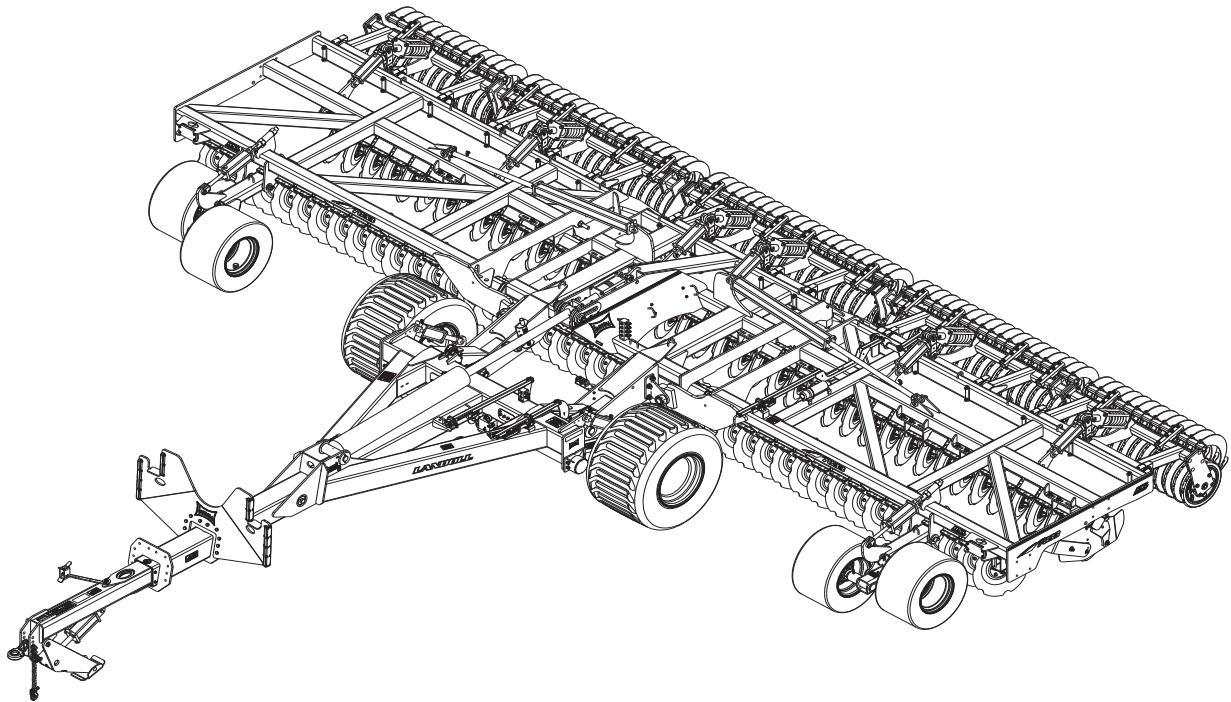




**Model 7833  
High Speed Landoll (HSL)  
Parts Manual**



**LANDOLL COMPANY, LLC**

1900 North Street

Marysville, Kansas 66508

(785) 562-5381

800-428-5655 ~ [WWW.LANDOLL.COM](http://WWW.LANDOLL.COM)

# Instructions for Ordering Parts

**\*\* Repair parts must be ordered through an Authorized Dealer \*\***

## DEALER INSTRUCTIONS FOR ORDERING PARTS FROM LANDOLL PARTS DISTRIBUTION CENTER

Phone #: 800-423-4320 or 785-562-5381

Fax #: 888-527-3909

Order online: [dealer.landoll.com](http://dealer.landoll.com)

### IDENTIFICATION PLATE

The identification plate, which lists the model number and serial number, is located on the front of the frame.

### SERIAL NUMBER

The serial number is located on the identification plate.



### Identification Plate and Location

### Manuals for 7833 HSL

Manual Number	Manual Type
F-894	7833 HSL Operator's Manual
F-895	7833 HSL Parts Manual



# Table of Contents

---

<b>1</b>	<b>Decals</b>	
	Decal Placement . . . . .	1-1
<b>2</b>	<b>Center Frames &amp; Assemblies</b>	
	Center Section Frame Assembly, 25' & 30' (BEFORE 12/08/2020) . . . . .	2-1
	Center Section Frame Assembly, 25' & 30' (AFTER 12/08/2020) . . . . .	2-4
	Center Section Frame Assembly, 35' & 40' (BEFORE 12/08/2020) . . . . .	2-8
	Center Section Frame Assembly, 35' & 40' (AFTER 12/08/2020) . . . . .	2-11
	Bracket Spring Assembly . . . . .	2-14
<b>3</b>	<b>Wing Frames &amp; Assemblies</b>	
	25' Left Wing Frame Assembly . . . . .	3-1
	30' Left Wing Frame Assembly . . . . .	3-5
	35' Left Wing Frame Assembly . . . . .	3-9
	40' Left Wing Frame Assembly . . . . .	3-13
	Blade Leveler Assembly . . . . .	3-16
<b>4</b>	<b>Spindle &amp; Hub</b>	
	Spindle & Hub, 8 Bolt (BEFORE 02/01/2020) . . . . .	4-1
	Spindle & Hub, 8 Bolt (AFTER 02/01/2020) . . . . .	4-2
	Spindle & Hub, 10 Bolt (BEFORE 05/27/2020) . . . . .	4-3
	Spindle & Hub, 10 Bolt (AFTER 05/27/2020) . . . . .	4-4
<b>5</b>	<b>Tires and Wheels</b>	
	Transport Tire and Wheel . . . . .	5-1
	Gauge Tire and Wheel . . . . .	5-2
<b>6</b>	<b>Wing Gauge</b>	
	Wing Gauge Assembly . . . . .	6-1
	Depth Control Tube Assembly (USED ON WING ASSEMBLY) . . . . .	6-3
	Walking Beam Assembly . . . . .	6-4
<b>7</b>	<b>Hitch Assembly</b>	
	Hitch Assembly, 25' & 30' . . . . .	7-1
	Hitch Assembly, 35' & 40' . . . . .	7-5
	Hitch Components . . . . .	7-9
	Depth Control Tube Assembly (USED ON HITCH ASSEMBLY) . . . . .	7-11
	Tilt Stop Assembly . . . . .	7-12
<b>8</b>	<b>Center Section (Front) Disc Assemblies</b>	
	Center Section (Front) Disc Assemblies . . . . .	8-1
<b>9</b>	<b>Center Section (Rear) Gang Assemblies</b>	
	Center Section (Rear) Gang Assemblies . . . . .	9-1

<b>10</b>	<b>Left Wing (Front) Disc Assemblies</b>	
	Left Wing (Front) Disc Assemblies .....	10-1
<b>11</b>	<b>Left Wing (Rear) Gang Assemblies</b>	
	25' Gang Assemblies (Left Wing - Rear) .....	11-1
	30' Gang Assemblies (Left Wing - Rear) .....	11-3
	35' Gang Assemblies (Left Wing - Rear) .....	11-5
	40' Gang Assemblies (Left Wing - Rear) .....	11-7
<b>12</b>	<b>Right Wing (Front) Disc Assemblies</b>	
	Right Wing (Front) Disc Assemblies .....	12-1
<b>13</b>	<b>Right Wing (Rear) Gang Assemblies</b>	
	25' Gang Assemblies (Right Wing - Rear) .....	13-1
	30' Gang Assemblies (Right Wing - Rear) .....	13-3
	35' Gang Assemblies (Right Wing - Rear) .....	13-5
	40' Gang Assemblies (Right Wing - Rear) .....	13-7
<b>14</b>	<b>Left Hand - Front Disc Assemblies</b>	
	Compound Angle Shank Assembly (LH Front) (BEFORE 03/01/2019) .....	14-1
	Compound Angle Shank Assembly (LH Front) (AFTER 03/01/2019) .....	14-2
	Vertical Shank Assembly (LH Front) (BEFORE 03/01/2019) .....	14-3
	Vertical Shank Assembly (LH Front) (AFTER 03/01/2019) .....	14-4
	Hybrid Shank Assembly (LH Front) (BEFORE 03/01/2020) .....	14-5
	Hybrid Shank Assembly (LH Front) (AFTER 03/01/2019) .....	14-6
	Disc Hub Assembly .....	14-7
<b>15</b>	<b>Right Hand - Rear Disc Assemblies</b>	
	Compound Shank Assembly (RH Rear) (BEFORE 03/01/2019) .....	15-1
	Compound Shank Assembly (RH Rear) (AFTER 03/01/2019) .....	15-2
	Compound Shank Assembly 22" (RH) .....	15-3
	Vertical Shank Assembly (RH Rear) (BEFORE 03/01/2019) .....	15-4
	Vertical Shank Assembly (RH Rear) (AFTER 03/01/19) .....	15-5
	Vertical Shank Assembly 22" (RH) .....	15-6
	Hybrid Shank Assembly (RH Rear) (BEFORE 03/01/2019) .....	15-7
	Hybrid Shank Assembly (RH Rear) (AFTER 03/01/2019) .....	15-8
	Hybrid Shank Assembly, 22" (RH) .....	15-9
<b>16</b>	<b>Scraper and Blade Assembly</b>	
	Scraper and Blade Assembly .....	16-1
<b>17</b>	<b>Hydraulics</b>	
	Hitch Hydraulics Adapter Kit (BEFORE 03/01/2018) .....	17-1
	Hitch Hydraulics Adapter Kit (AFTER 03/01/2018) .....	17-3
	Center Section Hydraulic Kit (BEFORE 03/01/2018) .....	17-5
	Center Section Hydraulic Kit (AFTER 03/01/2018) .....	17-6
	25' Hydraulic Diagram (BEFORE 03/01/2018) .....	17-7
	25' Hydraulic Diagram (AFTER 03/01/2018) .....	17-13

30' Hydraulic Diagram (BEFORE 03/01/2018) .....	17-19
30' Hydraulic Diagram (AFTER 03/01/2018) .....	17-25
35' Hydraulic Diagram (BEFORE 03/01/2018) .....	17-31
35' Hydraulic Diagram (AFTER 03/01/2018) .....	17-37
40' Hydraulic Diagram (BEFORE 03/01/2018) .....	17-43
40' Hydraulic Diagram (AFTER 03/01/2018) .....	17-49
Hydraulic Cylinder, 4.5" X 8" - 145200 .....	17-56
Hydraulic Cylinder, 4" X 8" - 145201 .....	17-57
Hydraulic Cylinder, 3.75" X 8" - 145202 .....	17-58
Hydraulic Rephase Cylinder, 10" .....	17-59
Hydraulic Cylinder, 3.5" X 10" - 201292 .....	17-61
Hydraulic Cylinder, 4.5" X 8" - 177389 .....	17-62
Hydraulic Cylinder, 4" X 48" - 201347 .....	17-63
Hydraulic Cylinder, 7" X 60" (25' & 30') - 187436 .....	17-64
Hydraulic Cylinder, 8" X 60" (35' & 40') - 199920 .....	17-65
Hydraulic Cylinder, 4.5" X 10" - 223374 .....	17-66

## 18 Electrical

Wiring Diagram .....	18-1
----------------------	------

## 19 Reel Mounts & Extensions (Rubber Roller & Single Chevron)

Reel Mount Plate Assemblies .....	19-1
Reel Mount Extension Assemblies (BEFORE 03/01/2018) .....	19-2
25' Reel Mount Extension Assemblies (AFTER 03/01/2018) .....	19-3
30' Reel Mount Extension Assemblies (AFTER 03/01/2018) .....	19-4
35' Reel Mount Extension Assemblies (AFTER 03/01/2018) .....	19-5
40' Reel Mount Extension Assemblies (AFTER 03/01/2018) .....	19-6

## 20 Rubber Roller Assemblies

25' Rubber Roller Assembly (BEFORE 03/01/2018) .....	20-1
30' Rubber Roller Assembly (BEFORE 03/01/2018) .....	20-3
35' Rubber Roller Assembly (BEFORE 03/01/2018) .....	20-5
40' Rubber Roller Assembly (BEFORE 03/01/2018) .....	20-7
25' Rubber Roller Assembly (AFTER 03/01/2018) .....	20-9
30' Rubber Roller Assembly (AFTER 03/01/2018) .....	20-11
35' Rubber Roller Assembly (AFTER 03/01/2018) .....	20-13
40' Rubber Roller Assembly (AFTER 03/01/2018) .....	20-15

## 21 Single Chevron Reel Assemblies

25' Single Chevron Reel Assembly (BEFORE 03/01/2018) .....	21-1
30' Single Chevron Reel Assembly (BEFORE 03/01/2018) .....	21-2
35' Single Chevron Reel Assembly (BEFORE 03/01/2018) .....	21-3
40' Single Chevron Reel Assembly (BEFORE 03/01/2018) .....	21-4
25' Single Chevron Reel Assembly (AFTER 03/01/2018) .....	21-5
30' Single Chevron Reel Assembly (AFTER 03/01/2018) .....	21-6
35' Single Chevron Reel Assembly (AFTER 03/01/2018) .....	21-7
40' Single Chevron Reel Assembly (AFTER 03/01/2018) .....	21-8
Double Tine Kit .....	21-9



**22 Spring Reel Assemblies**

25' Spring Reel Assembly (BEFORE 03/01/2018) .....	22-1
30' Spring Reel Assembly (BEFORE 03/01/2018) .....	22-2
35' Spring Reel Assembly (BEFORE 03/01/2018) .....	22-3
40' Spring Reel Assembly (BEFORE 03/01/2018) .....	22-4
25' Spring Reel Assembly (AFTER 03/01/2018) .....	22-5
30' Spring Reel Assembly (AFTER 03/01/2018) .....	22-6
35' Spring Reel Assembly (AFTER 03/01/2018) .....	22-7
40' Spring Reel Assembly (AFTER 03/01/2018) .....	22-8
Spring Reel Assembly, Center - 192504 .....	22-9
Spring Reel Assembly, 64.75 .....	22-10
Spring Reel Assembly, 94.375 .....	22-11
Spring Reel Assembly, Center - 197345 .....	22-12
Spring Reel Assembly, Intermed .....	22-13
Spring Reel Assembly, 135 .....	22-14
Spring Reel Mount Assemblies (BEFORE 03/01/2018) .....	22-15
Spring Reel Mount Assembly (AFTER 03/01/2018) .....	22-16
Spring Reel Mount Extension Assemblies (BEFORE 03/01/2018) .....	22-17
Spring Reel Mount Extension Assemblies (AFTER 03/01/2018) .....	22-18

**23 Glossary**

**24 Index**



# Decals

## Decal Placement

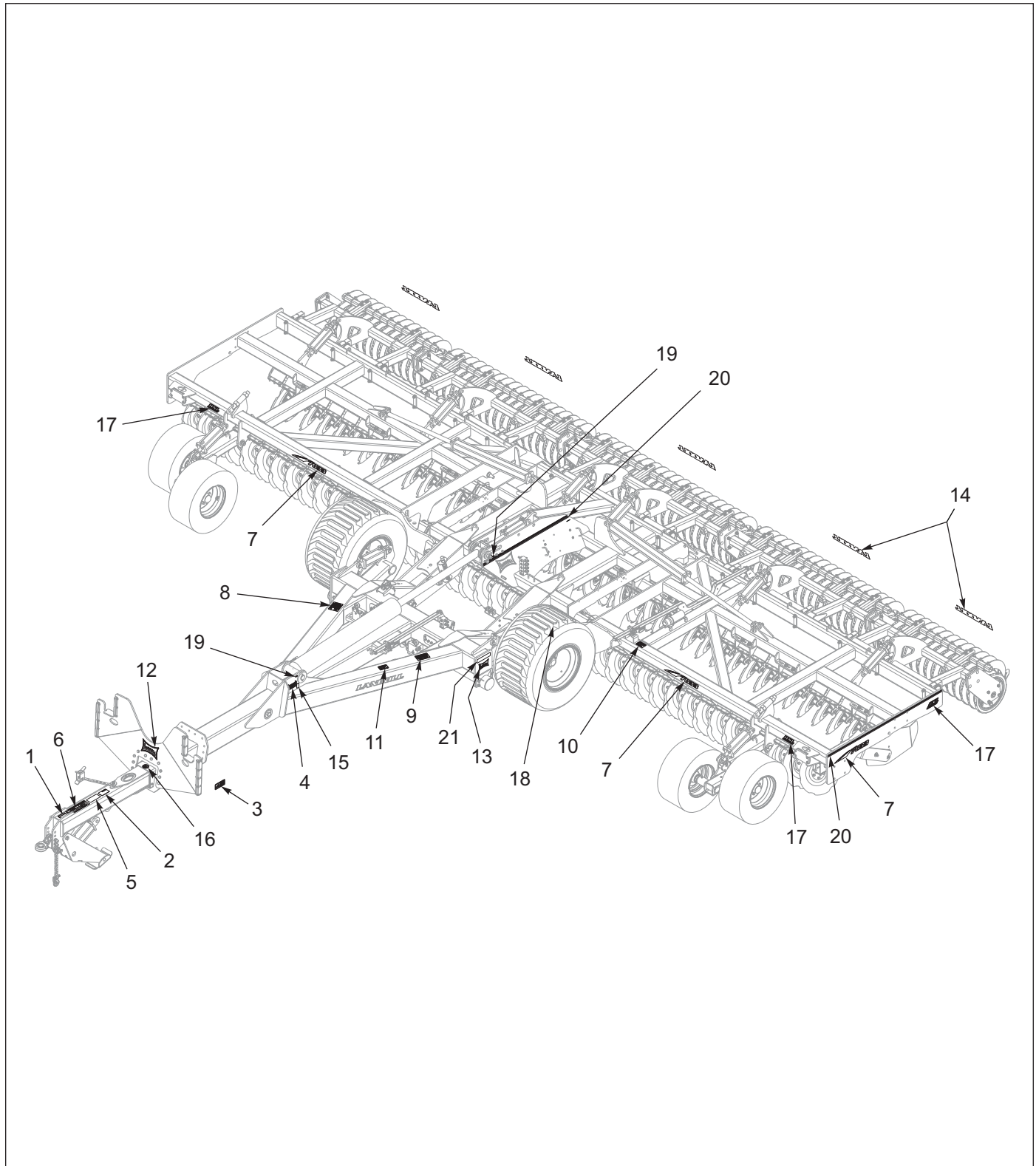


Figure 1-1: Decal Placement (1 of 2)



<p><b>HOSE IDENTIFICATION</b></p> <p><b>BLUE</b> - FRONT GAUGE WHEELS</p> <p><b>BLACK</b> - REAR GAUGE</p> <p><b>YELLOW</b> - WING FOLD</p> <p><b>RED</b> - MACHINE TILT 191735</p>	<p>BEFORE 03/01/2018</p> <p><b>DRAFT COMP CONTROL</b></p> <ul style="list-style-type: none"> <li>• PLUG CIRCUIT INTO TRACTOR ONLY TO ADJUST PRESSURE, OTHERWISE LEAVE UNPLUGGED</li> <li>• ADJUST PRESSURE WHEN DRAFT COMP CYLINDER IS FULLY EXTENDED</li> <li>• KEEP "VALV" TURNED "OFF" TYPICALLY</li> <li>• ADJUST PRV VALVE AS NEEDED</li> <li>• SUGGESTED PRESSURE:             <ul style="list-style-type: none"> <li>• 7833-25, 1100 PSI</li> <li>• 7833-30, 1300 PSI</li> <li>• 7833-35, 1500 PSI</li> <li>• 7833-40, 1700 PSI</li> </ul> </li> <li><b>NEVER EXCEED 2000 PSI</b></li> </ul>	<p><b>LANDOLL</b></p>
<p>1</p>	<p>8</p>	<p>14</p>
<p><b>DANGER</b></p> <p><b>ELECTROCUTION HAZARD</b></p> <p>To prevent serious injury or death:</p> <p>*Stay away from power lines when transporting, unloading or filling implement.</p> <p>*Electrocution can occur without contacting power lines.</p>	<p>AFTER 03/01/2018</p> <p><b>TILT-CONTROL</b></p> <ul style="list-style-type: none"> <li>• <b>IF TRACKING LEFT;</b> TURN CRANK CCW RAISING THE REAR RELATIVE TO THE FRONT</li> <li>• <b>IF TRACKING RIGHT;</b> TURN CRANK CW LOWERING THE REAR RELATIVE TO THE FRONT</li> <li>• <b>8 ROUNDS PER 1 INCH</b></li> </ul>	<p>MEMBER</p> <p>FEMA FARM EQUIPMENT MANUFACTURERS ASSOCIATION</p>
<p>2</p>	<p>8</p>	<p>15</p>
<p><b>DANGER</b></p> <p>STAND CLEAR OF WINGS WHILE FOLDING/UNFOLDING. CHARGE HYDRAULIC FOLD CYLINDERS WITH HYDRAULIC OIL BEFORE ATTEMPTING TO FOLD OR UNFOLD WINGS.</p>	<p><b>WING DOWN PRESSURE CONTROL</b></p> <ul style="list-style-type: none"> <li>• ADJUST WING FOLD CIRCUIT (YELLOW) AT TRACTOR AFTER UNFOLDING TO 20%</li> <li>• MAINTAIN FLOW DURING FIELD OPERATION</li> <li>• ADJUST PRV VALVE AS NEEDED:</li> <li>• 7833-25, 450 PSI</li> <li>• 7833-30, 850 PSI</li> <li>• 7833-35, 875 PSI</li> <li>• 7833-40, 1150 PSI</li> <li><b>NEVER EXCEED 1500 PSI</b></li> </ul>	
<p>3</p>	<p>9</p>	<p>16</p>
<p><b>LANDOLL</b> Landoll Company, LLC Marysville, Kansas www.landoll.com</p> <p>MODEL # [REDACTED]</p> <p>SERIAL # [REDACTED]</p> <p>MADE IN USA 1-573-010006</p>	<p><b>REAR ROLLER DOWN PRESSURE</b></p> <p>☺ = INCREASES DOWN PRESSURE</p> <p>☹ = DECREASES DOWN PRESSURE</p> <p>4 ROUNDS - 1 INCH</p>	<p><b>HSL</b></p>
<p>4</p>	<p>10</p>	<p>17</p>
<p><b>WARNING</b></p> <ol style="list-style-type: none"> <li>BEFORE OPERATING - STUDY OPERATORS MANUAL SAFETY MESSAGES AND SAFE OPERATING PROCEDURES. READ SAFETY SIGNS ON THIS MACHINE.</li> <li>TRANSPORT ON PUBLIC ROADS - OBSERVE FEDERAL, STATE, AND LOCAL REGULATIONS. DISPLAY SMV EMBLEM; ATTACH PROPER STRENGTH IMPROVED SAFETY CHAIN; AND LIMIT MAXIMUM SPEED TO 20mpg (32km/h).</li> <li>LOWER OR BLOCK ALL ELEVATED COMPONENTS BEFORE SERVICING OR LEAVING THIS MACHINE.</li> </ol>	<p><b>FRONT DEPTH CONTROL</b></p> <p>☺ = ↑ SHALLOW</p> <p>☹ = ↓ DEEP</p> <p>4 ROUNDS = 1 INCH</p>	<p>10 HOURS</p>
<p>5</p>	<p>11</p>	<p>18</p>
<p><b>TORQUE SPECIFICATIONS FOR PILOT MOUNTED DISC WHEELS</b></p> <p><b>DANGER</b></p> <p>LANDOLL RECOMMENDS THE USE OF TORQUE WRENCHES TO PREVENT OVER-TIGHTENING AND UNDER-TIGHTENING OF WHEEL NUTS. OVER-TIGHTENING CAN CAUSE WHEEL NUTS TO CRACK OR STRIP, WHICH CAN CAUSE WHEELS TO LOOSELY FIT ON AXLES. UNDER-TIGHTENING CAN CAUSE WHEELS TO LOOSELY FIT ON AXLES, WHICH CAN CAUSE WHEELS TO VIBRATE AND WEAR AXLES. ALWAYS USE THE CORRECT TORQUE WRENCH AND TORQUE SPECIFICATIONS FOR YOUR MACHINE. ALWAYS WEAR YOUR SAFETY BELT AND SEATBELT. ALWAYS WEAR YOUR SAFETY GLASSES. ALWAYS WEAR YOUR SAFETY SHOES. ALWAYS WEAR YOUR SAFETY VEST. ALWAYS WEAR YOUR SAFETY HAT. ALWAYS WEAR YOUR SAFETY GLOVES. ALWAYS WEAR YOUR SAFETY BOOTS. ALWAYS WEAR YOUR SAFETY Goggles. ALWAYS WEAR YOUR SAFETY Goggles. ALWAYS WEAR YOUR SAFETY Goggles.</p>	<p><b>LANDOLL</b> MARYSVILLE, KANSAS</p>	<p>50 HOURS</p>
<p>6</p>	<p>12</p>	<p>19</p>
<p><b>7833</b></p>	<p><b>LANDOLL</b> MARYSVILLE, KANSAS</p>	
<p>7</p>	<p>13</p>	
		<p>20</p>
		<p>21</p>
		<p>22</p>
		<p>23</p>

Figure 1-2: Decal Placement (2 of 2)

## Decal Placement

ITEM	PART NUMBER	DESCRIPTION	QTY.
1	191735	DECAL-7831 HOSE IDENTIFICATION	1
2	141597	DECAL, DANGER ELECTROCUTION	1
3	2-573-010037	DECAL, DANGER, WING	2
4	1-573-010006	PLACARD, NAME	1
5	8-573-010084	DECAL WARNING BEFORE OPERATG	1
6	3-573-010210	DECAL TORQUE SPEC 8-10STU HUB	3
7	201317	DECAL, MODEL 7833	4
8	203446	DECAL-DRAFT CMPND CONTROL 7833	1
8	210882	DECAL, TILT CONTROL	1
9	203445	DECAL-WING DOWN PRESSURE, 7833	1
10	210883	DECAL-DEPTH CONTROL,REAR 7830	1
11	203443	DECAL-DEPTH CONTROL,FRONT 7830	1
12	144351	DECAL, BLACK BOW-TIE	3
13	141259	DECAL, LANDOLL, YELLOW	2
14	141260	DECAL, LANDOLL	5
15	2-573-010198	DECAL, MEMBER FEMA	1
16	144193	DECAL, SIS 20 MPH	1
17	188810	DECAL, HSL	4
18	2-573-010330-02	DECAL, LUBRICATION 10 HOURS	4
19	2-573-010330-03	DECAL, LUBRICATION 50 HOURS	4
20	161515	DECAL, STRIPE 1" X 84"	4
21	528934	REFLECTOR - YELLOW	2
22	528933	REFLECTOR - RED	2
23	528938	STRIPE, ORANGE	2





# Center Frames & Assemblies

## Center Section Frame Assembly, 25' & 30' (BEFORE 12/08/2020)

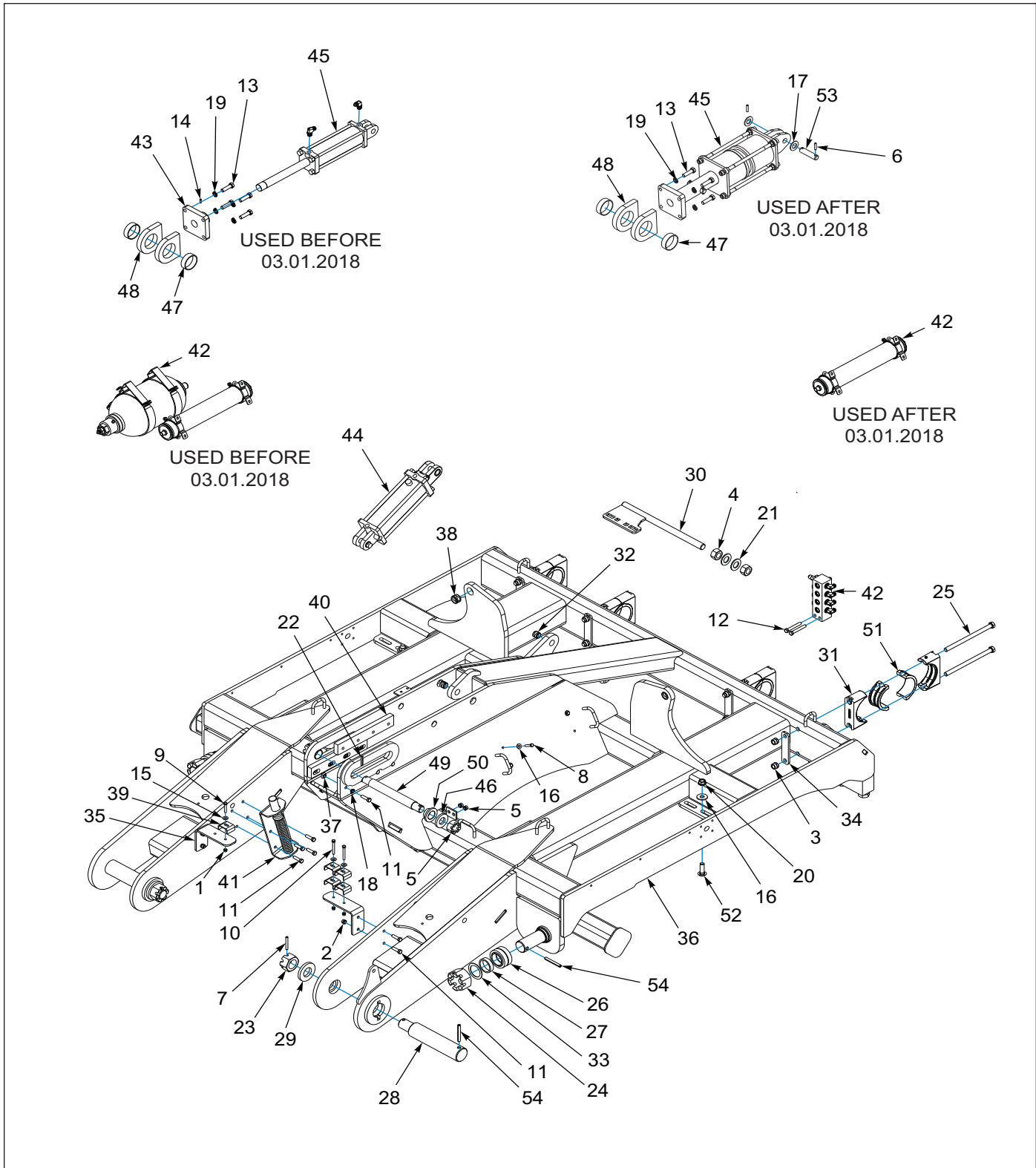


Figure 2-1: Center Section Frame Assembly, 25' & 30' (BEFORE 12/08/2020)

## Center Section Frame Assembly, 25' & 30' (BEFORE 12/08/2020)

ITEM	PART NUMBER	DESCRIPTION	QTY.
1	1-512-010005-05	NUT, HEX, SLFLKG GRB 3/8-16	7
2	1-512-010005-09	NUT,HEX,SLFLKG, 1/2-13 GRB	10
3	1-512-010005-15	NUT,HEX,SLFLKG GRB 3/4-10	8
4	1-512-010007-16	NUT,HEX 1-1/4-7, ZP	2
5	1-516-010001-27	NUT,HX SLOT 1-1/2-6 ZP	2
6	1-647-010004236	SPRING PIN, SLOTTED, 5/16 X 1-1/2	2
7	1-647-010004259	SPRING PIN, SLOTTED 3/8X3	2
8	1-654-010051-08	SCREW, HEX CAP, 3/8-16 X 1-3/4 G	4
9	1-654-010051-09	SCREW,HEX CAP,3/8-16UNCX2 GR5	1
10	1-654-010051-13	SCREW,HX CP,3/8-16UNCX3,GR5	2
11	1-654-010055-04	SCREW,HEX CAP,1/2-13UNCX1-3/4	16
12	1-654-010055-11	SCREW,HX CP 1/2-13UNCX3-1/2	2
13	1-654-010059-06	SCREW,HEX CAP 5/8-11X2-1/4 G5	4
14	1-654-010077-2	SCREW, SET, 1/4 X 3/4, SQHD CP PT	1
15	1-861-010032-11	WASHER, FLAT 3/8 W ZP/CD	9
16	1-861-010032-21	WASHER, FLAT 3/4 W ZP/CD	12
17	1-861-010032-24	WASHER, FLAT, 1IN NARROW ZP	2
18	1-861-010034-13	WASHER, LKG HLCL SPR, 1/2	8
19	1-861-010034-15	WASHER, LKG,HLCL SPR,5/8	4
20	103841	NUT,FLG,LNK,SERRATED 3/4-10UNC	12
21	116100	WASHER 1-1/4 NAR FL ZP/CD	2
22	127712	PIN SPRING SLOTTED 3/8X2-1/4	2
23	172891	NUT HX SLOT 2-4-1/2 ZP	2
24	172892	NUT HX SLOT 2-1/2-4 ZP	2
25	172919	SCREW HX CP,3/4-10X12 GR8 ZP	8
26	186592	BUSHING, SELF ALIGNING 2-1/2	2
27	187227	SPACER PIVOT	2
28	187316	PIN-STEP, 11-3/4 X 3	2
29	187317	WASHER-HEAVY, 4X2X1/2	2
30	187631	BRACKET, GANG ADJUSTMENT, 12-1/2, WLDMT	1
30	195279	BRACKET, GANG ADJUSTMENT, 8-1/2, WLDMT	1
31	188038	BRG HALF, 4-1/2 INSERT	8
32	192890	BUSHING 1-3/8OD X 1 ID X 1 STEEL	3
33	192946	WASHER, 2-9/16 X 3-1/2, SS	2
34	195115	PLATE-BACKER, BEARING	4
35	195283	PLATE-HOSE HOLDER MOUNT	2
36	198934	FRAME WLDMT CENTER SECTION	1
37	1C380	NUT SQ 1/2-13NC	8
38	2-150-010174	BUSHING,1-5/8X1-1/4X1	2
39	2-181-010001	HOSE CLAMP	5
40	200793	GLIDE CYLINDER	2
41	201197	BRACKET-SPRING, ASSEMBLY (SEE PAGE 2-14)	1
42	201227	KIT, HYDRAULIC CENTER SECTION (SEE PAGE 17-6)	1
43	201270	MOUNT WLDMT CLEVIS CYLINDER	1
44	145201	CYLINDER 4 X 8 REPHASE (BEFORE 01/03/2020) (SEE PAGE 17-57)	2
44	201275	CYLINDER, 4 X 10 REPHASE (AFTER 01/03/2020) (SEE PAGE 17-59)	2
45	201292	CYLINDER-HYD,3-1/2 X10,3000PSI (BEFORE 03/01/2018) (SEE PAGE 17-61)	1
45	209373	SPRING,TILT CYLINDER, ASSEMBLY (AFTER 03/01/2018)	1

---

**Center Section Frame Assembly, 25' & 30' (BEFORE 12/08/2020)**

---

<b>ITEM</b>	<b>PART NUMBER</b>	<b>DESCRIPTION</b>	<b>QTY.</b>
46	203399	WASHER-RETAINING, 1-1/2	2
47	203433	BEARING-EWS, 3.02 X 3.254 X 1	2
48	203454	PLATE YOKE BUSHING	2
49	217942	PIN-MAST, 7833-25, 30	1
50	217943	BUSHING-FLANGED, 1-3/4 X 2	2
51	2P793	BRG INSERT, 4 1/2 INSERT	8
52	3/4-10X2-1/2CB	SCREW,RDH SQNK 3/4-10X2-1/2	12
53	8K047	PIN, 1 X 4 1/16	1
54	8K756	ROLL PIN 1/2 x 4	2



# Center Section Frame Assembly, 25' & 30' (AFTER 12/08/2020)

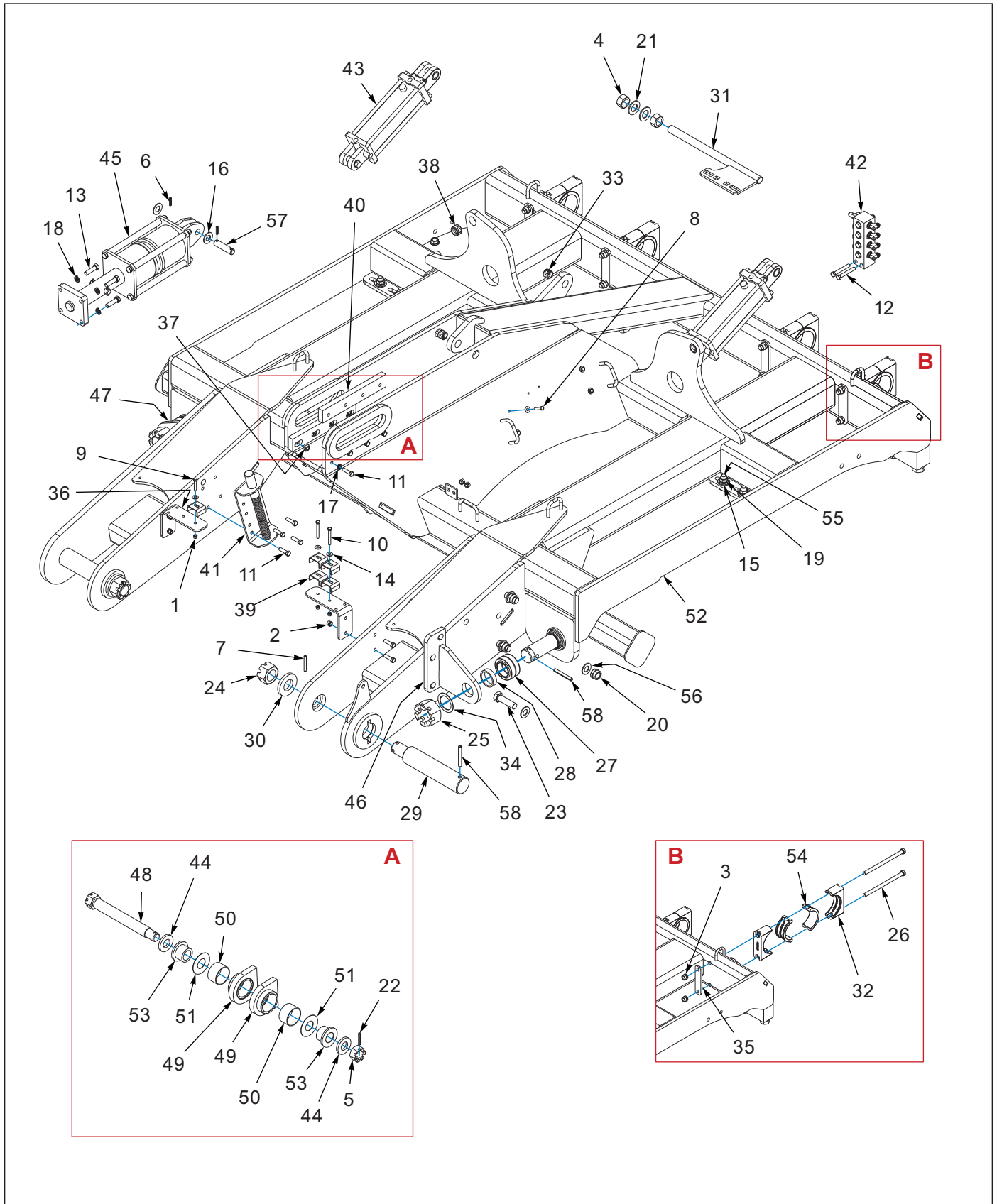


Figure 2-2: Center Section Frame Assembly, 25' & 30' (AFTER 12/08/2020) (1 of 2)

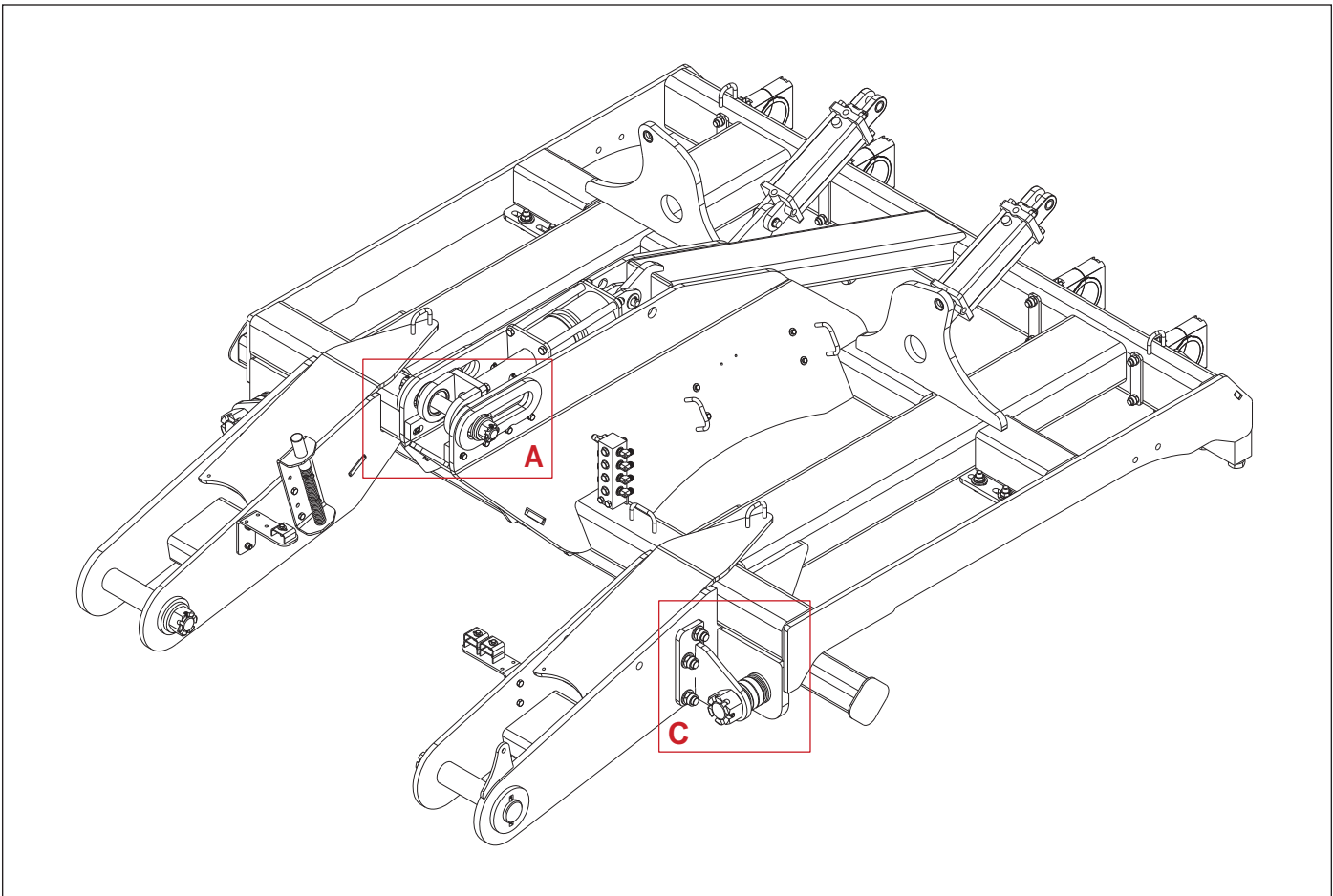


Figure 2-3: Center Section Frame Assembly, 25' & 30' (AFTER 12/08/2020) (2 of 2)

### Center Section Frame Assembly - 25' & 30' (AFTER 12/08/2020)

ITEM	PART NUMBER	DESCRIPTION	QTY.
1	1-512-010005-05	NUT, HEX, SLFLKG GRB 3/8-16	7
2	1-512-010005-09	NUT,HEX,SLFLKG, 1/2-13 GRB	10
3	1-512-010005-15	NUT,HEX,SLFLKG GRB 3/4-10	8
4	1-512-010007-16	NUT,HEX 1-1/4-7 GR2 ZP	2
5	1-516-010001-27	NUT,HX SLOT 1-1/2-6 ZP	2
6	1-647-010004236	SPRING PIN,SLOTTED 5/16X1-1/2	2
7	1-647-010004259	SPRING PIN, SLOTTED 3/8X3	2
8	1-654-010051-08	SCREW,HEX CAP,3/8-16X1-3/4 G5	4
9	1-654-010051-09	SCREW,HEX CAP,3/8-16UNCX2 GR5	1
10	1-654-010051-13	SCREW,HX CP,3/8-16UNCX3,GR5	2
11	1-654-010055-04	SCREW,HEX CAP,1/2-13UNCX1-3/4	16
12	1-654-010055-11	SCREW,HX CP 1/2-13UNCX3-1/2	2
13	1-654-010059-06	SCREW,HEX CAP 5/8-11X2-1/4 G5	4
14	1-861-010032-11	WASHER, FLAT 3/8 W ZP/CD	11
15	1-861-010032-21	WASHER, FLAT 3/4 W ZP/CD	12
16	1-861-010032-24	WASHER FL 1IN NARROW ZP	2
17	1-861-010034-13	WASHER, LKG HLCL SPR, 1/2	8
18	1-861-010034-15	WASHER,LKG,HLCL SPR,5/8	4
19	103841	NUT,FLG,LNK,SERRATED 3/4-10UNC	12
20	114462	NUT,HEX SLFLKG 1-8 UNC GRC	6

## Center Section Frame Assembly - 25' & 30' (AFTER 12/08/2020)

ITEM	PART NUMBER	DESCRIPTION	QTY.
21	116100	WASHER 1-1/4 NAR FL ZP/CD	2
22	127712	PIN SPRING SLOTTED 3/8X2-1/4	2
23	172579	SCREW HEX CAP 1-8UNCX3.5 GR8	6
24	172891	NUT HX SLOT 2-4-1/2 ZP	2
25	172892	NUT HX SLOT 2-1/2-4 ZP	2
26	172919	SCREW HX CP,3/4-10X12 GR8 ZP	8
27	186592	BUSHING, SELF ALIGNING 2-1/2	2
28	187227	SPACER PIVOT	2
29	187316	PIN-STEP, 12 X 3	2
30	187317	WASHER-HEAVY, 4X2X1/2	2
31	187631	BRACKET-GANG ADJUSTMENT WLDMT	1
32	188038	BRG HALF, 4-1/2 INSERT	8
33	192890	BUSHING 1-3/8ODX1 IDX1 STEEL	3
34	192946	WASHER, 2-9/16 X 3-1/2, SS	2
35	195115	PLATE-BACKER, BEARING	4
36	195283	PLATE-HOSE HOLDER MOUNT	2
37	1C380	NUT SQ 1/2-13NC	8
38	2-150-010174	BUSHING,1-5/8X1-1/4X1	2
39	2-181-010001	HOSE CLAMP	5
40	200793	GLIDE CYLINDER	2
41	201197	BRACKET ASSY SPRING (SEE PAGE 2-14)	1
42	201227	KIT HYDRAULIC CENTER SECTION (SEE PAGE 17-6)	1
43	201275	CYLINDER, 4 X 10 REPHASE (SEE PAGE 17-59)	2
44	203399	WASHER RETAINING 1-1/2	2
45	209374	SPRING-TILT CYL, 90A-90A, ASSY	1
46	217197	BRACKET-SUPPORT,HINGE,LH,WELD	1
47	217198	BRACKET-SUPPORT,HINGE,RH,WELD	1
48	217942	PIN-MAST, 7833-25,30	1
49	227995	PLATE-YOKE, WLDMT	2
50	227996	BEARING-EWS,3.02 X 3.25 X 1.87	2
51	227997	WASHER,1.78X3-7/8X16GA SS	2
52	230834	FRAME-CENTER SECTION, WLDMT	1
53	230835	BUSHING-FLANGED, 1-3/4 X 2-1/2	2
54	2P793	BRG INSERT, 4 1/2 INSERT	8
55	3/4-10X2-1/2CB	SCREW,RDH SQNK 3/4-10X2-1/2	12
56	622-3511-010	WASHER, FLAT 1" MIL-CARB SAE	12
57	8K047	PIN - 1 X 4 1/16	1
58	8K756	ROLL PIN 1/2 x 4	4



# Center Section Frame Assembly, 35' & 40' (BEFORE 12/08/2020)

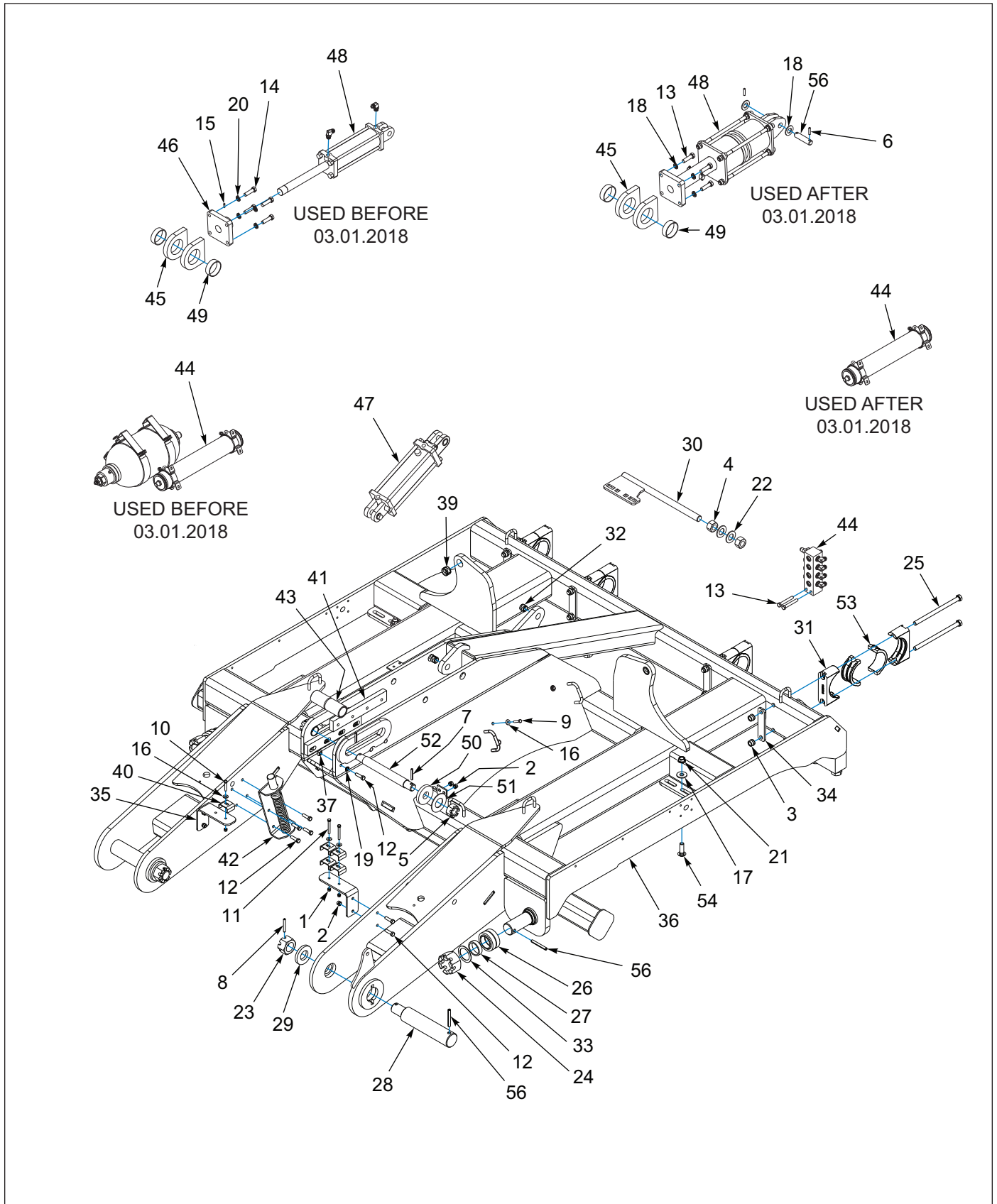


Figure 2-4: Center Section Frame Assembly, 35' & 40' (BEFORE 12/08/2020)

## Center Section Frame Assembly, 35' & 40' (BEFORE 12/08/2020)

ITEM	PART NUMBER	DESCRIPTION	QTY.
1	1-512-010005-05	NUT, HEX, SLFLKG, GRB 3/8-16	6
2	1-512-010005-09	NUT, HEX, SLFLKG, GRB 1/2-13	14
3	1-512-010005-15	NUT, HEX, SLFLKG, GRB 3/4-10	8
4	1-512-010007-16	NUT,HEX 1-1/4-7, ZP	2
5	1-516-010001-27	NUT, HEX SLOT 1-1/2-6 ZP	2
6	1-647-010004236	SPRING PIN, SLOTTED, 5/16 X 1-1/2	2
7	1-647-010004257	PIN SPRING SLOTTED 3/8X2-1/2	2
8	1-647-010004259	SPRING PIN, SLOTTED 3/8X3	2
9	1-654-010051-08	SCREW, HEX CAP, 3/8-16 X 1-3/4 G	3
10	1-654-010051-09	SCREW, HEX CAP,3/8-16UNCX2 GR5	1
11	1-654-010051-13	SCREW, HEX CAP,3/8-16UNCX3,GR5	2
12	1-654-010055-04	SCREW, HEX CAP,1/2-13UNCX1-3/4	16
13	1-654-010055-11	SCREW,HX CP 1/2-13UNCX3-1/2	2
14	1-654-010059-06	SCREW,HEX CAP 5/8-11X2-1/4 G5	4
15	1-654-010077-2	SCREW, SET, 1/4 X 3/4, SQHD CP PT	1
16	1-861-010032-11	WASHER, FLAT 3/8 W ZP/CD	9
17	1-861-010032-21	WASHER, FLAT 3/4 W ZP/CD	12
18	1-861-010032-24	WASHER, FLAT, 1IN NARROW ZP	2
19	1-861-010034-13	WASHER, LKG HLCL SPR, 1/2	8
20	1-861-010034-15	WASHER,LKG,HLCL SPR,5/8	4
21	103841	NUT, FLG, LNK, SERRATED 3/4-10 UNC	12
22	116100	WASHER 1-1/4 NAR FL ZP/CD	2
23	172891	NUT, HEX SLOT 2-4-1/2 ZP	2
24	172892	NUT, HEX SLOT 2-1/2-4 ZP	2
25	172919	SCREW, HEX CP,3/4-10X12 GR8 ZP	8
26	186592	BUSHING, SELF ALIGNING 2-1/2	2
27	187227	SPACER PIVOT	2
28	187316	PIN-STEP, 11-3/4 X 3	2
29	187317	WASHER-HEAVY, 4X2X1/2	2
30	187631	BRACKET, GANG ADJUSTMENT, 12-1/2, WLDMT	1
31	188038	BRG HALF, 4-1/2 INSERT	8
32	192890	BUSHING 1-3/8OD X 1 ID X 1 STEEL	3
33	192946	WASHER, 2-9/16 X 3-1/2, SS	2
34	195115	PLATE-BACKER, BEARING	4
35	195283	PLATE-HOSE HOLDER MOUNT	2
36	198934	FRAME WLDMT CENTER SECTION	1
37	1C380	NUT SQ 1/2-13NC	8
38	2-150-010008	BUSHING 1-1/4ODX1IDX1 STEEL	3
39	2-150-010174	BUSHING,1-5/8X1-1/4X1	2
40	2-181-010001	HOSE CLAMP	5
41	200755	GLIDE CYLINDER	2
42	201197	BRACKET-SPRING, ASSEMBLY (SEE PAGE 2-14)	1
43	201226	BUSHING, 2.50 X 2.015 X 7.75	1
44	201227	KIT, HYDRAULIC CENTER SECTION (SEE PAGE 17-5)	1
45	201256	PLATE YOKE BUSHING	2
46	201270	MOUNT WLDMT CLEVIS CYLINDER	1
47	201275	CYLINDER, 4 X 10 REPHASE (SEE PAGE 17-59)	2
48	201292	CYLINDER-HYD, 3-1/2 X10,3000 PSI (BEFORE 03/01/18) (SEE PAGE 17-61)	1

---

**Center Section Frame Assembly, 35' & 40' (BEFORE 12/08/2020)**

---

ITEM	PART NUMBER	DESCRIPTION	QTY.
48	209299	SPRING,TILT CYLINDER, ASSEMBLY (AFTER 03/01/18)	1
49	201323	BEARING-EWS, 4 X 4-1/4 X 1 (BEFORE 4/25/2017)	2
49	203497	BEARING-EWS, 4.02 X 4.255 X 1 (AFTER 4/25/2017)	2
50	203396	WASHER, RETAINING, 1.53X4X5/8	2
51	203398	WASHER, 2 X 4 X 10 GA SS	2
52	217940	PIN-MAST,	1
53	2P793	BRG INSERT, 4 1/2 INSERT	8
54	3/4-10X2-1/2CB	SCREW,RDH SQNK 3/4-10X2-1/2	12
55	8K047	PIN, 1 X 4 1/16	1
56	8K756	ROLL PIN 1/2 x 4	2



# Center Section Frame Assembly, 35' & 40' (AFTER 12/08/2020)

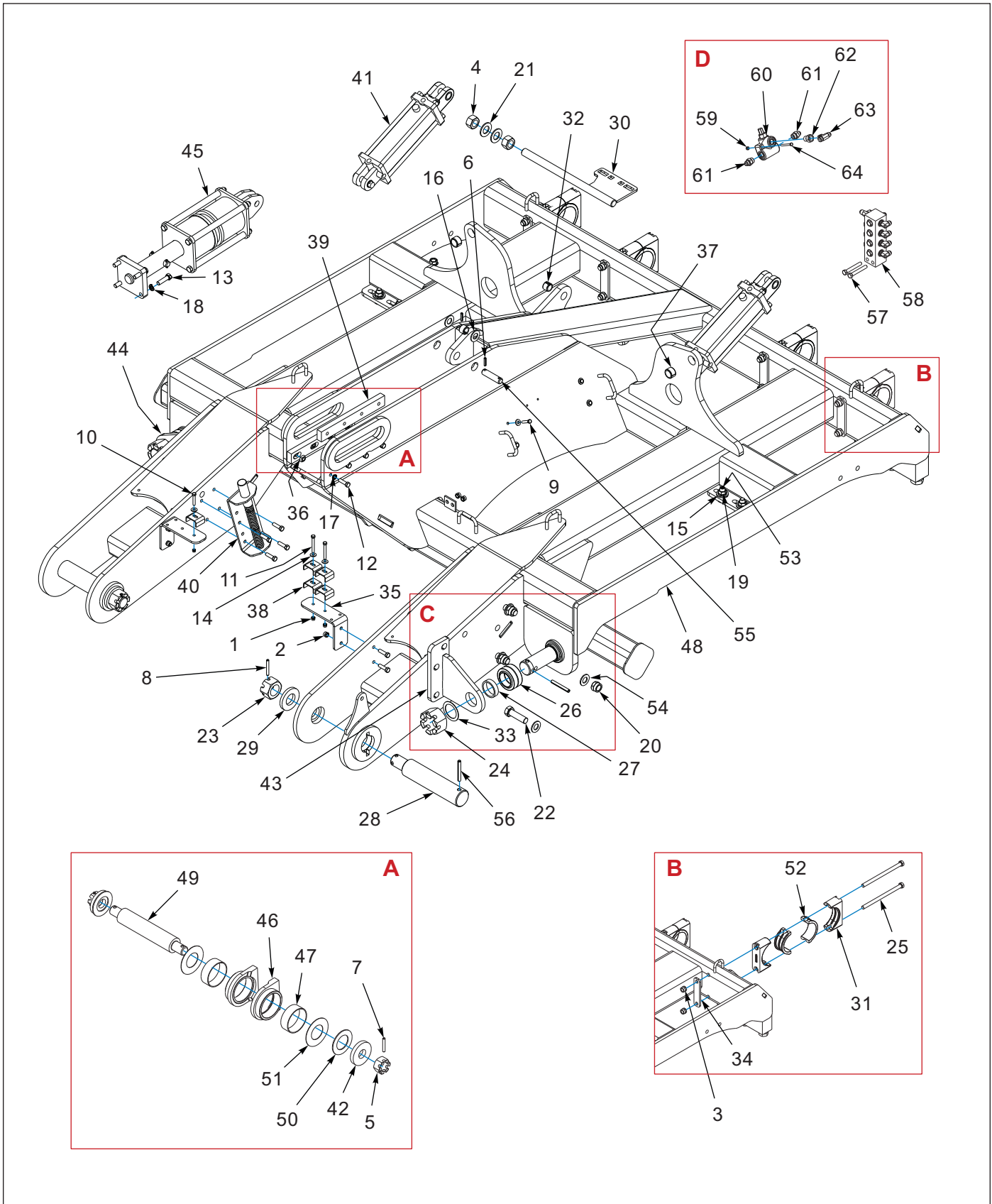


Figure 2-5: Center Section Frame Assembly, 35' & 40' (AFTER 12/08/2020) (1 of 2)

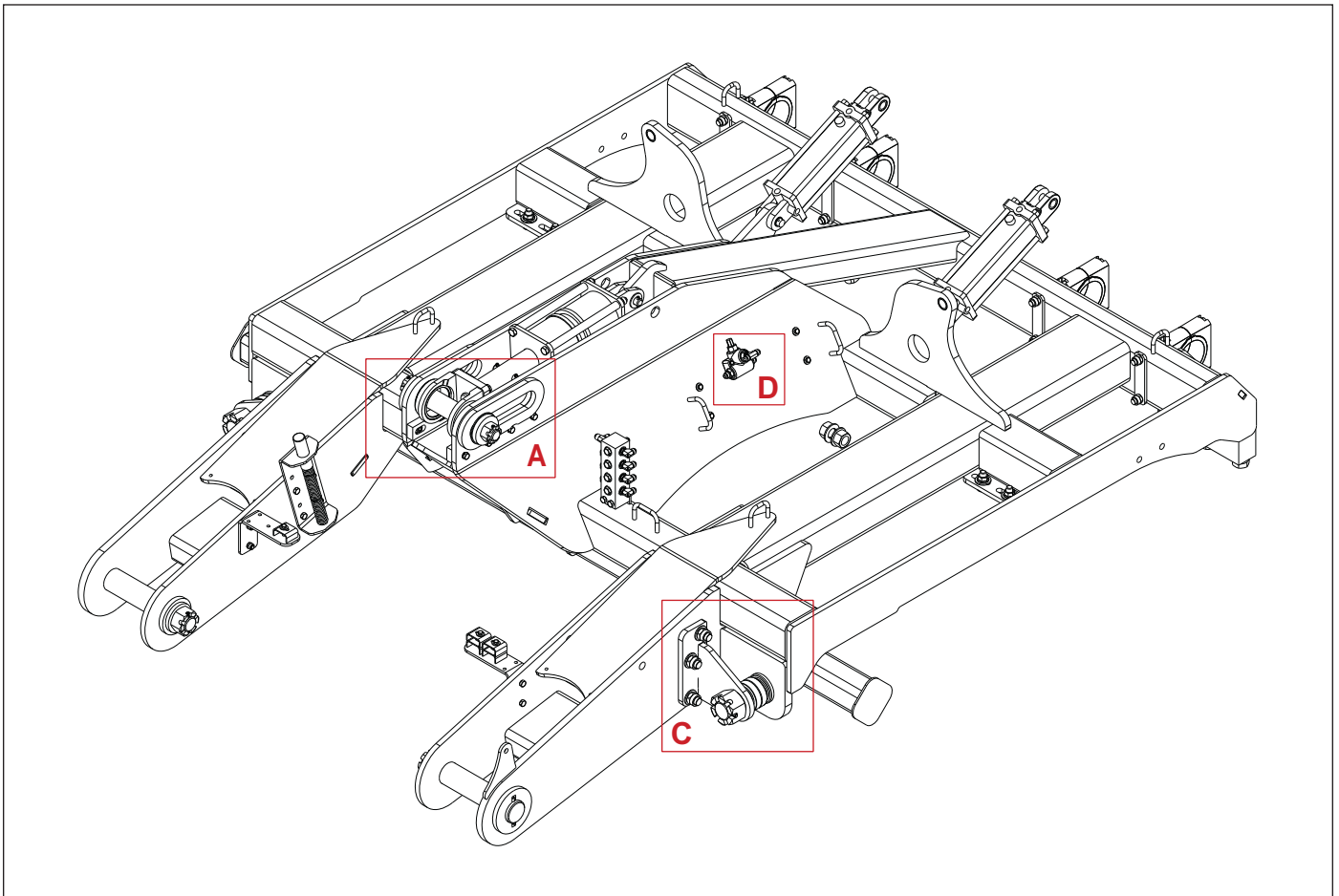


Figure 2-6: Center Section Frame Assembly, 35' & 40' (AFTER 12/08/2020) (2 of 2)

### Center Section Frame Assembly, 35' & 40' (AFTER 12/08/2020)

ITEM	PART NUMBER	DESCRIPTION	QTY.
1	1-512-010005-05	NUT, HEX, SLFLKG, GRB 3/8-16	6
2	1-512-010005-09	NUT, HEX, SLFLKG, GRB 1/2-13	10
3	1-512-010005-15	NUT, HEX, SLFLKG, GRB 3/4-10	8
4	1-512-010007-16	NUT,HEX 1-1/4-7, ZP	2
5	1-516-010001-27	NUT, HEX SLOT 1-1/2-6 ZP	2
6	1-647-010004236	SPRING PIN, SLOTTED, 5/16 X 1-1/2	2
7	1-647-010004257	PIN SPRING SLOTTED 3/8X2-1/2	2
8	1-647-010004259	SPRING PIN, SLOTTED 3/8X3	2
9	1-654-010051-08	SCREW,HEX CAP,3/8-16X1-3/4 GR	4
10	1-654-010051-09	SCREW, HEX CAP,3/8-16UNCX2 GR5	1
11	1-654-010051-13	SCREW, HEX CAP,3/8-16UNCX3,GR5	2
12	1-654-010055-04	SCREW, HEX CAP,1/2-13UNCX1-3/4	16
13	1-654-010059-06	SCREW,HEX CAP 5/8-11X2-1/4 G5	4
14	1-861-010032-11	WASHER, FLAT 3/8 W ZP/CD	10
15	1-861-010032-21	WASHER, FLAT 3/4 W ZP/CD	12
16	1-861-010032-24	WASHER, FLAT, 1IN NARROW ZP	2
17	1-861-010034-13	WASHER, LKG HLCL SPR, 1/2	8
18	1-861-010034-15	WASHER,LKG,HLCL SPR,5/8	4
19	103841	NUT, FLG, LNK, SERRATED 3/4-10 UNC	12
20	114462	NUT,HEX SLFLKG 1-8 UNC GRC	6

## Center Section Frame Assembly, 35' & 40' (AFTER 12/08/2020)

ITEM	PART NUMBER	DESCRIPTION	QTY.
21	116100	WASHER 1-1/4 NAR FL ZP/CD	2
22	172579	SCREW HEX CAP 1-8UNCX3.5 GR8	6
23	172891	NUT, HEX SLOT 2-4-1/2 ZP	2
24	172892	NUT, HEX SLOT 2-1/2-4 ZP	2
25	172919	SCREW, HEX CP,3/4-10X12 GR8 ZP	8
26	186592	BUSHING, SELF ALIGNING 2-1/2	2
27	187227	SPACER PIVOT	2
28	187316	PIN-STEP, 11-3/4 X 3	2
29	187317	WASHER-HEAVY, 4X2X1/2	2
30	187631	BRACKET, GANG ADJUSTMENT, 12-1/2, WLDMT	1
31	188038	BRG HALF, 4-1/2 INSERT	8
32	192890	BUSHING 1-3/8OD X 1 ID X 1 STEEL	3
33	192946	WASHER, 2-9/16 X 3-1/2, SS	2
34	195115	PLATE-BACKER, BEARING	4
35	195283	PLATE-HOSE HOLDER MOUNT	2
36	1C380	NUT SQ 1/2-13NC	8
37	2-150-010174	BUSHING,1-5/8X1-1/4X1	2
38	2-181-010001	HOSE CLAMP	5
39	200755	GLIDE CYLINDER	2
40	201197	BRACKET-SPRING, ASSEMBLY (SEE PAGE 2-14)	1
41	201275	CYLINDER, 4 X 10 REPHASE (SEE PAGE 17-59)	2
42	203396	WASHER, RETAINING, 1.53X4X5/8	2
43	217197	BRACKET-SUPPORT,HINGE,LH,WELD	1
44	217198	BRACKET-SUPPORT,HINGE,RH,WELD	1
45	217209	SPRING-TILT CYL, 95/95 ASM	1
46	227930	PLATE-YOKE, WLDMT	2
47	227931	BEARING-EWS,4.02X4.25X1.47	2
48	230834	FRAME-CENTER SECTION, WLDMT	1
49	230836	PIN-MAST, 2-1/2	1
50	230837	WASHER-2-1/2X4-1/4X10GA. SS	2
51	230838	WASHER-2-1/2X4-7/8X16GA. SS	2
52	2P793	BRG INSERT, 4 1/2 INSERT	8
53	3/4-10X2-1/2CB	SCREW,RDH SQNK 3/4-10X2-1/2	12
54	622-3511-010	WASHER, FLAT 1" MIL-CARB SAE	12
55	8K047	PIN, 1 X 4 1/16	1
56	8K756	ROLL PIN 1/2 x 4	4
57	1-654-010055-11	SCREW,HX CP 1/2-13UNCX3-1/2	2
58	201227	KIT HYDRAULIC CENTER SECTION	1
59	1-512-010005-01	NUT,HEX,SLFLKG GRB 1/4-20	2
60	227898	VALVE-RELIEF, 2000 PSI	1
61	202702-10-8S	ADAPTER, #10 O-RING #8 TUBE	2
62	5001195	REDUCER ORB 7/8 - 3/4	1
63	203003-8-8S	ADAPTER,TEE,#8 O-RING-TUBE	1
64	1-654-010047-12	SCREW,HEX 1/4-20UNCX2-1/2	2

## Bracket Spring Assembly

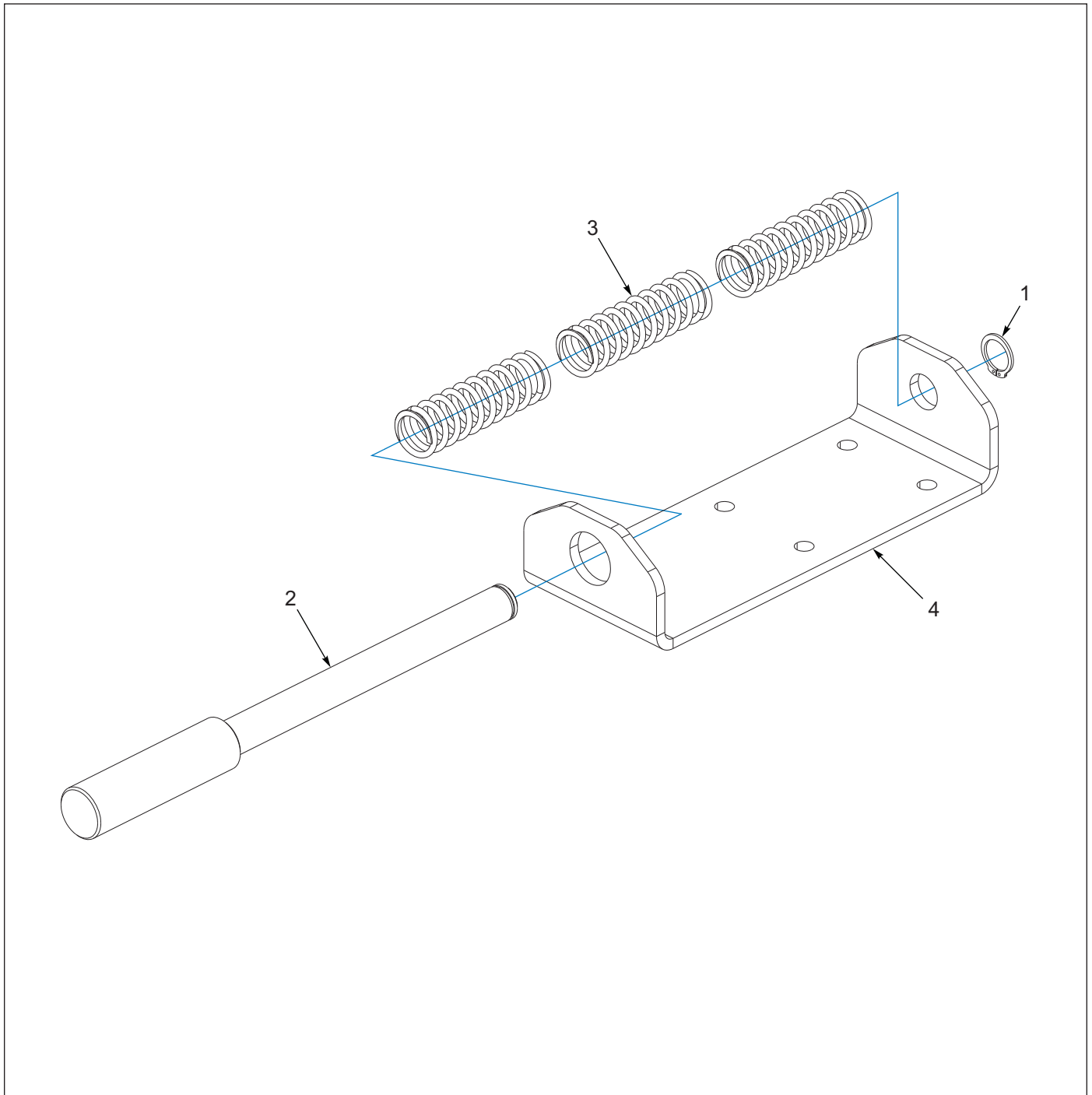


Figure 2-7: Bracket Spring Assembly

## Bracket Spring Assembly

ITEM	PART NUMBER	DESCRIPTION	QTY.
	201197	BRACKET SPRING ASSEMBLY	
1	1-630-010021-03	RING, RETAINING 1 HD	1
2	195027	PIN, DEPTH STOP	1
3	122917	SPRING, CMPNDRESSION, 4-1/2 MONO	3
4	201196	BRACKET SPRING	1

# Wing Frames & Assemblies

## 25' Left Wing Frame Assembly

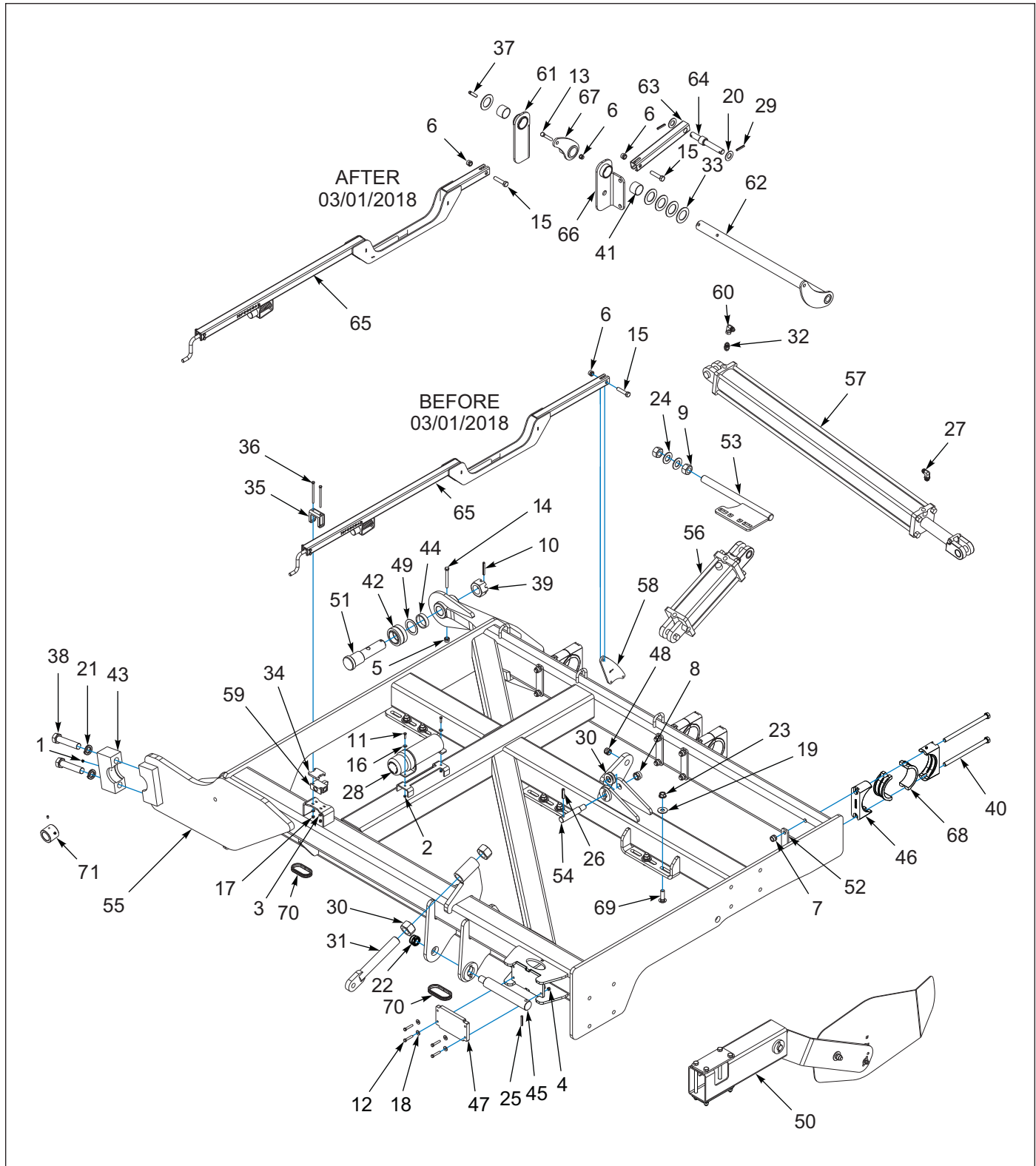


Figure 3-1: 25' Left Wing Frame Assembly

## 25' Left Wing Frame Assembly

ITEM	PART NUMBER	DESCRIPTION	QTY.
	201211	WING ASSEMBLY, 7833 - 25 LH	--
	201212	WING ASSEMBLY, 7833 - 25 RH	--
1	1-298-010001-1	ZERK FITTING, 1/4 SAE	1
2	1-512-010005-01	NUT, HEX, SELFLOCKING GRB 1/4-20	2
3	1-512-010005-03	NUT, HEX, SELFLOCKING GRB 5/16-18	2
4	1-512-010005-05	NUT, HEX, SELFLOCKING GRB 3/8-16	4
5	1-512-010005-09	NUT, HEX, SELFLOCKING GRM 1/2-13	3
6	1-512-010005-13	NUT, HEX, SELFLOCKING GRB 5/8-11	4
7	1-512-010005-15	NUT, HEX, SELFLOCKING GRB 3/4-10	8
8	1-512-010005-19	NUT, HEX, SELFLOCKING GRB 1-8	1
9	1-512-010007-16	NUT, HEX, 1-1/4-7 GR2 ZP	2
10	1-647-010004259	SPRING PIN, SLOTTED 3/8 X 3	1
11	1-654-010047-06	SCREW, HEX CAP, 1/4-20 X 1 UNC GR5	2
12	1-654-010051-09	SCREW, HEX CAP, 3/8-16 UNC X 2 GR5	4
13	1-654-010055-10	SCREW, HEX CAP, 1/2-13 X 3-1/4 GR5	1
14	1-654-010055-14	SCREW, HEX CAP, 1/2-13 UNC X 4-1/2 GR5	1
15	1-654-010059-08	SCREW, HEX CAP, 5/8-11UNC X 2-3/4 GR5	2
16	1-861-010032-07	WASHER, FLAT 1/4 ZP	2
17	1-861-010032-08	WASHER, FLAT 5/16 N ZP	2
18	1-861-010032-11	WASHER, FLAT 3/8 W ZP/CD	4
19	1-861-010032-21	WASHER, FLAT 3/4 W ZP/CD	12
20	1-861-010032-24	WASHER, FLAT 1 NARROW ZP	2
21	100825	WASHER, LKG, HLCL SPR 1-1/4	2
22	101385	NUT, HEX, SELFLOCKING GRB 1-1/4-7	1
23	103841	NUT, FLANG, LNK, SERRATED 3/4-10UNC	12
24	116100	WASHER, NARROW, FLAT, 1-1/4 ZP/CD	2
25	140191	PIN, GROOVED, ALLOY 1/2 X 3	1
26	141251	PIN, SPRING, SLOTTED 1/2 X 2-1/4	1
27	141826	ELBOW, 90, 1/16 RES	1
28	142753	MANUAL HOLDER	1
29	147072	PIN, SPRING, SLOTTED 5/16 X 2	2
30	159954	NUT HEX 1-3/4-5 UNC GR2	2
31	159955	ROD, CYLINDER ANCHOR	1
32	162671	CHECK VALVE W/ORIFICE	1
33	164471	WASHER, THRUST 2	5
34	165257	PAD, SLIDE	1
35	165265	GUIDE, DEPTH STOP	1
36	171556	SCREW, HEX CAP, 5/16-18 UNC X 5-1/2	2
37	172802	PIN, SPRING, SLOTTED 1/2 X 2-1/2	1
38	172823	SCREW HX CAP 1-1/4-7X6 GR8	2
39	172891	NUT, HEX SLOT 2-4-1/2 ZP	1
40	172919	SCREW, HEX CAP, 3/4-10 X 12 GR8 ZP	8
41	183815	BUSHING, 2-1/4 X 2 X 1-1/2 L	2
42	186592	BUSHING, SELF ALIGNING, 2-1/2	1
43	186799	BLOCK-BEARING	1
44	187227	SPACER PIVOT	1
45	187318	PIN, SHOULDER 2 X 11-5/8	1
46	188038	BEARING HALF, 4-1/2 INSERT	8
47	192563	PLATE-WING REST, NYLATRON	1

## 25' Left Wing Frame Assembly

ITEM	PART NUMBER	DESCRIPTION	QTY.
48	192890	BUSHING, 1-2/8 OD X 1 ID X 1 STEEL <b>(AFTER 03/01/2018)</b>	2
48	2-150-010008	BUSHING, 1-1/4 OD X 1 ID X 1 STEEL <b>(BEFORE 03/01/2018)</b>	1
49	192946	WASHER, 2-9/16 X 3-1/2, SS	1
50	193760	BLADE-LEVELER, ASSEMBLY <b>(SEE PAGE 3-16)</b>	1
51	195047	PIN, PIVOT, WING	1
52	195115	PLATE, BEARING BACKER	4
53	195279	BRACKET, GANG ADJUSTMENT, WLDMT	1
54	200756	PIN, 1-1/4 X 4-5/8, STEP	1
55	201203	FRAME, WING, LH 7833-25, WLDMT	1
56	201276	CYLINDER, 3.75 X 10 REPHASE <b>(SEE PAGE 17-61)</b>	1
57	201347	CYLINDER, HYDRAULIC, 4 X 48, 2-1/4 RD, 3000 <b>(SEE PAGE 17-63)</b>	1
58	203383	PLATE, LIFT CONTROL	1
59	203467	VALVE, LIMIT, STROKE	1
60	2071-8-8S	ADAPTER, 90, 8 FLARE SWIVEL, 8 JIC	1
61	209189	BRACKET, REEL CONTROL, WLDMT	1
62	209193	TUBE, REEL CONTROL, WLDMT	1
63	209194	TUBE, REEL CONTROL	1
64	209196	PIN, REEL CONTROL	1
65	203381	TUBE, DEPTH CONTROL, ASSEMBLY <b>(BEFORE 03/01/2018)</b> <b>(SEE PAGE 6-3)</b>	1
65	209200	TUBE, REEL CONTROL, ASSEMBLY <b>(AFTER 03/01/2018)</b> <b>(SEE PAGE 6-3)</b>	1
66	209219	BRACKET, PIVOT, WLDMT	1
67	209366	ARM, CRANK, REEL CONTROL, WLDMT	1
68	2P793	BEARING INSERT, 4 1/2	8
69	3/4-10X2-1/2CB	SCREW, ROUND HEAD SQUARE NECK 3/4-10 X 2-1/2	12
70	1-822-010001	TRIM, 1350 3/8, BLACK FINE PEBBLE	2
71	224424	STOP-CYLINDER, 2 ROD, X 2-1/2	1





# 30' Left Wing Frame Assembly

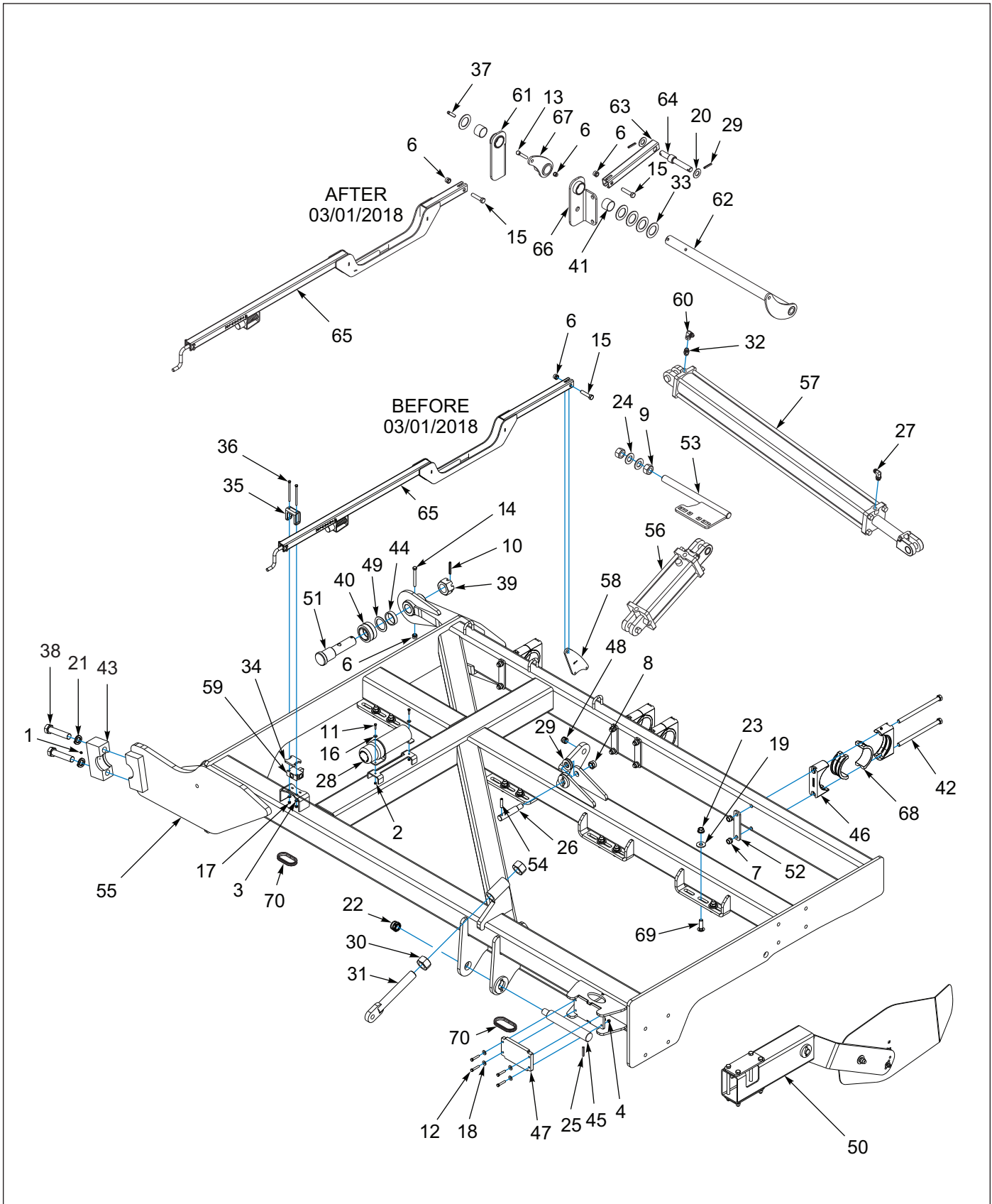


Figure 3-2: 30' Left Wing Frame Assembly

## 30' Left Wing Frame Assembly

ITEM	PART NUMBER	DESCRIPTION	QTY.
	201213	WING ASSY 7833-30 LH	--
	201214	WING ASSY 7833-30 RH	--
1	1-298-010001-1	ZERK FITTING, 1/4 SAE	1
2	1-512-010005-01	NUT, HEX, SELFLOCKING GRB 1/4-20	2
3	1-512-010005-03	NUT, HEX, SELFLOCKING GRB 5/16-18	2
4	1-512-010005-05	NUT, HEX, SELFLOCKING GRB 3/8-16	4
5	1-512-010005-09	NUT, HEX, SELFLOCKING GRM 1/2-13	3
6	1-512-010005-13	NUT, HEX, SELFLOCKING GRB 5/8-11	4
7	1-512-010005-15	NUT, HEX, SELFLOCKING GRB 3/4-10	8
8	1-512-010005-19	NUT, HEX, SELFLOCKING GRB 1-8	1
9	1-512-010007-16	NUT, HEX, 1-1/4-7 GR2 ZP	2
10	1-647-010004259	SPRING PIN, SLOTTED 3/8 X 3	1
11	1-654-010047-06	SCREW, HEX CAP, 1/4-20 X 1 UNC GR5	2
12	1-654-010051-09	SCREW, HEX CAP, 3/8-16 UNC X 2 GR5	4
13	1-654-010055-10	SCREW, HEX CAP, 1/2-13 X 3-1/4 GR5	1
14	1-654-010055-14	SCREW, HEX CAP, 1/2-13 UNC X 4-1/2 GR5	1
15	1-654-010059-08	SCREW, HEX CAP, 5/8-11UNC X 2-3/4 GR5	2
16	1-861-010032-07	WASHER, FLAT 1/4 ZP	2
17	1-861-010032-08	WASHER, FLAT 5/16 N ZP	2
18	1-861-010032-11	WASHER, FLAT 3/8 W ZP/CD	4
19	1-861-010032-21	WASHER, FLAT 3/4 W ZP/CD	12
20	1-861-010032-24	WASHER, FLAT 1 NARROW ZP	2
21	100825	WASHER, LKG, HLCL SPR 1-1/4	2
22	101385	NUT, HEX, SELFLOCKING GRB 1-1/4-7	1
23	103841	NUT, FLANG, LNK, SERRATED 3/4-10UNC	12
24	116100	WASHER, NARROW, FLAT, 1-1/4 ZP/CD	2
25	140191	PIN, GROOVED, ALLOY 1/2 X 3	1
26	141251	PIN, SPRING, SLOTTED 1/2 X 2-1/4	1
27	141826	ELBOW, 90, 1/16 RES	1
28	142753	MANUAL HOLDER	1
29	147072	PIN, SPRING, SLOTTED 5/16 X 2	2
30	159954	NUT HEX 1-3/4-5 UNC GR2	2
31	159955	ROD, CYLINDER ANCHOR	1
32	162671	CHECK VALVE W/ORIFICE	1
33	164471	WASHER, THRUST 2	5
34	165257	PAD, SLIDE	1
35	165265	GUIDE, DEPTH STOP	1
36	171556	SCREW, HEX CAP, 5/16-18 UNC X 5-1/2	2
37	172802	PIN, SPRING, SLOTTED 1/2 X 2-1/2	1
38	172823	SCREW HX CAP 1-1/4-7X6 GR8	2
39	172891	NUT, HEX SLOT 2-4-1/2 ZP	1
40	172919	SCREW, HEX CAP, 3/4-10 X 12 GR8 ZP	8
41	183815	BUSHING, 2-1/4 X 2 X 1-1/2 L	2
42	186592	BUSHING, SELF ALIGNING, 2-1/2	1
43	186799	BLOCK-BEARING	1
44	187227	SPACER PIVOT	1
45	187318	PIN, SHOULDER 2 X 11-5/8	1
46	188038	BEARING HALF, 4-1/2 INSERT	8
47	192563	PLATE-WING REST, NYLATRON	1

## 30' Left Wing Frame Assembly

ITEM	PART NUMBER	DESCRIPTION	QTY.
48	192890	BUSHING, 1-2/8 OD X 1 ID X 1 STEEL <b>(AFTER 03/01/2018)</b>	2
48	2-150-010008	BUSHING, 1-1/4 OD X 1 ID X 1 STEEL <b>(BEFORE 03/01/2018)</b>	1
49	192946	WASHER, 2-9/16 X 3-1/2, SS	1
50	193760	BLADE-LEVELER, ASSEMBLY <b>(SEE PAGE 3-16)</b>	1
51	195047	PIN, PIVOT, WING	1
52	195115	PLATE, BEARING BACKER	4
53	195279	BRACKET, GANG ADJUSTMENT, WLDMT	1
54	200756	PIN, 1-1/4 X 4-5/8, STEP	1
55	201205	FRAME, WING, LH 7833-30, WLDMT	1
56	201276	CYLINDER, 3.75 X 10 REPHASE <b>(SEE PAGE 17-59)</b>	1
57	201347	CYLINDER, HYDRAULIC, 4 X 48, 2-1/4 RD, 3000 <b>(SEE PAGE 17-63)</b>	1
58	203383	PLATE, LIFT CONTROL	1
59	203467	VALVE, LIMIT, STROKE	1
60	2071-8-8S	ADAPTER, 90, 8 FLARE SWIVEL, 8 JIC	1
61	209189	BRACKET, REEL CONTROL, WLDMT	1
62	209193	TUBE, REEL CONTROL, WLDMT	1
63	209194	TUBE, REEL CONTROL	1
64	209196	PIN, REEL CONTROL	1
65	203381	TUBE, DEPTH CONTROL, ASSEMBLY <b>(BEFORE 03/01/2018)</b> <b>(SEE PAGE 6-3)</b>	1
65	209200	TUBE, REEL CONTROL, ASSEMBLY <b>(AFTER 03/01/2018)</b> <b>(SEE PAGE 6-3)</b>	1
66	209219	BRACKET, PIVOT, WLDMT	1
67	209366	ARM, CRANK, REEL CONTROL, WLDMT	1
68	2P793	BEARING INSERT, 4 1/2	8
69	3/4-10X2-1/2CB	SCREW, ROUND HEAD SQUARE NECK 3/4-10 X 2-1/2	12
70	1-822-010001	TRIM, 1350 3/8, BLACK FINE PEBBLE	2



# 35' Left Wing Frame Assembly

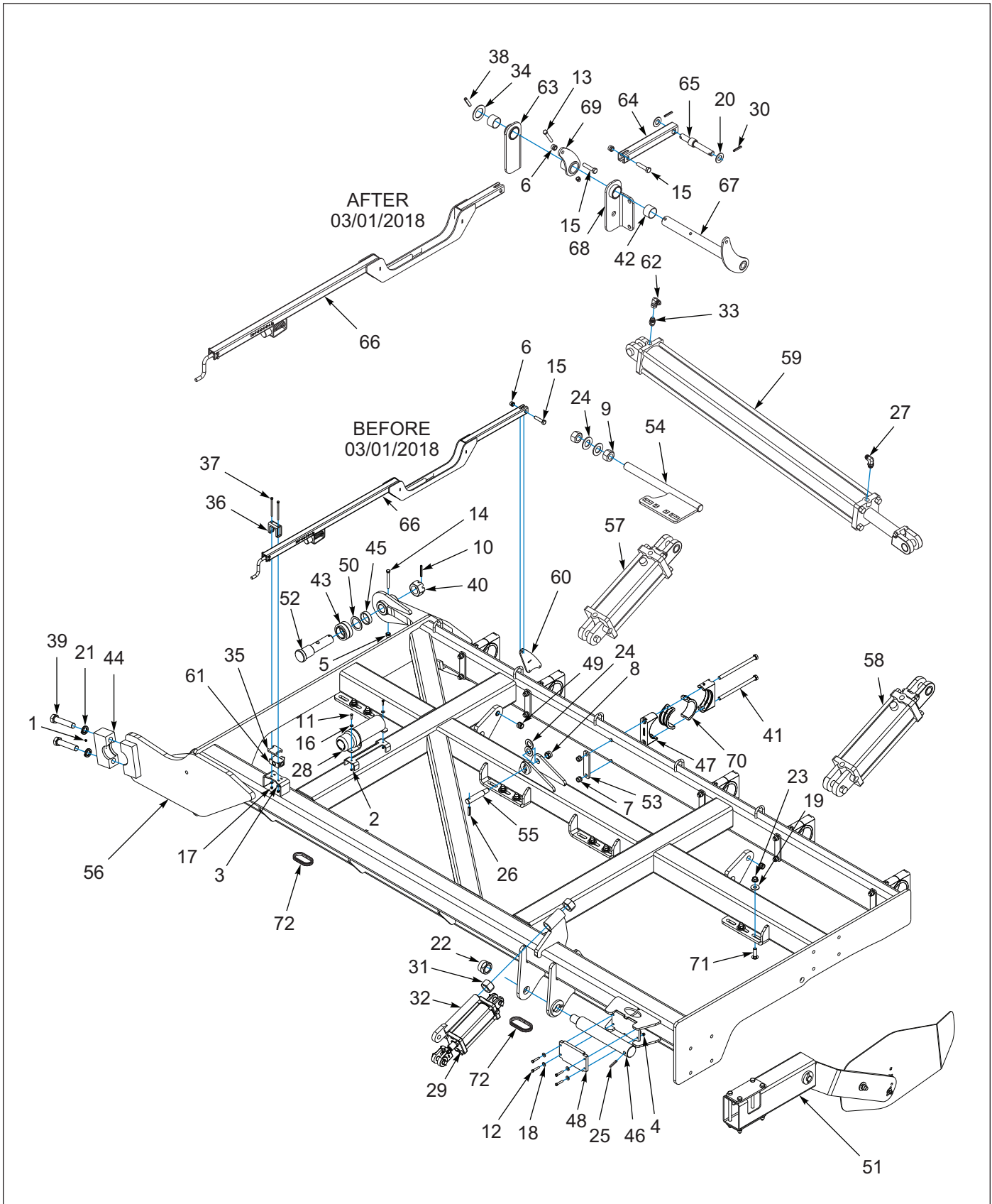


Figure 3-3: 35' Left Wing Frame Assembly

## 35' Left Wing Frame Assembly

ITEM	PART NUMBER	DESCRIPTION	QTY.
	201215	WING ASSEMBLY, 7833-35 LH	--
	201216	WING ASSEMBLY, 7833-35 RH	--
1	1-298-010001-1	ZERK FITTING, 1/4 SAE	1
2	1-512-010005-01	NUT,HEX, SLFLKG GRB 1/4-20	2
3	1-512-010005-03	NUT, HEX, SLFLKG GRB 5/16-18	2
4	1-512-010005-05	NUT, HEX, SLFLKG GRB 3/8-16	4
5	1-512-010005-09	NUT, HEX, SELFLOCKING GRM 1/2-13	4
6	1-512-010005-13	NUT, HEX, SLFLKG GRB 5/8-11	5
7	1-512-010005-15	NUT, HEX, SLFLKG GRB 3/4-10	12
8	1-512-010005-19	NUT, HEX, SLF-LOCKING GRB 1-8	1
9	1-512-010007-16	NUT, HEX, 1-1/4-7 GR2 ZP	2
10	1-647-010004259	SPRING PIN, SLOTTED 3/8X3	1
11	1-654-010047-06	SCREW, HEX CAP, 1/4-20UNCX1 GR5	2
12	1-654-010051-09	SCREW, HEX CAP, 3/8-16UNCX2 GR5	4
13	1-654-010055-10	SCREW, HEX CAP, 1/2-13 X 3-1/4 GR5	1
14	1-654-010055-14	SCREW, HEX CAP, 1/2-13UNCX4-1/2G5	1
15	1-654-010059-08	SCREW, HEX CAP, 5/8-11UNCX2-3/4G5	2
16	1-861-010032-07	WASHER, FLAT 1/4 ZP	2
17	1-861-010032-08	WASHER, FLAT 5/16 N ZP	2
18	1-861-010032-11	WASHER, FLAT 3/8 W ZP/CD	4
19	1-861-010032-21	WASHER, FLAT 3/4 W ZP/CD	16
20	1-861-010032-24	WASHER, FLAT 1 NARROW ZP	3
21	100825	WASHER, LKG, HLCL SPR 1-1/4	2
22	101385	NUT, HEX, SELFLOCKING GRB 1-1/4-7	1
23	103841	NUT, FLG, LNK,SERRATED 3/4-10UNC	16
24	116100	WASHER 1-1/4 NAR FL ZP/CD	4
25	140191	PIN, GROOVED, ALLOY 1/2 X 3	1
26	141251	SPRING PIN,SLOTTED 1/2X2-1/4	1
27	2062-8-8S	ADAPTER, 90, #8 O-RING-TUBE	1
28	142753	MANUAL HOLDER	1
29	201275	CYLINDER 4 X 10 REPHASE <b>(SEE PAGE 17-59)</b>	2
30	147072	PIN, SPRING, SLOTTED 5/16 X 2	2
31	159954	NUT, HEX 1-3/4-5 UNC GR2	2
32	159955	ROD, CYLINDER ANCHOR	1
33	162671	CHECK VALVE W/ORIFICE	1
34	164471	WASHER, THRUST 2	1
35	165257	PAD, SLIDE	1
36	165265	GUIDE, DEPTH STOP	1
37	171556	SCREW, HEX CAP, 5/16-18 UNC X 5-1/2	2
38	172802	PIN, SPRING, SLOTTED 1/2 X 2-1/2	1
39	172823	SCREW HX CAP 1-1/4-7X6 GR8	2
40	172891	NUT, HEX SLOT 2-4-1/2 ZP	1
41	172919	SCREW, HEX CAP, 3/4-10X12 GR8 ZP	12
42	183815	BUSHING, 2-1/4 X 2 X 1-1/2 L	2
43	186592	BUSHING, SELF ALIGNING 2-1/2	1
44	186799	BLOCK-BEARING	1
45	187227	SPACER PIVOT	1
46	187318	PIN, SHOULDER 2 X 11-5/8	1
47	188038	BRG HALF, 4-1/2 INSERT	12



## 35' Left Wing Frame Assembly

ITEM	PART NUMBER	DESCRIPTION	QTY.
48	192563	PLATE-WING REST, NYLATRON	1
49	192890	BUSHING, 1-2/8 OD X 1 ID X 1 STEEL <b>(AFTER 03/01/2018)</b>	3
49	2-150-010008	BUSHING, 1-1/4 OD X 1 ID X 1 STEEL <b>(BEFORE 03/01/2018)</b>	3
50	192946	WASHER, 2-9/16 X 3-1/2, SS	1
51	193760	BLADE-LEVELER, ASSEMBLY <b>(SEE PAGE 3-16)</b>	1
52	195047	PIN-PIVOT, WING	1
53	195115	PLATE-BACKER, BEARING	4
54	195279	BRACKET, GANG ADJUSTMENT, WLDMT	1
55	200756	PIN, 1-1/4 X 4-5/8, STEP	1
56	201207	FRAME WLDMT WING LH 7833-35	1
57	201276	CYLINDER, 3.75 X 10 REPHASE <b>(SEE PAGE 17-59)</b>	1
58	201277	CYLINDER, 3.5 X 10 REPHASE <b>(SEE PAGE 17-61)</b>	1
59	201347	CYLINDER, HYDRAULIC, 4 X 48, 2-1/4 RD, 3000 <b>(SEE PAGE 17-63)</b>	1
60	203383	PLATE LIFT CONTROL	1
61	203467	VALVE, LIMIT, STROKE	1
62	2071-8-8S	ADAPTER, 90, 8 FLARE SWIVEL, 8 JIC	1
63	209189	BRACKET, REEL CONTROL, WLDMT	1
64	209194	TUBE, REEL CONTROL	1
65	209196	PIN, REEL CONTROL	1
66	203381	TUBE, DEPTH CONTROL, ASSEMBLY <b>(BEFORE 03/01/2018)</b> <b>(SEE PAGE 6-3)</b>	1
66	209200	TUBE, REEL CONTROL, ASSEMBLY <b>(AFTER 03/01/2018)</b> <b>(SEE PAGE 6-3)</b>	1
67	209216	TUBE, REEL CONTROL, WLDMT	1
68	209219	BRACKET, PIVOT, WLDMT	1
69	209366	ARM, CRANK, REEL CONTROL, WLDMT	1
70	2P793	BEARING INSERT, 4 1/2	12
71	3/4-10X2-1/2CB	SCREW, ROUND HEAD SQUARE NECK 3/4-10 X 2-1/2	16
72	1-822-010001	TRIM, 1350 3/8, BLACK FINE PEBBLE	2



# 40' Left Wing Frame Assembly

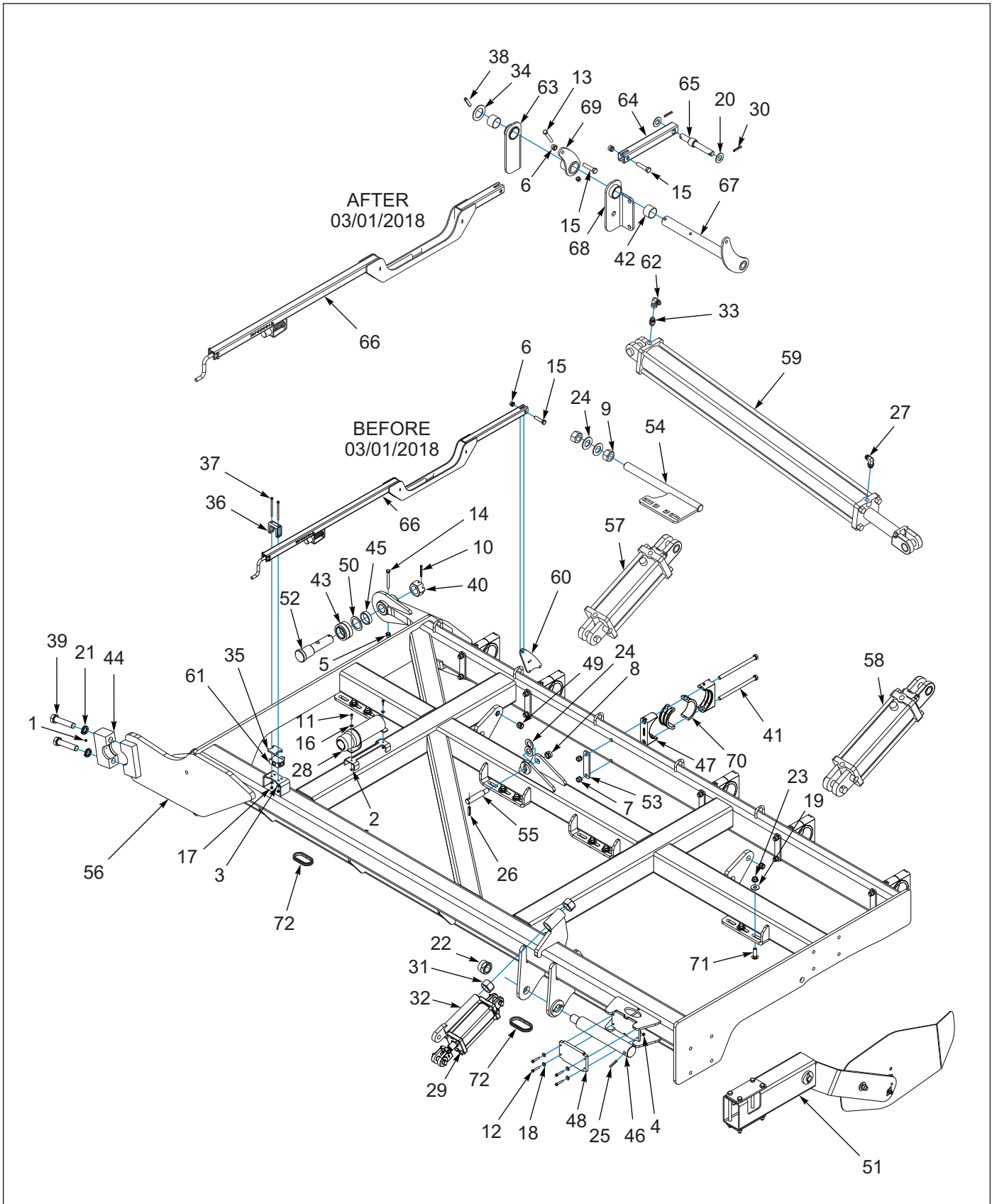


Figure 3-4: 40' Left Wing Frame Assembly

## 40' Left Wing Frame Assembly

ITEM	PART NUMBER	DESCRIPTION	QTY.
	201217	WING ASSY 7833-40 LH	--
	201218	WING ASSY 7833-40 RH	--
1	1-298-010001-1	ZERK FITTING, 1/4 SAE	1
2	1-512-010005-01	NUT,HEX, SLFLKG GRB 1/4-20	2
3	1-512-010005-03	NUT, HEX, SLFLKG GRB 5/16-18	2
4	1-512-010005-05	NUT, HEX, SLFLKG GRB 3/8-16	4
5	1-512-010005-09	NUT, HEX, SELFLOCKING GRM 1/2-13	4
6	1-512-010005-13	NUT, HEX, SLFLKG GRB 5/8-11	5
7	1-512-010005-15	NUT, HEX, SLFLKG GRB 3/4-10	12
8	1-512-010005-19	NUT, HEX, SLF-LOCKING GRB 1-8	1
9	1-512-010007-16	NUT, HEX, 1-1/4-7 GR2 ZP	2
10	1-647-010004259	SPRING PIN, SLOTTED 3/8X3	1
11	1-654-010047-06	SCREW, HEX CAP, 1/4-20UNCX1 GR5	2
12	1-654-010051-09	SCREW, HEX CAP, 3/8-16UNCX2 GR5	4
13	1-654-010055-10	SCREW, HEX CAP, 1/2-13 X 3-1/4 GR5	1
14	1-654-010055-14	SCREW, HEX CAP, 1/2-13UNCX4-1/2G5	1
15	1-654-010059-08	SCREW, HEX CAP, 5/8-11UNCX2-3/4G5	2
16	1-861-010032-07	WASHER, FLAT 1/4 ZP	2
17	1-861-010032-08	WASHER, FLAT 5/16 N ZP	2
18	1-861-010032-11	WASHER, FLAT 3/8 W ZP/CD	4
19	1-861-010032-21	WASHER, FLAT 3/4 W ZP/CD	16
20	1-861-010032-24	WASHER, FLAT 1 NARROW ZP	3
21	100825	WASHER, LKG, HLCL SPR 1-1/4	2
22	101385	NUT, HEX, SELFLOCKING GRB 1-1/4-7	1
23	103841	NUT, FLG, LNK,SERRATED 3/4-10UNC	16
24	116100	WASHER 1-1/4 NAR FL ZP/CD	4
25	140191	PIN, GROOVED, ALLOY 1/2 X 3	1
26	141251	SPRING PIN,SLOTTED 1/2X2-1/4	1
27	2062-8-8S	ADAPTER, 90, #8 O-RING-TUBE	1
28	142753	MANUAL HOLDER	1
29	145201	CYLINDER 4 X 8 REPHASE <b>(BEFORE 01/03/2020) (SEE PAGE 17-57)</b>	1
29	201275	CYLINDER, 4 X 10 REPHASE <b>(AFTER 01/03/2020) (SEE PAGE 17-59)</b>	1
30	147072	PIN, SPRING, SLOTTED 5/16 X 2	2
31	159954	NUT, HEX 1-3/4-5 UNC GR2	2
32	159955	ROD, CYLINDER ANCHOR	1
33	162671	CHECK VALVE W/ORIFICE	1
34	164471	WASHER, THRUST 2	1
35	165257	PAD, SLIDE	1
36	165265	GUIDE, DEPTH STOP	1
37	171556	SCREW, HEX CAP, 5/16-18 UNC X 5-1/2	2
38	172802	PIN, SPRING, SLOTTED 1/2 X 2-1/2	1
39	172823	SCREW HX CAP 1-1/4-7X6 GR8	2
40	172891	NUT, HEX SLOT 2-4-1/2 ZP	1
41	172919	SCREW, HEX CAP, 3/4-10X12 GR8 ZP	12
42	183815	BUSHING, 2-1/4 X 2 X 1-1/2 L	2
43	186592	BUSHING, SELF ALIGNING 2-1/2	1
44	186799	BLOCK-BEARING	1
45	187227	SPACER PIVOT	1
46	187318	PIN, SHOULDER 2 X 11-5/8	1

## 40' Left Wing Frame Assembly

ITEM	PART NUMBER	DESCRIPTION	QTY.
47	188038	BRG HALF, 4-1/2 INSERT	12
48	192563	PLATE-WING REST, NYLATRON	1
49	192890	BUSHING, 1-2/8 OD X 1 ID X 1 STEEL <b>(AFTER 03/01/2018)</b>	3
49	2-150-010008	BUSHING, 1-1/4 OD X 1 ID X 1 STEEL <b>(BEFORE 03/01/2018)</b>	3
50	192946	WASHER, 2-9/16 X 3-1/2, SS	1
51	193760	BLADE-LEVELER, ASSEMBLY <b>(SEE PAGE 3-16)</b>	1
52	195047	PIN-PIVOT, WING	1
53	195115	PLATE-BACKER, BEARING	4
54	195279	BRACKET, GANG ADJUSTMENT, WLDMT	1
55	200756	PIN, 1-1/4 X 4-5/8, STEP	1
56	201209	FRAME WLDMT WING LH 7833-35	1
57	145202	CYLINDER 3-3/4 X 8 REPHASE <b>(BEFORE 01/03/2020)</b> <b>(SEE PAGE 17-58)</b>	1
57	201276	CYLINDER, 3.75 X 10 REPHASE <b>(AFTER 01/03/2020)</b> <b>(SEE PAGE 17-59)</b>	1
58	201277	CYLINDER, 3.5 X 10 REPHASE <b>(SEE PAGE 17-59)</b>	1
59	201347	CYLINDER, HYDRAULIC, 4 X 48, 2-1/4 RD, 3000 <b>(SEE PAGE 17-63)</b>	1
60	203383	PLATE LIFT CONTROL	1
61	203467	VALVE, LIMIT, STROKE	1
62	2071-8-8S	ADAPTER, 90, 8 FLARE SWIVEL, 8 JIC	1
63	209189	BRACKET, REEL CONTROL, WLDMT	1
64	209194	TUBE, REEL CONTROL	1
65	209196	PIN, REEL CONTROL	1
66	203381	TUBE, DEPTH CONTROL, ASSEMBLY <b>(BEFORE 03/01/2018)</b>	1
66	209200	TUBE, REEL CONTROL, ASSEMBLY <b>(AFTER 03/01/2018)</b>	1
67	209216	TUBE, REEL CONTROL, WLDMT	1
68	209219	BRACKET, PIVOT, WLDMT	1
69	209366	ARM, CRANK, REEL CONTROL, WLDMT	1
70	2P793	BEARING INSERT, 4 1/2	12
71	3/4-10X2-1/2CB	SCREW, ROUND HEAD SQUARE NECK 3/4-10 X 2-1/2	16
72	1-822-010001	TRIM, 1350 3/8, BLACK FINE PEBBLE	2

# Blade Leveler Assembly

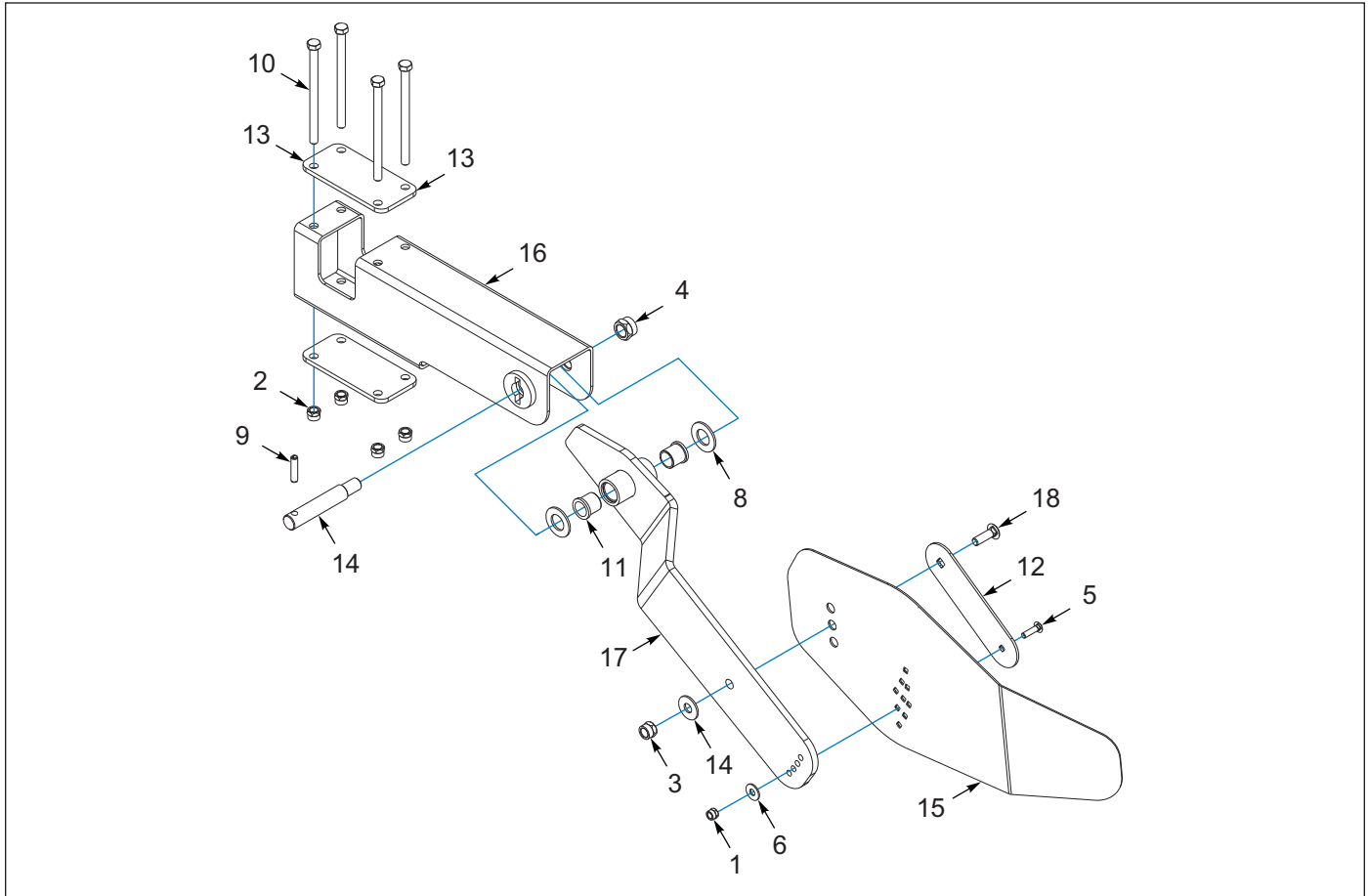


Figure 3-5: Blade Leveler Assembly

## Blade Leveler Assembly

ITEM	PART NUMBER	DESCRIPTION	QTY.
	193760	BLADE, LEVELER ASSEMBLY	--
1	1-512-010005-09	NUT, HEX SLFLKG, 1/2-13 UNC, GRB	1
2	1-512-010005-13	NUT, HEX SLFLKG, 5/8-11 UNC, GRB	4
3	1-512-010005-15	NUT, HEX SLFLKG, 3/4-10 UNC, GRB	1
4	1-512-010005-19	NUT, HEX SLFLKG, 1-8 UNC, GRB	1
5	1-654-010070-05	SCREW, RDH SQ NK, 1/2-13 X 2	1
6	1-861-010032-15	WASHER, FLAT, ZP/CD, 1/2W	1
7	1-861-010032-21	WASHER, FLAT, ZP/CD, 3/4W	1
8	116100	WASHER, FLAT, ZP/CD, 1-1/4N	2
9	141251	PIN, SPRING SLOTTED, 1/2 X 2-1/4	1
10	171892	SCREW, HEX CAP, 5/8-11 UNC X 9 GR5	4
11	184413	BEARING, FLANGE 1, 1/4	2
12	192594	PLATE, BACKER	1
13	193699	PLATE, STRAP	2
14	193730	PIN, SHOULDER 1-1/4 X 5	1
15	193757	BLADE, LEVELER	1
16	193758	MOUNT, BLADE LEVELER WELDMENT	1
17	193759	ARM, LEVELER MOUNT WELDMENT	1
18	3/4-10X2-1/2CB	SCREW, RDH SQ NK, 3/4-10 X 1/2	1

# Spindle & Hub

## Spindle & Hub, 8 Bolt (BEFORE 02/01/2020)

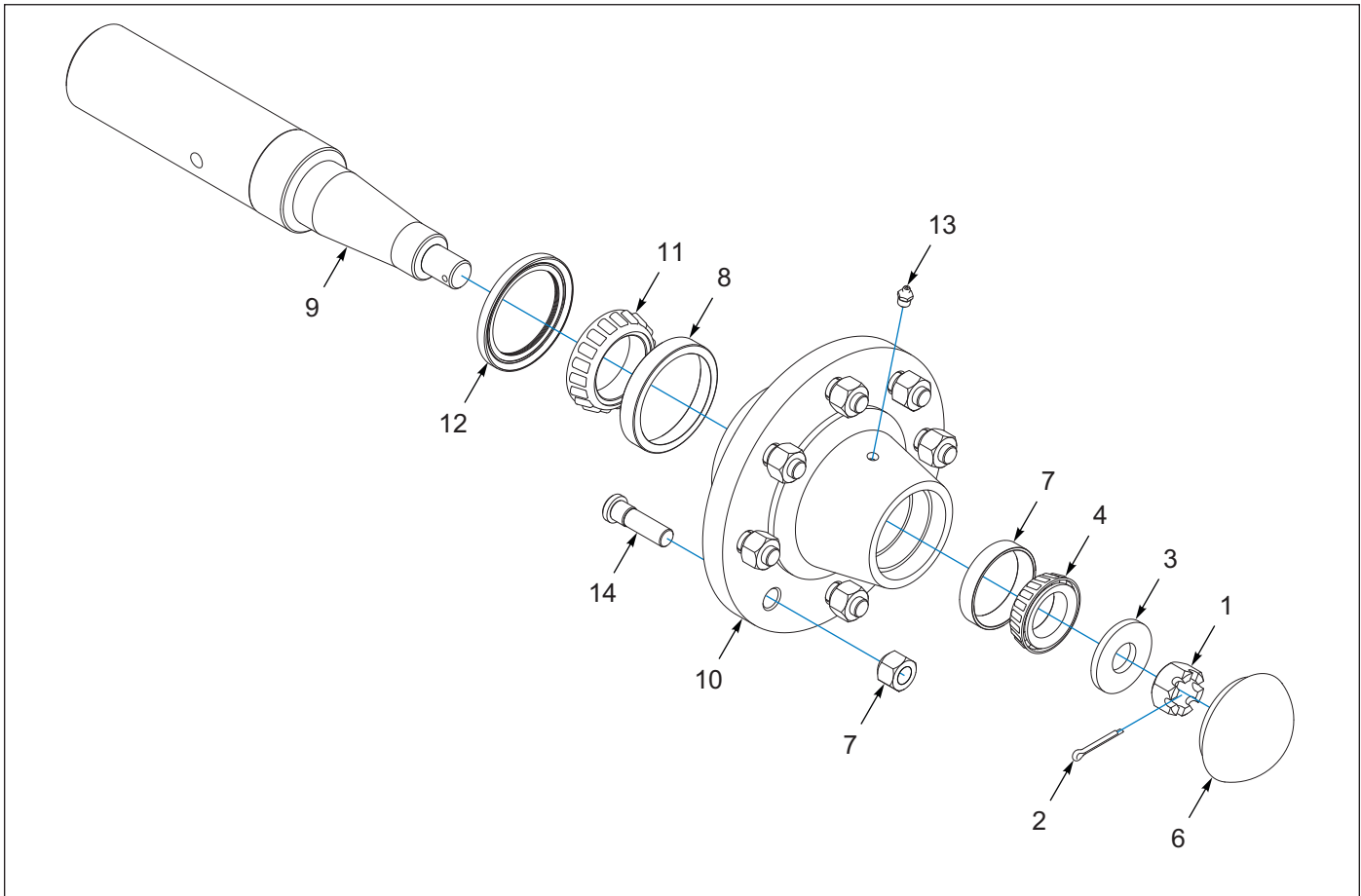


Figure 4-1: Spindle & Hub, 8 Bolt (BEFORE 02/01/2020)

## Spindle & Hub, 8 Bolt (BEFORE 02/01/2020)

ITEM	PART NUMBER	DESCRIPTION	QTY.
	156972	HUB AND SPINDLE ASSEMBLY - 8 BOLT	--
1	1-516-010001-20	NUT, SLDT HEX, 1-14 UNS	1
2	1-557-010362-51	COTTER PIN, 3/16 X 1-1/2	1
3	1-861-010005	WASHER, SPINDLE	1
4	102498	CONE, BORE BEARING OUTER 1.625	1
5	102600	NUT, WHEEL BOLT, 5/8-18	8
6	102601	HUBCAP, 8-BOLT HUB	1
7	102604	CUP, OUTER BEARING	1
8	111962	CUP, INNER BEARING	1
9	156973	SPINDLE, 3 X16-1/2	1
10	156974	HUB W/ CUPS, 8 BOLT	1
11	156979	CONE, BEARING, 387AS	1
12	159970	SEAL, TRIPLE LIP, 4OD X 3ID X 3/8	1
13	5000	ZERK	1
14	4001060	STUD BOLT, 5/8 X 2-1/2	8



**Spindle & Hub, 8 Bolt (AFTER 02/01/2020)**

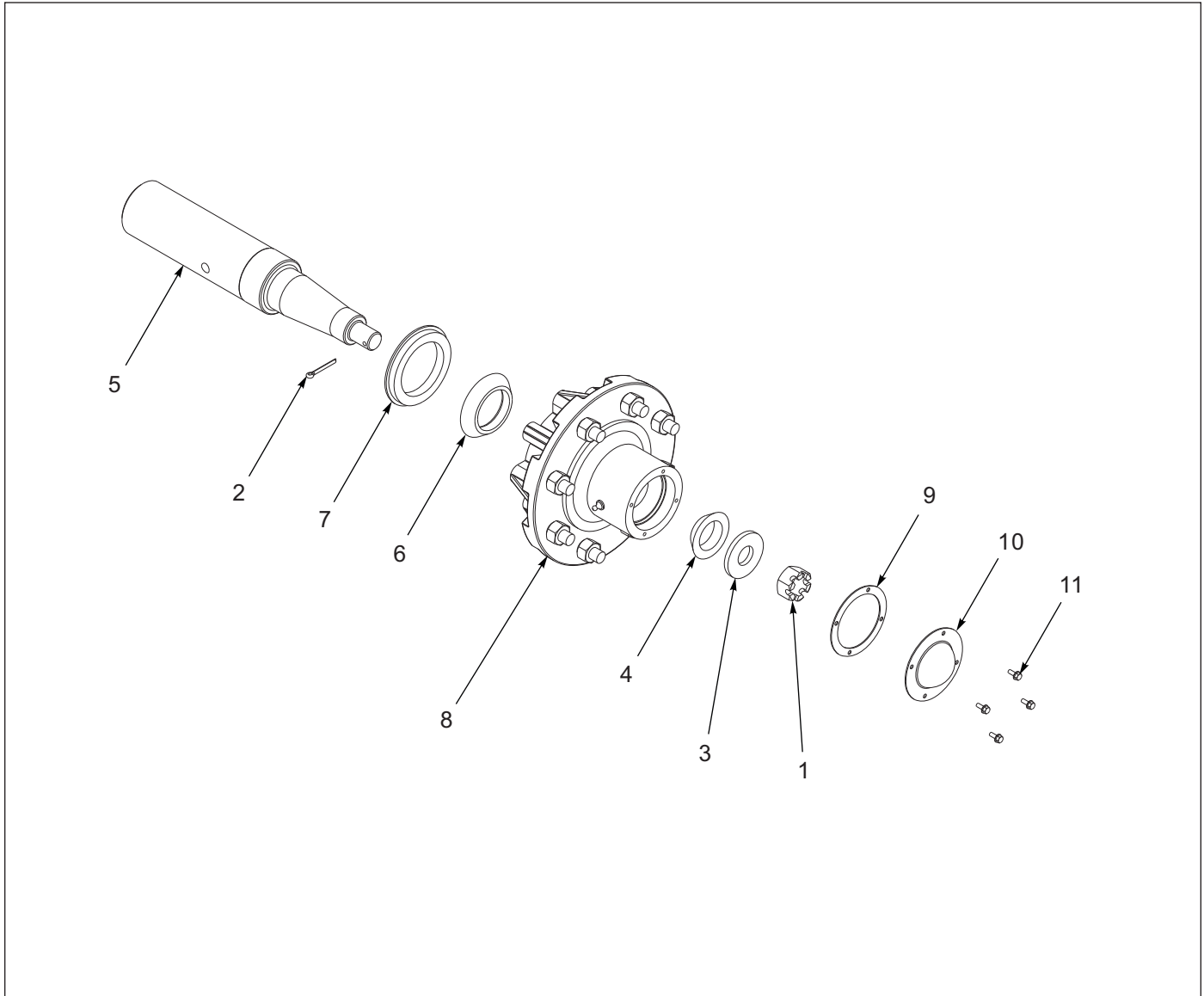


Figure 4-2: Spindle & Hub, 8 Bolt (AFTER 02/01/2020)

**Spindle & Hub, 8 Bolt (AFTER 02/01/2020)**

ITEM	PART NUMBER	DESCRIPTION	QTY.
	223440	ASSY, 8 BOLT HUB & SPINDLE	--
1	1-516-010001-20	NUT, HX SLOT 1-14	1
2	1-557-010362-51	PIN, COTTER 3/16X1-1/2	1
3	1-861-010005	WASHER, SPINDLE 1	1
4	102498	BEARING CONE, OUTER, 1.625	1
5	156973	SPINDLE 3 X 16-1/2	1
6	156979	CONE BEARING - 387AS	1
7	193089	SEAL, PURGABLE 4 OD X 3 ID	1
8	223435	HUB ASSY W/ CUPS, GASKET, CAP	1
9	223439	GASKET, DUST CAP (NOT IN KIT)	1
10	223437	DUST CAP, BOLT ON (NOT IN KIT)	1
11	223438	SCREW, 10-32X1/2 HEX FLANGE (NOT IN KIT)	1

**Spindle & Hub, 10 Bolt (BEFORE 05/27/2020)**

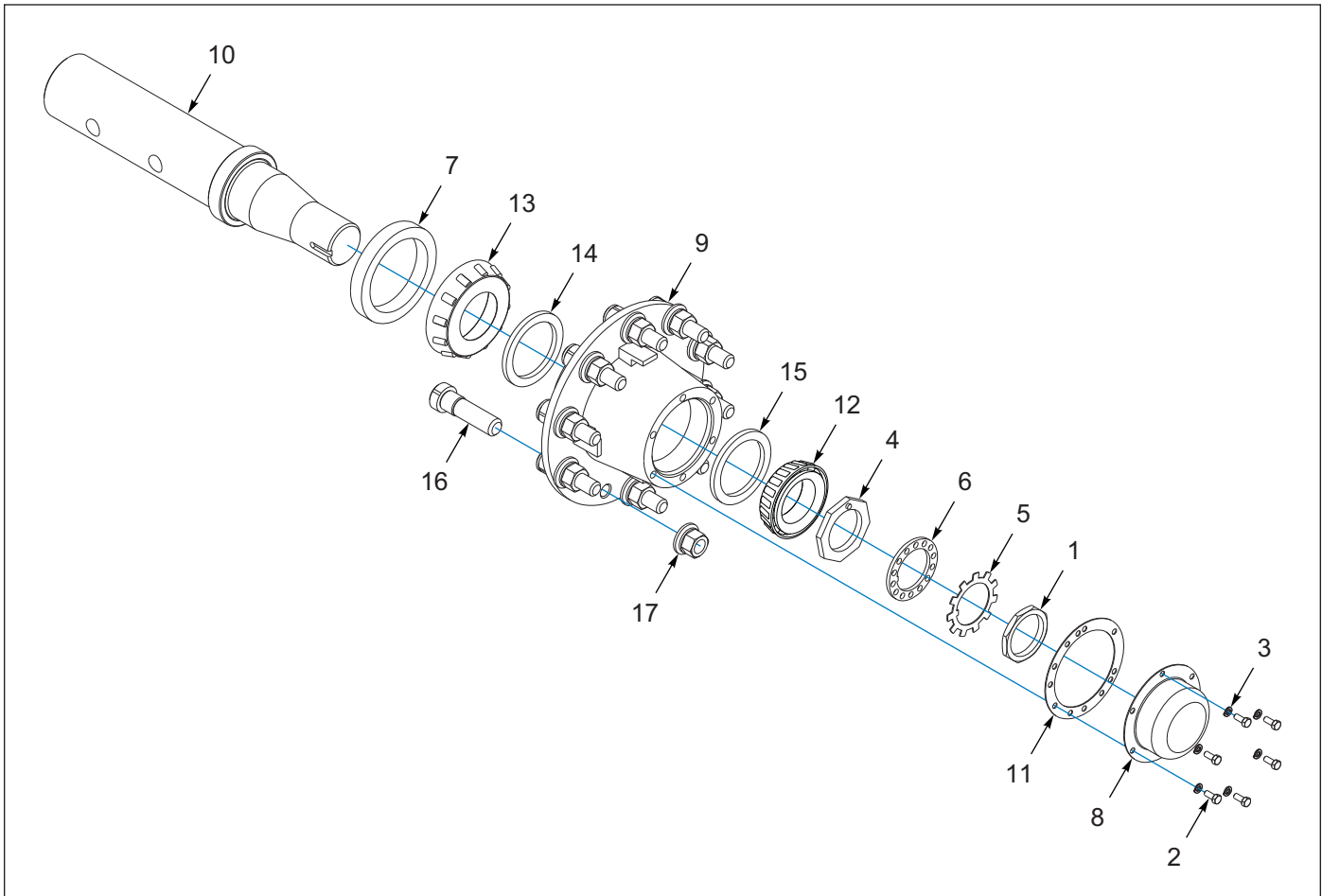


Figure 4-3: Spindle & Hub, 10 Bolt (BEFORE 05/27/2020)

**Spindle & Hub, 10 Bolt (BEFORE 05/27/2020)**

ITEM	PART NUMBER	DESCRIPTION	QTY.
	193814	HUB AND SPINDLE ASSEMBLY - 10 BOLT	--
1	006-115-00	NUT, OUTER SPINDLE, DEXTER	1
2	1-654-010049-03	SCREW, HEX 5/16-18 UNC X 3/4 GR5	6
3	1-861-010034-10	WASHER, LKG HLCL SPR, 5/16	6
4	103103-002	NUT, INNER SPIN	1
5	105106	LOCKWASHER, DEXTER	1
6	105107	WASHER, TONGUE, DEXTER	1
7	165254	SEAL, 4-5/8, TRIPLE TEFLON	1
8	168456	HUBCAP	1
9	181785	HUB, 10 BOLT WITH CUPS	1
10	181789	SLEEVE-SPINDLE, 4", ASM	1
11	3067	GASKET, HUB	1
12	HM212049	OUTER BEARING, A19S	1
13	HM218248	INNER BEARING	1
14	HM218210	INNER BEARING	1
15	HM212011	OUTER BEARING CUP	1
16	101162	STUD BOLT, 10 BOLT	10
17	179933	LUG NUT, 10 BOLT	10

### Spindle & Hub, 10 Bolt (AFTER 05/27/2020)

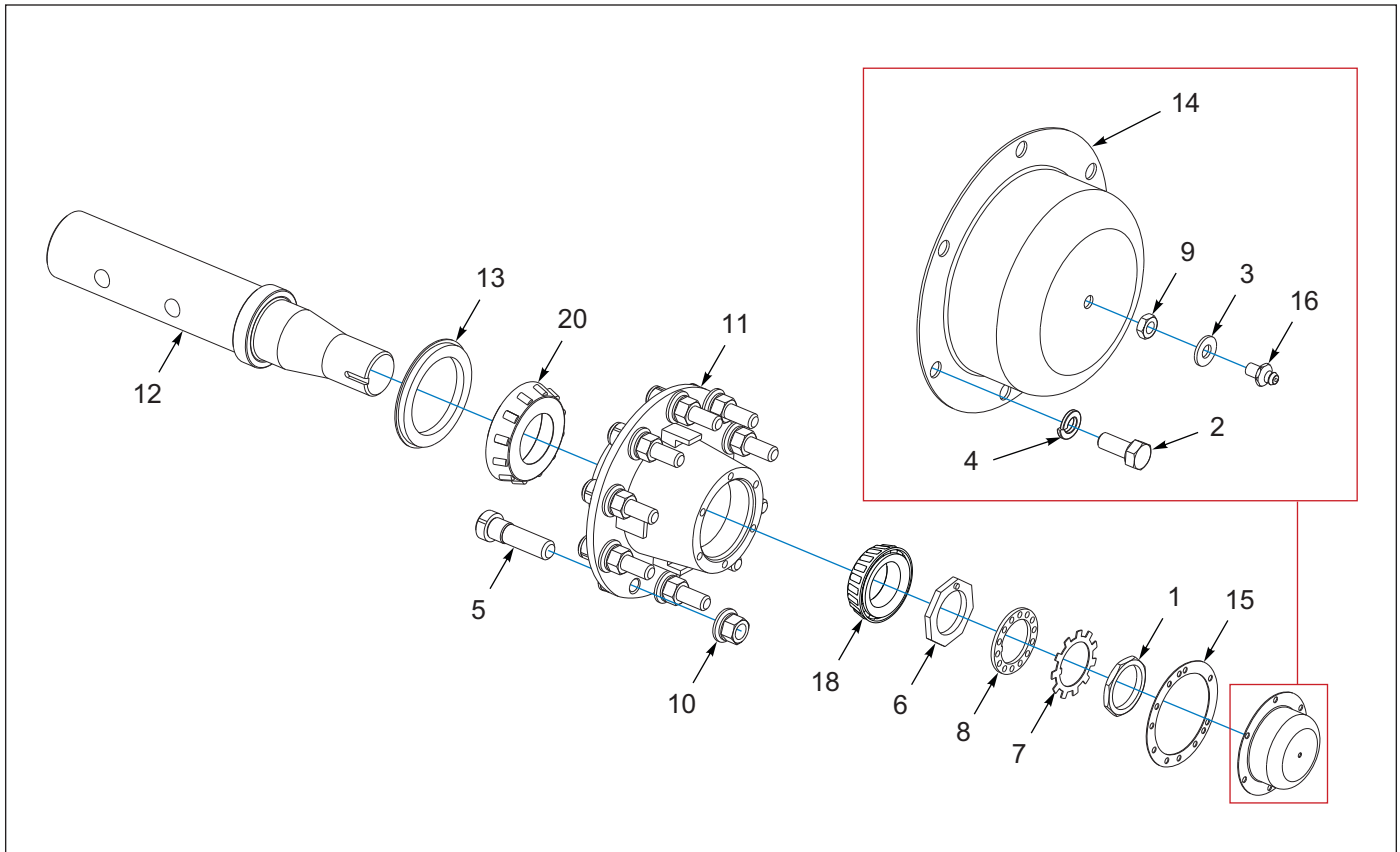


Figure 4-4: Spindle & Hub, 10 Bolt (AFTER 05/27/2020)

### Spindle & Hub, 10 Bolt (AFTER 05/27/2020)

ITEM	PART NUMBER	DESCRIPTION	QTY.
	193814	HUB AND SPINDLE ASSEMBLY - 10 BOLT	--
1	006-115-00	NUT OUTER, SPINDLE, DEXTER	1
2	1-654-010049-03	SCREW HX CP 5/16-18UNCX3/4GR5	6
3	1-861-010032-06	WASHER, FLAT 1/4 N ZP/CD	1
4	1-861-010034-10	WASHER,LKG 5/16	6
5	101162	STUD	10
6	103103-002	INNER SPIN NUT	1
7	105106	STAR L/W	1
8	105107	LOCK WASHER	1
9	1404013	NUT JAM HEX HD GR 5 1/4-28	1
10	179933	NUT, HEX M22X1.5	10
11	181785	HUB, 10 BOLT W/CUPS	1
12	181789	SLEEVE-SPINDLE, 4", ASM	1
13	184769	SEAL, PURGABLE 6 OD X 4-5/8 ID	1
14	191976	HUBCAP W/ 1/4 HOLE	1
15	3067	GASKET HUB	1
16	5013	ZERK, FITTING 1/4-28SAEX11/16	1
17	HM212011	OUTER CUP (NOT SHOWN)	1
18	HM212049	OUTER BEARING	1
19	HM218210	BEARING CUP,INNER-DEXTERD225K (NOT SHOWN)	1
20	HM218248	INNER BEARING	1

# Tires and Wheels

## Transport Tire and Wheel

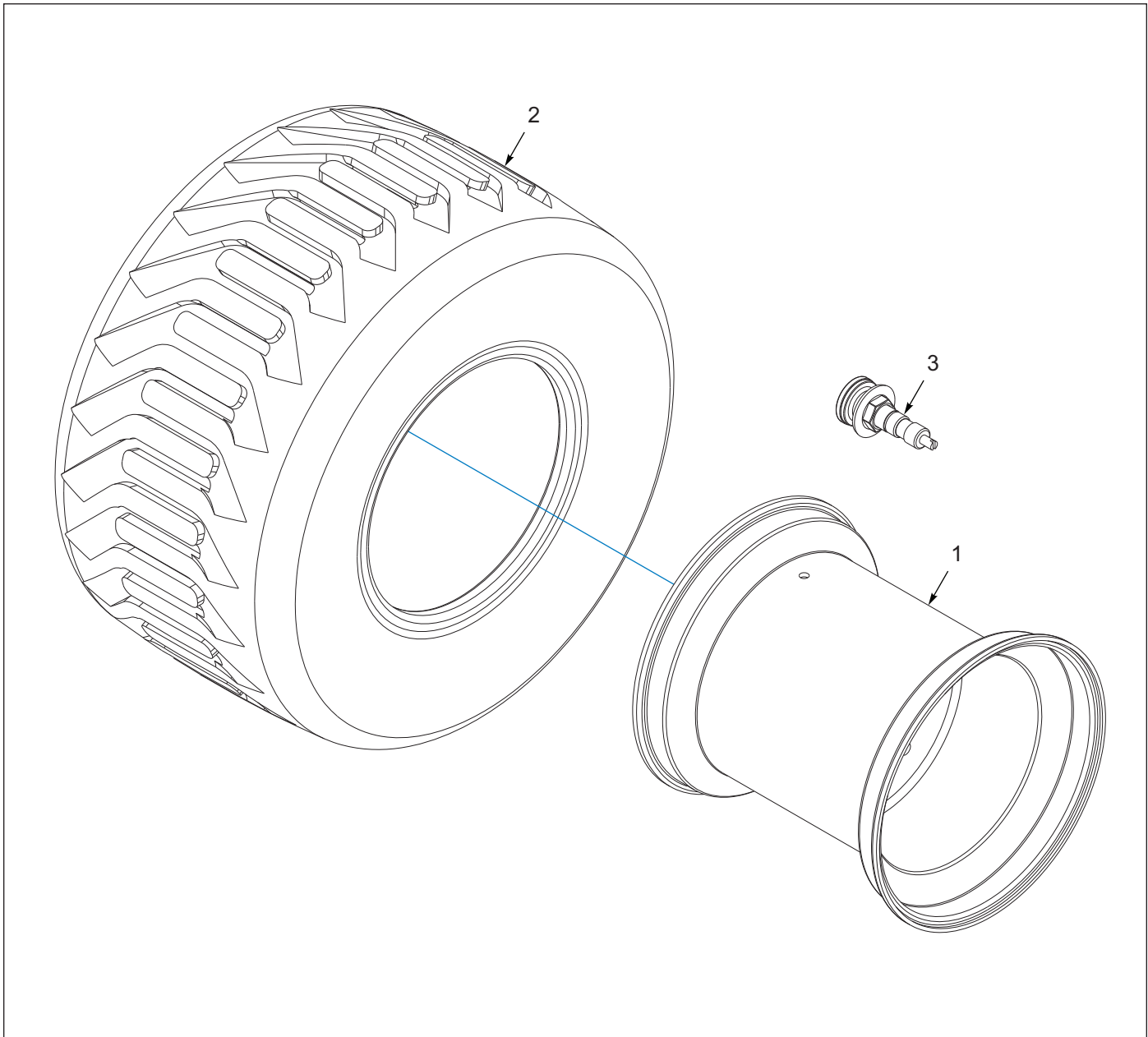
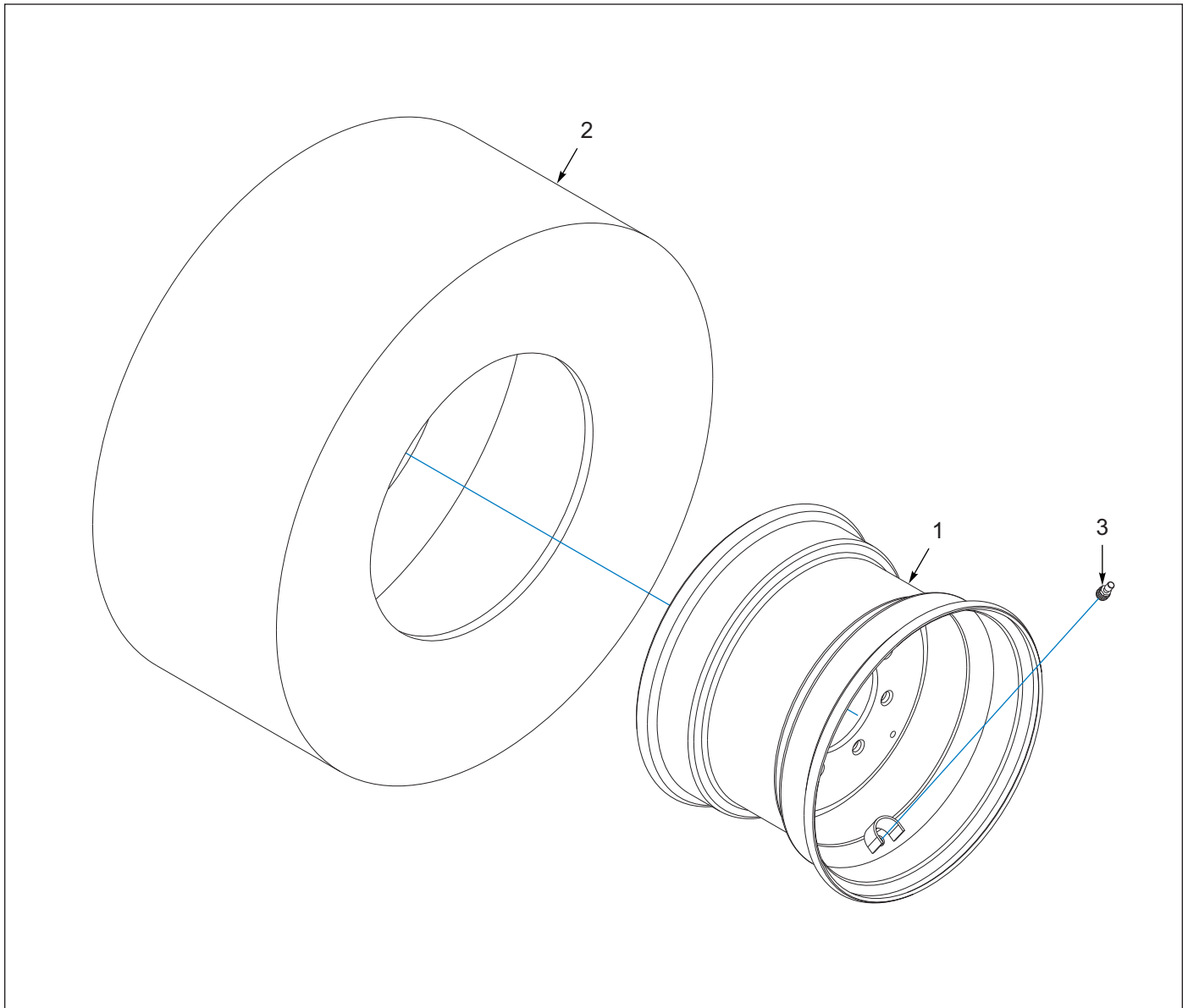


Figure 5-1: Transport Tire and Wheel

## Transport Tire and Wheel

ITEM	PART NUMBER	DESCRIPTION	QTY.
	201281	TIRE/WHEEL 710/40 LH	--
	201282	TIRE/WHEEL 710/40 RH	--
1	201279	WHEEL, 22.5 X 24, 10 BOLT	REF
2	201280	TIRE, 710/40R22.5	REF
3	203466	VALVE-STEM, TR-618A	REF

## Gauge Tire and Wheel



**Figure 5-2: Gauge Tire and Wheel**

## Gauge Tire and Wheel

ITEM	PART NUMBER	DESCRIPTION	QTY.
	157000	TIRE & WHEEL ASSY, 32/1550X16.5 (USED ON 25 & 30) (BEFORE 03/01/2018)	--
	215351	TIRE & WHEEL ASSY, VF410/50R16.5 (USED ON 25 & 30) (AFTER 12/01/2018)	--
	203500	TIRE & WHEEL ASSY, 500/40, R16.5 (USED ON 35 & 40)	--
1	157001	WHEEL, 8 BOLT (USED ON 25 & 30)	REF
1	203453	WHEEL-16.5X16, 8 BOLT (USED ON 35 & 40)	REF
2	157002	TIRE 32/1550 X 16.5 SL (USED ON 25 & 30) (BEFORE 03/01/2018)	REF
2	215352	TIRE, VF410/50R16.5 (USED ON 25 & 30) (AFTER 12/01/2018)	REF
2	203452	TIRE, 500/40 R16.5 (USED ON 35 & 40)	REF
3	TR575	VALVE STEM TUBELESS TIRE	REF

# Wing Gauge

## Wing Gauge Assembly

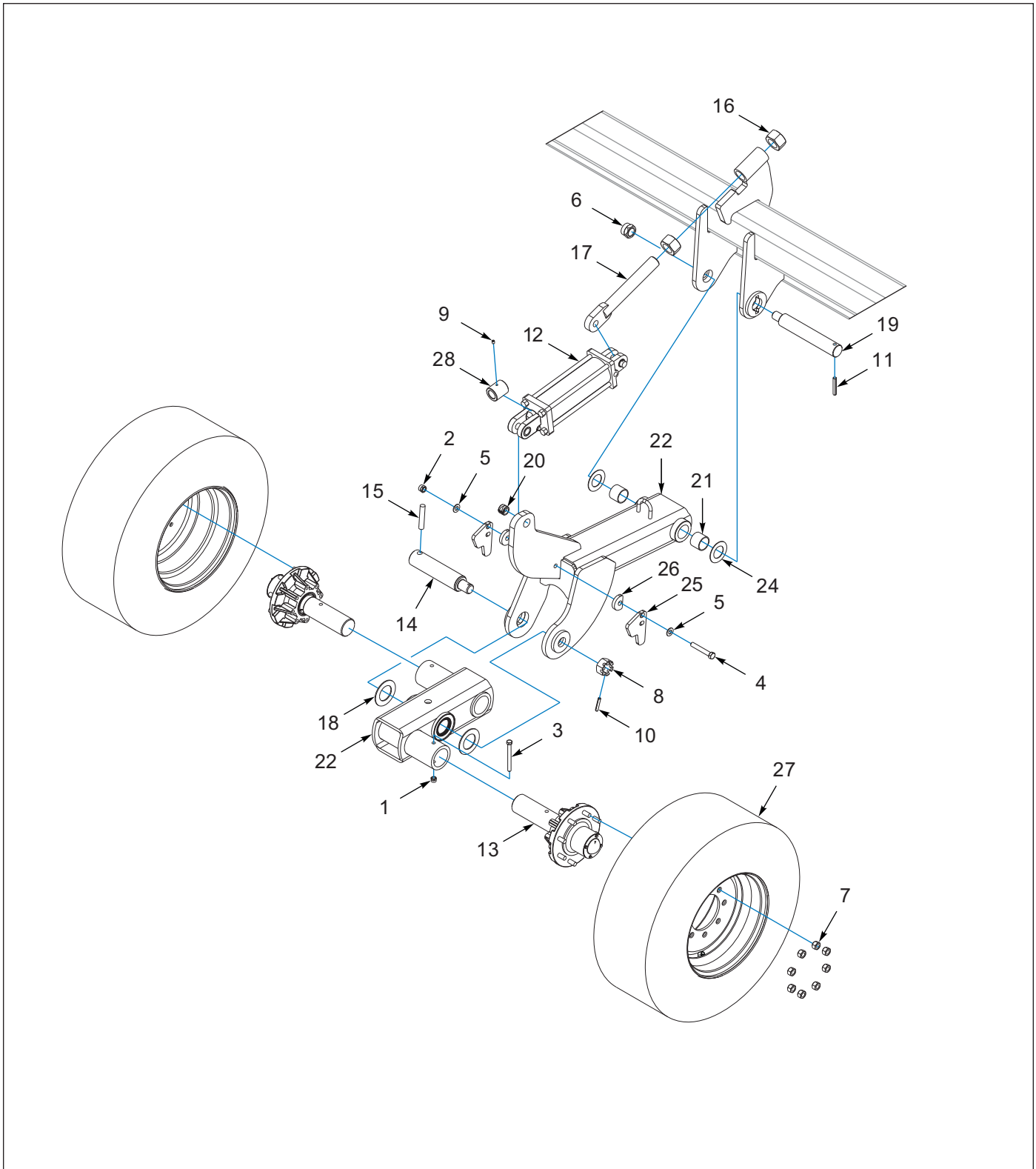


Figure 6-1: Wing Gauge Assembly

## Wing Gauge Assembly

ITEM	PART NUMBER	DESCRIPTION	QTY.
1	1-512-010005-09	NUT,HEX,SLFLKG, 1/2-13 GRB	3
2	1-512-010005-13	NUT,HEX SLFLKG GRB 5/8-11	1
3	1-654-010055-15	SCREW, HEX CAP, 1/2-13UNCX5 GR5	2
4	1-654-010059-13	SCREW HEX CAP 5/8-11X4UNC GR5	1
5	1-861-010032-18	WASHER, FLAT 5/8 N ZP/CD	2
6	101385	NUT,HEX SLFLKG,1-1/4-7 GRB	1
7	102600	NUT,WHEEL BOLT, 5/8	8
8	119118	NUT 1-1/2-12UNF HEX SLOTTED ZP	1
9	122709	SCREW,SET,HXSKTCPPT3/8-16X1/2 (25' ONLY)	1
10	127712	PIN SPRING SLOTTED 3/8 X 2-1/4	1
11	140191	PIN, GROOVED ALLOY 1/2X3	1
12	145201	CYLINDER 4 X 8 REPHASE (BEFORE 01/03/2020) (SEE PAGE 17-57)	1
12	201275	CYLINDER, 4 X 10 REPHASE (AFTER 01/03/2020) (SEE PAGE 17-59)	1
13	156972	HUB & SPINDLE ASSY, 8 BOLT (BEFORE 02/01/2020) (SEE PAGE 4-1)	2
13	223440	ASSY, 8 BOLT HUB & SPINDLE (AFTER 02/01/2020) (SEE PAGE 4-2)	2
14	156991	SPINDLE, WALKING BEAM	1
15	156992	PIN, WALKING BEAM SPINDLE	1
16	159954	NUT HEX 1-3/4-5UNC GR2	2
17	159955	ROD, CYLINDER ANCHOR WLDMT	1
18	164563	WASHER, THRUST 2-1/2	2
19	187318	PIN SHOULDER 2 X 11-5/8	1
20	192890	BUSHING 1-3/8ODX1 IDX1 STEEL	3
21	197140	BUSHING POLYLUBE 2-1.4X2X2	2
22	201268	ARM-GAUGE WHEEL, LH FWD, WLDMT (BEFORE 01/03/2020) (NOT SHOWN)	1
22	224439	ARM WLDMT GAUGE WHEEL LH FWD (AFTER 01/03/2020) (NOT SHOWN)	1
22	201259	ARM-GAUGE WHEEL, RH FWD, WLDMT (BEFORE 01/03/2020)	1
22	224440	ARM WLDMT GAUGE WHEEL RH FWD (AFTER 01/03/2020)	1
23	201264	WALKING BEAM ASSY 3"	2
24	202844	WASHER, 2 X 3-1/2 X 14 GA, SS	2
25	203428	PLATE-SPACER	1
26	203434	PLATE-SPACER, INSIDE	1
27	157000	TIRE & WHEEL ASSY, 32/1550X16.5 (25', 30' ONLY) (BEFORE 12/01/2018)	2
27	215351	TIRE&WHL ASSY, VF410/50R16.5 (25', 30' ONLY) (AFTER 12/01/2018)	
27	203500	WHEEL & TIRE,500/40R16.5,8 BLT (35', 40' ONLY)	2
28	224424	STOP-CYLINDER, 2 ROD, X 2-1/2 (25' ONLY)	1
28	224425	STOP-CYLINDER,1-3/8 ROD,X2-1/2 (25' ONLY)	1

## Depth Control Tube Assembly (USED ON WING ASSEMBLY)

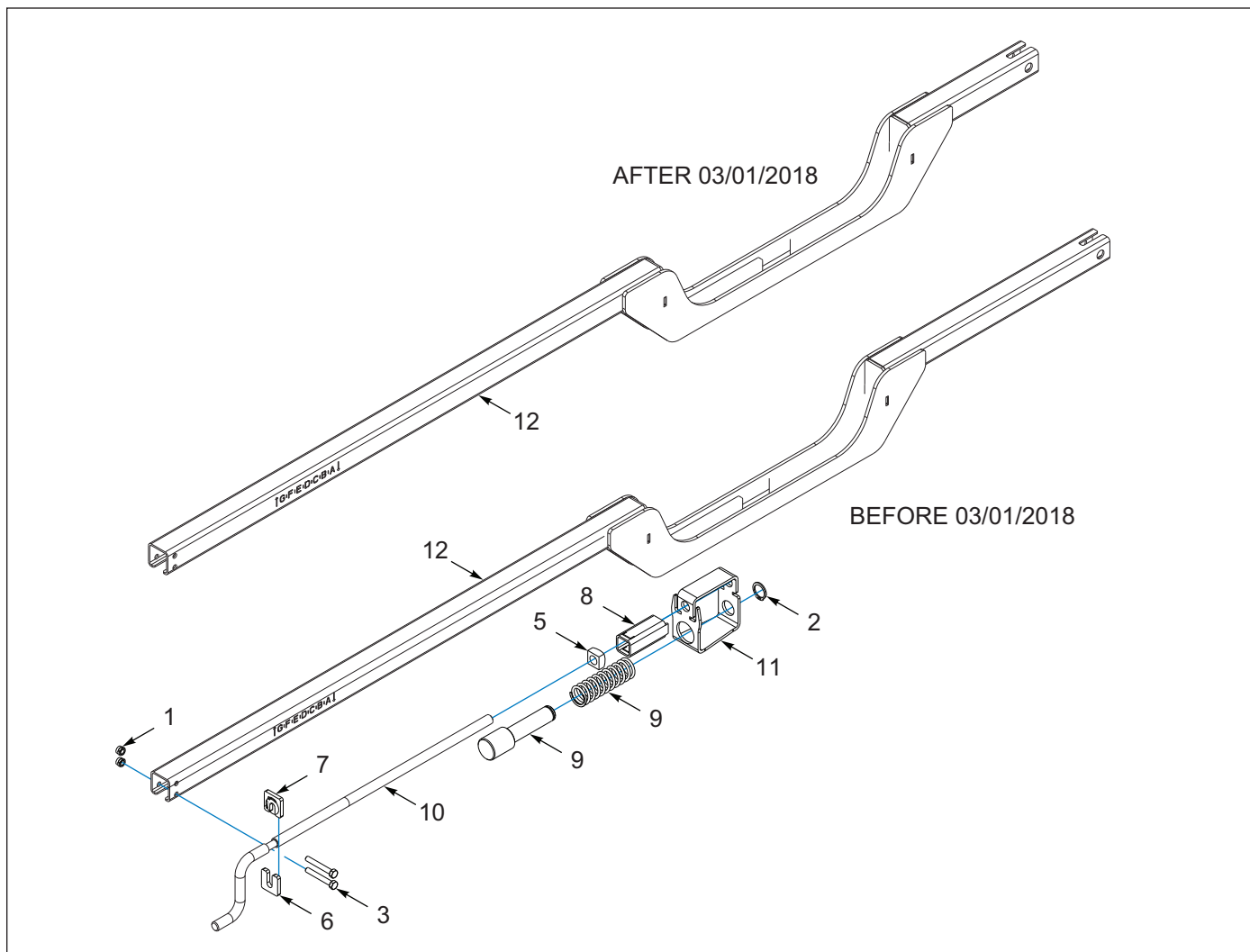


Figure 6-2: Depth Control Tube Assembly (USED ON WING ASSEMBLY)

## Depth Control Tube Assembly (USED ON WING ASSEMBLY)

ITEM	PART NUMBER	DESCRIPTION	QTY.
	203381	TUBE ASSY DEPTH CONTROL (BEFORE 03/01/2018)	--
	209200	TUBE ASSY DEPTH CONTROL (AFTER 03/01/2018)	--
1	1-512-010005-03	NUT, HEX SLFLKG, 5/16-18 UNC, GRB	2
2	1-630-010021-03	RING, RETAINING 1 HD	1
3	108628	SCREW, HEX 5/16-18 X 2-1/4 GR5	2
4	122917	SPRING, CMPNDRESSION 4-1/2, MONOSEM	1
5	144048	NUT, SQ 5/8-11 GR5	1
6	165259	STOP, HANDLE LONG	1
7	165260	STOP, HANDLE SHORT	1
8	166717	SQ TUBE, FLOATING	1
9	174708	PIN, DEPTH STOP	1
10	201337	HANDLE, DEPTH STOP	1
11	182289	STOP, DEPTH	1
12	203380	TUBE, DEPTH STOP, WELDMENT (BEFORE 03/01/2018)	1
12	209198	TUBE, REEL CONTROL, WELDMENT (AFTER 03/01/2018)	1



# Walking Beam Assembly

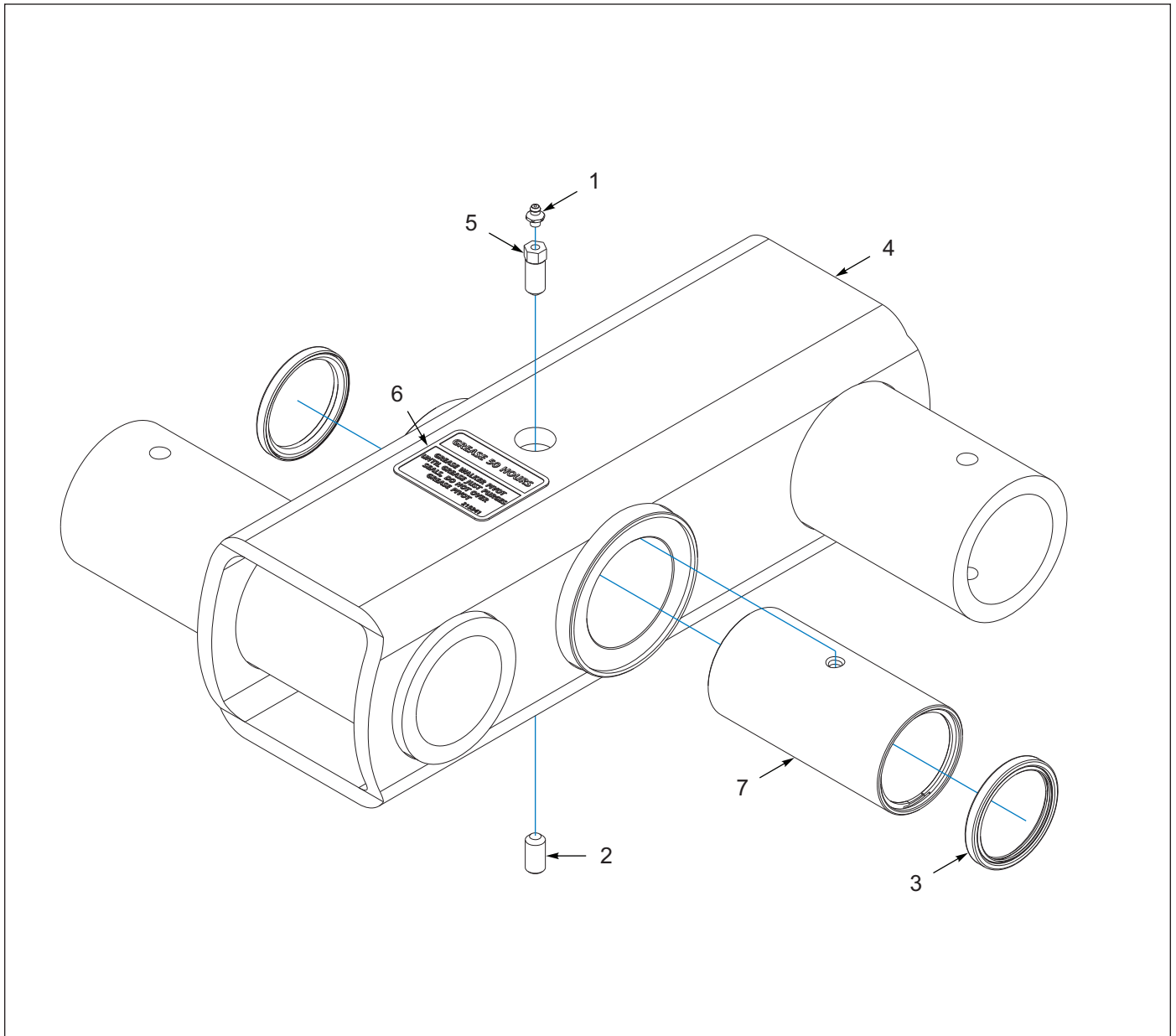


Figure 6-3: Walking Beam Assembly

## Walking Beam Assembly

ITEM	PART NUMBER	DESCRIPTION	QTY.
	201264	WALKING BEAM ASSY 3"	--
1	1-298-010001-1	ZERK FITTING 1/4 SAE	1
2	15G816ER	SCREW SET SOC HD CPPT.5-13X1	1
3	198323	SEAL, V17, DOUBLE LIP 2-1/2"	2
4	201262	WALKING BEAM WLDMT 3" SPINDLE	1
5	212046	SCREW, SET FOR ZERK	1
6	215341	DECAL, GREASE WALKER	1
7	228189	ASSY, PIVOT 2-1/2 X 6 CONNEX	1
8	227255	KIT-BEAM, WALKER, HSL (REPLACEMENT KIT INCLUDES 119118, 127712, 156992, 227251, 227252-(2), 227253, 227254)	--

# Hitch Assembly

## Hitch Assembly, 25' & 30'

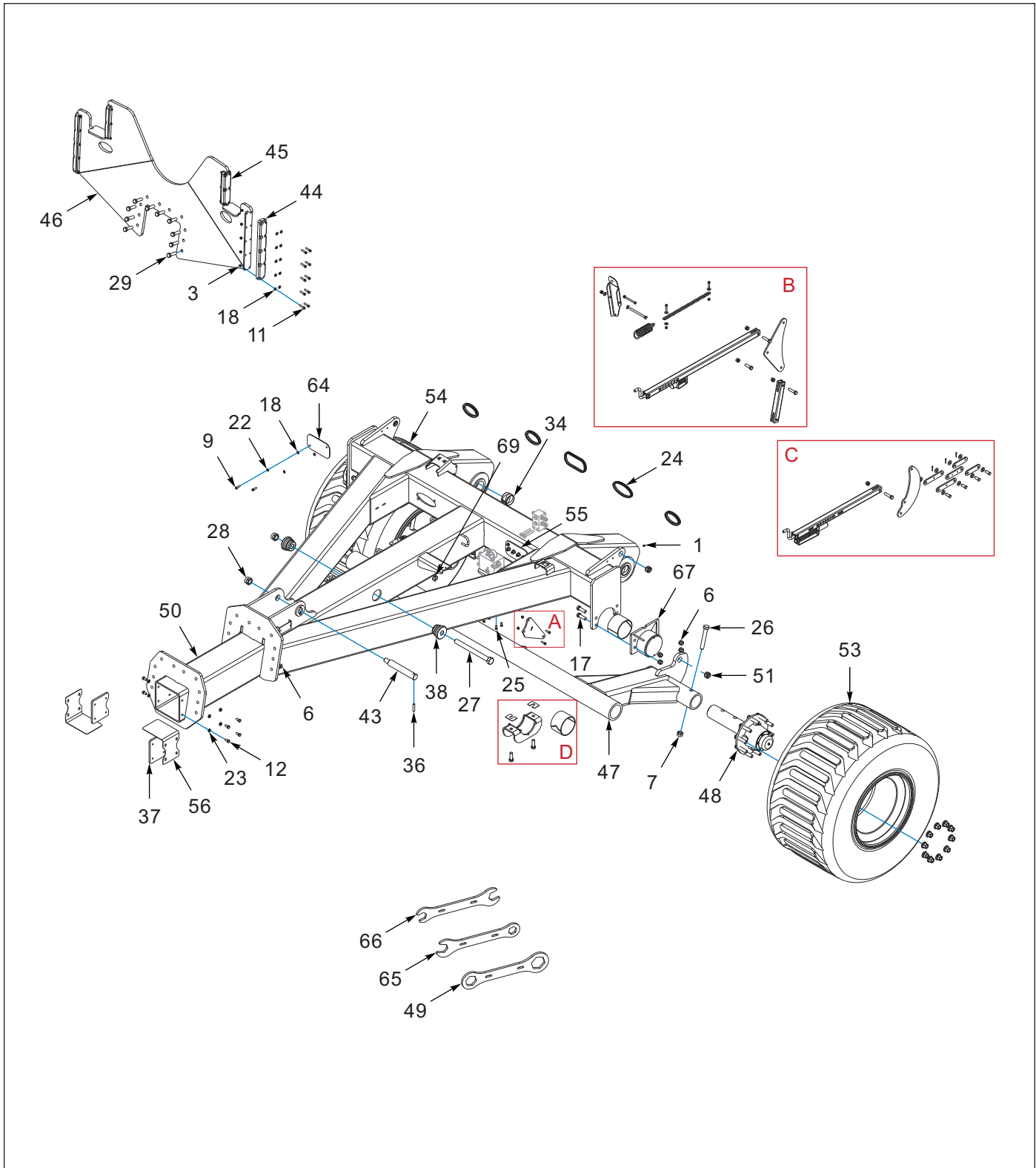


Figure 7-1: Hitch Assembly, 25' & 30'

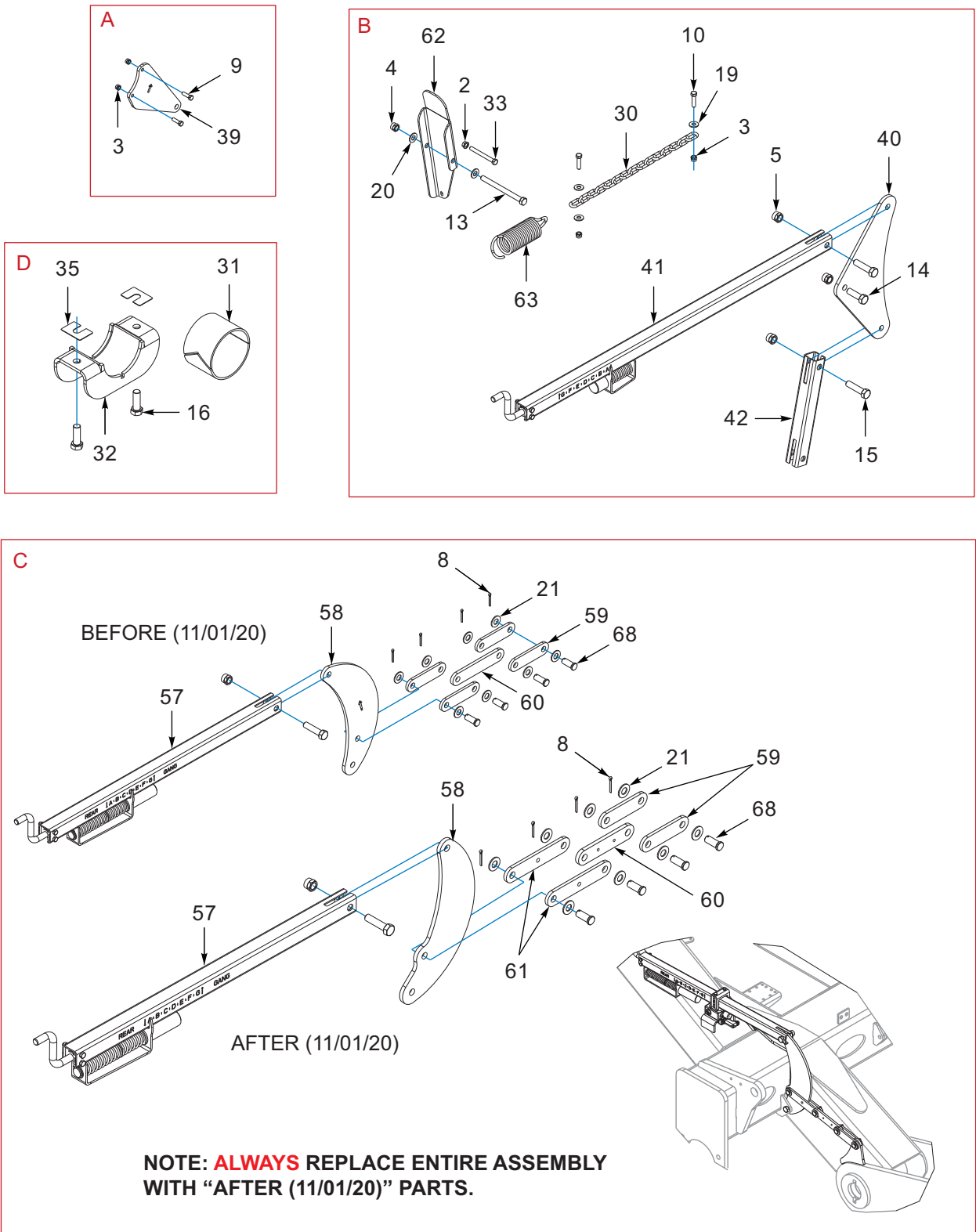


Figure 7-2: Hitch Assembly, 25' & 30'

## Hitch Assembly, 25' & 30'

ITEM	PART NUMBER	DESCRIPTION	QTY.
	201309	HITCH-7833-25,30, ASSEMBLY	--
1	1-298-010001-1	ZERK FITTING 1/4 SAE	2
2	1-510-010001	NUT, 3/8-16 UNC FLANGE LOCK	1
3	1-512-010005-05	NUT, HEX, SLFLKG GRB 3/8-16	36
4	1-512-010005-09	NUT,HEX,SLFLKG, 1/2-13 GRB	3
5	1-512-010005-13	NUT,HEX SLFLKG GRB 5/8-11	6
6	1-512-010005-15	NUT,HEX,SLFLKG GRB 3/4-10	20
7	1-512-010005-19	NUT 1-8 HEX SLF-LOCKING GRB	2
8	1-557-010362-40	PIN, COTTER 5/32X1-1/4	4
9	1-654-010051-06	SCREW,HEX, 3/8-16UNCX1-1/4 GR5	6
10	1-654-010051-07	SCREW,HEX CAP,3/8-16UNCX1-1/2	2
11	1-654-010051-08	SCREW,HEX CAP,3/8-16X1-3/4 G5	32
12	1-654-010055-01	SCR,HX CP 1/2-13UNCX1 GR5	8
13	1-654-010055-17	SCREW,HEX CAP,1/2-13UNCX6 GR5	1
14	1-654-010059-05	SCREW,HEX CAP,5/8-11UNCX2 GR5	2
15	1-654-010059-07	SCREW HX CP 5/8-11UNCX2-1/2G5	4
16	1-654-010061-06	SCREW,HXCP,3/4-10UNCX2-1/4GR5	2
17	1-654-010061-07	SCREW,HX CP 3/4-10UNCX2-1/2G5	8
18	1-861-010032-10	WASHER, FLAT 3/8" N ZP/CD	34
19	1-861-010032-11	WASHER, FLAT 3/8 W ZP/CD	3
20	1-861-010032-14	WASHER, FLAT 1/2" N ZP/CD	2
21	1-861-010032-18	WASHER, FLAT 5/8 N ZP/CD	8
22	1-861-010034-11	WASHER, LKG HLCL SPR, 3/8	8
23	1-861-010034-13	WASHER, LKG HLCL SPR, 1/2	8
24	1-822-010001	TRIM 1350 3/8BLK FINE PEBBLE	7
25	100131	SCREW HHC,3/8-16UNCX7/8 GR5	4
26	100829	SCREW,HEX CAP,1-8X6-1/2,GR5	2
27	100857	SCREW,HHCS,1-1/4-7X13-1/2 GR8	2
28	101385	NUT,HEX SLFLKG,1-1/4-7 GRB	3
29	104483	SCREW 3/4-10X2-1/2 HXCP ZPGR8	10
30	133937	CHAIN, LIFTING HARROW, WP	1
31	140519	BEARING, UHMW 4IN	3
32	141234	WLDMT, BEARING CAP LIFT	1
33	141807	SCREW 3/8-16UNCX3-1/2 ALLTHRD	1
34	144341	BUSHING, SPRING 3-1/4X3X2	4
35	153827	SHIM, LIFT BEARING	2
36	172802	PIN SPRING SLOTTED 1/2X2-1/2	1
37	187284	HITCH GUIDE	2
38	187288	HITCH STOP	4
39	187639	PLATE - LIFT CONTROL	1
40	187642	PLATE-DEPTH CONTROL LINK	1
41	187643	TUBE DEPTH CONTROL ASSY	1
42	187645	TUBE-DEPTH STOP LINK	1
43	187692	PIN, 1-3/4 X 12-1/4, STEP	1

## Hitch Assembly, 25' & 30'

ITEM	PART NUMBER	DESCRIPTION	QTY.
44	188707	PAD-STOP	2
45	188708	PAD-STOP	2
46	188837	REST WING WLDMT	1
47	192522	ROCKSHAFT WLDMT 7831	1
48	193814	HUB/SPINDLE ASSY 10 BOLT	2
49	195275	WRENCH, ADJUSTMENT	1
50	198926	HITCH WLDMT 7833	1
51	2-150-010174	BUSHING,1-5/8X1-1/4X1	4
52	201221	KIT HYDRAULIC ADAPTER HITCH <b>(NOT SHOWN) (SEE PAGE 17-1)</b>	1
53	201281	TIRE/WHEEL 710/40 LH	1
54	201282	TIRE/WHEEL 710/40 RH	1
55	203391	PLATE-BULKHEAD MOUNT	1
56	203477	SHIM-HITCH, FORMED	2
57	209377	TUBE-TILT STOP, ASSY	1
58	209380	PLATE-TILT STOP <b>(BEFORE 11/01/2020) (SEE FIGURE 7-2, C)</b> <b>(REPLACE WITH UPDATED PART ASSEMBLY)</b>	1
58	227899	PLATE-TILT STOP <b>(AFTER 11/01/2020)</b>	1
59	209381	LINK-TILT STOP, SHORT <b>(BEFORE 11/01/2020,QTY=4)</b> <b>(SEE FIGURE 7-2, C)</b> <b>(REPLACE WITH UPDATED PART ASSEMBLY)</b>	2
60	209382	LINK-TILT STOP, LONG <b>(BEFORE 11/01/2020) (SEE FIGURE 7-2, C)</b> <b>(REPLACE WITH UPDATED PART ASSEMBLY)</b>	1
60	227901	LINK-TILT STOP, INTERMED <b>(AFTER 11/01/2020)</b>	1
61	227902	LINK-TILT CONTROL, FRONT	2
62	201202	LEVER-VALVE CONTROL <b>(BEFORE 03/15/2017)</b>	1
62	209384	LEVER-VALVE CONTROL <b>(AFTER 03/15/2017)</b>	1
63	210764	SPRING-EXT,7.5 X 2.4, 49 LB	1
64	210765	PLATE-BULKHEAD BLAND	1
65	219951	WRENCH-ADJSTMNT,2-5/8 X 2-1/4	1
66	219953	WRENCH-2-3/4 X 2-1/4	1
67	141209	BEARING CAP, LIFT <b>(BEFORE 03/04/2020)</b>	2
67	226570	BEARING CAP, LIFT, HD WLDMT <b>(AFTER 03/04/2020)</b>	2
68	3K287	CLEVIS PIN	4
69	70239854	PIN QUICK HITCH	1

# Hitch Assembly, 35' & 40'

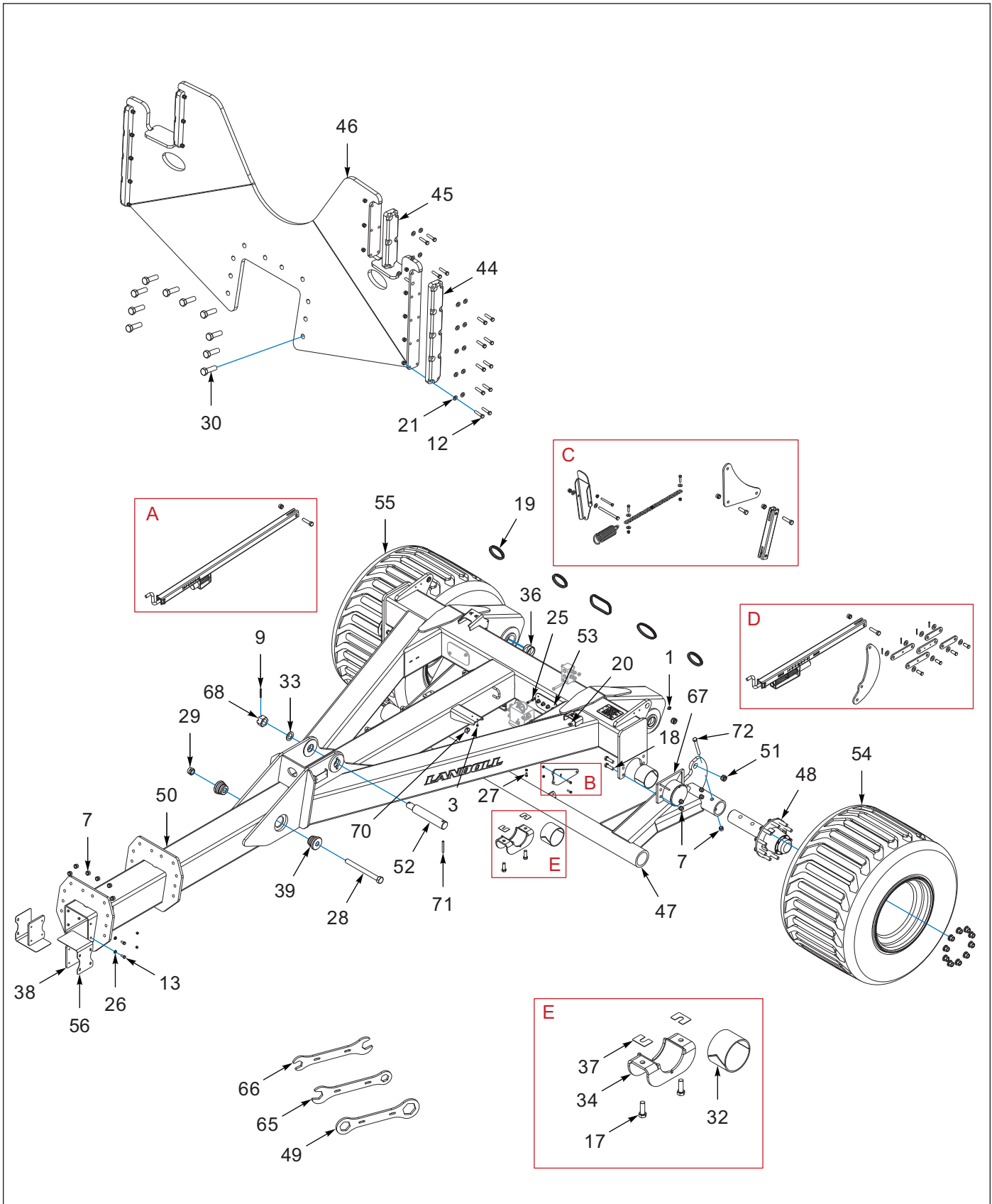


Figure 7-3: Hitch Assembly, 35' & 40'

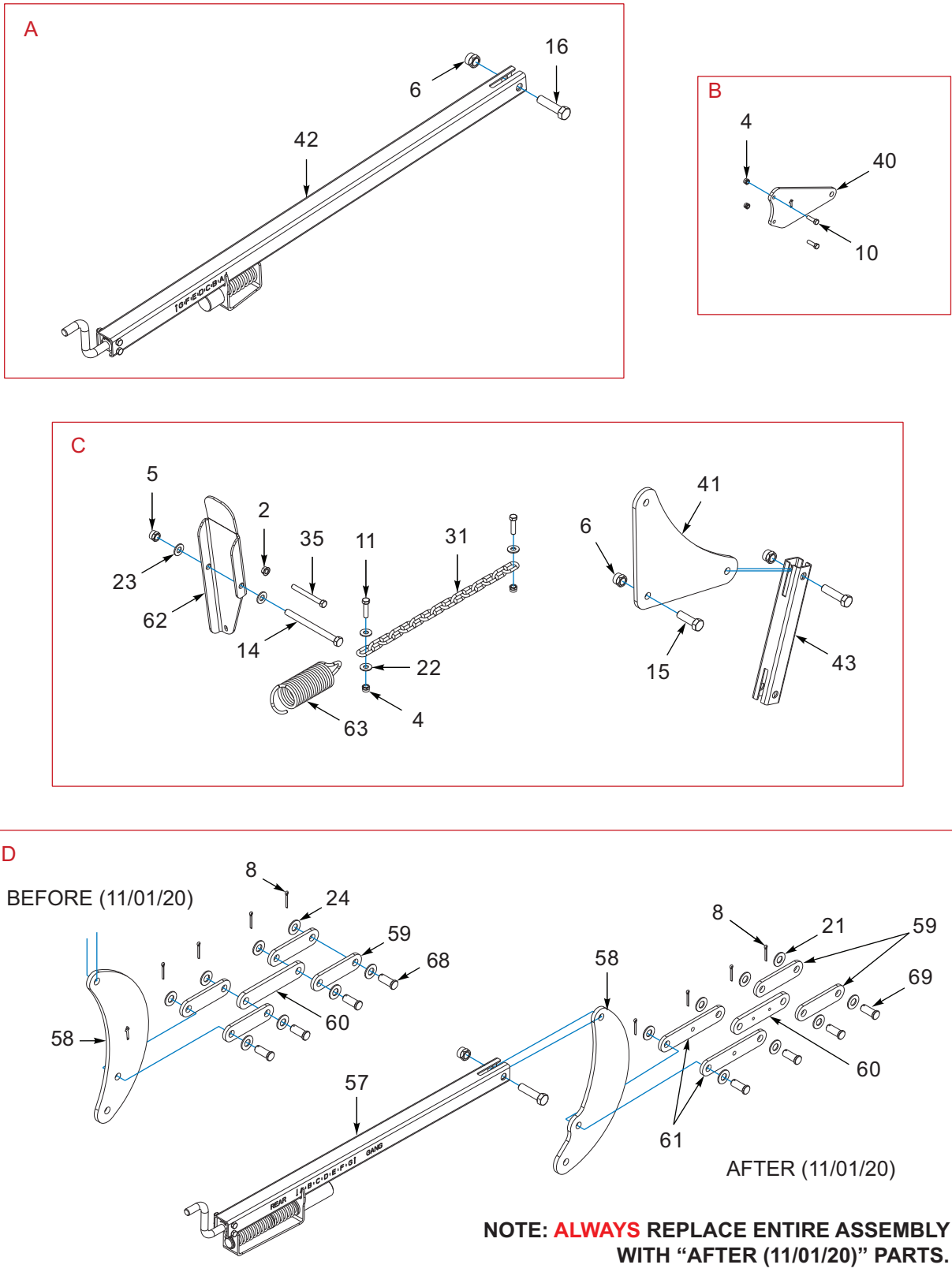


Figure 7-4: Hitch Assembly, 35' & 40'

## Hitch Assembly, 35' & 40'

ITEM	PART NUMBER	DESCRIPTION	QTY.
	201220	HITCH-7833-35, 40, ASM	--
1	1-298-010001-1	ZERK FITTING 1/4 SAE	2
2	1-510-010001	NUT,3/8-16 FLANGE HD,SERRATED	1
3	1-512-010005-03	NUT HEX SLFLKG GRB 5/16-18	8
4	1-512-010005-05	NUT, HEX, SLFLKG GRB 3/8-16	38
5	1-512-010005-09	NUT,HEX,SLFLKG, 1/2-13 GRB	3
6	1-512-010005-13	NUT,HEX SLFLKG GRB 5/8-11	6
7	1-512-010005-15	NUT,HEX,SLFLKG GRB 3/4-10	22
8	1-557-010362-40	PIN, COTTER 5/32X1-1/4	4
9	1-647-010004259	SPRING PIN, SLOTTED 3/8X3	1
10	1-654-010051-06	SCREW, HEX CAP 3/8-16UNCX1-1/4	6
11	1-654-010051-07	SCREW, HEX CAP,3/8-16UNCX1-1/2	2
12	1-654-010051-08	SCREW, HEX CAP,3/8-16X1-3/4 G	32
13	1-654-010055-01	SCREW, HX CP 1/2-13UNCX1 GR5	8
14	1-654-010055-17	SCREW, HEX CAP,1/2-13UNCX6 GR5	1
15	1-654-010059-05	SCREW, HEX CAP,5/8-11UNCX2 GR5	2
16	1-654-010059-07	SCREW, HX CP 5/8-11UNCX2-1/2G5	4
17	1-654-010061-06	SCREW, HXCP,3/4-10UNCX2-1/4GR5	10
18	1-654-010061-07	SCREW, HEX, 3/4-10UNCX2-1/2GR5	8
19	1-822-010001	TRIM, 1350 3/8 BLK FINE PEBBLE	7
20	1-861-010032-08	WASHER, FLAT 5/16 N ZP/CD 100829	2
21	1-861-010032-10	WASHER, FLAT 3/8 N ZP/CD	36
22	1-861-010032-11	WASHER, FLAT 3/8 W ZP/CD	3
23	1-861-010032-14	WASHER, FLAT 1/2 N ZP/CD	2
24	1-861-010032-18	WASHER, FLAT 5/8 N ZP/CD	8
25	1-861-010034-11	WASHER, LKG HLCL SPR, 3/8	8
26	1-861-010034-13	WASHER, LKG HLCL SPR, 1/2	8
27	100131	SCREW, HHC,3/8-16UNCX7/8 GR5	4
28	100857	SCREW, HHCS,1-1/4-7X13-1/2 GR8	2
29	101385	NUT,HEX SLFLKG,1-1/4-7 GRB	2
30	104483	SCREW 3/4-10X2-1/2 HXCP ZPGR8	10
31	133937	CHAIN, LIFTING HARROW, WP	1
32	140519	BEARING, UHMW 4IN	3
33	141154	WASHER, GANG SHAFT	1
34	141234	WLDMT, BEARING CAP LIFT	1
35	141807	SCREW, 3/8-16UNCX3-1/2 ALLTHRD	1
36	144341	BUSHING, SPRING 3-1/4X3X2	4
37	153827	SHIM, LIFT BEARING	2
38	187284	HITCH GUIDE	2
39	187288	HITCH STOP	4
40	187639	PLATE - LIFT CONTROL	1
41	187642	PLATE-DEPTH CONTROL LINK	1
42	187643	TUBE ASSY DEPTH CONTROL (SEE PAGE 7-11)	1
43	187645	TUBE-DEPTH STOP LINK	1
44	188707	PAD-STOP	2
45	188708	PAD-STOP	2
46	188837	REST WLDMT WING	1
47	192522	ROCKSHAFT WLDMT 7831	1
48	193814	HUB/SPINDLE ASSY 10 BOLT (SEE PAGE 4-4)	2



## Hitch Assembly, 35' & 40'

ITEM	PART NUMBER	DESCRIPTION	QTY.
49	195275	WRENCH, ADJUSTMENT	1
50	199917	HITCH WLDMT LONG 7833	1
51	2-150-010174	BUSHING,1-5/8X1-1/4X1	4
52	201200	PIN-STEP, 2-1/2 X 11-1/2	1
53	203391	PLATE-BULKHEAD MOUNT	1
54	201281	TIRE/WHEEL 710/40 LH <b>(BEFORE 03/01/2018)</b>	1
54	203407	TIRE & WHEEL, 800/40,LH,ASM <b>(AFTER 03/01/2018)</b>	1
55	201282	TIRE/WHEEL 710/40 RH <b>(BEFORE 03/01/2018)</b>	1
55	203408	TIRE & WHEEL, 800/40,RH,ASM <b>(AFTER 03/01/2018)</b>	1
56	203477	SHIM-HITCH, FORMED	2
57	209377	TUBE-TILT STOP, ASSY	1
58	209380	PLATE-TILT STOP <b>(BEFORE 11/01/2020) (SEE FIGURE 7-4, D)</b> <b>(REPLACE WITH UPDATED PART ASSEMBLY)</b>	1
58	227899	PLATE-TILT STOP <b>(AFTER 11/01/2020)</b>	1
59	209381	LINK-TILT STOP, SHORT <b>(BEFORE 11/01/2020, QTY=4)</b> <b>(SEE FIGURE 7-4, D)</b> <b>(REPLACE WITH UPDATED PART ASSEMBLY)</b>	2
60	209382	LINK-TILT STOP, LONG <b>(BEFORE 11/01/2020) (SEE FIGURE 7-4, D)</b> <b>(REPLACE WITH UPDATED PART ASSEMBLY)</b>	1
60	227901	LINK-TILT STOP, INTERMED <b>(AFTER 11/01/2020)</b>	1
61	227902	LINK-TILT STOP, FRONT <b>(AFTER 11/01/2020)</b>	2
62	201202	LEVER-VALVE CONTROL <b>(BEFORE 03/01/2018) (NOT SHOWN)</b>	1
62	209384	LEVER-VALVE CONTROL <b>(AFTER 03/01/2018)</b>	1
63	210764	SPRING-EXT,7.5 X 2.4, 49 LB	1
64	210882	DECAL, TILT CONTROL (NOT SHOWN)	1
65	219951	WRENCH-ADJSTMNT,2-5/8 X 2-1/4	1
66	219953	WRENCH-2-3/4 X 2-1/4	1
67	226570	BEARING CAP, LIFT, HD WLDMT	2
68	23085	NUT HEX SLOTTED 1 3/4-5	1
69	3K287	CLEVIS PIN	4
70	70239854	PIN QUICK HITCH	1
71	8K756	ROLL PIN 1/2 x 4	1
72	W908409-4	SCREW 3/4-10X6 HEX HD CAP	2

# Hitch Components

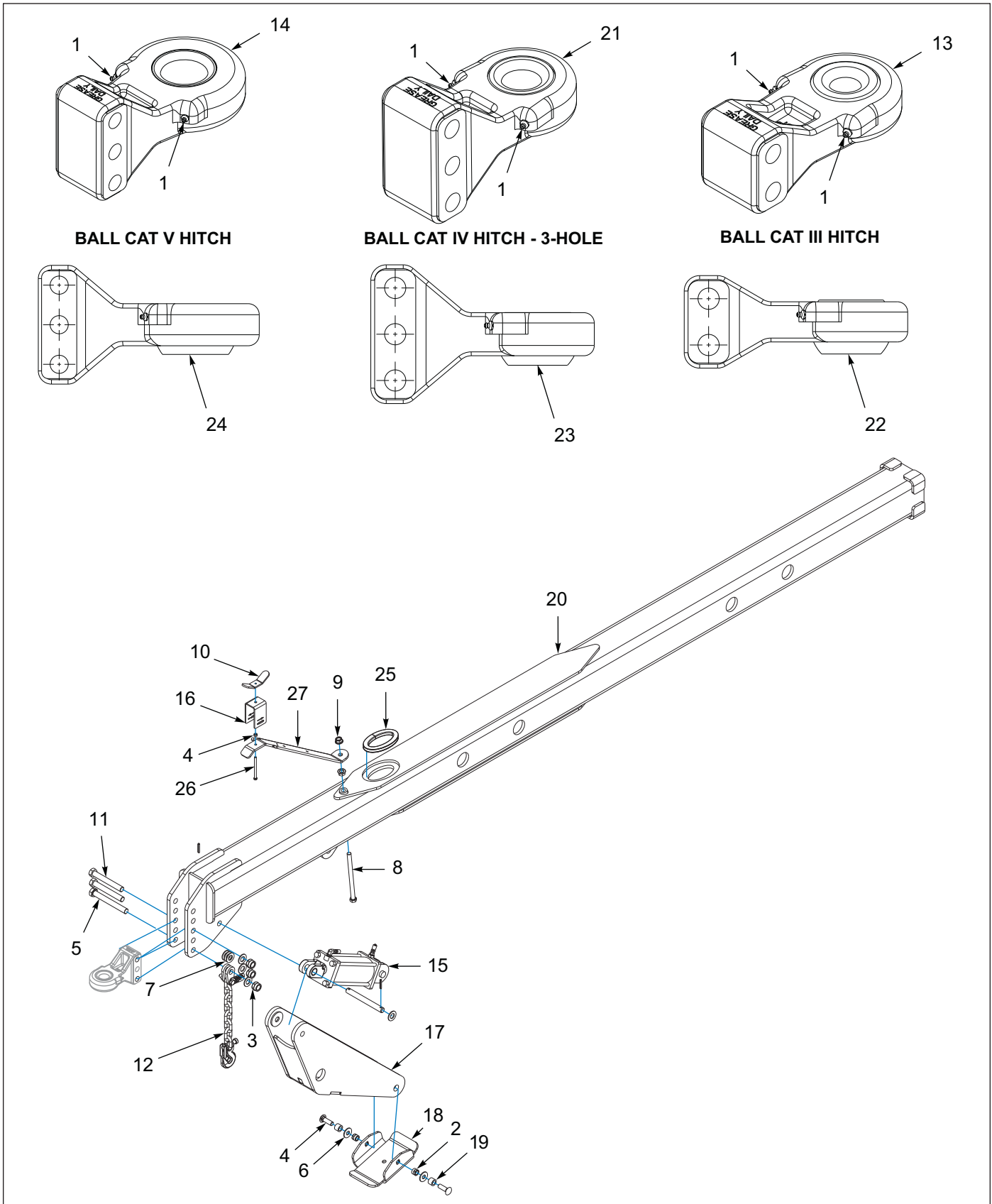


Figure 7-5: Hitch Components

## Hitch Components

ITEM	PART NUMBER	DESCRIPTION	QTY.
1	1-298-010001-1	ZERK FITTING 1/4 SAE	1
2	1-512-010005-15	NUT,HEX,SLFLKG GRB 3/4-10	2
3	1-512-010005-19	NUT 1-8 HEX SLF-LOCKING GRB	3
4	1-512-010007-07	NUT, HEX 3/8-16 GR2 ZP	1
5	1-654-010125-22	SCREW HX CP 1-8UNCX8-1/2G8ZP	1
6	1-861-010032-21	WASHER, FLAT 3/4 W ZP/CD	2
7	1-861-010032-24	WASHER FL 1IN NARROW ZP	6
8	100809	SCREW,HEX CAP,3/4-10X11-1/2G5	1
9	103841	NUT,FLG,LNK,SERRATED 3/4-10UNC	2
10	141249	WING NUT, HOSE HOLDER	1
11	153696	BOLT, HITCH CLEVIS	1
12	156950	SAFETY CHAIN, 41,000 LB	1
13	177030	HITCH, BALL CAT III	1
14	177032	HITCH, BALL CAT V	1
15	177389	CYLINDER,HYD 4-1/2X8 3000 PSI (SEE PAGE 17-62)	1
16	177398	CLAMP, HOSE HOLDER, LONG	1
17	187679	LEG WLDMT JACK	1
18	187680	FOOT - JACK LEG	1
19	187681	BUSHING 1.25 X .812 X .9375	1
20	187763	HITCH WLDMT 7831 - 25/30	1
20	192570	HITCH WLDMT 7831- 35	1
20	196709	HITCH WLDMT 7831- 40	1
21	189451	HITCH, BALL CAT IV 3-HOLE	1
22	189453	BUSHING, SPHERICAL 1-1/2 ID	1
23	189454	BUSHING, SPHERICAL 2 ID	1
24	189468	BUSHING, SPHERICAL 2-3/4 ID	1
25	195147	TRIM-LOK 2000SB3 X 5/8 BLK	1
26	196754	SCREW,HH 3/8-16X5,GR5,FUL THRD	1
27	200829	BRACKET, HOSE HOLDER	1

## Depth Control Tube Assembly (USED ON HITCH ASSEMBLY)

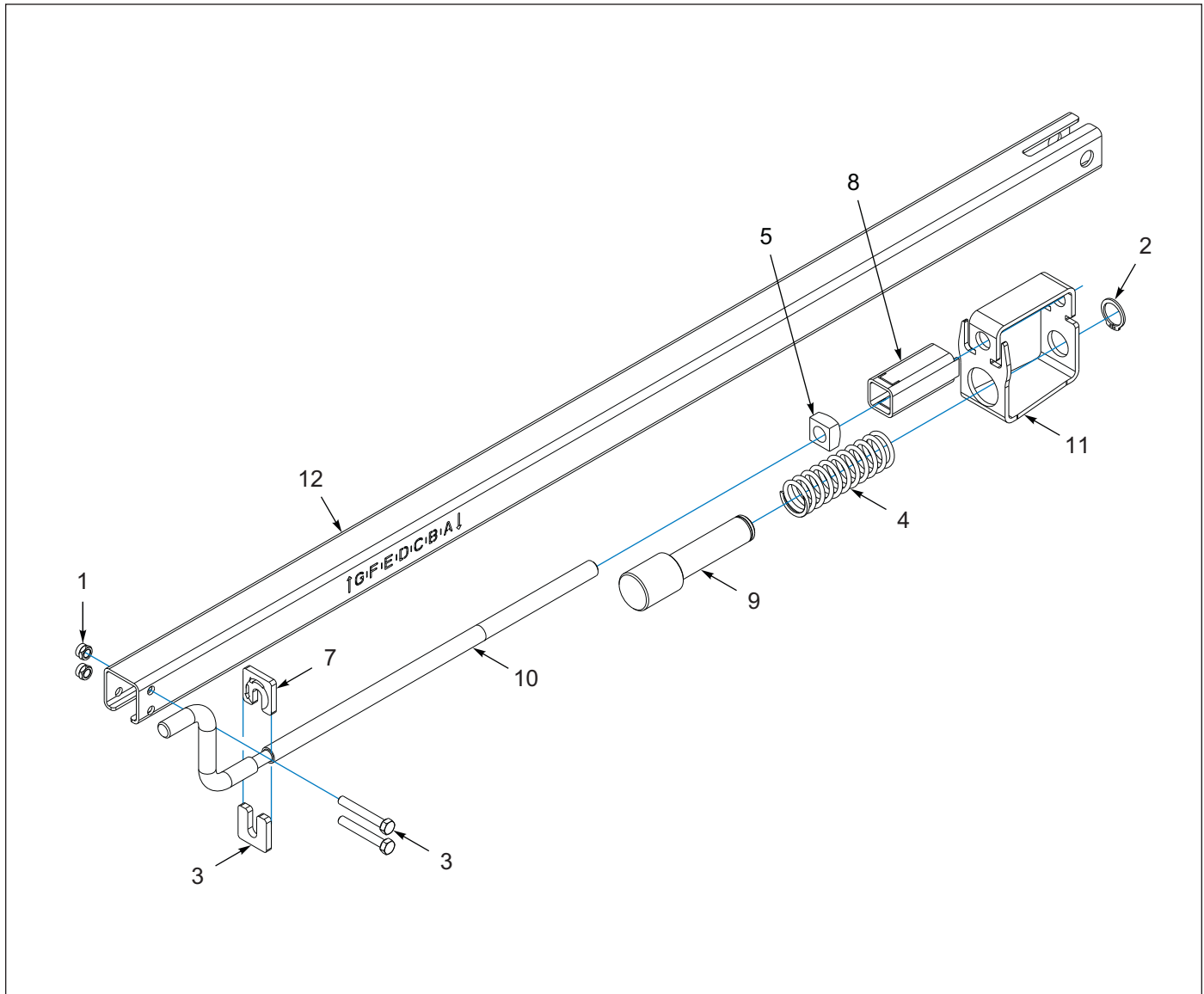


Figure 7-6: Depth Control Tube Assembly (USED ON HITCH ASSEMBLY)

## Depth Control Tube Assembly (USED ON HITCH ASSEMBLY)

ITEM	PART NUMBER	DESCRIPTION	QTY.
1	1-512-010005-03	NUT, HEX SLFLKG, 5/16-18 UNC, GRB	2
2	1-630-010021-03	RING, RETAINING 1 HD	1
3	108628	SCREW, HEX 5/16-18 X 2-1/4 GR5	2
4	122917	SPRING, CMPNDRESSION 4-1/2, MONOSEM	1
5	144048	NUT, SQ 5/8-11 GR5	1
6	165259	STOP, HANDLE LONG	1
7	165260	STOP, HANDLE SHORT	1
8	166717	SQ TUBE, FLOATING	1
9	174708	PIN, DEPTH STOP	1
10	182288	HANDLE, DEPTH STOP	1
11	182289	STOP, DEPTH	1
12	187644	TUBE, DEPTH STOP 7831	1

# Tilt Stop Assembly

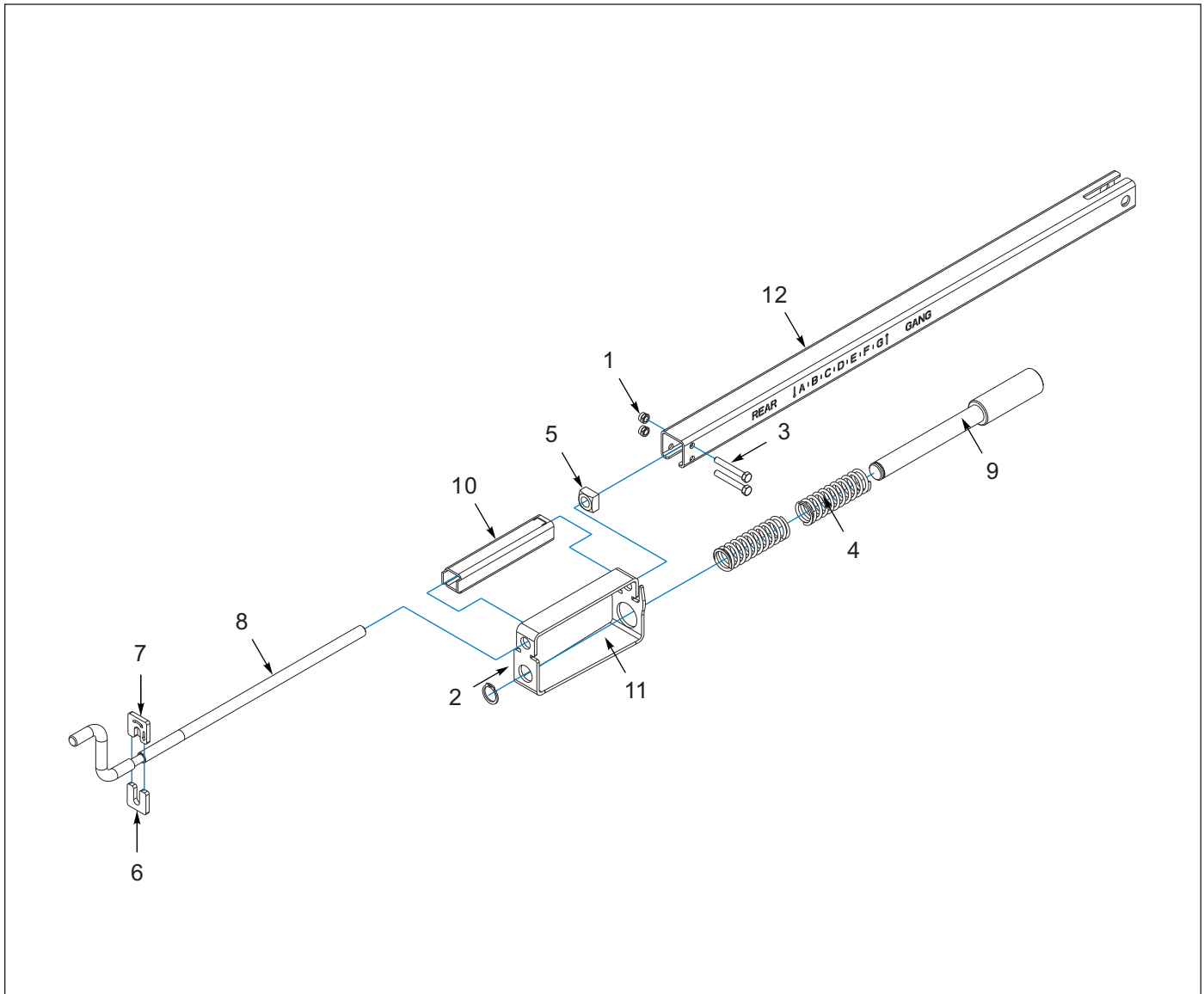


Figure 7-7: Tilt Stop Assembly

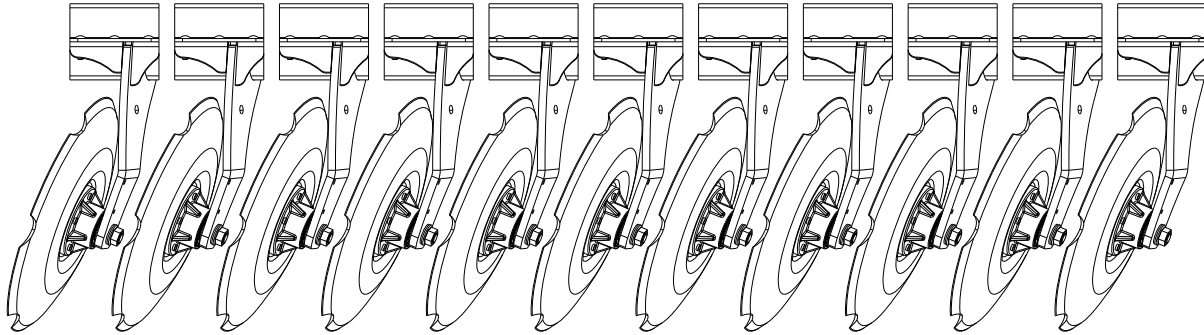
## Tilt Stop Assembly

ITEM	PART NUMBER	DESCRIPTION	QTY.
1	1-512-010005-03	NUT, HEX SLFLKG, 5/16-18 UNC, GRB	2
2	1-630-010021-03	RING, RETAINING 1 HD	1
3	108628	SCREW, HEX 5/16-18 X 2-1/4 GR5	2
4	122917	SPRING, CMPNDRESSION 4-1/2, MONOSEM	1
5	144048	NUT, SQ 5/8-11 GR5	1
6	165259	STOP, HANDLE LONG	1
7	165260	STOP, HANDLE SHORT	1
8	182288	HANDLE, DEPTH STOP	1
9	209354	PIN-DEPTH STOP	1
10	209357	TUBE-FLOATING SQUARE	1
11	210863	BRACKET-STOP	1
12	210865	TUBE-TILT STOP	1

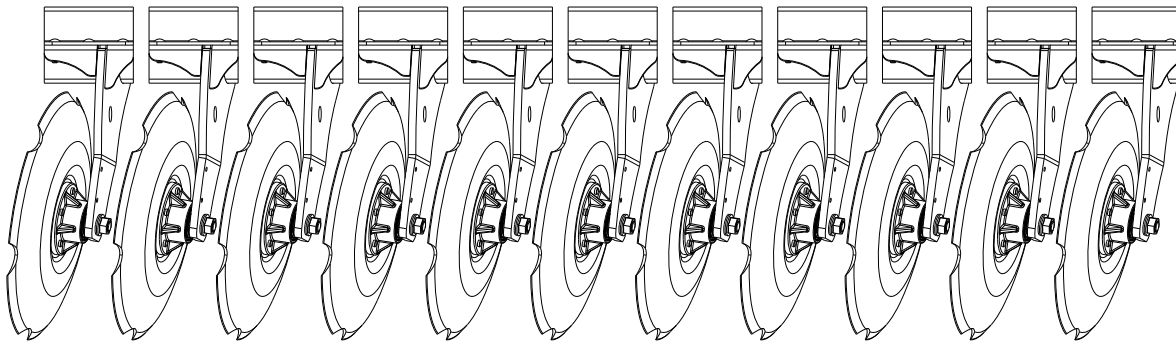
# Center Section (Front) Disc Assemblies

## Center Section (Front) Disc Assemblies

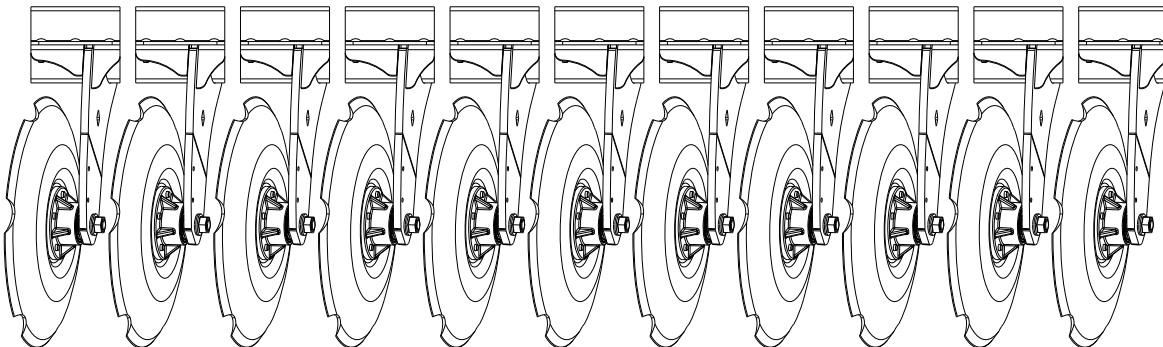
(1) COMPOUND



(2) HYBRID



(3) VERTICAL



**NOTE:** SHOWN WITH NOTCHED BLADE, ALSO AVAILABLE WITH SMOOTH & ROLLABLE BLADES  
**NOTE:** GANGBARS SHOWN AS VIEWED FROM REAR OF MACHINE

Figure 8-1: Center Section (Front) Disc Assemblies

## Center Section (Front) Disc Assemblies

ITEM	PART NUMBER	DESCRIPTION	QTY.
1	195152	DISC-LH COMP, NTCHD, ASSY (SHOWN) (BEFORE 03/01/2018) (SEE PAGE 14-1)	11
1	201293	DISC-LH COMP, SM, ASSY (BEFORE 03/01/2018) (SEE PAGE 14-1)	11
1	201297	DISC-LH COMP, ROLL, ASSY (BEFORE 03/01/2018) (SEE PAGE 14-1)	11
1	209205	DISC-LH,COMP, NTCHD, ASSY (SHOWN) (03/01/18 - 03/01/19) (SEE PAGE 14-1)	11
1	209207	DISC-LH, COMP, SM, ASSY (03/01/18 - 03/01/19) (SEE PAGE 14-1)	11
1	209211	DISC-LH, COMP, ROLL, ASSY (03/01/18 - 03/01/19) (SEE PAGE 14-1)	11
1	217291	DISC-LH,COMP17-20,NOTCHD ASSY (AFTER 03/01/2019) (SEE PAGE 14-2)	11
1	217293	DISC-LH,COMP17-20,SMOOTH ASSY (AFTER 03/01/2019) (SEE PAGE 14-2)	11
1	217295	DISC-LH,COMP17-20, ROLL ASSY (AFTER 03/01/2019) (SEE PAGE 14-2)	11
2	207517	DISC-LH, HYBRD, NTCHD, ASSY (SHOWN) (03/01/18 - 03/01/19) (SEE PAGE 14-5)	11
2	209209	DISC-LH, HYBRD, SM, ASSY (03/01/18 - 03/01/19) (SEE PAGE 14-5)	11
2	209213	DISC-LH, HYBRD, ROLL, ASSY (03/01/18 - 03/01/19) (SEE PAGE 14-5)	11
2	217315	DISC-LH,HYBRID,17-7,NOTCHD ASM (AFTER 03/01/2019) (SEE PAGE 14-6)	11
2	217317	DISC,LH,HYBRID,17-7,SMOOTH ASM (AFTER 03/01/2019) (SEE PAGE 14-6)	11
2	217319	DISC,LH,HYBRID,17-7,ROLL ASM (AFTER 03/01/2019) (SEE PAGE 14-6)	11
3	195131	DISC-LH, VERT, NTCHD, ASSY (SHOWN) (BEFORE 03/01/2018) (SEE PAGE 14-3)	11
3	201295	DISC-LH, VERT, SM, ASSY (BEFORE 03/01/2018) (SEE PAGE 14-3)	11
3	201299	DISC-LH, VERT, ROLL, ASSY (BEFORE 03/01/2018) (SEE PAGE 14-3)	11
3	207508	DISC-LH, VERT, NTCHD, ASSY (SHOWN) (03/01/18 - 03/01/19) (SEE PAGE 14-3)	11
3	212229	DISC-LH, VERT, SM, ASSY (03/01/18 - 03/01/19) (SEE PAGE 14-3)	11
3	212231	DISC-LH, VERT, ROLL, ASSY (03/01/18 - 03/01/19) (SEE PAGE 14-3)	11
3	217305	DISC-LH, VERT,17P, NOTCHD, ASM (AFTER 03/01/2019) (SEE PAGE 14-4)	11
3	217307	DISC-LH, VERT,17P, SMOOTH, ASM (AFTER 03/01/2019) (SEE PAGE 14-4)	11
3	217309	DISC-LH, VERT,17P, ROLL, ASM (AFTER 03/01/2019) (SEE PAGE 14-4)	11



# Center Section (Rear) Gang Assemblies

## Center Section (Rear) Gang Assemblies

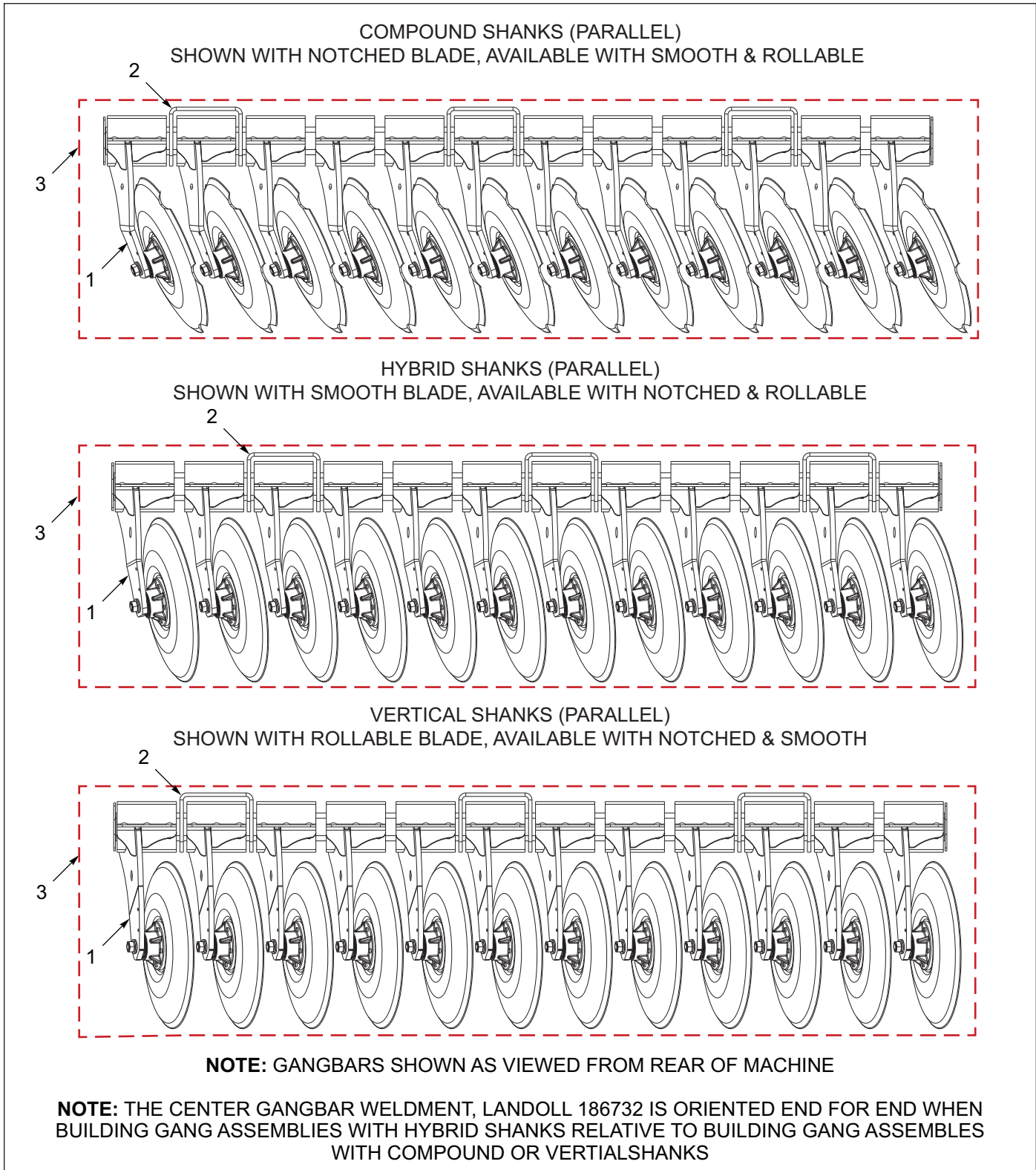


Figure 9-1: Center Section (Rear) Gang Assemblies



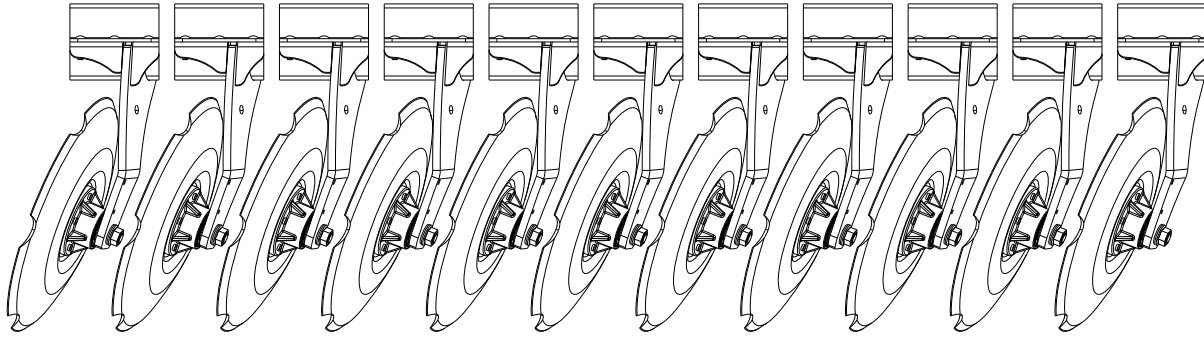
## Center Section (Rear) Gang Assemblies

ITEM	PART NUMBER	DESCRIPTION	QTY.
1	195153	DISC-RH, CMPND, NTCHD, ASSY (BEFORE 03/01/2018)	12
1	201294	DISC-RH, CMPND, NTCHD, ASSY (BEFORE 03/01/2018)	12
1	201298	DISC-RH, CMPND, ROLLABLE, ASSY (BEFORE 03/01/2018)	12
1	195132	DISC-RH, VERT, NTCHD, ASSY (BEFORE 03/01/2018)	12
1	201296	DISC-RH, VERT, SM, ASSY (BEFORE 03/01/2018)	12
1	201300	DISC-RH, VERT, SM ROLLABLE, ASSY (BEFORE 03/01/2018)	12
1	209206	DISC-RH, CMPND, NTCHD, ASSY (03/01/18 - 03/01/19)	12
1	209208	DISC-RH, CMPND, SM, ASSY (03/01/18 - 03/01/19)	12
1	209212	DISC-RH, CMPND, ROLLABLE, ASSY (03/01/18 - 03/01/19)	12
1	207509	DISC-RH, VERT, NTCHD, ASSY (03/01/18 - 03/01/19)	12
1	212230	DISC-RH, VERT, SM, ASSY (03/01/18 - 03/01/19)	12
1	212232	DISC-RH, VERT, ROLLABLE, ASSY (03/01/18 - 03/01/19)	12
1	207518	DISC-RH, HYBR, 17-7, NOTCHD, ASSY (03/01/18 - 03/01/19)	12
1	209210	DISC-RH, HYBRD, 17-7, SMOOTH, ASM (03/01/18 - 03/01/19)	12
1	209214	DISC-RH, HYBR, 17-7, ROLLABLE, ASM (03/01/18 - 03/01/19)	12
1	217292	DISC-RH, COMP17-20, NOTCHD ASSY (AFTER 03/01/2019)	12
1	217294	DISC-RH, COMP17-20, SMOOTH ASSY (AFTER 03/01/2019)	12
1	217296	DISC-RH, COMP17-20, ROLL ASSY (AFTER 03/01/2019)	12
1	217306	DISC-RH, VERT, 17P, NOTCHD, ASM (AFTER 03/01/2019)	12
1	217308	DISC-RH, VERT, 17P, SMOOTH, ASM (AFTER 03/01/2019)	12
1	217310	DISC-RH, VERT, 17P, ROLL, ASM (AFTER 03/01/2019)	12
1	217316	DISC, RH, HYBRID, 17-7, NOTCHD ASM (AFTER 03/01/2019)	12
1	217318	DISC, RH, HYBRID, 17-7, SMOOTH ASM (AFTER 03/01/2019)	12
1	217320	DISC, RH, HYBRID, 17-7, ROLL ASM (AFTER 03/01/2019)	12
2	186732	GANG BAR WLDMT CENTER 7831	1
3	187014	GANG-R, CNTR, CMPND, NTCHD, ASSY (REV B) (BEFORE 03/01/2018)	1
		GANG-R, CNTR, CMPND, NTCHD, ASSY (REV C) (AFTER 03/01/2018)	
3	192964	GANG-R, CNTR, VERT, NTCHD, ASSY (REV B) (BEFORE 03/01/2018)	1
		GANG-R, CNTR, VERT, NTCHD, ASSY (REV C) (AFTER 03/01/2018)	
		(INCLUDES 12 OF 207509 AND 1 186732)	
3	212236	GANG-R, CNTR, HYBRD, NTCHD, ASSY (AFTER 03/01/2018)	1
3	198841	GANG-R, CNTR, CMPND, SM, ASSY (REV A) (BEFORE 03/01/2018)	1
		GANG-R, CNTR, CMPND, SM, ASSY (REV B) (AFTER 03/01/2018)	
3	198844	GANG-R, CNTR, VERT, SM, ASSY (REV A) (BEFORE 03/01/2018)	1
		(INCLUDES 12 OF 212230 AND 1 186732)	
		GANG-R, CNTR, VERT, SM, ASSY (REV B) (AFTER 03/01/2018)	
3	212237	GANG-R, CNTR, HYBRD, SM, ASSY (AFTER 03/01/2018)	1
3	198906	GANG-R, CNTR, CMPND, ROLL, ASSY (REV A) (BEFORE 03/01/2018)	1
		GANG-R, CNTR, CMPND, ROLL, ASSY (REV B) (AFTER 03/01/2018)	
3	198916	GANG-R, CNTR, VERT, ROLL, ASSY (REV A) (BEFORE 03/01/2018)	1
		(INCLUDES 12 OF 212232 AND 1 186732)	
		GANG-R, CNTR, VERT, ROLL, ASSY (REV B) (AFTER 03/01/2018)	
3	212238	GANG-R, CNTR, HYBRD, ROLL, ASSY (AFTER 03/01/2018)	1

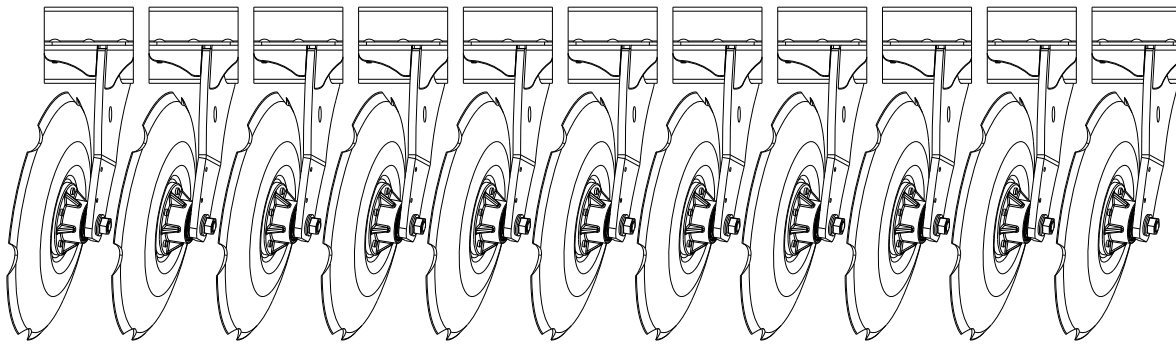
# Left Wing (Front) Disc Assemblies

## Left Wing (Front) Disc Assemblies

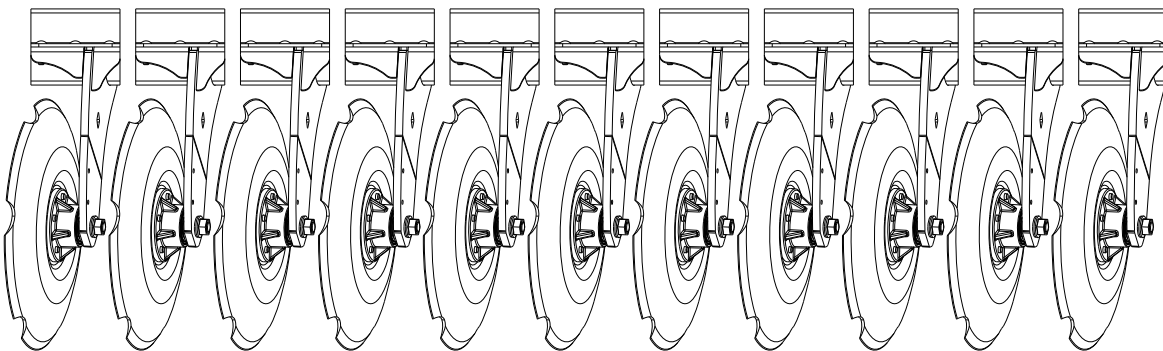
(1) COMPOUD



(2) HYBRID



(3) VERTICAL



**NOTE:** SHOWN WITH NOTCHED BLADE, ALSO AVAILABLE WITH SMOOTH & ROLLABLE BLADES  
**NOTE:** GANGBARS SHOWN AS VIEWED FROM REAR OF MACHINE

Figure 10-1: Left Wing (Front) Disc Assemblies

## Left Wing (Front) Disc Assemblies

ITEM	PART NUMBER	DESCRIPTION	QTY.			
			25'	30'	35'	40'
	201211	WING ASSEMBLY, 7833-25 LH	*	--	--	--
	201213	WING ASSEMBLY, 7833-30 LH	--	*	--	--
	201215	WING ASSEMBLY, 7833-35 LH	--	--	*	--
	201217	WING ASSEMBLY, 7833-40 LH	--	--	--	*
1	195152	DISC-LH, COMP, NTCHD, ASSY <b>(SHOWN)</b> <b>(BEFORE 03/01/2018) (SEE PAGE 14-1)</b>	8	11	14	17
1	201293	DISC-LH, COMP, SM, ASSY <b>(BEFORE 03/01/2018)</b>	8	11	14	17
1	201297	DISC-LH, COMP, ROLL, ASSY <b>(BEFORE 03/01/2018)</b>	8	11	14	17
1	209205	DISC-LH, COMP, NTCHD, ASSY <b>(SHOWN)</b> <b>(03/01/18 - 03/01/19) (SEE PAGE 14-2)</b>	9	12	15	18
1	209207	DISC-LH, COMP, SM, ASSY <b>(03/01/18 - 03/01/19)</b>	9	12	15	18
1	209211	DISC-LH, COMP, ROLL, ASSY <b>(03/01/18 - 03/01/19)</b>	9	12	15	18
1	217291	DISC-LH,COMP17-20,NOTCHD ASSY <b>(AFTER 03/01/2018) (SEE PAGE 14-2)</b>	9	12	15	18
1	217293	DISC-LH,COMP17-20,SM,ASSY <b>(AFTER 03/01/2018)</b>	9	12	15	18
1	217295	DISC-LH,COMP17-20, ROLL ASSY <b>(AFTER 03/01/2018)</b>	9	12	15	18
2	207517	DISC-LH, HYBRD, NTCHD, ASSY <b>(SHOWN)</b> <b>(BEFORE 03/01/2019) (SEE PAGE 14-5)</b>	9	12	15	18
2	209209	DISC-LH, HYBRD, SM, ASSY <b>(BEFORE 03/01/2019)</b>	9	12	15	18
2	209213	DISC-LH, HYBRD, ROLL, ASSY <b>(BEFORE 03/01/2019)</b>	9	12	15	18
2	217315	DISC-LH,HYBRID,17-7,NOTCHD ASM <b>(AFTER 03/01/2018) (SEE PAGE 14-6)</b>	9	12	15	18
2	217317	DISC,LH,HYBRID,17-7,SMOOTH ASM <b>(AFTER 03/01/2018)</b>	9	12	15	18
2	217319	DISC,LH,HYBRID,17-7,ROLL ASM <b>(AFTER 03/01/2018)</b>	9	12	15	18
3	195131	DISC-LH, VERT, NTCHD, ASSY <b>(BEFORE 03/01/2018) (SEE PAGE 14-3)</b>	8	11	14	17
3	201295	DISC-LH, VERT, SM, ASSY <b>(BEFORE 03/01/2018)</b>	8	11	14	17
3	201299	DISC-LH, VERT, ROLL, ASSY <b>(BEFORE 03/01/2018)</b>	8	11	14	17
3	207508	DISC-LH, VERT, NTCHD, ASSY <b>(SHOWN)</b> <b>(03/01/18 - 03/01/19) (SEE PAGE 14-4)</b>	9	12	15	18
3	212229	DISC-LH, VERT, SM, ASSY <b>(03/01/18 - 03/01/19)</b>	9	12	15	18
3	212231	DISC-LH, VERT, ROLL, ASSY <b>(03/01/18 - 03/01/19)</b>	9	12	15	18
3	217305	DISC-LH, VERT,17P, NOTCHD, ASM <b>(AFTER 03/01/2018) (SEE PAGE 14-4)</b>	9	12	15	18
3	217307	DISC-LH, VERT,17P, SMOOTH,ASM <b>(AFTER 03/01/2018)</b>	9	12	15	18
3	217309	DISC-LH, VERT,17P, ROLL, ASM <b>(AFTER 03/01/2018)</b>	9	12	15	18
4	200794	DISC COVER DISC COMP, NTCHD, 22IN, ASSY <b>(NOT SHOWN) (BEFORE 03/01/2018)</b> <b>(ONLY WHEN ORDERED WITH NOTCHED BLADES)</b>	1	1	1	1
4	200795	DISC COVER DISC COMP, SM, 22IN, ASSY <b>(NOT SHOWN) (BEFORE 03/01/2018)</b> <b>(ONLY WHEN ORDERED WITH SMOOTH OR ROLLABLE BLADES)</b>	1	1	1	1

# Left Wing (Rear) Gang Assemblies

## 25' Gang Assemblies (Left Wing - Rear)

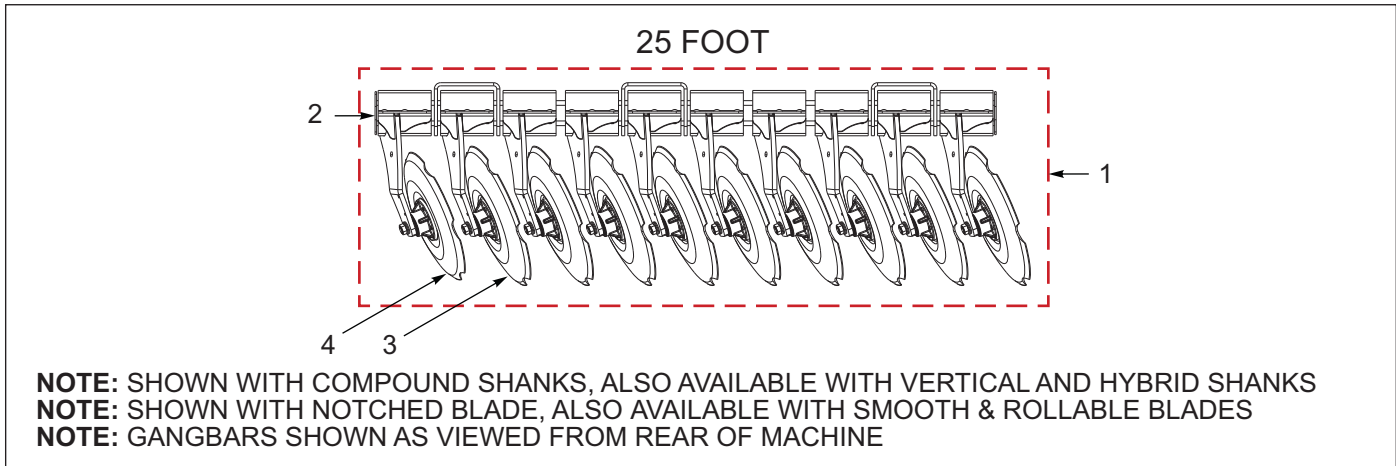


Figure 11-1: 25' Gang Assemblies (Left Wing - Rear)

## 25' Gang Assemblies (Left Wing - Rear)

ITEM	PART NUMBER	DESCRIPTION	QTY.
1	188767	GANG-25, LR, CMPND, NTCHD, ASSY (SHOWN) (ITEMS #3 (9) 195153, #4 (1) 208634 (BEFORE 03/01/2018)) (ITEMS #3 (9) 209206, #4 (1) 212242 (03/01/18 - 03/01/19)) (ITEMS #3 (9) 217292, #4 (1) 217297 (AFTER 03/01/2019))	1
1	192623	GANG-25, LR, VERT, NTCHD, ASSY (ITEMS #3 (9) 195132, #4 (1) 200790 (BEFORE 03/01/2018)) (ITEMS #3 (9) 207509, #4 (1) 212244 (03/01/18 - 03/01/19)) (ITEMS #3 (9) 217306, #4 (1) 217311 (AFTER 03/01/19))	1
1	198842	GANG-25, LR, CMPND, SM, ASSY (ITEMS #3 (9) 201294, #4 (1) 208633 (BEFORE 03/01/2018)) (ITEMS #3 (9) 209208, #4 (1) 212245 (03/01/18 - 03/01/19)) (ITEMS #3 (9) 217294, #4 (1) 217298 (AFTER 03/01/2019))	1
1	198845	GANG-25, LR, VERT, SM, ASSY (ITEMS #3 (9) 201296, #4 (1) 200791 (BEFORE 03/01/2018)) (ITEMS #3 (9) 212230, #4 (1) 212247 (03/01/18 - 03/01/19)) (ITEMS #3 (9) 217308, #4 (1) 217312 (AFTER 03/01/2019))	1
1	198913	GANG-25, LR, CMPND, ROLL, ASSY (ITEMS #3 (9) 201298, #4 (1) 208633 (BEFORE 03/01/2018)) (ITEMS #3 (9) 209212, #4 (1) 212245 (03/01/18 - 03/01/19)) (ITEMS #3 (9) 217296, #4 (1) 217298 (AFTER 03/01/2019))	1
1	198917	GANG-25, LR, VERT, ROLL, ASSY (ITEMS #3 (9) 201300, #4 (1) 200791 (BEFORE 03/01/2018)) (ITEMS #3 (9) 212232, #4 (1) 212247 (03/01/18 - 03/01/19)) (ITEMS #3 (9) 217310, #4 (1) 217312 (AFTER 03/01/2019))	1
1	212561	GANG-7833-25 LR, HYBR17-7 NTCHD (ITEMS #3 (9) 207518, #4 (1) 212243 (03/01/18 - 03/01/19)) (ITEMS #3 (9) 217316, #4 (1) 217321 (AFTER 03/01/2019))	1
1	212562	GANG-7833-25 LR, HYBRRID, 17-7, SM (ITEMS #3 (9) 209210, #4 (1) 212246 (03/01/18 - 03/01/19)) (ITEMS #3 (9) 217318, #4 (1) 217322 (AFTER 03/01/2019))	1

## 25' Gang Assemblies (Left Wing - Rear)

ITEM	PART NUMBER	DESCRIPTION	QTY.
1	212563	GANG7833-25 LR,HYBR,17-7, ROLL (ITEMS #3 (9) 209214, #4 (1) 212246 (03/01/18 - 03/01/19)) (ITEMS #3 (9) 217320, #4 (1) 217322 (AFTER 03/01/2019))	1
2	192961	GANGBAR WLDMT, R, LH 25	1
3	195153	DISC ASSY RH COMPOUND (NOTCHED) (BEFORE 03/01/2018) (SEE PAGE 15-1)	9
3	201294	DISC-RH, CMPND, SM, ASSY (BEFORE 03/01/2018) (SEE PAGE 15-1)	9
3	201298	DISC-RH, CMPND, ROLL ASSY (BEFORE 03/01/2018) (SEE PAGE 15-1)	9
3	195132	DISC-RH, VERT, NTCHD (BEFORE 03/01/2018) (SEE PAGE 15-4)	9
3	201296	DISC-RH, VERT, SM ASSY (BEFORE 03/01/2018) (SEE PAGE 15-4)	9
3	201300	DISC-RH, VERT, ROLL, ASSY (BEFORE 03/01/2018) (SEE PAGE 15-4)	9
3	209206	DISC-RH, CMPND, NTCHD,ASSY (SHOWN) (03/01/18 - 03/01/19) (SEE PAGE 15-1)	9
3	209208	DISC-RH, CMPND, SM, ASSY (03/01/18 - 03/01/19) (SEE PAGE 15-1)	9
3	209212	DISC-RH, CMPND, ROLL, ASSY (03/01/18 - 03/01/19) (SEE PAGE 15-1)	9
3	207509	DISC-RH, VERT, NTCHD, ASSY (03/01/18 - 03/01/19) (SEE PAGE 15-4)	9
3	212230	DISC-RH, VERT, SM, ASSY (03/01/18 - 03/01/19) (SEE PAGE 15-4)	9
3	212232	DISC-RH, VERT, ROLL, ASSY (03/01/18 - 03/01/19) (SEE PAGE 15-4)	9
3	207518	DISC-RH, HYBRID, NTCHD, ASSY (03/01/18 - 03/01/19) (SEE PAGE 15-7)	9
3	209214	DISC-RH, HYBRID, ROLL, ASSY (03/01/18 - 03/01/19) (SEE PAGE 15-7)	9
3	209210	DISC-RH, HYBRID, SM, ASSY (03/01/18 - 03/01/19) (SEE PAGE 15-7)	9
3	217292	DISC-RH,COMP17-20,NOTCHD ASSY (AFTER 03/01/2019) (SEE PAGE 15-2)	9
3	217294	DISC-RH,COMP17-20,SMOOTH ASSY (AFTER 03/01/2019) (SEE PAGE 15-2)	9
3	217296	DISC-RH,COMP17-20, ROLL ASSY (AFTER 03/01/2019) (SEE PAGE 15-2)	9
3	217306	DISC-RH, VERT,17P, NOTCHD, ASM (AFTER 03/01/2019) (SEE PAGE 15-5)	9
3	217308	DISC-RH, VERT, 17P, SMOOTH, ASM (AFTER 03/01/2019) (SEE PAGE 15-5)	9
3	217310	DISC-RH,VERT,17P, ROLL, ASM (AFTER 03/01/2019) (SEE PAGE 15-5)	9
3	217316	DISC,RH,HYBRID,17-7,NOTCHD ASM (AFTER 03/01/2019) (SEE PAGE 15-8)	9
3	217318	DISC,RH,HYBRID,17-7,SMOOTH ASM (AFTER 03/01/2019) (SEE PAGE 15-8)	9
3	217320	DISC,RH,HYBRID,17-7,ROLL ASM (AFTER 03/01/2019) (SEE PAGE 15-8)	9
4	208633	DISC-RH, FEATHER, CMPND, SM 22, ASSY (BEFORE 03/01/2018)	1
4	208634	DISC-RH, FEATHER, CMPND, NTCHD 22, ASSY (BEFORE 03/01/2018)	1
4	200790	DISC-RH, FEATHER, VERT, NTCHD, ASSY (BEFORE 03/01/2018)	1
4	200791	DISC-RH, FEATHER, VERT, SM ASSY (BEFORE 03/01/2018)	1
4	212242	DISC-RH, FEATHER, CMPND, NTCHD 22,ASSY (SHOWN) (03/01/18 - 03/01/19)	1
4	212245	DISC-RH, FEATHER, CMPND, SM 22, ASSY (03/01/18 - 03/01/19)	1
4	212243	DISC-RH, FEATHER, VERT, NTCHD 22, ASSY (03/01/18 - 03/01/19)	1
4	212244	DISC-RH, FEATHER, VERT, NTCHD 22, ASSY (03/01/18 - 03/01/19)	1
4	212247	DISC-RH, FEATHER, VERT, SM 22, ASSY (03/01/18 - 03/01/19)	1
4	212246	DISC-RH, FEATHER, HYBRID, SM 22, ASSY (03/01/18 - 03/01/19)	1
4	217297	DISC ASSY NTCHD 22 RH CMP17-20 (AFTER 03/01/2018) (SEE PAGE 15-3)	1
4	217298	DISC ASSY SMOOTH 22RH CMP17-20 (AFTER 03/01/2018) (SEE PAGE 15-3)	1
4	217311	DISC ASSY NTCHD 22RH VERT 17P (AFTER 03/01/2018)	1
4	217312	DISC ASSY SMOOTH 22RH VERT 17P (AFTER 03/01/2018)	1
4	217321	DISC,NTCHD22RH HYBRID 17-7 ASM (AFTER 03/01/2018) (SEE PAGE 15-9)	1
4	217322	DISC ASMSMOOTH22RH HYBRID17--7 (AFTER 03/01/2018) (SEE PAGE 15-9)	1



### 30' Gang Assemblies (Left Wing - Rear)

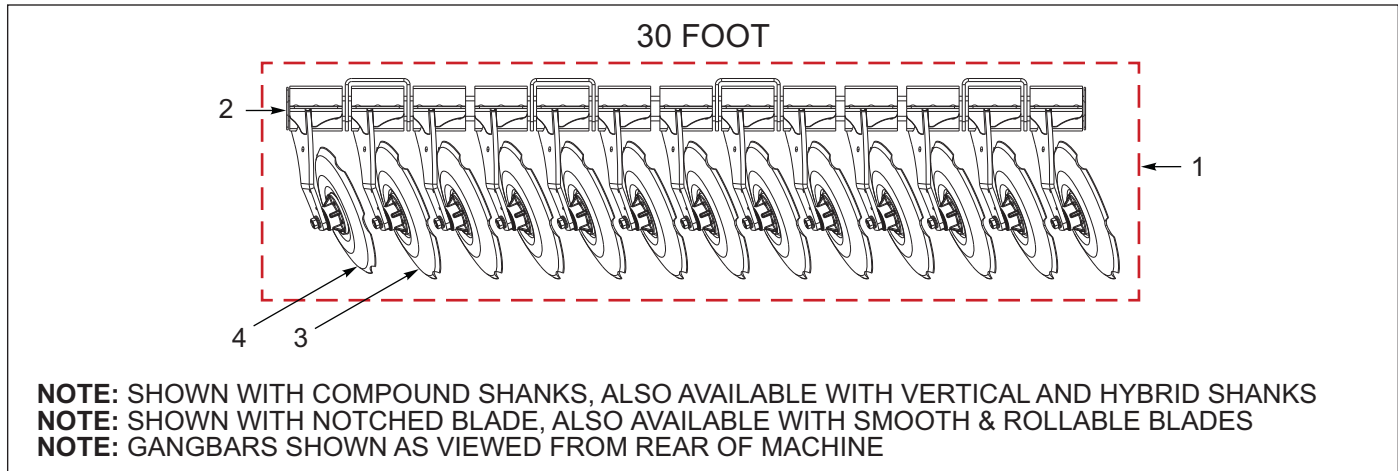


Figure 11-2: 30' Gang Assemblies (Left Wing - Rear)

### 30' Gang Assemblies (Left Wing - Rear)

ITEM	PART NUMBER	DESCRIPTION	QTY.
1	187625	GANG-30, LR, CMPND NTCHD, ASSY (SHOWN) (ITEMS #3 (12) 195153, #4 (1) 208634 (BEFORE 03/01/2018)) (ITEMS #3 (12) 209206, #4 (1) 212242 (03/01/18 - 03/01/19)) (ITEMS #3 (12) 209206, #4 (1) 212242 (AFTER 03/01/2019))	1
1	192626	GANG-30, LR, VERT, NTCHD, ASSY (ITEMS #3 (12) 195132, #4 (1) 200790 (BEFORE 03/01/2018)) (ITEMS #3 (12) 207509, #4 (1) 212244 (03/01/18 - 03/01/19)) (ITEMS #3 (12) 217306, #4 (1) 217311 (AFTER 03/01/2019))	1
1	198850	GANG-30, LR, VERT, SM, ASSY (ITEMS #3 (12) 201296, #4 (1) 200791 (BEFORE 03/01/2018)) (ITEMS #3 (12) 212230, #4 (1) 212247 (03/01/18 - 03/01/19)) (ITEMS #3 (12) 217308, #4 (1) 217312 (AFTER 03/01/2019))	1
1	198851	GANG-30, LR, CMPD, SM, ASSY (ITEMS #3 (12) 201294, #4 (1) 208633 (BEFORE 03/01/2018)) (ITEMS #3 (12) 209208, #4 (1) 212245 (03/01/18 - 03/01/19)) (ITEMS #3 (12) 217294, #4 (1) 217298 (AFTER 03/01/2019))	1
1	198919	GANG-30, LR, CMPND, ROLL, ASSY (ITEMS #3 (12) 201298, #4 (1) 208633 (BEFORE 03/01/2018)) (ITEMS #3 (12) 209212, #4 (1) 212245 (03/01/18 - 03/01/19)) (ITEMS #3 (12) 217296, #4 (1) 217298 (AFTER 03/01/2019))	1
1	198922	GANG-30 LR VERT ROLL, ASSY (ITEMS #3 (12) 201300, #4 (1) 200791 (BEFORE 03/01/2018)) (ITEMS #3 (12) 212232, #4 (1) 212247 (03/01/18 - 03/01/19)) (ITEMS #3 (12) 217310, #4 (1) 217312 (AFTER 03/01/2019))	1
1	212579	GANG-7833-30 LR, HYBR17-17, NTCHD (ITEMS #3 (12) 207518, #4 (1) 212243 (03/01/18 - 03/01/19)) (ITEMS #3 (12) 217316, #4 (1) 217321 (AFTER 03/01/2019))	1
1	212580	GANG-7833-30 LR, HYBRID, 17-7, SM (ITEMS #3 (12) 209210, #4 (1) 212246 (03/01/18 - 03/01/19)) (ITEMS #3 (12) 217318, #4 (1) 217322 (AFTER 03/01/2019))	1
1	212581	GANG-7833-30 LR, HYBR, 17-7, ROLL (ITEMS #3 (12) 209214, #4 (1) 212246 (03/01/18 - 03/01/19)) (ITEMS #3 (12) 217320, #4 (1) 217322 (AFTER 03/01/2019))	1

### 30' Gang Assemblies (Left Wing - Rear)

ITEM	PART NUMBER	DESCRIPTION	QTY.
2	192967	GANGBAR WLDMT, R, LH 30	1
3	195153	DISC ASSY RH COMPOUND (NOTCHED) (BEFORE 03/01/2018) (SEE PAGE 15-1)	12
3	201294	DISC-RH, CMPND, SM, ASSY (BEFORE 03/01/2018) (SEE PAGE 15-1)	12
3	201298	DISC-RH, CMPND, ROLL ASSY (BEFORE 03/01/2018) (SEE PAGE 15-1)	12
3	195132	DISC-RH, VERT, NTCHD (BEFORE 03/01/2018) (SEE PAGE 15-4)	12
3	201296	DISC-RH, VERT, SM ASSY (BEFORE 03/01/2018) (SEE PAGE 15-4)	12
3	201300	DISC-RH, VERT, ROLL, ASSY (BEFORE 03/01/2018) (SEE PAGE 15-4)	12
3	209206	DISC-RH, CMPND, NTCHD, ASSY (SHOWN) (03/01/18 - 03/01/19) (SEE PAGE 15-1)	12
3	209208	DISC-RH, CMPND, SM, ASSY (03/01/18 - 03/01/19) (SEE PAGE 15-1)	12
3	209212	DISC-RH, CMPND, ROLL, ASSY (03/01/18 - 03/01/19) (SEE PAGE 15-1)	12
3	207509	DISC-RH, VERT, NTCHD, ASSY (03/01/18 - 03/01/19) (SEE PAGE 15-4)	12
3	212230	DISC-RH, VERT, SM, ASSY (03/01/18 - 03/01/19) (SEE PAGE 15-4)	12
3	212232	DISC-RH, VERT, ROLL, ASSY (03/01/18 - 03/01/19) (SEE PAGE 15-4)	12
3	207518	DISC-RH, HYBRID, NTCHD, ASSY (03/01/18 - 03/01/19) (SEE PAGE 15-7)	12
3	209214	DISC-RH, HYBRID, ROLL, ASSY (03/01/18 - 03/01/19) (SEE PAGE 15-7)	12
3	209210	DISC-RH, HYBRID, SM, ASSY (03/01/18 - 03/01/19) (SEE PAGE 15-7)	12
3	217292	DISC-RH, COMP17-20, NOTCHD ASSY (AFTER 03/01/2019) (SEE PAGE 15-2)	12
3	217294	DISC-RH, COMP17-20, SMOOTH ASSY (AFTER 03/01/2019) (SEE PAGE 15-2)	12
3	217296	DISC-RH, COMP17-20, ROLL ASSY (AFTER 03/01/2019) (SEE PAGE 15-2)	12
3	217306	DISC-RH, VERT, 17P, NOTCHD, ASM (AFTER 03/01/2019) (SEE PAGE 15-5)	12
3	217308	DISC-RH, VERT, 17P, SMOOTH, ASM (AFTER 03/01/2019) (SEE PAGE 15-5)	12
3	217310	DISC-RH, VERT, 17P, ROLL, ASM (AFTER 03/01/2019) (SEE PAGE 15-5)	12
3	217316	DISC, RH, HYBRID, 17-7, NOTCHD ASM (AFTER 03/01/2019) (SEE PAGE 15-8)	12
3	217318	DISC, RH, HYBRID, 17-7, SMOOTH ASM (AFTER 03/01/2019) (SEE PAGE 15-8)	12
3	217320	DISC, RH, HYBRID, 17-7, ROLL ASM (AFTER 03/01/2019) (SEE PAGE 15-8)	12
4	208633	DISC-RH, FEATHER, CMPND, SM 22, ASSY (BEFORE 03/01/2018)	1
4	208634	DISC-RH, FEATHER, CMPND, NTCHD 22, ASSY (BEFORE 03/01/2018)	1
4	200790	DISC-RH, FEATHER, VERT, NTCHD, ASSY (BEFORE 03/01/2018)	1
4	200791	DISC-RH, FEATHER, VERT, SM ASSY (BEFORE 03/01/2018)	1
4	212242	DISC-RH, FEATHER, CMPND, NTCHD 22, ASSY (SHOWN) (03/01/18 - 03/01/19)	1
4	212245	DISC-RH, FEATHER, CMPND, SM 22, ASSY (03/01/18 - 03/01/19)	1
4	212243	DISC-RH, FEATHER, VERT, NTCHD 22, ASSY (03/01/18 - 03/01/19)	1
4	212244	DISC-RH, FEATHER, VERT, NTCHD 22, ASSY (03/01/18 - 03/01/19)	1
4	212247	DISC-RH, FEATHER, VERT, SM 22, ASSY (03/01/18 - 03/01/19)	1
4	212246	DISC-RH, FEATHER, HYBRID, SM 22, ASSY (03/01/18 - 03/01/19)	1
4	217297	DISC ASSY NTCHD 22 RH CMP17-20 (AFTER 03/01/2018) (SEE PAGE 15-3)	1
4	217298	DISC ASSY SMOOTH 22RH CMP17-20 (AFTER 03/01/2018) (SEE PAGE 15-3)	1
4	217311	DISC ASSY NTCHD 22RH VERT 17P (AFTER 03/01/2018)	1
4	217312	DISC ASSY SMOOTH 22RH VERT 17P (AFTER 03/01/2018)	1
4	217321	DISC, NTCHD 22RH HYBRID 17-7 ASM (AFTER 03/01/2018) (SEE PAGE 15-9)	1
4	217322	DISC ASMSMOOTH 22RH HYBRID 17-7 (AFTER 03/01/2018) (SEE PAGE 15-9)	1

### 35' Gang Assemblies (Left Wing - Rear)

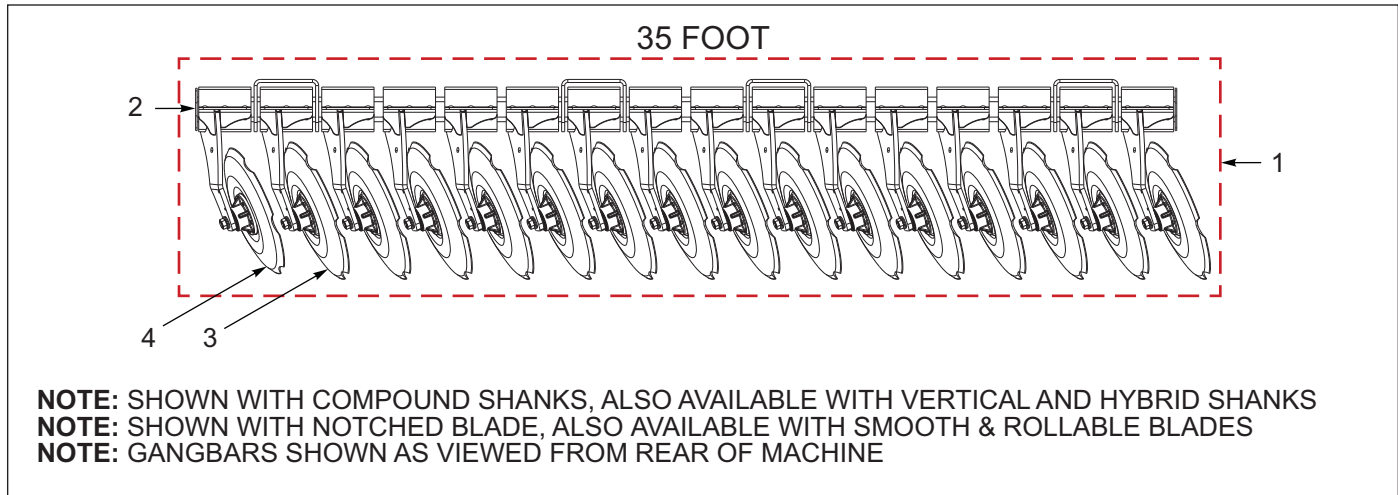


Figure 11-3: 35' Gang Assemblies (Left Wing - Rear)

### 35' Gang Assemblies (Left Wing - Rear)

ITEM	PART NUMBER	DESCRIPTION	QTY.
1	184423	GANG-35, LR, CMPND, NTCHD, ASSY (SHOWN) (ITEMS #3 (15) 195153, #4 (1) 208634 (BEFORE 03/01/2018)) (ITEMS #3 (15) 209206, #4 (1) 212242 (03/01/18 - 03/01/19)) (ITEMS #3 (15) 217292, #4 (1) 217297 (AFTER 03/01/2019))	1
1	192965	GANG-35, LR, VERT, NTCHD, ASSY (ITEMS #3 (15) 195132, #4 (1) 200790 (BEFORE 03/01/2018)) (ITEMS #3 (15) 207509, #4 (1) 212244 (03/01/18 - 03/01/19)) (ITEMS #3 (15) 217306, #4 (1) 217311 (AFTER 03/01/2019))	1
1	198847	GANG-35, LR, CMPND, SM, ASSY (ITEMS #3 (15) 201294, #4 (1) 208633 (BEFORE 03/01/2018)) (ITEMS #3 (15) 209208, #4 (1) 212245 (03/01/18 - 03/01/19)) (ITEMS #3 (15) 217294, #4 (1) 217298 (AFTER 03/01/2019))	1
1	198853	GANG-35, LR, VERT, SM, ASSY (ITEMS #3 (15) 201296, #4 (1) 200791 (BEFORE 03/01/2018)) (ITEMS #3 (15) 212230, #4 (1) 212247 (03/01/18 - 03/01/19)) (ITEMS #3 (15) 217308, #4 (1) 217312 (AFTER 03/01/2019))	1
1	198923	GANG-35, LR, CMPND, ROLL, ASSY (ITEMS #3 (15) 201298, #4 (1) 208633 (BEFORE 03/01/2018)) (ITEMS #3 (15) 209212, #4 (1) 212245 (03/01/18 - 03/01/19)) (ITEMS #3 (15) 217296, #4 (1) 217298 (AFTER 03/01/2019))	1
1	198927	GANG-35, LR, VERT, ROLL, ASSY (ITEMS #3 (15) 201300, #4 (1) 200791 (BEFORE 03/01/2018)) (ITEMS #3 (15) 212232, #4 (1) 212247 (03/01/18 - 03/01/19)) (ITEMS #3 (15) 217310, #4 (1) 217312 (AFTER 03/01/2019))	1
1	212597	GANG-LR, VERT, NTCHD, ASSY (ITEMS #3 (15) 207518, #4 (1) 212243 (03/01/18 - 03/01/19)) (ITEMS #3 (15) 217316, #4 (1) 217321 (AFTER 03/01/2019))	1
1	212598	GANG-LR, VERT, SM, ASSY (ITEMS #3 (15) 209210, #4 (1) 212246 (03/01/18 - 03/01/19)) (ITEMS #3 (15) 217318, #4 (1) 217322 (AFTER 03/01/2019))	1
1	212599	GANG-LR, VERT, ROLL, ASSY (ITEMS #3 (15) 209214, #4 (1) 212246 (03/01/18 - 03/01/19)) (ITEMS #3 (15) 217320, #4 (1) 217322 (AFTER 03/01/2019))	1



## 35' Gang Assemblies (Left Wing - Rear)

ITEM	PART NUMBER	DESCRIPTION	QTY.
2	192955	GANGBAR WLDMT, R, LH 35	1
3	195153	DISC ASSY RH COMPOUND (NOTCHED) (BEFORE 03/01/2018) (SEE PAGE 15-1)	15
3	201294	DISC-RH, CMPND, SM, ASSY (BEFORE 03/01/2018) (SEE PAGE 15-1)	15
3	201298	DISC-RH, CMPND, ROLL ASSY (BEFORE 03/01/2018) (SEE PAGE 15-1)	15
3	195132	DISC-RH, VERT, NTCHD (BEFORE 03/01/2018) (SEE PAGE 15-4)	15
3	201296	DISC-RH, VERT, SM ASSY (BEFORE 03/01/2018) (SEE PAGE 15-4)	15
3	201300	DISC-RH, VERT, ROLL, ASSY (BEFORE 03/01/2018) (SEE PAGE 15-4)	15
3	209206	DISC-RH, CMPND, NTCHD, ASSY (SHOWN) (03/01/18 - 03/01/19) (SEE PAGE 15-1)	15
3	209208	DISC-RH, CMPND, SM, ASSY (03/01/18 - 03/01/19) (SEE PAGE 15-1)	15
3	209212	DISC-RH, CMPND, ROLL, ASSY (03/01/18 - 03/01/19) (SEE PAGE 15-1)	15
3	207509	DISC-RH, VERT, NTCHD, ASSY (03/01/18 - 03/01/19) (SEE PAGE 15-4)	15
3	212230	DISC-RH, VERT, SM, ASSY (03/01/18 - 03/01/19) (SEE PAGE 15-4)	15
3	212232	DISC-RH, VERT, ROLL, ASSY (03/01/18 - 03/01/19) (SEE PAGE 15-4)	15
3	207518	DISC-RH, HYBRID, NTCHD, ASSY (03/01/18 - 03/01/19) (SEE PAGE 15-7)	15
3	209214	DISC-RH, HYBRID, ROLL, ASSY (03/01/18 - 03/01/19) (SEE PAGE 15-7)	15
3	209210	DISC-RH, HYBRID, SM, ASSY (03/01/18 - 03/01/19) (SEE PAGE 15-7)	15
3	217292	DISC-RH, COMP17-20, NOTCHD ASSY (AFTER 03/01/2019) (SEE PAGE 15-2)	15
3	217294	DISC-RH, COMP17-20, SMOOTH ASSY (AFTER 03/01/2019) (SEE PAGE 15-2)	15
3	217296	DISC-RH, COMP17-20, ROLL ASSY (AFTER 03/01/2019) (SEE PAGE 15-2)	15
3	217306	DISC-RH, VERT, 17P, NOTCHD, ASM (AFTER 03/01/2019) (SEE PAGE 15-5)	15
3	217308	DISC-RH, VERT, 17P, SMOOTH, ASM (AFTER 03/01/2019) (SEE PAGE 15-5)	15
3	217310	DISC-RH, VERT, 17P, ROLL, ASM (AFTER 03/01/2019) (SEE PAGE 15-5)	15
3	217316	DISC, RH, HYBRID, 17-7, NOTCHD ASM (AFTER 03/01/2019) (SEE PAGE 15-8)	15
3	217318	DISC, RH, HYBRID, 17-7, SMOOTH ASM (AFTER 03/01/2019) (SEE PAGE 15-8)	15
3	217320	DISC, RH, HYBRID, 17-7, ROLL ASM (AFTER 03/01/2019) (SEE PAGE 15-8)	15
4	208633	DISC-RH, FEATHER, CMPND, SM 22, ASSY (BEFORE 03/01/2018)	1
4	208634	DISC-RH, FEATHER, CMPND, NTCHD 22, ASSY (BEFORE 03/01/2018)	1
4	200790	DISC-RH, FEATHER, VERT, NTCHD, ASSY (BEFORE 03/01/2018)	1
4	200791	DISC-RH, FEATHER, VERT, SM ASSY (BEFORE 03/01/2018)	1
4	212242	DISC-RH, FEATHER, CMPND, NTCHD 22, ASSY (SHOWN) (03/01/18 - 03/01/19)	1
4	212245	DISC-RH, FEATHER, CMPND, SM 22, ASSY (03/01/18 - 03/01/19)	1
4	212243	DISC-RH, FEATHER, VERT, NTCHD 22, ASSY (03/01/18 - 03/01/19)	1
4	212244	DISC-RH, FEATHER, VERT, NTCHD 22, ASSY (03/01/18 - 03/01/19)	1
4	212247	DISC-RH, FEATHER, VERT, SM 22, ASSY (03/01/18 - 03/01/19)	1
4	212246	DISC-RH, FEATHER, HYBRID, SM 22, ASSY (03/01/18 - 03/01/19)	1
4	217297	DISC ASSY NTCHD 22 RH CMP17-20 (AFTER 03/01/2018) (SEE PAGE 15-3)	1
4	217298	DISC ASSY SMOOTH 22RH CMP17-20 (AFTER 03/01/2018) (SEE PAGE 15-3)	1
4	217311	DISC ASSY NTCHD 22RH VERT 17P (AFTER 03/01/2018)	1
4	217312	DISC ASSY SMOOTH 22RH VERT 17P (AFTER 03/01/2018)	1
4	217321	DISC, NTCHD 22RH HYBRID 17-7 ASM (AFTER 03/01/2018) (SEE PAGE 15-9)	1
4	217322	DISC ASMSMOOTH 22RH HYBRID 17-7 (AFTER 03/01/2018) (SEE PAGE 15-9)	1

### 40' Gang Assemblies (Left Wing - Rear)

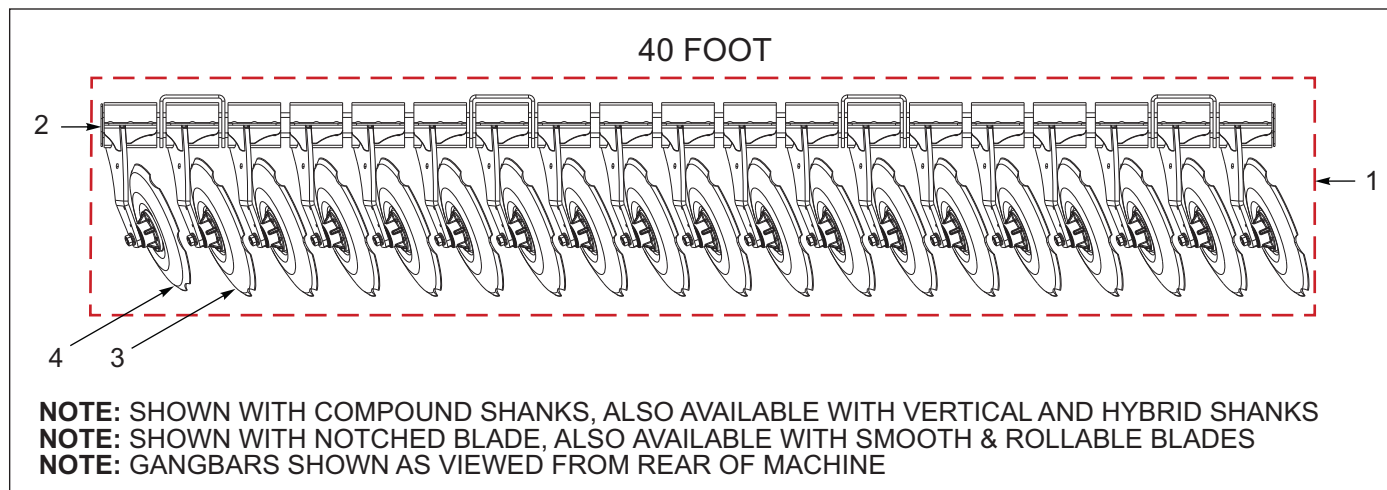


Figure 11-4: 40' Gang Assemblies (Left Wing - Rear)

### 40' Gang Assemblies (Left Wing - Rear)

ITEM	PART NUMBER	DESCRIPTION	QTY.
1	184421	GANG-40, LR, CMPND, NTCHD, ASSY (SHOWN) (ITEMS #3 (18) 195153, #4 (1) 208634 (BEFORE 03/01/2018)) (ITEMS #3 (18) 209206, #4 (1) 212242 (03/01/18 - 03/01/19)) (ITEMS #3 (18) 217292, #4 (1) 217297 (AFTER 03/01/19))	1
1	198855	GANG-40, LR, CMPND, SM, ASSY (ITEMS #3 (18) 201294, #4 (1) 208633 (BEFORE 03/01/2018)) (ITEMS #3 (18) 209208, #4 (1) 212245 (03/01/18 - 03/01/19)) (ITEMS #3 (18) 217294, #4 (1) 217298 (AFTER 03/01/19))	1
1	198929	GANG-40, LR, CMPND, ROLL, ASSY (ITEMS #3 (18) 201298, #4 (1) 208633 (BEFORE 03/01/2018)) (ITEMS #3 (18) 209212, #4 (1) 212245 (03/01/18 - 03/01/19)) (ITEMS #3 (18) 217296, #4 (1) 217298 (AFTER 03/01/19))	1
1	192620	GANG-7832-40,LR,VERT,NOTCHED (ITEMS #3 (18) 195132, #4 (1) 200790 (BEFORE 03/01/2018)) (ITEMS #3 (18) 207509, #4 (1) 212244 (03/01/18 - 03/01/19)) (ITEMS #3 (18) 217306, #4 (1) 217311 (AFTER 03/01/19))	1
1	198857	GANG ASM7832-40LR VERT NO NTCH (SMOOTH) (ITEMS #3 (18) 201296, #4 (1) 200791 (BEFORE 03/01/2018)) (ITEMS #3 (18) 212230, #4 (1) 212247 (03/01/18 - 03/01/19)) (ITEMS #3 (18) 217308, #4 (1) 217312 (AFTER 03/01/19))	1
1	198931	GANG ASM 7832-40 LR VERT ROLL (ITEMS #3 (18) 201300, #4 (1) 200791 (BEFORE 03/01/2018)) (ITEMS #3 (18) 212232, #4 (1) 212247 (03/01/18 - 03/01/19)) (ITEMS #3 (18) 217310, #4 (1) 217312 (AFTER 03/01/19))	1
1	212615	GANG-7833-40 LR,HYBR17-7, NTCHD (ITEMS #3 (18) 207518, #4 (1) 212243 (03/01/18 - 03/01/19)) (ITEMS #3 (18) 217316, #4 (1) 217321 (AFTER 03/01/19))	1
1	212616	GANG-7833-40 LR,HYBRID,17-7,SM (ITEMS #3 (18) 209210, #4 (1) 212246 (03/01/18 - 03/01/19)) (ITEMS #3 (18) 217318, #4 (1) 217322 (AFTER 03/01/19))	1
1	212617	GANG-7833-40.LR,HYBR,17-7,ROLL (ITEMS #3 (18) 209214, #4 (1) 212246 (03/01/18 - 03/01/19)) (ITEMS #3 (18) 217320, #4 (1) 217322 (AFTER 03/01/19))	1

## 40' Gang Assemblies (Left Wing - Rear)

ITEM	PART NUMBER	DESCRIPTION	QTY.
2	192958	GANGBAR WLDMT, R, LH 40	1
3	195153	DISC ASSY RH COMPOUND (NOTCHED) (BEFORE 03/01/2018) (SEE PAGE 15-1)	12
3	201294	DISC-RH, CMPND, SM, ASSY (BEFORE 03/01/2018) (SEE PAGE 15-1)	18
3	201298	DISC-RH, CMPND, ROLL ASSY (BEFORE 03/01/2018) (SEE PAGE 15-1)	18
3	195132	DISC-RH, VERT, NTCHD (BEFORE 03/01/2018) (SEE PAGE 15-4)	18
3	201296	DISC-RH, VERT, SM ASSY (BEFORE 03/01/2018) (SEE PAGE 15-4)	18
3	201300	DISC-RH, VERT, ROLL, ASSY (BEFORE 03/01/2018) (SEE PAGE 15-4)	18
3	209206	DISC-RH, CMPND, NTCHD, ASSY (SHOWN) (03/01/18 - 03/01/19) (SEE PAGE 15-1)	18
3	209208	DISC-RH, CMPND, SM, ASSY (03/01/18 - 03/01/19) (SEE PAGE 15-1)	18
3	209212	DISC-RH, CMPND, ROLL, ASSY (03/01/18 - 03/01/19) (SEE PAGE 15-1)	18
3	207509	DISC-RH, VERT, NTCHD, ASSY (03/01/18 - 03/01/19) (SEE PAGE 15-4)	18
3	212230	DISC-RH, VERT, SM, ASSY (03/01/18 - 03/01/19) (SEE PAGE 15-4)	18
3	212232	DISC-RH, VERT, ROLL, ASSY (03/01/18 - 03/01/19) (SEE PAGE 15-4)	18
3	207518	DISC-RH, HYBRID, NTCHD, ASSY (03/01/18 - 03/01/19) (SEE PAGE 15-7)	18
3	209214	DISC-RH, HYBRID, ROLL, ASSY (03/01/18 - 03/01/19) (SEE PAGE 15-7)	18
3	209210	DISC-RH, HYBRID, SM, ASSY (03/01/18 - 03/01/19) (SEE PAGE 15-7)	18
3	217292	DISC-RH, COMP17-20, NOTCHD ASSY (AFTER 03/01/2019) (SEE PAGE 15-2)	18
3	217294	DISC-RH, COMP17-20, SMOOTH ASSY (AFTER 03/01/2019) (SEE PAGE 15-2)	18
3	217296	DISC-RH, COMP17-20, ROLL ASSY (AFTER 03/01/2019) (SEE PAGE 15-2)	18
3	217306	DISC-RH, VERT, 17P, NOTCHD, ASM (AFTER 03/01/2019) (SEE PAGE 15-5)	18
3	217308	DISC-RH, VERT, 17P, SMOOTH, ASM (AFTER 03/01/2019) (SEE PAGE 15-5)	18
3	217310	DISC-RH, VERT, 17P, ROLL, ASM (AFTER 03/01/2019) (SEE PAGE 15-5)	18
3	217316	DISC, RH, HYBRID, 17-7, NOTCHD ASM (AFTER 03/01/2019) (SEE PAGE 15-8)	18
3	217318	DISC, RH, HYBRID, 17-7, SMOOTH ASM (AFTER 03/01/2019) (SEE PAGE 15-8)	18
3	217320	DISC, RH, HYBRID, 17-7, ROLL ASM (AFTER 03/01/2019) (SEE PAGE 15-8)	18
4	208633	DISC-RH, FEATHER, CMPND, SM 22, ASSY (BEFORE 03/01/2018)	1
4	208634	DISC-RH, FEATHER, CMPND, NTCHD 22, ASSY (BEFORE 03/01/2018)	1
4	200790	DISC-RH, FEATHER, VERT, NTCHD, ASSY (BEFORE 03/01/2018)	1
4	200791	DISC-RH, FEATHER, VERT, SM ASSY (BEFORE 03/01/2018)	1
4	212242	DISC-RH, FEATHER, CMPND, NTCHD 22, ASSY (SHOWN) (03/01/18 - 03/01/19)	1
4	212245	DISC-RH, FEATHER, CMPND, SM 22, ASSY (03/01/18 - 03/01/19)	1
4	212243	DISC-RH, FEATHER, VERT, NTCHD 22, ASSY (03/01/18 - 03/01/19)	1
4	212244	DISC-RH, FEATHER, VERT, NTCHD 22, ASSY (03/01/18 - 03/01/19)	1
4	212247	DISC-RH, FEATHER, VERT, SM 22, ASSY (03/01/18 - 03/01/19)	1
4	212246	DISC-RH, FEATHER, HYBRID, SM 22, ASSY (03/01/18 - 03/01/19)	1
4	217297	DISC ASSY NTCHD 22 RH CMP17-20 (AFTER 03/01/2018) (SEE PAGE 15-3)	1
4	217298	DISC ASSY SMOOTH 22RH CMP17-20 (AFTER 03/01/2018) (SEE PAGE 15-3)	1
4	217311	DISC ASSY NTCHD 22RH VERT 17P (AFTER 03/01/2018)	1
4	217312	DISC ASSY SMOOTH 22RH VERT 17P (AFTER 03/01/2018)	1
4	217321	DISC, NTCHD 22RH HYBRID 17-7 ASM (AFTER 03/01/2018) (SEE PAGE 15-9)	1
4	217322	DISC ASMSMOOTH 22RH HYBRID 17-7 (AFTER 03/01/2018) (SEE PAGE 15-9)	1

## Right Wing (Front) Disc Assemblies

### Right Wing (Front) Disc Assemblies

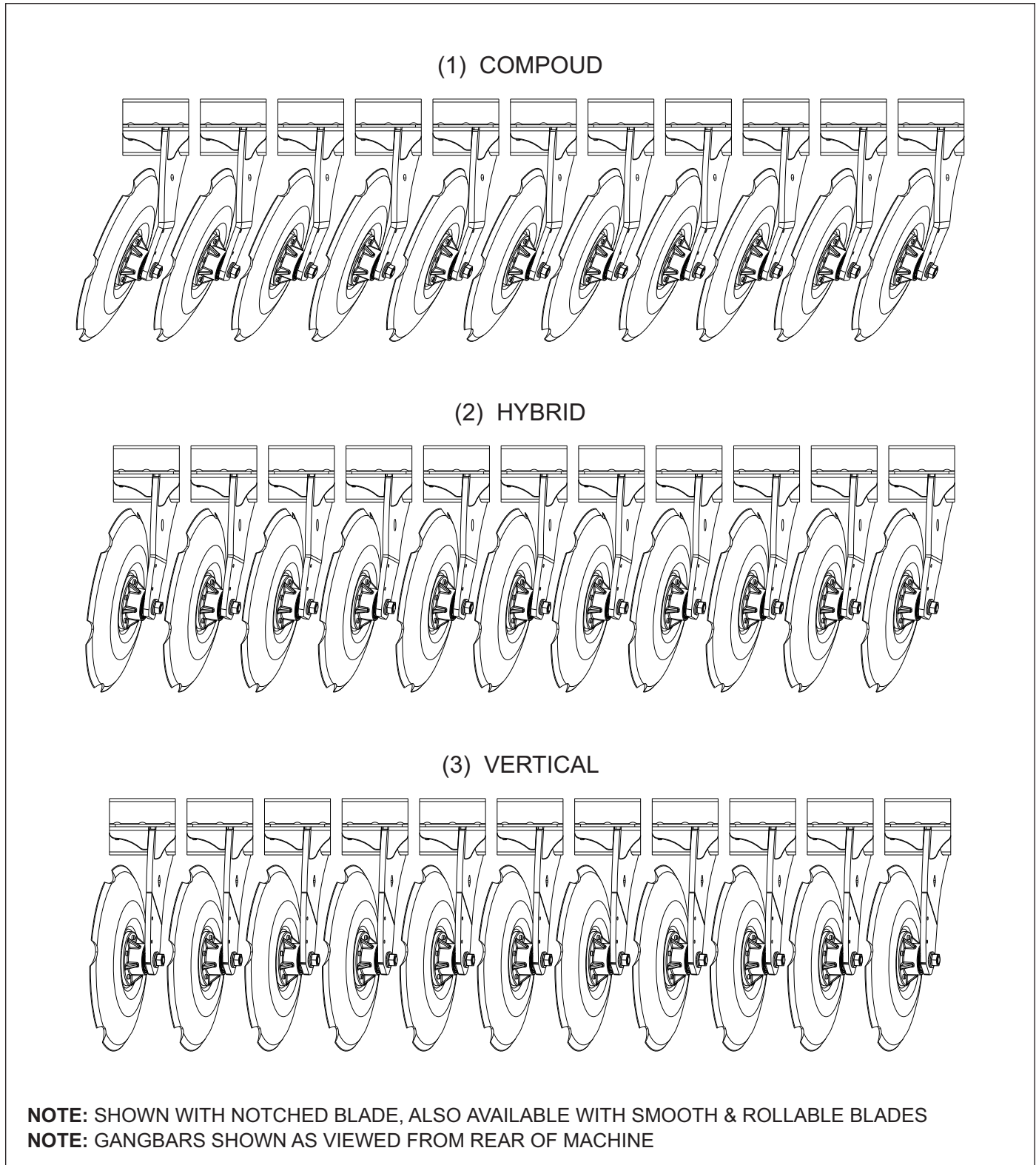


Figure 12-1: Right Wing (Front) Disc Assemblies

## Right Wing (Front) Disc Assemblies

ITEM	PART NUMBER	DESCRIPTION	QTY.			
			25'	30'	35'	40'
	201212	WING ASSEMBLY, 7833-25 RH	*	--	--	--
	201214	WING ASSEMBLY, 7833-30 RH	--	*	--	--
	201216	WING ASSEMBLY, 7833-35 RH	--	--	*	--
	201218	WING ASSEMBLY, 7833-40 RH	--	--	--	*
1	195152	DISC-LH, COMP, NTCHD, ASSY <b>(SHOWN)</b> <b>(BEFORE 03/01/2018) (SEE PAGE 14-1)</b>	11	14	17	20
1	201293	DISC-LH, COMP, SM, ASSY <b>(BEFORE 03/01/2018)</b>	11	14	17	20
1	201297	DISC-LH, COMP, ROLL, ASSY <b>(BEFORE 03/01/2018)</b>	11	14	17	20
1	209205	DISC-LH, COMP, NTCHD, ASSY <b>(03/01/18 - 03/01/19) (SEE PAGE 14-1)</b>	11	14	17	20
1	209207	DISC-LH, COMP, SM, ASSY <b>(03/01/18 - 03/01/19)</b>	11	14	17	20
1	209211	DISC-LH, COMP, ROLL, ASSY <b>(03/01/18 - 03/01/19)</b>	11	14	17	20
1	217291	DISC-LH,COMP17-20,NOTCHD ASSY <b>(AFTER 03/01/2018) (SEE PAGE 14-2)</b>	11	14	17	20
1	217293	DISC-LH,COMP17-20,SMOOTH ASSY <b>(AFTER 03/01/2018)</b>	11	14	17	20
1	217295	DISC-LH,COMP17-20, ROLL ASSY <b>(AFTER 03/01/2018)</b>	11	14	17	20
2	207517	DISC-LH, HYBRD, NTCHD, ASSY <b>(SHOWN)</b> <b>(BEFORE 03/01/2019) (SEE PAGE 14-5)</b>	11	14	17	20
2	209209	DISC-LH, HYBRD, SM, ASSY <b>(BEFORE 03/01/2019)</b>	11	14	17	20
2	209213	DISC-LH, HYBRD, ROLL, ASSY <b>(BEFORE - 03/01/2019)</b>	11	14	17	20
2	217315	DISC-LH,HYBRID,17-7,NOTCHD ASM <b>(AFTER 03/01/2018) (SEE PAGE 14-6)</b>	11	14	17	20
2	217317	DISC,LH,HYBRID,17-7,SMOOTH ASM <b>(AFTER 03/01/2018)</b>	11	14	17	20
2	217319	DISC,LH,HYBRID,17-7,ROLL ASM <b>(AFTER 03/01/2018)</b>	11	14	17	20
3	195131	DISC-LH, VERT, NTCHD, ASSY <b>(BEFORE 03/01/2018) (SEE PAGE 14-3)</b>	11	14	17	20
3	201295	DISC-LH, VERT, SM, ASSY <b>(BEFORE 03/01/2018)</b>	11	14	17	20
3	201299	DISC-LH, VERT, ROLL, ASSY <b>(BEFORE 03/01/2018)</b>	11	14	17	20
3	207508	DISC-LH, VERT, NTCHD, ASSY <b>(SHOWN)</b> <b>(03/01/18 - 03/01/19) (SEE PAGE 14-3)</b>	11	14	17	20
3	212229	DISC-LH, VERT, SM, ASSY <b>(03/01/18 - 03/01/19)</b>	11	14	17	20
3	212231	DISC-LH, VERT, ROLL, ASSY <b>(03/01/18 - 03/01/19)</b>	11	14	17	20
3	217305	DISC-LH, VERT,17P, NOTCHD, ASM <b>(AFTER 03/01/2018) (SEE PAGE 14-4)</b>	11	14	17	20
3	217307	DISC-LH, VERT,17P, SMOOTH, ASM <b>(AFTER 03/01/2018)</b>	11	14	17	20
3	217309	DISC-LH, VERT,17P, ROLL, ASM <b>(AFTER 03/01/2018)</b>	11	14	17	20



# Right Wing (Rear) Gang Assemblies

## 25' Gang Assemblies (Right Wing - Rear)

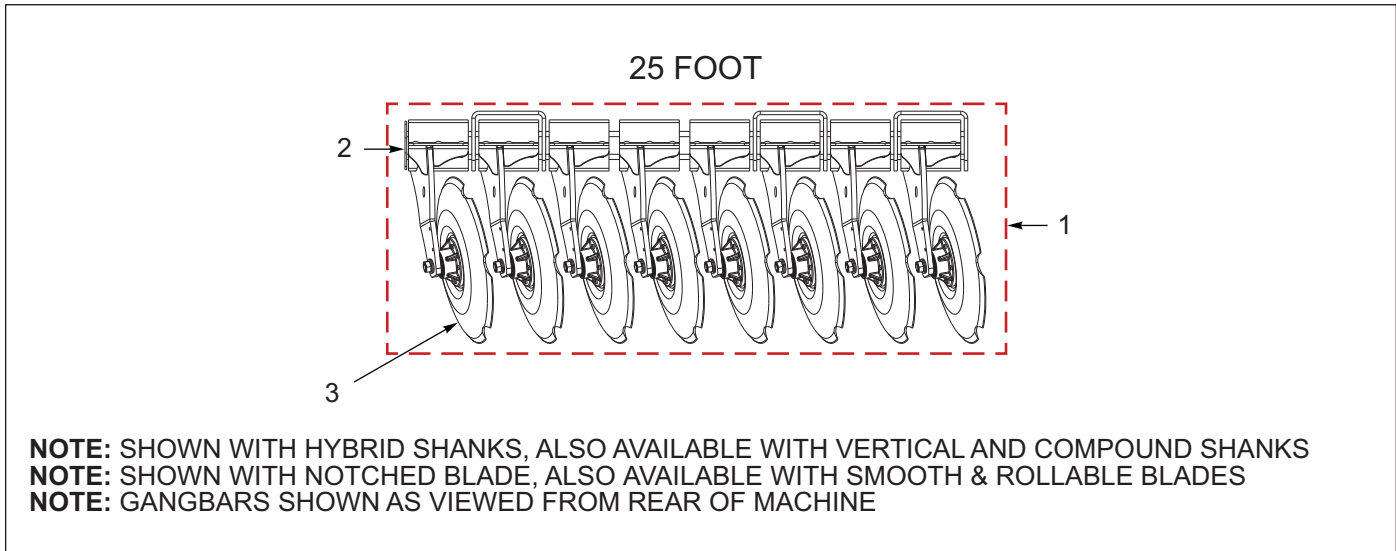


Figure 13-1: 25' Gang Assemblies (Right Wing - Rear)

## 25' Gang Assemblies (Right Wing - Rear)

ITEM	PART NUMBER	DESCRIPTION	QTY.
1	188768	GANG-25, RR, CMPND, NTCHD, ASSY (SHOWN) (ITEMS #1 (1) 192962, #3 (8) 195153 (BEFORE 03/01/2018)) (ITEMS #1 (1) 192962, #3 (8) 209206 (AFTER 03/01/2018))	1
1	192624	GANG-25, RR, VERT, NTCHD, ASSY (ITEMS #1 (1) 192962, #3 (8) 195132 (BEFORE 03/01/2018)) (ITEMS #1 (1) 192962, #3 (8) 207509 (AFTER 03/01/2018))	1
1	198843	GANG-25, RR, CMPND, SM, ASSY (ITEMS #1 (1) 192962, #3 (8) 201294 (BEFORE 03/01/2018)) (ITEMS #1 (1) 192962, #3 (8) 209208 (AFTER 03/01/2018))	1
1	198846	GANG-25, RR, VERT, SM, ASSY (ITEMS #1 (1) 192962, #3 (8) 201296 (BEFORE 03/01/2018)) (ITEMS #1 (1) 192962, #3 (8) 212230 (AFTER 03/01/2018))	1
1	198914	GANG-25, RR, CMPND, ROLL, ASSY (ITEMS #1 (1) 192962, #3 (8) 201298 (BEFORE 03/01/2018)) (ITEMS #1 (1) 192962, #3 (8) 109212 (AFTER 03/01/2018))	1
1	198918	GANG-25, RR, VERT, ROLL, ASSY (ITEMS #1 (1) 192962, #3 (8) 201300 (BEFORE 03/01/2018)) (ITEMS #1 (1) 192962, #3 (8) 212232 (AFTER 03/01/2018))	1
1	212567	GANG-25, RR, CMPND, NTCHD, ASSY (ITEMS #1 (1) 210843, #3 (8) 209206 (03/01/18 - 03/01/19)) (ITEMS #1 (1) 210843, #3 (8) 217292 (AFTER 03/01/2019))	1
1	212568	GANG-25, RR, CMPND, SM, ASSY (ITEMS #1 (1) 210843, #3 (8) 209208 (03/01/18 - 03/01/19)) (ITEMS #1 (1) 210843, #3 (8) 217294 (AFTER 03/01/2019))	1
1	212569	GANG-25, RR, CMPND, ROLL, ASSY (ITEMS #1 (1) 210843, #3 (8) 209212 (03/01/18 - 03/01/19)) (ITEMS #1 (1) 210843, #3 (8) 217296 (AFTER 03/01/2019))	1

## 25' Gang Assemblies (Right Wing - Rear)

ITEM	PART NUMBER	DESCRIPTION	QTY.
1	212570	GANG-25, RR, HYBRID, NTCHD, ASSY (ITEMS #1 (1) 210843, #3 (8) 207518 (03/01/18 - 03/01/19)) (ITEMS #1 (1) 210843, #3 (8) 217316 (AFTER 03/01/2019))	1
1	212571	GANG-25, RR, HYBRID, SM, ASSY (ITEMS #1 (1) 210843, #3 (8) 209210 (03/01/18 - 03/01/19)) (ITEMS #1 (1) 210843, #3 (8) 217318 (BEFORE 03/01/2019))	1
1	212572	GANG-25, RR, HYBRID, ROLL, ASSY (ITEMS #1 (1) 210843, #3 (8) 209214 (03/01/18 - 03/01/19)) (ITEMS #1 (1) 210843, #3 (8) 217320 (AFTER 03/01/2019))	1
1	212573	GANG-25, RR, VERT, NTCHD, ASSY (ITEMS #1 (1) 210843, #3 (8) 207509 (03/01/18 - 03/01/19)) (ITEMS #1 (1) 210843, #3 (8) 217306 (AFTER 03/01/2019))	1
1	212574	GANG-25, RR, VERT, SM, ASSY (ITEMS #1 (1) 210843, #3 (8) 212230 (03/01/18 - 03/01/19)) (ITEMS #1 (1) 210843, #3 (8) 217308 (AFTER 03/01/2019))	1
1	212575	GANG-25, RR, VERT, ROLL, ASSY (ITEMS #1 (1) 210843, #3 (8) 212232 (03/01/18 - 03/01/19)) (ITEMS #1 (1) 210843, #3 (8) 217310 (AFTER 03/01/2019))	1
2	192962	GANGBAR WLDMT REAR, RH 25	1
2	210843	GANGBAR WLDMT REAR, RH 25	1
3	195153	DISC-RH, COMP, NTCHD, ASSY (BEFORE 03/01/2018) (SEE PAGE 15-1)	8
3	201294	DISC-RH, COMP, SM, ASSY (BEFORE 03/01/2018) (SEE PAGE 15-1)	8
3	201298	DISC-RH, COMP, ROLL, ASSY (BEFORE 03/01/2018) (SEE PAGE 15-1)	8
3	195132	DISC-RH, VERT, NTCHD, ASSY (BEFORE 03/01/2018) (SEE PAGE 15-4)	8
3	201296	DISC-RH, VERT, SM, ASSY (BEFORE 03/01/2018) (SEE PAGE 15-4)	8
3	201300	DISC-RH, VERT, ROLL, ASSY (BEFORE 03/01/2018) (SEE PAGE 15-4)	8
3	209206	DISC-RH, COMP, NTCHD, ASSY (03/01/18 - 03/01/19) (SEE PAGE 15-1)	8
3	209208	DISC-RH, COMP, SM, ASSY (03/01/18 - 03/01/19) (SEE PAGE 15-1)	8
3	209212	DISC-RH, COMP, ROLL, ASSY (03/01/18 - 03/01/19) (SEE PAGE 15-1)	8
3	207509	DISC-RH, VERT, NTCHD, ASSY (03/01/18 - 03/01/19) (SEE PAGE 15-4)	8
3	212230	DISC-RH, VERT, SM, ASSY (03/01/18 - 03/01/19) (SEE PAGE 15-4)	8
3	212232	DISC-RH, VERT, ROLL, ASSY (03/01/18 - 03/01/19) (SEE PAGE 15-4)	8
3	207518	DISC-RH, HYBRD, NTCHD, ASSY (03/01/18 - 03/01/19) (SEE PAGE 15-7)	8
3	209210	DISC-RH, HYBRD, SM, ASSY (03/01/18 - 03/01/19) (SEE PAGE 15-7)	8
3	209214	DISC-RH, HYBRD, ROLL, ASSY (03/01/18 - 03/01/19) (SEE PAGE 15-7)	8
3	217292	DISC-RH,COMP17-20, NTCHD ASSY (AFTER 03/01/2019) (SEE PAGE 15-2)	8
3	217294	DISC-RH,COMP17-20,SMOOTH ASSY (AFTER 03/01/2019) (SEE PAGE 15-2)	8
3	217296	DISC-RH,COMP17-20, ROLL ASSY (AFTER 03/01/2019) (SEE PAGE 15-2)	8
3	217306	DISC-RH, VERT,17P, NOTCHD, ASM (AFTER 03/01/2019) (SEE PAGE 15-5)	8
3	217308	DISC-RH, VERT,17P, SMOOTH, ASM (AFTER 03/01/2019) (SEE PAGE 15-5)	8
3	217310	DISC-RH, VERT,17P, ROLL, ASM (AFTER 03/01/2019) (SEE PAGE 15-5)	8
3	217316	DISC,RH,HYBRID,17-7,NOTCHD ASM (AFTER 03/01/2019) (SEE PAGE 15-8)	8
3	217318	DISC,RH,HYBRID,17-7,SMOOTH ASM (AFTER 03/01/2019) (SEE PAGE 15-8)	8
3	217320	DISC,RH,HYBRID,17-7,ROLL ASM (AFTER 03/01/2019) (SEE PAGE 15-8)	8

### 30' Gang Assemblies (Right Wing - Rear)

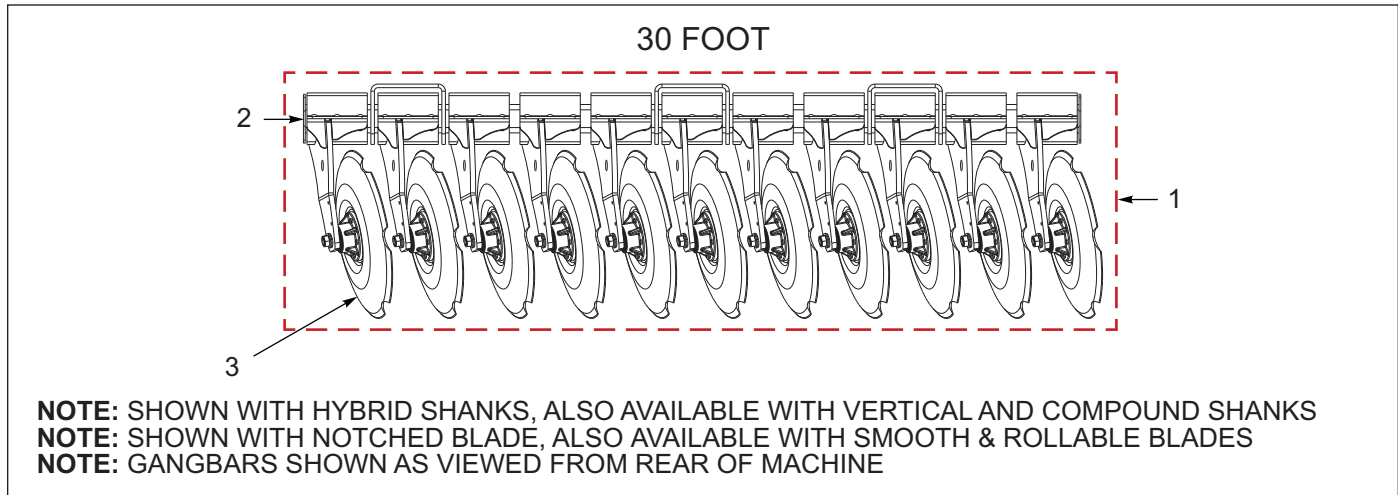


Figure 13-2: 30' Gang Assemblies (Right Wing - Rear)

### 30' Gang Assemblies (Right Wing - Rear)

ITEM	PART NUMBER	DESCRIPTION	QTY.
1	187626	GANG-30, RR, CMPND, NTCHD, ASSY (SHOWN) (ITEMS #1 (1) 192968, #3 (11) 195153 (BEFORE 03/01/2018)) (ITEMS #1 (1) 192968, #3 (11) 209206 (AFTER 03/01/2018))	1
1	192625	GANG-30, RR, VERT, NTCHD, ASSY (ITEMS #1 (1) 192968, #3 (11) 195132 (BEFORE 03/01/2018)) (ITEMS #1 (1) 192968, #3 (11) 207509 (AFTER 03/01/2018))	1
1	198849	GANG-30, RR, VERT, SM, ASSY (ITEMS #1 (1) 192968, #3 (11) 201296 (BEFORE 03/01/2018)) (ITEMS #1 (1) 192968, #3 (11) 212230 (AFTER 03/01/2018))	1
1	198852	GANG-30, RR, CMPND, SM, ASSY (ITEMS #1 (1) 192968, #3 (11) 201294 (BEFORE 03/01/2018)) (ITEMS #1 (1) 192968, #3 (11) 209208 (AFTER 03/01/2018))	1
1	198920	GANG-30, RR, CMPND, ROLL, ASSY (ITEMS #1 (1) 192968, #3 (11) 201298 (BEFORE 03/01/2018)) (ITEMS #1 (1) 192968, #3 (11) 209212 (AFTER 03/01/2018))	1
1	198921	GANG-30, RR, VERT, ROLL, ASSY (ITEMS #1 (1) 192968, #3 (11) 201300 (BEFORE 03/01/2018)) (ITEMS #1 (1) 192968, #3 (11) 212232 (AFTER 03/01/2018))	1
1	212585	GANG-30, CMPND, NTCHD, ASSY (ITEMS #1 (1) 210844, #3 (11) 209206 (03/01/18 - 03/01/19)) (ITEMS #1 (1) 210844, #3 (11) 217292 (AFTER 03/01/19))	1
1	212586	GANG-30, RR, CMPND, SM, ASSY (ITEMS #1 (1) 210844, #3 (11) 209208 (03/01/18 - 03/01/19)) (ITEMS #1 (1) 210844, #3 (11) 217294 (AFTER 03/01/19))	1
1	212587	GANG-30, RR, CMPND, ROLL, ASSY (ITEMS #1 (1) 210843, #3 (11) 209212 (03/01/18 - 03/01/19)) (ITEMS #1 (1) 210844, #3 (11) 217294 (AFTER 03/01/19))	1
1	212588	GANG-30, RR, HYBRID, NTCHD, ASSY (ITEMS #1 (1) 210844, #3 (11) 207518 (03/01/18 - 03/01/19)) (ITEMS #1 (1) 210844, #3 (11) 217316 (AFTER 03/01/19))	1
1	212589	GANG-30, RR, HYBRID, SM, ASSY (ITEMS #1 (1) 210844, #3 (11) 209210 (03/01/18 - 03/01/19)) (ITEMS #1 (1) 210844, #3 (11) 217318 (AFTER 03/01/19))	1



### 30' Gang Assemblies (Right Wing - Rear)

ITEM	PART NUMBER	DESCRIPTION	QTY.
1	212590	GANG-30, RR, HYBRID, ROLL, ASSY (ITEMS #1 (1) 210844, #3 (11) 209214 (03/01/18 - 03/01/19)) (ITEMS #1 (1) 210844, #3 (11) 217320 (AFTER 03/01/19))	1
1	212591	GANG-30, RR, VERT, NTCHD, ASSY (ITEMS #1 (1) 210844, #3 (11) 207509 (03/01/18 - 03/01/19)) (ITEMS #1 (1) 210844, #3 (11) 217306 (AFTER 03/01/19))	1
1	212592	GANG-30, RR, VERT, SM, ASSY (ITEMS #1 (1) 210844, #3 (11) 212230 (03/01/18 - 03/01/19)) (ITEMS #1 (1) 210844, #3 (11) 217308 (AFTER 03/01/19))	1
1	212593	GANG-30, RR, VERT, ROLL, ASSY (ITEMS #1 (1) 210843, #3 (11) 212232 (03/01/18 - 03/01/19)) (ITEMS #1 (1) 210844, #3 (11) 217310 (AFTER 03/01/19))	1
2	192968	GANGBAR WLDMT REAR, RH 30	1
2	210844	GANGBAR WLDMT, REAR, RH 30	1
3	195153	DISC-RH, COMP, NTCHD, ASSY (BEFORE 03/01/2018) (SEE PAGE 15-1)	11
3	201294	DISC-RH, COMP, SM, ASSY (BEFORE 03/01/2018) (SEE PAGE 15-1)	11
3	201298	DISC-RH, COMP, ROLL, ASSY (BEFORE 03/01/2018) (SEE PAGE 15-1)	11
3	195132	DISC-RH, VERT, NTCHD, ASSY (BEFORE 03/01/2018) (SEE PAGE 15-4)	11
3	201296	DISC-RH, VERT, SM, ASSY (BEFORE 03/01/2018) (SEE PAGE 15-4)	11
3	201300	DISC-RH, VERT, ROLL, ASSY (BEFORE 03/01/2018) (SEE PAGE 15-4)	11
3	209206	DISC-RH, COMP, NTCHD, ASSY (03/01/18 - 03/01/19) (SEE PAGE 15-1)	11
3	209208	DISC-RH, COMP, SM, ASSY (03/01/18 - 03/01/19) (SEE PAGE 15-1)	11
3	209212	DISC-RH, COMP, ROLL, ASSY (03/01/18 - 03/01/19) (SEE PAGE 15-1)	11
3	207509	DISC-RH, VERT, NTCHD, ASSY (03/01/18 - 03/01/19) (SEE PAGE 15-4)	11
3	212230	DISC-RH, VERT, SM, ASSY (03/01/18 - 03/01/19) (SEE PAGE 15-4)	11
3	212232	DISC-RH, VERT, ROLL, ASSY (03/01/18 - 03/01/19) (SEE PAGE 15-4)	11
3	207518	DISC-RH, HYBRD, NTCHD, ASSY (03/01/18 - 03/01/19) (SEE PAGE 15-7)	11
3	209210	DISC-RH, HYBRD, SM, ASSY (03/01/18 - 03/01/19) (SEE PAGE 15-7)	11
3	209214	DISC-RH, HYBRD, ROLL, ASSY (03/01/18 - 03/01/19) (SEE PAGE 15-7)	11
3	217292	DISC-RH,COMP17-20, NTCHD ASSY (AFTER 03/01/2019) (SEE PAGE 15-2)	11
3	217294	DISC-RH,COMP17-20,SMOOTH ASSY (AFTER 03/01/2019) (SEE PAGE 15-2)	11
3	217296	DISC-RH,COMP17-20, ROLL ASSY (AFTER 03/01/2019) (SEE PAGE 15-2)	11
3	217306	DISC-RH, VERT,17P, NOTCHD, ASM (AFTER 03/01/2019) (SEE PAGE 15-5)	11
3	217308	DISC-RH, VERT,17P, SMOOTH, ASM (AFTER 03/01/2019) (SEE PAGE 15-5)	11
3	217310	DISC-RH, VERT,17P, ROLL, ASM (AFTER 03/01/2019) (SEE PAGE 15-5)	11
3	217316	DISC,RH,HYBRID,17-7,NOTCHD ASM (AFTER 03/01/2019) (SEE PAGE 15-8)	11
3	217318	DISC,RH,HYBRID,17-7,SMOOTH ASM (AFTER 03/01/2019) (SEE PAGE 15-8)	11
3	217320	DISC,RH,HYBRID,17-7,ROLL ASM (AFTER 03/01/2019) (SEE PAGE 15-8)	11

### 35' Gang Assemblies (Right Wing - Rear)

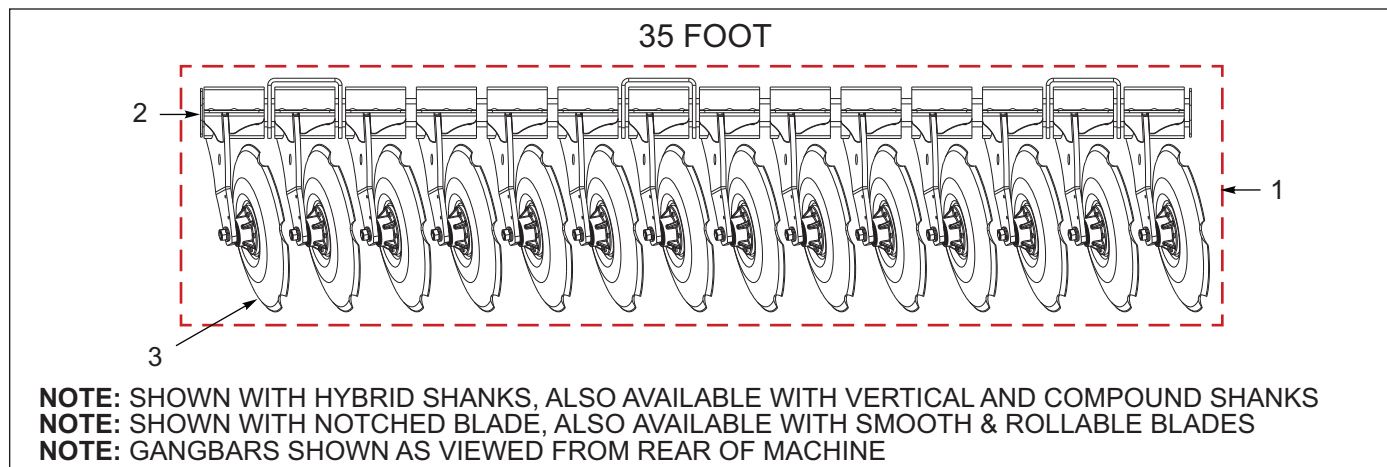


Figure 13-3: 35' Gang Assemblies (Right Wing - Rear)

### 35' Gang Assemblies (Right Wing - Rear)

ITEM	PART NUMBER	DESCRIPTION	QTY.
1	184424	GANG-35, RR, CMPND, NTCHD, ASSY (SHOWN) (ITEMS #1 (1) 192956, #3 (14) 195153 (BEFORE 03/01/2018)) (ITEMS #1 (1) 192956, #3 (14) 209206 (AFTER 03/01/2018))	1
1	192966	GANG-35, RR, VERT, NTCHD, ASSY (ITEMS #1 (1) 192956, #3 (14) 195132 (BEFORE 03/01/2018)) (ITEMS #1 (1) 192956, #3 (14) 207509 (AFTER 03/01/2018))	1
1	198848	GANG-35, RR, CMPND, SM, ASSY (ITEMS #1 (1) 192956, #3 (14) 201296 (BEFORE 03/01/2018)) (ITEMS #1 (1) 192956, #3 (14) 212230 (AFTER 03/01/2018))	1
1	198854	GANG-35, RR, VERT, SM, ASSY (ITEMS #1 (1) 192956, #3 (14) 201294 (BEFORE 03/01/2018)) (ITEMS #1 (1) 192956, #3 (14) 209208 (AFTER 03/01/2018))	1
1	198924	GANG-35, RR, CMPND, ROLL, ASSY (ITEMS #1 (1) 192956, #3 (14) 201298 (BEFORE 03/01/2018)) (ITEMS #1 (1) 192956, #3 (14) 209212 (AFTER 03/01/2018))	1
1	198928	GANG-35, RR, VERT, ROLL, ASSY (ITEMS #1 (1) 192956, #3 (14) 201300 (BEFORE 03/01/2018)) (ITEMS #1 (1) 192956, #3 (14) 212232 (AFTER 03/01/2018))	1
1	212603	GANG-35, RR, CMPND, NTCHD, ASSY (ITEMS #1 (1) 210845, #3 (14) 209206 (03/01/18 - 03/01/19)) (ITEMS #1 (1) 210845, #3 (14) 217292 (AFTER 03/01/19))	1
1	212604	GANG-35, RR, CMPND, SM, ASSY (ITEMS #1 (1) 210845, #3 (14) 209208 (03/01/18 - 03/01/19)) (ITEMS #1 (1) 210845, #3 (14) 217294 (AFTER 03/01/19))	1
1	212605	GANG-35, RR, CMPND, ROLL, ASSY (ITEMS #1 (1) 210845, #3 (14) 209212 (03/01/18 - 03/01/19)) (ITEMS #1 (1) 210845, #3 (14) 217294 (AFTER 03/01/19))	1
1	212606	GANG-35, RR, HYBRD, NTCHD, ASSY (ITEMS #1 (1) 210845, #3 (14) 207518 (03/01/18 - 03/01/19)) (ITEMS #1 (1) 210845, #3 (14) 217316 (AFTER 03/01/19))	1
1	212607	GANG-35, RR, HYBRD, SM, ASSY (ITEMS #1 (1) 210845, #3 (14) 209210 (03/01/18 - 03/01/19)) (ITEMS #1 (1) 210845, #3 (14) 217318 (AFTER 03/01/19))	1

## 35' Gang Assemblies (Right Wing - Rear)

ITEM	PART NUMBER	DESCRIPTION	QTY.
1	212608	GANG-35, RR, HYBRD, ROLL, ASSY (ITEMS #1 (1) 210845, #3 (14) 209214 (03/01/18 - 03/01/19)) (ITEMS #1 (1) 210845, #3 (14) 217320 (AFTER 03/01/19))	1
1	212609	GANG-35, RR, VERT, NTCHD, ASSY (SHOWN) (ITEMS #1 (1) 210845, #3 (14) 207509 (03/01/18 - 03/01/19)) (ITEMS #1 (1) 210845, #3 (14) 217306 (AFTER 03/01/19))	1
1	212610	GANG-35, RR, VERT, SM, ASSY (ITEMS #1 (1) 210845, #3 (14) 212230 (03/01/18 - 03/01/19)) (ITEMS #1 (1) 210845, #3 (14) 217308 (AFTER 03/01/19))	1
1	212611	GANG-35, RR, VERT, ROLL, ASSY (ITEMS #1 (1) 210845, #3 (14) 212232 (03/01/18 - 03/01/19)) (ITEMS #1 (1) 210845, #3 (14) 217310 (AFTER 03/01/19))	1
2	192956	GANGBAR WLDMT REAR, RH 35	1
2	210845	GANGBAR WLDMT, REAR, RH 35	1
3	195153	DISC-RH, COMP, NTCHD, ASSY (BEFORE 03/01/2018) (SEE PAGE 15-1)	14
3	201294	DISC-RH, COMP, SM, ASSY (BEFORE 03/01/2018) (SEE PAGE 15-1)	14
3	201298	DISC-RH, COMP, ROLL, ASSY (BEFORE 03/01/2018) (SEE PAGE 15-1)	14
3	195132	DISC-RH, VERT, NTCHD, ASSY (BEFORE 03/01/2018) (SEE PAGE 15-4)	14
3	201296	DISC-RH, VERT, SM, ASSY (BEFORE 03/01/2018) (SEE PAGE 15-4)	14
3	201300	DISC-RH, VERT, ROLL, ASSY (BEFORE 03/01/2018) (SEE PAGE 15-4)	14
3	209206	DISC-RH, COMP, NTCHD, ASSY (03/01/18 - 03/01/19) (SEE PAGE 15-1)	14
3	209208	DISC-RH, COMP, SM, ASSY (03/01/18 - 03/01/19) (SEE PAGE 15-1)	14
3	209212	DISC-RH, COMP, ROLL, ASSY (03/01/18 - 03/01/19) (SEE PAGE 15-1)	14
3	207509	DISC-RH, VERT, NTCHD, ASSY (03/01/18 - 03/01/19) (SEE PAGE 15-4)	14
3	212230	DISC-RH, VERT, SM, ASSY (03/01/18 - 03/01/19) (SEE PAGE 15-4)	14
3	212232	DISC-RH, VERT, ROLL, ASSY (03/01/18 - 03/01/19) (SEE PAGE 15-4)	14
3	207518	DISC-RH, HYBRD, NTCHD, ASSY (03/01/18 - 03/01/19) (SEE PAGE 15-7)	14
3	209210	DISC-RH, HYBRD, SM, ASSY (03/01/18 - 03/01/19) (SEE PAGE 15-7)	14
3	209214	DISC-RH, HYBRD, ROLL, ASSY (03/01/18 - 03/01/19) (SEE PAGE 15-7)	14
3	217292	DISC-RH,COMP17-20, NTCHD ASSY (AFTER 03/01/2019) (SEE PAGE 15-2)	14
3	217294	DISC-RH,COMP17-20,SMOOTH ASSY (AFTER 03/01/2019) (SEE PAGE 15-2)	14
3	217296	DISC-RH,COMP17-20, ROLL ASSY (AFTER 03/01/2019) (SEE PAGE 15-2)	14
3	217306	DISC-RH, VERT,17P, NOTCHD, ASM (AFTER 03/01/2019) (SEE PAGE 15-5)	14
3	217308	DISC-RH, VERT,17P, SMOOTH, ASM (AFTER 03/01/2019) (SEE PAGE 15-5)	14
3	217310	DISC-RH, VERT,17P, ROLL, ASM (AFTER 03/01/2019) (SEE PAGE 15-5)	14
3	217316	DISC,RH,HYBRID,17-7,NOTCHD ASM (AFTER 03/01/2019) (SEE PAGE 15-8)	14
3	217318	DISC,RH,HYBRID,17-7,SMOOTH ASM (AFTER 03/01/2019) (SEE PAGE 15-8)	14
3	217320	DISC,RH,HYBRID,17-7,ROLL ASM (AFTER 03/01/2019) (SEE PAGE 15-8)	14

### 40' Gang Assemblies (Right Wing - Rear)

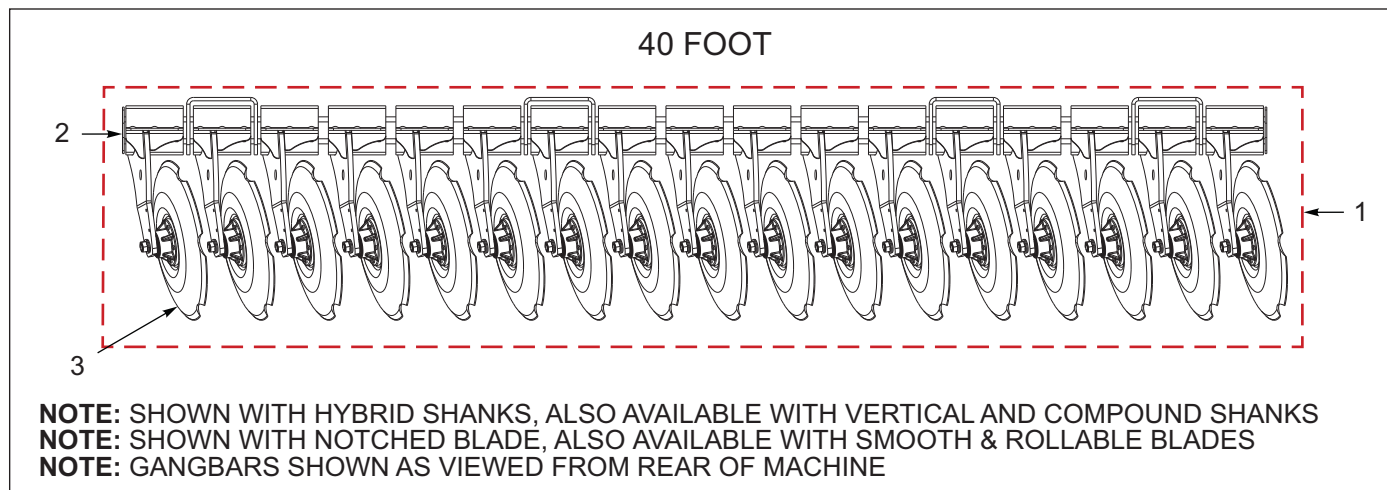


Figure 13-4: 40' Gang Assemblies (Right Wing - Rear)

### 40' Gang Assemblies (Right Wing - Rear)

ITEM	PART NUMBER	DESCRIPTION	QTY.
1	184422	GANG-40, RR, CMPND, NTCHD, ASSY (SHOWN) (ITEMS #1 (1) 192959, #3 (17) 195153 (BEFORE 03/01/2018)) (ITEMS #1 (1) 192959, #3 (17) 209206 (AFTER 03/01/2018))	1
1	192621	GANG-40, RR, VERT, NTCHD, ASSY (ITEMS #1 (1) 192959, #3 (17) 195132 (BEFORE 03/01/2018)) (ITEMS #1 (1) 192959, #3 (17) 207509 (AFTER 03/01/2018))	1
1	198856	GANG-40, RR, CMPND, SM, ASSY (ITEMS #1 (1) 192959, #3 (17) 201294 (BEFORE 03/01/2018)) (ITEMS #1 (1) 192959, #3 (17) 209206 (AFTER 03/01/2018))	1
1	198858	GANG-40, RR, VERT, SM, ASSY (ITEMS #1 (1) 192959, #3 (17) 201296 (BEFORE 03/01/2018)) (ITEMS #1 (1) 192959, #3 (17) 212230 (AFTER 03/01/2018))	1
1	198930	GANG-40, RR, CMPND, ROLL, ASSY (ITEMS #1 (1) 192959, #3 (17) 201298 (BEFORE 03/01/2018)) (ITEMS #1 (1) 192959, #3 (17) 209212 (AFTER 03/01/2018))	1
1	198932	GANG-40, RR, VERT, ROLL, ASSY (ITEMS #1 (1) 192959, #3 (17) 201300 (BEFORE 03/01/2018)) (ITEMS #1 (1) 192959, #3 (17) 212232 (AFTER 03/01/2018))	1
1	212621	GANG-40, CMPND, NTCHD, ASSY (ITEMS #1 (1) 210846, #3 (17) 209206 (03/01/18 - 03/01/19)) (ITEMS #1 (1) 210846, #3 (17) 217292 (AFTER 03/01/2019))	1
1	212622	GANG-40, RR, CMPND, SM, ASSY (ITEMS #1 (1) 210846, #3 (17) 209208 (03/01/18 - 03/01/19)) (ITEMS #1 (1) 210846, #3 (17) 217294 (AFTER 03/01/2019))	1
1	212623	GANG-40, RR, CMPND, ROLL, ASSY (ITEMS #1 (1) 210846, #3 (17) 209212 (03/01/18 - 03/01/19)) (ITEMS #1 (1) 210846, #3 (17) 217296 (AFTER 03/01/2019))	1
1	212624	GANG-40, RR, HYBRD, NTCHD, ASSY (ITEMS #1 (1) 210846, #3 (17) 207518 (03/01/18 - 03/01/19)) (ITEMS #1 (1) 210846, #3 (17) 217316 (AFTER 03/01/2019))	1
1	212625	GANG-40, RR, HYBRD, SM, ASSY (ITEMS #1 (1) 210846, #3 (17) 209210 (03/01/18 - 03/01/19)) (ITEMS #1 (1) 210846, #3 (17) 217318 (AFTER 03/01/2019))	1

## 40' Gang Assemblies (Right Wing - Rear)

ITEM	PART NUMBER	DESCRIPTION	QTY.
1	212626	GANG-40, RR, HYBRD, ROLL, ASSY (ITEMS #1 (1) 210846, #3 (17) 209214 (03/01/18 - 03/01/19)) (ITEMS #1 (1) 210846, #3 (17) 217320 (AFTER 03/01/2019))	1
1	212627	GANG-40, RR, VERT, NTCHD, ASSY (ITEMS #1 (1) 210846, #3 (17) 207509 (03/01/18 - 03/01/19)) (ITEMS #1 (1) 210846, #3 (17) 217306 (AFTER 03/01/2019))	1
1	212628	GANG-40, RR, VERT, SM, ASSY (ITEMS #1 (1) 210846, #3 (17) 212230 (03/01/18 - 03/01/19)) (ITEMS #1 (1) 210846, #3 (17) 217308 (AFTER 03/01/2019))	1
1	212629	GANG-40, RR, VERT, ROLL, ASSY (ITEMS #1 (1) 210846, #3 (17) 212232 (03/01/18 - 03/01/19)) (ITEMS #1 (1) 210846, #3 (17) 217310 (AFTER 03/01/2019))	1
2	192959	GANGBAR WLDMT REAR, RH 40	1
2	210846	GANGBAR WLDMT, REAR, RH 40	1
3	195153	DISC-RH, COMP, NTCHD, ASSY (BEFORE 03/01/2018) (SEE PAGE 15-1)	17
3	201294	DISC-RH, COMP, SM, ASSY (BEFORE 03/01/2018) (SEE PAGE 15-1)	17
3	201298	DISC-RH, COMP, ROLL, ASSY (BEFORE 03/01/2018) (SEE PAGE 15-1)	17
3	195132	DISC-RH, VERT, NTCHD, ASSY (BEFORE 03/01/2018) (SEE PAGE 15-4)	17
3	201296	DISC-RH, VERT, SM, ASSY (BEFORE 03/01/2018) (SEE PAGE 15-4)	17
3	201300	DISC-RH, VERT, ROLL, ASSY (BEFORE 03/01/2018) (SEE PAGE 15-4)	17
3	209206	DISC-RH, COMP, NTCHD, ASSY (03/01/18 - 03/01/19) (SEE PAGE 15-1)	17
3	209208	DISC-RH, COMP, SM, ASSY (03/01/18 - 03/01/19) (SEE PAGE 15-1)	17
3	209212	DISC-RH, COMP, ROLL, ASSY (03/01/18 - 03/01/19) (SEE PAGE 15-1)	17
3	207509	DISC-RH, VERT, NTCHD, ASSY (03/01/18 - 03/01/19) (SEE PAGE 15-4)	17
3	212230	DISC-RH, VERT, SM, ASSY (03/01/18 - 03/01/19) (SEE PAGE 15-4)	17
3	212232	DISC-RH, VERT, ROLL, ASSY (03/01/18 - 03/01/19) (SEE PAGE 15-4)	17
3	207518	DISC-RH, HYBRD, NTCHD, ASSY (03/01/18 - 03/01/19) (SEE PAGE 15-7)	17
3	209210	DISC-RH, HYBRD, SM, ASSY (03/01/18 - 03/01/19) (SEE PAGE 15-7)	17
3	209214	DISC-RH, HYBRD, ROLL, ASSY (03/01/18 - 03/01/19) (SEE PAGE 15-7)	17
3	217292	DISC-RH,COMP17-20, NTCHD ASSY (AFTER 03/01/2019) (SEE PAGE 15-2)	17
3	217294	DISC-RH,COMP17-20,SMOOTH ASSY (AFTER 03/01/2019) (SEE PAGE 15-2)	17
3	217296	DISC-RH,COMP17-20, ROLL ASSY (AFTER 03/01/2019) (SEE PAGE 15-2)	17
3	217306	DISC-RH, VERT,17P, NOTCHD, ASM (AFTER 03/01/2019) (SEE PAGE 15-5)	17
3	217308	DISC-RH, VERT,17P, SMOOTH, ASM (AFTER 03/01/2019) (SEE PAGE 15-5)	17
3	217310	DISC-RH, VERT,17P, ROLL, ASM (AFTER 03/01/2019) (SEE PAGE 15-5)	17
3	217316	DISC,RH,HYBRID,17-7,NOTCHD ASM (AFTER 03/01/2019) (SEE PAGE 15-8)	17
3	217318	DISC,RH,HYBRID,17-7,SMOOTH ASM (AFTER 03/01/2019) (SEE PAGE 15-8)	17
3	217320	DISC,RH,HYBRID,17-7,ROLL ASM (AFTER 03/01/2019) (SEE PAGE 15-8)	17



# Left Hand - Front Disc Assemblies

## Compound Angle Shank Assembly (LH Front) (BEFORE 03/01/2019)

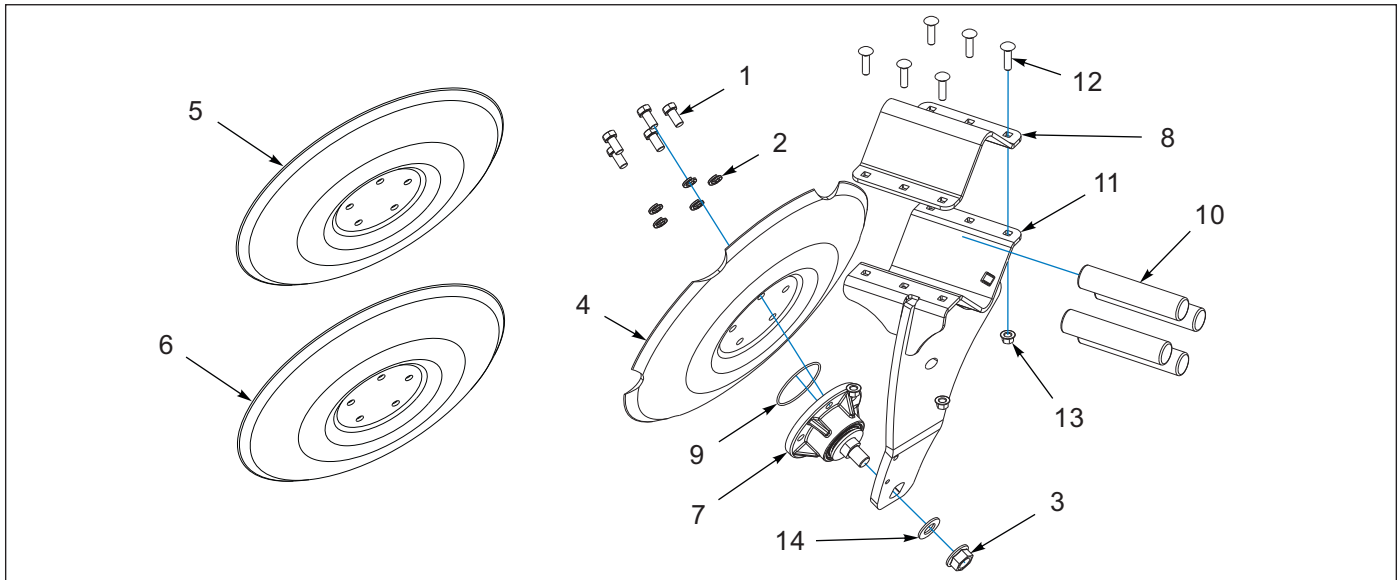


Figure 14-1: Compound Angle Shank Assembly (LH Front) (BEFORE 03/01/2019)

## Compound Angle Shank Assembly (LH Front) (BEFORE 03/01/2019)

ITEM	PART NUMBER	DESCRIPTION	QTY.
	195152	DISC ASSY LH COMPOUND (NOTCHED) (BEFORE 03/01/2018)	--
	201293	DISC ASSY LH COMPOUND SMOOTH (BEFORE 03/01/2018)	--
	201297	DISC ASSY LH COMPOUND ROLLABLE (BEFORE 03/01/2018)	--
	209205	DISC-LH,COMP,17-20,NTCHD,ASM (03/01/18 - 03/01/19)	--
	209207	DISC-LH,COMP,17-20,SMOOTH,ASM (03/01/18 - 03/01/19)	--
	209211	DISC-LH,CMP,17-20,ROLLABLE,ASM (03/01/18 - 03/01/19)	--
1	1-654-010059-02	SCREW,HEX CAP,5/8-11X1-1/4GR5	5
2	1-861-010034-15	WASHER,LKG,HLCL SPR,5/8	5
3	174732	NUT, FLG HD, TOPLOCK, 1-8 UNC	1
4	175283	DISC BLADE LH 24X1/4 DIR NTCHD (NOTCHED)	1
5	175329	BLADE HSD 24 NO NOTCH (SMOOTH)	1
6	198785	BLADE-HSL,SMOOTH,24X1/4,ROLLBL (ROLLABLE)	1
7	210880	HUB ASSY HSL DISC (INCLUDES 3, 9, 14) (SEE PAGE 14-7)	1
8	186979	CAP-SHANK MOUNT	1
9	202843	O-RING, 4" ID X 1/8" BUNA	1
10	203525	SPRING-TORSION, RUBBER, 1-3/4	4
11	209203	SHANK-COMP,LH, 17-20P, WLDMNT	1
12	209392	SCREW-RDH, SQ NK,1/2-20X2,GR8	6
13	209393	NUT,1/2-20,LG FLNG HD TOP LOCK	6
14	622-3511-010	WASHER, FLAT 1" MIL-CARB SAE	1
15	1-512-010005-05	NUT, HEX SLFLKG, 3/8-16 UNC, GRB (NOT SHOWN)	2
16	195009	SCREW, RDHD 3/8-16 X 1-1/2, GR5 (NOT SHOWN)	2
17	195162	SCRAPER-COMPOUND, FRONT HSL (NOT SHOWN) (BEFORE 03/01/2018)	1
17	195161	SCRAPER-COMPOUND, FRONT HSL (NOT SHOWN) (AFTER 03/01/2018)	1
18	-----	ITEMS 15-17 (OPTIONAL SCRAPER FOR COMPOUND ANGLE SHANK)	--

**Compound Angle Shank Assembly (LH Front) (AFTER 03/01/2019)**

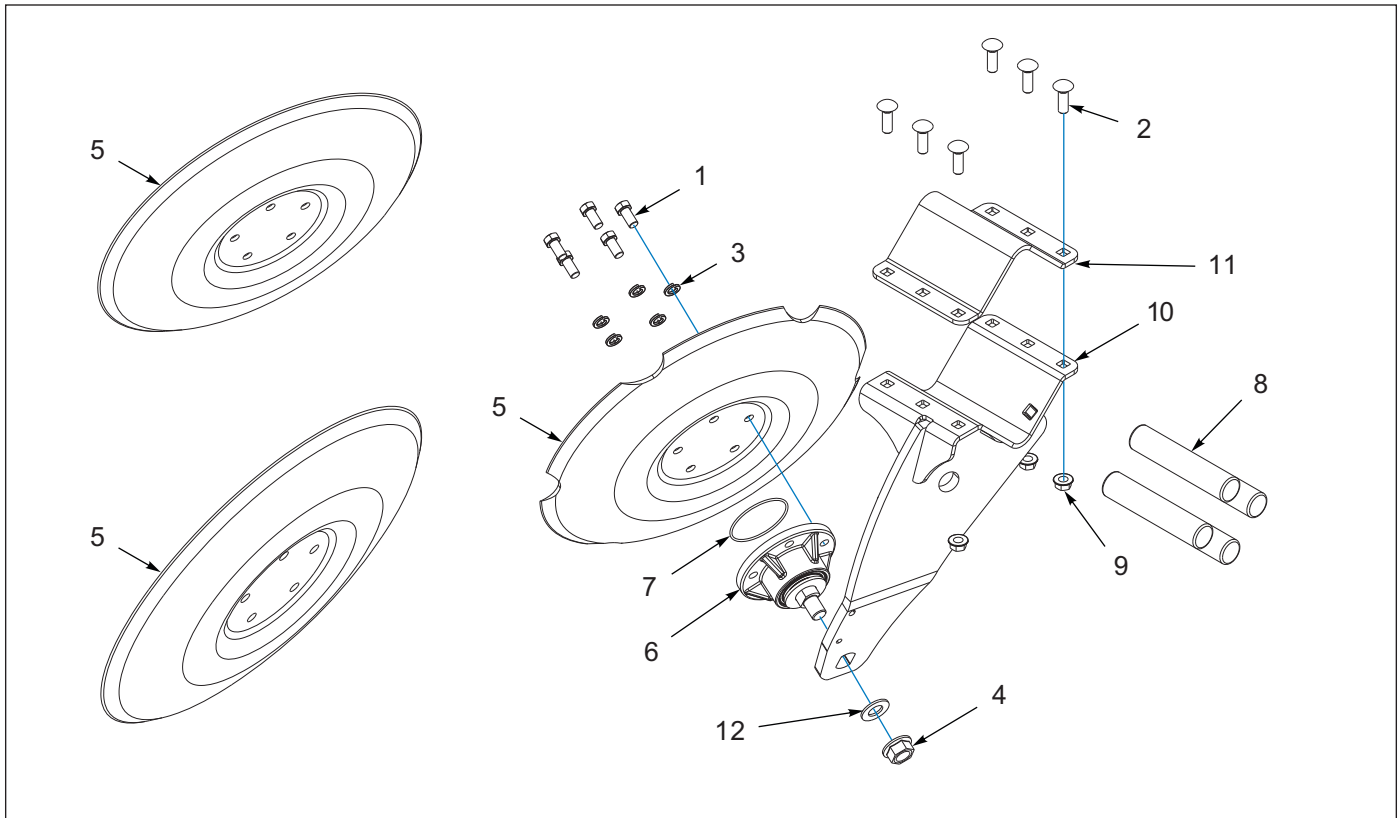


Figure 14-2: Compound Angle Shank Assembly (LH Front) (AFTER 03/01/2019)

**Compound Angle Shank Assembly (LH Front) (AFTER 03/01/2019)**

ITEM	PART NUMBER	DESCRIPTION	QTY.
	217291	DISC-LH,COMP17-20,NOTCHD ASSY (SHOWN)	--
	217293	DISC-LH,COMP17-20,SMOOTH ASSY	--
	217295	DISC-LH,COMP17-20, ROLL ASSY	--
1	1-654-010059-02	SCREW,HEX CAP,5/8-11X1-1/4GR5	5
2	1-654-010126-05	SCREW,RD HD,SQNCK,5/8-11X2 G5	6
3	1-861-010034-15	WASHER,LKG,HLCL SPR,5/8	5
4	174732	NUT, FLG HD, TOPLOCK, 1-8 UNC	1
5	175283	DISC BLADE LH 24X1/4 DIR NOTCH (NOTCHED)	1
5	175329	BLADE HSD 24 NO NOTCH (SMOOTH)	1
5	198785	BLADE-HSL,SMOOTH,24X1/4,ROLLBL (ROLLABLE)	1
6	185742	HUB ASSY HSL DISC (INCLUDES ITEMS 4, 7, 12)	1
7	202843	O-RING, 4" ID X 1/8" BUNA	1
8	203525	SPRING-TORSION, RUBBER, 1-3/4	4
9	218739	NUT,HD FLNG HEX,5/8-11 UNC,GR5	6
10	219985	SHANK-COMP, LH, 1720P, WLDMT	1
11	221066	CAP-SHANK MOUNT	1
12	622-3511-010	WASHER, FLAT 1" MIL-CARB SAE	1
13	-----	SCRPR-FRONT ONLY, 7833 (SEE PAGE 16-1) (OPTIONAL) (NOT SHOWN) (ITEMS 14, 15, 16)	--
14	1-512-010005-05	NUT, HEX, SLFLKG GRB (NOT SHOWN)	--
15	195009	SCREW,RD HD 3/8-16X1-1/2 (NOT SHOWN)	--
16	195161	SCRAPER-FRONT LH, HSL (NOT SHOWN)	--



### Vertical Shank Assembly (LH Front) (BEFORE 03/01/2019)

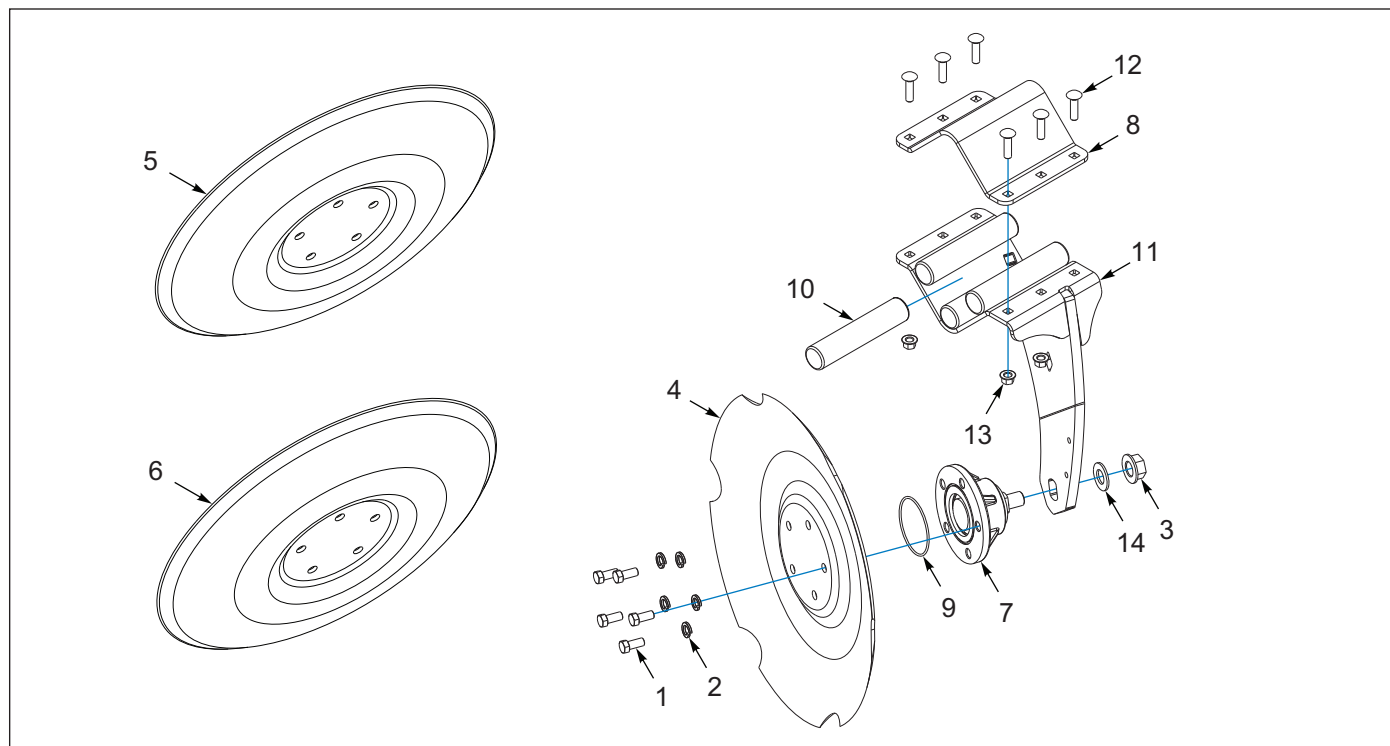
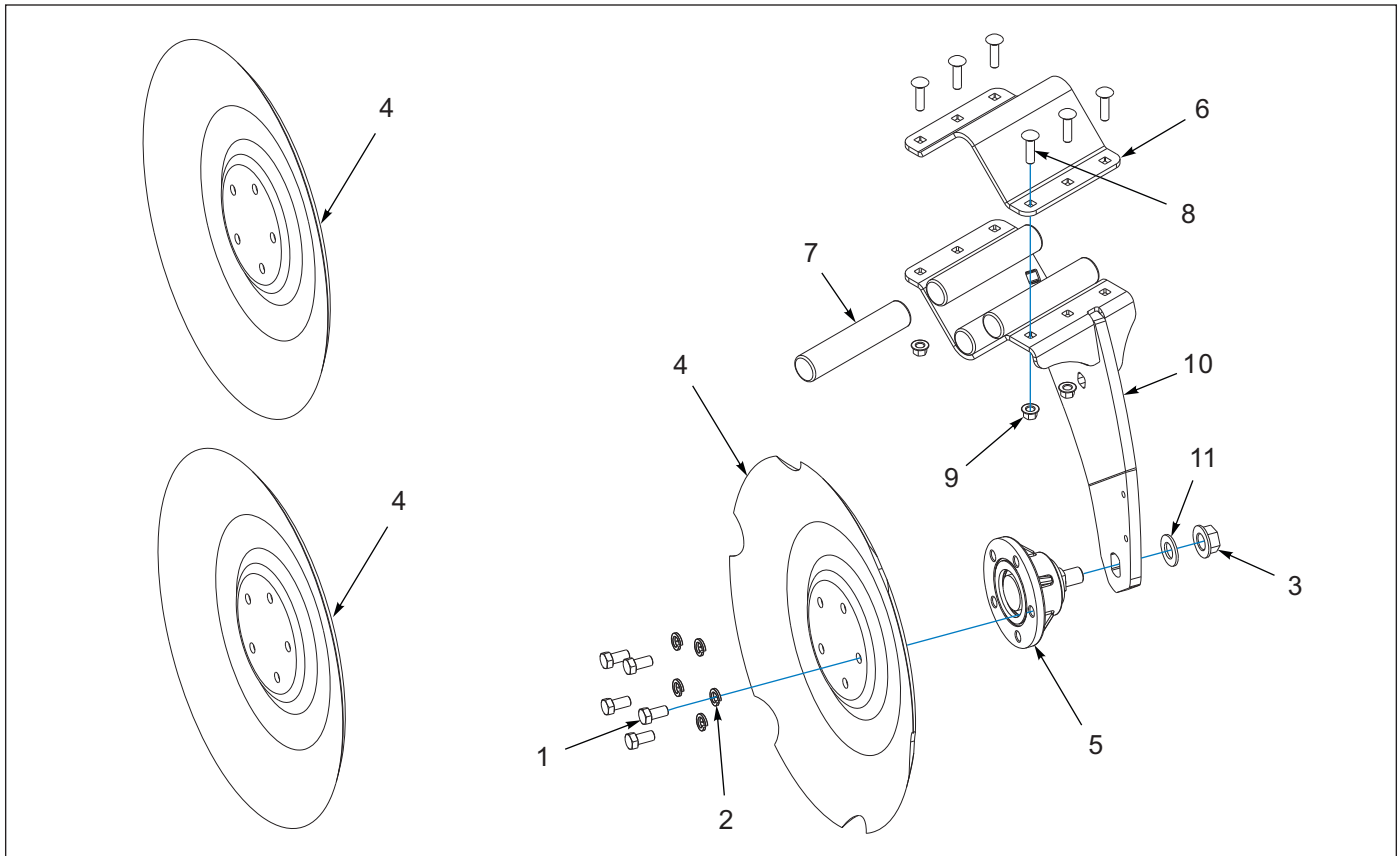


Figure 14-3: Vertical Shank Assembly (LH Front) (BEFORE 03/01/2019)

### Vertical Shank Assembly (LH Front) (BEFORE 03/01/2019)

ITEM	PART NUMBER	DESCRIPTION	QTY.
	195131	DISC-RH, VERT, NTCHD, ASSY (BEFORE 03/01/2018)	--
	201295	DISC-RH, VERT, SM, ASSY (BEFORE 03/01/2018)	--
	201299	DISC-RH, VERT, ROLL, ASSY (BEFORE 03/01/2018)	--
	207508	DISC-RH, VERT, NTCHD, ASSY (03/01/18 - 03/01/19)	--
	212229	DISC-RH, VERT, SM, ASSY (03/01/18 - 03/01/19)	--
	212231	DISC-RH, VERT, ROLL, ASSY (03/01/18 - 03/01/19)	--
1	1-654-010059-02	SCREW,HEX CAP,5/8-11X1-1/4GR5	5
2	1-861-010034-15	WASHER,LKG,HLCL SPR,5/8	5
3	174732	NUT, FLG HD, TOPLOCK, 1-8 UNC	1
4	175283	DISC BLADE LH 24X1/4 DIR NTCHD	1
5	175329	BLADE HSD 24 NO NTCHD	1
6	198785	BLADE-HSL.SMOOTH.24X1/4, ROLLBL	1
7	210880	HUB ASSY HSL DISC (INCLUDES 3, 9, 14) (SEE PAGE 14-7)	1
8	186979	CAP SHANK MOUNT	1
9	202843	O-RING, 4" ID X 1/8" BUNA	1
10	203525	SPRING-TORSION, RUBBER, 1-3/4	4
11	207506	SHANK-VERT, LH, 17P, WLDMT	1
12	209392	SCREW, RDH, SQ NK,1/2-20GR8	6
13	209393	NUT,1/2-20,LG FLNG HD TOP LOCK	6
14	622-3511-010	WASHER, FLAT 1" MIL-CARB SAE	1
15	1-512-010005-05	NUT, HEX SLFLKG, 3/8-16 UNC, GRB (NOT SHOWN)	2
16	195009	SCREW, RDHD 3/8-16 X 1-1/2, GR5 (NOT SHOWN)	2
17	195164	SCRAPER-VERTICAL, FRONT HSL (NOT SHOWN)	1
18	-----	ITEMS 15-16 (OPTIONAL SCRAPER FOR VERTICAL SHANK)	--

**Vertical Shank Assembly (LH Front) (AFTER 03/01/2019)**



**Figure 14-4: Vertical Shank Assembly (LH Front) (AFTER 03/01/2019)**

**Vertical Shank Assembly (LH Front) (AFTER 03/01/2019)**

ITEM	PART NUMBER	DESCRIPTION	QTY.
	217305	DISC-LH, VERT,17P, NOTCHD, ASM	--
	217307	DISC-LH, VERT,17P, SMOOTH, ASM	--
	217309	DISC-LH, VERT,17P, ROLL, ASM	--
1	1-654-010059-02	SCREW,HEX CAP,5/8-11X1-1/4GR5	5
2	1-861-010034-15	WASHER,LKG,HLCL SPR,5/8	5
3	174732	NUT, FLG HD, TOPLOCK, 1-8 UNC	1
4	175283	DISC BLADE LH 24X1/4 DIR NOTCH ( <b>NOTCHED</b> )	1
4	175329	BLADE HSD 24 NO NOTCH ( <b>SMOOTH</b> )	1
4	198785	BLADE-HSL,SMOOTH,24X1/4,ROLLBL ( <b>ROLLABLE</b> )	1
5	185742	HUB ASSY HSL DISC ( <b>INCLUDES 3, 11</b> ) ( <b>SEE PAGE 14-7</b> )	1
6	186979	CAP SHANK MOUNT	1
7	203525	SPRING-TORSION, RUBBER, 1-3/4	4
8	209392	SCREW-RDH, SQ NK,1/2-20X2,GR8	6
9	209393	NUT,1/2-20,LG FLNG HD TOP LOCK	6
10	217283	SHANK, VERT, LH, 17P, WLDMT	1
11	622-3511-010	WASHER, FLAT 1" MIL-CARB SAE	1
12	-----	SCRPR-FRONT ONLY, 7833 ( <b>SEE PAGE 16-1</b> ) <b>(OPTIONAL) (NOT SHOWN) (ITEMS 13, 14, 15)</b>	--
13	1-512-010005-05	NUT, HEX, SLFLKG GRB ( <b>NOT SHOWN</b> )	--
14	195009	SCREW,RD HD 3/8-16X1-1/2 ( <b>NOT SHOWN</b> )	--
15	195161	SCRAPER-FRONT LH, HSL ( <b>NOT SHOWN</b> )	--

Hybrid Shank Assembly (LH Front) (BEFORE 03/01/2020)

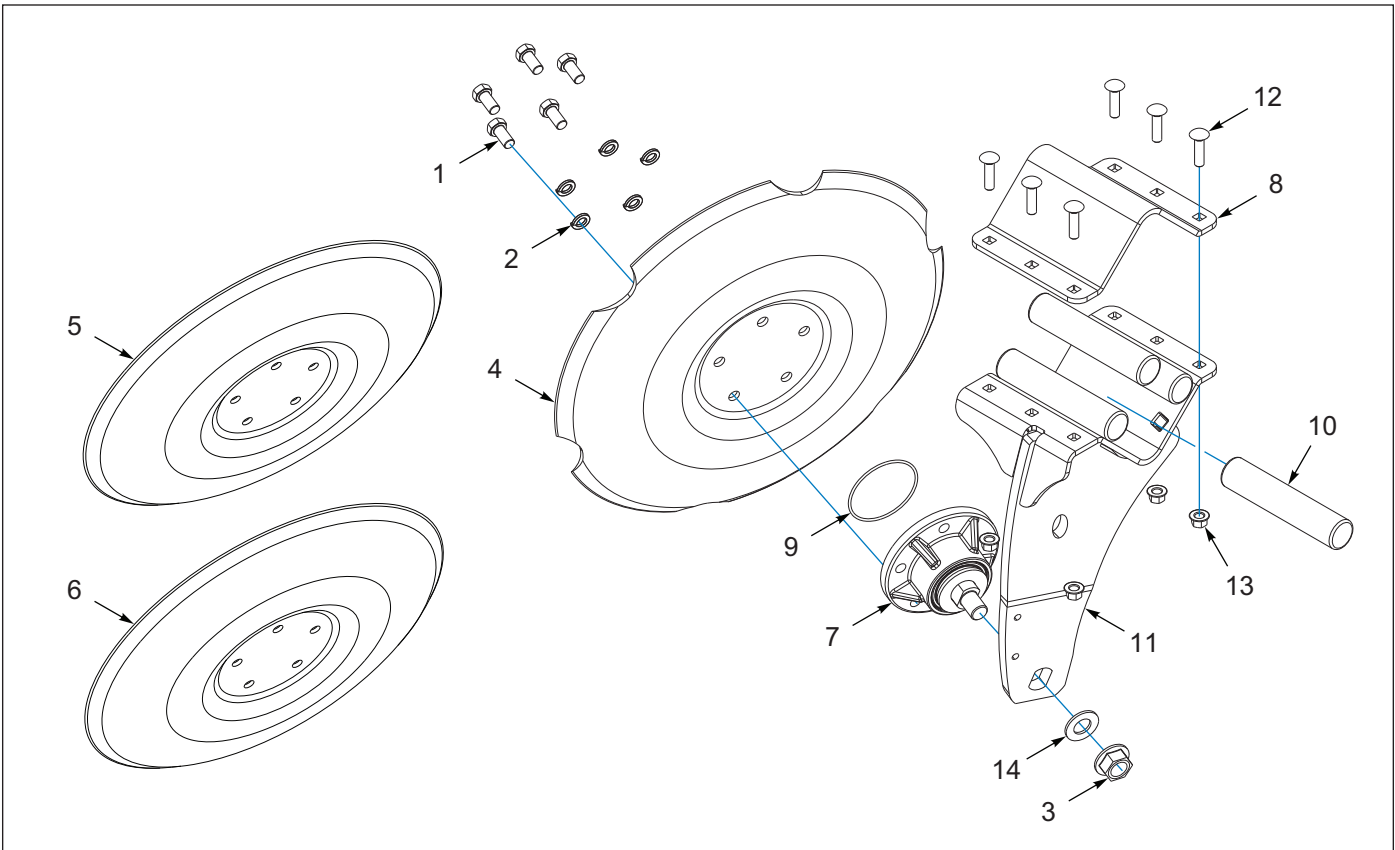


Figure 14-5: Hybrid Shank Assembly (LH Front) (BEFORE 03/01/2020)

Hybrid Shank Assembly (LH Front) (BEFORE 03/01/2020)

ITEM	PART NUMBER	DESCRIPTION	QTY.
	207517	DISC-LH, HYBRD, NTCHD, ASSY (AFTER 03/01/2018)	--
	209209	DISC-LH, HYBRD, SM, ASSY (AFTER 03/01/2018)	--
	209213	DISC-LH, HYBRD, ROLL, ASSY (AFTER 03/01/2018)	--
1	1-654-010059-02	SCREW, HEX CAP,5/8-11X1-1/4GR5	5
2	1-861-010034-15	WASHER, LKG, HLCL SPR,5/8	5
3	174732	NUT, FLG HD, TOPLOCK, 1-8 UNC	1
4	175283	DISC BLADE LH 24X1/4 DIR NTCHD (NOTCHED)	1
5	175329	BLADE HSD 24 NO NOTCH (SMOOTH)	1
6	198785	BLADE-HSL,SMOOTH,24X1/4,ROLLBL (ROLLABLE)	1
7	210880	HUB ASSY HSL DISC (INCLUDES 3, 9, 14) (SEE PAGE 14-7)	1
8	186979	CAP SHANK MOUNT	1
9	202843	O-RING, 4IN ID X 1/8IN BUNA	1
10	203525	SPRING-TORSION, RUBBER, 1-3/4	4
11	207515	SHANK-HYBRID, LH, 17-7, WLDMNT	1
12	209392	SCREW, RDH, SQ NK,1/2-20GR8	6
13	209393	NUT,1/2-20,LG FLNG HD TOP LOCK	6
14	622-3511-010	WASHER, FLAT 1IN MIL-CARB SAE	1
15	1-512-010005-05	NUT, HEX SLFLKG, 3/8-16 UNC, GRB (NOT SHOWN)	2
16	195009	SCREW, RDHD 3/8-16 X 1-1/2, GR5 (NOT SHOWN)	2
17	195164	SCRAPER-VERTICAL, REAR HSL (NOT SHOWN)	1
18	-----	ITEMS 15-17 (OPTIONAL SCRAPER FOR VERTICAL SHANK)	--

### Hybrid Shank Assembly (LH Front) (AFTER 03/01/2019)

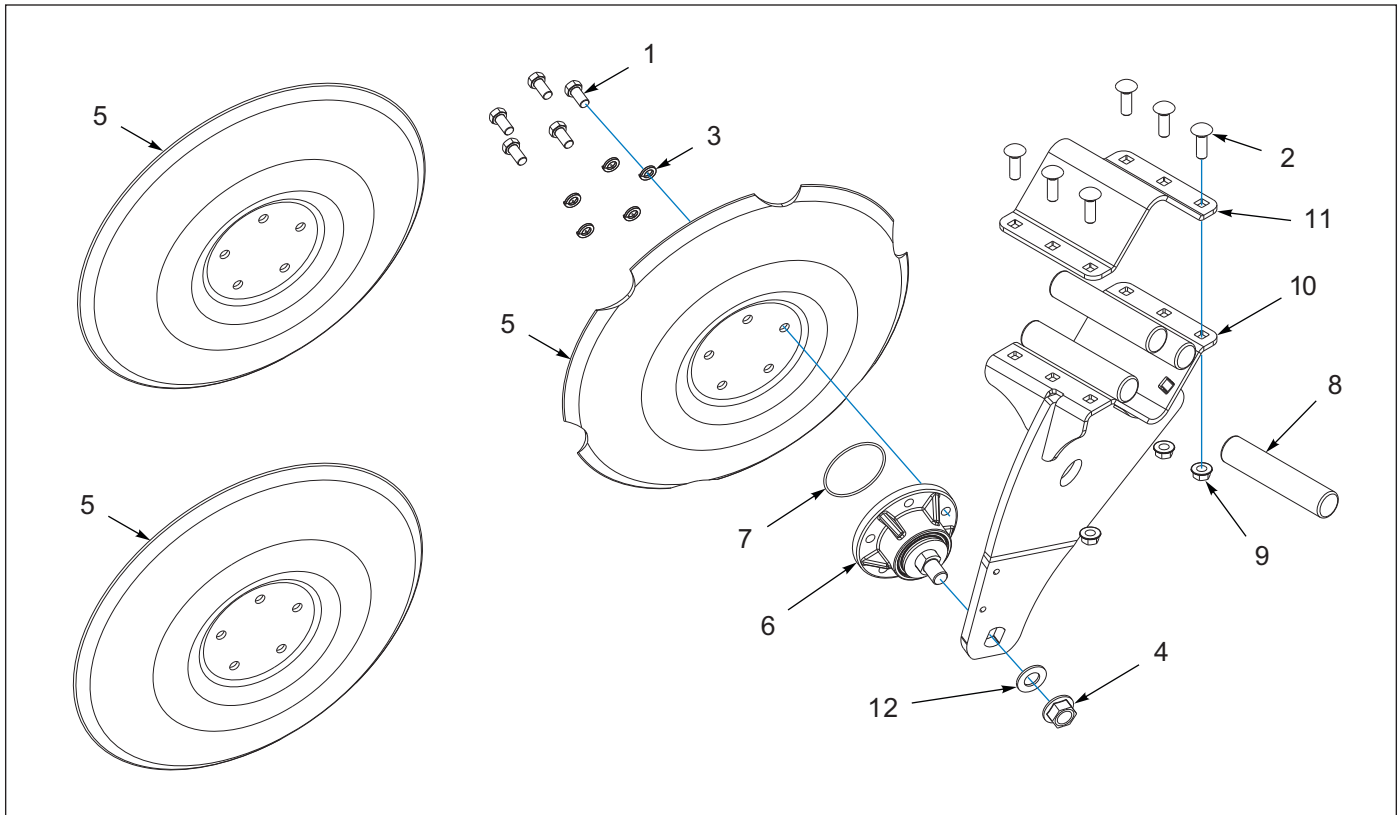


Figure 14-6: Hybrid Shank Assembly (LH Front) (AFTER 03/01/2019)

### Hybrid Shank Assembly (LH Front) (AFTER 03/01/2019)

ITEM	PART NUMBER	DESCRIPTION	QTY.
	217315	DISC-LH,HYBRID,17-7,NOTCHD ASM	--
	217317	DISC,LH,HYBRID,17-7,SMOOTH ASM	--
	217319	DISC,LH,HYBRID,17-7,ROLL ASM	--
1	1-654-010059-02	SCREW,HEX CAP,5/8-11X1-1/4GR5	5
2	1-654-010126-05	SCREW,RD HD,SQLCK,5/8-11X2 G5	6
3	1-861-010034-15	WASHER,LKG,HLCL SPR,5/8	5
4	174732	NUT, FLG HD, TOPLOCK, 1-8 UNC	1
5	175283	DISC BLADE LH 24X1/4 DIR NOTCH ( <b>NOTCHED</b> )	1
5	175329	BLADE HSD 24 NO NOTCH ( <b>SMOOTH</b> )	1
5	198785	BLADE-HSL,SMOOTH,24X1/4,ROLLBL ( <b>ROLLABLE</b> )	1
6	185742	HUB ASSY HSL DISC	1
7	202843	O-RING, 4" ID X 1/8" BUNA	1
8	203525	SPRING-TORSION, RUBBER, 1-3/4	4
9	218739	NUT,HD FLNG HEX,5/8-11 UNC,GR5	6
10	221062	SHANK-HYBRID, LH, 17-7,WLDMT	1
11	221066	CAP-SHANK MOUNT	1
12	622-3511-010	WASHER, FLAT 1" MIL-CARB SAE	1
13	-----	SCRPR-FRONT ONLY, 7833 ( <b>SEE PAGE 16-1</b> ) <b>(OPTIONAL) (NOT SHOWN) (ITEMS 14, 15, 16)</b>	--
14	1-512-010005-05	NUT, HEX, SLFLKG GRB ( <b>NOT SHOWN</b> )	--
15	195009	SCREW,RD HD 3/8-16X1-1/2 ( <b>NOT SHOWN</b> )	--
16	195161	SCRAPER-FRONT LH, HSL ( <b>NOT SHOWN</b> )	--

## Disc Hub Assembly

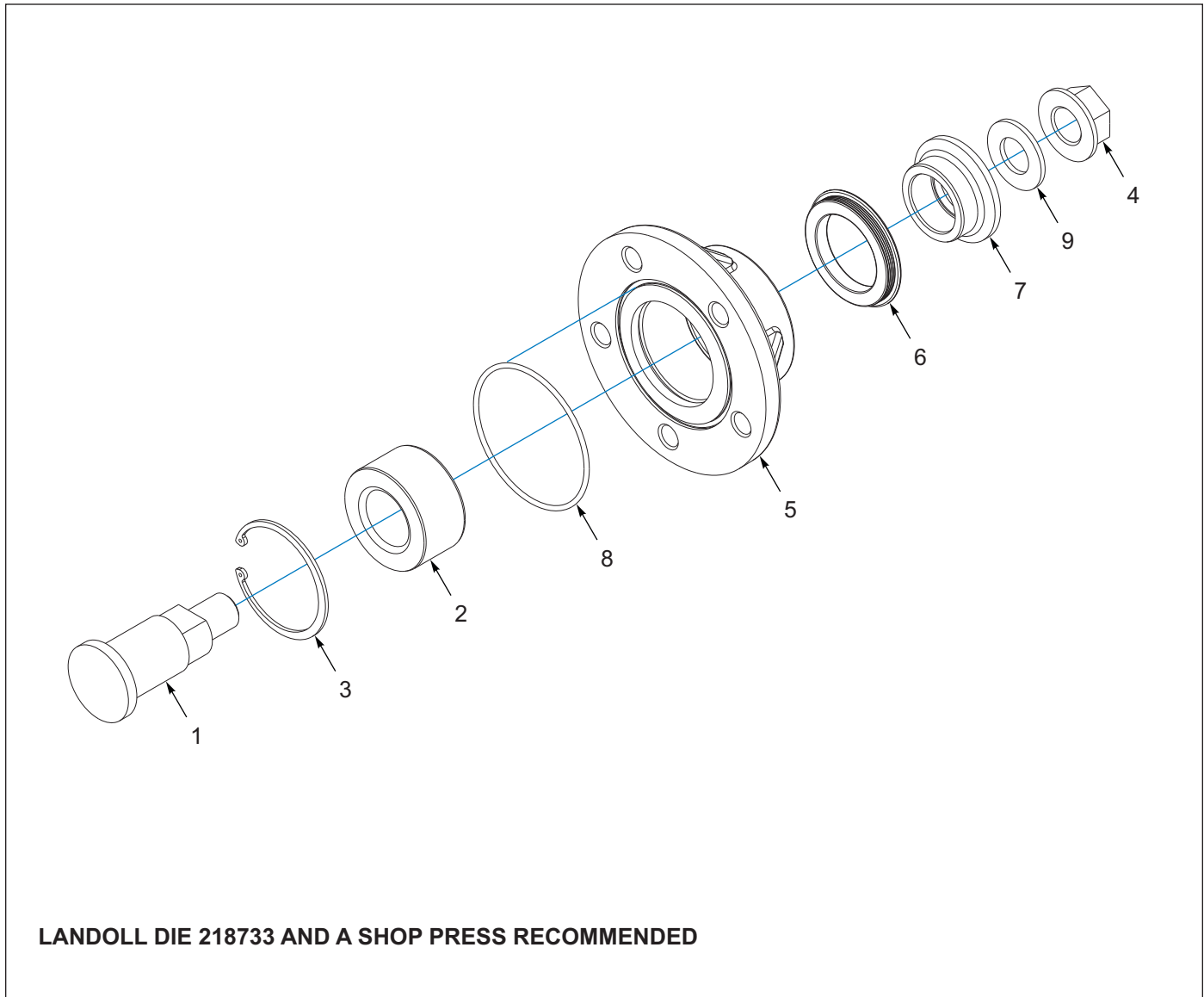


Figure 14-7: Disc Hub Assembly

## Disc Hub Assembly

ITEM	PART NUMBER	DESCRIPTION	QTY.
	210880	KIT-HSL DISC HUB (INCLUDES 1, 2, 3, 5, 6, 7)	--
	219945	KIT-REBUILD, HSL DISC HUB (INCLUDES 2, 3, 4, 6, 8, 9)	--
1	174523	SPINDLE, 2-1/4 IN	1
2	174526	BEARING, DOUBLE TAPER ROLLER	1
3	174532	INTERNAL RETAINING RING	1
4	174732	NUT, FLG HD, TOPLOCK, 1-8 UNC	1
5	185740	CAST, HUB HSL	1
6	185757	SEAL, MAINT FREE HUB, HSL	1
7	188757	BUSHING-SPINDLE MOUNT	1
8	202843	O-RING, 4" ID X 1/8" BUNA	1
9	622-3511-010	WASHER, FLAT 1 MIL-CARB SAE	1
10	218733	DIE-HUB REBUILD, HSL (NOT SHOWN)	1



# Right Hand - Rear Disc Assemblies

## Compound Shank Assembly (RH Rear) (BEFORE 03/01/2019)

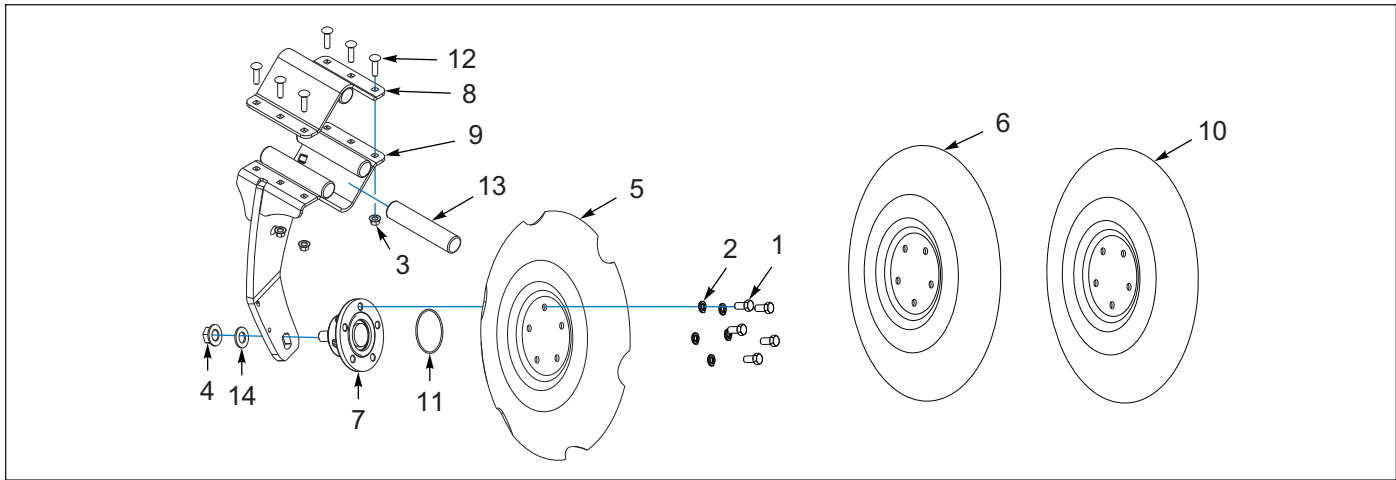


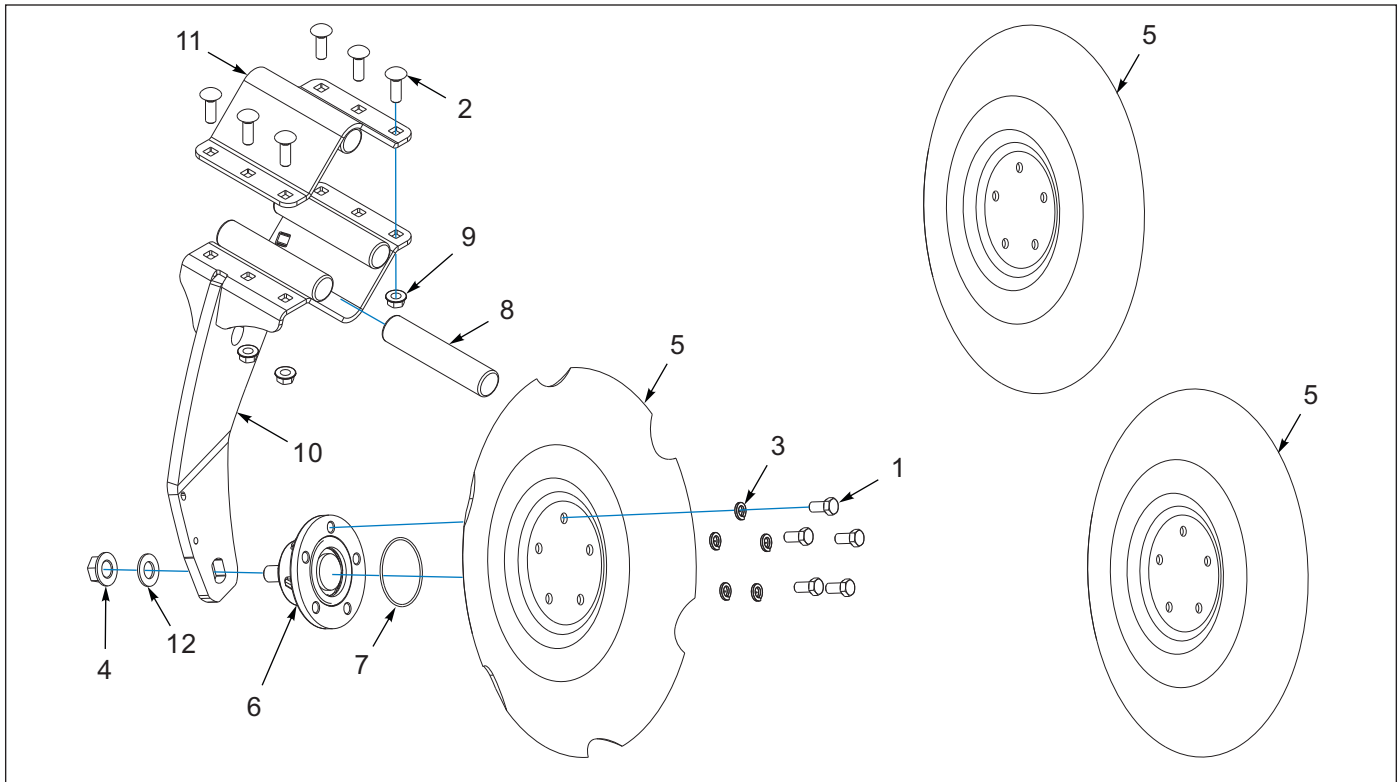
Figure 15-1: Compound Shank Assembly (RH Rear) (BEFORE 03/01/2019)

## Compound Shank Assembly (RH Rear) (BEFORE 03/01/2019)

ITEM	PART NUMBER	DESCRIPTION	QTY.
	195153	DISC-RH, COMP, NTCHD, ASSY (BEFORE 03/01/2018)	--
	201294	DISC-RH, COMP, SM, ASSY (BEFORE 03/01/2018)	--
	201298	DISC-RH, COMP, ROLL, ASSY (BEFORE 03/01/2018)	--
	209206	DISC-RH, COMP, NTCHD, ASSY (03/01/18 - 03/01/19)	--
	209208	DISC-RH, COMP, SM, ASSY (03/01/18 - 03/01/19)	--
	209212	DISC-RH, COMP, ROLL, ASSY (03/01/18 - 03/01/19)	--
1	1-654-010059-02	SCREW,HEX CAP,5/8-11X1-1/4GR5	5
2	1-861-010034-15	WASHER,LKG,HLCL SPR,5/8	5
3	172509	NUT, FLG HD TOP LCK F1/2-13 (BEFORE 03/01/2018)	6
3	209393	NUT, 1/2-20, LG FLNG HD TOP LOCK (AFTER 03/01/2018)	6
4	174732	NUT, FLG HD, TOPLOCK, 1-8 UNC	1
5	175284	DISC BLADE RH 24X1/4 DIR NTCHD	1
6	175329	BLADE HSD 24 SM	1
7	210880	HUB ASSY HSL DISC (INCLUDES 4, 11, 14) (SEE PAGE 14-7)	1
8	186979	CAP SHANK MOUNT	1
9	195151	SHANK-DISC, COMPND, RH WLDMNT	1
9	209204	SHANK-COMP, RH,17-20P, WLDMNT	1
10	198785	BLADE-HSL.SMOOTH.24X1/4, ROLLBL	1
11	202843	O-RING, 4 ID X 1/8 BUNA	1
12	203392	SCREW, RDH, SQ NK, 3/4-13X2 GR8 (BEFORE 03/01/2018)	6
12	209392	SCREW-RDH, SQ NK,1/2-20X2,GR8 (AFTER 03/01/2018)	6
13	203525	SPRING-TORSION, RUBBER, 1-3/4	4
14	622-3511-010	WASHER, FLAT 1 MIL-CARB SAE	1
15	1-512-010005-05	NUT, HEX SLFLKG, 3/8-16 UNC, GRB (NOT SHOWN)	2
16	195009	SCREW, RDHD 3/8-16 X 1-1/2, GR5 (NOT SHOWN)	2
17	195163	SCRAPER, CMPND, REAR HSL (BEFORE 03/01/2018) (NOT SHOWN)	1
17	195164	SCRAPER, CMPND, REAR HSL (AFTER 03/01/2018) (NOT SHOWN)	1
18	-----	ITEMS 15-18 (COMPOUND ANGLE SHANK OPTIONAL SCRAPER)	--



**Compound Shank Assembly (RH Rear) (AFTER 03/01/2019)**



**Figure 15-2: Compound Shank Assembly (RH Rear) (AFTER 03/01/2019)**

**Compound Shank Assembly (RH Rear) (AFTER 03/01/2019)**

ITEM	PART NUMBER	DESCRIPTION	QTY.
	217292	DISC-RH,COMP17-20,NOTCHD ASSY	--
	217294	DISC-RH,COMP17-20,SMOOTH ASSY	--
	217296	DISC-RH,COMP17-20, ROLL ASSY	--
1	1-654-010059-02	SCREW,HEX CAP,5/8-11X1-1/4GR5	5
2	1-654-010126-05	SCREW,RD HD,SQNCK,5/8-11X2 G5	6
3	1-861-010034-15	WASHER,LKG,HLCL SPR,5/8	5
4	174732	NUT, FLG HD, TOPLOCK, 1-8 UNC	1
5	175284	DISC BLADE RH 24X1/4 DIR NOTCH ( <b>NOTCHED</b> )	1
5	175329	BLADE HSD 24 NO NOTCH ( <b>SMOOTH</b> )	1
5	198785	BLADE-HSL,SMOOTH,24X1/4,ROLLBL ( <b>ROLLABLE</b> )	1
6	185742	HUB ASSY HSL DISC ( <b>INCLUDES ITEMS 4, 7, 12</b> ) <b>(FOR REPLACEMENT PARTS - 210880) (SEE PAGE 14-7)</b>	1
7	202843	O-RING, 4" ID X 1/8" BUNA	1
8	203525	SPRING-TORSION, RUBBER, 1-3/4	4
9	218739	NUT,HD FLNG HEX,5/8-11 UNC,GR5	6
10	219986	SHANK-COMP, RH, 1720P, WLDMT	1
11	221066	CAP-SHANK MOUNT	1
12	622-3511-010	WASHER, FLAT 1" MIL-CARB SAE	1
13	-----	SCRPR-REAR ONLY ( <b>SEE PAGE 16-1</b> ) <b>(OPTIONAL) (NOT SHOWN) (ITEMS 14-16)</b>	--
14	1-512-010005-05	NUT, HEX SLFLKG, 3/8-16 UNC, GRB ( <b>NOT SHOWN</b> )	--
15	195009	SCREW, RDHD 3/8-16 X 1-1/2, GR5 ( <b>NOT SHOWN</b> )	--
16	195164	SCRAPER-REAR RH, HSL ( <b>NOT SHOWN</b> )	--

# Compound Shank Assembly 22" (RH)

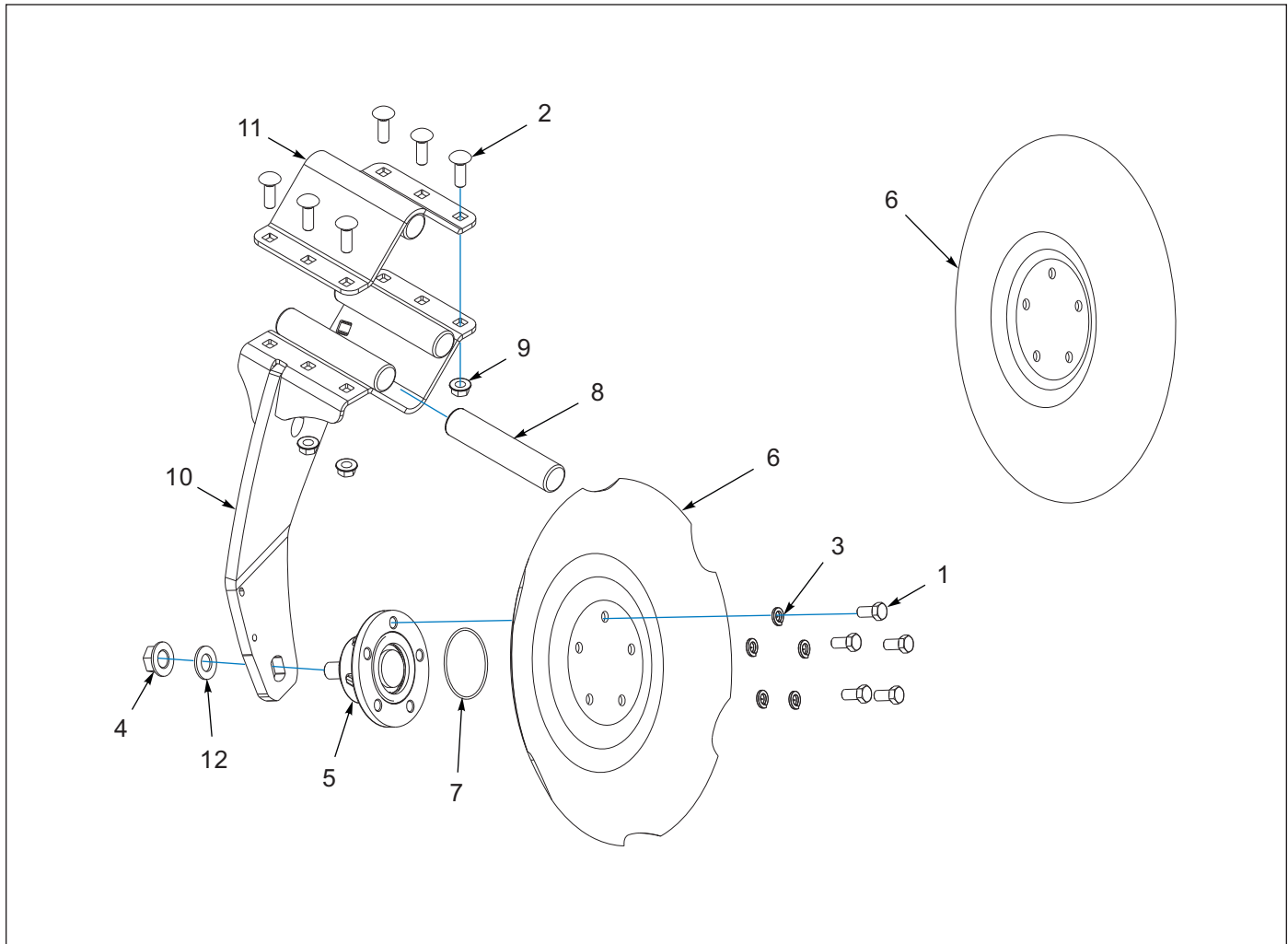
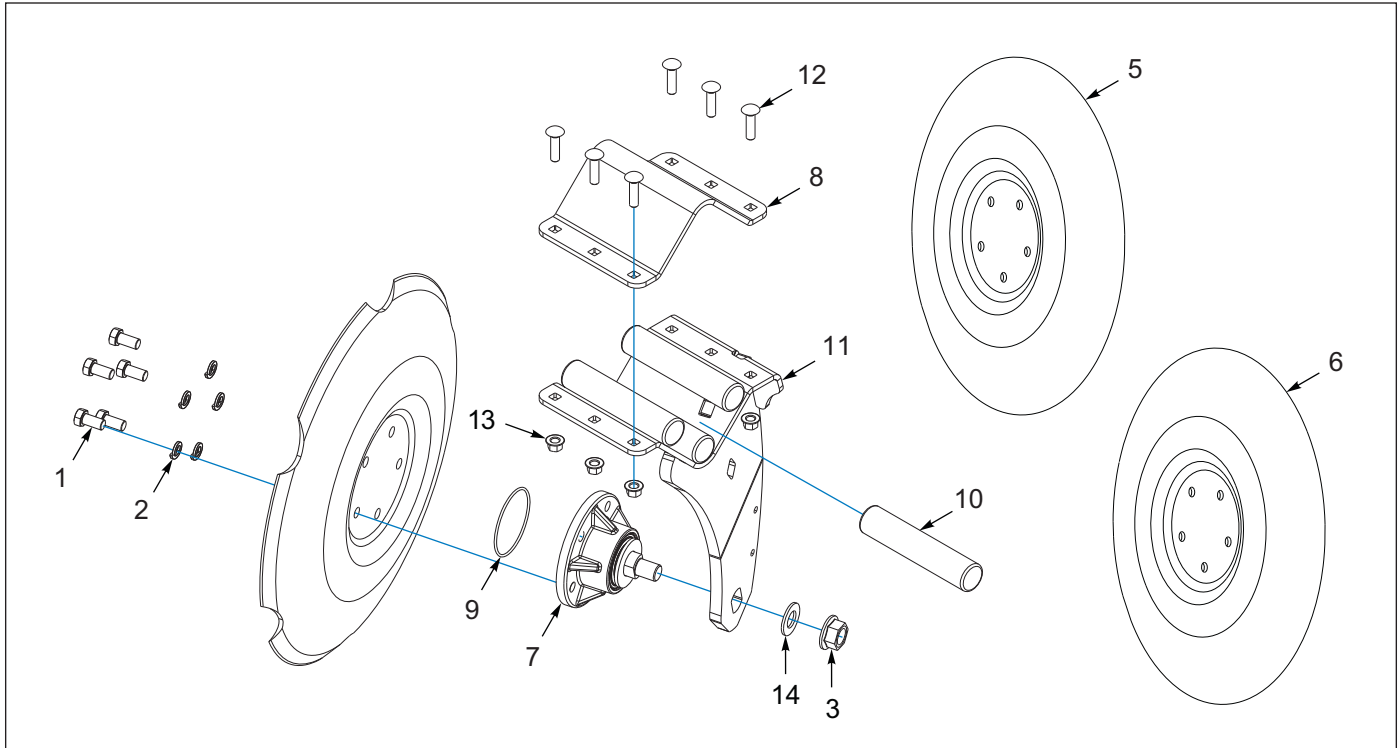


Figure 15-3: Compound Shank Assembly 22" (RH)

## Compound Shank Assembly 22" (RH)

ITEM	PART NUMBER	DESCRIPTION	QTY.
	217297	DISC ASSY NTCHD 22 RH CMP17-20 ( <b>NOTCHED</b> )	--
	217298	DISC ASSY SMOOTH 22RH CMP17-20 ( <b>SMOOTH</b> )	--
1	1-654-010059-02	SCREW,HEX CAP,5/8-11X1-1/4GR5	5
2	1-654-010126-05	SCREW,RD HD,SQNCK,5/8-11X2 G5	6
3	1-861-010034-15	WASHER,LKG,HLCL SPR,5/8	5
4	174732	NUT, FLG HD, TOPLOCK, 1-8 UNC	1
5	185742	HUB ASSY HSL DISC ( <b>INCLUDES ITEMS 4, 7, 12</b> ) <b>(FOR REPLACEMENT PARTS - 210880) (SEE PAGE 14-7)</b>	1
6	186562	DISC BLADE,RH 22X1/4 DIR NOTCH ( <b>NOTCHED</b> )	1
6	201243	DISC-BLADE, 22 INCH, SMOOTH ( <b>SMOOTH</b> )	1
7	202843	O-RING, 4" ID X 1/8" BUNA	1
8	203525	SPRING-TORSION, RUBBER, 1-3/4	4
9	218739	NUT,HD FLNG HEX,5/8-11 UNC,GR5	6
10	219986	SHANK-COMP, RH, 1720P, WLDMT	1
11	221066	CAP-SHANK MOUNT	1
12	622-3511-010	WASHER, FLAT 1" MIL-CARB SAE	1

**Vertical Shank Assembly (RH Rear) (BEFORE 03/01/2019)**



**Figure 15-4: Vertical Shank Assembly (RH Rear) (BEFORE 03/01/2019)**

**Vertical Shank Assembly (RH Rear) (BEFORE 03/01/2019)**

ITEM	PART NUMBER	DESCRIPTION	QTY.
	195132	DISC-RH, VERT, NTCHD, ASSY (BEFORE 03/01/2018)	--
	201296	DISC-RH, VERT, SM, ASSY (BEFORE 03/01/2018)	--
	201300	DISC-RH, VERT, ROLL, ASSY (BEFORE 03/01/2018)	--
	207509	DISC-RH, VERT, NTCHD, ASSY (03/01/18 - 03/01/19)	--
	212230	DISC-RH, VERT, SM, ASSY (03/01/18 - 03/01/19)	--
	212232	DISC-RH, VERT, ROLL, ASSY (03/01/18 - 03/01/19)	--
1	1-654-010059-02	SCREW, HEX CAP, 5/8-11X1-1/4GR5	5
2	1-861-010034-15	WASHER, LKG, HLCL SPR, 5/8	5
3	174732	NUT, FLG HD, TOPLOCK, 1-8 UNC	1
4	175284	DISC BLADE RH 24X1/4 DIR NTCHD (NOTCHED)	1
5	175329	BLADE HSD 24 NO NTCHD (SMOOTH)	1
6	198785	BLADE-HSL.SMOOTH.24X1/4, ROLLBL (ROLLABLE)	1
7	210880	HUB ASSY HSL DISC (INCLUDES 3, 9, 14) (SEE PAGE 14-7)	1
8	186979	CAP SHANK MOUNT	1
9	202843	O-RING, 4" ID X 1/8" BUNA	1
10	203525	SPRING-TORSION, RUBBER, 1-3/4	4
11	207507	SHANK-VERT, RH, 17P, WLDMT	1
12	209392	SCREW-RDH, SQ NK, 1/2-20X2, GR8	6
13	209393	NUT, 1/2-20, LG FLNG HD TOP LOCK	6
14	622-3511-010	WASHER, FLAT 1IN MIL-CARB SAE	1
15	1-512-010005-05	NUT, HEX SLFLKG, 3/8-16 UNC, GRB (NOT SHOWN)	2
16	195009	SCREW, RDHD 3/8-16 X 1-1/2, GR5 (NOT SHOWN)	2
17	195164	SCRAPER-VERTICAL, REAR HSL (NOT SHOWN)	1
18	-----	ITEMS 15-17 (OPTIONAL SCRAPER FOR VERTICAL SHANK)	--

## Vertical Shank Assembly (RH Rear) (AFTER 03/01/19)

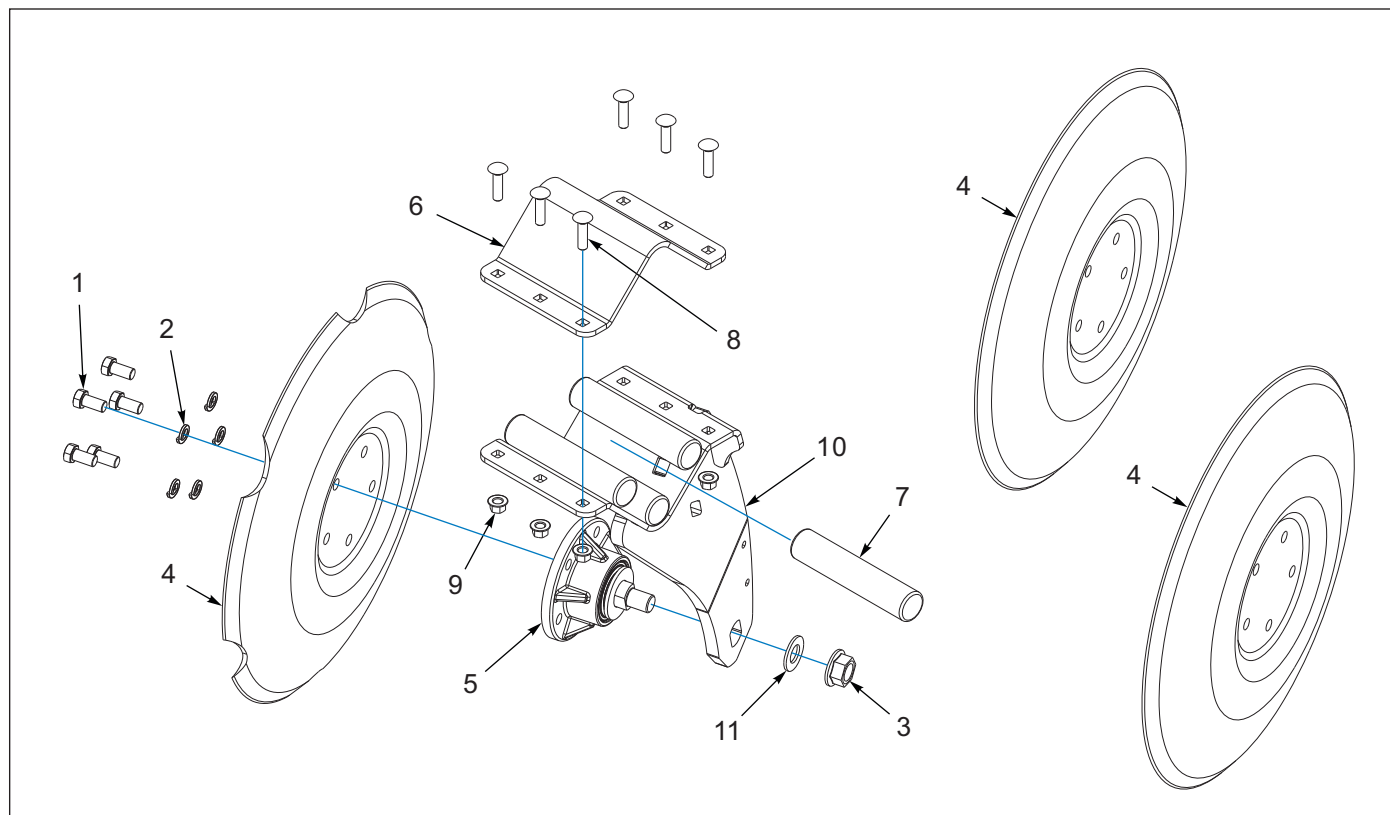


Figure 15-5: Vertical Shank Assembly (RH Rear) (AFTER 03/01/19)

## Vertical Shank Assembly (RH Rear) (AFTER 03/01/19)

ITEM	PART NUMBER	DESCRIPTION	QTY.
	217306	DISC-RH, VERT,17P, NOTCHD, ASM ( <b>NOTCHED</b> )	--
	217308	DISC-RH, VERT,17P, SMOOTH, ASM ( <b>SMOOTH</b> )	--
	217310	DISC-RH, VERT,17P, ROLL, ASM ( <b>ROLLABLE</b> )	--
1	1-654-010059-02	SCREW,HEX CAP,5/8-11X1-1/4GR5	5
2	1-861-010034-15	WASHER,LKG,HLCL SPR,5/8	5
3	174732	NUT, FLG HD, TOPLOCK, 1-8 UNC	1
4	175284	DISC BLADE RH 24X1/4 DIR NOTCH ( <b>NOTCHED</b> )	1
4	175329	BLADE HSD 24 NO NOTCH ( <b>SMOOTH</b> )	1
4	198785	BLADE-HSL,SMOOTH,24X1/4,ROLLBL ( <b>ROLLABLE</b> )	1
5	185742	HUB ASSY HSL DISC ( <b>INCLUDES ITEMS 3, 11</b> ) ( <b>FOR REPLACEMENT PARTS - 210880</b> ) (SEE PAGE 14-7)	1
6	186979	CAP SHANK MOUNT	1
7	203525	SPRING-TORSION, RUBBER, 1-3/4	4
8	209392	SCREW-RDH, SQ NK,1/2-20X2,GR8	6
9	209393	NUT,1/2-20,LG FLNG HD TOP LOCK	6
10	217284	SHANK, VERT, RH, 17P, WLDMT	1
11	622-3511-010	WASHER, FLAT 1" MIL-CARB SAE	1
12	-----	SCRPR-REAR ONLY ( <b>SEE PAGE 16-1</b> ) ( <b>ITEMS 14-16</b> ) ( <b>OPTIONAL</b> ) ( <b>NOT SHOWN</b> )	--
13	1-512-010005-05	NUT, HEX SLFLKG, 3/8-16 UNC, GRB ( <b>NOT SHOWN</b> )	--
14	195009	SCREW, RDHD 3/8-16 X 1-1/2, GR5 ( <b>NOT SHOWN</b> )	--
15	195164	SCRAPER-REAR RH, HSL ( <b>NOT SHOWN</b> )	--

## Vertical Shank Assembly 22" (RH)

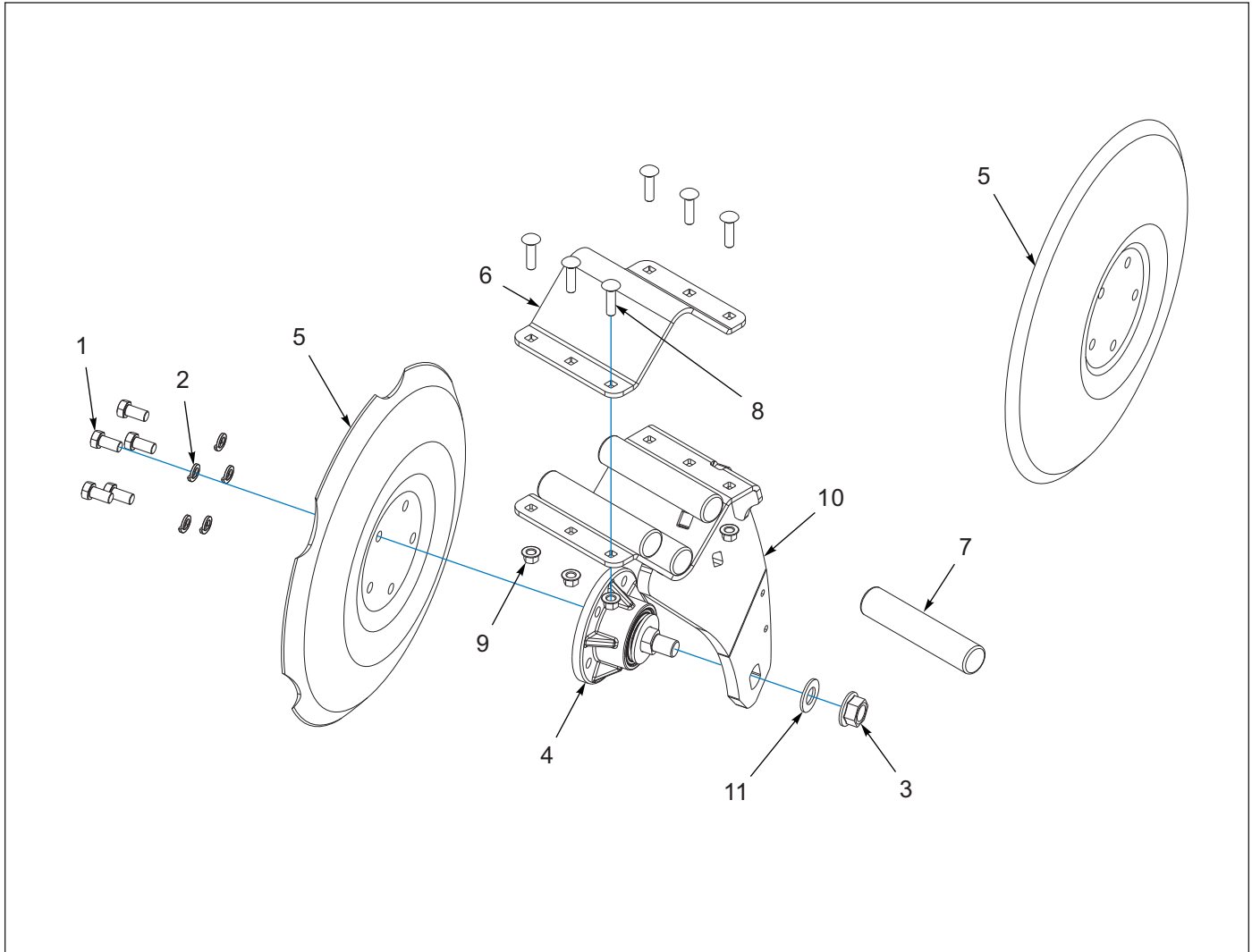


Figure 15-6: Vertical Shank Assembly 22" (RH)

## Vertical Shank Assembly 22" (RH)

ITEM	PART NUMBER	DESCRIPTION	QTY.
	217311	DISC ASSY NTCHD 22RH VERT 17P <b>(NOTCHED)</b>	--
	217312	DISC ASSY SMOOTH 22RH VERT 17P <b>(SMOOTH)</b>	--
1	1-654-010059-02	SCREW,HEX CAP,5/8-11X1-1/4GR5	5
2	1-861-010034-15	WASHER,LKG,HLCL SPR,5/8	5
3	174732	NUT, FLG HD, TOPLOCK, 1-8 UNC	1
4	185742	HUB ASSY HSL DISC <b>(INCLUDES ITEMS 3, 9, 11)</b> <b>(FOR REPLACEMENT PARTS - 210880) (SEE PAGE 14-7)</b>	1
5	186562	DISC BLADE,RH 22X1/4 DIR NOTCH <b>(NOTCHED)</b>	1
5	201243	DISC-BLADE, 22 INCH, SMOOTH <b>(SMOOTH)</b>	1
6	186979	CAP SHANK MOUNT	1
7	203525	SPRING-TORSION, RUBBER, 1-3/4	4
8	209392	SCREW-RDH, SQ NK,1/2-20X2,GR8	6
9	209393	NUT,1/2-20,LG FLNG HD TOP LOCK	6
10	217284	SHANK, VERT, RH, 17P, WLDMT	1
11	622-3511-010	WASHER, FLAT 1" MIL-CARB SAE	1

### Hybrid Shank Assembly (RH Rear) (BEFORE 03/01/2019)

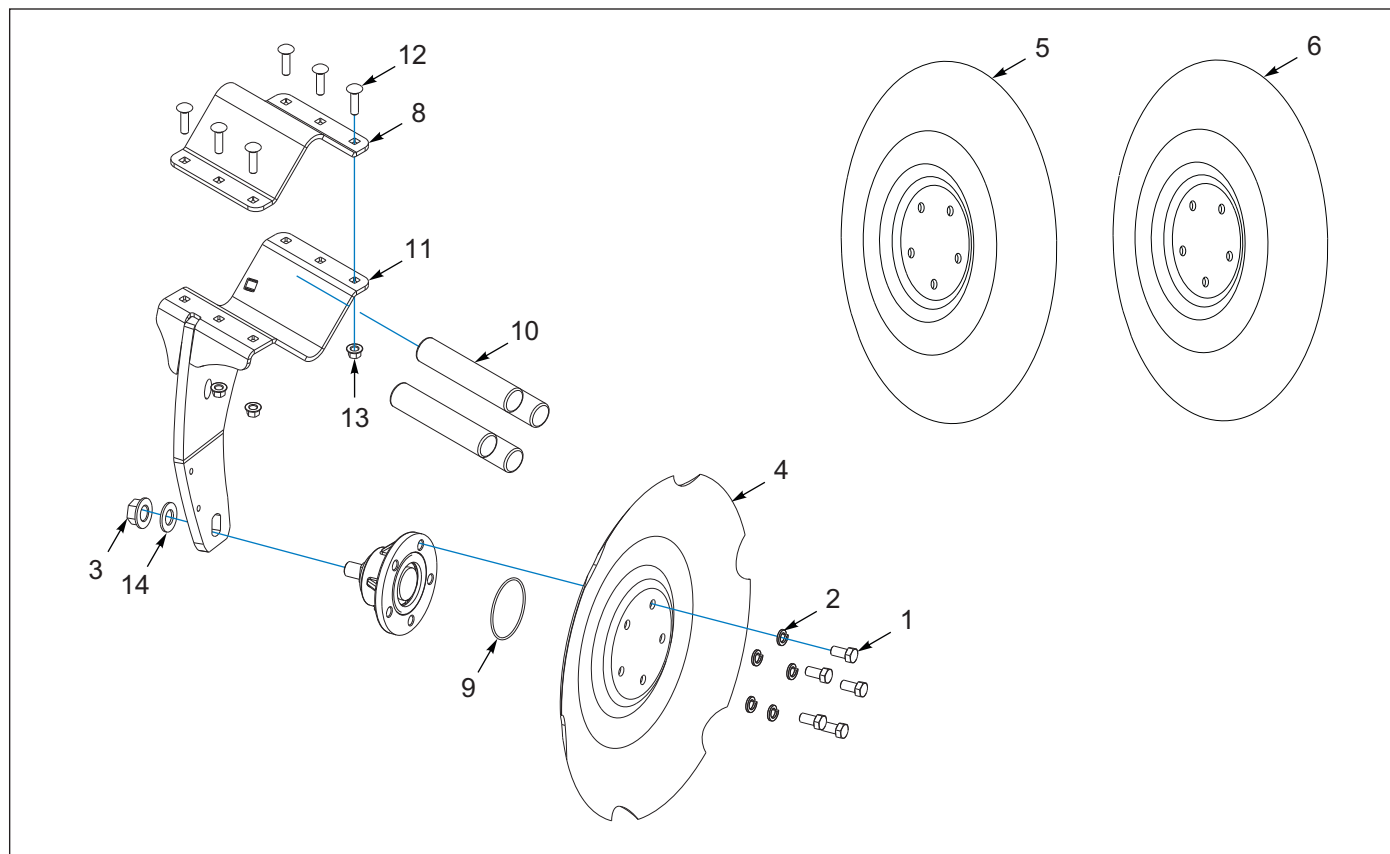
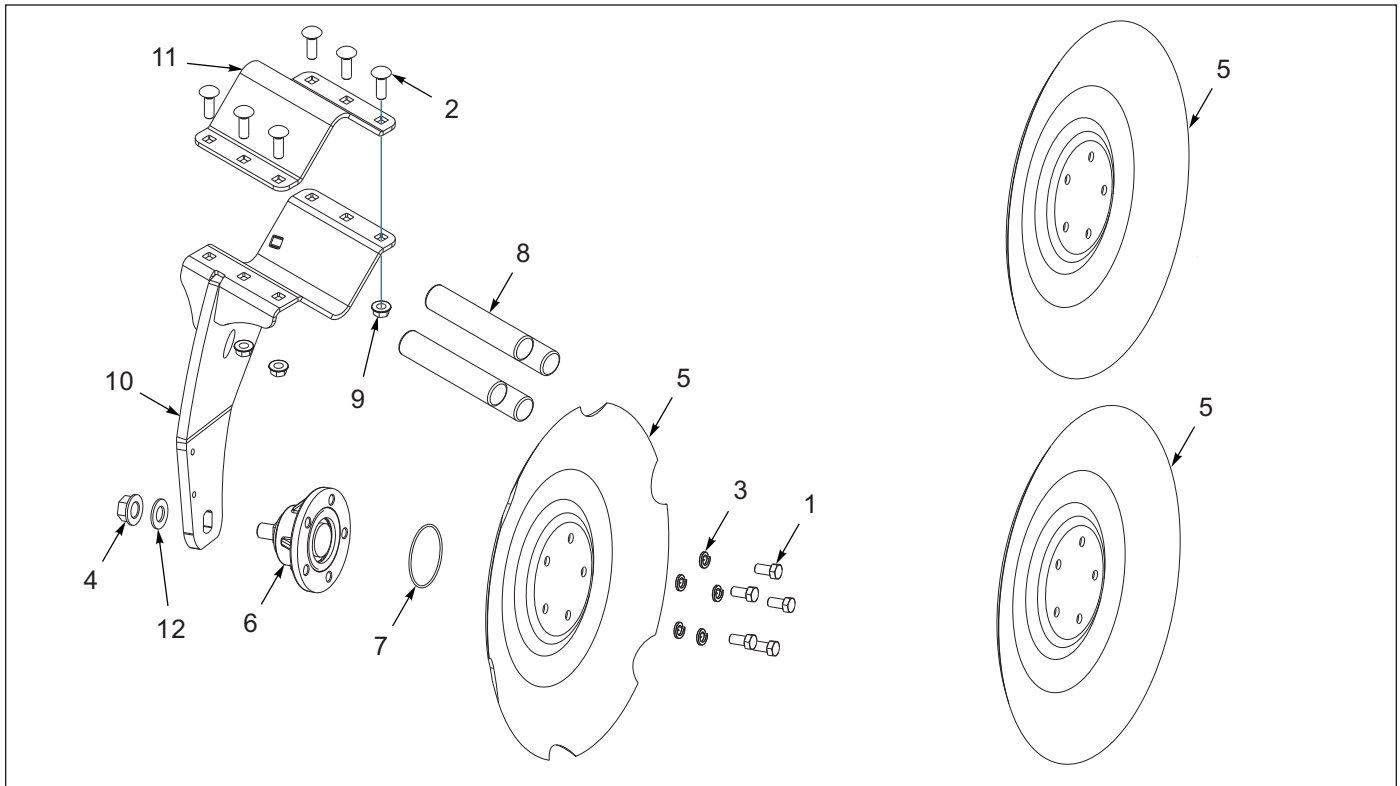


Figure 15-7: Hybrid Shank Assembly (RH Rear) (BEFORE 03/01/2019)

### Hybrid Shank Assembly (RH Rear) (BEFORE 03/01/2019)

ITEM	PART NUMBER	DESCRIPTION	QTY.
	207518	DISC-RH, HYBRD, NTCHD, ASSY (03/01/18 - 03/01/19)	--
	209210	DISC-RH, HYBRD, SM, ASSY (03/01/18 - 03/01/19)	--
	209214	DISC-RH, HYBRD, ROLL, ASSY (03/01/18 - 03/01/19)	--
1	1-654-010059-02	SCREW, HEX CAP, 5/8-11X1-1/4GR5	5
2	1-861-010034-15	WASHER, LKG, HLCL SPR, 5/8	5
3	174732	NUT, FLG HD, TOPLOCK, 1-8 UNC	1
4	175283	DISC BLADE LH 24X1/4 DIR NTCHD (NOTCHED)	1
5	175329	BLADE HSD 24 SM (SMOOTH)	1
6	198785	BLADE-HSL,SMOOTH,24X1/4,ROLLBL (ROLLABLE)	1
7	210880	HUB ASSY HSL DISC (INCLUDES 3, 9, 14) (SEE PAGE 14-7)	1
8	186979	CAP SHANK MOUNT	1
9	202843	O-RING, 4IN ID X 1/8IN BUNA	1
10	203525	SPRING-TORSION, RUBBER, 1-3/4	4
11	207515	SHANK, HYBRID, LH, WLDMENT	1
12	209392	SCREW, RDH, SQ NK, 1/2-20 GR8	6
13	209393	NUT, 1/2-20, LG FLNG HD TOP LOCK	6
14	622-3511-010	WASHER, FLAT 1IN MIL-CARB SAE	1
15	1-512-010005-05	NUT, HEX SLFLKG, 3/8-16 UNC, GRB (NOT SHOWN)	2
16	195009	SCREW, RDHD 3/8-16 X 1-1/2, GR5 (NOT SHOWN)	2
17	195164	SCRAPER-VERTICAL, REAR HSL (NOT SHOWN)	1
18	-----	ITEMS 15-17 (OPTIONAL SCRAPER FOR VERTICAL SHANK)	--

**Hybrid Shank Assembly (RH Rear) (AFTER 03/01/2019)**



**Figure 15-8: Hybrid Shank Assembly (RH Rear) (AFTER 03/01/2019)**

**Hybrid Shank Assembly (RH Rear) (AFTER 03/01/2019)**

ITEM	PART NUMBER	DESCRIPTION	QTY.
	217316	DISC,RH,HYBRID,17-7,NOTCHD ASM ( <b>NOTCHED</b> )	--
	217318	DISC,RH,HYBRID,17-7,SMOOTH ASM ( <b>SMOOTH</b> )	--
	217320	DISC,RH,HYBRID,17-7,ROLL ASM ( <b>ROLLABLE</b> )	--
1	1-654-010059-02	SCREW,HEX CAP,5/8-11X1-1/4GR5	5
2	1-654-010126-05	SCREW,RD HD, SQNCK,5/8-11X2 G5	6
3	1-861-010034-15	WASHER,LKG,HLCL SPR,5/8	5
4	174732	NUT, FLG HD, TOPLOCK, 1-8 UNC	1
5	175284	DISC BLADE RH 24X1/4 DIR NOTCH ( <b>NOTCHED</b> )	1
5	175329	BLADE HSD 24 NO NOTCH ( <b>SMOOTH</b> )	1
5	198785	BLADE-HSL,SMOOTH,24X1/4,ROLLBL ( <b>ROLLABLE</b> )	1
6	185742	HUB ASSY HSL DISC ( <b>INCLUDES ITEMS 3, 9, 11</b> ) <b>(FOR REPLACEMENT PARTS - 210880) (SEE PAGE 14-7)</b>	1
7	202843	O-RING, 4" ID X 1/8" BUNA	1
8	203525	SPRING-TORSION, RUBBER, 1-3/4	4
9	218739	NUT,HD FLNG HEX,5/8-11 UNC,GR5	6
10	221063	SHANK-HYBRID, RH, 17-7,WLDMT	4
11	221066	CAP-SHANK MOUNT	1
12	622-3511-010	WASHER, FLAT 1" MIL-CARB SAE	1
13	-----	SCRPR-REAR ONLY ( <b>SEE PAGE 16-1</b> ) <b>(ITEMS 14-16 (OPTIONAL) (NOT SHOWN)</b>	--
14	1-512-010005-05	NUT, HEX SLFLKG, 3/8-16 UNC, GRB ( <b>NOT SHOWN</b> )	--
15	195009	SCREW, RDHD 3/8-16 X 1-1/2, GR5 ( <b>NOT SHOWN</b> )	--
16	195164	SCRAPER-REAR RH, HSL ( <b>NOT SHOWN</b> )	--



### Hybrid Shank Assembly, 22" (RH)

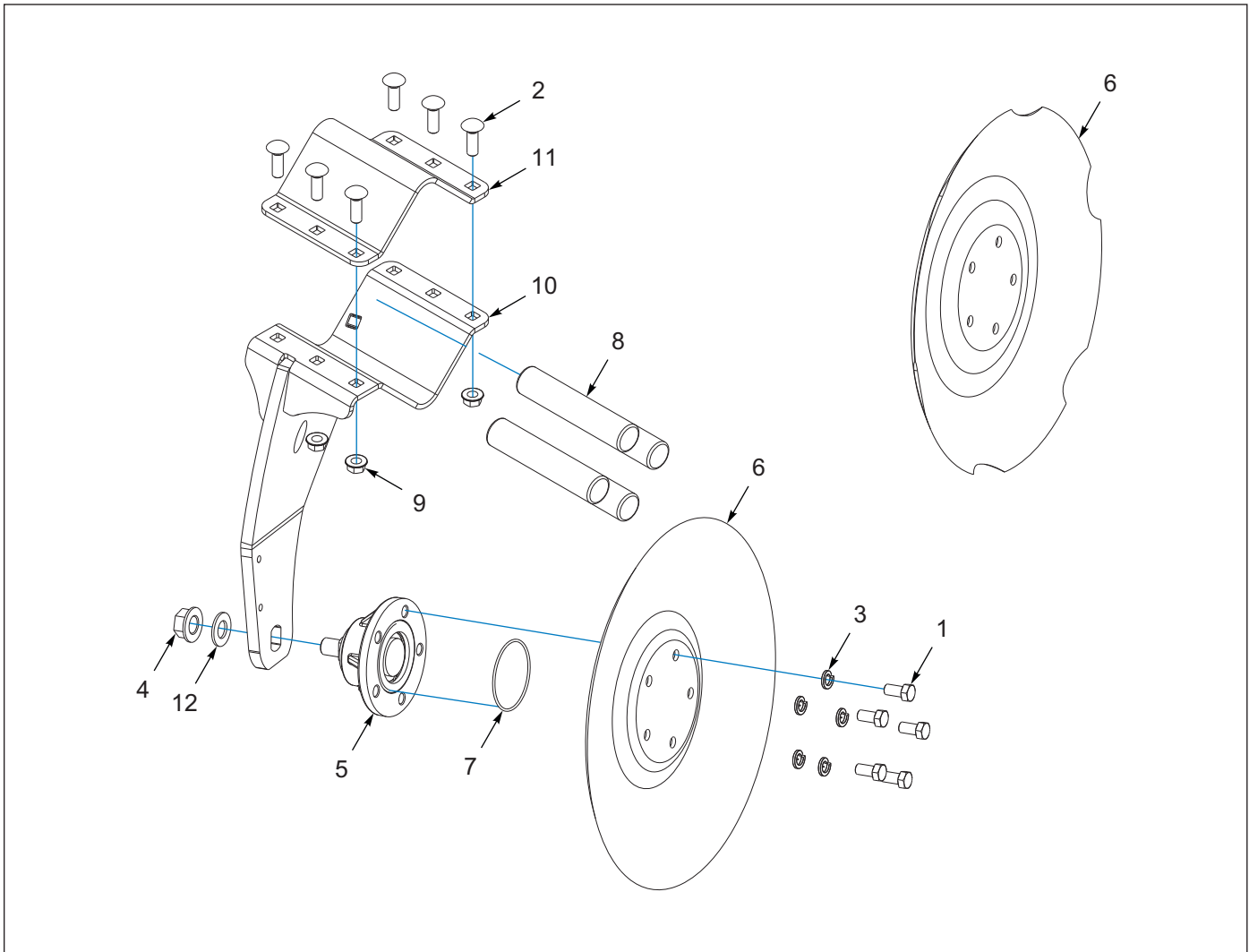


Figure 15-9: Hybrid Shank Assembly, 22" (RH)

### Hybrid Shank Assembly, 22" (RH)

ITEM	PART NUMBER	DESCRIPTION	QTY.
	217321	DISC,NTCHD22RH HYBRID 17-7 ASM <b>(NOTCHED)</b>	--
	217322	DISC ASMSMOOTH22RH HYBRID17--7 <b>(SMOOTH)</b>	--
1	1-654-010059-02	SCREW,HEX CAP,5/8-11X1-1/4GR5	5
2	1-654-010126-05	SCREW,RD HD,SQNK,5/8-11X2 G5	6
3	1-861-010034-15	WASHER,LKG,HLCL SPR,5/8	5
4	174732	NUT, FLG HD, TOPLOCK, 1-8 UNC	1
5	210880	HUB ASSY HSL DISC <b>(INCLUDES 4, 7, 12) (SEE PAGE 14-7)</b>	1
6	186562	DISC BLADE,RH 22X1/4 DIR NOTCH <b>(NOTCHED)</b>	1
6	201243	DISC-BLADE, 22 INCH, SMOOTH <b>(SMOOTH)</b>	1
7	202843	O-RING, 4" ID X 1/8" BUNA	1
8	203525	SPRING-TORSION, RUBBER, 1-3/4	4
9	218739	NUT,HD FLNG HEX,5/8-11 UNC,GR5	6
10	221063	SHANK-HYBRID, RH, 17-7,WLDMT	1
11	221066	CAP-SHANK MOUNT	1
12	622-3511-010	WASHER, FLAT 1" MIL-CARB SAE	1



# Scraper and Blade Assembly

## Scraper and Blade Assembly

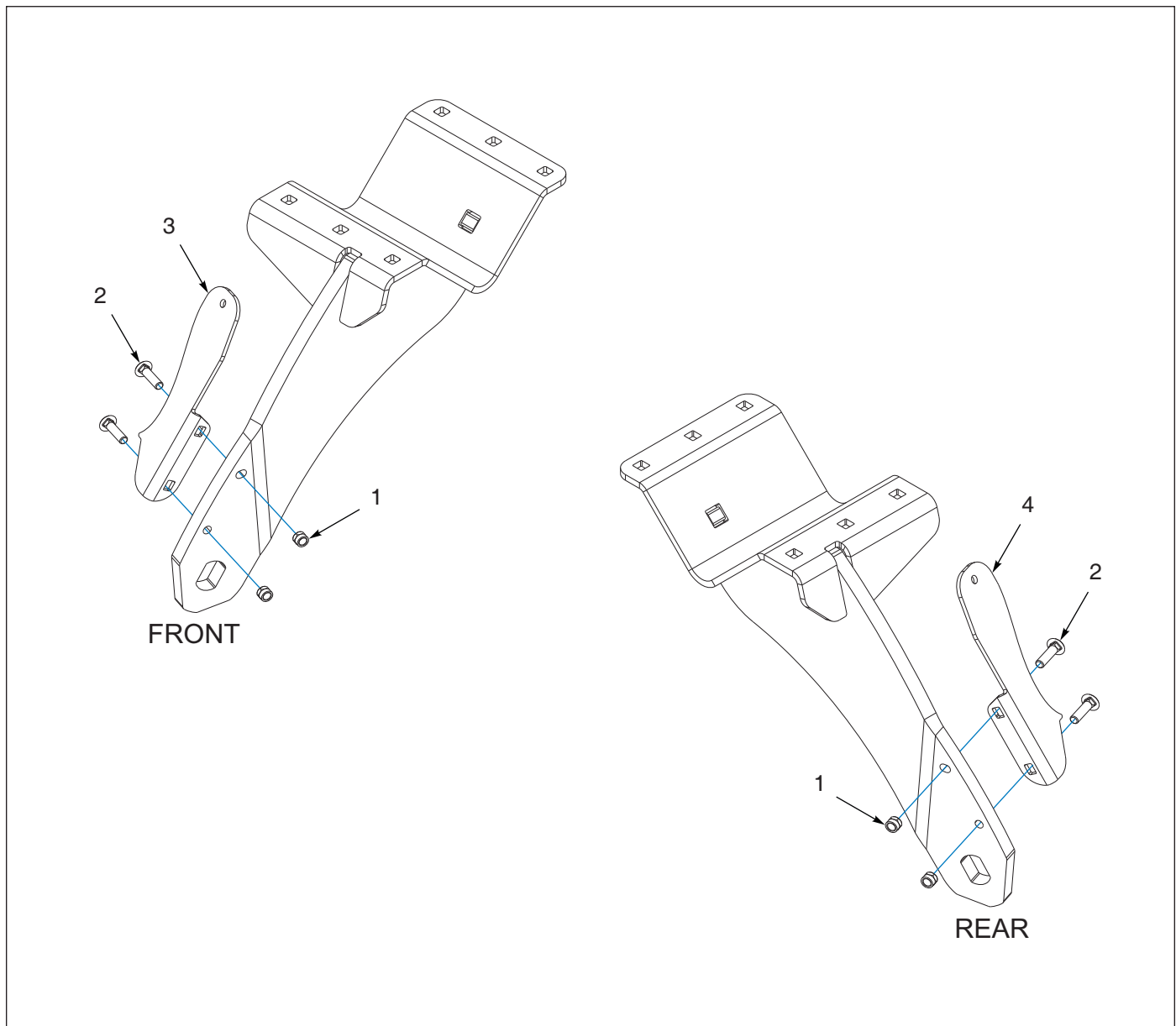


Figure 16-1: Scraper and Blade Assembly

## Scraper and Blade Assembly

ITEM	PART NUMBER	DESCRIPTION	QTY.
1	1-512-010005-05	NUT, HEX, SLFLKG GRB 3/8-16	2
2	195009	SCREW, RD HD 3/8-16X1-1/2 GR5	2
3	195162	SCRAPER COMPOUND FRONT HSL(BEFORE 03/01/2018)	1
3	195161	SCRAPER-FRONT LH, HSL (AFTER 03/01/2018)	1
4	195163	SCRAPER COMPOUND REAR HSL (BEFORE 03/01/2018)	1
4	195164	SCRAPER-REAR RH, HSL (AFTER 03/01/2018)	1



# Hydraulics

## Hitch Hydraulics Adapter Kit (BEFORE 03/01/2018)

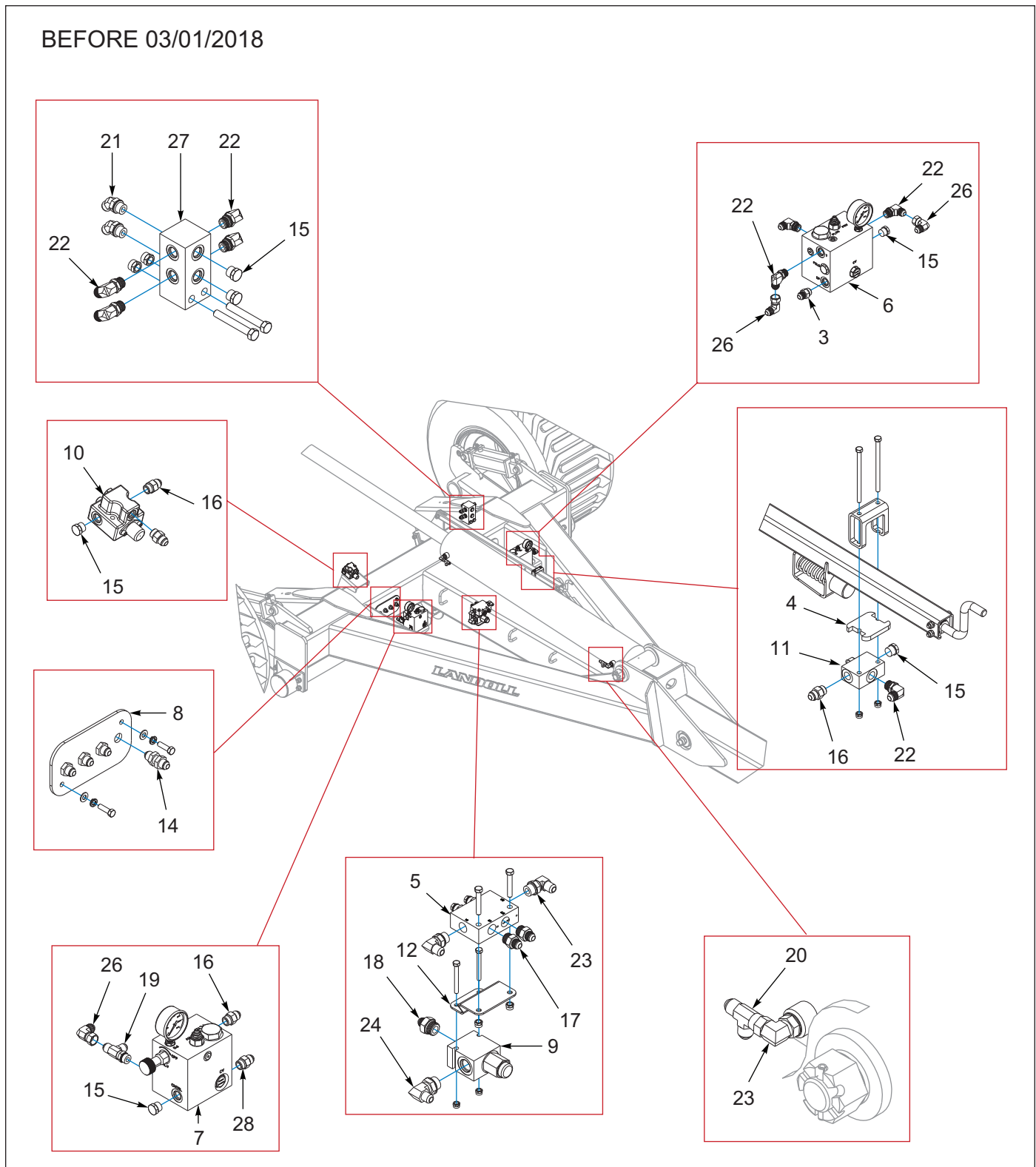


Figure 17-1: Hitch Hydraulic Adapter Kit (BEFORE 03/01/2018)

## Hitch Hydraulics Adapter Kit (BEFORE 03/01/2018)

ITEM	PART NUMBER	DESCRIPTION	QTY.
--	201221	KIT - HYDRAULIC ADAPTER, HITCH	--
1	143852	ADAPTER TEE, 10ORB, 10JIC	--
2	143853	PLUG, 10 M ORB HEX SOCKET	1
3	162671	CHECK VALVE W/ORIFICE (NOT IN KIT)	--
4	165257	PAD, SLIDE (NOT IN KIT)	--
5	184585	VALVE, DUAL COUNTER BALANCE, 30G (NOT IN KIT)	--
6	200743	MANIFOLD ASSY VALVE DOWN PRESS (NOT IN KIT)	--
7	201315	MANIFOLD ASSY DRAFT COMP(AFTER 08/12/2016) (NOT IN KIT)	--
7	203386	MANIFOLD ASSY DRAFT COMP (AFTER 09/15/2016) (NOT IN KIT)	--
8	203391	PLATE-BULKHEAD MOUNT (NOT IN KIT)	--
9	203447	VALVE CHECK, 225 PSI, ASM (NOT IN KIT)	--
10	203450	VALVE-LIMIT (NOT IN KIT)	--
11	140693	VALVE, LIMIT (BEFORE 03/01/2018) (NOT IN KIT)	--
11	203467	VALVE-LIMIT, STROKE (AFTER 03/01/2018) (NOT IN KIT)	--
12	203541	BRACKET-VALVE MOUNT (NOT IN KIT)	--
13	210765	PLATE-BULKHEAD BLANK (NOT IN KIT)	--
14	102-0322	37 FLARE BULKHEAD/37 FLARE	4
15	1-007-010025	PLUG, 3/4-16 O-RING BOSS	5
16	202702-8-8S	ADAPTER, 8,#O-RING, 8 TUBE	4
17	202702-10-8S	ADAPTER, 10,#O-RING, 8 TUBE	2
18	202702-12-8S	ADAPTER, 12,#O-RING, 8 TUBE (NOT IN KIT)	1
19	203005-8-8S	ADAPTER, TEE, 8,#O-RING TUBE	1
20	203102-8-8S	ADAPTER, TEE, 1/2 8 JICX, 8 JICSWV	1
21	2061-8-8S	ADAPTER, 45,#O-RING, 8 TUBE	2
22	2062-8-8S	ADAPTER, 90,#O-RING 8 TUBE	11
23	2062-10-8S	ADAPTER, 90,#O-RING, 10 TUBE	5
24	2062-12-8S	ADAPTER, 90,#O-RING, 12 TUBE	1
25	206209-8-8S	ADAPTER, 90 LONG, O-RING, 8 TUBE	--
26	2071-8-8S	ADAPTER, 90, 8 FLR SWIVEL, 8 JIC	3
27	2-474-010022	MANIFOLD ASSY, HYDR 6 HOSE	1
28	4K607	RESTRICTOR 3/4-16 (NOT IN KIT)	--

# Hitch Hydraulics Adapter Kit (AFTER 03/01/2018)

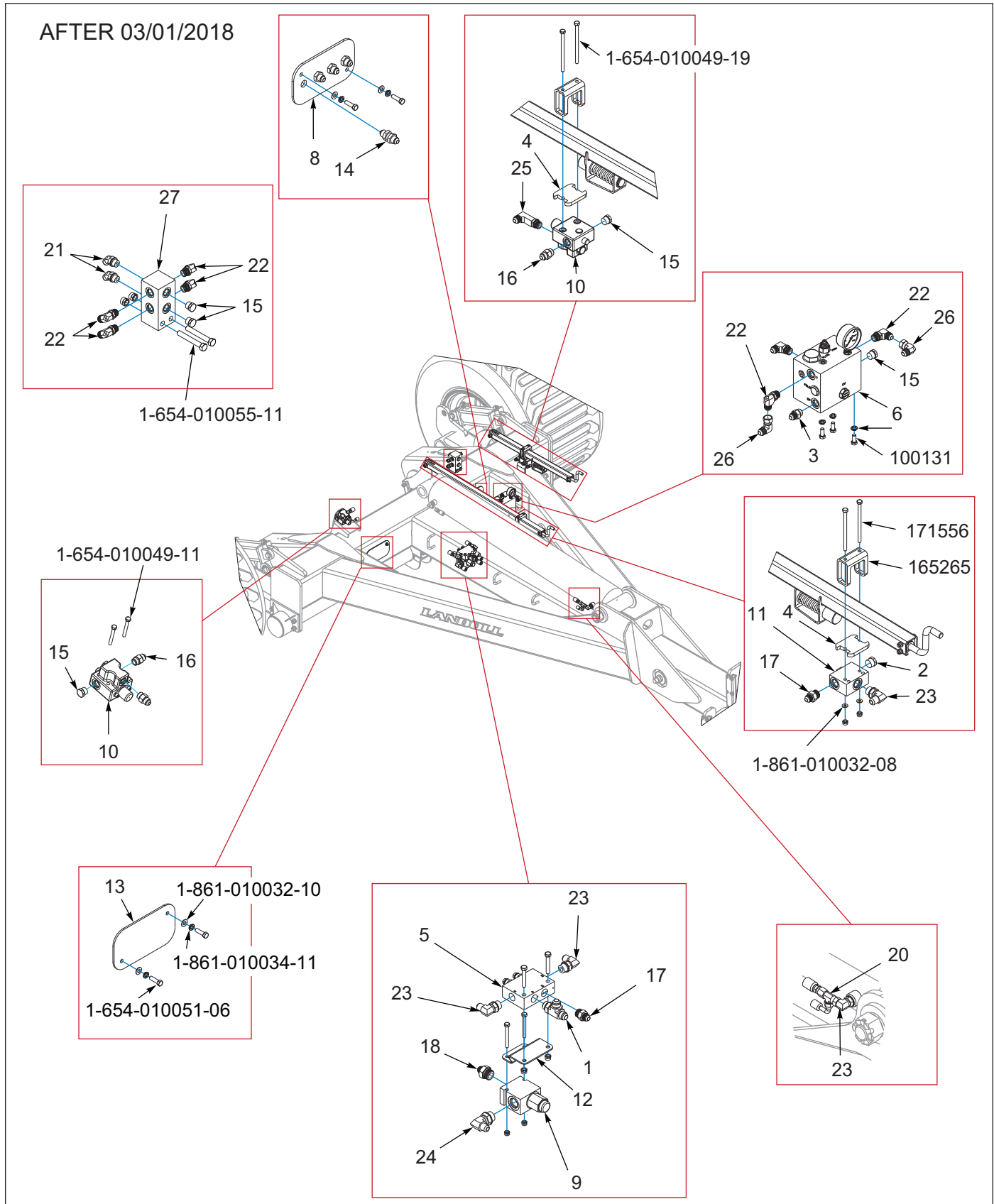


Figure 17-2: Hitch Hydraulic Adapter Kit (AFTER 03/01/2018)



## Hitch Hydraulics Adapter Kit (AFTER 03/01/2018)

ITEM	PART NUMBER	DESCRIPTION	QTY.
--	201221	KIT - HYDRAULIC ADAPTER, HITCH	--
1	143852	ADAPTER TEE, 10ORB, 10JIC	1
2	143853	PLUG, 10 M ORB HEX SOCKET	1
3	162671	CHECK VALVE W/ORIFICE (NOT IN KIT)	--
4	165257	PAD, SLIDE (NOT IN KIT)	--
5	184585	VALVE, DUAL COUNTER BALANCE, 30G (NOT IN KIT)	--
6	200743	MANIFOLD ASSY VALVE DOWN PRESS (NOT IN KIT)	--
7	201315	MANIFOLD ASSY DRAFT COMP (AFTER 08/12/2016) (NOT IN KIT)	--
7	203386	MANIFOLD ASSY DRAFT COMP (AFTER 09/15/2016) (NOT IN KIT)	--
8	203391	PLATE-BULKHEAD MOUNT (NOT IN KIT)	--
9	203447	VALVE CHECK, 225 PSI, ASM (NOT IN KIT)	--
10	203450	VALVE-LIMIT (NOT IN KIT)	--
11	140693	VALVE, LIMIT (BEFORE 03/01/2018) (NOT IN KIT)	--
11	203467	VALVE-LIMIT, STROKE (AFTER 03/01/2018) (NOT IN KIT)	--
12	203541	BRACKET-VALVE MOUNT (NOT IN KIT)	--
13	210765	PLATE-BULKHEAD BLANK (NOT IN KIT)	--
14	102-0322	37 FLARE BULKHEAD/37 FLARE	4
15	1-007-010025	PLUG, 3/4-16 O-RING BOSS	5
16	202702-8-8S	ADAPTER, 8,#O-RING, 8 TUBE	3
17	202702-10-8S	ADAPTER, 10,#O-RING, 8 TUBE	2
18	202702-12-8S	ADAPTER, 12,#O-RING, 8 TUBE (NOT IN KIT)	1
19	203005-8-8S	ADAPTER, TEE, 8,#O-RING TUBE	--
20	203102-8-8S	ADAPTER, TEE, 1/2 8 JICX, 8 JICSWV	1
21	2061-8-8S	ADAPTER, 45,#O-RING, 8 TUBE	2
22	2062-8-8S	ADAPTER, 90,#O-RING 8 TUBE	11
23	2062-10-8S	ADAPTER, 90,#O-RING, 10 TUBE	5
24	2062-12-8S	ADAPTER, 90,#O-RING, 12 TUBE	1
25	206209-8-8S	ADAPTER, 90 LONG, O-RING, 8 TUBE	1
26	2071-8-8S	ADAPTER, 90, 8 FLR SWIVEL, 8 JIC	2
27	2-474-010022	MANIFOLD ASSY, HYDR 6 HOSE	1
28	4K607	RESTRICTOR 3/4-16 (NOT IN KIT)	--

Center Section Hydraulic Kit (BEFORE 03/01/2018)

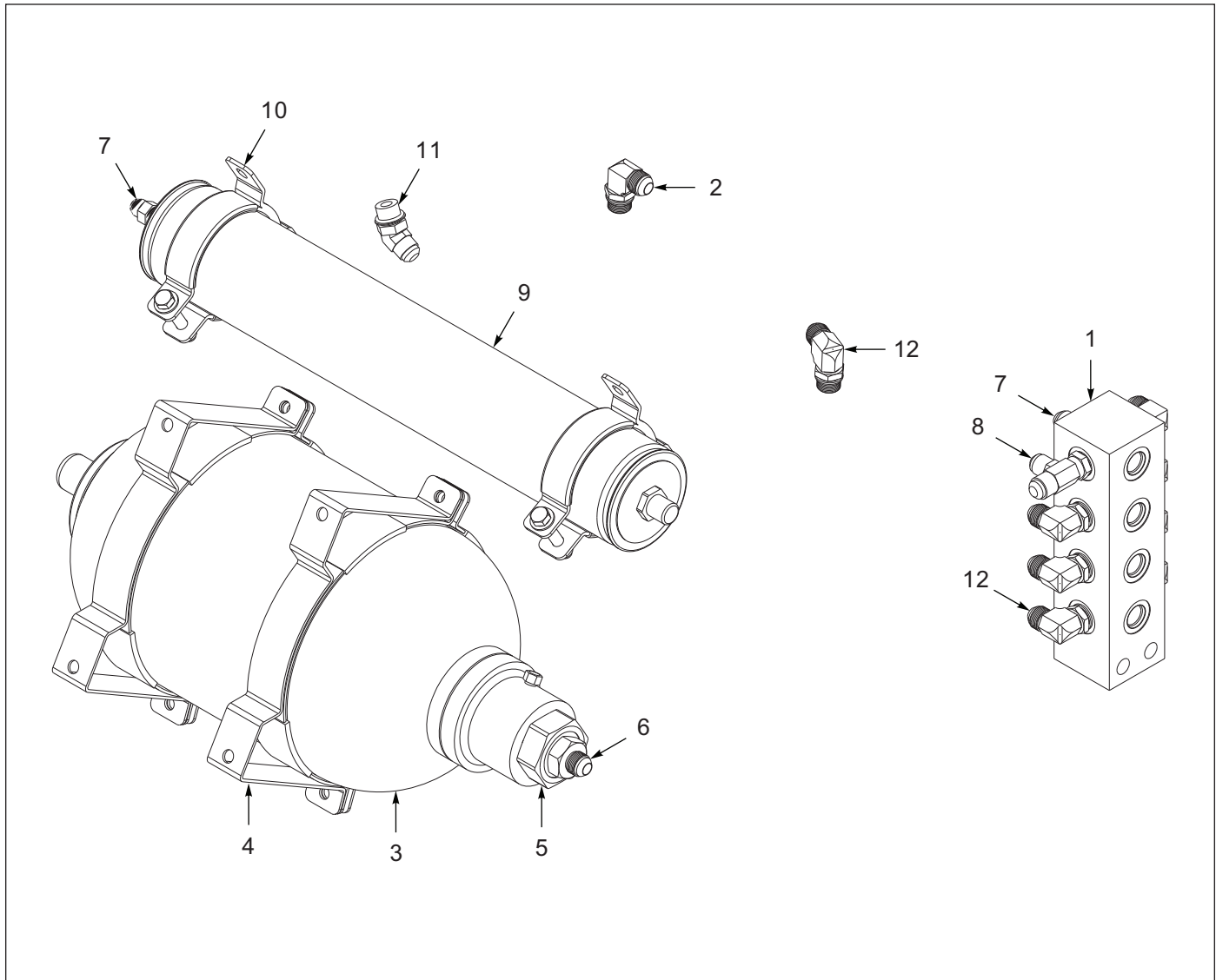


Figure 17-3: Center Section Hydraulic Kit (BEFORE 03/01/2018)

Center Section Hydraulic Kit (BEFORE 03/01/2018)

ITEM	PART NUMBER	DESCRIPTION	QTY.
	201227	KIT, HYDRAULIC CENTER SECTION	--
1	141594	MANIFOLD, HYDRAULIC 16 PORT	1
2	141826	ELBOW 90 1/16 RES WING DOWN CYLINDER ROD END	1
3	201284	ACCUMULATOR BLADR, 10 L, 3000 PSI	1
4	201321	BRACKET, MOUNTING, ACCUMULATOR	2
5	201331	ADAPTER, O-RING REDUCER, -24 X-12	1
6	202702-12-8S	ADAPTER, 12 O-RING, 8 TUBE	1
7	202702-8-8S	ADAPTER, 8 O-RING - 8 TUBE	5
8	203005-8-8S	ADAPTER, TEE, 8 O-RING-TUBE	1
9	203429	ACCUMULATOR PISTON, 122 CI	1
10	203430	BRACKET, MOUNTING, ACCMLTR, 3 IN	2
11	2061-8-8S	ADAPTER, 45, 8 O-RING-TUBE	1
12	2062-8-8S	ADAPTER, 90, 8 O-RING-TUBE	8

## Center Section Hydraulic Kit (AFTER 03/01/2018)

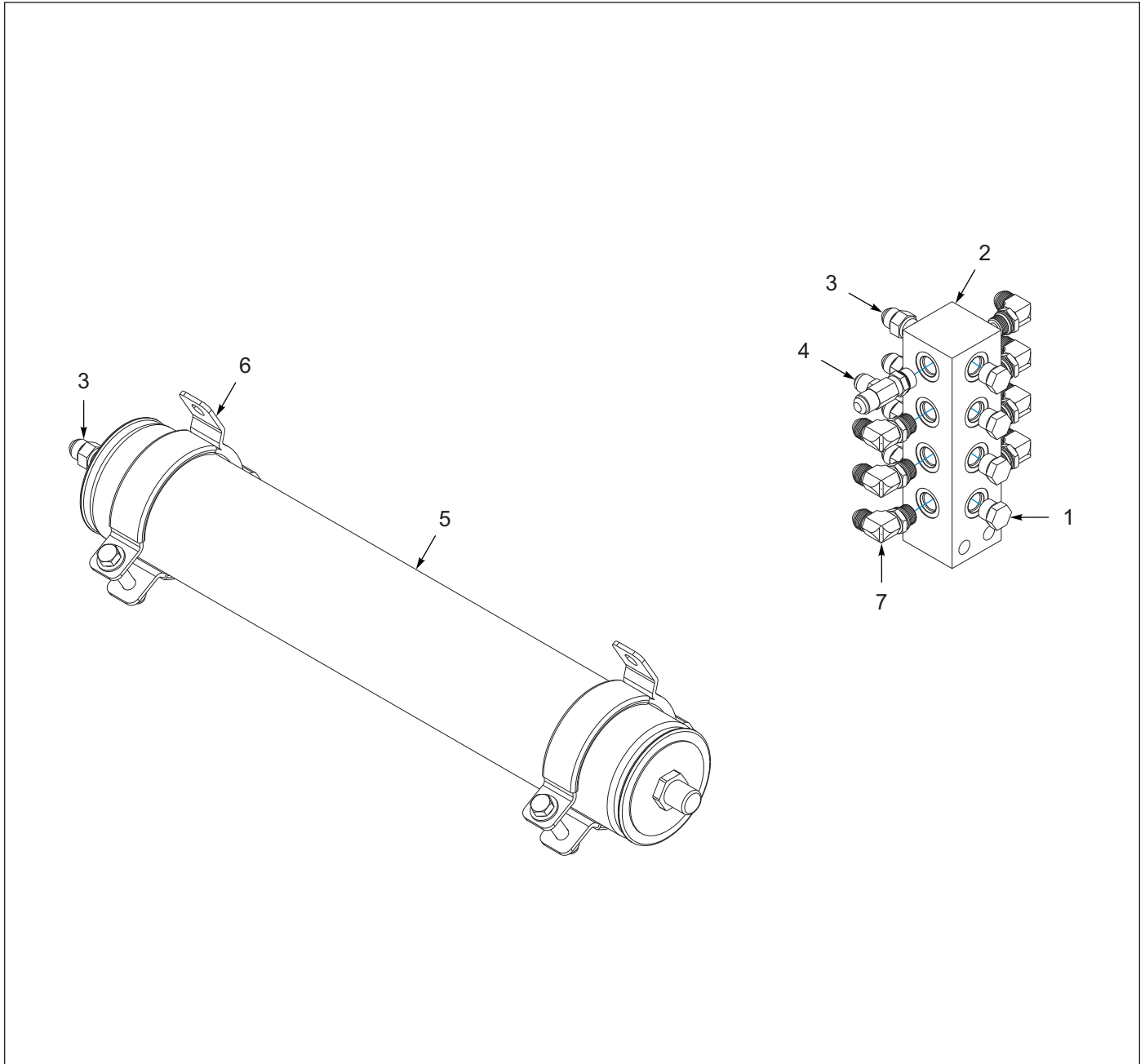


Figure 17-4: Center Section Hydraulic Kit (AFTER 03/01/2018)

## Center Section Hydraulic Kit (AFTER 03/01/2018)

ITEM	PART NUMBER	DESCRIPTION	QTY.
	201227	KIT, HYDRAULIC CENTER SECTION	--
1	1-007-010025	PLUG, 3/4-12 O-RING BOSS	4
2	141594	MAIFOLD HYDRAULIC 16 PORT	1
3	202702-8-8S	ADAPTER, 8 O-RING - 8 TUBE	5
4	203005-8-8S	ADAPTER, TEE, 8 O-RING-TUBE	1
5	203429	ACCUMULATOR PISTON, 122 CI	1
6	203430	BRACKET, MOUNTING, ACCMLTR, 3 IN	2
7	2062-8-8S	ADAPTER, 90, 8 O-RING-TUBE	7

25' Hydraulic Diagram (BEFORE 03/01/2018)

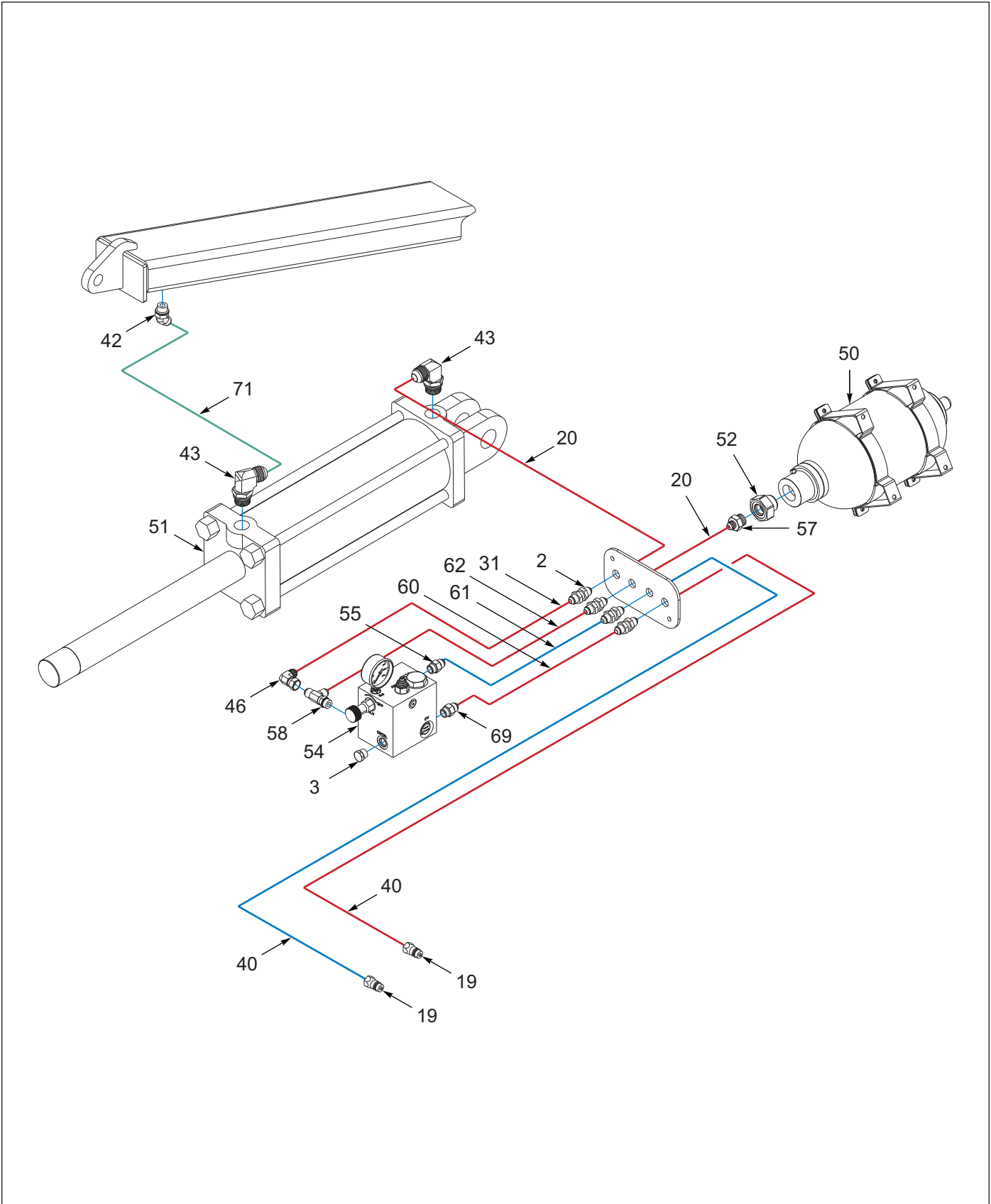


Figure 17-5: 25' Draft Compensator Diagram (BEFORE 03/01/2018) (1 of 4)





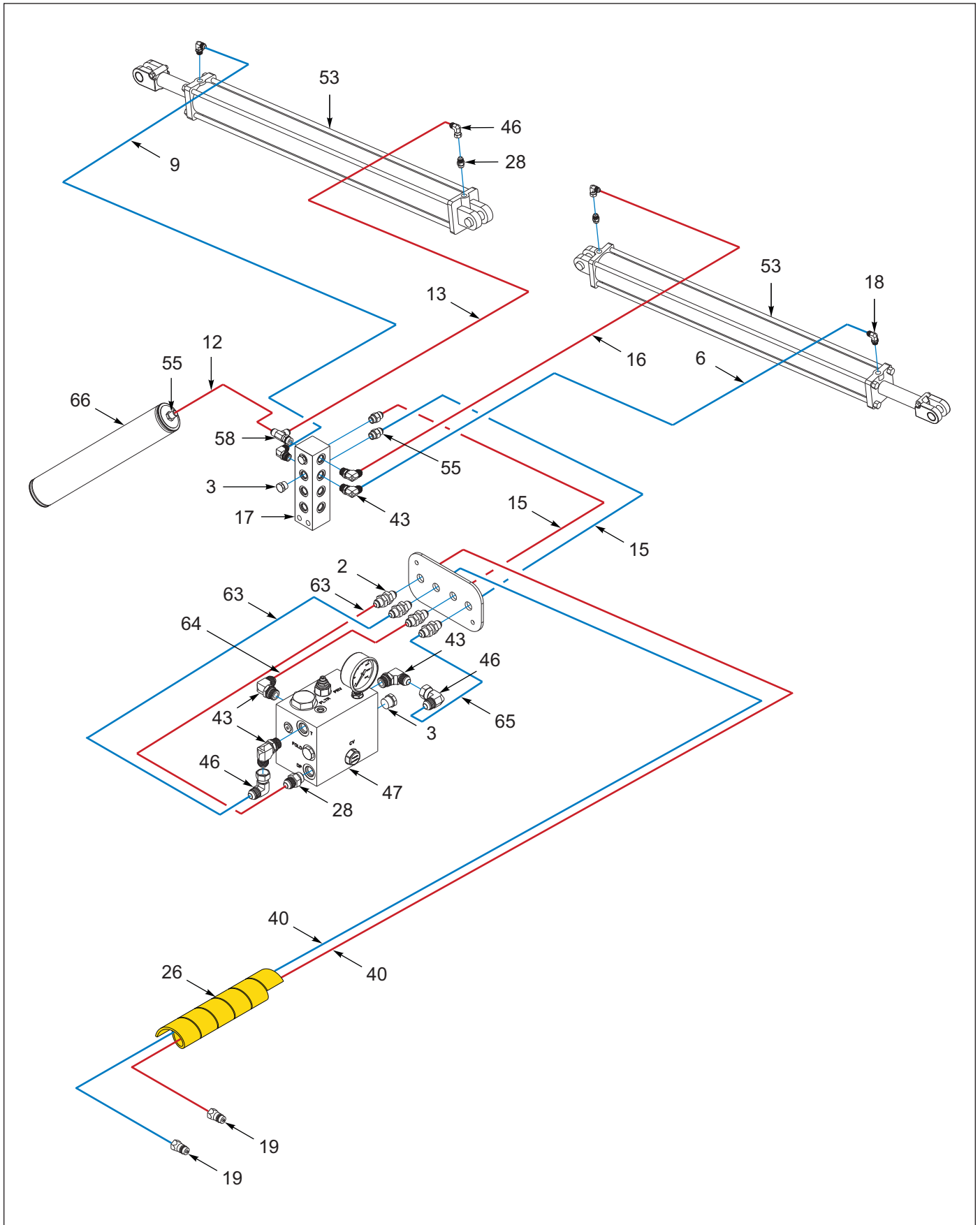


Figure 17-8: 25' Wing Fold and Down Pressure Diagram (BEFORE 03/01/2018) (4 of 4)



## 25' Hydraulic Diagram (BEFORE 03/01/2018)

ITEM	PART NUMBER	DESCRIPTION	QTY.
1	1-397-010302042	HOSE ASSY,1/2X42,SAE37,STR-90	--
2	102-0322	37 FLARE BULKHEAD/37 FLARE	--
3	1-007-010025	PLUG, 3/4-16 O-RING BOSS	--
4	104369	HOSE ASSY 1/2X96,SAE37,STR-90	--
5	116432	HOSE ASSY, 3/8X60 #8 JIC SWV	--
6	116434	HOSE ASSY, 3/8X120 #8 JIC SW	--
7	116436	HOSE ASSY, 3/8X255 #8 JIC SW	--
8	116491	HOSE ASSY 3/8X96 #8 JIC SW	--
9	117260	HOSE ASSY 3/8X156 #8JIC	--
10	121002	HOSE ASSY1/2X45,SAE37,STR-STR	--
11	122909	HOSE ASSY 3/8X82,#8 JIC SWVL <b>(BEFORE 08/12/2016)</b>	--
11	192481	HOSE ASSY 3/8 X 88 <b>(AFTER 08/12/2016)</b>	--
12	123066	HOSE ASSY 3/8X64 #8STR-#8-90	--
13	137599	HOSE ASSY 3/8X126.25 #8JIC SWV	--
14	140693	VALVE, LIMIT	--
15	1413183	HOSE ASSY #6 .38X103.25HIPRES	--
16	1413184	HOSE ASSY #6 .38X106.25HIPRES	--
17	141594	MANIFOLD, HYDRAULIC 16 PORT	--
18	141826	ELBOW 90 1/16 RES	--
19	141828	COUPLER,MALE 3/4-16 O-RING	--
20	141883	HOSE ASSY 3/8X190 #8 JIC SWIV	--
21	141888	HOSE ASSY 3/8X320 #8JICX#8OR	--
22	145200	CYLINDER 4-1/2 X 8 REPHASE <b>(SEE PAGE 17-56)</b>	--
23	145201	CYLINDER 4 X 8 REPHASE <b>(SEE PAGE 17-57)</b>	--
24	153621	HOSE ASSY 3/8X212 #8 JIC SWIV	--
25	155528	HOSE WRAP, BLUE 1" ID X 8"	--
26	155529	HOSE WRAP, YELLOW 1" ID X 8"	--
27	155530	HOSE WRAP, BLACK 1" ID X 8"	--
28	162671	CHECK VALVE W/ORIFICE	--
29	164309	HOSE ASSY 3/8X300 #8JIC SWIV	--
30	165335	HOSE ASY3/8X290 #8JICX#8 O/R	--
31	171760	HOSE ASSY 3/8 X 32 #8STR-#8-90	--
32	172481	HOSE ASSY, 3/8X428 #8JICX#8OR	--
33	172973	HOSE WRAP, RED	--
34	177000	HOSE 3/8 X 372, #8JIC X #8OR	--
35	180117	HOSE ASSY, 3/8X275, #8JIC SWIV	--
36	181801	HOSE ASSY, 3/8x58 #8 JIC SWIV	--
37	184585	VALVE,DUAL COUNTER BALANCE,30G	--
38	187436	CYLINDER, HYD 7X60 WLD 3000PSI <b>(SEE PAGE 17-64)</b>	--
39	187651	HOSE 1/2X37JICX3/4-16ORINGX332	--
40	188774	HOSE ASSY,3/8#8JICX#8ORB 270"	--
41	2-474-010022	MANIFOLD ASSY, HYDR 6 HOSE	--
42	2061-8-8S	ADAPTER, 45, #8 O-RING-TUBE	--
43	2062-8-8S	ADAPTER, 90, #8 O-RING-TUBE	--
44	2062-10-8S	ADAPTER,90, #10 O-RING-TUBE	--
45	2062-12-8S	ADAPTER,90,#12 O-RING-#8 TUBE	--
46	2071-8-8S	ADAPTER90 #8 FLR SWIVEL #8JIC	--
47	200743	MANIFOLD ASSY VALVE DOWN PRESS	--
48	201275	CYLINDER, 4 X 10 REPHASE <b>(SEE PAGE 17-59)</b>	--

## 25' Hydraulic Diagram (BEFORE 03/01/2018)

ITEM	PART NUMBER	DESCRIPTION	QTY.
49	201276	CYLINDER, 3.75 X 10 REPHASE (SEE PAGE 17-59)	--
50	201284	ACCUMULATOR-BLADR,10 L,3000PSI	--
51	201292	CYLINDER-HYD,3-1/2 X10,3000PSI (SEE PAGE 17-61)	--
52	201331	ADAPTER, O-RING REDUCR,-24X-12	--
53	201347	CYLINDER-HYD,4X48,2-1/4RD,3000 (SEE PAGE 17-63)	--
54	201315	MANIFOLD ASSY DRAFT COMP (BEFORE 08/12/2016)	--
54	203386	MANIFOLD ASSY DRAFT COMP (AFTER 08/12/2016)	--
55	202702-8-8S	ADAPTER #8 O-RING - #8 TUBE	--
56	202702-10-8S	ADAPTER, #10 O-RING #8 TUBE	--
57	202702-12-8S	ADAPTER, #12 O-RING #8 TUBE	--
58	203005-8-8S	ADAPTER,TEE,#8 O-RING-TUBE	--
59	203102-8-8S	ADAPTER,TEE,1/2 #8JICX#8JICSWV	--
60	203421	HOSE ASSY 3/8X21 #8STR-#8-90	--
61	203422	HOSE ASSY 3/8X23 #8STR-#8-90	--
62	203423	HOSE ASSY 3/8X29 #8STR-#8-90	--
63	203424	HOSE ASSY 3/8X26 #8STR-#8-90	--
64	203425	HOSE ASSY 3/8X33 #8STR-#8-90	--
65	203426	HOSE ASSY 3/8X39 #8STR-#8-90	--
66	203429	ACCUMULATOR-PISTON, 122 CI	--
67	203447	VALVE-CHECK, 225 PSI, ASM	--
68	203450	VALVE-LIMIT	--
69	4K607	RESTRICTOR 3/4-16	--
70	50976-26	HOSE #8 ASSY 48 OAL	--
71	71508985	HOSE ASSY .38 X 30	--
72	71508988	HOSE ASSY 3/8 X 80	--
73	71509000	HOSE ASM 3/8 X202	--
74	71509382	HOSE ASSY .38 X 112	--
75	71600087	HOSE ASSY 1/2X48 SAE37 STR	--
76	71600088	HOSE ASSY 3/8 X228IN	--

25' Hydraulic Diagram (AFTER 03/01/2018)

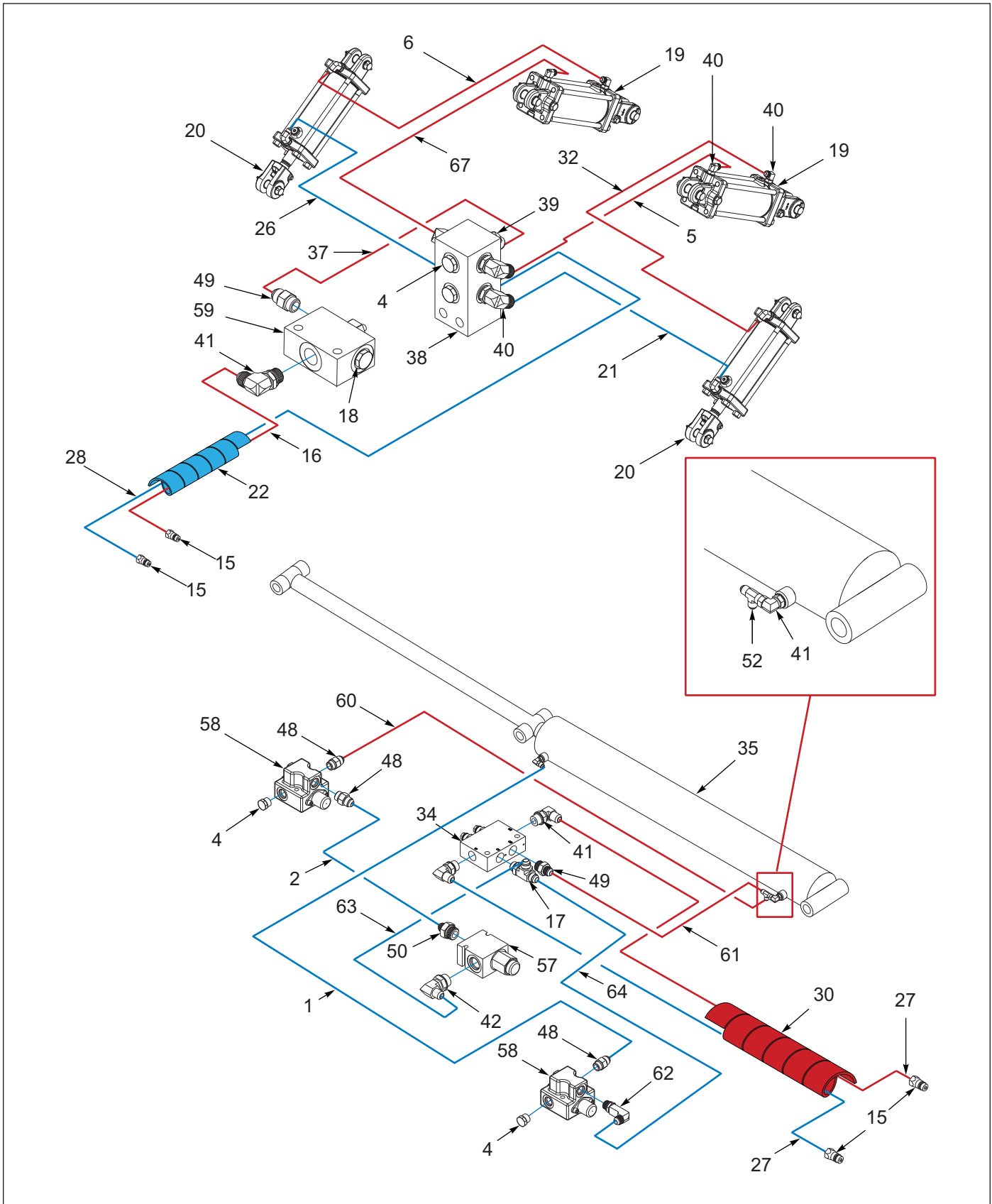


Figure 17-9: 25' Front Gauge and Tilt Diagram (AFTER 03/01/2018) (1 of 3)

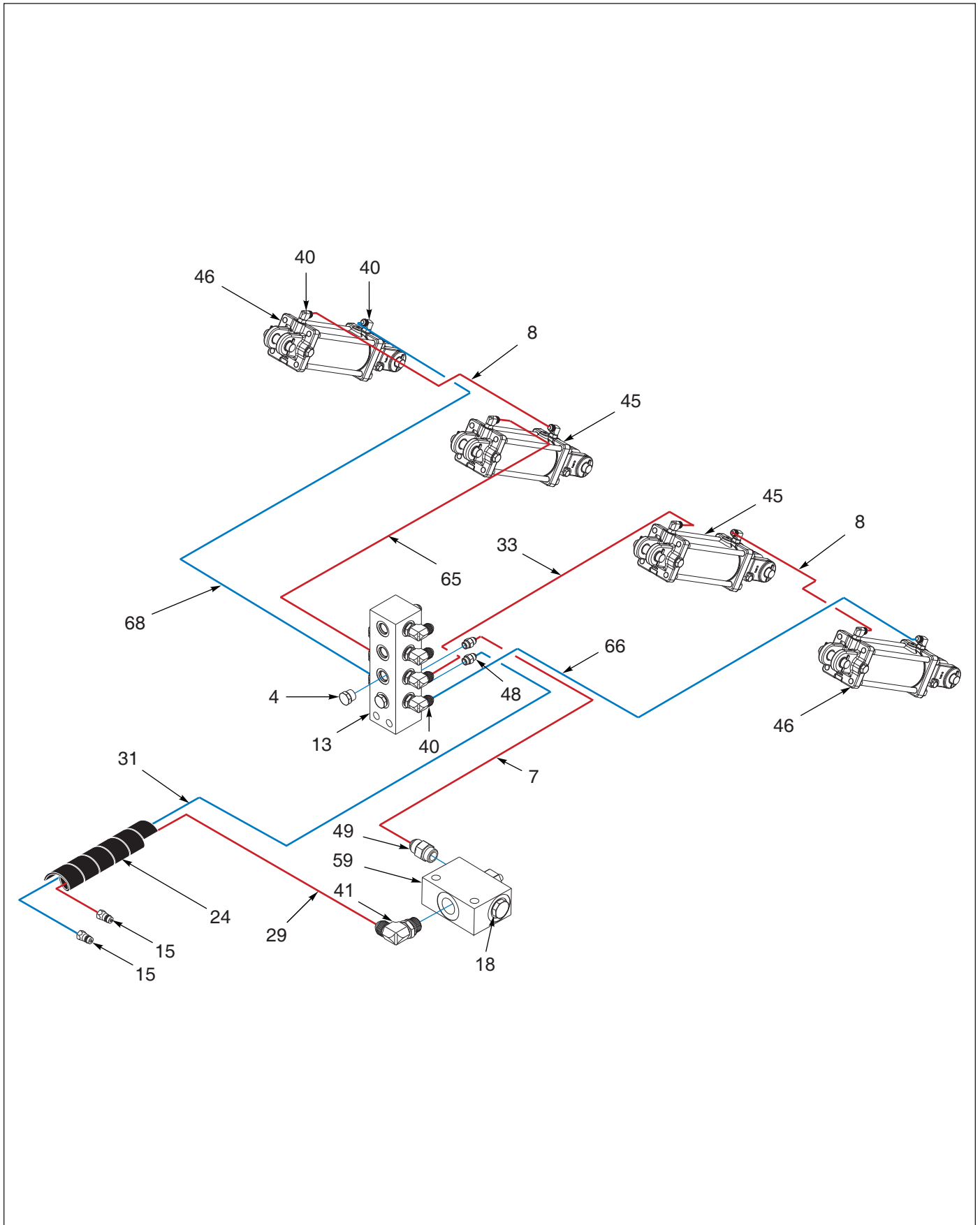


Figure 17-10: 25' Rear Gauge Diagram (AFTER 03/01/2018) (2 of 3)

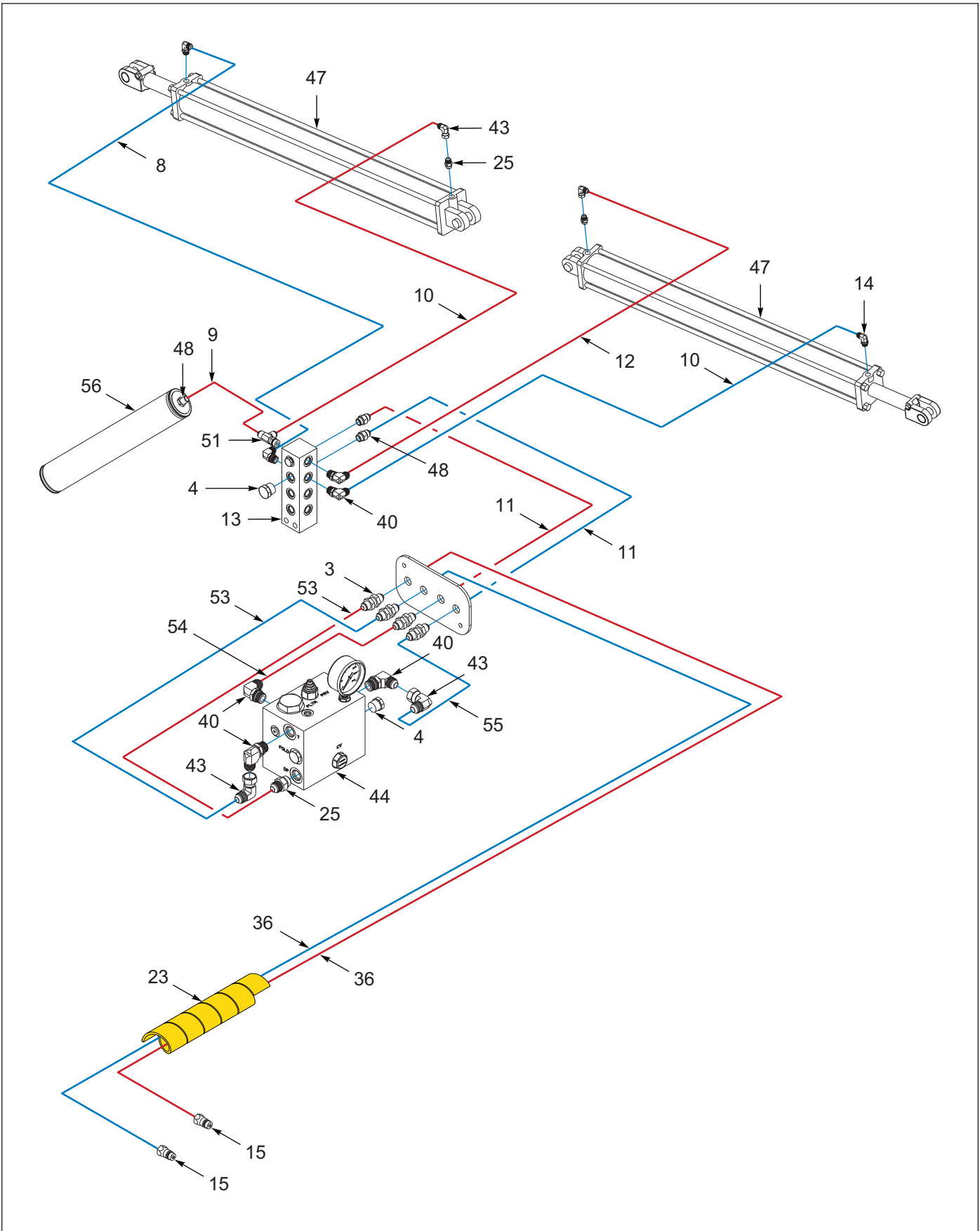


Figure 17-11: 25' Wing Fold and Down Pressure Diagram (AFTER 03/01/2018) (3 of 3)

## 25' Hydraulic Diagram (AFTER 03/01/2018)

ITEM	PART NUMBER	DESCRIPTION	QTY.
1	1-397-010301084	HOSE ASSY,1/2X84,SAE 37,STR	--
2	1-397-010302042	HOSE ASSY,1/2X42,SAE37,STR-90	--
3	102-0322	37 FLARE BULKHEAD/37 FLARE	--
4	1-007-010025	PLUG, 3/4-16 O-RING BOSS	--
5	116432	HOSE ASSY, 3/8X60 #8 JIC SWV	--
6	116436	HOSE ASSY, 3/8X255 #8 JIC SW (BEFORE 02/01/2020)	--
6	116437	HOSE ASSY, 3/8X267 #8 JIC SW (AFTER 02/01/2020)	--
7	116491	HOSE ASSY 3/8X96 #8 JIC SW	--
8	117260	HOSE ASSY 3/8X156 #8JIC	--
9	123066	HOSE ASSY 3/8X64 #8STR-#8-90	--
10	137599	HOSE ASSY 3/8X126.25 #8JIC SWV	--
11	1413183	HOSE ASSY #6 .38X103.25HIPRES	--
12	1413184	HOSE ASSY #6 .38X106.25HIPRES	--
13	141594	MANIFOLD, HYDRAULIC 16 PORT	--
14	141826	ELBOW 90 1/16 RES	--
15	141828	COUPLER,MALE 3/4-16 O-RING	--
16	141888	HOSE ASSY 3/8X320 #8JICX#8OR	--
17	143852	ADAPTER TEE #10ORB #10JIC	--
18	143853	PLUG #10 M ORB HEX SOCKET	--
19	145200	CYLINDER 4-1/2 X 8 REPHASE (BEFORE 01/03/2020) (SEE PAGE 17-56)	--
19	223374	CYLINDER 4-1/2 X 10 REPHASE (AFTER 01/03/2020) (SEE PAGE 17-59)	--
20	145201	CYLINDER 4 X 8 REPHASE (BEFORE 01/03/2020) (SEE PAGE 17-57)	--
20	201275	CYLINDER, 4 X 10 REPHASE (AFTER 01/03/2020) (SEE PAGE 17-59)	--
21	153621	HOSE ASSY 3/8X212 #8 JIC SWIV (BEFORE 02/01/2020)	--
21	211327	HOSE ASSY,3/8X218,8FJS ENDS (AFTER 02/01/2020)	--
22	155528	HOSE WRAP, BLUE 1" ID X 8"	--
23	155529	HOSE WRAP, YELLOW 1" ID X 8"	--
24	155530	HOSE WRAP, BLACK 1" ID X 8"	--
25	162671	CHECK VALVE W/ORIFICE	--
26	164309	HOSE ASSY 3/8X300 #8JIC SWIV (BEFORE 02/01/2020)	--
26	203596	HOSE ASSY 3/8X310,-8FJX,-8FJX (AFTER 02/01/2020)	--
27	164600	HOSE 1/2X37JICX3/4-16ORINGX304	--
28	165335	HOSE ASY3/8X290 #8JICX#8 O/R	--
29	172481	HOSE ASSY, 3/8X428 #8JICX#8OR	--
30	172973	HOSE WRAP, RED	--
31	177000	HOSE 3/8 X 372, #8JIC X #8OR	--
32	180117	HOSE ASSY, 3/8X275, #8JIC SWIV (BEFORE 02/01/2020)	--
32	203595	HOSE ASSY 3/8X280,-8FJX,-8FJX (AFTER 02/01/2020)	--
33	181801	HOSE ASSY, 3/8x58 #8 JIC SWIV	--
34	184585	VALVE,DUAL COUNTER BALANCE,30G	--
35	187436	CYLINDER, HYD 7X60 WLD 3000PSI (SEE PAGE 17-64)	--
36	188774	HOSE ASSY,3/8#8JICX#8ORB 270"	--
37	192481	HOSE ASSY 3/8 X 88	--
38	2-474-010022	MANIFOLD ASSY, HYDR 6 HOSE	--
39	2061-8-8S	ADAPTER, 45, #8 O-RING-TUBE	--

## 25' Hydraulic Diagram (AFTER 03/01/2018)

ITEM	PART NUMBER	DESCRIPTION	QTY.
40	2062-8-8S	ADAPTER, 90, #8 O-RING-TUBE	--
41	2062-10-8S	ADAPTER,90, #10 O-RING-TUBE	--
42	2062-12-8S	ADAPTER,90,#12 O-RING-#8 TUBE	--
43	2071-8-8S	ADAPTER90 #8 FLR SWIVEL #8JIC	--
44	200743	MANIFOLD ASSY VALVE DOWN PRESS	--
45	201275	CYLINDER, 4 X 10 REPHASE (SEE PAGE 17-59)	--
46	201276	CYLINDER, 3.75 X 10 REPHASE (SEE PAGE 17-59)	--
47	201347	CYLINDER-HYD,4X48,2-1/4RD,3000 (SEE PAGE 17-63)	--
48	202702-8-8S	ADAPTER #8 O-RING - #8 TUBE	--
49	202702-10-8S	ADAPTER, #10 O-RING #8 TUBE	--
50	202702-12-8S	ADAPTER, #12 O-RING #8 TUBE	--
51	203005-8-8S	ADAPTER,TEE,#8 O-RING-TUBE	--
52	203102-8-8S	ADAPTER,TEE,1/2 #8JICX#8JICSWV	--
53	203424	HOSE ASSY 3/8X26 #8STR-#8-90	--
54	203425	HOSE ASSY 3/8X33 #8STR-#8-90	--
55	203426	HOSE ASSY 3/8X39 #8STR-#8-90	--
56	203429	ACCUMULATOR-PISTON, 122 CI	--
57	203447	VALVE-CHECK, 225 PSI, ASM	--
58	203450	VALVE-LIMIT	--
59	203467	VALVE-LIMIT, STROKE	--
60	203566	HOSE ASM 1/2X93,-8FJX,-8FJX90S	--
61	203599	HOSE ASSY 1/2X 47,-8FJX,-8FJX	--
62	206209-8-8S	ADAPTER,90LONG,#8 O-RING-TUBE	--
63	210861	HOSE ASM1/2X36 -10FJX90S -8FJX	--
64	50002-76	HOSE #8 ASSY 89.25 OAL	--
65	71508988	HOSE ASSY 3/8 X 80	--
66	71509000	HOSE ASM 3/8 X202	--
67	71509382	HOSE ASSY .38 X 112	--
68	71600088	HOSE ASSY 3/8 X228IN	--





30' Hydraulic Diagram (BEFORE 03/01/2018)

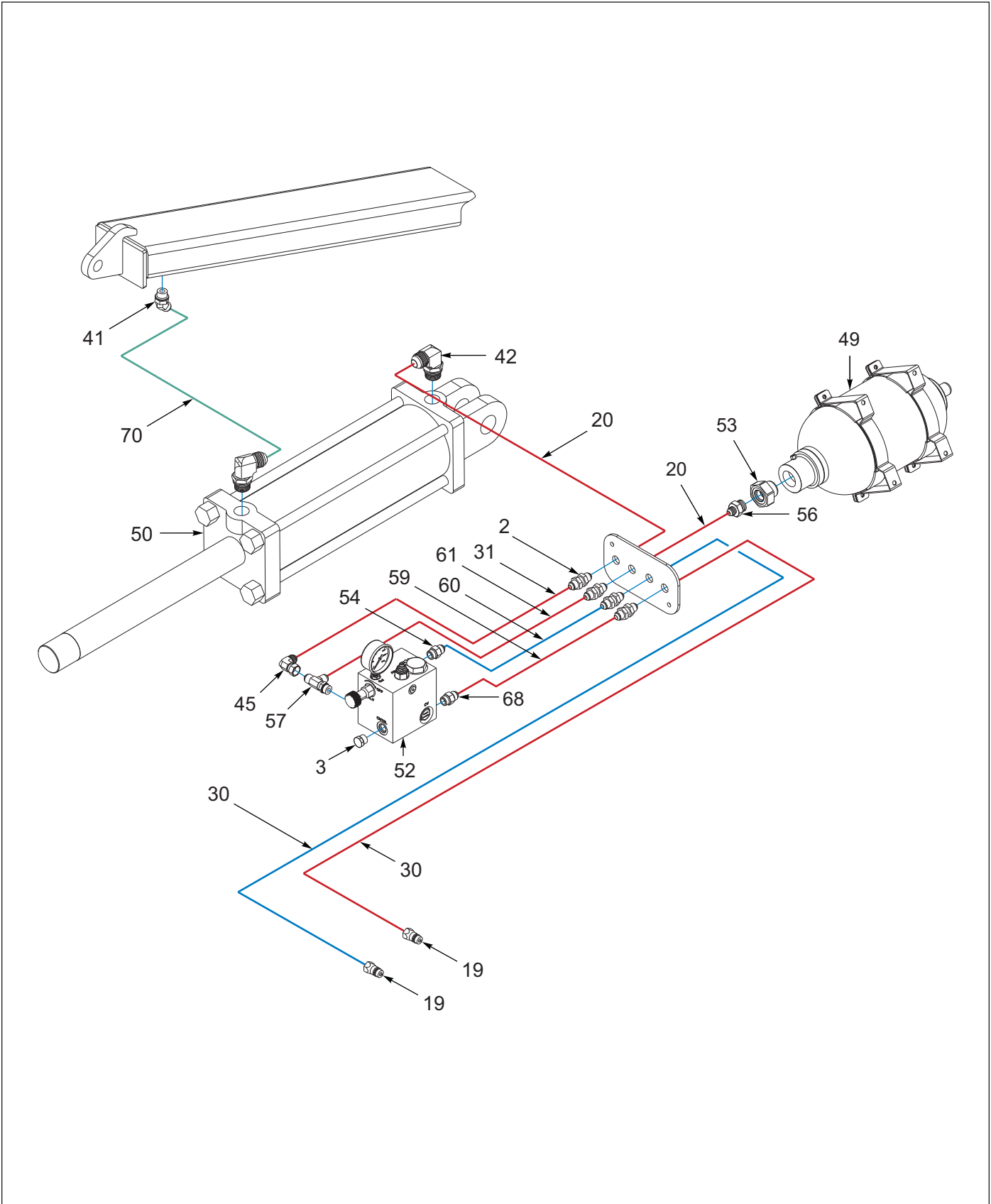


Figure 17-12: 30' Draft Compensator Diagram (BEFORE 03/01/2018) (1 of 4)

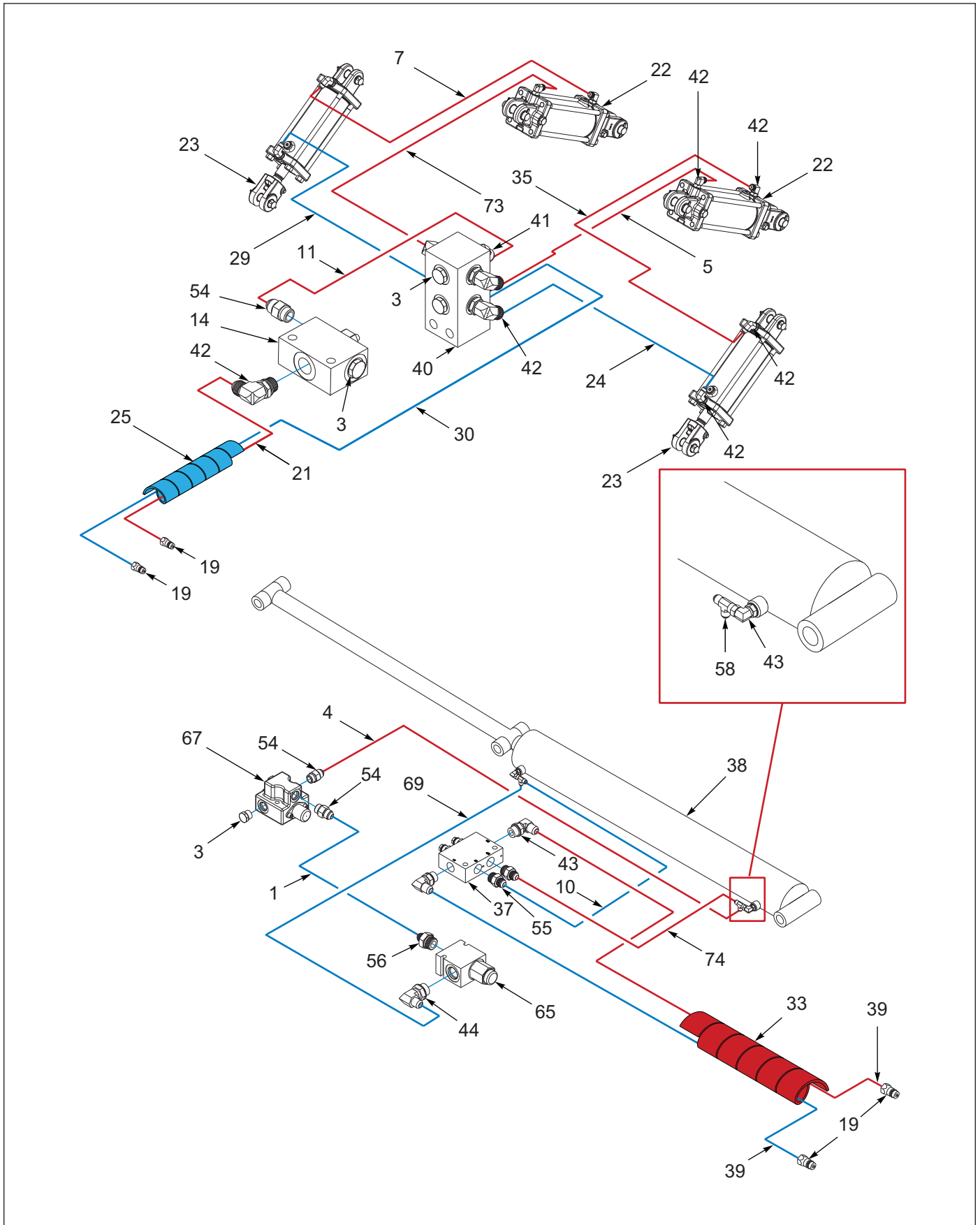


Figure 17-13: 30' Front Gauge and Tilt Diagram (BEFORE 03/01/2018) (2 of 4)

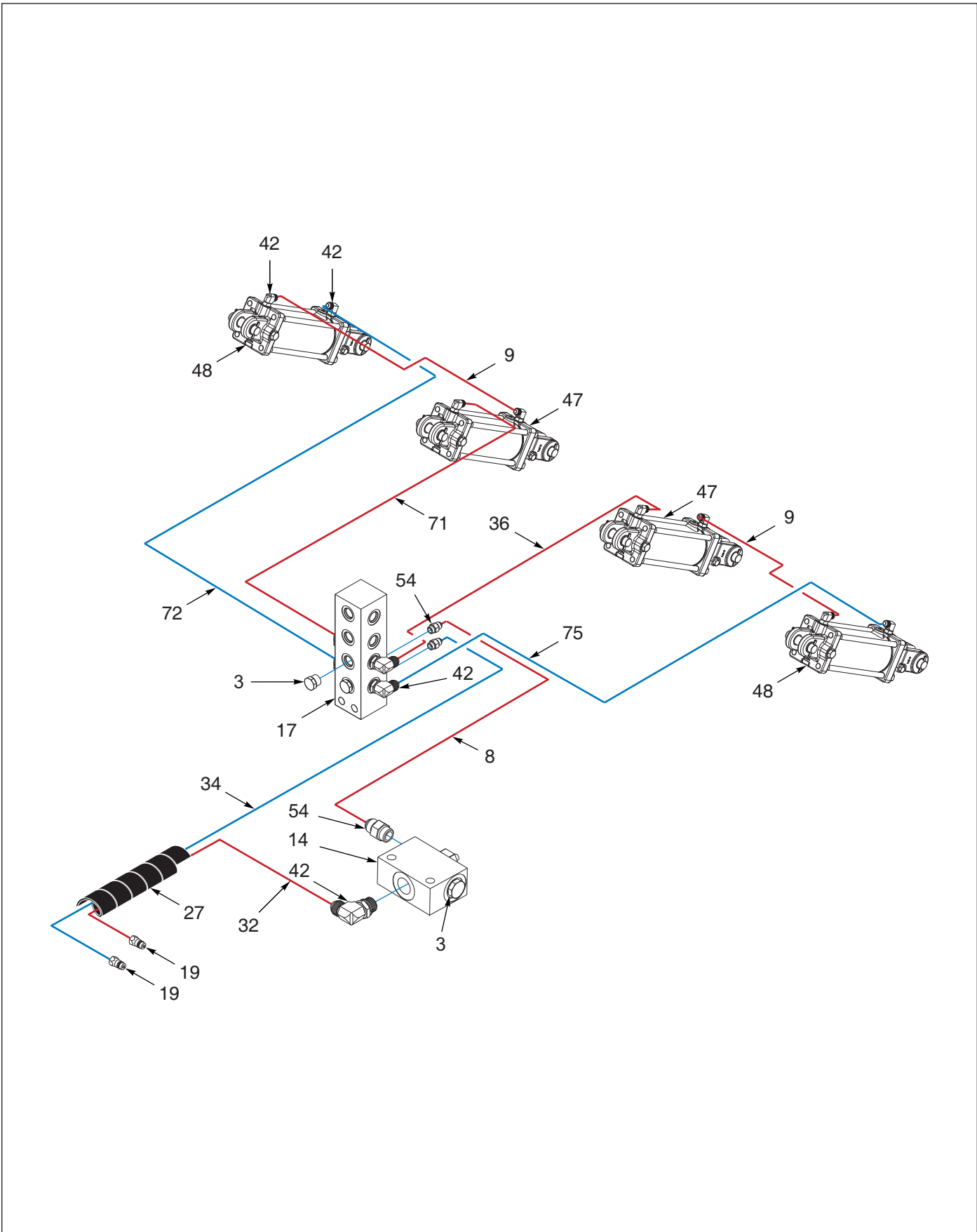


Figure 17-14: 30' Rear Gauge Diagram (BEFORE 03/01/2018) (3 of 4)

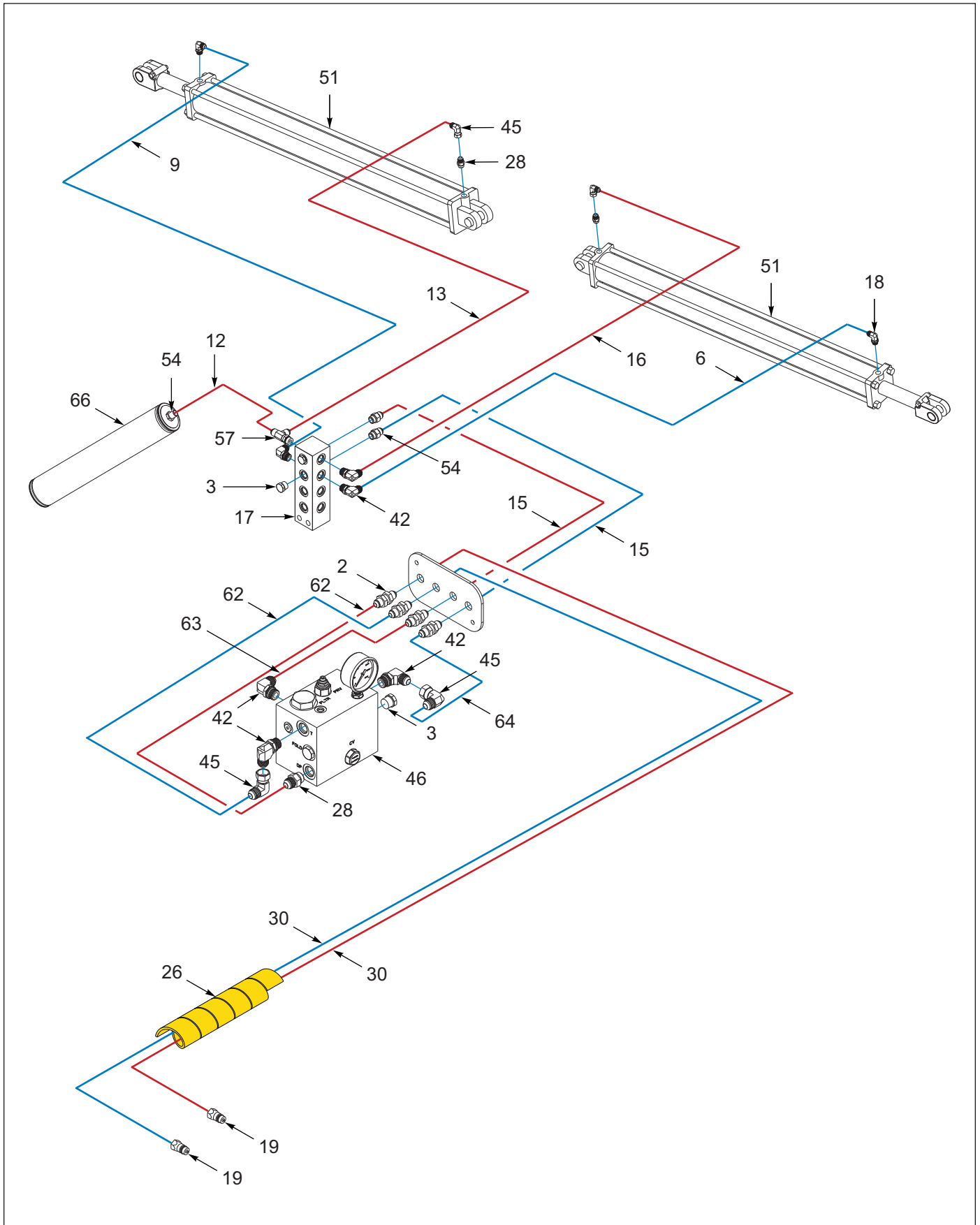


Figure 17-15: 30' Wing Fold and Down Diagram (BEFORE 03/01/2018) (4 of 4)

## 30' Hydraulic Diagram (BEFORE 03/01/2018)

ITEM	PART NUMBER	DESCRIPTION	QTY.
1	1-397-010302042	HOSE ASSY,1/2X42,SAE37,STR-90	--
2	102-0322	37 FLARE BULKHEAD/37 FLARE	--
3	1-007-010025	PLUG,-8M O-RING AQP#900598-8S	--
4	104369	HOSE ASSY 1/2X96,SAE37,STR-90	--
5	116432	HOSE ASSY, 3/8X60 #8 JIC SWV	--
6	116434	HOSE ASSY, 3/8X120 #8 JIC SW	--
7	116436	HOSE ASSY, 3/8X255 #8 JIC SW	--
8	116491	HOSE ASSY 3/8X96 #8 JIC SW	--
9	117260	HOSE ASSY 3/8X156 #8JIC	--
10	121002	HOSE ASSY1/2X45,SAE37,STR-STR	--
11	122909	HOSE ASSY 3/8X82,#8 JIC SWVL	--
12	123066	HOSE ASSY 3/8X64 #8STR-#8-90	--
13	137599	HOSE ASSY 3/8X126.25 #8JIC SWV	--
14	140693	VALVE, LIMIT	--
15	1413183	HOSE ASSY #6 .38X103.25HIPRES	--
16	1413184	HOSE ASSY #6 .38X106.25HIPRES	--
17	141594	MANIFOLD, HYDRAULIC 16 PORT	--
18	141826	ELBOW 90 1/16 RES	--
19	141828	COUPLER,MALE 3/4-16 O-RING	--
20	141883	HOSE ASSY 3/8X190 #8 JIC SWIV	--
21	141888	HOSE ASSY 3/8X320 #8JICX#8OR	--
22	145200	CYLINDER 4-1/2 X 8 REPHASE (SEE PAGE 17-56)	--
23	145201	CYLINDER 4 X 8 REPHASE (SEE PAGE 17-57)	--
24	153621	HOSE ASSY 3/8X212 #8 JIC SWIV	--
25	155528	HOSE WRAP, BLUE 1" ID X 8"	--
26	155529	HOSE WRAP, YELLOW 1" ID X 8"	--
27	155530	HOSE WRAP, BLACK 1" ID X 8"	--
28	162671	CHECK VALVE W/ORIFICE	--
29	164309	HOSE ASSY 3/8X300 #8JIC SWIV	--
30	165335	HOSE ASY3/8X290 #8JICX#8 O/R	--
31	171760	HOSE ASSY 3/8 X 32 #8STR-#8-90	--
32	172481	HOSE ASSY, 3/8X428 #8JICX#8OR	--
33	172973	HOSE WRAP, RED	--
34	177000	HOSE 3/8 X 372, #8JIC X #8OR	--
35	180117	HOSE ASSY, 3/8X275, #8JIC SWIV	--
36	181801	HOSE ASSY, 3/8x58 #8 JIC SWIV	--
37	184585	VALVE,DUAL COUNTER BALANCE,30G	--
38	187436	CYLINDER, HYD 7X60 WLD 3000PSI (SEE PAGE 17-64)	--
39	188845	HOSE ASSY,1/2X 362,-8FJX/-8ORB	--
40	2-474-010022	MANIFOLD ASSY, HYDR 6 HOSE	--
41	2061-8-8S	ADAPTER, 45, #8 O-RING-TUBE	--
42	2062-8-8S	ADAPTER, 90, #8 O-RING-TUBE	--
43	2062-10-8S	ADAPTER,90, #10 O-RING-TUBE	--
44	2062-12-8S	ADAPTER,90,#12 O-RING-#8 TUBE	--
45	2071-8-8S	ADAPTER90 #8 FLR SWIVEL #8JIC	--
46	200743	MANIFOLD ASSY VALVE DOWN PRESS	--
47	201275	CYLINDER, 4 X 10 REPHASE (SEE PAGE 17-59)	--
48	201276	CYLINDER, 3.75 X 10 REPHASE (SEE PAGE 17-59)	--
49	201284	ACCUMULATOR-BLADR,10 L,3000PSI	--

### 30' Hydraulic Diagram (BEFORE 03/01/2018)

ITEM	PART NUMBER	DESCRIPTION	QTY.
50	201292	CYLINDER-HYD,3-1/2 X10,3000PSI (SEE PAGE 17-61)	--
51	201347	CYLINDER-HYD,4X48,2-1/4RD,3000 (SEE PAGE 17-63)	--
52	201315	MANIFOLD ASSY DRAFT COMP (BEFORE 08/12/2016)	--
52	203386	MANIFOLD ASSY DRAFT COMP (AFTER 08/12/2016)	--
53	201331	ADAPTER, O-RING REDUCR,-24X-12	--
54	202702-8-8S	ADAPTER #8 O-RING - #8 TUBE	--
55	202702-10-8S	ADAPTER, #10 O-RING #8 TUBE	--
56	202702-12-8S	ADAPTER, #12 O-RING #8 TUBE	--
57	203005-8-8S	ADAPTER,TEE,#8 O-RING-TUBE	--
58	203102-8-8S	ADAPTER,TEE,1/2 #8JICX#8JICSWV	--
59	203421	HOSE ASSY 3/8X21 #8STR-#8-90	--
60	203422	HOSE ASSY 3/8X23 #8STR-#8-90	--
61	203423	HOSE ASSY 3/8X29 #8STR-#8-90	--
62	203424	HOSE ASSY 3/8X26 #8STR-#8-90	--
63	203425	HOSE ASSY 3/8X33 #8STR-#8-90	--
64	203426	HOSE ASSY 3/8X39 #8STR-#8-90	--
65	203447	VALVE-CHECK, 225 PSI, ASM	--
66	203429	ACCUMULATOR-PISTON, 122 CI	--
67	203450	VALVE-LIMIT	--
68	4K607	RESTRICTOR 3/4-16	--
69	50976-26	HOSE #8 ASSY 48 OAL	--
70	71508985	HOSE ASSY .38 X 30	--
71	71508988	HOSE ASSY 3/8 X 80	--
72	71509000	HOSE ASM 3/8 X202	--
73	71509382	HOSE ASSY .38 X 112	--
74	71600087	HOSE ASSY 1/2X48 SAE37 STR	--
75	71600088	HOSE ASSY 3/8 X228IN	--



30' Hydraulic Diagram (AFTER 03/01/2018)

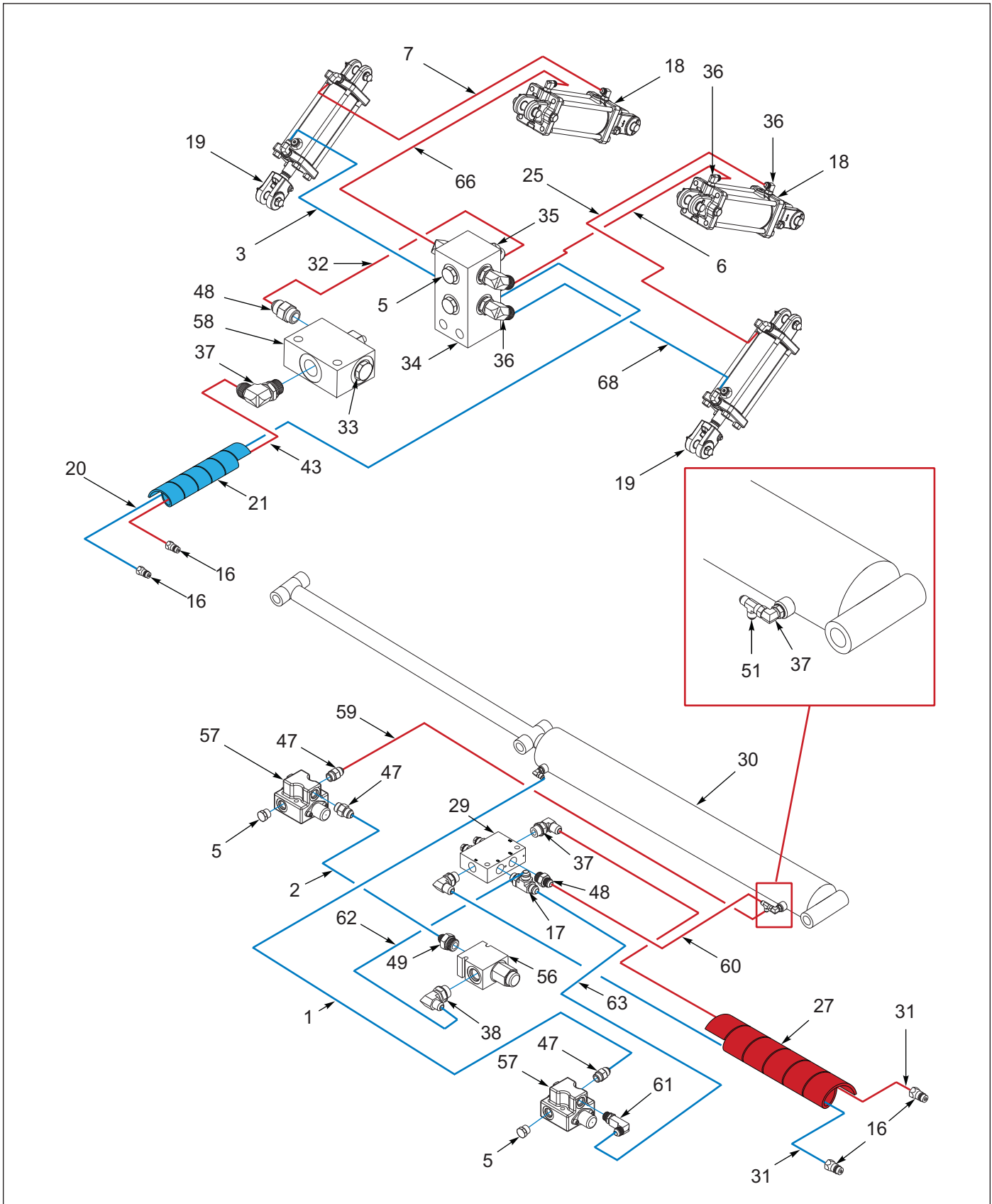


Figure 17-16: 30' Front Gauge and Tilt Diagram (AFTER 03/01/2018) (1 of 3)

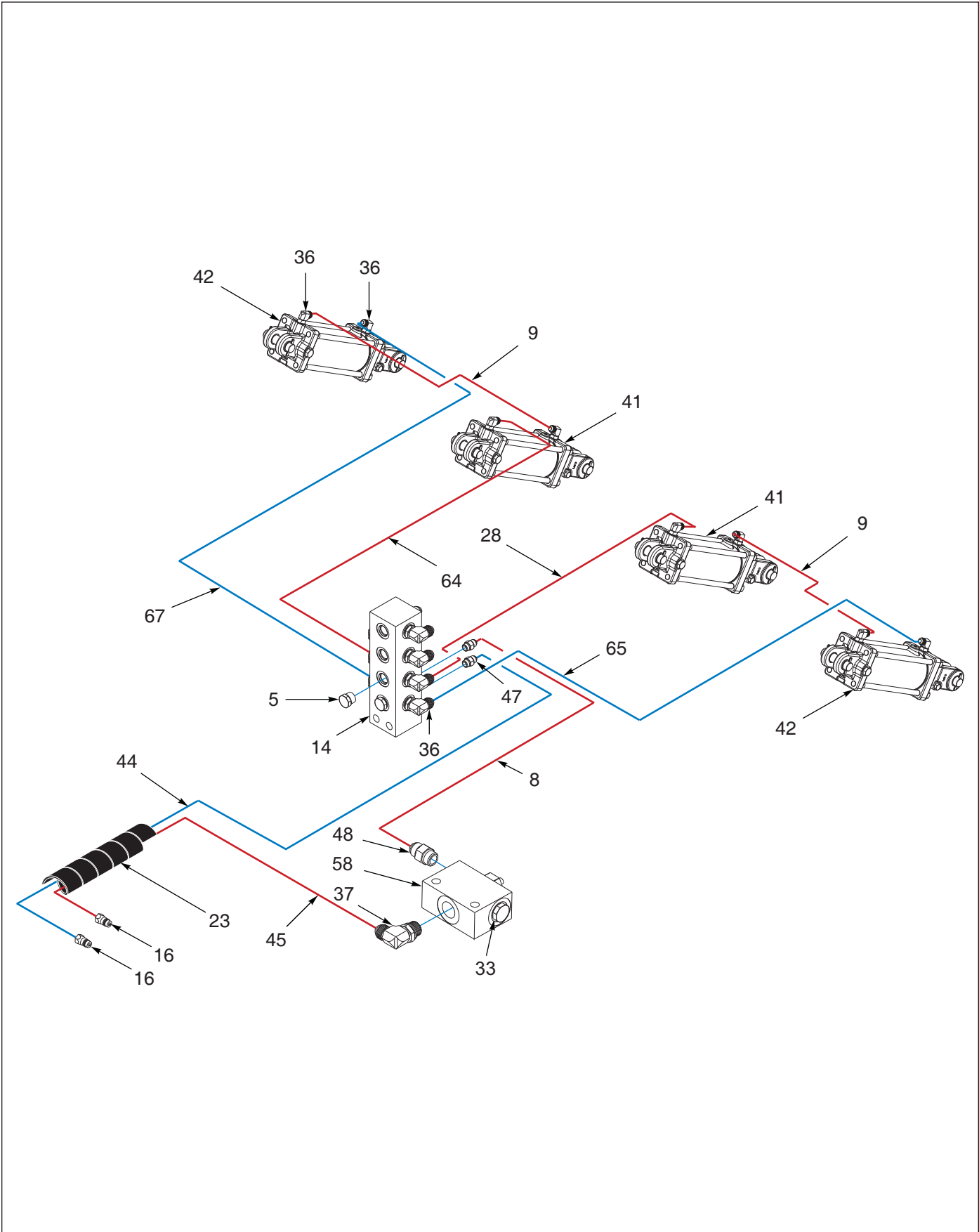


Figure 17-17: 30' Rear Gauge Diagram (AFTER 03/01/2018) (2 of 3)

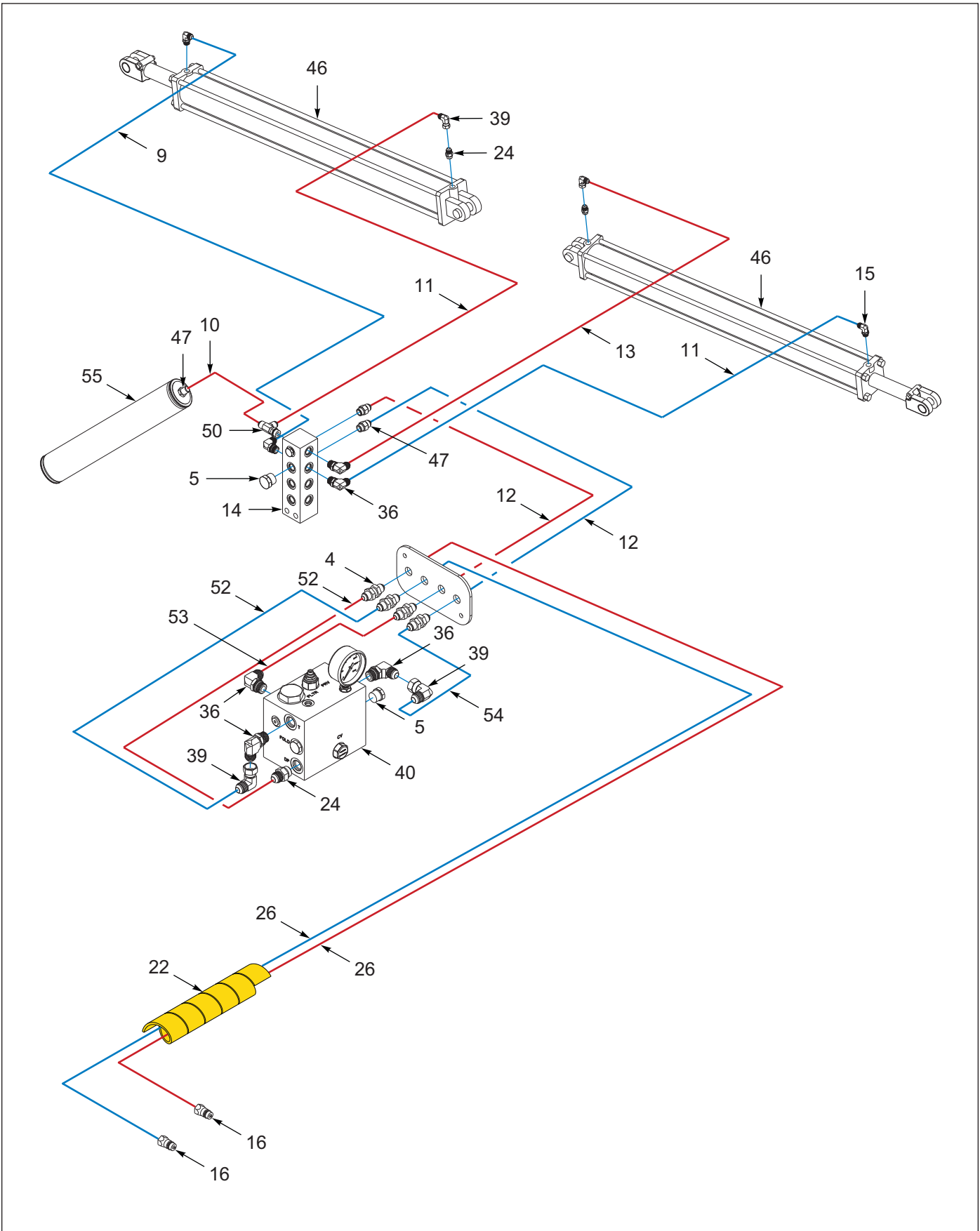


Figure 17-18: 30' Wing Fold and Down Diagram (AFTER 03/01/2018) (3 of 3)

### 30' Hydraulic Diagram (AFTER 03/01/2018)

ITEM	PART NUMBER	DESCRIPTION	QTY.
1	1-397-010301084	HOSE ASSY,1/2X84,SAE 37,STR	--
2	1-397-010302042	HOSE ASSY,1/2X42,SAE37,STR-90	--
3	1-397-010369324	HOSE ASSY,3/8X324, #8 JIC SWV <b>(BEFORE 02/01/2020)</b>	--
3	201313	HOSE ASSY 3/8X335,-8FJX,-8FJX <b>(AFTER 02/01/2020)</b>	--
4	102-0322	37 FLARE BULKHEAD/37 FLARE	--
5	1-007-010025	PLUG, 3/4-16 O-RING BOSS	--
6	116432	HOSE ASSY, 3/8X60 #8 JIC SWV	--
7	116437	HOSE ASSY, 3/8X267 #8 JIC SW <b>(BEFORE 02/01/2020)</b>	--
7	180117	HOSE ASSY, 3/8X275, #8JIC SWIV <b>(AFTER 02/01/2020)</b>	--
8	116491	HOSE ASSY 3/8X96 #8 JIC SW	--
9	117260	HOSE ASSY 3/8X156 #8JIC	--
10	123066	HOSE ASSY 3/8X64 #8STR-#8-90	--
11	116434	HOSE ASSY, 3/8X120 #8 JIC SW <b>(BEFORE 02/01/2020)</b>	--
11	137599	HOSE ASSY 3/8X126.25 #8JIC SWV <b>(AFTER 02/01/2020)</b>	--
12	1413183	HOSE ASSY #6 .38X103.25HIPRES	--
13	1413184	HOSE ASSY #6 .38X106.25HIPRES	--
14	141594	MANIFOLD, HYDRAULIC 16 PORT	--
15	141826	ELBOW 90 1/16 RES	--
16	141828	COUPLER,MALE 3/4-16 O-RING	--
17	143852	ADAPTER TEE #10ORB #10JIC	--
18	145200	CYLINDER 4-1/2 X 8 REPHASE <b>(BEFORE 01/03/2020)</b> <b>(SEE PAGE 17-56)</b>	--
18	223374	CYLINDER 4-1/2 X 10 REPHASE <b>(AFTER 01/03/2020)</b> <b>(SEE PAGE 17-66)</b>	--
19	145201	CYLINDER 4 X 8 REPHASE <b>(BEFORE 01/03/2020)</b> <b>(SEE PAGE 17-57)</b>	--
19	201275	CYLINDER, 4 X 10 REPHASE <b>(AFTER 01/03/2020)</b> <b>(SEE PAGE 17-59)</b>	--
20	147585	HOSE ASSY3/8X336#8JICX#8O-RNG	--
21	155528	HOSE WRAP, BLUE 1" ID X 8"	--
22	155529	HOSE WRAP, YELLOW 1" ID X 8"	--
23	155530	HOSE WRAP, BLACK 1" ID X 8"	--
24	162671	CHECK VALVE W/ORIFICE	--
25	164308	HOSE ASSY,3/8X285 #8JIC SWIV <b>(BEFORE 02/01/2020)</b>	--
25	71600089	HOSE ASSY 3/8 X 295IN <b>(AFTER 02/01/2020)</b>	--
26	165335	HOSE ASY3/8X290 #8JICX#8 O/R	--
27	172973	HOSE WRAP, RED	--
28	181801	HOSE ASSY, 3/8x58 #8 JIC SWIV	--
29	184585	VALVE,DUAL COUNTER BALANCE,30G	--
30	187436	CYLINDER, HYD 7X60 WLD 3000PSI <b>(SEE PAGE 17-64)</b>	--
31	187651	HOSE 1/2X37JICX3/4-16ORINGX332	--
32	192481	HOSE ASSY 3/8 X 88	--
33	143853	PLUG #10 M ORB HEX SOCKET	--
34	2-474-010022	MANIFOLD ASSY, HYDR 6 HOSE	--
35	2061-8-8S	ADAPTER, 45, #8 O-RING-TUBE	--
36	2062-8-8S	ADAPTER, 90, #8 O-RING-TUBE	--
37	2062-10-8S	ADAPTER,90, #10 O-RING-TUBE	--
38	2062-12-8S	ADAPTER,90,#12 O-RING-#8 TUBE	--
39	2071-8-8S	ADAPTER90 #8 FLR SWIVEL #8JIC	--

### **30' Hydraulic Diagram (AFTER 03/01/2018)**

<b>ITEM</b>	<b>PART NUMBER</b>	<b>DESCRIPTION</b>	<b>QTY.</b>
40	200743	MANIFOLD ASSY VALVE DOWN PRESS	--
41	201275	CYLINDER, 4 X 10 REPHASE <b>(SEE PAGE 17-59)</b>	--
42	201276	CYLINDER, 3.75 X 10 REPHASE <b>(SEE PAGE 17-59)</b>	--
43	201341	HOSE ASSY, 3/8X350,-8FJX,-8ORB	--
44	201343	HOSE ASSY, 3/8X395,-8FJX,-8ORB	--
45	201344	HOSE ASSY, 3/8X460,-8FJX,-8ORB	--
46	201347	CYLINDER-HYD,4X48,2-1/4RD,3000 <b>(SEE PAGE 17-63)</b>	--
47	202702-8-8S	ADAPTER #8 O-RING - #8 TUBE	--
48	202702-10-8S	ADAPTER, #10 O-RING #8 TUBE	--
49	202702-12-8S	ADAPTER, #12 O-RING #8 TUBE	--
50	203005-8-8S	ADAPTER,TEE,#8 O-RING-TUBE	--
51	203102-8-8S	ADAPTER,TEE,1/2 #8JICX#8JICSWV	--
52	203424	HOSE ASSY 3/8X26 #8STR-#8-90	--
53	203425	HOSE ASSY 3/8X33 #8STR-#8-90	--
54	203426	HOSE ASSY 3/8X39 #8STR-#8-90	--
55	203429	ACCUMULATOR-PISTON, 122 CI	--
56	203447	VALVE-CHECK, 225 PSI, ASM	--
57	203450	VALVE-LIMIT	--
58	203467	VALVE-LIMIT, STROKE	--
59	203566	HOSE ASM 1/2X93,-8FJX,-8FJX90S	--
60	203599	HOSE ASSY 1/2X 47,-8FJX,-8FJX	--
61	206209-8-8S	ADAPTER,90LONG,#8 O-RING-TUBE	--
62	210861	HOSE ASM1/2X36 -10FJX90S -8FJX	--
63	50002-76	HOSE #8 ASSY 89.25 OAL	--
64	71508988	HOSE ASSY 3/8 X 80	--
65	71509000	HOSE ASM 3/8 X202	--
66	71509382	HOSE ASSY .38 X 112	--
67	71600088	HOSE ASSY 3/8 X228IN	--
68	71600088	HOSE ASSY 3/8 X228IN <b>(BEFORE 02/01/2020)</b>	--
68	164307	HOSE ASSY,3/8X237 #8JIC SWIV <b>(FRONT GAUGE ONLY)</b> <b>(AFTER 02/01/2020)</b>	--



35' Hydraulic Diagram (BEFORE 03/01/2018)

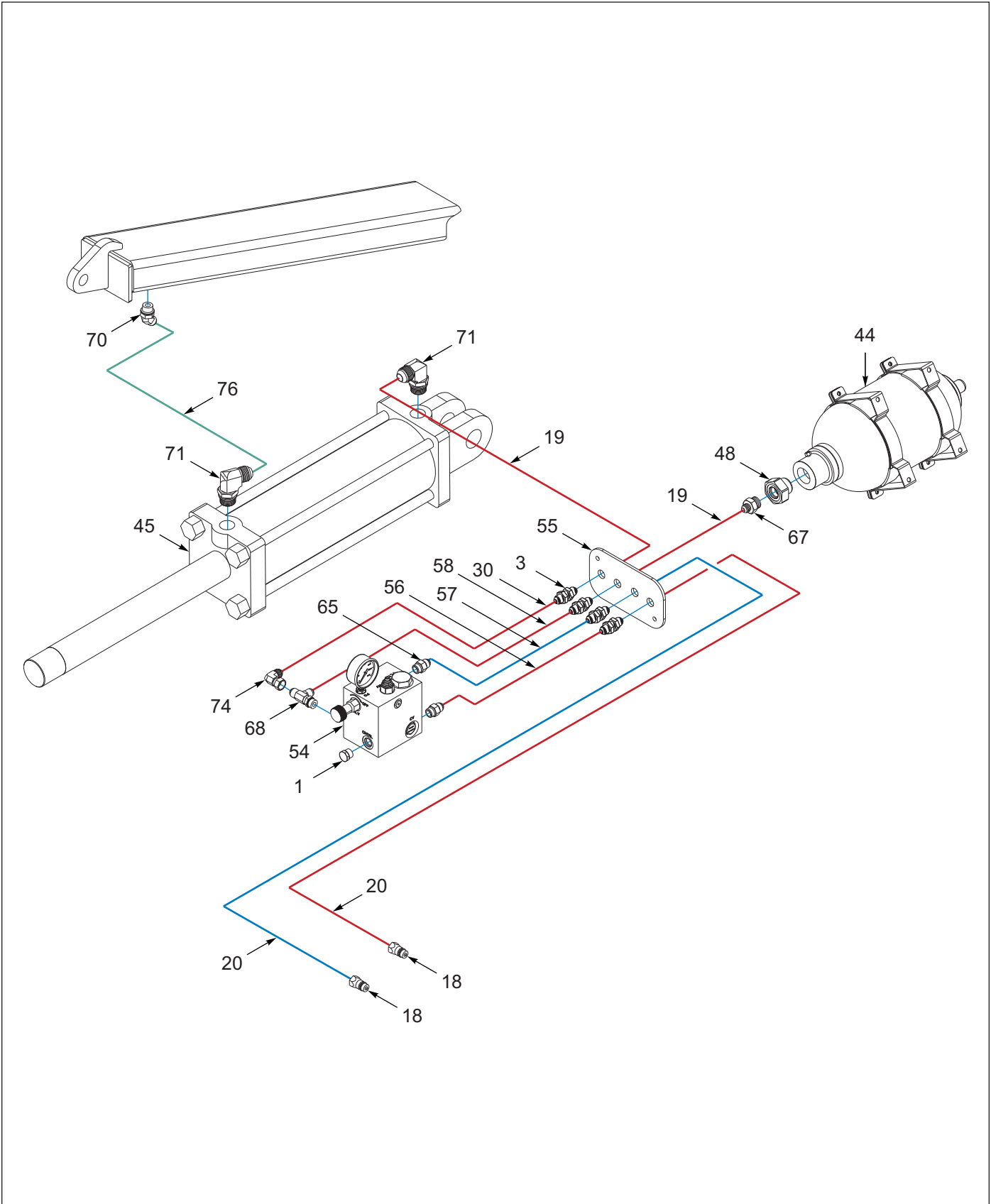


Figure 17-19: 35' Draft Compensator Diagram (BEFORE 03/01/2018) (1 of 4)



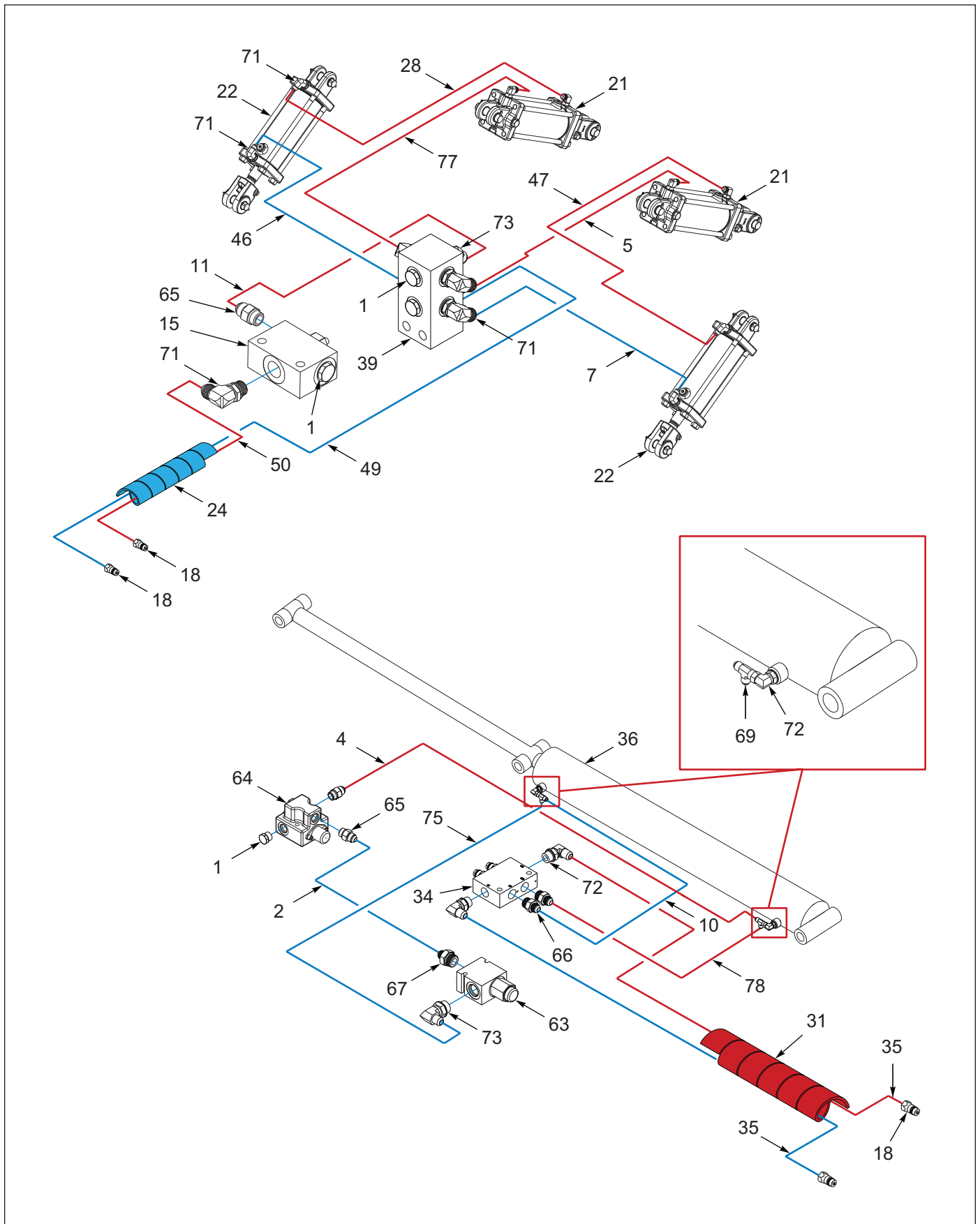


Figure 17-20: 35' Front Gauge and Tilt Diagram (BEFORE 03/01/2018) (2 of 4)

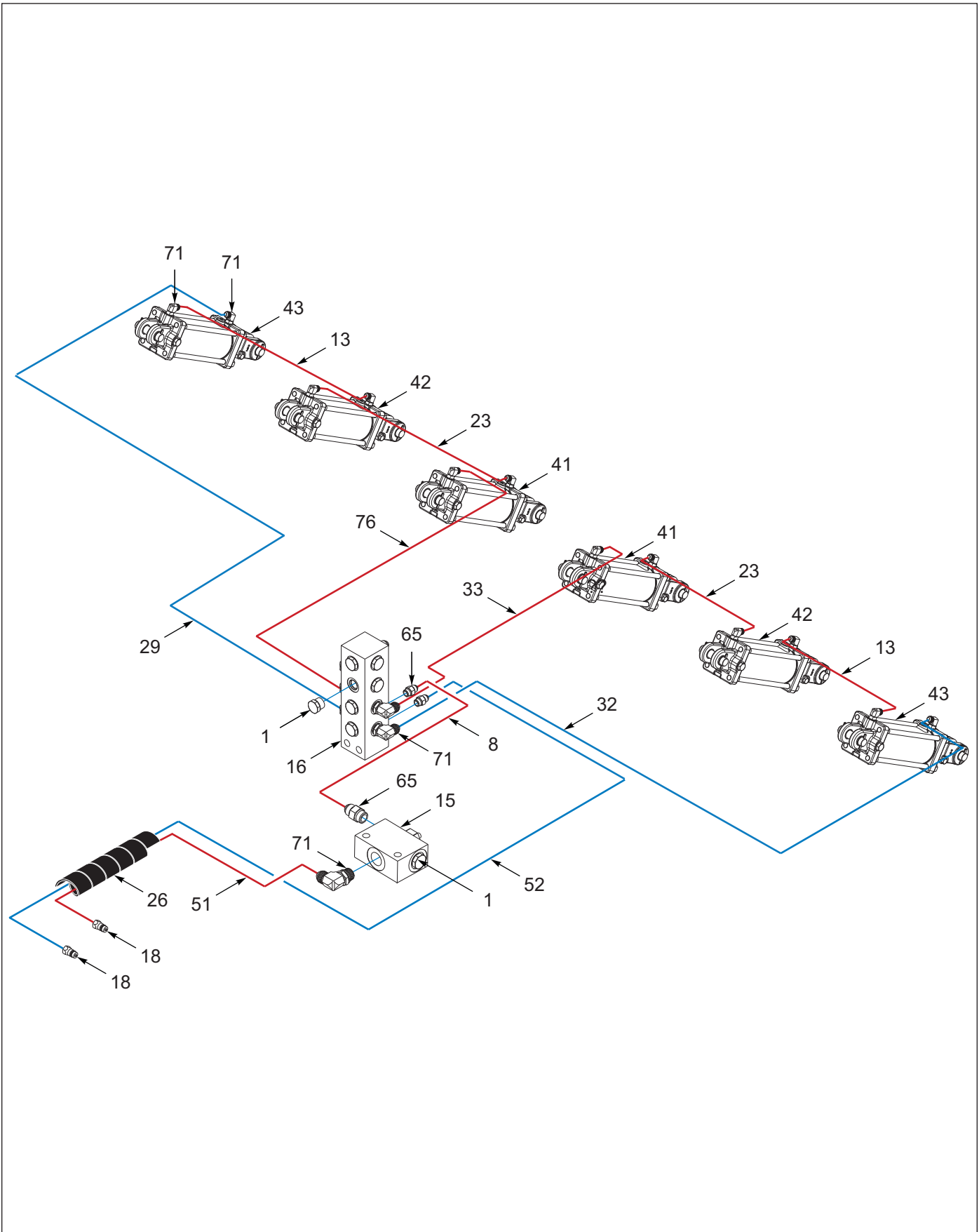


Figure 17-21: 35' Rear Gauge Diagram (BEFORE 03/01/2018) (3 of 4)

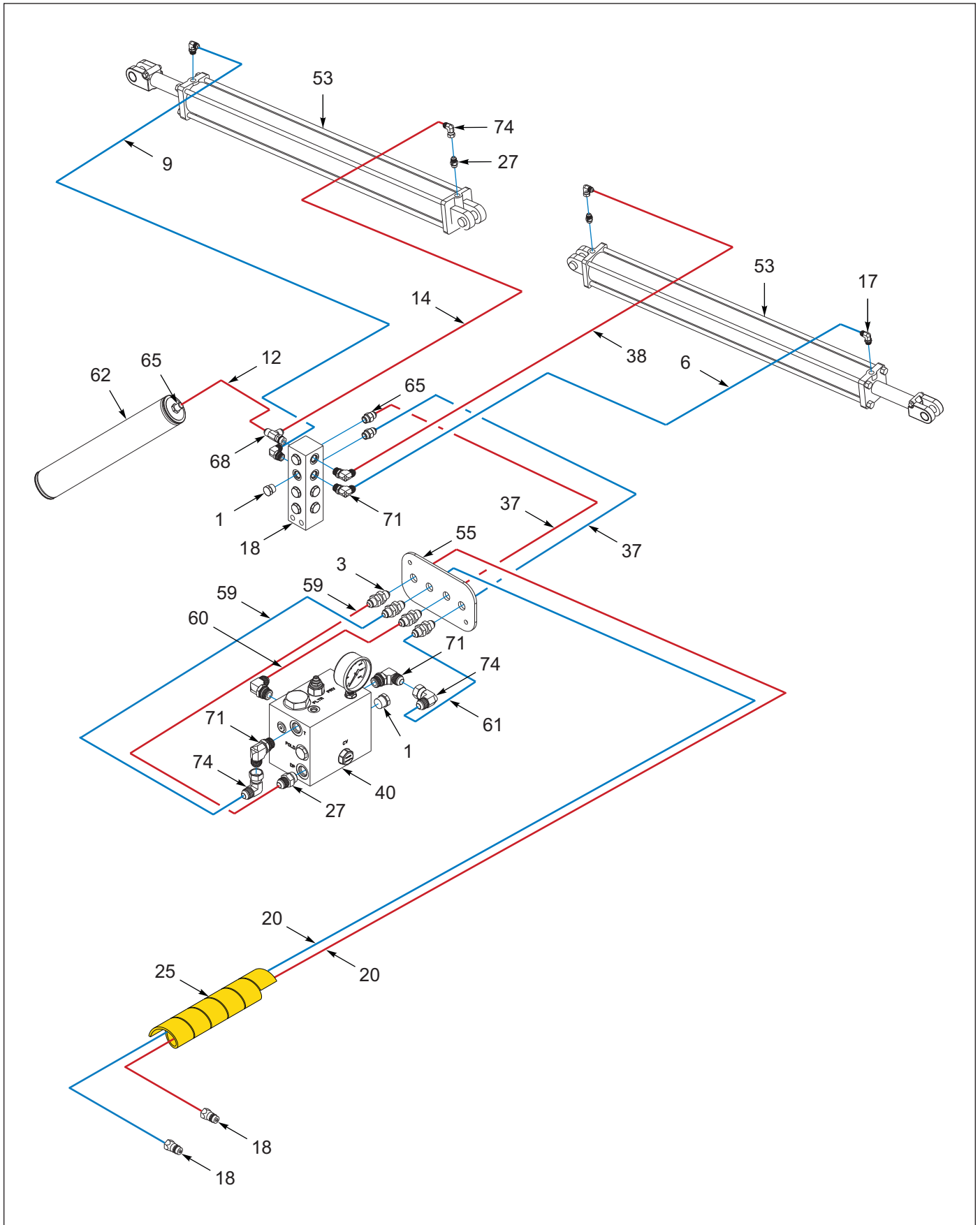


Figure 17-22: 35' Wing Fold and Down Diagram (BEFORE 03/01/2018) (4 of 4)

## 35' Hydraulic Diagram (BEFORE 03/01/2018)

ITEM	PART NUMBER	DESCRIPTION	QTY.
1	1-007-010025	PLUG, 3/4-16 O-RING BOSS	--
2	1-397-010302042	HOSE ASSY, 1/2X42,SAE37,STR-90	--
3	102-0322	37 FLARE BULKHEAD/37 FLARE	--
4	203566	HOSE ASM 1/2X93,-8FJX,-8FJX90S	--
5	116432	HOSE ASSY, 3/8X60 #8 JIC SWV <b>(BEFORE 02/01/2020)</b>	--
5	180117	HOSE ASSY, 3/8X275, #8JIC SWIV <b>(AFTER 02/01/2020)</b>	--
6	137599	HOSE ASSY 3/8X126.25 #8JIC SWV	--
7	116437	HOSE ASSY, 3/8X267 #8 JIC SW <b>(BEFORE 02/01/2020)</b>	--
7	180117	HOSE ASSY, 3/8X275, #8JIC SWIV <b>(AFTER 02/01/2020)</b>	--
8	116491	HOSE ASSY 3/8X96 #8 JIC SW	--
9	117260	HOSE ASSY 3/8X156 #8JIC	--
10	50002-76	HOSE #8 ASSY 89.25 OAL	--
11	192481	HOSE ASSY 3/8 X 88	--
12	123066	HOSE ASSY 3/8X64 #8STR-#8-90	--
13	137598	HOSE ASSY #6 .38X123.25HIPRES	--
14	137599	HOSE ASSY 3/8X126.25 #8JIC SWV	--
15	203467	VALVE-LIMIT, STROKE	--
16	141594	MANIFOLD, HYDRAULIC 16 PORT	--
17	141826	ELBOW 90 1/16 RES	--
18	141828	COUPLER,MALE 3/4-16 O-RING	--
19	141883	HOSE ASSY 3/8X190 #8 JIC SWIV	--
20	141888	HOSE ASSY 3/8X320 #8JICX#8OR	--
21	145200	CYLINDER 4-1/2 X 8 REPHASE <b>(BEFORE 01/03/2020)</b> <b>(SEE PAGE 17-56)</b>	--
21	223374	CYLINDER, 4-1/2 X 10, REPHASE <b>(AFTER 01/03/2020)</b> <b>(SEE PAGE 17-66)</b>	--
22	145201	CYLINDER 4 X 8 REPHASE <b>(BEFORE 01/03/2020)</b> <b>(SEE PAGE 17-57)</b>	--
22	201275	CYLINDER, 4 X 10 REPHASE <b>(AFTER 01/03/2020)</b> <b>(SEE PAGE 17-59)</b>	--
23	153620	HOSE ASSY 3/8X140 #8 JIC SWIV	--
24	155528	HOSE WRAP, BLUE 1" ID X 8"	--
25	155529	HOSE WRAP, YELLOW 1" ID X 8"	--
26	155530	HOSE WRAP, BLACK 1" ID X 8"	--
27	162671	CHECK VALVE W/ORIFICE	--
28	164309	HOSE ASSY 3/8X300 #8JIC SWIV	--
29	164309	HOSE ASSY 3/8X300 #8JIC SWIV <b>(BEFORE 02/01/2020)</b>	--
29	203596	HOSE ASSY 3/8X310,-8FJX,-8FJX <b>(AFTER 02/01/2020)</b>	--
30	203421	HOSE ASSY 3/8X21 #8STR-#8-90	--
31	172973	HOSE WRAP, RED	--
32	180117	HOSE ASSY, 3/8X275, #8JIC SWIV	--
33	181801	HOSE ASSY, 3/8x58 #8 JIC SWIV	--
34	184585	VALVE,DUAL COUNTER BALANCE,30G	--
35	188845	HOSE ASSY,1/2X 362,-8FJX/-8ORB	--
36	199920	CYLINDER-HYDR, 8X60, 3000PSI <b>(SEE PAGE 17-65)</b>	--
37	1413183	HOSE ASSY #6 .38X103.25HIPRES	--
38	1413184	HOSE ASSY #6 .38X106.25HIPRES	--
39	2-474-010022	MANIFOLD HYDRAULIC, 6 HOSE	--
40	200743	MANIFOLD ASSY VALVE DOWN PRESS	--
41	201275	CYLINDER, 4 X 10 REPHASE <b>(SEE PAGE 17-59)</b>	--
42	201276	CYLINDER, 3.75 X 10 REPHASE <b>(SEE PAGE 17-59)</b>	--

## 35' Hydraulic Diagram (BEFORE 03/01/2018)

ITEM	PART NUMBER	DESCRIPTION	QTY.
43	201277	CYLINDER, 3.5 X 10 REPHASE (SEE PAGE 17-59)	--
44	201284	ACCUMULATOR-BLADR,10 L,3000PSI	--
45	201292	CYLINDER-HYD,3-1/2 X10,3000PSI	--
46	203597	HOSE ASSY 3/8X314,-8FJX,-8FJX (BEFORE 02/01/2020)	--
46	1-397-010369324	HOSE ASSY,3/8X324, #8 JIC SWV (AFTER 02/01/2020)	--
47	203598	HOSE ASSY 3/8X317,-8FJX,-8FJX (BEFORE 02/01/2020)	--
47	1-397-010369324	HOSE ASSY,3/8X324, #8 JIC SWV (AFTER 02/01/2020)	--
48	201331	ADAPER, O-RING REDUCR,-24X-12	--
49	201341	HOSE ASSY, 3/8X350,-8FJX,-8ORB	--
50	201342	HOSE ASSY, 3/8X375,-8FJX,-8ORB	--
51	201344	HOSE ASSY, 3/8X460,-8FJX,-8ORB	--
52	201346	HOSE ASSY 3/8X420,-8FJX,-8ORB	--
53	201347	CYLINDER-HYD,4X48,2-1/4RD,3000 (SEE PAGE 17-63)	--
54	203386	MANIFOLD ASSY DRAFT COMP	--
55	203391	PLATE-BULKHEAD MOUNT	--
56	171760	HOSE ASSY 3/8 X 32 #8STR-#8-90	--
57	203421	HOSE ASSY 3/8X21 #8STR-#8-90	--
58	203422	HOSE ASSY 3/8X23 #8STR-#8-90	--
59	203424	HOSE ASSY 3/8X26 #8STR-#8-90	--
60	203425	HOSE ASSY 3/8X33 #8STR-#8-90	--
61	203426	HOSE ASSY 3/8X39 #8STR-#8-90	--
62	203429	ACCUMULATOR-PISTON, 122 CI	--
63	203447	VALVE-CHECK, 225 PSI, ASM	--
64	203450	VALVE-LIMIT	--
65	202702-8-8S	ADAPTER #8 O-RING - #8 TUBE	--
66	202702-10-8S	ADAPTER, #10 O-RING #8 TUBE	--
67	202702-12-8S	ADAPTER, #12 O-RING #8 TUBE	--
68	203005-8-8S	ADAPTER,TEE,#8 O-RING-TUBE	--
69	203102-8-8S	ADAPTER,TEE,1/2 #8JICX#8JICSWV	--
70	2061-8-8S	ADAPTER, 45, #8 O-RING-TUBE	--
71	2062-8-8S	ADAPTER, 90, #8 O-RING-TUBE	--
72	2062-10-8S	ADAPTER,90, #10 O-RING-TUBE	--
73	2062-12-8S	ADAPTER,90,#12 O-RING-#8 TUBE	--
74	2071-8-8S	ADAPTER90 #8 FLR SWIVEL #8JIC	--
75	1-397-010301084	HOSE ASSY,1/2X84,SAE 37,STR	--
76	71508988	HOSE ASSY 3/8 X 80	--
77	71509382	HOSE ASSY .38 X 112	--
78	203599	HOSE ASSY 1/2X 47,-8FJX,-8FJX	--

### 35' Hydraulic Diagram (AFTER 03/01/2018)

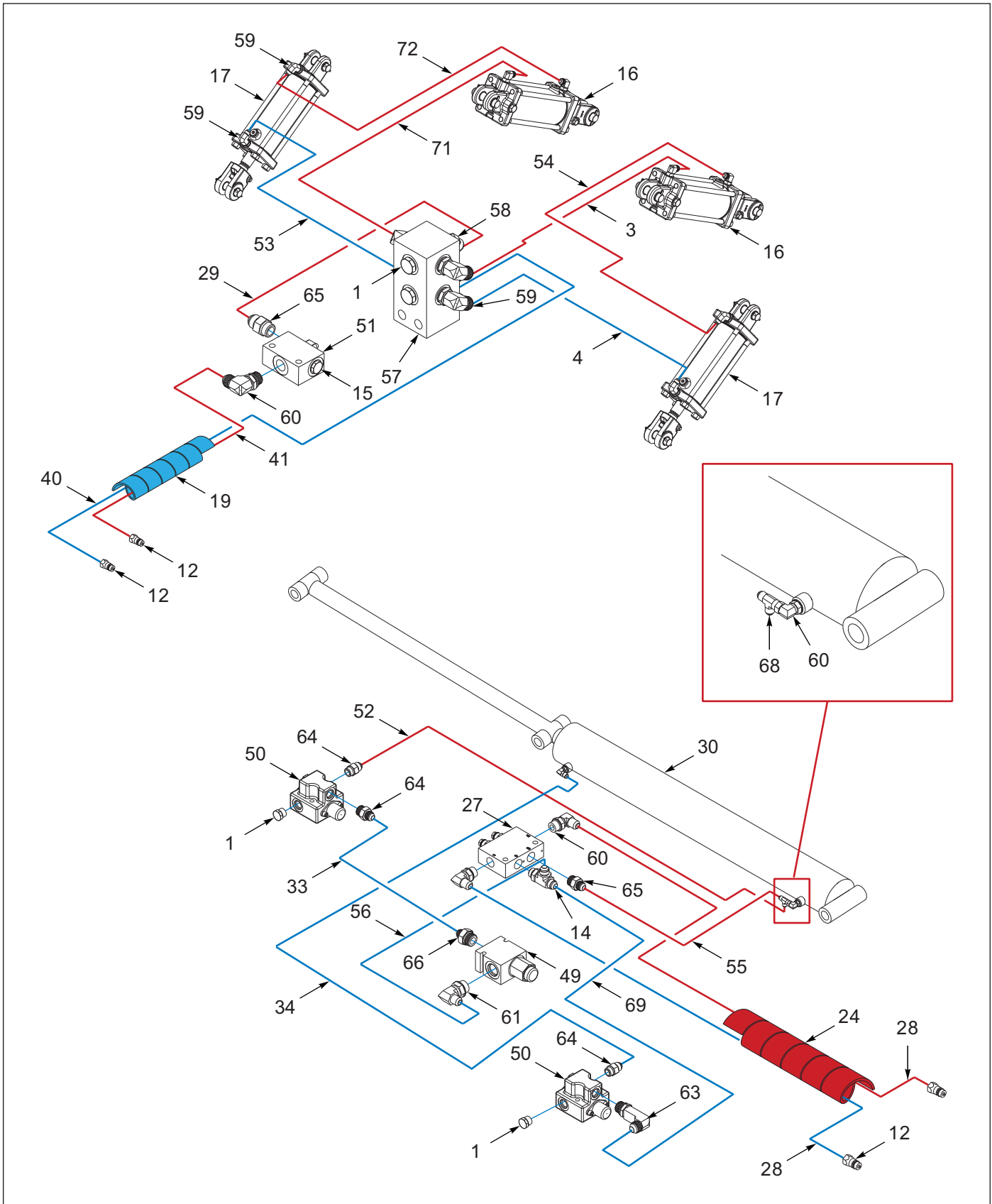


Figure 17-23: 35' Front Gauge and Tilt Diagram (AFTER 03/01/2018) (1 of 4)

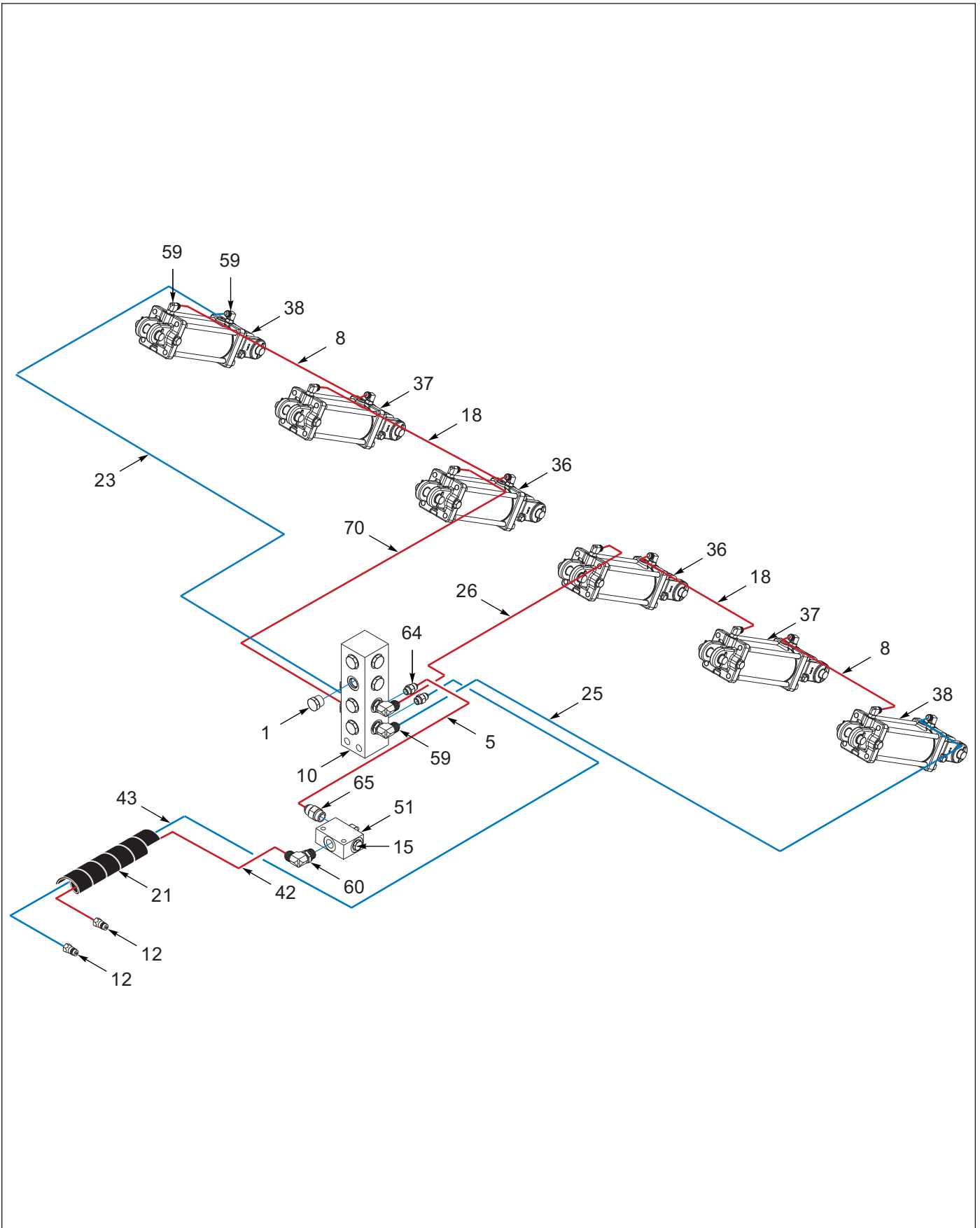


Figure 17-24: 35' Rear Gauge Diagram (AFTER 03/01/2018) (2 of 4)



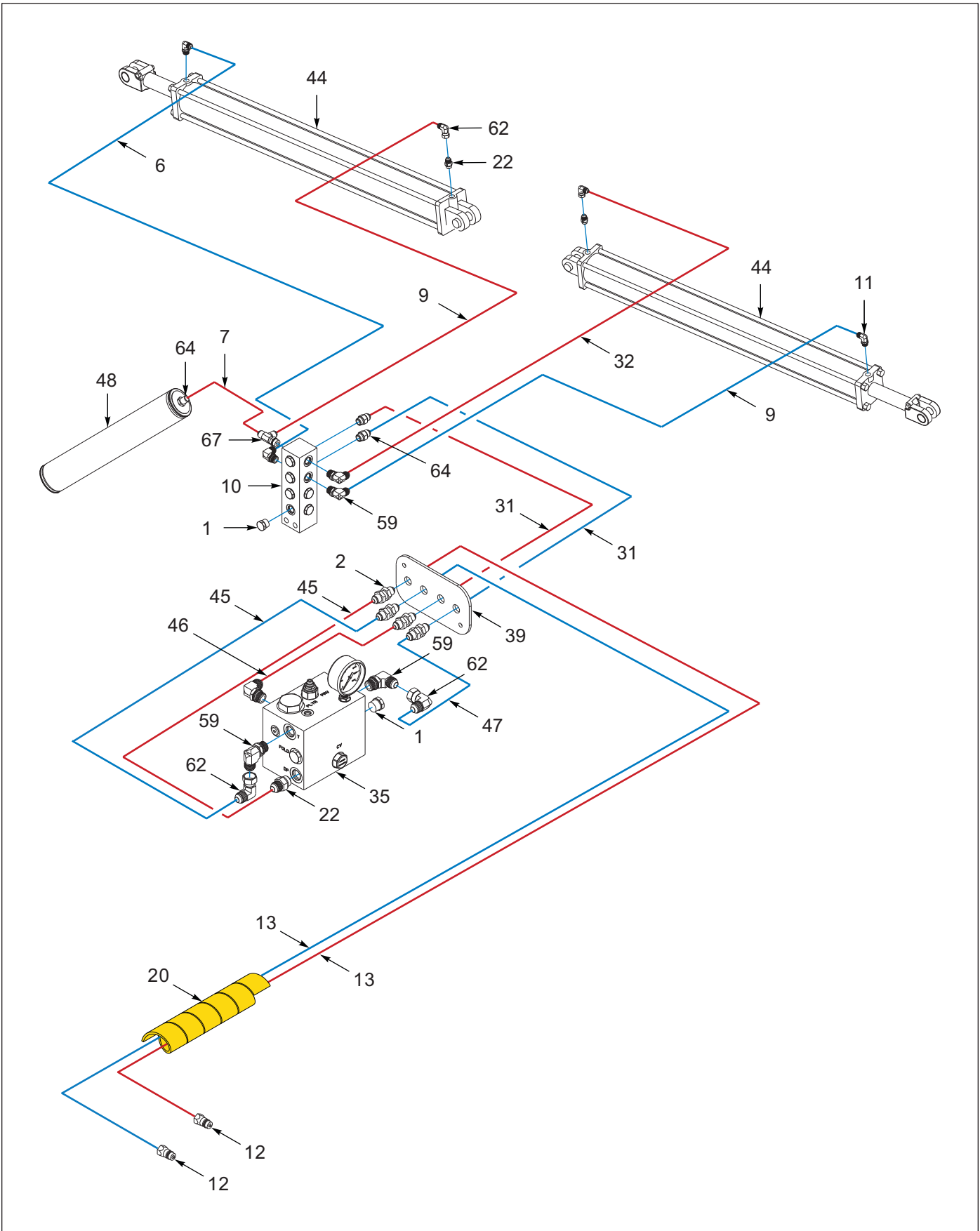


Figure 17-25: 35' Wing Fold and Down Diagram (03/01/18 - 12/05/20) (3 of 4)

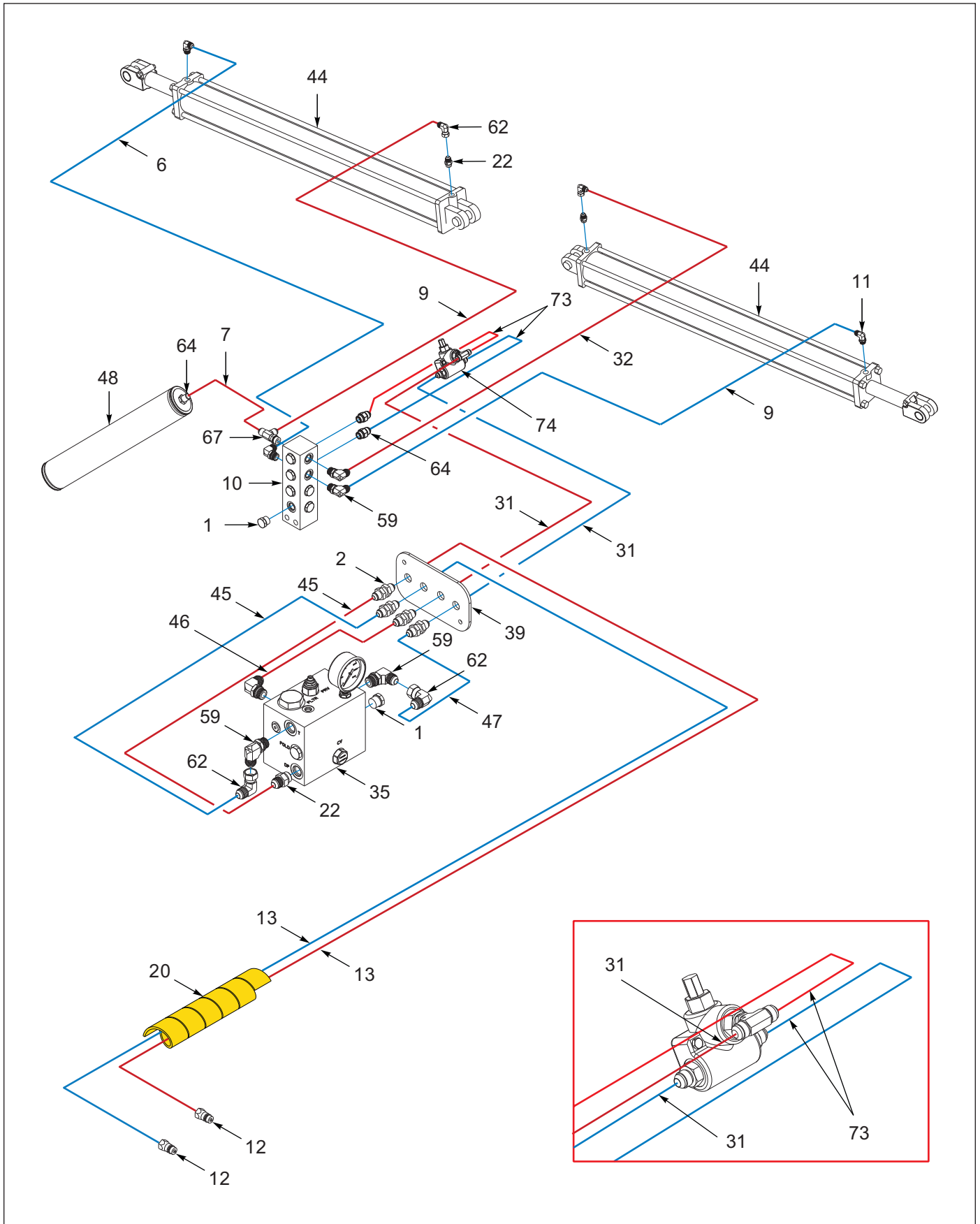


Figure 17-26: 35' Wing Fold and Down Diagram (AFTER 12/15/2020) (4 of 4)

## 35' Hydraulic Diagram (AFTER 03/01/2018)

ITEM	PART NUMBER	DESCRIPTION	QTY.
1	1-007-010025	PLUG, 3/4-16 O-RING BOSS	--
2	102-0322	37 FLARE BULKHEAD/37 FLARE	--
3	116432	HOSE ASSY, 3/8X60 #8 JIC SWV	--
4	116437	HOSE ASSY, 3/8X267 #8 JIC SW ( <b>BEFORE 02/01/2020</b> )	--
4	180117	HOSE ASSY, 3/8X275, #8JIC SWIV ( <b>AFTER 02/01/2020</b> )	--
5	116491	HOSE ASSY 3/8X96 #8 JIC SW	--
6	117260	HOSE ASSY 3/8X156 #8JIC	--
7	123066	HOSE ASSY 3/8X64 #8STR-#8-90	--
8	137598	HOSE ASSY #6 .38X123.25HIPRES	--
9	137599	HOSE ASSY 3/8X126.25 #8JIC SWV	--
10	141594	MANIFOLD, HYDRAULIC 16 PORT	--
11	141826	ELBOW 90 1/16 RES	--
12	141828	COUPLER,MALE 3/4-16 O-RING	--
13	141888	HOSE ASSY 3/8X320 #8JICX#8OR	--
14	143852	ADAPTER TEE #10ORB #10JIC	--
15	143853	PLUG #10 M ORB HEX SOCKET	--
16	145200	CYLINDER 4-1/2 X 8 REPHASE ( <b>BEFORE 01/03/2020</b> ) ( <b>SEE PAGE 17-56</b> )	--
16	223374	CYLINDER, 4-1/2 X 10, REPHASE ( <b>AFTER 01/03/2020</b> ) ( <b>SEE PAGE 17-66</b> )	--
17	145201	CYLINDER 4 X 8 REPHASE ( <b>BEFORE 01/03/2020</b> )( <b>SEE PAGE 17-57</b> )	--
17	201275	CYLINDER, 4 X 10 REPHASE ( <b>AFTER 01/03/2020</b> )( <b>SEE PAGE 17-59</b> )	--
18	153620	HOSE ASSY 3/8X140 #8 JIC SWIV	--
19	155528	HOSE WRAP, BLUE 1" ID X 8"	--
20	155529	HOSE WRAP, YELLOW 1" ID X 8"	--
21	155530	HOSE WRAP, BLACK 1" ID X 8"	--
22	162671	CHECK VALVE W/ORIFICE	--
23	164309	HOSE ASSY 3/8X300 #8JIC SWIV	--
24	172973	HOSE WRAP, RED	--
25	180117	HOSE ASSY, 3/8X275, #8JIC SWIV	--
26	181801	HOSE ASSY, 3/8x58 #8 JIC SWIV	--
27	184585	VALVE,DUAL COUNTER BALANCE,30G	--
28	188845	HOSE ASSY,1/2X 362,-8FJX/-8ORB	--
29	192481	HOSE ASSY 3/8 X 88	--
30	199920	CYLINDER-HYDR, 8X60, 3000PSI ( <b>SEE PAGE 17-65</b> )	--
31	1413183	HOSE ASSY #6 .38X103.25HIPRES	--
32	1413184	HOSE ASSY #6 .38X106.25HIPRES	--
33	1-397-010302042	HOSE ASSY,1/2X42,SAE37,STR-90	--
34	1-397-010301084	HOSE ASSY,1/2X84,SAE 37,STR	--
35	200743	MANIFOLD ASSY VALVE DOWN PRESS	--
36	201275	CYLINDER, 4 X 10 REPHASE ( <b>SEE PAGE 17-59</b> )	--
37	201276	CYLINDER, 3.75 X 10 REPHASE ( <b>SEE PAGE 17-59</b> )	--
38	201277	CYLINDER, 3.5 X 10 REPHASE ( <b>SEE PAGE 17-59</b> )	--
39	203391	PLATE-BULKHEAD MOUNT	--
40	201341	HOSE ASSY, 3/8X350,-8FJX,-8ORB	--
41	201342	HOSE ASSY, 3/8X375,-8FJX,-8ORB	--
42	201344	HOSE ASSY, 3/8X460,-8FJX,-8ORB	--
43	201346	HOSE ASSY 3/8X420,-8FJX,-8ORB	--
44	201347	CYLINDER-HYD,4X48,2-1/4RD,3000 ( <b>SEE PAGE 17-63</b> )	--

## 35' Hydraulic Diagram (AFTER 03/01/2018)

ITEM	PART NUMBER	DESCRIPTION	QTY.
45	203424	HOSE ASSY 3/8X26 #8STR-#8-90	--
46	203425	HOSE ASSY 3/8X33 #8STR-#8-90	--
47	203426	HOSE ASSY 3/8X39 #8STR-#8-90	--
48	203429	ACCUMULATOR-PISTON, 122 CI	--
49	203447	VALVE-CHECK, 225 PSI, ASM	--
50	203450	VALVE-LIMIT	--
51	140693	VALVE, LIMIT (BEFORE 03/01/2018)	--
51	203467	VALVE-LIMIT, STROKE (AFTER 03/01/2018)	--
52	203566	HOSE ASM 1/2X93,-8FJX,-8FJX90S	--
53	1-397-010369324	HOSE ASSY,3/8X324, #8 JIC SWV (AFTER 03/01/2018)	--
54	1-397-010369324	HOSE ASSY,3/8X324, #8 JIC SWV (AFTER 03/01/2018)	--
55	203599	HOSE ASSY 1/2X 47,-8FJX,-8FJX	--
56	210861	HOSE ASM1/2X36 -10FJX90S -8FJX	--
57	2-474-010022	MANIFOLD HYDRAULIC, 6 HOSE	--
58	2061-8-8S	ADAPTER, 45, #8 O-RING-TUBE	--
59	2062-8-8S	ADAPTER, 90, #8 O-RING-TUBE	--
60	2062-10-8S	ADAPTER,90, #10 O-RING-TUBE	--
61	2062-12-8S	ADAPTER,90,#12 O-RING-#8 TUBE	--
62	2071-8-8S	ADAPTER90 #8 FLR SWIVEL #8JIC	--
63	206209-8-8S	ADAPTER,90LONG,#8 O-RING-TUBE	--
64	202702-8-8S	ADAPTER #8 O-RING - #8 TUBE	--
65	202702-10-8S	ADAPTER, #10 O-RING #8 TUBE	--
66	202702-12-8S	ADAPTER, #12 O-RING #8 TUBE	--
67	203005-8-8S	ADAPTER,TEE,#8 O-RING-TUBE	--
68	203102-8-8S	ADAPTER,TEE,1/2 #8JICX#8JICSWV	--
69	50002-76	HOSE #8 ASSY 89.25 OAL	--
70	71508988	HOSE ASSY 3/8 X 80	--
71	71509382	HOSE ASSY .38 X 112	--
72	203596	HOSE ASSY 3/8X310,-8FJX,-8FJX (AFTER 03/01/2018)	--
73	117259	HOSE ASSY 3/8X48 #8JIC	--
74	227898	VALVE-RELIEF, 2000 PSI	--

40' Hydraulic Diagram (BEFORE 03/01/2018)

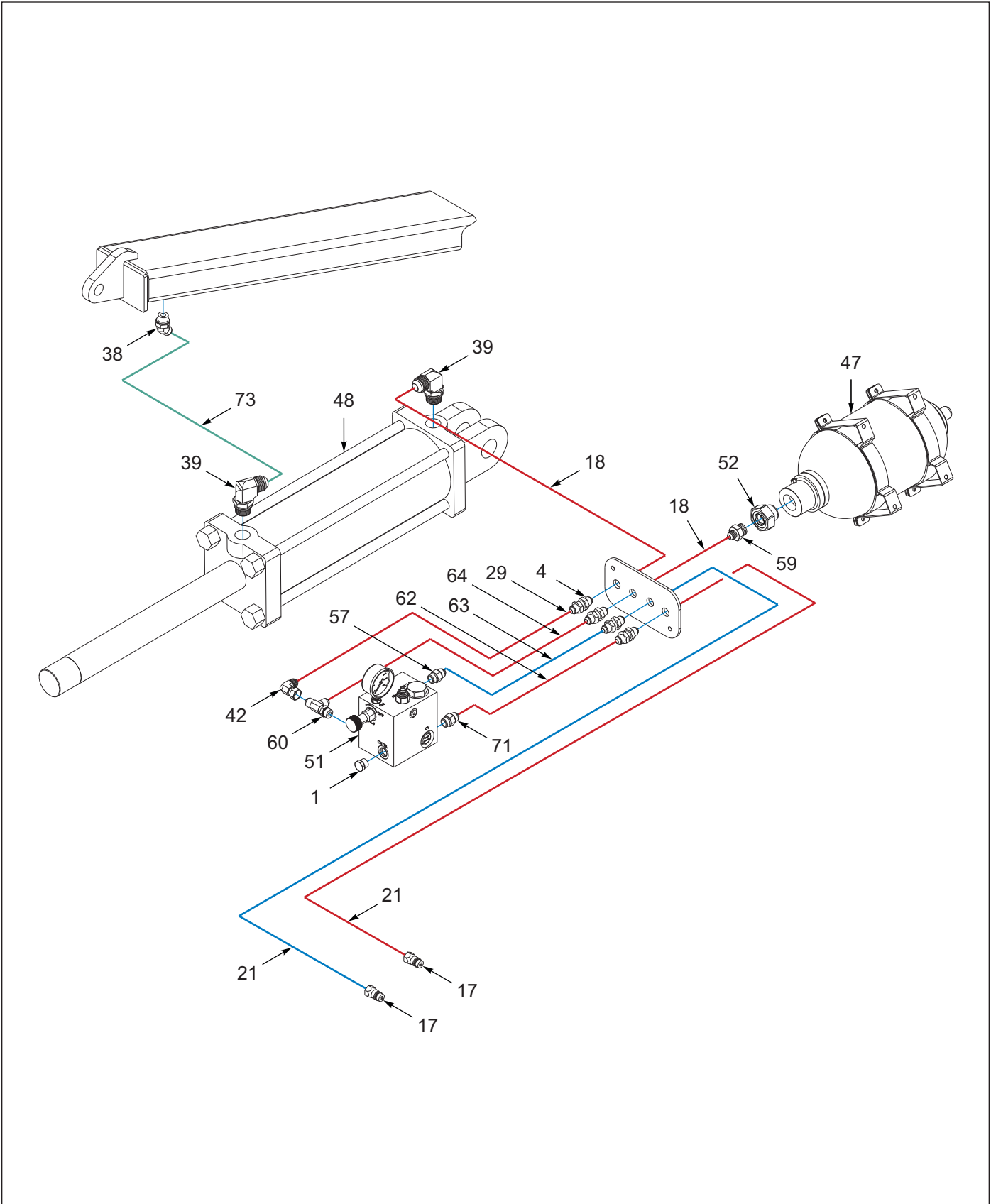


Figure 17-27: 40' Draft Compensator Diagram (BEFORE 03/01/2018) (1 of 4)

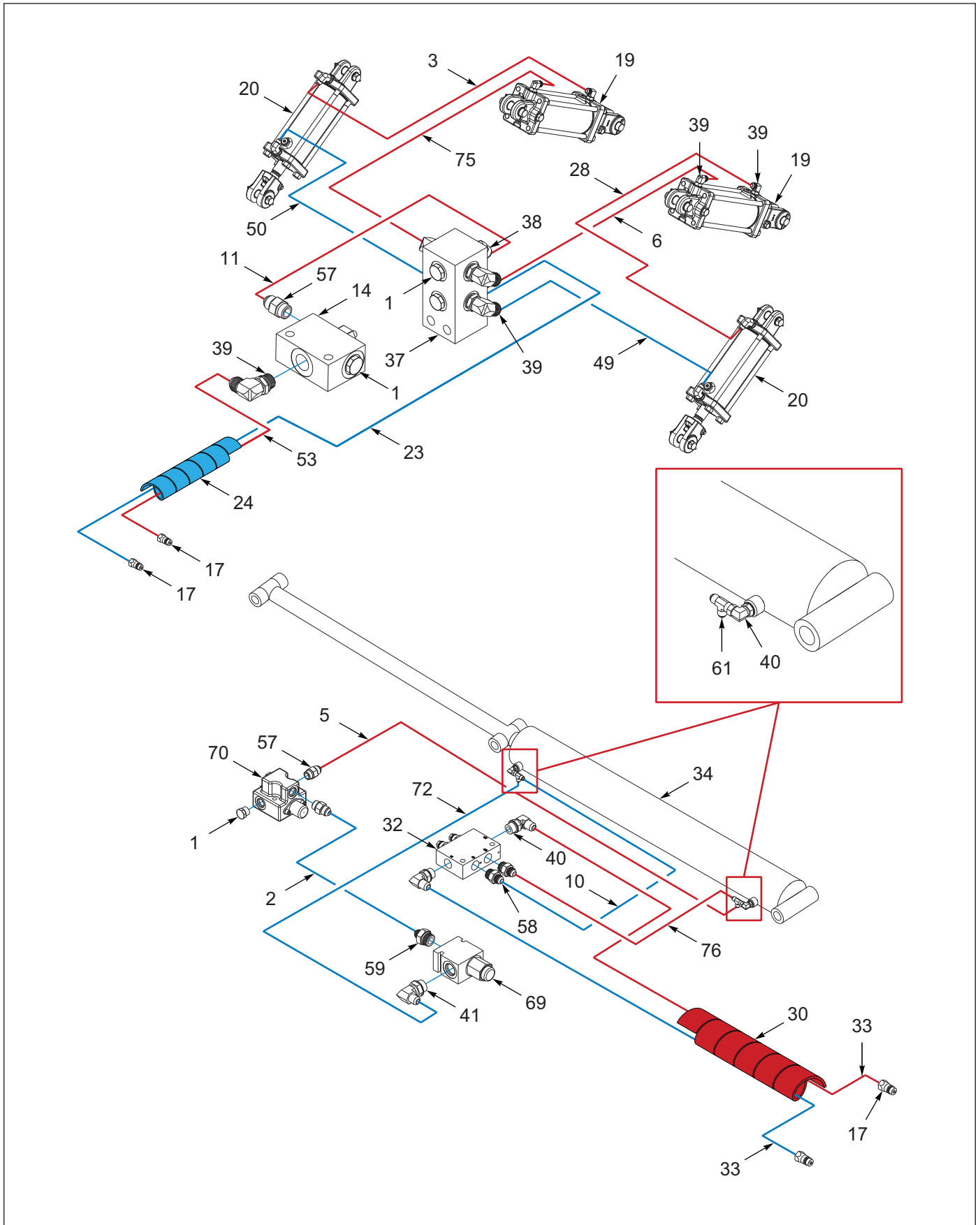


Figure 17-28: 40' Front Gauge and Tilt Diagram (BEFORE 03/01/2018) (2 of 4)





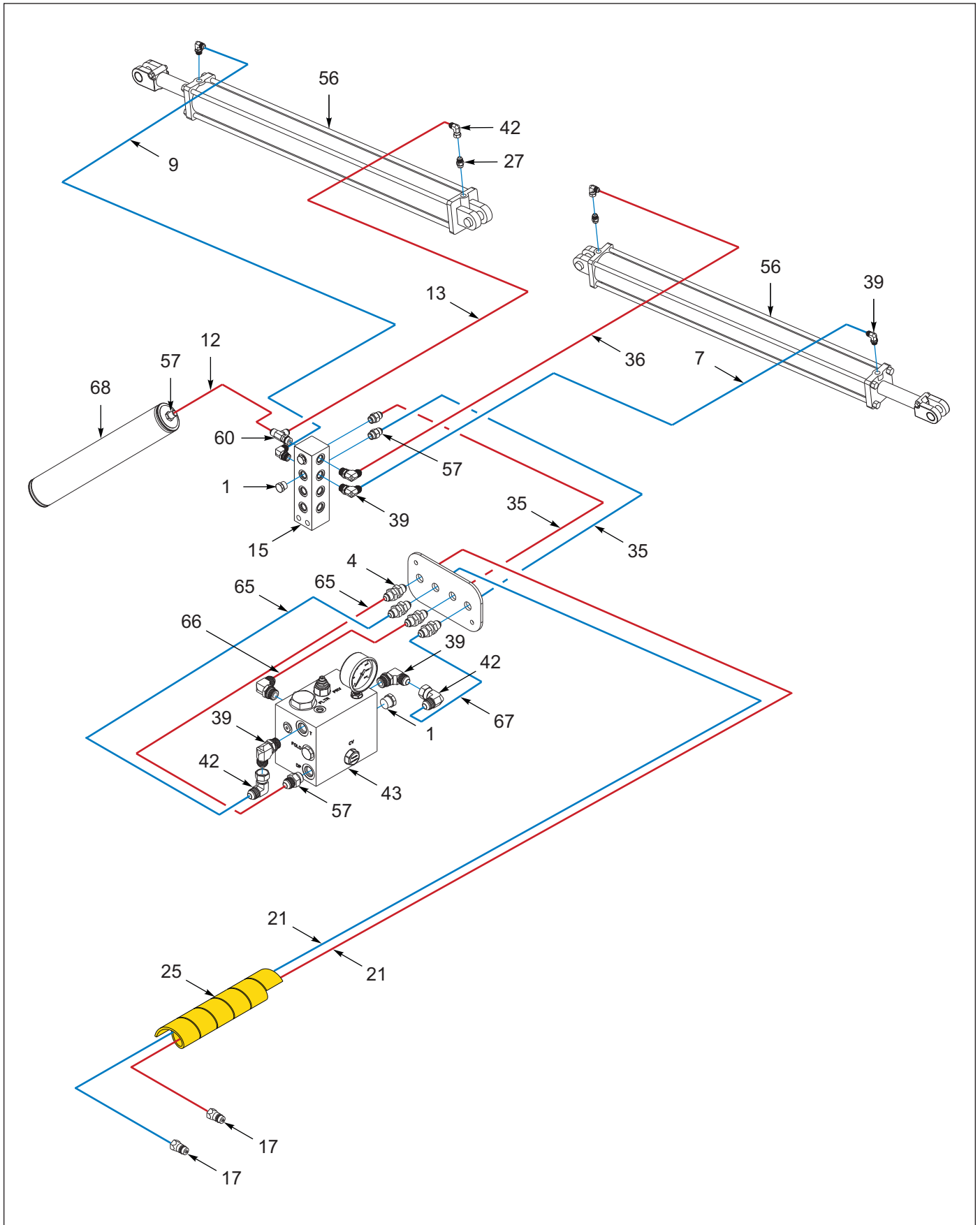


Figure 17-30: 40' Wing Fold and Down Diagram (BEFORE 03/01/2018) (4 of 4)

## 40' Hydraulic Diagram (BEFORE 03/01/2018)

ITEM	PART NUMBER	DESCRIPTION	QTY.
1	1-007-010025	PLUG, 3/4-16 O-RING BOSS	--
2	1-397-010302042	HOSE ASSY,1/2X42,SAE37,STR-90	--
3	1-397-010369324	HOSE ASSY,3/8X324, #8 JIC SWV	--
4	102-0322	37 FLARE BULKHEAD/37 FLARE	--
5	104369	HOSE ASSY 1/2X96,SAE37,STR-90	--
6	116432	HOSE ASSY, 3/8X60 #8 JIC SWV	--
7	116434	HOSE ASSY, 3/8X120 #8 JIC SW	--
8	116491	HOSE ASSY 3/8X96 #8 JIC SW	--
9	117260	HOSE ASSY 3/8X156 #8JIC	--
10	121002	HOSE ASSY1/2X45,SAE37,STR-STR	--
11	122909	HOSE ASSY 3/8X82,#8 JIC SWVL	--
12	123066	HOSE ASSY 3/8X64 #8STR-#8-90	--
13	137599	HOSE ASSY 3/8X126.25 #8JIC SWV	--
14	140693	VALVE, LIMIT	--
15	141594	MANIFOLD, HYDRAULIC 16 PORT	--
16	141826	ELBOW 90 1/16 RES	--
17	141828	COUPLER,MALE 3/4-16 O-RING	--
18	141883	HOSE ASSY 3/8X190 #8 JIC SWIV	--
19	145200	CYLINDER 4-1/2 X 8 REPHASE <b>(BEFORE 01/03/2020)</b> <b>(SEE PAGE 17-56)</b>	--
19	223374	CYLINDER 4-1/2 X 10 REPHASE <b>(AFTER 01/03/2020)</b> <b>(SEE PAGE 17-66)</b>	--
20	145201	CYLINDER 4 X 8 REPHASE <b>(BEFORE 01/03/2020)</b> <b>(SEE PAGE 17-57)</b>	--
20	201275	CYLINDER, 4 X 10 REPHASE <b>(AFTER 01/03/2020)</b> <b>(SEE PAGE 17-59)</b>	--
21	150272	HOSE ASSY3/8X362#8JICX#8O-RNG	--
22	153620	HOSE ASSY 3/8X140 #8 JIC SWIV	--
23	153622	HOSE ASSY 3/8X385 #8JICX#8OR	--
24	155528	HOSE WRAP, BLUE 1" ID X 8"	--
25	155529	HOSE WRAP, YELLOW 1" ID X 8"	--
26	155530	HOSE WRAP, BLACK 1" ID X 8"	--
27	162671	CHECK VALVE W/ORIFICE	--
28	164308	HOSE ASSY,3/8X285 #8JIC SWIV	--
29	171760	HOSE ASSY 3/8 X 32 #8STR-#8-90	--
30	172973	HOSE WRAP, RED	--
31	181801	HOSE ASSY, 3/8x58 #8 JIC SWIV	--
32	184585	VALVE,DUAL COUNTER BALANCE,30G	--
33	188850	HOSE ASSY, 1/2X412,-8FJX/-8ORB	--
34	199920	CYLINDER-HYDR, 8X60, 3000PSI <b>(SEE PAGE 17-65)</b>	--
35	1413183	HOSE ASSY #6 .38X103.25HIPRES	--
36	1413184	HOSE ASSY #6 .38X106.25HIPRES	--
37	2-474-010022	MANIFOLD ASSY, HYDR 6 HOSE	--
38	2061-8-8S	ADAPTER, 45, #8 O-RING-TUBE	--
39	2062-8-8S	ADAPTER, 90, #8 O-RING-TUBE	--
40	2062-10-8S	ADAPTER,90, #10 O-RING-TUBE	--
41	2062-12-8S	ADAPTER,90,#12 O-RING-#8 TUBE	--
42	2071-8-8S	ADAPTER90 #8 FLR SWIVEL #8JIC	--
43	200743	MANIFOLD ASSY VALVE DOWN PRESS	--
44	201275	CYLINDER, 4 X 10 REPHASE <b>(SEE PAGE 17-59)</b>	--
45	201276	CYLINDER, 3.75 X 10 REPHASE <b>(SEE PAGE 17-59)</b>	--

## 40' Hydraulic Diagram (BEFORE 03/01/2018)

ITEM	PART NUMBER	DESCRIPTION	QTY.
46	201277	CYLINDER, 3.5 X 10 REPHASE (SEE PAGE 17-59)	--
47	201284	ACCUMULATOR-BLADR,10 L,3000PSI	--
48	201292	CYLINDER-HYD,3-1/2 X10,3000PSI (SEE PAGE 17-61)	--
49	201311	HOSE ASSY 3/8X350,-8FJX,-8FJX	--
50	201312	HOSE ASSY 3/8X375,-8FJX,-8FJX	--
51	201315	MANIFOLD ASSY DRAFT COMP (BEFORE 08/12/2016)	--
51	203386	MANIFOLD ASSY DRAFT COMP (AFTER 08/12/2016)	--
52	201331	ADAPTER, O-RING REDUCR,-24X-12	--
53	201343	HOSE ASSY, 3/8X395,-8FJX,-8ORB	--
54	201344	HOSE ASSY, 3/8X460,-8FJX,-8ORB	--
55	201345	HOSE ASSY 3/8X512,-8FJX,-8ORB	--
56	201347	CYLINDER-HYD,4X48,2-1/4RD,3000 (SEE PAGE 17-63)	--
57	202702-8-8S	ADAPTER #8 O-RING - #8 TUBE	--
58	202702-10-8S	ADAPTER, #10 O-RING #8 TUBE	--
59	202702-12-8S	ADAPTER, #12 O-RING #8 TUBE	--
60	203005-8-8S	ADAPTER,TEE,#8 O-RING-TUBE	--
61	203102-8-8S	ADAPTER,TEE,1/2 #8JICX#8JICSWV	--
62	203421	HOSE ASSY 3/8X21 #8STR-#8-90	--
63	203422	HOSE ASSY 3/8X23 #8STR-#8-90	--
64	203423	HOSE ASSY 3/8X29 #8STR-#8-90	--
65	203424	HOSE ASSY 3/8X26 #8STR-#8-90	--
66	203425	HOSE ASSY 3/8X33 #8STR-#8-90	--
67	203426	HOSE ASSY 3/8X39 #8STR-#8-90	--
68	203429	ACCUMULATOR-PISTON, 122 CI	--
69	203447	VALVE-CHECK, 225 PSI, ASM	--
70	203450	VALVE-LIMIT	--
71	4K607	RESTRICTOR 3/4-16	--
72	50976-26	HOSE #8 ASSY 48 OAL	--
73	71508985	HOSE ASSY .38 X 30	--
74	71508988	HOSE ASSY 3/8 X 80	--
75	71509382	HOSE ASSY .38 X 112	--
76	71600087	HOSE ASSY 1/2X48 SAE37 STR	--
77	71600089	HOSE ASSY 3/8 X 295IN	--

40' Hydraulic Diagram (AFTER 03/01/2018)

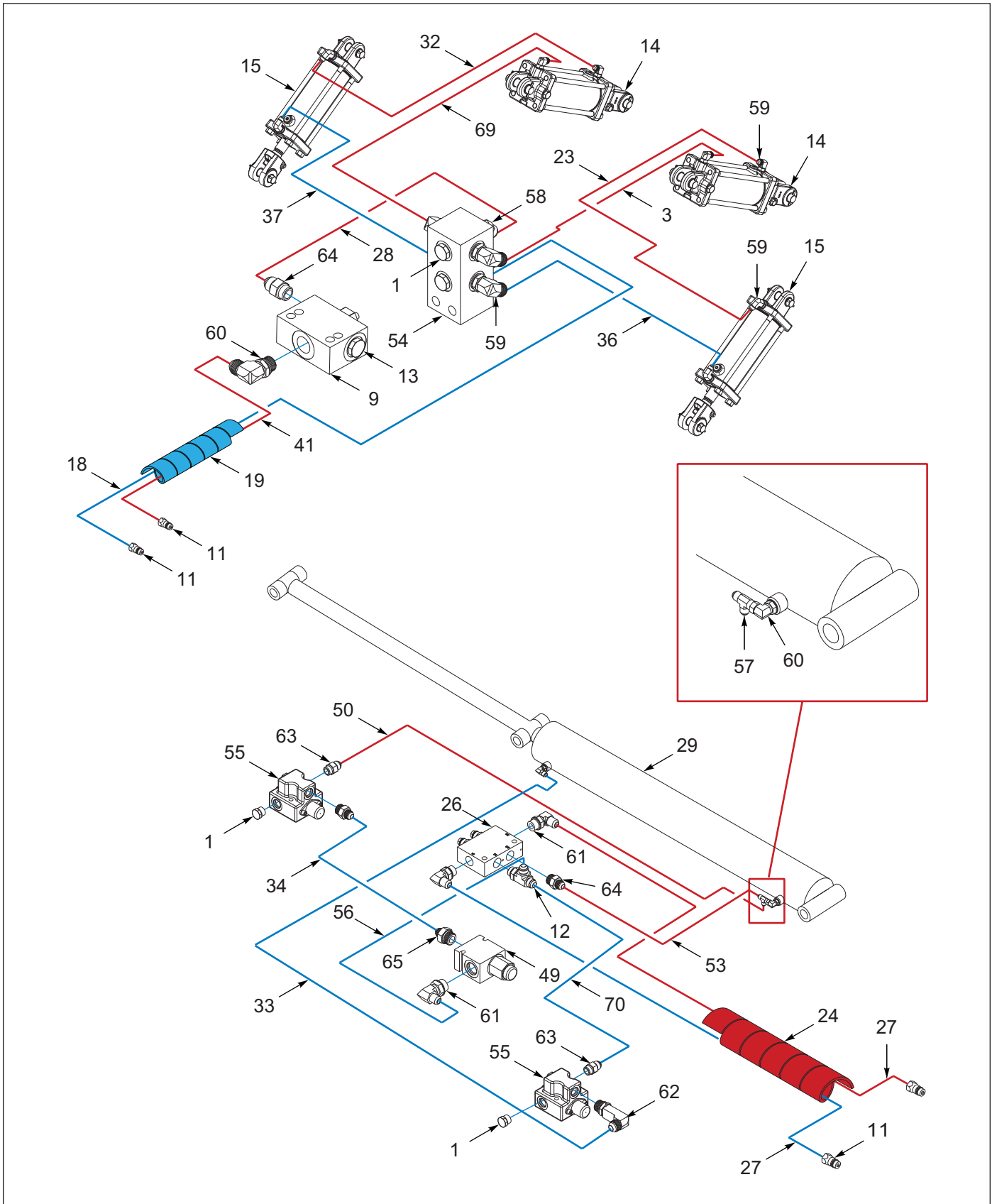


Figure 17-31: 40' Front Gauge and Tilt Diagram (AFTER 03/01/2018) (1 of 4)



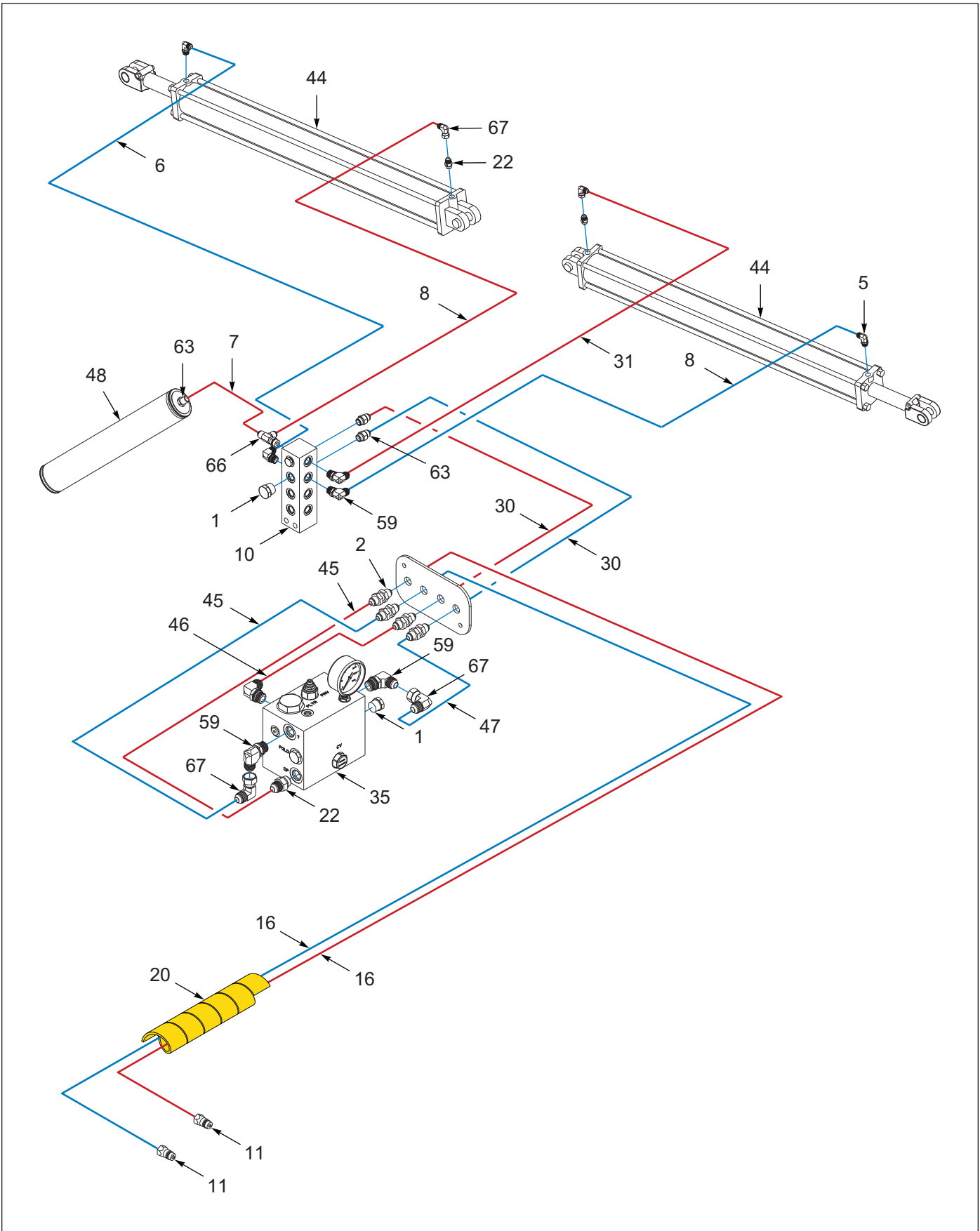


Figure 17-33: 40' Wing Fold Down Diagram (03/01/18 - 12/05/20) (3 of 4)

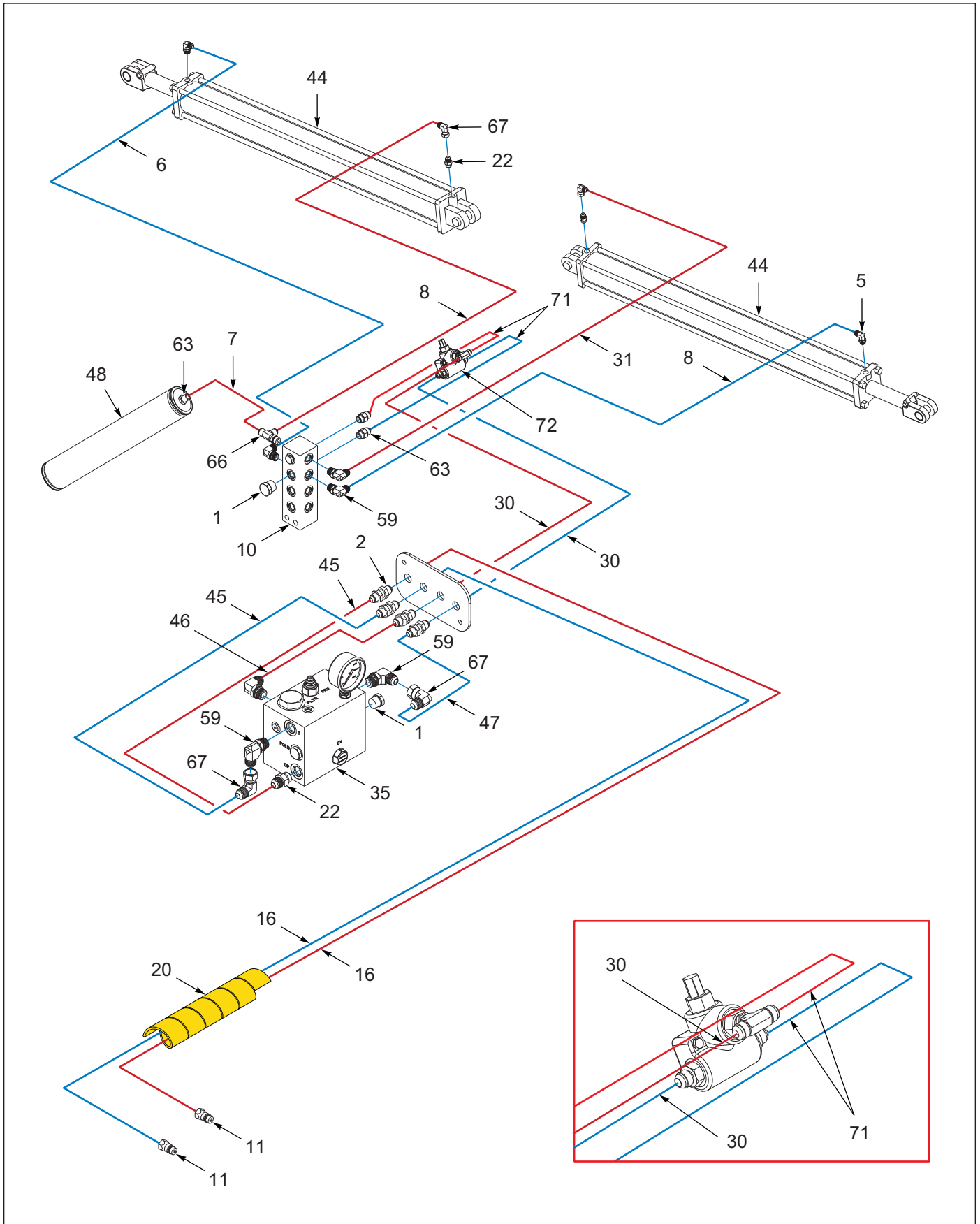


Figure 17-34: 40' Wing Fold Down Diagram (AFTER 12/15/2020) (4 of 4)

## 40' Hydraulic Diagram (AFTER 03/01/2018)

ITEM	PART NUMBER	DESCRIPTION	QTY.
1	1-007-010025	PLUG, 3/4-16 O-RING BOSS	--
2	102-0322	37 FLARE BULKHEAD/37 FLARE	--
3	116432	HOSE ASSY, 3/8X60 #8 JIC SWV	--
4	116491	HOSE ASSY 3/8X96 #8 JIC SW	
5	141826	ELBOW 90 1/16 RES	
6	117260	HOSE ASSY 3/8X156 #8JIC	--
7	123066	HOSE ASSY 3/8X64 #8STR-#8-90	--
8	137599	HOSE ASSY 3/8X126.25 #8JIC SWV	--
9	140693	VALVE, LIMIT <b>(BEFORE 03/01/2018)</b>	--
9	203467	VALVE-LIMIT, STROKE <b>(AFTER 03/01/2018)</b>	--
10	141594	MANIFOLD, HYDRAULIC 16 PORT	--
11	141828	COUPLER,MALE 3/4-16 O-RING	--
12	143852	ADAPTER TEE #10ORB #10JIC	
13	143853	PLUG #10 M ORB HEX SOCKET	--
14	145200	CYLINDER 4-1/2 X 8 REPHASE <b>(BEFORE 01/03/2020)</b> <b>(SEE PAGE 17-56)</b>	--
14	223374	CYLINDER 4-1/2 X 10 REPHASE <b>(AFTER 01/03/2020)</b>	--
15	145201	CYLINDER 4 X 8 REPHASE <b>(BEFORE 01/03/2020)</b> <b>(SEE PAGE 17-57)</b>	--
15	201275	CYLINDER, 4 X 10 REPHASE <b>(AFTER 01/03/2020)</b> <b>(SEE PAGE 17-59)</b>	--
16	150272	HOSE ASSY3/8X362#8JICX#8O-RNG	--
17	153620	HOSE ASSY 3/8X140 #8 JIC SWIV	--
18	153622	HOSE ASSY 3/8X385 #8JICX#8OR	
19	155528	HOSE WRAP, BLUE 1" ID X 8"	--
20	155529	HOSE WRAP, YELLOW 1" ID X 8"	--
21	155530	HOSE WRAP, BLACK 1" ID X 8"	--
22	162671	CHECK VALVE W/ORIFICE	--
23	164308	HOSE ASSY,3/8X285 #8JIC SWIV <b>(BEFORE 02/01/2020)</b>	--
23	71600089	HOSE ASSY 3/8 X 295IN <b>(AFTER 02/01/2020)</b>	--
24	172973	HOSE WRAP, RED	--
25	181801	HOSE ASSY, 3/8x58 #8 JIC SWIV	--
26	184585	VALVE,DUAL COUNTER BALANCE,30G	--
27	201253	HOSE ASSY 1/2X425,-8FJX,-8ORB <b>(BEFORE 02/01/2020)</b>	--
27	188846	HOSE ASSY, 1/2X382,-8FJX/-8ORB <b>(AFTER 02/01/2020)</b>	--
28	192481	HOSE ASSY 3/8 X 88	--
29	199920	CYLINDER-HYDR, 8X60, 3000PSI <b>(SEE PAGE 17-65)</b>	--
30	1413183	HOSE ASSY #6 .38X103.25HIPRES	--
31	1413184	HOSE ASSY #6 .38X106.25HIPRES	--
32	1-397-010369324	HOSE ASSY,3/8X324, #8 JIC SWV <b>(BEFORE 02/01/2020)</b>	--
32	201313	HOSE ASSY 3/8X335,-8FJX,-8FJX <b>(AFTER 02/01/2020)</b>	--
33	1-397-010301084	HOSE ASSY,1/2X84,SAE 37,STR	--
34	1-397-010302042	HOSE ASSY,1/2X42,SAE37,STR-90	--
35	200743	MANIFOLD ASSY VALVE DOWN PRESS	--
36	201312	HOSE ASSY 3/8X375,-8FJX,-8FJX <b>(BEFORE 02/01/2020)</b>	
36	166978	HOSE ASSY 3/8X340 #8JIC SWIVL <b>(AFTER 02/01/2020)</b>	--
37	201313	HOSE ASSY 3/8X335,-8FJX,-8FJX <b>(BEFORE 02/01/2020)</b>	--
37	201311	HOSE ASSY 3/8X350,-8FJX,-8FJX <b>(AFTER 02/01/2020)</b>	--
38	201275	CYLINDER, 4 X 10 REPHASE <b>(SEE PAGE 17-59)</b>	--



## 40' Hydraulic Diagram (AFTER 03/01/2018)

ITEM	PART NUMBER	DESCRIPTION	QTY.
39	201276	CYLINDER, 3.75 X 10 REPHASE (SEE PAGE 17-59)	--
40	201277	CYLINDER, 3.5 X 10 REPHASE (SEE PAGE 17-59)	--
41	201343	HOSE ASSY, 3/8X395,-8FJX,-8ORB	--
42	201344	HOSE ASSY, 3/8X460,-8FJX,-8ORB	--
43	201345	HOSE ASSY 3/8X512,-8FJX,-8ORB	--
44	201347	CYLINDER-HYD,4X48,2-1/4RD,3000 (SEE PAGE 17-63)	--
45	203424	HOSE ASSY 3/8X26 #8STR-#8-90	--
46	203425	HOSE ASSY 3/8X33 #8STR-#8-90	--
47	203426	HOSE ASSY 3/8X39 #8STR-#8-90	--
48	203429	ACCUMULATOR-PISTON, 122 CI	--
49	203447	VALVE-CHECK, 225 PSI, ASM	--
50	203566	HOSE ASM 1/2X93,-8FJX,-8FJX90S	--
51	203595	HOSE ASSY 3/8X280,-8FJX,-8FJX	--
52	203596	HOSE ASSY 3/8X310,-8FJX,-8FJX	--
53	203599	HOSE ASSY 1/2X 47,-8FJX,-8FJX	--
54	2-474-010022	MANIFOLD HYDRAULIC, 6 HOSE	--
55	203450	VALVE-LIMIT	--
56	210861	HOSE ASM1/2X36 -10FJX90S -8FJX	--
57	203102-8-8S	ADAPTER,TEE,1/2 #8JICX#8JICSWV	--
58	2061-8-8S	ADAPTER, 45, #8 O-RING-TUBE	--
59	2062-8-8S	ADAPTER, 90, #8 O-RING-TUBE	--
60	2062-10-8S	ADAPTER,90, #10 O-RING-TUBE	--
61	2062-12-8S	ADAPTER,90,#12 O-RING-#8 TUBE	--
62	206209-8-8S	ADAPTER,90LONG,#8 O-RING-TUBE	--
63	202702-8-8S	ADAPTER #8 O-RING - #8 TUBE	--
64	202702-10-8S	ADAPTER, #10 O-RING #8 TUBE	--
65	202702-12-8S	ADAPTER, #12 O-RING #8 TUBE	--
66	203005-8-8S	ADAPTER,TEE,#8 O-RING-TUBE	--
67	2071-8-8S	ADAPTER90 #8 FLR SWIVEL #8JIC	--
68	71508988	HOSE ASSY 3/8 X 80	--
69	71509382	HOSE ASSY .38 X 112	--
70	71600087	HOSE ASSY 1/2X48 SAE37 STR (BEFORE 02/01/2020)	--
70	50002-76	HOSE #8 ASSY 89.25 OAL (AFTER 02/01/2020)	--
71	117259	HOSE ASSY 3/8X48 #8JIC (AFTER 12/15/2020)	--
72	227898	VALVE-RELIEF, 2000 PSI (AFTER 12/15/2020) (SEE FIGURE 2-6)	--



### Hydraulic Cylinder, 4.5" X 8" - 145200

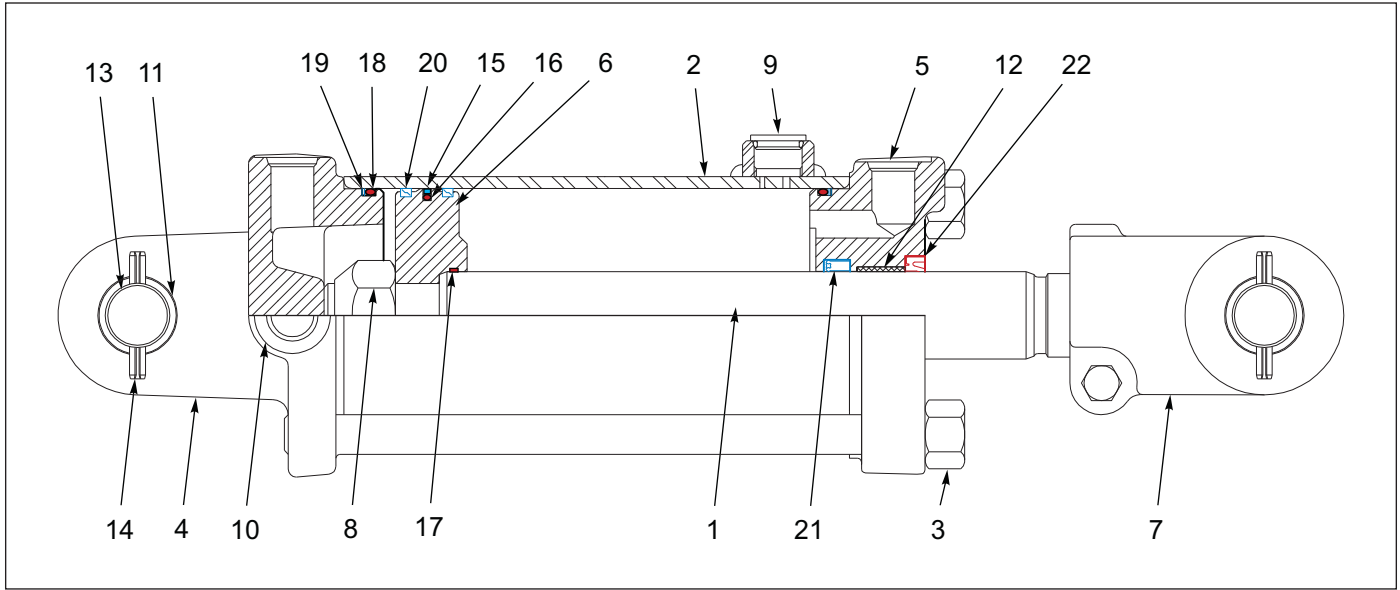


Figure 17-35: Hydraulic Cylinder, 4.5" X 8" - 145200

### Hydraulic Cylinder, 4.5" X 8" - 145200

ITEM	PART NUMBER	DESCRIPTION	QTY.
	145200	CYLINDER 4-1/2 X 8 REPHASE	--
1	----	PISTON ROD	--
2	----	TUBE	--
3	137694	TIEROD ASSEMBLY	4
4	147743	BUTT CLEVIS ASSEMBLY (BEFORE 04/03/2020)	1
4	218641	BUTT CLEVIS ASSEMBLY (AFTER 04/03/2020)	1
5	103153	GLAND ASSEMBLY	1
6	----	PISTON	--
7	137304	CLEVIS ASSEMBLY	1
8	220000211	LOCK NUT	1
9	142115	SHIPPING PLUG	1
10	200300040	PLUG O-RING	3
11	----	BUSHING (BEFORE 11/17/2008)	--
11	135912	BUSHING (AFTER 11/17/2008)	4
12	137702	BUSHING	1
13	----	PIN, CLEVIS (BEFORE 11/17/2008)	--
13	218640	PIN, CLEVIS (AFTER 11/17/2008)	2
14	111789	PIN,ROLL (BEFORE 04/03/2020)	4
14	1-647-010004221	PIN, ROLL (AFTER 04/03/2020)	4
15	208435	PACKING KIT (INCLUDES ITEMS 16-23)	--
16	----	TEFLON SEAL	1
17	----	O-RING	1
18	----	O-RING	1
19	----	O-RING	2
20	----	BU-WASHER	2
21	----	BEARING RING	1
22	----	U-CUP	1
23	----	CANNED WIPER	1

## Hydraulic Cylinder, 4" X 8" - 145201

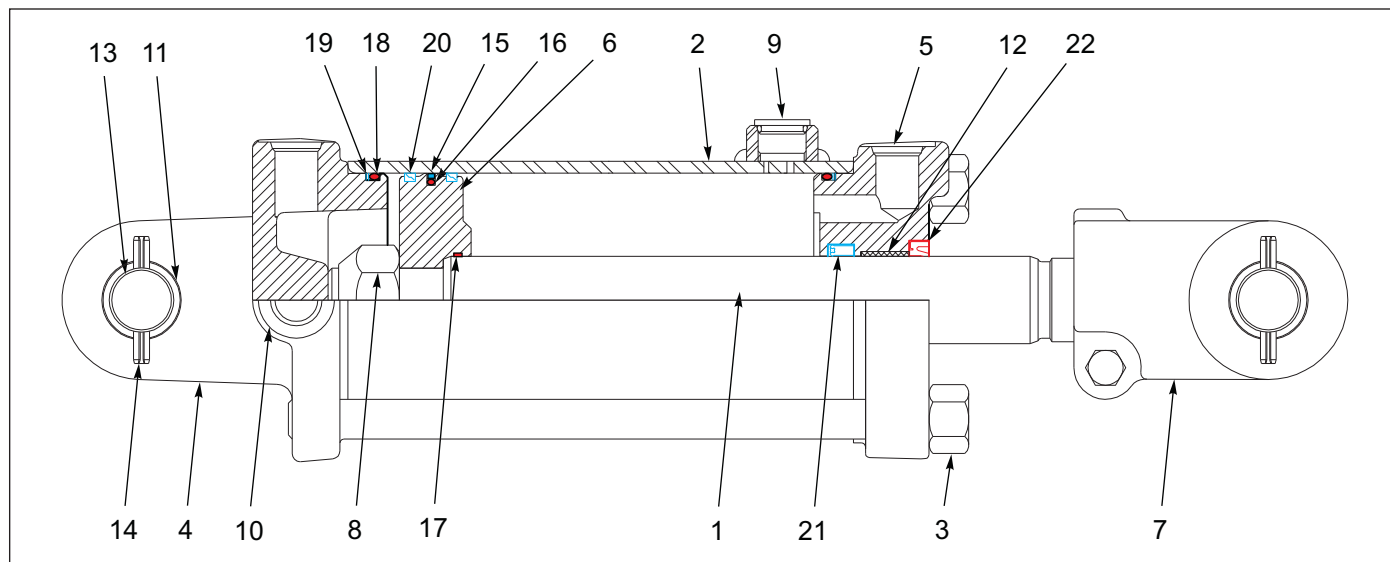


Figure 17-36: Hydraulic Cylinder, 4" X 8" - 145201

## Hydraulic Cylinder, 4" X 8" - 145201

ITEM	PART NUMBER	DESCRIPTION	QTY.
	145201	CYLINDER 4 X 8 REPHASE	--
1	147741	PISTON ROD	1
2	-----	TUBE	1
3	147742	TIEROD ASSEMBLY	4
4	135911	BUTT CLEVIS ASSEMBLY (BEFORE 04/03/2020)	1
4	142114	BUTT CLEVIS ASSEMBLY (AFTER 04/03/2020)	1
5	142109	GLAND ASSEMBLY	1
6	147744	PISTON	1
6	-----	PISTON	--
7	142110	CLEVIS ASSEMBLY	1
8	220000210	LOCK NUT	1
9	142115	SHIPPING PLUG	1
10	200300040	PLUG O-RING	3
11	142112	BUSHING (BEFORE 11/17/2008)	4
11	-----	BUSHING (AFTER 11/17/2008)	4
12	141301	BUSHING	1
13	111790	PIN, CLEVIS (BEFORE 11/17/2008)	2
13	143994	PIN, CLEVIS (AFTER 11/17/2008)	2
14	111789	PIN,ROLL (BEFORE 04/03/2020)	4
14	1-647-010004221	PIN, ROLL (AFTER 04/03/2020)	4
15	147745	PACKING KIT (INCLUDES ITEMS 16-23)	--
16	-----	TEFLON SEAL	1
17	-----	O-RING	1
18	-----	O-RING	1
19	-----	O-RING	2
20	-----	BU-WASHER	2
21	-----	BEARING RING	1
22	-----	U-CUP	1
23	-----	CANNED WIPER	1

### Hydraulic Cylinder, 3.75" X 8" - 145202

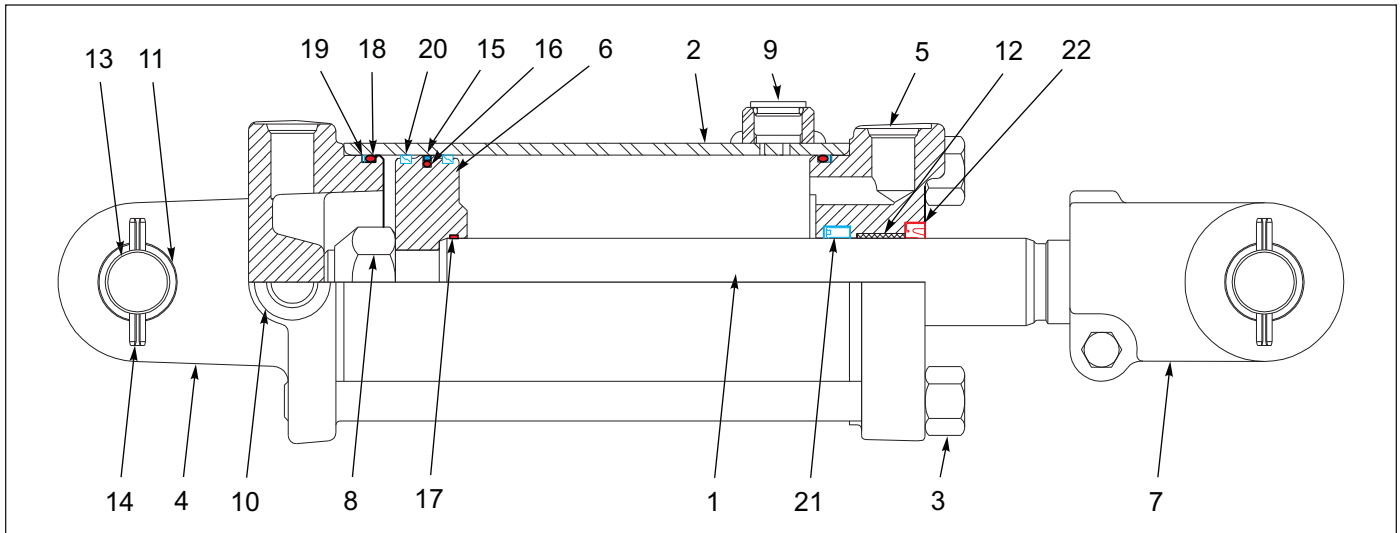


Figure 17-37: Hydraulic Cylinder, 3.75" X 8" - 145202

### Hydraulic Cylinder, 3.75" X 8" - 145202

ITEM	PART NUMBER	DESCRIPTION	QTY.
	145202	CYLINDER 3-3/4 X 8 REPHASE	
1	147741	PISTON ROD	1
2	147746	TUBE ASSEMBLY (BEFORE 04/03/2020)	1
	-----	TUBE ASSEMBLY (AFTER 04/03/2020)	--
3	147742	TIEROD ASSEMBLY	4
4	111876	BUTT CLEVIS ASSEMBLY (BEFORE 04/03/2020)	1
4	142116	BUTT CLEVIS ASSEMBLY (AFTER 04/03/2020)	1
5	111871	GLAND ASSY	1
6	147747	PISTON (BEFORE 04/03/2020)	1
6	-----	PISTON (AFTER 04/03/2020)	--
7	142110	CLEVIS ASSEMBLY	1
8	220000210	LOCK NUT	1
9	142115	SHIPPING PLUG	1
10	200300040	PLUG O-RING 1-242-010120	3
11	142112	BUSHING (BEFORE 11/17/2008)	4
11	-----	BUSHING (AFTER 11/17/2008)	4
12	141301	BUSHING	1
13	111790	PIN,CLEVIS (BEFORE 11/17/2008)	2
13	143994	PIN, CLEVIS (AFTER 11/17/2008)	2
14	111789	PIN,ROLL (BEFORE 04/03/2020)	4
14	1-647-010004221	PIN, ROLL (AFTER 04/03/2020)	4
15	147748	PACKING KIT (INCLUDES 16-23)	--
16	-----	TEFLON SEAL	1
17	-----	O-RING	1
18	-----	O-RING	1
19	-----	O-RING	2
20	-----	BU-WASHER	2
21	-----	BEARING RING	1
22	-----	U-CUP	1
23	-----	CANNED WIPER	1

# Hydraulic Rephase Cylinder, 10"

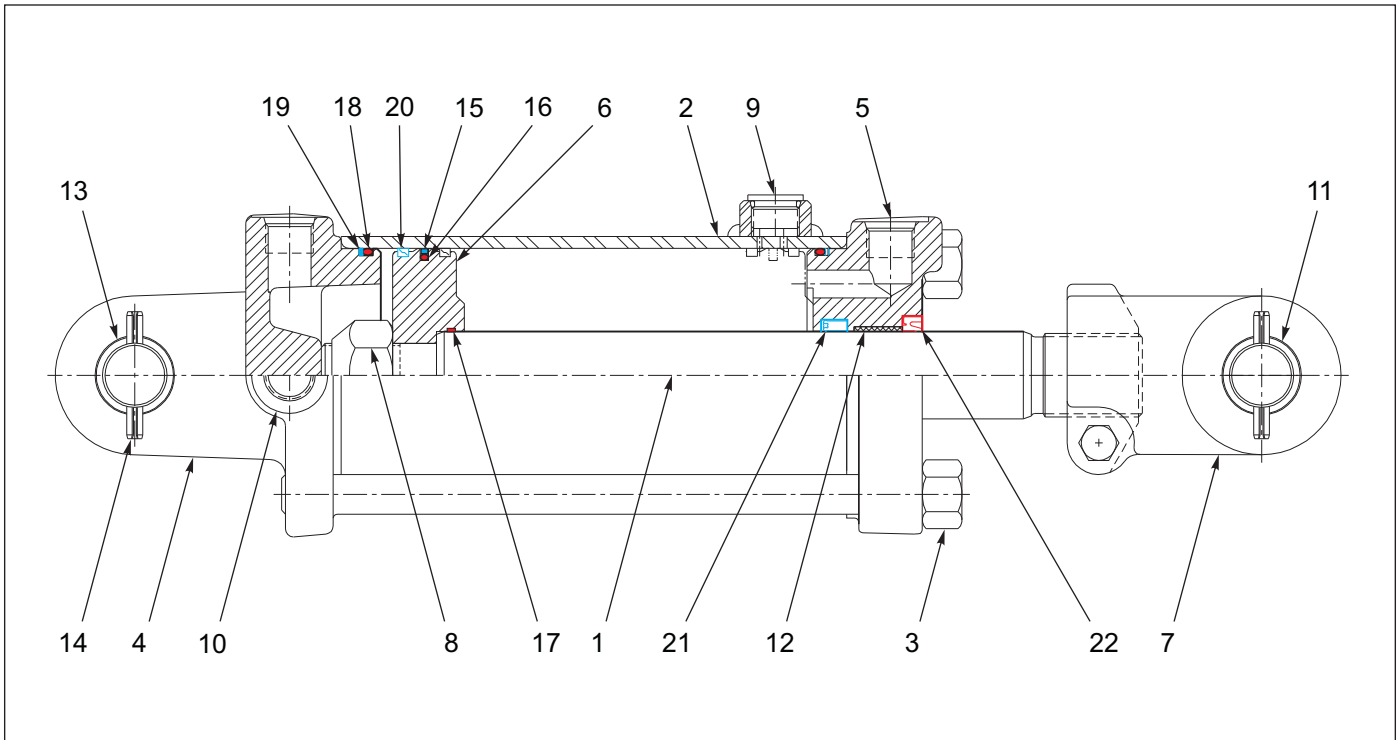


Figure 17-38: Hydraulic Rephase Cylinder, 10"

# Hydraulic Rephase Cylinder, 10"

ITEM	PART NUMBER	DESCRIPTION	QTY.
	201275	CYLINDER, REPHASE (4 X 10) (AFTER 01/03/2020)	--
	201276	CYLINDER, REPHASE (3-3/4 X 10) (AFTER 01/03/2020)	--
	201277	CYLINDER, REPHASE (3-1/2 X 10)	--
1	145714	PISTON ROD (3-3/4 X 10) (4 X 10)	1
1	149860	PISTON ROD (3-1/2 X 10)	1
2	149861	TUBE ASSEMBLY (3-1/2 X 10)	1
3	149862	TIE ROD ASSY (3-1/2 X 10)	4
4	111876	BUTT CLEVIS ASSY (3-3/4 X 10)	1
4	148084	BUTT CLEVIS ASSY (3-1/2 X 10)	1
5	142109	GLAND ASSEMBLY (4 X 10)	1
5	111871	GLAND ASSEMBLY (3-3/4 X 10)	1
5	148085	GLAND ASSEMBLY (3-1/2 X 10)	1
6	147744	PISTON (4 X 10)	1
6	148086	PISTON (3-1/2 X 10)	1
7	140306	CLEVIS ASSY (3-3/4 X 10)	1
8	220000210	LOCK NUT (4 X 10 & 3-3/4 X 10)	1
8	220000209	LOCK NUT (3-1/2 X 10)	1
9	-----	PLUG, PORT	1
10	200300040	PLUG, PORT	3
11	141301	BUSHING	4
12	125566	BUSHING	1
13	143994	CLEVIS PIN	2
14	111789	ROLL PIN	4
15	-----	TEFLON SEAL	1

## Hydraulic Rephase Cylinder, 10"

---

ITEM	PART NUMBER	DESCRIPTION	QTY.
16	-----	O- RING	1
17	-----	O- RING	1
18	-----	O- RING	2
19	111795	BU- WASHER	2
20	-----	BEARING RING	1
21	-----	U- CUP	1
22	250014137	CANNED WIPER	1
23	-----	PACKING KIT (ITEMS 15-22)	--

### Hydraulic Cylinder, 3.5" X 10" - 201292

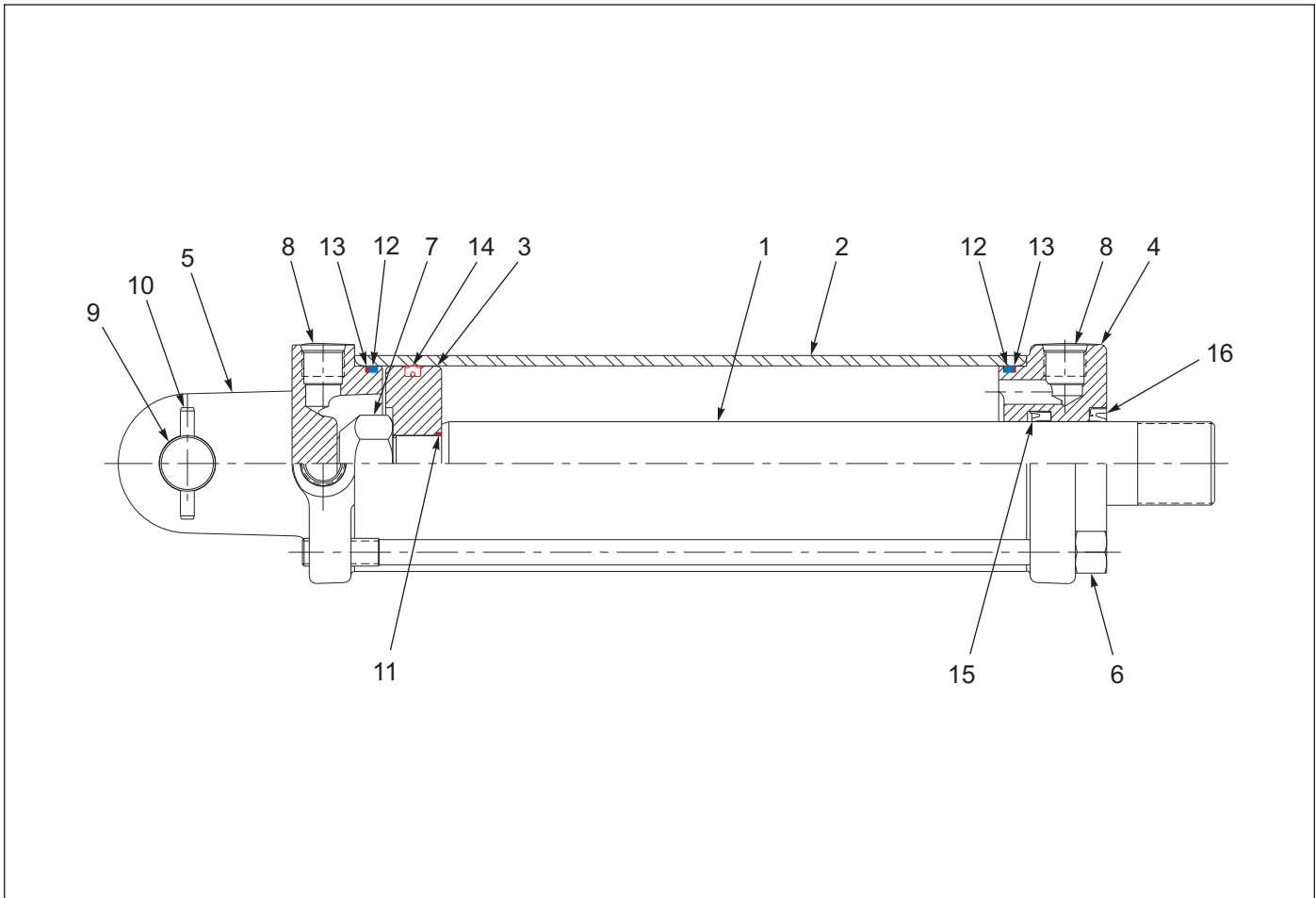


Figure 17-39: Hydraulic Cylinder, 3.5" X 10" - 201292

### Hydraulic Cylinder, 3.5" X 10" - 201292

ITEM	PART NUMBER	DESCRIPTION	QTY.
	201292	CYLINDER, HYDRAULIC 3-1/2 X 10, 3000 PSI	--
1	-----	PISTON ROD	1
2	-----	TUBE	1
3	-----	PISTON	1
4	-----	GLAND	1
5	148084	BUTT CLEVIS	1
6	149862	TIE ROD ASSEMBLY	4
7	220000210	LOCK NUT	1
8	200300040	PLUG, PORT	3
9	143994	CLEVIS PIN	1
10	111789	ROLL PIN	2
11	-----	O-RING	1
12	-----	O-RING	2
13	-----	BU-WASHER	2
14	-----	CROWN SEAL	1
15	-----	U-CUP	1
16	-----	WIPER	1
17	-----	PACKING KIT (ITEMS 11-16)	1



### Hydraulic Cylinder, 4.5" X 8" - 177389

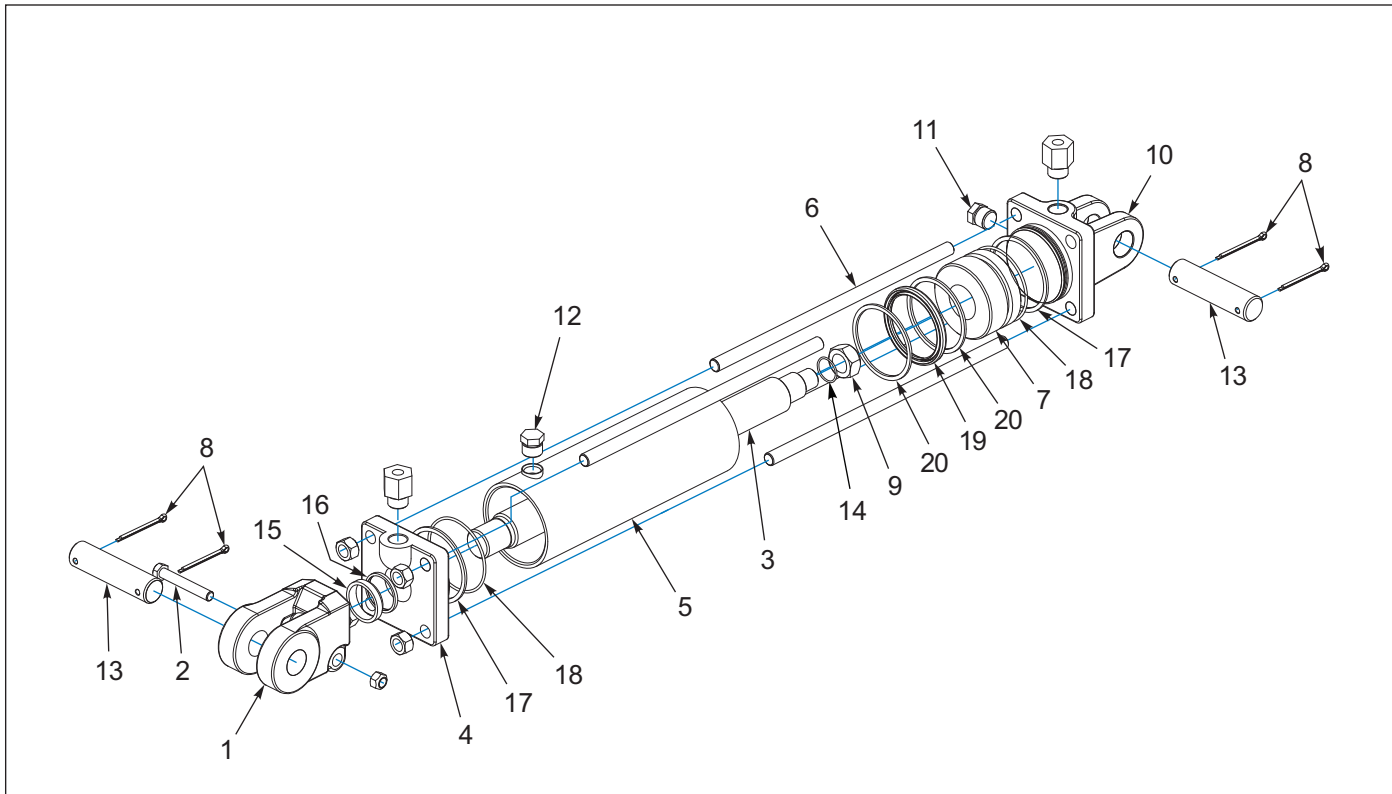


Figure 17-40: Hydraulic Cylinder, 4.5" X 8" - 177389

### Hydraulic Cylinder, 4.5" X 8" - 177389

ITEM	PART NUMBER	DESCRIPTION	QTY.
	177389	CYLINDER, HYDRAULIC 4-1/2 X 8, 3000 PSI	--
1	-----	ROD, END CLEVIS	1
2	-----	CAPSCREW, 3/8-16 NC X 2-1/2	1
3	-----	ROD, PISTON	1
4	-----	GLAND, W/ BUSHING	1
5	-----	TUBE ASSY	1
6	-----	TIE ROD ASSY	4
7	-----	PISTON	1
8	-----	COTTER PIN	4
9	220000210	LOCK NUT	1
10	-----	BASE	1
11	-----	STEEL PLUG, O-RING TYPE	1
12	200300040	PLUG	1
13	-----	CLEVIS PIN	2
14	-----	O-RING	1
15	-----	ROD, WIPER	1
16	-----	U-CUP	1
17	-----	BU-WASHER	2
18	-----	O-RING	2
19	-----	TEFON SEAL	1
20	-----	BEARING RING	2
21	-----	PACKING KIT (ITEMS 13-20)	1

# Hydraulic Cylinder, 4" X 48" - 201347

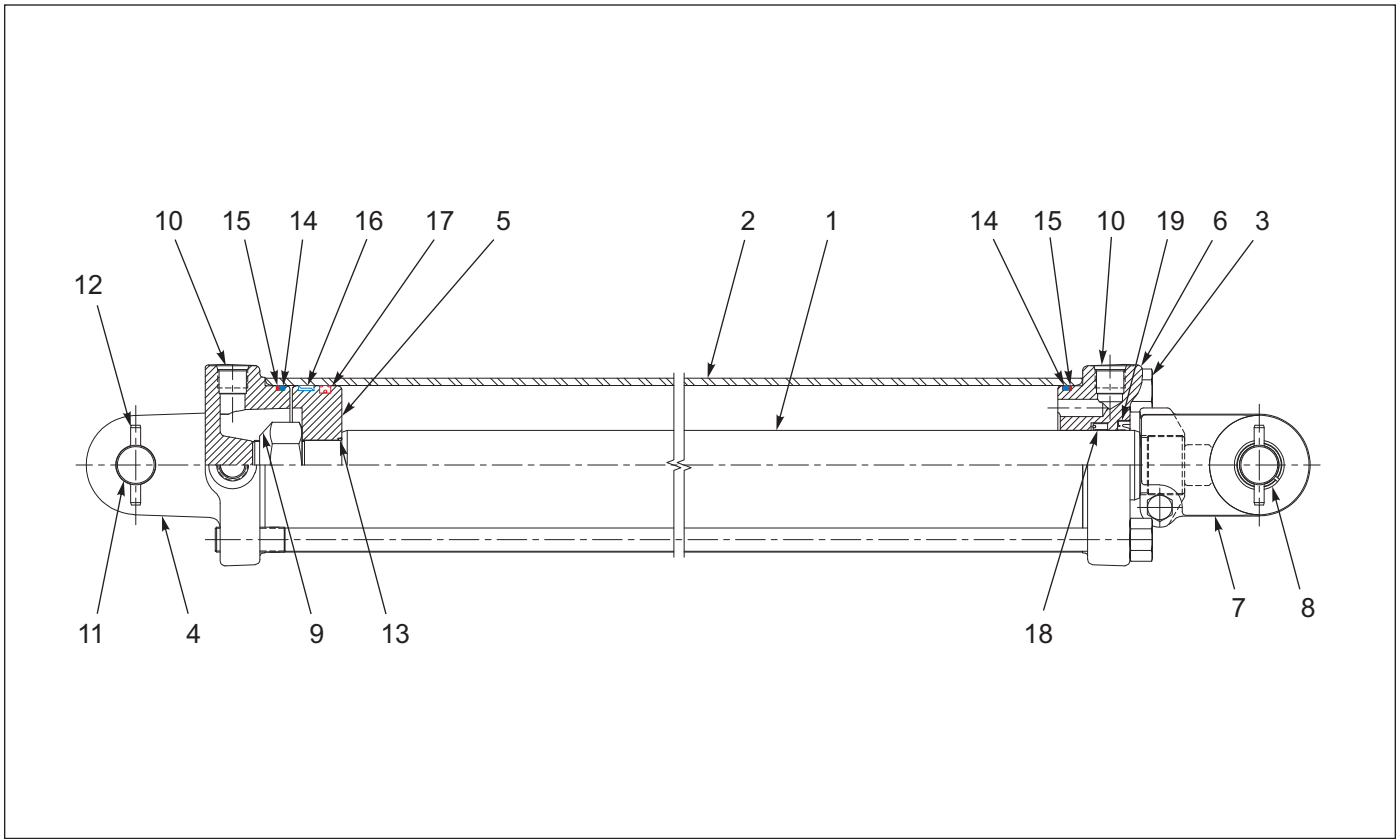


Figure 17-41: Hydraulic Cylinder, 4" X 48" - 201347

# Hydraulic Cylinder, 4" X 48" - 201347

ITEM	PART NUMBER	DESCRIPTION	QTY.
	201347	CYLINDER, HYDRAULIC 4 X 48, 3000 PSI	--
1	-----	PISTON ROD	1
2	-----	TUBE	1
3	-----	TIE ROD ASSY	4
4	147375	BUTT	1
5	111786	PISTON	1
6	147376	GLAND	1
7	154102	CLEVIS ASSY	1
8	113805	BUSHING	2
9	220000212	LOCK NUT	1
10	200300040	SHIPPING PLUG	3
11	-----	CLEVIS PIN	2
12	111789	ROLL PIN	4
13	-----	O- RING	1
14	-----	O- RING	2
15	-----	BU-WASHER	2
16	-----	BEARING RING	1
17	-----	CROWN SEAL	1
18	-----	U-CUP	1
19	-----	WIPER	1
20	-----	PACKING KIT (ITEMS 13-19)	--

**Hydraulic Cylinder, 7" X 60" (25' & 30') - 187436**

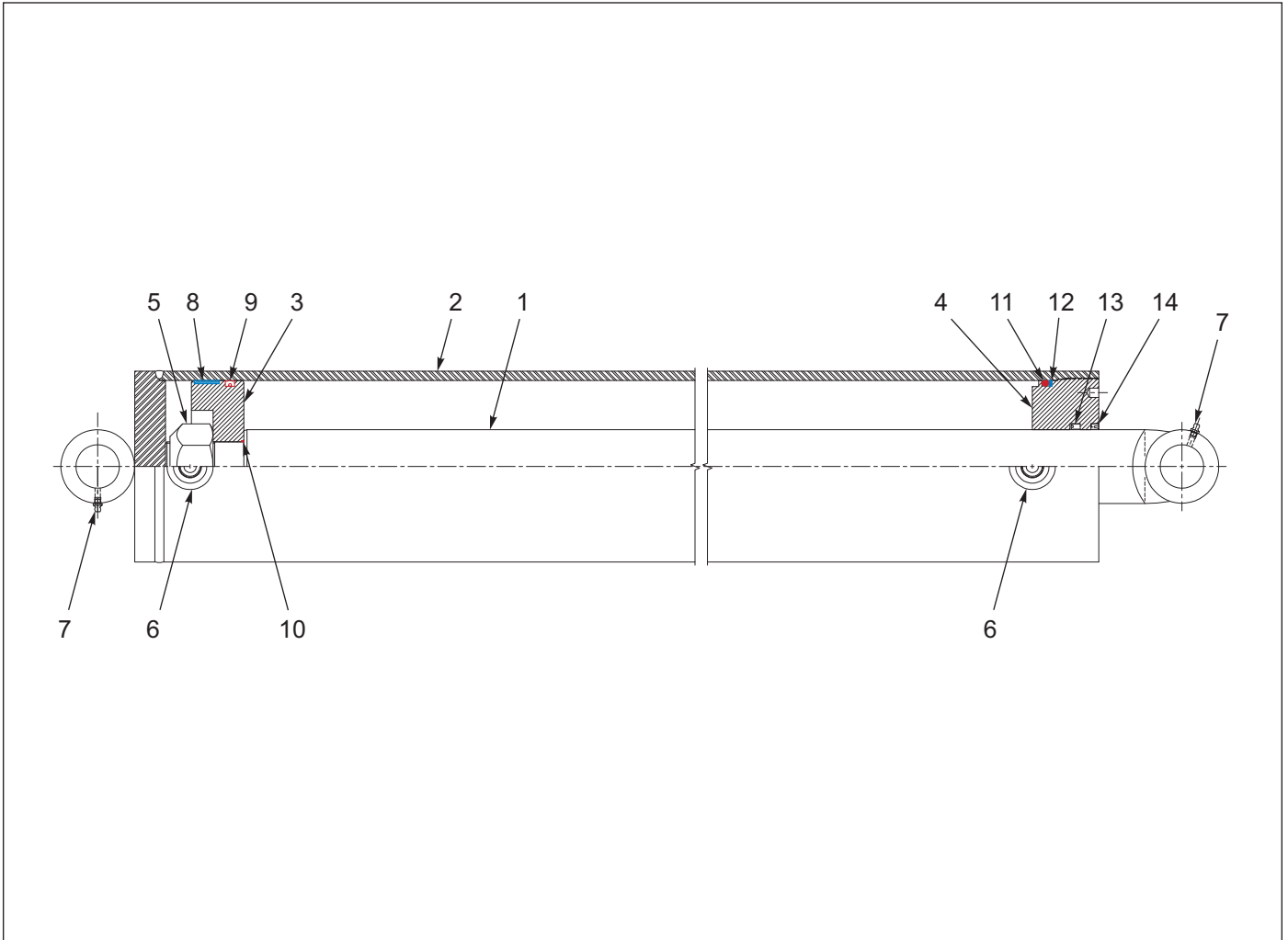


Figure 17-42: Hydraulic Cylinder, 7" X 60" (25' & 30') - 187436

**Hydraulic Cylinder, 7" X 60" (25' & 30') - 187436**

ITEM	PART NUMBER	DESCRIPTION	QTY.
	187436	CYLINDER, HYDRAULIC 7 X 60, WELD 3000 PSI	--
1	-----	PISTON ROD	1
2	-----	BUTT & TUBE ASSY	1
3	-----	PISTON	1
4	-----	GLAND	1
5	116606	LOCK NUT	1
6	148142	PORT PLUG	2
7	-----	GREASE ZERK	2
8	-----	BEARING RING	1
9	-----	CROWN SEAL	1
10	-----	O- RING	1
11	-----	O-RING	1
12	-----	BU-WASHER	1
13	-----	U-CUP	1
14	-----	WIPER	1
15	-----	PACKING KIT (ITEMS 8-14)	

### Hydraulic Cylinder, 8" X 60" (35' & 40') - 199920

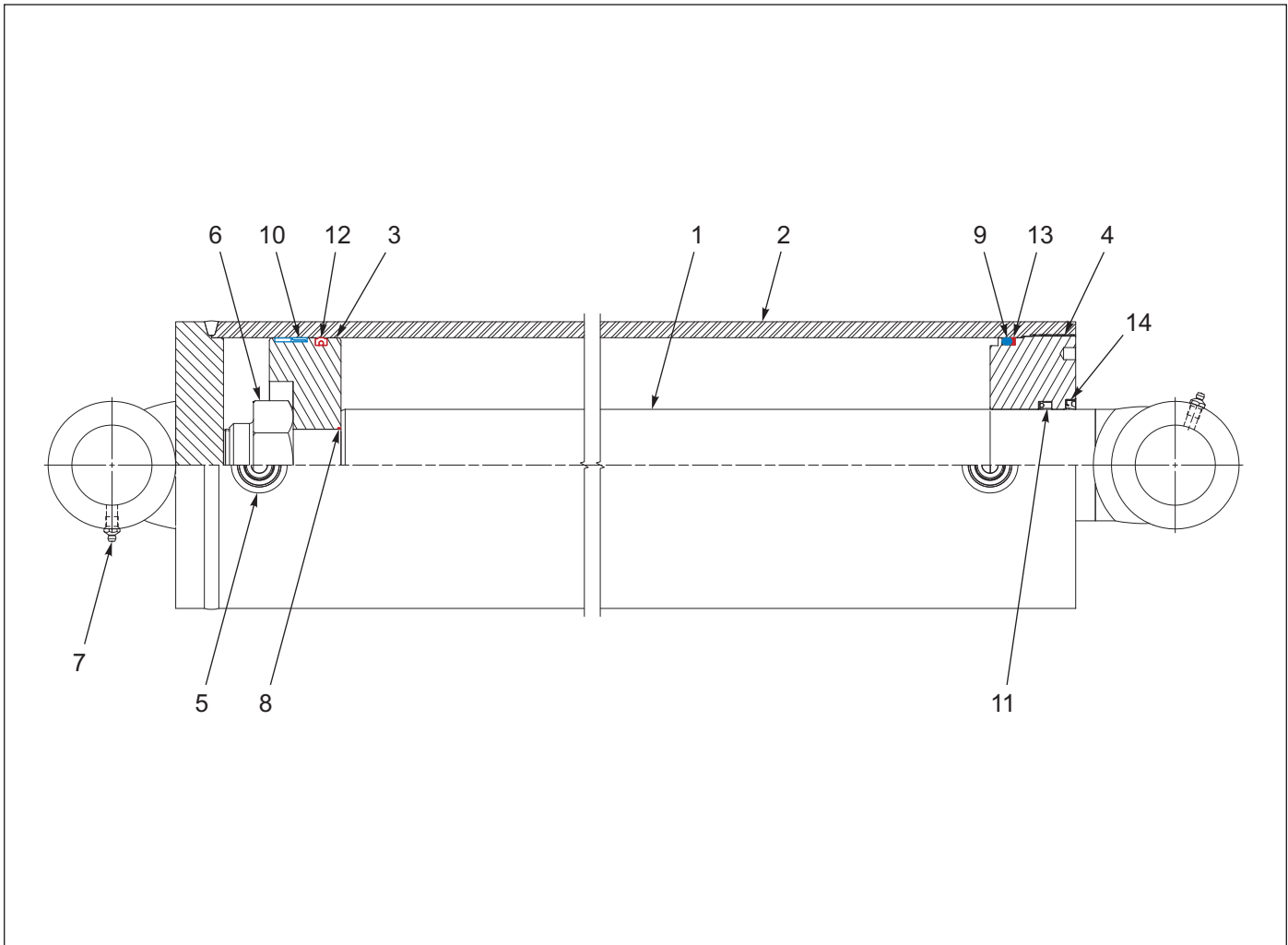


Figure 17-43: Hydraulic Cylinder, 8" X 60" (35' & 40') - 199920

### Hydraulic Cylinder, 8" X 60" (35' & 40') - 199920

ITEM	PART NUMBER	DESCRIPTION	QTY.
	199920	CYLINDER, HYDRAULIC 8 X 60, 3000 PSI	--
1	-----	PISTON ROD ASSY	1
2	-----	BUTT & TUBE ASSY	1
3	-----	PISTON	1
4	-----	GLAND	1
5	148142	HEX HEAD PLUG	2
6	-----	LOCK NUT	1
7	-----	GREASE ZERK	2
8	-----	O- RING	1
9	-----	O- RING	1
10	-----	BEARING RING	1
11	-----	U-CUP	1
12	-----	CROWN SEAL	1
13	-----	BU-WASHER	1
14	-----	WIPER	1
15	-----	PACKING KIT (ITEMS 8-14)	

### Hydraulic Cylinder, 4.5" X 10" - 223374

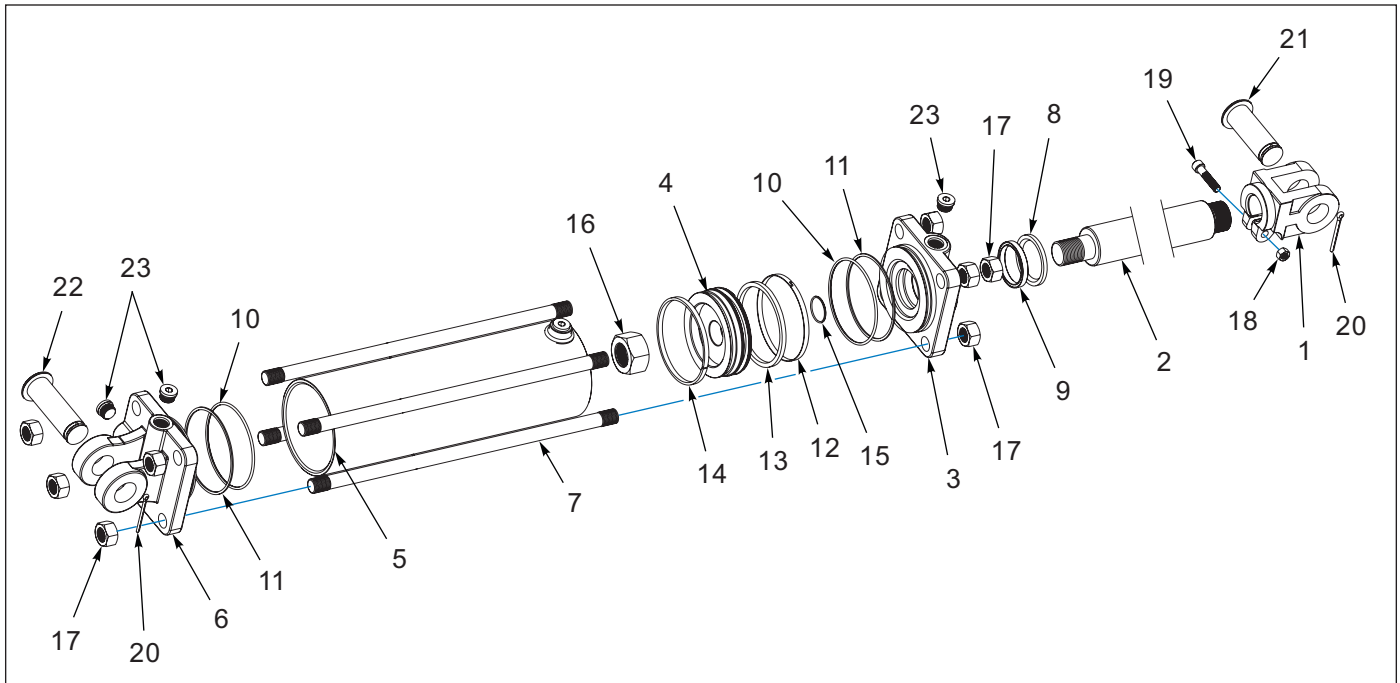


Figure 17-44: Hydraulic Cylinder, 4.5" x 10" - 223374

### Hydraulic Cylinder, 4.5" X 10" - 223374

ITEM	PART NUMBER	DESCRIPTION	QTY.
	223374	CYLINDER, 4-1/2 X 10, REPHASE	--
1	229553	ROD CLEVIS-ADI,1-1/4 PIN, MIDWA	1
2	-----	ROD	1
3	226607	GLAND, 4-1/2" BORE, MIDWAY	1
4	-----	PISTON	1
5	-----	TUBE	1
6	226610	BUTT CLEVIS-ADI, 4-1/2" BORE	1
7	-----	TIE ROD	4
8	-----	WIPER	1
9	-----	U-CUP	1
10	-----	OD O-RING	2
11	-----	OD BACKUP	2
12	-----	GREEN	1
13	-----	LOADER	1
14	-----	WEAR RING	1
15	-----	O-RING	1
16	-----	PISTON NUT	1
17	-----	TIE ROD NUT	8
18	-----	CLEVIS NUT	1
19	-----	CAP SCREW	1
20	W932022-4	COTTER PIN	2
21	226615	ROD CLEVIS PIN	1
22	226614	BASE CLEVIS PIN	1
23	-----	STEEL PLUG	3
24	226616	PACKING KIT,4-1/2" BORE,MIDWAY (SEAL KIT INCLUDES ITEMS 8 - 15)	1

# Electrical

## Wiring Diagram

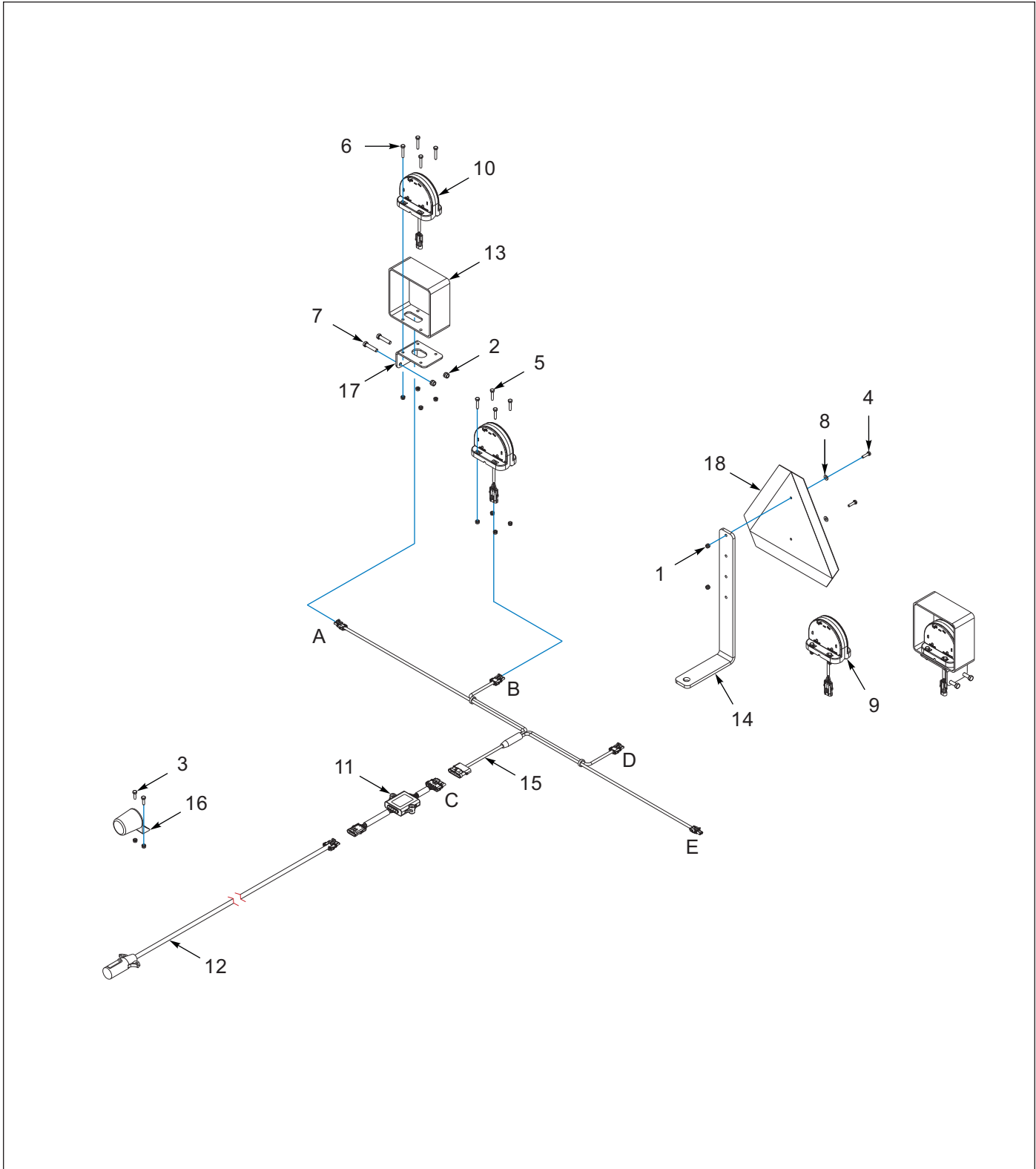


Figure 18-1: Wiring Diagram (1 of 2)

7-PIN CONN.	4-PIN TOWER	CIRCUIT	WIRE COLOR
1	D	GROUND	GROUND
2	-	WORK LAMPS	BLACK ●
3	B	LEFT FLASHING & TURN	YELLOW ●
4	-	STOP LAMPS	RED ●
5	A	RIGHT FLASHING & TURN	GREEN ●
6	-	TAIL LAMPS	BROWN ●
7	C	SWITCHED POWER (12 V)	BLUE ●

MAIN WARNING LIGHT HARNESS - WIRING CHART

	1	2	3	4	5
	2-PIN TOWER	3-PIN TOWER	6-PIN SHROUD	3-PIN TOWER	2-PIN TOWER
● BLACK LEFT TURN			A	C	
● WHITE GROUND	A	A	B	A	A
● BROWN TAIL LIGHT		B	C	B	
● YELLOW LEFT TURN			D		B
● GREEN RIGHT TURN	B		E		
● RED RIGHT TURN			F		

REAR WARNING LIGHT HARNESS - WIRING CHART

Figure 18-2: Wiring Diagram (2 of 2)

## Wiring Diagram

ITEM	PART NUMBER	DESCRIPTION	QTY.
	187690	KIT, WARNING LIGHTS 7831	--
1	1-512-010005-01	NUT, HEX SLFLKG, 1/4-20 UNC, GRB	20
2	1-512-010005-05	NUT, HEX, SLFLKG GRB 3/8-16	4
3	1-654-010047-05	SCREW, HX CP 1/4-20UNCx7/8 GR5	2
4	1-654-010047-06	SCREW, HEX 1/4-20 UNC X 1 GR5	2
5	1-654-010047-07	SCREW,HX CP 1/4-20UNCX1-1/4G5	8
6	1-654-010047-08	SCREW HX CP,1/4-20UNCX1-1/2G5	8
7	1-654-010051-08	SCREW, HEX, 3/8-16 x 1-3/4, GR 5	4
8	1-861-010032-06	WASHER, FLAT ZP/CD, 1/4N	2
9	174435	LAMP, AG RED SINGLE LED	2
10	174436	LAMP, AG AMBER SINGLE LED	2
11	174437	MODULE, AG FLASHER CONTROL	1
12	174438	HARNESS, MAIN WARNING LIGHTS	1
13	187689	TUBE, LIGHT	2
14	191070	BRACKET, SMV 7831	1
15	195073	HARNESS, REAR WARNING LIGHTS	1
16	2-368-010287	HARNESS, STOR-A-WAY	1
17	219947	BRACKET-LIGHT MOUNT	2
18	70260977	SMV EMBLEM	1





# Reel Mounts & Extensions (Rubber Roller & Single Chevron)

## Reel Mount Plate Assemblies

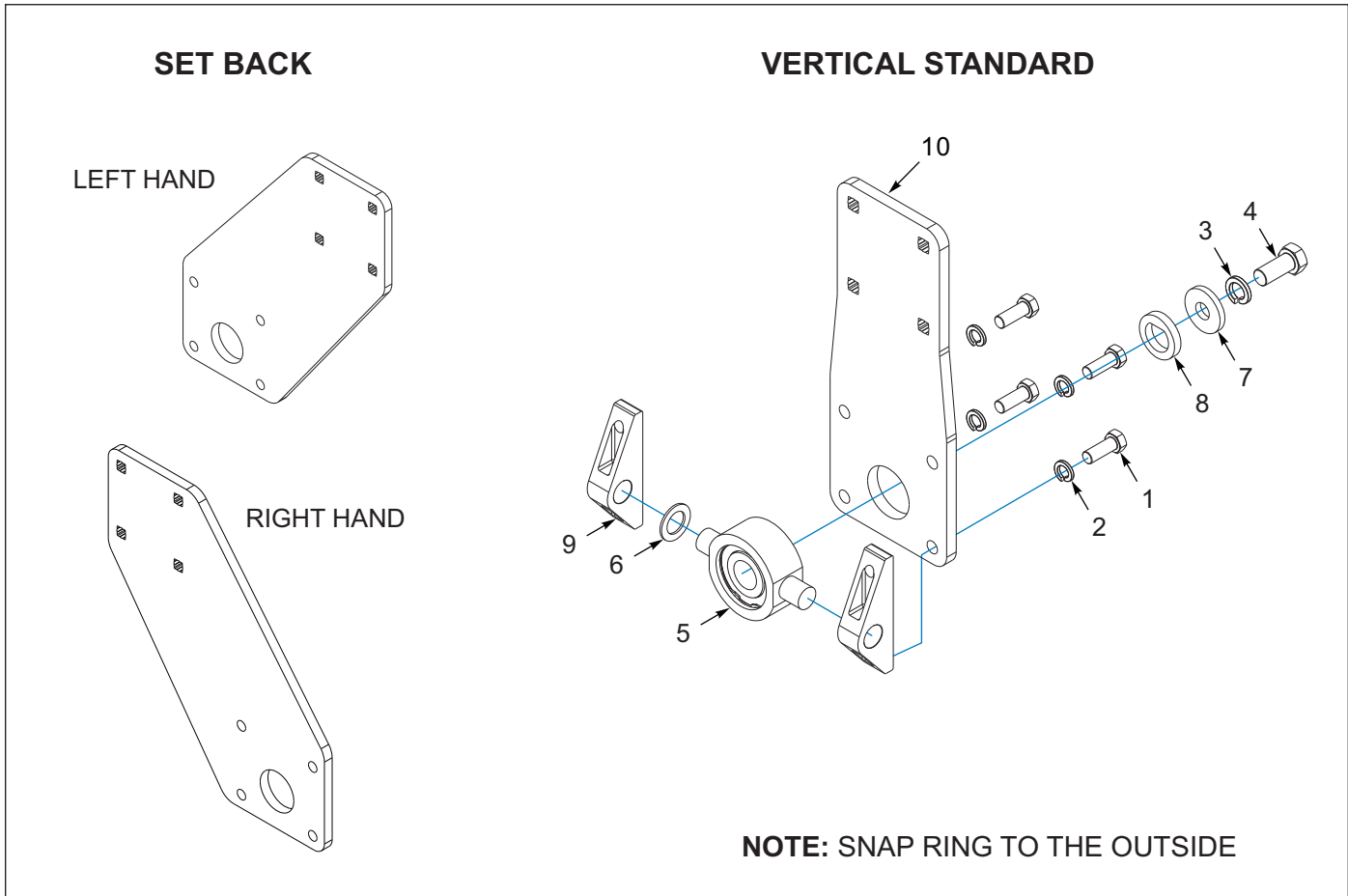


Figure 19-1: Reel Mount Plate Assemblies

## Reel Mount Plate Assemblies

ITEM	PART NUMBER	DESCRIPTION	QTY.
	191752	PLATE, REEL MOUNT ASSEMBLY	--
	199889	PLATE, REEL MOUNT ASSEMBLY RH	--
	199890	PLATE, REEL MOUNT ASSEMBLY LH	--
1	1-654-010061-05	SCREW, HEX 3/4-10 UNC X 2 GR5	4
2	1-861-010034-17	WASHER, LKG HLCL SPR, 3/4	4
3	1-861-010034-21	WASHER, LKG HCSL SPR, 1	1
4	137943	SCREW, HEX 1-8 UNC X 2-1/4 GR8	1
5	140477	BEARING, DISC 1.775 ID, ASSY <b>(POSITION - BACKSIDE OF BEARING)</b>	1
6	140480	WASHER, TRUNNION <b>(POSITIONED - REAR OF MACHINE)</b>	1
7	154185	WASHER, 3/8	1
8	154186	WASHER, FLAT TOP	1
9	191750	MOUNT, TRUNNION BEARING	2
10	199883	PLATE, REEL MOUNT	1
10	191751	PLATE, REEL MOUNT	1

**Reel Mount Extension Assemblies (BEFORE 03/01/2018)**

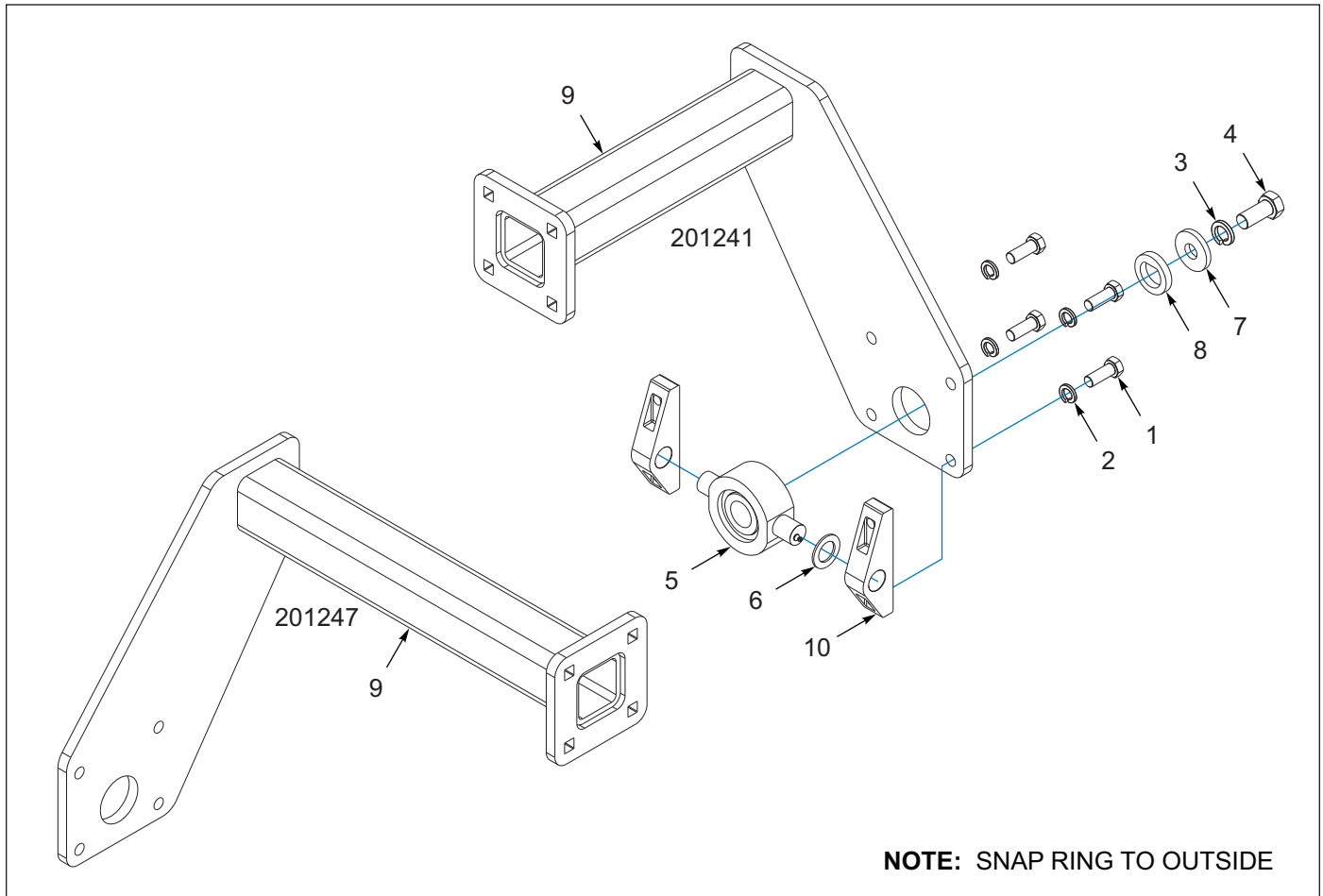


Figure 19-2: Reel Mount Extension Assemblies (BEFORE 03/01/2018)

**Reel Mount Extension Assemblies (BEFORE 03/01/2018)**

ITEM	PART NUMBER	DESCRIPTION	QTY.
	201241	EXTENSION, REEL MOUNT ASSY (RH) (25',30')	--
	201242	EXTENSION, REEL MOUNT ASSY (LH) (25',30')	--
	201247	EXTENSION, REEL MOUNT ASSY (RH) (30')	--
	201248	EXTENSION, REEL MOUNT ASSY (LH) (30')	--
1	1-654-010061-05	SCREW, HEX 3/4-10 UNC X 2 GR5	4
2	1-861-010034-17	WASHER, LKG HLCL SPR, 3/4	4
3	1-861-010034-21	WASHER, LKG HLCL SPR, 1	1
4	137943	SCREW, HEX 1-8 UNC X 2-1/4 GR8	1
5	140477	BEARING, DISC 1.775 ID, ASSY <b>(POSITION ZERK TOWARDS BACK REAR)</b>	1
6	140480	WASHER, TRUNNION <b>(POSITIONED ON BACKSIDE OF BEARING)</b>	1
7	154185	WASHER, 3/8	1
8	154186	WASHER, FLAT TOP	1
9	201239	EXTENSION, REEL MOUNT WELD LH <b>(USED W/ 201241) (25',30')</b>	1
9	201240	EXTENSION, REEL MOUNT WELD RH <b>(USED W/ 201242) (25',30')</b>	1
9	201245	EXTENSION, REEL MOUNT WELD LH <b>(USED W/ 201247) (30')</b>	1
9	201246	EXTENSION, REEL MOUNT WELD RH <b>(USED W/ 201248) (30')</b>	1
10	191750	MOUNT, TRUNNION BEARING 2	2

25' Reel Mount Extension Assemblies (AFTER 03/01/2018)

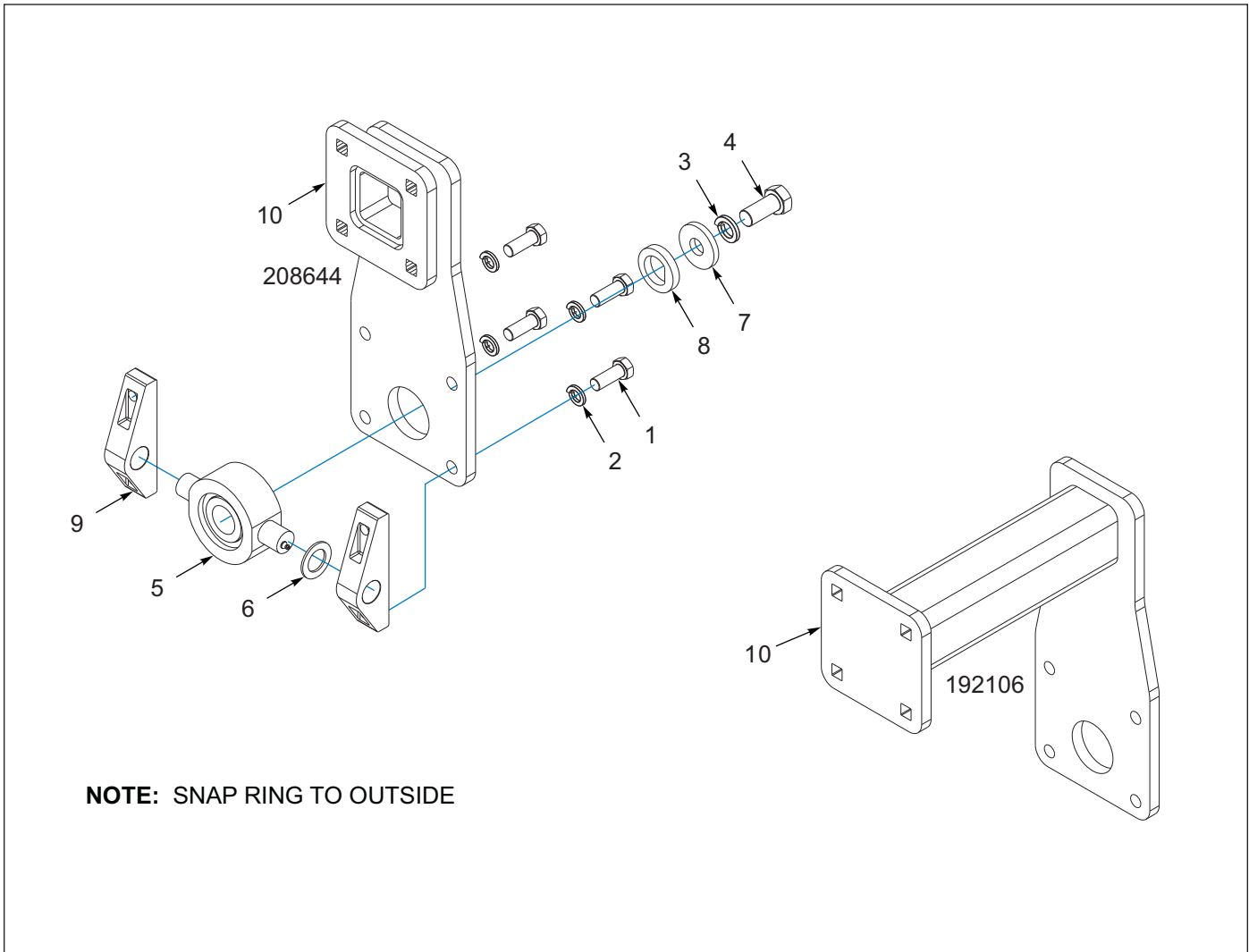


Figure 19-3: 25' Reel Mount Extension Assemblies (AFTER 03/01/2018)

25' Reel Mount Extension Assemblies (AFTER 03/01/2018)

ITEM	PART NUMBER	DESCRIPTION	QTY.
	192106	EXTENSION, REEL MOUNT ASSEMBLY	2
	208644	EXTENSION, REEL MOUNT ASSEMBLY	2
1	1-654-010061-05	SCREW, HEX 3/4-10 UNC X 2 GR5	4
2	1-861-010034-17	WASHER, LKG HLCL SPR, 3/4	4
3	1-861-010034-21	WASHER, LKG HLCL SPR, 1	1
4	137943	SCREW, HEX 1-8 UNC X 2-1/4 GR8	1
5	140477	BEARING, DISC 1.775 ID, ASSY <b>(POSITION ZERK TOWARDS BACK REAR)</b>	1
6	140480	WASHER, TRUNNION <b>(POSITIONED ON BACKSIDE OF BEARING)</b>	1
7	154185	WASHER, 3/8	1
8	154186	WASHER, FLAT TOP	2
9	191750	MOUNT, TRUNNION BEARING 2	1
10	192105	EXTENSION, REEL MOUNT WELD <b>(FOR 192106)</b>	1
10	208645	EXTENSION, REEL MOUNT WELD <b>(FOR 208644)</b>	1

### 30' Reel Mount Extension Assemblies (AFTER 03/01/2018)

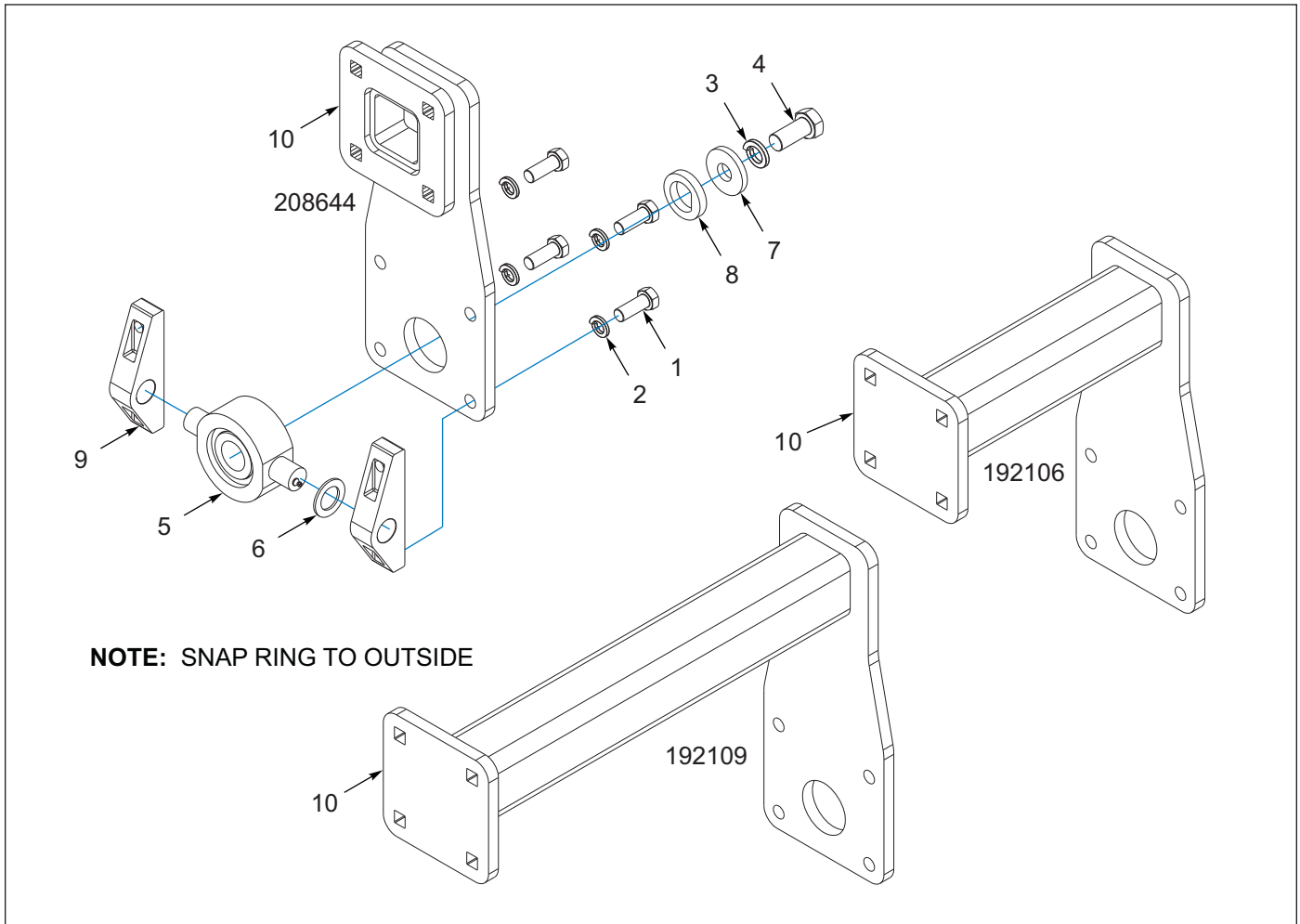


Figure 19-4: 30' Reel Mount Extension Assemblies (AFTER 03/01/2018)

### 30' Reel Mount Extension Assemblies (AFTER 03/01/2018)

ITEM	PART NUMBER	DESCRIPTION	QTY.
	192106	EXTENSION, REEL MOUNT ASSEMBLY	2
	192109	EXTENSION, REEL MOUNT ASSEMBLY	2
	208644	EXTENSION, REEL MOUNT ASSEMBLY	2
1	1-654-010061-05	SCREW, HEX 3/4-10 UNC X 2 GR5	4
2	1-861-010034-17	WASHER, LKG HLCL SPR, 3/4	4
3	1-861-010034-21	WASHER, LKG HLCL SPR, 1	1
4	137943	SCREW, HEX 1-8 UNC X 2-1/4 GR8	1
5	140477	BEARING, DISC 1.775 ID, ASSY <b>(POSITION ZERK TOWARDS BACK REAR)</b>	1
6	140480	WASHER, TRUNNION <b>(POSITIONED ON BACKSIDE OF BEARING)</b>	1
7	154185	WASHER, 3/8	1
8	154186	WASHER, FLAT TOP	2
9	191750	MOUNT, TRUNNION BEARING 2	1
10	192105	EXTENSION, REEL MOUNT WELD <b>(FOR 192106)</b>	1
10	192108	EXTENSION, REEL MOUNT WELD <b>(FOR 192109)</b>	1
10	208645	EXTENSION, REEL MOUNT WELD <b>(FOR 208644)</b>	1

### 35' Reel Mount Extension Assemblies (AFTER 03/01/2018)

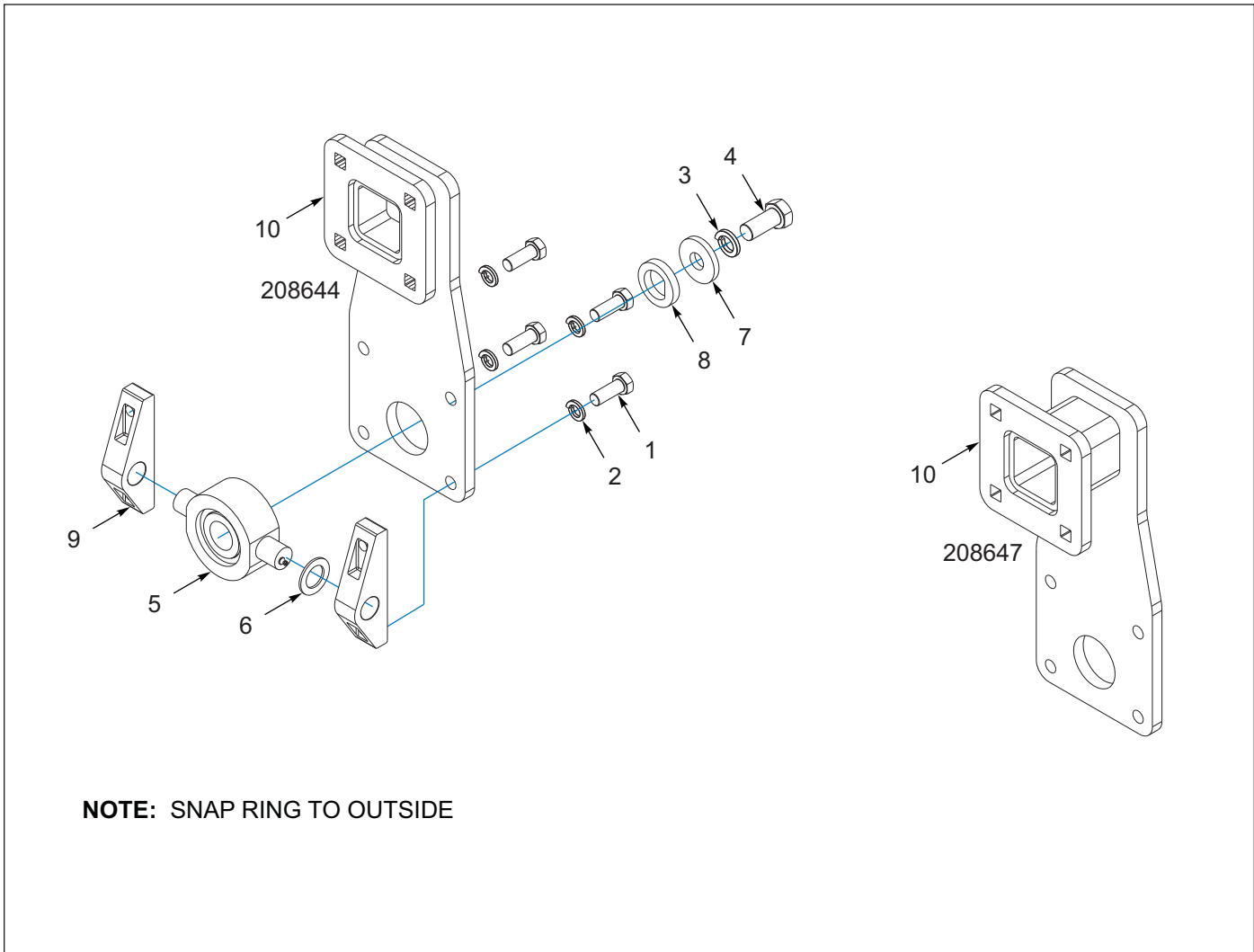


Figure 19-5: 35' Reel Mount Extension Assemblies (AFTER 03/01/2018)

### 35' Reel Mount Extension Assemblies (AFTER 03/01/2018)

ITEM	PART NUMBER	DESCRIPTION	QTY.
	208644	EXTENSION, REEL MOUNT ASSEMBLY	2
	208647	EXTENSION, REEL MOUNT ASSEMBLY	4
1	1-654-010061-05	SCREW, HEX 3/4-10 UNC X 2 GR5	4
2	1-861-010034-17	WASHER, LKG HLCL SPR, 3/4	4
3	1-861-010034-21	WASHER, LKG HLCL SPR, 1	1
4	137943	SCREW, HEX 1-8 UNC X 2-1/4 GR8	1
5	140477	BEARING, DISC 1.775 ID, ASSY <b>(POSITION ZERK TOWARDS BACK REAR)</b>	1
6	140480	WASHER, TRUNNION <b>(POSITIONED ON BACKSIDE OF BEARING)</b>	1
7	154185	WASHER, 3/8	1
8	154186	WASHER, FLAT TOP	2
9	191750	MOUNT, TRUNNION BEARING 2	1
10	208645	EXTENSION, REEL MOUNT WELD <b>(FOR 208644)</b>	1
10	208648	EXTENSION, REEL MOUNT WELD <b>(FOR 208647)</b>	1

### 40' Reel Mount Extension Assemblies (AFTER 03/01/2018)

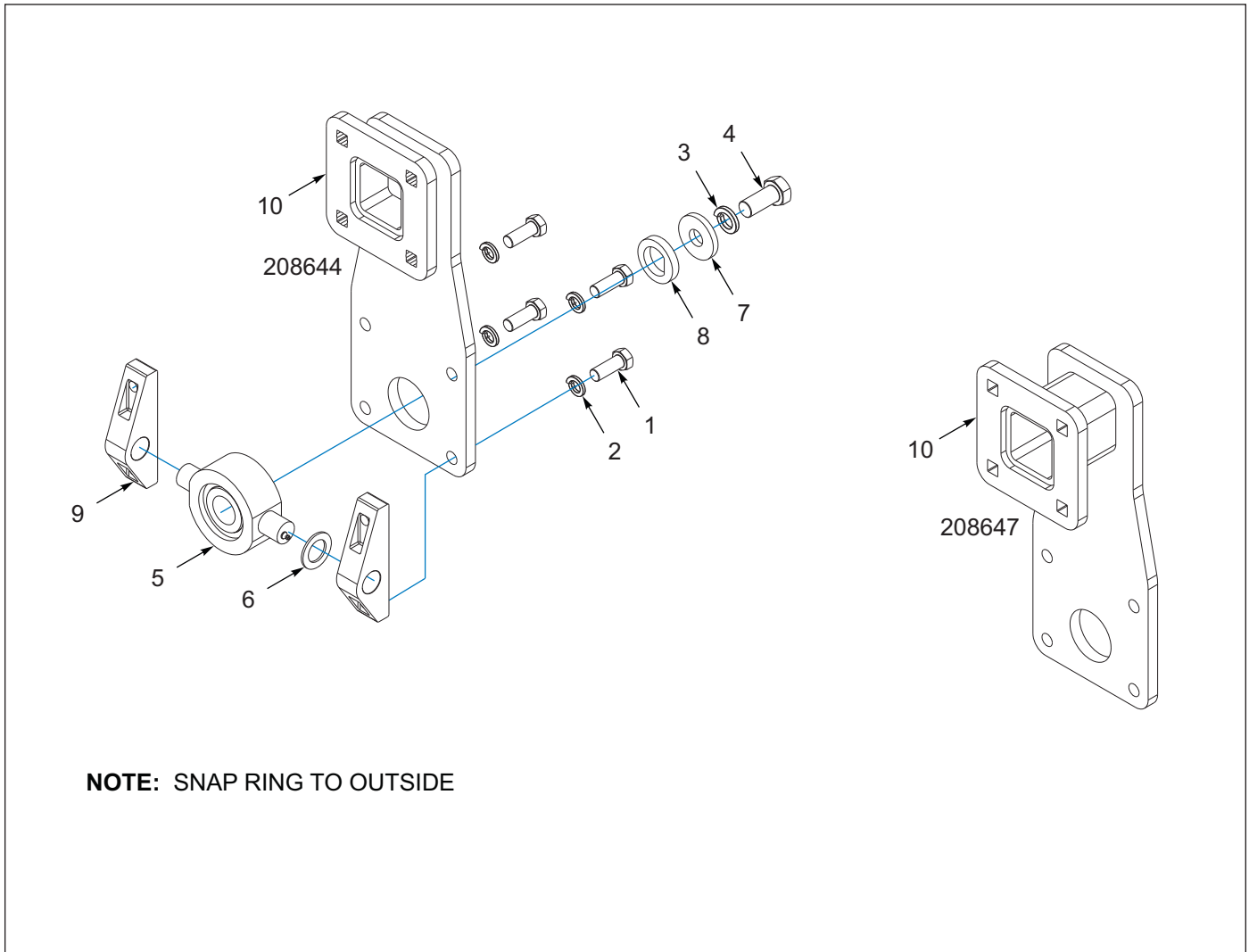


Figure 19-6: 40' Reel Mount Extension Assemblies (AFTER 03/01/2018)

### 40' Reel Mount Extension Assemblies (AFTER 03/01/2018)

ITEM	PART NUMBER	DESCRIPTION	QTY.
	208644	EXTENSION, REEL MOUNT ASSEMBLY	2
	208647	EXTENSION, REEL MOUNT ASSEMBLY	8
1	1-654-010061-05	SCREW, HEX 3/4-10 UNC X 2 GR5	4
2	1-861-010034-17	WASHER, LKG HLCL SPR, 3/4	4
3	1-861-010034-21	WASHER, LKG HLCL SPR, 1	1
4	137943	SCREW, HEX 1-8 UNC X 2-1/4 GR8	1
5	140477	BEARING, DISC 1.775 ID, ASSY <b>(POSITION ZERK TOWARDS BACK REAR)</b>	1
6	140480	WASHER, TRUNNION <b>(POSITIONED ON BACKSIDE OF BEARING)</b>	1
7	154185	WASHER, 3/8	1
8	154186	WASHER, FLAT TOP	2
9	191750	MOUNT, TRUNNION BEARING 2	1
10	208645	EXTENSION, REEL MOUNT WELD <b>(FOR 208644)</b>	1
10	208648	EXTENSION, REEL MOUNT WELD <b>(FOR 208647)</b>	1

# Rubber Roller Assemblies

## 25' Rubber Roller Assembly (BEFORE 03/01/2018)

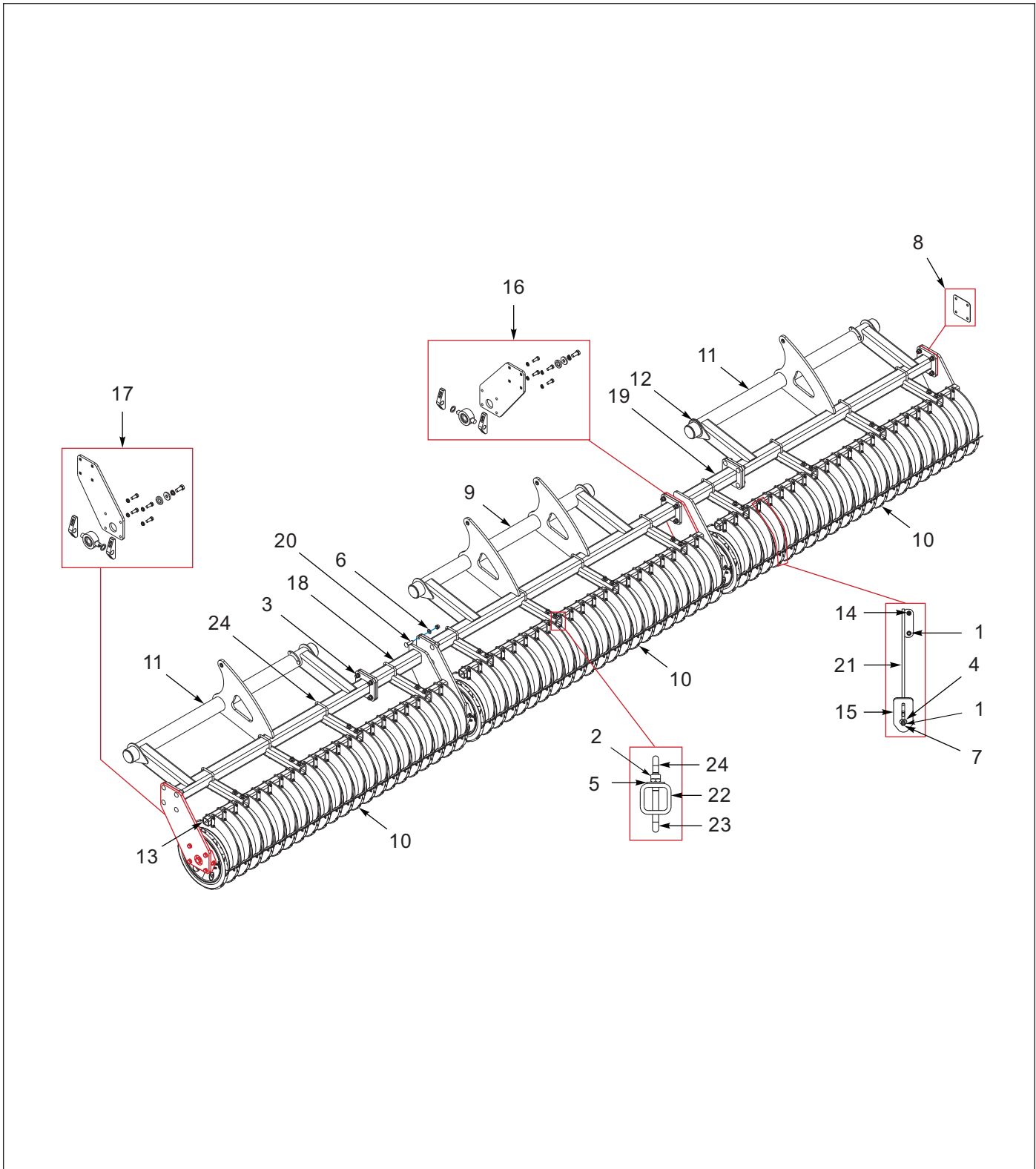


Figure 20-1: 25' Rubber Roller Assembly (BEFORE 03/01/2018)



## 25' Rubber Roller Assembly (BEFORE 03/01/2018)

ITEM	PART NUMBER	DESCRIPTION	QTY.
	191129	ROLLER, RUBBER ASSEMBLY, 25	--
1	1-512-010005-05	NUT, HEX, SLFLKG GRB 3/8-16	189
2	1-512-010005-13	NUT, HEX, SLFLKG GRB 5/8-11	48
3	1-512-010005-15	NUT, HEX, SLFLKG GRB 3/4-10	24
4	1-861-010032-11	WASHER, FLAT 3/8 W ZP/CD	63
5	1-861-010032-19	WASHER, FLAT 5/8 W ZP/CD	24
6	1-861-010032-20	WASHER, FLAT,3/4 N ZP/CD	24
7	101864	SCREW,RD HD 3/8-16X1-1/4 GR5	63
8	187755	PLATE SHIM 11 GA	4
9	192127	ROCKSHAFT WLDMT REEL MOUNT	1
10	192585	ROLLER RUBBER LCTX 2655 OTICO	3
11	192939	ROCKSHAFT WLDMT REEL MOUNT	2
12	195066	WASHER-SHIM, ROCKSHAFT	2
13	199434	TUBE SQ 2-1/2 X 1/4X 103-3/16	3
14	199436	U-BOLT, 3/8-16X2-7/8X3-1/2,ZP	63
15	199437	PLATE-SCRAPER	63
16	199889	PLATE-REEL MOUNT, RH, ASSEMBLY (SEE PAGE 19-1)	2
17	199890	PLATE-REEL MOUNT, LH, ASSEMBLY	2
18	201241	EXTENSION-REEL MOUNT, ASSEMBLY (SEE PAGE 19-2)	1
19	201242	EXTENSION-REEL MOUNT, ASSEMBLY (SEE PAGE 19-2)	1
20	201250	SCREW,RD,HD,SQ NK,3/4-10X2-3/4	24
21	201272	MOUNT WLDMT SCRAPER	63
22	201273	TUBE-SCRAPER MOUNT	12
23	201274	U-BOLT, 5/8-11 X 3-3/16X5-3/16	12
24	3P011	U-BOLT, 5/8-11X4-11/16X6,ZP	12

30' Rubber Roller Assembly (BEFORE 03/01/2018)

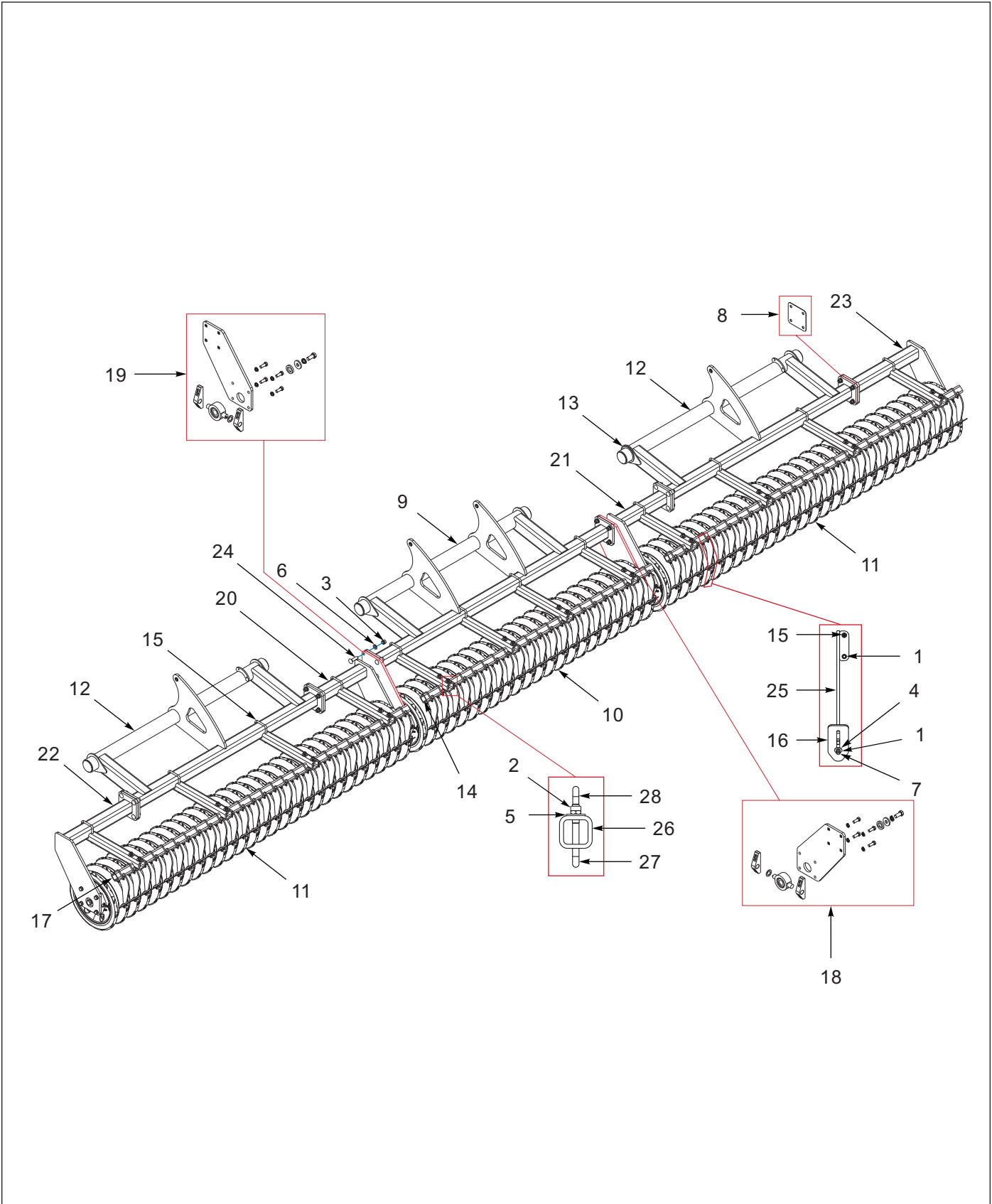


Figure 20-2: 30' Rubber Roller Assembly (BEFORE 03/01/2018)

### 30' Rubber Roller Assembly (BEFORE 03/01/2018)

ITEM	PART NUMBER	DESCRIPTION	QTY.
	191134	ROLLER, RUBBER ASSEMBLY, 30	--
1	1-512-010005-05	NUT, HEX, SLFLKG GRB 3/8-16	225
2	1-512-010005-13	NUT, HEX, SLFLKG GRB 5/8-11	48
3	1-512-010005-15	NUT, HEX, SLFLKG GRB 3/4-10	24
4	1-861-010032-11	WASHER, FLAT 3/8 W ZP/CD	75
5	1-861-010032-19	WASHER, FLAT 5/8 W ZP/CD	24
6	1-861-010032-20	WASHER, FLAT,3/4 N ZP/CD	24
7	101864	SCREW,RD HD 3/8-16X1-1/4 GR5	75
8	187755	PLATE SHIM 11 GA	4
9	192127	ROCKSHAFT WLDMT REEL MOUNT	1
10	192585	ROLLER ASM RBR 104 1/2"	1
11	192586	ROLLER ASM RBR 134"	2
12	192939	ROCKSHAFT WLDMT REEL MOUNT	2
13	195066	WASHER-SHIM, ROCKSHAFT	2
14	199434	TUBE SQ 2-1/2 X 1/4X 103-3/16	1
15	199436	U-BOLT, 3/8-16X2-7/8X3-1/2,ZP	75
16	199437	PLATE-SCRAPER	75
17	199440	TUBE SQ 2-1/2 X1/4X 132-11/16	2
18	199889	PLATE-REEL MOUNT, RH, ASSEMBLY (SEE PAGE 19-1)	1
19	199890	PLATE-REEL MOUNT, LH, ASSEMBLY (SEE PAGE 19-1)	1
20	201241	EXTENSION-REEL MOUNT, ASSEMBLY (SEE PAGE 19-2)	1
21	201242	EXTENSION-REEL MOUNT, ASSEMBLY (SEE PAGE 19-2)	1
22	201247	EXTENSION-REEL MOUNT, ASSEMBLY (SEE PAGE 19-2)	1
23	201248	EXTENSION-REEL MOUNT, ASSEMBLY (SEE PAGE 19-2)	1
24	201250	SCREW,RD,HD,SQ NK,3/4-10X2-3/4	24
25	201272	MOUNT WLDMT SCRAPER	75
26	201273	TUBE-SCRAPER MOUNT	12
27	201274	U-BOLT, 5/8-11 X 3-3/16X5-3/16	12
28	3P011	U-BOLT, 5/8-11X4-11/16X6,ZP	12

35' Rubber Roller Assembly (BEFORE 03/01/2018)

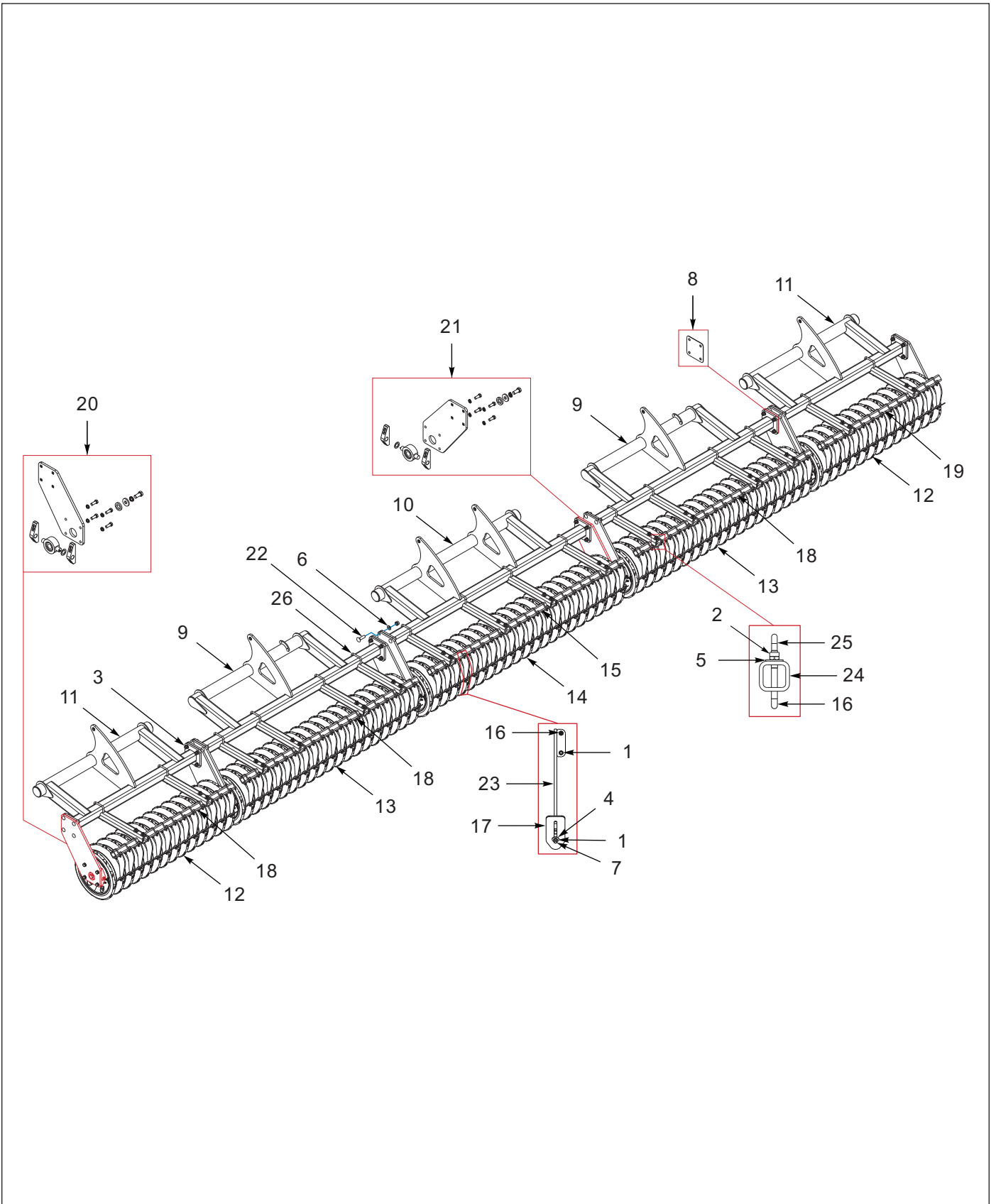


Figure 20-3: 35' Rubber Roller Assembly (BEFORE 03/01/2018)

### 35' Rubber Roller Assembly (BEFORE 03/01/2018)

ITEM	PART NUMBER	DESCRIPTION	QTY.
	191139	ROLLER, RUBBER ASSEMBLY, 35	--
1	1-512-010005-05	NUT, HEX, SLFLKG GRB 3/8-16	255
2	1-512-010005-13	NUT, HEX, SLFLKG GRB 5/8-11	64
3	1-512-010005-15	NUT, HEX, SLFLKG GRB 3/4-10	40
4	1-861-010032-11	WASHER, FLAT 3/8 W ZP/CD	85
5	1-861-010032-19	WASHER, FLAT 5/8 W ZP/CD	32
6	1-861-010032-20	WASHER, FLAT,3/4 N ZP/CD	40
7	101864	SCREW,RD HD 3/8-16X1-1/4 GR5	85
8	187755	PLATE SHIM 11 GA	6
9	191757	ROCKSHAFT WLDMT REEL MOUNT	2
10	192127	ROCKSHAFT WLDMT REEL MOUNT	1
11	192498	ROCKSHAFT WLDMT REEL MOUNT	2
12	192583	ROLLER ASM RBR 65 5/32"	2
13	192584	ROLLER ASM RBR 94 5/8"	2
14	192585	ROLLER ASM RBR 104 1/2"	1
15	199434	TUBE SQ 2-1/2 X 1/4X 103-3/16	1
16	199436	U-BOLT, 3/8-16X2-7/8X3-1/2,ZP	85
17	199437	PLATE-SCRAPER	85
18	199441	TUBE SQ 2-1/2 X1/4X 93-1/4	2
19	199442	TUBE SQ 2-1/2 X1/4X 63-3/4	2
20	199889	PLATE-REEL MOUNT, RH, ASSEMBLY (SEE PAGE 19-1)	5
21	199890	PLATE-REEL MOUNT, LH, ASSEMBLY (SEE PAGE 19-1)	5
22	201250	SCREW,RD,HD,SQ NK,3/4-10X2-3/4	40
23	201272	MOUNT WLDMT SCRAPER	85
24	201273	TUBE-SCRAPER MOUNT	16
25	201274	U-BOLT, 5/8-11 X 3-3/16X5-3/16	16
26	3P011	U-BOLT, 5/8-11X4-11/16X6,ZP	16

40' Rubber Roller Assembly (BEFORE 03/01/2018)

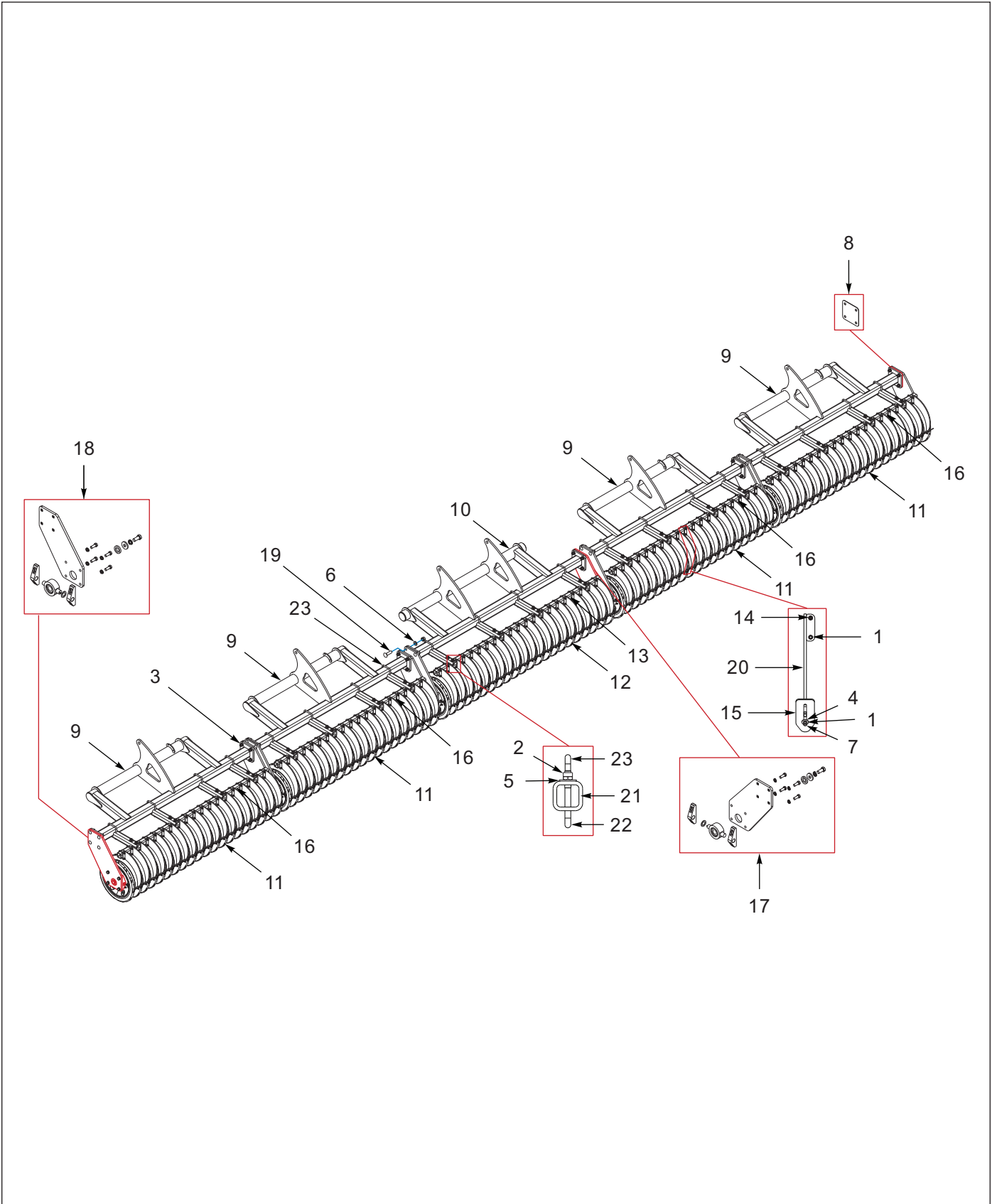


Figure 20-4: 40' Rubber Roller Assembly (BEFORE 03/01/2018)

## 40' Rubber Roller Assembly (BEFORE 03/01/2018)

ITEM	PART NUMBER	DESCRIPTION	QTY.
	191144	ROLLER, RUBBER ASSEMBLY, 40	- -
1	1-512-010005-05	NUT, HEX, SLFLKG GRB 3/8-16	291
2	1-512-010005-13	NUT, HEX, SLFLKG GRB 5/8-11	80
3	1-512-010005-15	NUT, HEX, SLFLKG GRB 3/4-10	40
4	1-861-010032-11	WASHER, FLAT 3/8 W ZP/CD	97
5	1-861-010032-19	WASHER, FLAT 5/8 W ZP/CD	40
6	1-861-010032-20	WASHER, FLAT,3/4 N ZP/CD	40
7	101864	SCREW,RD HD 3/8-16X1-1/4 GR5	97
8	187755	PLATE SHIM 11 GA	6
9	191757	ROCKSHAFT WLDMT REEL MOUNT	4
10	192127	ROCKSHAFT WLDMT REEL MOUNT	1
11	192584	ROLLER ASM RBR 94 5/8"	4
12	192585	ROLLER ASM RBR 104 1/2"	1
13	199434	TUBE SQ 2-1/2 X 1/4X 103-3/16	1
14	199436	U-BOLT, 3/8-16X2-7/8X3-1/2,ZP	97
15	199437	PLATE-SCRAPER	97
16	199441	TUBE SQ 2-1/2 X1/4X 93-1/4	4
17	199889	PLATE-REEL MOUNT, RH, ASSEMBLY (SEE PAGE 19-1)	5
18	199890	PLATE-REEL MOUNT, LH, ASSEMBLY (SEE PAGE 19-1)	5
19	201250	SCREW,RD,HD,SQ NK,3/4-10X2-3/4	40
20	201272	MOUNT WLDMT SCRAPER	97
21	201273	TUBE-SCRAPER MOUNT	20
22	201274	U-BOLT, 5/8-11 X 3-3/16X5-3/16	20
23	3P011	U-BOLT, 5/8-11X4-11/16X6,ZP	20

25' Rubber Roller Assembly (AFTER 03/01/2018)

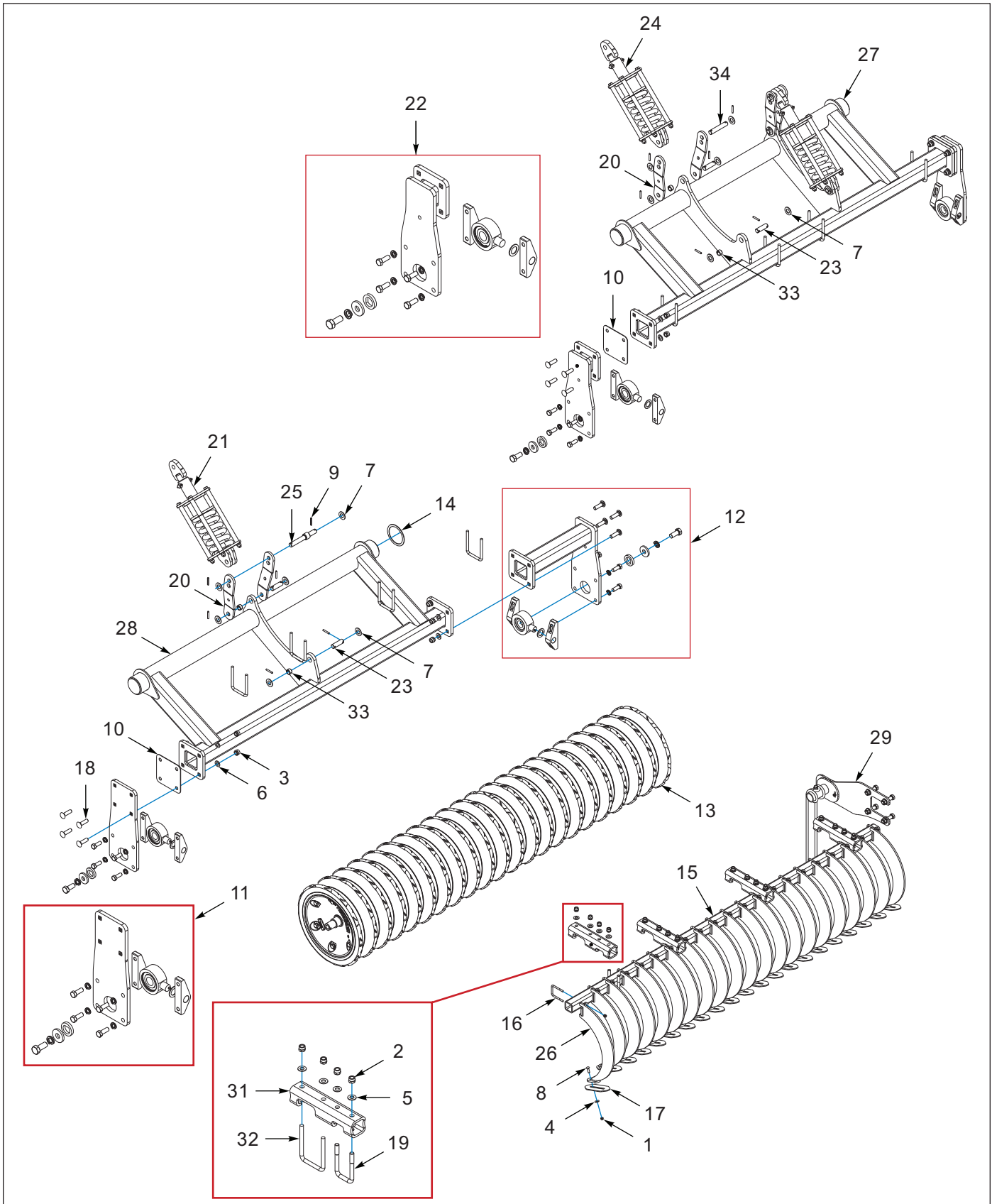


Figure 20-5: 25' Rubber Roller Assembly (AFTER 03/01/2018)



## 25' Rubber Roller Assembly (AFTER 03/01/2018)

ITEM	PART NUMBER	DESCRIPTION	QTY.
	191129	ROLLER, RUBBER ASSEMBLY, 25	--
1	1-512-010005-05	NUT, HEX, SLFLKG GRB 3/8-16	189
2	1-512-010005-13	NUT,HEX SLFLKG GRB 5/8-11	48
3	1-512-010005-15	NUT,HEX,SLFLKG GRB 3/4-10	24
4	1-861-010032-11	WASHER, FLAT 3/8 W ZP/CD	63
5	1-861-010032-18	WASHER, FLAT 5/8 N ZP/CD	48
6	1-861-010032-20	WASHER, FLAT,3/4 N ZP/CD	24
7	1-861-010032-24	WASHER FL 1IN NARROW ZP	24
8	101864	SCREW,RD HD 3/8-16X1-1/4 GR5	63
9	147072	PIN, SPRING SLOTTED 5/16 X 2	24
10	187755	PLATE SHIM 11 GA	3
11	191752	PLATE-REEL MOUNT, ASSY (SEE PAGE 19-1)	2
12	192106	EXTENSION-REEL MOUNT, ASSY (SEE PAGE 19-3)	2
13	192585	ROLLER RUBBER LCTX 2655 OTICO	3
14	195066	WASHER SHIM ROCKSHAFT	2
15	199434	TUBE SQ 2-1/2 X 1/4X 103-3/16	3
16	199436	U-BOLT, 3/8-16X2-7/8X3-1/2,ZP	63
17	199437	PLATE-SCRAPER	63
18	201250	SCREW,RD,HD,SQ NK,3/4-10X2-3/4	24
19	201274	U-BOLT, 5/8-11 X 3-3/16X5-3/16	12
20	207537	LINK IDLER	8
21	207577	LINK-SPRING, K3400 ASSY	2
22	207644	PLATE, DRAWBAR	2
23	209162	PIN, 1 X 3-5/16, H2	8
24	209183	LINK-SPRING, K2700 ASSY	2
25	209196	PIN-REEL CONTROL	1
26	217967	MOUNT-SCRAPER, WLDMT	63
27	221955	ROCKSHAFT-REEL MOUNT, WLDMT	1
28	221956	ROCKSHAFT-REEL MOUNT, WLDMT	2
29	223387	KIT-TINE, DOUBLE, ROLLER, ASM	2
30	224429	TUBE-SCRAPER MOUNT	12
31	3P011	U-BOLT, 5/8-11X4-11/16X6,ZP	12
32	3P079	SPRING BUSHING,1 X 1.25 X 0.75	8
33	5J768	PIN	3

### 30' Rubber Roller Assembly (AFTER 03/01/2018)

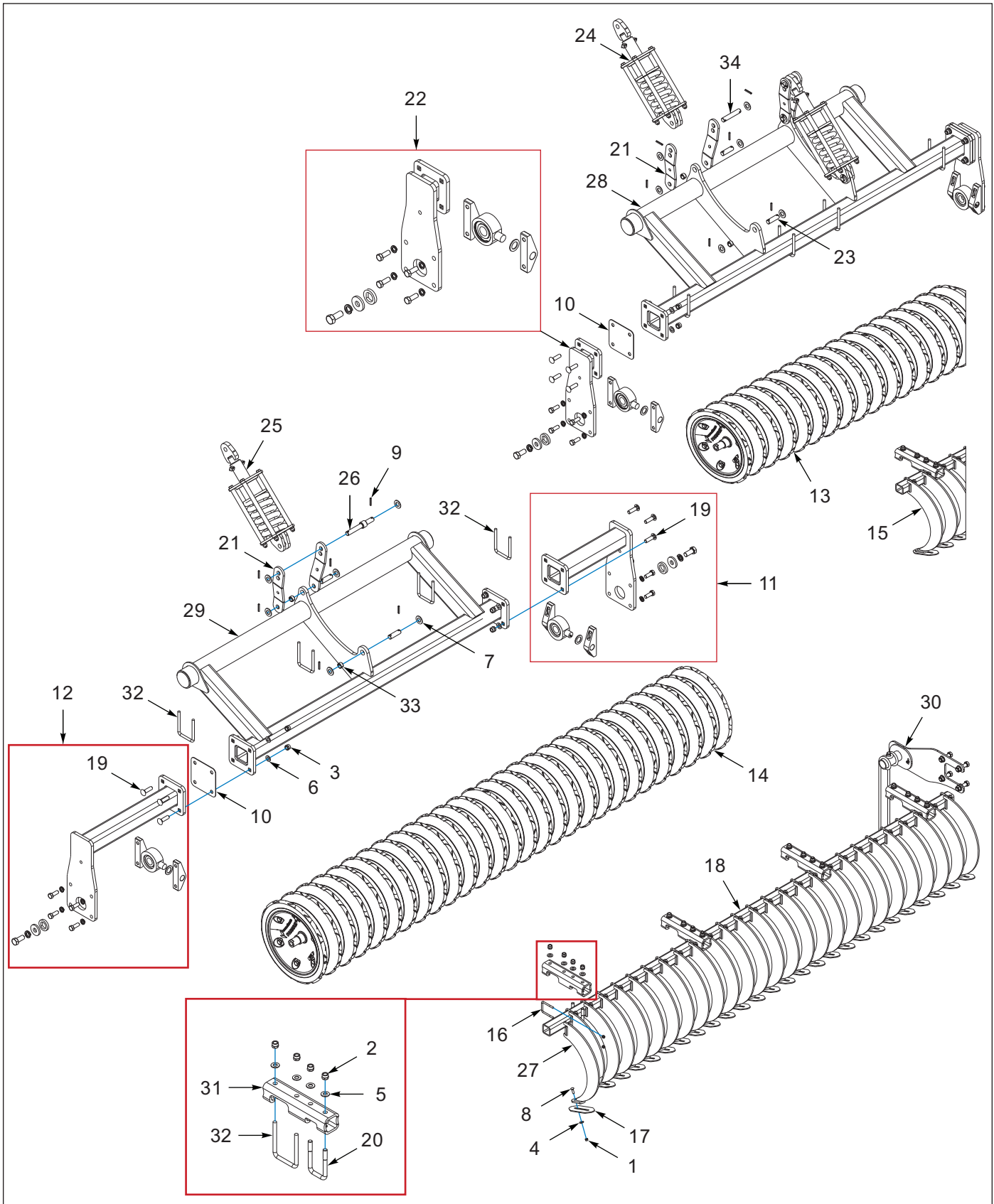


Figure 20-6: 30' Rubber Roller Assembly (AFTER 03/01/2018)

### 30' Rubber Roller Assembly (AFTER 03/01/2018)

ITEM	PART NUMBER	DESCRIPTION	QTY.
	191134	ROLLER, RUBBER ASSEMBLY, 30	--
1	1-512-010005-05	NUT, HEX, SLFLKG GRB 3/8-16	255
2	1-512-010005-13	NUT,HEX SLFLKG GRB 5/8-11	48
3	1-512-010005-15	NUT,HEX,SLFLKG GRB 3/4-10	24
4	1-861-010032-11	WASHER, FLAT 3/8 W ZP/CD	75
5	1-861-010032-18	WASHER, FLAT 5/8 N ZP/CD	48
6	1-861-010032-20	WASHER, FLAT,3/4 N ZP/CD	24
7	1-861-010032-24	WASHER FL 1IN NARROW ZP	24
8	101864	SCREW,RD HD 3/8-16X1-1/4 GR5	75
9	147072	PIN, SPRING SLOTTED 5/16 X 2	24
10	187755	PLATE SHIM 11 GA	23
11	192106	EXTENSION-REEL MOUNT, ASSY (SEE PAGE 19-4)	2
12	192109	EXTENSION-REEL MOUNT, ASSY (SEE PAGE 19-4)	1
13	192585	ROLLER RUBBER LCTX 2655 OTICO	2
14	192586	ROLLER RUBBER LCTX 3405 OTICO	1
15	199434	TUBE SQ 2-1/2 X 1/4X 103-3/16	75
16	199436	U-BOLT, 3/8-16X2-7/8X3-1/2,ZP	75
17	199437	PLATE-SCRAPER	2
18	199440	TUBE SQ 2-1/2 X1/4X 132-11/16	24
19	201250	SCREW,RD,HD,SQ NK,3/4-10X2-3/4	12
20	201274	U-BOLT, 5/8-11 X 3-3/16X5-3/16	8
21	207537	LINK IDLER	2
22	208644	EXTENSION-REEL MOUNT, ASSY (SEE PAGE 19-4)	8
23	209162	PIN, 1 X 3-5/16, H2	2
24	209183	LINK-SPRING, K2700 ASSY	2
25	209184	LINK-SPRING, K4600 ASSY	1
26	209196	PIN-REEL CONTROL	75
27	217967	MOUNT-SCRAPER, WLDMT	1
28	221955	ROCKSHAFT-REEL MOUNT, WLDMT	2
29	221956	ROCKSHAFT-REEL MOUNT, WLDMT	2
30	223387	KIT-TINE, DOUBLE, ROLLER, ASM	1
31	224429	TUBE-SCRAPER MOUNT	12
32	3P011	U-BOLT, 5/8-11X4-11/16X6,ZP	12
33	3P079	SPRING BUSHING,1 X 1.25 X 0.75	8
34	5J768	PIN	3

### 35' Rubber Roller Assembly (AFTER 03/01/2018)

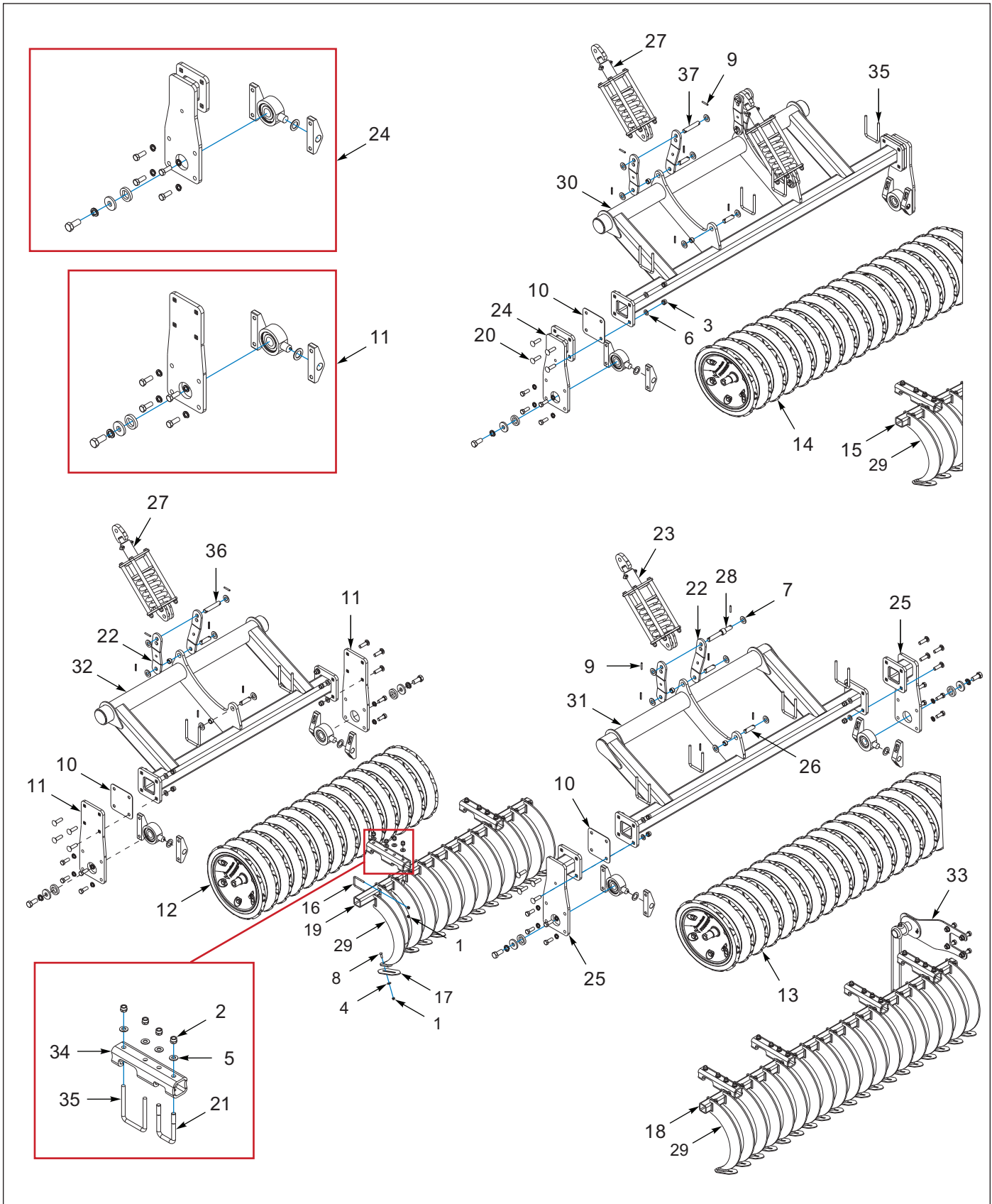


Figure 20-7: 35' Rubber Roller Assembly (AFTER 03/01/2018)

## 35' Rubber Roller Assembly (AFTER 03/01/2018)

ITEM	PART NUMBER	DESCRIPTION	QTY.
	191139	ROLLER, RUBBER ASSEMBLY, 35	--
1	1-512-010005-05	NUT, HEX, SLFLKG GRB 3/8-16	255
2	1-512-010005-13	NUT, HEX, SLFLKG GRB 5/8-11	64
3	1-512-010005-15	NUT, HEX, SLFLKG GRB 3/4-10	40
4	1-861-010032-11	WASHER, FLAT 3/8 W ZP/CD	85
5	1-861-010032-18	WASHER, FLAT ZP/CD, 5/8N	64
6	1-861-010032-20	WASHER, FLAT, ZP/CD, 3/4N	40
7	1-861-010032-24	WASHER, FLAT, ZP/CD, 1N	36
8	101864	SCREW,RD HD 3/8-16X1-1/4 GR5	85
9	147072	PIN, SPRING SLOTTED 5/16X2	36
10	187755	PLATE SHIM 11 GA	6
11	191752	PLATE-REEL MOUNT, ASSEMBLY (SEE PAGE 19-1)	4
12	192583	ROLLER ASM RBR 65 5/32"	2
13	192584	ROLLER ASM RBR 94 5/8"	2
14	192585	ROLLER ASM RBR 104 1/2"	1
15	199434	TUBE SQ 2-1/2 X 1/4X 103-3/16	1
16	199436	U-BOLT, 3/8-16X2-7/8X3-1/2,ZP	85
17	199437	PLATE-SCRAPER	85
18	199441	TUBE SQ 2-1/2 X1/4X 93-1/4	2
19	199442	TUBE SQ 2-1/2 X1/4X 63-3/4	2
20	201250	SCREW,RD,HD,SQ NK,3/4-10X2-3/4	40
21	201274	U-BOLT, 5/8-11 X 3-3/16X5-3/16	16
22	207537	LINK-IDLER	12
23	207577	LINK-SPRING, K3400, ASM	2
24	208644	EXTENSION-REEL MOUNT, ASSEMBLY (SEE PAGE 19-5)	2
25	208647	EXTENSION-REEL MOUNT, ASSEMBLY (SEE PAGE 19-5)	4
26	209162	PIN, 1 X 3-5/16, H2	12
27	209183	LINK-SPRING, K2700, ASM	4
28	209196	PIN-REEL CONTROL	1
29	209197	MOUNT-SCRAPER, WELDMENT	85
30	221955	ROCKSHAFT-REEL, WELD	1
31	221957	ROCKSHAFT-REEL, WELDMENT	2
32	221958	ROCKSHAFT-REEL, WLDMT	2
33	223387	KIT-TINE, DOUBLE, ROLLER	2
34	224429	TUBE-SCRAPER MOUNT	16
35	3P011	U-BOLT, 5/8-11X4-11/16X6,ZP	16
36	3P079	SPRING BUSHING, 1.0X1.25X0.75	12
37	5J768	PIN, 1 X 4-7/16. H2	5

# 40' Rubber Roller Assembly (AFTER 03/01/2018)

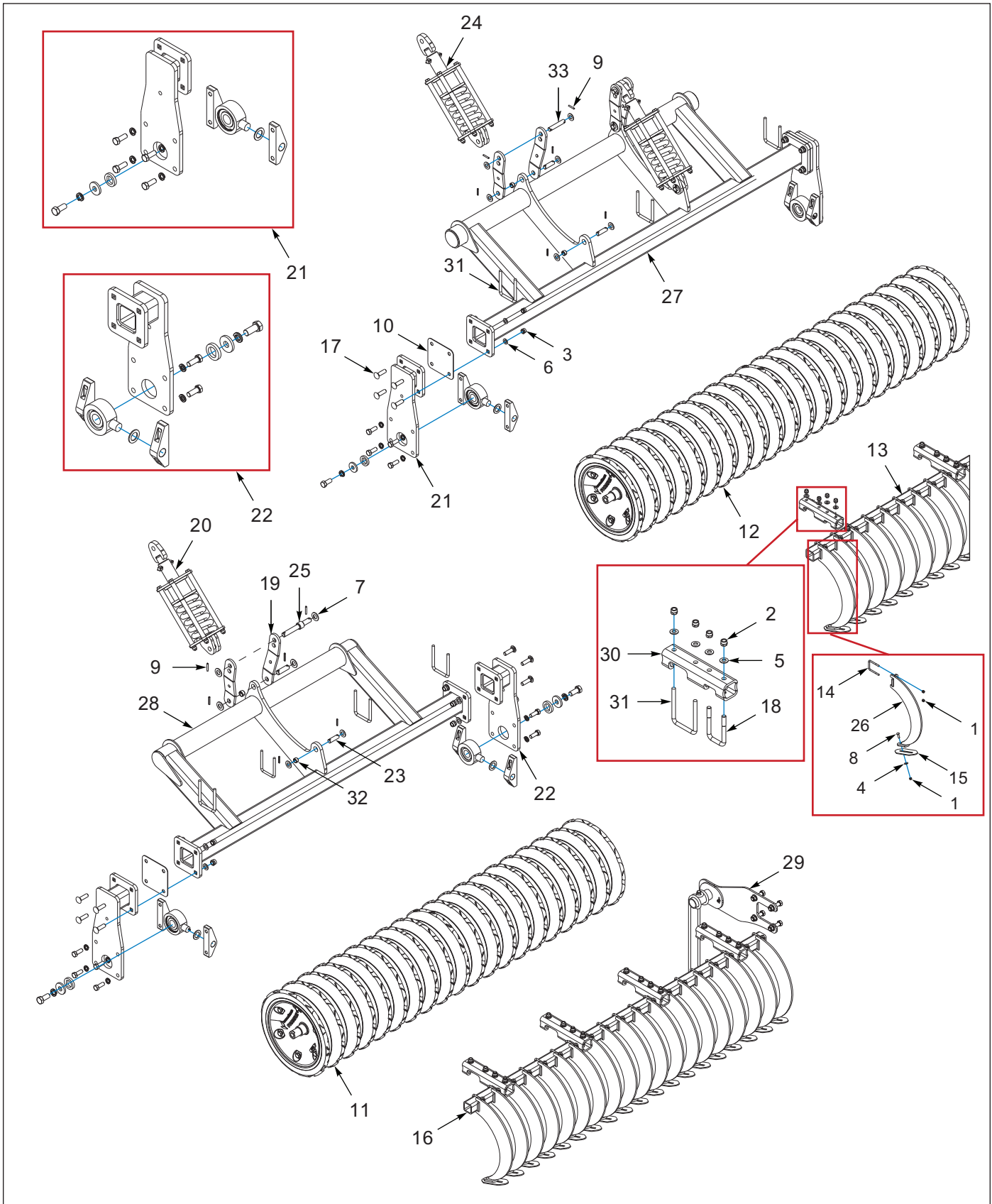


Figure 20-8: 40' Rubber Roller Assembly (AFTER 03/01/2018)



## 40' Rubber Roller Assembly (AFTER 03/01/2018)

ITEM	PART NUMBER	DESCRIPTION	QTY.
	191144	ROLLER, RUBBER ASSEMBLY, 40	--
1	1-512-010005-05	NUT, HEX, SLFLKG GRB 3/8-16	291
2	1-512-010005-13	NUT,HEX SLFLKG GRB 5/8-11	80
3	1-512-010005-15	NUT,HEX,SLFLKG GRB 3/4-10	40
4	1-861-010032-11	WASHER, FLAT 3/8 W ZP/CD	97
5	1-861-010032-18	WASHER, FLAT 5/8 N ZP/CD	80
6	1-861-010032-20	WASHER, FLAT,3/4 N ZP/CD	40
7	1-861-010032-24	WASHER FL 1IN NARROW ZP	36
8	101864	SCREW,RD HD 3/8-16X1-1/4 GR5	97
9	147072	PIN, SPRING SLOTTED 5/16 X 2	36
10	187755	PLATE SHIM 11 GA	5
11	192584	ROLLER RUBBER LCTX 2405 OTICO	4
12	192585	ROLLER RUBBER LCTX 2655 OTICO	1
13	199434	TUBE SQ 2-1/2 X 1/4X 103-3/16	1
14	199436	U-BOLT, 3/8-16X2-7/8X3-1/2,ZP	97
15	199437	PLATE-SCRAPER	97
16	199441	TUBE SQ 2-1/2 X1/4X 93-1/4	4
17	201250	SCREW,RD,HD,SQ NK,3/4-10X2-3/4	40
18	201274	U-BOLT, 5/8-11 X 3-3/16X5-3/16	20
19	207537	LINK IDLER	12
20	207577	LINK-SPRING, K3400 ASSY	4
21	208644	EXTENSION-REEL MOUNT, ASSY (SEE PAGE 19-6)	2
22	208647	EXTENSION-REEL MOUNT, ASSY (SEE PAGE 19-6)	8
23	209162	PIN, 1 X 3-5/16, H2	12
24	209183	LINK-SPRING, K2700 ASSY	2
25	209196	PIN-REEL CONTROL	1
26	217967	MOUNT-SCRAPER, WLDMT	97
27	221955	ROCKSHAFT-REEL MOUNT, WLDMT	1
28	221957	ROCKSHAFT-REEL MOUNT, WLDMT	4
29	223387	KIT-TINE, DOUBLE, ROLLER, ASM	2
30	224429	TUBE-SCRAPER MOUNT	20
31	3P011	U-BOLT, 5/8-11X4-11/16X6,ZP	20
32	3P079	SPRING BUSHING,1 X 1.25 X 0.75	12
33	5J768	PIN	5

# Single Chevron Reel Assemblies

## 25' Single Chevron Reel Assembly (BEFORE 03/01/2018)

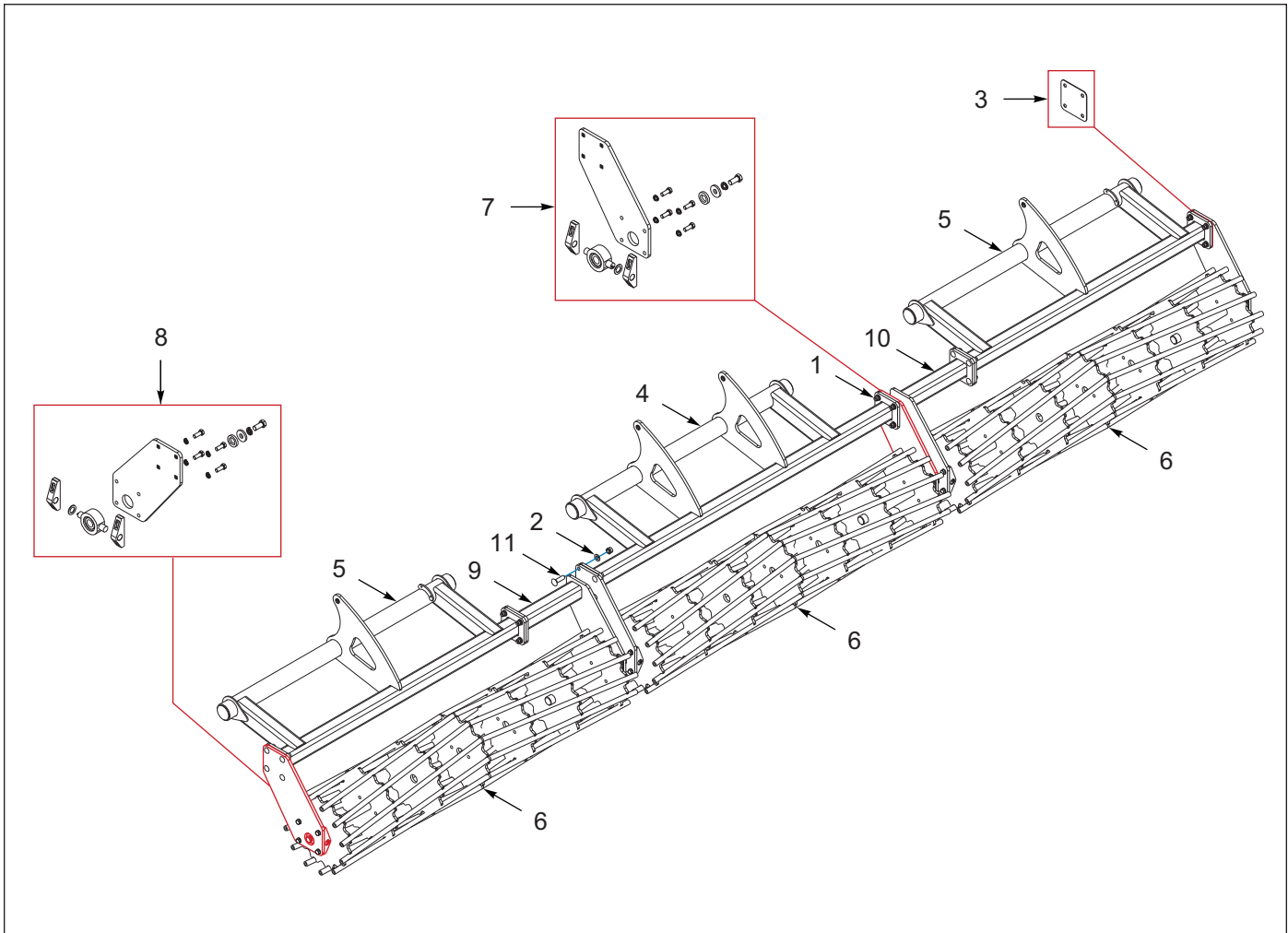


Figure 21-1: 25' Single Chevron Reel Assembly (BEFORE 03/01/2018)

## 25' Single Chevron Reel Assembly (BEFORE 03/01/2018)

ITEM	PART NUMBER	DESCRIPTION	QTY.
	192111	REEL SINGLE ASSEMBLY, 7831-40	--
1	1-512-010005-15	NUT, HEX SLFLKG, 3/4-10 UNC, GRB	24
2	1-861-010032-20	WASHER, FLAT,3/4 N ZP/CD	24
3	187755	PLATE, SHIM 11 GA	3
4	192127	ROCKSHAFT, REEL MOUNT WELDMENT	1
5	192939	ROCKSHAFT, REEL MOUNT WELDMENT	2
6	192949	REEL, 21 X 104 WELD	3
7	199889	PLATE, REEL MOUNT ASSEMBLY LH	2
8	199890	PLATE, REEL MOUNT ASSEMBLY RH	2
9	201241	EXTENSION-REEL MOUNT, ASSEMBLY	1
10	201242	EXTENSION-REEL MOUNT, ASSEMBLY	1
11	201250	SCREW,RD,HD,SQ NK,3/4-10X2-3/4	24



### 30' Single Chevron Reel Assembly (BEFORE 03/01/2018)

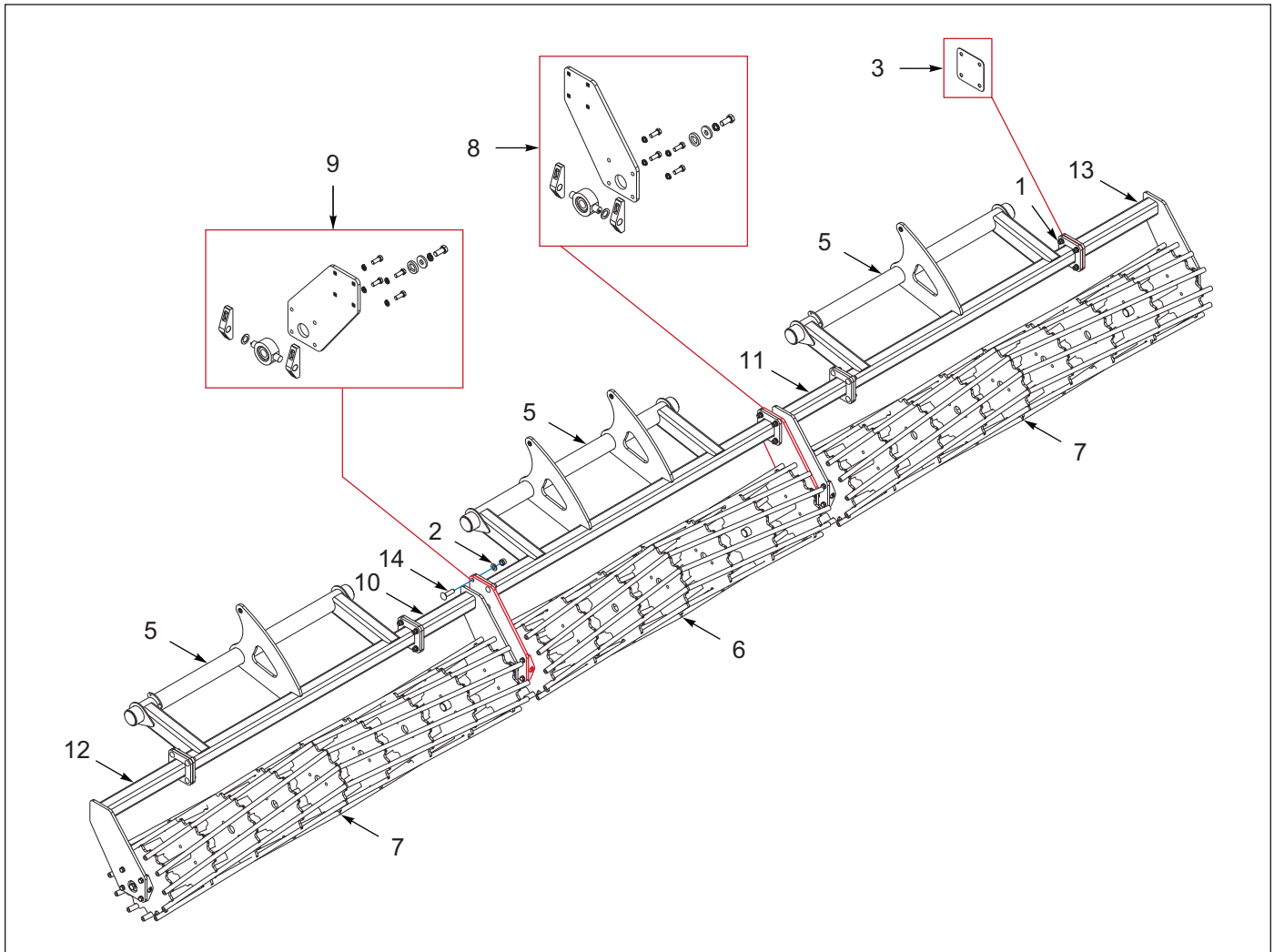


Figure 21-2: 30' Single Chevron Reel Assembly (BEFORE 03/01/2018)

### 30' Single Chevron Reel Assembly (BEFORE 03/01/2018)

ITEM	PART NUMBER	DESCRIPTION	QTY.
	192112	REEL SINGLE ASSEMBLY, 7831-30	--
1	1-512-010005-15	NUT, HEX SLFLKG, 3/4-10 UNC, GRB	24
2	1-861-010032-20	WASHER, FLAT,3/4 N ZP/CD	24
3	187755	PLATE, SHIM 11 GA	3
4	192127	ROCKSHAFT, REEL MOUNT WELDMENT	1
5	192939	ROCKSHAFT, REEL MOUNT WELDMENT	2
6	192949	REEL, 21 X 104 WELD	1
7	193807	REEL, 21 X 134 WELD	2
8	199889	PLATE, REEL MOUNT ASSEMBLY LH (SEE PAGE 19-1)	1
9	199890	PLATE, REEL MOUNT ASSEMBLY RH	1
10	201241	EXTENSION-REEL MOUNT, ASSEMBLY (SEE PAGE 19-2)	1
11	201242	EXTENSION-REEL MOUNT, ASSEMBLY (SEE PAGE 19-2)	1
12	201247	EXTENSION-REEL MOUNT, ASSEMBLY (SEE PAGE 19-2)	1
13	201248	EXTENSION-REEL MOUNT, ASSEMBLY (SEE PAGE 19-2)	1
14	201250	SCREW,RD,HD,SQ NK,3/4-10X2-3/4	24

### 35' Single Chevron Reel Assembly (BEFORE 03/01/2018)

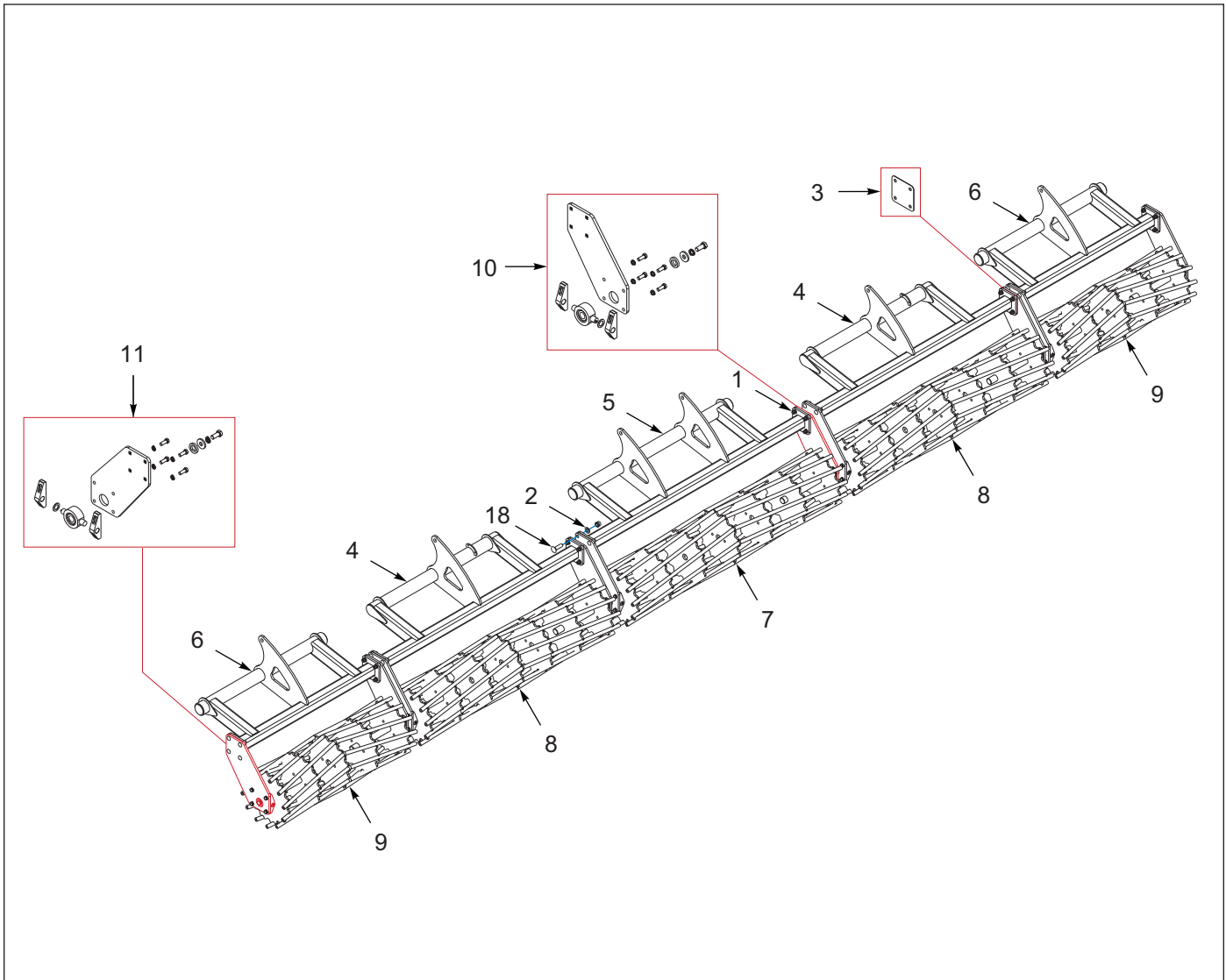


Figure 21-3: 35' Single Chevron Reel Assembly (BEFORE 03/01/2018)

### 35' Single Chevron Reel Assembly (BEFORE 03/01/2018)

ITEM	PART NUMBER	DESCRIPTION	QTY.
	192113	REEL SINGLE ASSEMBLY, 7831-30	--
1	1-512-010005-15	NUT, HEX SLFLKG, 3/4-10 UNC, GRB	40
2	1-861-010032-20	WASHER, FLAT,3/4 N ZP/CD	40
3	187755	PLATE, SHIM 11 GA	5
4	191757	ROCKSHAFT, REEL MOUNT WELDMENT	2
5	192127	ROCKSHAFT, REEL MOUNT WELDMENT	1
6	192498	ROCKSHAFT, REEL MOUNT WELDMENT	2
7	192949	REEL, 21 X 104 WELD	1
8	192951	REEL, 21 X 94 WELD	2
9	192953	REEL, 21 X 65 WELD	2
10	199889	PLATE, REEL MOUNT ASSEMBLY LH (SEE PAGE 19-1)	2
11	199890	PLATE, REEL MOUNT ASSEMBLY RH (SEE PAGE 19-1)	2
12	201250	SCREW,RD,HD,SQ NK,3/4-10X2-3/4	40

### 40' Single Chevron Reel Assembly (BEFORE 03/01/2018)

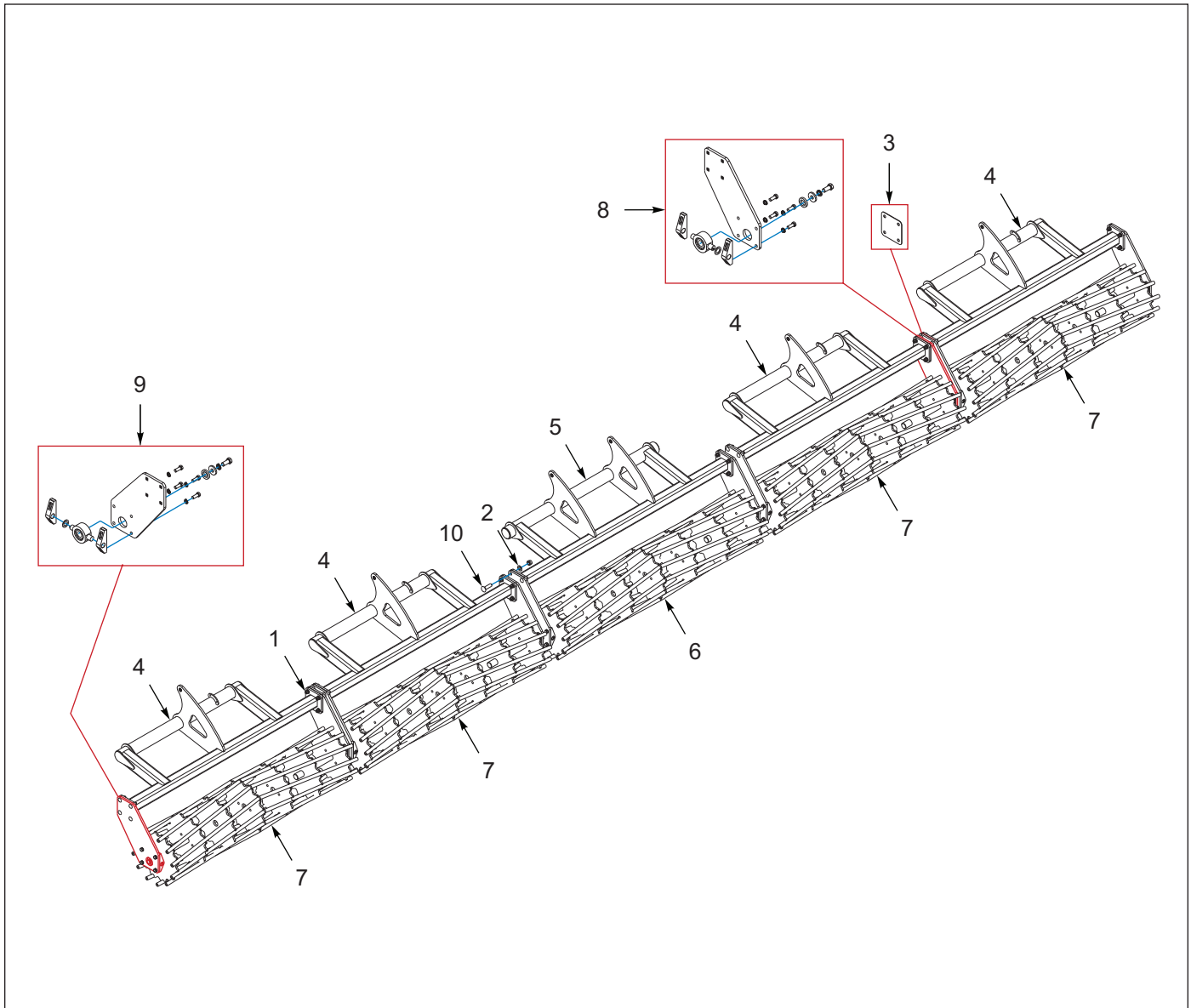


Figure 21-4: 40' Single Chevron Reel Assembly (BEFORE 03/01/2018)

### 40' Single Chevron Reel Assembly (BEFORE 03/01/2018)

ITEM	PART NUMBER	DESCRIPTION	QTY.
	192114	REEL SINGLE ASSEMBLY, 7831-30	--
1	1-512-010005-15	NUT, HEX SLFLKG, 3/4-10 UNC, GRB	40
2	1-861-010032-20	WASHER, FLAT,3/4 N ZP/CD	40
3	187755	PLATE, SHIM 11 GA	5
4	191757	ROCKSHAFT, REEL MOUNT WELDMENT	4
5	192127	ROCKSHAFT, REEL MOUNT WELDMENT	1
6	192949	REEL, 21 X 104 WELD	1
7	192951	REEL, 21 X 94 WELD	4
8	199889	PLATE, REEL MOUNT ASSEMBLY LH (SEE PAGE 19-1)	5
9	199890	PLATE, REEL MOUNT ASSEMBLY RH (SEE PAGE 19-1)	5
10	201250	SCREW,RD,HD,SQ NK,3/4-10X2-3/4	40

## 25' Single Chevron Reel Assembly (AFTER 03/01/2018)

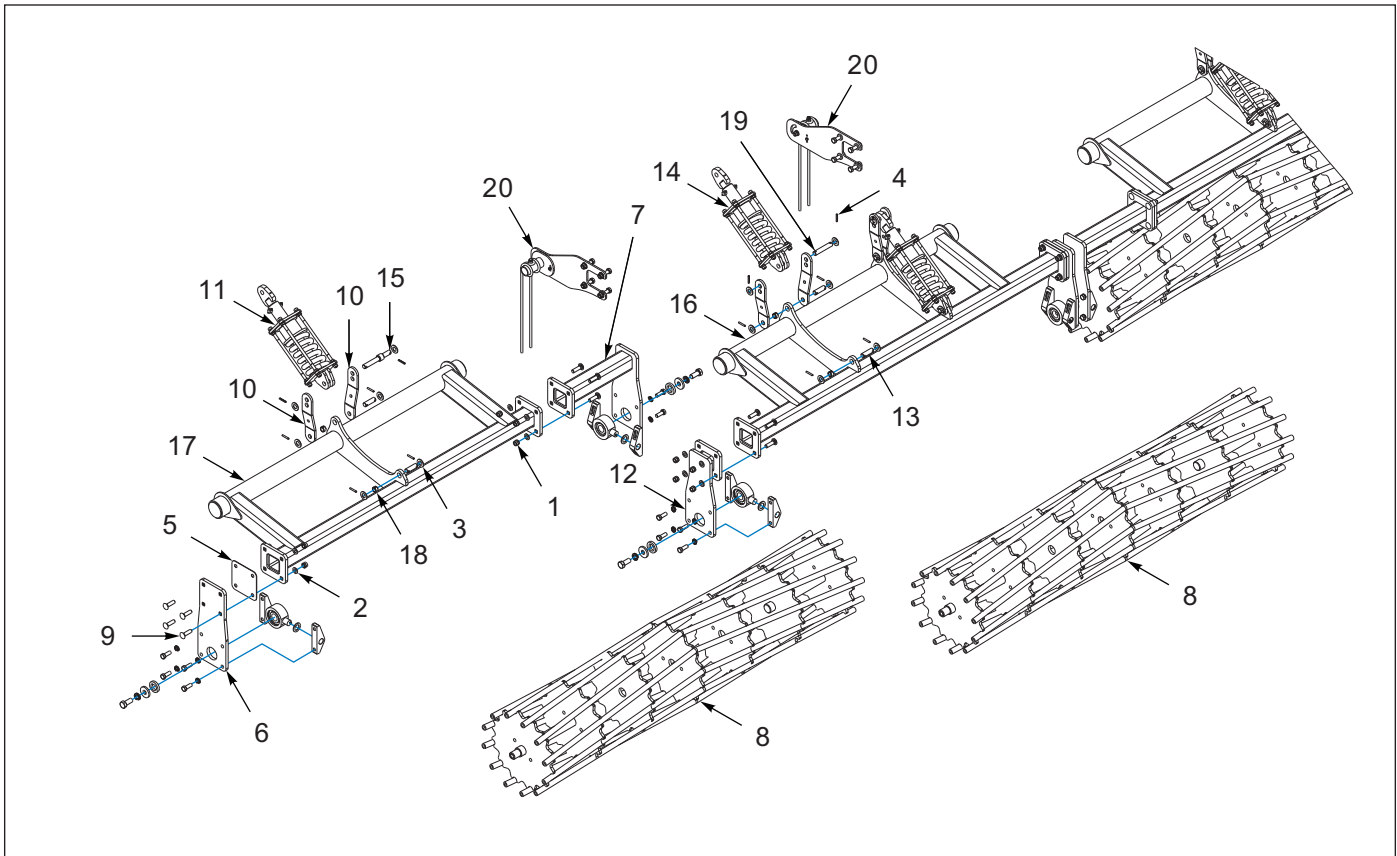


Figure 21-5: 25' Single Chevron Reel Assembly (AFTER 03/01/2018)

## 25' Single Chevron Reel Assembly (AFTER 03/01/2018)

ITEM	PART NUMBER	DESCRIPTION	QTY.
	192111	REEL SINGLE ASSEMBLY, 7831-40	--
1	1-512-010005-15	NUT, HEX SLFLKG, 3/4-10 UNC, GRB	24
2	1-861-010032-20	WASHER, FLAT, 3/4 NARROW ZP/CD	24
3	1-861-010032-24	WASHER, FLAT, 1IN NARROW ZP	24
4	147072	PIN, SPRING SLOTTED 5/16 X 2	24
5	187755	PLATE, SHIM 11 GA	3
6	191752	PLATE-REEL MOUNT, ASSEMBLY (SEE PAGE 19-1)	2
7	192106	EXTENSION-REEL MOUNT,ASSEMBLY (SEE PAGE 19-3)	2
8	192949	REEL, 21 X 104 INCH, WLDMT	3
9	201250	SCREW,RD,HD,SQ NK,3/4-10X2-3/4	24
10	207537	LINK IDLER	8
11	207577	LINK-SPRING, K3400 ASSY	2
12	208644	EXTENSION-REEL MOUNT, ASSEMBLY (SEE PAGE 19-3)	2
13	221955	ROCKSHAFT-REEL MOUNT, WLDMT (100 11/19 INCHES)	1
14	221956	ROCKSHAFT-REEL MOUNT, WLDMT (84 INCHES)	2
15	209162	PIN, 1 X 3-1/4, H2	8
16	209183	LINK-SPRING, K2700 ASSY	2
17	209196	PIN-REEL CONTROL	1
18	3P079	SPRING BUSHING,1 X 1.25 X 0.75	8
19	5J768	PIN	3
20	223387	KIT-TINE, DOUBLE, ROLLER, ASM (STD AFTER 12/15/20)	2

### 30' Single Chevron Reel Assembly (AFTER 03/01/2018)

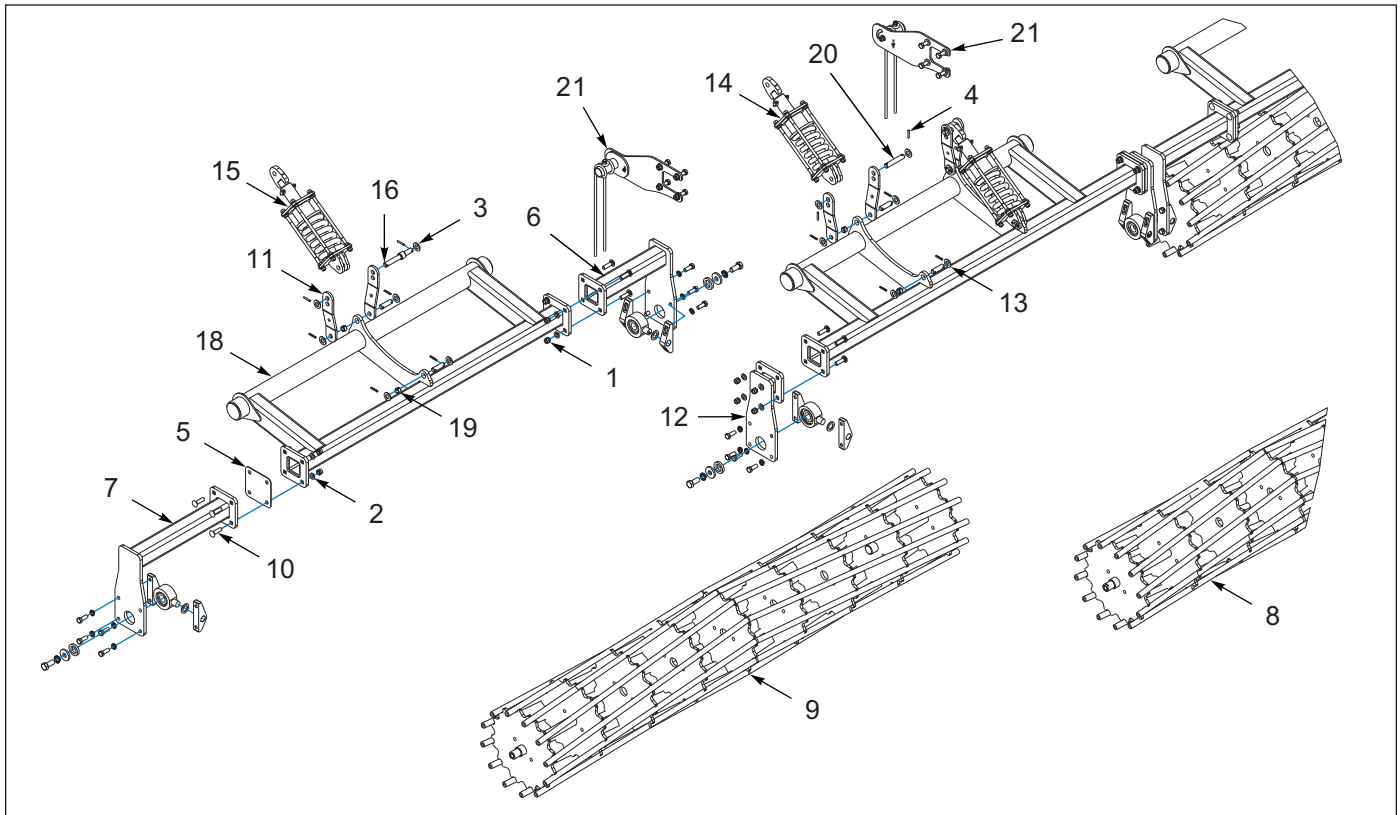


Figure 21-6: 30' Single Chevron Reel Assembly (AFTER 03/01/2018)

### 30' Single Chevron Reel Assembly (AFTER 03/01/2018)

ITEM	PART NUMBER	DESCRIPTION	QTY.
	192112	REEL SINGLE ASSEMBLY, 7831-30	--
1	1-512-010005-15	NUT, HEX SLFLKG, 3/4-10 UNC, GRB	24
2	1-861-010032-20	WASHER, FLAT, 3/4 NARROW ZP/CD	24
3	1-861-010032-24	WASHER, FLAT, 1IN NARROW ZP	24
4	147072	PIN, SPRING SLOTTED 5/16 X 2	24
5	187755	PLATE, SHIM 11 GA	3
6	192106	EXTENSION-REEL MOUNT, ASSEMBLY (SEE PAGE 19-4)	2
7	192109	EXTENSION-REEL MOUNT, ASSEMBLY (SEE PAGE 19-4)	2
8	192949	REEL, 21 X 104 INCH, WLDMT	1
9	193807	REEL, 21 X 134 INCH, WLDMT	2
10	201250	SCREW, RD, HD, SQ NK, 3/4-10X2-3/4	24
11	207537	LINK IDLER	8
12	208644	EXTENSION-REEL MOUNT, ASSEMBLY (SEE PAGE 19-4)	2
13	221955	ROCKSHAFT-REEL MOUNT, WLDMT (100 11/19 INCHES)	1
14	221956	ROCKSHAFT-REEL MOUNT, WLDMT (84 INCHES)	2
15	209162	PIN, 1 X 3-1/4, H2	8
16	209183	LINK-SPRING, K2700 ASSY	2
17	209184	LINK-SPRING, K4600 ASSY	2
18	209196	PIN-REEL CONTROL	1
19	3P079	SPRING BUSHING, 1 X 1.25 X 0.75	8
20	5J768	PIN	3
21	223387	KIT-TINE, DOUBLE, ROLLER, ASM (STD AFTER 12/15/2020)	2

### 35' Single Chevron Reel Assembly (AFTER 03/01/2018)

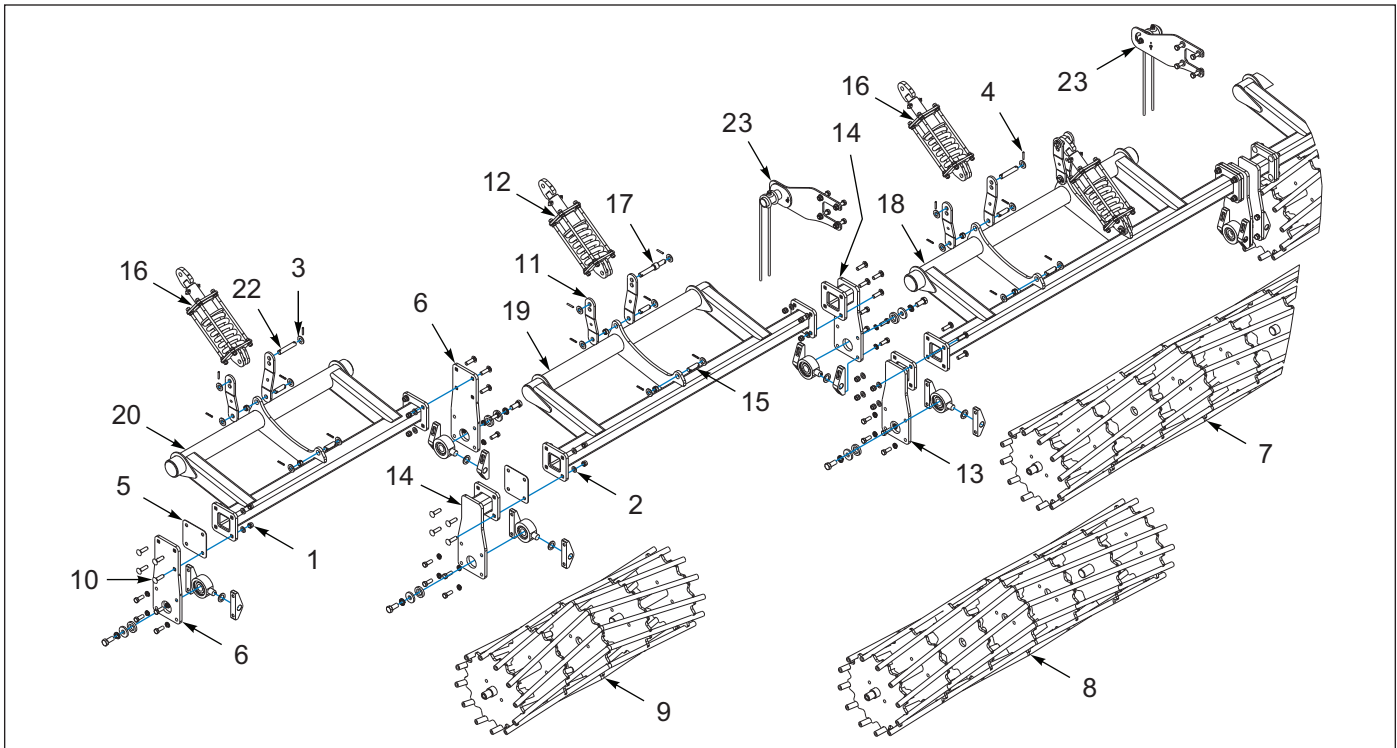


Figure 21-7: 35' Single Chevron Reel Assembly (AFTER 03/01/2018)

### 35' Single Chevron Reel Assembly (AFTER 03/01/2018)

ITEM	PART NUMBER	DESCRIPTION	QTY.
	192113	REEL SINGLE ASSEMBLY, 7831-30	--
1	1-512-010005-15	NUT, HEX SLFLKG, 3/4-10 UNC, GRB	40
2	1-861-010032-20	WASHER, FLAT, 3/4 NARROW ZP/CD	40
3	1-861-010032-24	WASHER, FLAT, 1IN NARROW ZP	36
4	147072	PIN, SPRING SLOTTED 5/16 X 2	36
5	187755	PLATE, SHIM 11 GA	5
6	191752	PLATE-REEL MOUNT, ASSEMBLY	4
7	192949	REEL, 21 X 104 INCH, WLDMT	1
8	192951	REEL, 21 X 94 INCH, WLDMT	2
9	192953	REEL, 21 X 65 INCH, WLDMT	2
10	201250	SCREW,RD,HD,SQ NK,3/4-10X2-3/4	40
11	207537	LINK IDLER	12
12	207577	LINK-SPRING, K3400 ASSY	2
13	208644	EXTENSION-REEL MOUNT, ASSEMBLY (SEE PAGE 1-123)	2
14	208647	EXTENSION-REEL MOUNT, ASSEMBLY (SEE PAGE 1-123)	4
15	221955	ROCKSHAFT-REEL MOUNT, WLDMT (100 11/19 INCHES)	1
16	221957	ROCKSHAFT-REEL MOUNT, WLDMT (85 7/8 INCHES)	2
17	221958	ROCKSHAFT-REEL MOUNT, WLDMT (66 1/2 INCHES)	2
18	209162	PIN, 1 X 3-1/4, H2	12
19	209183	LINK-SPRING, K2700 ASSY	4
20	209196	PIN-REEL CONTROL	1
21	3P079	SPRING BUSHING,1 X 1.25 X 0.75	12
22	5J768	PIN	5
23	223387	KIT-TINE, DOUBLE, ROLLER, ASM (SEE PAGE 21-9)	2



### 40' Single Chevron Reel Assembly (AFTER 03/01/2018)

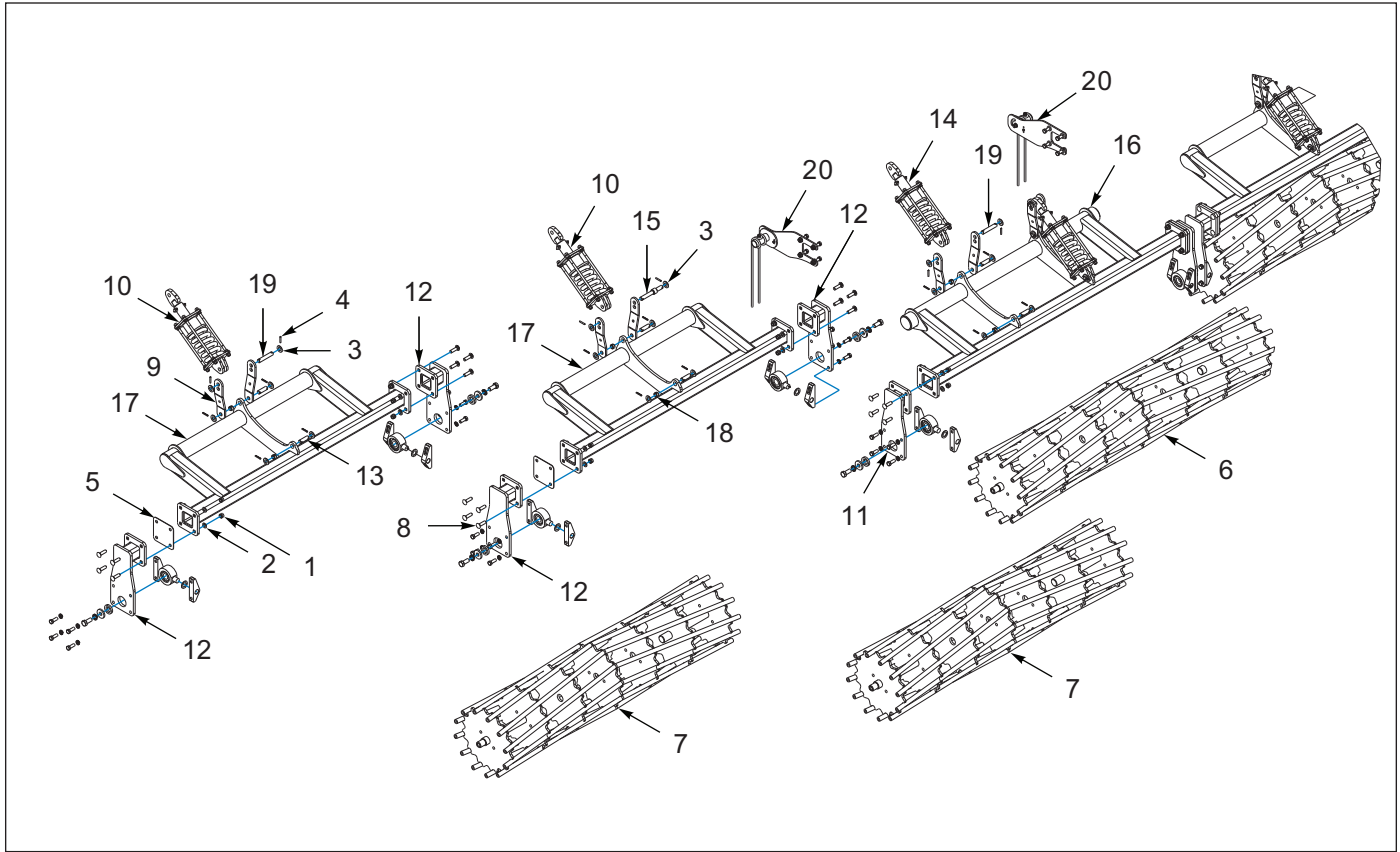


Figure 21-8: 40' Single Chevron Reel Assembly (AFTER 03/01/2018)

### 40' Single Chevron Reel Assembly (AFTER 03/01/2018)

ITEM	PART NUMBER	DESCRIPTION	QTY.
	192114	REEL SINGLE ASSEMBLY, 7831-30	--
1	1-512-010005-15	NUT, HEX SLFLKG, 3/4-10 UNC, GRB	40
2	1-861-010032-20	WASHER, FLAT, 3/4 NARROW ZP/CD	40
3	1-861-010032-24	WASHER, FLAT, 1IN NARROW ZP	36
4	147072	PIN, SPRING SLOTTED 5/16 X 2	36
5	187755	PLATE, SHIM 11 GA	5
6	192949	REEL, 21 X 104 INCH, WLDMT	1
7	192951	REEL, 21 X 94 INCH, WLDMT	4
8	201250	SCREW, RD, HD, SQ NK, 3/4-10X2-3/4	40
9	207537	LINK IDLER	12
10	207577	LINK-SPRING, K3400 ASSY	4
11	208644	EXTENSION-REEL MOUNT, ASSEMBLY (SEE PAGE 19-6)	2
12	208647	EXTENSION-REEL MOUNT, ASSEMBLY (SEE PAGE 19-6)	8
13	221955	ROCKSHAFT-REEL MOUNT, WLDMT (100 11/19 INCHES)	1
14	221957	ROCKSHAFT-REEL MOUNT, WLDMT (85 7/8 INCHES)	4
15	209162	PIN, 1 X 3-1/4, H2	12
16	209183	LINK-SPRING, K2700 ASSY	2
17	209196	PIN-REEL CONTROL	1
18	3P079	SPRING BUSHING, 1 X 1.25 X 0.75	12
19	5J768	PIN	5
20	223387	KIT-TINE, DOUBLE, ROLLER, ASM (SEE PAGE 21-9)	2

## Double Tine Kit

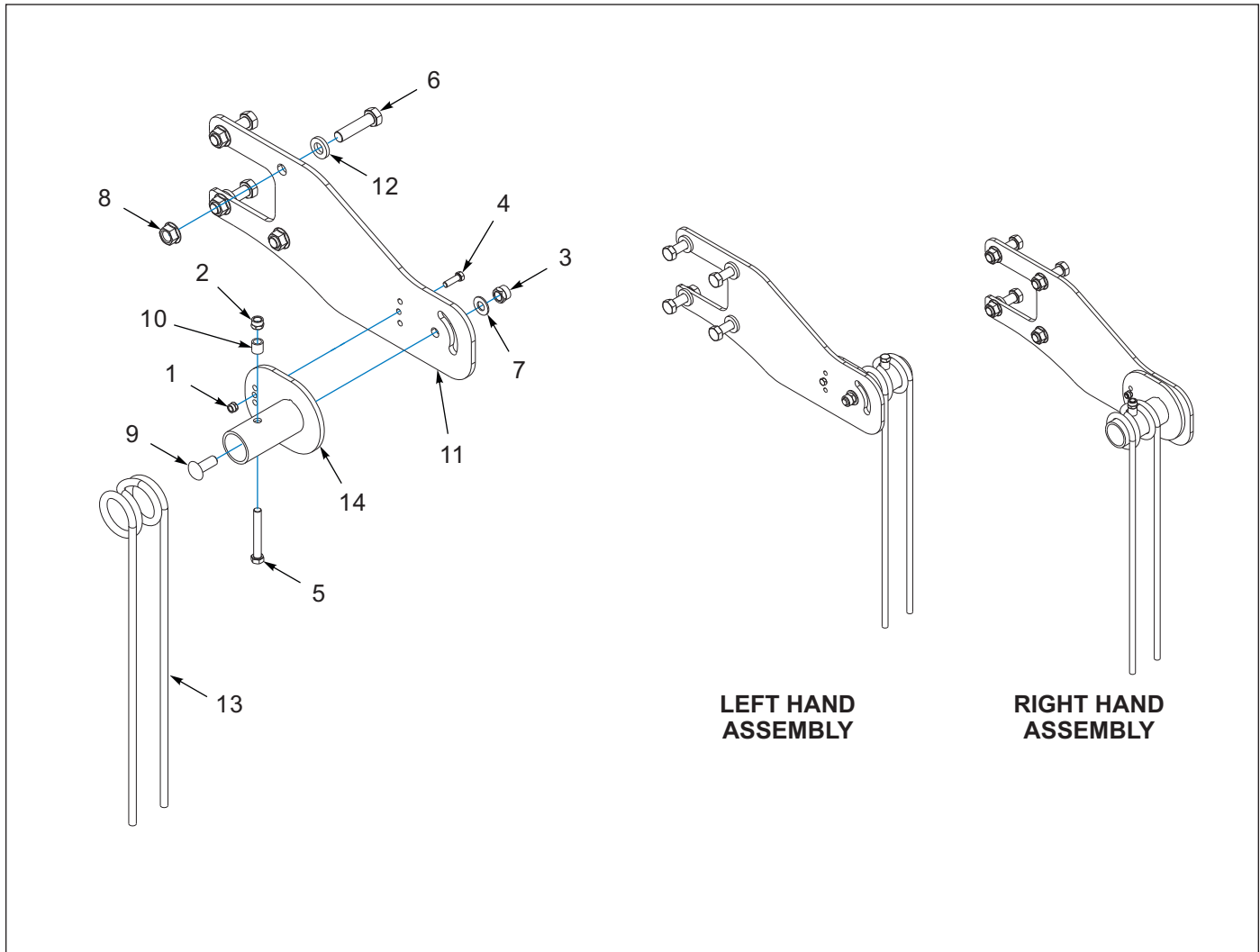


Figure 21-9: Double Tine Kit

## Double Tine Kit

ITEM	PART NUMBER	DESCRIPTION	QTY.
	223387	DOUBLE TINE KIT (STD ON 35' & 40' AFTER 12/15/2020)	--
1	1-512-010005-05	NUT, HEX, SLFLKG GRB 3/8-16	1
2	1-512-010005-09	NUT, HEX, SLFLKG, 1/2-13 GRB	1
3	1-512-010005-13	NUT, HEX SLFLKG GRB 5/8-11	1
4	1-654-010051-06	SCREW, HEX CAP 3/8-16UNCX1-1/4	1
5	1-654-010055-12	SCREW, CP, HX .50-13UNCX3.75 GR5	1
6	1-654-010061-09	SCREW HX CP 3/4-10UNCX3 GR5	4
7	1-861-010032-18	WASHER, FLAT 5/8 N ZP/CD	1
8	103841	NUT, FLG, LNK, SERRATED 3/4-10UNC	4
9	133662	SCRW RDHD SHT SQNK5/8-11X1.75	1
10	154997	TUBE 0.75ODX0.532IDX0.75 ZP	1
11	223372	PLATE-TINE MOUNT	1
12	223381	WASHER, 1-1/2 X 13/16 X 1/4	4
13	223384	TINE-DOUBLE, SPRING, 3 X 24	1
14	223385	MOUNT-TINE, ROLLER, WLDMT	1





# Spring Reel Assemblies

## 25' Spring Reel Assembly (BEFORE 03/01/2018)

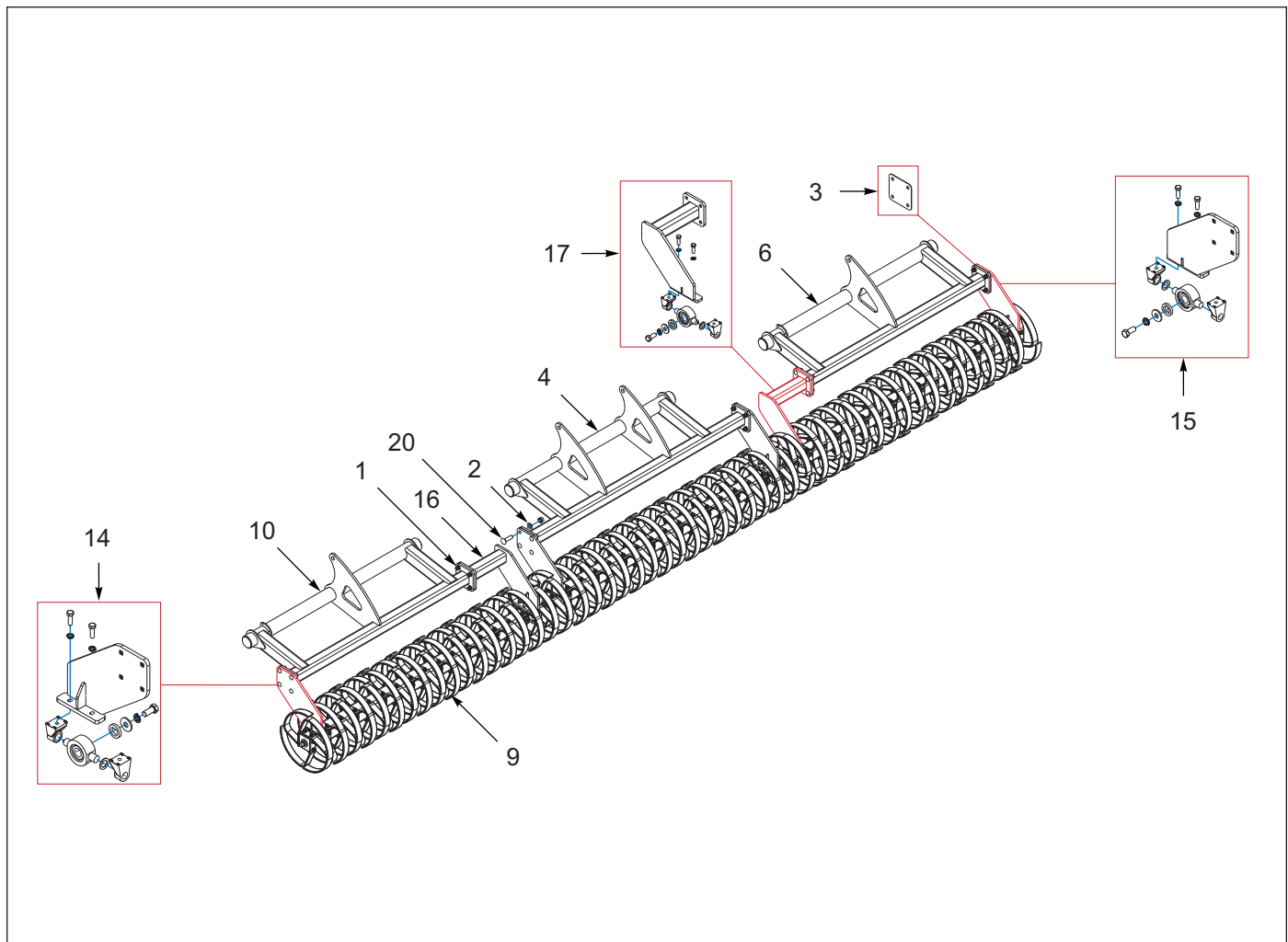


Figure 22-1: 25' Spring Reel Assembly (BEFORE 03/01/2018)

## 25' Spring Reel Assembly (BEFORE 03/01/2018)

ITEM	PART NUMBER	DESCRIPTION	QTY.
	195238	REEL SPRING ASSEMBLY, 7831- 25	--
1	1-512-010005-15	NUT,HEX,SLFLKG GRB 3/4-10	24
2	1-861-010032-20	WASHER, FLAT, 3/4 N ZP/CD	24
3	187755	PLATE SHIM 11 GA	3
4	191754	ROCKSHAFT WLDMT SPRING REEL MT	1
9	192504	REEL ASSY SPRING CENTER (SEE PAGE 22-9)	3
10	192939	ROCKSHAFT WLDMT REEL MOUNT	2
14	199901	MOUNT ASSY SPRING REEL (SEE PAGE 22-15)	2
15	199902	MOUNT ASSY SPRING REEL (SEE PAGE 22-15)	2
16	201231	EXTENSION ASSY SPRING REEL(SEE PAGE 22-17)	1
17	201232	EXTENSION ASSY SPRING REEL(SEE PAGE 22-17)	1
20	201250	SCREW,RD,HD,SQ NK,3/4-10X2-3/4	24

### 30' Spring Reel Assembly (BEFORE 03/01/2018)

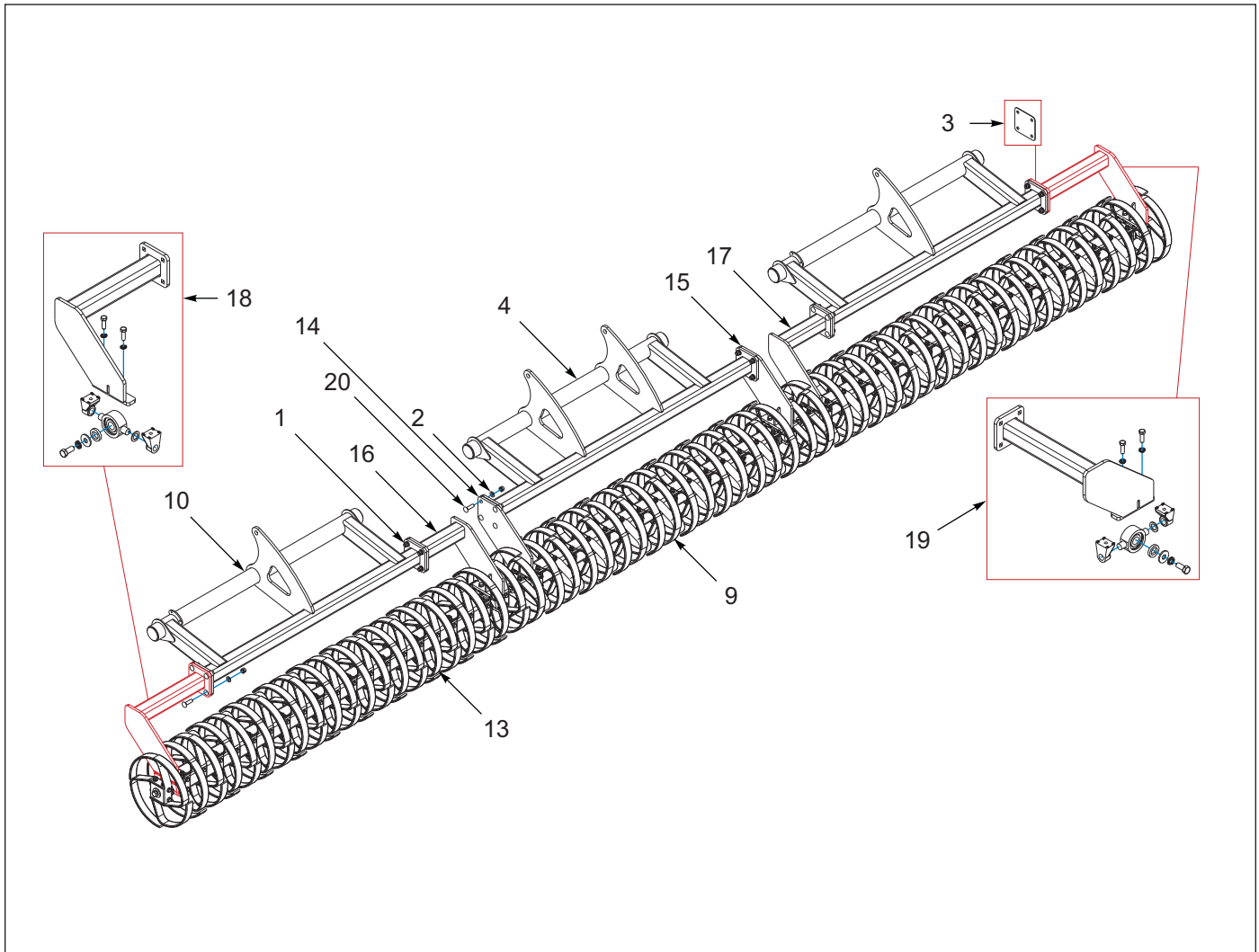


Figure 22-2: 30' Spring Reel Assembly (BEFORE 03/01/2018)

### 30' Spring Reel Assembly (BEFORE 03/01/2018)

ITEM	PART NUMBER	DESCRIPTION	QTY.
	195239	REEL SPRING ASSEMBLY, 7831- 30	--
1	1-512-010005-15	NUT,HEX,SLFLKG GRB 3/4-10	24
2	1-861-010032-20	WASHER, FLAT, 3/4 N ZP/CD	24
3	187755	PLATE SHIM 11 GA	3
4	191754	ROCKSHAFT WLDMT SPRING REEL MT	1
9	192504	REEL ASSY SPRING CENTER (SEE PAGE 22-9)	1
10	192939	ROCKSHAFT WLDMT REEL MOUNT	2
13	195210	REEL ASSY SPRING 135-1/2"	2
14	199901	MOUNT ASSY SPRING REEL (SEE PAGE 22-15)	1
15	199902	MOUNT ASSY SPRING REEL (SEE PAGE 22-15)	1
16	201231	EXTENSION ASSY SPRING REEL(SEE PAGE 22-17)	1
17	201232	EXTENSION ASSY SPRING REEL(SEE PAGE 22-17)	1
18	201235	EXTENSION ASSY SPRING REEL(SEE PAGE 22-17)	1
19	201236	EXTENSION ASSY SPRING REEL(SEE PAGE 22-17)	1
20	201250	SCREW, RD, HD, SQ NK, 3/4-10X2-3/4	24

### 35' Spring Reel Assembly (BEFORE 03/01/2018)

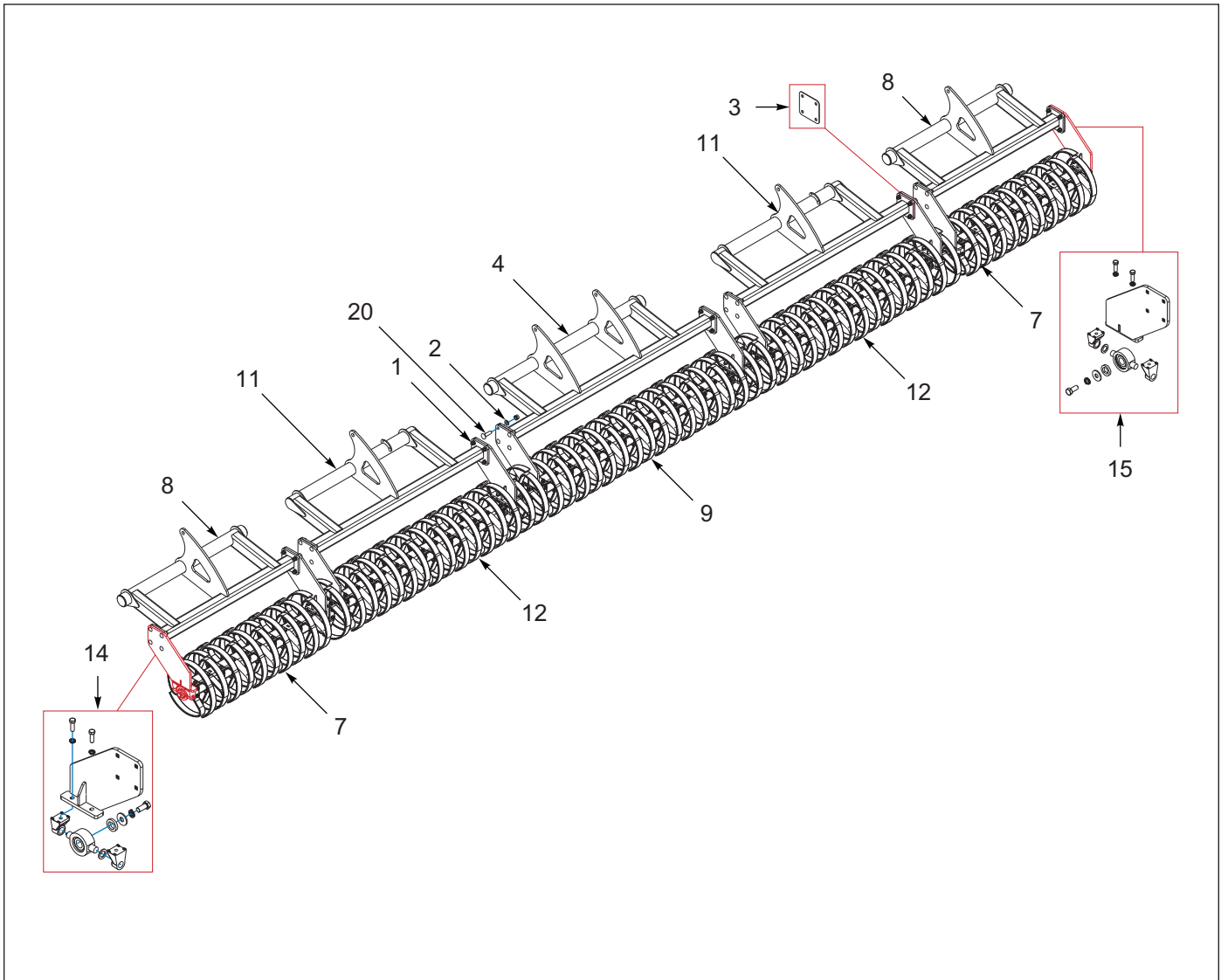


Figure 22-3: 35' Spring Reel Assembly (BEFORE 03/01/2018)

### 35' Spring Reel Assembly (BEFORE 03/01/2018)

ITEM	PART NUMBER	DESCRIPTION	QTY.
	191147	REEL SPRING ASSEMBLY, 7831- 35	--
1	1-512-010005-15	NUT,HEX,SLFLKG GRB 3/4-10	40
2	1-861-010032-20	WASHER, FLAT, 3/4 N ZP/CD	40
3	187755	PLATE SHIM 11 GA	5
4	191754	ROCKSHAFT WLDMT SPRING REEL MT	1
7	191765	REEL ASSY SPRING 64 - 3/4" (SEE PAGE 22-10)	2
8	192498	ROCKSHAFT WLDMT REEL MOUNT	2
9	192504	REEL ASSY SPRING CENTER (SEE PAGE 22-9)	1
11	193808	ROCKSHAFT WLDMT REEL MOUNT	2
12	193810	REEL ASSY SPRING INTERMED	2
14	199901	MOUNT ASSY SPRING REEL (SEE PAGE 22-15)	5
15	199902	MOUNT ASSY SPRING REEL (SEE PAGE 22-15)	5
20	201250	SCREW, RD, HD, SQ NK, 3/4-10X2-3/4	40

### 40' Spring Reel Assembly (BEFORE 03/01/2018)

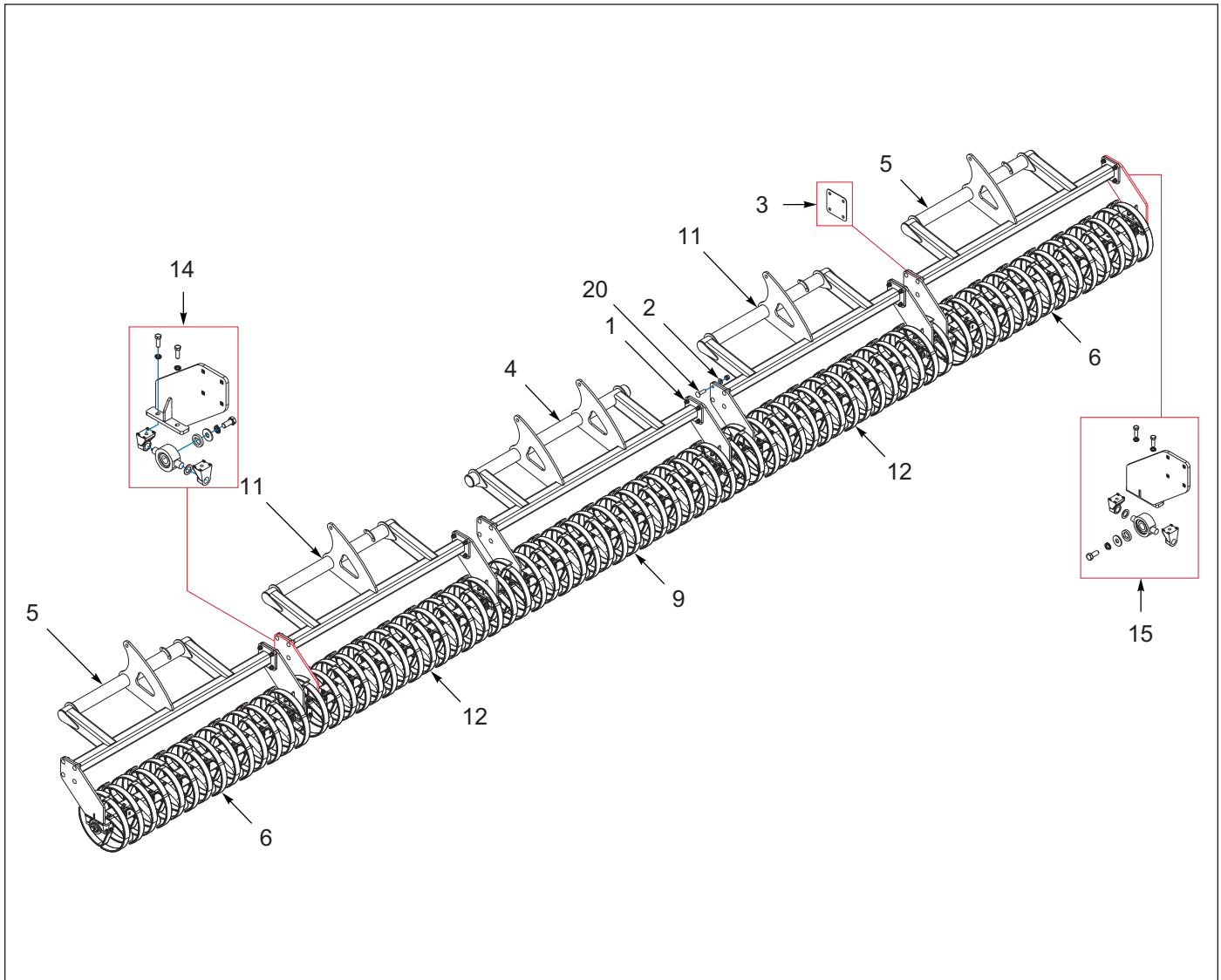


Figure 22-4: 40' Spring Reel Assembly (BEFORE 03/01/2018)

### 40' Spring Reel Assembly (BEFORE 03/01/2018)

ITEM	PART NUMBER	DESCRIPTION	QTY.
	191148	REEL SPRING ASSEMBLY, 7831- 40	--
1	1-512-010005-15	NUT,HEX,SLFLKG GRB 3/4-10	40
2	1-861-010032-20	WASHER, FLAT, 3/4 N ZP/CD	40
3	187755	PLATE SHIM 11 GA	5
4	191754	ROCKSHAFT WLDMT SPRING REEL MT	1
5	191757	ROCKSHAFT WLDMT REEL MOUNT	2
6	191762	REEL ASSY SPRING 94 - 3/8" (SEE PAGE 22-11)	2
9	192504	REEL ASSY SPRING CENTER (SEE PAGE 22-9)	1
11	193808	ROCKSHAFT WLDMT REEL MOUNT	2
12	193810	REEL ASSY SPRING INTERMED	2
14	199901	MOUNT ASSY SPRING REEL (SEE PAGE 22-15)	5
15	199902	MOUNT ASSY SPRING REEL (SEE PAGE 22-15)	5
20	201250	SCREW, RD, HD, SQ NK, 3/4-10X2-3/4	40

## 25' Spring Reel Assembly (AFTER 03/01/2018)

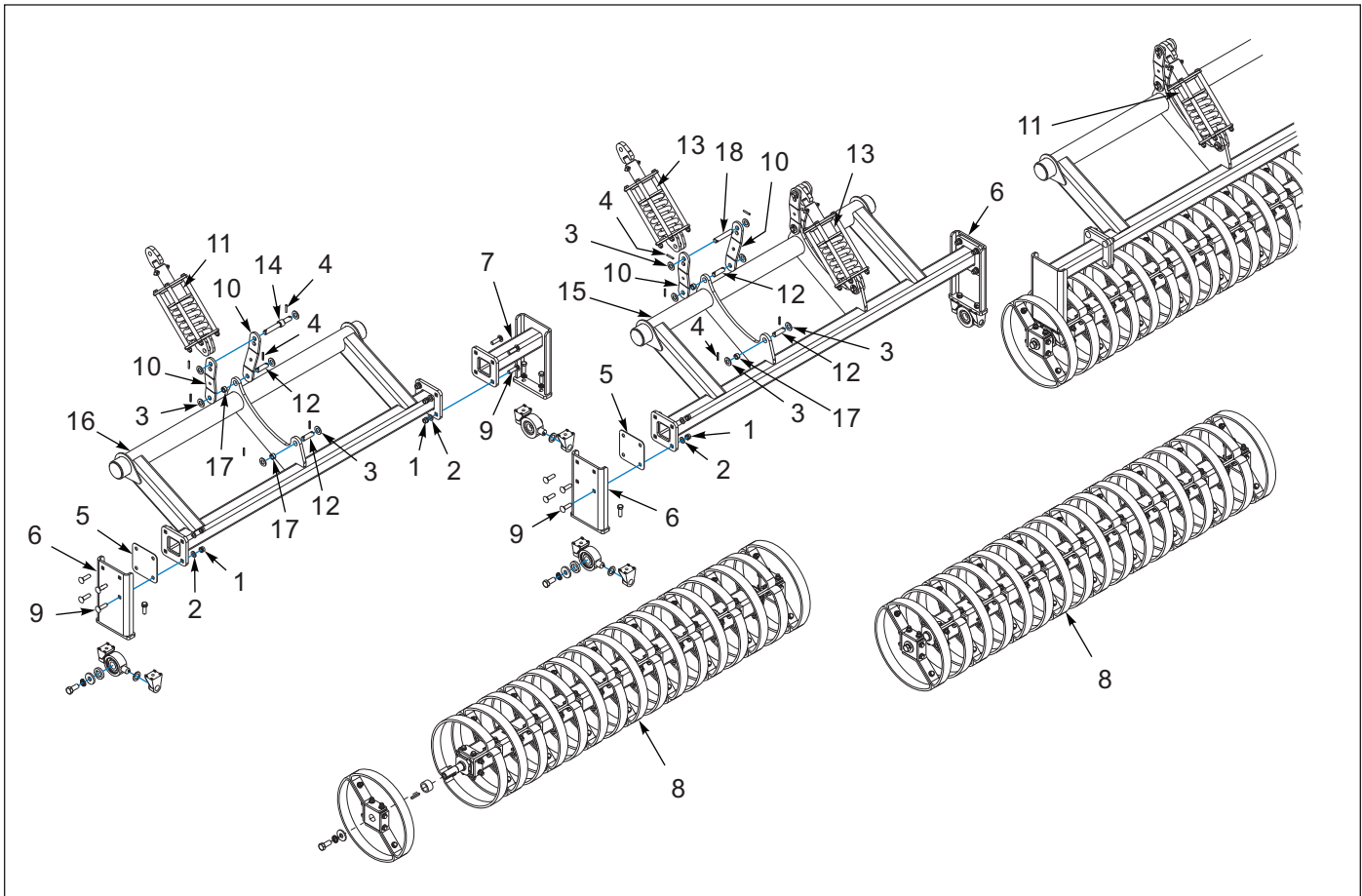


Figure 22-5: 25' Spring Reel Assembly (AFTER 03/01/2018)

## 25' Spring Reel Assembly (AFTER 03/01/2018)

ITEM	PART NUMBER	DESCRIPTION	QTY.
	198777	REEL SPRING ASSEMBLY, 7832- 25	--
1	1-512-010005-15	NUT,HEX,SLFLKG GRB 3/4-10	24
2	1-861-010032-20	WASHER, FLAT,3/4 N ZP/CD	24
3	1-861-010032-24	WASHER FL 1IN NARROW ZP	24
4	147072	PIN, SPRING SLOTTED 5/16 X 2	24
5	187755	PLATE, SHIM 11 GA	3
6	191759	MOUNT, SPRING-REEL, ASSY (SEE PAGE 22-16)	4
7	195225	EXTENSION SPRING REEL ASSY (SEE PAGE 22-18)	2
8	197345	REEL ASSY SPRING CENTER (SEE PAGE 22-12)	3
9	201250	SCREW, RD, HD, SQ NK,3/4-10X2-3/4	24
10	207537	LINK IDLER	8
11	207577	LINK-SPRING, K3400 ASSY	2
12	209162	PIN, 1 X 3-1/4, H2	8
13	209183	LINK-SPRING, K2700 ASSY	2
14	209196	PIN, REEL CONTROL	1
15	221955	ROCKSHAFT-REEL MOUNT, WLDMT	1
16	221956	ROCKSHAFT-REEL MOUNT, WLDMT	2
17	3P079	SPRING BUSHING,1 X 1.25 X 0.75	8
18	5J768	PIN	3



### 30' Spring Reel Assembly (AFTER 03/01/2018)

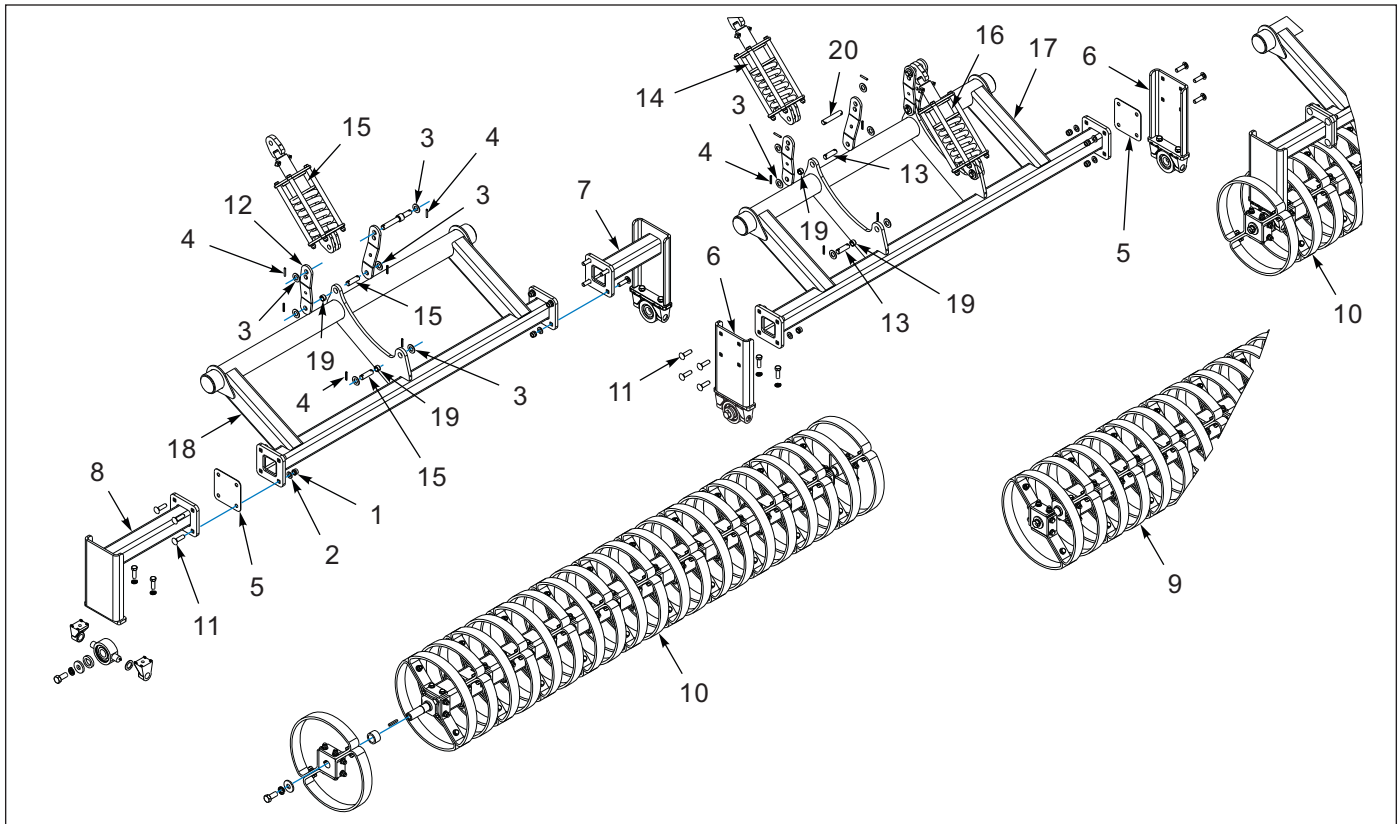


Figure 22-6: 30' Spring Reel Assembly (AFTER 03/01/2018)

### 30' Spring Reel Assembly (AFTER 03/01/2018)

ITEM	PART NUMBER	DESCRIPTION	QTY.
	198778	REEL SPRING ASSEMBLY, 7832- 30	--
1	1-512-010005-15	NUT,HEX,SLFLKG GRB 3/4-10	24
2	1-861-010032-20	WASHER, FLAT,3/4 N ZP/CD	24
3	1-861-010032-24	WASHER FL 1IN NARROW ZP	24
4	147072	PIN, SPRING SLOTTED 5/16 X 2	24
5	187755	PLATE, SHIM 11 GA	3
6	191759	MOUNT, SPRING-REEL, ASSY (SEE PAGE 22-16)	2
7	195225	EXTENSION SPRING REEL ASSY (SEE PAGE 22-18)	2
8	195232	EXTENSION SPRING REEL ASSY (SEE PAGE 22-18)	2
9	197345	REEL-SPRING, CENTER, ASSY (SEE PAGE 22-12)	1
10	197348	REEL ASSY SPRING 135" (SEE PAGE 22-14)	2
11	201250	SCREW, RD, HD, SQ NK,3/4-10X2-3/4	24
12	207537	LINK IDLER	8
13	209162	PIN, 1 X 3-1/4, H2	8
14	209183	LINK-SPRING, K2700 ASSY	2
15	209184	LINK-SPRING, K4600 ASSY	2
16	209196	PIN, REEL CONTROL	1
17	221955	ROCKSHAFT-REEL MOUNT, WLDMT	1
18	221956	ROCKSHAFT-REEL MOUNT, WLDMT	2
19	3P079	SPRING BUSHING,1 X 1.25 X 0.75	8
20	5J768	PIN	3

### 35' Spring Reel Assembly (AFTER 03/01/2018)

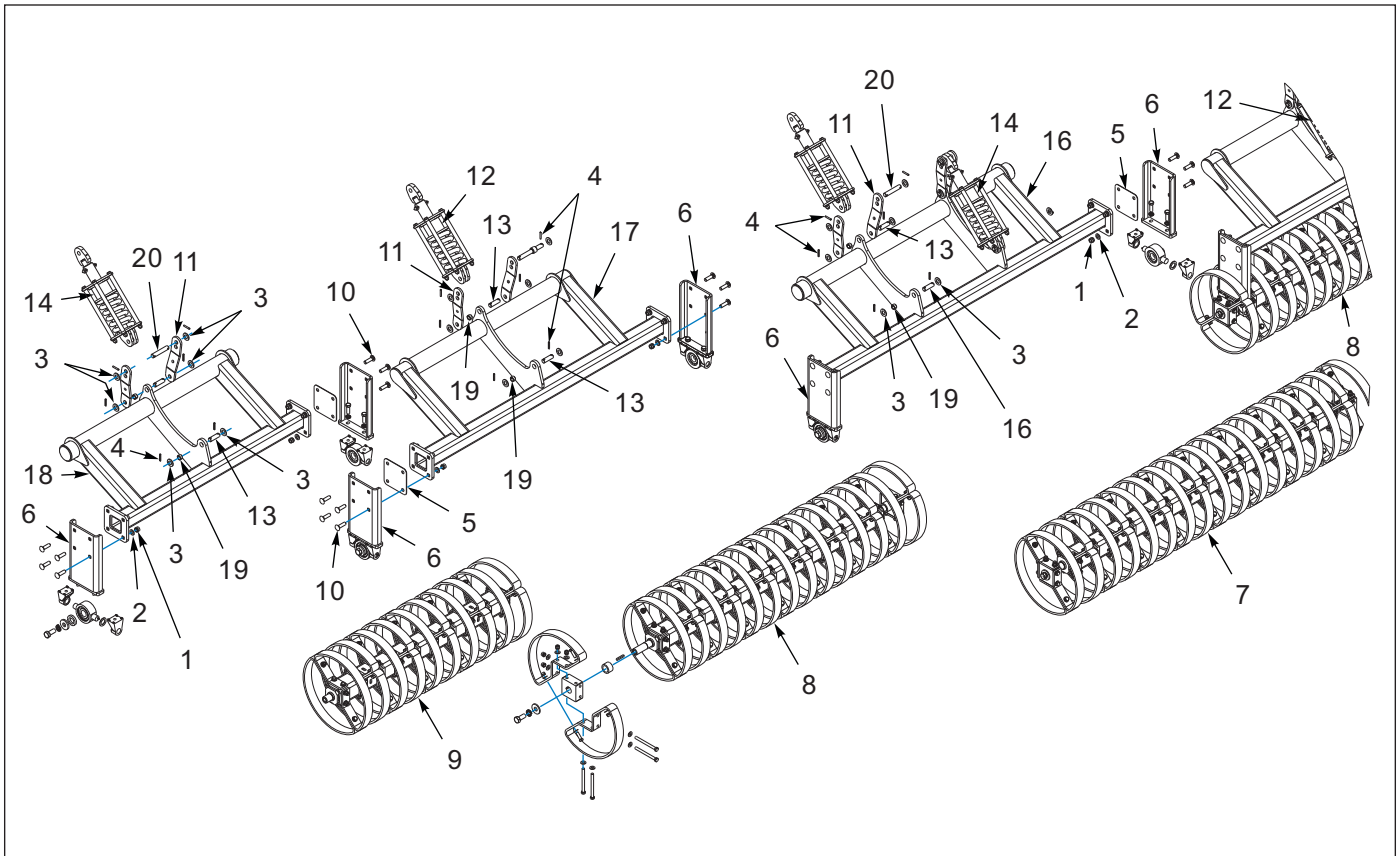


Figure 22-7: 35' Spring Reel Assembly (AFTER 03/01/2018)

### 35' Spring Reel Assembly (AFTER 03/01/2018)

ITEM	PART NUMBER	DESCRIPTION	QTY.
	198779	REEL SPRING ASSEMBLY, 7832- 35	--
1	1-512-010005-15	NUT,HEX,SLFLKG GRB 3/4-10	40
2	1-861-010032-20	WASHER, FLAT,3/4 N ZP/CD	40
3	1-861-010032-24	WASHER FL 1IN NARROW ZP	36
4	147072	PIN, SPRING SLOTTED 5/16 X 2	36
5	187755	PLATE, SHIM 11 GA	5
6	191759	MOUNT, SPRING-REEL, ASSY (SEE PAGE 22-16)	10
7	197345	REEL-SPRING, CENTER, ASSY (SEE PAGE 22-12)	1
8	197354	REEL ASSY SPRING INTERMED (SEE PAGE 22-13)	2
9	197357	REEL-SPRING, 64-3/4 INCH ASSM (SEE PAGE 22-10)	2
10	201250	SCREW, RD, HD, SQ NK,3/4-10X2-3/4	40
11	207537	LINK IDLER	12
12	207577	LINK-SPRING, K3400 ASSY	2
13	209162	PIN, 1 X 3-1/4, H2	12
14	209183	LINK-SPRING, K2700 ASSY	4
15	209196	PIN, REEL CONTROL	1
16	221955	ROCKSHAFT-REEL MOUNT, WLDMT	1
17	221957	ROCKSHAFT-REEL MOUNT, WLDMT	2
18	221958	ROCKSHAFT-REEL MOUNT, WLDMT	2
19	3P079	SPRING BUSHING,1 X 1.25 X 0.75	12
20	5J768	PIN	5



### 40' Spring Reel Assembly (AFTER 03/01/2018)

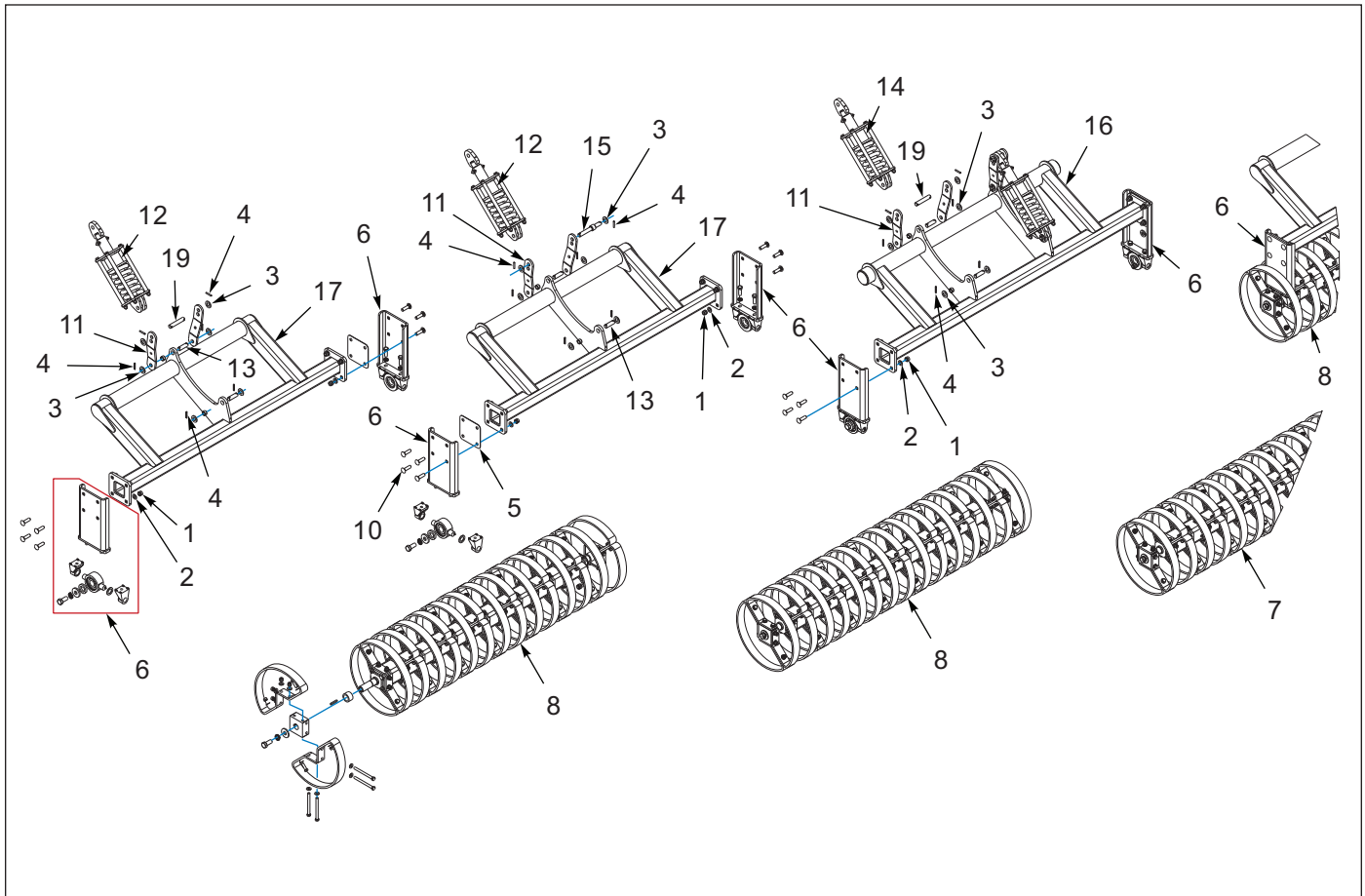


Figure 22-8: 40' Spring Reel Assembly (AFTER 03/01/2018)

### 40' Spring Reel Assembly (AFTER 03/01/2018)

ITEM	PART NUMBER	DESCRIPTION	QTY.
	198780	REEL SPRING ASSEMBLY, 7832- 40	--
1	1-512-010005-15	NUT,HEX,SLFLKG GRB 3/4-10	40
2	1-861-010032-20	WASHER, FLAT,3/4 N ZP/CD	40
3	1-861-010032-24	WASHER FL 1IN NARROW ZP	36
4	147072	PIN, SPRING SLOTTED 5/16 X 2	36
5	187755	PLATE, SHIM 11 GA	5
6	191759	MOUNT, SPRING-REEL, ASSY (SEE PAGE 22-16)	10
7	197345	REEL ASSY SPRING CENTER (SEE PAGE 22-12)	1
8	197354	REEL ASSY SPRING INTERMED (SEE PAGE 22-13)	4
9	201250	SCREW, RD, HD, SQ NK,3/4-10X2-3/4	40
10	207537	LINK IDLER	12
11	207577	LINK-SPRING, K3400 ASSY	4
12	209162	PIN, 1 X 3-1/4, H2	12
13	209183	LINK-SPRING, K2700 ASSY	2
14	209196	PIN, REEL CONTROL	1
15	221955	ROCKSHAFT-REEL MOUNT, WLDMT	1
16	221957	ROCKSHAFT-REEL MOUNT, WLDMT	4
17	3P079	SPRING BUSHING,1 X 1.25 X 0.75	12
18	5J768	PIN	5

# Spring Reel Assembly, Center - 192504

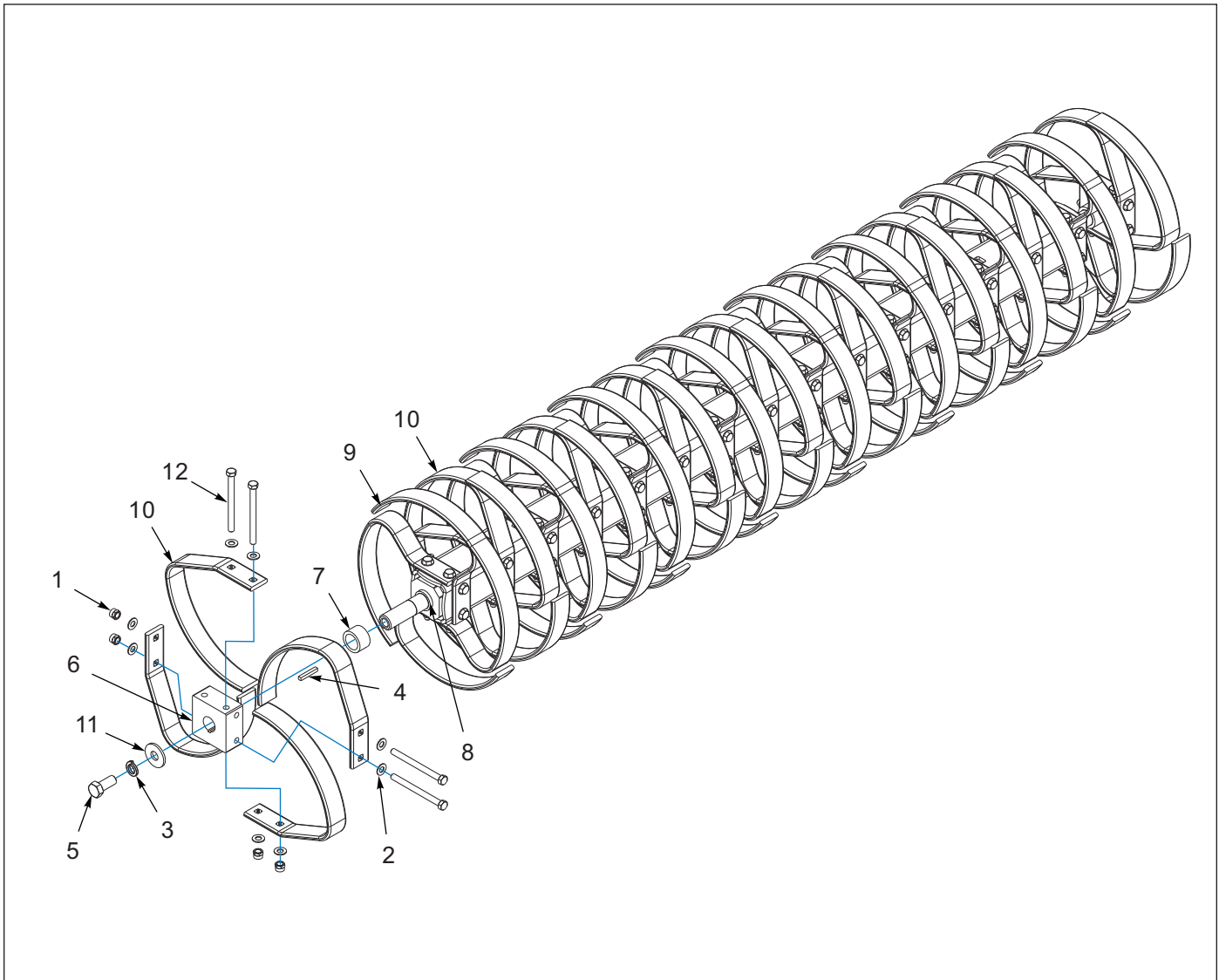


Figure 22-9: Spring Reel Assembly, Center - 192504

## Spring Reel Assembly, Center - 192504

ITEM	PART NUMBER	DESCRIPTION	QTY.
	192504	REEL-SPRING, CENTER, ASSY	--
1	1-512-010005-13	NUT,HEX SLFLKG GRB 5/8-11	68
2	1-861-010032-18	WASHER, FLAT 5/8 N ZP/CD	136
3	1-861-010034-21	WASHER, LKG HEL SPRG 1IN	2
4	110-4349	KEY SQUARE 3/8X3/8X2-1/2	2
5	137943	SCREW,HEX CAP 1-8UNCX2-1/4GR5	2
6	191740	HUB-SPRING REEL	2
7	191742	BUSHING, 2-1/2X1-13/16X1-1/2	2
8	192503	AXLE WLDMT SPRING REEL	1
9	195116	SPRING-REEL, HSL	32
10	195117	SPRING-REEL, HSL	36
11	200804	WASHER, 2-3/4 X 1-1/16 X 1/4	2
12	209331	SCREW HX CP, 5/8-11UNCX7,GR5	68

# Spring Reel Assembly, 64.75

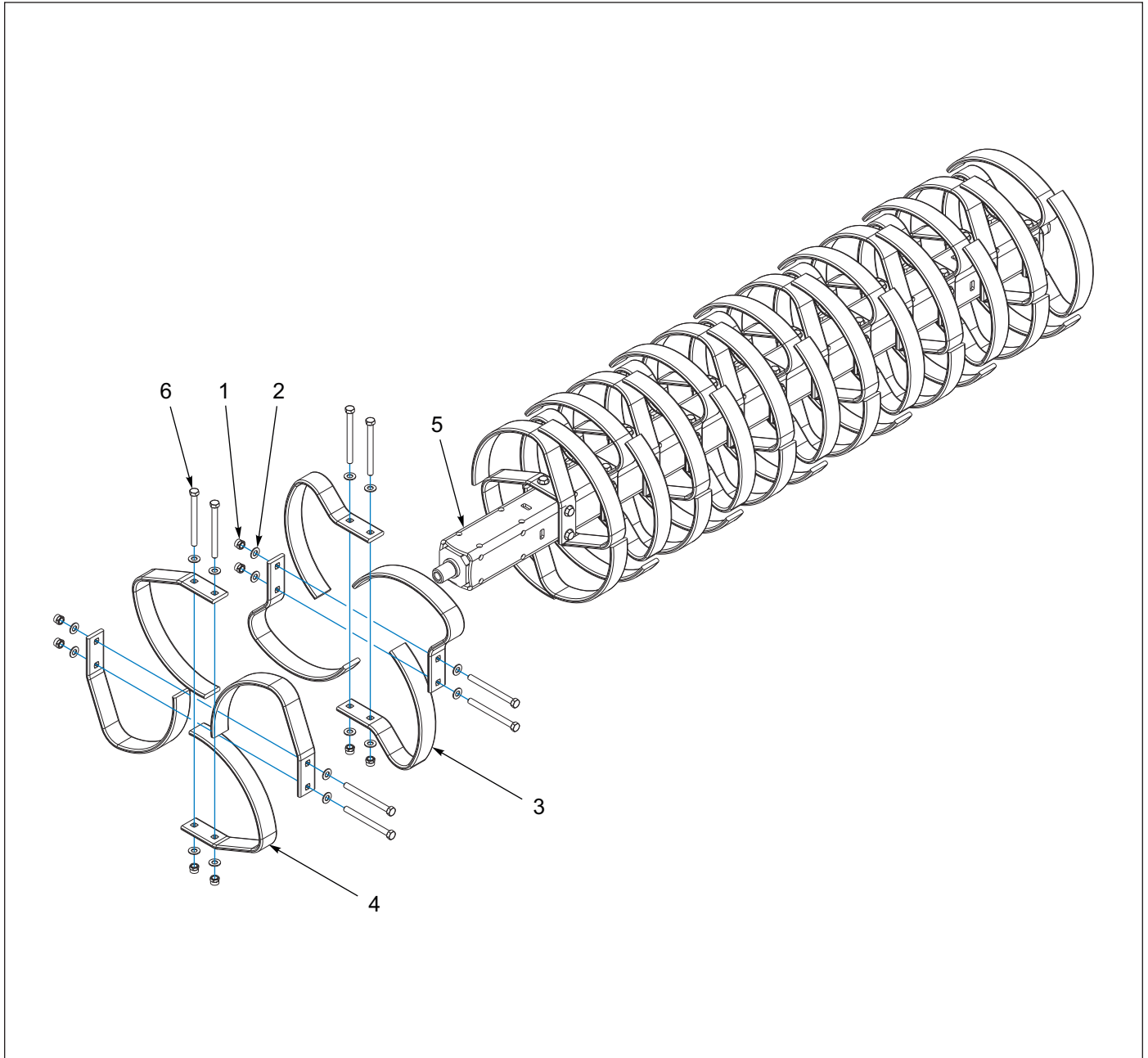


Figure 22-10: Spring Reel Assembly, 64.75

## Spring Reel Assembly, 64.75

ITEM	PART NUMBER	DESCRIPTION	QTY.
	191765	REEL SPRING ASSEMBLY, 64-3/4"	--
1	1-512-010005-13	NUT,HEX SLFLKG GRB 5/8-11	40
2	1-861-010032-18	WASHER, FLAT 5/8 N ZP/CD	80
3	195116	SPRING-REEL, HSL	20
4	195117	SPRING-REEL, HSL	20
5	191764	AXLE, SPRING REEL WELD	1
5	191761	AXLE, SPRING REEL WELD	--
6	209331	SCREW HX CP, 5/8-11UNCX7,GR5	40

# Spring Reel Assembly, 94.375

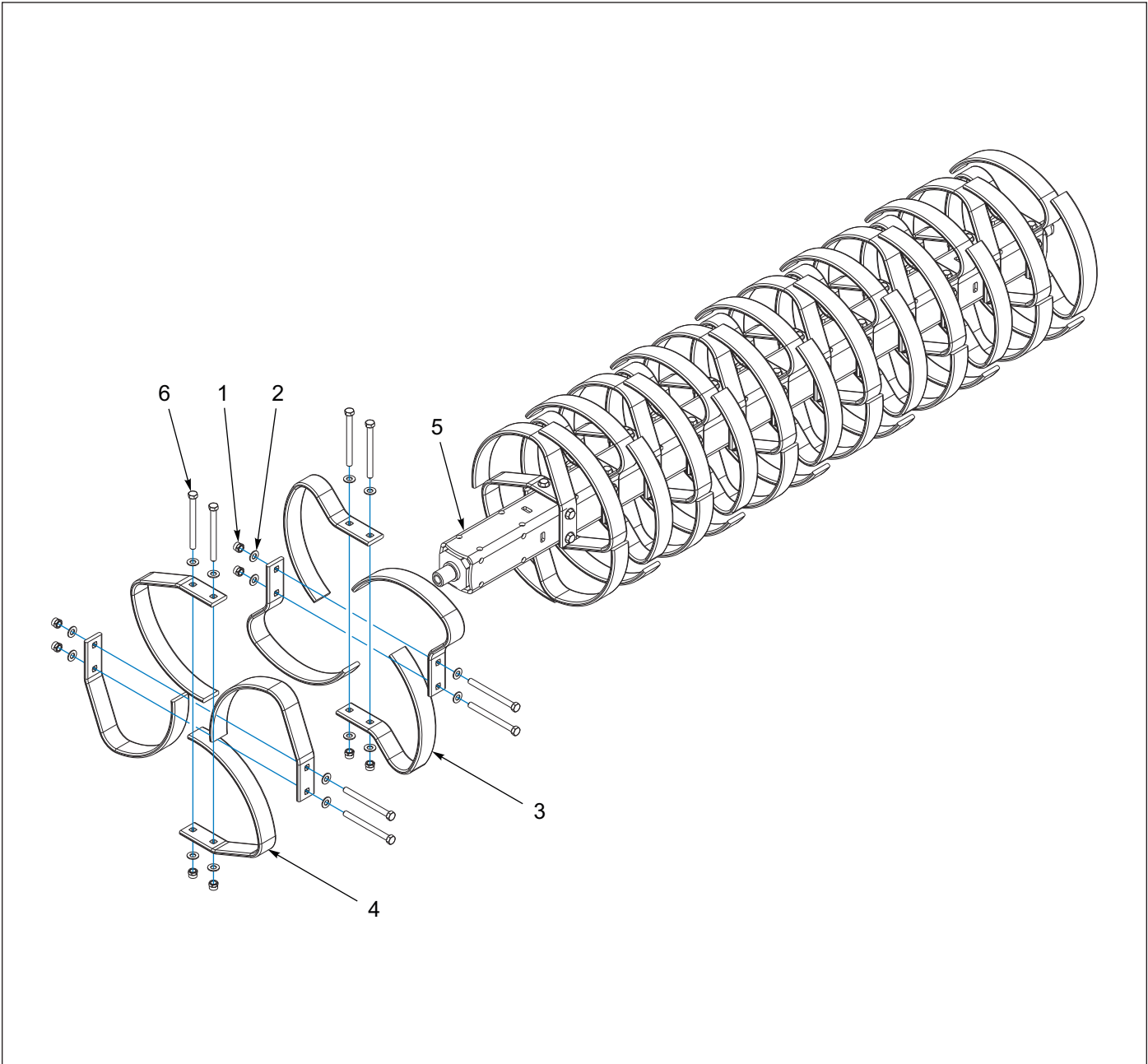
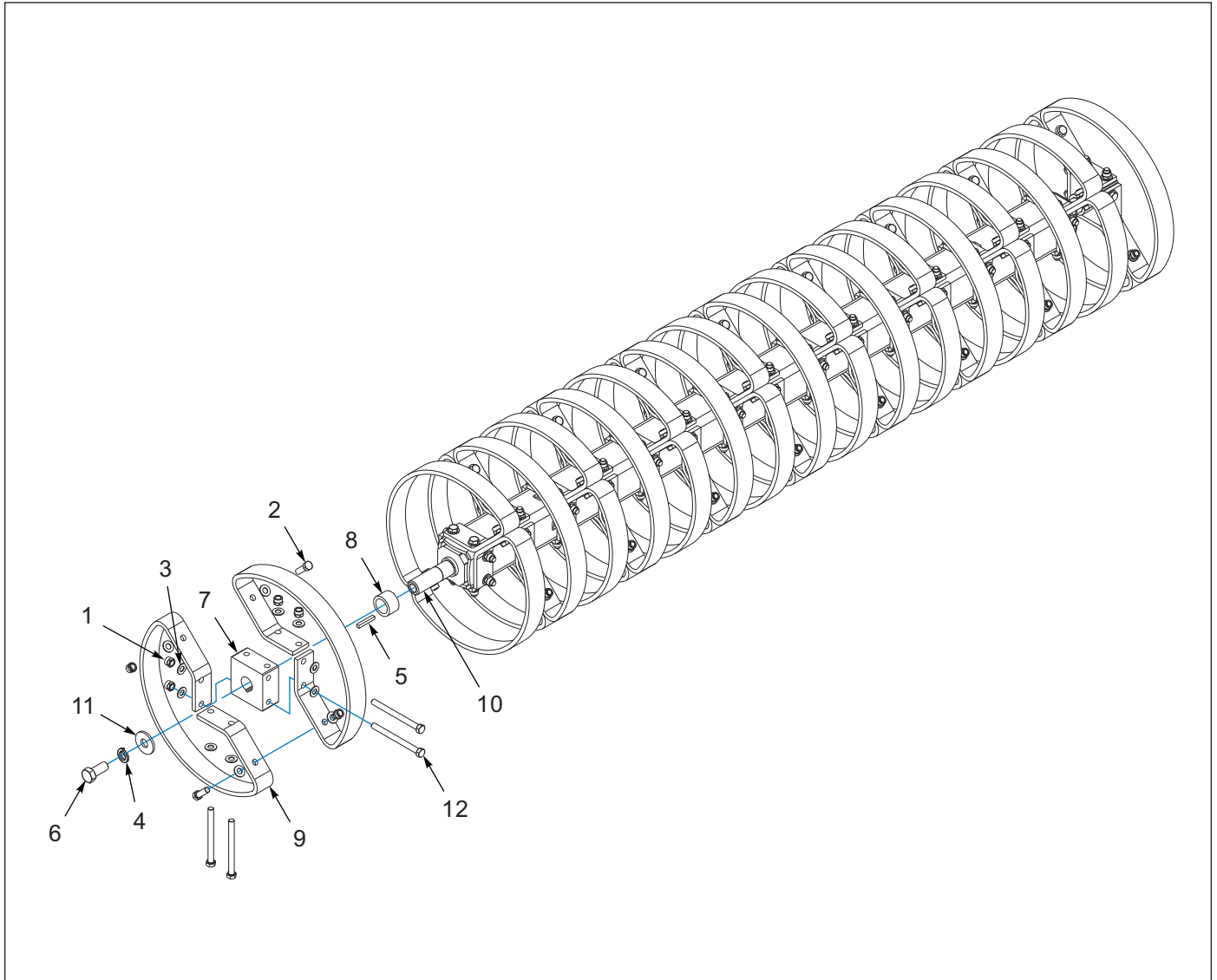


Figure 22-11: Spring Reel Assembly, 94.375

## Spring Reel Assembly, 94.375

ITEM	PART NUMBER	DESCRIPTION	QTY.
	191762	REEL SPRING ASSEMBLY, 94-3/8"	--
1	1-512-010005-13	NUT,HEX SLFLKG GRB 5/8-11	56
2	1-861-010032-18	WASHER, FLAT 5/8 N ZP/CD	112
3	195116	SPRING-REEL, HSL	28
4	195117	SPRING-REEL, HSL	28
5	191764	AXLE, SPRING REEL WELD	--
5	191761	AXLE, SPRING REEL WELD	1
6	209331	SCREW HX CP, 5/8-11UNCX7,GR5	56

## Spring Reel Assembly, Center - 197345



**Figure 22-12: Spring Reel Assembly, Center - 197345**

## Spring Reel Assembly, Center - 197345

ITEM	PART NUMBER	DESCRIPTION	QTY.
	197345	REEL-SPRING, CENTER, ASSY	--
1	1-512-010005-13	NUT,HEX SLFLKG GRB 5/8-11	102
2	1-654-010059-05	SCREW,HEX CAP,5/8-11UNCX2 GR5	34
3	1-861-010032-18	WASHER, FLAT 5/8 N ZP/CD	204
4	1-861-010034-21	WASHER, LKG HEL SPRG 1IN	2
5	110-4349	KEY SQUARE 3/8X3/8X2-1/2	2
6	137943	SCREW,HEX CAP 1-8UNCX2-1/4GR5	2
7	191740	HUB-SPRING REEL	2
8	191742	BUSHING, 2-1/2X1-13/16X1-1/2	2
9	195079	SPRING-REEL, HSL	34
10	197346	AXLE-SPRING REEL, WLDMT	1
11	200804	WASHER, 2-3/4 X 1-1/16 X 1/4	2
12	209331	SCREW, HEX 5/8-11 UNC,GR5	68

# Spring Reel Assembly, Intermed

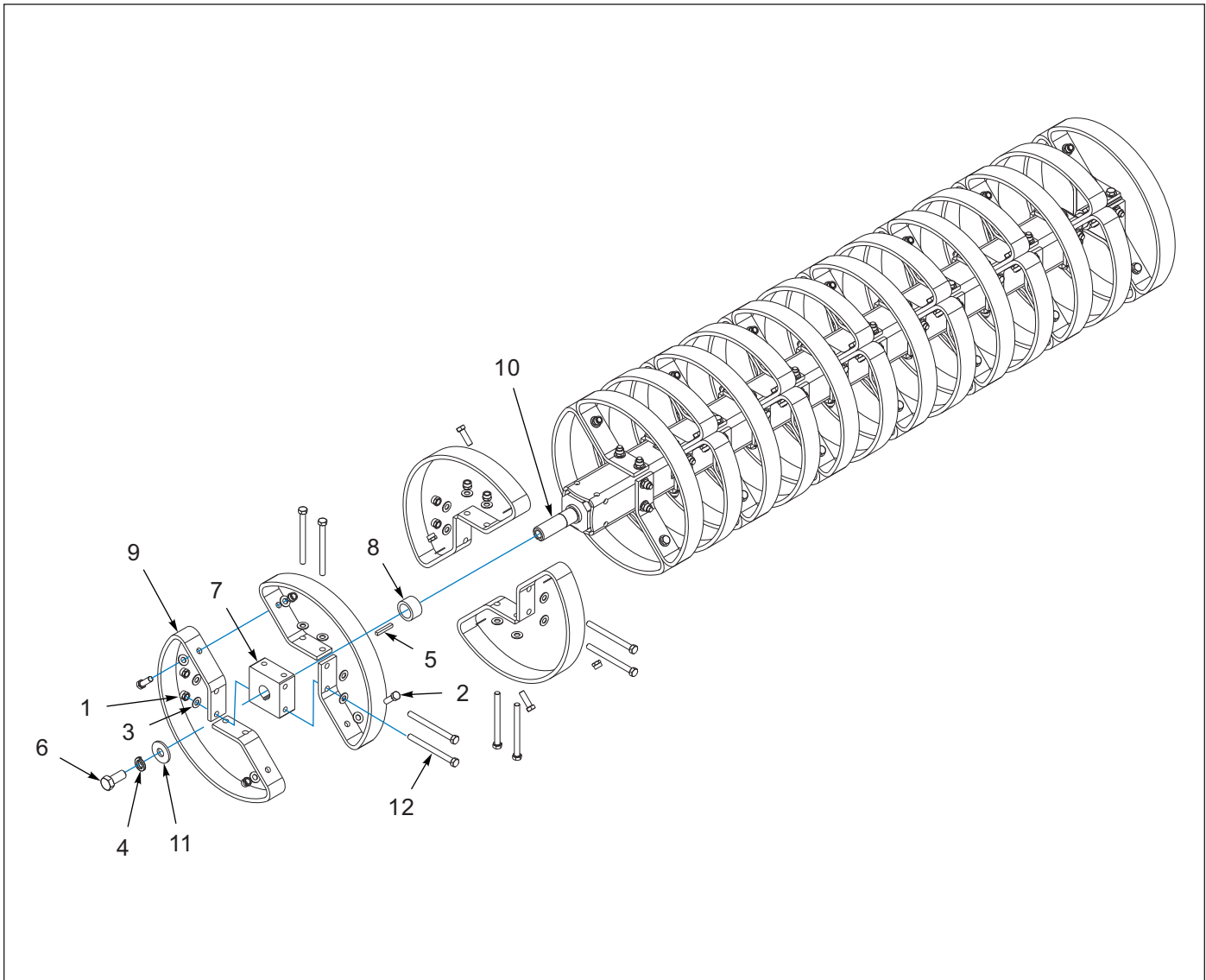


Figure 22-13: Spring Reel Assembly, Intermed

## Spring Reel Assembly, Intermed

ITEM	PART NUMBER	DESCRIPTION	QTY.
	197354	REEL ASSY SPRING INTERMED	--
1	1-512-010005-13	NUT,HEX SLFLKG GRB 5/8-11	90
2	1-654-010059-05	SCREW,HEX CAP,5/8-11UNCX2 GR5	30
3	1-861-010032-18	WASHER, FLAT 5/8 N ZP/CD	180
4	1-861-010034-21	WASHER, LKG HEL SPRG 1IN	2
5	110-4349	KEY SQUARE 3/8X3/8X2-1/2	2
6	137943	SCREW,HEX CAP 1-8UNCX2-1/4GR5	2
7	191740	HUB-SPRING REEL	2
8	191742	BUSHING, 2-1/2X1-13/16X1-1/2	2
9	195079	SPRING-REEL, HSL	30
10	197355	AXLE-SPRING REEL, WELDMENT	1
11	200804	WASHER, 2-3/4 X 1-1/16 X 1/4	2
12	209331	SCREW, HEX 5/8-11 UNC,GR5	60



# Spring Reel Assembly, 135

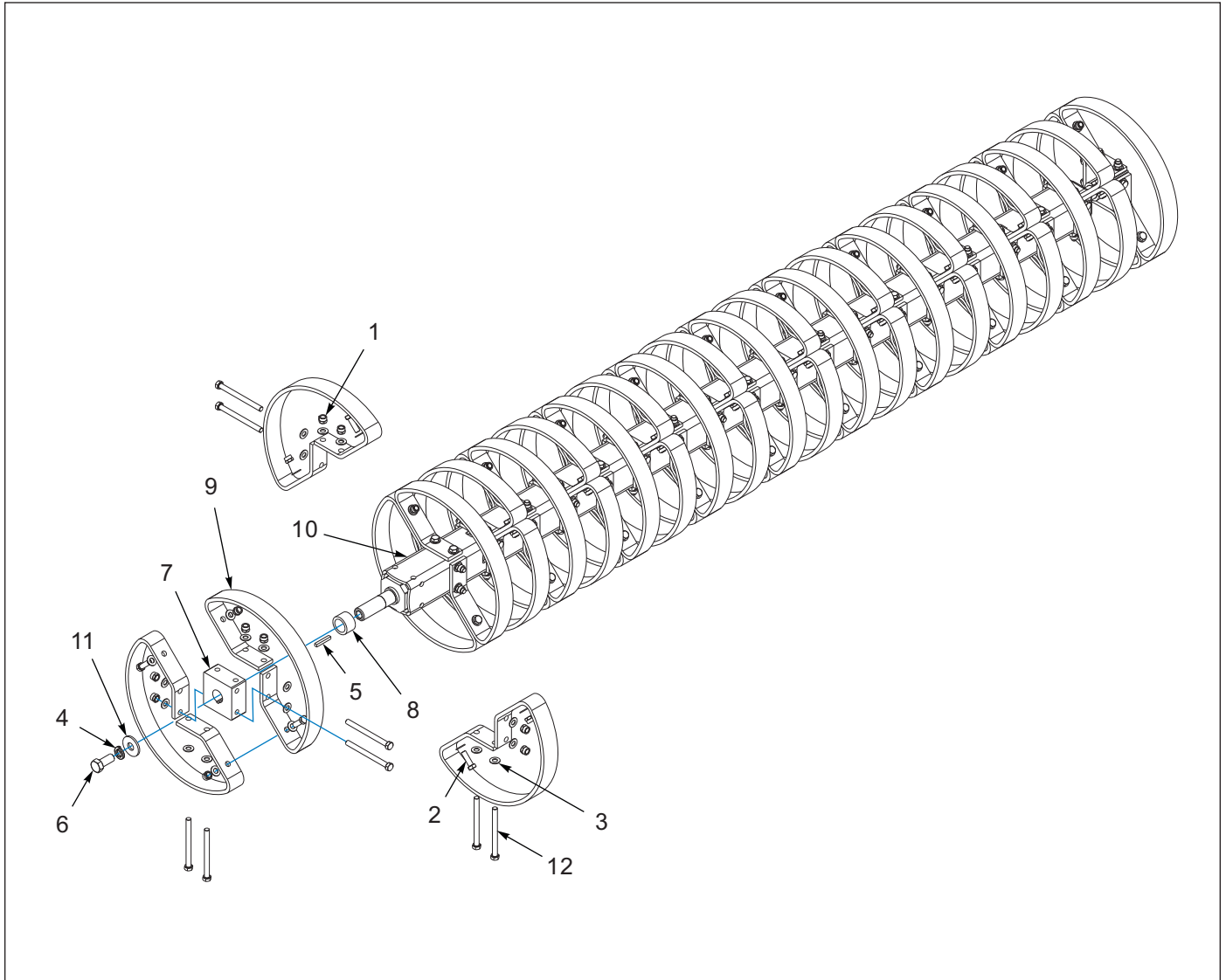


Figure 22-14: Spring Reel Assembly, 135

## Spring Reel Assembly, 135

ITEM	PART NUMBER	DESCRIPTION	QTY.
	197348	REEL-SPRING, 135 INCH,ASM	--
1	1-512-010005-13	NUT,HEX SLFLKG GRB 5/8-11	126
2	1-654-010059-05	SCREW,HEX CAP,5/8-11UNCX2 GR5	42
3	1-861-010032-18	WASHER, FLAT 5/8 N ZP/CD	252
4	1-861-010034-21	WASHER, LKG HEL SPRG 1IN	2
5	110-4349	KEY SQUARE 3/8X3/8X2-1/2	2
6	137943	SCREW,HEX CAP 1-8UNCX2-1/4GR5	2
7	191740	HUB-SPRING REEL	2
8	191742	BUSHING, 2-1/2X1-13/16X1-1/2	2
9	195079	SPRING-REEL, HSL	42
10	197349	AXLE-SPRING REEL, WELDMENT	1
11	200804	WASHER, 2-3/4 X 1-1/16 X 1/4	2
12	209331	SCREW, HEX 5/8-11 UNC,GR5	60

## Spring Reel Mount Assemblies (BEFORE 03/01/2018)

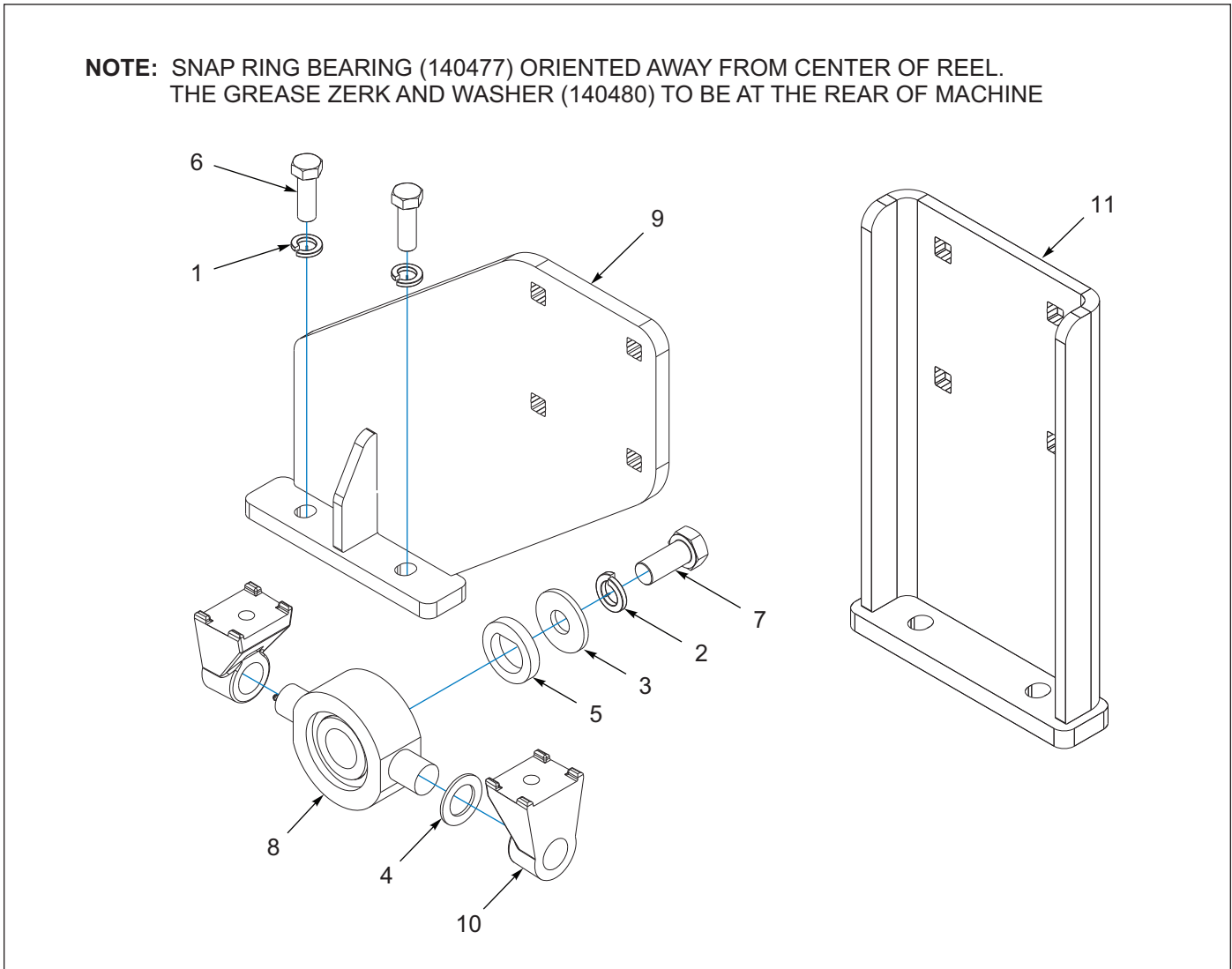


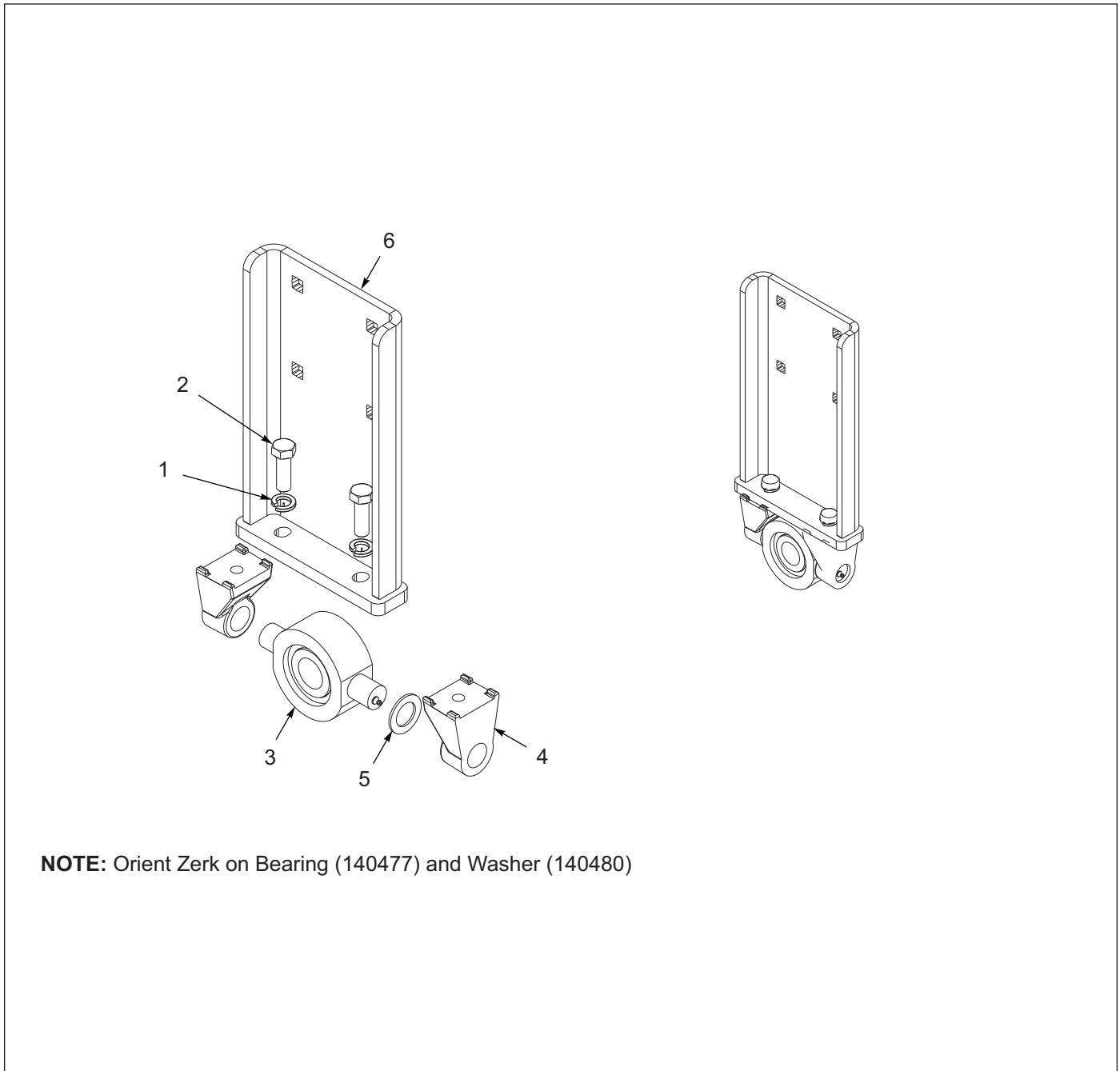
Figure 22-15: Spring Reel Mount Assemblies (BEFORE 03/01/2018)

## Spring Reel Mount Assemblies (BEFORE 03/01/2018)

ITEM	PART NUMBER	DESCRIPTION	QTY.
	199901	MOUNT, SPRING REEL ASSEMBLY LH	--
	199902	MOUNT, SPRING REEL ASSEMBLY RH (NOT SHOWN)	--
1	1-861-010034-17	WASHER,LKG,HLCL SPR,3/4	2
2	1-861-010034-21	WASHER, LKG HEL SPRG 1IN	1
3	200804	WASHER, 2-3/4 X 1-1/16 X 1/4	1
4	140480	WASHER, TRUNNION	1
5	154186	WASHER FLAT -P	1
6	100941	SCREW,HEXCAP,3/4-10X2-1/4G8ZP	2
7	137943	SCREW,HEX CAP 1-8UNCX2-1/4GR5	1
8	140477	BEARING, DISC 1.775 ID ASSY	1
9	199899	MOUNT WLDMT SPRING REEL LH (USED W/ 199901)	1
9	199900	MOUNT WLDMT SPRING REEL RH (USED W/ 199902) (NOT SHOWN)	1
10	140479	MOUNT, TRUNNION BEARING	2
11	188825	BRACKET-REEL MOUNT, WLDMT	1



### Spring Reel Mount Assembly (AFTER 03/01/2018)



**NOTE:** Orient Zerk on Bearing (140477) and Washer (140480)

Figure 22-16: Spring Reel Mount Assembly (AFTER 03/01/2018)

### Spring Reel Mount Assembly (AFTER 03/01/2018)

ITEM	PART NUMBER	DESCRIPTION	QTY.
	191759	MOUNT, SPRING-REEL, ASSY	--
1	1-861-010034-17	WASHER,LKG,HLCL SPR,3/4	2
2	100941	SCREW,HEXCAP,3/4-10X2-1/4G8ZP	2
3	140477	BEARING, DISC 1.775 ID ASSY	1
4	140479	MOUNT, TRUNNION	2
5	140480	WASHER, TRUNNION	1
6	188825	BRACKET-REEL MOUNT, WLDMT	1

Spring Reel Mount Extension Assemblies (BEFORE 03/01/2018)

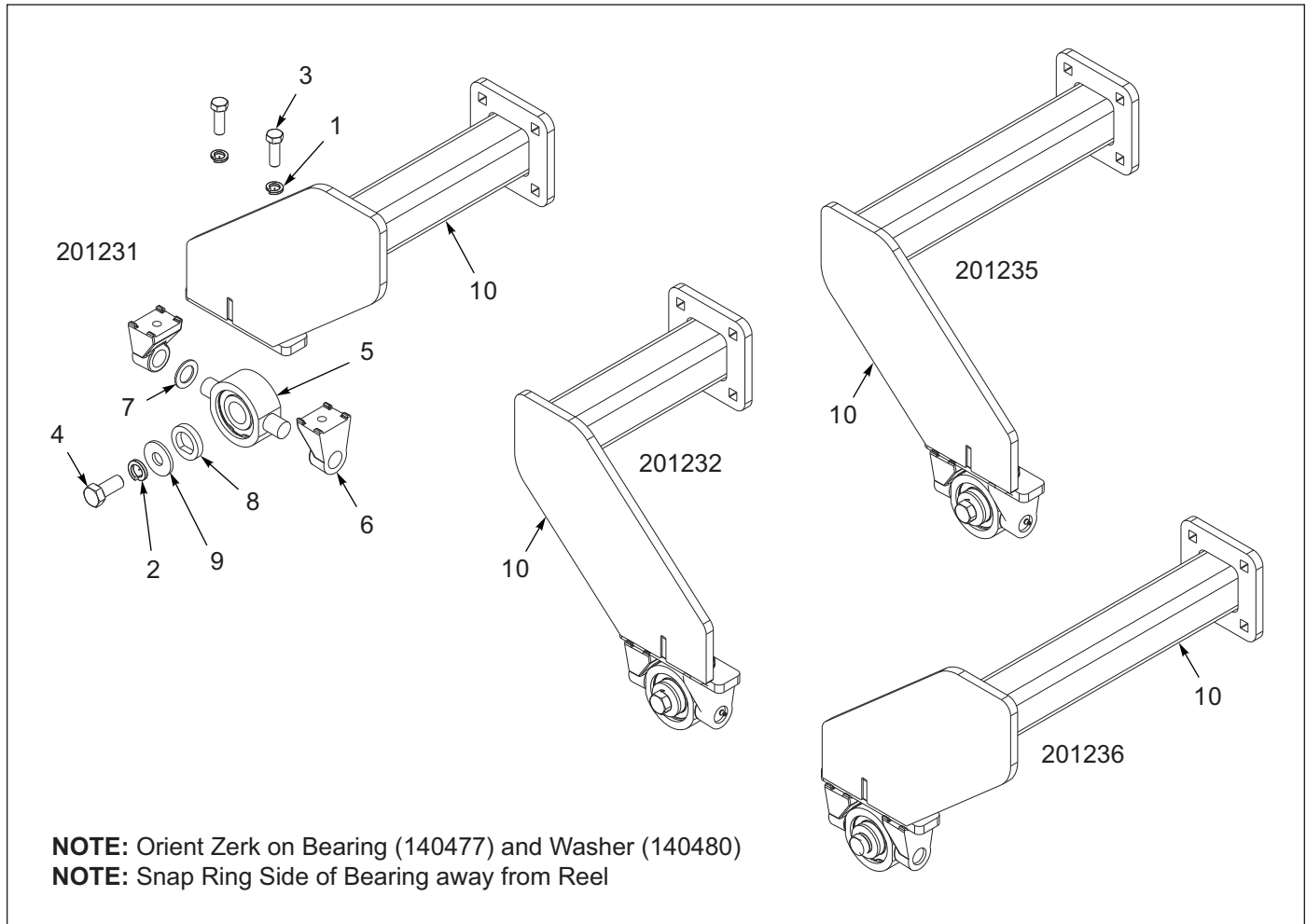
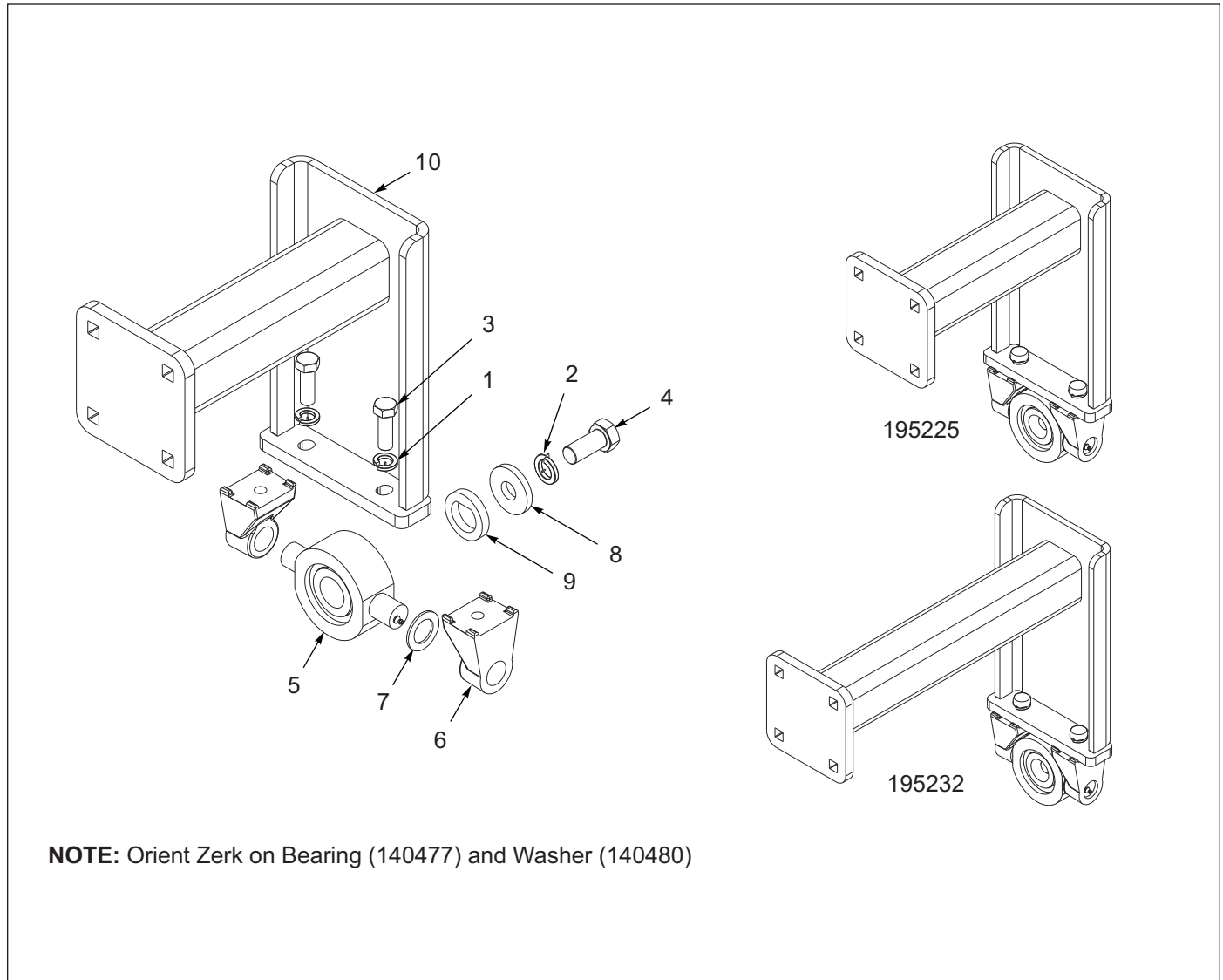


Figure 22-17: Spring Reel Mount Extension Assemblies (BEFORE 03/01/2018)

Spring Reel Mount Extension Assemblies (BEFORE 03/01/2018)

ITEM	PART NUMBER	DESCRIPTION	QTY.
	201231	EXTENSION ASSY SPRING REEL	--
	201232	EXTENSION ASSY SPRING REEL	--
	201235	EXTENSION ASSY SPRING REEL	--
	201236	EXTENSION ASSY SPRING REEL	--
1	1-861-010034-17	WASHER,LKG,HLCL SPR,3/4	2
2	1-861-010034-21	WASHER, LKG HEL SPRG 1IN	1
3	100941	SCREW,HEXCAP,3/4-10X2-1/4G8ZP	2
4	137943	SCREW,HEX CAP 1-8UNCX2-1/4GR5	1
5	140477	BEARING, DISC 1.775 ID ASSY	1
6	140479	MOUNT, TRUNNION	2
7	140480	WASHER, TRUNNION	1
8	154186	WASHER FLAT TOP	1
9	200804	WASHER, 2-3/4 X 1-1/16 X 1/4	1
10	201229	EXTENSION WLDMT SPRING REEL (USED W/ 201231)	1
11	201230	EXTENSION WLDMT SPRING REEL (USED W/ 201232)	1
12	201233	EXTENSION WLDMT SPRING REEL (USED W/ 201235)	1
13	201234	EXTENSION WLDMT SPRING REEL (USED W/ 201236)	1

### Spring Reel Mount Extension Assemblies (AFTER 03/01/2018)



**NOTE:** Orient Zerk on Bearing (140477) and Washer (140480)

Figure 22-18: Spring Reel Mount Extension Assemblies (AFTER 03/01/2018)

### Spring Reel Mount Extension Assemblies (AFTER 03/01/2018)

ITEM	PART NUMBER	DESCRIPTION	QTY.
	195225	EXTENSION, SPRING REEL, ASSY	--
	195232	EXTENSION, SPRING REEL, ASSY	--
1	1-861-010034-17	WASHER,LKG,HLCL SPR,3/4	2
2	1-861-010034-21	WASHER, LKG HEL SPRG 1IN	1
3	100941	SCREW,HEXCAP,3/4-10X2-1/4G8ZP	2
4	137943	SCREW,HEX CAP 1-8UNCX2-1/4GR5	1
5	140477	BEARING, DISC 1.775 ID ASSY	1
6	140479	MOUNT, TRUNNION	2
7	140480	WASHER, TRUNNION	1
8	154185	WASHER 3/8 THICK 1" ID	1
9	154186	WASHER FLAT TOP	1
10	195226	EXTENSION-SPRING REEL, WLDMT (USED W/ 195225)	1
10	195233	EXTENSION WLDMT SPRING REEL (USED W/ 195232)	1

# Glossary

For clarity this glossary of industry standard abbreviations and their definitions are provided. For additional information, see instruction on the inside front cover or the last page of this manual.

## A

**ASM** ..... Assembly

## B

**BATT** ..... Battery  
**BHSC** ..... Button Head Socket Cap  
**BLK** ..... Black

## C

**CB** ..... Carriage Bolt  
**CONN** ..... Connector  
**CRG** ..... Carriage  
**CTSK** ..... Countersunk  
**CTWT** ..... Counterweight  
**CVR** ..... Cover  
**CYD** ..... Cylinder

## D

**DBL** ..... Double  
**DIA** ..... Diameter

## E

**ENCLSD** ..... Enclosed

## F

**FHCS** ..... Flanged Head Cap Screw  
**FHHCS** ..... Flanged Hex Head Cap Screw  
**FL OR FLG** ..... Flange  
**FLT** ..... Flat

## G

**GA** ..... Gauge

## H

**HHCS** ..... Hex Head Cap Screw  
**HCS** ..... High Carbon Steel  
**HD** ..... Head  
**HLCL** ..... Helical  
**HCSKT** ..... Hex Socket  
**HSFC** ..... Hex Socket Flat Countersunk  
**HYD** ..... Hydraulic

## I

**ID** ..... Inside Diameter

## L

**LH** ..... Lefthand  
**LKG OR LOCK** ..... Locking  
**LWR** ..... Lower

## M

**MANF** ..... Manifold  
**MNT** ..... Mount

## N

**NRW** ..... Narrow  
 ----- Not Serviced Separately

## O

**OD** ..... Outside Diameter  
**OHG** ..... Overhead Guard  
**ORFS OR ORS** ..... O-Ring Seal  
**ORP OR ORB** ..... O-Ring Boss

## P

**P-STEER** ..... Power Steering  
**PTFE** ..... Polytetrafluoroethylene (Teflon)

**R**

---

**RH** ..... Righthand  
**RND** ..... Round

**S**

---

**SER** ..... Series  
**SHCS** ..... Socket Head Cap Screw  
**SHLD** ..... Shield  
**SKT** ..... Socket  
**SLFLKG** ..... Selflocking  
**SOC** ..... Socket  
**SPDT** ..... Single Pole Double Throw  
**SPR** ..... Spring

**SQ** ..... Square  
**SRTD** ..... Serrated  
**SSCR** ..... Setscrew  
**SST** ..... Stainless Steel  
**STD** ..... Standard

**U**

---

**UPR** ..... Upper

**W**

---

**WHL** ..... Wheel  
**WLD OR WLDMT** ..... Weldment



**Numerics**

006-115-00 .....	4-3, 4-4	116491 ..	17-11, 17-16, 17-23, 17-28, 17-35, 17-41, 17-47, 17-53
1-007-010025	17-2, 17-4, 17-6, 17-11, 17-16, 17-23, 17-28, 17-35, 17-41, 17-47, 17-53	116606 .....	17-64, 17-65
100809 .....	7-10	117260 ..	17-11, 17-16, 17-23, 17-28, 17-35, 17-41, 17-47, 17-53
100825 .....	3-2, 3-6, 3-10, 3-14	119118 .....	6-2
100941 .....	22-15	121002 .....	17-11, 17-23, 17-47
101162 .....	4-3, 4-4	122909 .....	17-11, 17-23, 17-47
101385 .....	3-2, 3-6, 3-10, 3-14	122917 .....	2-14, 6-3, 7-11, 7-12
101864	20-2, 20-4, 20-6, 20-8, 20-10, 20-12, 20-14, 20-16	123066 ..	17-11, 17-16, 17-23, 17-28, 17-35, 17-41, 17-47, 17-53
102-0322 ..	17-2, 17-4, 17-11, 17-16, 17-23, 17-28, 17-35, 17-41, 17-47, 17-53	125566 .....	17-59
102498 .....	4-1	127712 .....	2-2, 6-2
102600 .....	4-1	1-298-010001-1 .....	3-2, 3-6, 3-10, 3-14, 7-10
102601 .....	4-1	135911 .....	17-57
102604 .....	4-1	135912 .....	17-56
103103-002 .....	4-3, 4-4	137304 .....	17-56
103153 .....	17-56	137598 .....	17-35, 17-41
103841 .....	2-2, 2-9, 2-12, 3-2, 3-6, 3-10, 3-14, 7-10	137599 ..	17-11, 17-16, 17-23, 17-28, 17-35, 17-41, 17-47, 17-53
104369 .....	17-11, 17-23, 17-47	137694 .....	17-56
105106 .....	4-3, 4-4	137702 .....	17-56
105107 .....	4-3, 4-4	137943 .....	19-1, 19-2, 19-3, 19-4, 19-5, 19-6, 22-15
108628 .....	6-3, 7-11, 7-12	1-397-010301084	17-16, 17-28, 17-35, 17-41, 17-53
111786 .....	17-63	1-397-010302042	17-11, 17-16, 17-23, 17-28, 17-35, 17-47, 17-53
111789 .....	17-56, 17-57, 17-58, 17-59, 17-61, 17-63	1-397-010369324	17-28, 17-36, 17-42, 17-47, 17-53
111790 .....	17-57, 17-58	140191 .....	3-2, 3-6, 3-10, 3-14
111795 .....	17-60	140306 .....	17-59
111871 .....	17-58, 17-59	1404013 .....	4-4
111876 .....	17-58, 17-59	140477 .....	19-1, 19-2, 19-3, 19-4, 19-5, 19-6, 22-15
111962 .....	4-1	140479 .....	22-15
113805 .....	17-63	140480 .....	19-1, 19-2, 19-3, 19-4, 19-5, 19-6, 22-15
116100 .....	2-2, 2-9, 3-2, 3-6, 3-10, 3-14, 3-16	140693	17-2, 17-4, 17-11, 17-23, 17-42, 17-47, 17-53
116432 ..	17-11, 17-16, 17-23, 17-28, 17-35, 17-41, 17-47, 17-53	141249 .....	7-10
116434 .....	17-11, 17-23, 17-28, 17-47	141251 .....	3-2, 3-6, 3-10, 3-14, 3-16
116436 .....	17-11, 17-16, 17-23	141259 .....	1-3
116437 .....	17-16, 17-28, 17-35, 17-41	141260 .....	1-3

141301 .....	17-57, 17-58, 17-59	147745 .....	17-57
1413183 .	17-11, 17-16, 17-23, 17-28, 17-35, 17-47, 17-53	147746 .....	17-58
1413184 .	17-11, 17-16, 17-23, 17-28, 17-35, 17-41, 17-47, 17-53	147747 .....	17-58
141594 ....	17-5, 17-6, 17-11, 17-16, 17-23, 17-28, 17-35, 17-41, 17-47, 17-53	147748 .....	17-58
141597 .....	1-3	148084 .....	17-59, 17-61
141826 .	3-2, 3-6, 17-5, 17-11, 17-16, 17-23, 17-28, 17-35, 17-41, 17-47	148085 .....	17-59
141828 ..	17-11, 17-16, 17-23, 17-28, 17-35, 17-41, 17-47, 17-53	148086 .....	17-59
141883 .....	17-11, 17-23, 17-47	148142 .....	17-64
141888 .....	17-11, 17-16, 17-23, 17-35, 17-41	149860 .....	17-59
142109 .....	17-57, 17-59	149861 .....	17-59
142110 .....	17-57, 17-58	149862 .....	17-59, 17-61
142112 .....	17-57, 17-58	150272 .....	17-47, 17-53
142114 .....	17-57	1-512-010005-01 .....	3-2, 3-6, 3-10, 3-14, 18-3
142115 .....	17-56, 17-57, 17-58	1-512-010005-03	3-2, 3-6, 3-10, 3-14, 6-3, 7-11, 7-12
142116 .....	17-58	1-512-010005-05	2-2, 2-9, 2-12, 3-2, 3-6, 3-10, 3-14, 14-1, 14-3, 14-5, 15-1, 15-4, 15-7, 16-1, 18-3, 20-2, 20-4, 20-6, 20-8, 20-10, 20-12, 20-14, 20-16
142753 .....	3-2, 3-6, 3-10, 3-14	1-512-010005-09	2-2, 2-9, 2-12, 3-2, 3-6, 3-10, 3-14, 3-16, 6-2
143852 .....	17-2, 17-4, 17-16, 17-28, 17-35, 17-41	1-512-010005-13 ...	3-2, 3-6, 3-10, 3-14, 3-16, 20-2, 20-4, 20-6, 20-8, 20-10, 20-12, 20-14, 20-16, 22-9, 22-10, 22-11
143853	17-2, 17-4, 17-16, 17-28, 17-35, 17-41, 17-53	1-512-010005-15	2-2, 2-9, 2-12, 3-2, 3-6, 3-10, 3-14, 3-16, 7-10, 20-2, 20-4, 20-6, 20-8, 20-10, 20-12, 20-14, 20-16, 21-1, 21-2, 21-3, 21-4, 21-5, 21-6, 21-7, 21-8, 22-1, 22-2, 22-3, 22-4, 22-5, 22-6, 22-7, 22-8
143994 .....	17-57, 17-58, 17-59, 17-61	1-512-010005-19 ...	3-2, 3-6, 3-10, 3-14, 3-16, 7-10
144048 .....	6-3, 7-11, 7-12	1-512-010007-07 .....	7-10
144193 .....	1-3	1-512-010007-16 .	2-2, 2-9, 2-12, 3-2, 3-6, 3-10, 3-14
144351 .....	1-3	1-516-010001-20 .....	4-1
145200 ..	17-11, 17-16, 17-23, 17-28, 17-35, 17-41, 17-47, 17-53, 17-56	1-516-010001-27 .....	2-2, 2-9, 2-12
145201 .	2-2, 3-14, 6-2, 17-11, 17-16, 17-23, 17-28, 17-35, 17-41, 17-47, 17-53, 17-57	153620 .....	17-35, 17-41, 17-47, 17-53
145202 .....	3-15, 17-58	153621 .....	17-11, 17-16, 17-23
145714 .....	17-59	153622 .....	17-47, 17-53
147072 ..	3-2, 3-6, 3-10, 3-14, 20-10, 20-12, 20-14, 20-16, 21-5, 21-6, 21-7, 21-8, 22-5, 22-6, 22-7, 22-8	153696 .....	7-10
147375 .....	17-63	154102 .....	17-63
147376 .....	17-63	154185 .....	19-1, 19-2, 19-3, 19-4, 19-5, 19-6
147585 .....	17-28	154186 ....	19-1, 19-2, 19-3, 19-4, 19-5, 19-6, 22-15
147741 .....	17-57, 17-58	155528 ...	17-11, 17-16, 17-23, 17-28, 17-35, 17-41, 17-47, 17-53
147742 .....	17-57, 17-58	155529 ...	17-11, 17-16, 17-23, 17-28, 17-35, 17-41, 17-47, 17-53
147743 .....	17-56		
147744 .....	17-57, 17-59		



---

155530 . . . 17-11, 17-16, 17-23, 17-28, 17-35, 17-41, 17-47, 17-53	1-654-010049-03 . . . . . 4-3, 4-4
1-557-010362-51 . . . . . 4-1	1-654-010051-08 . . . . . 2-2, 2-9, 18-3
156950 . . . . . 7-10	1-654-010051-09 . 2-2, 2-9, 2-12, 3-2, 3-6, 3-10, 3-14
156972 . . . . . 4-1, 6-2	1-654-010051-13 . . . . . 2-2, 2-9, 2-12
156973 . . . . . 4-1	1-654-010055-04 . . . . . 2-2, 2-9, 2-12
156974 . . . . . 4-1	1-654-010055-10 . . . . . 3-2, 3-6, 3-10, 3-14
156979 . . . . . 4-1	1-654-010055-11 . . . . . 2-2, 2-9
156991 . . . . . 6-2	1-654-010055-14 . . . . . 3-2, 3-6, 3-10, 3-14
156992 . . . . . 6-2	1-654-010055-15 . . . . . 6-2
157000 . . . . . 5-2	1-654-010059-02 . 14-1, 14-3, 14-5, 15-1, 15-4, 15-7, 15-9
157001 . . . . . 5-2	1-654-010059-06 . . . . . 2-2, 2-9, 2-12
157002 . . . . . 5-2	1-654-010059-08 . . . . . 3-2, 3-6, 3-10, 3-14
1-573-010006 . . . . . 1-3	1-654-010061-05 . 19-1, 19-2, 19-3, 19-4, 19-5, 19-6
159954 . . . . . 3-2, 3-6, 3-10, 3-14	1-654-010070-05 . . . . . 3-16
159955 . . . . . 3-2, 3-6, 3-10, 3-14	1-654-010077-2 . . . . . 2-2, 2-9
159970 . . . . . 4-1	1-654-010125-22 . . . . . 7-10
161515 . . . . . 1-3	1-654-010126-05 . . . . . 15-9
162671 3-2, 3-6, 3-10, 3-14, 17-2, 17-4, 17-11, 17-16, 17-23, 17-28, 17-35, 17-41, 17-47, 17-53	166717 . . . . . 6-3, 7-11
1-630-010021-03 . . . . . 2-14, 6-3, 7-11, 7-12	166978 . . . . . 17-53
164307 . . . . . 17-29	168456 . . . . . 4-3
164308 . . . . . 17-28, 17-47, 17-53	171556 . . . . . 3-2, 3-6, 3-10, 3-14
164309 . . . 17-11, 17-16, 17-23, 17-35, 17-36, 17-41	171760 . . . . . 17-11, 17-23, 17-47
164471 . . . . . 3-2, 3-6, 3-10, 3-14	171892 . . . . . 3-16
164563 . . . . . 6-2	172481 . . . . . 17-11, 17-16, 17-23
164600 . . . . . 17-16	172509 . . . . . 15-1
1-647-010004221 . . . . . 17-56, 17-57, 17-58	172802 . . . . . 3-2, 3-6, 3-10, 3-14
1-647-010004236 . . . . . 2-2, 2-9, 2-12	172823 . . . . . 3-2, 3-6, 3-10, 3-14
1-647-010004257 . . . . . 2-9, 2-12	172891 . . . . . 2-2, 2-9, 2-13, 3-2, 3-6, 3-10, 3-14
1-647-010004259 2-2, 2-9, 2-12, 3-2, 3-6, 3-10, 3-14	172892 . . . . . 2-2, 2-9, 2-13
165254 . . . . . 4-3	172919 . . . . . 2-2, 2-9, 2-13, 3-2, 3-6, 3-10, 3-14
165257 . . . . . 3-2, 3-6, 3-10, 3-14, 17-2, 17-4	172973 . . 17-11, 17-16, 17-23, 17-28, 17-35, 17-41, 17-47, 17-53
165259 . . . . . 6-3, 7-11, 7-12	174435 . . . . . 18-3
165260 . . . . . 6-3, 7-11, 7-12	174436 . . . . . 18-3
165265 . . . . . 3-2, 3-6, 3-10, 3-14	174437 . . . . . 18-3
165335 . . . . . 17-11, 17-16, 17-23, 17-28	174438 . . . . . 18-3
1-654-010047-05 . . . . . 18-3	174523 . . . . . 14-7
1-654-010047-06 . . . . . 3-2, 3-6, 3-10, 3-14, 18-3	174526 . . . . . 14-7
1-654-010047-07 . . . . . 18-3	174532 . . . . . 14-7
1-654-010047-08 . . . . . 18-3	174708 . . . . . 6-3, 7-11

---

174732	14-1, 14-3, 14-5, 14-7, 15-1, 15-4, 15-7, 15-9	1-861-010032-20	20-2, 20-4, 20-6, 20-8, 20-10, 20-12, 20-14, 20-16, 21-1, 21-2, 21-3, 21-4, 21-5, 21-6, 21-7, 21-8, 22-1, 22-2, 22-3, 22-4, 22-5, 22-6, 22-7, 22-8
175283	14-1, 14-3, 14-5, 15-7	1-861-010032-21	2-2, 2-9, 2-12, 3-2, 3-6, 3-10, 3-14, 3-16, 7-10
175284	15-1, 15-4	1-861-010032-24	2-2, 2-9, 2-12, 3-2, 3-6, 3-10, 3-14, 7-10, 20-10, 20-12, 20-14, 20-16, 21-5, 21-6, 21-7, 21-8, 22-5, 22-6, 22-7, 22-8
175329	14-1, 14-3, 14-5, 15-1, 15-4, 15-7	1-861-010034-10	4-3, 4-4
177000	17-11, 17-16, 17-23	1-861-010034-13	2-2, 2-9, 2-12
177030	7-10	1-861-010034-15	2-2, 2-9, 2-12, 14-1, 14-3, 14-5, 15-1, 15-4, 15-7, 15-9
177032	7-10	1-861-010034-17	19-1, 19-2, 19-3, 19-4, 19-5, 19-6, 22-15
177389	7-10, 17-62	1-861-010034-21	19-1, 19-2, 19-3, 19-4, 19-5, 19-6, 22-15
177398	7-10	186592	2-2, 2-9, 2-13, 3-2, 3-6, 3-10, 3-14
179933	4-3, 4-4	186732	9-2
180117	17-11, 17-16, 17-23, 17-28, 17-35, 17-41	186799	3-2, 3-6, 3-10, 3-14
181785	4-3, 4-4	186979	14-3, 14-5, 15-1, 15-4, 15-7
181789	4-3, 4-4	187014	9-2
181801	17-11, 17-16, 17-23, 17-28, 17-35, 17-41, 17-47, 17-53	187227	2-2, 2-9, 2-13, 3-2, 3-6, 3-10, 3-14
1-822-010001	3-3, 3-7, 3-11, 3-15	187316	2-2, 2-9, 2-13
182288	7-11, 7-12	187317	2-2, 2-9, 2-13
182289	6-3, 7-11	187318	3-2, 3-6, 3-10, 3-14
183815	3-2, 3-6, 3-10, 3-14	187436	17-11, 17-16, 17-23, 17-28, 17-64, 17-65
184413	3-16	187625	11-3
184421	11-7	187626	13-3
184422	13-7	187631	2-2, 2-9, 2-13
184423	11-5	187644	7-11
184424	13-5	187651	17-11, 17-28
184585	17-2, 17-4, 17-11, 17-16, 17-23, 17-28, 17-35, 17-41, 17-47, 17-53	187679	7-10
184769	4-4	187680	7-10
185740	14-7	187681	7-10
185757	14-7	187689	18-3
1-861-010005	4-1	187690	18-3
1-861-010032-06	4-4, 18-3	187755	20-2, 20-4, 20-6, 20-8, 20-10, 20-12, 20-14, 20-16, 21-1, 21-2, 21-3, 21-4, 21-5, 21-6, 21-7, 21-8, 22-1, 22-2, 22-3, 22-4, 22-5, 22-6, 22-7, 22-8
1-861-010032-07	3-2, 3-6, 3-10, 3-14	187763	7-10
1-861-010032-08	3-2, 3-6, 3-10, 3-14	188038	2-2, 2-9, 2-13, 3-2, 3-6, 3-10, 3-15
1-861-010032-11	2-2, 2-9, 2-12, 3-2, 3-6, 3-10, 3-14, 20-2, 20-4, 20-6, 20-8, 20-10, 20-12, 20-14, 20-16	188757	14-7
1-861-010032-15	3-16		
1-861-010032-18	20-10, 20-12, 20-14, 20-16, 22-9, 22-10, 22-11		
1-861-010032-19	20-2, 20-4, 20-6, 20-8		

188767	11-1	192504	22-1, 22-2, 22-3, 22-4
188768	13-1	192563	3-2, 3-6, 3-11, 3-15
188774	17-11, 17-16	192570	7-10
188810	1-3	192583	20-6, 20-14
188825	22-15	192584	20-6, 20-8, 20-14, 20-16
188845	17-23, 17-35, 17-41	192585	20-2, 20-4, 20-6, 20-8, 20-10, 20-12, 20-14, 20-16
188846	17-53	192586	20-4, 20-12
188850	17-47	192594	3-16
189451	7-10	192621	13-7
189453	7-10	192623	11-1
189454	7-10	192624	13-1
189468	7-10	192625	13-3
191070	18-3	192626	11-3
191129	20-2, 20-10	192890	2-2, 2-9, 2-13, 3-3, 3-7, 3-11, 3-15
191134	20-4, 20-12	192939	20-2, 20-4, 21-1, 21-2, 22-1, 22-2
191139	20-6, 20-14	192946	2-2, 2-9, 2-13, 3-3, 3-7, 3-11, 3-15
191144	20-8, 20-16	192949	21-1, 21-2, 21-3, 21-4, 21-5, 21-6, 21-7, 21-8
191147	22-3	192951	21-3, 21-4, 21-7, 21-8
191148	22-4	192953	21-3, 21-7
191735	1-3	192955	11-6
191750	19-1, 19-2, 19-3, 19-4, 19-5, 19-6	192956	13-6
191751	19-1	192958	11-8
191752	19-1, 20-10, 20-14, 21-5, 21-7	192959	13-8
191754	22-1, 22-2, 22-3, 22-4	192961	11-2
191757	20-6, 20-8, 21-3, 21-4, 22-4	192962	13-2
191759	22-5, 22-6, 22-7, 22-8	192964	9-2
191762	22-4, 22-11	192965	11-5
191764	22-10, 22-11	192966	13-5
191765	22-3, 22-10	192967	11-4
191976	4-4	192968	13-4
192106	19-3, 19-4, 20-10, 20-12, 21-5, 21-6	193699	3-16
192108	19-4	193730	3-16
192109	19-4, 20-12, 21-6	193757	3-16
192111	21-1, 21-5	193758	3-16
192112	21-2, 21-6	193759	3-16
192113	21-3, 21-7	193760	3-3, 3-7, 3-11, 3-15, 3-16
192114	21-4, 21-8	193807	21-2, 21-6
192127	20-2, 20-4, 20-6, 20-8, 21-1, 21-2, 21-3, 21-4	193808	22-3, 22-4
192481	17-11, 17-16, 17-28, 17-35, 17-53	193810	22-3, 22-4
192498	20-6, 21-3, 22-3		

193814	4-3, 4-4	198845	11-1
195009	14-1, 14-3, 14-5, 15-1, 15-4, 15-7, 16-1	198846	13-1
195027	2-14	198847	11-5
195047	3-3, 3-7, 3-11, 3-15	198848	13-5
195066	20-2, 20-4, 20-10	198849	13-3
195073	18-3	198850	11-3
195115	2-2, 2-9, 2-13, 3-3, 3-7, 3-11, 3-15	198851	11-3
195116	22-10, 22-11	198852	13-3
195117	22-10, 22-11	198853	11-5
195131	8-2, 10-2, 12-2, 14-3	198854	13-5
195132	9-2, 11-2, 11-4, 11-6, 11-8, 13-2, 13-4, 13-6, 13-8, 15-4	198855	11-7
195147	7-10	198856	13-7
195151	15-1	198858	13-7
195152	8-2, 10-2, 12-2, 14-1	198906	9-2
195153	9-2, 13-2, 13-4, 13-6, 13-8, 15-1	198913	11-1
195161	16-1	198914	13-1
195162	16-1	198916	9-2
195163	15-1, 16-1	198917	11-1
195164	14-1, 14-3, 14-5, 15-1, 15-4, 15-7, 16-1	198918	13-1
195210	22-2	198919	11-3
195225	22-5	198920	13-3
195238	22-1	198921	13-3
195239	22-2	198922	11-3
195279	3-3, 3-7, 3-11, 3-15	198923	11-5
195283	2-2, 2-9, 2-13	198924	13-5
196709	7-10	198927	11-5
196754	7-10	198928	13-5
197140	6-2	198929	11-7
197345	22-8	198930	13-7
197354	22-8	198932	13-7
198777	22-5	198934	2-2, 2-9
198778	22-6	199434	20-2, 20-4, 20-6, 20-8, 20-10, 20-12, 20-14, 20-16
198779	22-7	199436	20-2, 20-4, 20-6, 20-8, 20-10, 20-12, 20-14, 20-16
198780	22-8	199437	20-2, 20-4, 20-6, 20-8, 20-10, 20-12, 20-14, 20-16
198785	14-1, 14-3, 14-5, 15-1, 15-4, 15-7	199440	20-4, 20-12
198841	9-2	199441	20-6, 20-8, 20-14, 20-16
198842	11-1	199442	20-6, 20-14
198843	13-1	199883	19-1
198844	9-2		

199889	19-1, 20-2, 20-4, 20-6, 20-8, 21-1, 21-2, 21-3, 21-4	201232	22-1, 22-2
199890	19-1, 20-2, 20-4, 20-6, 20-8, 21-1, 21-2, 21-3, 21-4	201235	22-2
199899	22-15	201236	22-2
199900	22-15	201239	19-2
199901	22-1, 22-2, 22-3, 22-4, 22-15	201240	19-2
199902	22-1, 22-2, 22-3, 22-4, 22-15	201241	19-2, 20-2, 20-4, 21-1, 21-2
199920	17-35, 17-41, 17-47, 17-53	201242	19-2, 20-2, 20-4, 21-1, 21-2
1C380	2-2, 2-9, 2-13	201243	15-9
200300040	17-56, 17-57, 17-58, 17-59, 17-61, 17-62, 17-63	201245	19-2
200743	17-2, 17-4, 17-11, 17-17, 17-23, 17-29, 17-35, 17-41, 17-47, 17-53	201246	19-2
200755	2-9, 2-13	201247	19-2, 20-4, 21-2
200756	3-3, 3-7, 3-11, 3-15	201248	19-2, 20-4, 21-2
200790	11-2, 11-4, 11-6, 11-8	201250	20-2, 20-4, 20-6, 20-8, 20-10, 20-12, 20-14, 20-16, 21-1, 21-2, 21-3, 21-4, 21-5, 21-6, 21-7, 21-8, 22-1, 22-2, 22-3, 22-4, 22-6, 22-8
200791	11-2, 11-4, 11-6, 11-8	201253	17-53
200793	2-2	201256	2-9
200794	10-2	201259	6-2
200795	10-2	201268	6-2
200804	22-15	201270	2-2, 2-9
200829	7-10	201272	20-2, 20-4, 20-6, 20-8
201196	2-14	201273	20-2, 20-4, 20-6, 20-8
201197	2-2, 2-9, 2-13, 2-14	201274	20-2, 20-4, 20-6, 20-8, 20-10, 20-12, 20-14, 20-16
201203	3-3	201275	2-2, 2-9, 2-13, 3-10, 3-14, 17-11, 17-16, 17-17, 17-23, 17-28, 17-29, 17-35, 17-41, 17-47, 17-53, 17-59
201205	3-7	201276	3-3, 3-7, 3-11, 3-15, 17-12, 17-17, 17-23, 17-29, 17-35, 17-41, 17-47, 17-54, 17-59
201207	3-11	201277	3-11, 3-15, 17-35, 17-41, 17-48, 17-54, 17-59
201209	3-15	201279	5-1
201211	3-2, 10-2	201280	5-1
201212	3-2, 12-2	201281	5-1
201213	3-6	201282	5-1
201214	3-6, 12-2	201284	17-5, 17-12, 17-23, 17-48
201215	3-10	201292	2-2, 2-9, 17-12, 17-24, 17-48, 17-61
201216	3-10, 12-2	201293	8-2, 10-2, 12-2, 14-1
201217	3-14	201294	9-2, 11-2, 11-4, 11-6, 11-8, 13-2, 13-4, 13-6, 13-8, 15-1
201218	3-14, 12-2	201295	8-2, 10-2, 12-2, 14-3
201221	17-2, 17-4	201296	9-2, 11-2, 11-4, 11-6, 11-8, 13-2, 13-4, 13-6, 13-8, 15-4
201226	2-9		
201227	2-2, 2-9, 17-5, 17-6		
201231	22-1, 22-2		

201297	8-2, 10-2, 12-2, 14-1	203398	2-10
201298	9-2, 11-2, 11-4, 11-6, 11-8, 13-2, 13-4, 13-6, 13-8, 15-1	203399	2-3
201299	8-2, 10-2, 12-2, 14-3	203421	17-12, 17-24, 17-48
201300	9-2, 11-2, 11-4, 11-6, 11-8, 13-2, 13-4, 13-6, 13-8, 15-4	203422	17-12, 17-24, 17-48
201311	17-48, 17-53	203423	17-12, 17-24, 17-48
201312	17-48, 17-53	203424	17-12, 17-17, 17-24, 17-29, 17-36, 17-42, 17-48, 17-54
201313	17-28, 17-53	203425	17-12, 17-17, 17-24, 17-29, 17-36, 17-42, 17-48, 17-54
201315	17-2, 17-4, 17-12, 17-24, 17-48	203426	17-12, 17-17, 17-24, 17-29, 17-36, 17-42, 17-48, 17-54
201317	1-3	203429	17-5, 17-6, 17-12, 17-17, 17-24, 17-29, 17-36, 17-42, 17-48, 17-54
201321	17-5	203430	17-5, 17-6
201323	2-10	203433	2-3
201331	17-5, 17-12, 17-24, 17-48	203443	1-3
201337	6-3	203445	1-3
201341	17-29	203446	1-3
201342	17-35, 17-41	203447	17-2, 17-4, 17-12, 17-17, 17-24, 17-29, 17-36, 17-42, 17-48, 17-54
201343	17-29, 17-48, 17-54	203450	17-2, 17-4, 17-12, 17-17, 17-24, 17-29, 17-36, 17-42, 17-48, 17-54
201344	17-29, 17-35, 17-41, 17-48, 17-54	203452	5-2
201345	17-48, 17-54	203453	5-2
201346	17-35, 17-41	203454	2-3
201347	3-3, 3-7, 3-11, 3-15, 17-12, 17-17, 17-24, 17-29, 17-36, 17-41, 17-48, 17-54, 17-63	203466	5-1
202702-10-8S	17-2, 17-4, 17-12, 17-17, 17-24, 17-29, 17-36, 17-42, 17-48, 17-54	203467	3-3, 3-7, 3-11, 3-15, 17-2, 17-4, 17-17, 17-29, 17-36, 17-42, 17-53
202702-12-8S	17-2, 17-4, 17-5, 17-12, 17-17, 17-24, 17-29, 17-36, 17-42, 17-48, 17-54	203500	5-2
202702-8-8S	17-2, 17-4, 17-5, 17-6, 17-12, 17-17, 17-24, 17-29, 17-36, 17-42, 17-48, 17-54	203525	14-1, 14-3, 14-5, 15-1, 15-4, 15-7, 15-9
202843	14-1, 14-3, 14-5, 14-7, 15-1, 15-4, 15-7, 15-9	203541	17-2, 17-4
203005-8-8S	17-2, 17-4, 17-5, 17-6, 17-12, 17-17, 17-24, 17-29, 17-36, 17-42, 17-48, 17-54	203566	17-17, 17-29, 17-36, 17-54
203102-8-8S	17-2, 17-4, 17-12, 17-17, 17-24, 17-29, 17-36, 17-42, 17-48, 17-54	203595	17-16, 17-54
203341	17-35, 17-41	203596	17-16, 17-36, 17-42, 17-54
203380	6-3	203597	17-36
203381	3-3, 3-7, 3-11, 3-15, 6-3	203598	17-36
203383	3-3, 3-7, 3-11, 3-15	203599	17-17, 17-29, 17-36, 17-42, 17-54
203386	17-2, 17-4, 17-12, 17-24, 17-48	2061-8-8S	17-2, 17-4, 17-5, 17-11, 17-16, 17-23, 17-28, 17-36, 17-47, 17-54
203391	17-2, 17-4, 17-35, 17-41	206209-8-8S	17-2, 17-4, 17-17, 17-29, 17-36, 17-54
203392	15-1	2062-10-8S	17-2, 17-4, 17-11, 17-17, 17-23, 17-28, 17-36, 17-47, 17-54
203396	2-10, 2-13		

2062-12-8S . 17-2, 17-4, 17-11, 17-17, 17-23, 17-28, 17-36, 17-42, 17-47, 17-54	209205 . . . . . 8-2, 10-2, 12-2, 14-1
2062-8-8S . 3-10, 3-14, 17-2, 17-4, 17-5, 17-6, 17-11, 17-17, 17-23, 17-28, 17-36, 17-47, 17-54	209206 9-2, 11-2, 11-4, 11-6, 11-8, 13-2, 13-4, 13-6, 13-8, 15-1
2071-8-8S . . . 3-3, 3-7, 3-11, 3-15, 17-2, 17-4, 17-11, 17-17, 17-23, 17-28, 17-36, 17-42, 17-47, 17-54	209207 . . . . . 8-2, 10-2, 12-2
207506 . . . . . 14-3	209208 9-2, 11-2, 11-4, 11-6, 11-8, 13-2, 13-4, 13-6, 13-8, 15-1
207507 . . . . . 15-4	209209 . . . . . 8-2, 10-2, 12-2, 14-5
207508 . . . . . 8-2, 10-2, 12-2, 14-3	209210 9-2, 11-2, 11-4, 11-6, 11-8, 13-2, 13-4, 13-6, 13-8, 15-7
207509 9-2, 11-2, 11-4, 11-6, 11-8, 13-2, 13-4, 13-6, 13-8, 15-4	209211 . . . . . 8-2, 10-2, 14-1
207515 . . . . . 14-5, 15-7	209212 9-2, 11-2, 11-4, 11-6, 11-8, 12-2, 13-2, 13-4, 13-6, 13-8, 15-1
207517 . . . . . 8-2, 10-2, 12-2, 14-5	209213 . . . . . 8-2, 10-2, 12-2, 14-5
207518 9-2, 11-2, 11-4, 11-6, 11-8, 13-2, 13-4, 13-6, 13-8, 15-7	209214 9-2, 11-2, 11-4, 11-6, 11-8, 13-2, 13-4, 13-6, 13-8, 15-7
207537 20-10, 20-12, 20-14, 20-16, 21-5, 21-6, 21-7, 21-8, 22-6, 22-7, 22-8	209216 . . . . . 3-11, 3-15
207577 . 20-10, 20-14, 20-16, 21-5, 21-7, 21-8, 22-7, 22-8	209219 . . . . . 3-3, 3-7, 3-11, 3-15
207644 . . . . . 20-10	209299 . . . . . 2-10
208435 . . . . . 17-56	209331 . . . . . 22-10, 22-11
208633 . . . . . 11-2, 11-4, 11-6, 11-8	209366 . . . . . 3-3, 3-7, 3-11, 3-15
208634 . . . . . 11-2, 11-4, 11-6, 11-8	209373 . . . . . 2-2
208644 . 19-3, 19-4, 19-5, 19-6, 20-12, 20-14, 20-16, 21-5, 21-6, 21-7, 21-8	209392 . . . . . 14-1, 14-3, 14-5, 15-4, 15-7
208645 . . . . . 19-3, 19-4, 19-5, 19-6	209393 . . . . . 14-1, 14-3, 14-5, 15-4, 15-7
208647 . . . . . 19-5, 19-6, 20-14, 20-16, 21-7, 21-8	210765 . . . . . 17-2, 17-4
208648 . . . . . 19-5, 19-6	210843 . . . . . 13-2
209162 20-10, 20-12, 20-14, 20-16, 21-5, 21-6, 21-7, 21-8, 22-5, 22-6, 22-8	210844 . . . . . 13-4
209183 20-10, 20-12, 20-14, 20-16, 21-5, 21-6, 21-7, 21-8, 22-5, 22-6, 22-8	210845 . . . . . 13-6
209184 . . . . . 20-12, 21-6, 22-6	210846 . . . . . 13-8
209189 . . . . . 3-3, 3-7, 3-11, 3-15	210861 . . . . . 17-17, 17-29, 17-36, 17-42, 17-54
209193 . . . . . 3-3, 3-7	210880 14-1, 14-3, 14-5, 14-7, 15-1, 15-4, 15-7, 15-9
209194 . . . . . 3-3, 3-7, 3-11, 3-15	210882 . . . . . 1-3
209196 . . . 3-3, 3-7, 3-11, 3-15, 20-10, 20-12, 20-14, 20-16, 21-5, 21-6, 21-7, 21-8	210883 . . . . . 1-3
209196 . . . . . 22-6, 22-7, 22-8	211327 . . . . . 17-16
209197 . . . . . 20-14	212229 . . . . . 8-2, 10-2, 12-2, 14-3
209200 . . . . . 3-3, 3-7, 3-11, 3-15, 6-3	212230 9-2, 11-2, 11-4, 11-6, 11-8, 13-2, 13-4, 13-6, 13-8, 15-4
209203 . . . . . 14-1	212231 . . . . . 8-2, 10-2, 12-2, 14-3
209204 . . . . . 14-1	212232 9-2, 11-2, 11-4, 11-6, 11-8, 13-2, 13-4, 13-6, 13-8, 15-4
	212236 . . . . . 9-2
	212237 . . . . . 9-2
	212238 . . . . . 9-2



212242	11-2, 11-4, 11-6, 11-8	212626	13-8
212243	11-2, 11-4, 11-6, 11-8	212627	13-8
212244	11-2, 11-4, 11-6, 11-8	212628	13-8
212245	11-2, 11-4, 11-6, 11-8	212629	13-8
212246	11-2, 11-4, 11-6, 11-8	2-150-010008	2-9, 3-3
212247	11-2, 11-4, 11-6, 11-8	2-150-010174	2-2, 2-9, 2-13
212561	11-1	215351	5-2
212562	11-1	215352	5-2
212563	11-2	217316	9-2
212567	13-1	217318	9-2
212568	13-1	217320	9-2
212569	13-1	217940	2-10
212570	13-2	217942	2-3
212571	13-2	217943	2-3
212572	13-2	217967	20-10, 20-12, 20-16
212573	13-2	2-181-010001	2-2, 2-9, 2-13
212574	13-2	218640	17-56
212575	13-2	218641	17-56
212585	13-3	218733	14-7
212586	13-3	218739	15-9
212587	13-3	219945	14-7
212588	13-3	219947	18-3
212589	13-3	220000209	17-59
212590	13-4	220000210	17-57, 17-58, 17-59, 17-61, 17-62
212591	13-4	220000211	17-56
212592	13-4	220000212	17-63
212593	13-4	221063	15-9
212604	13-5	221066	15-9
212605	13-5	221955	20-10, 20-12, 20-14, 20-16, 21-5, 21-6, 21-7, 21-8, 22-6, 22-7, 22-8
212606	13-5	221956	20-10, 20-12, 21-5, 21-6, 22-6
212607	13-5	221957	20-14, 20-16, 21-7, 21-8, 22-7, 22-8
212608	13-6	221958	20-14, 21-7, 22-7
212609	13-6	223374	17-16, 17-28, 17-35, 17-41, 17-47, 17-53
212610	13-6	223387	20-10, 20-12, 20-14, 20-16
212611	13-6	224429	20-10, 20-12, 20-14, 20-16
212621	13-7	224439	6-2
212622	13-7	224440	6-2
212623	13-7	2-368-010287	18-3
212624	13-7		
212625	13-7		



---

2-474-010022 17-2, 17-4, 17-11, 17-16, 17-23, 17-28,  
17-36, 17-47, 17-54

250014137 ..... 17-60

2-573-010037 ..... 1-3

2-573-010198 ..... 1-3

2-573-010330-02 ..... 1-3

2-573-010330-03 ..... 1-3

2P793 ..... 2-3, 2-10, 3-3, 3-7, 3-11, 3-15

3/4-10X2-1/2CB 2-3, 2-10, 2-13, 3-3, 3-7, 3-11, 3-15,  
3-16

3067 ..... 4-3, 4-4

3-573-010210 ..... 1-3

3P011 . . 20-2, 20-4, 20-6, 20-8, 20-10, 20-12, 20-14,  
20-16

3P079 . 20-10, 20-12, 20-14, 20-16, 21-5, 21-6, 21-7,  
21-8, 22-5, 22-6, 22-7, 22-8

4001060 ..... 4-1

4K607 ..... 17-2, 17-4, 17-12, 17-24, 17-48

5000 ..... 4-1

50002-76 ..... 17-17, 17-29, 17-36, 17-42, 17-54

5013 ..... 4-4

50976-26 ..... 17-12, 17-24, 17-48

528933 ..... 1-3

528934 ..... 1-3

528938 ..... 1-3

5J768 . 20-10, 20-12, 20-14, 20-16, 21-5, 21-6, 21-7,  
21-8, 22-5, 22-6, 22-7, 22-8

622-3511-010 . . . 14-1, 14-3, 14-5, 14-7, 15-1, 15-4,  
15-7, 15-9

70260977 ..... 18-3

71508985 ..... 17-12, 17-24, 17-48

71508988 17-12, 17-17, 17-24, 17-29, 17-36, 17-42,  
17-48, 17-54

71509000 ..... 17-12, 17-17, 17-24, 17-29

71509382 17-12, 17-17, 17-24, 17-29, 17-36, 17-42,  
17-48, 17-54

71600087 ..... 17-12, 17-24, 17-48, 17-54

71600088 ..... 17-12, 17-17, 17-24, 17-29

71600089 ..... 17-28, 17-48, 17-53

8-573-010084 ..... 1-3

8K047 ..... 2-3, 2-10, 2-13

8K756 ..... 2-3, 2-10, 2-13

---

**F**

F-894 ..... 1-2

F-895 ..... 1-2

---

**H**

HM212011 ..... 4-3, 4-4

HM212049 ..... 4-3, 4-4

HM218210 ..... 4-3, 4-4

HM218248 ..... 4-3, 4-4

---

**T**

TR575 ..... 5-2

# Instructions for Ordering Parts

**\*\* Repair parts must be ordered through an Authorized Dealer \*\***

## DEALER INSTRUCTIONS FOR ORDERING PARTS FROM LANDOLL PARTS DISTRIBUTION CENTER

Phone #: 800-423-4320 or 785-562-5381

Fax #: 888-527-3909

Order online: [dealer.landoll.com](http://dealer.landoll.com)

### IDENTIFICATION PLATE

The identification plate, which lists the model number and serial number, is located on the front of the frame.

### SERIAL NUMBER

The serial number is located on the identification plate.



### Identification Plate and Location

### Manuals for 7833 HSL (High Speed Landoll)

Manual Number	Manual Type
F-894	Operator's Manual
F-895	Parts Manual

## Document Control Revision Log:

Date	Form #	Improvement(s): Description and Comments
04/03/2018	F-895-0818	Initial Release
10/15/2018	F-895-0818	ECN 44101, Tire & Wheel Assy
10/29/2018	F-895-1018	Add Spring Reel Assy View (Before 03/01/18)
02/12/2019	F-895-0219	ECN 44208 - Scraper Update
08/27/2019	F-895-0819	ECN 45170 - Rockshaft Update
10/15/2019	F-895-1019	ECN 45244, 45357 - Update Cylinders
06/11/2020	F-895-0620	ECN 45652 - Bearing Cap and Mounting Hardware ECN 45881 - Hydraulic Cylinder Service Number, 8" Rephase ECN 45886 - Hydraulic Plug 1-007-010025 ECN 46096 - 10 Bolt Hub Assembly Parts
02/2021	F-895-0221	ECN 43333 - 25' & 30' LH Wing Assembly ECN 43719 - Decal Updates ECN 44101 - Wheel Assemblies ECN 45357 - Cylinder Updates and Assembly ECN 45589 - Hub and Spindle Changes ECN 45708 - 25' Wing Assembly Stroke Cylinders, Hydraulics ECN 46640 - Updates - Hitch Assembly and Tilt Control Kit ECN 46722 - Center Section Update ECN 46746 - Double-Tine Kit, Added Relief Valve and Hoses for 35' & 40'



---

# Intertek

Equipment from Landoll Company, LLC is built to exacting standards ensured by ISO 9001 registration at all Landoll manufacturing facilities.

## Model 7833 High Speed Landoll (HSL) Parts Manual

### Re-Order Part Number F-895

**LANDOLL COMPANY, LLC**

1900 North Street

Marysville, Kansas 66508

(785) 562-5381

800-428-5655 ~ **WWW.LANDOLL.COM**



Copyright 2021. Landoll Company, LLC

“All rights reserved, including the right to reproduce this material or portions thereof in any form.”

