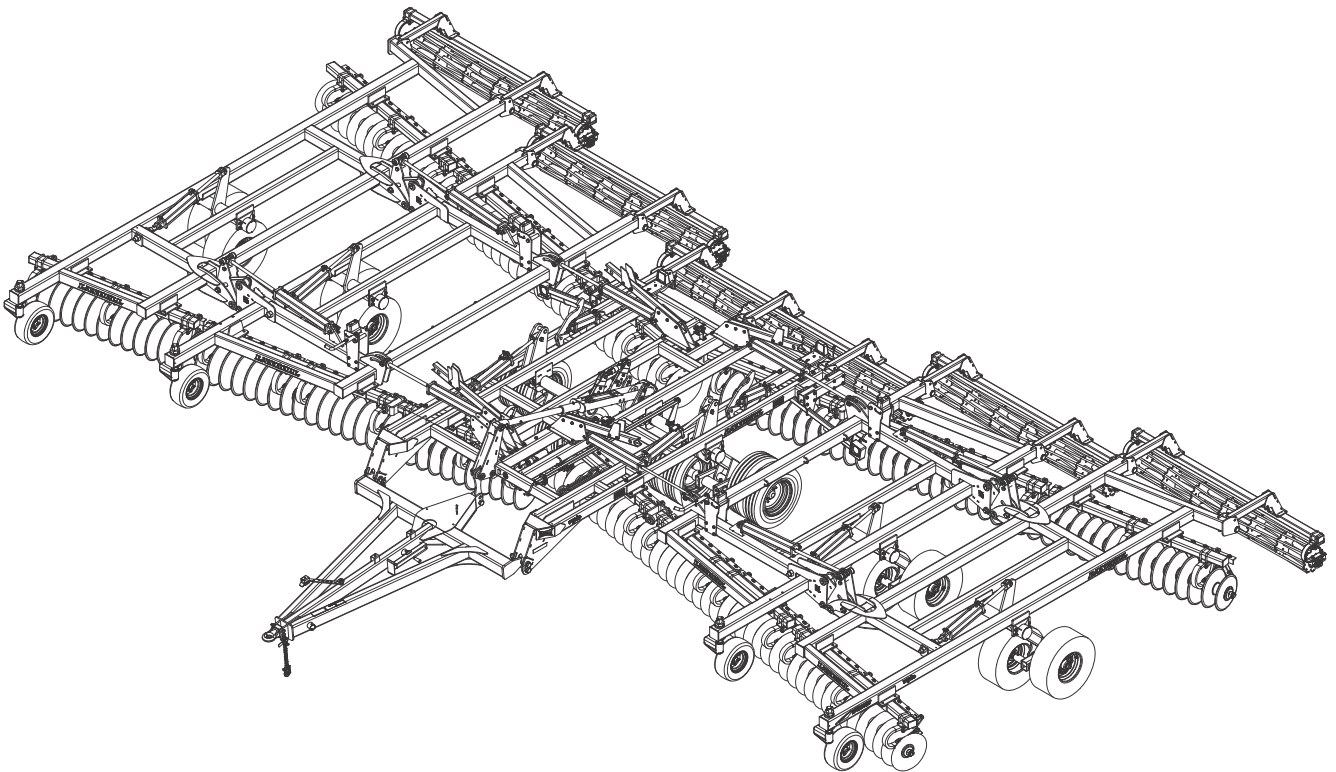




# Model 7450 VT Plus Parts Manual



## **LANDOLL CORPORATION**

1900 North Street  
Marysville, Kansas 66508  
(785) 562-5381

800-428-5655 ~ [WWW.LANDOLL.COM](http://WWW.LANDOLL.COM)

---

---

## 1 Instructions for Ordering Parts

## 2 Illustrated Parts List

GENERAL ASSEMBLY .....	2-1
FRAME CENTER AND DEPTH CONTROL ASSEMBLY .....	2-4
DEPTH STOP TUBE ASSEMBLY .....	2-7
LIFT WHEEL ASSEMBLY, FRAME CENTER .....	2-9
HUB/SPINDLE ASSEMBLY 164558-PRIOR 1-1-2017 .....	2-11
HUB/SPINDLE ASSEMBLY 191974-AFTER 1-1-2017 .....	2-13
INNER WING FRAME AND STABILIZER ASSEMBLY .....	2-15
INNER WING LIFT WHEEL ASSEMBLY .....	2-17
OUTER WING FRAME AND FOLD LOCK ASSEMBLY .....	2-21
OUTER WING LIFT WHEEL ASSEMBLY .....	2-23
HUB AND SPINDLE ASSEMBLY - 8 Bolt (2-1/4") .....	2-25
HUB AND SPINDLE ASSEMBLY - 8 BOLT (3") .....	2-26
HITCH ASSEMBLY .....	2-29
HITCH ASSEMBLIES .....	2-30
LEVELING LINKAGE ASSEMBLY .....	2-33
7,000 LB. SIDEWIND JACK ASSEMBLY .....	2-34
LEVELER ASSEMBLY .....	2-35
DUAL TIRE SCRAPER KIT ASSEMBLY .....	2-36
REAR TOW HITCH ASSEMBLY .....	2-37
REAR TOW ASSEMBLY .....	2-38
REAR TOW HITCH HYDRAULIC KIT (OPTION) .....	2-39
FRONT GAUGE WHEEL ASSEMBLY .....	2-41
DISC GANG ASSEMBLY .....	2-43
39' DISC GANG PLACEMENT PARTS .....	2-45
44' DISC GANG PLACEMENT PARTS .....	2-47
49' DISC GANG PLACEMENT PARTS .....	2-49
CONDITIONER REEL ASSEMBLY .....	2-51
HYDRAULIC CONDITIONER REEL ASSEMBLY .....	2-54

---

REEL/GANGBAR ASSEMBLY .....	2-59
REEL DOUBLE SPRING ASSEMBLY .....	2-61
REEL DOUBLE HYDRAULIC ASSEMBLY WINGS .....	2-63
REEL DOUBLE ASSEMBLY .....	2-65
DOUBLE ROUND REEL ASSEMBLY .....	2-67
DOUBLE REEL ASSEMBLY CENTER .....	2-69
CYLINDER - 2-1/2" X 1" (1" THDS) .....	2-70
CYLINDER - 2-1/2" X 1" (1-1/8" THDS) .....	2-71
ELECTRICAL ASSEMBLY .....	2-73
LIFT HYDRAULIC ASSEMBLY .....	2-77
FOLD HYDRAULIC ASSEMBLY .....	2-82
FRONT MANIFOLD ASSEMBLY .....	2-84
REAR MANIFOLD ASSEMBLY .....	2-85
CYLINDER ASSEMBLY - 4 X 8 .....	2-86
CYLINDER - REPHASE ASSEMBLY - 3-1/4 X 8 .....	2-87
CYLINDER - REPHASE ASSEMBLY - 3-1/2 X 8 .....	2-88
CYLINDER - REPHASE ASSEMBLY - 4 X 16 .....	2-89
CYLINDER - REPHASE ASSEMBLY - 4-1/2 X 16 .....	2-90
CYLINDER ASSEMBLY - 4 X 30 .....	2-91
CYLINDER ASSEMBLY - 4-1/2 X 30 .....	2-92
CYLINDER - REPHASE ASSEMBLY - 3-3/4 X 16 .....	2-93
DECAL INSTALLATION .....	2-95

## **1 Numerical Index**



# Instructions for Ordering Parts

## ORDER PARTS FROM LANDOLL PARTS DISTRIBUTION CENTER

**\*\* Repair parts must be ordered through an Authorized Dealer \*\***

Phone #:: **800-423-4320** or **785-562-538**

Fax #: **888-527-3909**

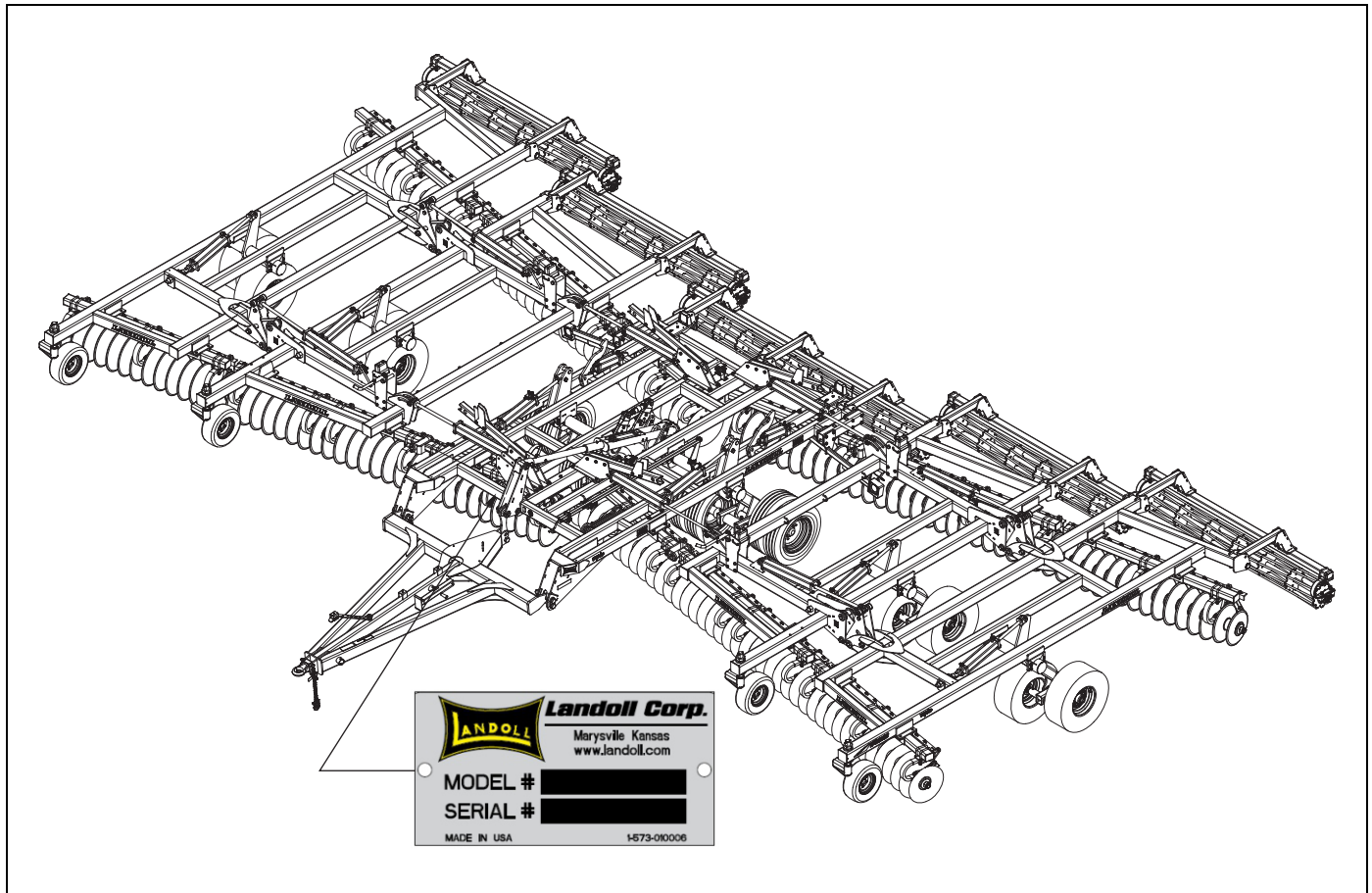
Order online: [dealer.landoll.com](http://dealer.landoll.com)

## IDENTIFICATION PLATE

The identification plate, which lists the model number and serial number, is located on the front of the frame See Figure 1-1.

## SERIAL NUMBER NOMENCLATURE

The serial number for the 7431 VT Plus is located on the identification plate.



**Figure 1-1: Identification Plate and Location**



# Illustrated Parts List

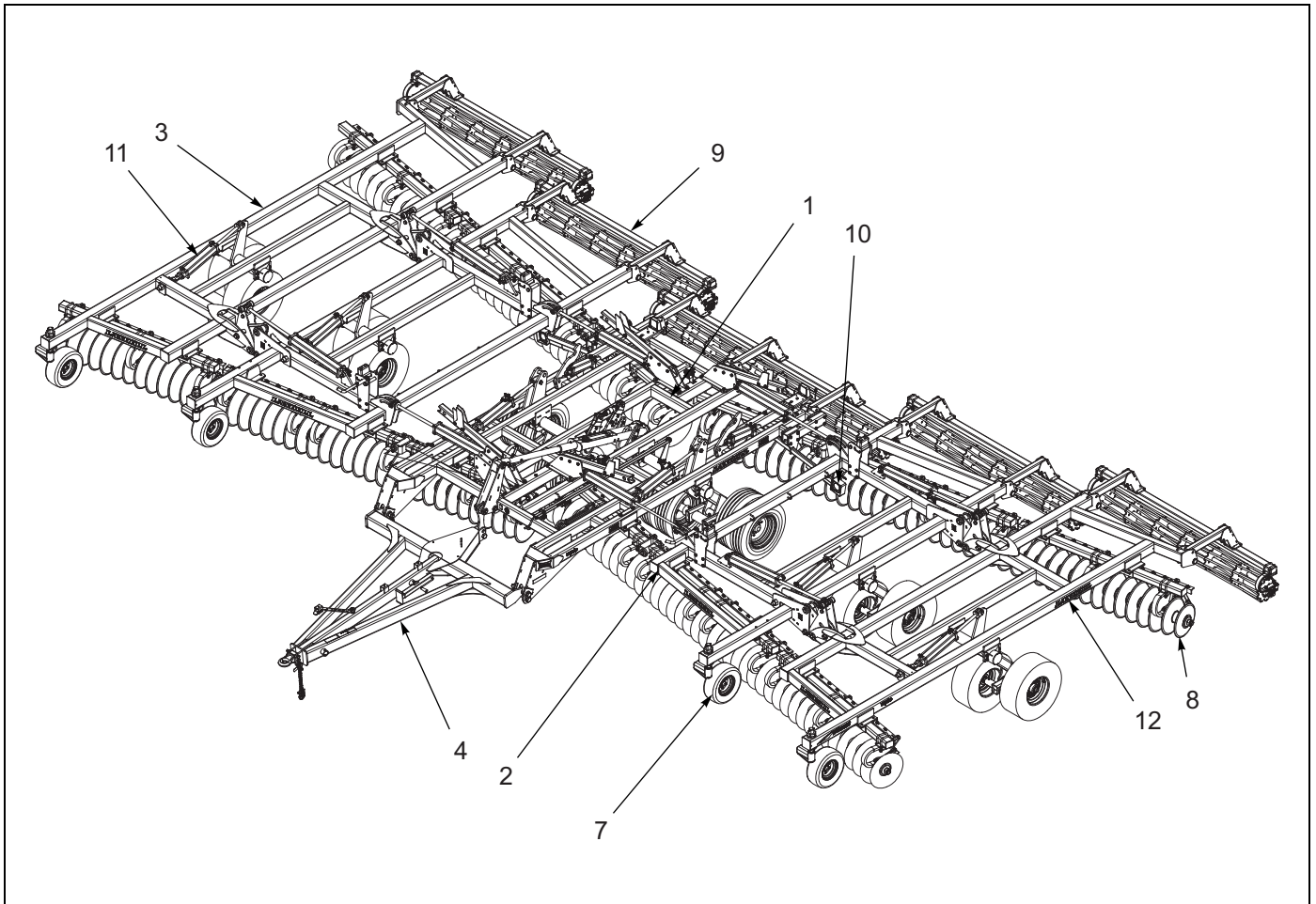


Figure 2-1: General Assembly

## GENERAL ASSEMBLY

ITEM	PAGE NO.	DESCRIPTION	QTY.
1	2-2 - 2-13	FRAME CENTER AND LIFT WHEEL ASSEMBLIES	
2	2-14 - 2-15	INNER FRAME AND LIFT WHEEL ASSEMBLIES	
3	2-20 - 2-23	OUTER FRAME AND LIFT WHEEL ASSEMBLIES	
4	2-28 - 2-35	HITCH AND LEVELING LINKAGE ASSEMBLIES	
5	2-36	DUAL TIRE SCRAPER ASSEMBLY (NOT SHOWN)	
6	2-37	REAR TOW HITCH ASSEMBLY (NOT SHOWN)	
7	2-40 - 2-41	FRONT GAUGE WHEEL ASSEMBLY	
8	2-42 - 2-49	DISC GANG ASSEMBLIES	
9	2-50 - 2-71	CONDITIONER REEL ASSEMBLIES	
10	2-72 - 2-73	ELECTRICAL ASSEMBLY	
11	2-74 - 2-93	HYDRAULIC ASSEMBLIES	
12	2-94 - 2-95	DECAL INSTALLATION	

# ILLUSTRATED PARTS LIST

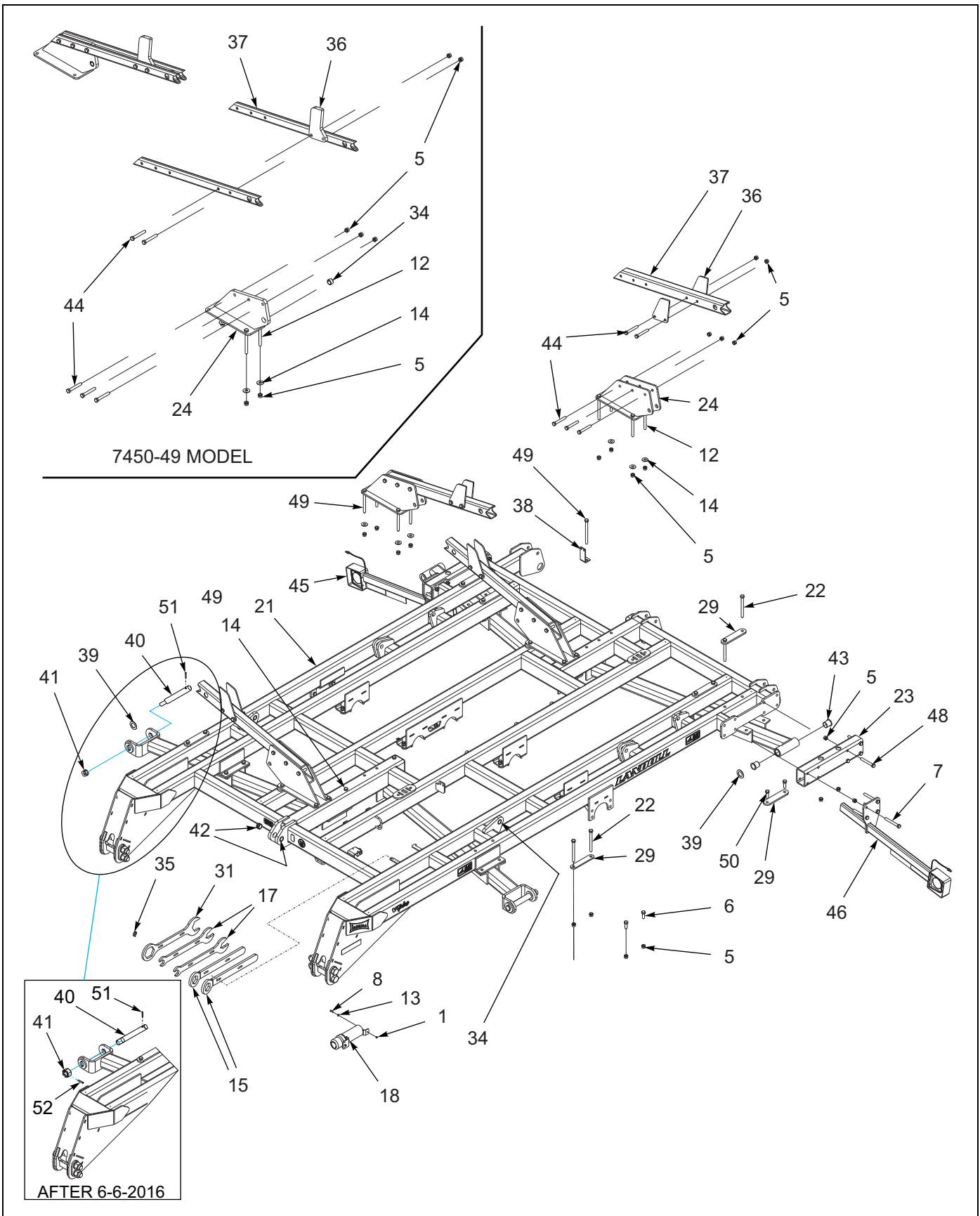


Figure 2-2: Frame Center and Depth Control Assembly (1 of 2)

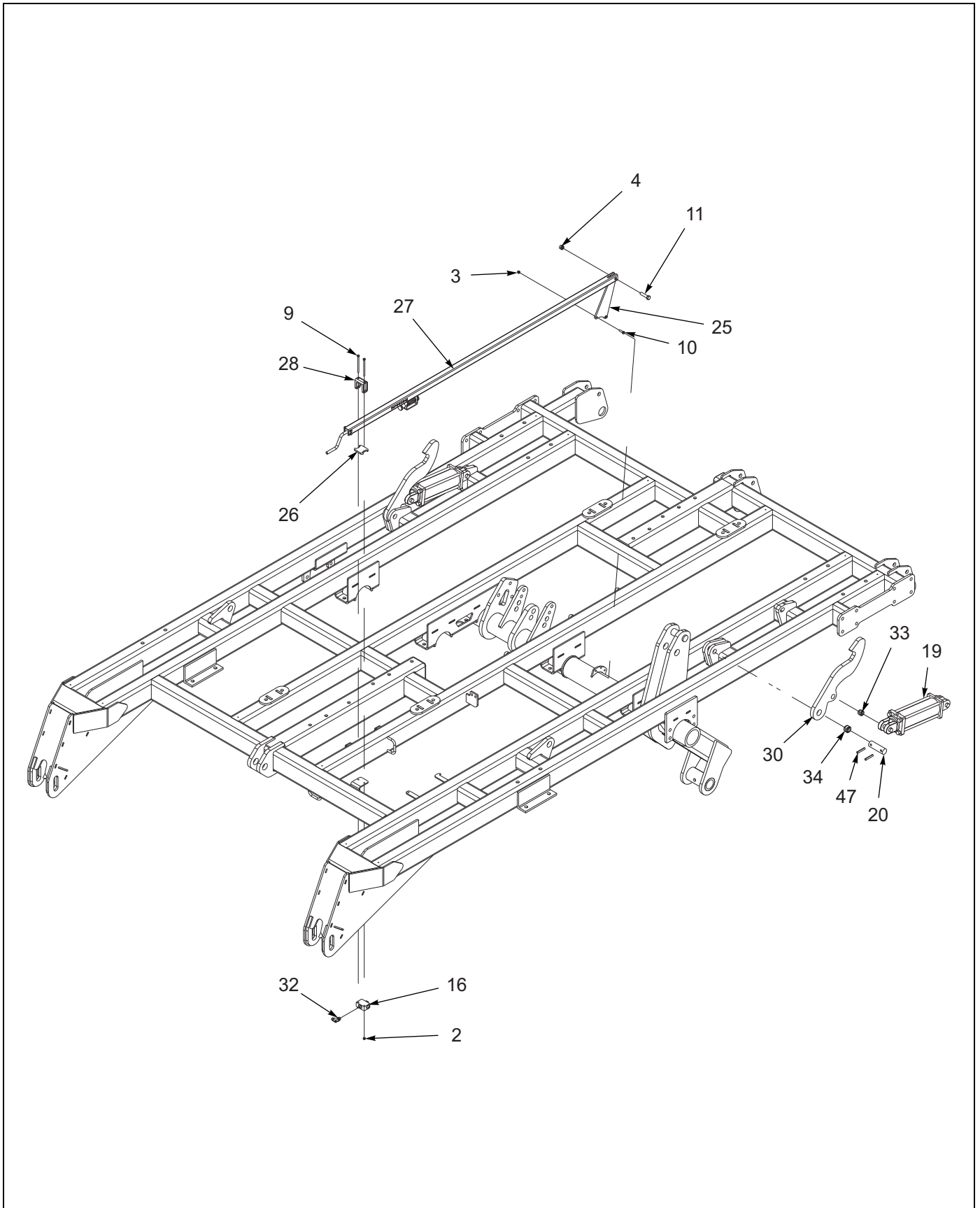


Figure 2-3: Frame Center and Depth Control Assembly (2 of 2)

## FRAME CENTER AND DEPTH CONTROL ASSEMBLY

ITEM	PART NO.	DESCRIPTION	QTY.
	161676	FRAME CENTER ASSEMBLY (39' & 44')	
	161678	FRAME CENTER ASSEMBLY (49')	
1	1-512-010005-01	NUT, HEX LOCK 1/4-20 GRB	2
2	1-512-010005-03	NUT, HEX LOCK 5/16-18 GRB	2
3	1-512-010005-05	NUT, HEX LOCK 3/8-16 GRB	2
4	1-512-010005-13	NUT, HEX LOCK 5/8-11 GRB	1
5	1-512-010005-15	NUT, HEX LOCK 3/4-10 GRB	11
6	1-654-010032-05	SCREW, HEX HEAD CAP 3/4-10 X 2 GR8	6
7	W908409-4	SCREW, HEX HEAD CAP 3/4-10 X 6 GR5	8
8	1-654-010047-06	SCREW, HEX HEAD CAP 1/4-20 X 1 GR5	2
9	1-654-010049-19	SCREW, HEX HEAD CAP 5/16-18 X 5 GR5	2
10	1-654-010051-06	SCREW, HEX HEAD CAP 3/8-16 X 1-1/4 GR5	2
11	1-654-010059-07	SCREW, HEX HEAD CAP 5/8-11 X 2-1/2 GR5	1
12	1-654-010061-21	SCREW, HEX HEAD CAP 3/4-10 X 8 GR5	8
13	1-861-010032-07	WASHER, FLAT 1/4	2
14	1-861-010032-21	WASHER, FLAT 3/4 W	11
15	140533	GANG WRENCH	2
16	140693	VALVE, LIMIT	1
17	141109	WRENCH, ADJUSTMENT	2
18	142753	MANUAL HOLDER	1
19	145203	CYLINDER, HYDRAULIC 3-1/2 X 8 (SEE PAGE 2-88)	1
20	147755	CLEVIS PIN	2
21	161662	FRAME CENTER	1
22	162249	SCREW, HEX HEAD CAP 3/4-10 X 8 GR8	16
23	163629	TUBE, ARM SHORT	2
24	163639	MOUNT, FOLD-STABILIZER (39')	4
24	163639	MOUNT, FOLD-STABILIZER (44')	4
24	167576	MOUNT, FOLD-STABILIZER (49')	4
25	164124	MOUNT, DEPTH CONTROL	1
26	165257	PAD, SLIDE	1
27	165264	DEPTH STOP ASSEMBLY, (S/N 5186 AND BELOW) (SEE PAGE 2-7)	1
27	180120	DEPTH STOP ASSEMBLY, (S/N 5187 AND ABOVE) (SEE PAGE 2-7)	1
28	165265	GUIDE, DEPTH STOP	1
29	165267	PLATE, CLAMP	8
30	165283	LOCK, TRANSPORT	2
31	165302	WRENCH, GAUGE WHEEL	1
32	2062-8-8S	ADAPTER, 90	1
33	2-150-010008	BUSHING, STEEL 1-1/4OD X 1ID X 1	2
34	2-150-010174	BUSHING, STEEL 1-5/8 X 1-1/4 X 1	2
35	70239854	PIN, QUICK HITCH	1
36	164554	STOP, OUTER WING (39')	8
36	167574	STOP, OUTER WING (44')	8
36	167580	STOP, OUTER WING (49')	8
37	163642	WING STABILIZER (39' & 44')	4
37	167579	WING STABILIZER (49')	4
38	141854	BRACKET, MANIFOLD MOUNT	REF
39	164539	WASHER, THRUST 1-3/4	8
40	164553	PIN, HINGE (BEFORE 6-6-2016)	4
40	198404	PIN, HINGE 1-3/4 (AFTER 6-6-2016)	4

## FRAME CENTER AND DEPTH CONTROL ASSEMBLY

ITEM	PART NO.	DESCRIPTION	QTY.
41	101385	NUT, HEX LOCK 1-1/4-7 GRB <b>(BEFORE 6-6-2016)</b>	4
41	23085	NUT HEX SLOTTED 1 3/4-5 <b>(AFTER 6-6-2016)</b>	4
42	2-150-010218	BUSHING, LEVELING LINKAGE	8
43	164533	BEARING, FLANGE 1-3/4	4
44	1-654-010061-15	SCREW, HEX HEAD CAP 3/4-10 X 5 GR5	5
45	165268	BRACKET WELDMENT, RH W/ REFLECTORS <b>(SEE PAGE 2-73)</b>	REF
46	165269	BRACKET WELDMENT, LH W/ REFLECTORS <b>(SEE PAGE 2-73)</b>	REF
47	111789	ROLL PIN	2
48	1-654-010061-16	SCREW, HEX HEAD CAP 3/4-10 X 5-1/2 GR5	8
49	1-654-010032-23	SCREW, HEX HEAD CAP 3/4-10 X 9 GR8	10
50	100941	SCREW, HEX HEAD CAP 3/4-10 X 2-1/4 GR8	16
51	144115	PIN, GROOVED ALLOY 1/2 X 2-1/4 <b>(BEFORE 6-6-2016)</b>	8
51	148382	PIN, WALKING BEAM SPINDLE <b>(AFTER 6-6-2016)</b>	8
52	1-647-010004257	PIN,SPRING,SLOTTED 3/8X2-1/2 <b>(AFTER 6-6-2016)</b>	4





## DEPTH STOP TUBE ASSEMBLY

ITEM	PART NO.	DESCRIPTION	QTY.
	165264	DEPTH STOP ASSEMBLY 96", S/N 5186 AND BELOW	1
	180120	DEPTH STOP ASSEMBLY 95", S/N 5187 AND UP	1
1	1-512-010005-03	NUT, HEX LOCK 5/16-18 GRB	2
2	1-630-010021-03	RING, RETAINING 1 HD	1
3	108628	SCREW, HEX HEAD CAP 5/16-18 X 2-1/4 GR5	2
4	122917	SPRING, COMPRESSION 4-1/2	1
5	144048	NUT, SQUARE 5/8-11 GR5	1
6	165258	HANDLE, DEPTH STOP	1
7	165259	STOP, HANDLE LONG	1
8	165260	STOP, HANDLE SHORT	1
9	165264	SQUARE TUBE, DEPTH STOP 96", <b>(S/N 5186 AND BELOW)</b>	1
9	180121	SQUARE TUBE, DEPTH STOP 95", <b>(S/N 5187 AND ABOVE)</b>	1
10	166717	SQUARE TUBE, FLOATING	1
11	174708	PIN, DEPTH STOP	1
12	174709	SQUARE TUBE, DEPTH STOP	1

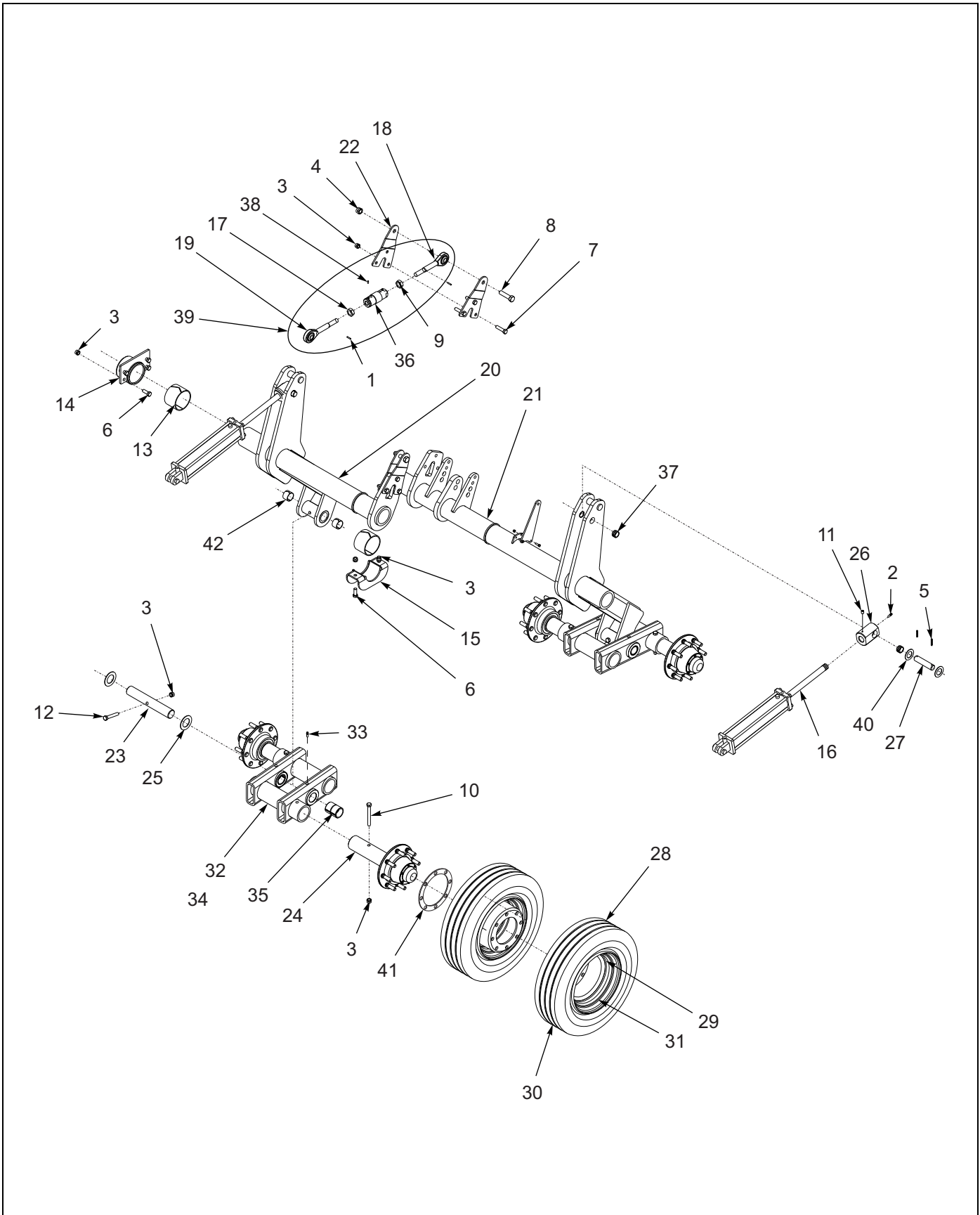


Figure 2-5: Lift Wheel Assembly, Frame Center

## LIFT WHEEL ASSEMBLY, FRAME CENTER

ITEM	PART NO.	DESCRIPTION	QTY.
	161676	FRAME CENTER ASSEMBLY	
1	0600-250-01250	ROLL PIN 1/4 X 1-1/4 LONG	2
2	1-298-010001-1	ZERK FITTING 1/4	4
3	1-512-010005-15	NUT, HEX LOCK 3/4-10 GRB	30
4	1-512-010005-19	NUT, HEX LOCK 1-8 GRB	2
5	1-647-010004240	PIN, SPRING SLOTTED 5/16 X 2-1/2	4
6	1-654-010061-05	SCREW, HEX HEAD CAP 3/4-10 X 2 GR5	18
7	1-654-010061-09	SCREW, HEX HEAD CAP 3/4-10 X 3 GR5	6
8	1-654-010065-13	SCREW, HEX HEAD CAP 1-8 X 4 GR5	2
9	100823	NUT, HEX JAM 1-1/4-7 GR2	1
10	100855	SCREW, HEX HEAD CAP 3/4-10 X 6-1/2 GR5	4
11	122709	SET SCREW, HEX SOCKET CUP PT 3/8-16 X 1/2	2
12	126108	SCREW, HEX HEAD CAP 3/4-10 X 4-1/2 GR8	2
13	140519	BEARING, UHMW 4IN	7
14	141209	BEARING CAP, LIFT	2
15	141234	BEARING CAP, LIFT	5
16	146824	CYLINDER, 4-1/2 X16 REPHASE <b>(SEE PAGE 2-90)</b>	2
17	153803	NUT HEX JAM, LH 1-1/4-7 GR2	1
18	159553	SCREW, SHORT LH RADIUS ROD	1
19	159557	SCREW, SHORT RH RADIUS ROD	1
20	162724	LIFT, CENTER RIGHT	1
21	162725	LIFT, CENTER LEFT	1
22	162765	PLATE, OFFSET	4
23	164501	SPINDLE, WALKING BEAM	2
24	164558	HUB/SPINDLE ASSEMBLY <b>(PRIOR 1-1-2017) (SEE PAGE 2-11)</b>	4
24	191974	HUB/SPINDLE ASSY, 4" W/ZERK <b>(AFTER 1-1-2017) (SEE PAGE 2-13)</b>	1
25	164563	WASHER, THRUST 2-1/2	4
26	165238	BLOCK, CYLINDER ROD	2
27	165256	PIN, LIFT	2
28	167551	TIRE AND WHEEL ASSEMBLY 235/75R17.5 DC STL PLT <b>(INCL ITEMS 29-31)</b>	8
29	TR416	VALVE STEM	8
30	147473	TIRE 235/75R 17.5 DOUBLE COIN	8
31	167552	WHEEL, DISC PILOT MOUNT 17.5 X 6.75 <b>(AFTER 01/15/2012)</b>	8
31	3-870-010097	WHEEL, DISC PILOT MOUNT 17.5 X 6.75 <b>(PRIOR TO 01/15/2012)</b>	8
32	167553	WALKING BEAM ASSEMBLY 4" <b>(INCL ITEMS 33 - 35)</b>	2
33	153804	FITTING, GREASE STR LONG 1/4-28 <b>(PRIOR TO JULY, 2013)</b>	4
33	171024	FITTING, GREASE STR 5/16-24 <b>(AFTER JULY, 2013)</b>	8
34	163696	WALKING TANDEM - 4" SP	1
35	165286	BUSHING, SPRING 3 X 2-1/2 X 4	2
36	167569	RADIUS ROD WELDMENT 7"	1
37	2-150-010218	BUSHING, LEVELING LINKAGE	8
38	1-654-010080-22	SET SCREW, SQ HEAD CUP PT 1/2-13 X 1-1/4	1
39	167568	RADIUS ROD ASSEMBLY, LIFT <b>(INCL. ITEMS 1-2, 9, 17-19, 36, 38)</b>	1
40	170258	BUSHING, MACHINE 1-1/2 X 10 GA	4
41	167586	SPACER, WHEEL	REF
42	198351	CONNEX, 2-3/4 X 2-1/2 X 1-1/2L <b>(AFTER 02/20/2017)</b>	4

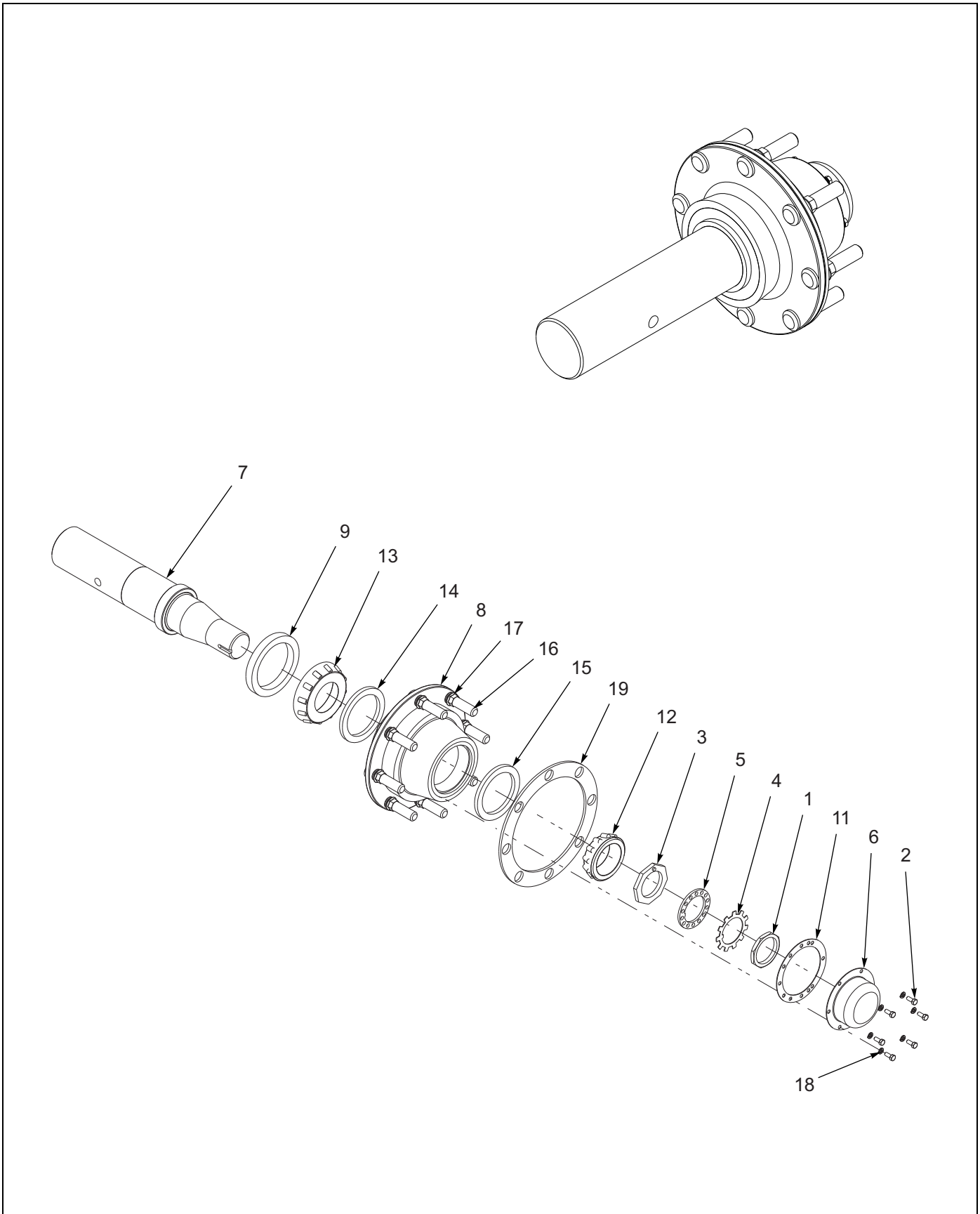


Figure 2-6: Hub/Spindle Assembly 164558

**HUB/SPINDLE ASSEMBLY 164558-PRIOR 1-1-2017**

ITEM	PART NO.	DESCRIPTION	QTY.
	164558	HUB/SPINDLE ASSEMBLY	
1	006-115-00	NUT, OUTER SPINDLE	1
2	1-654-010049-03	SCREW, HEX HEAD CAP 5/16-18 X 3/4 GR5	6
3	103103-002	INNER SPINDLE NUT	1
4	105106	STAR LOCKWASHER	1
5	105107	LOCK WASHER	1
6	168456	HUBCAP	1
7	167649	SPINDLE AND SLEEVE ASSEMBLY, 4 X 22-1/4	1
8	164557	HUB W/CUPS, 8 BOLT <b>(INCL. ITEMS 14-17)</b>	1
9	165254	SEAL, TRIPLE TEFLON 4-5/8	1
11	3067	GASKET, HUB	1
12	HM212049	OUTER BEARING A19S	1
13	HM218248	INNER BEARING	1
14	HM218210	INNER BEARING CUP	1
15	HM212011	OUTER BEARING CUP	1
16	101162	STUD BOLT (8 BOLT)	8
17	179933	LUG NUT (8 BOLT)	8
18	1-861-010034-10	WASHER, SPLIT LOCK 5/16	6
19	167586	SPACER, WHEEL	1

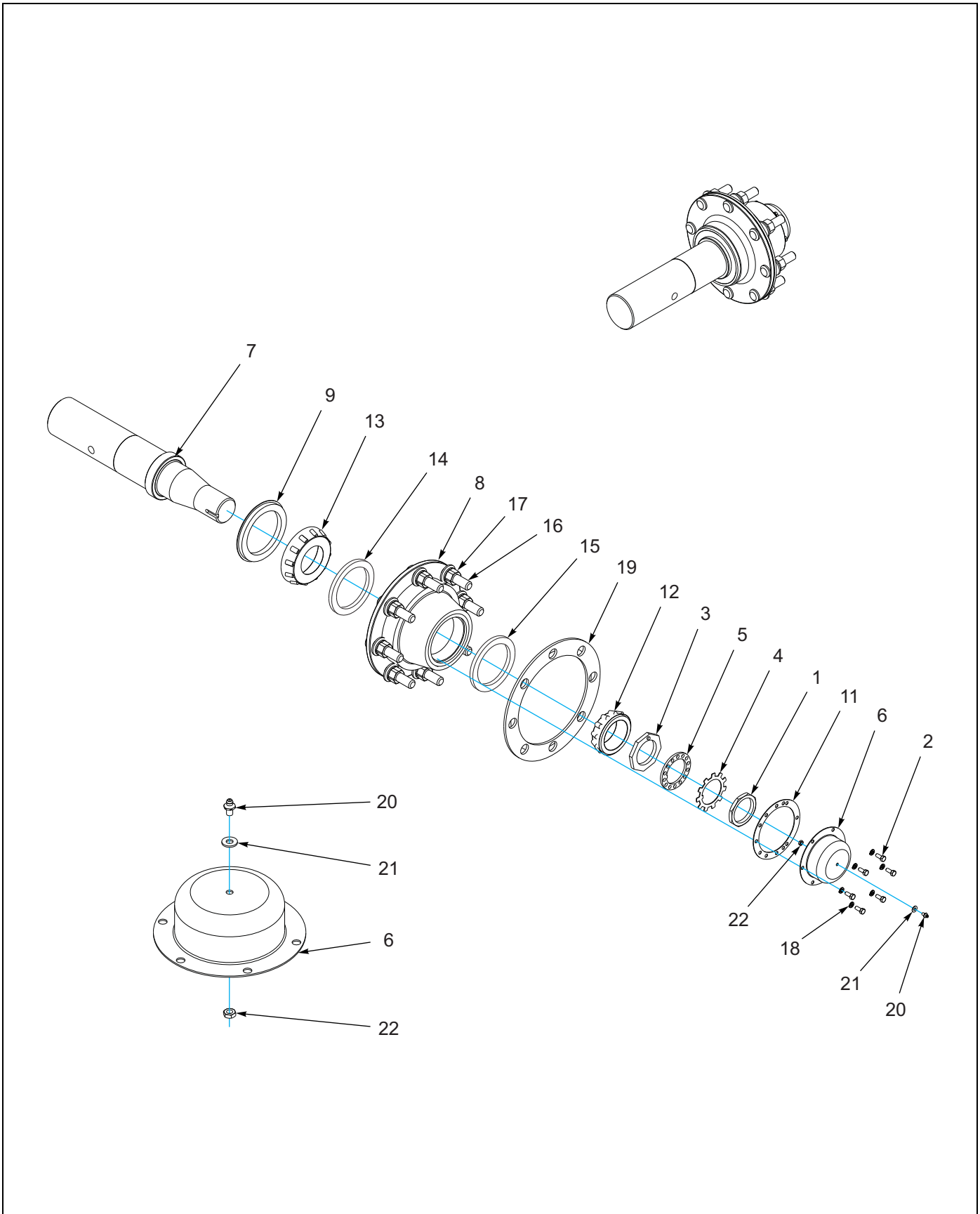


Figure 2-7: Hub/Spindle Assembly 191974

**HUB/SPINDLE ASSEMBLY 191974-AFTER 1-1-2017**

ITEM	PART NO.	DESCRIPTION	QTY.
	191974	HUB/SPINDLE ASSY, 4" W/ZERK	
1	006-115-00	NUT, OUTER SPINDLE	1
2	1-654-010049-03	SCREW, HEX HEAD CAP 5/16-18 X 3/4 GR5	6
3	103103-002	INNER SPINDLE NUT	1
4	105106	STAR LOCKWASHER	1
5	105107	LOCK WASHER	1
6	191976*	HUBCAP W/ 1/4 HOLE	1
7	167649	SPINDLE AND SLEEVE ASSEMBLY, 4 X 22-1/4	1
8	164557	HUB W/CUPS, 8 BOLT <b>(INCL. ITEMS 14-17)</b>	1
9	184769*	SEAL, PURGABLE 6 OD X 4-4/8 ID	1
11	3067	GASKET, HUB	1
12	HM212049	OUTER BEARING A19S	1
13	HM218248	INNER BEARING	1
14	HM218210	INNER BEARING CUP	1
15	HM212011	OUTER BEARING CUP	1
16	101162	STUD BOLT (8 BOLT)	8
17	179933	LUG NUT (8 BOLT)	8
18	1-861-010034-10	WASHER, SPLIT LOCK 5/16	6
19	167586	SPACER, WHEEL	1
20	5013*	ZERK, FITTING 1/4-28SAEX11/16	1
21	1-861-010032-06*	WASHER, FLAT 1/4 N ZP/CD	1
22	1404013*	NUT JAM HEX HD GR 5 1/4-28	1

\* NOTE: DIFFERENCE BETWEEN 164588 AND 191974 ARE ITEMS 6, 9, 20, 21, 22

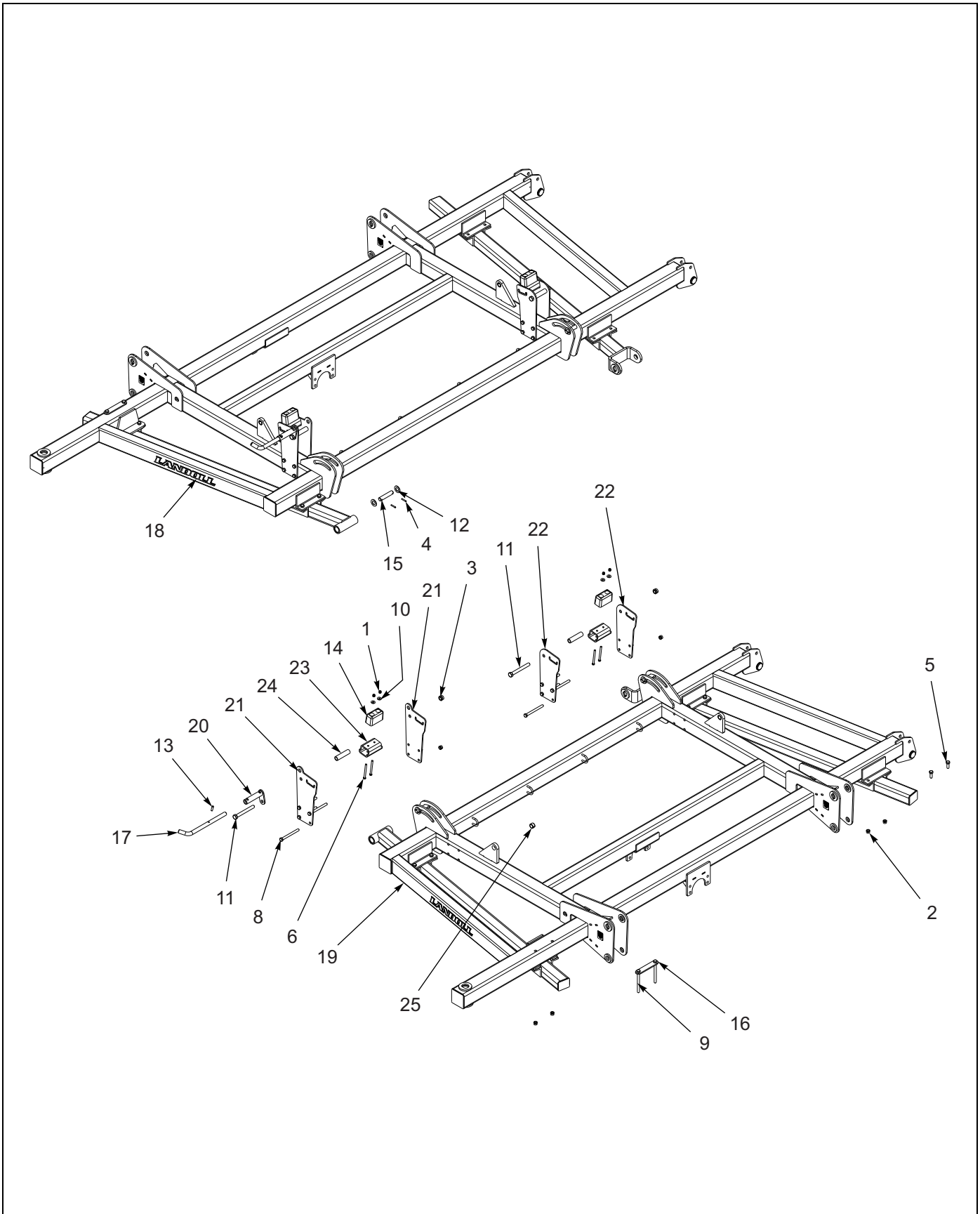


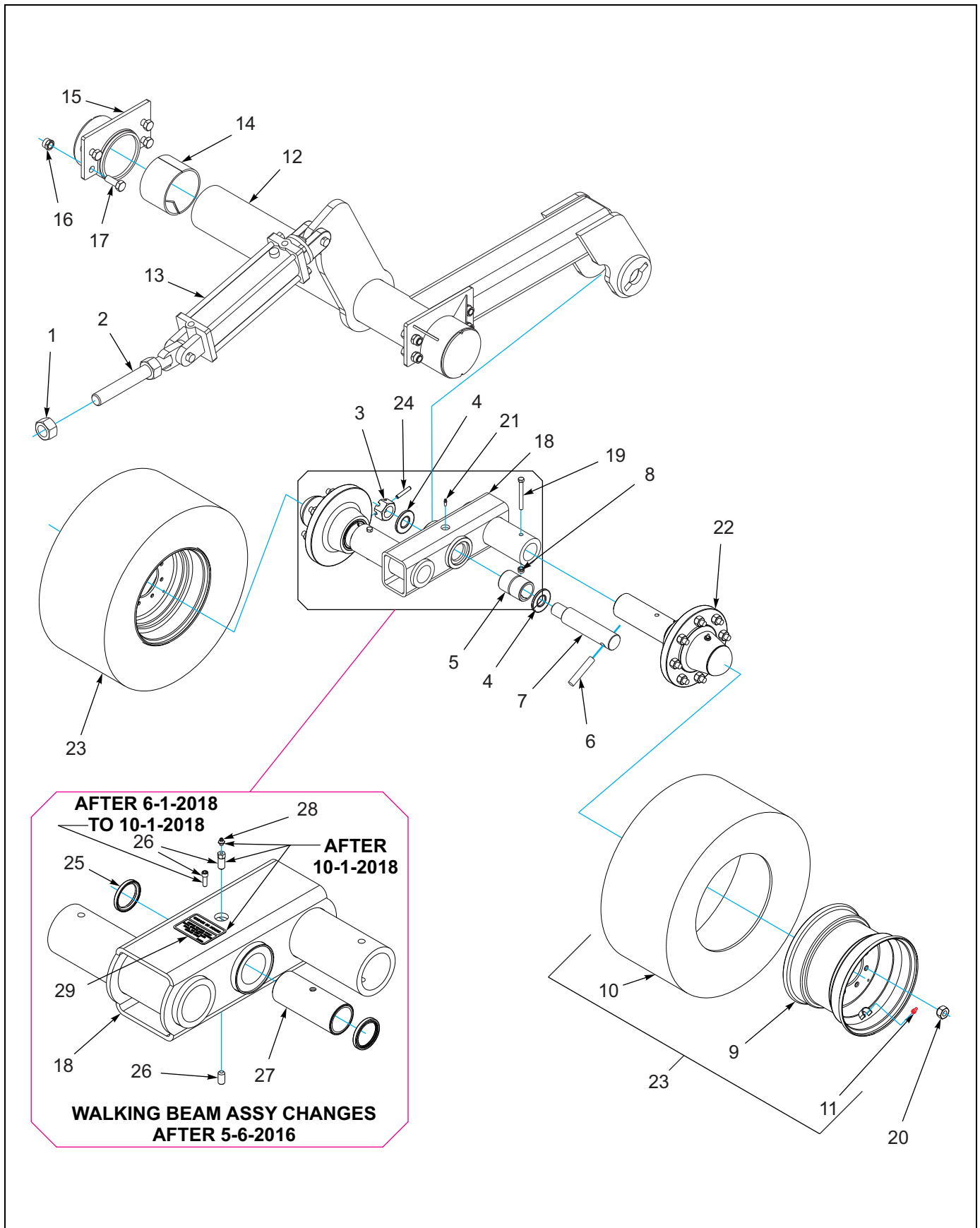
Figure 2-8: Inner Wing Frame and Stabilizer Assembly



## INNER WING FRAME AND STABILIZER ASSEMBLY

ITEM	PART NO.	DESCRIPTION	QTY.
	161679	FRAME, RIGHT INNER WING ASSEMBLY (39')	
	161683	FRAME, RIGHT INNER WING ASSEMBLY (44')	
	161687	FRAME, RIGHT INNER WING ASSEMBLY (49')	
	161680	FRAME, LEFT INNER WING ASSEMBLY (39')	
	161684	FRAME, LEFT INNER WING ASSEMBLY (44')	
	161688	FRAME, LEFT INNER WING ASSEMBLY (49')	
1	1-512-010005-09	NUT, HEX LOCK 1/2-13 GRB	8
2	1-512-010005-15	NUT, HEX LOCK 3/4-10 GRB	8
3	1-512-010005-19	NUT, HEX LOCK 1-8 GRB	
4	1-647-010004240	PIN, SPRING SLOTTED 5/16 X 2-1/2	
5	1-654-010032-05	SCREW, HEX HEAD CAP 3/4-10 X 2 GR8	
6	1-654-010055-11	SCREW, HEX HEAD CAP 1/2-13 X 3-1/2 GR5	
7	163644	WING LOCK ASSEMBLY (INCL. ITEMS 13, 17, AND 20)	2
8	1-654-010061-21	SCREW, HEX HEAD CAP 3/4-10 X 8 GR5	
9	1-654-010061-22	SCREW, HEX HEAD CAP 3/4-10 X 8-1/2 GR5	
10	1-861-010032-15	WASHER, FLAT 1/2W	
11	114616	SCREW, HEX HEAD CAP 1-8 X 8-1/2 GR5	4
12	116100	WASHER, FLAT 1-1/4N	1
13	127351	PIN, SPRING SLOTTED 1/2 X 2	2
14	128874	BUMPER, RUBBER 6 X 3 X 3-1/2	4
15	141244	PIN, FOLD	1
16	158850	PLATE, CLAMP	2
17	160656	PIN, WING LOCK	2
18	161664	FRAME RIGHT INNER WING (39')	1
18	161668	FRAME RIGHT INNER WING (44')	1
18	161672	FRAME RIGHT INNER WING (49')	1
19	161665	FRAME, LEFT INNER WING (39')	1
19	161669	FRAME, LEFT INNER WING (44')	1
19	161673	FRAME, LEFT INNER WING (49')	1
20	163645	MOUNT LOCK	2
21	163718	MOUNT, WING STABILIZER FRONT	4
22	163719	MOUNT, WING STABILIZER REAR	4
23	164474	MOUNT, WING REST (39')	4
23	166628	MOUNT, WING REST (44')	4
23	166629	MOUNT, WING REST (49')	4
24	164555	SPACER, WING STABILIZER	4
25	2-150-010174	BUSHING, 1-5/8 X 1-1/4 X 1 (44' & 49')	3

**ILLUSTRATED PARTS LIST**



**Figure 2-9: Inner Wing Lift Wheel Assembly**

## INNER WING LIFT WHEEL ASSEMBLY

ITEM	PART NO.	DESCRIPTION	QTY.
	161679	FRAME, RIGHT INNER WING ASSEMBLY (39')	
	161683	FRAME, RIGHT INNER WING ASSEMBLY (44')	
	161687	FRAME, RIGHT INNER WING ASSEMBLY (49')	
	161680	FRAME, LEFT INNER WING ASSEMBLY (39')	
	161684	FRAME, LEFT INNER WING ASSEMBLY (44')	
	161688	FRAME, LEFT INNER WING ASSEMBLY (49')	
1	159954	NUT, HEX 1-3/4 GRB	2
2	164546	ROD, CYLINDER ANCHOR 1-1/4	1
3	119118	NUT, HEX SLOTTED 1-1/2-12	2
4	160597	WASHER, THRUST 2" (4" OD) (BEFORE 01/2013)	4
4	171070	WASHER, THRUST 2" (3-11/16" OD) (AFTER 01/2013)	4
5	158903	BUSHING, SPRING 2-1/2 X 2 X 4-5/8 (BEFORE 5-6-2016)	2
6	156992	PIN, WALKING BEAM SPINDLE	2
7	157019	SPINDLE, WALKING BEAM (40' & ALL BEFORE 7-10-2017)	2
7	207849	SPINDLE, WALKING BEAM-2" (45'/50' AFTER 7-10-2017)	2
8	101988	NUT, HEX LOCK 7/16-14 GRB (BEFORE 7-10-2017)	4
8	1-512-010005-09	NUT,HEX,SLFLKG, 1/2-13 GRB (AFTER 7-10-2017)	4
9	140548	WHEEL, 15 X 10 LB 8 BOLT (184708)	4
9	157001	WHEEL, 8 BOLT 16.5 X 12, NEGATIVE 1/2" OFFSET (157000/215351)	4
10	204385	FIRESTONE RADIAL 320/70R15 (184708)	4
10	157002	TIRE, 32/1550 X 16.5 SL, (GALAXY) (7450-44/49 AFTER 6-15-2016 TO 12-1-2018) (157000)	4
10	215352	TIRE, VF410/50R16.5 (AFTER 12-1-2018)	4
11	415	VALVE STEM, TUBELESS TIRE (187408)	4
11	TR575	VALVE STEM, TUBELESS TIRE (157000/215351)	4
12	162729	LIFT, WING LEFT (44' & 49' BEFORE 6-15-2016) (ALL 39' MODELS)	1
12	178969	LIFT WLDMT WING LEFT (44' & 49' AFTER 6-15-2016 TO 7-10-2017)	1
12	162728	LIFT, WING RIGHT (44' & 49' BEFORE 6-15-2016) (ALL 39' MODELS)	1
12	178968	LIFT, WING RIGHT (44' & 49' AFTER 6-15-2016 TO 7-10-2017)	1
12	207876	LIFT, WING RIGHT (44' & 49' AFTER 7-10-2017)	1
12	207877	LIFT, WING LEFT (44' & 49' AFTER 7-10-2017)	1
13	146825	CYLINDER, 4X16, REPHASE (SEE PAGE 2-89)	1
14	140519	BEARING, UHMW 4"	4
15	141209	BEARING CAP, LIFT	4
16	1-512-010005-15	NUT, HEX LOCK 3/4-10 GRB	16
17	1-654-010061-05	SCREW, HEX HEAD CAP 3/4-10 X 2 GR5	16
18	172962	WALKING BEAM ASSY, 2-1/4 (ITEMS 5 & 21) (BEFORE 5-06-2016)	1
18	198342	WALKING BEAM ASSY, 2-1/4 (ITEMS 25-27) (AFTER 5-06-2016 TO 7-10-2017) (WILL ALSO REPLACE 172962)	1
18	198344	WALKING BEAM ASSY, 3" (ITEMS 25-27) (40' AFTER 7-10-2017)	1
18	204544	WALKING BEAM ASSY, 3" (ITEMS 25-27) (45'/50' AFTER 7-10-2017)	1
19	141809	SCREW, HEX HEAD CAP 7/16-14 X 4 GR5 (BEFORE 7-10-2017)	4
19	1-654-010055-15	SCR, HX CP, 1/2-13UNCX5 GR5 (AFTER 7-10-2017)	4
20	102600	LUG NUT (8 BOLT)	32
21	153804	FITTING, GREASE 1/4-28 STR LONG (BEFORE 1/2013)	2
21	171024	FITTING, GREASE 5/16-24 STR (AFTER 1/2013 TO 5-06-2016)	2
22	147553	8 BOLT HUB ASSY, 2-1/4" SPDL (BEFORE 7-10-2017) (SEE PAGE 2-25)	4
22	156972	HUB & SPINDLE ASSY, 8 BOLT 3" SPDL (AFTER 7-10-2017) (SEE PAGE 2-26)	4

**INNER WING LIFT WHEEL ASSEMBLY**

<b>ITEM</b>	<b>PART NO.</b>	<b>DESCRIPTION</b>	<b>QTY.</b>
23	184708	TTIRE ASSY,320/70R15,8 BOLTWHL (ALL 39' MODELS') (INCL ITEMS 9 140548, 10 204385 & 11 TR575)	4
23	157000	TIRE AND WHEEL ASSY 32/1550 X 16.5 SL (44' & 49' AFTER 6-15-2016 TO 12-1-2018) (INCL ITEMS 9 157001, 10 157002 & 11 TR575)	4
23	215351	TIRE&WHL ASSY, VF410/50R16.5 (AFTER 12-1-2018) (INCLUDES ITEMS 9 147001, 10 215352 & 11 TR575)	4
24	127712	PIN, SPRING SLOTTED 3/8 X 2-1/4	2
25	198322	SEAL, V17, DOUBLE LIP 2"	2
26	200129	SCREW SOCKET HD CAP 5/16-24X1 (BEFORE 6-1-2018)	2
26	15G816ER	SCREW SET SOC HD CPPT.5-13X1 (AFTER 6-1-18 TO 10-1-2018)	1
26	212046	SCREW, SET FOR ZERK (AFTER 10-1-18)	1
27	200310	ASSY, TANDEM PIVOT 2" (4" LONG) (198342 & 198344)	1
27	204548	ASSY, TANDEM PIVOT 2" (6" LONG) (20544)	1
28	1-298-010001-1	ZERK FITTING 1/4 SAE (AFTER 10-1-18)	1
29	215341	DECAL, GREASE WALKER (AFTER 10-1-18)	1



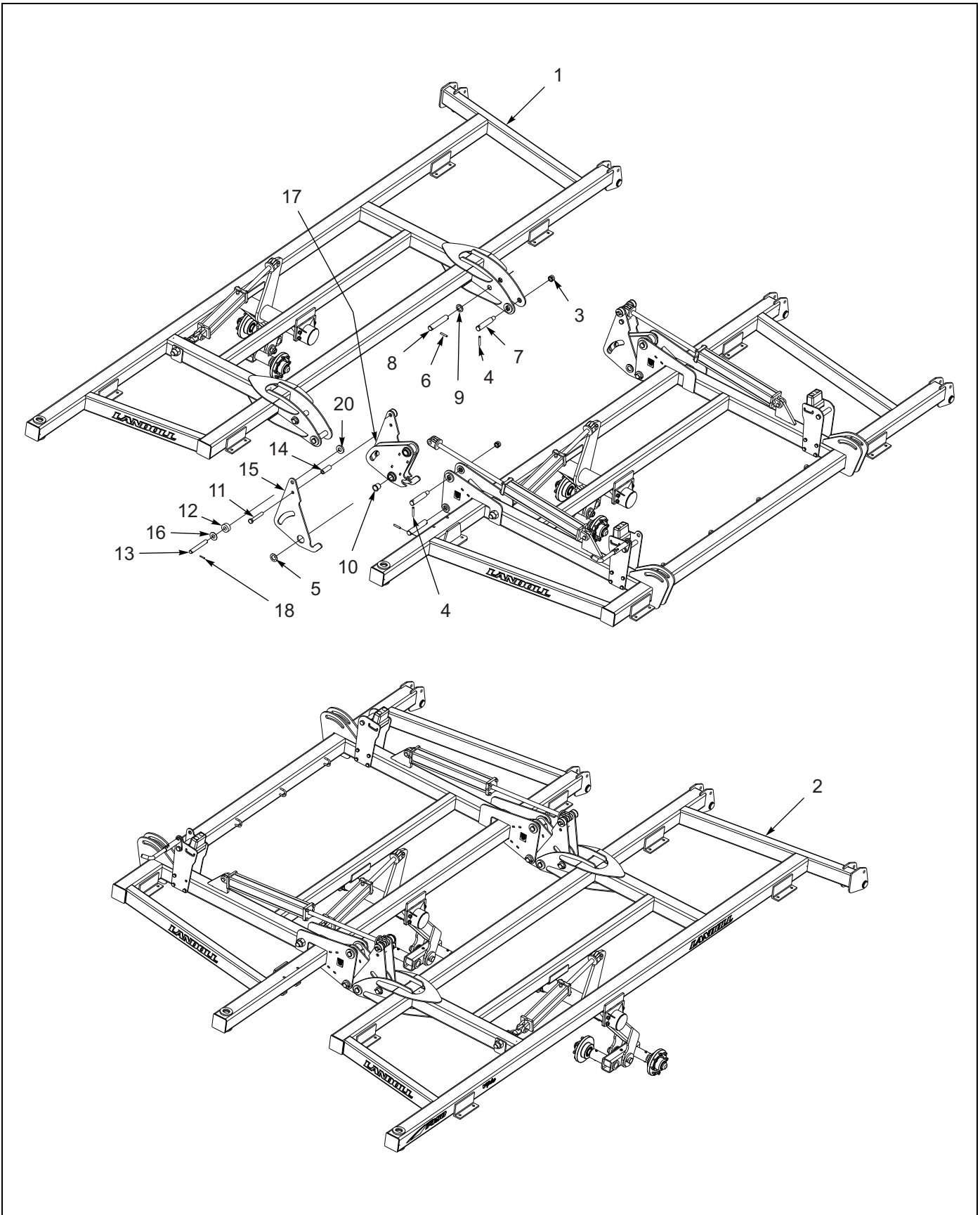
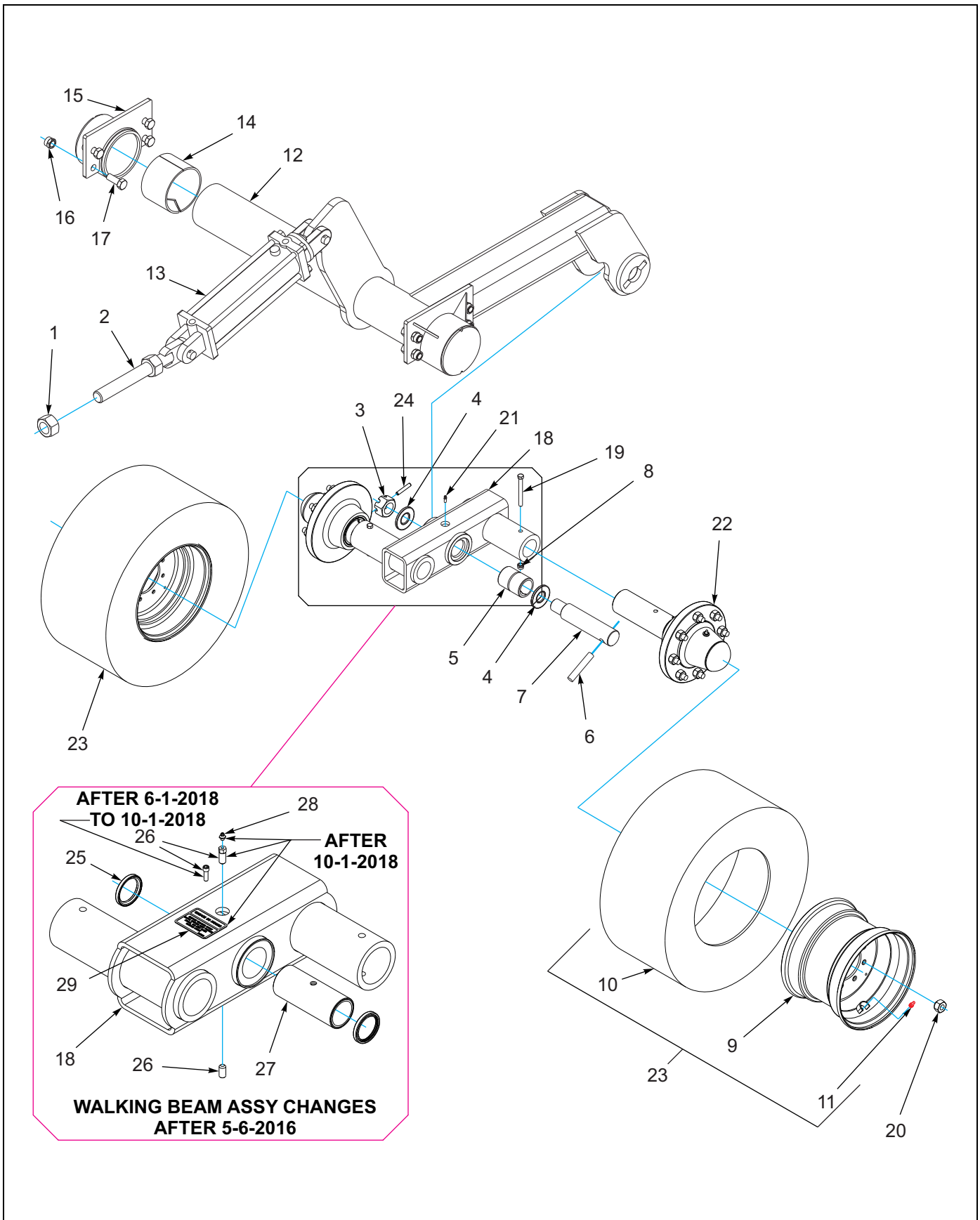


Figure 2-10: Outer Wing Frame and Fold Lock Assembly

## OUTER WING FRAME AND FOLD LOCK ASSEMBLY

ITEM	PART NO.	DESCRIPTION	QTY.
	161681	FRAME, RIGHT OUTER WING ASSEMBLY (39')	
	161685	FRAME, RIGHT OUTER WING ASSEMBLY (44')	
	161689	FRAME, RIGHT OUTER WING ASSEMBLY (49')	
	161682	FRAME, LEFT OUTER WING ASSEMBLY (39')	
	161686	FRAME, LEFT OUTER WING ASSEMBLY (44')	
	161690	FRAME, LEFT OUTER WING ASSEMBLY (49')	
1	161666	FRAME RIGHT OUTER WING (39')	1
1	161670	FRAME RIGHT OUTER WING (44')	1
1	161674	FRAME RIGHT OUTER WING (49')	1
2	161667	FRAME, LEFT OUTER WING (39')	1
2	161671	FRAME, LEFT OUTER WING (44')	1
2	161675	FRAME, LEFT OUTER WING (49')	1
3	101385	NUT, HEX LOCK 1-1/4-7 GRB	4
4	144115	PIN, GROOVED ALLOY 1/2 X 2-1/4	8
5	164539	WASHER, THRUST 1-3/4	8
6	167594	SNAP RING 1-3/4 SHAFT	16
7	164541	PIN, HINGE	8
8	167593	PIN, 1-3/4 W/ SNAP RING	8
9	141154	WASHER, GANG SHAFT	8
10	164533	BEARING, FLANGE 1-3/4	4
11	100829	SCREW, HEX HEAD CAP 1-8 X 6-1/2 GR5	4
12	164564	ROLLER, WING FOLD	8
13	164565	PIN, FOLD	4
14	165295	SPACER, WING FOLD	4
15	164490	LINK, FOLD	8
16	1-861-010032-29	WASHER, FLAT 1-1/4W	8
17	164491	HINGE, DOUBLE	4
18	1-647-010004240	PIN, SPRING SLOTTED 5/16 X 2-1/2	4
19	164540	HINGE ASSEMBLY (INCL. ITEMS 10 & 17)	4
20	173018	SPACER, WING FOLD 1/2"	8

**ILLUSTRATED PARTS LIST**



**Figure 2-11: Outer Wing Lift Wheel Assembly**



## OUTER WING LIFT WHEEL ASSEMBLY

ITEM	PART NO.	DESCRIPTION	QTY.
	161681	FRAME, RIGHT OUTER WING ASSEMBLY (39')	
	161685	FRAME, RIGHT OUTER WING ASSEMBLY (44')	
	161689	FRAME, RIGHT OUTER WING ASSEMBLY (49')	
	161682	FRAME, LEFT OUTER WING ASSEMBLY (39')	
	161686	FRAME, LEFT OUTER WING ASSEMBLY (44')	
	161690	FRAME, LEFT OUTER WING ASSEMBLY (49')	
1	159954	NUT, HEX 1-3/4 GRB	2
2	164546	ROD, CYLINDER ANCHOR 1-1/4	1
3	119118	NUT, HEX SLOTTED 1-1/2-12	2
4	160597	WASHER, THRUST 2" (4" OD) (BEFORE 01/2013)	4
4	171070	WASHER, THRUST 2" (3-11/16" OD) (AFTER 01/2013)	4
5	158903	BUSHING, SPRING 2-1/2 X 2 X 4-5/8 (BEFORE 5-6-2016)	2
6	156992	PIN, WALKING BEAM SPINDLE	2
7	157019	SPINDLE, WALKING BEAM (40' & ALL BEFORE 7-10-2017)	2
7	207849	SPINDLE, WALKING BEAM-2" (45'/50' AFTER 7-10-2017)	2
8	101988	NUT, HEX LOCK 7/16-14 GRB (BEFORE 7-10-2017)	4
8	1-512-010005-09	NUT, HEX, SLFLKG, 1/2-13 GRB (AFTER 7-10-2017)	4
9	140548	WHEEL, 15 X 10 LB 8 BOLT (184708)	4
9	157001	WHEEL, 8 BOLT 16.5 X 12, NEGATIVE 1/2" OFFSET (157000/215351)	4
10	204385	FIRESTONE RADIAL 320/70R15 (184708)	4
10	157002	TIRE, 32/1550 X 16.5 SL, (GALAXY) (7450-44/49 AFTER 6-15-2016 TO 12-1-2018) (157000)	4
10	215352	TIRE, VF410/50R16.5 (AFTER 12-1-2018)	4
11	415	VALVE STEM, TUBELESS TIRE (187408)	4
11	TR575	VALVE STEM, TUBELESS TIRE (157000/215351)	4
12	162729	LIFT, WING LEFT (44' & 49' BEFORE 6-15-2016) (ALL 39' MODELS)	1
12	178969	LIFT WLDMT WING LEFT (44' & 49' AFTER 6-15-2016 TO 7-10-2017)	1
12	162728	LIFT, WING RIGHT (44' & 49' BEFORE 6-15-2016) (ALL 39' MODELS)	1
12	178968	LIFT, WING RIGHT (44' & 49' AFTER 6-15-2016 TO 7-10-2017)	1
12	207876	LIFT, WING RIGHT (44' & 49' AFTER 7-10-2017)	1
12	207877	LIFT, WING LEFT (44' & 49' AFTER 7-10-2017)	1
13	163700	CYLINDER, 3-3/4X16, REPHASE (SEE PAGE 2-93)	1
14	140519	BEARING, UHMW 4"	4
15	141209	BEARING CAP, LIFT	4
16	1-512-010005-15	NUT, HEX LOCK 3/4-10 GRB	16
17	1-654-010061-05	SCREW, HEX HEAD CAP 3/4-10 X 2 GR5	16
18	172962	WALKING BEAM ASSY, 2-1/4 (ITEMS 5 & 21) (BEFORE 5-06-2016)	1
18	198342	WALKING BEAM ASSY, 2-1/4 (ITEMS 25-27) (AFTER 5-06-2016 TO 7-10-2017) (WILL ALSO REPLACE 172962)	1
18	198344	WALKING BEAM ASSY, 3" (ITEMS 25-27) (40' AFTER 7-10-2017)	1
18	204544	WALKING BEAM ASSY, 3" (ITEMS 25-27) (45'/50' AFTER 7-10-2017)	1
19	141809	SCREW, HEX HEAD CAP 7/16-14 X 4 GR5 (BEFORE 7-10-2017)	4
19	1-654-010055-15	SCR, HX CP, 1/2-13UNCX5 GR5 (AFTER 7-10-2017)	4
20	102600	LUG NUT (8 BOLT)	32
21	153804	FITTING, GREASE 1/4-28 STR LONG (BEFORE 1/2013)	2
21	171024	FITTING, GREASE 5/16-24 STR (AFTER 1/2013 TO 5-06-2016)	2
22	147553	8 BOLT HUB ASSY, 2-1/4" SPDL (BEFORE 7-10-2017) (SEE PAGE 2-25)	4
22	156972	HUB & SPINDLE ASSY, 8 BOLT 3" SPDL (AFTER 7-10-2017) (SEE PAGE 2-26)	4

**OUTER WING LIFT WHEEL ASSEMBLY**

<b>ITEM</b>	<b>PART NO.</b>	<b>DESCRIPTION</b>	<b>QTY.</b>
23	184708	TTIRE ASSY,320/70R15,8 BOLTWHL (ALL 39' MODELS') (INCL ITEMS 9 140548, 10 204385 & 11 TR575)	4
23	157000	TIRE AND WHEEL ASSY 32/1550 X 16.5 SL (44' & 49' AFTER 6-15-2016 TO 12-1-2018) (INCL ITEMS 9 157001, 10 157002 & 11 TR575)	4
23	215351	TIRE&WHL ASSY, VF410/50R16.5 (AFTER 12-1-2018) (INCLUDES ITEMS 9 147001, 10 215352 & 11 TR575)	4
24	127712	PIN, SPRING SLOTTED 3/8 X 2-1/4	2
25	198322	SEAL, V17, DOUBLE LIP 2"	2
26	200129	SCREW SOCKET HD CAP 5/16-24X1 (BEFORE 6-1-18)	2
26	15G816ER	SCREW SET SOC HD CPPT.5-13X1 (AFTER 6-1-2018 TO 10-1-2018)	1
26	212046	SCREW, SET FOR ZERK (AFTER 10-1-18)	1
27	200310	ASSY, TANDEM PIVOT 2" (4" LONG) (198342 & 198344)	1
27	204548	ASSY, TANDEM PIVOT 2" (6" LONG) (20544)	1
28	1-298-010001-1	ZERK FITTING 1/4 SAE (AFTER 10-1-18)	1
29	215341	DECAL, GREASE WALKER (AFTER 10-1-18)	1

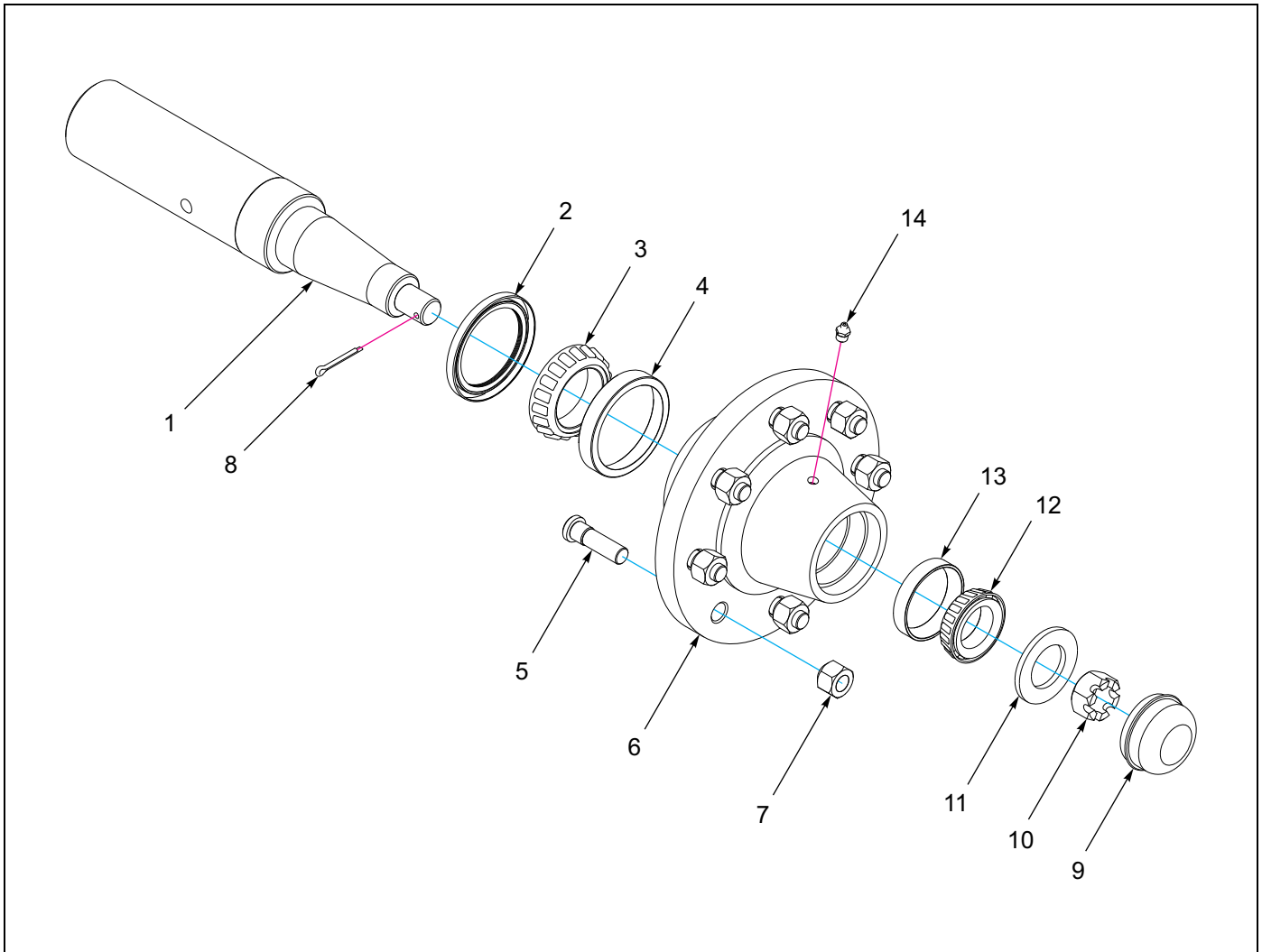


Figure 2-12: Hub and Spindle Assembly - 8 Bolt "2-1/4"

## HUB AND SPINDLE ASSEMBLY - 8 Bolt (2-1/4")

ITEM	PART NO.	DESCRIPTION	QTY.
	147553	HUB AND SPINDLE ASSEMBLY - 8 BOLT "2-1/4"	
1	141198	SPINDLE, 2-1/4"	1
2	140554	SEAL, GREASE	1
3	140595	CONE, BEARING	1
4	140594	CUP, INNER BEARING	1
5	143067	STUD BOLT	1
6	140646	HUB W/ CUPS, 8 BOLT	1
7	210606	NUT, WHEEL, 9/16 - 18 UNF	8
8	1-557-010362-51	COTTER PIN, 3/16 X 1-1/2	1
9	141236	DUST CAP, WHEEL HUB	1
10	1-516-010001-20	NUT, SLDT HEX, 1-14 UNS	1
11	141238	WASHER, SPINDLE	1
12	1-076-010007	CONE, OUTER BEARING	1
13	1-076-010010	CUP, OUTER BEARING	1
14	5000	ZERK	1

## ILLUSTRATED PARTS LIST

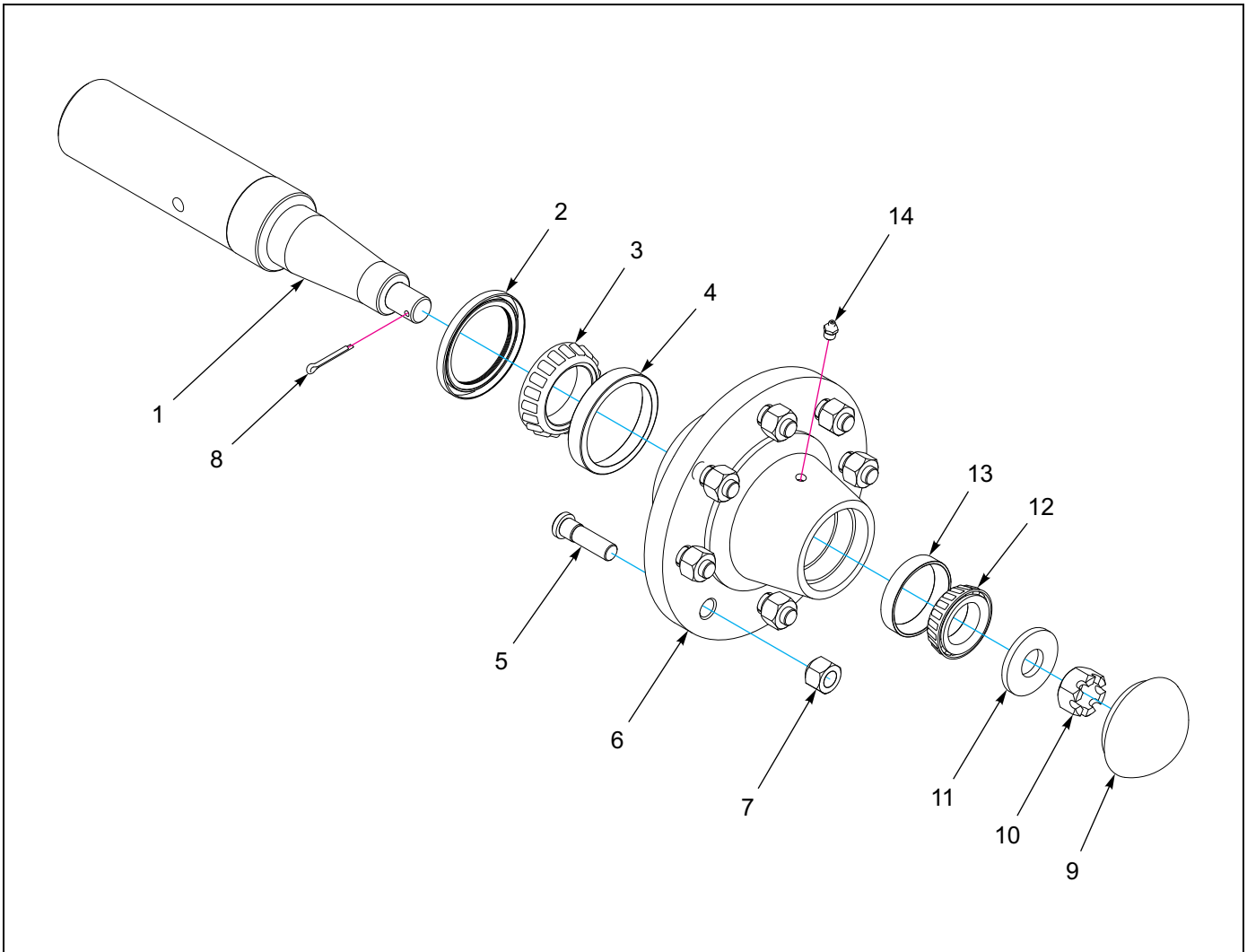


Figure 2-13: Hub and Spindle Assembly

### HUB AND SPINDLE ASSEMBLY - 8 BOLT (3")

ITEM	PART NO.	DESCRIPTION	QTY.
	156972	HUB AND SPINDLE ASSEMBLY - 8 BOLT, 3"	
1	156973	SPINDLE, 3 X16-1/2	1
2	159970	SEAL, TRIPLE LIP, 4OD X 3ID X 3/8	1
3	156979	CONE, BEARING, 387AS	1
4	111962	CUP, INNER BEARING	1
5	4001060	STUD BOLT, 5/8 X 2-1/2	1
6	156974	HUB W/ CUPS, 8 BOLT	1
7	102600	NUT, WHEEL BOLT, 5/8-18	8
8	1-557-010362-51	COTTER PIN, 3/16 X 1-1/2	1
9	102601	HUBCAP, 8-BOLT HUB	1
10	1-516-010001-20	NUT, SLDT HEX, 1-14 UNS	1
11	1-816-010005	WASHER, SPINDLE	1
12	102498	CONE, BORE BEARING OUTER 1.625	1
13	102604	CUP, OUTER BEARING	1
14	5000	ZERK	1



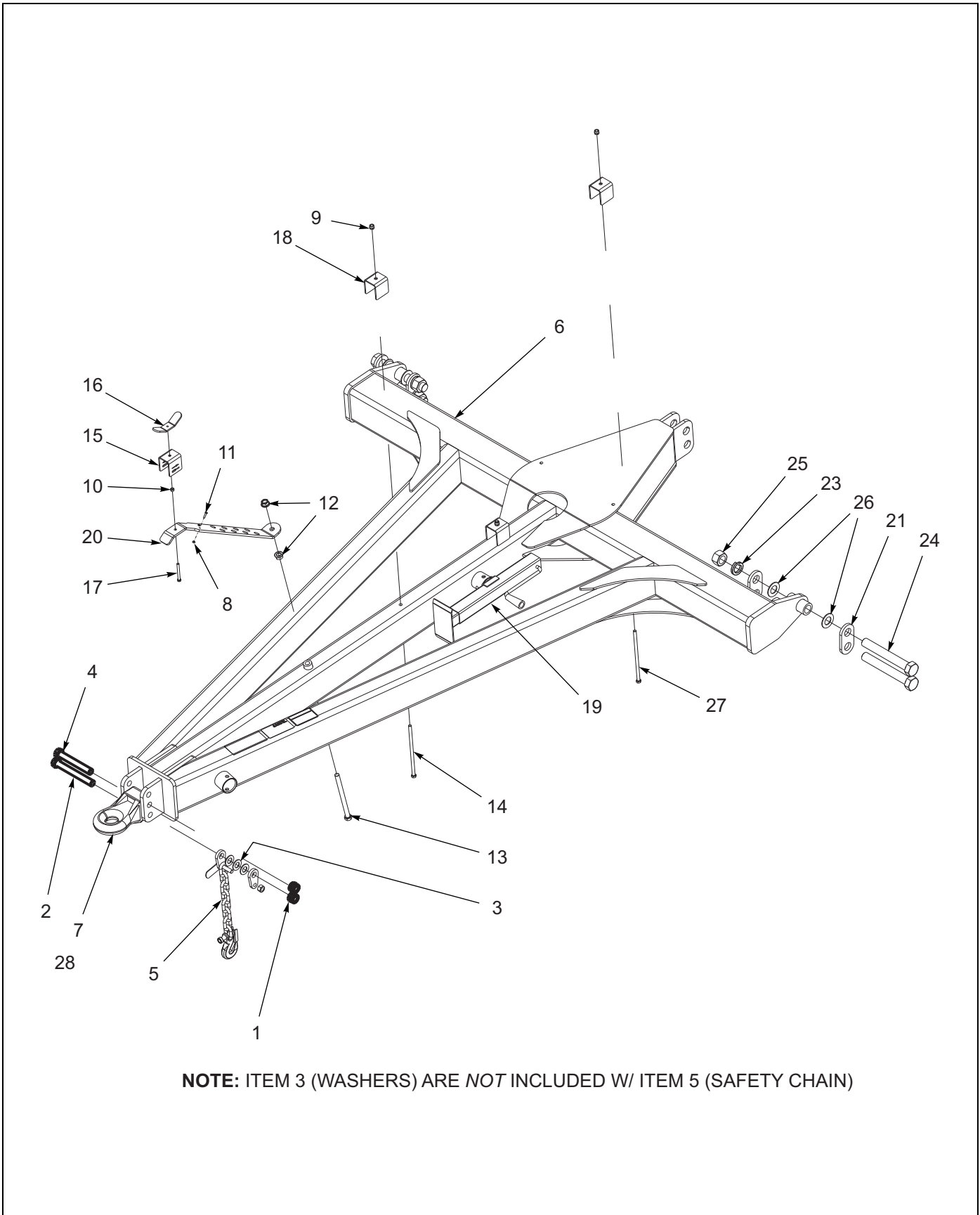


Figure 2-14: Hitch Assembly

## HITCH ASSEMBLY

ITEM	PART NO.	DESCRIPTION	QTY.
	164508	HITCH ASSEMBLY, CAT IV (ITEMS 1 - 7)	
	164509	HITCH ASSEMBLY, CAT V (ITEMS 1 - 7)	
1	1-512-010005-19	NUT, HEX LOCK 1-8 GRB	3
2	1-654-010125-22	SCREW, HEX HEAD CAP 1-8 X 8-1/2 G8	1
3	1-861-010032-24	WASHER FL 1IN NARROW	8
4	153696	BOLT, HITCH CLEVIS	2
5	156950	SAFETY CHAIN, 41,000 LB	1
6	162770	HITCH 98", (S/N 5186 AND BELOW)	1
6	177097	HITCH 116", (S/N 5187 AND ABOVE)	1
7	2-375-010602	HITCH RING CAT IV	1
7	156949	HITCH RING CAT V (NOT SHOWN)	1
8	1-512-010005-01	NUT HEX LOCK 1/4-20 GRB	2
9	1-512-010005-09	NUT, HEX LOCK 1/2-13 GRB	1
10	1-512-010007-07	NUT, HEX 3/8-16	1
11	1-654-010047-06	SCREW, HEX HEAD CAP 1/4-20 X 1 GR5	2
12	103841	NUT, FLANGE PREVAILING TORQUE 3/4-10	2
13	126235	SCREW, HEX HEAD CAP 3/4-10 X 10-1/2 GR5	1
14	131081	SCREW, HEX HEAD CAP 1/2-13 X 11	2
15	141247	CLAMP, HOSE HOLDER	1
16	141249	WING NUT, HOSE HOLDER	1
17	141807	SCREW, ALL THREAD 3/8-16 X 3-1/2	1
18	165266	CLAMP, HOSE HOLDER	2
19	140647	JACK, SIDEWIND 7,000LB (SEE PAGE 2-34)	1
20	141246	BRACKET, HOSE HOLDER	1
21	164543	PLATE, HITCH MOUNT 1-1/2	4
22	1-557-010403	HAIRPIN 1/8	1
23	1-1/2SLW	WASHER, SPLIT LOCK 1-1/2	2
24	1-654-010076-26	SCREW HEX HEAD CAP 1-1/2-6 X 11 GR8	4
25	102351	NUT, HEX 1-1/2-6 GR2	2
26	141266	WASHER, THRUST 1-1/2	4
27	167638	SCREW, HEX HEAD CAP 1/2-13 X 12 GR5	1
28	189451	HITCH, BALL CAT IV, 3-HOLE (SEE PAGE 2-30)	1

# ILLUSTRATED PARTS LIST

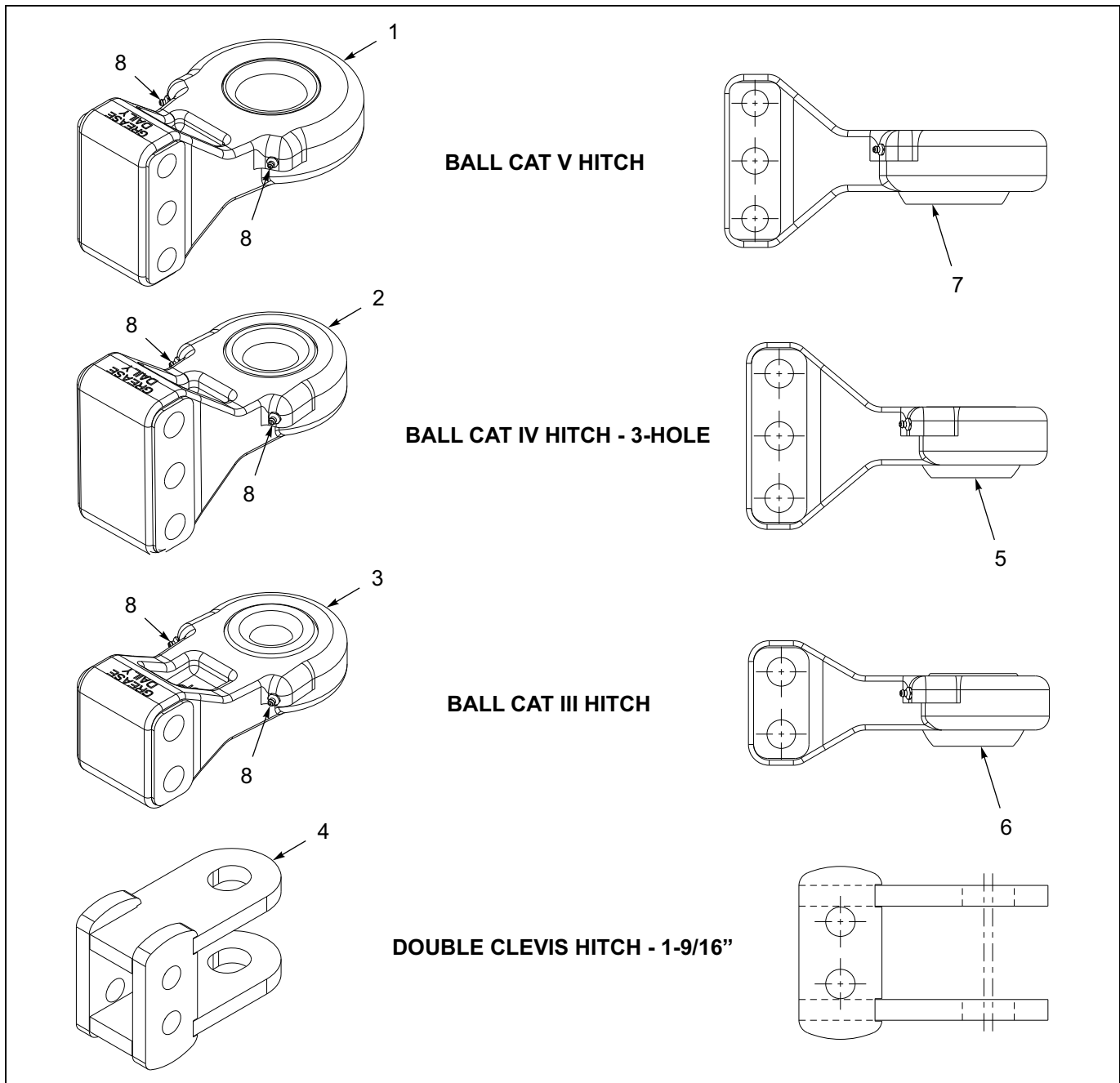


Figure 2-15: Hitch Assemblies

## HITCH ASSEMBLIES

ITEM	PART NO.	DESCRIPTION	QTY.
1	177032	HITCH, BALL V	1
2	189451	HITCH, BALL CAT IV, 3-HOLE	1
3	177030	HITCH, BALL CAT III	1
4	161550	HITCH CLEVIS, DOUBLE 1-9/16"	1
5	189454	BUSHING, SPHERICAL, 2" ID	1
6	189453	BUSHING, SPHERICAL, 1-1/2" ID	1
7	189468	BUSHING, SPHERICAL, 2-3/4" ID	1
8	1-298-010001-01	ZERK	1





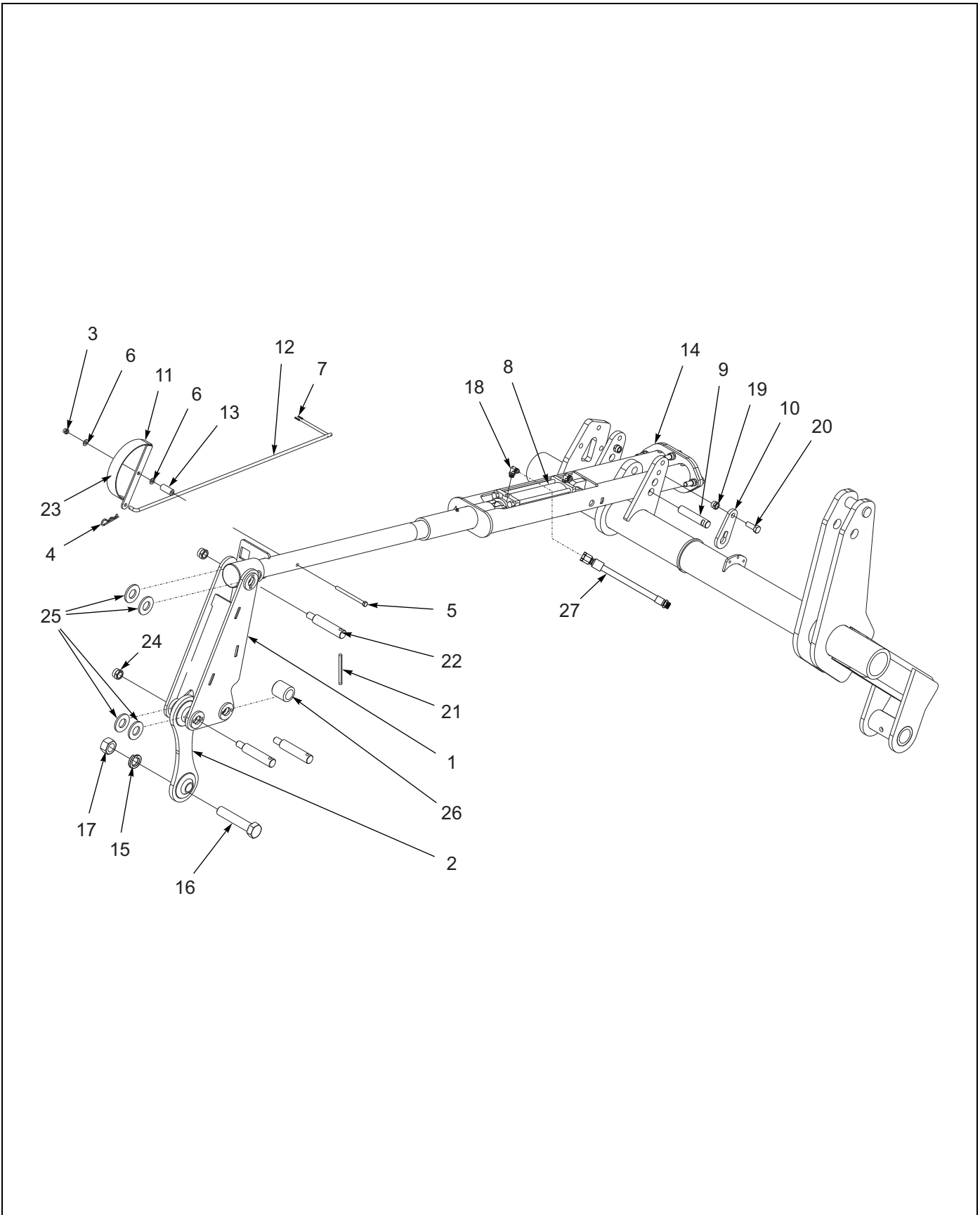


Figure 2-16: Leveling Linkage Assembly

## LEVELING LINKAGE ASSEMBLY

ITEM	PART NO.	DESCRIPTION	QTY.
1	163690	LEVELER TOWER, (S/N 5186 AND BELOW)	1
1	180043	LEVELER TOWER, (S/N 5187 AND ABOVE)	1
2	163716	LINK, LEVELER BALL JOINT	1
3	1-512-010005-09	NUT, HEX LOCK 1/2-13 GRB	1
4	1-557-010403	HAIRPIN 1/8	1
5	1-654-010055-18	SCREW, HEX HEAD CAP 1/2-13 X 6-1/2 GR5	1
6	1-861-010032-14	WASHER, FLAT 1/2N	2
7	104597	PIN, SPRING SLOTTED 3/16 X 1	2
8	148387	CYLINDER, HYDRAULIC 4 X 8 (SEE PAGE 2-86)	REF
9	163705	PIN, LEVELER	2
10	164544	KEEPER, LEVELER PIN	2
11	166705	GAUGE, LEVEL INDICATOR	1
12	166707	ROD, LEVEL INDICATOR	1
13	166710	SPACER, LEVELER	1
14	163685	LEVELER ASSEMBLY (SEE PAGE 2-35)	1
15	1-1/2SLW	WASHER, SPLIT LOCK 1-1/2	1
16	1-654-010068-17	SCREW, HEX HEAD CAP 1-1/2-6 X 6 GR8	1
17	102351	NUT, HEX 1-1/2-6 GR2	1
18	141827	ELBOW, 90 W/ 1/32 RESTRICTOR	2
19	1-512-010005-15	NUT, HEX LOCK 3/4-10 GRB	2
20	100941	SCREW, HEX HEAD CAP 3/4-10 X 2-1/4 GR8	2
21	144115	PIN, GROOVED ALLOY 1/2 X 2-1/4	3
22	144493	PIN, HITCH	3
23	141263	DECAL, LEVEL INDICATOR	1
24	1-512-010005-19	NUT, HEX LOCK 1-8 GRB	3
25	1-861-010032-32	WASHER, FLAT 1-1/2	4
26	167645	SPACER, LEVELER	1
27	176998	HOSE ASSEMBLY 3/8 X 312	2

## ILLUSTRATED PARTS LIST

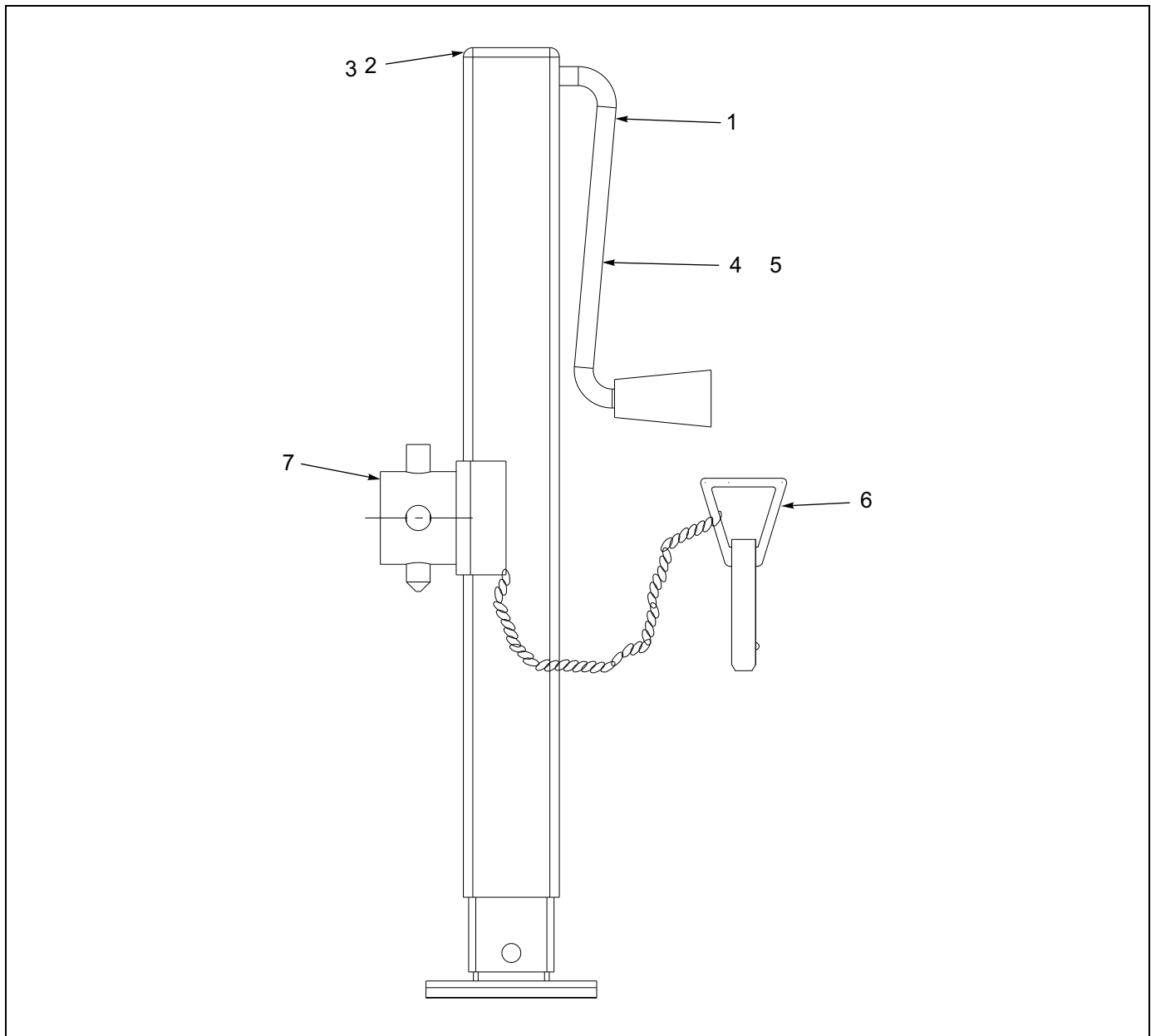


Figure 2-17: 7,000 Lb. Sidewind Jack Assembly

### 7,000 LB. SIDEWIND JACK ASSEMBLY

ITEM	PART NO.	DESCRIPTION	QTY.
	140647	JACK, SIDEWIND 7000LB	
1	142189	9" HANDLE KIT (USED WITH NORTHFIELD JACK)	1
1	500171	9" HANDLE KIT (USED WITH BULLDOG JACK)	1
2	142190	GEAR KIT (USED WITH NORTHFIELD JACK)	1
3	142191	BEARING KIT (USED WITH NORTHFIELD JACK)	1
4	142192	BLACK HANDLE (USED WITH NORTHFIELD JACK)	1
5	142193	RETAINING CLIP (USED WITH NORTHFIELD JACK)	1
6	142194	5/8" PIN AND CHAIN - L (USED WITH NORTHFIELD JACK)	1
6	2-557-010426	PIN, DETENT 5/8 DIA W/CHAIN (USED WITH BULLDOG JACK)	1
7	142195	5/8" FEMALE WELD-ON MOUNT (USED WITH NORTHFIELD JACK)	1

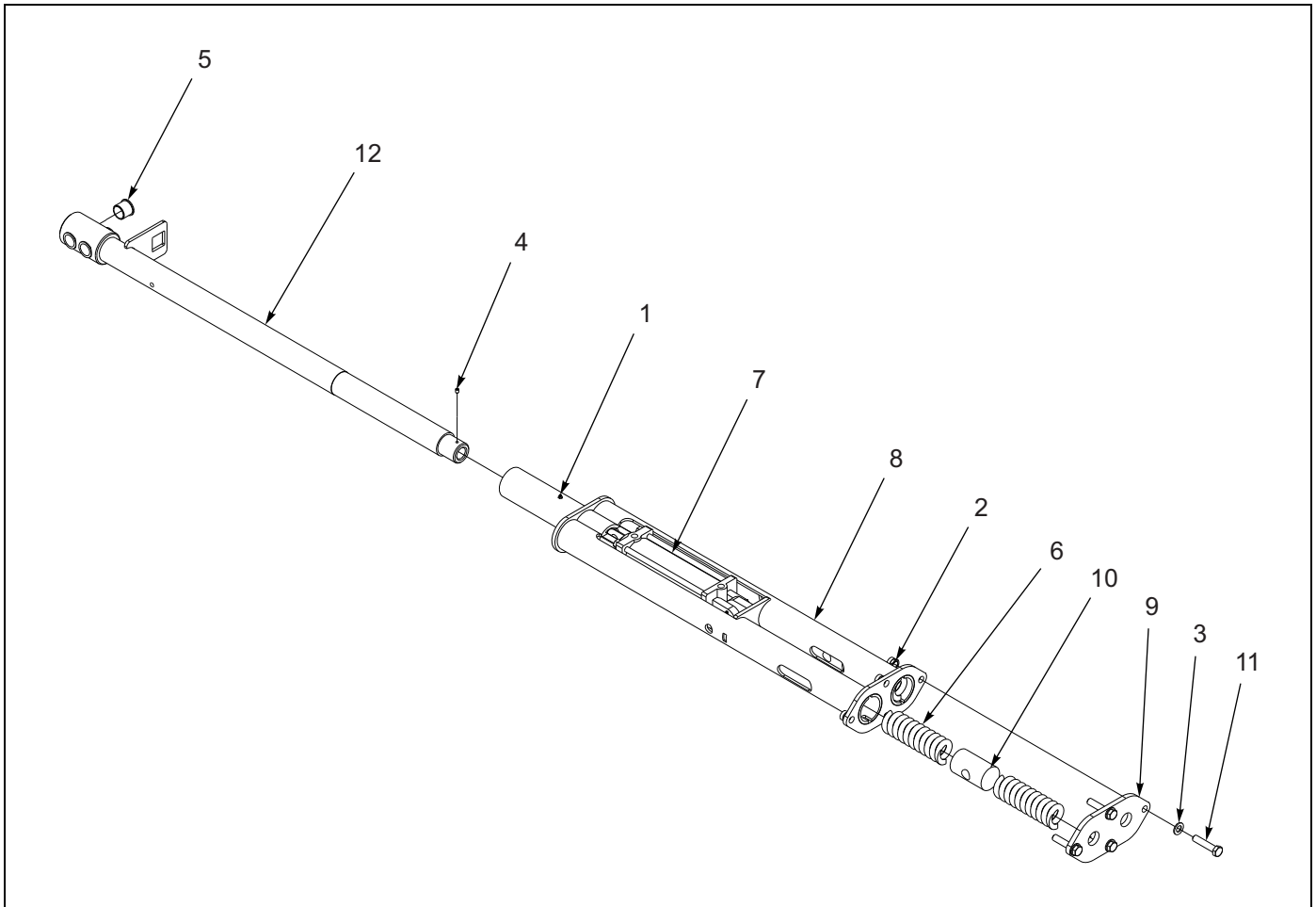


Figure 2-18: Leveler Assembly

**LEVELER ASSEMBLY**

ITEM	PART NO.	DESCRIPTION	QTY.
	163685	LEVELER ASSEMBLY	
1	1-298-010001-1	ZERK FITTING 1/4	1
2	1-512-010005-15	NUT, HEX LOCK 3/4-10 GRB	4
3	1-861-010032-20	WASHER, FLAT 3/4 N	4
4	122709	SCREW, SET HEX SOCKET CUP PT 3/8-16 X 1/2	1
5	140599	BEARING, FLANGE 1-1/2	4
6	140649	SPRING, LEVELER	4
7	148387	CYLINDER, HYDRAULIC 4 X 8 (SEE PAGE 2-86)	1
8	163672	BASE, LEVELER	1
9	163679	CAP, LEVELER SPRINGS	1
10	164545	LEVELER CROSS	2
11	165288	BOLT, LEVELER 3/4-10 X 3-1/2 GR8	4
12	166701	TUBE LEVELER ASSEMBLY	1

## ILLUSTRATED PARTS LIST

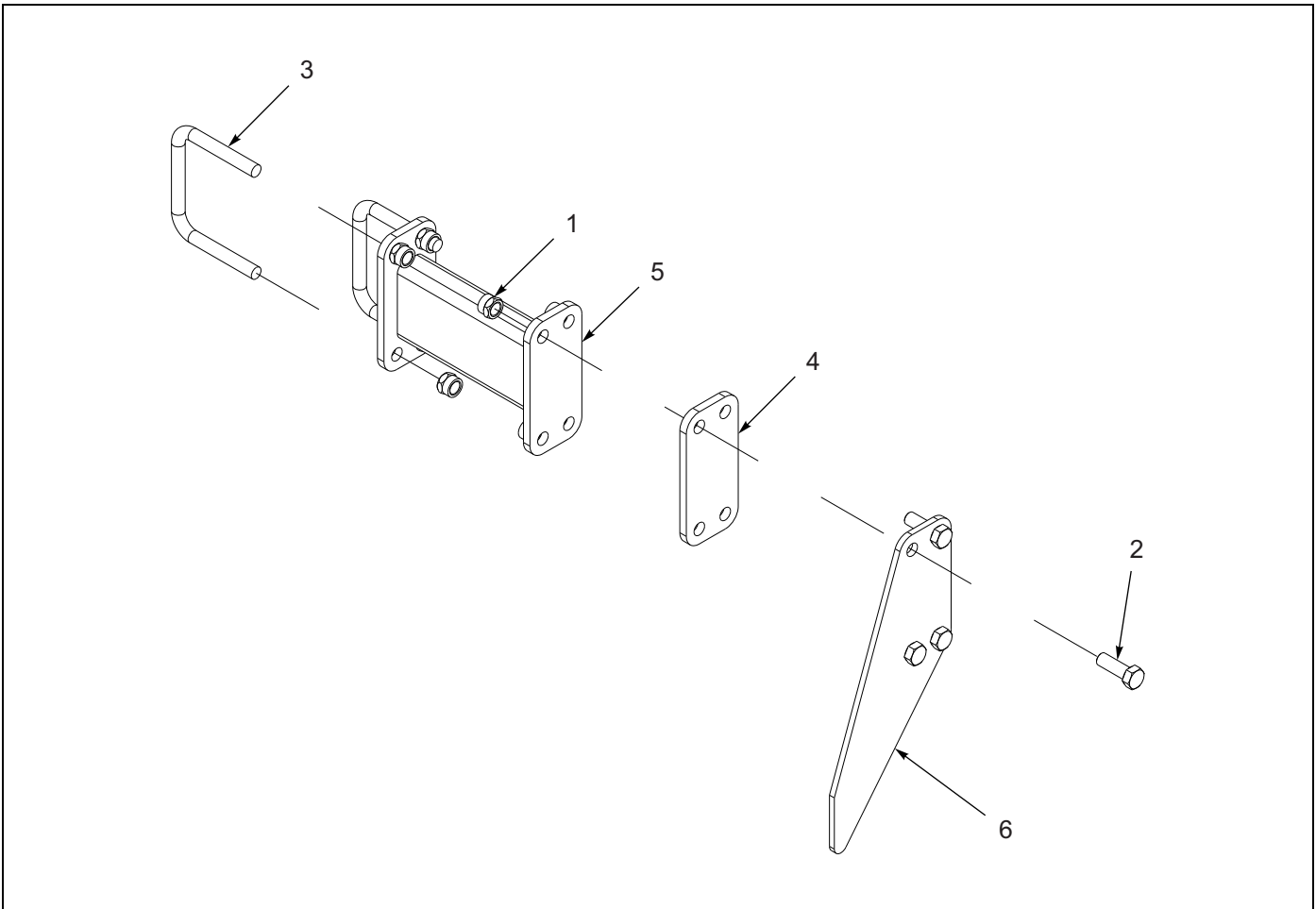


Figure 2-19: Dual Tire Scraper Kit Assembly

## DUAL TIRE SCRAPER KIT ASSEMBLY

ITEM	PART NO.	DESCRIPTION	QTY.
	170214	DUAL TIRE SCRAPER KIT ASSEMBLY	
1	1-512-010005-15	NUT, HEX LOCK 3/4-10 GRB	32
2	1-654-010061-04	SCREW, HEX HEAD CAP 3/4-10 X 1-3/4 GR5 (USED WHEN SCRAPER PLATE (ITEM 4) IS NOT USED)	8
2	1-654-010061-06	SCREW, HEX HEAD CAP 3/4-10 X 2-1/4 GR5 (USED WHEN SCRAPER PLATE (ITEM 4) IS USED)	8
3	111392	U-BOLT, GAUGE WHEEL	8
4	170209P	PLATE, SCRAPER (USED ON OUTER TIRES ONLY)	2
5	170212	MOUNT, SCRAPER	4
6	170213	SCRAPER, DUAL TIRE	4

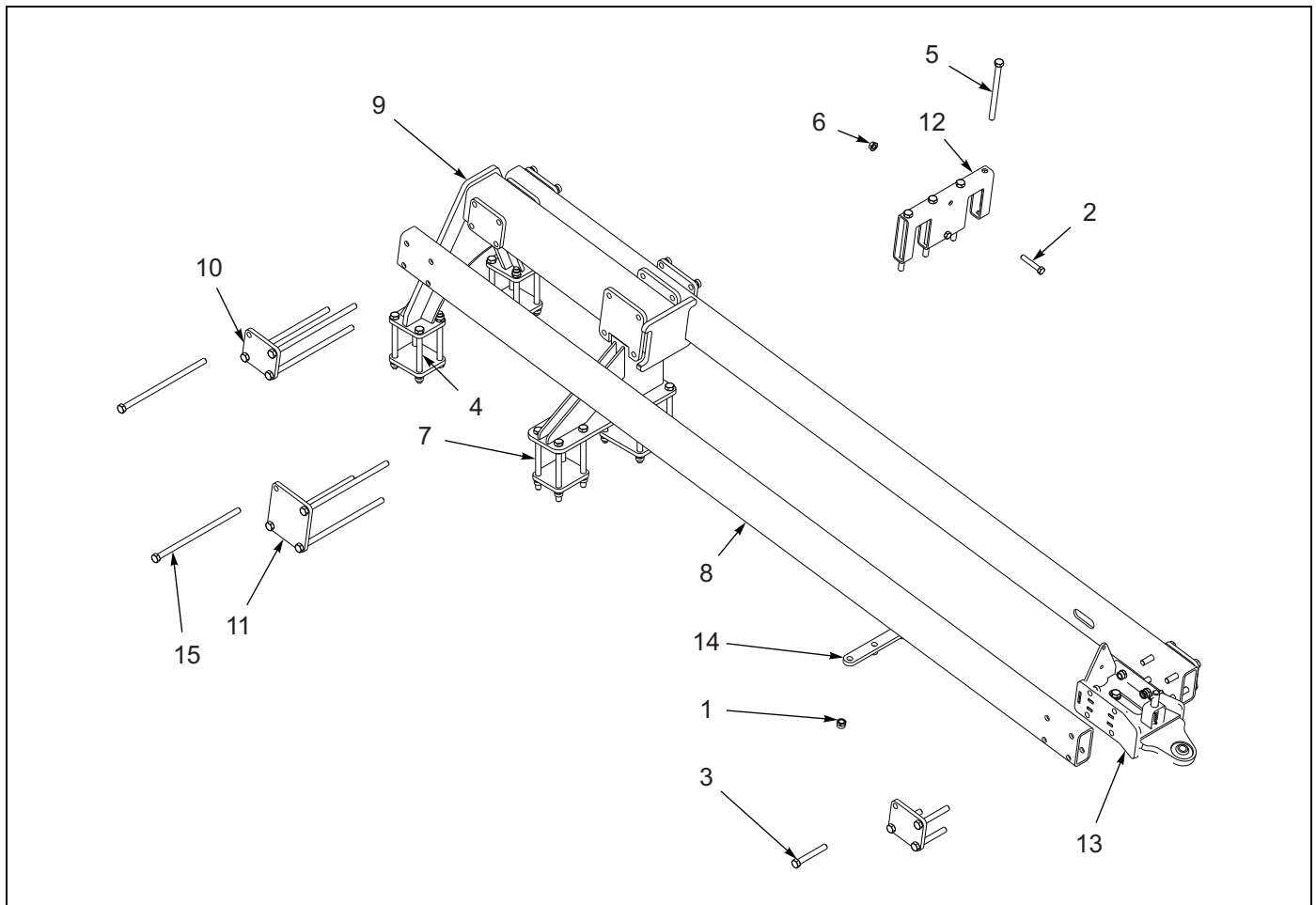


Figure 2-20: Rear Tow Hitch Assembly

## REAR TOW HITCH ASSEMBLY

ITEM	PART NO.	DESCRIPTION	QTY.
	167603	HITCH ASSEMBLY, REAR TOW	
1	1-512-010005-15	NUT HEX LOCK 3/4-10 GRB	36
2	1-654-010059-11	SCREW, HEX HEAD CAP 5/8-11 X 3-1/2 GR5	2
3	1-654-010061-16	SCREW, HEX HEAD CAP 3/4-10 X 5-1/2 GR5	8
4	1-654-010061-22	SCREW, HEX HEAD CAP 3/4-10 X 8-1/2 GR5	8
5	1-654-010061-25	SCREW, HEX HEAD CAP 3/4-10 X 10 GR5	4
6	100827	NUT, FLANGE HEAD SERRATED 5/8-11	2
7	104436	SCREW, HEX HEAD CAP 3/4-10 X 9-1/2 GR5	8
8	167605	TUBE, HITCH	2
9	167609	HITCH, REAR TOW	1
10	167612P	PLATE, HITCH	7
11	167624P	PLATE, MOUNT	3
12	167630	BRACE, HITCH	1
13	167632	REAR TOW ASSEMBLY (SEE PAGE 2-38)	1
14	167633	PLATE, DOUBLER	1
15	167637	SCREW, HEX HEAD CAP 3/4-10 X 16 GR5	8

## ILLUSTRATED PARTS LIST

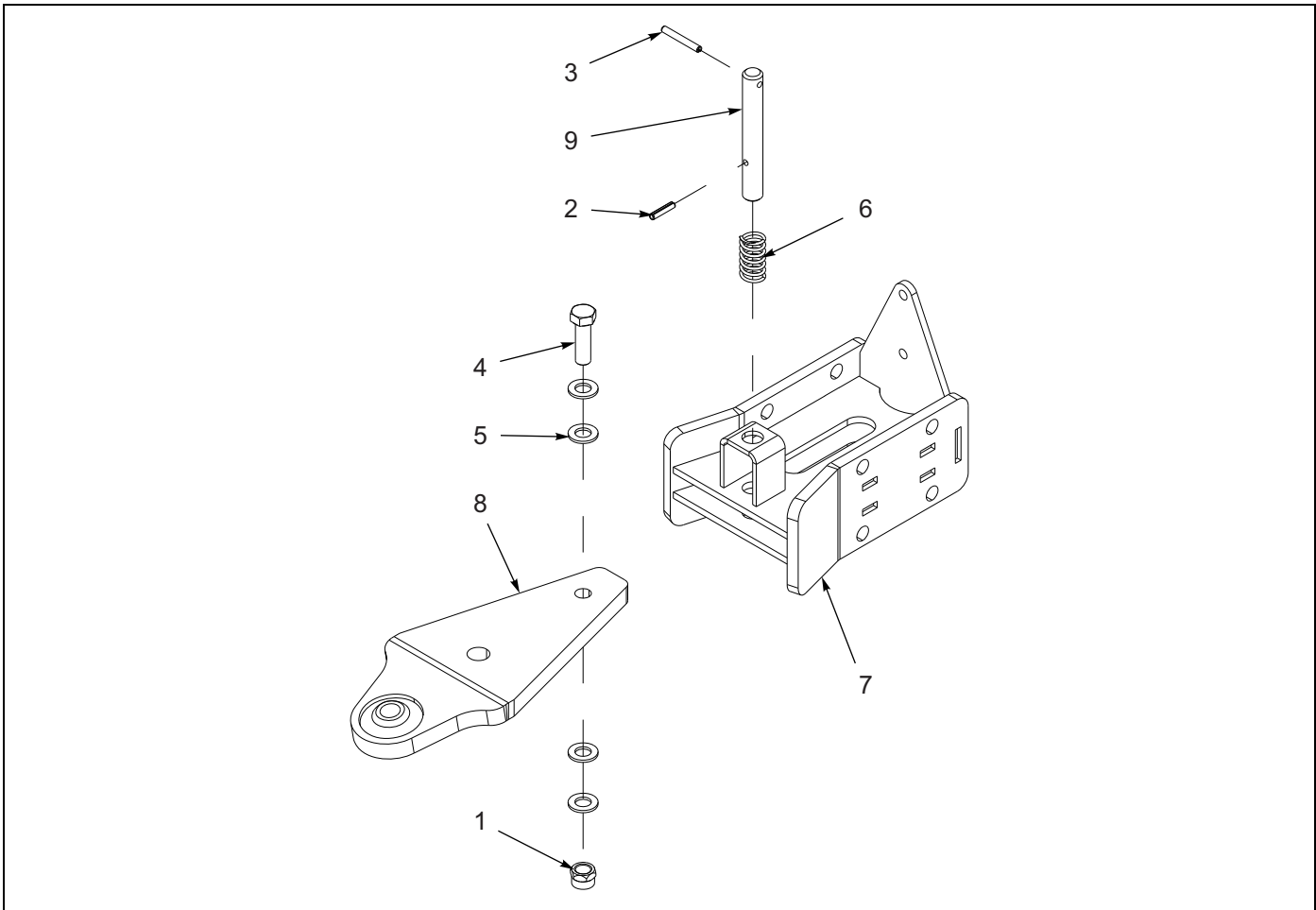


Figure 2-21: Rear Tow Hitch Assembly

## REAR TOW ASSEMBLY

ITEM	PART NO.	DESCRIPTION	QTY.
	167632	REAR TOW ASSEMBLY	
1	1-512-010005-15	NUT HEX LOCK 3/4-10 GRB	36
2	1-647-010004236	SPRING PIN, SLOTTED 5/16 X 1-1/2	22
3	1-647-010004240	PIN, SPRING SLOTTED 5/16 X 2-1/2	4
4	1-654-010061-07	SCREW, HEX HEAD CAP 3/4-10 X 2-1/2 GR5	18
5	1-861-010032-20	WASHER, FLAT 3/4 N	4
6	162191	SPRING, COMP 1.218 X 2.5	1
7	167628	HITCH, REAR TOW	1
8	168771	HITCH, REAR TOW	1
9	168773	PIN, REAR TOW HITCH	1



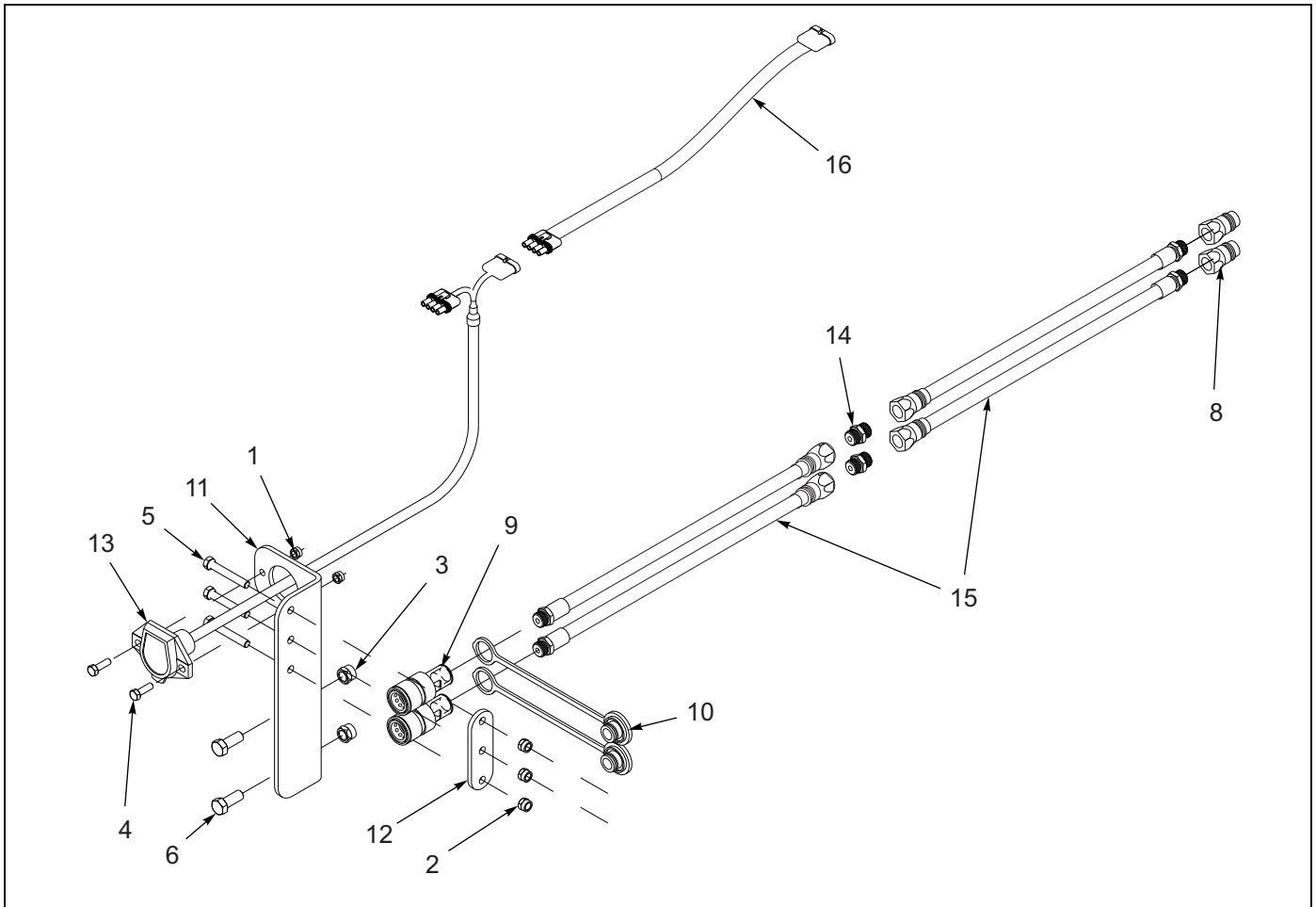


Figure 2-22: Rear Tow Hitch Hydraulic Kit (Option)

## REAR TOW HITCH HYDRAULIC KIT (OPTION)

ITEM	PART NO.	DESCRIPTION	QTY.
	167636	REAR TOW HITCH HYDRAULIC KIT	
1	1-512-010005-03	NUT, HEX LOCK 5/16-18 GRB	2
2	1-512-010005-05	NUT, HEX LOCK 3/8-16 GRB	3
3	1-512-010005-09	NUT, HEX LOCK 1/2-13 GRB	2
4	1-654-010049-05	SCREW, HEX HEAD CAP 5/16-18 X 1 GR5	2
5	1-654-010051-11	SCREW, HEX HEAD CAP 3/8-16 X 2-1/2 GR5	3
6	1-654-010055-02	SCREW, HEX HEAD CAP 1/2-13 X 1-1/4 GR5	2
7	105874	TIE, STRAP PLASTIC .301 X 21.5 <b>(NOT SHOWN)</b>	6
8	141828	COUPLER, MALE 3/4-16	2
9	142668	COUPLER, FEMALE 3/4-16	2
10	142669	PLUG, COUPLER DUST	2
11	142670	BRACKET, COUPLER MOUNT	1
12	142671	PLATE, COUPLER	1
13	143871	HARNESS, TANDEM ADAPTER	1
14	148338	FITTING, UNION	2
15	158295	HOSE ASSEMBLY 3/8 X 255	4
16	2-368-010273	HARNESS, 34" EXTENSION	2

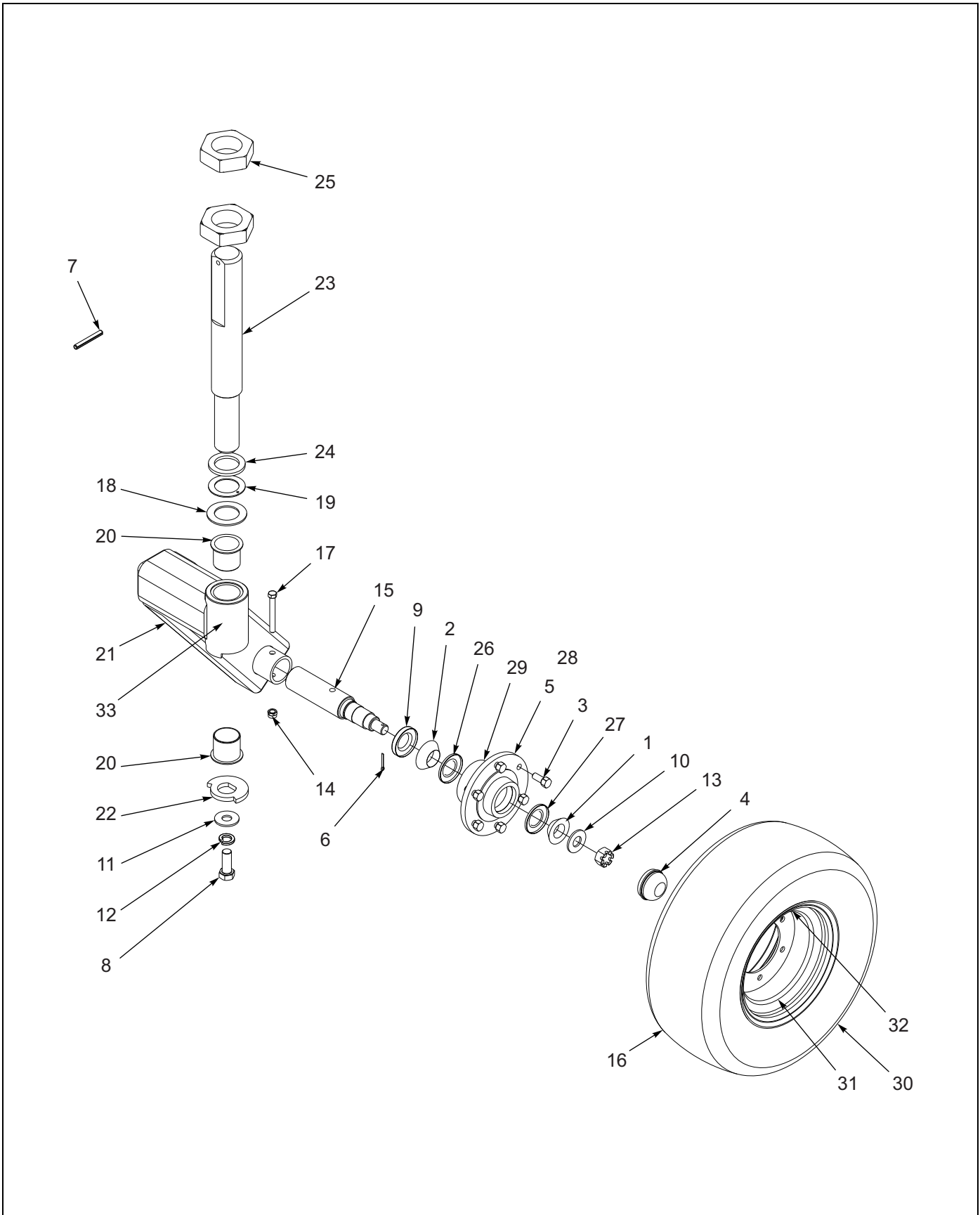


Figure 2-23: Front Gauge Wheel Assembly

## FRONT GAUGE WHEEL ASSEMBLY

ITEM	PART NO.	DESCRIPTION	QTY.
	164475	FRONT GAUGE WHEEL ASSEMBLY	
1	1-076-010007	CONE, INNER	2
2	1-076-010009	CONE, INNER	2
3	1-104-010002	WHEEL BOLT, 1/2 X 1-3/8	6
4	1-161-010003	HUB CAP, 6 BOLT	2
5	1-406-010012	HUB, 6 BOLT W/ CUPS <b>(INCL ITEMS 26-29)</b>	2
6	1-557-010362-40	PIN, COTTER 5/32 X 1-1/4	2
7	1-647-010004259	PIN, SPRING SLOTTED 3/8 X 3	2
8	1-654-010032-05	SCREW, HEX HEAD CAP 3/4-10 X 2 GR8	1
9	1-659-010004	1-5/8 ID GREASE SEAL	2
10	1-861-010004	WASHER, SPINDLE 7/8	2
11	168750	WASHER FLAT 3/4	1
12	1-861-010034-17	WASHER, SPLIT LOCK 3/4	1
13	100966	NUT, HEX SLOTTED 7/8-14	2
14	101988	NUT, HEX LOCK 7/16-14 GRB	2
15	141245	SPINDLE, GAUGE WHEEL	2
16	141271	TIRE AND WHEEL ASSEMBLY, FRONT <b>(INCL ITEMS 30 - 32)</b>	2
17	141808	SCREW, HEX HEAD CAP 7/16-14 X 3-1/2 GR5	2
18	164471	WASHER, THRUST	1
19	164472	WASHER, THRUST	1
20	164473	BEARING, FLANGE	2
21	164477	AXLE, GAUGE WHEEL	1
22	164481	PLATE, STOP	1
23	165296	SPINDLE, GAUGE WHEEL	1
24	165298	WASHER, HEAVY 3 X 2	1
25	166709	NUT, HEX JAM 2-1/2-4 ACME RH	2
26	1-076-010012	INNER CUP	1
27	1-076-010010	OUTER CUP	1
28	2-406-010005	HUB	1
29	1-298-010001-1	ZERK FITTING 1/4	1
30	160151	TIRE, 20.5 X 8 10/8 PLY	1
31	160155	WHEEL, 10 X 6 6 BOLT	1
32	TR416	VALVE STEM	1
33	1-298-010001-1	ZERK	1

# ILLUSTRATED PARTS LIST

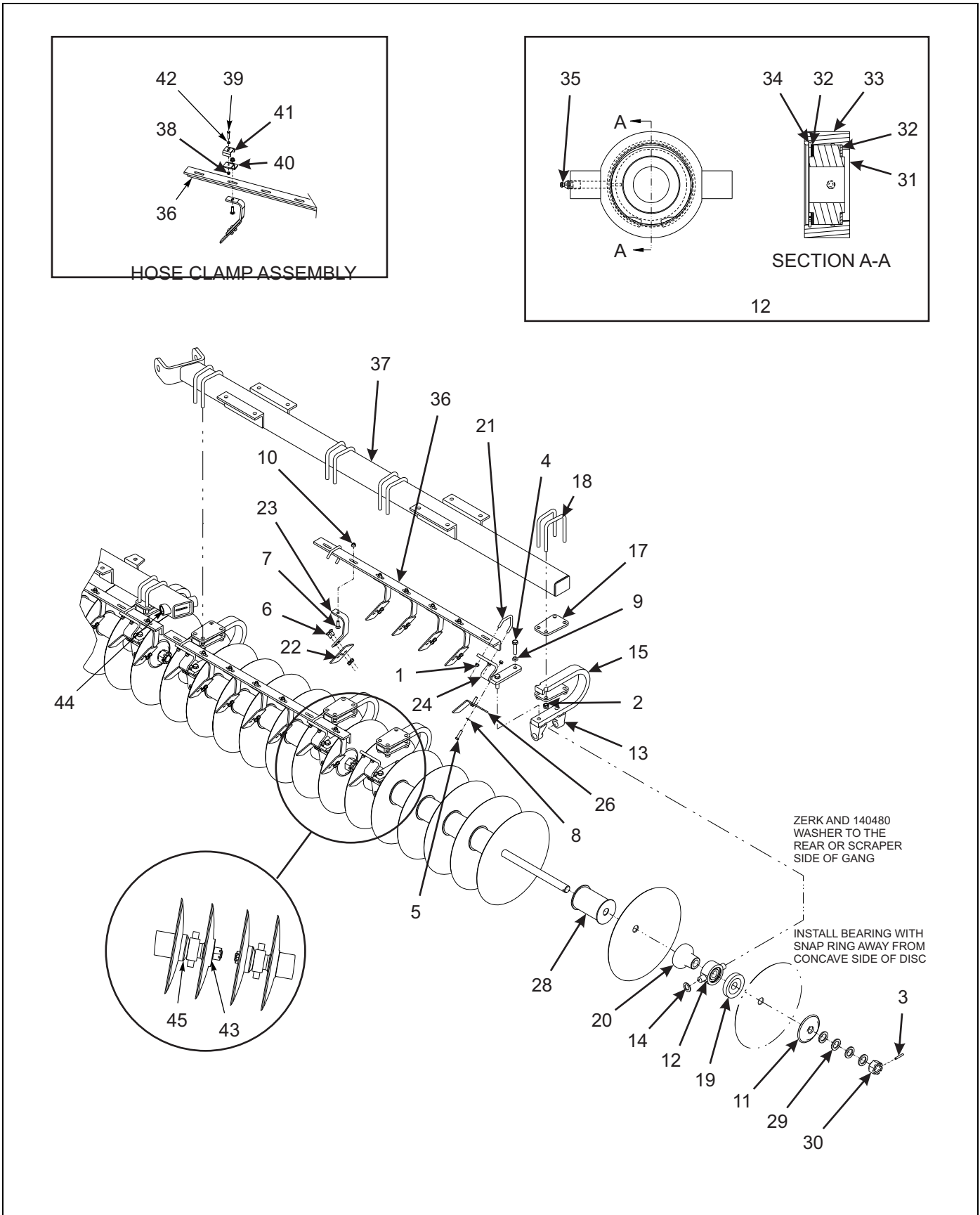


Figure 2-24: Disc Gang Assembly

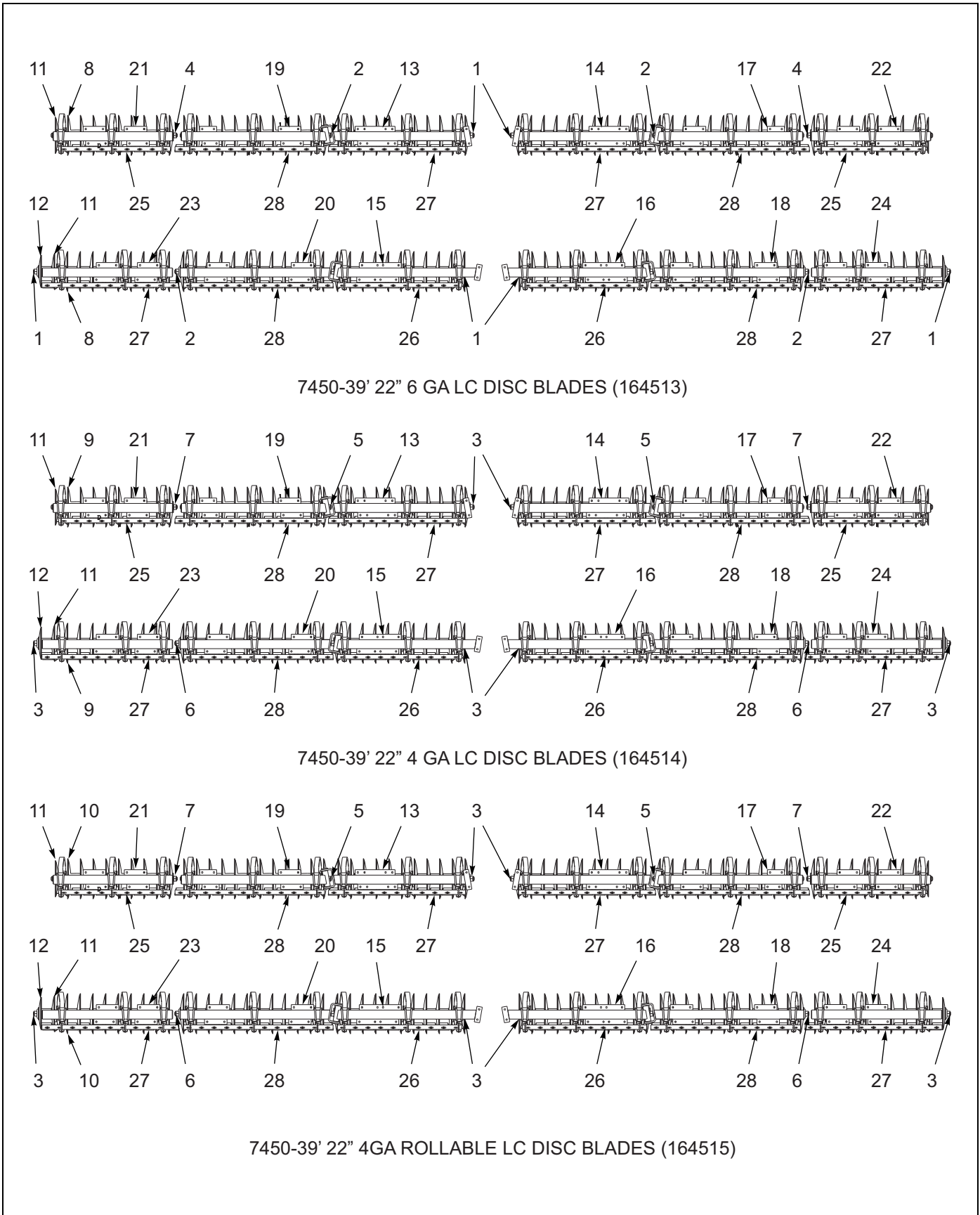
## DISC GANG ASSEMBLY

ITEM	PART NO.	DESCRIPTION	QTY.
1	1-512-010005-09	NUT HEX LOCK 1/2-13 GRB	
2	1-512-010005-15	NUT HEX LOCK 3/4-10 GRB	
3	1-647-010004257	PIN, SPRING SLOTTED 3/8 X 2-1/2	
4	1-654-010032-09	SCREW, HEX HEAD CAP 3/4-10 X 3 GR8	
5	1-654-010055-05	SCREW, HEX HEAD CAP 1/2-13 X 2 GR5	
6	1-654-010070-02	SCREW, RD HEAD SQ NECK 1/2-13 X 1-1/4	
7	160161	SHAKER BOLT, 1/2-13 X 1-3/4 GR8	
8	1-861-010032-14	WASHER, FLAT 1/2N	
9	1-861-010034-17	WASHER, SPLIT LOCK 3/4	
10	172509	NUT, WIDE FLANGE TOP LOCK 1/2-13	
11	140469	END COLLAR	
12	140477	BEARING ASSEMBLY, DISC 1.775 ID <b>(INCL ITEMS 31-35)</b>	
13	140479	MOUNT, TRUNNION BEARING	
14	140480	WASHER, TRUNNION	
15	140481*	SHANK, DISC BEARING, RIGHT	
16	140482**	SHANK, DISC BEARING, LEFT <b>(NOT SHOWN)</b>	
17	140483	PLATE, DISC SHANK MOUNT	
18	140484	U-BOLT, 3/4 X 5	
19	140485	HALF SPOOL, CONCAVE	
20	153651	HALF SPOOL, CONVEX	
21	140487	U-BOLT, SCRAPER BAR MOUNT	
22	151550	SCRAPER, 4" <b>(BEFORE 03/01/2015)</b>	
22	166718	SCRAPER, 5-1/2" <b>(AFTER 03/01/2015)</b>	
23	172724	ARM, SCRAPER	
24	140490*	MOUNT, SCRAPER BAR RIGHT	
25	140491**	MOUNT, SCRAPER BAR LEFT <b>(NOT SHOWN)</b>	
26	153649*	SCRAPER, DUAL RIGHT 7	
27	153650**	SCRAPER, DUAL LEFT 7 <b>(NOT SHOWN)</b>	
28	153652	SPOOL WELDMENT 7" <b>(REAR GANGS)</b>	
28	154668	SPOOL CAST 7 SP <b>(FRONT GANGS)</b>	
29	141154	WASHER, GANG SHAFT	
30	23085	NUT, HEX SLOTTED 1-3/4 - 5	
31	140464	BEARING, DISC 1.775ID	
32	140473	WASHER, BEARING	
33	140475	CASTING, TRUNNION BEARING	
34	140476	INTERNAL RETAINING RING	
35	5000	ZERK, FITTING 1/8	
36	-----	SCRAPER BAR <b>(SEE PAGES 2-44 - 2-49)</b>	
37	-----	GANG BAR <b>(SEE PAGES 2-44 - 2-49)</b>	
38	1-512-010005-05	NUT, HEX LOCK 3/8-16 GRB	
39	1-654-010051-11	SCREW, HEX HEAD CAP 3/8-16 X 2-1/2 GR5	
40	141275	BRACKET, HOSE CLAMP	
41	2-181-010001	HOSE CLAMP	
42	1-861-010032-11	WASHER, FLAT 3/8	
43	153709	WASHER, DISC GANG END	
44	164533	BEARING, FLANGE 1-3/4 <b>(USED IN GANG BARS)</b>	
45	170195	SPACER, 1/2 (2 PER INNER WING GANG 2/ SPRING END COLLAR)	

\* USED RIGHT FRONT AND LEFT REAR GANGS

\*\* USED LEFT FRONT AND RIGHT REAR GANGS

**ILLUSTRATED PARTS LIST**

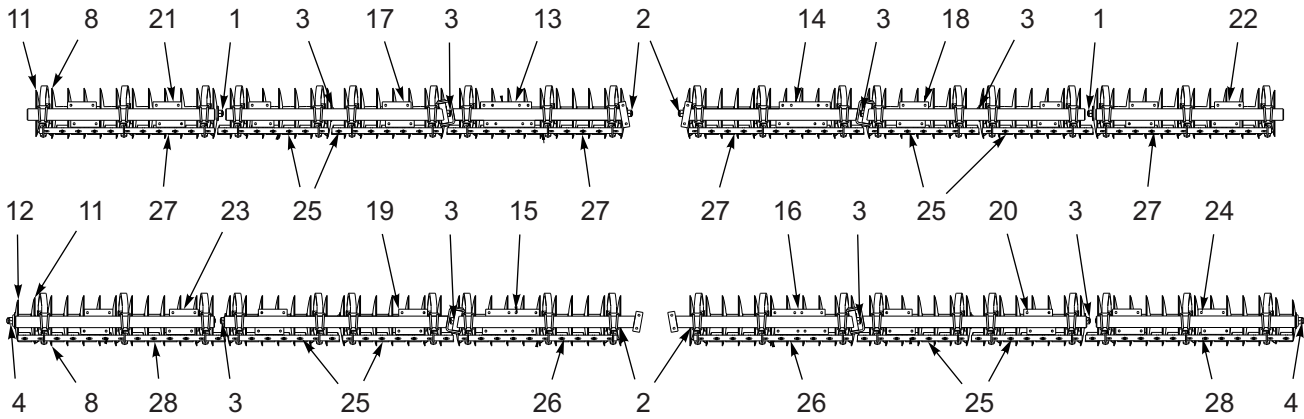


**Figure 2-25: 39' Disc Gang Placement**

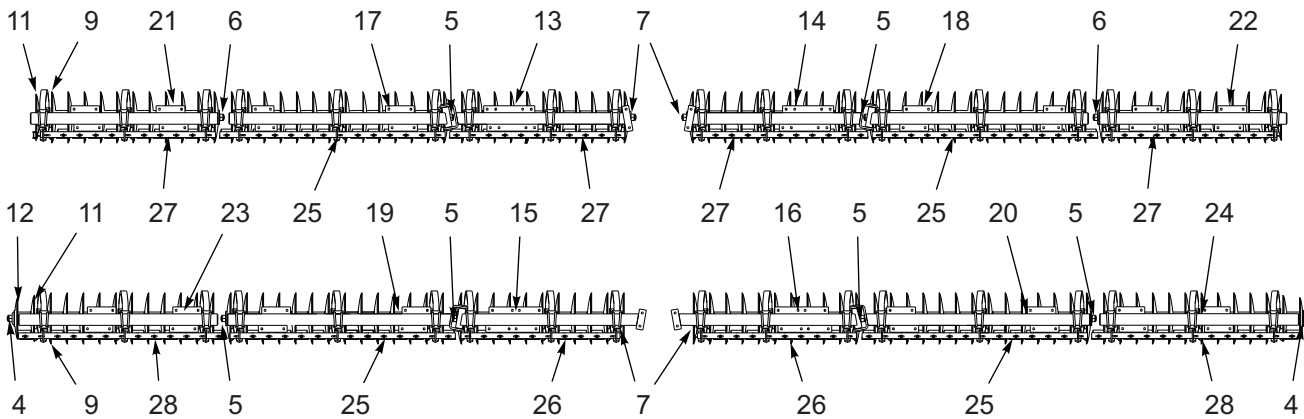
## 39' DISC GANG PLACEMENT PARTS

ITEM	PART NO.	DESCRIPTION	QTY.		
	164513	DISC GANG ASSEMBLY, 22" 6 GA LC	*		
	164514	DISC GANG ASSEMBLY, 22" 4 GA LC		*	
	164515	DISC GANG ASSEMBLY, 22" 4 GA ROLLABLE			*
1	156922	SHAFT, GANG 76L	6	-----	-----
2	154661	SHAFT, GANG 83L (PRIOR TO 08/2012)	4	-----	-----
2	171082	SHAFT, GANG 82L (AFTER 08/2012)	4	-----	-----
3	141165	SHAFT, GANG 76-1/2L	-----	6	6
4	164562	SHAFT, GANG 69L	2	-----	-----
5	156084	SHAFT, GANG 84L (PRIOR TO 08/2012)	-----	2	2
5	154661	SHAFT, GANG 83L (AFTER 08/2012)	-----	2	2
6	156921	SHAFT, GANG 83-1/2L (PRIOR TO 08/2012)	-----	2	2
6	154661	SHAFT, GANG 83L (AFTER 08/2012)	-----	2	2
7	156951	SHAFT, GANG 70L	-----	2	2
8	151548	DISC BLADE 22" X 6 GA	128	-----	-----
9	155617	DISC BLADE 22" X 1/4" - 1-3/4" ID	-----	128	-----
10	155618	DISC BLADE 22" X 1/4" - 1-3/4" ID ROLLABLE	-----	-----	128
11	155619	DISC BLADE, 20" X 1/4" - 1-3/4" ID ROLLABLE, OSMUNDSON ( <b>PRIOR TO 10-1-14</b> )	4	4	4
11	186100	DISC BLADE, 20" X 1/4" - 1-3/4" ID ROLLABLE, INGERSOLL ( <b>AFTER 10-1-14</b> )	4	4	4
12	158898	DISC BLADE, 18" X 1/4" - 1-3/4" ID ROLLABLE, OSMUNDSON ( <b>PRIOR TO 10-1-14</b> )	2	2	2
12	186101	DISC BLADE, 18" X 1/4" - 1-3/4" ID DISC BLADES, INGERSOLL ( <b>AFTER 10-1-14</b> )	2	2	2
13	162677	GANG BAR, LCF	1	1	1
14	162676	GANG BAR, RCF	1	1	1
15	162679	GANG BAR, LCR	1	1	1
16	162678	GANG BAR, RCR	1	1	1
17	162680	GANG BAR RIWF	1	1	1
18	162681	GANG BAR RIWR	1	1	1
19	162682	GANG BAR LIWF	1	1	1
20	162683	GANG BAR LIWR	1	1	1
21	162686	GANG BAR LOWF	1	1	1
22	162684	GANG BAR ROWF	1	1	1
23	162687	GANG BAR LOWR	1	1	1
24	162685	GANG BAR ROWR	1	1	1
25	153700	SCRAPER BAR 7 SP 9 HOLE	2	2	2
26	153701	SCRAPER BAR, 7 SP 10 HOLE	2	2	2
27	153702	SCRAPER BAR, 7 SP 11 HOLE	4	4	4
28	153703	SCRAPER BAR 7 AP 12 HOLE	4	4	4

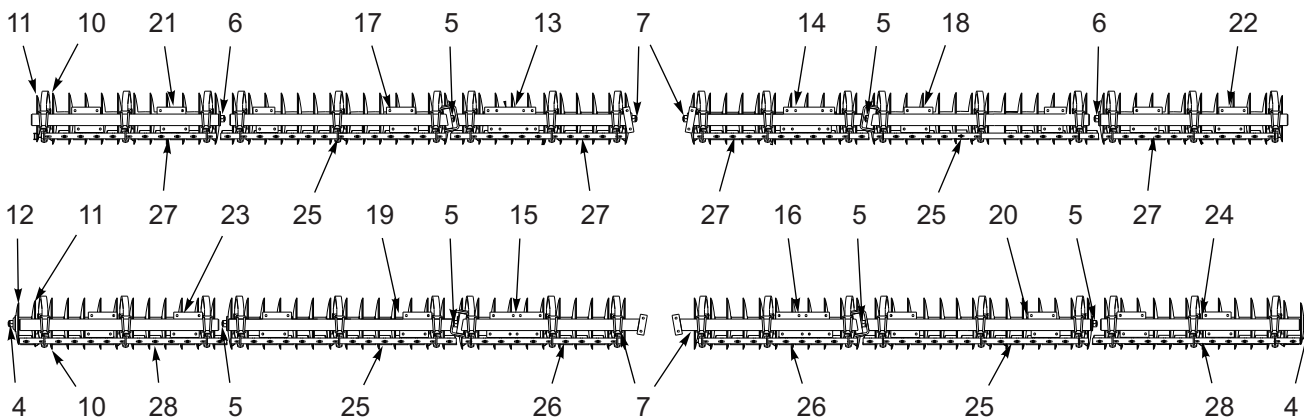
**ILLUSTRATED PARTS LIST**



7450-44' 22" 6 GA LC DISC BLADES (164516)



7450-44' 22" 4 GA LC DISC BLADES (164517)



7450-44' 22" 4GA ROLLABLE LC DISC BLADES (164518)

**Figure 2-26: 44' Disc Gang Placement**



## 44' DISC GANG PLACEMENT PARTS

ITEM	PART NO.	DESCRIPTION	QTY.		
	164516	DISC GANG ASSEMBLY, 22" 6 GA LC	*		
	164517	DISC GANG ASSEMBLY, 22" 4 GA LC		*	
	164518	DISC GANG ASSEMBLY, 22" 4 GA ROLLABLE			*
1	156921	SHAFT, GANG 83-1/2L	2	-----	-----
2	156922	SHAFT, GANG 76L	4	-----	-----
3	167571	SHAFT, GANG 48L (PRIOR TO 08/2012)	8	-----	-----
3	170196	SHAFT, GANG 47L (AFTER 08/2012)	8	-----	-----
4	149592	SHAFT, GANG 90-1/2	2	2	2
5	167589	SHAFT, GANG 48-1/4 (PRIOR TO 08/2012)	-----	8	8
5	170223	SHAFT, GANG 47-1/2L (AFTER 08/2012 THRU 164517 & 164518 PRIOR 3-1-2016) (164516 STILL USES 170223)	-----	8	8
5	153710	SHAFT, GANG 97 L (164517 & 164518 AFTER 3-1-2016)	-----	4	4
6	156084	SHAFT, GANG 84L	-----	2	2
7	141165	SHAFT, GANG 76-1/2L	-----	4	4
8	151548	DISC BLADE 22" X 6 GA	144	-----	-----
9	155617	DISC BLADE 22" X 1/4 - 1-3/4 "ID	-----	144	-----
10	155618	DISC BLADE 22" X 1/4 - 1-3/4" ID ROLLABLE	-----	-----	144
11	155619	DISC BLADE, 20" X 1/4" - 1-3/4" ID ROLLABLE, OSMUNDSON ( <b>PRIOR TO 10-1-14</b> )	4	4	4
11	186100	DISC BLADE, 20" X 1/4" - 1-3/4" ID ROLLABLE, INGERSOLL ( <b>AFTER 10-1-14</b> )	4	4	4
12	158898	DISC BLADE, 18" X 1/4" - 1-3/4" ID ROLLABLE, OSMUNDSON ( <b>PRIOR TO 10-1-14</b> )	2	2	2
12	186101	DISC BLADE, 18" X 1/4" - 1-3/4" ID DISC BLADES, INGERSOLL ( <b>AFTER 10-1-14</b> )	2	2	2
13	162677	GANG BAR, LCF	1	1	1
14	162676	GANG BAR, RCF	1	1	1
15	162679	GANG BAR, LCR	1	1	1
16	162678	GANG BAR, RCR	1	1	1
17	165307	GANG BAR, LIWF	1	1	1
18	165305	GANG BAR, RIWF	1	1	1
19	165308	GANG BAR, LIWR	1	1	1
20	165306	GANG BAR, RIWR	1	1	1
21	165311	GANG BAR, LOWF	1	1	1
22	165309	GANG BAR, ROWF	1	1	1
23	165312	GANG BAR, LOWR	1	1	1
24	165310	GANG BAR, ROWR	1	1	1
25	153698	SCRAPER BAR 7 SP 7 HOLE (164516) (164517 & 164518 PRIOR 3-1-2016)	8	8	8
25	153705	SCRAPER BAR, 7 SP 14 HOLE (164517 & 164518 AFTER 3-1-2016)	4	4	4
26	153701	SCRAPER BAR, 7 SP 10 HOLE	2	2	2
27	153702	SCRAPER BAR, 7 SP 11 HOLE	4	4	4
28	153704	SCRAPER BAR, 7 SP 13 HOLE	2	2	2

# ILLUSTRATED PARTS LIST

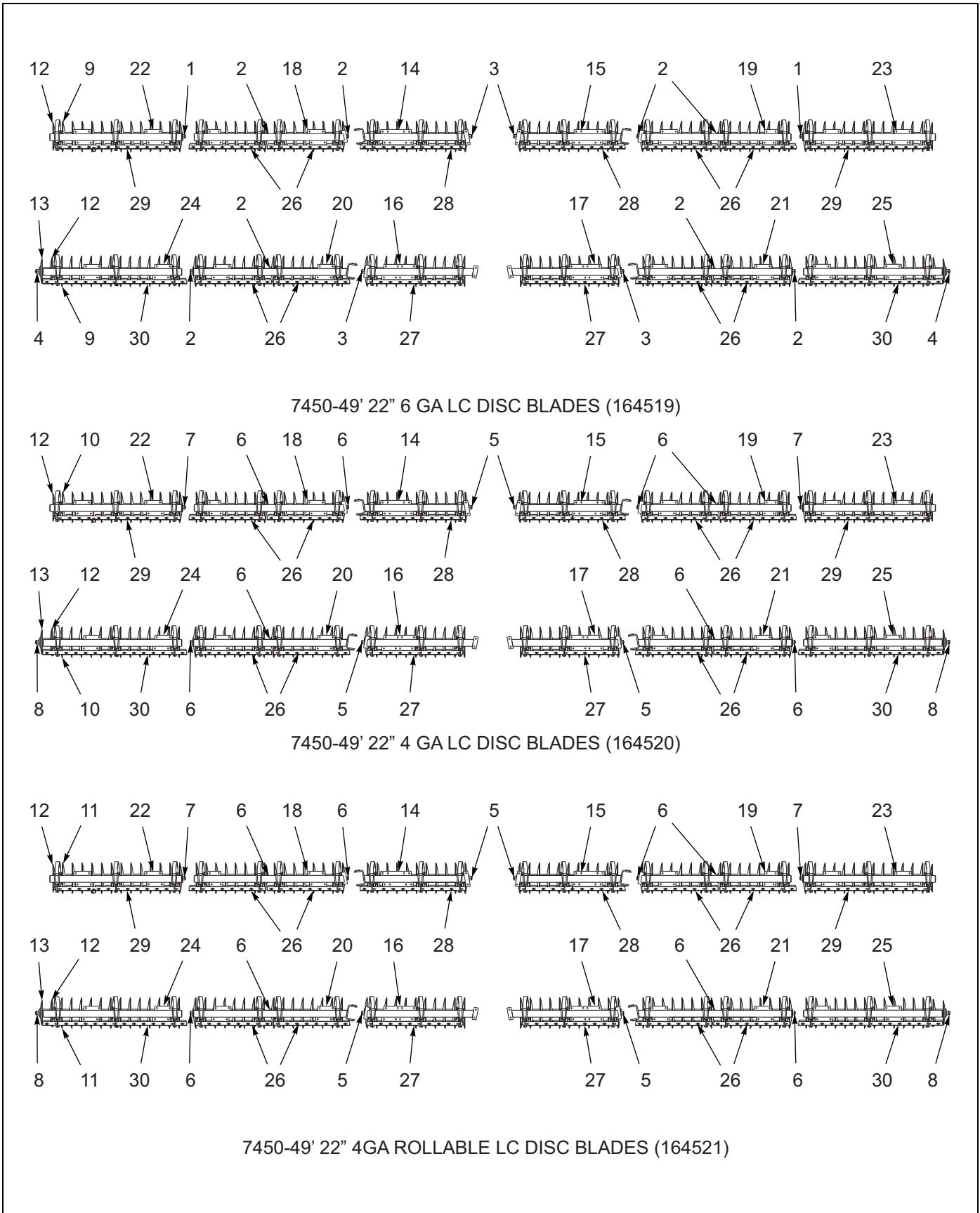


Figure 2-27: 49' Disc Gang Placement

## 49' DISC GANG PLACEMENT PARTS

ITEM	PART NO.	DESCRIPTION	QTY.		
	164519	DISC GANG ASSEMBLY, 22" 6 GA LC	*		
	164520	DISC GANG ASSEMBLY, 22" 4 GA LC		*	
	164521	DISC GANG ASSEMBLY, 22" 4 GA ROLLABLE			*
1	153710	SHAFT, GANG 97L	2	-----	-----
2	154662	SHAFT, GANG 55L (PRIOR TO 08/2012)	8	-----	-----
2	171020	SHAFT, GANG 54L (AFTER 08/2012)	8	-----	-----
3	156922	SHAFT, GANG 76L	4	-----	-----
4	153711	SHAFT, GANG 104L	2	-----	-----
5	141165	SHAFT, GANG 76-1/2L	-----	4	4
6	153713	SHAFT, GANG 55-1/2L (PRIOR TO 08/2012)	-----	8	8
6	171021	SHAFT, GANG 54-1/2L (AFTER 08/2012)	-----	8	8
7	156082	SHAFT, GANG 98L	-----	2	2
8	156083	SHAFT, GANG 105L	-----	2	2
9	151548	DISC BLADE, 22" X 6 GA	160	-----	-----
10	155617	DISC BLADE, 22" X 1/4 - 1-3/4" ID	-----	160	-----
11	155618	DISC BLADE, 22" X 1/4 - 1-3/4" ID ROLLABLE	-----	-----	160
12	155619	DISC BLADE, 20" X 1/4" - 1-3/4" ID ROLLABLE, OSMUNDSON (PRIOR TO 10-1-14)	4	4	4
12	186100	DISC BLADE, 20" X 1/4" - 1-3/4" ID ROLLABLE, INGERSOLL (AFTER 10-1-14)	4	4	4
13	158898	DISC BLADE, 18" X 1/4" - 1-3/4" ID ROLLABLE, OSMUNDSON (PRIOR TO 10-1-14)	2	2	2
13	186101	DISC BLADE, 18" X 1/4" - 1-3/4" ID DISC BLADES, INGERSOLL (AFTER 10-1-14)	2	2	2
14	162677	GANG BAR, LCF	1	1	1
15	162676	GANG BAR, RCF	1	1	1
16	162679	GANG BAR, LCR	1	1	1
17	162678	GANG BAR, RCR	1	1	1
18	165315	GANG BAR, LIWF	1	1	1
19	165313	GANG BAR, RIWF	1	1	1
20	165316	GANG BAR, LIWR	1	1	1
21	165314	GANG BAR, RIWR	1	1	1
22	165319	GANG BAR, LOWF	1	1	1
23	165317	GANG BAR, ROWF	1	1	1
24	165320	GANG BAR, LOWR	1	1	1
25	165318	GANG BAR, ROWR	1	1	1
26	153699	SCRAPER BAR, 7 SP 8 HOLE	8	8	8
27	153701	SCRAPER BAR, 7 SP 10 HOLE	2	2	2
28	153702	SCRAPER BAR, 7 SP 11 HOLE	2	2	2
29	153704	SCRAPER BAR, 7 SP 13 HOLE	2	2	2
30	153706	SCRAPER BAR 7 SP 15 HOLE	2	2	2

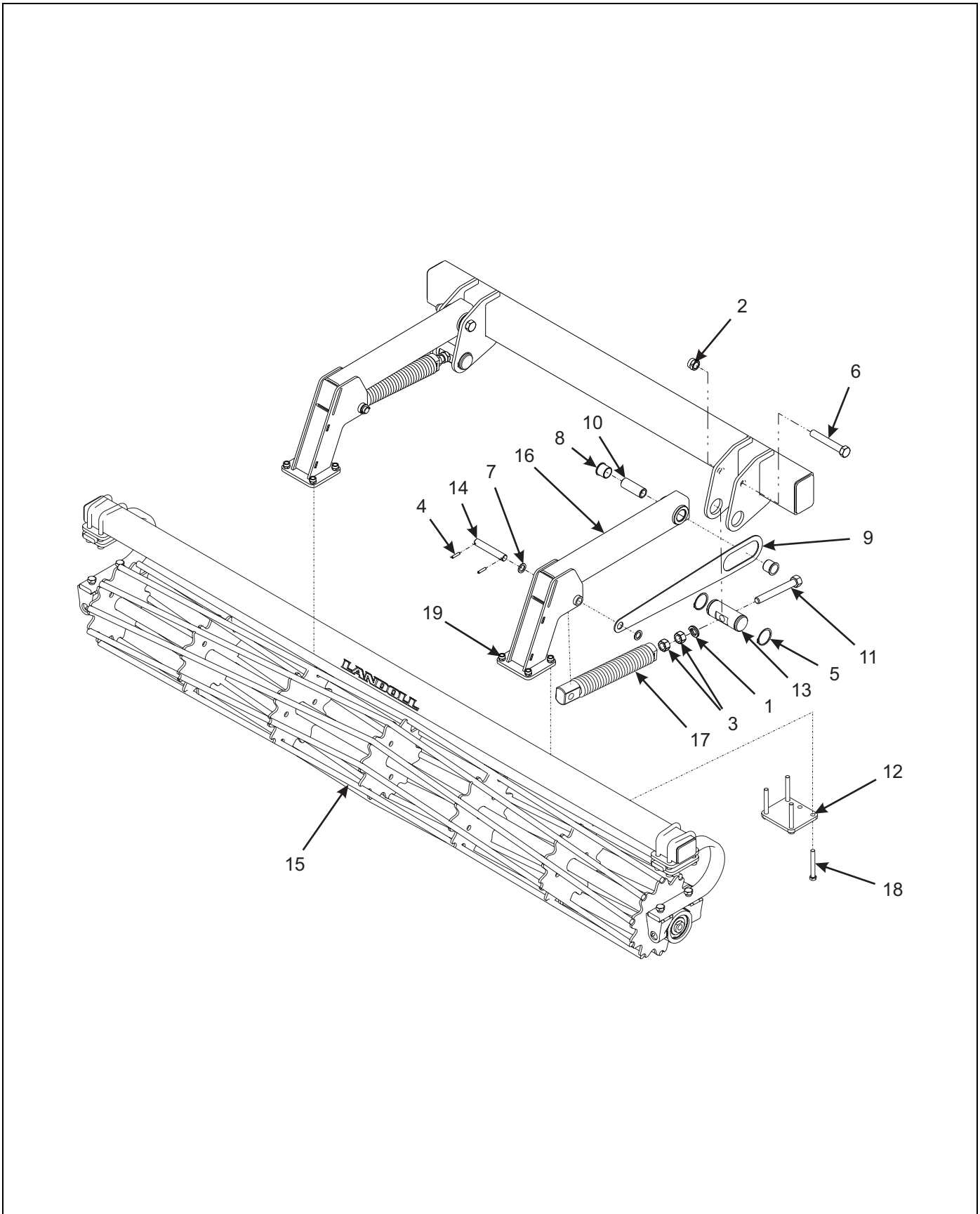


Figure 2-28: Conditioner Reel Assembly

## CONDITIONER REEL ASSEMBLY

ITEM	PART NO.	DESCRIPTION	QTY.
	164525	CONDITIONER REEL ASSEMBLY (39')	
	164526	CONDITIONER REEL ASSEMBLY (44')	
	164527	CONDITIONER REEL ASSEMBLY (49')	
1	1-861-010034-21	WASHER, LOCK 1"	11
2	1-512-010005-19	NUT, HEX LOCK 1-8 GRB	11
3	1-512-010007-14	NUT, HEX 1-8 GRB	22
4	1-647-010004236	SPRING PIN, SLOTTED 5/16 X 1-1/2	22
5	158896	SNAP RING	22
6	100829	SCREW, HEX HEAD CAP 1-8 X 6-1/2 GR5	11
7	117957	MACHINERY BUSHING	22
8	140599	BEARING, FLANGE 1-1/2	22
9	167554	STOP, REEL ARM	4
10	152209	BUSHING, PIVOT 1-1/2	11
11	152210	BOLT, ADJ 1 X 8	11
12	154748P	PLATE, GANGBAR MOUNT	11
13	158897	PIN, ADJUSTMENT W/ SNAP RING	11
14	154392	PIN, PIVOT	11
15	154686	CONDITIONER REEL/GANGBAR ASSY, 91" (SEE PAGE 2-59)	4
15	165127	CONDITIONER REEL/GANGBAR ASSY, 156" (SEE PAGE 2-59)	1
15	155545	CONDITIONER REEL/GANGBAR ASSY, 97" (SEE PAGE 2-59)	4
15	154687	CONDITIONER REEL/GANGBAR ASSY, 114" (SEE PAGE 2-59)	4
16	158847	ARM, REEL	11
17	158795	SPRING ASSEMBLY, HEAVY 17"	11
18	172884	SCREW, HEX HEAD CAP 3/4-10 X 6 GR8	55
19	1-512-010005-15	NUT, HEX LOCK 3/4-10 GRB	110



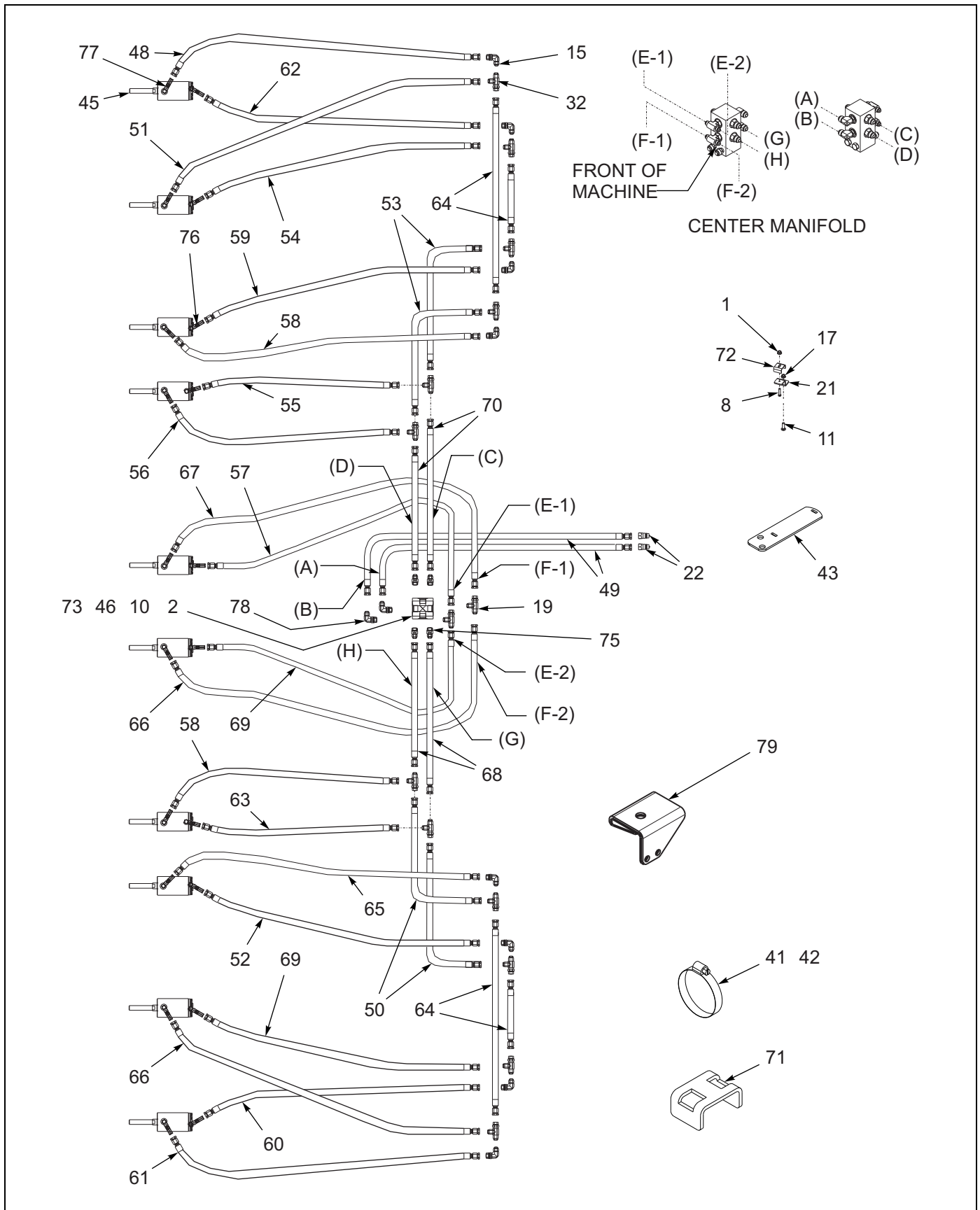


Figure 2-30: Hydraulic Conditioner Reel Assembly

## HYDRAULIC CONDITIONER REEL ASSEMBLY

ITEM	PART NO.	DESCRIPTION	QTY.		
	172989	HYDRAULIC CONDITIONER REEL ASSEMBLY (39')	*		
	172990	HYDRAULIC CONDITIONER REEL ASSEMBLY (44')		*	
	172991	HYDRAULIC CONDITIONER REEL ASSEMBLY (49')			*
1	1-510-010001	NUT, FLANGE LOCK 3/8-16	4	4	4
2	1-512-010005-09	NUT, HEX LOCK 1/2-13 GRB	2	2	2
3	1-512-010005-15	NUT, HEX LOCK 3/4-10 GRB	110	110	110
4	1-512-010005-19	NUT, HEX LOCK 1-8 GRB	11	11	11
5	1-512-010007-07	NUT, HEX 3/8-16 ZP	1	1	1
6	1-512-010007-14	NUT, HEX 1-8 GRB (BEFORE 6-8-2017)	12	12	12
6	206675	NUT, 1-1/8 -12 UNF, Z/P GR 2 (AFTER 6-8-2017)	12	12	12
7	1-647-010004236	SPRING PIN, SLOTTED 5/16 X 1-1/2	22	22	22
8	1-654-010051-07	SCREW, HEX HEAD CAP 3/8-16 X 1-1/2 GR5	4	4	4
9	1-654-010055-03	SCREW, HEX HEAD CAP 1/2-13 X 1-1/2 GR5	24	24	24
10	1-654-010055-11	SCREW, HEX HEAD CAP 1/2-13 X 3-1/2 GR5	2	2	2
11	1-654-010070-03	SCREW, RD HEAD SQ NECK 1/2-13 X 1-1/2	4	4	4
12	1-861-010034-13	WASHER, SPLIT LOCK 1/2	40	40	40
13	1-861-010034-21	WASHER, LKG HEL SPRG 1IN	1	1	1
14	100829	SCREW, HEX HEAD CAP 1-8 X 6-1/2 GR5	11	11	11
15	102-0031	ADAPTER,90 JIC SWIVEL #6	8	8	8
16	117957	MACHINERY BUSHING	22	22	22
17	124971	NUT, HEX FLANGE LOCK 1/2-13	4	4	4
18	129698	SCREW, HEX HEAD CAP 3/8-16 X 4-1/2 GR5	1	1	1
19	139347	ADAPTER, TEE	2	2	2
20	140599	BEARING, FLANGE 1-1/2	22	22	22
21	141275	BRACKET, HOSE CLAMP	4	4	4
22	141828	COUPLER, MALE 3/4-16	2	2	2
23	152209	BUSHING, PIVOT 1-1/2	11	11	11
24	152210	BOLT, ADJUSTMENT 1 X 9	1	1	1
25	154392	PIN, PIVOT	11	11	11
26	154748P	PLATE, GANGBAR MOUNT	11	11	11
27	154686	CONDITIONER REEL/ GANG BAR 91"	4	--	--
27	155545	CONDITIONER REEL/GANGBAR ASSEMBLY, 97" (SEE PAGE 2-59)	--	4	--
27	154687	CONDITIONER REEL/ GANG BAR 114"	--	--	4
28	158795	SPRING ASSEMBLY, 17" (USED ON CENTER ARM) (BEFORE 6-8-2017 WITH 174720-CYLINDER-1" THD.)	11	11	11
28	206652	SPRING ASSY 17" 1-1/8 THD (AFTER 6-8-2017 WITH 206670-CYLINDER-1-1/8" THD.)	11	11	11
29	158847	ARM, REEL	11	11	11
30	158896	SNAP RING, 2-1/2 SHAFT	2	2	2
31	158897	PIN, ADJUSTMENT W/ SNAP RING	1	1	1
32	162569	TEE, BULKHEAD RUN	12	12	12
33	165127	CONDITIONER REEL/GANGBAR ASSEMBLY, 156" (SEE PAGE 2-59)	1	1	1
34	167554	STOP, REEL ARM	4	4	4
35	169690	SCREW, HEX HEAD CAP 1/2-13 X 2-1/4 GR5	16	16	16
36	171074	TRUNNION, CYLINDER (BEFORE 2-21-2016)	12	12	12
36	198320	ASSY, TRUNION MOUNT 1-1/4" (AFTER 2-21-2016) (INCLUDES ITEMS 81-83)	12	12	12



## HYDRAULIC CONDITIONER REEL ASSEMBLY

ITEM	PART NO.	DESCRIPTION	QTY.		
37	172534	TRUNNION, CYLINDER (BEFORE 2-21-2016)	8	8	8
37	198321	ASSY, TRUNION MOUNT 1-5/8"(AFTER 2-21-2016) (INCLUDES ITEMS 83-86)	8	8	8
38	172535	TRUNNION STOP, CYLINDER (NOT SHOWN, USED WITH 172534) (BEFORE 2-21-2016)	8	8	8
39	172884	SCREW, HEX HEAD CAP 3/4-10 X 6 GR8	55	55	55
40	172973	HOSE WRAP, RED (NOT SHOWN)	1	1	1
41	172976	CLAMP, HOSE 4-1/2 - 6-1/2	10	10	10
42	172977	CLAMP, HOSE 2-1/2 - 8-1/2	12	12	12
43	172992	PLATE, BULKHEAD	6	6	6
44	173044	SCREW, ALL THREAD 3/8-16 X 4-1/2	1	1	1
45	174720	CYLINDER, 2-1/2" X 1" STROKE 1" THD ROD (SEE PAGE 2-70) (BEFORE 6-8-2017)	10	10	10
45	206670	CYLINDER, 2-1/2" X 1" ST 1-1/8" THD ROD (SEE PAGE 2-71) (AFTER 6-8-2017)	10	10	10
46	174722	MOUNT, DUAL MANIFOLD	1	1	1
47	174724	HOSE KIT, REEL CYLINDER (39') (INCL. ITEMS 48-70)	1	--	--
47	174725	HOSE KIT, REEL CYLINDER (44') (INCL. ITEMS 48-70)	--	1	--
47	174726	HOSE KIT, REEL CYLINDER (49') (INCL. ITEMS 48-70)	--	--	1
48	172978	HOSE ASSEMBLY 1/4 X 94	1	--	--
48	125648	HOSE ASSEMBLY 1/4 X 108	--	1	--
48	172980	HOSE ASSEMBLY 1/4 X 125	--	--	1
49	153622	HOSE ASSEMBLY 3/8 X 385	2	2	2
50	7779-72	HOSE ASSEMBLY 1/4 X 72	2	--	--
50	172568	HOSE ASSEMBLY 1/4 X 86	--	2	--
50	7779-102	HOSE ASSEMBLY 1/4 X 102	--	--	2
51	172979	HOSE ASSEMBLY 1/4 X 60	6	6	6
52	172981	HOSE ASSEMBLY 1/4 X 50	1	1	1
53	172979	HOSE ASSEMBLY 1/4 X 60	2	--	--
53	172998	HOSE ASSEMBLY 1/4 X 75	--	2	--
53	7779-90	HOSE ASSEMBLY 1/4 X 90	--	--	2
54	173013	HOSE ASSEMBLY 1/4 X 57	1	1	1
55	176929	HOSE ASSEMBLY 1/4 X 24	1	1	1
56	176930	HOSE ASSEMBLY 1/4 X 28	1	1	1
57	71509006	HOSE ASSEMBLY 1/4 X 80	1	1	1
58	71509008	HOSE ASSEMBLY 1/4 X 40	2	2	2
59	71509009	HOSE ASSEMBLY 1/4 X 36	1	1	1
60	7779-102	HOSE ASSEMBLY 1/4 X 102	1	--	--
60	71509124	HOSE ASSEMBLY 1/4 X 116	--	1	--
60	71508981	HOSE ASSEMBLY 1/4 X 130	--	--	1
61	125648	HOSE ASSEMBLY 1/4 X 108	1	--	--
61	71600529	HOSE ASSEMBLY 1/4 X 120	--	1	--
61	71509001	HOSE ASSEMBLY 1/4 X 137	--	--	1
62	7779-102	HOSE ASSEMBLY 1/4 X 102	1	1	1
63	7779-34	HOSE ASSEMBLY 1/4 X 34	1	1	1
64	7779-48	HOSE ASSEMBLY 1/4 X 48	4	4	4
65	7779-54	HOSE ASSEMBLY 1/4 X 54	1	1	1
66	7779-78	HOSE ASSEMBLY 1/4 X 78	2	2	2
67	7779-84	HOSE ASSEMBLY 1/4 X 84	1	1	1

**HYDRAULIC CONDITIONER REEL ASSEMBLY**

ITEM	PART NO.	DESCRIPTION	QTY.		
68	125648	HOSE ASSEMBLY 1/4 X 108	2	2	2
69	172998	HOSE ASSEMBLY 1/4 X 75	2	2	2
70	71600529	HOSE ASSEMBLY 1/4 X 120	2	2	2
71	174784	CLAMP HOSE	20	20	20
72	2-181-010001	HOSE CLAMP	5	5	5
73	2-474-010022	MANIFOLD, HYDRAULIC ASSEMBLY 8 PORT	1	1	1
74	202702-6-6S	ADAPTER, STR	8	8	8
75	202702-8-6S	ADAPTER	4	4	4
76	2061-6-6S	ADAPTER, 45	2	2	2
77	2062-6-6S	ADAPTER, 90	10	10	10
78	2062-8-8S	ADAPTER, 90	2	2	2
79	174722	MOUNT, DUAL MANIFOLD	5	5	5
80	1P444	SET SCREW, 3/8-16 X 3/4 NYLON <b>(AFTER 6-8-2017)</b>	10	10	10
81	191924	TRUNION, CYLINDER	1	1	1
82	191925	TRUNION, BEARING	1	1	1
83	188530	SNAP RING, 2 SHAFT	1	1	1
84	188528	TRUNION, CYLINDER	1	1	1
85	188531	TRUNION, BEARING	1	1	1
86	109895	WASHER,3ODX2-1/16X14GA	1	1	1



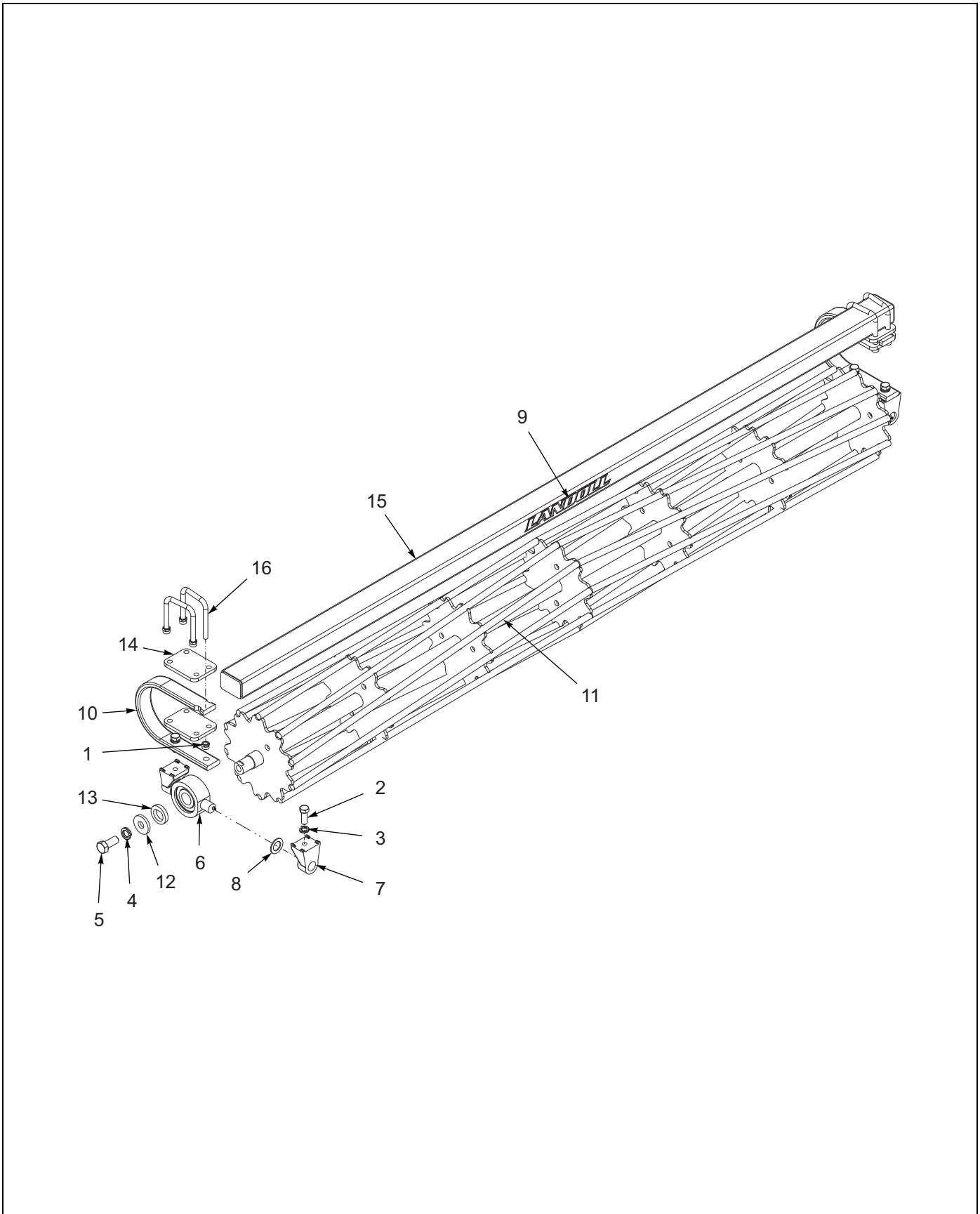


Figure 2-31: Reel/Gang Bar Assembly

## REEL/GANGBAR ASSEMBLY

ITEM	PART NO.	DESCRIPTION	QTY.
	154686	CONDITIONER REEL/GANGBAR ASSY, 91" (39')	
	165127	CONDITIONER REEL/GANGBAR ASSY, 156" (ALL MODELS)	
	155545	CONDITIONER REEL/GANGBAR ASSY, 97" (44')	
	154687	CONDITIONER REEL/GANGBAR ASSY, 114" (49')	
1	1-512-010005-13	NUT, HEX LOCK 5/8-11 GRB	8
2	1-654-010032-05	SCREW, HEX HEAD CAP 3/4-10 X 2 GR8	4
3	1-861-010034-17	WASHER, SPLIT LOCK 3/4	4
4	1-861-010034-21	WASHER, SPLIT LOCK 1"	2
5	137943	SCREW, HEX HEAD CAP 1-8 X 2-1/4 GR5	2
6	140477	BEARING, DISC 1.775 ID ASSEMBLY	2
7	140479	MOUNT, TRUNNION BEARING	4
8	140480	WASHER, TRUNNION	2
9	148337	ATTACHMENT DECAL, LANDOLL	1
10	153716	SHANK, STRAIGHT 3/4 X 2-1/2	2
11	154691	CONDITIONER REEL, 91" (154686)	1
11	164378	CONDITIONER REEL, 156" (165127)	1
11	155520	CONDITIONER REEL, 97" (155545)	1
11	154692	CONDITIONER REEL, 114" (154687)	1
12	154185	WASHER, 3/8 THICK	2
13	154186	WASHER, FLAT TOP	2
14	154393	PLATE, SHANK MOUNT	4
15	165226	GANG BAR, 166" REEL 156" (165127)	1
15	154658	GANG BAR, 101" REEL 91" (154686)	1
15	155544	GANG BAR, 107" REEL 97" (155545)	1
15	154659	GANG BAR, 124" REEL 114" (154687)	1
16	6-102-010009	U-BOLT	4

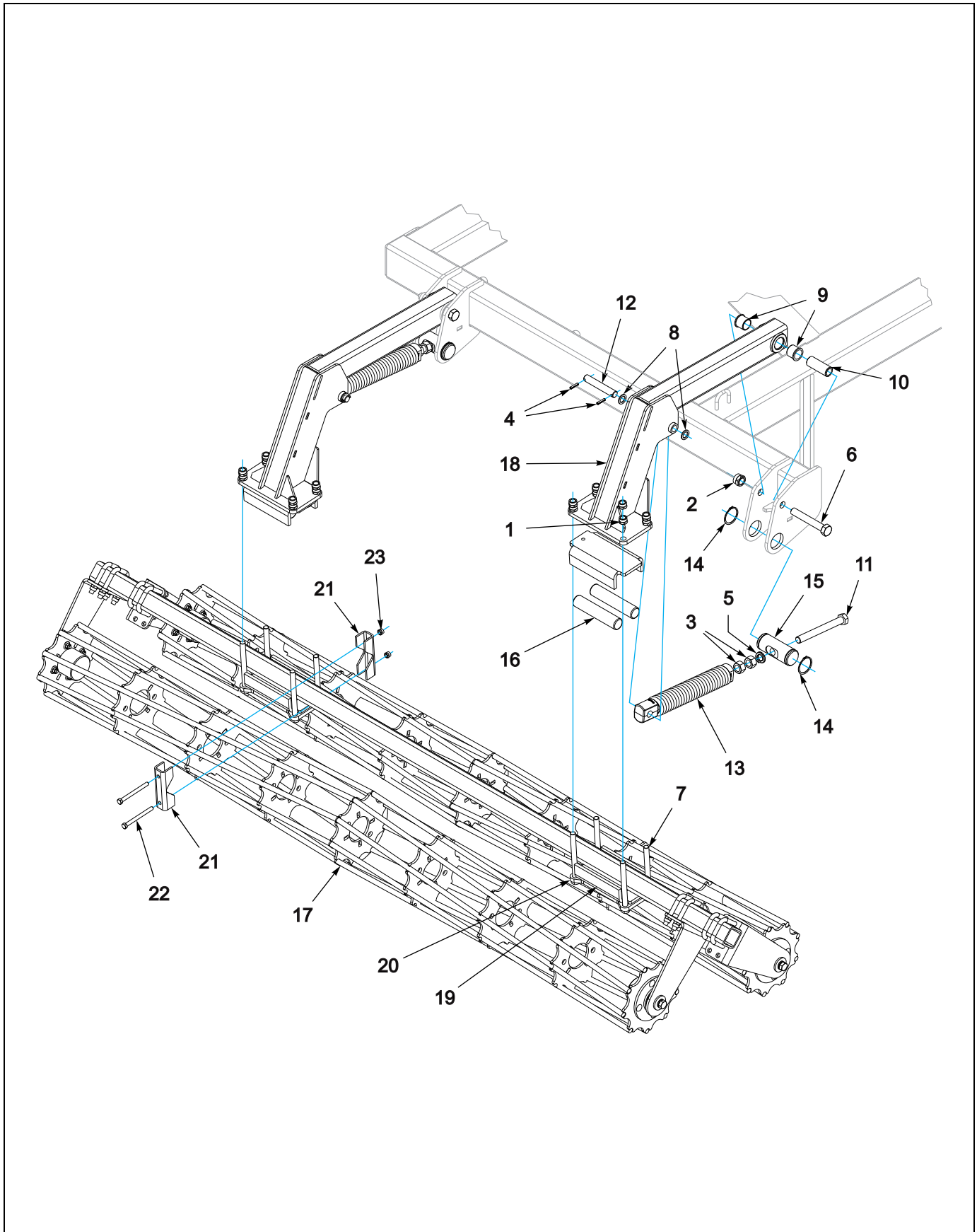


Figure 2-32: Reel Double Spring Assembly

## REEL DOUBLE SPRING ASSEMBLY

ITEM	PART NO.	DESCRIPTION	QTY.
	191954	DOUBLE REEL ASSY ROUND 7450-39	
	191955	DOUBLE REEL ASSY ROUND 7450-44	
	191956	DOUBLE REEL ASSY ROUND 7450-49	
1	1-512-010005-15	NUT,HEX,SLFLKG GRB 3/4-10	88
2	1-512-010005-19	NUT 1-8 HEX SLF-LOCKING GRB	11
3	1-512-010007-14	NUT, HEX 1-8 GR2 ZP	22
4	1-647-010004236	SPRING PIN,SLOTTED 5/16X1-1/2	22
5	1-861-010034-21	WASHER, LKG HEL SPRG 1IN	1
6	100829	SCREW,HEX CAP,1-8X6-1/2,GR5	11
7	107491	SCREW,HEX CAP,3/4-10X8-1/2,GR8	44
8	117957	MACHINERY BUSHING,ZINC PLATED	22
9	140599	BEARING, FLANGE 1-1/2	22
10	152209	BUSHING, PIVOT 1-1/2	11
11	152210	BOLT, ADJ, 1 X 9	11
12	154392	PIN,PIVOT	11
13	158795	SPRING ASSY, 17"	11
14	158896	SNAP RING, 2-1/2 SHAFT	22
15	158897	PIN, ADJUSTMENT	11
16	203525	SPRING-TORSION, RUBBER, 1-3/4	44
17	----	DOUBLE REEL ASSY <b>(SEE PAGE 2-67)</b>	
18	204505	ARM WLDMT DOUBLE REEL	11
19	204510	PLATE GANGBAR MOUNT	11
20	204511	TUBE, CLAMP	22
21	191487	CLAMP, TUBE 3X3	8
22	1-654-010055-16	SCREW HEX CAP 1/2-13X5-1/2GR5	8
23	1-512-010005-09	NUT,HEX,SLFLKG, 1/2-13 GRB	8

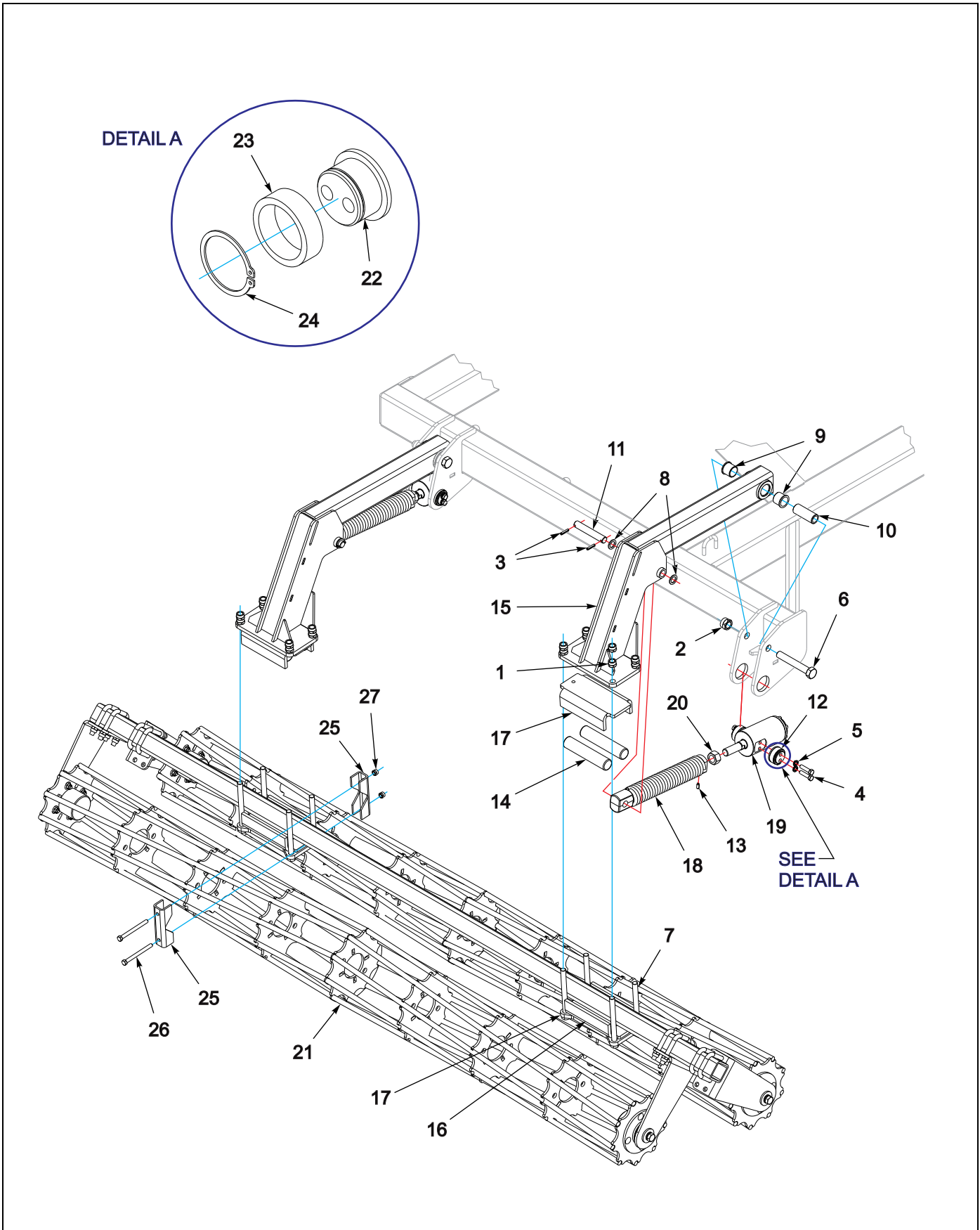


Figure 2-33: Reel Double Hydraulic Assembly Wings



## REEL DOUBLE HYDRAULIC ASSEMBLY WINGS

ITEM	PART NO.	DESCRIPTION	QTY.
1	1-512-010005-15	NUT,HEX,SLFLKG GRB 3/4-10	88
2	1-512-010005-19	NUT 1-8 HEX SLF-LOCKING GRB	11
3	1-647-010004236	SPRING PIN,SLOTTED 5/16X1-1/2	22
4	1-654-010055-05	SCREW,HEX CAP,1/2-13UNCX2 GR5	24
5	1-861-010034-13	WASHER, LKG HLCL SPR, 1/2	40
6	100829	SCREW,HEX CAP,1-8X6-1/2,GR5	11
7	107491	SCREW HX CP 3/4-10X8-1/2 GR8	44
8	117957	MACHINERY BUSHING,ZINC PLATED	22
9	140599	BEARING, FLANGE 1-1/2	22
10	152209	BUSHING, PIVOT 1-1/2	11
11	154392	PIN,PIVOT	11
12	198320	ASSY, TRUNION MOUNT 1-1/4"	12
13	1P444	SET SCREW, 3/8-16 X 3/4 NYLON	10
14	203525	SPRING-TORSION, RUBBER, 1-3/4	44
15	204505	ARM WLDMT DOUBLE REEL	11
16	204510	PLATE GANGBAR MOUNT	11
17	204511	TUBE, CLAMP	22
18	206652	SPRING ASSY 17" 1-1/8 THD	10
19	206670	CYL ASM 2-1/2X1 ST 1-1/8 THDS (SEE PAGE 2-71)	10
20	1-511-010002-11	NUT,HEX JAM,1-1/8-12 UNF,GR2	10
21	----	DOUBLE REEL ASSY (SEE PAGE 2-67)	1
22	191924	TRUNION, CYLINDER	12
23	191925	TRUNION, BEARING	12
24	188530	SNAP RING, 2 SHAFT	12
25	191487	CLAMP, TUBE 3X3	8
26	1-512-010005-09	NUT,HEX,SLFLKG, 1/2-13 GRB	16
27	1-512-010005-09	1-512-010005-09	16

# ILLUSTRATED PARTS LIST

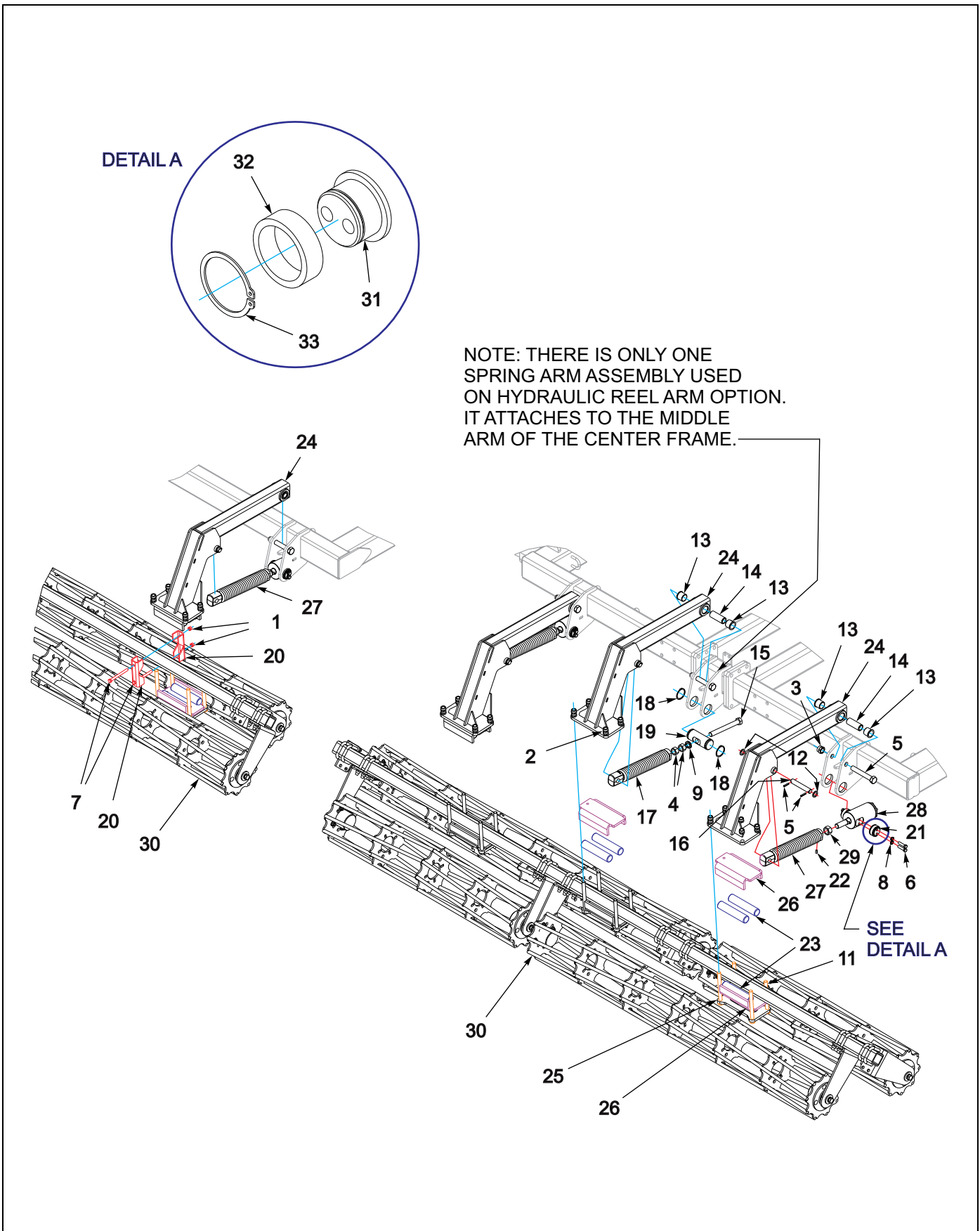


Figure 2-34: Reel Double Assembly

**REEL DOUBLE ASSEMBLY**

ITEM	PART NO.	DESCRIPTION	QTY.
1	1-512-010005-09	NUT,HEX,SLFLKG, 1/2-13 GRB	
2	1-512-010005-15	NUT,HEX,SLFLKG GRB 3/4-10	
3	1-512-010005-19	NUT 1-8 HEX SLF-LOCKING GRB	
4	1-512-010007-14	NUT, HEX 1-8 GR2 ZP	
5	1-647-010004236	SPRING PIN,SLOTTED 5/16X1-1/2	
6	1-654-010055-05	SCREW,HEX CAP,1/2-13UNCX2 GR5	
7	1-654-010055-16	SCREW HEX CAP 1/2-13X5-1/2GR5	
8	1-861-010034-13	WASHER, LKG HLCL SPR, 1/2	
9	1-861-010034-21	WASHER, LKG HEL SPRG 1IN	
10	100829	SCREW,HEX CAP,1-8X6-1/2,GR5	
11	107491	SCREW HX CP 3/4-10X8-1/2 GR8	
12	117957	MACHINERY BUSHING,ZINC PLATED	
13	140599	BEARING, FLANGE 1-1/2	
14	152209	BUSHING, PIVOT 1-1/2	
15	152210	BOLT, ADJ, 1 X 9	
16	154392	PIN,PIVOT	
17	158795	SPRING ASSY, 17"	
18	158896	SNAP RING, 2-1/2 SHAFT	
19	158897	PIN, ADJUSTMENT	
20	191487	CLAMP, TUBE 3X3	
21	198320	ASSY, TRUNION MOUNT 1-1/4"	
22	1P444	SET SCREW, 3/8-16 X 3/4 NYLON	
23	203525	SPRING-TORSION, RUBBER, 1-3/4	
24	204505	ARM WLDMT DOUBLE REEL	
25	204510	PLATE GANGBAR MOUNT	
26	204511	TUBE, CLAMP	
27	206652	SPRING ASSY 17" 1-1/8 THD	
28	206670	CYL ASM 2-1/2X1 ST 1-1/8 THDS (SEE PAGE 2-71)	
29	1-511-010002-11	NUT,HEX JAM,1-1/8-12 UNF,GR2	
30	----	DOUBLE REEL ASSEMBLIES (SEE PAGE 2-67 OR SEE PAGE 2-69)	
31	191924	TRUNION, CYLINDER	
32	191925	TRUNION, BEARING	
33	188530	SNAP RING, 2 SHAFT	

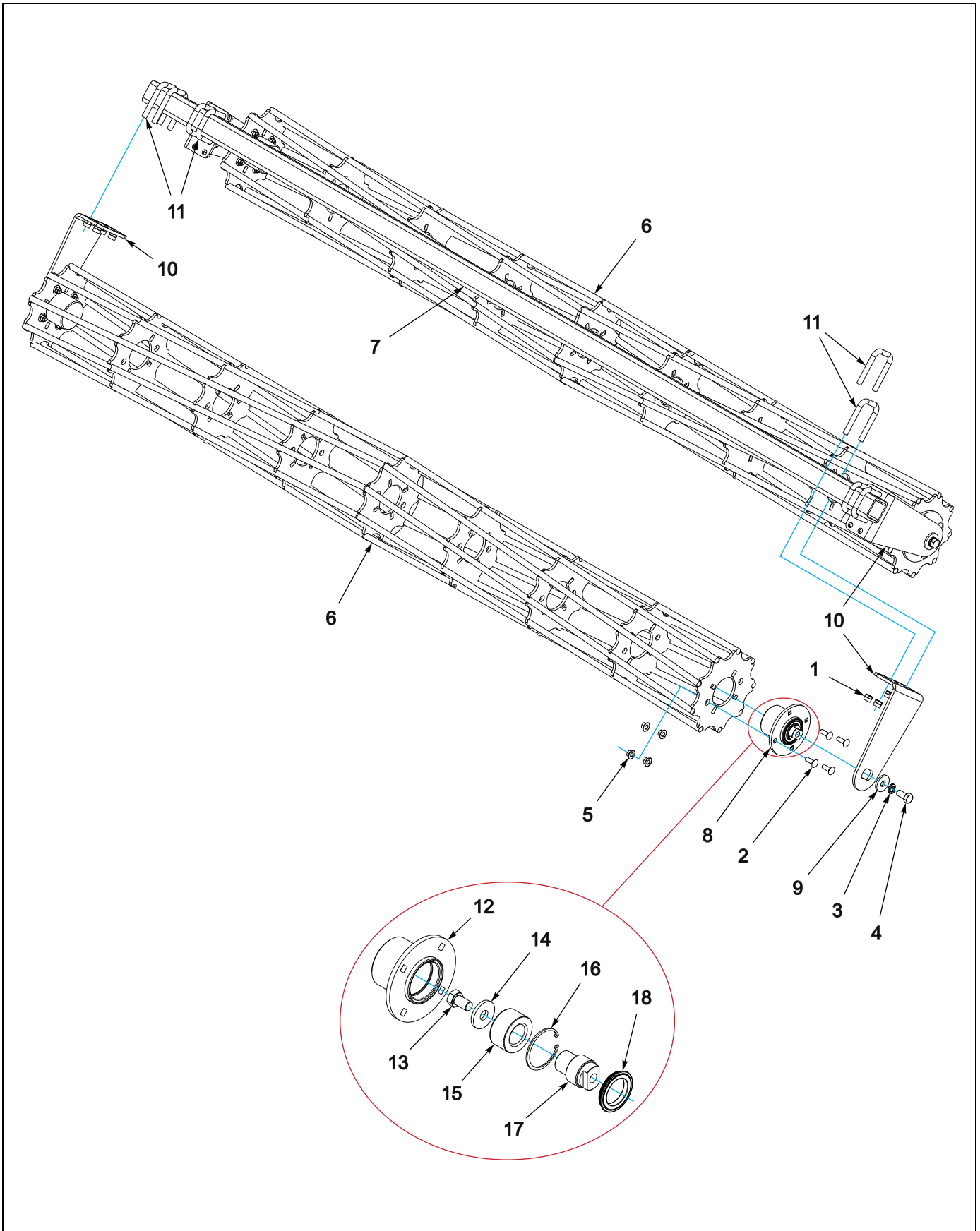


Figure 2-35: Double Round Reel Assembly

## DOUBLE ROUND REEL ASSEMBLY

ITEM	PART NO.	DESCRIPTION	QTY.										
	204416	DOUBLE REEL ASSY 135/150	*										
	204417	DOUBLE REEL ASSY, 75/75		*									
	204418	DOUBLE REEL ASSY, 90/90			*								
	204419	DOUBLE REEL ASSY, 105/105				*							
	204422	DOUBLE REEL ASSY, 120/120					*						
	204423	DOUBLE REEL ASSY, 75/75						*					
	204424	DOUBLE REEL ASSY, 90/90							*				
	204425	DOUBLE REEL ASSY, 105/105								*			
1	1-512-010005-13	DOUBLE REEL ASSY, 120/120	16	16	16	16	16	16	16	16	16	16	16
2	1-654-010070-03	SCREW RDHD SQNK1/2-13X1-1/2	16	16	16	16	16	16	16	16	16	16	16
3	1-861-010034-17	WASHER,LKG,HLCL SPR,3/4	4	4	4	4	4	4	4	4	4	4	4
4	108705	SCREW,HEXCAP,3/4-10X1-1/2 GR8	4	4	4	4	4	4	4	4	4	4	4
5	172509	NUT,1/2-13 WIDE FLNG TOP LCK F	16	16	16	16	16	16	16	16	16	16	16
6	176635	REEL WLDMT 12 DIA X 75	2	--	--	--	2	--	--	--	--	--	--
6	176636	REEL WLDMT 12 DIA X 90	--	2	--	--	--	2	--	--	--	--	--
6	176637	REEL WLDMT 12 DIA X 105	--	--	2	--	--	--	2	--	--	--	--
6	176638	REEL WLDMT 12 DIA X 120	--	--	--	-2	--	--	--	--	--	2	--
7	190955	GANG BAR, DOUBLE REEL 85L	1	--	--	--	1	--	--	--	--	--	--
7	190956	GANG BAR, DOUBLE REEL 100 L	--	1	--	--	--	1	--	--	--	--	--
7	190957	GANG BAR, DOUBLE REEL 115 L	--	--	1	--	--	--	1	--	--	--	--
7	190958	GANG BAR, DOUBLE REEL 130 L	--	--	--	1	--	--	--	--	--	1	--
8	200222	HUB ASSY REEL	4	4	4	4	4	4	4	4	4	4	4
9	200259	WASHER, 3/4 HEAVY - 2-1/4	4	4	4	4	4	4	4	4	4	4	4
10	204400	BEARING MOUNT, REEL	4	4	4	4	4	4	4	4	4	4	4
11	8-102-010012	U BOLT	8	8	8	8	8	8	8	8	8	8	8
12	200221	HUB WLDMT REEL	4	4	4	4	4	4	4	4	4	4	4
13	129263	SCREW HEX CAP 3/4-10 X 1-1/4	4	4	4	4	4	4	4	4	4	4	4
14	200259	WASHER, 3/4 HEAVY - 2-1/4	4	4	4	4	4	4	4	4	4	4	4
15	174526	BEARING, DOUBLE TAPER RLLR	4	4	4	4	4	4	4	4	4	4	4
16	174532	INTERNAL SNAP RING	4	4	4	4	4	4	4	4	4	4	4
17	200218	SPINDLE REEL BEARING	4	4	4	4	4	4	4	4	4	4	4
18	185757	SEAL, MAINT FREE HUB HSL	4	4	4	4	4	4	4	4	4	4	4

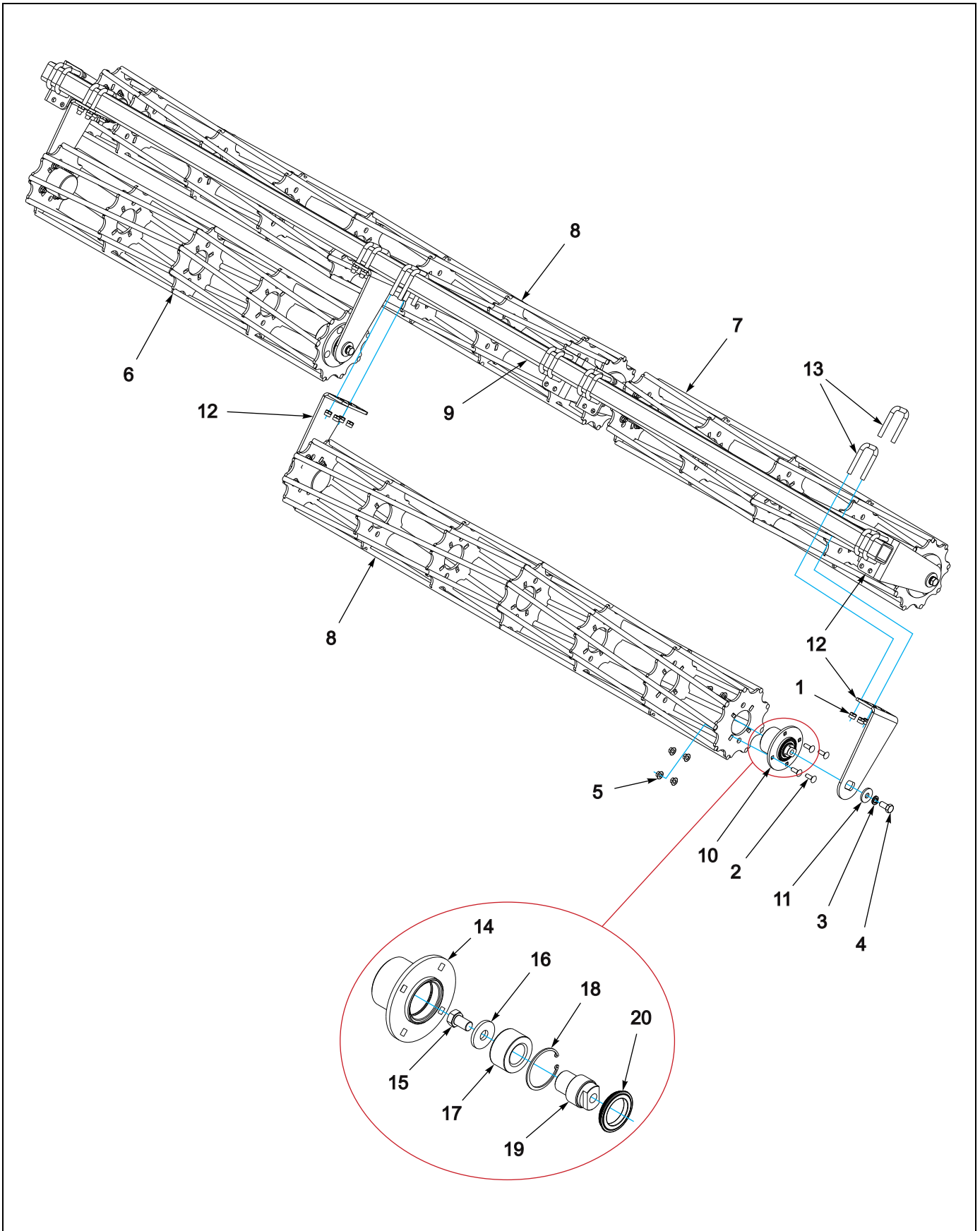


Figure 2-36: Double Reel Assembly Center

## DOUBLE REEL ASSEMBLY CENTER

ITEM	PART NO.	DESCRIPTION	QTY.
	204522	DOUBLE REEL ASSY 135/150	
1	1-512-010005-13	NUT,HEX SLFLKG GRB 5/8-11	32
2	1-654-010070-03	SCREW RDHD SQNK1/2-13X1-1/2	32
3	1-861-010034-17	WASHER,LKG,HLCL SPR,3/4	8
4	108705	SCREW,HEXCAP,3/4-10X1-1/2 GR8	8
5	172509	NUT,1/2-13 WIDE FLNG TOP LCK F	32
6	176633	REEL WLDMT 12 DIA X 45	1
7	176634	REEL WLDMT 12 DIA X 60	1
8	176636	REEL WLDMT 12 DIA X 90	2
9	191998	GANG BAR, DOUBLE REEL 174L	1
10	200222	HUB ASSY REEL	8
11	200259	WASHER, 3/4 HEAVY - 2-1/4	8
12	204400	BEARING MOUNT, REEL	8
13	8-102-010012	U BOLT	16
14	200221	HUB WLDMT REEL	4
15	129263	SCREW HEX CAP 3/4-10 X 1-1/4	4
16	200259	WASHER, 3/4 HEAVY - 2-1/4	4
17	174526	BEARING, DOUBLE TAPER RLLR	4
18	174532	INTERNAL SNAP RING	4
19	200218	SPINDLE REEL BEARING	4
20	185757	SEAL, MAINT FREE HUB HSL	4

## ILLUSTRATED PARTS LIST

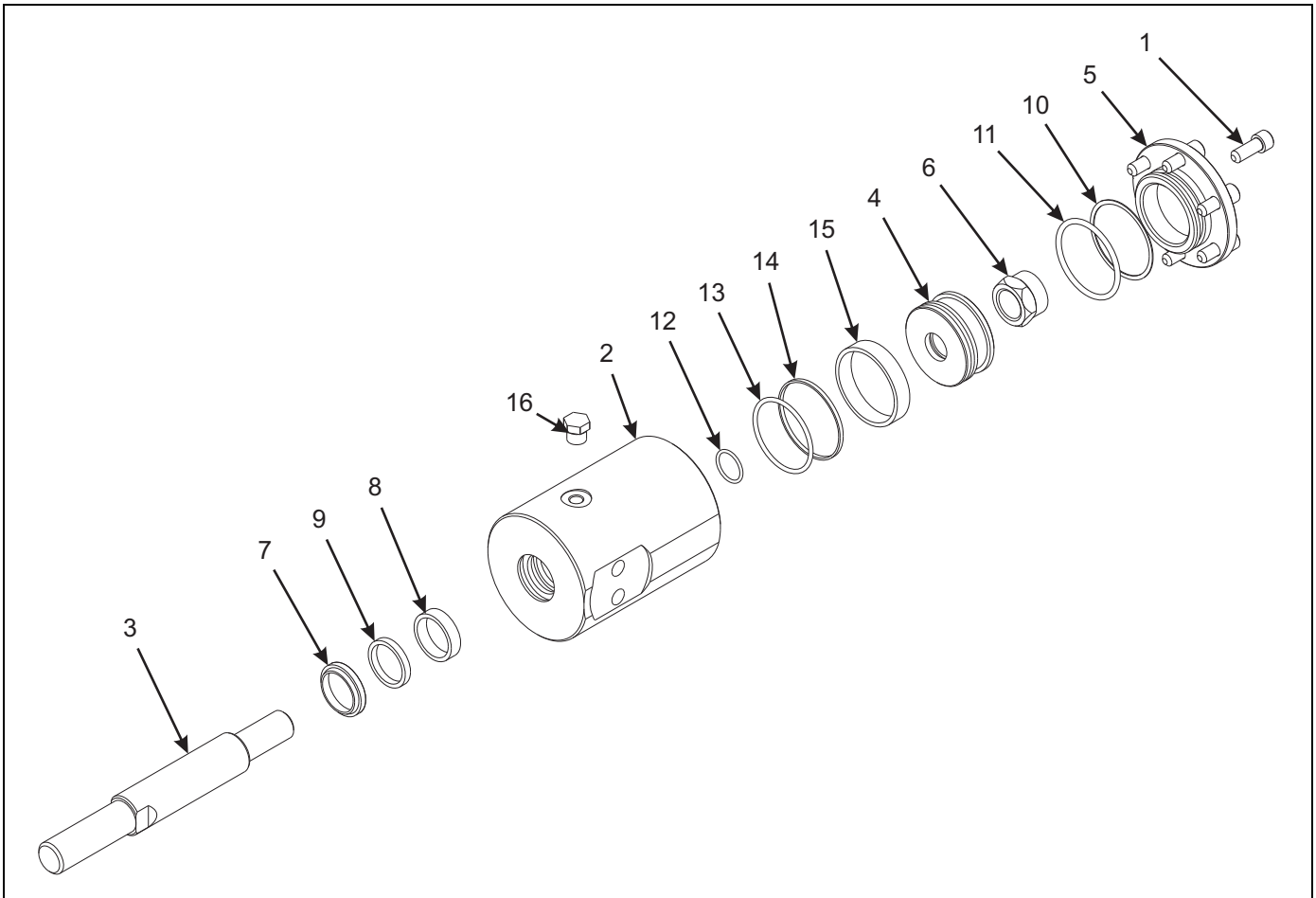


Figure 2-37: Cylinder - 2-1/2" X 1" (1" Thds)

### CYLINDER - 2-1/2" X 1" (1" THDS)

ITEM	PART NO.	DESCRIPTION	QTY.
	174720	CYLINDER ASM 2-1/2"X1" STROKE <b>(BEFORE 6-8-2017)</b>	
1	1-654-010104245	SCREW, HEX SOCKET 3/8-16 X 1	6
2	171077	CYLINDER, BARREL	1
3	171078	ROD 1-1/4 DIA <b>(1" THREADS)</b>	1
4	174719	PISTON, 2-1/2 BORE	1
5	171080	BASE CAP 2-1/2	1
6	171093	NUT, HEX LOCK 7/8-14 GRC	1
7	-----	WIPER, 1-1/4 ROD	1
8	-----	WEAR RING, 1-1/4 ROD	1
9	-----	U-CUP, 1-1/4 ROD	1
10	-----	BACK-UP RING, CAP	1
11	-----	O-RING, CAP	1
12	-----	O-RING, PISTON	1
13	-----	O-RING, PISTON	1
14	-----	SEAL, 2-1/2 PISTON	1
15	-----	WEAR RING, 2-1/2 PISTON	1
16	900598-6S	PLUG, O-RING 9/16-18	2
17	171081	SEAL KIT <b>(NOT SHOWN) (INCLUDES ITEMS 7 - 15)</b>	



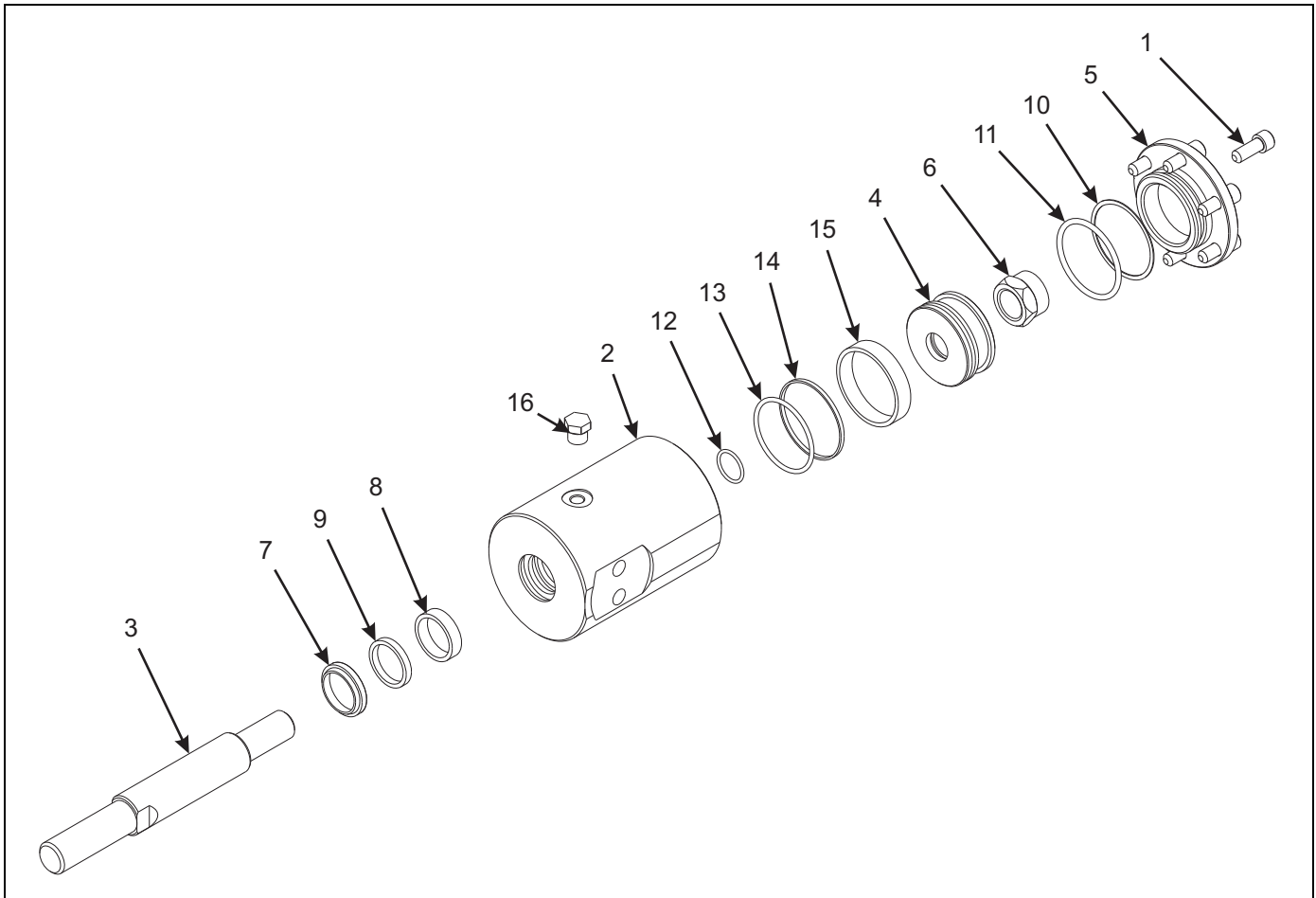


Figure 2-38: Cylinder - 2-1/2" X 1" (1-1/8" Thds)

### CYLINDER - 2-1/2" X 1" (1-1/8" THDS)

ITEM	PART NO.	DESCRIPTION	QTY.
	206670	CYL ASM 2-1/2X1 ST 1-1/8 THDS (AFTER 6-8-2017)	
1	1-654-010104245	SCREW, HEX SOCKET 3/8-16 X 1	6
2	171077	CYLINDER, BARREL	1
3	206599	ROD, 1-1/4 1-1/8" THD	1
4	171079	PISTON, 2-1/2	1
5	171080	BASE CAP 2-1/2	1
6	171093	NUT, HEX LOCK 7/8-14 GRC	1
7	-----	WIPER, 1-1/4 ROD	1
8	-----	WEAR RING, 1-1/4 ROD	1
9	-----	U-CUP, 1-1/4 ROD	1
10	-----	BACK-UP RING, CAP	1
11	-----	O-RING, CAP	1
12	-----	O-RING, PISTON	1
13	-----	O-RING, PISTON	1
14	-----	SEAL, 2-1/2 PISTON	1
15	-----	WEAR RING, 2-1/2 PISTON	1
16	900598-6S	PLUG, O-RING 9/16-18	2
17	171081	SEAL KIT (NOT SHOWN) (INCLUDES ITEMS 7 - 15)	

# ILLUSTRATED PARTS LIST

7-PIN CONN	4-PIN TOWER	CIRCUIT	WIRE COLOR
1	D	GROUND	GROUND
2		WORK LAMPS	BLACK
3	B	LEFT FLASHING & TURN	YELLOW
4		STOP LAMPS	RED
5	A	RIGHT FLASHING & TURN	GREEN
6	C	TAIL LAMPS	BROWN
7		SWITCHED POWER (12V)	BLUE

	1	2	3	4	5
	2-PIN TOWER	3-PIN TOWERS	6-PIN SHROUD	3-PIN TOWER	2-PIN TOWER
BLACK LEFT TURN			A	C	
WHITE GROUND	A	A	B	A	A
BROWN TAIL LIGHT		B	C	B	
YELLOW LEFT TURN			D		B
GREEN RIGHT TURN	B		E		
RED RIGHT TURN		C	F		

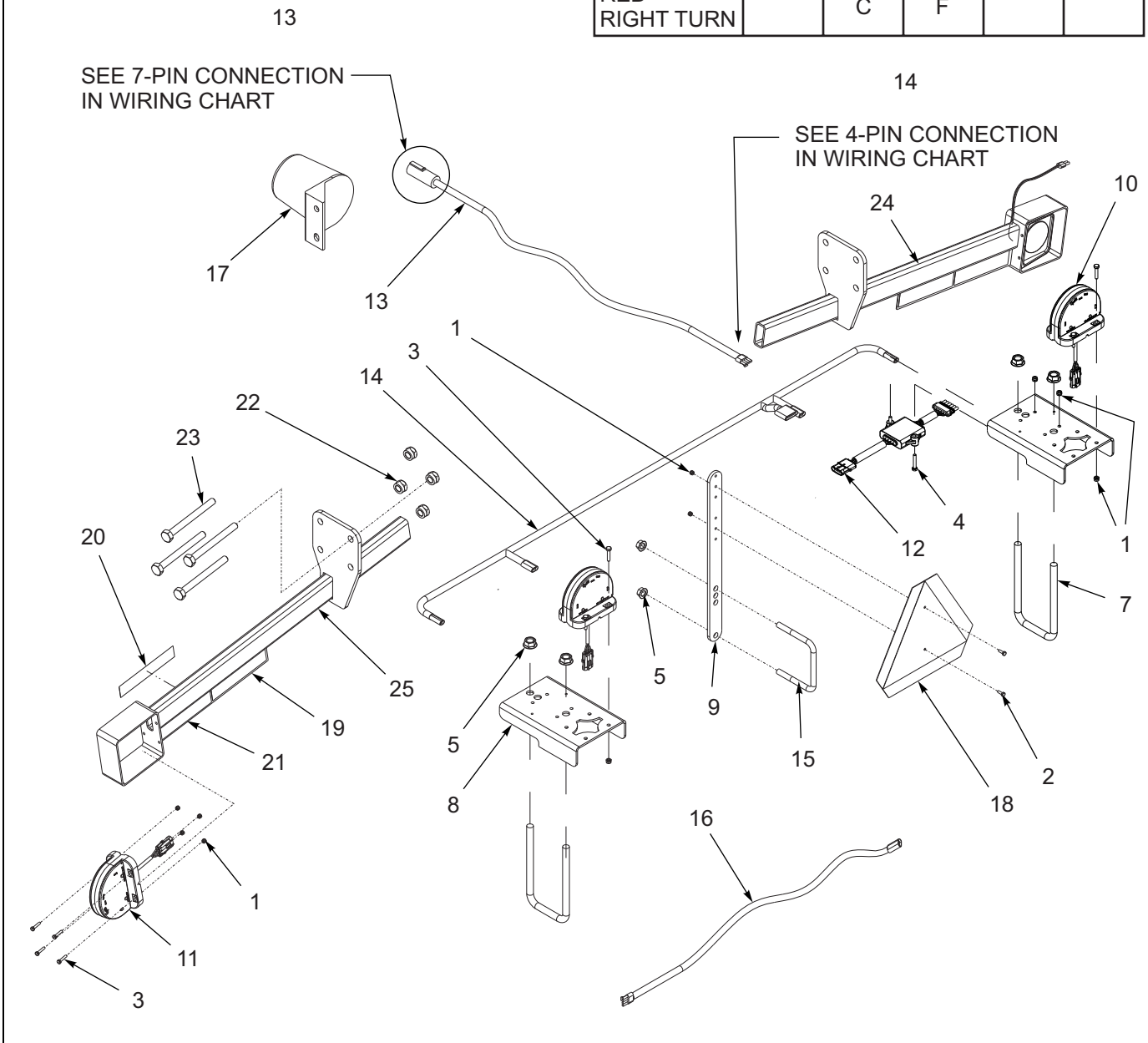
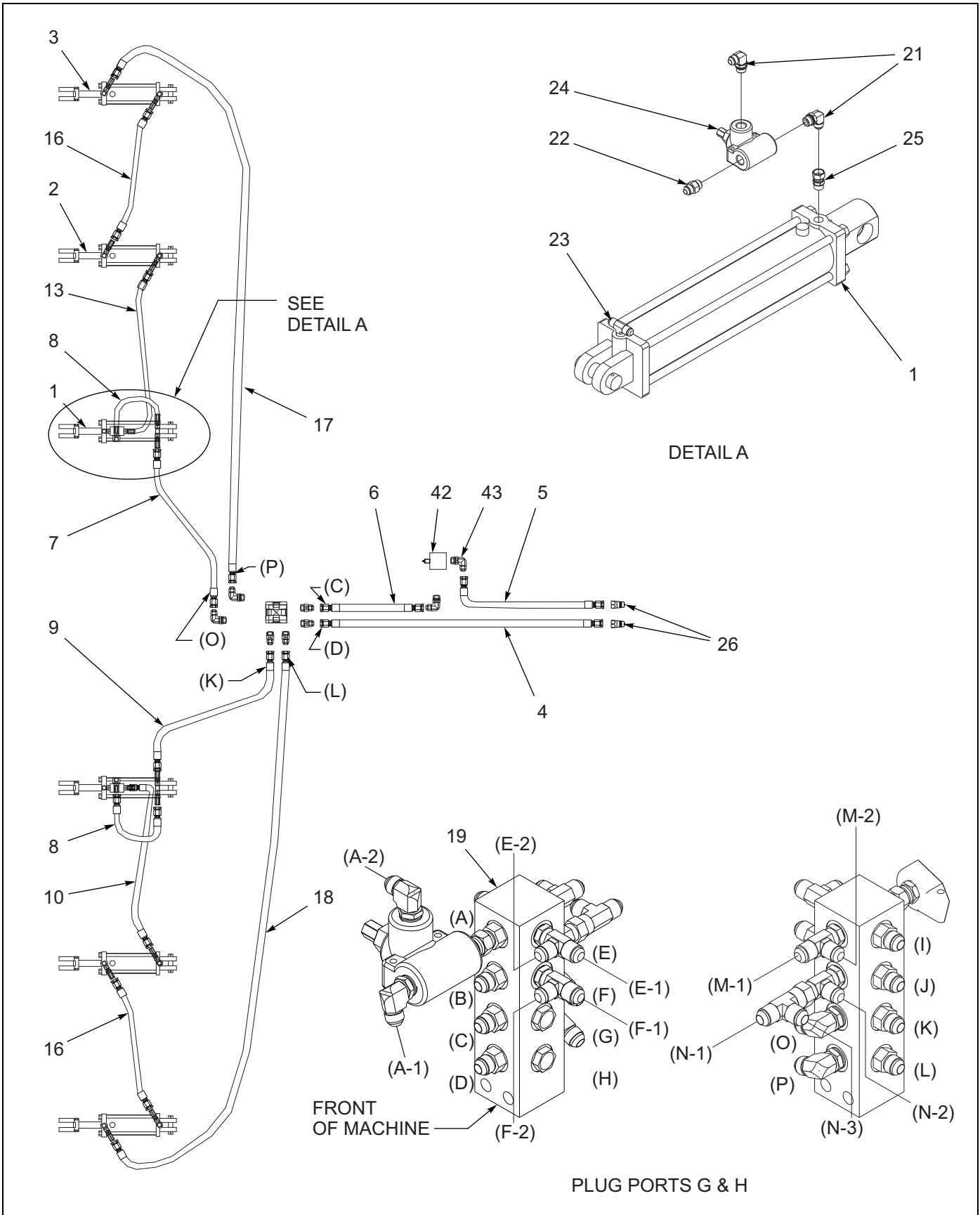


Figure 2-39: Electrical Assembly

## ELECTRICAL ASSEMBLY

ITEM	PART NO.	DESCRIPTION	QTY.
	177035	LIGHT KIT	
1	1-512-010005-01	NUT, HEX LOCK 1/4-20 GRB	20
2	1-654-010047-04	SCREW, HEX HEAD CAP 1/4-20 X 3/4 GR5	2
3	1-654-010047-07	SCREW, HEX HEAD CAP 1/4-20 X 1-1/4 GR5	16
4	1-654-010047-08	SCREW, HEX HEAD CAP 1/4-20 X 1-1/2 GR5	2
5	100827	NUT, FLANGE HEAD SERRATED 5/8-11	6
6	105874	TIE SELF LOCKING 19" <b>(NOT SHOWN)</b>	15
7	157648	U-BOLT, HYDRAULIC MOUNT	2
8	164138	MOUNT, TAIL LIGHT	2
9	164142	BRACKET MOUNTING, SMV	1
10	174435	LAMP, AG RED SINGLE LED	2
11	174436	LAMP, AG AMBER SINGLE LED	2
12	174437	MODULE, AG FLASHER CONTROL	1
13	174438	HARNESS, MAIN WARNING LIGHTS	1
14	174439	HARNESS, REAR WARNING LIGHTS	1
15	2-102-010032	U-BOLT	1
16	2-368-010273	HARNESS, 34" EXTENSION	2
17	2-368-010287	HARNESS, STOR-AWAY	1
18	70260977	SMV EMBLEM	1
19	528933	REFLECTOR, RED	2
20	528934	REFLECTOR, YELLOW	2
21	528938	STRIPE, ORANGE	2
22	1-512-010005-15	NUT, HEX LOCK 3/4-10 GRB	REF
23	W908409-4	SCREW, HEX HEAD CAP 3/4-10 X 6 GR5	REF
24	165268	BRACKET WELDMENT, RH W/ REFLECTORS <b>(INCL. ITEMS 19-21)</b>	1
25	165269	BRACKET WELDMENT, LH W/ REFLECTORS <b>(INCL. ITEMS 19-21)</b>	1

**ILLUSTRATED PARTS LIST**



**Figure 2-40: Lift Hydraulic Assembly (39')**

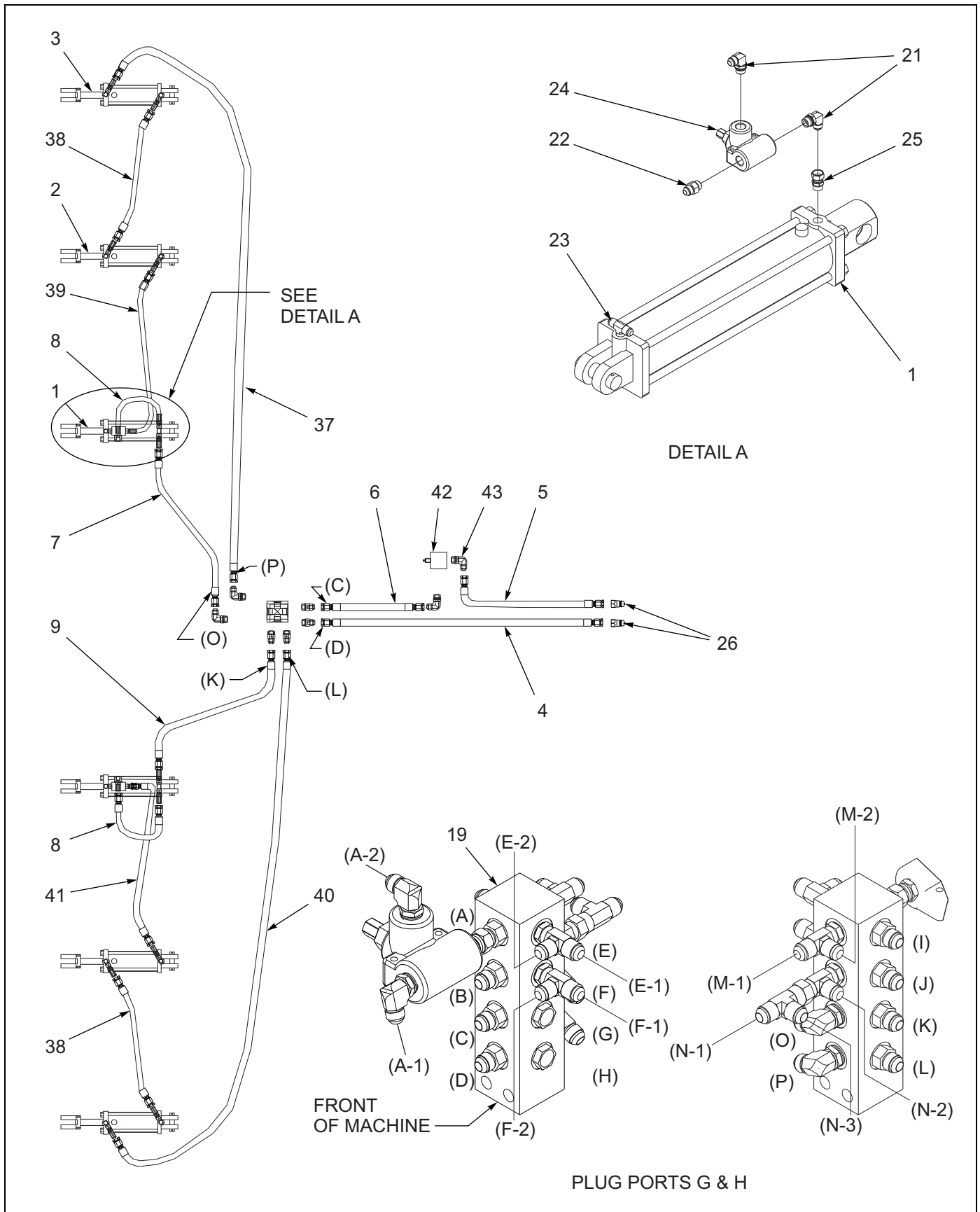
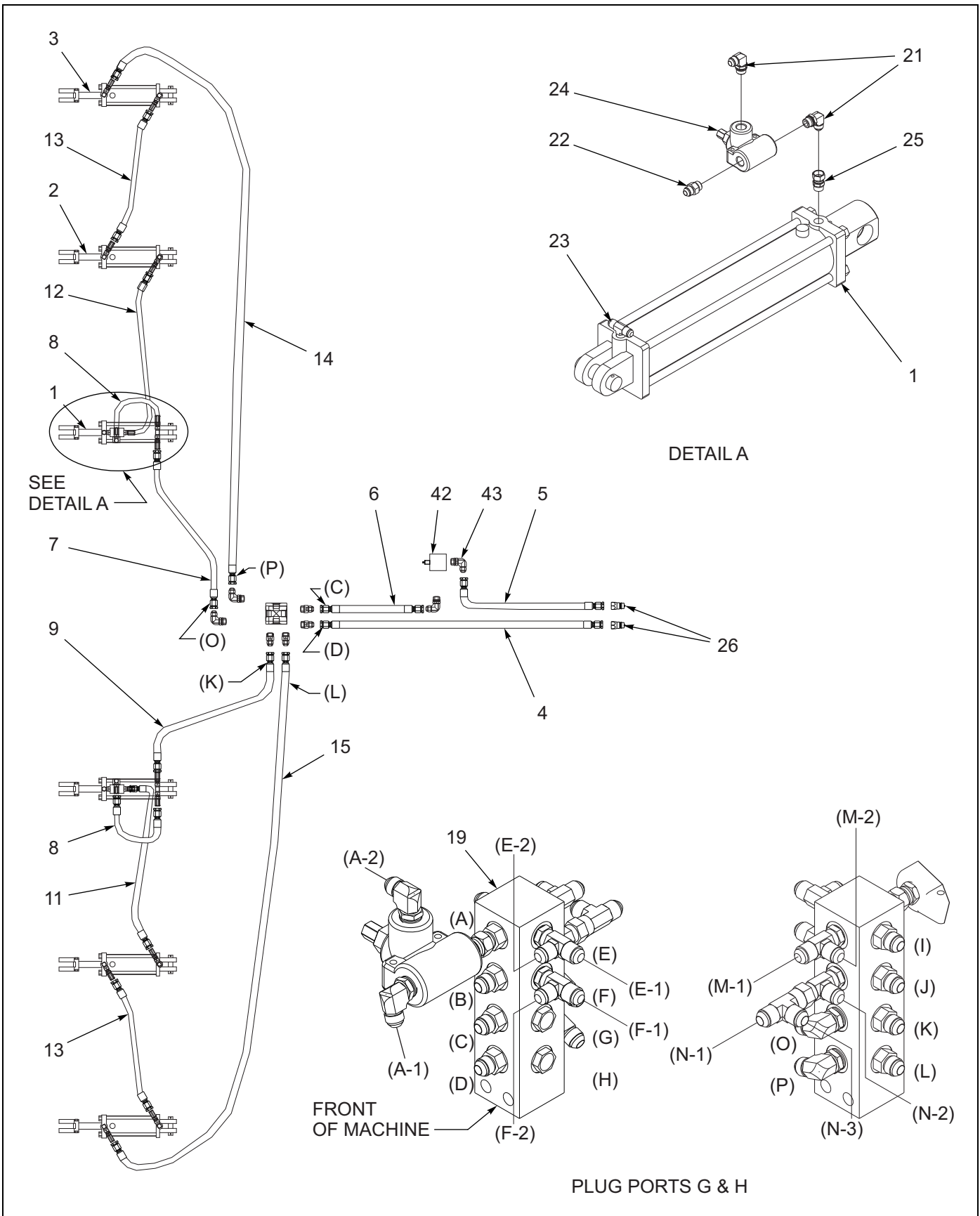


Figure 2-41: Lift Hydraulic Assembly (44')

**ILLUSTRATED PARTS LIST**

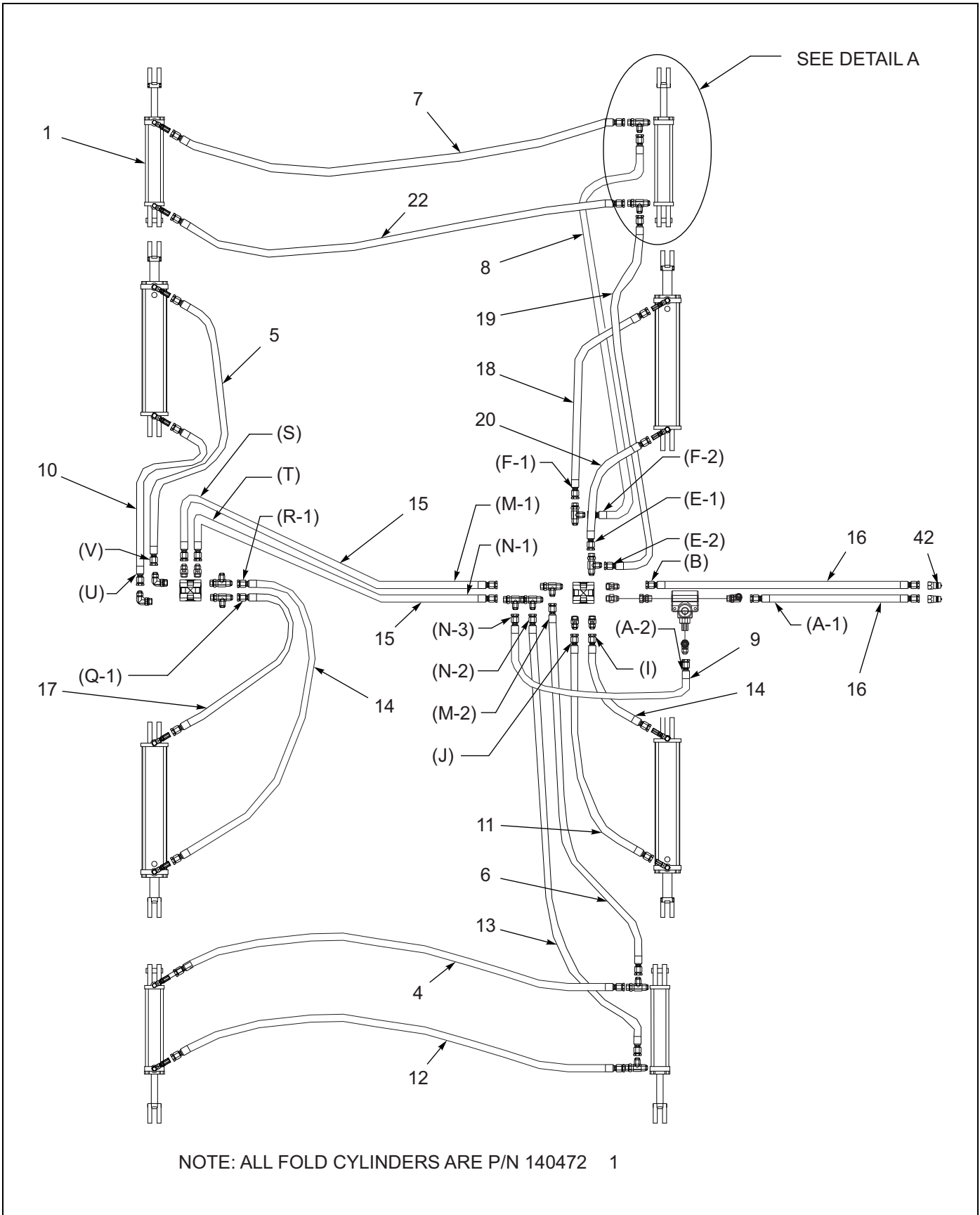


**Figure 2-42: Lift Hydraulic Assembly (49')**

## LIFT HYDRAULIC ASSEMBLY

ITEM	PART NO.	DESCRIPTION	QTY.
	165284	HYDRAULIC KIT (INCL. ITEMS 14-35)	
	166715	HOSE KIT (49') (INCL. ITEMS 4-9, 11-15)	
	166714	HOSE KIT (44') (INCL. ITEMS 4-9, 37 - 41)	
	165285	HOSE KIT (39') (INCL. ITEMS 4-9, 10, 13, 16 - 18)	
1	146824	CYLINDER, 4-1/2 X 16 REPHASE <b>(SEE PAGE 2-90)</b>	
2	146825	CYLINDER, 4 X 16 REPHASE <b>(SEE PAGE 2-89)</b>	
3	163700	CYLINDER, 3-3/4 X 16 REPHASE <b>(SEE PAGE 2-93)</b>	
4	168892	HOSE ASSEMBLY, 1/2 X 271	
5	180020	HOSE ASSEMBLY, 1/2 X 230	
6	124132	HOSE ASSEMBLY, 1/2 X 49	
7	147123	HOSE ASSEMBLY, 3/8 X 31	
8	147582	HOSE ASSEMBLY, 3/8 X 24	
9	116491	HOSE ASSEMBLY, 3/8 X 96	
10	116434	HOSE ASSEMBLY, 3/8 X 120	
11	116435	HOSE ASSEMBLY, 3/8 X 146	
12	153620	HOSE ASSEMBLY, 3/8 X 140	
13	1422176	HOSE ASSEMBLY, 3/8 X 116	
14	116437	HOSE ASSEMBLY, 3/8 X 267	
15	166978	HOSE ASSEMBLY, 3/8 X 340	
16	71508987	HOSE ASSEMBLY, 3/8 X 86	
17	153621	HOSE ASSEMBLY, 3/8 X 212	
18	164308	HOSE ASSEMBLY, 3/8 X 285	
19	167557	MANIFOLD ASSEMBLY, FRONT <b>(SEE PAGE 2-84)</b>	
20	141275	BRACKET, HOSE CLAMP <b>(NOT SHOWN)</b>	
21	2062-8-8S	ADAPTER, 90	
22	202702-8-8S	ADAPTER	
23	203003-8-8S	ADAPTER, TEE	
24	165287	VALVE, RELIEF 1000 PSI	
25	102-1130	FITTING, STR SWIVEL	
26	141828	COUPLER, MALE 3/4-16	
27	141854	BRACKET, MANIFOLD MOUNT	
28	155528	HOSE WRAP, BLUE <b>(USED TO WRAP LIFT HOSES) (NOT SHOWN)</b>	
29	1-512-010005-05	NUT, HEX LOCK 3/8-16 GRB <b>(NOT SHOWN)</b>	
30	1-512-010005-09	NUT, HEX LOCK 1/2-13 GRB	
31	1-654-010051-11	SCREW, HEX HEAD CAP 3/8-16 X 2-1/2 GR5	
32	1-654-010055-11	SCREW, HEX HEAD CAP 1/2-13 X 3-1/2 GR5	
33	1-654-010070-04	SCREW, RD HEAD SQ NECK 1/2-13 X 1-3/4	
34	1-861-010032-11	WASHER, FLAT 3/8W	
35	124971	NUT, HEX FLANGE SPIRALOCK 1/2-13	
36	*2-573-010149	DECAL, SLAVE	
37	71510821	HOSE ASSEMBLY, 3/8 X 244	
38	139213	HOSE ASSEMBLY, 3/8 X 105	
39	137600	HOSE ASSEMBLY, 3/8 X 130	
40	116493	HOSE ASSEMBLY, 3/8 X 312	
41	141881	HOSE ASSEMBLY, 3/8 X 136	
42	140693	VALVE, LIMIT	
43	2062-8-8S	ADAPTER, 90	

**ILLUSTRATED PARTS LIST**



**Figure 2-43: Fold Hydraulic Assembly (39°)**



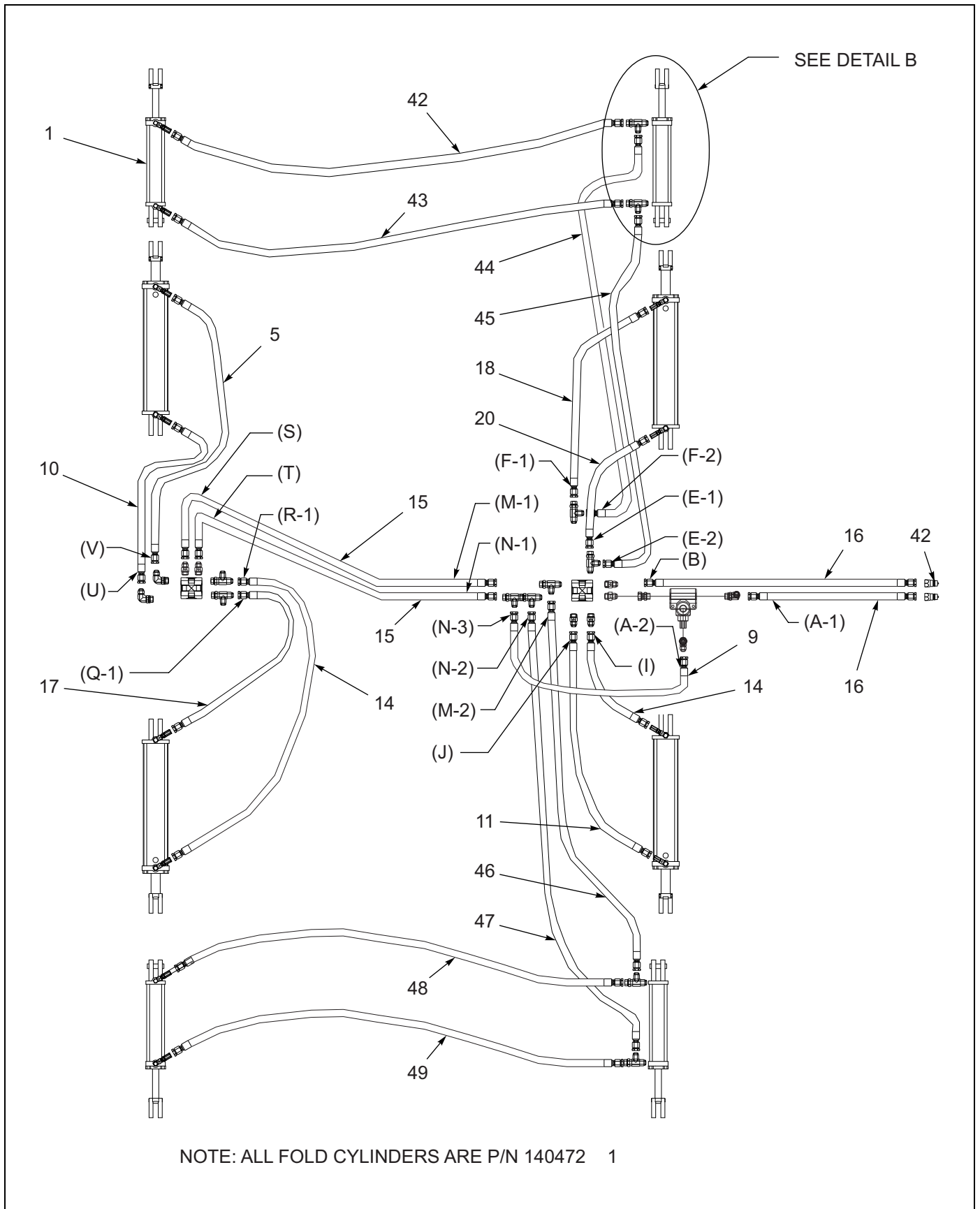
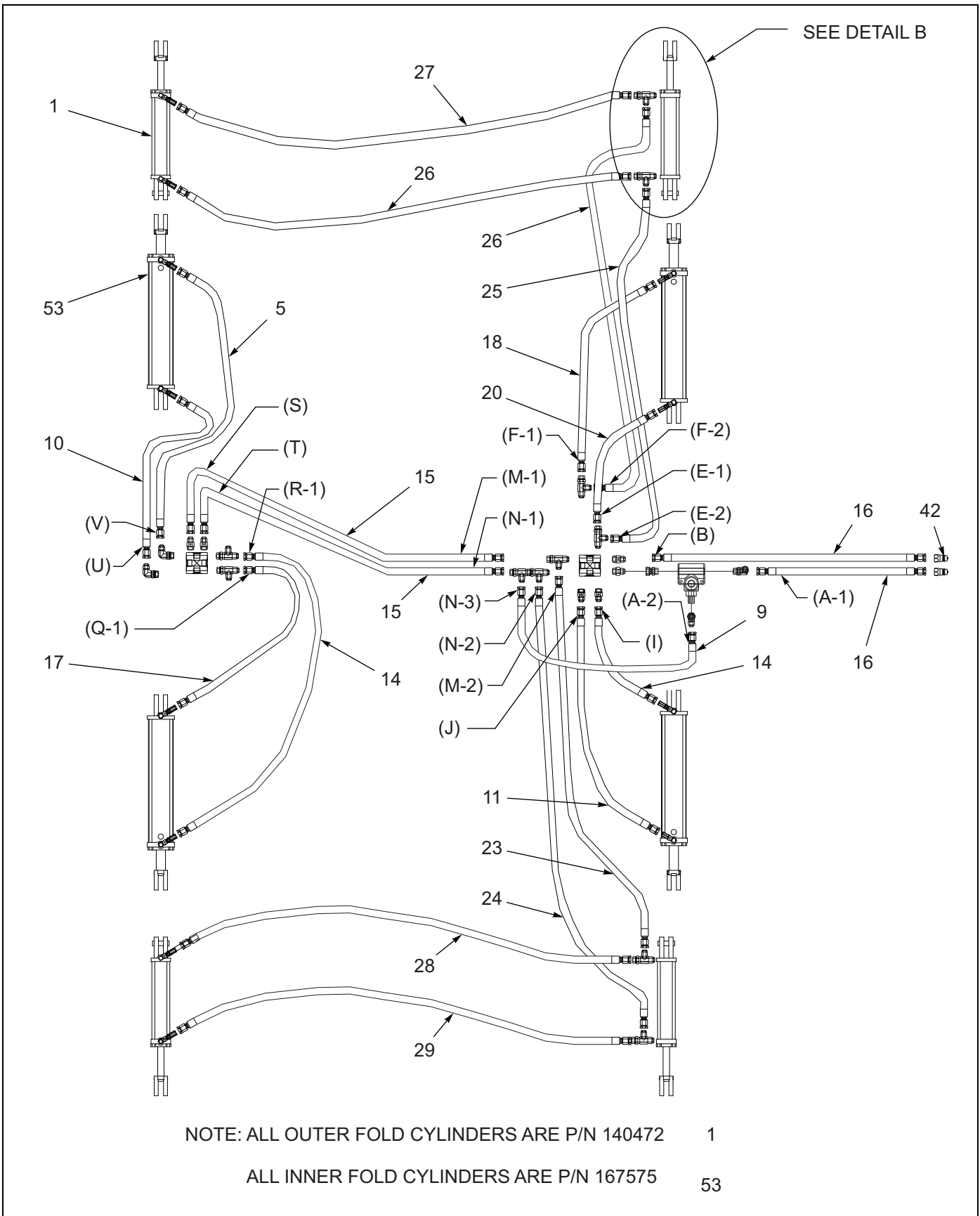


Figure 2-44: Fold Hydraulic Assembly (44')

**ILLUSTRATED PARTS LIST**



**Figure 2-45: Fold Hydraulic Assembly (49°)**

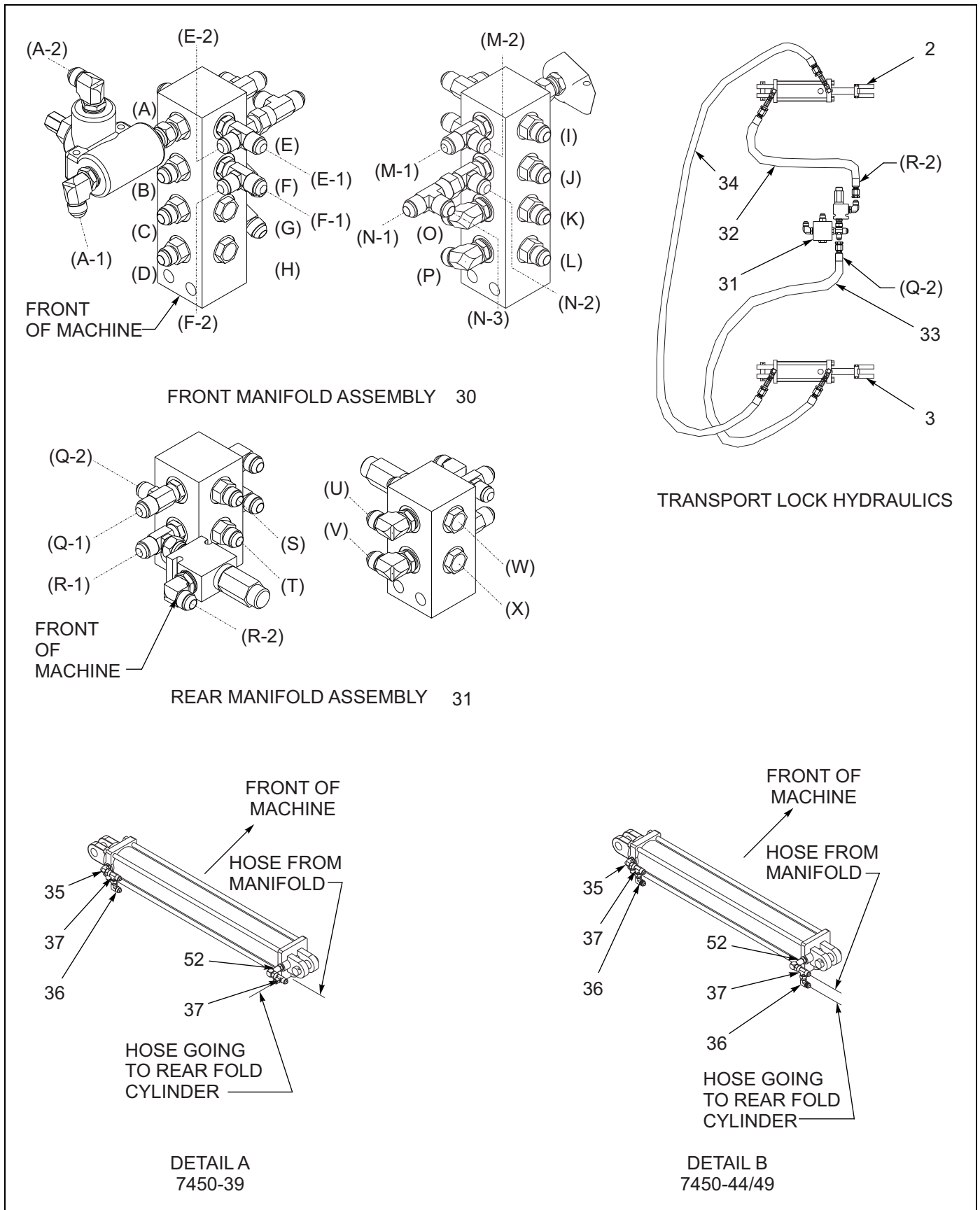


Figure 2-46: Fold Hydraulic Assembly Details

**FOLD HYDRAULIC ASSEMBLY**

<b>ITEM</b>	<b>PART NO.</b>	<b>DESCRIPTION</b>	<b>QTY.</b>
	165284	HYDRAULIC KIT (INCL. ITEMS 30-31, 36-39)	
	166715	HOSE KIT (49') (INCL. ITEMS 5, 9-11, 14-18, 20, 23-29, 32-34)	
	166714	HOSE KIT (44') (INCL. ITEMS 5, 9-11, 14-18, 20, 42-49)	
	165285	HOSE KIT (39') (INCL. ITEMS 4-20, 22)	
1	140472	CYLINDER 4 X 30 1-1/2 ROD (SEE PAGE 2-91)	
2	145203	CYLINDER, HYDRAULIC 3-1/2 X 8 (SEE PAGE 2-88)	
3	145204	CYLINDER, HYDRAULIC 3-1/4 X 8 (SEE PAGE 2-87)	
4	116434	HOSE ASSEMBLY, 3/8 X 120	
5	116489	HOSE ASSEMBLY, 3/8 X 64	
6	117260	HOSE ASSEMBLY, 3/8 X 156	
7	122911	HOSE ASSEMBLY, 3/8 X 168	
8	137600	HOSE ASSEMBLY, 3/8 X 130	
9	137601	HOSE ASSEMBLY, 3/8 X 20	
10	137602	HOSE ASSEMBLY, 3/8 X 27	
11	139213	HOSE ASSEMBLY, 3/8 X 105	
12	141864	HOSE ASSEMBLY, 3/8 X 175	
13	141883	HOSE ASSEMBLY, 3/8 X 190	
14	147583	HOSE ASSEMBLY, 3/8 X 72	
15	156945	HOSE ASSEMBLY, 3/8 X 100	
16	147588	HOSE ASSEMBLY, 3/8 X 276	
17	71508982	HOSE ASSEMBLY, 3/8 X 36	
18	71508984	HOSE ASSEMBLY, 3/8 X 42	
19	116491	HOSE ASSEMBLY, 3/8 X 96	
20	147582	HOSE ASSEMBLY, 3/8 X 24	
21	147583	HOSE ASSEMBLY, 3/8 X 72	
22	1422176	HOSE ASSEMBLY, 3/8 X 116	
23	150273	HOSE ASSEMBLY, 3/8 X 185	
24	160693	HOSE ASSEMBLY, 3/8 X 222	
25	116492	HOSE ASSEMBLY 3/8 X 128	
26	141889	HOSE ASSEMBLY, 3/8 X 159	
27	71600088	HOSE ASSEMBLY, 3/8 X 228	
28	159569	HOSE ASSEMBLY, 3/8 X 161	
29	167556	HOSE ASSEMBLY, 3/8 X 232	
30	167557	MANIFOLD ASSEMBLY, FRONT (SEE PAGE 2-84)	
31	167558	MANIFOLD ASSEMBLY, REAR (SEE PAGE 2-85)	
32	116432	HOSE ASSEMBLY, 3/8 X 60	
33	116490	HOSE ASSEMBLY, 3/8 X 78	
34	141881	HOSE ASSEMBLY, 3/8 X 136	
35	141826	ELBOW 90 W/ 1/16 RESTRICTOR	
36	2071-8-8S	ADAPTER, 90	
37	203102-8-8S	ADAPTER, TEE SWIVEL	
38	2062-8-8S	ADAPTER, 90	
39	155529	HOSE WRAP, YELLOW (USED TO WRAP WING FOLD HOSES) (NOT SHOWN)	
40	144117	CYLINDER ASSEMBLY W/ FITTINGS, 4 X 30 (INCL ITEMS 1, 35,38)	
41	141828	COUPLER, MALE 3/4-16	
42	141883	HOSE ASSEMBLY, 3/8 X 190	
43	137598	HOSE ASSEMBLY, 3/8 X 123	
44	116435	HOSE ASSEMBLY, 3/8 X 146	

**FOLD HYDRAULIC ASSEMBLY**

<b>ITEM</b>	<b>PART NO.</b>	<b>DESCRIPTION</b>	<b>QTY.</b>
45	166171	HOSE ASSEMBLY, 3/8 X 114	
46	122911	HOSE ASSEMBLY, 3/8 X 168	
47	141882	HOSE ASSEMBLY, 3/8 X 206	
48	116492	HOSE ASSEMBLY, 3/8 X 128	
49	71509000	HOSE ASSEMBLY, 3/8 X 202	
50	141275	BRACKET, HOSE CLAMP <b>(NOT SHOWN)</b>	
51	2-181-010001	HOSE CLAMP <b>(NOT SHOWN)</b>	
52	1400548	ELBOW, EXTRA LONG	
53	167575	CYLINDER, 4-1/2 X 30 2" DIA ROD <b>(SEE PAGE 2-92)</b>	

## ILLUSTRATED PARTS LIST

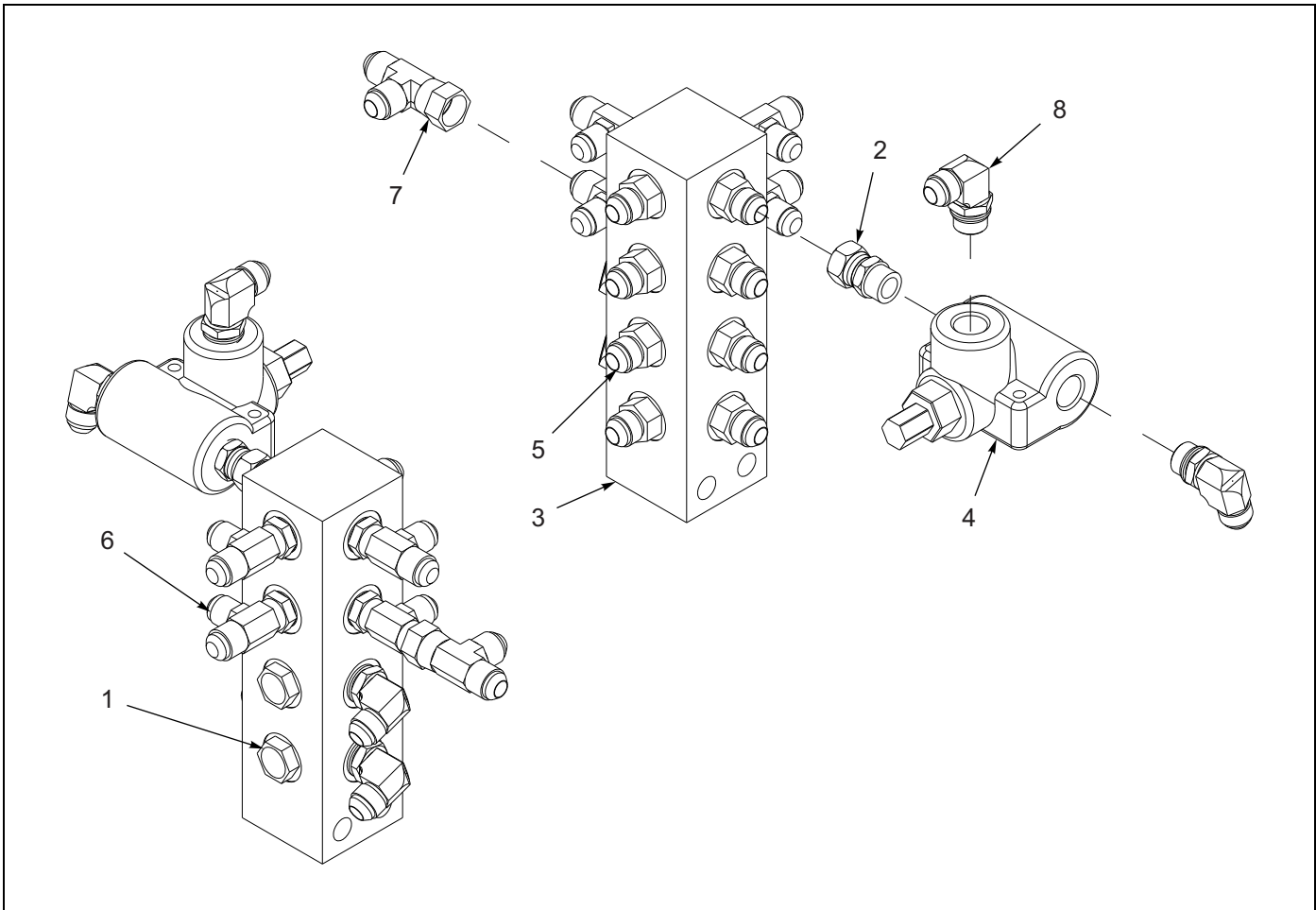


Figure 2-47: Front Manifold Assembly

## FRONT MANIFOLD ASSEMBLY

ITEM	PART NO.	DESCRIPTION	QTY.
	167557	FRONT MANIFOLD ASSEMBLY	
1	1-007-010025	PLUG, 3/4-16	2
2	102-1130	FITTING, STR SWIVEL	1
3	141594	MANIFOLD, HYDRAULIC 16 PORT	1
4	165287	VALVE, RELIEF 1000 PSI	1
5	202702-8-8S	ADAPTER	8
6	203005-8-8S	ADAPTER, TEE	4
7	203102-8-8S	ADAPTER, TEE SWIVEL	1
8	2062-8-8S	ADAPTER, 90	4

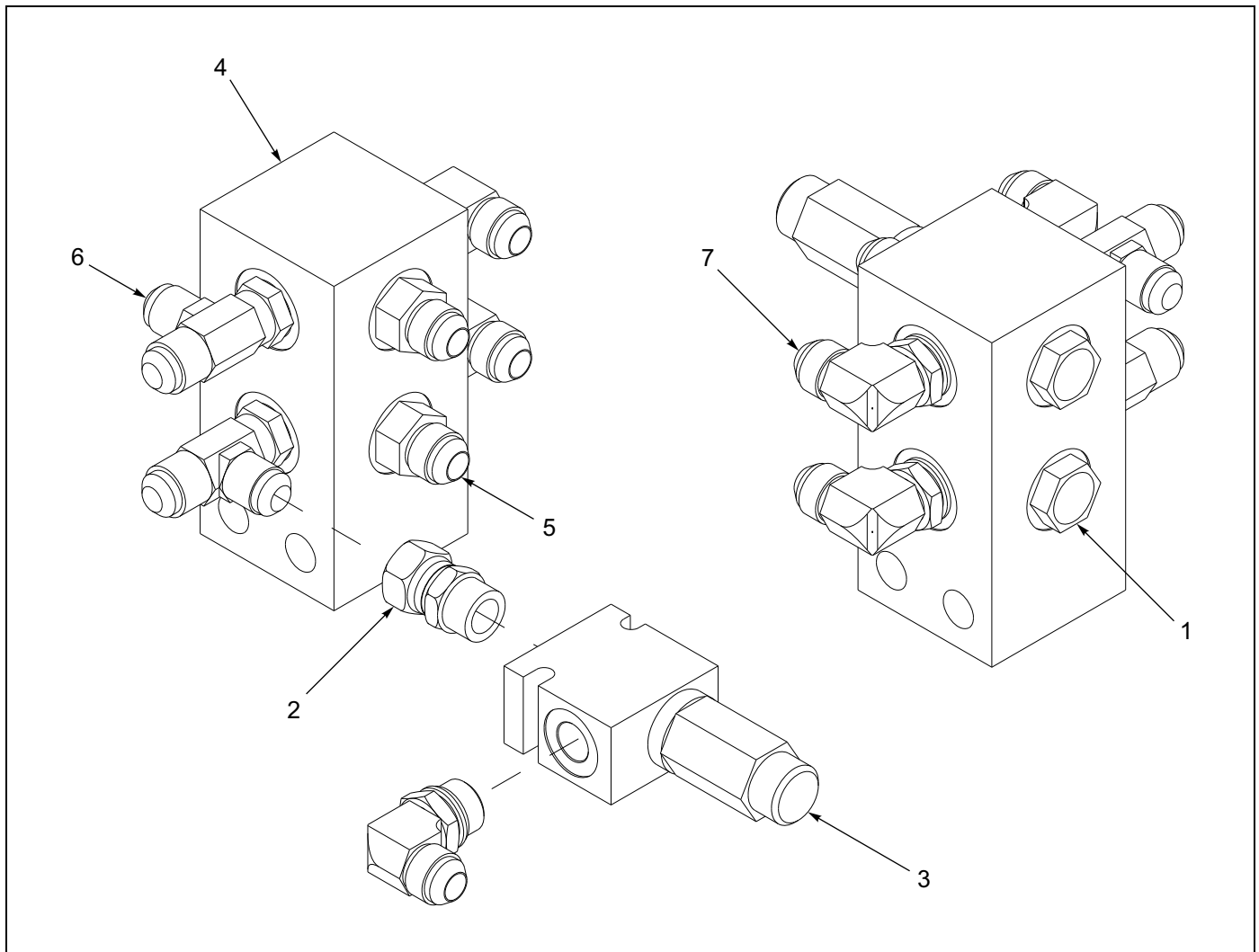


Figure 2-48: Rear Manifold Assembly

## REAR MANIFOLD ASSEMBLY

ITEM	PART NO.	DESCRIPTION	QTY.
	167558	PLUG, 3/4-16 O-RING BOSS	
1	1-007-010025	FTG,STR 8M ORING X 8F JIC SW	2
2	102-1130	VALVE,RELIEF PILOT OP W/REV CK	1
3	193149	MANIFOLD HYDR ASSY, 8 HOSE	1
4	2-474-010022	ADAPTER #8 O-RING TO #8 TUBE	1
5	202702-8-8S	ADAPTER,TEE,#8 O-RING-TUBE	2
6	203005-8-8S	ADAPTER, 90, #8 O-RING-TUBE	2
7	2062-8-8S	PLUG, 3/4-16 O-RING BOSS	2

## ILLUSTRATED PARTS LIST

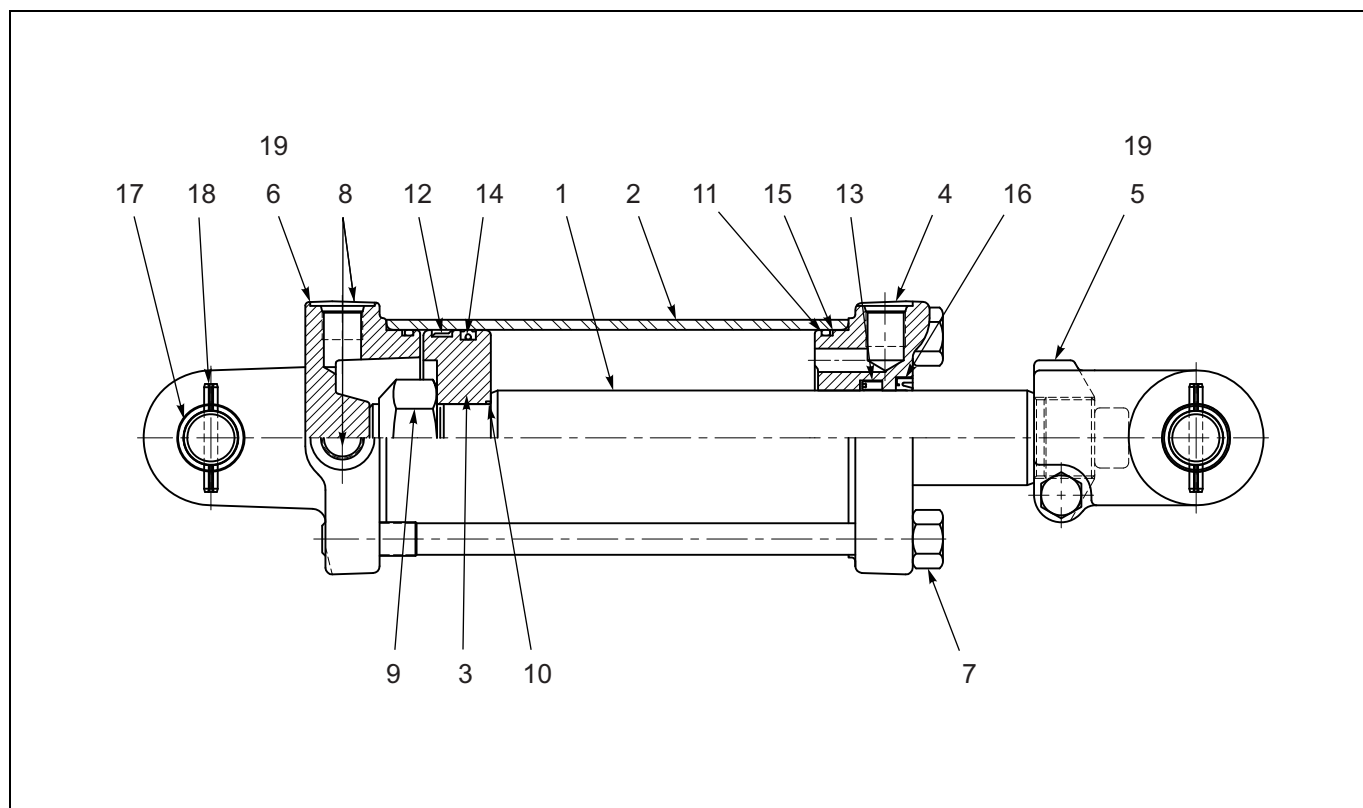


Figure 2-49: Cylinder Assembly- 4 X 8

## CYLINDER ASSEMBLY - 4 X 8

ITEM	PART NO.	DESCRIPTION	QTY.
	148387	CYLINDER, HYDRAULIC 4 X 8	
1	147372	PISTON ROD	1
2	-----	TUBE	1
3	-----	PISTON	1
4	152638	GLAND	1
5	142110	CLEVIS	1
6	-----	BUTT	1
7	-----	TIEROD ASSEMBLY	4
8	-----	PORT PLUG	3
9	-----	LOCK NUT 1-1/4-12	1
10	---	O-RING	1
11	---	O-RING	2
12	---	BEARING RING	1
13	---	U-CUP	1
14	---	CROWN SEAL	1
15	---	BU-WASHER	2
16	---	WIPER	1
17	143994	CLEVIS PIN	2
18	111789	ROLL PIN	4
19	142112	BUSHING	4
	152640	SEAL KIT (NOT SHOWN) (INCLUDES ITEMS 10 - 16)	



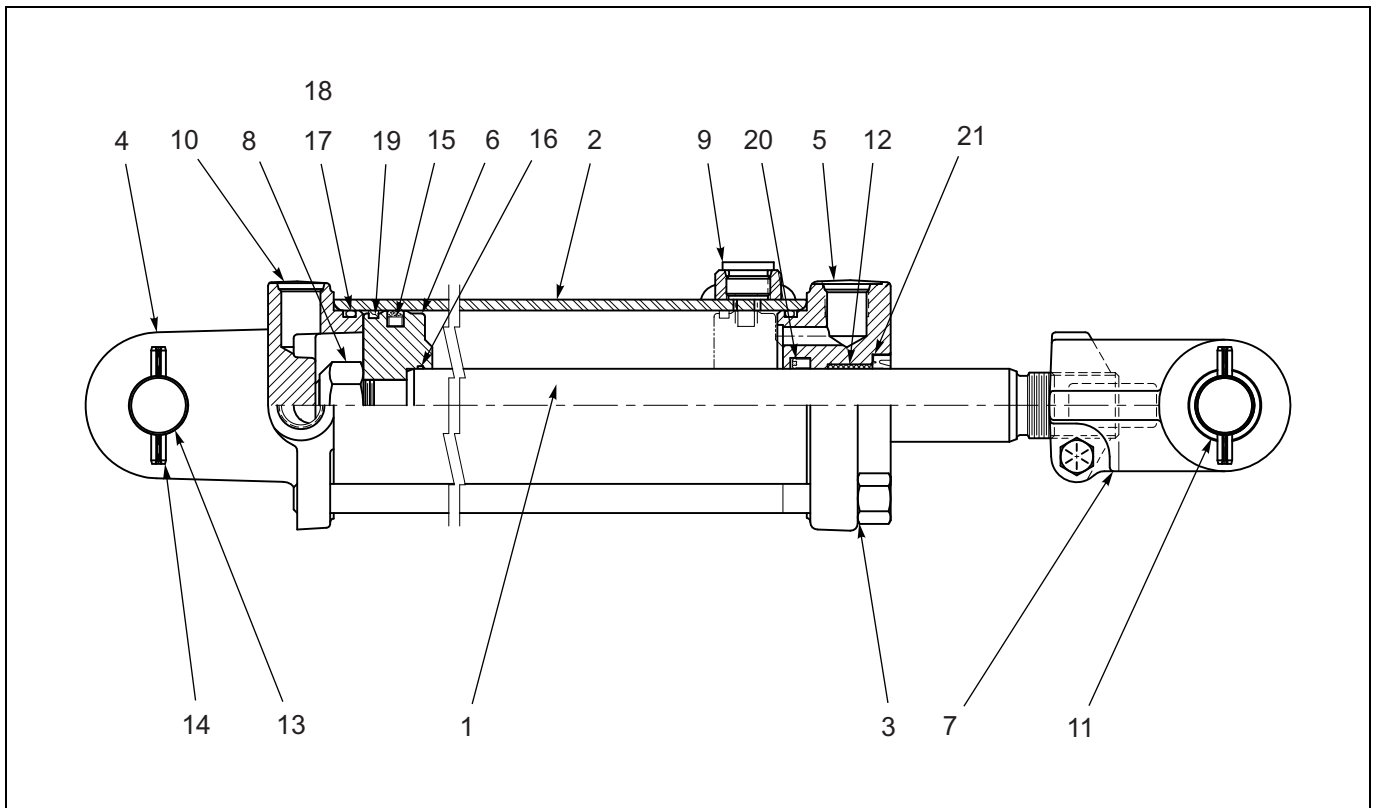


Figure 2-50: Cylinder - Rephase Assembly - 3-1/4 X 8

## CYLINDER - REPHASE ASSEMBLY - 3-1/4 X 8

ITEM	PART NO.	DESCRIPTION	QTY.
	145204	CYLINDER 3-1/4 X 8 REPHASE	
1	010600382	ROD, PISTON	1
2	-----	TUBE	1
3	-----	TIE ROD ASSY	4
4	-----	BUTT CLEVIS ASSY	1
5	148092	GLAND	1
6	-----	PISTON	1
7	148087	CLEVIS ASSY	1
8	-----	NUT, LOCK	1
9	-----	PLUG, PORT	1
10	-----	PLUG, PORT	3
11	148088	BUSHING	4
12	125566	BUSHING	1
13	143994	CLEVIS PIN	2
14	111789	ROLL PIN	4
15	---	TEFLON SEAL	1
*6	---	O-RING	1
17	---	O-RING	2
18	---	BU-WASHER	2
19	---	BEARING RING	1
20	---	U-CUP	1
21	---	CANNED WIPER	1
	148094	SEAL KIT (NOT SHOWN) (INCLUDES ITEMS 15 - 21)	

## ILLUSTRATED PARTS LIST

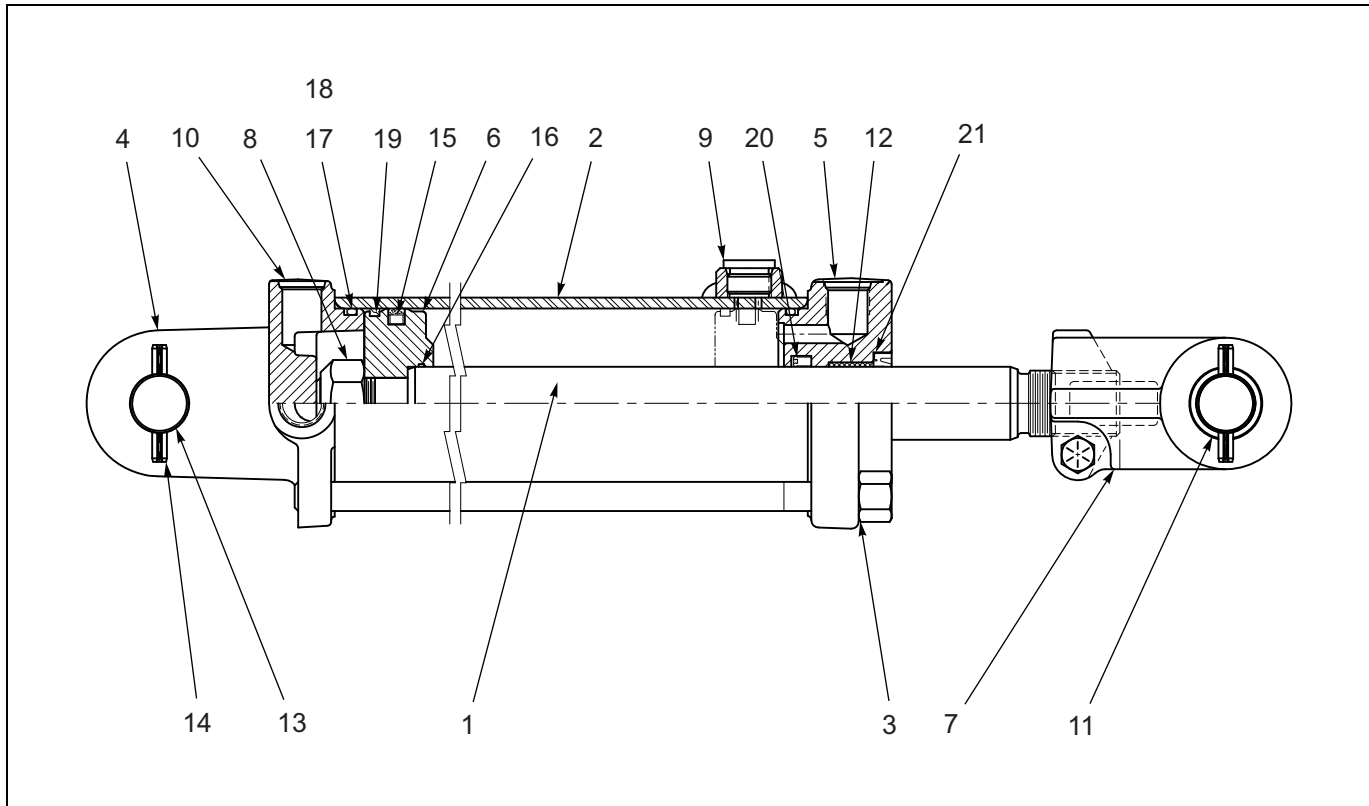


Figure 2-51: Cylinder - Rephase Assembly - 3-1/2 X 8

## CYLINDER - REPHASE ASSEMBLY - 3-1/2 X 8

ITEM	PART NO.	DESCRIPTION	QTY.
	145203	CYLINDER 3-1/2 X 8 REPHASE	
1	010600382	ROD, PISTON	1
2	-----	TUBE	1
3	-----	TIE ROD ASSY	4
4	-----	BUTT CLEVIS ASSY	1
5	148085	GLAND	1
6	-----	PISTON	1
7	148087	CLEVIS ASSY	1
8	-----	NUT, LOCK	1
9	-----	PLUG, PORT	1
10	-----	PLUG, PORT	3
11	148088	BUSHING	4
12	125566	BUSHING	1
13	143994	CLEVIS PIN	2
14	111789	ROLL PIN	4
15	---	TEFLON SEAL	1
16	---	O-RING	1
17	---	O-RING	2
18	---	BU-WASHER	2
19	---	BEARING RING	1
20	---	U-CUP	1
21	---	CANNED WIPER	1
	148089	SEAL KIT (NOT SHOWN) (INCLUDES ITEMS 15 - 21)	

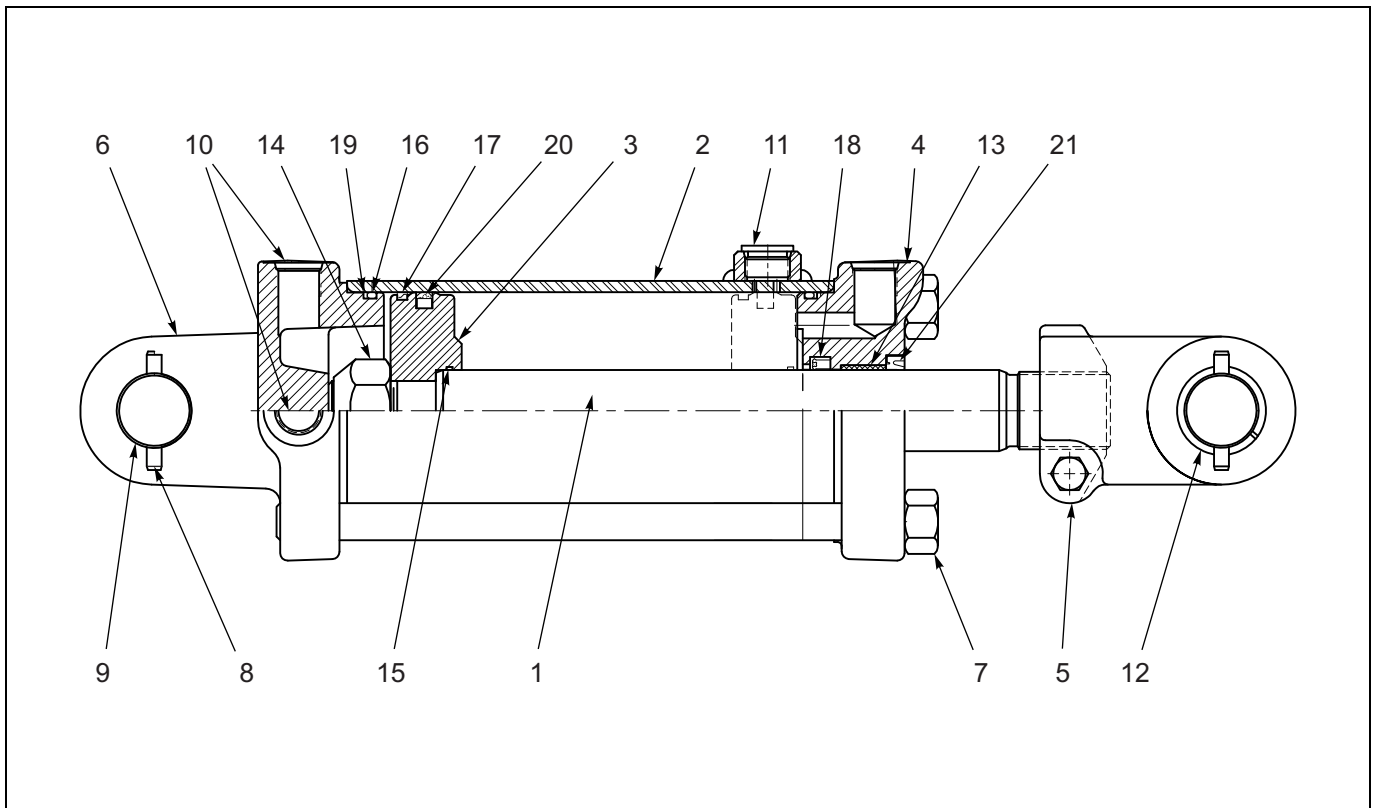


Figure 2-52: Cylinder - Rephase Assembly - 4 X 16

## CYLINDER - REPHASE ASSEMBLY - 4 X 16

ITEM	PART NO.	DESCRIPTION	QTY.
	146825	CYLINDER, 4X16, REPHASE	
1	148095	ROD, PISTON	1
2	-----	TUBE	1
3	-----	PISTON	4
4	142109	GLAND ASSY	1
5	148097	CLEVIS ASSY	1
6	-----	BUTT CLEVIS	1
7	-----	TIEROD ASSY	4
8	111789	ROLL PIN	4
9	147755	CLEVIS PIN	2
10	-----	PLUG, PORT	3
11	-----	PLUG, PORT	1
12	135912	BUSHING	2
13	141301	BUSHING, DU	1
14	-----	LOCKNUT	1
15	---	TEFLON SEAL	1
16	---	O-RING	1
17	---	O-RING	1
18	---	BU-WASHER	1
19	---	BEARING RING	2
20	---	U-CUP	1
21	---	CANNED WIPER	1
	148100	SEAL KIT (NOT SHOWN) (INCLUDES ITEMS 15 - 21)	

## ILLUSTRATED PARTS LIST

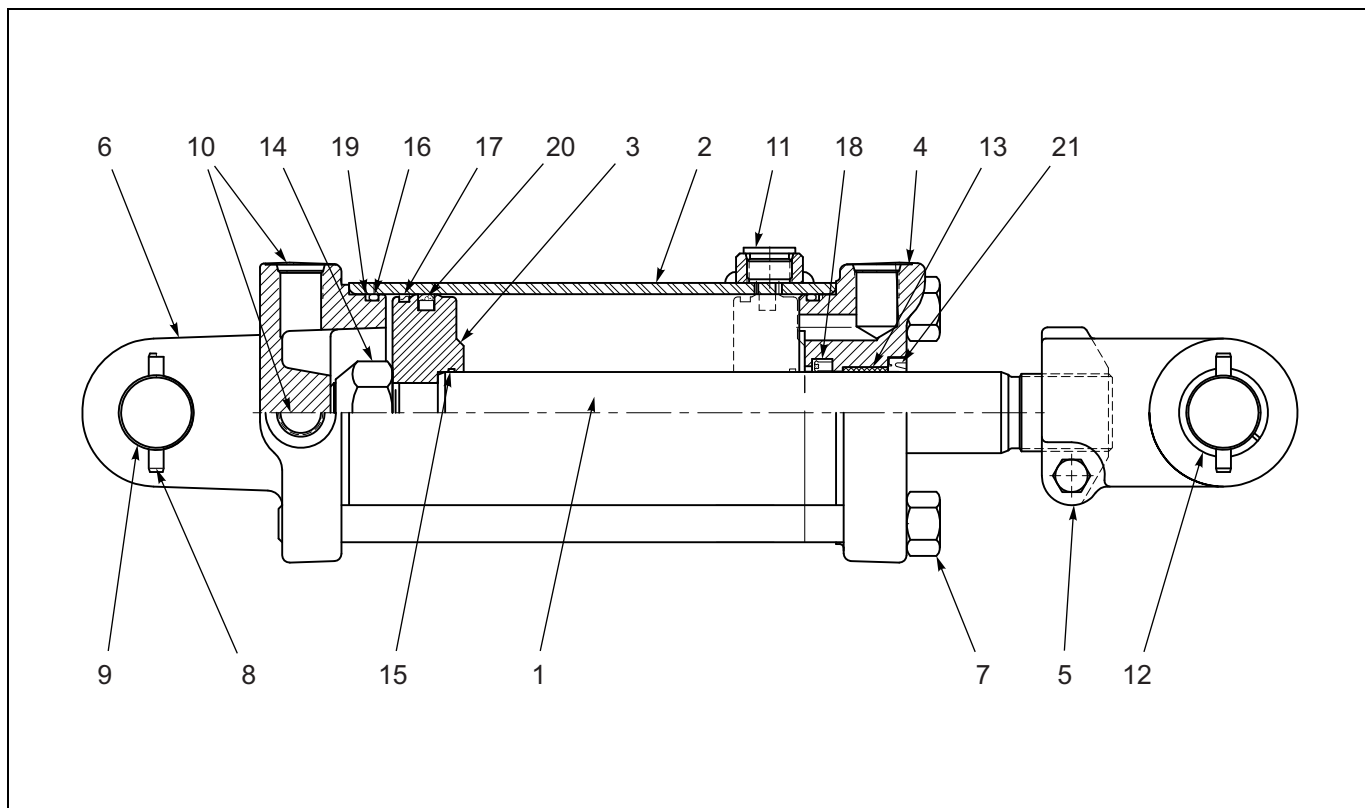


Figure 2-53: Cylinder - Rephase Assembly - 4 X 16

## CYLINDER - REPHASE ASSEMBLY - 4-1/2 X 16

ITEM	PART NO.	DESCRIPTION	QTY.
	146824	CYLINDER, 4-1/2 X16, REPHASE	
1	148101	ROD, PISTON	1
2	-----	TUBE	1
3	-----	PISTON	4
4	103153	GLAND ASSY	1
5	137304	CLEVIS ASSY	1
6	-----	BUTT CLEVIS	1
7	-----	TIEROD ASSY	4
8	111789	ROLL PIN	4
9	147755	CLEVIS PIN	2
10	-----	PLUG, PORT	3
11	-----	PLUG, PORT	1
12	135912	BUSHING	2
13	137702	BUSHING, DU	1
14	-----	LOCKNUT	1
15	---	TEFLON SEAL	1
16	---	O-RING	1
17	---	O-RING	1
18	---	BU-WASHER	1
19	---	BEARING RING	2
20	---	U-CUP	1
21	---	CANNED WIPER	1
	148106	SEAL KIT (NOT SHOWN) (INCLUDES ITEMS 15 - 21)	

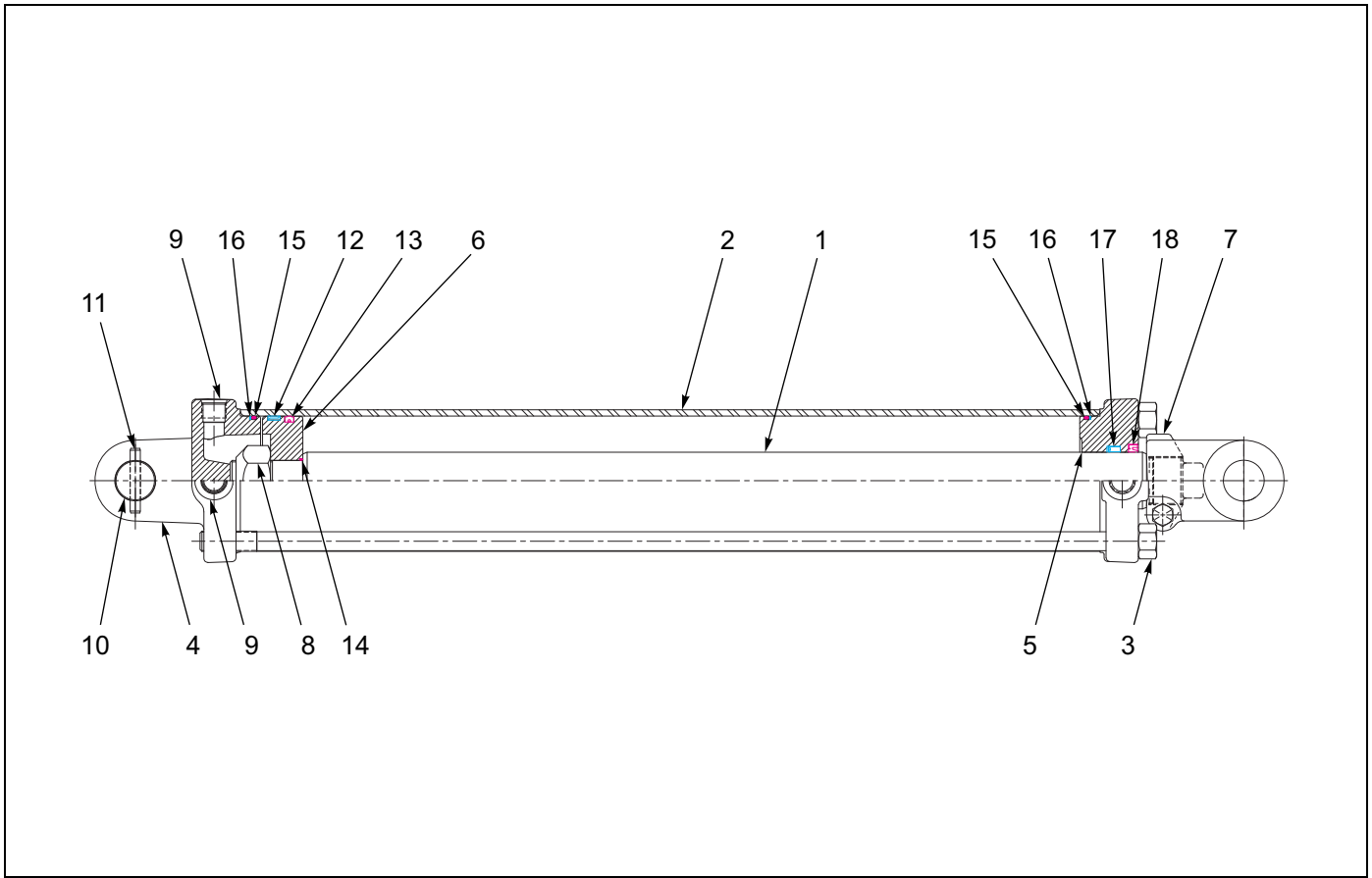


Figure 2-54: Cylinder Assembly - 4 X 30

## CYLINDER ASSEMBLY - 4 X 30

ITEM	PART NO.	DESCRIPTION	QTY.
	140472	CYLINDER 4X30 1-1/2 ROD	
1	142117	PISTON ROD	1
2	--	TUBE	1
3	--	TIE ROD ASSEMBLY	4
4	--	BUTT CLEVIS ASSEMBLY	1
5	142120	GLAND	1
6	--	PISTON	1
7	--	CLEVIS ASSEMBLY	1
8	--	LOCKNUT	1
9	--	PORT PLUG	1
10	111789	CLEVIS PIN	2
11	--	ROLL PIN	4
12	--	BEARING RING	2
13	--	CROWN SEAL	1
14	--	O-RING	1
15	--	O-RING	2
16	--	BU-WASHER	2
17	--	U-CUP	1
18	--	CANNED WIPER	2
	142113	PACKING KIT (NOT SHOWN) (INCLUDES ITEMS 12-18)	

## ILLUSTRATED PARTS LIST

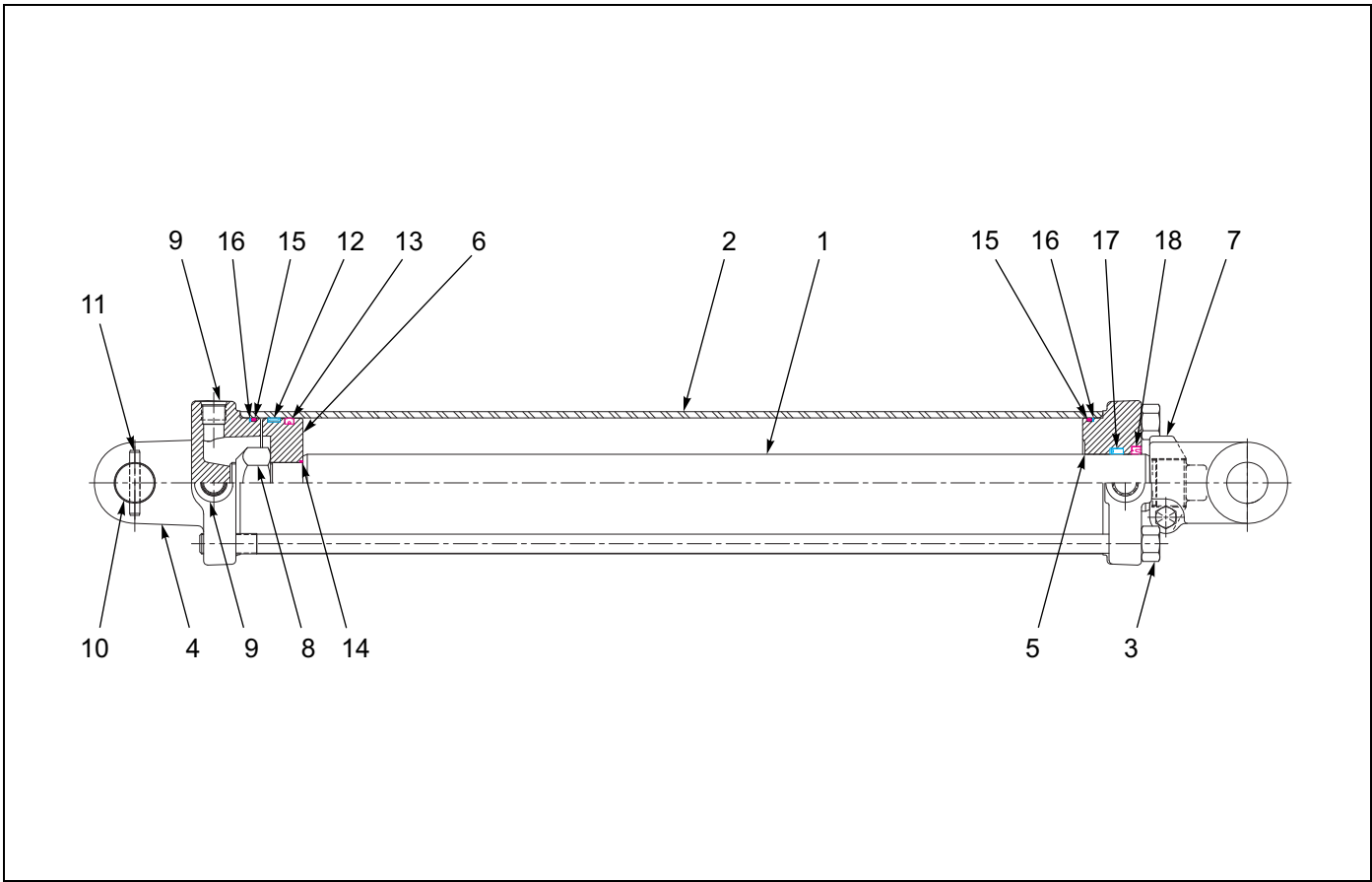


Figure 2-55: Cylinder Assembly - 4-1/2 X 30

## CYLINDER ASSEMBLY - 4-1/2 X 30

ITEM	PART NO.	DESCRIPTION	QTY.
	167575	CYLINDER, 4-1/2 X 30, 2DIA ROD	
1	169548	PISTON ROD	1
2	--	TUBE	1
3	--	TIE ROD ASSEMBLY	4
4	--	BUTT CLEVIS ASSEMBLY	1
5	169549	GLAND	1
6	--	PISTON	1
7	--	CLEVIS ASSEMBLY	1
8	--	LOCKNUT	1
9	--	PORT PLUG	1
10	169550	CLEVIS PIN	2
11	169551	ROLL PIN	4
12	--	BEARING RING	2
13	--	CROWN SEAL	1
14	--	O-RING	1
15	--	O-RING	2
16	--	BU-WASHER	2
17	--	U-CUP	1
18	--	CANNED WIPER	2
	169552	PACKING KIT (NOT SHOWN) (INCLUDES ITEMS 12-18)	

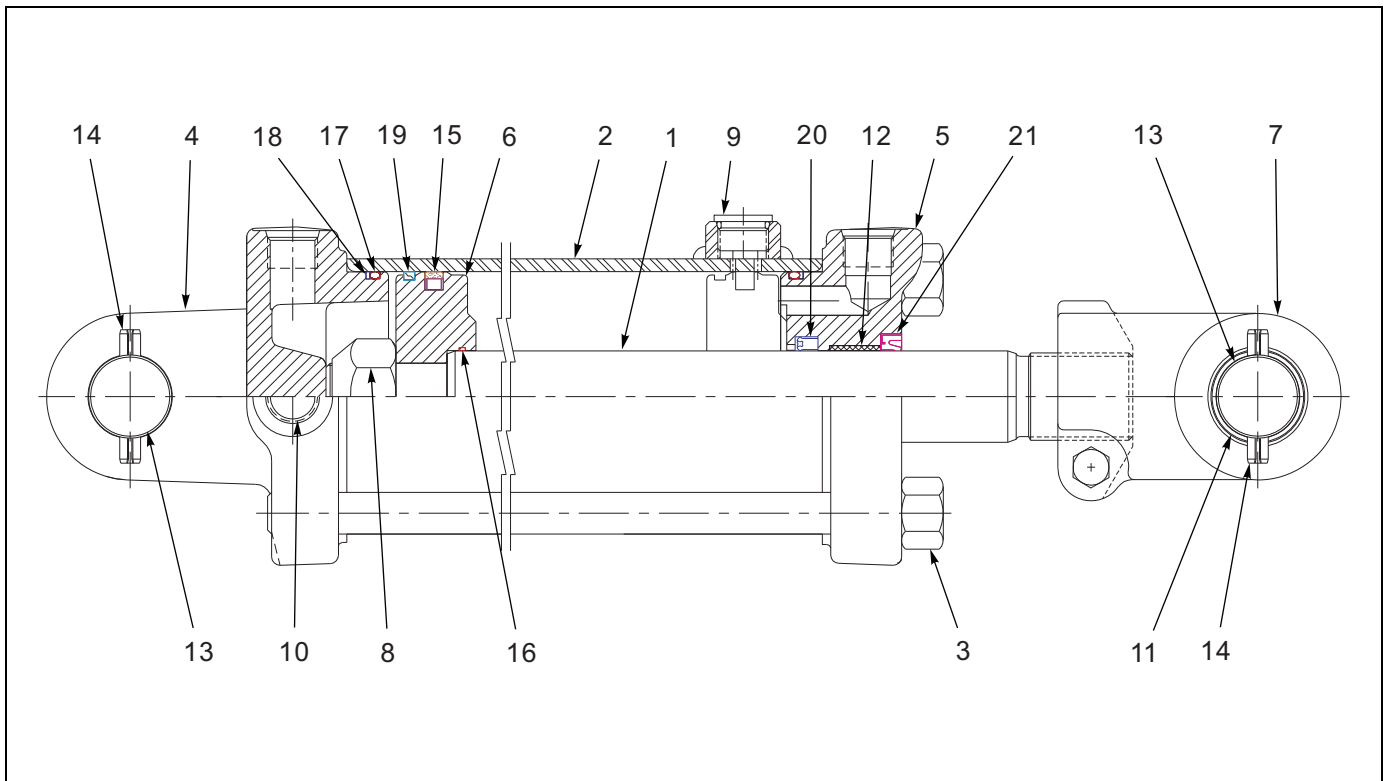


Figure 2-56: Cylinder - Rephase Assembly - 3-3/4 X 16

## CYLINDER - REPHASE ASSEMBLY - 3-3/4 X 16

ITEM	PART NO.	DESCRIPTION	QTY.
	163700	CYLINDER 3-3/4 X 16, REPHASE	
1	148095	PISTON ROD	1
2	-----	TUBE ASSEMBLY	1
3	-----	TIE ROD ASSEMBLY	4
4	-----	BUTT CLEVIS ASSEMBLY	1
5	111871	GLAND ASSEMBLY	1
6	-----	PISTON	1
7	148097	CLEVIS ASSEMBLY	1
8	-----	LOCKNUT	1
9	-----	SHIPPING PLUG	1
10	-----	SHIPPING PLUG	3
11	-----	BUSHING	2
12	-----	BUSHING	1
13	147755	CLEVIS PIN	2
14	169332	ROLL PIN	4
15	-----	TEFLON SEAL	1
16	-----	O-RING	1
17	-----	O-RING	2
18	-----	BU-WASHER	2
19	-----	BEARING RING	1
20	-----	U-CUP	1
21	-----	CANNED WIPER	1
22	-----	ROYAL PLATE DECAL (NOT SHOWN)	1
	167690	PACKING KIT (NOT SHOWN) (INCLUDES ITEMS 15-21)	

# ILLUSTRATED PARTS LIST

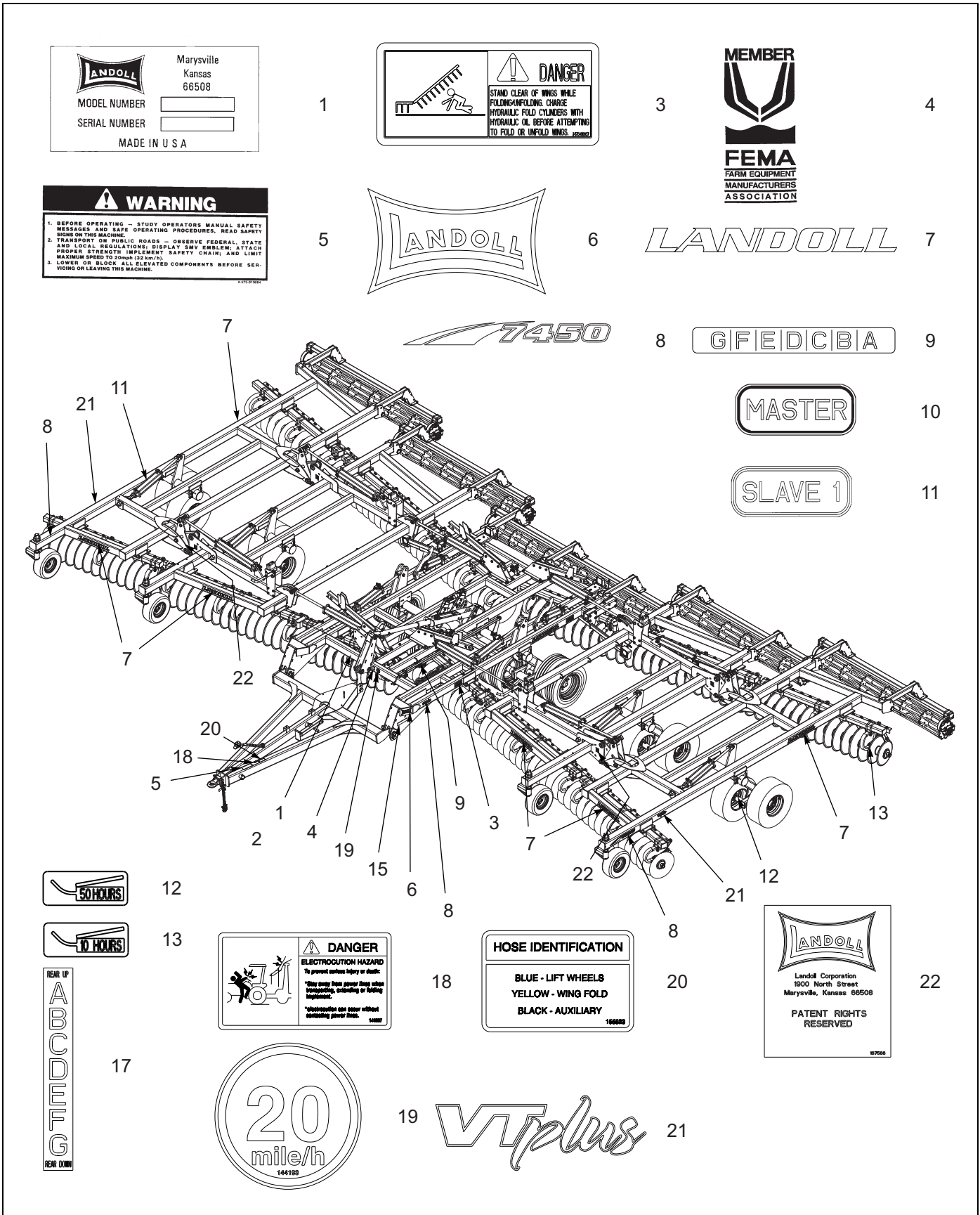


Figure 2-57: Decal Installation



## DECAL INSTALLATION

ITEM	PART NO.	DESCRIPTION	QTY.
1	1-573-010006	PLATE, NAME	
2	156010	RIVET, BLIND .156 X 1/2 GRIP	
3	2-573-010037	DECAL, DANGER, WING	
4	2-573-010198	DECAL MEMBER FEMA	
5	8-573-010084	DECAL WARNING BEFORE OPERATING	
6	141259	DECAL, LANDOLL YELLOW	
7	141260	DECAL, LANDOLL	
8	164550	DECAL, MODEL 7450	
9	141262	DECAL, DEPTH STOP INDICATOR	
10	*2-573-010150	DECAL, MASTER	
11	*2-573-010149	DECAL, SLAVE	
12	2-573-010330-03	DECAL LUBRICATION 50 HOURS	
13	2-573-010330-02	DECAL LUBRICATION 10 HOURS	
14	**528933	REFLECTOR, RED	
15	**528934	REFLECTOR, YELLOW	
16	**528938	STRIPE, ORANGE	
17	***141263	DECAL, LEVEL INDICATOR	
18	141597	DECAL, DANGER ELECTROCUTION	
19	144193	DECAL, SIS 20 MPH	
20	155523	DECAL, HOSE IDENTIFICATION	
21	155600	DECAL, VT PLUS	
22	167566	DECAL, PATENT RIGHTS RESERVED	

\* SEE PAGE 2-77 FOR DECAL LOCATIONS.

\*\* SEE PAGE 2-73 FOR DECAL LOCATION.

\*\*\* SEE PAGE 2-33 FOR DECAL LOCATION.



# Numerical Index

---

## Numerics

---

006-115-00	2-11, 2-13	107491	2-61, 2-63, 2-65
010600382	2-87, 2-88	1-076-010007	2-25, 2-41
0600-250-01250	2-9	1-076-010009	2-41
1-007-010025	2-84, 2-85	1-076-010010	2-25, 2-41
100823	2-9	1-076-010012	2-41
100827	2-37, 2-73	108628	2-7
100829	2-21, 2-51, 2-54, 2-61, 2-63, 2-65	108705	2-67, 2-69
100855	2-9	109895	2-56
100941	2-5, 2-33	1-1/2SLW	2-29, 2-33
100966	2-41	1-104-010002	2-41
101162	2-11, 2-13	111392	2-36
101385	2-5, 2-21	111789	2-5, 2-86, 2-87, 2-88, 2-89, 2-90, 2-91
101988	2-17, 2-23, 2-41	111871	2-93
102-0031	2-54	111962	2-26
102-1130	2-77, 2-84, 2-85	114616	2-15
102351	2-29, 2-33	116100	2-15
102498	2-26	1-161-010003	2-41
102600	2-17, 2-23, 2-26	116432	2-82
102601	2-26	116434	2-77, 2-82
102604	2-26	116435	2-77, 2-82
103103-002	2-11, 2-13	116437	2-77
103153	2-90	116489	2-82
103841	2-29	116490	2-82
104436	2-37	116491	2-77, 2-82
104597	2-33	116492	2-82, 2-83
105106	2-11, 2-13	116493	2-77
105107	2-11, 2-13	117260	2-82
105874	2-39, 2-73	117957	2-51, 2-54, 2-61, 2-63, 2-65
		119118	2-17, 2-23

## NUMERICAL INDEX

---

122709	2-9, 2-35	140481	2-43
122911	2-82, 2-83	140482	2-43
122917	2-7	140483	2-43
124132	2-77	140484	2-43
124971	2-54, 2-77	140485	2-43
125566	2-87, 2-88	140487	2-43
125648	2-55, 2-56	140490	2-43
126108	2-9	140491	2-43
126235	2-29	140519	2-9, 2-17, 2-23
127351	2-15	140533	2-4
127712	2-18, 2-24	140548	2-17, 2-23
128874	2-15	140554	2-25
129263	2-67, 2-69	140594	2-25
129698	2-54	140595	2-25
1-298-010001-01	2-30	140599	2-35, 2-51, 2-54, 2-61, 2-63, 2-65
1-298-010001-1	2-9, 2-18, 2-24, 2-35, 2-41	1-406-010012	2-41
131081	2-29	140646	2-25
135912	2-89, 2-90	140647	2-29, 2-34
137304	2-90	140649	2-35
137598	2-82	140693	2-4, 2-77
137600	2-77, 2-82	141109	2-4
137601	2-82	141154	2-21, 2-43
137602	2-82	141165	2-45, 2-47, 2-49
137702	2-90	141198	2-25
137943	2-59	141209	2-9, 2-17, 2-23
139213	2-77, 2-82	141234	2-9
139347	2-54	141236	2-25
1400548	2-83	141238	2-25
1404013	2-13	141244	2-15
140464	2-43	141245	2-41
140469	2-43	141246	2-29
140472	2-82, 2-91	141247	2-29
140473	2-43	141249	2-29
140475	2-43	141259	2-95
140476	2-43	141260	2-95
140477	2-43, 2-59	141262	2-95
140479	2-43, 2-59	141263	2-33, 2-95
140480	2-43, 2-59	141266	2-29

141271 .....	2-41	143994 .....	2-86, 2-87, 2-88
141275 .....	2-43, 2-54, 2-77, 2-83	144048 .....	2-7
141301 .....	2-89	144115 .....	2-5, 2-21, 2-33
141594 .....	2-84	144117 .....	2-82
141597 .....	2-95	144193 .....	2-95
141807 .....	2-29	144493 .....	2-33
141808 .....	2-41	145203 .....	2-4, 2-82
141809 .....	2-17, 2-23	145204 .....	2-82
141826 .....	2-82	146824 .....	2-9, 2-77, 2-90
141827 .....	2-33	146825 .....	2-17, 2-77, 2-89
141828 .....	2-39, 2-54, 2-77, 2-82	147123 .....	2-77
141854 .....	2-4, 2-77	147372 .....	2-86
141864 .....	2-82	147473 .....	2-9
141881 .....	2-77, 2-82	147553 .....	2-17, 2-23, 2-25
141882 .....	2-83	147582 .....	2-77, 2-82
141883 .....	2-82	147583 .....	2-82
141889 .....	2-82	147588 .....	2-82
142109 .....	2-89	147755 .....	2-4, 2-89, 2-90, 2-93
142110 .....	2-86	148085 .....	2-88
142112 .....	2-86	148087 .....	2-87, 2-88
142113 .....	2-91	148088 .....	2-87, 2-88
142117 .....	2-91	148089 .....	2-88
142120 .....	2-91	148092 .....	2-87
142189 .....	2-34	148094 .....	2-87
142190 .....	2-34	148095 .....	2-89, 2-93
142191 .....	2-34	148097 .....	2-89, 2-93
142192 .....	2-34	148100 .....	2-89
142193 .....	2-34	148101 .....	2-90
142194 .....	2-34	148106 .....	2-90
142195 .....	2-34	148337 .....	2-59
1422176 .....	2-77, 2-82	148338 .....	2-39
142668 .....	2-39	148382 .....	2-5
142669 .....	2-39	148387 .....	2-33, 2-35, 2-86
142670 .....	2-39	149592 .....	2-47
142671 .....	2-39	150273 .....	2-82
142753 .....	2-4	1-510-010001 .....	2-54
143067 .....	2-25	1-511-010002-11 .....	2-63, 2-65
143871 .....	2-39	1-512-010005-01 .....	2-4, 2-29, 2-73

## NUMERICAL INDEX

---

1-512-010005-03	2-4, 2-7, 2-39	153713	2-49
1-512-010005-05	2-4, 2-39, 2-43, 2-77	153716	2-59
1-512-010005-09	2-15, 2-17, 2-23, 2-29, 2-33, 2-39, 2-43, 2-54, 2-61, 2-65, 2-77	153803	2-9
1-512-010005-13	2-4, 2-59, 2-67, 2-69	153804	2-9, 2-17, 2-23
1-512-010005-15	2-4, 2-9, 2-15, 2-17, 2-23, 2-33, 2-35, 2-36, 2-37, 2-38, 2-43, 2-51, 2-54, 2-61, 2-63, 2-65, 2-73	154185	2-59
1-512-010005-19	2-9, 2-15, 2-29, 2-33, 2-51, 2-54, 2-61, 2-63, 2-65	154186	2-59
1-512-010007-07	2-29, 2-54	154392	2-51, 2-54, 2-61, 2-63, 2-65
1-512-010007-14	2-51, 2-54, 2-61, 2-65	154393	2-59
151548	2-45, 2-47, 2-49	154658	2-59
151550	2-43	154659	2-59
1-516-010001-20	2-25, 2-26	154661	2-45
152209	2-51, 2-54, 2-61, 2-63, 2-65	154662	2-49
152210	2-51, 2-54, 2-61, 2-65	154668	2-43
152638	2-86	154686	2-51, 2-54, 2-59
152640	2-86	154687	2-51, 2-54, 2-59
153620	2-77	154691	2-59
153621	2-77	154692	2-59
153622	2-55	154748P	2-51, 2-54
153649	2-43	155520	2-59
153650	2-43	155523	2-95
153651	2-43	155528	2-77
153652	2-43	155529	2-82
153696	2-29	155544	2-59
153698	2-47	155545	2-51, 2-54, 2-59
153699	2-49	155600	2-95
153700	2-45	155617	2-45, 2-47, 2-49
153701	2-45, 2-47, 2-49	155618	2-45, 2-47, 2-49
153702	2-45, 2-47, 2-49	155619	2-45, 2-47, 2-49
153703	2-45	1-557-010362-40	2-41
153704	2-47, 2-49	1-557-010362-51	2-25, 2-26
153705	2-47	1-557-010403	2-29, 2-33
153706	2-49	156010	2-95
153709	2-43	156082	2-49
153710	2-49	156083	2-49
153711	2-49	156084	2-45, 2-47
		156921	2-45, 2-47
		156922	2-45, 2-47, 2-49
		156945	2-82

156949	2-29	161666	2-21
156950	2-29	161667	2-21
156951	2-45	161668	2-15
156972	2-17, 2-23, 2-26	161669	2-15
156973	2-26	161670	2-21
156974	2-26	161671	2-21
156979	2-26	161672	2-15
156992	2-17, 2-23	161673	2-15
157000	2-18, 2-24	161674	2-21
157001	2-17, 2-23	161675	2-21
157002	2-17, 2-23	161676	2-4, 2-9
157019	2-17, 2-23	161678	2-4
1-573-010006	2-95	161679	2-15, 2-17
157648	2-73	161680	2-15, 2-17
158295	2-39	161681	2-21, 2-23
158795	2-51, 2-54, 2-61, 2-65	161682	2-21, 2-23
158847	2-51, 2-54	161683	2-15, 2-17
158850	2-15	161684	2-15, 2-17
158896	2-51, 2-54, 2-61, 2-65	161685	2-21, 2-23
158897	2-51, 2-54, 2-61, 2-65	161686	2-21, 2-23
158898	2-45, 2-47, 2-49	161687	2-15, 2-17
158903	2-17, 2-23	161688	2-15, 2-17
159553	2-9	161689	2-21, 2-23
159557	2-9	161690	2-21, 2-23
159569	2-82	162191	2-38
159954	2-17, 2-23	162249	2-4
159970	2-26	162569	2-54
15G816ER	2-18, 2-24	162676	2-45, 2-47, 2-49
160151	2-41	162677	2-45, 2-47, 2-49
160155	2-41	162678	2-45, 2-47, 2-49
160161	2-43	162679	2-45, 2-47, 2-49
160597	2-17, 2-23	162680	2-45
160656	2-15	162681	2-45
160693	2-82	162682	2-45
161550	2-30	162683	2-45
161662	2-4	162684	2-45
161664	2-15	162685	2-45
161665	2-15	162686	2-45

## NUMERICAL INDEX

---

162687	2-45	164508	2-29
162724	2-9	164509	2-29
162725	2-9	164513	2-45
162728	2-17, 2-23	164514	2-45
162729	2-17, 2-23	164515	2-45
162765	2-9	164516	2-47
162770	2-29	164517	2-47
1-630-010021-03	2-7	164518	2-47
163629	2-4	164519	2-49
163639	2-4	164520	2-49
163642	2-4	164521	2-49
163644	2-15	164525	2-51
163645	2-15	164526	2-51
163672	2-35	164527	2-51
163679	2-35	164533	2-5, 2-21, 2-43
163685	2-33, 2-35	164539	2-4, 2-21
163690	2-33	164540	2-21
163696	2-9	164541	2-21
163700	2-23, 2-77, 2-93	164543	2-29
163705	2-33	164544	2-33
163716	2-33	164545	2-35
163718	2-15	164546	2-17, 2-23
163719	2-15	164550	2-95
164124	2-4	164553	2-4
164138	2-73	164554	2-4
164142	2-73	164555	2-15
164308	2-77	164557	2-11, 2-13
164378	2-59	164558	2-9, 2-11
164471	2-41	164562	2-45
164472	2-41	164563	2-9
164473	2-41	164564	2-21
164474	2-15	164565	2-21
164475	2-41	1-647-010004236	2-38, 2-51, 2-54, 2-61, 2-63, 2-65
164477	2-41	1-647-010004240	2-9, 2-15, 2-21, 2-38
164481	2-41	1-647-010004257	2-5, 2-43
164490	2-21	1-647-010004259	2-41
164491	2-21	165127	2-51, 2-54, 2-59
164501	2-9	165226	2-59



165238	2-9	165320	2-49
165254	2-11	1-654-010032-05	2-4, 2-15, 2-41, 2-59
165256	2-9	1-654-010032-09	2-43
165257	2-4	1-654-010032-23	2-5
165258	2-7	1-654-010047-04	2-73
165259	2-7	1-654-010047-06	2-4, 2-29
165260	2-7	1-654-010047-07	2-73
165264	2-4, 2-7	1-654-010047-08	2-73
165265	2-4	1-654-010049-03	2-11, 2-13
165266	2-29	1-654-010049-05	2-39
165267	2-4	1-654-010049-19	2-4
165268	2-5, 2-73	1-654-010051-06	2-4
165269	2-5, 2-73	1-654-010051-07	2-54
165283	2-4	1-654-010051-11	2-39, 2-43, 2-77
165284	2-77, 2-82	1-654-010055-02	2-39
165285	2-77, 2-82	1-654-010055-03	2-54
165286	2-9	1-654-010055-05	2-43, 2-63, 2-65
165287	2-77, 2-84	1-654-010055-11	2-15, 2-54, 2-77
165288	2-35	1-654-010055-15	2-17, 2-23
165295	2-21	1-654-010055-16	2-61, 2-65
165296	2-41	1-654-010055-18	2-33
165298	2-41	1-654-010059-07	2-4
165302	2-4	1-654-010059-11	2-37
165305	2-47	1-654-010061-04	2-36
165306	2-47	1-654-010061-05	2-9, 2-17, 2-23
165307	2-47	1-654-010061-06	2-36
165308	2-47	1-654-010061-07	2-38
165309	2-47	1-654-010061-09	2-9
165310	2-47	1-654-010061-15	2-5
165311	2-47	1-654-010061-16	2-5, 2-37
165312	2-47	1-654-010061-21	2-4, 2-15
165313	2-49	1-654-010061-22	2-15, 2-37
165314	2-49	1-654-010061-25	2-37
165315	2-49	1-654-010065-13	2-9
165316	2-49	1-654-010068-17	2-33
165317	2-49	1-654-010070-02	2-43
165318	2-49	1-654-010070-03	2-54, 2-67, 2-69
165319	2-49	1-654-010070-04	2-77

## NUMERICAL INDEX

---

1-654-010076-26	2-29	167603	2-37
1-654-010080-22	2-9	167605	2-37
1-654-010104245	2-70, 2-71	167609	2-37
1-654-010125-22	2-29	167612P	2-37
1-659-010004	2-41	167624P	2-37
166171	2-83	167628	2-38
166628	2-15	167630	2-37
166629	2-15	167632	2-37, 2-38
166701	2-35	167633	2-37
166705	2-33	167636	2-39
166707	2-33	167637	2-37
166709	2-41	167638	2-29
166710	2-33	167645	2-33
166714	2-77, 2-82	167649	2-11, 2-13
166715	2-77, 2-82	167690	2-93
166717	2-7	168456	2-11
166718	2-43	168750	2-41
166978	2-77	168771	2-38
167551	2-9	168773	2-38
167552	2-9	168892	2-77
167553	2-9	169332	2-93
167554	2-51, 2-54	169548	2-92
167556	2-82	169549	2-92
167557	2-77, 2-82, 2-84	169550	2-92
167558	2-82, 2-85	169551	2-92
167566	2-95	169552	2-92
167568	2-9	169690	2-54
167569	2-9	170195	2-43
167571	2-47	170196	2-47
167574	2-4	170206	2-41
167575	2-83, 2-92	170209P	2-36
167576	2-4	170212	2-36
167579	2-4	170213	2-36
167580	2-4	170214	2-36
167586	2-9, 2-11, 2-13	170223	2-47
167589	2-47	170258	2-9
167593	2-21	171020	2-49
167594	2-21	171021	2-49

171024	2-9, 2-17, 2-23	174532	2-67, 2-69
171070	2-17, 2-23	174708	2-7
171074	2-54	174709	2-7
171077	2-70, 2-71	174719	2-70
171078	2-70	174720	2-55, 2-70
171079	2-71	174722	2-55, 2-56
171080	2-70, 2-71	174724	2-55
171081	2-70, 2-71	174725	2-55
171082	2-45	174726	2-55
171093	2-70, 2-71	174784	2-56
172509	2-43, 2-67, 2-69	176633	2-69
172534	2-55	176634	2-69
172535	2-55	176635	2-67
172568	2-55	176636	2-67, 2-69
172724	2-43	176637	2-67
172884	2-51, 2-55	176638	2-67
172962	2-17, 2-23	176929	2-55
172973	2-55	176930	2-55
172976	2-55	176998	2-33
172977	2-55	177030	2-30
172978	2-55	177032	2-30
172979	2-55	177035	2-73
172980	2-55	177097	2-29
172981	2-55	178968	2-17, 2-23
172989	2-54	178969	2-17, 2-23
172990	2-54	179933	2-11, 2-13
172991	2-54	180020	2-77
172992	2-55	180043	2-33
172998	2-55, 2-56	180120	2-4, 2-7
173013	2-55	180121	2-7
173018	2-21	1-816-010005	2-26
173044	2-55	184708	2-18, 2-24
174435	2-73	184769	2-13
174436	2-73	185757	2-67, 2-69
174437	2-73	186100	2-45, 2-47, 2-49
174438	2-73	186101	2-45, 2-47, 2-49
174439	2-73	1-861-010004	2-41
174526	2-67, 2-69	1-861-010032-06	2-13

## NUMERICAL INDEX

---

1-861-010032-07	2-4	198351	2-9
1-861-010032-11	2-43, 2-77	198404	2-4
1-861-010032-14	2-33, 2-43	1P444	2-56, 2-63, 2-65
1-861-010032-15	2-15	200129	2-18, 2-24
1-861-010032-20	2-35, 2-38	200218	2-67, 2-69
1-861-010032-21	2-4	200221	2-67, 2-69
1-861-010032-24	2-29	200222	2-67, 2-69
1-861-010032-29	2-21	200259	2-67, 2-69
1-861-010032-32	2-33	200310	2-18, 2-24
1-861-010034-10	2-11, 2-13	202702-6-6S	2-56
1-861-010034-13	2-54, 2-63, 2-65	202702-8-6S	2-56
1-861-010034-17	2-41, 2-43, 2-59, 2-67, 2-69	202702-8-8S	2-77, 2-84, 2-85
1-861-010034-21	2-51, 2-54, 2-59, 2-61, 2-65	203003-8-8S	2-77
188528	2-56	203005-8-8S	2-84, 2-85
188530	2-56, 2-63, 2-65	203102-8-8S	2-82, 2-84
188531	2-56	203525	2-61, 2-63, 2-65
189451	2-29, 2-30	204385	2-17, 2-23
189453	2-30	204400	2-67, 2-69
189454	2-30	204416	2-67
189468	2-30	204417	2-67
190955	2-67	204418	2-67
190956	2-67	204419	2-67
190957	2-67	204422	2-67
190958	2-67	204423	2-67
191487	2-61, 2-65	204424	2-67
191924	2-56, 2-63, 2-65	204425	2-67
191925	2-56, 2-63, 2-65	204505	2-61, 2-63, 2-65
191954	2-61	204510	2-61, 2-63, 2-65
191955	2-61	204511	2-61, 2-63, 2-65
191956	2-61	204522	2-69
191974	2-9, 2-13	204544	2-17, 2-23
191976	2-13	204548	2-18, 2-24
191998	2-69	2061-6-6S	2-56
193149	2-85	2062-6-6S	2-56
198320	2-54, 2-63, 2-65	2062-8-8S	2-4, 2-56, 2-77, 2-82, 2-84, 2-85
198322	2-18, 2-24	206599	2-71
198342	2-17, 2-23	206652	2-54, 2-63, 2-65
198344	2-17, 2-23	206670	2-55, 2-71

206675	2-54	6-102-010009	2-59
2071-8-8S	2-82	70239854	2-4
207849	2-17, 2-23	70260977	2-73
207876	2-17, 2-23	71508981	2-55
207877	2-17, 2-23	71508982	2-82
2-102-010032	2-73	71508984	2-82
210606	2-25	71508987	2-77
212046	2-18, 2-24	71509000	2-83
2-150-010008	2-4	71509001	2-55
2-150-010174	2-4, 2-15	71509006	2-55
2-150-010218	2-5, 2-9	71509008	2-55
215341	2-18, 2-24	71509009	2-55
215351	2-18, 2-24	71509124	2-55
215352	2-17, 2-23	71510821	2-77
2-181-010001	2-43, 2-56, 2-83	71600088	2-82
23085	2-5, 2-43	71600529	2-55, 2-56
2-368-010273	2-39, 2-73	7779-102	2-55
2-368-010287	2-73	7779-34	2-55
2-375-010602	2-29	7779-48	2-55
2-406-010005	2-41	7779-54	2-55
2-474-010022	2-56, 2-85	7779-72	2-55
2-557-010426	2-34	7779-78	2-55
2-573-010037	2-95	7779-84	2-55
2-573-010149	2-77, 2-95	7779-90	2-55
2-573-010150	2-95	8-102-010012	2-67, 2-69
2-573-010198	2-95	8-573-010084	2-95
2-573-010330-02	2-95	900598-6S	2-70, 2-71
2-573-010330-03	2-95		
3067	2-11, 2-13		
3-870-010097	2-9		
4001060	2-26		
415	2-17, 2-23		
5000	2-25, 2-26, 2-43		
500171	2-34		
5013	2-13		
528933	2-73, 2-95		
528934	2-73, 2-95		
528938	2-73, 2-95		
		<b>H</b>	
		HM212011	2-11, 2-13
		HM212049	2-11, 2-13
		HM218210	2-11, 2-13
		HM218248	2-11, 2-13
		<b>T</b>	
		TR416	2-9, 2-41

## NUMERICAL INDEX

---

TR575 ..... 2-17, 2-23

## W

---

W908409-4 ..... 2-4, 2-73

**Document Control Revision Log:**

<b>Date</b>	<b>Revision</b>	<b>End Item #</b>	<b>Improvement(s) Description and Comments</b>
03/28/11	F-608	7450	Initial Release
11/02/18	F-608-1118	7450	ECN44047 walking beam revision, ECN44101 Galaxy Tire/Wheel revision



---

# Intertek

Equipment from Landoll Corporation is built to exacting standards ensured by ISO 9001 registration at all Landoll manufacturing facilities.

## Model 7450 VT Plus Parts Manual

Re-Order Part Number F-608-1118

**LANDOLL CORPORATION**

1900 North Street

Marysville, Kansas 66508

(785) 562-5381

**800-428-5655 ~ WWW.LANDOLL.COM**



Copyright 2010. Landoll Corporation

“All rights reserved, including the right to reproduce this material or portions thereof in any form.”

Scan to go to [www.landoll.com](http://www.landoll.com)

