

bühler

farm king



13" x 36' Conventional Auger

Operator's and Parts Manual
FK361

2008

TABLE OF CONTENTS

DESCRIPTION	PAGE
WARRANTY	1
INTRODUCTION	2
SAFETY	3
Safety	3
General Safety	4
Start Up Safety	4
Operation Safety	4
Transport Safety	5
Service and Maintenance Safety	5
Storage Safety	6
Safety Signs	6
Safety Sign Installation	6
ASSEMBLY	8
Assembly Instructions	8
Clamp-on Motor Mount Instructions	13
OPERATION	14
Operating Instructions	14
Theory of Operation	16
MAINTENANCE	18
Maintenance & Lubrication	18
Storage	19
Bolt Torque	19
PARTS DRAWINGS	20
Tube Assembly Drawing	20
Tube Assembly Parts List	21
Undercarriage, Axle & Lift Arm Assembly Drawing	23
Undercarriage Parts List	24
Belt Drive PTO Assembly Drawing	26
Belt Drive PTO Assembly Parts List	27
Engine Drive Assembly Drawing	29
Engine Drive Assembly Parts List	30
Direct Drive Assembly Drawing	32
Direct Drive Assembly Parts List	33
Cable Assembly Drawing & Parts List	34
Clamp-on Motor Mount Drawing	35
Clamp-on Motor Mount Parts List	36
Winch #K2550 Drawing	37
Winch #K2550 Parts List	38

PTO Assembly Drawing	39
Direct Drive PTO Assembly Parts List	40
Belt Drive PTO Assembly Parts List	41
Gearbox Drawing & Parts List	42
SHIPPING KIT AND BUNDLE NUMBERS	43

WARRANTY POLICY

Buhler Manufacturing products are warranted for a period of twelve (12) months (90 days for commercial application) from original date of purchase, by original purchaser, to be free from defects in material and workmanship under correct, normal agricultural use and proper applications.

Buhler Manufacturing's obligations under this warranty shall be limited to the repair or exchange, at Buhler Manufacturing's option, of any Buhler Manufacturing product or part which proves to be defective as provided. Buhler Manufacturing reserves the right to either inspect the product at the buyer's location or have it returned to the factory for inspection.

The above warranty does not extend to goods damaged or subject to accident, abuse or misuse after shipment from Buhler Manufacturing's factory, nor to goods altered or repaired by anyone other than an authorized Buhler Manufacturing representative.

Buhler Manufacturing makes no Express Warranties other than those, which are specifically described. Any description of goods, including any references and specifications in catalogues, circulars and other written material published, is for the sole purpose of identifying goods and shall conform to such descriptions. Any sample or model is for illustrative purposes only and does not create an Express Warranty that the goods conform to sample or model shown.

The purchaser is solely responsible for determining suitability of goods sold. This warranty is expressly in lieu of all other warranties expressed or implied. Buhler Manufacturing will in no event be liable for any incidental or consequential damages whatsoever. Nor for any sum in excess of the price received for the goods for which liability is claimed.

WARRANTY CLAIMS:

Warranty requests must be prepared on Buhler Manufacturing Warranty Claim Forms with all requested information properly completed. Warranty Claims must be submitted within a thirty (30) day period from date of failure repair.

WARRANTY LABOR:

Any labor subject to warranty **must** be authorized by Buhler Manufacturing. The labor rate for replacing defective parts, where applicable, will be credited at 100% of the dealer's posted shop rate. Defective parts will receive an extra 10% discount to assist with freight or other incidental costs.

GOVERNMENT LEGISLATION:

Warranty terms and conditions are subject to Provincial or State legislation.

IMPORTANT FACTS:

Buckets and Bucket Tines Carry No Warranty
Bent Spears Carry No Warranty
Snowblower Fan Shafts Carry No Warranty
Mower Blades Carry No Warranty
Portable Auger Parts Have Two (2) Year Warranty
Loader Parts Have Two (2) Year Warranty

IMPORTANT NOTE: This warranty does not apply to rentals

INTRODUCTION

The Buhler Farm King conventional augers deliver numerous well-proven design features for more convenience, efficiency and safety. A longer bottom end below the gearbox allows the auger further into the bin.

These augers are well balanced for easy handling. A belt tightener and improved hinged belt-guards provide you with added convenience and an extra measure of safety. Beefy, wide-stance undercarriages and lift-systems with automotive-type hubs and bearings are all Buhler Farm King standards. Strength and stability come with square tube construction. Buhler Farm King gives you all the drive options:

- Direct PTO
- Belt Drive PTO
- Gas Engine Drive
- Electric Motor Drive (belt and direct)

All belt drive engine models have self-leveling motor mounts. Reliable safety clutch winches are used. The double flighting intake has a brass bushing on all conventional auger intake guards. A new, narrow safety-guard and removable clevis-hitch allows for easier penetration into smaller openings. A storage bracket holds the clevis hitch when not needed. Sealed lubrication in the top-drive assembly makes it resistant to heat, dust, debris and moisture. It also reduces maintenance requirements and adds to the longevity of the chain and sprockets.

Keep this manual handy for frequent reference. All new operators or owners must review the manual before using the equipment and at least annually thereafter. Contact your Buhler Dealer if you need assistance, information, or additional copies of the manual. Visit our website at www.buhler.com for a complete list of dealers in your area.

The directions left, right, front and rear, as mentioned throughout this manual, are as seen facing in the direction of travel of the implement.

SAFETY INSTRUCTIONS

Remember, **YOU** are the key to safety. Good safety practices not only protect you, but also the people around you. Make these practices a working part of your safety program. Be certain that everyone operating this equipment is familiar with the recommended operating and maintenance procedures and follows all the safety precautions. Most accidents can be prevented. Do not risk injury or death by ignoring good safety practices.

The alert symbol is used throughout this manual. It indicates attention is required and identifies hazards. Follow the recommended precautions.



The safety alert symbol means...

ATTENTION! BECOME ALERT! YOUR SAFETY IS INVOLVED!



CAUTION

The caution symbol indicates a potentially hazardous situation that, if not avoided, may result in minor or moderate injury. It may also be used to alert against unsafe practices.



WARNING

The Warning Symbol indicates a potentially hazardous situation that, if not avoided, could result in death or serious injury, and includes hazards that are exposed when guards are removed. It may also be used to alert against unsafe practices.



DANGER

The Danger Symbol indicates an imminently hazardous situation that, if not avoided will result in death or serious injury. This signal word is to be limited to the most extreme situations, typically for machine components that, for functional purposes, cannot be guarded.

GENERAL SAFETY INSTRUCTIONS

Have a first-aid kit available for use and know how to use it.

Have a fire extinguisher available, stored in a highly visible location, and know how to use it.

Wear appropriate protective gear. This list may include but is not limited to:

- Hard hat
- Protective shoes with slip resistant soles
- Protective glasses or goggles
- Heavy gloves
- Wet weather gear
- Hearing protection
- Respirator or filter mask

Read and understand the Operator's Manual and all safety signs before operating, servicing, adjusting, repairing, or unplugging the equipment.

Do not attempt any unauthorized modifications to your Buhler product as this could affect function or safety, and could affect the life of the equipment.

Inspect and clean the working area before operating.

Keep hands, feet, clothing, and hair away from moving parts.

Ensure bystanders are clear of the area before operating.

START-UP SAFETY

Do not let inexperienced operators or children run this equipment.

Place all tractor and machine controls in neutral before starting.

Operate only with ROPS and seatbelt equipped tractors.

Do not operate inside a building unless there is adequate ventilation.

Ensure all shields are in place and in good condition before operating.

Stay clear of PTO shaft and machine when engaging PTO.

The auger must be on a level surface and wheels free to move when raising or lowering. Everyone should be kept clear during these operations.

Make certain electric motors are grounded.

OPERATION SAFETY

Do not permit riders.

Do not wear loose fitting clothing during operation.

Empty the auger before moving to prevent upending.

Do not allow anyone other than the operator close to the Auger when in operation.

Never stand under the auger while raising or lowering.

When filling tall bins, tanks, or granaries, it is advisable to anchor the auger to the bin or building to prevent it from being tipped over by the wind or a sudden movement. The upper end of the auger should rest on some support when in operation.

Never operate a Conventional Auger with the intake end off the ground.

Never operate over 540 rpm PTO speed.

Never raise the intake end of the auger above waist high, as the balance shifts forward, and the auger will tip over.

Stay away from overhead obstructions and power lines during operation and transporting. Electrocutation can occur without direct contact.

TRANSPORT SAFETY

Review Transport Safety instructions in tractor manual before moving.

Check with local authorities regarding transport on public roads. Obey all applicable laws and regulations.

Do not tow equipment that does not have brakes at speeds over 32km/h (20 mile/h).

Do not tow equipment that does not have brakes that, when fully loaded, has a mass (weight) over 1.5 t (3300 lb) and more than 1.5 times the mass (weight) of the towing unit.

Make sure the SMV (Slow Moving Vehicle) emblem and all the lights and reflectors that are required by the local highway and transport authorities are in place, are clean, and can be seen clearly by all overtaking and oncoming traffic.

Never have the equipment in operation during transport.

Always transport the Conventional Auger in the down position, carrying the weight of the auger on the winch cable and not on the track stops.

Take extreme caution in maneuvering on or around tight corners so as not to catch the end of the auger on trees, buildings, power lines, etc.

The equipment should never be towed without the safety chain securely attached to the auger and the towing vehicle.

When moving the auger on the road, always use a red flag, or if absolutely necessary to move at night, accessory lights for adequate warning to operators of other vehicles.

Always travel at a safe speed.

Inflate transport tires to recommended pressure.

SERVICE AND MAINTENANCE SAFETY

Stop engine, set brake, remove ignition key, and wait for all moving parts to stop before servicing, adjusting, repairing, or unplugging.

Support the equipment with blocks or safety stands before working beneath it.

Follow good shop practices including

- Keep service area clean and dry
- Be sure electrical outlets and tools are properly grounded
- Use adequate light for the job

Use only tools, jacks, and hoists of sufficient capacity for the job.

Replace and secure all shields removed during servicing before operating.

Use heavy leather gloves to handle sharp objects.

Check hydraulics regularly for leaks. Use cardboard to look for leaks, and use hand and eye protection.

Relieve pressure on hydraulic system before repairing or adjusting.

Failure to follow proper procedures when mounting a tire on a wheel or rim can produce an explosion, which may result in serious injury or death.

STORAGE SAFETY

Store the unit in an area away from human activity.

Do not permit children to play on or around the stored machine.

Support the frame on stands and blocks to provide a secure base.

When storing an auger, park it on level ground so that the bottom end will never be over its center of gravity.

Block the wheels of the auger so that the auger will not move.

When storing the auger, the intake end should be tied or weighted to prevent tipping.

SAFETY SIGNS

The following illustration shows the approximate location and detail of safety signs.

Keep all safety signs clean and legible and replace any that are damaged or missing.

When original parts are replaced, any safety signs affixed to those parts should be replaced as well. Replacement safety signs are available from your local dealer.

INSTALLATION OF SAFETY SIGNS

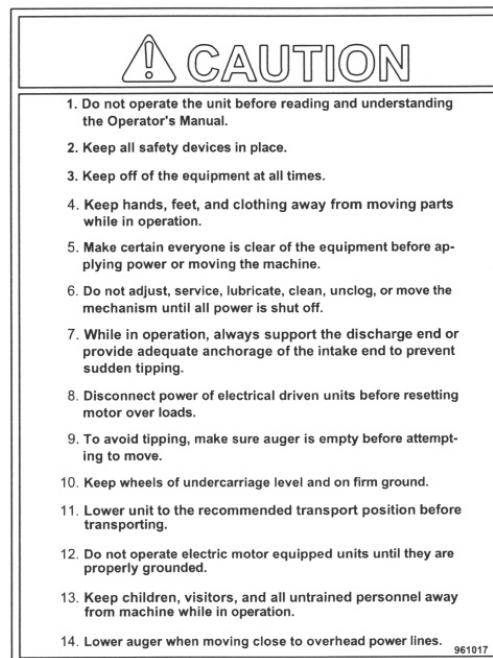
To install safety signs, ensure the installation area is clean and dry. Decide on the exact position before you remove the backing paper. Remove the smallest portion of the split backing paper and align over the specified area. Carefully press in place. Slowly peel back the remaining paper and smooth the remaining portion in place. Small air pockets can be pierced with a pin and smoothed out.

SAFETY SIGNS



CA-18

Replace safety signs immediately should they become damaged, torn or illegible. Obtain replacements from our authorized dealer using the part numbers shown.



ASSEMBLY INSTRUCTIONS

1. Page 20: Assemble the bottom section (#1) to the top section (#2) making sure the flighting is aligned and locked with a hex bolt and lock nut. ($\frac{1}{2}$ " x $2\frac{3}{4}$ " grade 8). Use hex bolts, lock washers and hex nuts to fasten the auger rings together. ($\frac{7}{16}$ " x $1\frac{1}{4}$ " hex bolt). Align the two sections before tightening the bolts. Be sure to tighten bolts evenly – first one side and then the other. Bolt the intake guard (#12) to the bottom of the auger using $\frac{3}{8}$ " x 2" full thread hex bolts, lock washers and hex nuts.
2. The gearbox is shipped without oil. Before you mount the gearbox on the auger, remove the lid and fill the gearbox about $\frac{1}{3}$ full with SAE80-90 oil (oil should just be touching the bottom of the gears, do not overfill).

Use gasket glue when replacing the cover to reduce the chance of leaks. The gearbox may be used on either the left or the right side. Check to see that the breather plug on the gearbox lid will be on the top and the drain plug will be at the bottom when the gearbox is bolted to the auger. Connect the gearbox to the splined coupler on the drive line and bolt on the gearbox using $\frac{1}{2}$ " x 1" hex bolts and lock washers. Bolt the gearbox plate (#7) to the top of the gearbox with the ring on the drive side. The extension shield holder (#8) bolts on top of the plate with the welded bolt turned towards the top of the auger. Use the same hardware as for the gearbox.

3. Page 20: Mount the driveline shields (#10) starting at the top of the auger before you lift the auger. The final extension shield (#9) will be mounted after the auger is assembled. Bolt the extension shield to the shield holder (#8) using a $\frac{5}{16}$ " flat washer, lock washer and hex nut.
4. Page 23: Mount the two undercarriage arms (#1) and (#2) to the pivot pin under the welded gearbox mount using 2" washers (#19) and $\frac{5}{16}$ " x $2\frac{1}{4}$ " cotter pins (#20). Bolt the undercarriage arms to the axle (#14) using hex bolts, lock washers and hex nuts. ($\frac{1}{2}$ " x $3\frac{1}{4}$ " hex bolt). Slide the track roller assembly (#54) onto the track with the large roller turned to the bottom of the auger. Bolt the lift arm extension (#13) to the track roller using $\frac{5}{8}$ " x 6" hex bolts and lock nuts. Bolt the lift arm extension to the top of the two lift arms (#12). Use $\frac{5}{8}$ " x $4\frac{1}{2}$ " bolts, lock washers and hex nuts. Bolt the track stops (#16) (Pages 13-15) to the top and $10\frac{3}{4}$ " from the bottom of the track using $\frac{3}{8}$ " x $1\frac{1}{4}$ " hex bolts, lock washers and hex nuts. The cable anchor (#17) (Pages 13-15) bolts to the very bottom of the track using the same hardware. The bottom of the lift arms bolt to the inside of the welded axle brackets using bolts and lock nuts ($\frac{5}{8}$ " x 2). The right (#3) and left (#4) cross tubes bolt to the undercarriage using $\frac{1}{2}$ " x 3" hex bolts, lock washers and hex nuts and to the axle using $\frac{1}{2}$ " x $1\frac{1}{2}$ " hex bolts, lock washers and hex nuts. The R.H. brace is the one with the winch bracket. Make sure it is turned as shown in drawing.

ASSEMBLY INSTRUCTIONS – cont'd.

5. Page 23: Bolt the mounting plate (#16) to the undercarriage arms using 3/8" x 2 3/4" bolts, lock washers and hex nuts. Fit the slots in the winch bracket onto the right hand cross tube and slide against the welded stop. The slots in the winch bracket at 90° to the cross tube are turned up. Bolt in place using two connector plates and 3/8" x 1" hex bolts, lock washers and hex nuts. Bolt the winch (#15) to the winch bracket on the R.H. cross tube (#3) using 3/8" x 1" hex bolts, lock washers and hex nuts. Flat washers are supplied for bolts which go through slotted holes.
6. Page 23: Bolt the swivel pulley holder (#7) to the loops at the top and inside of the undercarriage using 5/16" x 2" hex bolts, lock washers and hex nuts. The pulley holder is offset on the shaft and should be assembled to the same side as the drive.
7. Page 34: Thread the cable (#1) as shown in the drawing. From the winch the cable goes around the cable pulley on the idler plate. From there you go around the swivel and around the groove in the bottom roller of the track roller assembly. The end of the cable is clamped to the cable anchor at the bottom of the track assembly. Clamp to the winch spool using the clamps supplied with the winch.
8. Page 23: A clevis holder (#11) bolts to the top end of one undercarriage arm using a 3/8" x 3" hex bolt, lock washer and hex nut. This holder is used as a place to leave the intake swivel clevis when it is removed prior to inserting the auger in a bin.
9. Page 23: Mount the wheels (#48) and tires on the axle using 1/2" wheel bolts.

PTO BELT DRIVE AUGERS: Page 26

10. a) Install the hanger (#15) between the welded brackets near the bottom of the undercarriage using the 1" shaft (#17) and two 1/4" x 1 1/2" cotter pins. Turn as shown in drawing.
- b) Bolt the PTO mount assembly (#20) to the hanger using 1/2" x 1 1/4" hex bolts, lock washers and hex nuts.
- c) Bolt the guard plate (#3) to the back of the sheave guard (#1) using 1/4" x 1/2" bolts, lock washers and hex nuts. Slide onto the welded ring on the PTO mount (#20). The guard is held on by a ring (#40) with two 5/16" x 3/4" set screws and hex nuts. Hinge on guard must be up.
- d) Attach the 12" sheave (#38) to the arbor shaft (#21) using a 1/4" x 3 3/8" key and set screws.
- e) A 13 3/4" pivot arm (#54) bolts to the inside of the guard with a 3/8" x 1" hex bolt and lock nut and to the undercarriage with a 3/8" x 2 3/4" hex bolt and lock nut. Turn as shown in drawing.
- f) Bolt a guard plate (#3) to the 6" guard (#4). Attach to the welded ring on the gearbox plate. The guard is held on by a ring (#40) mounted as in Step C. Hinge on guard must be up.
- g) Bolt the 9" long guard pivot arm (#58) to the back of the guard using 5/16" x 3/4" hex bolts, lock washers and hex nuts. A 10" pivot arm (#5) bolts to the end of the 9" arm and to the undercarriage. Turn arm as shown in drawing.

ASSEMBLY INSTRUCTIONS – cont'd.

- h) Mount the 6" sheave (#37) on the gearbox. Fasten with a 3/8" key and set screws.
- i) Align the sheaves with the tube and mount belts (#53).
- j) Bolt the belt tightener (#16) under the gearbox with the bevel to the intake end using 3/8" x 3" bolts and lock nuts. The outer tightener tube (#11) bolts to the brackets using 1/2" x 3" bolts and lock nuts. The inner tightener tube (#14) slides into the outer and bolts to the bottom of the hanger (#15) using a 1/2" x 3" bolt and lock. Tension belts and hold in place using the set screw in the outer tube.
- k) Bolt a guard plate (#2) on the outside of the 6" guard (#4) to cover the opening using 1/4" x 1/2" hex bolts, lock washers and hex nuts. Bolt the guard mount (#55) to the outside of the 12" guard with the same size of hardware. Slide the flexible PTO guard (#56) and the guard clamp (#57) on to the PTO shaft (#6). Attach the PTO shaft using 1/4" key, set screws and clamp bolt. Securely tighten set screws and clamp bolt. After mounting the PTO, clamp on the flexible PTO guard using a 5/16" x 1 1/4" hex bolt, lock washer and hex nut.
- l) Bolt the PTO cradle (#63) & (#64) onto the lift arm for transport position. A pin in the cradle keeps the PTO shaft from falling out during transport.
- m) When the belts and sheaves are aligned, bolt the bottom edges of both guards together using 1/4" x 1/2" hex bolts, lock washers and hex nuts.

ENGINE BELT DRIVE AUGERS: Page 29:

- 11. a) Install the hanger (#15) between the welded brackets near the bottom of the undercarriage using the 1" shaft (#17) and two 1/4" x 1 1/2" cotter pins. Turn as shown in drawing.
- b) The motor mount (#19) should be installed so the handle is toward the axle. Use 1/2" x 1 1/4" hex bolts, lock washers and hex nuts.
- c) The motor mount spacer (#24) and the guard mount (#23) fit under the motor base and are bolted on together with the gas motor. The ring on the guard mount is used to clamp on the guard for the motor sheave.
- d) Bolt the guard plate (#3) to the back of the 12" guard (#1) using 1/4" x 1/2" bolts, lock washers and hex nuts. Slide onto the welded ring on the gearbox plate. The guard is held on by a ring (#40) with two 5/16" x 3/4" set screws and hex nuts. Hinge on guard must be up.
- e) Mount the 12" sheave (#38) on the gearbox using a key (3/8" x 3 3/8") and set screws.
- f) A 10 3/4" pivot arm (#5) bolts to the inside of the guard with a 3/8" x 1" hex bolt and lock nut and to the undercarriage with a 3/8" x 2 3/4" hex bolt and lock nut. Turn as shown in drawing.
- g) Bolt the clamp plate (#6) to the back of the engine sheave guard. Turn as shown in drawing. Clamp the guard to the welded ring on the guard mount (#23) using 5/16" x 1 1/4" hex bolts, lock washers and hex nuts. Hinge on guard must be up.

ASSEMBLY INSTRUCTIONS – cont'd.

- h) Mount the engine sheave (#37) on the gas engine. This sheave must be supplied by the customer.
 - i) Align the sheaves with the tube and mount the belts (#18).
 - j) The next step in assembly is to bolt the idler guard arm (#42) to the idler mounting plate using 5/16" x 2" hex bolts, lock washers and hex nuts. Bolt the idler guard (#43) to this arm using 5/16" x 1" hex bolts, lock washers and hex nuts. The idler sheave assembly bolt fits through the slots in the arm and guard. A flat washer on the idler bolt is placed on each side of the slot.
 - k) Bolt the belt tightener brackets (#16) under the gearbox with the bevel to the intake end using 3/8" x 3" bolts, lock washers and hex nuts. The outer level rod (#11) bolts to the brackets using 1/2" x 3" bolts and lock nuts. The inner tightener tube (#14) slides into the outer and bolts to the bottom of the hanger (#15) using 1/2" x 3" bolt and lock nut. Tension belts and hold in place using the set screw in the outer rod.
 - l) Bolt a guard plate (#2) on the outside of both sheave guards using 1/4" x 1/2" hex bolts, lock washers and hex nuts.
 - m) The quick release on the motor mount (#19) is used when starting the engine and to stop the auger without shutting off the engine.
 - n) When belts, sheaves and idler are aligned, bolt the bottom edges of all guards together using 1/4" x 1/2" hex bolts, lock washers and hex nuts.
12. **DIRECT DRIVE AUGERS:** Page 32
- a) Bolt the PTO holder (#9) to the welded bracket on the tube using 3/8" x 1" hex bolts lock washers and hex nuts. A pin (#7) holds the PTO in place during transport.
 - b) Mount the PTO guard holder (#14) to the welded ring on the gearbox plate using a 4" I.D. clamp (#15) with 5/16" x 1 1/4" hex bolts, lock washers and hex nuts.
 - c) Slide the flexible PTO guard (#2) and the guard clamp (#3) onto the PTO shaft. Attach the PTO shaft using a key, (3/8" x 2") set screws and clamp bolt. Securely tighten the set screws and clamp bolt. After mounting the PTO, clamp on the flexible PTO guard using a 5/16" x 1 1/4" hex bolt, lock washer and hex nut.

 **ALERT:**

13. Re-check and tighten all bolts. Of particular importance are.
- 1) Cable clamps!!!
 - 2) Bolts on track roller assembly.
 - 3) Bolts on lift arm joining axle and extension tube.
 - 4) Bolts joining undercarriage, cross tubes and axle.
 - 5) Gearbox mounting bolts.
 - 6) Pulley set screws.
 - 7) All bolts on shields.
 - 8) Wheel bolts.
 - 9) Set screws and clamp bolts holding on PTO shaft.

ASSEMBLY INSTRUCTIONS –cont'd.

14. **NOTE:** 1) Gearbox is shipped without oil. Add oil as described in Section 2.
2) Do not exceed 600 RPM flighting speed when operating auger.
3) An external chain tightener is supplied with all augers.

**ALERT:**

- 1) High position: it is dangerous to move auger in raised position in vicinity of electrical lines.
- 2) Keep all shields and guards in place.
- 3) Turn off power when servicing or unplugging auger.
- 4) Check that intake guard bolts are tight and that the swivel clevis pin has the hitch pin in place before transporting the auger.

CLAMP-ON MOTOR MOUNT INSTRUCTIONS

1. The procedure is the same for belt drive or direct drive. Bolt the motor mount stand (#1) and two clamps (#2) to the tube using 3/8" x 2" hex bolts, lock washers and hex nuts. Tighten these bolts when exact position is determined with the pulleys and belts mounted.

NOTE: The motor mount cannot be mounted below the gearbox on belt drive augers.


2. Bolt the motor mount assembly (#6) to the stand using 1/2" x 1 1/4" hex bolts, lock washers and hex nuts. Mount the electric motor (#30) (supplied by customer) to the motor mount. A triple B-groove sheave is required. Do not tighten bolts until both sheaves are aligned. The electric motor is a 1725-rpm with at least 20hp. Sheave sizes are: direct drive – 3 1/2"; belt drive – 6". Pulleys are mounted after the guard is in place. Electric motor sheave is supplied by customer.
3. Mount the belt guard assembly (#7) (hinge up). The bottom end of the guard clamps to the ring on the gearbox plate weldment (#4) using a 4" clamp (#8) and 5/16" x 1 1/4" hex bolts, lock washers and hex nuts. A guard-mounting bracket (#9) holds the top end. Use 5/16" x 1" and 1/2" x 1 1/2" hex bolts with lock washers and hex nuts. There are two sets of holes in the guard and two holes in the motor mount stand. Use appropriate holes and slot in mounting bracket to adjust guard height to match height of the motor shaft.
4. Mount the 12" triple sheave on the gearbox using key and set screws supplied. Mount the motor sheave and align the two sheaves with the auger tube. Tighten sheave set screws and motor mount bolts after sheaves are aligned. Mount the belts on the sheaves. Adjust stand position to fit belt length and tighten stand bolts. The motor mount handle acts as a belt tightener. Adjust sheave position as required so they are approximately in the middle of the guard.


OPERATING INSTRUCTIONS

All augers may be elevated up to 45°: however, for best operating efficiency, 35° should not be exceeded. At angles over 35° the capacity and life of the auger decreases.

Never operate an empty auger for over one minute, as the flighting and housing will experience excessive wear.

To position the auger, always tow or move the auger in the down position to a point as close as possible to the bin or barn.

 **CAUTION:** Always keep the wheels level. Raise the auger to the desired height and back the auger into position. Rest the head on some support. As an auger is emptied the head becomes heavy, the tail becomes light, and the auger could tip.


 **CAUTION:** Never place blocks under the wheels to increase the elevation of the auger.

Be sure the wheels are free to move and no one is standing close to the auger when raising or lowering. Never attempt to raise or lower the auger while it is in operation.

The auger is equipped with a safety brake winch. The auger may be raised or lowered by simply turning the winch handle in the proper direction until the desired discharge height is obtained.

Never have less than three wraps of cable on the drum of the winch.

NOTE: Arrow on winch shows proper direction of rotation. Improper rotation may cause winch brake failure.

 **CAUTION:** All wiring should be done by a competent electrical contractor to assure the electric motor is receiving the correct voltage and the cable will carry the correct load.

The life of a motor is greatly reduced if it is run at too high or too low voltage. Also, a motor cannot develop full power if the cable is too small. The electrical supply to each motor should include an enclosed safety switch or circuit breaker of the correct size to protect the motor from being overloaded. The switch should be under a padlock to prevent the motor from being turned on by accident while working on or moving the auger. This will also prevent unauthorized persons or children from operating the motor. A magnetic starter should be used to shut off the motor in case of low voltage, loss of power, or overloading the motor.


The electric motor must then be started manually.

Power take-off drives are designed for tractors with 540 RPM power take off and should not be run by tractors with 1000 RPM power take-off.

OPERATING INSTRUCTIONS – cont'd.

CAUTION: Always check to see that both ends of the PTO shaft are securely attached before using any PTO drive auger. This should always be done with the tractor shut off.

To assure a long life from a PTO tumbler shaft, operate the shaft at the least angle possible and always keep the tractor axle parallel to the side of the auger housing.


 **CAUTION:** Always maintain at least a 6" lap on the tumble shields. Be sure they turn freely and make certain everyone stands clear of the tractor, tumbler shaft, and auger before engaging power take-off. Be sure ends are securely connected to the auger and tractor.

Before engaging power take-off, start tractor and idle engine. Engage power take-off slowly and bring PTO RPM up to recommended speed of 500 RPM.

Before stopping auger (except in an emergency) let all grain empty out of the auger, idle engine then disengage power take-off. Shut off tractor.

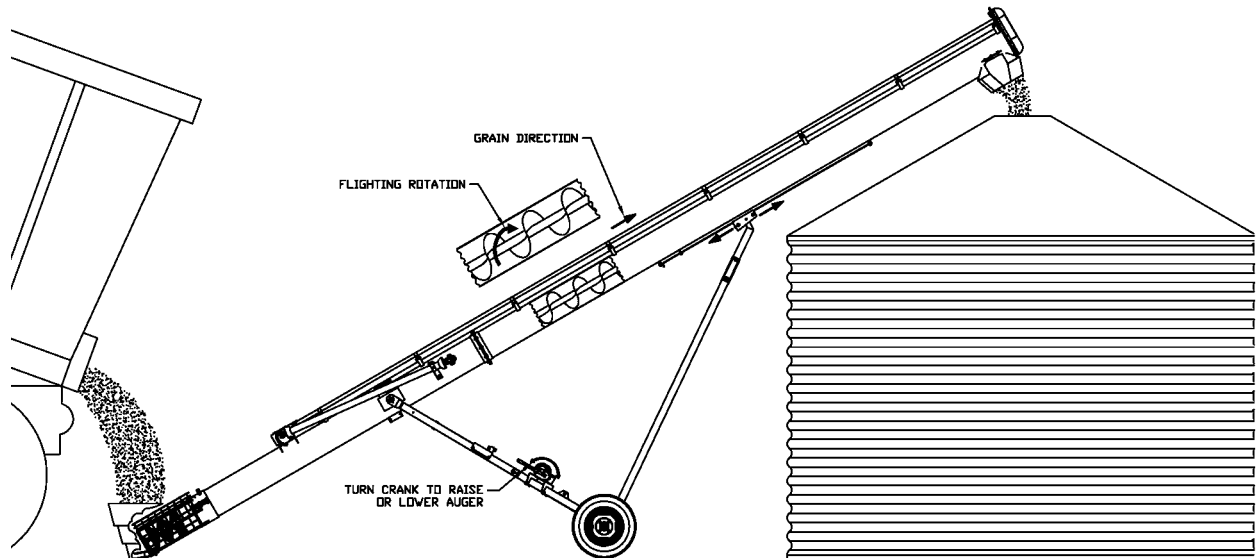
NOTE: When operating an auger for the first time when new or at the beginning of a season, run only partially full until flighting becomes polished. It is always a good idea to check the flighting for freedom of movement by turning pulley or tumbler shaft by hand before connecting to a power source. Other items to check are the head (spout) and intake cage for bird nests or other obstructions before starting the auger.

IMPORTANT: Always lower auger before transporting and allow the weight of the auger to rest on the winch cable and not on the transport stops.

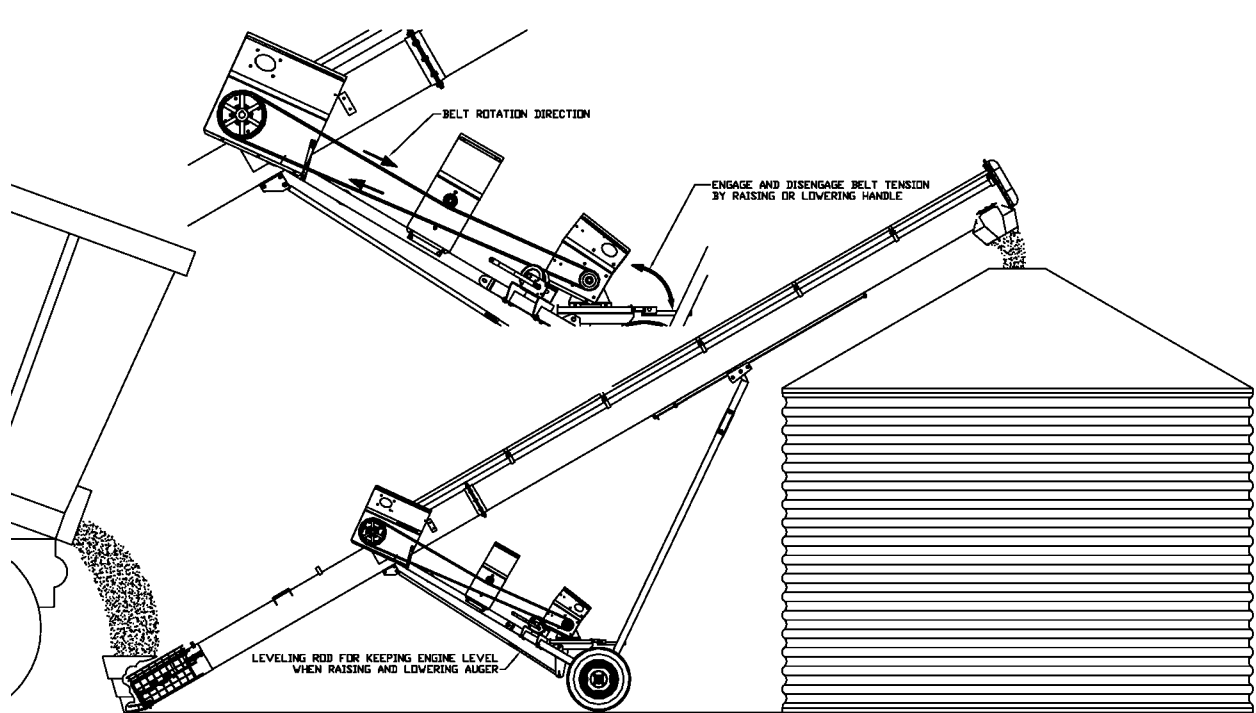
 **CAUTION:** When towing the auger, never exceed 32 kilometers per hour.

Always use a flag, or at night, a signal light when towing an auger on a road. Check your local regulations for further safety devices in this regard.

THEORY OF OPERATIONS

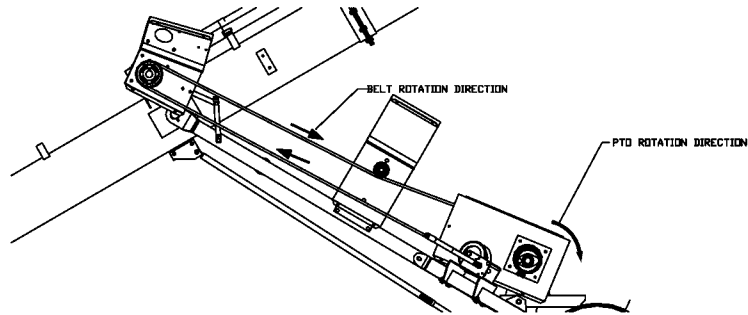
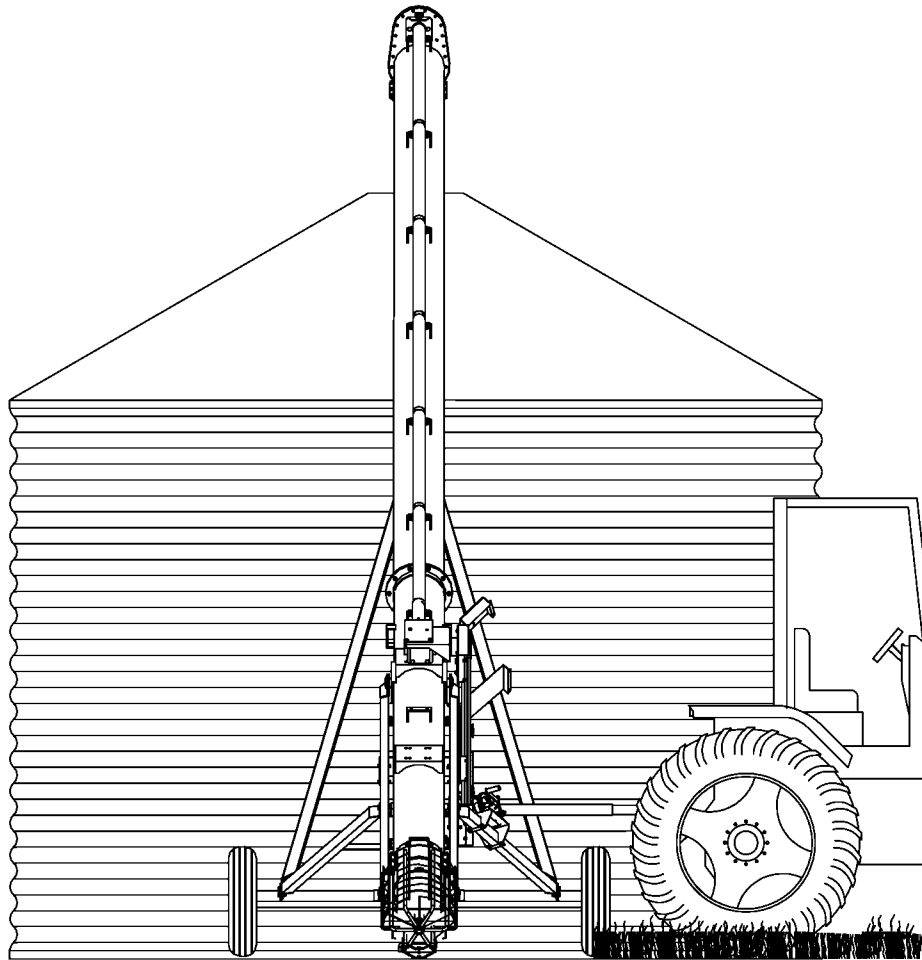


CA-41



CA-42

THEORY OF OPERATIONS – cont'd.



CA-43

MAINTENANCE AND LUBRICATION

Check condition of winch cable occasionally and replace if it shows wear. The wear will occur on the first few wraps around the drum of the winch.

The main thing to check on the cable is for broken strands or rust, which penetrates the cable core. This is particularly important if the auger is more than a few years old.

Lubricate the PTO tumbler shaft universal joints every five hours. Grease the PTO shear yoke before using PTO for the first time.

Oil the moving parts of the winch two times per year.

Check the oil level of the gearbox one time per year and maintain the level at $\frac{1}{2}$ full. Use SAE90.

The plastic chain guard at the top of the auger must be removed to inspect or replace the chain and sprockets. When replacing the plastic guard, clean off the residue from the old silicone and apply a fresh bead using a caulking gun. There must be about 2 pounds of grease in the guard. The bolts should be tightened in a criss-cross sequence to ensure proper seating of the guard. The bolts are a $\frac{1}{4}$ " grade 5 which should be torqued to about 9 foot pounds using a torque wrench.

After every 40 hours of use, add approximately 10 squirts of grease to chain cover at the top of the auger.

NOTE: When replacing bearings or tightening a loose bearing collar, always tighten collar in the direction of shaft rotation using a center punch or a similar tool.

If the auger is towed extensively, the wheel bearings should be repacked at least semi-annually. Keep tire pressure at 37 psi maximum.

STORAGE

The auger should be stored in a dry place if possible. If stored outside, lower auger to its lowest position and tie the tail end down so that no one can accidentally overturn it.

Clean auger thoroughly as dirt draws moisture and causes metal to rust. If the auger has been used to move fertilizer, clean thoroughly and apply oil or grease on entire flighting and inside the housing to stop and prevent further corrosion.

Remove belts and store in a cool dry place if auger is to be left outdoors.

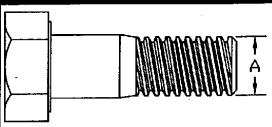
At this time check all moving parts for wear and order replacement parts from your nearest dealer.

When taking the auger out of storage, clean it thoroughly and check for obstructions at the inlet and outlet ends. Check the oil in the gearbox.

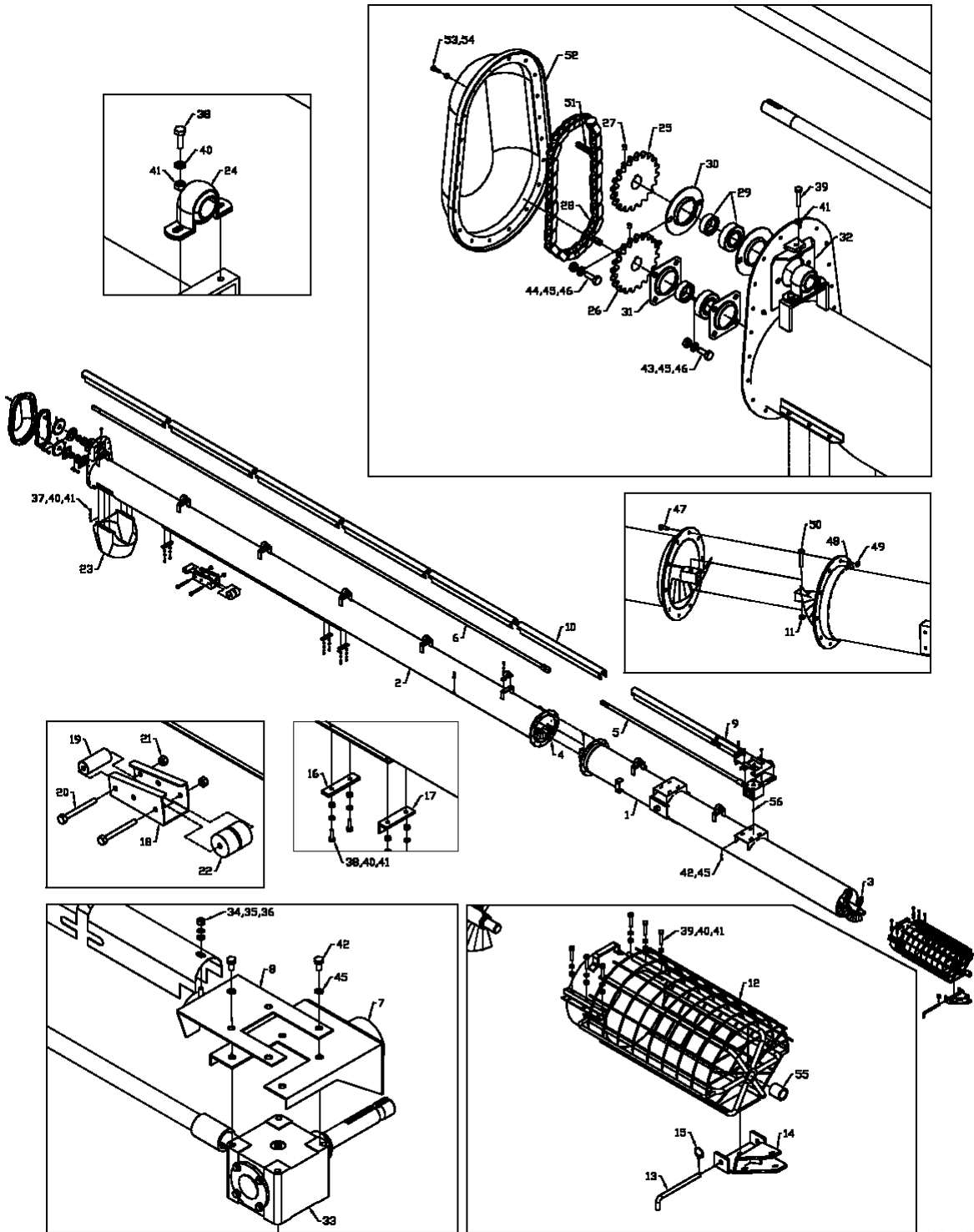
Check all bolts and set screws.

Regularly check the tightness of all cable clamps to avoid slipping.

Inspect wire rope regularly for evidence of wear or corrosion. Such inspections should take place at progressively shorter intervals over the useful life of the rope, as wear tends to accelerate with use and/or age. Where wear is rapid, the outside of a wire rope will show flattened surfaces in a short time. A piece of cloth or rag, rubbed along the wire rope will help to reveal broken wires. The effects of corrosion are not easy to detect because the exterior wires may appear to be only slightly rusty, and the damaging effects of corrosion may be confined to the hidden inner wires where it cannot be seen. To prevent damage by corrosion, the rope should be kept well lubricated. Periodic cleaning of wire rope by using a stiff brush and kerosene or with compressed air or live steam and relubricating will help to lengthen rope life and reduce abrasion and wear on sheaves and drums.

Bolt Torque						
 Bolt Diameter	SAE2		SAE5		SAE8	
	N.m	lb-ft	N.m	lb-ft	N.m	lb-ft
"A"						
1/4"	8	6	12	9	17	12
5/16"	13	10	25	19	36	27
3/8"	27	20	45	33	63	45
7/16"	41	30	72	53	100	75
1/2"	61	45	110	80	155	115
9/16"	95	70	155	115	220	165
5/8"	128	95	215	160	305	220
3/4"	225	165	390	290	540	400
7/8"	230	170	570	420	880	650
1"	345	225	850	630	1320	970

TUBE ASSEMBLY



CA-32

WHEN ORDERING PARTS

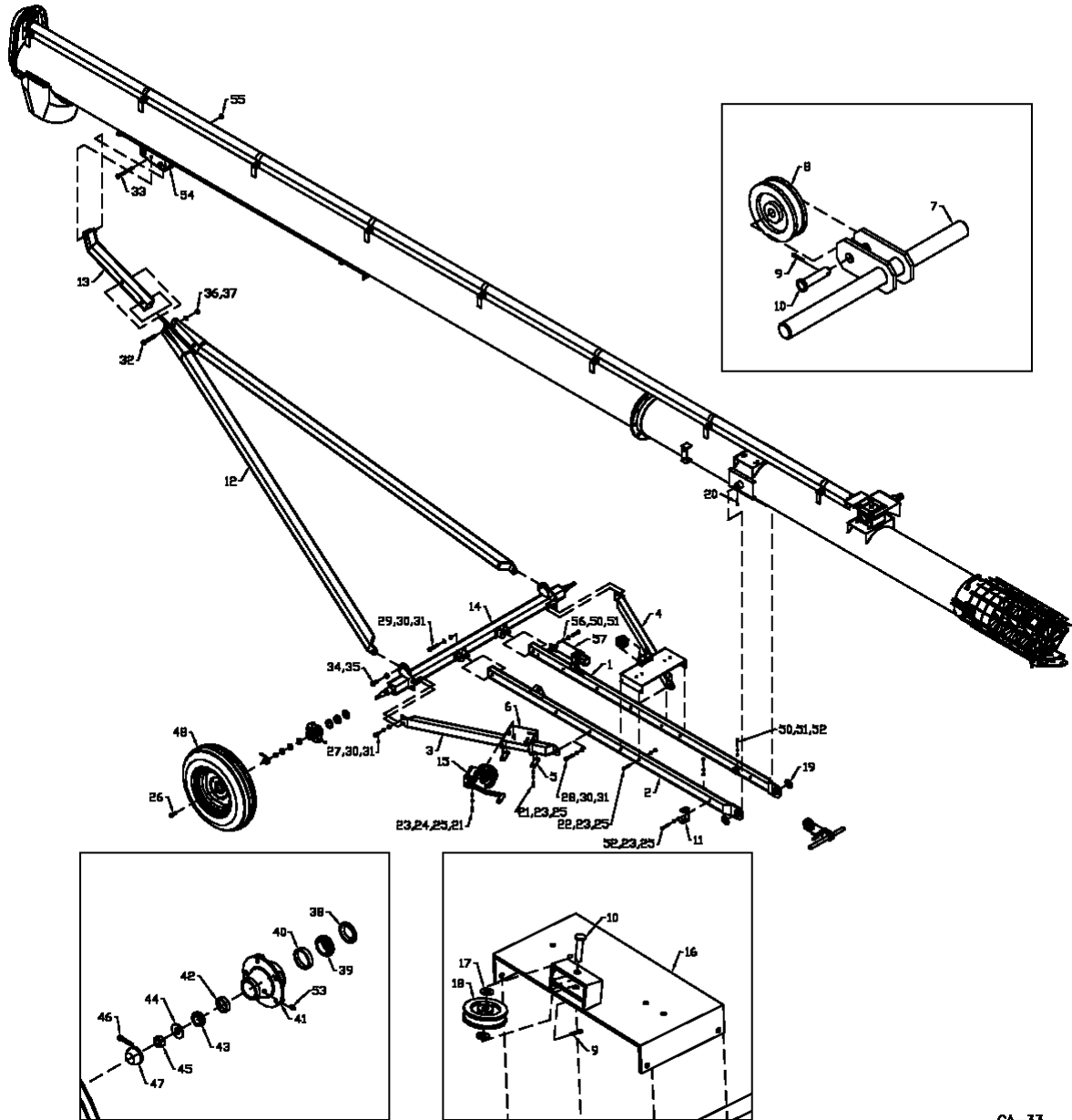
Always give your dealer the Model, Color and Serial Number of your machine to assist him in ordering and obtaining the correct parts. Use the exploded view and tabular listing of the area of interest to exactly identify the required part.

TUBE ASSEMBLY

Item #	Part #	Description
1	905460	Extension Auger Weldment 13" x 12.5' Lg
2	905463	Basic Auger Weldment 13" x 22' Lg
3	905482	Extension Auger Flighting Weldment
4	905485	Basic Auger Flighting Weldment
5	905472	Direct Drive Extension Drive Line Weldment 78 3/4" Lg
	905468	Belt Drive Extension Drive Line Weldment 30 3/4" Lg
6	905474	Drive Line Tube Weldment 262 1/2" Lg
7	906093	Gearbox Plate Weldment
8	961346	Extension Shield Holder Weldment
9	906078	Drive Line Shield 12 1/4" Lg (7 Req'd per Direct Drive / 6 Req'd per Belt Drive)
10	906077	Drive Line Shield 49 1/2" Lg
11	812364	1/2" Lock Nut (pl)
12	905996	Intake Guard Weldment
13	906100	Clevis Pin 5/8" x 11 1/4"
14	905527	Clevis Hitch Weldment
15	966729	3/16" Linch Pin
16	905489	Track Stop 1 1/4" x 5 1/2"
17	961350	Cable Anchor 1 1/2" x 5 1/8"
18	961354	Track Roller Frame 7 Ga
19	902365	Roller 2" O.D. x 4 1/2" Lg
20	812087	5/8" x 6" Hex Bolt (pl)
21	812482	5/8" Lock Nut (pl)
22	902364	Track Roller 3.35" O.D. x 4 1/2" Lg
23	F9716	Discharge Spout 13"
24	906588	Bearing & Flange Set 1 1/2" - Wooden
	906587	Bearing Only 1 1/2" - Wooden
25	906086	Sprocket 80B 20T w/ 1 1/2" Bore (Direct Drive)
	960719	Sprocket 80B 15T w/ 1 1/2" Bore (Belt Drive)
26	906086	Sprocket 80B 20T w/ 1 1/2" Bore (Direct Drive)
	906084	Sprocket 80B 28T w/ 1 1/2" Bore (Belt Drive)
27	988999	Socket Setscrew 3/8" x 3/8"
28	906473	Chain #80 41 Link Include Connector Plus Offset (Direct Drive)
	906557	Chain #80 44 Link Include Connector (Belt Drive)
29	968627	1 1/2" Bearing w/ Collar

30	906092	Flange Bearing (80mm-4R x 2Hole) Pair
31	967260	Flange Bearing (80mm - 4 Hole) Pair
32	906083	Chain Tightener Bracket Weldment
33	907207	Gear Box Assy
	907413	Optional Reverse Gear Box Assy
34	81570	5/16" Flat Washer (pl)
35	81569	5/16" Lock Washer (pl)
36	81568	5/16" Lock Washer (pl)
37	86170	3/8" x 1" Hex Bolt (pl)
38	86171	3/8" x 1 1/4" Hex Bolt (pl)
39	811795	3/8" x 2" Full Thread Hex Bolt (pl)
40	81593	3/8" Lock Washer (pl)
41	81592	3/8" Hex Nut (pl)
42	81619	1/2" x 1" Hex Bolt (pl)
43	812768	1/2" x 1 1/4" Hex Bolt (pl)
44	812217	1/2" x 1 1/2" Carriage Bolt (pl)
45	81637	1/2" Lock Washer (pl)
46	81636	1/2" Hex Nut (pl)
47	81598	7/16" x 1 1/4" Hex Bolt (pl)
48	81615	7/16" Lock Washer (pl)
49	81614	7/16" Hex Nut (pl)
50	9812368	1/2" x 2 3/4" (Gr8) Hex Bolt (pl)
51	968807	Key 3/8" Sq. x 2" Lg
52	906581	Plastic End Cover
53	967473	1/4" x 3/4" Flange Hex Bolt (pl)
54	967474	1/4" Flange Hex Nut (pl)
55	905995	Brass Bushing 2" OD x 1 1/2" ID x 2" Lg
56	81638	1/2" Flat Washer (pl)

UNDERCARRIAGE, AXLE & LIFT ARM ASSEMBLY



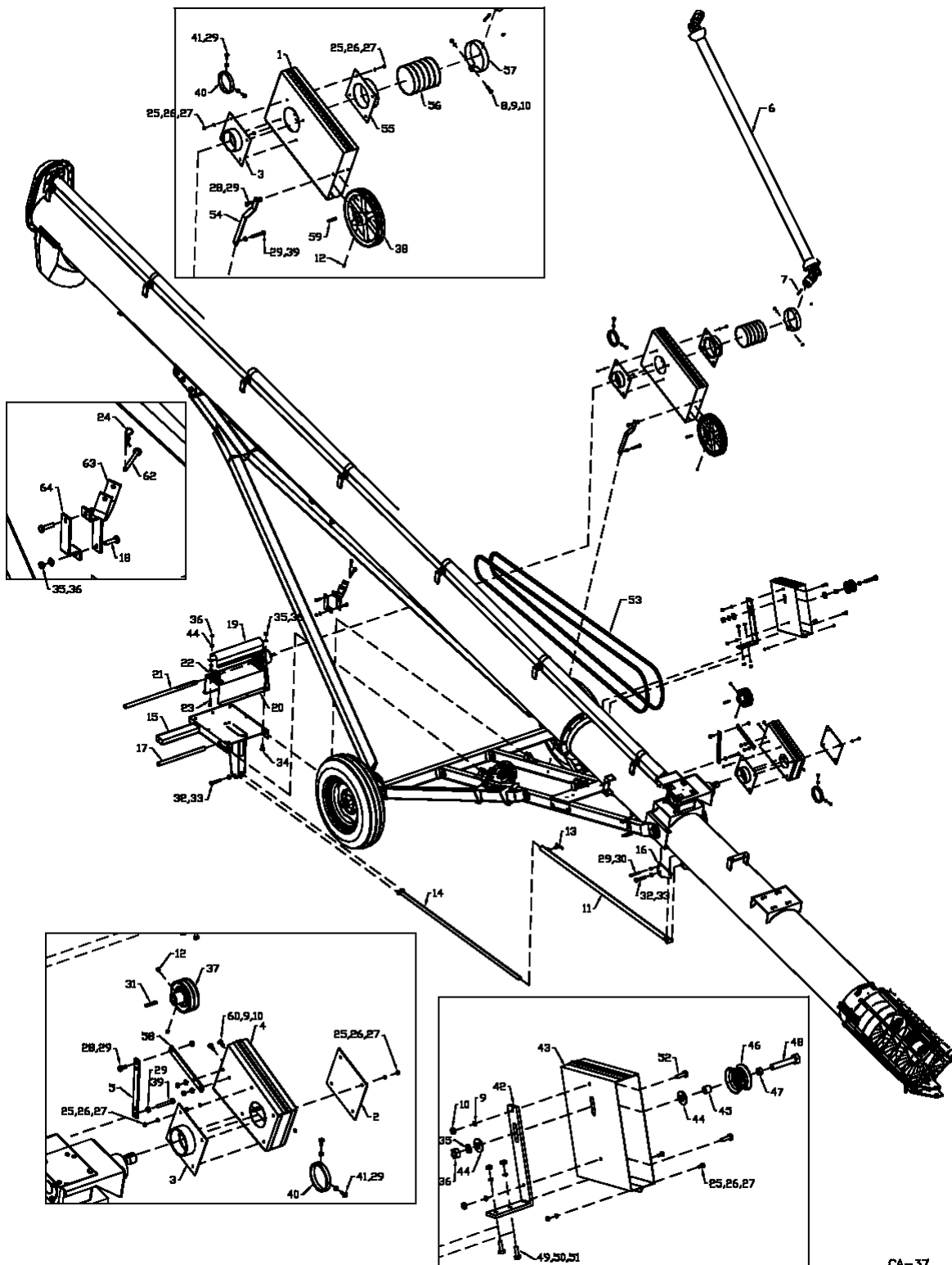
CA-33

UNDERCARRIAGE, AXLE & LIFT ARM ASSEMBLY

Item #	Part #	Description
1	909548	Undercarriage Arm 2" x 3" x 108" - L
2	905582	Undercarriage Arm 2" x 3" x 108" - R
3	905584	Cross Tube Weldment 2" x 3" x 44" - R
4	905585	Cross Tube Weldment 2" x 3" x 44" - L
5	903402	Connector Plate 1 1/4" x 4 3/8"
6	903401	Winch Bracket 8 1/4" x 19"
7	905587	Swivel Pulley Holder Weldment
8	961846	4" Cast Cable Pulley
9	9812430	1/8" x 1" Cotter Pin (pl)
10	961010	1/2" x 2 1/8" Clevis Pin
11	903392	Clevis Holder 1 1/4" x 9 1/8"
12	905639	Lift Arm Weldment 3" x 3" x 116"
13	961330	Lift Arm Extension Weldment
14	905576	Axle Weldment 3" x 3" x 72"
15	961945	K2550 Winch
16	905493	Idler Mounting Plate Weldment
17	84048	1/2" SAE Flat Washer BS (pl)
18	961846	4" Cable Pulley 1/2" Bore
19	967153	2" x 10 Ga Rim Washer (pl)
20	967913	5/16" x 2 1/4" Cotter Pin
21	86170	3/8" x 1" Hex Bolt (pl)
22	967488	3/8" x 2 3/4" Hex Bolt (pl)
23	81593	3/8" Lockwasher (pl)
24	84000	3/8" Flat Washer (pl)
25	81592	3/8" Hex Nut (pl)
26	968404	1/2" Wheel Bolt (pl)
27	84277	1/2" x 1 1/2" Hex Bolt (pl)
28	81627	1/2" x 3" Hex Bolt (pl)
29	81628	1/2" x 3 1/4" Hex Bolt (pl)
30	81637	1/2" Lock Washer (pl)
31	81636	1/2" Hex Nut (pl)
32	81672	5/8" x 4 1/2" Hex Bolt (pl)
33	812087	5/8" x 6" Hex Bolt (pl)
34	81684	3/4" x 2 1/4" Hex Bolt (pl)
35	812365	3/4" Lock Nut (pl)
36	81676	5/8" Hex Nut (pl)
37	81677	5/8" Lock Washer (pl)
38	968430	Oil Seal (SE14X)
39	967208	Inner Cone (LM67048)
40	968412	Inner Cup (LM67010)

41	968403	5-Bolt Hub w/ Bearing Cups
	968431	H516 Hub Assembly
42	968405	Outer Cup (LM11910)
43	968406	Outer Cone (LM11949)
44	9812416	3/4" S.A.E. Washer
45	81834	3/4" Slotted Hex Nut (br)
46	9812486	1/8" x 1 1/2" Cotter Pin
47	968409	Dust Cap (DC12)
48	F0110	15" x 5" x 5-Bolt Wheel
49	810640	5/16" x 2" Hex Bolt (pl)
50	81569	5/16" Lock Washer (pl)
51	81568	5/16" Hex Nut (pl)
52	81583	3/8" x 3" Hex Bolt (pl)
53	967900	1/4" Grease Fitting
54	904942	Track Roller Assembly
55	812482	5/8" Lock Nut (pl)
56	909277	Manual Holder
57	810582	5/16" x 3" Hex Bolt (pl)

PTO BELT DRIVE ASSEMBLY



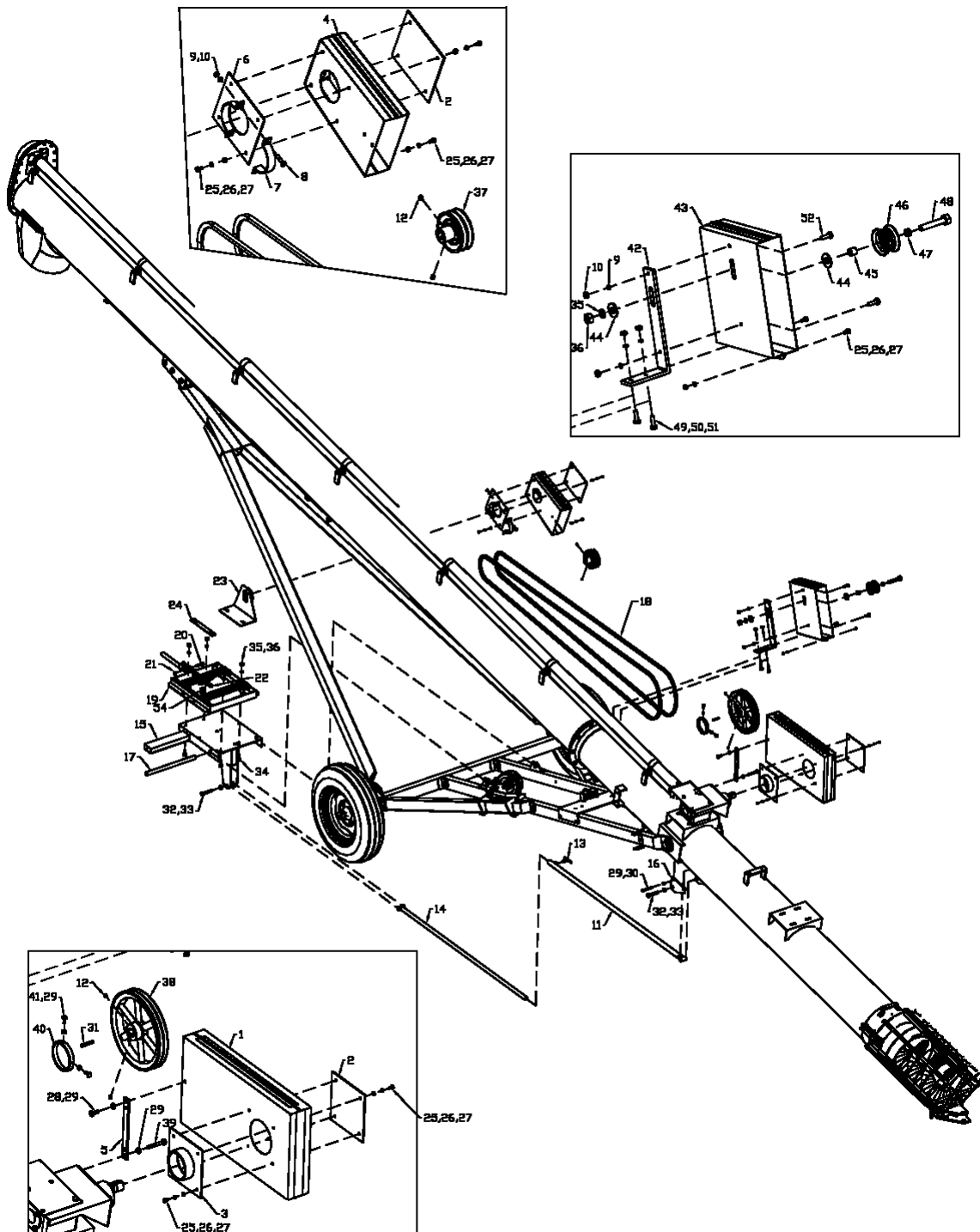
CA-37

PTO BELT DRIVE

Item #	Part #	Description
1	961370	12" Guard Weldment
2	961358	Guard Mount Plate 8" x 8"
3	961357	Guard Plate Weldment
4	961356	6" Sheave Guard Weldment
5	906079	Guard Pivot Arm 1" x 10"
6	F0466	Pto Shaft
7	968811	1/4" x 1/4" x 2" Key
8	81552	5/16" x 1 1/4" Hex Bolt (pl)
9	81568	5/16" Hex Nut (pl)
10	81569	5/16" Lock Washer (pl)
11	908702	1 5/16" x 55" Outer Tube Weldment
12	81213	3/8" x 1" Square Head Set Screw
13	961647	1/2" Tightener Screw
14	961694	Inner Tube Weldment 1" x 57"
15	905593	Hanger Weldment
16	961372	Belt Tightener Brkt 4" x 6"
17	905594	Hanger Swivel Shaft 1" x 16 1/4"
18	811792	3/8" x 1 1/2" Hex Bolt (pl)
19	961367	20 Ga x 12 3/4" Arbor Shaft Shield
20	961363	Pto Mount Weldment
21	961365	Pto Arbor Shaft 1 1/4" dia x 25" Lg
22	973223	1 1/4" Pillow Bearing w/ Collar
23	811791	1/2" x 2" Hex Bolt (pl)
24	12780	#7 Hair Pin Clip
25	81523	1/4" x 1/2" Hex Bolt (pl)
26	81545	1/4" Lock Washer (pl)
27	81544	1/4" Lock Nut (pl)
28	86170	3/8" x 1" Hex Bolt (pl)
29	812363	3/8" Lock Nut (pl)
30	81583	3/8" x 3" Hex Bolt (pl)
31	967044	3/8" x 3/8" x 3 3/8" Key (pl)
32	81627	1/2" x 3" Hex Bolt (pl)
33	812364	1/2" Lock Nut (pl)
34	81620	1/2" x 1 1/4" Hex Bolt (pl)
35	81637	1/2" Lock Washer (pl)
36	81636	1/2" Hex Nut (pl)
37	961074	6" Triple Sheave (1 1/2" Bore)
38	961004	12" Triple Sheave (1 1/4" Bore)
39	967488	3/8" x 2 3/4" Hex Bolt (pl)
40	961383	Guard Holder Ring 4 1/2" OD x 5/8" Lg

41	9812377	5/16" x 3/4" Sq. Head Set Screw (pl)
42	903588	Idler Guard Arm 2" x 18 1/4"
43	961696	Idler Guard Weldment
44	81638	1/2" Flat Washer (pl)
45	961699	Spacer .840" O.D. x .622" I.D. x 1/2" Lg
46	961001	Idler Sheave Single Flange
47	962000	Spacer .840" O.D. x .622" I.D. x 3/8" Lg
48	967911	1/2" x 5" Hex Bolt Gr.8 (pl)
49	86171	3/8" x 1 1/4" Hex Bolt (pl)
50	81593	3/8" Lock Washer (pl)
51	81592	3/8" Hex Nut (pl)
52	812026	5/16" x 1" Hex Bolt (pl)
53	907059	Belt B221
54	961371	Guard Pivot Arm 1" x 13 3/4"
55	961368	Guard Weldment 10 Ga x 8" x 8"
56	961201	Flexible Guard 6" OD x 6 1/2" Lg
57	961200	Guard Clamp 16 Ga x 1 1/4" x 21 1/2" Lg
58	961359	Guard Pivot Arm 9" Lg
59	961384	1/4" x 1/4" x 3 3/8" Key
60	81549	5/16" x 3/4" Hex Bolt
62	961539	Pto Holder Pin 3/8" dia x 4 1/2" Lg
63	961380	Pto Holder Weldment
64	961382	Pto Holder Bracket
65	811792	3/8" x 1 1/2" Hex Bolt (pl)

ENGINE DRIVE ASSEMBLY

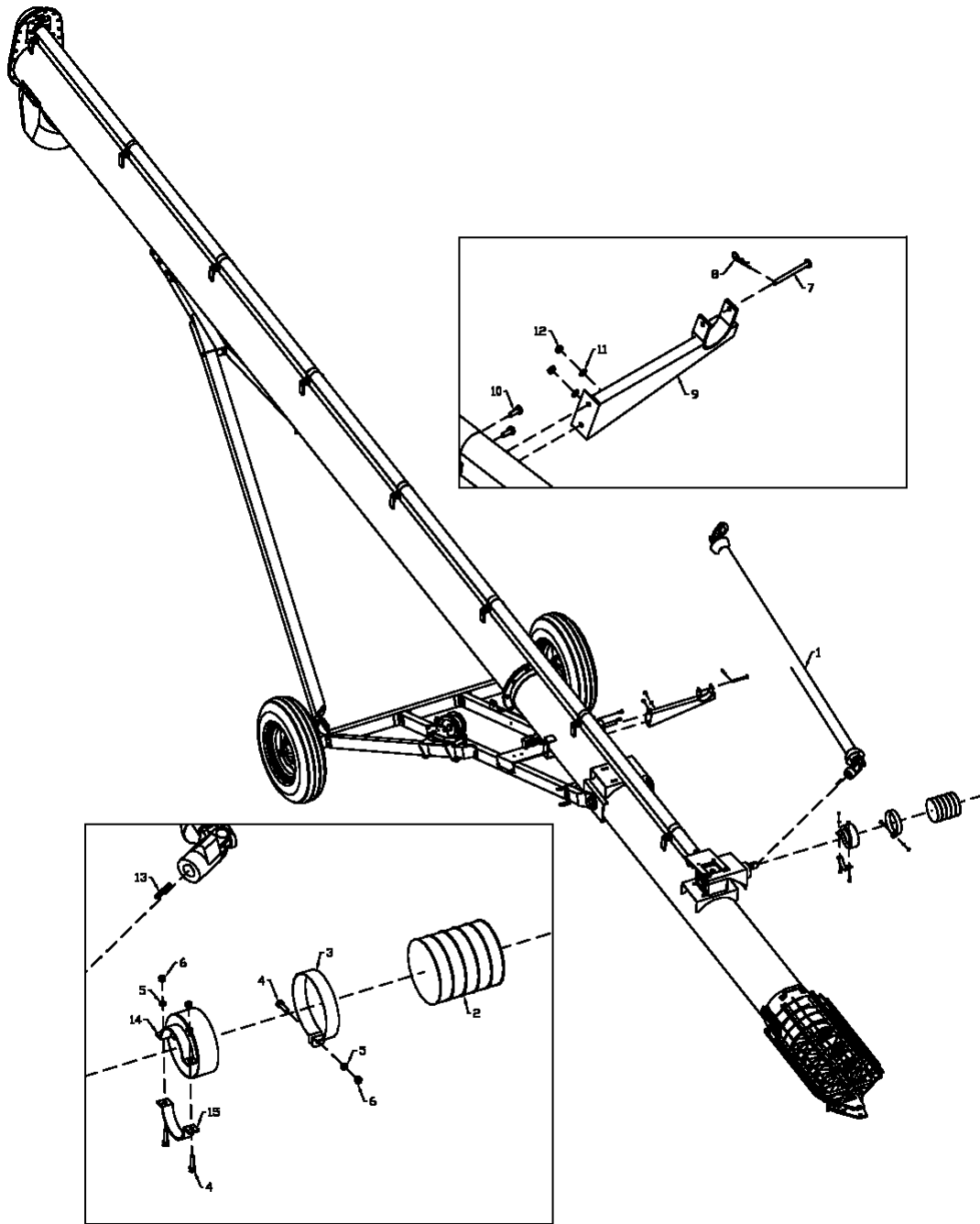


ENGINE BELT DRIVE

Item #	Part #	Description
1	961370	12" Guard Weldment
2	961358	Guard Mount Plate 8" x 8"
3	961357	Guard Plate Weldment
4	961356	6" Sheave Guard Weldment
5	906079	Guard Pivot Arm 1" x 10"
6	962066	Clamp Weldment 8" x 8" x 10 Ga
7	961896	Clamp 10Ga x 1" x 8" Lg
8	81552	5/16" x 1 1/4" Hex Bolt (pl)
9	81568	5/16" Hex Nut (pl)
10	81569	5/16" Lock Washer (pl)
11	908702	1 5/16" x 55" Outer Tube Weldment
12	81213	3/8" x 1" Square Head Set Screw (pl)
13	961647	1/2" Tightener Screw
14	961694	Inner Tube Weldment 1" x 57"
15	905593	Hanger Weldment
16	961372	Belt Tightener Bracket 4" x 6"
17	905594	Hanger Swivel Shaft 1" x 16 1/4"
18	907059	Belt B221
19	908010	Motor Mount Weldment
20	981601	7/16" x 2" Hex Bolt (pl)
21	86273	7/16" Lock Nut (pl)
22	961973	12" Adjustment Rod
23	961166	Guard Mount Weldment 10" x 13"
24	961167	Motor Mount Guard Spacer 1 1/4" x 10" x 10Ga
25	81523	1/4" x 1/2" Hex Bolt (pl)
26	81545	1/4" Lock Washer (pl)
27	81544	1/4" Lock Nut (pl)
28	86170	3/8" x 1" Hex Bolt (pl)
29	812363	3/8" Lock Nut (pl)
30	81583	3/8" x 3" Hex Bolt (pl)
31	967044	3/8" x 3/8" x 3 3/8" Key
32	81627	1/2" x 3" Hex Bolt (pl)
33	812364	1/2" Lock Nut (pl)
34	81620	1/2" x 1 1/4" Hex Bolt (pl)
35	81637	1/2" Lock Washer (pl)
36	81636	1/2" Hex Nut (pl)
37		3 1/2" Triple Sheave (By Customer)
38	961187	12" Triple Sheave (1 1/2" Bore)
39	967488	3/8" x 2 3/4" Hex Bolt (pl)
40	961383	Guard Holder Ring 4 1/2" OD x 5/8" Lg

41	9812377	5/16" x 3/4" Sq. Head Set Screw (pl)
42	903588	Idler Guard Arm 2" x 18 1/4"
43	961696	Idler Guard Weldment
44	81638	1/2" Flat Washer (pl)
45	961699	Spacer .840" O.D. x .622" I.D. x 1/2" Lg
46	961001	Idler Sheave Single Flange
47	962000	Spacer .840" O.D. x .622" I.D. x 3/8" Lg
48	967911	1/2" x 5" Hex Bolt Gr.8 (pl)
49	86171	3/8" x 1 1/4" Hex Bolt (pl)
50	81593	3/8" Lock Washer (pl)
51	81592	3/8" Hex Nut (pl)
52	812026	5/16" x 1" Hex Bolt (pl)
53	907059	Belt B221
54	811852	3/4" Sq. Nut (pl)

DIRECT DRIVE ASSEMBLY

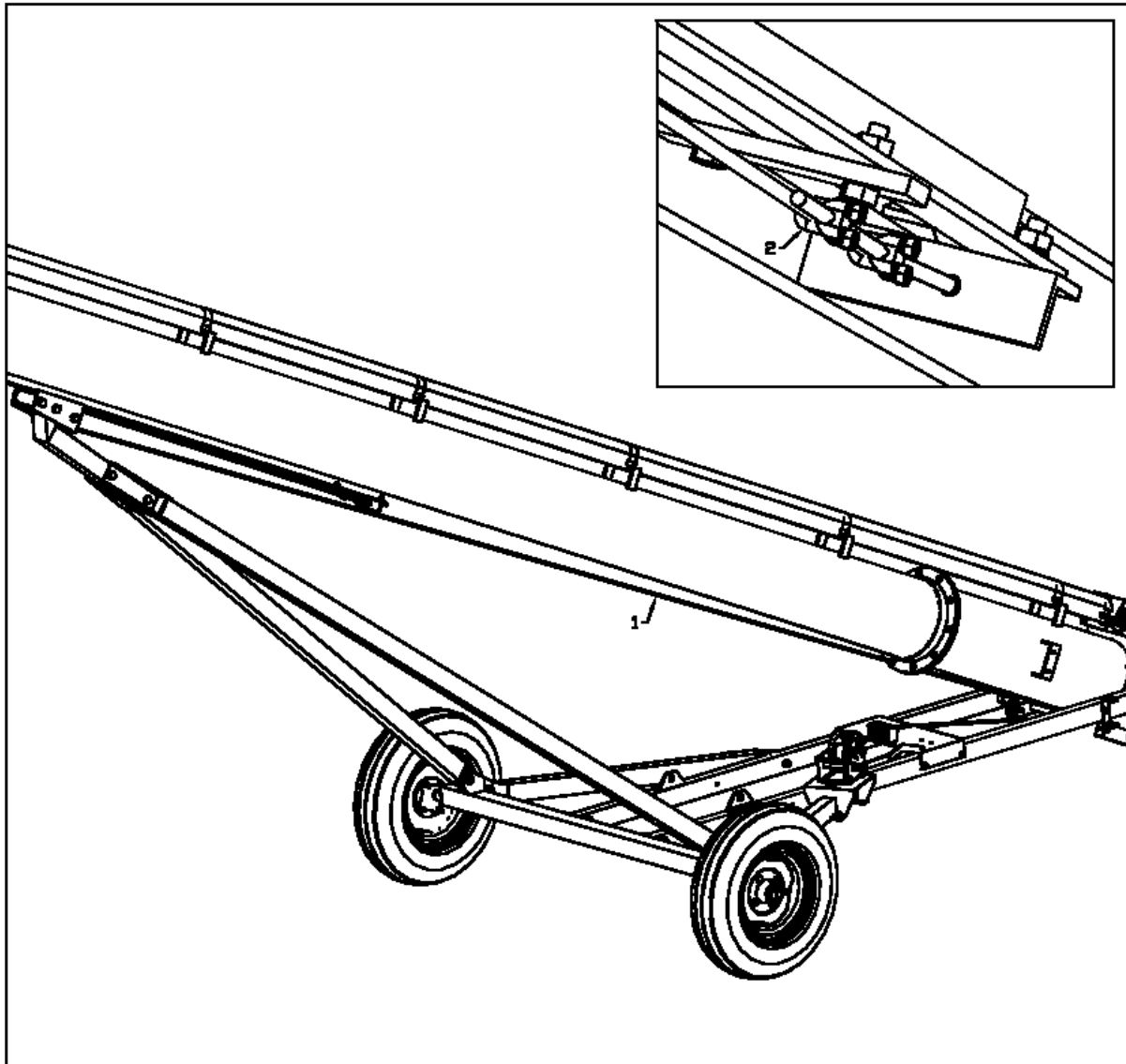


CA-34

DIRECT DRIVE ASSEMBLY

ITEM	PART#	DESCRIPTION
1	F0466	13" PTO Shaft
2	961201	6" Plastic Tube 6 1/2" Long
3	961200	6 1/4" x 1 1/4" Guard Clamp
4	81552	5/16" x 1 1/4" Hex Bolt (pl)
5	81569	5/16" Lock Washer (pl)
6	81568	5/16" Hex Nut (pl)
7	961539	3/8" x 4 1/2" Pin
8	12780	#7 Hair Pin Clip
9	961790	PTO Hanger
10	86170	3/8" x 1" Hex Bolt (pl)
11	81593	3/8" Lock Washer (pl)
12	81592	3/8" Hex Nut (pl)
13	968807	3/8" x 3/8" x 2" Key
14	961202	PTO Guard Holder (W/4" I.D. Clamp
15	961896	Clamp (4" I.D.)

CABLE ASSEMBLY

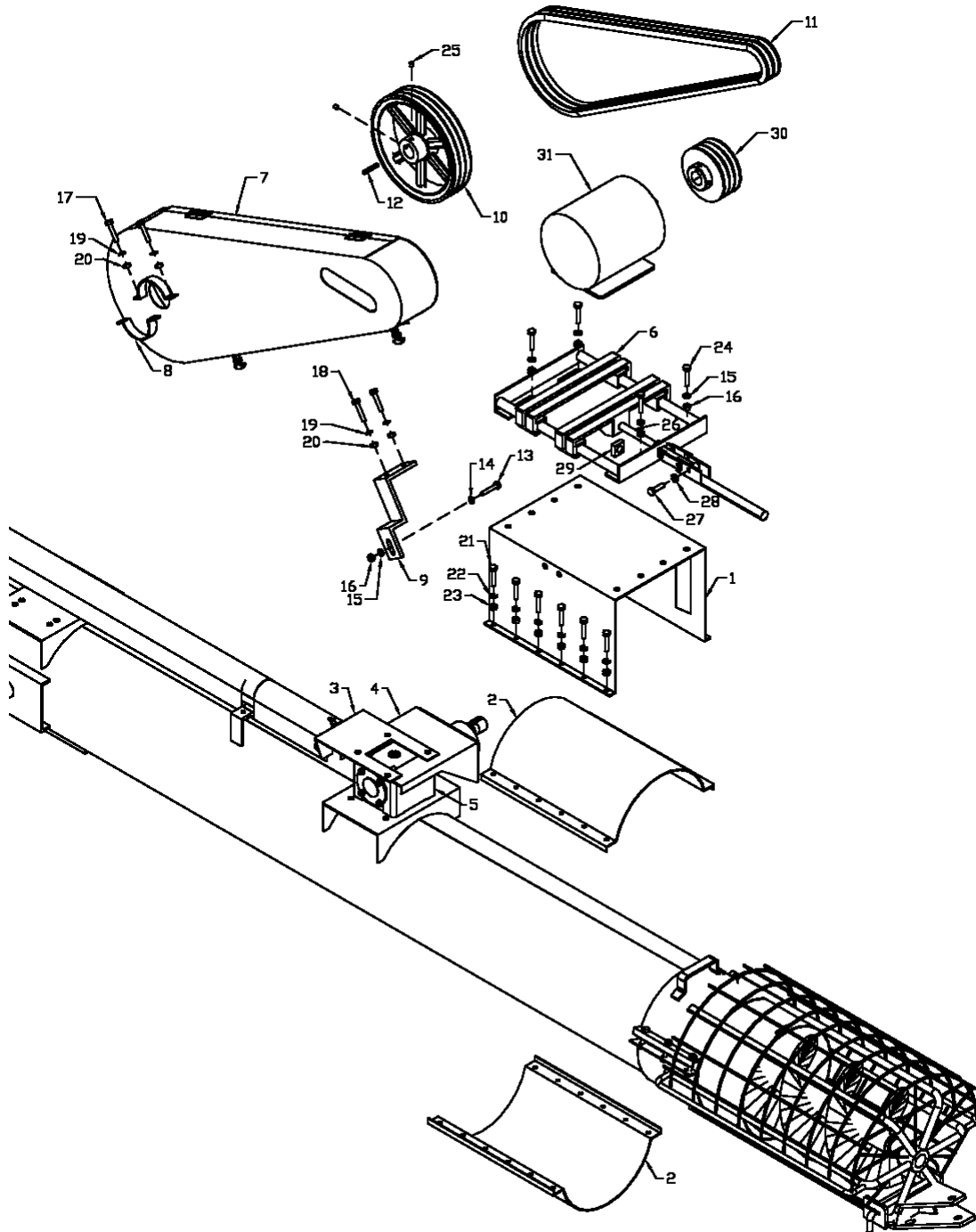


CA-36

CABLE ASSEMBLY

Item #	Part #	Description
1	906925	Cable 5/16" x 32'-6"
2	961763	5/16" Cable Clamp

CLAMP-ON MOTOR MOUNT



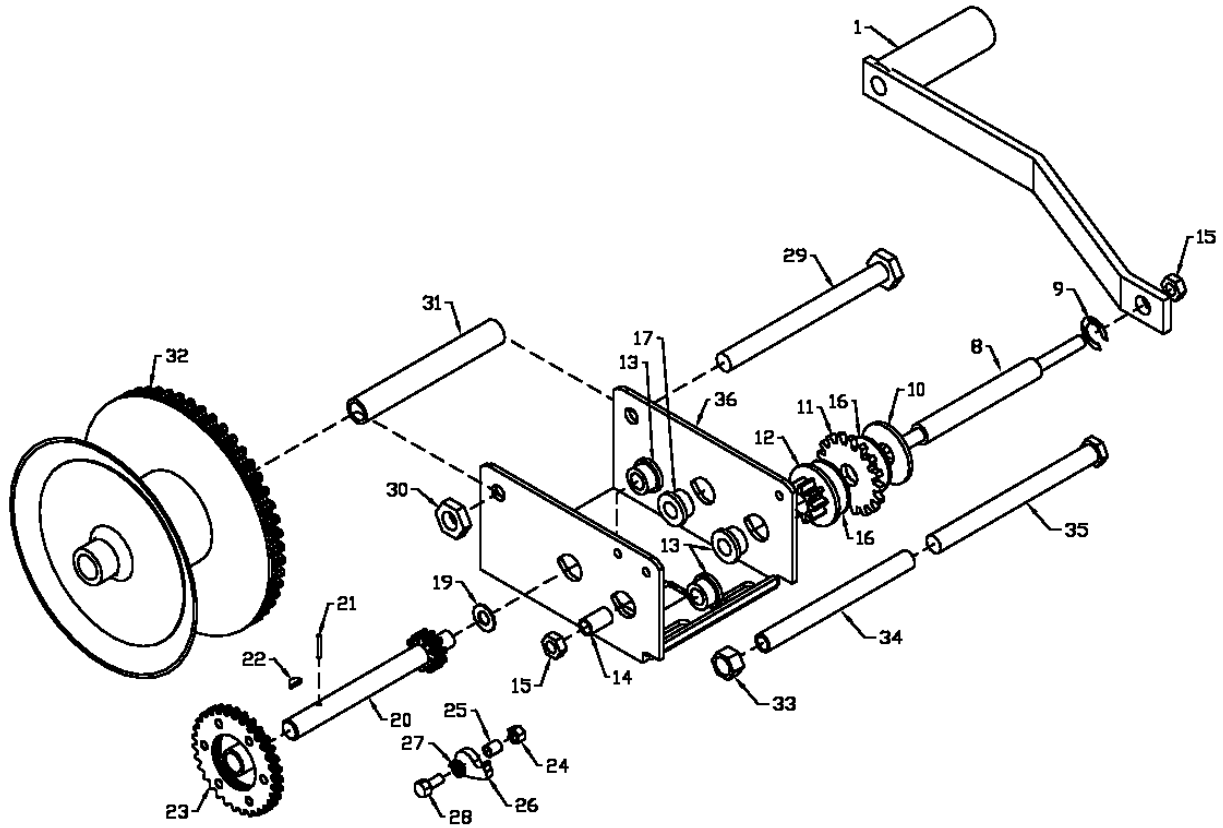
CLAMP-ON MOTOR MOUNT PARTS LIST

ITEM	PART #	DESCRIPTION
1	907353	Motor Mount Stand
2	907351	Motor Mount Clamp
3	961346	Extension Shield Holder Weldment
4	906093	Gearbox Plate Weldment
5	907207	Gearbox Assembly
	907413	Optional Reverse Gearbox Assembly
6	907360	Clamp-On Motor Mount Weldment
	907361	Clamp-On Motor Mount Assembly
7	F0033	Belt Guard Assembly
8	961896	4" Clamp
9	907362	Guard Mounting Bracket
10	961187	12" Triple Sheave 1 1/2" bore
11	973417	B-83 V-Belt
12	967044	3/8" Sq. x 3 3/8" Key - 10"
13	84277	1/2" x 1 1/2" Hex Bolt (pl)
14	84048	1/2" SAE Flat Washer (pl)
15	81637	1/2" Lock Washer (pl)
16	81636	1/2" Hex Nut (pl)
17	81552	5/16" x 1 1/4" Hex Bolt (pl)
18	812026	5/16" x 1" Hex Bolt (pl)
19	81569	5/16" Lock Washer (pl)
20	81568	5/16" Nut (pl)
21	9812483	3/8" x 2" Hex Bolt (pl)
22	81593	3/8" Lock Washer (pl)
23	81592	3/8" Hex Nut (pl)
24	81620	1/2" x 1 1/4" Hex Bolt (pl)
25	81213	3/8" x 1" Square Head Set Screw
26	961973	12" Adjustment Rod
27	981601	7/16" x 2" Hex Bolt
28	86273	7/16" Lock Nut
29	811852	3/4" Square Nut (pl)
*30		Motor Pulley (Supplied by customer)
*31		Electric Motor (Supplied by Customer)

*SEE INSTRUCTIONS FOR CORRECT SHEAVE AND MOTOR SIZES

No. K2550 WINCH

961945



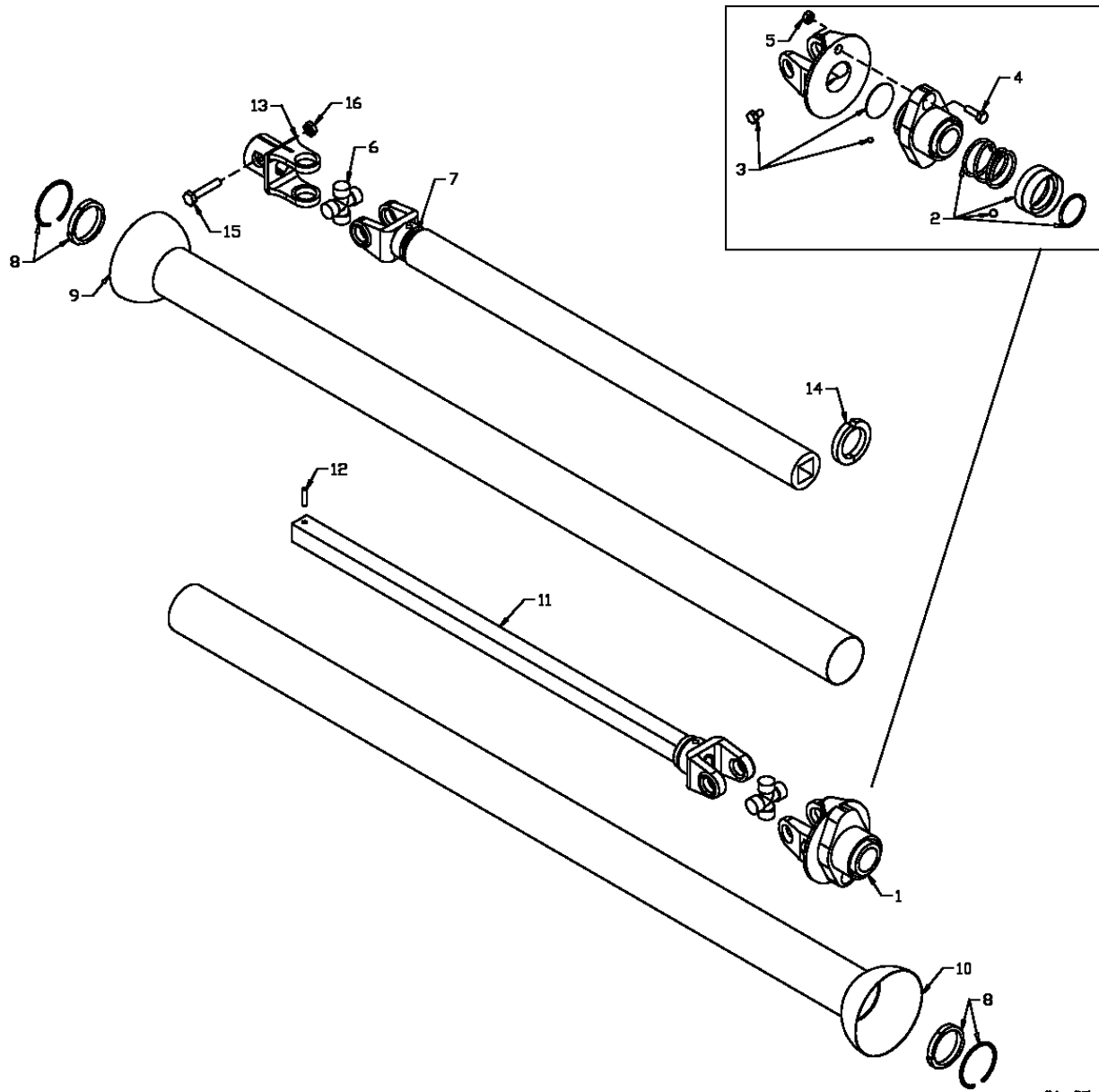
CA-26

NO. K2550 WINCH PARTS LIST – 961945

ITEM	DESCRIPTION	PART #
1	Handle	2461S01
CABLE KEEPER KIT		5621S01
4	Bolt	
5	Cable Clamp	
6	Lockwasher	
7	Nut	
INPUT SHAFT KIT		1565S01
8	Input Shaft	
9	Retaining Ring	
10	Brake Disc	
11	Ratchet Gear	
12	Pinion Gear	
13	Bushing	
14	Spacer	
15	Nut	
16	Friction Disc	1578S00
INTERMEDIATE SHAFT KIT		1569S01
17	Bushing	
19	Washer	
20	Intermediate Shaft	
21	Roll Pin	
22	Woodruff Key	
23	Gear	
RATCHET KIT		6730S00
24	Nut	
25	Spacer	
26	Ratchet Pawl	
27	Spring	
28	Shoulder Bolt	
29	Drum Bolt	*
30	Lock Nut	*
31	Drum Spacer	*
32	Drum Assembly	*
33	Lock Nut	*
34	Frame Spacer	*
35	Bolt	*
36	Frame	*
BUSHING KIT		906537
13	Bushing	
17	Bushing	

* NOT AVAILABLE

AUGER PTO



CA-27

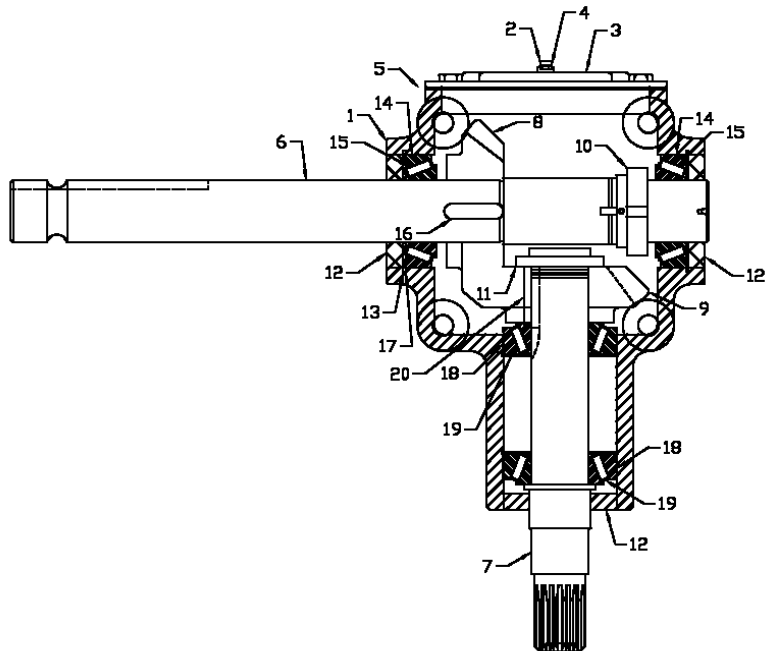
DIRECT DRIVE PTO ASSEMBLY

Item #	Part #	Description
	F0466	Shaft Complete
	908960	Tractor Half of PTO (shear)
	908958	Implement Half of PTO
1	936324	Shear Assembly
2	936168	Spring-Lok Repair Kit (Collar, Spring, Ret. Ring, 2 3/8" Balls)
3	936248	Shear Assembly Repair Kit (3/8" x 1/2" Bolt, (Grade 5) - one required
4	86170	3/8" x 1" Shear Bolt (Grade 5) - one required
5	812363	3/8" Lock Nut
6	936093	Repair Kit
7	936325	Yoke & Tube
8	936320	Nylon Bearing Repair Kit
9	908956	Inner Guard
10	907397	Outer Guard
11	936329	Yoke & Shaft
12	936315	1/4" x 1" Roll Pin
13	936376	Clamp Yoke
14	936316	Shield Bearing
15	81628	1/2" x 3 1/4" Hex Bolt
16	812364	1/2" Lock Nut

PTO BELT DRIVE PTO ASSEMBLY

Item #	Part #	Description
	F0467	Shaft Complete
	908960	Tractor Half of PTO (Shear)
	908959	Implement Half of PTO
1	936324	Shear Assembly
2	936168	Spring-Lok Repair Kit (Collar, Spring, Ret. Ring, 2 3/8" Balls)
3	936248	Shear Assembly Repair Kit (3/8" x 1/2" Bolt, Blank, 24 1/4" Balls)
4	86170	Shear Bolt - 3/8" x 1" (Gr.5)
5	812363	3/8" Lock Nut
6	936093	Repair Kit
7	936325	Yoke & Tube
8	936320	Nylon Bearing Repair Kit
10	908956	Inner Guard
11	908397	Outer Guard
12	936329	Yoke & Shaft
13	936315	Roll Pin (1/4" x 1")
14	936262	Clamp Yoke
15	936316	Shield Bearing
16	81628	1/2" x 3 1/4" Hex Bolt
17	812364	1/2" Lock Nut

AUGER GEARBOX



CA-38

907207 - 13" CONVENTIONAL AUGER GEARBOX PARTS LIST

Item #	Part #	Description
	907207	Gearbox Complete
1	BU50310	Gearbox Casting Only
2	BU500089-3	Pipe Plug
3	BU50457	Gearbox Cover
4	BU500167-1	Relief Valve
5	BU50458	Gearbox Gasket
6	24970	Cross Shaft
7	BU50502	Pinion Shaft
8	BU50329	Bevel Gear 1 1/2" B
9	BU50331	Bevel Gear 1 3/8" B
10	BU50428	Adjusting Nut
11	BU50444	Adjusting Nut
12	BU50422-1	Oil Seal (3 Used)
13	BU50415	Retainer Ring (4 Used)
14	BU575902	Bearing Cup (2 Used)
15	BU575901	Bearing Cone (2 Used)
16	BU50429	Key
17	BU50210X	Shim Set
18	BU575907	Bearing Cup (2 Used)
19	BU575906	Bearing Cone (2 Used)
20	BU50417-1	Key

SHIPPING KIT AND BUNDLE NUMBERS

The following is a list of Kit Numbers for this product and the Bundle Numbers, Descriptions, and Quantities for each Kit

QUANTITY	BUNDLE	DESCRIPTION
C1336E 13" x 36' CONVENTIONAL AUGER ENGINE DRIVE		
1	F0098	Lift Arms
1	F0673	Extension Auger
1	F0118	Basic Auger
1	F0602	Crate of Parts
1	F0337	Undercarriage & Axle
C1336D 13" x 36' CONVENTIONAL AUGER DIRECT DRIVE		
1	F0098	Lift Arms
1	F0672	Extension Auger
1	F0117	Basic Auger
1	F0674	Crate of Parts
1	F0337	Undercarriage & Axle
C1336P 13" x 36' CONVENTIONAL AUGER BELT DIRECT DRIVE PTO		
1	F0098	Lift Arms
1	F0673	Extension Auger
1	F0118	Basic Auger
1	F0337	Undercarriage & Axle
1	F0677	Crate of Parts

OPTIONAL BUNDLE NUMBERS

The following is a list of options available for the Kits listed above.

F3005	13" Poly Spout
F211	Big Daddy Flex Hopper
F001	Safety Light Kit
F0013	Reflective Safety Decal Kit
Y0029	Light Kit

NOTES

NOTES

NOTES

DIVISION LOCATIONS

Farm King Division
301 Mountain Street S.
Morden, MB R6M 1X7
Ph.: (204) 822-4467
Fax: (204) 822-6348

Allied/Inland Division
1260 Clarence Avenue
Winnipeg, MB R3T 1T2
Ph.: (204) 284-6100
Fax: (204) 477-2325

B.I.I. Division
1330 43rd Street N.W.
Fargo, ND 58102
Ph: (701) 282-7014
Fax: (701) 282-5865

U.S. WAREHOUSES

AR, West Memphis
(870) 732-3132

GA, Stone Mountain
(770) 908-9439

ID, Meridian
(208) 887-6006

IN, Clarksville
(812) 284-3376

KS, Wichita
(316) 265-9577

MN, Lakeville
(952) 469-5267

MT, Billings
(406) 248-7771

ND, Bismarck
(701) 223-1886

ND, Fargo
(701) 282-7003

NE, Blair
(402) 426-8211

OH, Youngstown
(330) 793-0862

OR, Beaverton
(503) 641-1865

SD, Huron
(605) 352-8616

TX, Houston
(713) 928-2632

UT, Salt Lake City
(801) 972-4321

WI, Portage
(608) 742-1370

CANADIAN WAREHOUSES

B.C., Abbotsford
(604) 864-2665

AB, Edmonton
(780) 962-6991

SK, Regina
(306) 781-2300

ON, Woodstock
(519) 539-0435

QC, Dorion
(450) 455-4840

OFFSHORE WAREHOUSES

Burando Hill
Katanning
W. Australia
011-618-98-214422

Chihuahua, Mexico
011-52-158-90306

John Kerr Equipment Ltd.
Wilcoxholm Farm
Linlithgow, W. Lothian
Scotland
011-441-506-842280

Skovde, Sweden
011-46-500-452651

Naestved, Denmark
011-45-557-29511

bühler

Buhler Manufacturing

**301 Mountain Street S.
Morden MB.
R6M 1X7
Ph.: (204) 822-4467
Fax: (204) 822-6348
www.buhler.com**