



Accessories for ECHO products can be found at:  
*Pour obtenir des accessoires pour les produits ECHO,*  
*consulter notre catalogue d'accessoires à:*  
<http://www.echo.ca/products/catalogs>

**PARTS CATALOG**  
**NOMENCLATURE DES PIÈCES**

**DSRM-2600U**  
**Brushcutter**

DSRM-2600U Débroussailleuse



**56V Battery**

**SERIAL NUMBER**  
NUMÉRO DE SÉRIE

**U56500001001 - U56500999999**

**ECHO Incorporated**

400 Oakwood Road, Lake Zurich, Illinois 60047

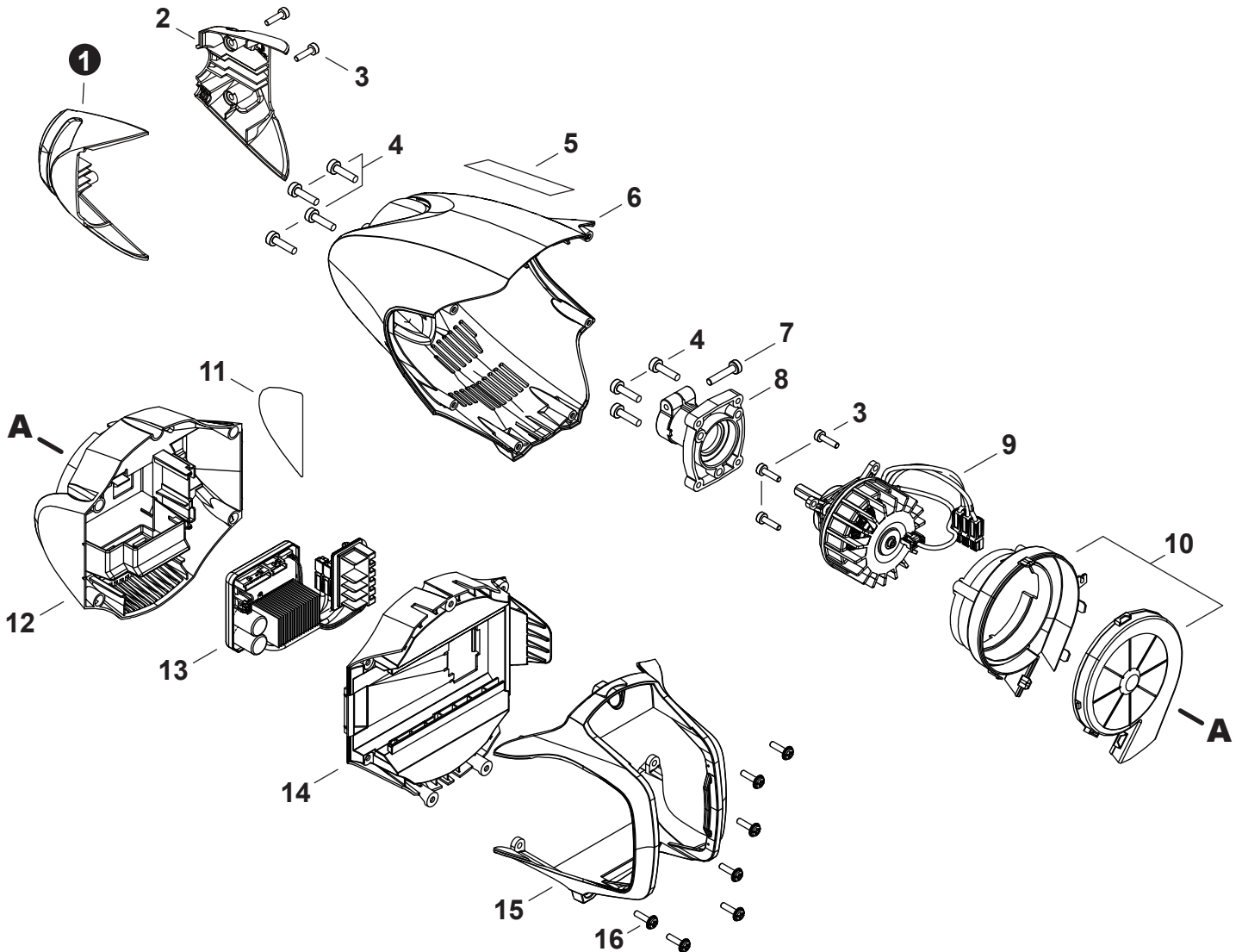
[WWW.ECHO-USA.COM](http://WWW.ECHO-USA.COM)

©2022 ECHO Incorporated. All Rights Reserved

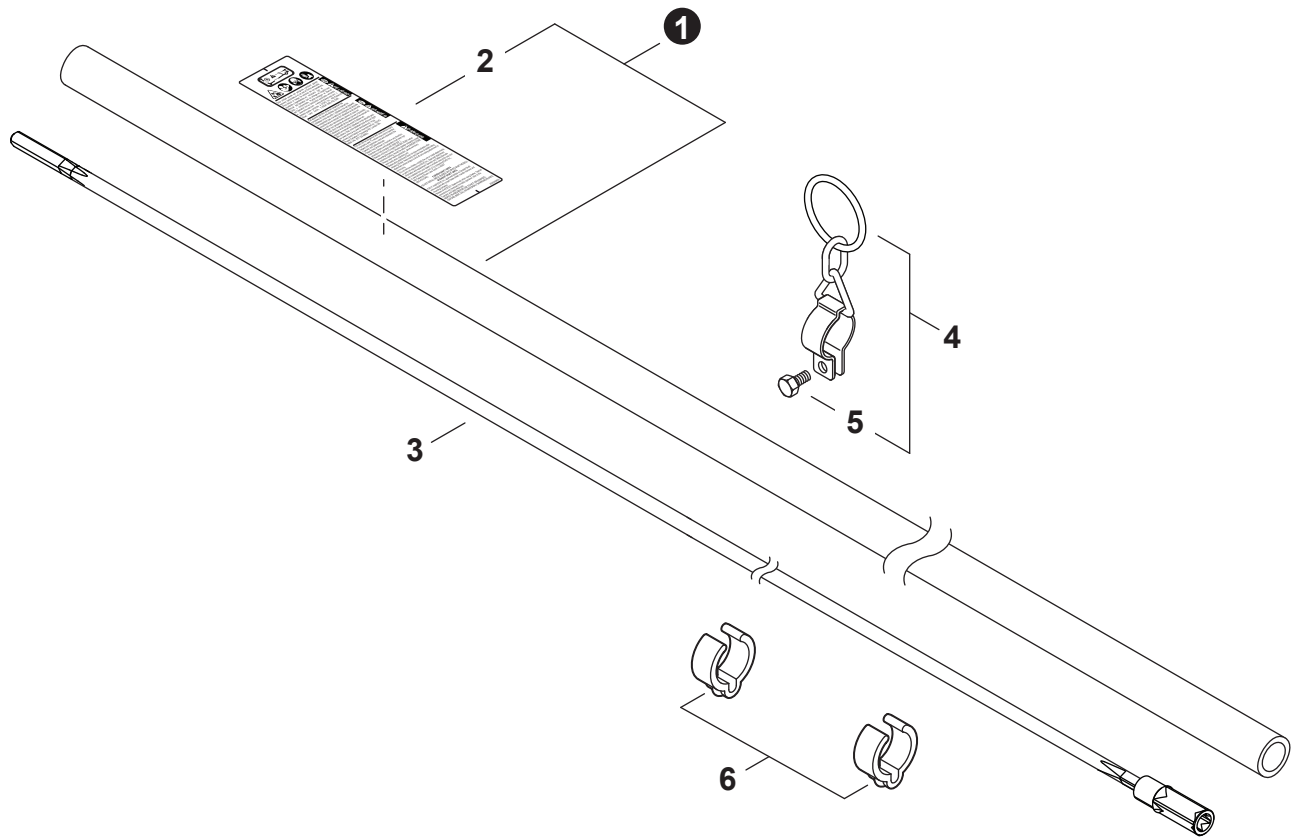
P/N 99922205853  
REVISED 02/28/22

---

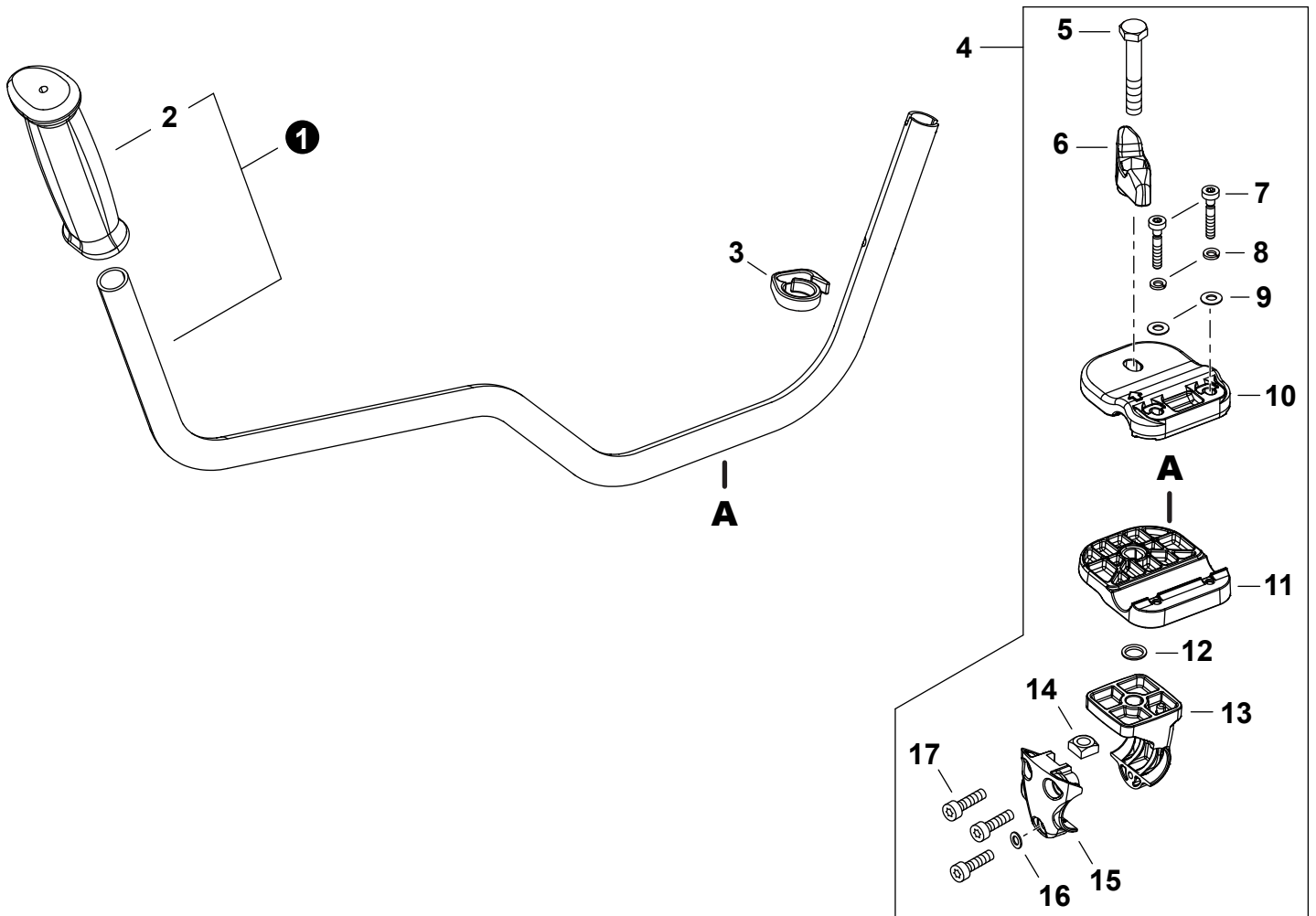
|  |           |
|--|-----------|
| <b>Motor</b> .....                         | <b>3</b>  |
| Moteur                                     |           |
| <b>Main Pipe</b> .....                     | <b>4</b>  |
| Tube de transmission                       |           |
| <b>Handlebar</b> .....                     | <b>5</b>  |
| Poignée en U                               |           |
| <b>Control Handle</b> .....                | <b>6</b>  |
| Poignée de commande                        |           |
| <b>Gear Case</b> .....                     | <b>7</b>  |
| Boîtier d'engrenage                        |           |
| <b>Debris Shield</b> .....                 | <b>8</b>  |
| Pare-débris                                |           |
| <b>Debris Shield - Blade</b> .....         | <b>9</b>  |
| Pare-débris - Lame                         |           |
| <b>Trimmer Head - SPEED-FEED 400</b> ..... | <b>10</b> |
| Tête de coupe SPEED-FEED 400               |           |
| <b>Harness</b> .....                       | <b>11</b> |
| Harnais                                    |           |
| <b>Tools</b> .....                         | <b>11</b> |
| Outils                                     |           |
| <b>Accessories</b> .....                   | <b>12</b> |
| Accessoires                                |           |



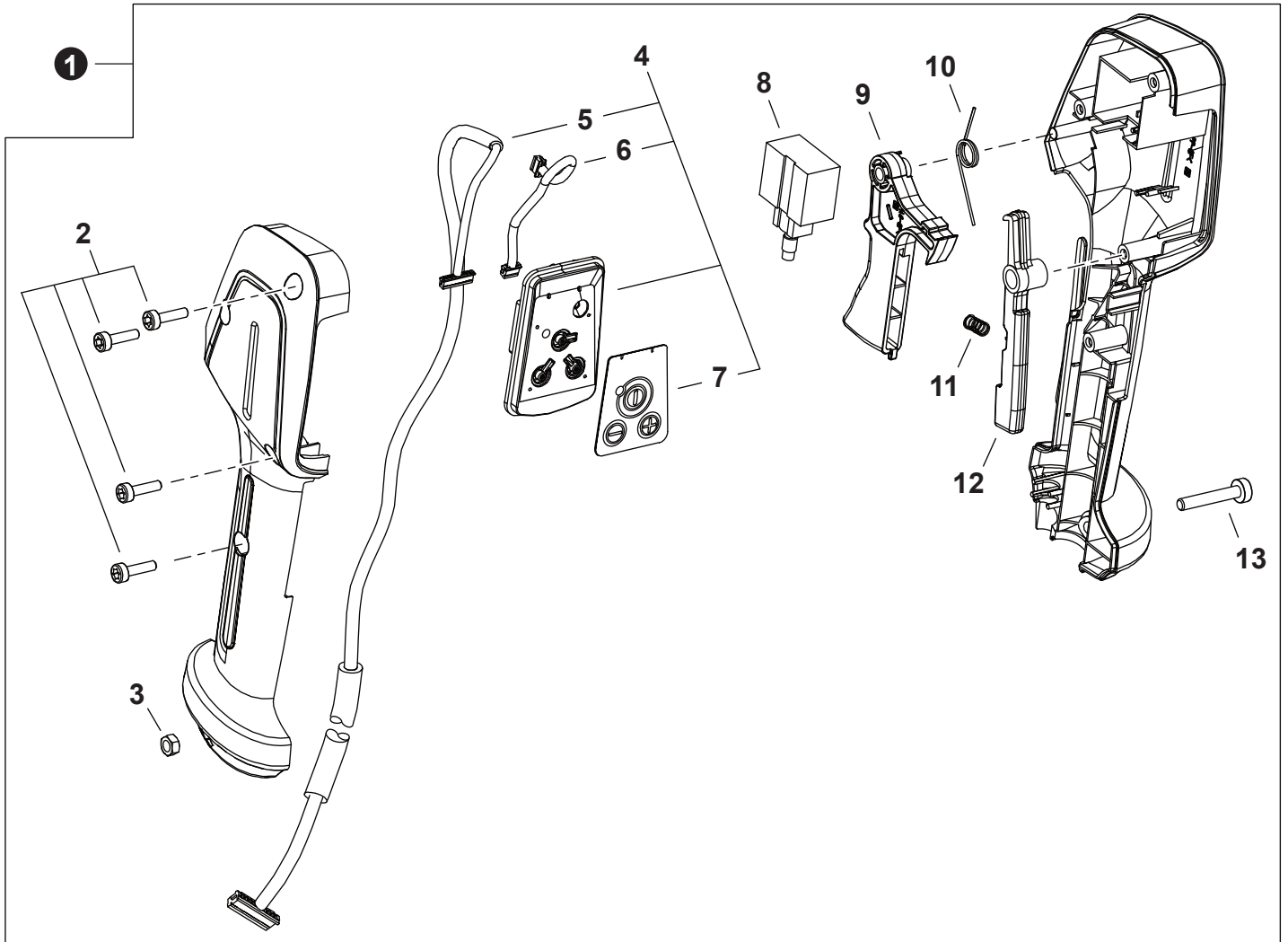
| NO. | PART NUMBER | QTY. | DESCRIPTION              | NOM DE LA PIÈCE                 |
|-----|-------------|------|--------------------------|---------------------------------|
| 1   | X424000090  | 1    | COVER, MOTOR - LEFT      | COUVERCLE DE MOTEUR - GAUCHE    |
| 2   | X424000080  | 1    | COVER, MOTOR - RIGHT     | COUVERCLE DE MOTEUR - DROIT     |
| 3   | V804000170  | 5    | BOLT, TORX 4x16          | BOULON TORX 4x16                |
| 4   | V805000160  | 7    | BOLT, TORX 5x20          | BOULON TORX 5x20                |
| 5   | X502000390  | 1    | LABEL - ECHO             | ÉTIQUETTE ECHO                  |
| 6   | A539000490  | 1    | COVER, MOTOR             | COUVERCLE DE MOTEUR             |
| 7   | V805000170  | 1    | BOLT, TORX 5x25          | BOULON TORX 5x25                |
| 8   | A575000770  | 1    | HOLDER, MAIN PIPE        | ATTACHE - TUBE DE TRANSMISSION  |
| 9   | A054000330  | 1    | MOTOR ASSY               | MOTEUR COMPLET                  |
| 10  | P021054020  | 1    | FAN CASE ASSY            | ASSEMBLAGE BOÎTIER, VENTILATEUR |
| 11  | X503016110  | 1    | LABEL - MODEL DSRM-2600U | ÉTIQUETTE - MODÈLE DSRM-2600U   |
| 12  | A161000440  | 1    | DUCT, AIR                | CONDUITE D'AIR                  |
| 13  | A047000520  | 1    | CONTROL BOARD ASSY       | ENSEMBLE PANNEAU DE CONTRÔLE    |
| 14  | C146000030  | 1    | HOLDER, BATTERY          | SUPPORT, BATTERIE               |
| 15  | C145000190  | 1    | COVER, BATTERY           | COUVERCLE DE BATTERIE           |
| 16  | V804000190  | 7    | BOLT, TORX 4x16          | BOULON TORX 4x16                |



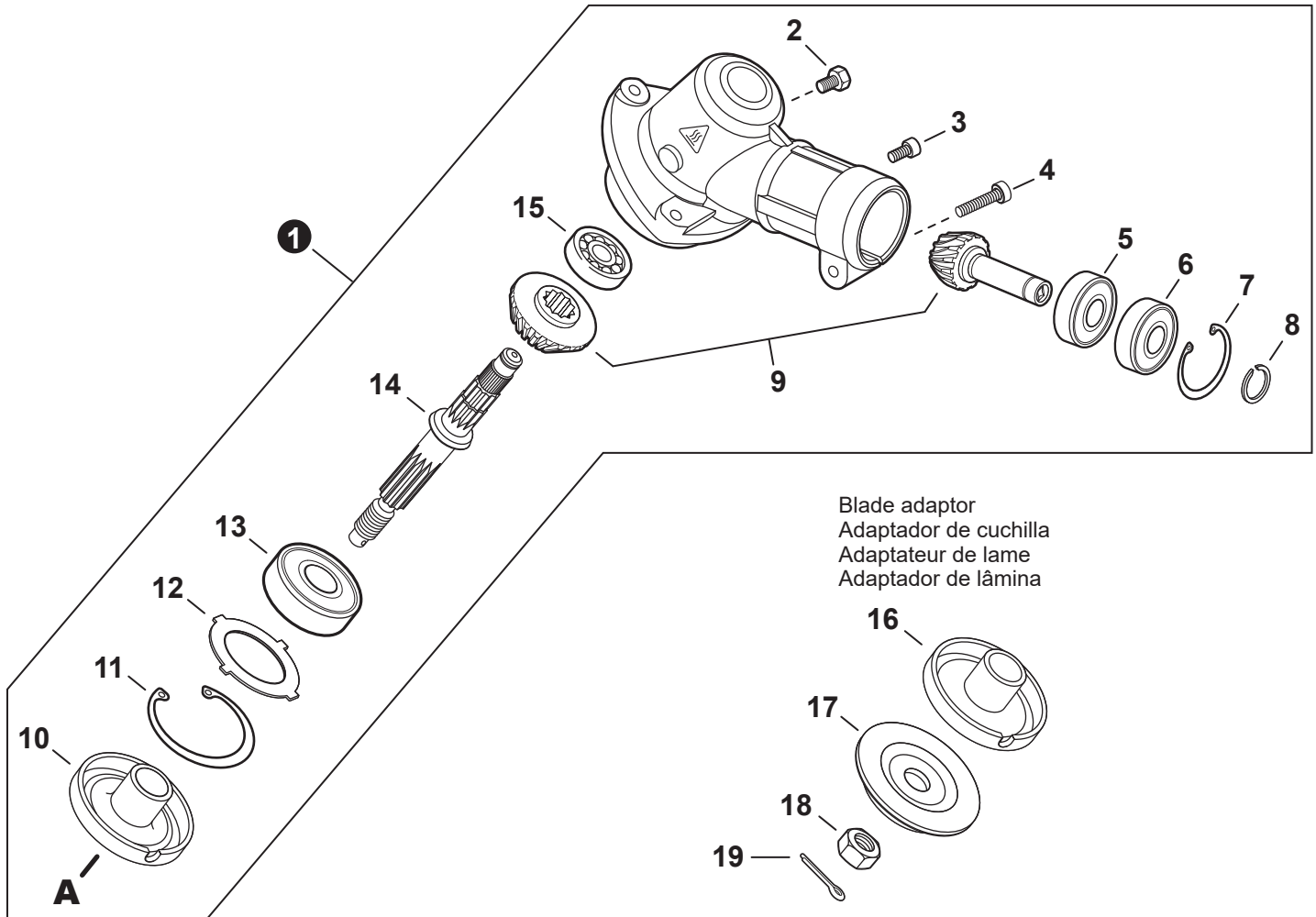
| NO. | PART NUMBER | QTY. | DESCRIPTION           | NOM DE LA PIÈCE                  |
|-----|-------------|------|-----------------------|----------------------------------|
| 1   | P021053970  | 1    | MAIN PIPE ASSY        | TUBE DE TRANSMISSION COMPLET     |
| 2   | X505009800  | 1    | +LABEL - CAUTION      | +ÉTIQUETTE D'AVERTISSEMENT       |
| 3   | C506000660  | 1    | DRIVESHAFT - FLEXIBLE | ARBRE DE TRANSMISSION - FLEXIBLE |
| 4   | C646000060  | 1    | HANGER SET, HARNESS   | ENSEMBLE DE CROCHET DE HARNAIS   |
| 5   | V805000140  | 1    | +BOLT, TORX 5x12      | +BOULON TORX 5x12                |
| 6   | 22492452130 | 2    | CLIP, CABLE 25 MM     | SUPPORT DE CÂBLE 25 MM           |



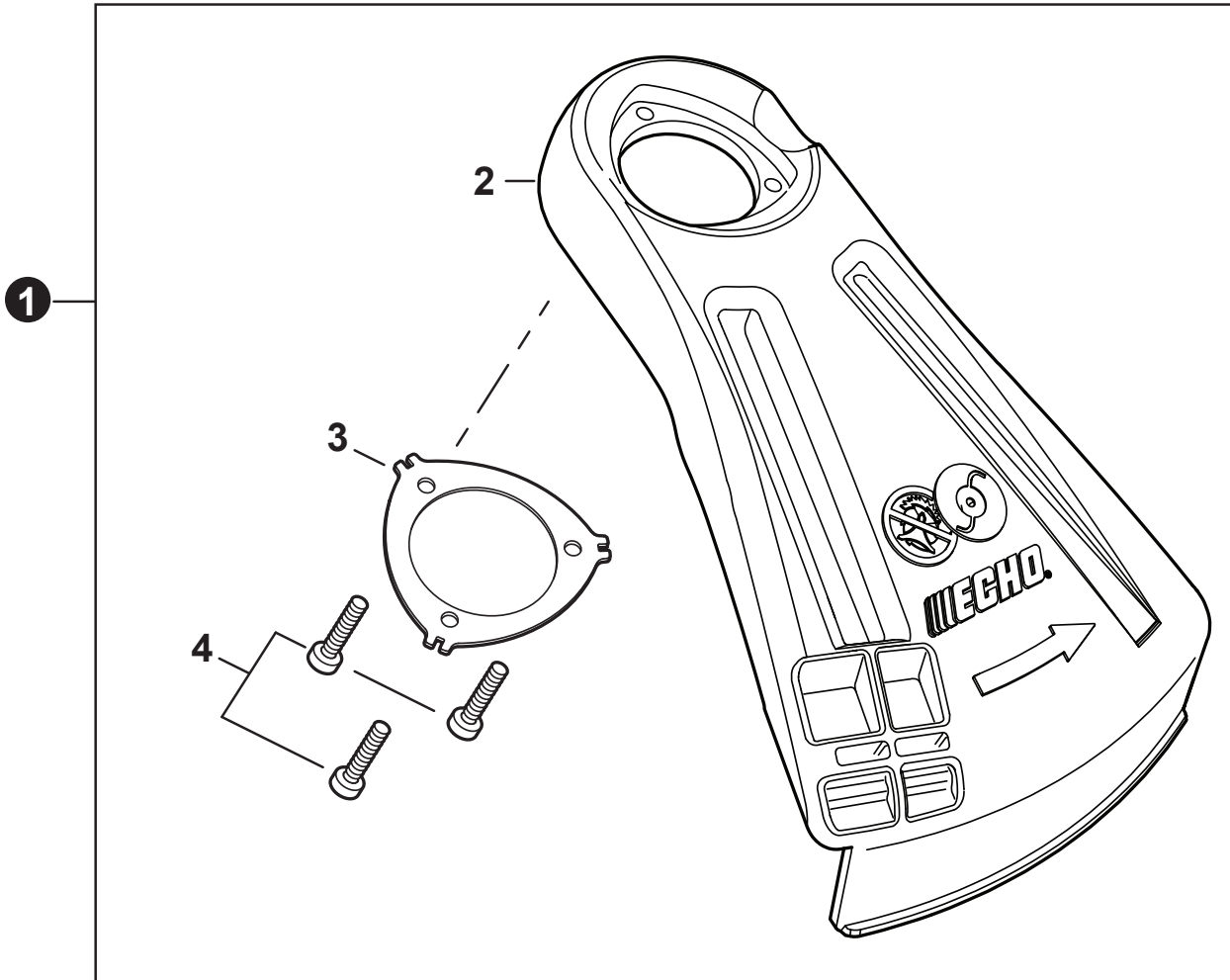
| NO. | PART NUMBER | QTY. | DESCRIPTION                | NOM DE LA PIÈCE                 |
|-----|-------------|------|----------------------------|---------------------------------|
| 1   | P100010560  | 1    | HANDLEBAR ASSY             | ASSEMBLAGE POIGNÉE EN U         |
| 2   | C403000031  | 1    | +GRIP, HANDLE              | +POIGNÉE                        |
| 3   | 15911209961 | 1    | CLIP, CABLE                | SUPPORT DE CÂBLE                |
| 4   | P100010570  | 1    | BRACKET KIT, HANDLEBAR     | KIT DE SUPPORT DU POIGNÉE EN U  |
| 5   | V205001400  | 1    | +BOLT M8x1.25              | +BOULON M8x1.25                 |
| 6   | V299000680  | 1    | +KNOB, FASTENER            | +BOUTON DE FIXATION             |
| 7   | V203002500  | 2    | +BOLT 5x30                 | +BOULON 5x30                    |
| 8   | 90060500005 | 2    | +WASHER, SPRING 5          | +RONDELLE ÉLASTIQUE 5           |
| 9   | 90062000005 | 2    | +WASHER                    | +RONDELLE                       |
| 10  | C423001090  | 1    | +BRACKET, HANDLE - UPPER   | +SUPPORT DE POIGNÉE - SUPÉRIEUR |
| 11  | C423001100  | 1    | +BRACKET, HANDLE - LOWER   | +SUPPORT DU POIGNÉE - INFÉRIEUR |
| 12  | 90072020007 | 1    | +O-RING 7                  | +JOINT TORIQUE 7                |
| 13  | C423001110  | 1    | +BRACKET, MOUNTING - RIGHT | +SUPPORT DE MONTAGE - DROITE    |
| 14  | 90056550008 | 1    | +NUT 8x1.25                | +ÉCROU 8x1.25                   |
| 15  | C423001120  | 1    | +BRACKET, MOUNTING - LEFT  | +SUPPORT DE MONTAGE - GAUCHE    |
| 16  | 90060000005 | 1    | +WASHER, FLAT 5.5x10x0.8   | +RONDELLE 5.5x10x0.8            |
| 17  | V805000170  | 3    | +BOLT, TORX 5x25           | +BOULON TORX 5x25               |



| NO. | PART NUMBER | QTY. | DESCRIPTION              | NOM DE LA PIÈCE                      |
|-----|-------------|------|--------------------------|--------------------------------------|
| 1   | P100010880  | 1    | CONTROL HANDLE ASSY      | ASSEMBLAGE DE POIGNÉE DE COMMANDE    |
| 2   | V804000170  | 4    | +BOLT, TORX 4x16         | +BOULON TORX 4x16                    |
| 3   | 90059000005 | 1    | +NUT M5                  | +ÉCROU M5                            |
| 4   | A047000470  | 1    | +SWITCH ASSY, ON-OFF     | +INTERRUPTEUR MARCHE-ARRÊT COMPLET   |
| 5   | C130001170  | 1    | ++WIRE HARNESS - MAIN    | ++CHICOTE DE FIAÇÃO - PRINCIPAL      |
| 6   | C130001160  | 1    | ++WIRE HARNESS - TRIGGER | ++CHICOTE DE FIAÇÃO - GÂCHETTE       |
| 7   | X510001290  | 1    | ++LABEL - SWITCH         | ++ÉTIQUETTE INTERRUPTEUR             |
| 8   | G334001830  | 1    | +SWITCH, SPEED CONTROL   | +INTERRUPTEUR DE CONTRÔLE DE VITESSE |
| 9   | J361000810  | 1    | +TRIGGER, THROTTLE       | +GÂCHETTE D'ACCÉLÉRATEUR             |
| 10  | V452002010  | 1    | +SPRING, TORSION         | +RESSORT DE TORSION                  |
| 11  | V450000860  | 1    | +SPRING, COIL            | +RESSORT HÉLICOÏDAL                  |
| 12  | C490000030  | 1    | +LOCKOUT, THROTTLE       | +GÂCHETTE DE SÉCURITÉ                |
| 13  | V805000050  | 1    | +BOLT, TORX 5x30         | +BOULON TORX 5x30                    |

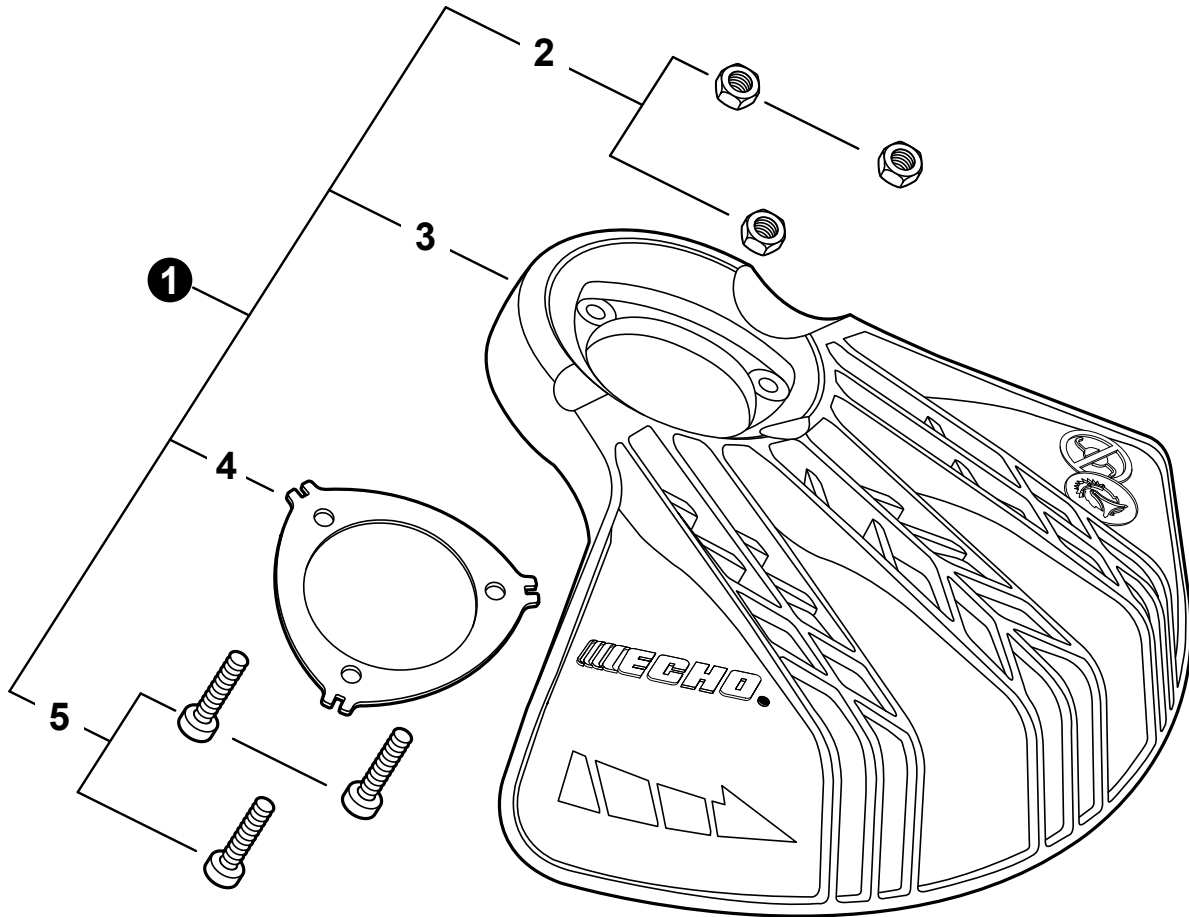


| NO. | PART NUMBER | QTY. | DESCRIPTION             | NOM DE LA PIÈCE               |
|-----|-------------|------|-------------------------|-------------------------------|
| 1   | P021051520  | 1    | GEAR CASE ASSY          | BOÎTIER D'ENGRENAGE COMPLET   |
| 2   | 61043450031 | 1    | +BOLT M8x8              | +BOULON M8x8                  |
| 3   | V805000140  | 1    | +BOLT, TORX 5x12        | +BOULON TORX 5x12             |
| 4   | V805000170  | 1    | +BOLT, TORX 5x25        | +BOULON TORX 5x25             |
| 5   | 9411000609  | 1    | +BEARING, BALL 609A     | +ROULEMENT À BILLES 609A      |
| 6   | 9411100609  | 1    | +BEARING, BALL 609ZA    | +ROULEMENT À BILLES 609ZA     |
| 7   | 90070200025 | 1    | +RING, SNAP 25          | +ANNEAU ÉLASTIQUE 25          |
| 8   | 90070100009 | 1    | +RING, SNAP 9           | +ANNEAU ÉLASTIQUE 9           |
| 9   | V000000250  | 1    | +GEAR SET               | +SET D'ENGRENAGES             |
| 10  | C535000210  | 1    | +PLATE, ADAPTOR - UPPER | +PLAQUE ADAPTATRICE SUPÉRIEUR |
| 11  | 90070200032 | 1    | +RING, SNAP 32          | +ANNEAU ÉLASTIQUE 32          |
| 12  | V340000180  | 1    | +WASHER                 | +RONDELLE                     |
| 13  | 90081206201 | 1    | +BEARING, BALL 6201     | +ROULEMENT À BILLES 6201      |
| 14  | C534001090  | 1    | +SHAFT, GEAR            | +ARBRE-PIGNON                 |
| 15  | 9411000629  | 1    | +BEARING, BALL 629A     | +ROULEMENT À BILLES 629A      |
| 16  | C535001240  | 1    | PLATE, ADAPTOR - UPPER  | PLAQUE ADAPTATRICE SUPÉRIEUR  |
| 17  | C535000150  | 1    | PLATE, ADAPTOR - LOWER  | PLAQUE ADAPTATRICE INFÉRIEUR  |
| 18  | 90051100010 | 1    | NUT 10                  | ÉCROU 10                      |
| 19  | 90030020022 | 1    | PIN, COTTER 2x22        | GOUPILLE FENDUE 2x22          |

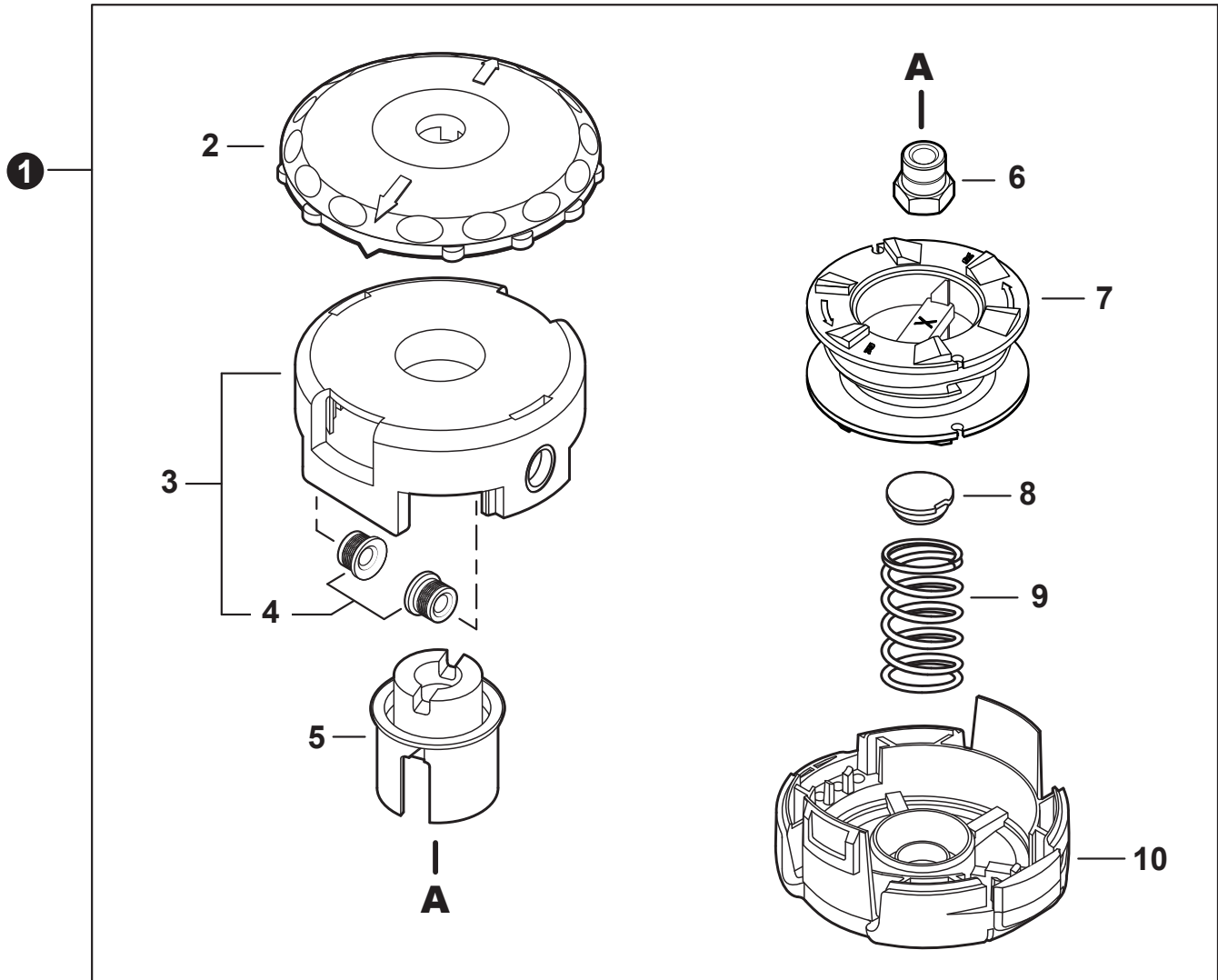


| NO. | PART NUMBER | QTY. | DESCRIPTION             | NOM DE LA PIÈCE        |
|-----|-------------|------|-------------------------|------------------------|
| 1   | P021053450  | 1    | SHIELD KIT, DEBRIS      | KIT DE PARE-DÉBRIS     |
| 2   | C550000830  | 1    | +SHIELD, DEBRIS PLASTIC | +PARE-DÉBRIS PLASTIQUE |
| 3   | C552000240  | 1    | +PLATE, SHIELD          | +PLAQUE DE PROTECTION  |
| 4   | V805000150  | 3    | +BOLT, TORX 5x16        | +BOULON TORX 5x16      |

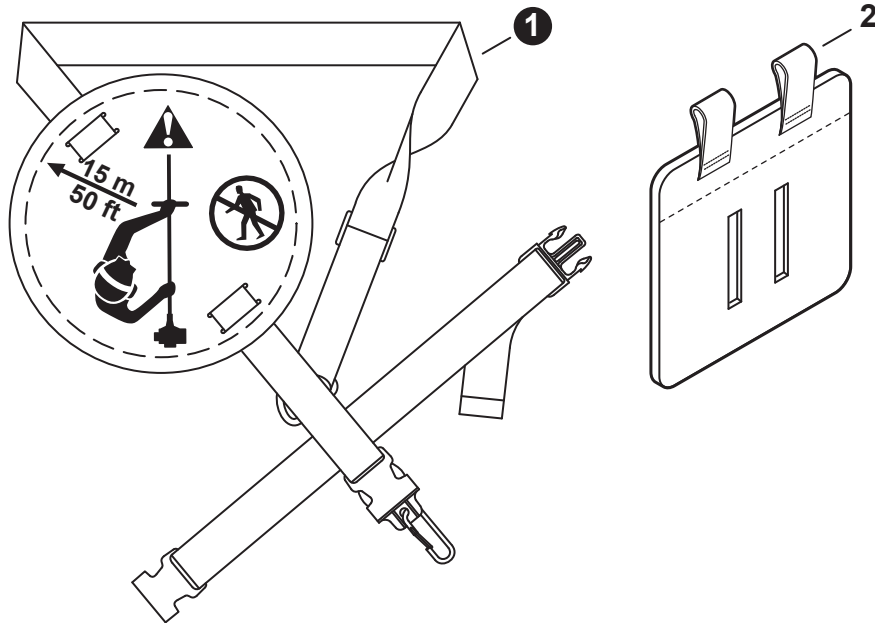




| NO. | PART NUMBER | QTY. | DESCRIPTION                | NOM DE LA PIÈCE           |
|-----|-------------|------|----------------------------|---------------------------|
| 1   | P021050510  | 1    | SHIELD KIT, DEBRIS - BLADE | KIT DE PARE-DÉBRIS - LAME |
| 2   | 90056250005 | 3    | +NUT, LOCK M5              | +ÉCROU D'ARRÊT M5         |
| 3   | C550000760  | 1    | +SHIELD, DEBRIS - BLADE    | +PARE-DÉBRIS - LAME       |
| 4   | C552000240  | 1    | +PLATE, SHIELD             | +PLAQUE DE PROTECTION     |
| 5   | V805000170  | 3    | +BOLT, TORX 5x25           | +BOULON TORX 5x25         |

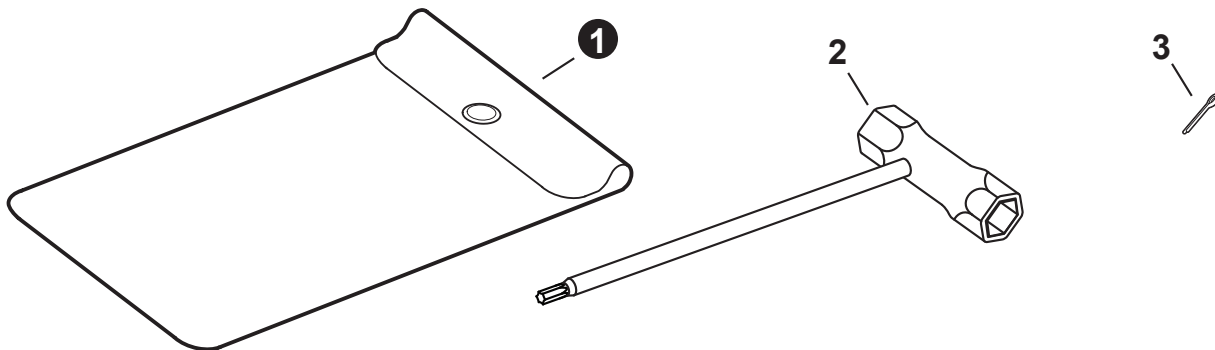


| NO. | PART NUMBER | QTY. | DESCRIPTION                   | NOM DE LA PIÈCE               |
|-----|-------------|------|-------------------------------|-------------------------------|
| 1   | 99944200907 | 1    | TRIMMER HEAD, SPEED-FEED® 400 | TÊTE DE COUPE SPEED-FEED® 400 |
| 2   | E415000180  | 1    | +KNOB                         | +BOUTON                       |
| 3   | X470000330  | 1    | +HOUSING ASSY, SPOOL          | +CORPS DE BOBINE COMPLET      |
| 4   | X475000110  | 2    | ++EYELET                      | ++OEILLET                     |
| 5   | X476000040  | 1    | +HUB (LH) BLACK               | +MOYEU (LH) NOIR              |
| 6   | V160000150  | 1    | +BUSHING M10x1.25 LH GOLD     | +BAGUE M10x1.25 LH OR         |
| 7   | X473000130  | 1    | +SPOOL                        | +BOBINE                       |
| 8   | V494000840  | 1    | +CAP, SPRING                  | +BOUCHON DE RESSORT           |
| 9   | V450001880  | 1    | +SPRING, GOLD                 | +RESSORT OR                   |
| 10  | X472000070  | 1    | +COVER, SPOOL                 | +COUVERCLE DE BOBINE          |



| NO. | PART NUMBER | QTY. | DESCRIPTION      | NOM DE LA PIÈCE      |
|-----|-------------|------|------------------|----------------------|
| 1   | C062000690  | 1    | HARNES, SHOULDER | HARSAIS D'ÉPAULE     |
| 2   | C652000000  | 1    | PAD, HIP         | PROTECTION DE HANCHE |

**Tools**  
Outils



| NO. | PART NUMBER | QTY. | DESCRIPTION      | NOM DE LA PIÈCE      |
|-----|-------------|------|------------------|----------------------|
| 1   | 89851039130 | 1    | BAG, TOOL        | SAC À OUTILS         |
| 2   | X602000440  | 1    | T-WRENCH         | CLÉ EN T             |
| 3   | 90030020022 | 1    | PIN, COTTER 2x22 | GOUPILLE FENDUE 2x22 |



| NO. | PART NUMBER | QTY. | DESCRIPTION                      | NOM DE LA PIÈCE                   |
|-----|-------------|------|----------------------------------|-----------------------------------|
| 1   | LBP-56V125A | 1    | BATTERY, 56V LITHIUM-ION - 2.5Ah | BATTERIE, LITHIUM-ION 56V - 2.5Ah |
| 2   | LC-56V2AAB  | 1    | CHARGER, BATTERY STANDARD 56V    | CHARGEUR DE BATTERIE STANDARD 56V |
| 3   | LC-56V4AAB  | 1    | CHARGER, BATTERY RAPID 56V       | CHARGEUR DE BATTERIE RAPIDE 56V   |