

WOODS

2-POST FOLDING ROPS

For Woods Mow'n Machine
Models FZ23B, FZ25D, FZ28K

MAN0968

(Rev. 5/23/2013)

**SAVE THIS
MANUAL!**

Include it with
your Mow'n Machine
Manual. It contains
repair part information
not found in other
manuals.

WOODS®

Woods Equipment Company

INSTALLATION MANUAL

TO THE DEALER:

Assembly and proper installation of this product is the responsibility of the Woods® dealer. Read manual instructions and safety rules. Make sure all items on the Dealer's Pre-Delivery and Delivery Check Lists in the Operator's Manual are completed before releasing equipment to the owner.

The dealer must complete the online Product Registration form at the Woods Dealer Website which certifies that all Dealer Check List items have been completed. Dealers can register all Woods product at dealer.WoodsEquipment.com under Product Registration.

Failure to register the product does not diminish customer's warranty rights.

TO THE OWNER:

Read this manual before operating your Woods equipment. The information presented will prepare you to do a better and safer job. Keep this manual handy for ready reference. Require all operators to read this manual carefully and become acquainted with all adjustment and operating procedures before attempting to operate. Replacement manuals can be obtained from your dealer. To locate your nearest dealer, check the Dealer Locator at www.WoodsEquipment.com, or in the United States and Canada call 1-800-319-6637.

The equipment you have purchased has been carefully engineered and manufactured to provide dependable and satisfactory use. Like all mechanical products, it will require cleaning and upkeep. Lubricate the unit as specified. Observe all safety information in this manual and safety decals on the equipment.

For service, your authorized Woods dealer has trained mechanics, genuine Woods service parts, and the necessary tools and equipment to handle all your needs.

Use only genuine Woods service parts. Substitute parts will void the warranty and may not meet standards required for safe and satisfactory operation. Record the model number and serial number of your equipment in the spaces provided:

Model: _____ **Date of Purchase:** _____

Serial Number: (see Safety Decal section for location) _____

Provide this information to your dealer to obtain correct repair parts.

Throughout this manual, the term **NOTICE** is used to indicate that failure to observe can cause damage to equipment. The terms **CAUTION**, **WARNING**, and **DANGER** are used in conjunction with the Safety-Alert Symbol (a triangle with an exclamation mark) to indicate the degree of hazard for items of personal safety.



This is the safety alert symbol. It is used to alert you to potential physical injury hazards. Obey all safety messages that follow this symbol to avoid possible injury or death.



Indicates a hazardous situation that, if not avoided, will result in death or serious injury.



Indicates a hazardous situation that, if not avoided, could result in death or serious injury.



Indicates a hazardous situation that, if not avoided, could result in minor or moderate injury.

**IMPORTANT
or NOTICE**

Is used to address practices not related to physical injury.

NOTE Indicates helpful information.

ALITEC™
BMP®
CENTRAL FABRICATORS®
GANNON®
GILL®
WAIN-ROY®
WOODS®

WOODS®
Woods Equipment Company

2 Introduction

Gen'l (Rev. 3/28/2012)

2-POST FOLDING ROPS INSTALLATION

Install 2 Post Folding ROPS

For installing this kit, references to right, left, forward, and rearward directions are determined from the operator's position in the power unit seat.

1. Insert ROPS post into the left and right pocket slots, located behind the seat on the power unit's frame.
2. Align holes with holes in the frame slot. Secure using two 5/8 cap screws (5), hardened flat washers (9), and flange lock nuts (6).
3. Torque hardware to 170 lbs-ft.

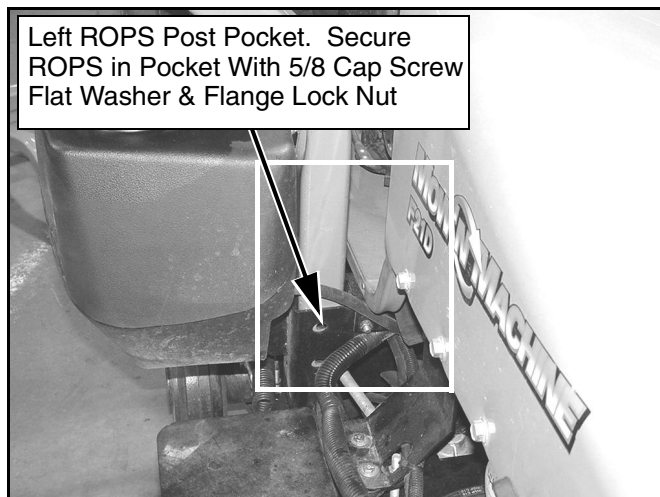


Figure 1. Left Side ROPS Post Installed in Pocket

2. 75269 Decal, Warning
3. ----- 2 Post ROPS
5. 21341 5/8 NC x 3-1/4 HHCS GR5
6. 19025 5/8 NC Flange Lock Nut
9. 57817 5/8 SAE Hardened Flat Washer

2 - 75269



Figure 2. 2 Post Folding ROPS Installation

Install Seat Belt

For Power Units with Seat 09230000. See page 6 to identify seat.

1. Locate the seat belt mounting brackets on the right and left sides of the seat. See Figure 3.
2. Attach seat belt with buckle to the left side of seat using cap screw (10), flat washer (12), Lock washer (11), and lock nut (13). See Figure 4.
3. Attach seat belt with tab to the right side of seat.

- | | | |
|-----|-------|-----------------------------------|
| 4. | 75270 | Seat belt kit (includes hardware) |
| 10. | 5795 | 7/16 NC x 1-1/2 Cap screw GR5 |
| 11. | 5664 | 7/16 Lock washer |
| 12. | 2210 | 7/16 Flat washer |
| 13. | 13921 | 7/16 NC Lock nut |

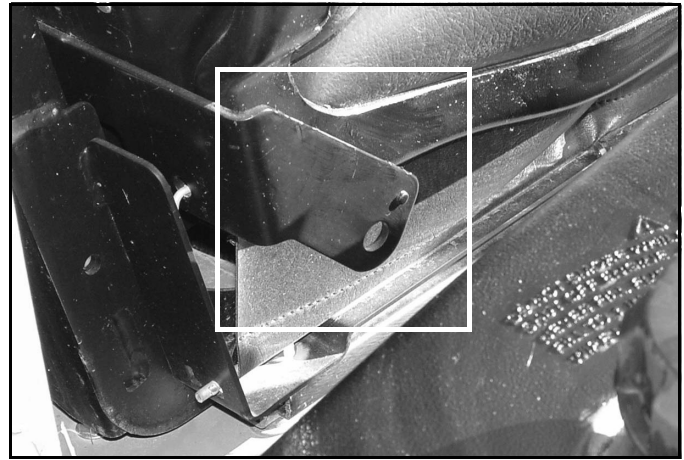
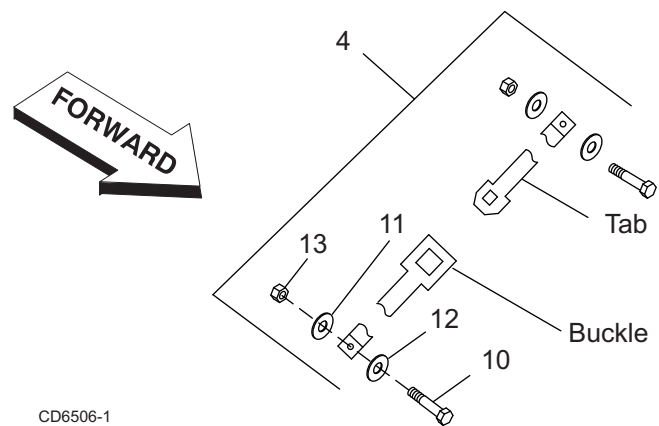


Figure 3. Right Seat Belt Mounting Bracket



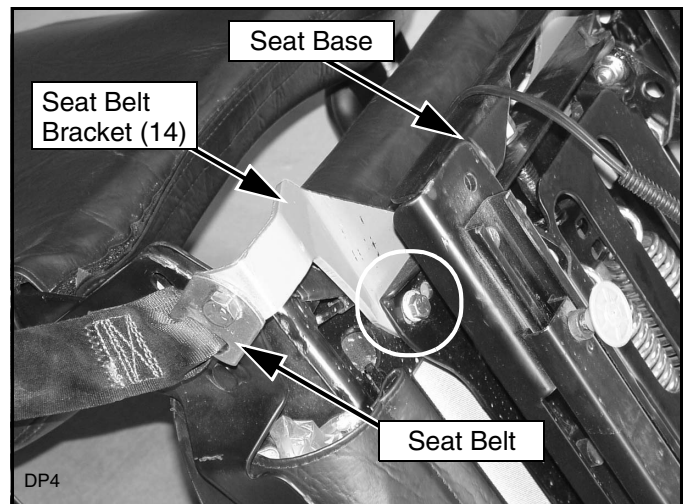
CD6506-1

Figure 4. Seat Belt Assembly

For Power Units with Seat 75225. See page 6 to identify seat.

1. Remove seat from seat pan.
2. Remove rear hardware that secures seat to seat base. Loosen front hardware.
3. Place seat belt bracket (14) between seat and seat base, align holes, and secure using hardware previously removed.
4. Attach seat belt to the seat belt bracket. Install seat belt with tab on the left side and seat belt with buckle on the right side of seat.
5. Secure using cap screws (10), flat washers (12), Lock washers (11), and hex nuts (13), Figure 4.
6. Attach seat to seat pan using hardware previously removed.

- | | | |
|-----|------|-------------------------------|
| 10. | 5795 | 7/16 NC x 1-1/2 Cap screw GR5 |
| 11. | 5664 | 7/16 Lock washer |



DP4

Figure 5. Seat Belt Bracket Installed

- | | | |
|-----|-------|-------------------|
| 12. | 2210 | 7/16 Flat washer |
| 13. | 13921 | 7/16 NC Hex nut |
| 14. | 75271 | Seat belt bracket |

Install Retaining Strap

For Power Units with Seat 09230000.

1. Remove seat slide stop bolt from behind left rear corner of seat.
2. Loosen the two front nuts that fasten the seat to the power unit's seat pan.
3. Remove the two rear nuts that fasten the seat to the power unit's seat pan.
4. Remove the two rear spacers between the seat pan and the seat.
5. Place the retaining strap (1) across the seat pan and insert the seat studs through retaining strap and seat pan (Figure 6). Secure seat by tightening all four nuts.
6. Install seat slide stop bolt from previous location.
7. Insert clevis pins (8) through left and right side of retaining strap and ROPS tab. Secure with pin clips (7).
8. Torque hardware to 19 lbs-ft.

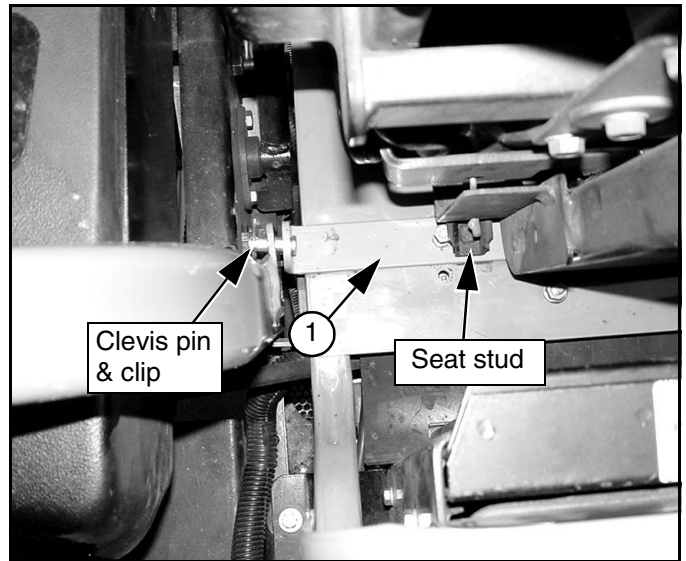


Figure 6. Retaining Strap Installed

- | | | |
|----|---------|------------------------|
| 1. | 75267 | Deck retainer strap |
| 7. | 1006471 | Hitch pin clip |
| 8. | ----- | 3/8 x 1-1/2 Clevis pin |

For Power Units with Seat 75225.

1. Remove seat slide stop bolt from behind left rear corner of seat.
2. Place the retaining strap (1) across the back of the seat pan and align holes.
3. Insert seat slide stop bolt (15), (previously removed) through left hole of the retaining strap and the seat slide stop hole in the seat pan.
4. Secure right side of retaining strap using cap screw (19), flat washer (20), and hex nut (17).
5. Insert clevis pins (8) through left and right side of retaining strap and ROPS tab. Secure with pin clips (7).
6. Torque hardware to 19 lbs-ft.

- | | | |
|-----|---------|---------------------------|
| 1. | 1035825 | Deck retainer strap |
| 7. | 1006471 | Hitch pin clip |
| 8. | ----- | 3/8 x 1-1/2 Clevis pin |
| 15. | * | 5/16 NC x 1-1/2 Cap screw |
| 16. | * | 5/16 NC Nut |
| 17. | 21170 | 5/16 NC Nut |
| 19. | 6096 | 5/16 NC x 3/4 Cap screw |
| 20. | 21109 | 5/16 Flat washer |
- * Seat slide stop hardware - Power Unit parts list.

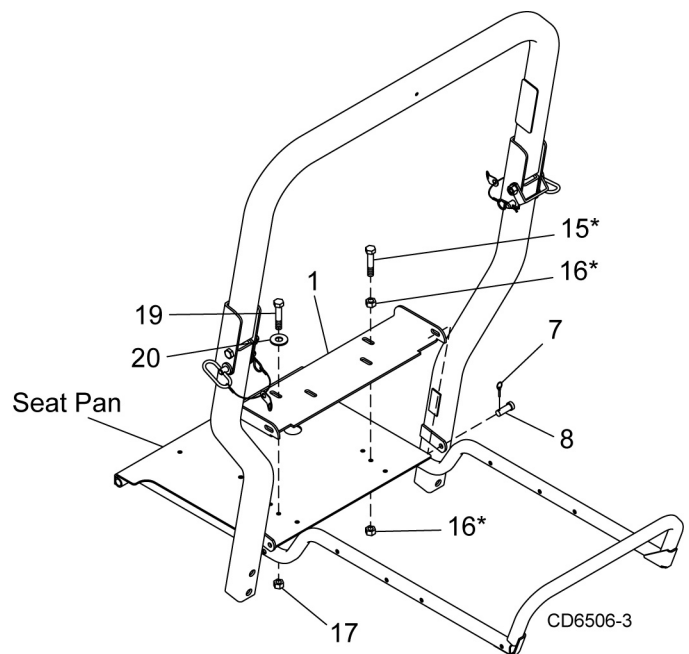
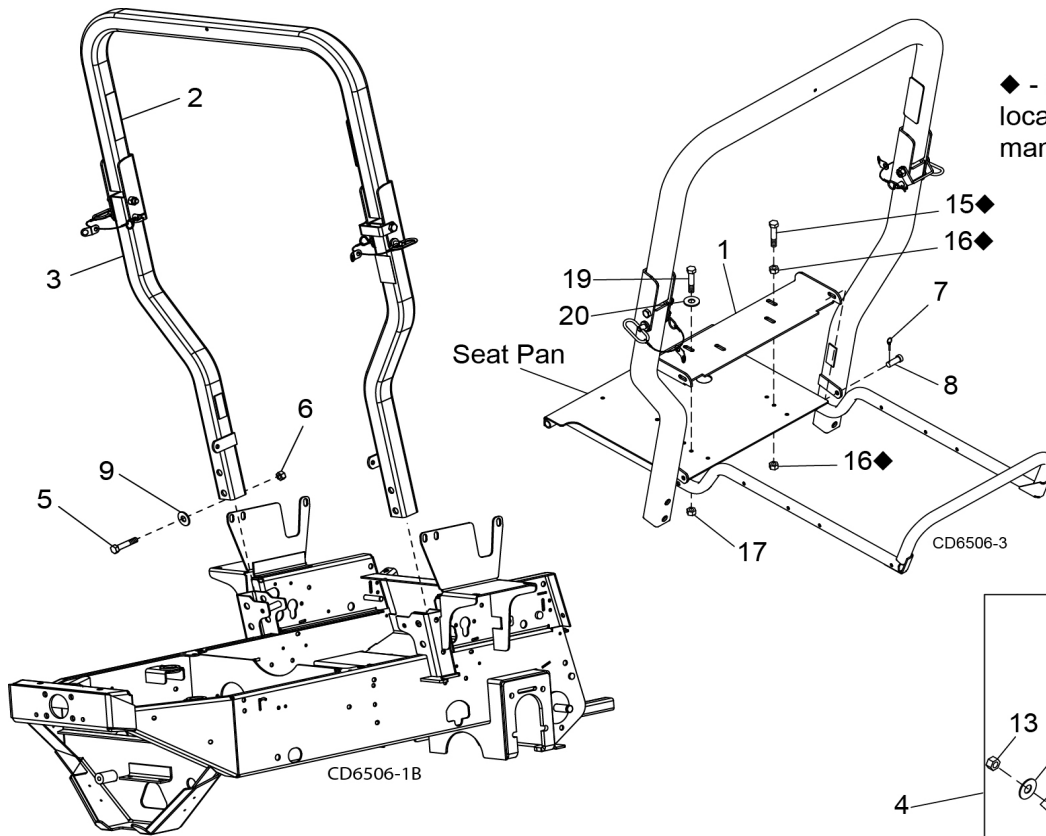


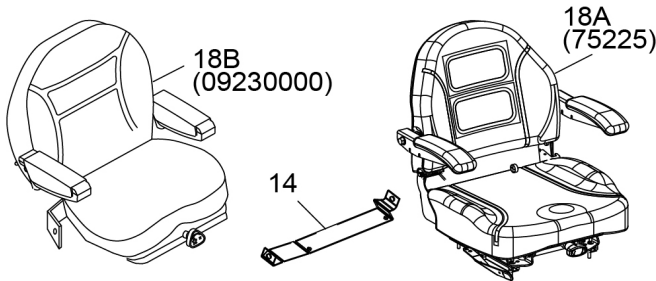
Figure 7. Retainer Strap Installation

2-POST FOLDING ROPS



◆ - Seat slide stop hardware located in the Power Unit manual MAN0070.

CD6506



⚠ CAUTION

Do not attempt to repair the ROPS frame or anchors. During a rollover or tip-over situation, some parts may not appear damaged when they really are. For instance, hairline cracks, etc. might compromise the strength of the entire structure. The ROPS manufacturer requires that the entire ROPS frame be replaced.

REF	PART	QTY	DESCRIPTION
1	1035825	1	Deck retainer strap
2	75269	1	Warning decal
3	NS	1	ROPS - 2 Post Folding
4	75270	1	Seat belt kit (hardware included)
5	21341 *	4	5/8 NC x 3-1/4 Cap screw GR5
6	19025	4	5/8 NC Flange Lock Nut
7	1006471	2	Hitch pin clip
8	N/S *	2	3/8 x 1-1/2 Clevis pin
9	57817	2	5/8 Hardened Flat Washer
10	5795 *	2	7/16 NC x1-1/2 Cap screw GR5
11	5664 *	2	7/16 Lock washer

REF	PART	QTY	DESCRIPTION
12	2210 *	2	7/16 Flat washer
13	13921 *	2	7/16 NC Locknut
14	75271	1	Seat belt bracket
17	21170 *	1	5/16 NC Hex nut
18A	75225	1	Seat (seat belt bracket (14) required)
	or	or	
18B	09230000	1	Seat (Seat belt anchor attached)
19	6096 *	1	5/16 NC x 3/4 Cap screw GR5
20	21109 *	1	5/16 Flat washer

* Standard hardware, obtain locally
N/S Not serviced separately

6 Parts

(Rev. 5/23/2013)
MAN0968 (8/30/2012)

BOLT TORQUE CHART

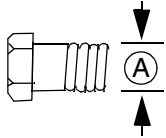
Always tighten hardware to these values unless a different torque value or tightening procedure is listed for a specific application.

Fasteners must always be replaced with the same grade as specified in the manual parts list.

Always use the proper tool for tightening hardware: SAE for SAE hardware and Metric for metric hardware.

Make sure fastener threads are clean and you start thread engagement properly.

All torque values are given to specifications used on hardware defined by SAE J1701 MAR 99 & J1701M JUL 96.



SAE SERIES TORQUE CHART



SAE Grade 2
(No Dashes)

SAE Bolt Head Identification

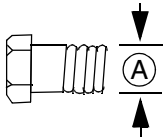


SAE Grade 5
(3 Radial Dashes)



SAE Grade 8
(6 Radial Dashes)

Ⓐ Diameter (Inches)	Wrench Size	MARKING ON HEAD					
		SAE 2		SAE 5		SAE 8	
		lbs-ft	N-m	lbs-ft	N-m	lbs-ft	N-m
1/4"	7/16"	6	8	10	13	14	18
5/16"	1/2"	12	17	19	26	27	37
3/8"	9/16"	23	31	35	47	49	67
7/16"	5/8"	36	48	55	75	78	106
1/2"	3/4"	55	75	85	115	120	163
9/16"	13/16"	78	106	121	164	171	232
5/8"	15/16"	110	149	170	230	240	325
3/4"	1-1/8"	192	261	297	403	420	569
7/8"	1-5/16"	306	416	474	642	669	907
1"	1-1/2"	467	634	722	979	1020	1383



METRIC SERIES TORQUE CHART



Metric
Grade 8.8

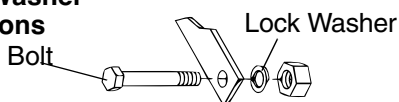
Metric Bolt Head Identification



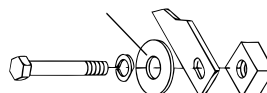
Metric
Grade 10.9

Ⓐ Diameter & Thread Pitch (Millimeters)	Wrench Size	Coarse Thread				Fine Thread				Ⓐ Diameter & Thread Pitch (Millimeters)
		Marking on Head				Marking on Head				
		Metric 8.8		Metric 10.9		Metric 8.8		Metric 10.9		
		N-m	lbs-ft	N-m	lbs-ft	N-m	lbs-ft	N-m	lbs-ft	
6 x 1.0	10 mm	8	6	11	8	8	6	11	8	6 x 1.0
8 x 1.25	13 mm	20	15	27	20	21	16	29	22	8 x 1.0
10 x 1.5	16 mm	39	29	54	40	41	30	57	42	10 x 1.25
12 x 1.75	18 mm	68	50	94	70	75	55	103	76	12 x 1.25
14 x 2.0	21 mm	109	80	151	111	118	87	163	120	14 x 1.5
16 x 2.0	24 mm	169	125	234	173	181	133	250	184	16 x 1.5
18 x 2.5	27 mm	234	172	323	239	263	194	363	268	18 x 1.5
20 x 2.5	30 mm	330	244	457	337	367	270	507	374	20 x 1.5
22 x 2.5	34 mm	451	332	623	460	495	365	684	505	22 x 1.5
24 x 3.0	36 mm	571	421	790	583	623	459	861	635	24 x 2.0
30 x 3.0	46 mm	1175	867	1626	1199	1258	928	1740	1283	30 x 2.0

Typical Washer Installations



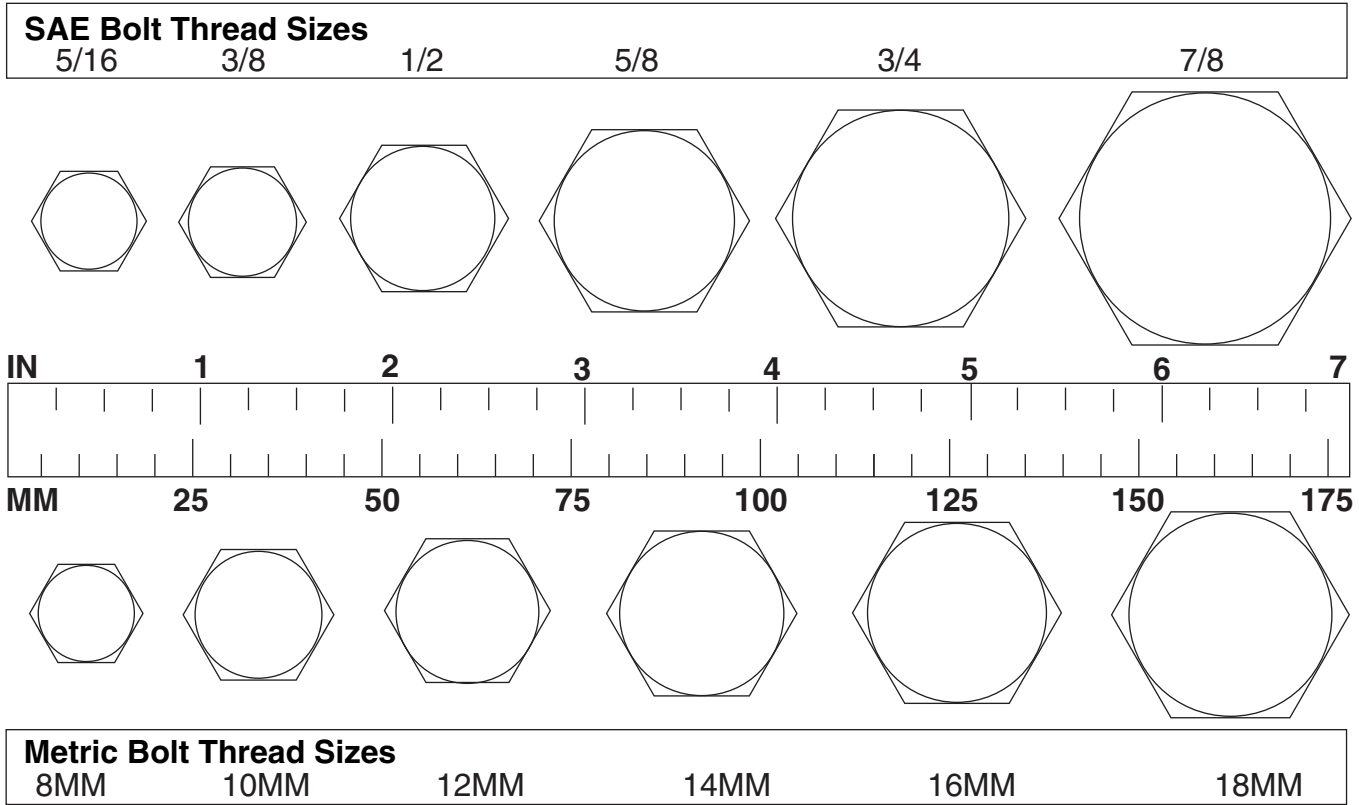
Flat Washer



8/9/00

BOLT SIZE CHART

NOTE: Chart shows bolt thread sizes and corresponding head (wrench) sizes for standard SAE and metric bolts.



ABBREVIATIONS

AG	Agriculture	MPa.....	Mega Pascal
ASABE.....	American Society of Agricultural & Biological Engineers (formerly ASAE)	N.....	Newton
ASAE	American Society of Agricultural Engineers	NC	National Coarse
ATF	Automatic Transmission Fluid	NF	National Fine
BSPP	British Standard Pipe Parallel	NPSM.....	National Pipe Straight Mechanical
BSPTM	British Standard Pipe Tapered Male	NPT	National Pipe Tapered
CV.....	Constant Velocity	NPT SWF	National Pipe Tapered Swivel Female
CCW	Counter-Clockwise	ORBM	O-Ring Boss - Male
CW.....	Clockwise	P.....	Pitch
F	Female	PBY	Power-Beyond
FT	Full Thread	psi.....	Pounds per Square Inch
GA	Gauge	PTO.....	Power Take Off
GR (5, etc.)	Grade (5, etc.)	QD.....	Quick Disconnect
HHCS	Hex Head Cap Screw	RH.....	Right Hand
HT.....	Heat-Treated	ROPS	Roll-Over Protective Structure
JIC	Joint Industry Council 37° Degree Flare	RPM	Revolutions Per Minute
LH.....	Left Hand	RT	Right
LT.....	Left	SAE	Society of Automotive Engineers
m.....	Meter	UNC	Unified Coarse
mm.....	Millimeter	UNF	Unified Fine
M.....	Male	UNS.....	Unified Special



LIMITED WARRANTY

(Mow'n Machine™ Zero-Turn Mower Replacement Parts)

Woods Equipment Company ("WOODS") warrants replacement parts for Mow'n Machine™ zero-turn mowers and attachments to be free from defect in material and workmanship for a period of ninety (90) days from the date of delivery of the product to the original purchaser.

IMPLIED WARRANTIES OF MERCHANTABILITY AND/OR FITNESS FOR A PARTICULAR PURPOSE ARE LIMITED IN DURATION TO A PERIOD OF NINETY (90) DAYS FROM THE DATE OF DELIVERY OF THE PRODUCT TO THE ORIGINAL PURCHASER. Some states do not allow limitations on how long an implied warranty lasts, so the above limitation may not apply to you.

This Warranty is extended solely to the original purchaser of the product. Should the original purchaser sell or otherwise transfer the product to a third party, this Warranty does not transfer to the third party purchaser in any way. There are no third party beneficiaries of this Warranty.

This Warranty does not cover normal wear or tear, or normal maintenance items, or any damage, failure or loss caused by improper operation, improper maintenance, misuse, or an accident.

WOODS' obligation under this Warranty is limited to, at WOODS' option, the repair or replacement, free of charge, of the product if the product is defective or in noncompliance with this Warranty. **The product must be returned to WOODS with proof of purchase within thirty (30) days after such defect or noncompliance is discovered or should have been discovered, routed through the dealer and distributor from whom the purchase was made, transportation charges prepaid.** WOODS shall complete such repair or replacement within a reasonable time after WOODS receives the product.

WOODS shall not be liable for any incidental or consequential losses, damages or expenses, arising directly or indirectly from the product, whether such claim is based upon breach of contract, breach of warranty, negligence, strict liability in tort or any other legal theory. Without limiting the foregoing, WOODS shall not be liable for any damages relating to (i) lost profits, business, revenues or goodwill; (ii) any expense or loss incurred for labor, supplies, substitute machinery or rental; or (iii) any other type of damage to property or economic loss. Some states do not allow the exclusion or limitation of incidental or consequential damages, so the above limitations may not apply to you.

No agent, representative, dealer, distributor, service person, salesperson, or employee of any company, including without limitation, WOODS, its authorized dealers, distributors, and service centers, is authorized to alter, modify, or enlarge this Warranty.

This Warranty gives you specific legal rights, and you may also have other rights which may vary from state to state.

Answers to any questions regarding warranty service and locations may be obtained by contacting:

Woods Equipment

A Blount International Company

2606 South Illinois Route 2
Post Office Box 1000
Oregon, Illinois 61061 USA

800-319-6637 tel
800-399-6637 fax
woodsequipment.com

WOODS
Woods Equipment Company

ALITEC™

BMP®

CENTRAL FABRICATORS®

GANNON®

GILL®

WAIN-ROY®

WOODS®



LIMITED WARRANTY

Mow'n Machine™ Zero-Turn Mowers

Please Enter Information Below and Save For Future Reference.

Date Purchased: _____ From (Dealer): _____

Model Number: _____ Serial Number: _____

WHAT IS COVERED:

Woods Equipment Company ("WOODS") warrants Mow'n Machine™ zero-turn mowers, attachments and accessories to be free from defect in material and workmanship for the warranty periods listed below.

FOR HOW LONG:

Mow'n Machine Model #FZ22K, FZ23B, FZ25D, FZ28K & attachments are warranted for two (2) years from the date of delivery to the original purchaser or 2000 hours of operation, whichever occurs first.

IMPLIED WARRANTIES OF MERCHANTABILITY AND/OR FITNESS FOR A PARTICULAR PURPOSE ARE LIMITED IN DURATION TO THE DURATION OF THE WRITTEN WARRANTY PERIODS LISTED ABOVE. Some states do not allow limitations on how long an implied warranty lasts, so the above limitation may not apply to you.

WHO IS COVERED:

This Warranty is extended solely to the original purchaser of the product. Should the original purchaser sell or otherwise transfer the product to a third party, this Warranty does not transfer to the third party purchaser in any way. There are no third party beneficiaries of this Warranty.

WHAT IS NOT COVERED:

This Warranty does not cover normal wear or tear, or normal maintenance items, or any damage, failure or loss caused by:

1. Improper operation, improper maintenance, misuse, or an accident;
2. Any modification or repair by someone other than WOODS, a WOODS' authorized dealer or distributor, and/or a WOODS' authorized service center; or
3. Repairs made with parts other than those obtained through WOODS.

WOODS makes no warranty, express or implied, with respect to engines, batteries, tires or other parts or accessories with respect to which the manufacturer provides a separate warranty.

WHAT WOODS WILL DO TO CORRECT PROBLEMS:

WOODS' obligation under this Warranty is limited to, at WOODS' option, the repair or replacement, free of charge, of the product if the product is defective or in noncompliance with this Warranty. The product must be returned to WOODS with proof of purchase within thirty (30) days after such defect or noncompliance is discovered or should have been discovered, routed through the dealer and distributor from whom the purchase was made, transportation charges prepaid. WOODS shall complete such repair or replacement within a reasonable time after WOODS receives the product.

OTHER LIMITATIONS:

WOODS shall not be liable for any incidental or consequential losses, damages or expenses, arising directly or indirectly from the product, whether such claim is based upon breach of contract, breach of warranty, negligence, strict liability in tort or any other legal theory. Without limiting the foregoing, WOODS shall not be liable for any damages relating to (i) lost profits, business, revenues or goodwill; (ii) any expense or loss incurred for labor, supplies, substitute machinery or rental; or (iii) any other type of damage to property or economic loss. Some states do not allow the exclusion or limitation of incidental or consequential damages, so the above limitations may not apply to you.

No agent, representative, dealer, distributor, service person, salesperson, or employee of any company, including without limitation, WOODS, its authorized dealers, distributors, and service centers, is authorized to alter, modify, or enlarge this Warranty.

HOW STATE LAW APPLIES:

This Warranty gives you specific legal rights, and you may also have other rights which vary from state to state.

QUESTIONS:

Answers to any questions regarding warranty service and locations may be obtained by contacting:

Woods Equipment

A Blount International Company

2606 South Illinois Route 2
Post Office Box 1000
Oregon, Illinois 61061 USA

800-319-6637 tel
800-399-6637 fax
woodsequipment.com



ALITEC™
BMP®
CENTRAL FABRICATORS®
GANNON®
GILL®
WAIN-ROY®
WOODS®