

• AMPHIBIOUS • ALL SEASON • ALL TERRAIN • SIX PASSENGERS



SINCE 1967

2015  
Commercial Vehicles

EXTREME TERRAIN VEHICLE SOLUTIONS



## The Most Versatile Off-Road Vehicles in the World

Designed for reliability in the toughest terrain conditions imaginable, ARGO vehicles will quickly become a valuable asset at any off-road work site. Water, deep mud, snow and ice are no obstacles for the ARGO and with its short wheel base, high ground clearance and small overhangs, the ARGO is able to achieve exceptional approach, breakover and departure angles making hills and uneven terrain a joy to ride. What ever the task, ARGO vehicles overcome the challenges with proven durability and performance, adaptable platforms and numerous optional accessories.



**NEW**  
NEW ARGO 8x8 Frontier EFI outperforms on mixed terrain and elevations, with greater fuel efficiency and reliable cold weather starting.



**NEW**  
NEW ARGO 8x8 trailer for hauling material or transporting equipment up to 1,400 lb. (635 kg).



**NEW**  
NEW tracks featuring heavy duty UHMW-PE guides, reinforced rims and high impact resistant turf tires.



**NEW**  
NEW Fire fighting platform: 75 gallon tank, 5 gallon foam cell, 6 hp Honda engine, fire pump, booster hose and forestry nozzle.



**NEW**  
NEW Universal Mounting System for quick connect installation of power packs, tanks and other industrial equipment.



**NEW**  
New ARGO Roof for protection against the elements providing operator comfort. (mounts onto ARGO ROPS)

**Optional Extras: Chain lubrication system to reduce maintenance. High torque transmission for better performance in extreme terrains.**

# When performance and time are crucial factors in the success of your remote site operations... ARGO is the best way to go!

## Fully Amphibious without Vehicle Preparation

ARGO vehicles are capable of floating on water allowing transport for up to 4 passengers or a total load capacity of 1,000 lb. (454 kg).\* The specially designed tires propel the ARGO at a speed of 3 mph (5 kph). \*The ARGO 8x8 CENTAUR will traverse flooded areas, shallow rivers and streams with a fording depth of 26"(660 mm).

## Stability

The lightweight design provides safe operation in challenging terrain and allows 9" (225 mm) of ground clearance at the center of the vehicle. The specified load capacity of ARGO models is maintained in most off-road applications while the load capacity of UTV and other vehicles often is considerably reduced to allow for safe operation in challenging terrain.

## Driver Operation and Control

Most ARGO models feature the technologically advanced, direct drive triple differential ADMIRAL steering transmission, feeding even torque to all 8 of the big 25" (635 mm) ARGO tires. Operating in high range, these superior extreme terrain vehicles steer smoothly through challenging terrain. In low range, the ARGO can turn within its own length with minimal effort, allowing for extremely tight turns.\*\* The ARGO has excellent approach and departure angles to easily overcome obstacles.

\*\*Applies to tires-only application.

## Safety

The low center of gravity and all-wheel drive provide sure-footed traction and maneuverability through demanding weather and terrain conditions. ARGO models are equipped with a standard emergency/parking brake and a skid plate for lower body protection is available as a standard or optional feature.

ARGO models can be equipped with an optional rollover protective structure (ROPS) with integral driver / passenger seat belts and optional windshield.

## Proven Track Record

ARGO vehicles are manufactured by ODG in New Hamburg, Ontario, Canada at ODG's 121,500 sq.ft. (11,350m<sup>2</sup>) facility. Since 1962, ODG has been an innovative manufacturer of gears and transmissions, amphibious extreme terrain vehicles, and rovers for future lunar exploration. ODG introduced the world famous amphibious ARGO in 1967 and has sold more than 50,000 vehicles around the globe. Our dedicated team of engineers, production and technical support staff has made ARGO the most reliable, amphibious, off-road, utility vehicle you will ever drive.

## Solid Investment

The all season capabilities of ARGO models provide optimized utilization resulting in fast, year-round payback on investment. Proper operation and adherence to a scheduled maintenance program will ensure maximum uptime and usage for years to come.



ARGO vehicles go from land to water without vehicle preparation!



ARGO vehicles provides safe transport across all types of terrain.



Hydraulic power pack and breaker courtesy of Chicago Pneumatic

Work crews can perform tasks in isolated, off-road locations.



Your ARGO can be accessorized for winter maintenance.

**Safety!**  
...always in Season!

Seat belts must be worn by all occupants if a ROPS is installed however, they must be unfastened before water entry. For safety, we recommend wearing approved helmets and eye protection. When operating in water, always wear approved Personal Floatation Devices. Always remain seated while in the ARGO.

## Utilities, Oil & Gas and Mining

Crews and equipment have to travel miles through challenging terrain to inspect power lines or prospect new drilling sites. Helicopters or expensive tracked vehicles may be able to get the job done, but at what cost? Today's cost conscious industry leaders rely on ARGO vehicles to get the job done in extreme terrain conditions. ARGO vehicles can transport people, equipment and supplies or pull cables and utility poles to remote work sites.

- **Maintenance & Construction**  
(power lines, oil & gas pipelines, cable & wireless)
- **Exploration & Environmental Studies**
- **Soil Testing and Drilling**



### Minimal Environmental Impact

From the unique tread pattern of the tires to the low ground pressure, every ARGO model is designed to minimize its environmental footprint.



The fully amphibious ARGO can transport personnel and equipment across water and land to reach remote inaccessible locations.



The ARGO with tracks floats over deep snow in temperatures as low as  $-40^{\circ}\text{C}$  ( $-40^{\circ}\text{F}$ ).



Using the multi-purpose, adaptable platform, work crews can perform a variety of tasks at remote sites.

Welding equipment courtesy of Lincoln Electric.

## When Every Second Counts, Count On ARGO Vehicles

Many wilderness emergency tasks require the extra advantage that only the ARGO can provide. ARGO vehicles can be installed with spraying equipment and traverse the roughest terrain to extinguish isolated brush fires. Equip the ARGO with insect control devices and you now have a vehicle that will access remote regions and target specific problem areas. These reliable, extreme terrain vehicles are unmatched by any in the industry.

- **Search & Rescue**
- **Fire Fighting & Prevention**
- **Law Enforcement**
- **Insect Abatement**
- **Vector & Pest Control Weed Control**



The all terrain ARGO 8x8 transports personnel and equipment to remote accident sites and can evacuate the injured.



ARGO vehicles can be adapted to carry and deploy a variety of custom-fitted abatement solutions.



The all season ARGO can be outfitted with customized equipment for firefighting.

## Increase Your Productivity

### Resort Lodges, Outfitters and Ecotourism

The multi-passenger ARGO is the perfect vehicle for wilderness exploration, scenic tours, photo safaris and everything in-between.

- Ecotour Operators
- Outfitters & Adventure Tours
- Trail Grooming and Maintenance
- Transporting People and Supplies

### Agriculture and Woodlot Management

Spring thaws, heavy rains, flooded areas and dense bush can make your work extremely challenging. With the ARGO you can operate in any season and any terrain!

- Spraying, Seeding and Feeding
- Tapping Maple Trees
- Pulling Logs and Hauling Trailers
- Plowing Snow



All terrain ARGO 8x8 vehicles can transport up to six passengers.



The versatility of ARGO vehicles makes them ideal for farm work.



All season ARGO vehicles can be used to maintain and groom trails.

## Military and Humanitarian Applications

ARGO vehicles are air deliverable, can be used in all seasons and are developed to accommodate all terrain conditions. Their rapid deployment capability, together with the modular flexibility of the system facilitates many tasks and applications.

- Rapid Manpower Mobility
- Supply and Re-Supply of Equipment and Operational Consumables
- Communications Command Modules
- Reconnaissance and Surveillance Modules
- Peacekeeping Force Mobility
- Agility in Accessing Dense Urban Areas



The upper body of ARGO vehicles can be modified to suit particular military requirements and needs.



Fully autonomous ground vehicles (unmanned or with operator) used for perimeter patrol, surveillance, fire fighting, and re-supply.



ARGO vehicles are fully amphibious and can be converted for specialized scouting operations.

# Argo 8x8 CENTAUR

Optional dump box

Optional 18" (457 mm) rubber tracks



Optional brushguard, light guards and winch

9" (229 mm) ground clearance

An all terrain utility vehicle featuring a 34 hp (25.3 kW) Briggs & Stratton Daihatsu, turbo diesel, in-line 3 cylinder, 4 cycle, liquid cooled engine and patented CENTAURMATIC transmission. The ARGO CENTAUR features smooth steering with zero turn capability and full time traction to all axles. The low center of gravity and full-time eight-wheel drive provide sure-footed traction and maneuverability through demanding terrain and weather conditions.

The ARGO CENTAUR has an Integral Rollover Protective Structure (ROPS) and is designed to go through flooded areas or across shallow rivers and streams with a fording depth of 26"(660 mm).

For complete information on the ARGO 8x8 CENTAUR visit our Web site at [www.ARGOutv.com/products/centaur](http://www.ARGOutv.com/products/centaur).

# Argo 8x8 XT Models

Optional dump box



Large rear cargo area provides space for additional seating or mounting of third party equipment. Hydraulic Compressor courtesy of VMAC.

Optional 18" (457 mm) HD quad rubber tracks



Optional HardTop

# Argo 8x8 XTI Argo 8x8 XTD

9" (229 mm) ground clearance

These 8-wheel drive amphibious off-road vehicles feature Kohler diesel or EFI engines plus ODG patented, triple differential, ADMIRAL transmissions. The main chassis has been engineered using field-proven technology, allowing for increased payloads and greater durability.

For complete information on the ARGO 8x8 XT Models visit our Web site at [www.argoutv.com/catalog/XT-models](http://www.argoutv.com/catalog/XT-models).

For all vehicle configurations, rubber tracks are available for better traction in soft terrain or snow.

# ARGO 8x8 750 HDi

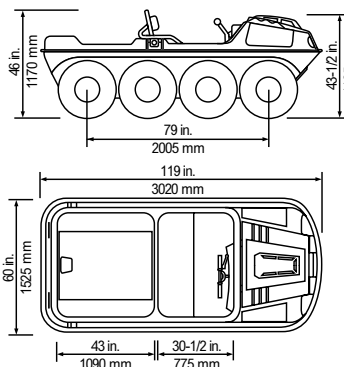
This 8-wheel drive amphibious off-road vehicle is powered by a 4-stroke OHV V-Twin liquid cooled 748cc, 30 hp (22 kW) Kohler Aegis LH 775 engine with electronic fuel injection. It has a load capacity of up to 1,150 lb. (521 kg) on land or 1,000 lb. (454 kg) on water, can transport 6 passengers on land, 4 on water and features a towing capacity of 1,800 lb. (817 kg).

### Overview

The ultimate machine for those who don't like compromise solutions! This ARGO has it all – a powerful yet quiet, liquid cooled, fuel injected engine, efficient ADMIRAL steering transmission and large 25" (635 mm) wheels combine to give this machine great top speed handling and best-in-class extreme terrain capability while carrying its full payload. It is equally well-suited for hard work and hard play.

### Features

- Innovative triple-differential ADMIRAL transmission with independent steering brakes
- Optional high torque transmission for extreme terrain performance
- Increased steering efficiency for more and constant power to the wheels
- Electronic Fuel Injection provides:
  - Increased fuel efficiency
  - Reliable cold weather starting
  - Improved high altitude performance
  - On-board diagnostics
- Large rear cargo capacity
- Long wheel base for increased ride comfort over rough terrain
- Large triple-sealed outer axle bearings
- Front and rear bearing extensions
- 8-wheel traction with low centre of gravity for extra stability
- Electronic ignition
- Self-adjusting hydraulic brakes with vented discs
- Low emissions



# ARGO 8x8 SPECIAL EDITION 750 HDi



This Special Edition 8-wheel drive amphibious off-road vehicle is powered by a 4-stroke OHV V-Twin liquid cooled 748cc, 30 hp (22 kW) Kohler Aegis LH775 engine with fuel injection. It has a load capacity of up to 1,000 lb. (454) kg on land or 850 lb. (386 kg) on water, can transport 6 passengers on land, 4 on water and features a towing capacity of 1,800 lb. (817 kg).

### Overview

This top-of-the-line extreme terrain vehicle features a powerful yet quiet, liquid cooled, fuel injected engine, efficient ADMIRAL steering transmission and large 25" ARGO wheels. This exciting machine easily navigates in thick mud, flooded areas or water while carrying or hauling all the equipment and gear you need.

### Special Features

- 3-way adjustable suspension seating with rear grab handles
- High / low beam headlights
- Front-mounted horn
- 7-pin electrical trailer connection
- Entry step
- Signal / side marker lamps
- Side view mirror
- Heavy duty alternator
- Optional seat belts



**NEW** \*This vehicle is also available as ARGO 8x8 750 HDi EU or 700 HD EU featuring road approval in Europe. Comes with a front hitch mount.

For all vehicle configurations, rubber tracks are available for better traction in soft terrain or snow.

# Argo 8x8 750 EFI

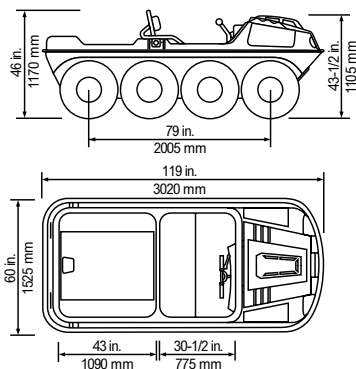
This 8-wheel drive amphibious off-road vehicle is powered by a 4-stroke OHV V-Twin liquid cooled 748cc, 30 hp (22 kW) Kohler Aegis LH 775 engine with electronic fuel injection. It has a load capacity of up to 1,150 lb. (521 kg) on land or 1,000 lb. (454 kg) on water, can transport 6 passengers on land, 4 on water and features a towing capacity of 1,800 lb. (817 kg).

### Overview

Great multipurpose vehicle for hunting, personal utility use and commercial applications. The large 25" (635 mm) wheels will take a full load over rocks and stumps with ease while providing extra stability and floatation in water. The powerful 30 hp (22 kW) liquid cooled engine will pull even the heaviest game out of the bush, or carry equipment and gear. The engine starts at the turn of the key, even on the coldest morning, thanks to the electronic fuel injection.

### Features

- Electronic Fuel Injection provides:
  - Better fuel economy
  - Reliable cold weather starting
  - Improved high altitude performance
  - On-board diagnostics
- Large rear cargo capacity
- Long wheel base for better ride comfort over rough terrain
- Large triple-sealed outer axle bearings
- Front and rear bearing extensions
- 8-wheel traction with low centre of gravity for extra stability
- Proven, state-of-the-art automatic continuously variable transmission with high and low range forward and reverse
- Optional high torque transmission for extreme terrain performance
- Electronic ignition
- Self-adjusting hydraulic brakes with vented discs
- Low emissions



### ARGO Limited Warranty

One year for vehicles, 3 years for Kohler engines and 2 years for Briggs & Stratton engines. Extended warranty plans available. Visit [www.ARGOutv.com/warranty](http://www.ARGOutv.com/warranty) for details.



25" (635 mm) ARGO tires with proprietary tread design shown with optional rubber tracks

# Argo 8x8 700 HD



This 8-wheel drive amphibious off-road vehicle is powered by a 4-stroke OHV V-Twin liquid cooled 674cc, 24 hp (17 kW) Kohler Aegis LH 690 engine. It has a load capacity of up to 1,150 lb. (521 kg) on land or 1,000 lb. (454 kg) on water, can transport 6 passengers on land, 4 on water and features a towing capacity of 1,800 lb. (817 kg).

### Overview

The quiet and smooth liquid cooled engine in combination with the efficient ADMIRAL steering transmission make this machine a joy to drive. It is easy to control running at top speed on a gravel road yet it can haul big loads through extreme terrain and water.

### Features

- Innovative triple-differential ADMIRAL transmission with independent steering brakes
- Increased steering efficiency for more and constant power to the wheels
- Optional high torque transmission for extreme terrain performance
- Optional suspension seats
- Increased steering efficiency for more and constant power to the wheels
- Large rear cargo capacity
- Long wheel base for increased ride comfort over rough terrain
- Large triple-sealed outer axle bearings
- Front and rear bearing extensions
- 8-wheel traction with low centre of gravity for extra stability
- Electronic ignition
- Self-adjusting hydraulic brakes with vented discs
- Low emissions

**NEW**

\*This vehicle is also available as ARGO 8x8 700 HD EU featuring road approval in Europe.

For all vehicle configurations, rubber tracks are available for better traction in soft terrain or snow.



# Argo 8x8 Frontier EFI



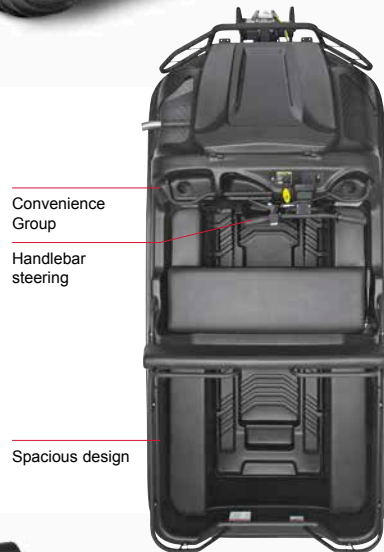
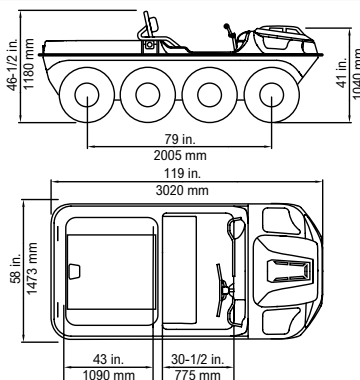
This 8-wheel drive amphibious off-road vehicle is powered by a 4-stroke OHV V-Twin air cooled 747cc, 23 hp (17 kW) Kohler Command Pro engine with electronic fuel injection. It has a load capacity of up to 1,000 lb. (454 kg) on land or 900 lb. (408 kg) on water, can transport 6 passengers on land, 4 on water and features a towing capacity of 1,400 lb. (635 kg).

### Overview

The most affordable ARGO 8x8 vehicle features great performance in difficult terrain and has excellent water crossing capabilities. Great load carrying capacity and powerful towing capabilities at an attractive price.

### Features

- Electronic Fuel Injection provides:
  - Better fuel economy
  - Reliable cold weather starting
  - Improved high altitude performance
  - On-board diagnostics
- Large rear cargo capacity
- Long wheel base for smooth ride comfort over rough terrain
- Large triple-sealed outer axle bearings
- Front bearing extensions
- 8-wheel traction with low centre of gravity for extra stability
- Electronic ignition
- Proven, state-of-the-art automatic continuously variable transmission with high and low range forward and reverse
- Self-adjusting hydraulic brakes with vented discs
- Low emissions



Convenience Group  
Handlebar steering

Spacious design

# Argo 6x6 650 HD

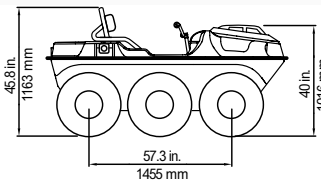
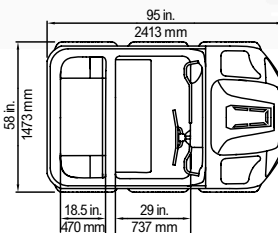
This 6-wheel drive amphibious off-road vehicle is powered by a 4 stroke OHV V-Twin air cooled 627cc, 23 hp (17 kW) Briggs & Stratton "Cooler Cleaner" engine. It has a load capacity of up to 700 lb. (317 kg) on land or 500 lb. (227 kg) on water, can transport 4 passengers on land, 2 on water and features a towing capacity of 1,400 lb. (635 kg). Rear seat weight restriction of 140 lb. (63 kg) applies.

### Overview

Powerful top-of-the-line ARGO 6x6 extreme terrain vehicle for challenging terrain, deep mud, flooded areas and snow. For even better performance rubber tracks are available. State-of-the-art triple differential steering transmission provides a smooth ride, easy turns and quick response to overcome obstacles when it counts. Best in category towing capacity allows you to transport all the gear you need.

### Features

- Innovative triple-differential ADMIRAL transmission with independent steering brakes
- Increased steering efficiency for more and constant power to the wheels
- Large triple-sealed outer axle bearings
- Front and rear bearing extensions
- 6-wheel traction with low centre of gravity for extra stability
- Electronic ignition and back-up recoil starter
- Self-adjusting hydraulic brakes with vented discs
- Low emissions



For all vehicle configurations, rubber tracks are available for better traction in soft terrain or snow.



Tracks add greater maneuverability in difficult and varied terrain. [www.argotv.com/catalog/tracks](http://www.argotv.com/catalog/tracks)



Maximize the utilization of your ARGO with a snow plow and trailer.



For greater speed on water add an outboard bracket and up to 9.9 hp motor.



A bedliner will protect your ARGO and facilitate transportation of equipment and tools



An ARGO equipped with search and rescue apparatus can reach and evacuate injured in remote terrain.

ACCESSORIES	6 X 6		8 X 8		
	650 HD	FRONTIER EFI	700 HD	750 EFI 750 HDi	750 HDi SE
<b>COMFORT</b>					
Convertible Top	649-51	849-51	849-40	849-40	849-40
Convertible Half-Top	N/A	N/A	849-45	849-45	849-45
Heater	N/A	N/A	848-170	848-170	848-170
Rear Bench Seat	N/A	849-80	849-80	849-80	849-80
Suspension Seats	N/A	N/A	*	*	Included
Windshield	648-79	648-79	848-171	848-171	848-171
Windshield Wiper	648-91	648-91	648-91	648-91	648-91
<b>CONVENIENCE</b>					
Alternator	N/A	N/A	850-54	850-54	Included
Auto Chain Lubrication System	850-213HD6	850-213FR8	850-213	850-213	850-213
Cargo Tie Down Rings	614-06	614-06	614-06	614-06	614-06
Entry Step	N/A	848-173	848-173	848-173	Included
Gas Can Holder	867-01	867-01	867-01	867-01	867-01
Gun Holder - Sure Grip	848-200	848-200	848-200	848-200	848-200
Handrails	639-26	839-35	839-30	839-30	839-30
Helicopter Lift Kit**	865-00	865-00	865-00	865-00	865-00
Mounting Assembly (Brushguard/Winch)	622-107	622-108	622-108	622-108	Included
Outboard Motor Bracket	617-09	617-10	617-10	617-10	617-10
Power Winch	622-143	622-142	622-142	622-142	622-105SE
Receiver Winch (Wiring & Rear Hitch)	622-96	622-96	622-96	622-96	622-96
Remote Control (Winch)	622-137	622-137	622-137	622-137	622-137
Snow Plow Kit	657-21	657-21	657-21	657-21	657-21
Tire Holder	868-01	868-01	868-01	868-01	868-01
Tow Hook	642-00	642-00	642-00	642-00	Included
Trailer	CONTACT RETAILER FOR OPTIONS				
Universal Mounting System	N/A	959-10	959-10	959-10	959-10
Utility Bracket	821-25	821-25	821-25	821-25	N/A
Utility Rack	821-35	821-35	821-35	821-35	N/A
Utility Storage Pouch	621-35	621-35	621-35	621-35	621-35
<b>PROTECTION</b>					
Battery Shut Off	850-242	850-242	850-242	850-242	850-242
Bilge Pump	638-40	638-40	638-40	638-40	638-40
Brake Cooling Fan	N/A	602-75	864-01	864-01	864-01
Brake / Tail Lights	624-26	624-10	624-26	624-26	Included
Brushguard	642-50	642-50	642-49	642-49	Included
Brushguard for ROPS	642-80	642-80	642-80	642-80	N/A
Cargo Bedliner	N/A	866-01	866-01	866-01	N/A
Debris Screen	N/A	N/A	848-195	848-195	848-195
Fog Lights	648-92	648-92	648-92	648-92	648-92
Hood Fan	602-75	602-75	602-71	602-71	602-71
Mudflap	N/A	625-10	625-10	625-10	625-10
Reverse Back-up Alarm Kit	850-99	850-99	850-99	850-99	850-99
Roll Bar	648-15	N/A	N/A	N/A	N/A
Roll Bar Lights	648-90	N/A	N/A	N/A	N/A
Roof	N/A	863-26	863-26	863-26	863-26
ROPS c/w 2 Seat Belts	648-47	849-90-2	849-90-2	849-90-2	N/A
ROPS & Rear Bench Seat	N/A	849-90-4	849-90-4	849-90-4	N/A
Skid Plate	Included	863-13	Included	Included	Included
Storage Cover	621-21	821-40	821-40	821-40	821-40
<b>TRACKS</b>					
18" (457 mm) Rubber Tracks	625-50	825-50-1	825-50-1	825-50-1	825-50-1
13" (330 mm) Standard Tracks****	615-43	815-42K	815-42K	815-42K	815-42K
18" (457 mm) Super Tracks****	625-43	825-42K	825-42K	825-42K	825-42K
Super Track Ice Cleats	625-20	825-20	825-20	825-20	825-20
Rubber Track Ice Cleats	N/A	825-21	825-21	825-21	825-21
<b>SEARCH &amp; RESCUE</b>					
Basket Mount Adapter (Ferno RE 1125)*****	N/A	N/A	850-101	850-101	N/A
Stretcher Mount Adapter (Ferno #9)	N/A	N/A	850-100	850-100	N/A
Stretcher - Ferno #9	N/A	N/A	015-3204ARG	015-3204ARG	N/A

\* Factory Installed Option. \*\*Requires 25" Tires. \*\*\* Requires Front Bearing Extensions.  
 \*\*\*\*Standard and Super Tracks require the use of ARGO AT189 24x10.00-8NHS Tires.  
 \*\*\*\*\* Requires Stretcher Mount Adapter (850-100)

**COMFORT**



**Convertible Top**

Protects occupants from the weather. Has removable side and rear doors and stores folded down with boot cover. Requires fold-down windshield. (Optional roll bar light cannot be used with full convertible top).



**Convertible Half-Top**

Protects operator and side passenger from the elements. Features removable side and rear doors, allowing easy access to the rear cargo compartment area. Requires fold-down windshield.



**Suspension Seats**

3-way adjustable suspension seats for increased ride comfort.



**Windshield**

Scratch-resistant acrylic in an aluminum frame, features mounting hole for the optional windshield wiper accessory.

**Windshield Wiper**

Complete with everything needed to assemble and fit to your ARGO windshield. The wiper motor mounts quickly and easily, requiring no drilling on newer style predrilled windshields.

**CONVENIENCE**

**Auto Chain Lubrication System**

(Not shown) Reduces maintenance requirements. Increases chain life.

**Cargo Tie-Down Rings**

(Not shown) Six rings mount around the rear compartment (four rings for 6x6 models).



**Entry Step**

Convenient and easy access to the vehicle. Can be mounted in four different positions.



**Gas Can Holder**

Adjustable gas can holder mounted at the rear of the vehicle.

Please refer to page 10 for a complete overview of accessories.

For information on ARGO 8x8 XTD & XTI accessories visit [www.ARGOutv.com/catalog/XT-models](http://www.ARGOutv.com/catalog/XT-models).



**Gun Rack (Sure Grip)**

Provides convenient and safe storage. Absorbs the shock of rough terrain and keeps your sights accurate.



**Handrails**

Tubular steel rails mount around the body, providing hand-hold points for rear passengers.



**Helicopter Lift Kit**

Axle mounted at 4 corners, quick release point for helicopter sling connection.



**Outboard Motor Bracket**

This one-piece bracket mounts at the bumper and onto the trailer hitch bracket. Mounting location is slightly off-center and accepts an outboard motor of up to 9.9 hp for increased propulsion in water.



**WARN Power Winch**

For vehicle recovery or to raise and lower plow blade. 3,500 lb. (1,588 kg) capacity, reversing with free wheeling out, 40' (12 m) cable with 30' (9 m) nylon strap. Safety switch disables winch unless ignition is on.



**Rear Receiver Winch Accessory**

Mounts into the 8x8 trailer hitch receiver, extending the versatility of your winch. Includes instructions and wire harness for installation.

**Wireless Winch Remote Control**

Wireless and compact, this unit can control remote use of winch from a location of up to 50' (15.24 m) for added convenience and versatility.



**Snowplow Kit**

81" (2 m) wide steel blade features multi-angle positions. Attaches to front bearing extension housings. A snowplow will maximize the utilization of your ARGO. Note: Requires power winch.



**Tire Holder**

Easy to install. Convenient spare tire holder is mounted to the rear of the vehicle.



**Tow Hook**

Easy to install. Allows winch cables or towing straps to be attached to your ARGO.



**Trailers (Amphibious)**

4-wheel 600 lb. (275kg) load capacity. 8-wheel 1,400 lb. (635kg) load capacity. Complete with 24" (610 mm) or 25" (635 mm) tires. Contact Retailer for more information.

**Universal Mounting System**

(See photo on page 2) Quick change, up to 750 lb. (340 kg) capacity, universal mount. Bolts directly to main chassis offering a secure structure for third party equipment.



**Utility Bracket**

Two "rugged gear" utility hooks and barrel holder. Safely secures objects such as shovels, fishing rods, paddles, etc. to the outside or inside of your ARGO.



**Utility Rack**

Two formed flatbar brackets, four "rugged gear" utility hooks, and mounting hardware. Allows two rifles or shotguns to be carried on the inside of your ARGO.



**Utility Storage Pouch**

Dome snaps attach to backrest for convenient storage space. Ideal for keeping first aid kits, tools, electronics and other items safe, clean and easily accessible.

**PROTECTION**

**Battery Shut-Off**

(Not shown) Positive battery cable interrupt located under the driver seat. Disconnects battery to prevent accidental battery drain.

**Bedliner**

(Photo on page 10) Protect your cargo storage space. Simple installation, removable and easy to clean.

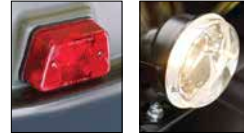


**Bilge Pump**

Highly recommended for amphibious use of any ARGO. Operated by a dash mounted switch, the pump quickly removes water from the lower body.

**Brake Cooling Fan (Not shown)**

105 CFM fan directing cool air to the service brakes.



**Brake/Tail Lights**

Complete wire harness and all necessary mounting hardware.



**Brushguard**

Installation of mounting assembly or power winch is required. The 8x8 700HD/750HDi Brushguard features an integrated tow hook and mounting tabs for fog light kit.

**Brushguard for ROPS (Not shown)**

Primarily designed to be installed with the ROPS.

**Fog Lights (Not shown)**

Provides added illumination in poor visibility due to rain, fog, dust or snow.

**Hood Fan (Not shown)**

Extracts hot air from engine compartment (in extreme heat conditions).

**Mudflaps (Not shown)**

Deflects snow and mud. Stay dry and clean when navigating through challenging terrain. Easy to install.



**Roller Protective Structure (ROPS)**

Powder-coated tubular steel frame provides rollover protection and seat belts for driver and front seat passenger.



**Roof**

Provides shelter from the elements. Requires ROPS.

**ROPS & Rear Bench Seat**

(Not shown) Protects driver, front seat passenger, and two rear passengers. Includes rear bench and four seat belts.



**Roll Bar**

Protects driver and passenger. Comes with two seat belts and fits all 6x6 models. (Reduces seating capacity to 2).

**Roll Bar Lights**

2 rubber mounted, shock resistant 3"x5" (76 mm x 127 mm) weather-proof lamps, easily installed on your existing roll bar.



**Skid Plate**

Formed from black high-density polyethylene, the skid plate protects the lower body from rocks and debris.



**Storage Protective Covers**

Fits all production models without roll bar or ROPS.

**TRACKS**



**Rubber Tracks**

18" (457 mm) wide provides optimum floatation and minimal ground pressure. Exceptional traction. Lightweight, durable construction and low rolling resistance ensures smooth, quiet operation in difficult terrain conditions.

**HD Rubber Tracks (Not shown)**

Centaur and XT models only! These tracks feature UHMW-PE guides, aluminum backing washers, and HD hinge lacing.



**Standard Tracks**

13" (330 mm) wide thermoplastic rubber segments go over 24" (610 mm) ARGO tires, reducing ground pressure for travel over snow or flooded areas.



**Super Tracks**

18" (457 mm) wide thermoplastic rubber segments go over 24" (610 mm) ARGO tires, to provide optimum floatation over deep snow.

**Ice Cleats for Tracks (Not shown)**

Steel cleats increase traction on ice and hard-packed snow.

**SEARCH & RESCUE**



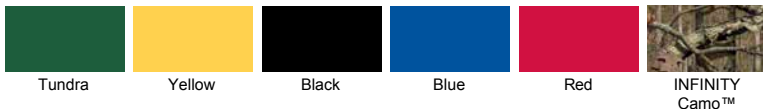
**ARGO Mount Adapter Solutions**

Accepts Ferno RE1125 or Ferno #9. Fits ARGO 8x8 700 HD and 750 HDi. Mount adapter can be adjusted for repositioning of front bench seating. Note: Front bench backrest is folded down when basket or stretcher are deployed.

**THE MOST VERSATILE OFF-ROAD VEHICLES IN THE WORLD**

Vehicle	6 X 6 650 HD	8 X 8 FRONTIER EFI	8 X 8 700 HD	8 X 8 750 EFI	8 X 8 750 HDi	8 X 8 750 HDi SE
Engine	Briggs & Stratton Vanguard		Kohler Command Pro	Kohler Aegis LH 690	Kohler Aegis LH 775	
Engine Warranty	2 year		3 year			
Type	4 cycle OHV V-Twin gasoline engine, electronic ignition, full pressure lubrication and oil filter					
Horsepower	23		24	30		
Displacement	627cc	747cc	674cc	748cc		
Cooling	Air Cooled			Liquid Cooled		
Starting	Electric/Recoil		Electric			
Brakes	Hydraulic					
Steering	One-piece, ergonomic handlebar. Steering control features hand brake. For safety and ease of handling, the ARGO steering transmission provides continuous torque to all axles.					
Controls	Right-hand twist grip throttle. Light switch and ignition switch. (ARGO 6x6 650HD and 8x8 700HD also feature a dash-mounted choke control)					
Clutch	Belt-driven, Continuously Variable Transmission (CVT) maximizes engine power to the transmission.					
Transmission	ADMIRAL <sup>8</sup>	Planetary <sup>9</sup>	ADMIRAL <sup>8</sup>	Planetary <sup>9</sup>	ADMIRAL <sup>8</sup>	
Drive System	Roller chains drive machined sprockets that are spline-fit onto 1 1/4" diameter axles and are protected with triple-sealed greaseable bearings.					
Frame	Formed steel channel construction, welded for high strength and durability. Polyester powder-coated for lasting protection.					
Body	Vacuum formed High Molecular Weight Polyethylene					
Full Skid Plate	Standard	Optional	Standard			
Load Capacity <sup>1</sup>	On Land	700 lb. (317 kg) total <sup>2</sup>	1,000 lb. (454 kg) total	1,150 lb. (521 kg) total		1,000 lb. (454 kg) total
	Rear Compartment	140 lb. (63 kg) max.				
	On Water	500 lb. (227 kg) total	900 lb. (408 kg) total	1,000 lb. (454 kg) total		850 lb. (386 kg) total
Towing Capacity <sup>3</sup>	1,400 lb. (635 kg)			1,800 lb. (818 kg)		
Seating Capacity <sup>4</sup>	On Land	4 persons		6 persons		
	On Water	2 persons		4 persons		
Fuel Capacity	7.1 US gallons (27 litres) See-through polyethylene fuel tank. 8 hrs. operation <sup>5</sup>					
Speed <sup>6</sup>	On Land	22 mph (35 km per hour)	19 mph (30 km per hour)	20 mph (32 km per hour)		
	On Water <sup>7</sup>	3 mph (5 km per hour)				
Shipping Weight	900 lb. (408 kg)	1,050 lb. (476 kg)	1,250 lb. (570 kg)	1,260 lb. (571 kg)	1,410 lb. (641 kg)	
Dimensions (L X W X H)	(inch)	95 x 58 x 45.8		119 x 60 x 46		
	(mm)	2,413 x 1,473 x 1,163	3,020 x 1,473 x 1,180	3,020 x 1,525 x 1,170		
Axle Bearing Extensions	Rear - Standard		Rear - Optional	Rear - Standard		
	LCD Digital Gauge Cluster: Speedometer, Odometer, Voltmeter, Hour Meter, Tachometer, Low Oil Pressure and Parking Brake Reminder Lights (ARGO 8x8 FRONTIER EFI also features a Check Engine Light)			LCD Digital Gauge Cluster: Speedometer, Odometer, Voltmeter, Hour Meter, Tachometer, Engine Coolant Temperature, Low Oil Pressure and Parking Brake Reminder Lights (ARGO 8x8 750 HDi & 750 HDi SE also feature a Check Engine Light)		
Tires	ARGO AT189 24x10.00-8NHS			ARGO AT189 25x12.00-9 NHS		
Ground Pressure	1.7 psi (13.5 kPa) using tires 0.67 psi (4.6 kPa) using tracks					
Ground Clearance	Tires	9.5" (240 mm)	9" (230 mm)	9.5" (240 mm)		
	Tracks	10.5" (265 mm)	10" (255 mm)	10.5" (265 mm)	11" (279 mm)	
Operating Conditions	All weather, all terrain, -40°F to +104°F (-40°C to +40°C)					

**AVAILABLE ARGO COLORS** \*Colors in this brochure are reproduced with great care, but may vary slightly from actual ARGO vehicle colors. ARGO 8x8 XT1 is only available in Tundra, Yellow, Red, Black and INFINITY Camo™.



**COLOR OPTIONS FOR ALL STEEL PARTS**

Ultra Chrome and other colors or custom coatings available on request.



220 Bergey Court, New Hamburg  
ON, Canada N3A 2J5  
Toll Free: **1-877-274-6288**  
Tel: (519) 662-4000  
Fax: (519) 662-2421  
**www.ARGOutv.com**



- Capacity includes occupants, cargo, outboard motor and fuel, and installed accessories. Max. outboard motor size 7.4 kW (9.9 hp).
- Total payload is 700 lb. (318 kg) with max. 140 lb. (64 kg) allocated to rear compartment.
- Towing capacity is approximate and depends on type of surface, load on vehicle as well as incline. Max Hitch Tongue Load (when equipped with hitch) 100 lb. (45 kg) for all models
- Subject to rear compartment load capacity limitations.
- Fuel consumption depends on load and operating conditions.
- All speeds are approximate and depend on conditions.
- Always wear approved Personal Floatation Device (PFD) when operating in water or on ice.
- ADMIRAL triple differential steering transmission with dedicated Hi and Low selector; Forward, Neutral, Reverse.
- Planetary differential transmission with High and Low range; Forward, Neutral, Reverse



Some vehicle applications shown are for demonstration purposes, originating from third parties and not available from ARGO. In all cases vehicle load limits have been considered. For safety, always wear approved helmets and eye protection. When operating in water, always wear approved Personal Floatation Devices. Always remain seated while in the ARGO.

**Safety!**  
...always in Season!

**tread lightly!**  
ON LAND AND WATER



Proud to be located in  
Canada's  
Technology  
Triangle