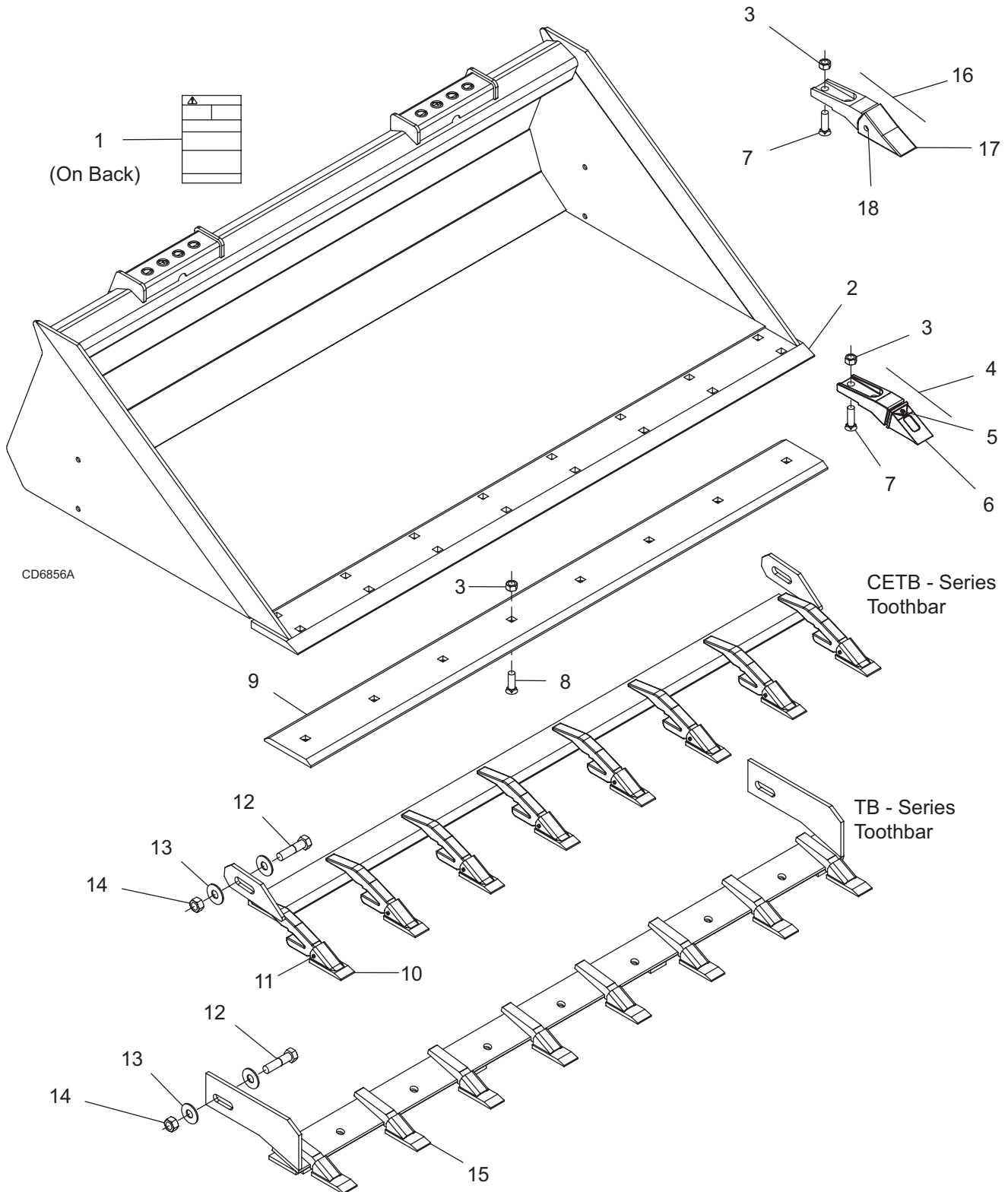


# SKID STEER BUCKET

## LPSB, LPLB, HDLP, UTS, HCS, UT, HC



## LPSB, LPLB, HDLP, UTS, HCS, UT, HC PARTS LIST

REF	PARTS	QTY	DESCRIPTION	LPSB	LPLB	HDLP	UTS	HCS	UT	HC
1	1016057	1	Warning Decal, Skid Steer Bucket	x	x	x	x	x	x	x
2	1014188	a	1	Cut edge, .75 X 6.00 X 60.75 SB	x	x			x	
2	56932	a	1	Cut edge, .75 X 6.00 X 60.75 SB			x			
2	1015266	a	1	Cut edge, .75 X 6.00 X 63.75 SB	x	x				
2	1014189	a	1	Cut edge, .75 X 6.00 X 66.75 SB	x	x	x		x	x
2	56934	a	1	Cut edge, .75 X 6.00 X 66.75 SB			x	x		
2	1014190	a	1	Cut edge, .75 X 6.00 X 73.75 SB	x	x	x		x	x
2	56936	a	1	Cut edge, .75 X 6.00 X 73.75 SB			x	x		
2	1014191	a	1	Cut edge, .75 X 6.00 X 78.75 SB	x	x	x		x	x
2	56938	a	1	Cut edge, .75 X 6.00 X 78.75 SB			x	x		
2	1014192	a	1	Cut edge, .75 X 6.00 X 84.75 SB	x	x	x		x	x
2	56939	a	1	Cut edge, .75 X 6.00 X 84.75 SB			x	x		
3	6239	A/R	5/8 NC Lock nut	x	x	x	x	x	x	x
4	1019508K	b	A/R	156 Series Point & Shank assembly	x	x	x			
5	P156F	A/R	156-series Roll pin	x	x	x				
6	AD156	A/R	156-series Cast tooth	x	x	x				
7	58574	c	A/R	Bolt, Plow 5/8 NC X 2-1/4	x	x	x			
8	21261	A/R	Bolt, Plow 5/8 NC X 2 GR8	x	x	x	x	x		
9	1014175K	b/d	1	Kit - 60" Bolt-on Cutting edge	x	x			x	
9	52672K	b/d	1	Kit - 60" Bolt-on Cutting edge			x			
9	1015267K	b/d	1	Kit - 63" Bolt-on Cutting edge	x	x				
9	1014176K	b/d	1	Kit - 66" Bolt-on Cutting edge	x	x	x		x	x
9	52674K	b/d	1	Kit - 66" Bolt-on Cutting edge			x	x		
9	1014177K	b/d	1	Kit - 73" Bolt-on Cutting edge	x	x	x		x	x
9	52676K	b/d	1	Kit - 73" Bolt-on Cutting edge			x	x		
9	1014178K	b/d	1	Kit - 78" Bolt-on Cutting edge	x	x	x		x	x
9	52678K	b/d	1	Kit - 78" Bolt-on Cutting edge			x	x		
9	1014179K	b/d	1	Kit - 84" Bolt-on Cutting edge	x	x	x		x	x
9	52679K	b/d	1	Kit - 84" Bolt-on Cutting edge			x	x		
10	1014438	A/R	Tooth - 2A Series Cast	x	x	x	x	x	x	x
11	FA510	A/R	5/16 X 1-3/4" Roll pin	x	x	x	x	x	x	x
12	13759	A/R	3/4 NC X 2-1/4 HHCS GR5	x	x	x	x	x	x	x
13	1257	c	A/R	3/4 Flat washer	x	x	x	x	x	x
14	2371	c	A/R	3/4 NC Lock nut	x	x	x	x	x	x
15	1014438	A/R	Point (CETB & Bobcat)	x	x	x	x	x	x	x
16	1017496	b/d	A/R	Tooth & shank asy, side pin optional	x	x	x			
17	8330	A/R	Bucket point cast	x	x	x				
18	RPH23	A/R	Pin	x	x	x				

- a). The LPSB, LPLB, HDLP, UT, HC Series buckets utilize a cutting edge with a double row of mounting holes. UTS & HCS Series buckets utilize a cutting edge with a single row of mounting holes
- b). Includes mounting hardware.
- c). Obtain locally.
- d). The LPSB, LPLB, HDLP, UT, HC Series buckets utilize a bolt-on cutting edge with 5/8 x 6" profile. The UTS & HCS Series buckets utilize a bolt-on cutting edge with a 5/8 x 8" profile.