

POST HOLE DIGGER 3-POINT MOUNTED

PD25.20

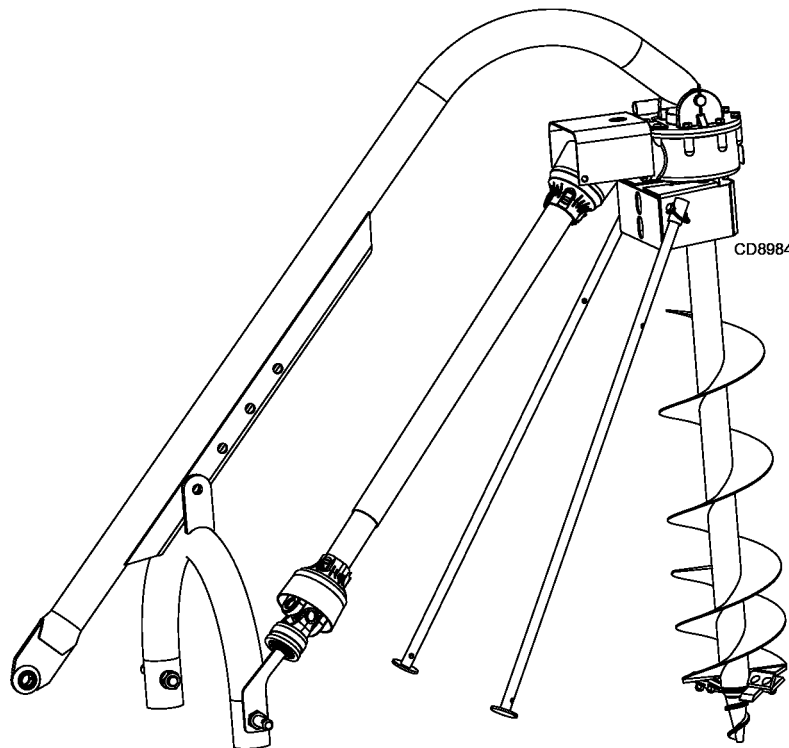
General purpose for 12-25 hp tractors with Limited Category 1 hitch

PD35.30

Standard-Duty for 20-35 hp tractors with Category 1 or Category 2 hitch

PD95.50

Heavy-Duty for 35-95 hp tractors with Category 1 or Category 2 hitch



MAN1300
(Rev. 8/3/2020)

WOODS®

OPERATOR'S MANUAL

TO THE DEALER:

Assembly and proper installation of this product is the responsibility of the Woods® dealer. Read manual instructions and safety rules. Make sure all items on the Dealer's Pre-Delivery and Delivery Check Lists in the Operator's Manual are completed before releasing equipment to the owner.

The dealer must complete the online Product Registration form at the Woods Dealer Website which certifies that all Dealer Check List items have been completed. Dealers can register all Woods product at dealer.WoodsEquipment.com under Product Registration.

Failure to register the product does not diminish customer's warranty rights.

TO THE OWNER:

Read this manual before operating your Woods equipment. The information presented will prepare you to do a better and safer job. Keep this manual handy for ready reference. Require all operators to read this manual carefully and become acquainted with all adjustment and operating procedures before attempting to operate. Replacement manuals can be obtained from your dealer. To locate your nearest dealer, check the Dealer Locator at www.WoodsEquipment.com, or in the United States and Canada call 1-800-319-6637.

The equipment you have purchased has been carefully engineered and manufactured to provide dependable and satisfactory use. Like all mechanical products, it will require cleaning and upkeep. Lubricate the unit as specified. Observe all safety information in this manual and safety decals on the equipment.

For service, your authorized Woods dealer has trained mechanics, genuine Woods service parts, and the necessary tools and equipment to handle all your needs.

Use only genuine Woods service parts. Substitute parts will void the warranty and may not meet standards required for safe and satisfactory operation. Record the model number and serial number of your equipment in the spaces provided:

Model: _____ **Date of Purchase:** _____

Serial Number: (see Safety Decal section for location) _____

Provide this information to your dealer to obtain correct repair parts.

Throughout this manual, the term **NOTICE** is used to indicate that failure to observe can cause damage to equipment. The terms **CAUTION**, **WARNING**, and **DANGER** are used in conjunction with the Safety-Alert Symbol (a triangle with an exclamation mark) to indicate the degree of hazard for items of personal safety.



This is the safety alert symbol. It is used to alert you to potential physical injury hazards. Obey all safety messages that follow this symbol to avoid possible injury or death.



Indicates a hazardous situation that, if not avoided, will result in death or serious injury.



Indicates a hazardous situation that, if not avoided, could result in death or serious injury.



Indicates a hazardous situation that, if not avoided, could result in minor or moderate injury.

**IMPORTANT
or NOTICE**

Is used to address practices not related to physical injury.

NOTE Indicates helpful information.

ALITEC™
CENTRAL FABRICATORS®
GANNON®
WAIN-ROY®
WOODS®

WOODS®
Woods Equipment Company

2 Introduction

Gen'l (Rev. 2/25/2016)

TABLE OF CONTENTS

INTRODUCTION	2
GENERAL INFORMATION	4
SPECIFICATIONS	4
ORDERING INFORMATION	4
SAFETY	5
SAFETY RULES	5
TRAINING	5
PREPARATION	5
OPERATION	5
MAINTENANCE	6
TRANSPORTATION	7
STORAGE	7
SAFETY & INSTRUCTIONAL DECALS	8
OPERATION	10
OPERATION	10
PREPARATION	10
PRE-OPERATION CHECKLIST	10
OPERATING TECHNIQUE	11
LODGED AUGER	12
SHEAR BOLT REPLACEMENT	12
TRANSPORT	13
REMOVE DIGGER FROM TRACTOR	13
OWNER SERVICE	15
OWNER SERVICE	15
ROUTINE MAINTENANCE	15
LUBRICATION INFORMATION	15
REPLACE CUTTING EDGE	16
CLEAN POST HOLE DIGGER	16
TROUBLESHOOTING	17
ASSEMBLY	19
ASSEMBLY	19
SET-UP INSTRUCTIONS	19
ATTACH A-FRAME AND BOOM TO TRACTOR	19
ATTACH GEARBOX TO BOOM	19
INSTALL DRIVELINE	20
ADJUST DRIVELINE LENGTH	20
ATTACH AUGER TO GEARBOX	21
FILL GEARBOX	22
INSTALL HANDLE	22
POST HOLE DIGGER ASSEMBLY & PARTS LIST	24
APPENDIX	26
BOLT TORQUE CHART	26
BOLT SIZE CHART & ABBREVIATIONS	27
REPAIR PARTS WARRANTY	28
PRODUCT WARRANTY	29



This Operator's Manual should be regarded as part of the machine. Suppliers of both new and second-hand machines must make sure that this manual is provided with the machine.

GENERAL INFORMATION

WARNING

■ Some illustrations in this manual show the digger with safety shields removed to provide a better view. The digger should never be operated with any safety shielding removed.

The purpose of this manual is to assist you in operating and maintaining your post hole digger. Read it carefully. It furnishes information and instructions that will help you achieve years of dependable performance. These instructions have been compiled from extensive field experience and engineer-

ing data. Some information may be general in nature due to unknown and varying operating conditions. However, through experience and these instructions, you should be able to develop procedures suitable to your particular situation.

The illustrations and data used in this manual were current at the time of printing but, due to possible inline production changes, your machine may vary slightly in detail. We reserve the right to redesign and change the machines as may be necessary without notification.

Throughout this manual, references are made to right and left direction. These are determined by standing behind the equipment facing the direction of forward travel.

SPECIFICATIONS

POST HOLE DIGGER MODEL	PD25.20	PD35.30	PD95.50
3-Point Hitch	CAT 1, Limited CAT 1	CAT1	CAT 1 or CAT 2
Tractor Horsepower	15 - 25 hp	20 - 35 hp	35 - 95 hp
Tractor PTO	540 RPM	540 RPM	540 RPM
Approximate Weight	177 lbs	178 lbs	245 lbs
Driveline protection	3/8 x 3 Grade 2 Shear Bolt	3/8 x 3 Grade 2 Shear Bolt	3/8 x 3 Grade 2 Shear Bolt
Auger Length	36 inches (recommended)	48 inches (recommended)	48 inches (recommended)
Auger Points	Cast Ductile Iron, Spiral Point, Replaceable		
Cutting Teeth	Alloy Steel, Hardened, Replaceable		
Gearbox	540 RPM, Roller and Ball Bearings, Cast Iron Housing		
Gearbox Lubrication	SAE 90 Weight Gear Lube		

ORDERING INFORMATION

PART NO.	DESCRIPTION
S24054600	6" x 36" auger with screw point and replaceable cutting edges
S24054700	9" x 36" auger with screw point and replaceable cutting edges
S24054400	12" x 36" auger with screw point and replaceable cutting edges
612862	6" x 48" auger with spiral point and replaceable carbide cutting edges
612864	9" x 48" auger with spiral point and replaceable carbide cutting edges
612865	12" x 48" auger with spiral point and replaceable carbide cutting edges
612866	18" x 48" auger with spiral point and replaceable carbide cutting edges
612867	24" x 48" auger with spiral point and replaceable carbide cutting edges

SAFETY RULES



ATTENTION! BECOME ALERT! YOUR SAFETY IS INVOLVED!



Safety is a primary concern in the design and manufacture of our products. Unfortunately, our efforts to provide safe equipment can be wiped out by an operator's single careless act.

In addition to the design and configuration of equipment, hazard control and accident prevention are dependent upon the awareness, concern, prudence, and proper training of personnel involved in the operation, transport, maintenance, and storage of equipment.

It has been said, "The best safety device is an informed, careful operator." We ask you to be that kind of operator.



¡LEA EL INSTRUCTIVO!

Si no lee Ingles, pida ayuda a alguien que si lo lee para que le traduzca las medidas de seguridad.

TRAINING

- Safety instructions are important! Read all attachment and power unit manuals; follow all safety rules and safety decal information. (Replacement manuals and safety decals are available from your dealer. To locate your nearest dealer, check the Dealer Locator at www.WoodsEquipment.com, or in the United States and Canada call 1-800-319-6637.) Failure to follow instructions or safety rules can result in serious injury or death.
- If you do not understand any part of this manual and need assistance, see your dealer.
- Know your controls and how to stop engine and attachment quickly in an emergency.
- Operators must be instructed in and be capable of the safe operation of the equipment, its attachments, and all controls. Do not allow anyone to operate this equipment without proper instructions.
- Keep hands and body away from pressurized lines. Use paper or cardboard, not hands or other body parts to check for leaks. Wear safety goggles. Hydraulic fluid under pressure can easily penetrate skin and will cause serious injury or death.
- Make sure that all operating and service personnel know that if hydraulic fluid penetrates skin, it must be surgically removed as soon as possible by

a doctor familiar with this form of injury or gangrene, serious injury, or death will result.

CONTACT A PHYSICIAN IMMEDIATELY IF FLUID ENTERS SKIN OR EYES. DO NOT DELAY.

- Never allow children or untrained persons to operate equipment.

PREPARATION

- Check that all hardware is properly installed. Always tighten to torque chart specifications unless instructed otherwise in this manual.
- Always wear relatively tight and belted clothing to avoid entanglement in moving parts. Wear sturdy, rough-soled work shoes and protective equipment for eyes, hair, hands, hearing, and head; and respirator or filter mask where appropriate.
- Make sure attachment is properly secured, adjusted, and in good operating condition.
- Make sure spring-activated locking pin or collar slides freely and is seated firmly in tractor PTO spline groove.

- Connect PTO driveline directly to power unit PTO shaft. Never use adapter sleeves or adapter shafts. Adapters can cause driveline failures due to incorrect spline or incorrect operating length and can result in personal injury or death.

- Power unit must be equipped with Roll Over Protection System (ROPS) or ROPS cab and seat belt. Keep seat belt securely fastened. Falling off power unit can result in death from being run over or crushed. Keep foldable ROPS system in "locked up" position at all times.

- Make sure all safety decals are installed. Replace if damaged. (See Safety Decals section for location.)

- Make sure shields and guards are properly installed and in good condition. Replace if damaged.

- Keep unit from swinging side-to-side by using stabilizer bars, adjustable sway chains, or sway blocks on tractor lift arms. Adjust tightly for best results.

OPERATION

- Do not allow bystanders in the area when operating, attaching, removing, assembling, or servicing equipment.

SAFETY RULES



ATTENTION! BECOME ALERT! YOUR SAFETY IS INVOLVED!



- Consult local utilities before digging. Know location and depth of all underground cables, pipelines, and other hazards in working area and avoid contact.
- Do not put digger into service unless auger point and all cutting edges are intact and in good repair.
- Do not put digger into service unless all shields and guards are in place and in good condition. Replace if damaged.
- Keep bystanders away from equipment.
- Do not operate or transport equipment while under the influence of alcohol or drugs.
- Operate only in daylight or good artificial light.
- Never aim auger point with hands on auger, gearbox, boom or driveline. To place auger point use 3-point arms and handle.
- Keep hands, feet, hair, and clothing away from equipment while engine is running. Stay clear of all moving parts.
- Always comply with all state and local lighting and marking requirements.
- Never allow riders on power unit or attachment.
- Power unit must be equipped with Roll Over Protection System (ROPS) or ROPS cab and seat belt. Keep seat belt securely fastened. Falling off power unit can result in death from being run over or crushed. Keep foldable ROPS system in “locked up” position at all times.
- Always sit in power unit seat when operating controls or starting engine. Securely fasten seat belt, place transmission in neutral, engage brake, and ensure all other controls are disengaged before starting power unit engine.
- When digging holes, always sit in operator seat.
- To reduce rapid U-joint wear and driveline failure, never lift auger over 12" from ground when PTO is running.
- Shift tractor transmission into park or neutral and set brakes before engaging PTO and digging.
- Keep digger under control by running PTO at slowest speed possible (no faster than half-throttle in 540 RPM range).
- Look down and to the rear and make sure area is clear before traveling in reverse.

- Use extreme care when working close to fences, ditches, other obstructions, or on hillsides.
- Do not operate or transport on steep slopes.
- When digging in rough ground or hilly terrain, place digger uphill from tractor. If digger is downhill, tractor could tip when pulling auger from hole.
- Do not stop, start, or change directions suddenly on slopes.
- Use extreme care and reduce ground speed on slopes and rough terrain.
- When dislodging a stuck auger, disengage PTO, stop engine, set parking brake, remove key, disconnect PTO from tractor, and turn auger backwards with a wrench. Remove and store wrench before starting engine.
- Before performing any service or maintenance, lower digger to ground or block securely, turn off tractor engine, remove key, and disconnect driveline from tractor PTO.
- Never leave a running machine unattended.
- Before leaving tractor seat, stop PTO, set brake, shut off engine, remove key, and let auger come to a full stop.

MAINTENANCE

- Before performing any service or maintenance, lower digger to ground or block securely, turn off tractor engine, remove key, and disconnect driveline from tractor PTO.
- Never go underneath equipment (lowered to the ground or raised) unless it is properly blocked and secured. Never place any part of the body underneath equipment or between moveable parts even when the engine has been turned off. Hydraulic system leak down, hydraulic system failures, mechanical failures, or movement of control levers can cause equipment to drop or rotate unexpectedly and cause severe injury or death.
- Service and maintenance work not covered in OWNER SERVICE must be done by a qualified dealership. Special skills, tools, and safety procedures may be required. Failure to follow these instructions can result in serious injury or death.
- When dislodging a stuck auger, disengage PTO, stop engine, set parking brake, remove key, disconnect PTO from tractor, and turn auger backwards with a wrench. Remove and store wrench before starting engine.



SAFETY RULES

ATTENTION! BECOME ALERT! YOUR SAFETY IS INVOLVED!



- Use a suitable lifting device of sufficient capacity. Use adequate personnel to handle heavy components.
- Do not modify or alter or permit anyone else to modify or alter the equipment or any of its components in any way.
- Never replace shear bolt or auger retaining bolt with a different length, or grade. Always use a SAE grade 2 bolt as a replacement.
- Always wear relatively tight and belted clothing to avoid getting caught in moving parts. Wear sturdy, rough-soled work shoes and protective equipment for eyes, hair, hands, hearing, and head; and respirator or filter mask where appropriate.
- Do not allow bystanders within 25 feet of the area when operating, attaching, removing, assembling, maintaining, or servicing equipment.
- Make sure attachment is properly secured, adjusted, and in good operating condition.
- Never perform service or maintenance with engine running.
- Keep all persons away from operator control area while performing adjustments, service, or maintenance.
- Tighten all bolts, nuts, and screws to torque chart specifications. Check that all cotter pins are installed securely to ensure equipment is in a safe condition before putting unit into service.
- Make sure all safety decals are installed. Replace if damaged. (See Safety Decals section for location.)
- Make sure shields and guards are properly installed and in good condition. Replace if damaged.
- When lubricating telescoping PTO drives, keep fingers out of shield access slots to prevent injury.
- Do not operate auxiliary hydraulics during transport.
- Look down and to the rear and make sure area is clear before traveling in reverse.
- Do not stop, start, or change directions suddenly on slopes.
- Use extreme care and reduce ground speed on slopes and rough terrain.
- Use additional caution and reduce speed when under adverse surface conditions, turning, or on inclines.
- Do not operate or transport on steep slopes.
- Do not operate or transport equipment while under the influence of alcohol or drugs.
- A minimum 20% of tractor and equipment weight must be on the tractor front wheels when attachments are in transport position. Without this weight, front tractor wheels could raise up resulting in loss of steering. The weight may be attained with front wheel weights, ballast in tires, front tractor weights or front loader. Weigh the tractor and equipment. Do not estimate.
- Raise unit as high as possible for transport.
- Reduce transport speed to avoid bouncing and brief loss of steering control.

STORAGE

- Block equipment securely for storage.
- Keep children and bystanders away from storage area.
- Do not climb or lean on equipment stored on stand.



TRANSPORTATION

- Always comply with all state and local lighting and marking requirements.
- Never allow riders on power unit or attachment.
- Power unit must be equipped with Roll Over Protection System (ROPS) or ROPS cab and seat belt. Keep seat belt securely fastened. Falling off power unit can result in death from being run over or crushed. Keep foldable ROPS system in “locked up” position at all times.
- Do not operate PTO during transport.



SAFETY & INSTRUCTIONAL DECALS



ATTENTION! BECOME ALERT! YOUR SAFETY IS INVOLVED!

Replace Immediately If Damaged!

BE CAREFUL!

Keep safety decals clean and visible. Use a clean, damp cloth to clean safety decals. Avoid spraying too close to decals when using a pressure washer; high-pressure water can enter through very small scratches or under edges of decals causing them to peel or come off. Replace decals if they are missing or illegible. Replacement safety decals can be ordered free from your Woods dealer, or in the United States and Canada call 1-800-319-6637.

⚠ DANGER

Rotating Parts Hazard
Keep Away
To Prevent Serious Injury
or Death from Rotating Parts:

Si no entiende ingles, se prefiere que busque a alguien que interprete las instrucciones para usted.

- Read and understand owner's manual before operating.
- Do not operate without all shields and guards in place.
- Do not use body weight or any body part to force the auger into the ground or to position the auger while it is turning.
- Keep away from auger, cutting head and driveline when engine is running.

S52020100

1 - PART NUMBER: S52020100

⚠ DANGER

ROTATING DRIVELINE CONTACT CAN CAUSE DEATH
KEEP AWAY!
DO NOT OPERATE WITHOUT -

- All driveline guards, tractor and equipment shields in place.
- Drivelines securely attached at both ends.
- Driveline guards that turn freely on driveline.

18864

11 - PART NUMBER: 18864

⚠ DANGER

TO PREVENT SERIOUS INJURY OR DEATH:
Si no entiende ingles, se prefiere que busque a alguien que interprete las instrucciones para usted.

- Read and understand owner's manual before operating.
- Operate only from the tractor seat.
- Stay away from rotating parts. Keep others away.
- Do not dig around underground utility lines without checking with authorities.


PHDC2

12 - PART NUMBER: S52020200

⚠ WARNING

DO NOT EXCEED PTO SPEED OF
540 RPM

Direction of Rotation



Tractor PTO master shield, PTO drive shaft guarding and PIC guards are to be kept in place. Do not remove guards. 617540

6 - PART NUMBER: 617540

⚠ DANGER

GUARD MISSING. DO NOT OPERATE.

⚠ DANGER

GUARD MISSING. DO NOT OPERATE.

33347

⚠ DANGER

10 - PART NUMBER: 33347

⚠ WARNING

- This digger may not be compatible with all tractor models.
- Before operating, mount the boom and A-frame to the tractor.
- Raise up and lower the 3-point lift arms to the max and min positions.
- Check that there is no tractor/boom interference at any position.
- If there is not interference, continue with the assembly of the digger.
- Failure to do so may result in damage to the tractor, digger, and/or personal injury.

52056400

8 - PART NUMBER: S52056400

⚠ DANGER
GUARD MISSING
DO NOT OPERATE - PUT GUARD ON

617538

3 - PART NUMBER: 617538



SAFETY & INSTRUCTIONAL DECALS

ATTENTION! BECOME ALERT! YOUR SAFETY IS INVOLVED!
Replace Immediately If Damaged!



⚠ DANGER

TO PREVENT SERIOUS INJURY OR DEATH:

- Contact dealer, make sure your machine has all current safety guards and shields in place.
- Do not operate without all guards and shields in place.
- Do not operate when auger is higher than 12 inches above ground level. Doing so may cause driveline to bind, resulting in equipment damage or operator injury.
- Stop auger rotation before maneuvering, relocating or transporting.
- Do not use PTO adapters.

S52020300

4 - PART NUMBER: S52020300

811

www.clickbeforeyoudig.com

1032572

10 - PART NUMBER: 1032572

CONSULT LOCAL UTILITIES BEFORE DIGGING

⚠ DANGER

Never use a Shear Bolt with different grade than specified or with more than 1/8" protruding from the nut. Keep spare Shear Bolts on hand. See Owner's Manual for bolt specifications and recommendations.

S52045600

9 - PART NUMBER: S52045600

⚠ DANGER

SHIELD MISSING

DO NOT OPERATE - PUT SHIELD ON

18869

PART NUMBER: 18869
 LOCATION: AUGER TUBE

Model #
 Serial #

(BAR CODE)

WOODS Woods Equipment Company
 Oregon, Illinois 61061 USA

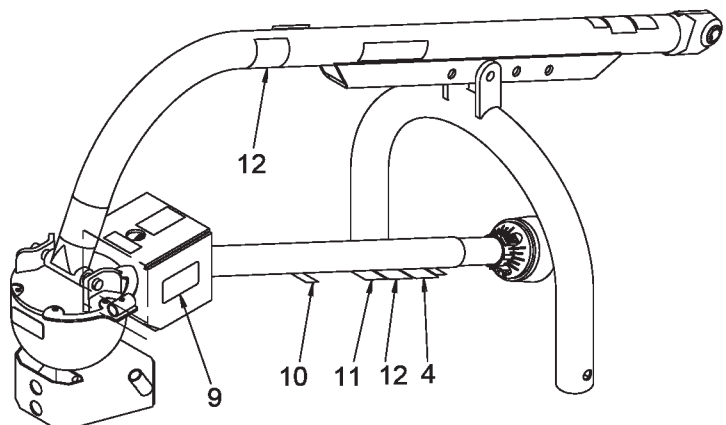
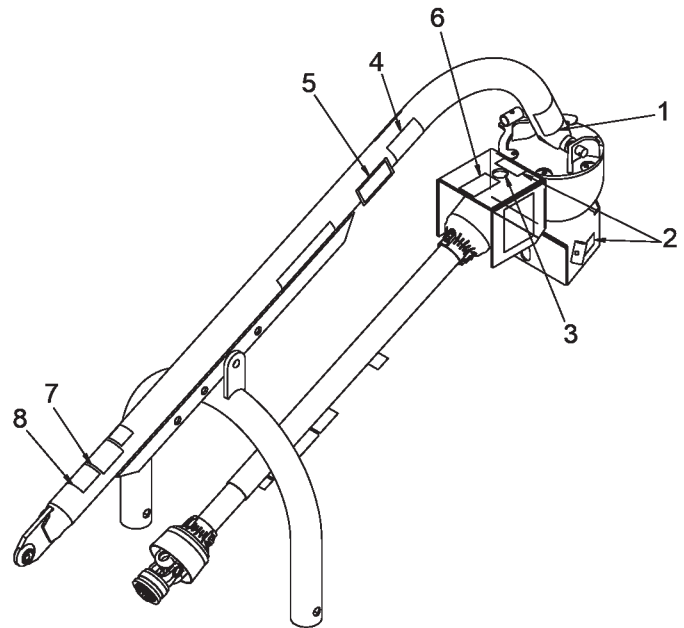
5 - PART NUMBER: 1033176

⚠ WARNING

SAFETY GUARD - DO NOT REMOVE

618529

2 - PART NUMBER: 618529



OPERATION

The post hole digger is intended to dig holes in soil free from rocks, tree roots, and other obstructions. It is designed to be mounted on an agricultural tractor 3-point hitch and powered by an agricultural tractor 540 RPM 6 spline PTO.

The post hole digger and its individual components are NOT to be used for anything other than their intended use. The operator is responsible for the safe operation of the equipment. The operator must be properly trained. Operators should be familiar with the equipment, the tractor, and all safety practices before starting operation. Read the **Safety Rules and Safety Decals on page 5 to page 9**, and complete the **Per-Operation Checklist on page 10**.

Post hole diggers are designed for one-man operation. You must always dig holes while sitting in the tractor seat. **It is the responsibility of the operator to see that no one else is within twenty-five feet (25') of the digger when it is operating.** Accidents have occurred when more than one person is in the immediate area of the operating equipment. Be sure no one else is near you when you operate this product.

DANGER

- Do not put digger into service unless all shields and guards are in place and in good condition. Replace if damaged.

WARNING

- Keep hands, feet, hair, and clothing away from equipment while engine is running. Stay clear of all moving parts.
- Do not put digger into service unless auger point and all cutting edges are intact and in good repair.
- Keep bystanders 25 feet away from equipment working area.

CAUTION

- Always wear relatively tight and belted clothing to avoid getting caught in moving parts. Wear sturdy, rough-soled work shoes and protective equipment for eyes, hair, hands, hearing, and head; and respirator or filter mask where appropriate.
- Tighten all bolts, nuts, and screws to torque chart specifications. Check that all cotter pins are installed securely to ensure equipment is in a safe condition before putting unit into service.

PREPARATION

WARNING

- Consult local utilities before working. Know location of all underground cables, pipelines, overhead wires, and other hazards in working area and avoid contact.

Thoroughly read and understand your Operator's Manuals.

Before beginning operation, clear area of objects that wrap around the auger or might be thrown.

Contact local utility company to make certain there are no buried gas lines, electrical cables, etc., in the work area.

Check for ditches, stumps, holes, or other obstacles that could cause the tractor to roll.

To dig properly, your digger must be able to raise or lower through the highest and lowest points of your lift arm travel without binding against the tractor frame. Check carefully BEFORE attaching the auger. If it does bind, adjust the tractor 3-pt. linkage so that all movement is free.

Use stabilizer bars, adjustable sway chains, or sway blocks on your tractor lift arms to keep the post hole digger from swaying side to side. Adjust as tightly as practical for best performance. Remove or place tractor drawbar in storage position.

IMPORTANT

- Post hole digger gearboxes are shipped without lubrication. Gearboxes must be serviced with 90W gear lube before operation.
- If PTO driveline interferes with swinging drawbar, swing drawbar out of the way or remove.

PRE-OPERATION CHECKLIST

- ___ Review and follow all safety rules and safety decal instructions on pages 5 through 9.
- ___ Check that all safety decals are installed and in good condition. Replace if damaged.
- ___ Check that all shields and guards are properly installed and in good condition. Replace if damaged.
- ___ Consult local utilities before digging. Know location of and avoid contacting all underground cables, pipelines, overhead wires and other hazards in digging area.
- ___ Check that auger point and all cutting edges are intact and in good repair.

- ___ Check that equipment is properly and securely attached to tractor.
- ___ Make sure driveline spring-activated locking pin slides freely and is seated firmly in tractor PTO spline groove or gearbox PTO spline groove.
- ___ Check all lubrication points and grease as instructed in "Service, lubrication information."
- ___ Lubricate all grease fitting locations. Make sure telescoping PTO shafts and universal joints are lubricated.
- ___ Make sure tractor 3-point lift links do not interfere with hydraulic hoses or driveline throughout full turning range.
- ___ Check that all hardware and cotter pins are properly installed and secured.
- ___ Check attitude adjustment of auger.
- ___ Check and keep all bystanders 25 ft away from equipment working area.
- ___ Before starting engine, operator must be in tractor seat with seat belt fastened. Place transmission in neutral or park, engage brake and disengage tractor PTO.

2. Set tractor brakes. Shift tractor into park or neutral before engaging PTO and digging. Always sit in the operator seat when digging holes.

CAUTION! Always sit in the operator's seat when digging holes.

3. Lower auger point slowly to the ground with PTO disengaged. The positioning handle is used to position the auger as the auger is lowered to the ground. The handle should be easily accessible while seated in tractor seat and operating the tractor 3-point lift arms. Adjust as necessary. With the auger point lowered to the ground, set the engine speed to idle, then engage the PTO. Refer to tractor manual for proper operation of the tractor PTO. Set tractor speed to 540 RPM. Refer to tractor manual for procedure to shut off tractor and PTO in case of emergency.

IMPORTANT: Under no circumstances should the PTO be run in excess of 540 RPM.

If the auger tilts too far forward or to the rear, it may be necessary to move the tractor slightly. Be careful not to bend the auger.

4. As the auger penetrates the ground, lower the unit slowly with the 3-point lift arms. Do not let the auger screw itself into the ground. Auger must dig with the dirt broken up and carried to the top by auger flighting.

OPERATING TECHNIQUE

⚠ WARNING

- Keep bystanders 25 feet away from equipment working area.
- Do not use body weight or any body part to force the auger into the ground or to position auger when auger is turning.
- Never aim auger point with hands on auger, gearbox, boom or driveline. To place auger point use 3-point arms and handle.
- Do not shovel dirt away from a running auger. The shovel could be caught and thrown by auger.

⚠ CAUTION

- Always sit in the operator's seat when digging holes.
1. Position the tractor so that the auger point is placed where the hole is to be dug. The point of the auger should be approximately 3" back of center of gearbox. As the auger works into the ground, this slight angle will straighten due to the pivoting action of the boom moving downward. If the auger has side tilt, turn off tractor and correct by adjusting lift arm on tractor hitch.

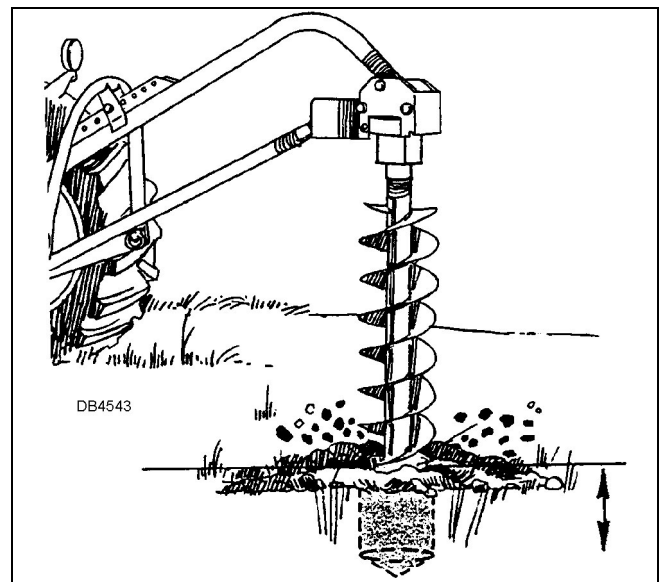


Figure 1. Operation

5. Dig the hole in small steps. Dig down several inches, then bring the auger up to let the soil clear. Repeat this procedure until the desired depth is reached. This allows better control of the auger and can prevent difficulties that could lead to an accident.

IMPORTANT

■ Be careful when raising the auger as high as your tractor's 3-point lift arms can go. This can put the PTO shaft universal joints at an extreme angle and cause damage to the PTO shaft! It is best to raise the auger just enough to clear the hole when the PTO is engaged.

■ It is recommended NOT to raise the auger more than six (6) inches above the ground while it is running. Once the hole is dug to the desired depth raise the auger while rotating to bring the dirt out of the hole.

To get a clean hole, it is sometimes best to lower the auger into the hole with the auger turning and then, when at the bottom, stop the rotation and raise the auger while not turning. This brings the dirt up with little left in the hole.

Disengage the PTO when traveling between holes.

In some types of soil it may be necessary to use the 3-point lift arms to prevent the auger from screwing itself into the ground.

When the ground is too tough to penetrate with your cutting edges and point, sharpen or replace them and try again. These are replaceable parts and must be in good condition to penetrate. (An optional Hydraulic Down Pressure Kit is available.)

If you have difficulty penetrating hard ground, refer to the Troubleshooting section in this manual for suggestions.

LODGED AUGER

WARNING

■ When dislodging a stuck auger, disengage PTO, stop engine, set parking brake, remove key, and disconnect PTO from tractor. Remove and store wrench before starting engine.

■ Removing a lodged auger can be dangerous work. Be careful.

■ Do not attempt to raise the auger while turning it with a wrench, or with a wrench attached to the auger. Injury may occur if the PTO is engaged or the 3-point lift arms suddenly raise the auger.

1. If the auger gets stuck in wet clay, stones or roots, disengage the PTO immediately and turn off the engine.

2. With tractor engine off and key removed, Disconnect the PTO driveline from the tractor.
3. Turn the auger backwards with a large pipe wrench until auger is free completely back out of the obstruction.
4. Remove and store wrench and all other tools used during this process.
5. Repeat steps in operating techniques to continue digging hole.

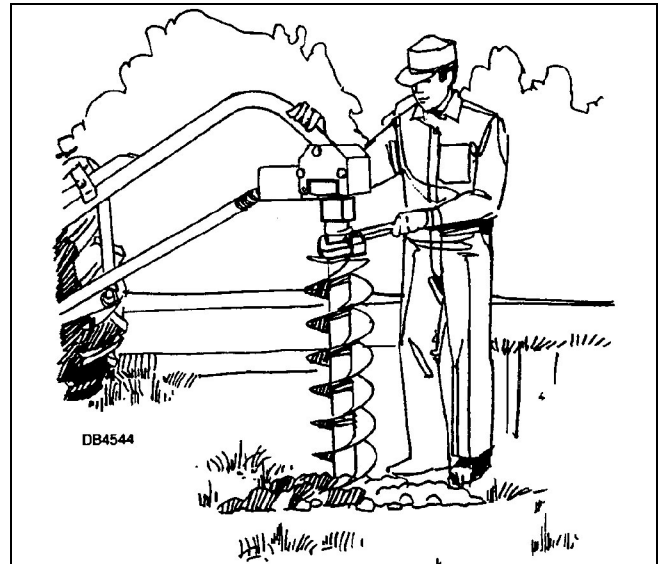


Figure 2. Dislodge Auger

SHEAR BOLT REPLACEMENT

WARNING

■ Never replace shear bolt or auger retaining bolt with a different length, or grade. Always use a SAE grade 2 bolt as a replacement.

Shear bolts are important for both safety and preventing damage to the digger. Their intended function is to break when too much force is applied.

Always replace shear bolts at the gearbox input with manufacturer's part or one of the same size, length and **SAE Grade 2** specification.

Hardened bolts or bolts that are too long can cause accidents resulting in injury or death.

The set screw, Figure 3, prevents the driveline from coming off gearbox shaft if the shear bolt should shear.

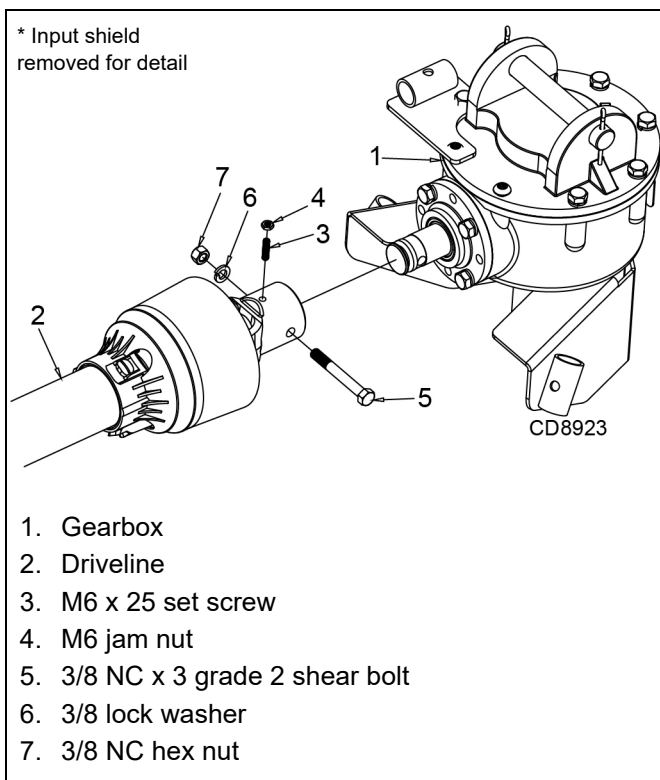


Figure 3. Shear Bolt Replacement

TRANSPORT

! WARNING

- Do not operate PTO during transport.
- Not intended to operate or travel on public roadways.
- Keep bystanders 25 feet away from equipment during transport.
- Do not transport with parking stands installed or in storage position.

The post hole digger auger is free-swinging, and care should be taken while transporting the machine.

Be sure auger is completely retracted from the hole before attempting to move the tractor.

DO NOT transport the post hole digger while the PTO is engaged as this could cause the universal joints of the PTO driveline into a sharp operating angle and cause failure of the driveline.

Pay particular close attention to the Safety Messages regarding transport. Avoid unnecessary injuries and equipment damage by exercising cautious, conscientious travel procedures.

Attaching the implement to the tractor increases the overall length of the working unit. Allow additional clearance for the implement to swing when turning.

Raise the implement as high as possible for transporting.

STORAGE

1. Drain and change the oil in your gearbox.
2. Check and replace, where necessary, blades, bolts, nuts on the machine.
3. Clean machine and touch up any rust spots that may have appeared.
4. Replace any safety decals if damaged, illegible, or painted over.
5. Make sure PTO driveline yoke and gearbox input shaft are clean and free of burrs. Keep well lubricated to prevent galling of yoke and input shaft when shear bolt becomes sheared.
6. Keep all shields in place. Order new shields if damaged or missing.
7. Keep cutting edges sharp. Sharp cutting edges dig easier and better. Outer cutting edges on larger augers wear faster than inner cutting edges; switching teeth will even wear.
8. Store implement in clean and dry location.

REMOVE DIGGER FROM TRACTOR

When off the tractor, post hole diggers can be an awkward piece of equipment to handle. Be careful not to pinch hands and fingers in the various hinge points of the digger.

Parking Stand Installation

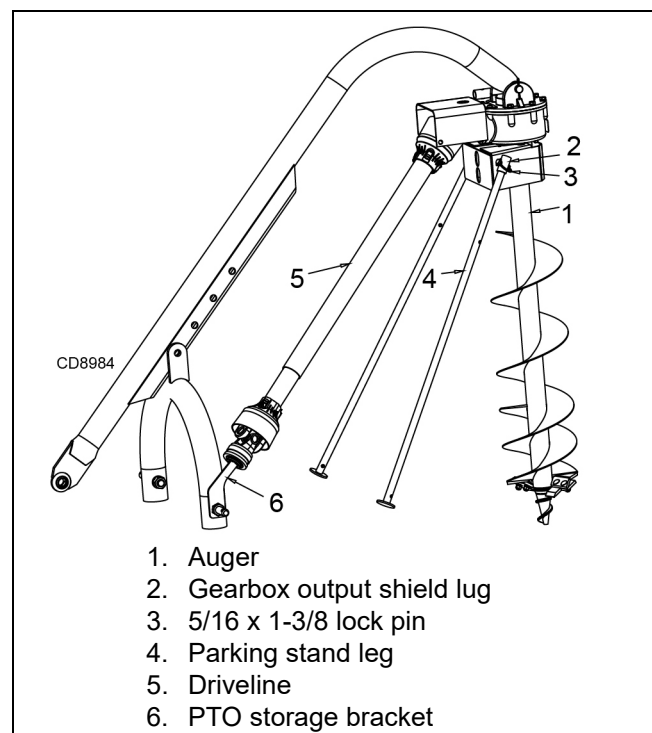


Figure 4. Parking Stand Installation

1. Raise the implement as high as possible.
2. Insert the two parking stand legs (4) into the lug (2) on the front of the gearbox output shield. Secure with two locking pins (3).
3. Lower digger until the two legs and the auger form a tripod. This will support the post hole digger in a vertical position.
4. Remove 3-point arms and driveline from the tractor.
5. Hang the PTO end of the driveline (5) over the PTO shaft shortage bracket (6) to help prevent dirt and debris from accumulating in the locking collar on the driveline PTO yoke.

Alternative Suggestions

If available, the digger can be hung from an overhead rafter or beam. Attach the chain or rope around the boom just ahead of the gearbox. This allows one man to easily reconnect the digger to the tractor when next use is required.

If storing outside, another idea is to dig a hole about 12-18 inches deep. Then shut the PTO off while the auger is in the hole. Set parking brake, turn off engine, and disconnect the digger from the tractor. The auger in the hole will keep the unit upright and make it possible for one person to disconnect or reconnect to the tractor. Doing this, will cause rusting of the auger, but it is easy for one person to handle the unit.



OWNER SERVICE

The information in this section is written for operators who possess basic mechanical skills. For your protection, read and follow all safety information in this manual.

WARNING

- Before performing any service or maintenance, lower digger to ground or block securely, turn off tractor engine, remove key, and disconnect drive-line from tractor PTO.
- NEVER GO UNDERNEATH EQUIPMENT. Never place any part of the body underneath equipment or between moveable parts even when the engine has been turned off. Hydraulic system leak-down, hydraulic system failures, mechanical failures, or movement of control levers can cause equipment to drop or rotate unexpectedly and cause severe injury or death.
 - Service work does not require going underneath implement.
 - Read Operator's Manual for service instructions or have service performed by a qualified dealer.
- Keep all persons away from operator control area while performing adjustments, service, or maintenance.
- Keep hands, feet, hair, and clothing away from equipment while engine is running. Stay clear of all moving parts.

CAUTION

- Always wear relatively tight and belted clothing to avoid getting caught in moving parts. Wear sturdy, rough-soled work shoes and protective equipment for eyes, hair, hands, hearing, and head; and respirator or filter mask where appropriate.

ROUTINE MAINTENANCE

1. Check that all bolts, nuts, and screws are tight. Checking the bolts and nuts on the cutting blades is particularly important in rocky soil.
2. Check gearbox oil level daily. Oil level can be checked by removing top sight plug on back of gearbox. Remove plug. If a small amount of oil is present and begins to run out of hole, replace plug. If oil is not present, remove top fill plug and add SAE 90W oil until oil starts to run out of sight plug hole. Check for gearbox oil leaks before each use. It is essential that the gearbox is kept correctly filled with gearbox oil.

NOTICE: No warranty claim can be submitted on a gearbox that has run dry.

3. Grease the PTO shaft daily.
4. Check the wear on the cutting blades. Sharpen them routinely with an angle grinder or replace when worn down too far. Keep at least two sets of cutting blades, bolts, and nuts as spares.

LUBRICATION INFORMATION

WARNING

- Failure to maintain proper lubrication can result in damage to U-joints, gearbox, tractor PTO and/or driveline which can cause serious injury or death.

CAUTION

- When lubricating telescoping PTO drives, keep fingers out of shield access slots to prevent injury.

The accompanying chart gives the frequency of lubrication in operating hours, based on normal conditions. Severe or unusual conditions may require more frequent lubrication.

Do not let excess grease collect on or around parts, particularly when operating in sandy areas.

Use an SAE 90W gear lube in gearbox.

Use a lithium grease of No. 2 consistency with a MOLY (molybdenum disulfide) additive for all locations. Be sure to clean fittings thoroughly before attaching grease gun. When applied according to the lubrication chart, one good pump of most guns is sufficient. Do not over grease.

LUBRICATION CHART

Ref. No.	Description	Frequency
1	Front U-Joint (Driveline)	8 Hours
2	Rear U-Joint (Driveline)	8 Hours
3	Telescoping member of driveline	8 Hours
4	Rear U-Joint to Input Shaft	Seasonally
5	Gearbox (Fill to proper level)	Check Daily
6	PTO Slip Joint	Daily

Daily lubrication of the PTO slip joint is necessary. Failure to maintain proper lubrication can result in damage to U-joints, gearbox, tractor PTO and/or driveline which can cause serious injury or death.

REPLACE CUTTING EDGE

Cutting edges and center points are replaceable. They should be sharpened or replaced when worn.

1. Remove carriage bolt (4), lock washer (5), and hex nut (6) holding cutting tooth to the auger.
2. Replace or sharpen cutting tooth. Cutting tooth can be sharpened using a steel file or grinder. Restore the cutting edge to an approximate 10 degree angle on both top and bottom side of tooth. Discard old cutting tooth and replace with new tooth when sharpening has ground the cutting edge into the recessed pockets on top of the cutting tooth.
3. Remove center point (1) by removing cap screw (3), lock washer (5), and hex nut (6).

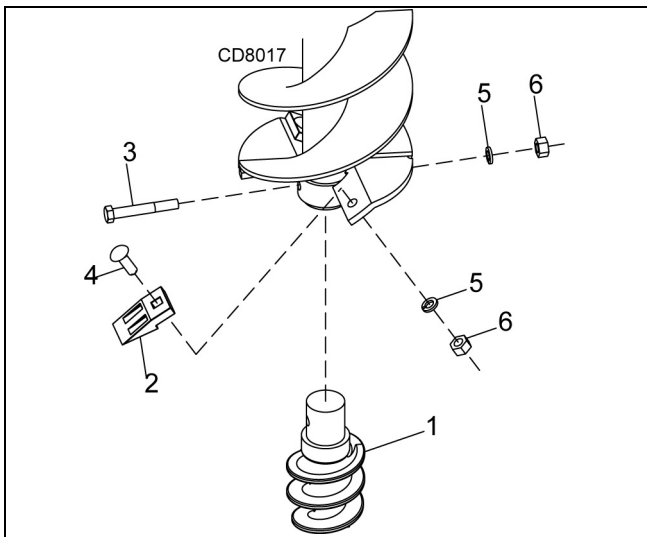


Figure 5. Cutting Tooth Replacement

CLEAN POST HOLE DIGGER

After Each Use

- Remove large debris such as clumps of dirt, grass, crop residue, etc. from machine.
- Inspect machine and replace worn or damaged parts.
- Replace any safety decals that are missing or not readable.

Periodically or Before Extended Storage

- Clean large debris such as clumps of dirt, grass, crop residue, etc. from machine.
- Remove the remainder using a low-pressure water spray.
 1. Be careful when spraying near scratched or torn safety decals or near edges of decals as water spray can peel decal off surface.
 2. Be careful when spraying near chipped or scratched paint as water spray can lift paint.
 3. If a pressure washer is used, follow the advice of the pressure washer manufacturer.
- Inspect machine and replace worn or damaged parts.
- Sand down scratches and the edges of areas of missing paint and coat with spray paint of matching color.
- Replace any safety decals that are missing or not readable. See Safety Decals section for location drawing.

TROUBLESHOOTING

PROBLEM	POSSIBLE CAUSES & SOLUTION
Auger will not dig	<p>Shear bolt sheared – install new shear bolt.</p> <p>Teeth dull – sharpen or replace.</p> <p>Ground too dry and hard – order optional down force kit, or wait until it rains.</p> <p>Auger turning too fast and bouncing – reduce speed.</p> <p>Tall grass has wrapped around auger teeth – remove grass.</p> <p>Auger encountering rocks, roots, or other obstruction – lift auger from hole and inspect.</p> <p>Auger teeth improperly positioned – see Parts section in this manual for proper tooth pattern.</p>
Post hole digger sways side to side	<p>No sway bars or sway blocks on tractor – add some.</p> <p>Lift arms not adjusted evenly – adjust lift arms.</p> <p>Post hole digger is mounted with excessive looseness in the hitch connecting points – use proper size pins or bushings.</p>
Bent auger fighting or bent auger	<p>Tractor moved while auger was turning in hole – always set brakes on tractor and make sure it is out of gear.</p> <p>Operator moved tractor with auger in hole to try and straighten a hole being dug at an angle.</p> <p>Auger is encountering rocks or roots or other foreign objects – remove object from hole or change location.</p> <p>Outer edge of auger fighting is bending due to contact with rocks or roots – use heavy-duty auger with thicker fighting.</p> <p>Shear bolt has been replaced with harder bolt – replace with Grade 2 bolt per instructions.</p>
Auger screws itself into the ground	<p>Operator did NOT ease 3-point hitch to ground slowly.</p> <p>Tractor 3-point does not have position control. Lift auger after advancing every 3" - 4".</p> <p>Faulty 3-point hitch hydraulic system on tractor.</p> <p>Draft control is not in OFF position.</p> <p>Tractor is too small to handle digger.</p>
Excessive vibration	<p>PTO driveline bearing cross is worn – replace.</p>
PTO driveline assembly comes off input shaft of gearbox when shear bolt is sheared	<p>Set screw missing in yoke at gearbox input shaft. Install set screw as per driveline installation instructions. THIS IS A DANGEROUS SAFETY HAZARD, CORRECT IMMEDIATELY!</p>
Auger digs so far, but will not dig deeper	<p>See solutions for above.</p> <p>PTO assembly “bottoms out,” not allowing digger to lower – remove auger from digger and lower digger. Gearbox should lower to the ground; if not, PTO driveline assembly may need to be shortened.</p>
	<p>PTO driveline interferes with swinging drawbar – swing drawbar out of the way or remove.</p> <p>Tractor hydraulic system may be faulty – consult tractor dealer.</p> <p>Soil could have hardpan layer 6"-10" below surface – use optional down force kit (see list of optional equipment).</p>

TROUBLESHOOTING

PROBLEM	POSSIBLE CAUSES & SOLUTION
PTO driveline failure	<p>Operator raising post hole digger too high above ground when PTO is engaged – causes excessive PTO joint operating angle.</p> <p>PTO is engaged while moving between holes. (Auger swings, which causes excessive PTO joint operating angle.)</p> <p>Improper use of a hard shear bolt – use Grade 2 bolt per instructions.</p> <p>Driveline has not been properly lubricated.</p> <p>Engaging tractor PTO with engine at high rpm.</p> <p>Digging holes too deep so that PTO driveline contacts ground.</p> <p>Operating at high rpm.</p> <p>Use of auger extension can require post hole digger to be lifted high, which can cause excessive PTO joint operating angle.</p>
PTO driveline “galls” or “friction welds” to input shaft of gearbox	<p>Tractor is a “low profile model” (one that is low to the ground). Due to the low height of the tractor, the digger must be raised higher to have the bottom of the auger clear the ground. Generally, low profile model tractors can only use 30" long augers (standard auger length is 42"). Use a different tractor or purchase 30" long augers.</p> <p>No lubrication on input shaft of gearbox to allow yoke of PTO driveline to turn freely on input shaft when shear bolt is sheared. Always keep input shaft greased.</p>
Gearbox failure	<p>No oil in gearbox.</p> <p>Oil not changed per instructions.</p> <p>Shear bolt has been replaced with a harder bolt – replace with Grade 2 per instructions.</p> <p>Bent output shaft is due to operator moving tractor when auger is in hole.</p>
Gearbox overheating	<p>Low on lubricant – fill to proper level.</p> <p>Improper type lubricant – replace with proper lubricant.</p>
Auger bolts shear on gearbox output shaft	<p>Shear bolt on input shaft has been replaced with a harder bolt – replace with Grade 2 bolt as per instructions.</p>
Tractor stalls	<p>Auger is encountering rocks or roots or other foreign object – remove object or change hole location.</p> <p>Tractor idle is not set correctly – tune tractor engine.</p>

ASSEMBLY INSTRUCTIONS

WARNING

- Keep hands, feet, hair, and clothing away from equipment while engine is running. Stay clear of all moving parts.
- Keep all persons away from operator control area while performing adjustments, service, or maintenance.
- The use of driveline adapters could cause serious injury or death. Do not use driveline adapters when attaching driveline to tractor under any circumstances.

CAUTION

- Always wear relatively tight and belted clothing to avoid getting caught in moving parts. Wear sturdy, rough-soled work shoes and protective equipment for eyes, hair, hands, hearing, and head; and respirator or filter mask where appropriate.
- Heavy Components: To avoid muscle strain or back injury, use lifting aids and proper lifting techniques.
- Failure to follow instructions in this manual can result in injury.

SET-UP INSTRUCTIONS

The digger is shipped partially assembled. Assembly will be easier if the components are aligned and loosely assembled before tightening hardware. Recommended torque values for hardware are located on page 26.

Select a suitable working area. Uncrate parts boxes and lay out parts and hardware to make location easy. Refer to illustrations, accompanying text, parts lists and exploded view drawings.

IMPORTANT

- Post hole digger gearboxes are shipped without lubrication. Gearboxes must be serviced with 90W gear lube before operation.

ATTACH A-FRAME AND BOOM TO TRACTOR

A tractor is required during assembly of post hole digger. A tractor will make part fit-up, part alignment, and part handling easier.

1. Connect lift arm pins (6), Figure 6, and hardware supplied with pins to the A-frame assembly (2). Mount PTO shaft storage bracket as shown on outside of A-Frame.

NOTE: On tractors with 3-point arm spacing of 32 inches, place mounting pins on the outside of the yoke assembly. On tractors with 3-point arm spacing of 26 inches or less, place mounting pins on the inside of the yoke assembly.

2. Connect A-frame assembly to the tractor 3-point arms.
3. Attach boom (1) to the tractor top link bracket.
4. Align A-frame assembly with the adjustment channel on the boom, starting with the second hole. Secure into position using boom adjustment pin (3) and lynch pin (5).

IMPORTANT

- With boom attached to tractor, raise boom by hand. Check clearance between boom and top link bracket. If interference exists, change hole location and recheck. Failure to check can result in damage to the tractor or boom.

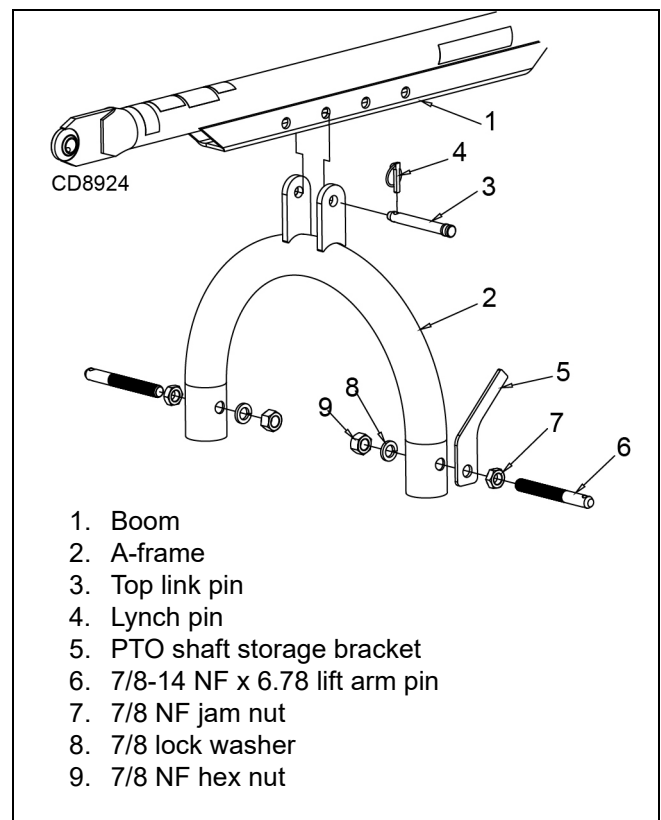


Figure 6. A-Frame to Boom Assembly

ATTACH GEARBOX TO BOOM

1. Place gearbox on level section of ground resting on output shaft shield.
2. Lower boom and align gearbox mount holes with boom mount hole.

- Secure gearbox to boom using the supplied pin (4) and cotter pins (3).

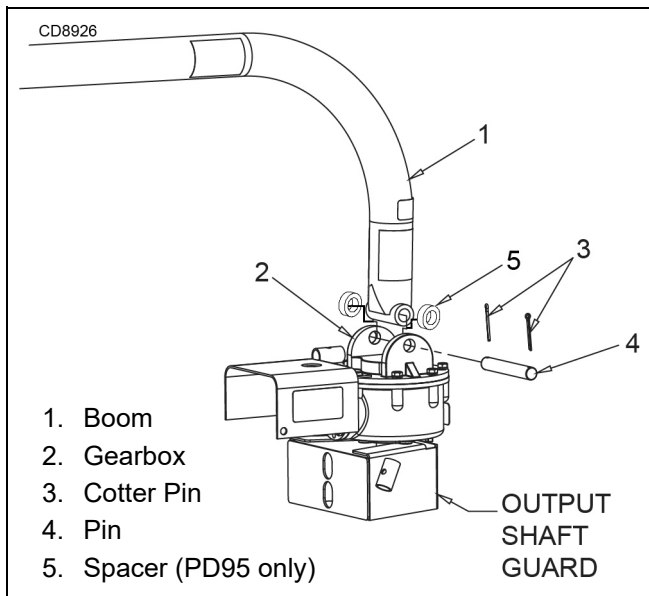


Figure 7. Gearbox to Boom Installation

INSTALL DRIVELINE

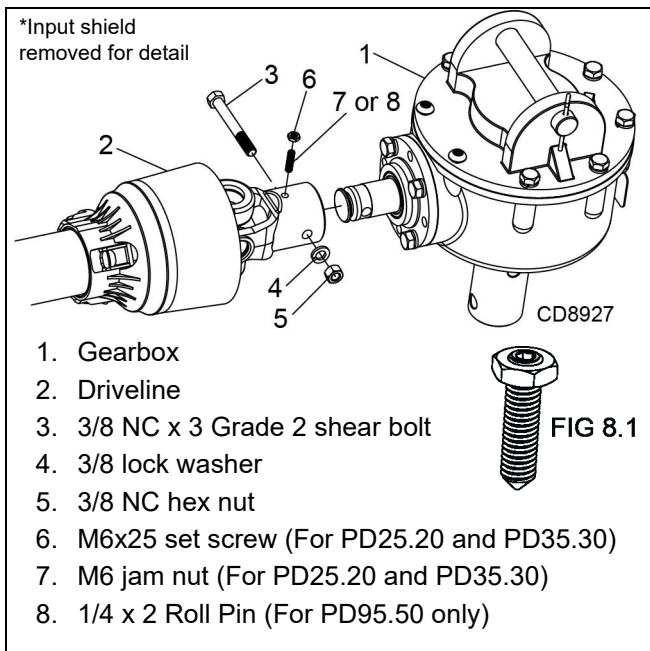


Figure 8. Driveline Installation

- Clean input shaft on gearbox and smooth bore of driveline yoke. Remove any foreign material or paint. Lightly file any nicks or dents.
- Grease the input shaft of the gearbox. This reduces the chance of the driveline galling the shaft if the shear bolt should fail.
- Slide driveline over input shaft and align cross holes. Insert shear bolt (3) to hold parts together.

- For PD25.20 and PD35.30, loosen the jam nut (6) so that it is flush with the top of the set screw (6, Fig 8.1). Tighten the set screw against the gearbox input shaft. Once tightened, loosen the set screw (6) a 1/4 turn. Continue to hold the set screw (6) in this position while tightening the jam nut (7). Remove shear bolt (3) from cross hole. Driveline yoke should spin freely on shaft.
 - For PD95.50, install the roll pin (8) into driveline yoke to secure driveline to gearbox shaft. Remove shear bolt (3) from cross hole. Driveline yoke should spin freely on shaft.
- IMPORTANT:** The set screw or roll pin prevents the driveline from coming off gearbox shaft if the shear bolt should shear.
- Secure drive line to input shaft with shear bolt (3), lock washer (4), and hex nut (5).

ADJUST DRIVELINE LENGTH

Check Driveline Movement

With driveline attached to gearbox and no auger attached to the gearbox, follow the steps below to ensure proper driveline length:

- If tractor has drawbar installed, see tractor owner's manual for instructions to remove tractor drawbar or place in storage position if available.
- Attach driveline to tractor PTO. Make sure spring-activated locking pin or collar slides freely and is seated firmly in tractor PTO spline groove.

WARNING! The use of driveline adapters could cause serious injury or death. Do not use driveline adapters when attaching driveline to tractor under any circumstances.

- On a flat, level surface, slowly raise and lower the post hole digger while closely watching the driveline to see if it separates, binds, or bottoms out. With the 3-point arms fully raised, measure driveline overlap and verify there is a minimum of 6" overlap of driveline telescoping members. See Figure 9.

WARNING! Serious injury or death can occur if driveline has less than 6 inches of overlap. Do not use the driveline if there are less than 6 inches of overlap. Contact your place of purchase for a longer driveline.

- Lower 3-point arms until gearbox output shaft or gearbox output guard contacts the ground. With the gearbox on the ground, measure the overlap of the driveline. Verify there is a minimum of 2" of travel left before the driveline will bottom out. See Figure 9.

IMPORTANT: If the driveline has less than 2 inches of travel left before it bottoms out, follow the **Shorten Driveline** procedure.

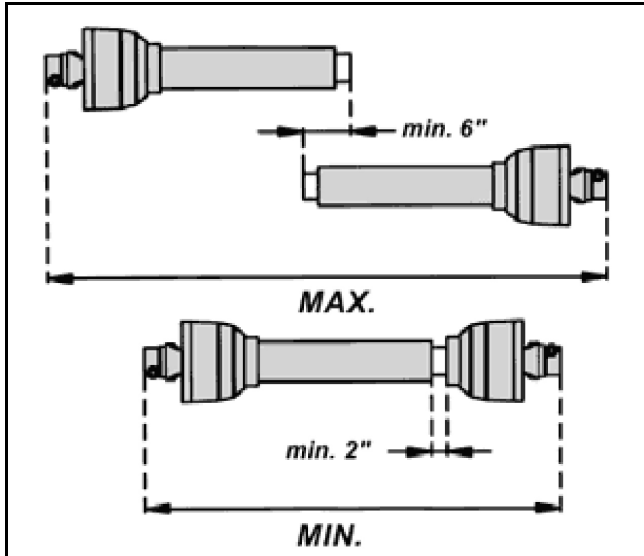


Figure 9. Example of Overlap

Shorten Driveline (If Required)

1. Remove driveline from gearbox shaft and tractor PTO.
2. Lower digger (with auger removed) until the input shaft of gearbox is in line with the PTO shaft of the tractor. This is the shortest distance required for the driveline.
3. Pull driveline apart. Connect driveline halves back to the gearbox and tractor PTO shaft.
4. Hold the two halves parallel to one another to determine how much the driveline must be shortened. Mark each end. See Figure 9.
5. Raise the digger to the transport position using the tractor 3-point arms.
6. Hold the two halves parallel to one another and check for a minimum of 6-inch (15 cm) overlap.

Cut Driveline

1. Place driveline half in a padded vise and cut shield off at the determined length.

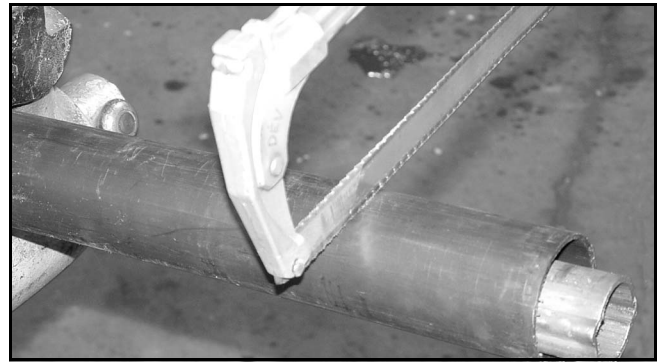


Figure 10. Cut Shield (Example)

2. Place the cutoff portion of the shield against the end of the shaft and use it as a guide. Mark and cut the shaft.



Figure 11. Cut Shaft to Length

3. Repeat steps for other drive half.
4. File and clean cut ends of the both drive halves.
5. Apply a multi-purpose grease to the outside of the male drive half. Slide the two drive halves together.
6. Connect driveline to gearbox and tractor PTO.

WARNING! Serious injury or death can occur if spring-activated locking pin or sliding collar does not move freely and is firmly seated in tractor PTO spline groove.

7. Make sure roll pin is installed in driveline yoke to secure driveline to gearbox input shaft.
8. Carefully raise and lower the digger to check that the driveline does not pull apart or bind through its range of motion.
9. Use stabilizer bars, adjustable sway chains, or sway blocks on your tractor lift arms to keep the post hole digger from swaying side to side. Adjust as tightly as practical for best performance.

ATTACH AUGER TO GEARBOX

WARNING

Assembly 21

■ **Never exceed the recommended auger capacity of the post hole digger. Use of an incorrect auger or auger extension can cause equipment damage, loss of operator control and personal injury. See specifications on page 4 for available auger capacities.**

1. Raise boom (1), allowing enough space to install auger.
2. Slide auger over gearbox output shaft and install 1/2 bolt (3), 1/2 lock washer (4), and 1/2 nut (5) in both hole locations. Tighten all hardware.

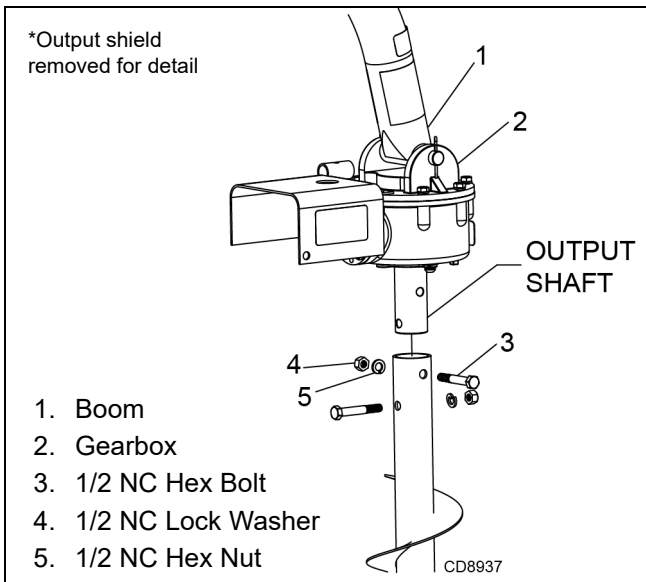


Figure 12. Auger to Gearbox Installation

FILL GEARBOX

IMPORTANT: Post hole digger gearbox is shipped without lubrication. Gearbox must be filled with SAE 90W gear lube before operation.

1. Level gearbox and remove top fill plug and top sight plug on back side of gearbox.
2. Fill gearbox with SAE 90W gear lube until oil runs out of sight hole.
3. Install both plugs.

INSTALL HANDLE

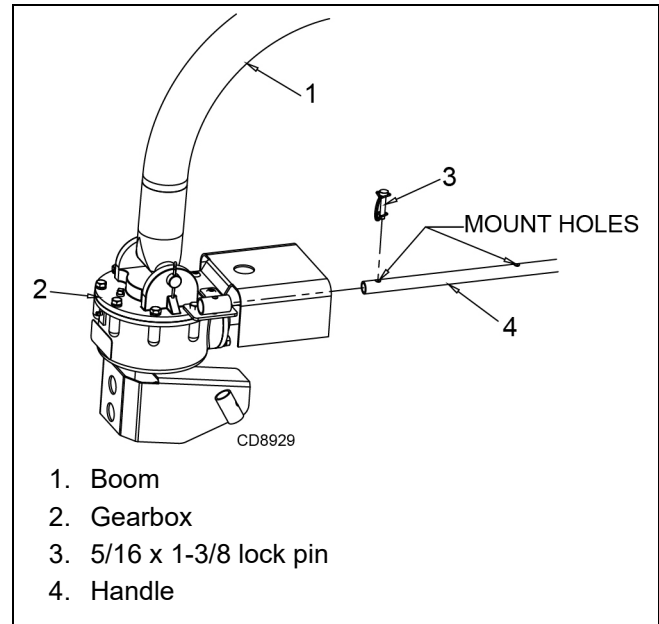
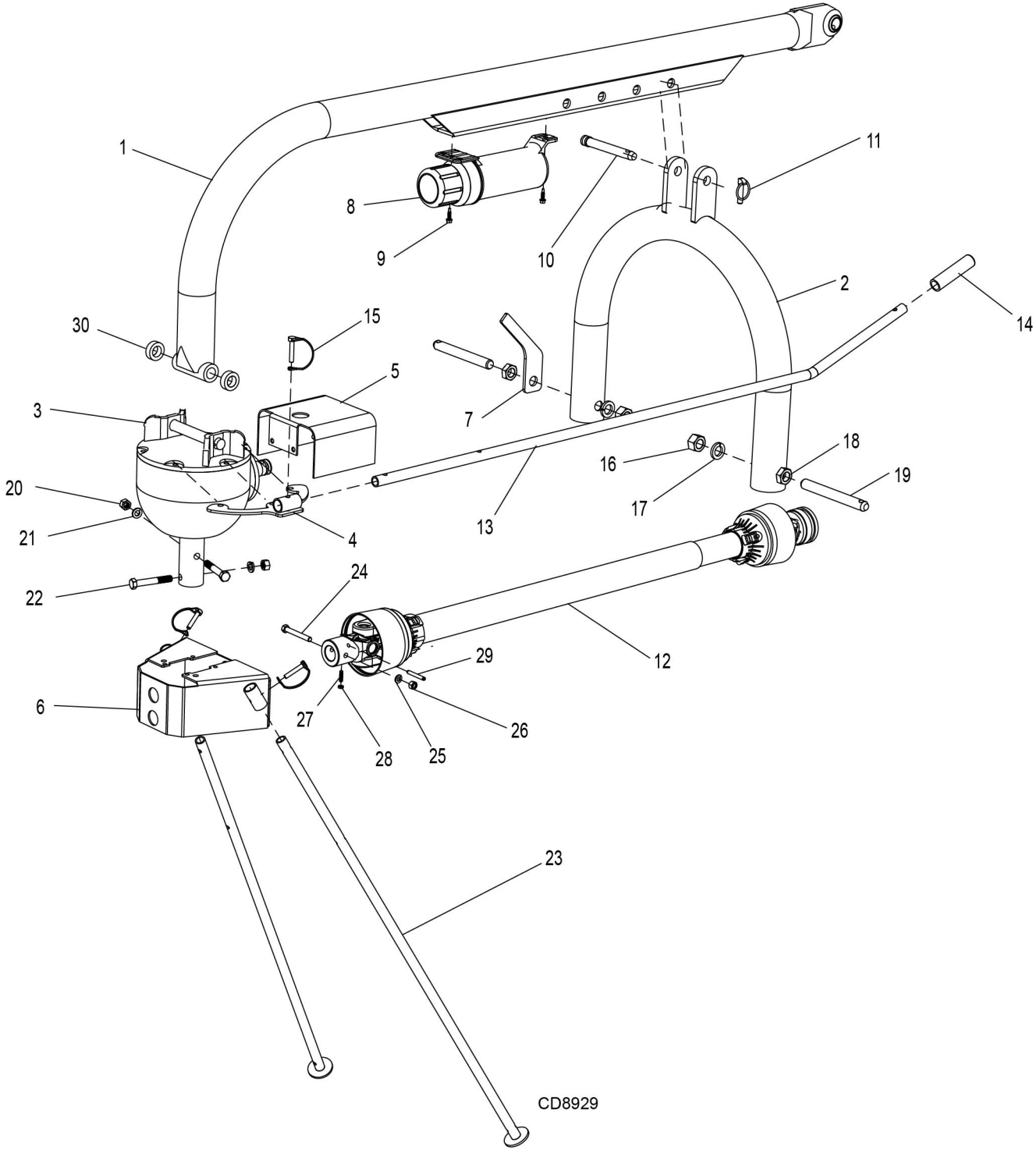


Figure 13. Handle Installed

1. The handle (4) has three holes that can be pinned at the gearbox: one on the short end and two on the long end. Use the hole that allows for safe clearance and access to the handle from the tractor seat.
2. Install supplied handle grip once the handle position has been determined.

NOTES

POST HOLE DIGGER ASSEMBLY



CD8929

POST HOLE DIGGER ASSEMBLY PARTS LIST

REF	PD25.20	PD35.30	PD95.90	QTY	DESCRIPTION
1	612881	612882	613361	1	BOOM
2	612762	612761	612761	1	A-FRAME
3	602415	602415	613031	1	GEAR BOX, COMPLETE (INCLUDES 3, 4, 5, 6)
4	602389	602389	613292	1	LUG BRACKET
5	S24075100	S24075100	S24075200	1	INPUT GUARD
6	613290	613290	613290	1	OUTPUT GUARD
7	602416	602416	602416	1	PTO STORAGE BRACKET
8	S24087600	S24087600	S24087600	1	MANUAL CANISTER
9A	N/A	N/A	585648*	2	1/4" x 1" SELF TAPPING SCREW (PD95)
9B	S17052600	S17052600	N/A	2	5/16 NC x 1 GR5 HCS
9C	78173	78173	N/A	2	5/16 NC LOCK NUT
10	S07071500	S07071500	S07071500	1	3/4" TOP LINK PIN
11	S07090100	S07090100	S07090100	1	7/16" LYNCH PIN
12	S24116000	S24117000	613028	1	DRIVE LINE, LARGE, SLIDE COLLAR
13	602386	602386	602386	1	HANDLE, PHD
14	75393	75393	75393	1	GRIP
15	S07095400	S07095400	S07095400	3	LOCK PIN, 5/16" X 1-3/8"
16	30007*	30007*	30007*	2	7/8" NF HEX NUT
17	30008*	30008*	30008*	2	7/8" LOCK WASHER
18	37009*	37009*	37009*	2	7/8" NF JAM NUT
19	1009383A	1009383A	1009383A	2	PIN, LIFT ARM, 7/8" x 6.78
20	S17010500*	S17010500*	S17010500*	2	1/2" NC HEX NUT
21	S17030300*	S17030300*	S17030300*	2	1/2" LOCK WASHER
22	S17056600*	S17056600*	S17056600*	2	1/2 NC x 3-1/4 HEX BOLT, GRADE 5
23	613976	613976	613976	2	LEG KIT WITH DECAL
24	1036156*	1036156*	1036156*	1	3/8" NC x 3" SHEAR BOLT, GRADE 2
25	S17030100*	S17030100*	S17030100*	1	3/8" LOCK WASHER
26	S17010100*	S17010100*	S17010100*	1	3/8" HEX NUT
27	612141*	612141*	N/A	1	M6 x 25mm SET SCREW
28	612140*	612140*	N/A	1	M6 JAM NUT
29	N/A	N/A	21022	1	1/4 x 2 Roll Pin
30	N/A	N/A	613848	2	SPACER

* OBTAIN LOCALLY

BOLT TORQUE CHART

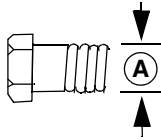
Always tighten hardware to these values unless a different torque value or tightening procedure is listed for a specific application.

Fasteners must always be replaced with the same grade as specified in the manual parts list.

Always use the proper tool for tightening hardware: SAE for SAE hardware and Metric for metric hardware.

Make sure fastener threads are clean and you start thread engagement properly.

All torque values are given to specifications used on hardware defined by SAE J1701 MAR 99 & J1701M JUL 96.



SAE SERIES TORQUE CHART



SAE Grade 2
(No Dashes)

SAE Bolt Head
Identification

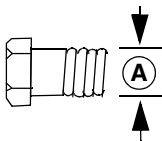


SAE Grade 5
(3 Radial Dashes)



SAE Grade 8
(6 Radial Dashes)

Ⓐ Diameter (Inches)	Wrench Size	MARKING ON HEAD					
		SAE 2		SAE 5		SAE 8	
		lbs-ft	N-m	lbs-ft	N-m	lbs-ft	N-m
1/4"	7/16"	6	8	10	13	14	18
5/16"	1/2"	12	17	19	26	27	37
3/8"	9/16"	23	31	35	47	49	67
7/16"	5/8"	36	48	55	75	78	106
1/2"	3/4"	55	75	85	115	120	163
9/16"	13/16"	78	106	121	164	171	232
5/8"	15/16"	110	149	170	230	240	325
3/4"	1-1/8"	192	261	297	403	420	569
7/8"	1-5/16"	306	416	474	642	669	907
1"	1-1/2"	467	634	722	979	1020	1383



METRIC SERIES TORQUE CHART



Metric
Grade 8.8

Metric Bolt Head
Identification



Metric
Grade 10.9

Ⓐ Diameter & Thread Pitch (Millimeters)	Wrench Size	COARSE THREAD				FINE THREAD				Ⓐ Diameter & Thread Pitch (Millimeters)
		MARKING ON HEAD				MARKING ON HEAD				
		Metric 8.8		Metric 10.9		Metric 8.8		Metric 10.9		
		N-m	lbs-ft	N-m	lbs-ft	N-m	lbs-ft	N-m	lbs-ft	
6 x 1.0	10 mm	8	6	11	8	8	6	11	8	6 x 1.0
8 x 1.25	13 mm	20	15	27	20	21	16	29	22	8 x 1.0
10 x 1.5	16 mm	39	29	54	40	41	30	57	42	10 x 1.25
12 x 1.75	18 mm	68	50	94	70	75	55	103	76	12 x 1.25
14 x 2.0	21 mm	109	80	151	111	118	87	163	120	14 x 1.5
16 x 2.0	24 mm	169	125	234	173	181	133	250	184	16 x 1.5
18 x 2.5	27 mm	234	172	323	239	263	194	363	268	18 x 1.5
20 x 2.5	30 mm	330	244	457	337	367	270	507	374	20 x 1.5
22 x 2.5	34 mm	451	332	623	460	495	365	684	505	22 x 1.5
24 x 3.0	36 mm	571	421	790	583	623	459	861	635	24 x 2.0
30 x 3.0	46 mm	1175	867	1626	1199	1258	928	1740	1283	30 x 2.0

Typical Washer Installations

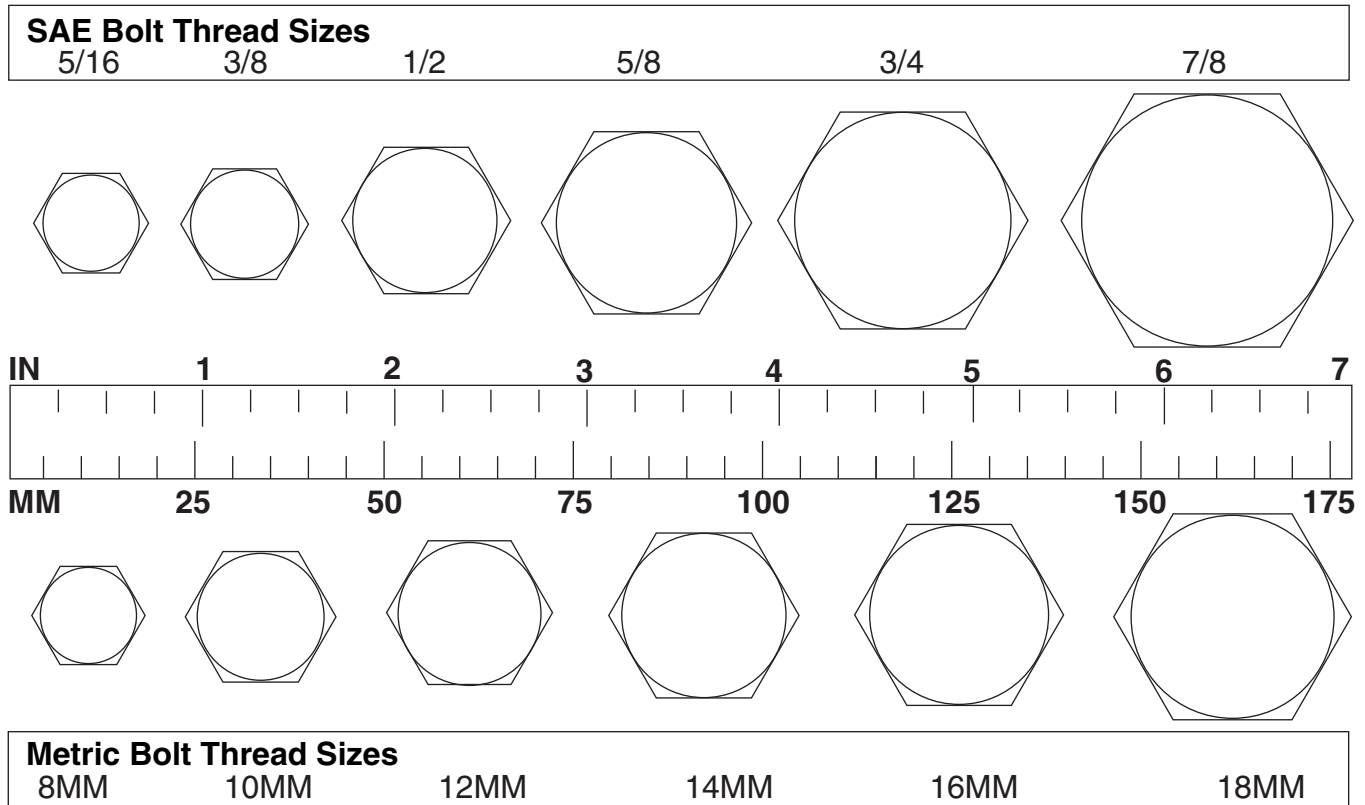
Lock Washer Flat Washer

Bolt

8/9/00

BOLT SIZE CHART

NOTE: Chart shows bolt thread sizes and corresponding head (wrench) sizes for standard SAE and metric bolts.



ABBREVIATIONS

AG.....Agriculture	NC.....National Coarse
ATF.....Automatic Transmission Fluid	NF.....National Fine
BSPP.....British Standard Pipe Parallel	NPSM.....National Pipe Straight Mechanical
BSPTM.....British Standard Pipe Tapered Male	NPT.....National Pipe Tapered
CV.....Constant Velocity	NPT SWF.....National Pipe Tapered Swivel Female
CCW.....Counter-Clockwise	ORBM.....O-Ring Boss - Male
CW.....Clockwise	P.....Pitch
F.....Female	PBY.....Power-Beyond
GA.....Gauge	psi.....Pounds per Square Inch
GR (5, etc.).....Grade (5, etc.)	PTO.....Power Take Off
HHCS.....Hex Head Cap Screw	QD.....Quick Disconnect
HT.....Heat-Treated	RH.....Right Hand
JIC.....Joint Industry Council 37° Degree Flare	ROPS.....Roll-Over Protective Structure
LH.....Left Hand	RPM.....Revolutions Per Minute
LT.....Left	RT.....Right
m.....Meter	SAE.....Society of Automotive Engineers
mm.....Millimeter	UNC.....Unified Coarse
M.....Male	UNF.....Unified Fine
MPa.....Mega Pascal	UNS.....Unified Special
N.....Newton	



WARRANTY

(Replacement Parts For All Models Except Zero-Turn Mowers)

Woods Equipment Company (“WOODS”) warrants this product to be free from defect in material and workmanship for a period of ninety (90) days from the date of delivery of the product to the original purchaser with the exception of V-belts, which will be free of defect in material and workmanship for a period of 12 months.

Under no circumstances will this Warranty apply in the event that the product, in the good faith opinion of WOODS, has been subjected to improper operation, improper maintenance, misuse, or an accident. This Warranty does not cover normal wear or tear, or normal maintenance items.

This Warranty is extended solely to the original purchaser of the product. Should the original purchaser sell or otherwise transfer this product to a third party, this Warranty does not transfer to the third party purchaser in any way. There are no third party beneficiaries of this Warranty.

WOODS’ obligation under this Warranty is limited to, at WOODS’ option, the repair or replacement, free of charge, of the product if WOODS, in its sole discretion, deems it to be defective or in noncompliance with this Warranty. **The product must be returned to WOODS with proof of purchase within thirty (30) days after such defect or noncompliance is discovered or should have been discovered, routed through the dealer and distributor from whom the purchase was made, transportation charges prepaid.** WOODS shall complete such repair or replacement within a reasonable time after WOODS receives the product. THERE ARE NO OTHER REMEDIES UNDER THIS WARRANTY. THE REMEDY OF REPAIR OR REPLACEMENT IS THE SOLE AND EXCLUSIVE REMEDY UNDER THIS WARRANTY.

THERE ARE NO WARRANTIES WHICH EXTEND BEYOND THE DESCRIPTION ON THE FACE OF THIS WARRANTY. WOODS MAKES NO OTHER WARRANTY, EXPRESS OR IMPLIED, AND WOODS SPECIFICALLY DISCLAIMS ANY IMPLIED WARRANTY OF MERCHANTABILITY AND/OR ANY IMPLIED WARRANTY OF FITNESS FOR A PARTICULAR PURPOSE.

WOODS shall not be liable for any incidental or consequential losses, damages or expenses, arising directly or indirectly from the product, whether such claim is based upon breach of contract, breach of warranty, negligence, strict liability in tort or any other legal theory. Without limiting the generality of the foregoing, Woods specifically disclaims any damages relating to (i) lost profits, business, revenues or goodwill; (ii) loss of crops; (iii) loss because of delay in harvesting; (iv) any expense or loss incurred for labor, supplies, substitute machinery or rental; or (v) any other type of damage to property or economic loss.

This Warranty is subject to any existing conditions of supply which may directly affect WOODS’ ability to obtain materials or manufacture replacement parts.

No agent, representative, dealer, distributor, service person, salesperson, or employee of any company, including without limitation, WOODS, its authorized dealers, distributors, and service centers, is authorized to alter, modify, or enlarge this Warranty.

Answers to any questions regarding warranty service and locations may be obtained by contacting:

ALITEC™
CENTRAL FABRICATORS®
GANNON®
WAIN-ROY®
WOODS®



WOODS® | A Blount International Brand
2606 South Illinois Route 2
Post Office Box 1000
Oregon, Illinois 61061 USA
800-319-6637 tel
800-399-6637 fax
woodsequipment.com

WARRANTY

All Models Except Zero-Turn Mowers

Please Enter Information Below and Save for Future Reference.

Date Purchased: _____ From (Dealer): _____

Model Number: _____ Serial Number: _____

Woods Equipment Company ("WOODS") warrants this product to be free from defect in material and workmanship. Except as otherwise set forth below, the duration of this Warranty shall be for TWELVE (12) MONTHS COMMENCING ON THE DATE OF DELIVERY OF THE PRODUCT TO THE ORIGINAL PURCHASER.

All current model backhoes, loaders and mounts (except 3-pt. SAF-T-LOK® mounts) are warranted for two (2) years from the date of delivery to the original purchaser. The limited warranty covers any defects in the material and/or workmanship. Following the proper, recommended installation by an authorized Woods Dealer and normal use of a Woods mounting and backhoe or loader, if a tractor incurs damage resulting from the attachment, Woods will cover the existing tractor warranty in the event the manufacturer voids its tractor warranty because of the attachment. Warranty does not cover any misuse or abusive conditions that could cause premature wear or damage to attachment or tractor.

The warranty periods for specific parts or conditions are listed below:

Part or Condition Warranted	Model Number	Duration (from date of delivery to the original purchaser)
	All units invoiced after 4/30/2012	
Gearbox components	BB48.30, BB60.30, BB72.30, BB84.40, BB60.50, BB72.50, BB60.60, BB72.60, BB84.60, BB84.50, DS8.30, DS10.40, DS8.50, DSO8.50, DS10.50, DSO10.50, DBH5.31, DBH6.31	6 years
	BW12, BW10.50, BW10.50Q, BW15.50, BW15.50Q, BW10.60, BW10.60Q, BW13.70, BW13.70Q, BW13.70QREV, BW15.60, BW15.60Q, BW10.70, BW10.70Q, BW15.70, BW15.70Q, BW20.50, BW20.50Q, BW20.60, BW20.60Q, BW20.70, BW20.70Q, BW20.51, BW20.51Q, BW20.61, BW20.61Q, BW20.71, BW20.71Q, BW13.71, BW13.71Q, BW13.71QREV	
	BW240X, BW240XHD, BW1620X, BW2400X	
	RD990X, PRD6000, PRD7200, PRD8400, S15CD, S20CD, S22CD, S25CD, S27CD, S30CD, TC/R74, TC/R68, TC/R60, TBW144, TBW180, TBW204, TSG50, S12ED, S15ED, S18ED, S20ED, TPD25, TPD35, TPD65, TPD95, PD25.20, PD35.30, PD95.50	3 years (1 year if used in rental or commercial applications)
FM60.20, FM72.20, TBW150C, RT/R42.30, RT/R48.30, RT/R60.40, RT/R72.40, RC3.5, RC4, RC5, RC6, RC42.20, RC48.20, RC60.20, RC72.20		
Blade spindles	RD54, RD60, RD72, RD990X, PRD6000, PRD7200, PRD8400, TBW144, TBW180, TBW204	3 years

Under no circumstances will this Warranty apply in the event that the product, in the good faith opinion of WOODS, has been subjected to improper operation, improper maintenance, misuse, or an accident. This Warranty does not apply in the event that the product has been materially modified or repaired by someone other than WOODS, a WOODS authorized dealer or distributor, and/or a WOODS authorized service center. This Warranty does not cover normal wear or tear, or normal maintenance items. This Warranty also does not cover repairs made with parts other than those obtainable through WOODS.

This Warranty is extended solely to the original purchaser of the product. Should the original purchaser sell or otherwise transfer this product to a third party, this Warranty does not transfer to the third party purchaser in any way. There are no third party beneficiaries of this Warranty.

WOODS makes no warranty, express or implied, with respect to engines, batteries, tires or other parts or accessories not manufactured by WOODS. Warranties for these items, if any, are provided separately by their respective manufacturers.

WOODS' obligation under this Warranty is limited to, at WOODS' option, the repair or replacement, free of charge, of the product if WOODS, in its sole discretion, deems it to be defective or in noncompliance with this Warranty. **The product must be returned to WOODS with proof of purchase within thirty (30) days after such defect or noncompliance is discovered or should have been discovered, routed through the dealer and distributor from whom the purchase was made, transportation charges prepaid.** WOODS shall complete such repair or replacement within a reasonable time after WOODS receives the product. **THERE ARE NO OTHER REMEDIES UNDER THIS WARRANTY. THE REMEDY OF REPAIR OR REPLACEMENT IS THE SOLE AND EXCLUSIVE REMEDY UNDER THIS WARRANTY.**

THERE ARE NO WARRANTIES WHICH EXTEND BEYOND THE DESCRIPTION ON THE FACE OF THIS WARRANTY. WOODS MAKES NO OTHER WARRANTY, EXPRESS OR IMPLIED, AND WOODS SPECIFICALLY DISCLAIMS ANY IMPLIED WARRANTY OF MERCHANTABILITY AND/OR ANY IMPLIED WARRANTY OF FITNESS FOR A PARTICULAR PURPOSE.

WOODS shall not be liable for any incidental or consequential losses, damages or expenses, arising directly or indirectly from the product, whether such claim is based upon breach of contract, breach of warranty, negligence, strict liability in tort or any other legal theory. Without limiting the generality of the foregoing, Woods specifically disclaims any damages relating to (i) lost profits, business, revenues or goodwill; (ii) loss of crops; (iii) loss because of delay in harvesting; (iv) any expense or loss incurred for labor, supplies, substitute machinery or rental; or (v) any other type of damage to property or economic loss.

This Warranty is subject to any existing conditions of supply which may directly affect WOODS' ability to obtain materials or manufacture replacement parts.

No agent, representative, dealer, distributor, serviceperson, salesperson, or employee of any company, including without limitation, WOODS, its authorized dealers, distributors, and service centers, is authorized to alter, modify, or enlarge this Warranty. Answers to any questions regarding warranty service and locations may be obtained by contacting:

WOODS® | A Blount International Brand

2606 South Illinois Route 2
Post Office Box 1000
Oregon, Illinois 61061 USA

800-319-6637 tel
800-399-6637 fax
woodsequipment.com



ALITEC™
CENTRAL FABRICATORS®
GANNON®
WAIN-ROY®
WOODS®

PART NO.
MAN1300

WOODS® | A Blount International Brand

2606 South Illinois Route 2
Post Office Box 1000
Oregon, Illinois 61061 USA

800-319-6637 tel
800-399-6637 fax
woodsequipment.com

WOODS®

© 2020 Woods Equipment Company. All rights reserved. Woods® and the Woods logo are trademarks of Woods Equipment Company. All other trademarks, trade names, or service marks not owned by Woods Equipment Company that appear in this manual are the property of their respective companies or mark holders. Specifications subject to change without notice.