

SPECIFICATIONS

HR25T-9, HR26T-9, HR30T-9

Tandem Drum

Engine	HR25T	HR26T	HR30T
Model	Deutz D 2011 L2i	Deutz D 2011 L2i	Deutz D 2011 L2i
Output	23 Kw / 31 HP	23 Kw / 31 HP	23 Kw / 31 HP
Emissions	Tier 4 Interim	Tier 4 Interim	Tier 4 Interim

Weight	Unit	HR25T	HR26T	HR30T
Operating weight CECE	kg (lb)	2,700 (5,952)	2,900 (6,393)	3,000 (6,614)
Average axle load CECE	kg (lb)	1,350 (2,976)	1,450 (3,197)	1,500 (3,307)

Compaction Performance

Average linear drumload	kg/cm	13.50	12.08	12.00
Amplitude	mm	0.5	0.5	0.5
Frequency I/II	Hz	53 / 61	53 / 61	52 / 58
Centrifugal force at frequency I/II	kN	21.5 / 28	25 / 34	29 / 37

Drums

Drum Width	mm (in)	1,000 (39)	1,200 (47)	1,250 (49)
Drum diameter	mm (in)	750 (29.5)	750 (29.5)	750 (29.5)
Drum thickness	mm (in)	12 (0.5")	12 (0.5")	12 (0.5")
Lateral drum offset	mm (in)	50 (2")	50 (2")	50 (2")

Drive/Transmission

Speed range	km/h (mph)	0-9 (0-5.6)	0-9 (0-5.6)	0-9 (0-5.6)
Angular movement	-	±12	±12	±12
Gradeability with vibration	%	30	30	30
		35	35	35

Tank Capacities

Fuel Capacity	l (gal)	50 (13.2)	50 (13.2)	50 (13.2)
Hydraulic oil capacity	l (gal)	40 (10.5)	40 (10.5)	40 (10.5)

Dimension

A Distance between axles	mm (in)	1,830 (72)	1,830 (72)	1,830 (72)
B Width	mm (in)	1,180 (46.5)	1,364 (53.7)	1,414 (55.7)
D Road clearance	mm (in)	166 (6.5)	166 (6.5)	166 (6.5)
H Height	mm (in)	2,720 (107)	2,720 (107)	2,720 (107)
H ₁ Drum diameter	mm (in)	750 (29.5)	750 (29.5)	750 (29.5)
L Length	mm (in)	2,670 (105)	2,670 (105)	2,670 (105)
R Inside turning radius	mm (in)	2,865 (112.8)	2,765 (108.9)	2,740 (107.9)
R ₁ Outside turning radius	mm (in)	3,865 (152.2)	3,965 (156.1)	3,990 (157.5)
W Working width	mm (in)	1,050 (41.3)	1,250 (49.2)	1,300 (51.2)
W ₁ Drum width	mm (in)	1,000 (39.4)	1,200 (47.2)	1,250 (49.2)
α Steering angle	mm (in)	±30°	±30°	±30°



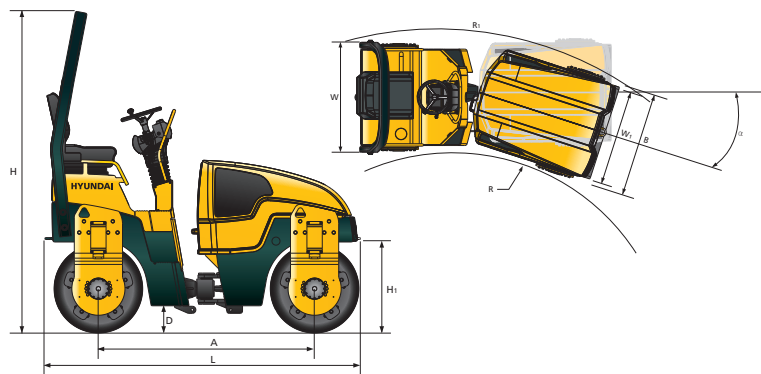
Sprinkler System	Unit	HR25T	HR26T	HR30T
Number of water tanks	-	1	1	1
Tank capacity	l (gal)	210 (55.5)	210 (55.5)	210 (55.5)
Number of pumps	-	1	1	1

STANDARD EQUIPMENT

- ROPS roll bar, Foldable
- Hydrostatic drive
- Hydrostatic vibration system at both drums
- Automatic vibration mode, double / single vibration
- Pressurized interval sprinkler system
- Both drums equipped with spring-loaded brakes
- Manual emergency stop switch with touch sensitive switch at the seat
- 2 resilient vulcolan scraper blades per drum
- Spring-mounted driver's compartment
- 4 working headlights
- Driver's seat with arm rests and safety belt
- Lockable dashboard
- Laterally slidable seat = Standard
- Back up alarm
- Rotating beacon

OPTIONAL EQUIPMENT

- Lighting according Road Traffic Regulations (StVZO)
- Edge cutting and pad roller
- Environmentally friendly hydraulic fluid



SPECIFICATIONS Tandem Drum

Water spray system

HYUNDAI Tandem rollers provide powerful operation, while the large water capacity extends operating intervals. If the roller operation calls for watering the drum, you can choose from a number of different sprinkling intervals.



The biggest drum in this weight class

A larger drum diameter ensures better surface consistency and evenness after compaction.

Easy access

All major components and service points are easily accessible, due to a wide-opening engine hood. A maintenance-free articulated joint - backed by a limited lifetime warranty - along with a low-maintenance vibration system, contribute to longer service life and reduced operating cost.

Conveniently layered lines



Easy-access air filter exchange



Easy-access battery compartment



Excellent job site visibility

Compact design and a sloped engine hood ensures excellent front and side visibility, ideal for tight or congested job sites. Hyundai's tandem drum rollers are ideal for small paving jobs, soil compaction for landscaping and asphalt repair work. Hyundai tandem rollers set new standards for compaction efficiency and job-site productivity.



Console - Lever

- 1 Vibration on / off
- 2 Direction of motion
- 3 Engine speed



Convenient levers

Conveniently-located levers mounted to the right of the operator provide easy access to control machine direction vibration selection and engine speed. Steering wheel column is adjustable for operator comfort.



PLEASE CONTACT

 **HYUNDAI**
CONSTRUCTION EQUIPMENT

www.hceamericas.com
6100 Atlantic Blvd., Norcross, GA 30071
TEL (678) 823 7777 FAX (678) 823 7778