

R30Z-9AK SPECIFICATIONS

Net Power 23.2 hp
(18.1 kW) at
2,350 rpm

Operating Weight
3,005 kg (6,625 lb)

Bucket Breakout Force
(ISO) 2,050 kgf /
4,520 lbf

Max Digging Depth
2,720 mm
(8' 11")

ENGINE

MODEL	KUBOTA D1305	
Type	Water-cooled, 4-cycle diesel 4 cylinders in line, direct injection, low emission	
Rated flywheel horsepower	SAE J1995 (gross)	24.9 HP (18.1 kW) at 2,350 rpm
	J1349 (net)	23.2 HP (17.3 kW) at 2,350 rpm
Max. torque	8.3 kgf·m (60.17 lbf·ft) at 1,600 rpm	
Bore X stroke	78 mm (3.07") x 88 mm (3.46")	
Piston displacement	1,261 cc (76.9 in ³)	
Battery	12 V - 80 Ah	
Starting motor	12 V - 1.4 kW	
Alternator	12 V - 40 Amp	

HYDRAULIC SYSTEM

MAIN PUMP	
Type	Variable-displacement piston pumps + gear pump
Max flow	2 x 27.6 l/min + 19.6 l/min
Sub-pump for pilot circuit (Gear pump)	10.4 l/min (2.7 gpm)

CROSS-SENSING AND FUEL-SAVING PUMP SYSTEM

HYDRAULIC MOTORS	
Travel	Two-speed axial piston motor with counter balance valve and parking brake
Swing	Axial piston motor with automatic brake

RELIEF VALVE SETTING

Implement circuits	240 kgf/cm ² (3,410 psi)
Travel circuit	220 kgf/cm ² (3,130 psi)
Swing circuit	170 kgf/cm ² (2,240 psi)
Pilot circuit	30 kgf/cm ² (430 psi)
Service valve	Installed

HYDRAULIC CYLINDERS

No. of cylinders bore X stroke	Boom: 75 X 565 mm (3.0" x 22.2")
	Arm: 70 X 500 mm (2.8" x 19.7")
	Bucket: 60 x 420 mm (2.4" x 16.5")
	Boom swing: 75 X 400 mm (3.0" x 15.7")
	Dozer blade: 95 X 140 mm (3.7" x 5.5")

TRAVEL SYSTEM

Max. travel speed (high) / (low)	4.4 km/hr (2.8 mph) / 2.4 km/hr (1.5 mph)
Maximum traction force	2.4 ton
Maximum gradeability	30
Parking brake	Wet disc

CONTROLS

Pilot-pressure-operated joysticks and pedals with detachable lever provide almost effortless and fatiguelless operation.

Pilot control	Two joysticks with one safety lever (LH): Arm swing, Boom swing (RH): Boom and bucket with horn (ISO)
Engine throttle	Mechanical, cable type

SWING SYSTEM

Swing motor	Axial piston motor
Swing reduction	Planetary gear reduction
Swing bearing lubrication	Grease-bathed
Swing brake	Wet disc
Swing speed	9.1 rpm

COOLANT AND LUBRICANT CAPACITY

(Refilling)	liter	gal
Fuel tank	30	7.9
Engine coolant	5.0	1.1
Engine oil	5.9	1.6
Hydraulic tank	27	7.1

WEIGHT (APPROXIMATE)

Operating weight including Cabin, 2,030mm (6' 8") boom, 1,120mm (3' 8") arm, SAE heaped 0.08 m³ (0.1yd³) excavator bucket, lubricant, coolant, full fuel tank, hydraulic tank and operator (75kg)

Operating weight (cab)	3,005 kg (6,625 lb)
Ground pressure (cab)	0.27 kg/cm ² (3.84 psi)

UNDERCARRIAGE

X-leg type center frame is integrally welded with reinforced box-section track frames. The undercarriage includes lubricated rollers, track adjusters with shock absorbing springs and sprockets, and rubber shoes.

Center frame	X-leg type
Track frame	Pentagonal box type
No. of carrier roller on each side	1
No. of track roller on each side	4

R30Z-9AK Lifting Capacity ISO Condition 2

Rating over front Rating over side or 360 degrees

Boom : 2.03 m (6' 5") / Arm : 1.12 m (3' 8") / Bucket : 0.08 m³ SAE heaped / Dozer Down / Rubber track : 250mm (9.8") / Cabin Type. W/O Additional Counterweight

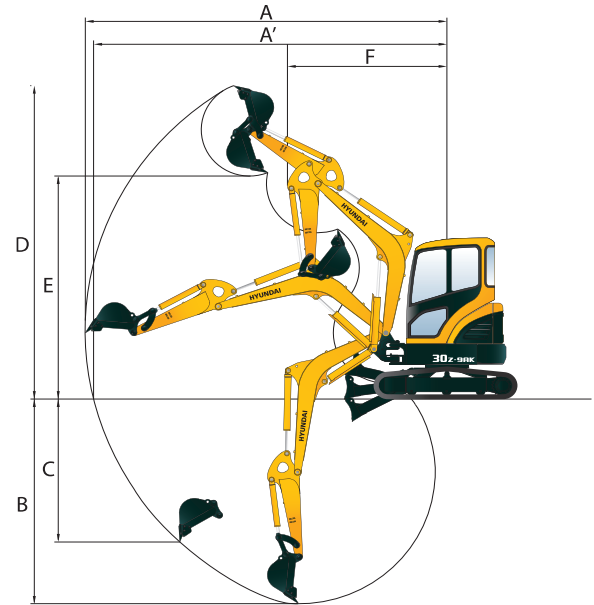
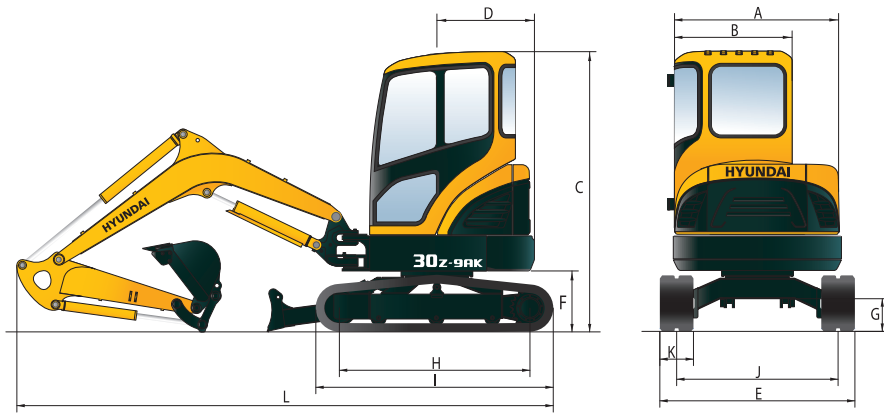
Lift-point height m (ft)		Lift-point radius								At max. reach		
		2.0 m (6.6 ft)		2.5 m (8.2 ft)		3.0 m (9.8 ft)		3.5 m (11.5 ft)		Capacity	Reach	
												m(ft)
3.0 m	kg					*690	590			*620	530	3.20
9.8 ft	lb					*1,520	1,300			*1,360	1,170	(10.5)
2.0 m	kg			*830	770	*760	580	*730	450	*570	400	3.78
6.6 ft	lb			*1,830	1,700	*1,680	1,270	*1,610	1,000	*1,260	880	(12.4)
1.0 m	kg			*1,300	720	*1,000	550	*840	440	*610	370	3.95
3.3 ft	lb			*2,870	1,580	*2,210	1,210	*1,860	970	*1,330	810	(13.0)
0.0 m	kg	*1,550	980	*1,510	690	*1,140	530	*910	430	*740	380	3.78
0.0 ft	lb	*3,430	2,150	*3,330	1,520	*2,510	1,170	*2,010	940	*1,620	850	(12.4)
-1.0 m	kg	*1,780	980	*1,310	690	*980	530			*850	490	3.21
-3.3 ft	lb	*3,930	2,170	*2,880	1,530	*2,160	1,170			*1,870	1,070	(10.5)

Notes: 1. Lifting capacities are based on ISO 10567.
2. Lifting capacities of the 9A Series do not exceed 75% of tipping load with the machine on firm, level ground or 87% of full hydraulic capacity.

3. The lift-point is a hook (standard equipment) located on the back of the bucket.
4. (*) indicates load limited by hydraulic capacity.

DIMENSIONS & WORKING RANGE

R30Z-9AK DIMENSIONS



R30Z-9AK DIMENSIONS

		mm (ft.-in)
A	Overall width of upper structure	1,485 (4' 10")
B	Overall width of cab	1,050 (3' 5")
C	Overall height of cab	2,500 (8' 2")
D	Tail swing radius with counterweight	875 (2' 10")
E	Overall width	1,550 (5' 1")
F	Clearance under counterweight	510 (1' 9")
G	Ground clearance	290 (11")
H	Tumbler distance	1,550 (4' 11")
I	Track length	1,970 (6' 6")
J	Track gauge	1,250 (4' 1")
K	Track shoe width	300 (1' 0")
L	Overall length	1,120-mm Arm 4,180 (13' 9")
		1,350-mm Arm 4,220 (13' 10")

R30Z-9AK WORKING RANGE

		mm (ft.-in)	
Boom length		2,030 (6' 8")	
Arm length		1,120 (3' 8")	1,350 (4' 5")
A	Max. digging reach	4,650 (15' 3")	4,860 (15' 11")
A'	Max. digging reach on ground	4,515 (14' 10")	4,735 (15' 6")
B	Max. digging depth	2,500 (8' 2")	2,720 (8' 11")
C	Max. vertical wall digging depth	2,085 (6' 10")	2,310 (7' 7")
D	Max. digging height	4,270 (14' 0")	4,405 (14' 5")
E	Max. dumping height	2,890 (9' 6")	3,030 (9' 11")
F	Min. swing radius	2,055 (6' 9")	2,090 (6' 10")

STANDARD EQUIPMENT

ISO standard cabin

Cabin TOPS ISO 12117
(ROPS ISO 3471)
FOG ISO 10262 Level I
(FOPS ISO 3449 Level I)

All-weather steel cab with all-around visibility

Heater & Defroster
Safety glass windows
Sliding fold-in front window
Sliding side window
Lockable door
Accessory box

Centralized monitoring

Gauges
Fuel level gauge
Engine coolant temperature gauge

Warning Indicators

Engine oil pressure
Engine coolant temperature
Preheat
Low battery
Air cleaner closing
Fuel level

Door and locks, one key

Radio / USB player
Mechanical suspension seat with seat belt
Console box tilting system (LH)

Quick coupler

Two front working lights
Electric horn
Battery (1 x 12 V x 80 AH)
Battery master switch
Automatic swing brake
Removable reservoir tank
Water separator, fuel line
Long Arm (1.35 m / 4' 5")
Mono boom (1.945 m / 6' 5")
Rubber crawler (300 mm / 10")
Single acting piping (Breaker, etc)
Double acting piping (Clamshell, etc)
Lever pattern change valve
Additional CWT
Proportional control switch

OPTIONAL EQUIPMENT

ISO standard canopy

Beacon lamp
Accumulator, work equipment lowering
Travel alarm
Tool kit
Arm (1.12 m, 3' 8")

Proportional control suite

RCV with Proportional Control Switch
Rotating Piping
Boom & Arm Safety Lock Valve

Specifications and features are subject to change without notice.
Pictures may show options other than standard equipment.

building a
comfortable
tomorrow



6100 Atlantic Blvd., Norcross, GA 30071
TEL (678) 823-7777 FAX (678) 823-7778



Printed in U.S.A.

R30Z-9AK 7/2023 PS v1