

 HD HYUNDAI

HT100V | HS120V

With Tier 4 Final/EU Stage V Engine



* Photo may include optional equipment.

building a **comfortable** tomorrow

The New Standard in Compact Equipment

PRODUCTIVITY: STANDARD

- Tier 4 Final/EU Stage V engine
- Vertical lift path
- Auto self-leveling system
- Two-speed travel
- Multifunction lever



SAFETY: STANDARD

- Rearview camera
- Escort system
- Emergency boom down
- Emergency escape
- Control interlock system
- Main disconnect switch

RELIABILITY AND VERSATILITY: STANDARD

- Air intake for engine
- Dual air-cleaner elements
- Robust rear door
- Hydraulic quick attachment
- 14-pin electrical connector

HT100V/HS120V

OPERATOR COMFORT: STANDARD

- Spacious cabin
- Excellent visibility
- Ride control
- Outstanding climate control
- Foot pedal and rotary dial
- Easy-open, slide-up door
- LED working lights
- Cabin is standard; (ROPS/FOPS) canopy is optional

EASE OF SERVICE, TELEMATICS ACCESS: STANDARD

- Hi MATE telematics
- Fully openable rear door
- Easy battery replacement
- Fully openable tilt-up cabin



PRODUCTIVITY: STANDARD

Hyundai compact loaders satisfy the world's strictest environmental regulations, while delivering exceptional productivity and fuel efficiency.



*Photo may include optional equipment.

MULTIFUNCTION LEVER

The ergonomically designed joysticks allow the operator to control all major machine functions with their hands only, without letting go of the joysticks. This greatly reduces operator fatigue when controlling the machine and attachments.

▶ Right Control Lever (Boom and Bucket) Lever button operation



1. Aux electric mode activation button
2. Aux port : Male coupler port
3. 14-pin power supply-E
4. 14-pin power supply-F
5. Aux port : Female coupler port
6. Aux thumbswitch to toggle between the second auxiliary and boom offset

▶ Left Control Lever (Driving) Lever button operation



1. 14-pin power supply-G
2. 14-pin power supply-H
3. Ride control
4. Horn button
5. 14-pin power supply-C
6. 14-pin power supply-D
7. 2-speed button

WIDE RUBBER TRACK

The HT100V comes standard with 15.75 in (400 mm) wide rubber track. This wide contact area provides extra stability and flotation working on soft ground.



15.75 in (400 mm)



▶ Tier 4 Final/EU Stage V Engine

The Hyundai 4HTI5/4HTI4 engine complies with EPA Tier 4 Final and Euro Stage V requirements while still maintaining excellent fuel efficiency and the power and productivity you need for all types of jobs.

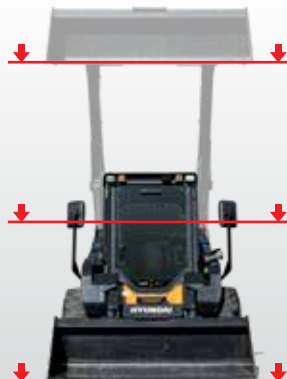
▶ Vertical Lift Path

The geometry of the loader arms on the Hyundai HT100V and HS120V lets the boom raise the bucket straight up to full height. This vertical lift path provides better stability, greater lift height, increased operating capacity and less spillage than the radial lift path common to many competitive models.



▶ Auto Self-Leveling System

The auto self-leveling system keeps the bucket or forks level without the need to manually adjust the angle on the way up during lifting. This feature can be engaged with the flip of a switch.



▶ Two-speed Travel

The operator can select between two travel speeds according to the needs of the application and jobsite, for optimal productivity.



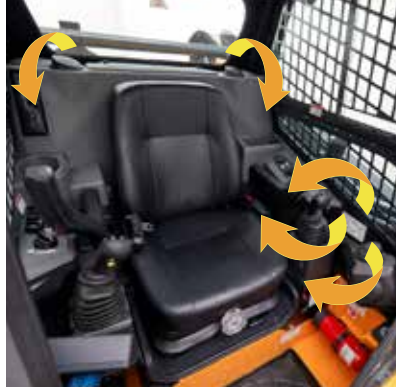
▶ Excellent Visibility

The wide front window gives the operator an excellent view to the bucket or attachment. The window on the roof of the cabin allows the operator a clear view when raising the load above the cab.



▶ Outstanding Climate Control

Optimized airflow through five vents provides outstanding cooling and heating throughout the year. It also prevents fog or frost on the windows in cold weather, so as not to interfere with the work.



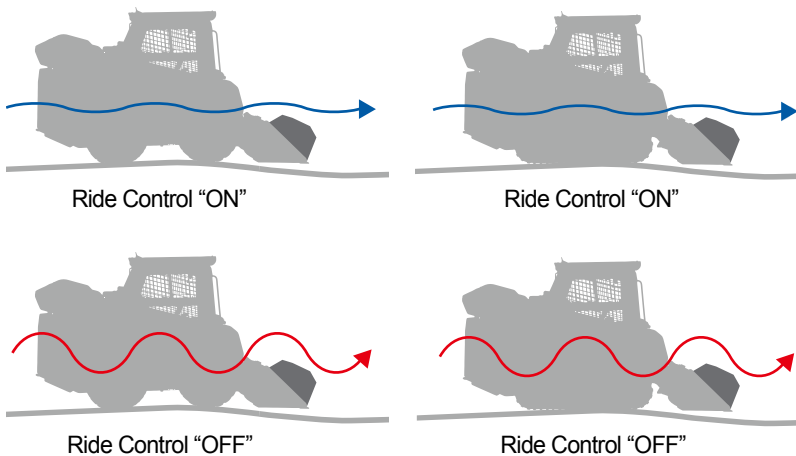
▶ Foot Pedal and Rotary Dial

Engine speed can be controlled by the rotary knob and the foot pedal during operation. The rotary dial is suitable for tasks that required constant engine speed. The foot pedal is suitable for tasks that require RPM changes.



▶ Ride Control

Ride control reduces operator fatigue and material spillage during operation. An accumulator helps to minimize shock, giving the operator a much smoother ride.



SPACIOUS CABIN

The spacious cabin lets operators work comfortably, for minimal fatigue even during long work time.



EASY OPEN/ CLOSE SLIDE-UP DOOR

The easy-glide, slide-up front door can be opened and closed with minimal effort, and the operator can work with the door open or closed, depending on weather and working conditions.



LED WORKING LIGHTS

The HT100V and HT120S come standard with two bright, long-lasting LED lights on the front and two on the rear of the cabin.



OPERATOR COMFORT: STANDARD

Multiple easy-to-control functions are concentrated in the most convenient spot so operators can work comfortably and efficiently.



*Photo may include optional equipment.

SAFETY: STANDARD

We know that a safe, comfortable operator can be more productive. This is why Hyundai works hard to ensure low noise levels, low vibration, excellent visibility, easy access to critical information, and ergonomic designs that increase comfort and efficiency.



*Photo may include optional equipment.



› Rearview Camera

The rear camera provides the operator with a view behind the machine when traveling or working. The rear camera view can be brought up on the panel, and automatically comes up when traveling in reverse.



› Escort System

When the engine is turned off, the front and rear working lights turn on for 30 seconds at night to provide the operator with a safer exit from the machine and the worksite.



› Emergency Boom Down

If the boom fails to descend due to a failure of the electrical system, it can be brought down manually through the boom down button at the bottom of the operator's seat.



› Emergency Escape

In an emergency, if an operator inside the cabin is unable to exit through the front door, he/she can escape through the rear window.



› Control Interlock System

Traveling and working operations will not activate unless seat bars are lowered. This prevents accidental machine movement that could otherwise occur.



› Main Disconnect Switch

The main disconnect switch prevents battery discharge during long-term storage. It also prevents unauthorized operation or theft.



RELIABILITY AND VERSATILITY: STANDARD

The true value of the HT100V and HS120V is revealed in tough working environments. Hyundai has put these machines through rigorous testing in house and on the job in a variety of applications, using a wide array of attachments. And these machines have proven themselves over and over.



*Photo may include optional equipment.

AIR INTAKE FOR ENGINE

The upper protection cover blocks the inflow of rainwater and dust to prevent contamination and corrosion of the condenser and parts inside the engine compartment.



DUAL AIR-CLEANER ELEMENTS

The dual air-cleaner elements in the engine filter ensure a fresh, dust-free air supply to the engine.



ROBUST REAR DOOR

A robust rear door protects the machine from strong physical impact, ensuring durability, for longer, reliable performance.



MAIN FRAME AND UNDERCARRIAGE

The undercarriage is fully welded to the main frame for ultimate durability.



ATTACHMENT VERSATILITY



Bucket



Sweeper



Pallet Forks

▶ Hydraulic Quick Coupler

The industry standard flat-faced coupler with integrated case drain powers a variety of hydraulically driven attachments according to weight and hydraulic flow requirements. The operator can quickly change attachments with the touch of a button without leaving the seat.



▶ 14-Pin Electrical Connector

The standard 14-pin electrical connector controls various attachments.



TELEMATICS ACCESS AND EASE OF SERVICE: STANDARD

HD Hyundai is leading the construction industry by providing the right mix between smart machines and practical mechanics to help your business succeed.



Hi MATE

CONVENIENT, EASY AND VALUABLE

Access to the Hi MATE mobile app, HD Hyundai's proprietary GPS-based remote management system, is free for five years on the HS120V skid steer and HT100V compact track loaders. Hi MATE enables users to remotely evaluate machine performance, access diagnostic and maintenance schedules and records, and verify machine locations at the touch of a button.

BENEFITS



Boost Productivity

With Hi MATE, you can quickly view critical information such as working hours vs. idling hours, service intervals, machine location and performance data that can help you boost productivity for your fleet.



Protect from Theft

Hi MATE helps you protect your machines from theft or unauthorized use by alerting you if a machine moves outside the geo-fence boundaries you set.



Log in from Anywhere

You can log in to the Hi MATE mobile application to check on your machines whenever and wherever you are.

► Fully Openable Rear Door

The rear door can be opened easily. And the swing-out radiator provides easy access to the engine compartments, hydraulic filter, ECU and etc.



► Easy Battery Replacement

Easy access to replace the battery keeps downtime to a minimum.



► Fully Openable Tilt-up Cabin

Tilt-up cabin can be fully opened without having to lift the arm, allowing easy access and maintenance.



HT100V/HS120V SPECIFICATIONS

| ENGINE 100 | | HT100V | HS120V |
|-------------------------|-----------------|--------------------------------|--------|
| Make/Model | | Hyundai / 4HTI4 | |
| Emissions Certification | | EPA tier 4 final | |
| Output | SAE J1995 Gross | 73.6 hp (54.9 kW) / 2,400 rpm | |
| | SAE J1349 Net | 69.7 hp (52 kW) / 2,400 rpm | |
| Displacement | | 148.6 cu in (2,435 cc) | |
| Number of Cylinders | | 4 cylinders | |
| Bore x Stroke | | 3.4" (87 mm) x 4.0" (102.4 mm) | |
| Aspiration | | Turbocharged | |
| After treatment | | DOC, DPF (no *DEF) | |

*Due to the size of the machines, no DEF is required.

| LOADER PERFORMANCE | | HT100V | HS120V |
|---|----------|-----------------------|-----------------------|
| Rated Operating Capacity ~35% tipping load | | 2,300 lb (1,043 kg) | 1,883 lb (854 kg) |
| Rated Operating Capacity ~50% tipping load | | 3,285 lb (1,490 kg) | 2,690 lb (1,220 kg) |
| Breakout Force | Bucket | 6,204 lbf (2,814 kgf) | 6,327 lbf (2,870 kgf) |
| | Lift Arm | 4,766 lbf (2,162 kgf) | 4,354 lbf (1,975 kgf) |
| Lift Arm Path | | Vertical | |
| Control | | ISO pilot | |

| HYDRAULIC SYSTEM (STANDARD) | | HT100V | HS120V |
|-----------------------------|--|-----------------------|--------|
| Hydraulic Flow | | 21.9 gpm (82.9 l/min) | – |
| Hydraulic Pressure | | 3,335 psi (230 bar) | – |

| SERVICE REFILL CAPACITIES | | HT100V | HS120V |
|---------------------------------------|--|-----------------------|--------|
| Hydraulic System | | 10.0 gal (38 liters) | – |
| Engine oil | | 2.4 gal (9 liters) | – |
| Engine coolant (Radiator Included) | | 2.7 gal (10.4 liters) | – |
| Fuel tank | | 26.4 gal (100 liters) | – |

| OPERATING WEIGHT | | HT100V | HS120V |
|--------------------|--|---------------------|---------------------|
| Open Cab | | Coming Soon | |
| Enclosed Cab (STD) | | 9,755 lb (4,425 kg) | 8,481 lb (3,847 kg) |

| UNDERCARRIAGE | | HT100V |
|--------------------------|------|-----------------------|
| Track Width | | 1' 4" (400 mm) |
| Ground Pressure | | 5.6 psi (38.5 kPa) |
| Track Rollers (Per Side) | | 4 |
| Travel Speed (1-Speed) | | N/A |
| Travel Speed (2-Speed) | Low | 4.7 mph (7.5 km/h) |
| | High | 7.1 mph (11.5 km/h) |
| Tractive Force | | 6,482 lbf (2,940 kgf) |
| Ground Clearance | | 9" (230 mm) |

| UNDERCARRIAGE | | HS120V |
|------------------------|------|-----------------------|
| Standard Tire Size | | 12-16.5 12PR |
| Travel Speed (1-Speed) | | 8.0 mph (12.8 km/h) |
| Travel Speed (2-Speed) | Low | 7.1 mph (11.5 km/h) |
| | High | 19.4 mph (12.1 km/h) |
| Tractive Force | | 8,494 lbf (3,853 kgf) |
| Ground Clearance | | 8" (195 mm) |

| OPERATOR STATION | | HT100V | HS120V |
|-------------------------|--|--------------|--------|
| Type | | Enclosed cab | |
| Sound Inside Closed Cab | | 83 dB | 80 dB |
| ROPS | | ISO 3471 | |
| FOPS | | ISO 3449 | |

EQUIPMENT

STANDARD EQUIPMENT

- Enclosed Cab (ROPS/FOPS)
- Mechanical Suspension Seat
- 3" Retractable Seat Belt
- 12V Electric Outlet / USB Outlet
- Air Conditioner and Heater
- Horn / Backup Alarm
- Driving Lamp (Rear 2)
- Working Lamp (Front 2)
- Dial and Foot Throttle
- Bluetooth/USB Radio
- Telematics (Hi MATE)
- Hydraulic Quick Coupler
- Boom Float Function
- Dual Air-Cleaner Elements
- Rearview Camera
- Bucket Self-leveling (Up Only)
- Rearview Mirror
- Multifunction Lever
- Interior Cab Light/Courtesy Light
- 14-pin Coupler for Attachments
- Ride Control
- Two-speed Travel
- Rubber Wide Track (HT100V Only)
15.75" (400 mm)
- Heavy-duty Tire 12-16.5 (HS120V Only)

OPTIONAL EQUIPMENT

- 2" Retractable Seat Belt*
- Side Mirrors
- License Lamp
- Beacon Lamp
- Driving Lamp (Front 2/Rear 2)
- Working Lamp (Front 2/Rear 2)
- Mechanical Quick Coupler*
- Additional Counterweight
- Solid Tires (HS120V Only)
- Polycarbonate Front Door*
- Fire Extinguisher
- Tool Kit
- ... and much more.

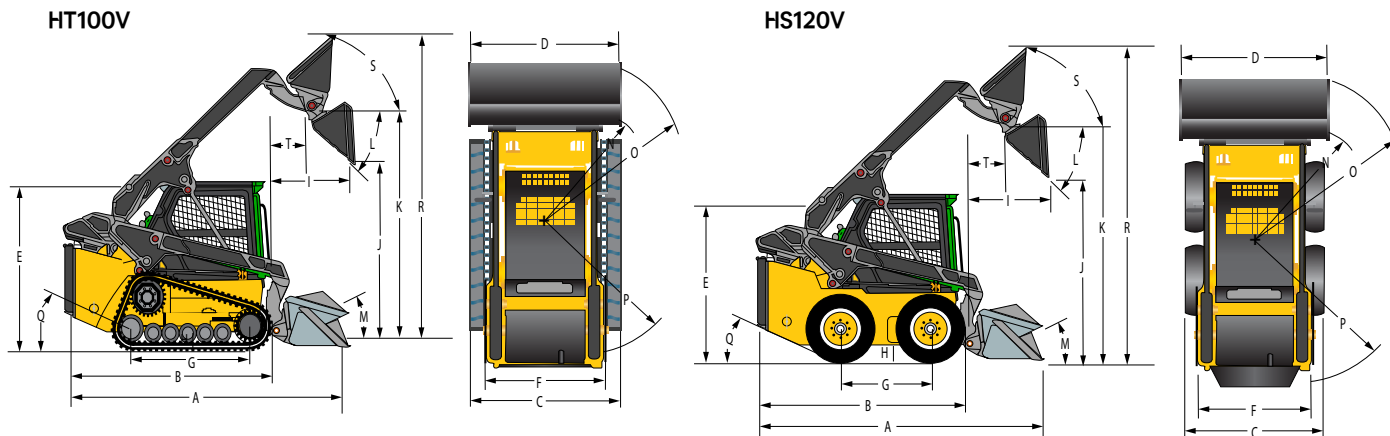
* Factory Option

Hyundai will make product improvements from time to time to enhance customer experience and productivity.

DIMENSIONS AND SPECIFICATIONS

DIMENSIONS

All dimensions are approximate.



Unit : mm (ft-in)

| DIMENSIONS | | HT100V | HS120V |
|------------|---|----------------|----------------|
| A | Length w/bucket on ground | 3,654 (12' 0") | 3,675 (12' 1") |
| B | Length w/o bucket | 2,795 (9' 2") | 2,960 (9' 9") |
| C | Vehicle width over tires/tracks | 1,794 (5' 11") | 1,820 (6' 0") |
| D | Width with bucket | 1,890 (6' 3") | 1,890 (6' 2") |
| E | Height to top of cab | 2,078 (6'10") | 2,161 (7' 1") |
| F | Centerline of tires/tracks | 1,394 (4' 7") | 1,513 (5' 0") |
| G | Wheelbase | 1,435 (4' 8") | 1,200 (3' 11") |
| H | Ground clearance | 230 (0' 9") | 195 (0' 8") |
| I | Reach at max. lift and dump | 916 (3' 0") | 949 (3' 1") |
| J | Height at max. lift and dump | 2,468 (8' 1") | 2,473 (8' 1") |
| K | Hinge pin height at max. lift | 3,211 (10' 6") | 3,215 (10' 7") |
| L | Max. dump angle | 44.5° | 44.3° |
| M | Rollback angle on ground | 29° | 29° |
| N | Turning radius from center - coupler | 1,672 (5' 6") | 1,548 (5' 1") |
| O | Turning radius from center - bucket | 2,289 (7' 6") | 2,170 (7' 1") |
| P | Turning radius from center - machine rear | 1,720 (5' 8") | 1,850 (6' 1") |
| Q | Rear departure angle | 25° | 25° |
| R | Max. overall height | 4,060 (13' 4") | 4,068 (13' 4") |
| S | Rack back angle at max height | 87.2° | 88.3° |
| T | Bucket pin reach at maximum lift | 442 (1' 5") | 414 (1' 4") |

Easy to Own, Easy to Operate



BACKED BY HYUNDAI

Built to perform

The HT100V and HS120V, like all Hyundai equipment, are built to perform, day in and day out, to meet our customers' toughest expectations and quality standards.

North American dealer network

Hyundai construction equipment is sold and serviced through a growing network of more than 90 dealerships operating from nearly 200 locations across the United States and Canada.

Support

When you purchase a Hyundai machine you know your investment is as solid as the steel on our buckets and booms. You can count on the Hyundai difference.

- Products packed with value – with more standard features on every machine.
- Industry-leading standard warranty of 3 years or 3,000 hours, plus a 5-year, 10,000-hour structural warranty, with the option to add Hyundai Extend, an extended-warranty program.
- Knowledgeable, trained and experienced service personnel, backed by our solutions-focused field support team.
- Parts support, with an average 98-percent fill rate for parts orders submitted by our dealers on behalf of customers like you. Our warehouse in suburban Atlanta carries more than \$43 million in parts inventory.

