

# HR25/30T-9

HYUNDAI Tandem rollers

MOVING YOU FURTHER

HYUNDAI HEAVY INDUSTRIES



\*Photo may include optional equipment.

 **HYUNDAI**  
HEAVY INDUSTRIES

# MOVING YOU FURTHER

---



# HR25/30T-9

HYUNDAI Tandem Rollers



## We suggest you all new standard for Road Rollers!

Hyundai Tandem Rollers with improved efficiency in work environment and expanded roller size. Minimizing the tiredness of operators with user-friendly operating environment and interface, our environment-friendly Hyundai tandem rollers are also suitable for European Emission Regulation.

### Machine Walk-Around

#### Front chassis and drum

Front and rear scrapers remove material in case humid or cohesive soils are compacted. Furthermore, the front frame and the drum provide additional static load.

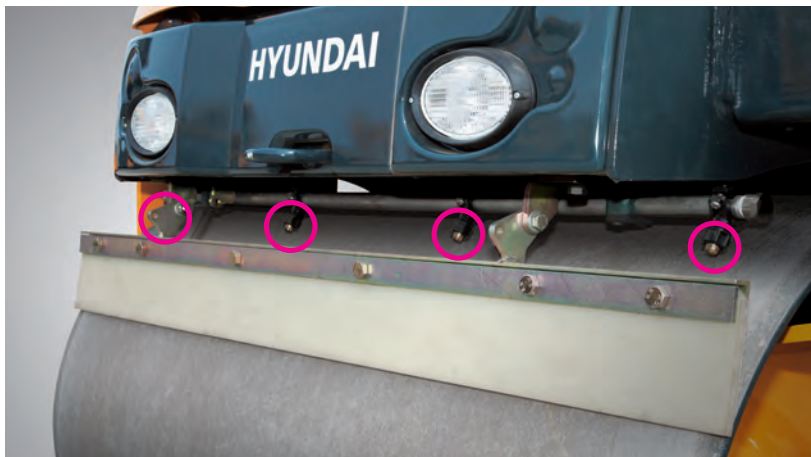
#### Safety

Ideal circumferential visibility. The ROPS foldable yoke is available for driver's safety and easy transportation.



## Improved workability

Drum: Vibration system



### Water spray system

HYUNDAI Tandem rollers provide powerful operation, while the large water capacity extends operating intervals.

If the roller operation calls for sprinkling the drum, you can choose from a number of different sprinkling intervals.



## Engines

Air-cooled Diesel engines with large fuel tanks, high durability and low fuel consumption. A minimized noise level is attained by means of special engine bearings.

Machine	-	HR25T-9	HR26T-9	HR30T-9
Model	-	Deutz	Deutz	Deutz
Type	-	D 2011 L2 i	D 2011 L2 i	D 2011 L2 i
Output	kW	23 (31HP)	23 (31 HP)	23 (31 HP)

## The biggest drum in this weight class



## The biggest drum in this weight class

The bigger the drum diameter is, the better is the surface evenness after compaction.





### New high visibility for safe operation

The compact dimensions ensure a good view of the machine itself and its surroundings and allow for operation on small and narrow construction sites. The scope of application ranges from the construction of medium-sized roads, soilwork, gardening & landscaping to asphalt repair work. Tandem rollers set new standards with regard to their design & their sophisticated technical details.

## Preference

### Operator Comfort



#### Console - Lever

- 1 Vibration on / off
- 2 Direction of motion
- 3 Engine speed



### Convenient levers

Convenient & comfort lever provide you easy control, the function related to working with the tandem roller are activated by the selector switches vibration on the dashboard and the joystick lever.



# Easy Maintenance

## Easy access

All maintenance components and aggregates easily are accessible, thanks to the wide opening of the engine hood.

The maintenance-free articulated joint and the low-maintenance vibration unit warrant a long service life and reduce maintenance expenditures.

## Easy air filter replacements



Conveniently layered lines



Easy accessible battery



## Technical Specifications

WEIGHT	UNIT	HR25T-9	HR26T-9	HR30T-9
Operating weight CECE	kg	2,450	2,650	3,000
Average axle load CECE	kg	1,225	1,325	1,500

### COMPACTION PERFORMANCE

Average linear drumload	kg/cm	12.25	11.04	12.00
Amplitude	mm	0.5	0.5	0.5
Frequency I/II	Hz	53 / 61	53 / 61	52 / 58
Centrifugal force at Frequency I/II	kN	21.5 / 28	25 / 34	29 / 37

### DRUMS

Drum width	mm	1,000	1,200	1,250
Drum diameter	mm	750	750	750
Drum thickness	mm	12	12	12
Lateral drum offset	mm	50	50	50

### DRIVE/TRANSMISSION

Speed range	km/h	0-10	0-9	0-10
Angular movement	-	±12	±12	±12
Gradeability w/wo vibration	%	30 / 35	30 / 35	30 / 35

### ENGINE

Machine		HR25T-9	HR26T-9	HR120C-9
Tier 2 Engine	Model	Deutz D 2011 L2i	Deutz D 2011 L2i	Deutz D 2011 L2i
	Output	23 Kw / 31 HP	23 kw / 31HP	23 kw / 31HP

### TANK CAPACITIES

Fuel capacity	l	50	50	50
Hydraulic oil capacity	l	40	40	40

### DIMENSION

A Distance between axles	mm	1,830	1,830	1,830
B Width	mm	1,180	1,364	1,414
D Road clearance	mm	166	166	166
H Height	mm	2,720	2,720	2,720
H <sub>i</sub> Drum diameter	mm	750	750	750
L Length	mm	2,670	2,670	2,670
R Inside turning radius	mm	2,865	2,765	2,740
R <sub>1</sub> Outside turning radius	mm	3,865	3,965	3,990
W Working width	mm	1,050	1,250	1,300
W <sub>i</sub> Drum width	mm	1,000	1,200	1,250
α Steering angle	mm	±30°	±30°	±30°

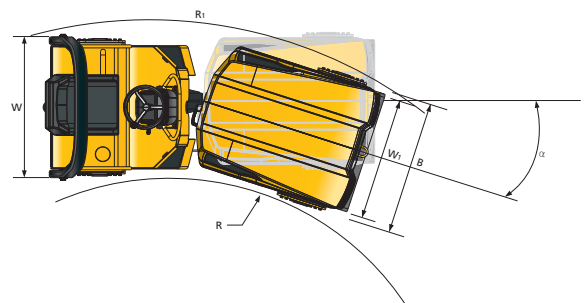
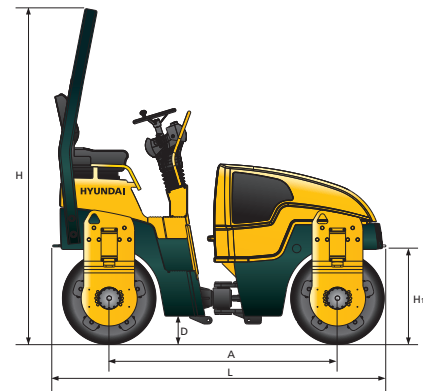
SPRINKLER SYSTEM	UNIT	HR25T-9	HR26T-9	HR30T-9
Number of water tanks	-	1	1	1
Tank capacity (litre)	l	210	210	210
Number of pumps	-	1	1	1

### STANDARD EQUIPMENT

ROPS roll bar, Foldable  
 Hydrostatic drive  
 Hydrostatic vibration system at both drums  
 Automatic vibration mode, double / single vibration  
 Pressurized interval sprinkler system  
 Both drums equipped with spring-loaded brakes  
 Manual emergency stop switch with touch sensitive switch at the seat  
 2 resilient vulcolan scraper blades per drum  
 Spring-mounted driver's compartment  
 4 working headlights  
 Driver's seat with arm rests and safety belt  
 Lockable dashboard  
 Laterally slidable seat = Standard

### OPTIONAL EQUIPMENT

Lighting according Road Traffic Regulations (StVZO)  
 Back up alarm  
 Rotating beacon  
 Edge cutting and pad roller  
 Special color  
 Environmentally friendly hydraulic fluid



PLEASE CONTACT

**HYUNDAI** | CONSTRUCTION EQUIPMENT  
HEAVY INDUSTRIES

Head Office  
 1000 BANGGEOJINSUNHWAN-DORO, DONG-GU, ULSAN, 682-792, KOREA  
 TEL:(82)52-202-7722, 9807 FAX:(82)52-202-7720

