

SPECIFICATIONS

HL940A TM

Powered By Cummins Performance Series Engine



*Photo may include optional equipment.



Net Power

154 HP (115 kW) / 2,200 rpm

Operating Weight

13,800 kg (30,420 lb)

Standard Bucket

2.3 m³ / 3.0 yd³



SPECIFICATIONS HL940A TM

ENGINE	
Make/model	CUMMINS / B6.7
Type	Water-cooled, 4-cycle, turbocharged air-cooled, direct-injection, electronically controlled diesel engine
HL940A TM Gross power	156 HP (118 kW) / 2,200 rpm
Net power	154 HP (116 kW) / 2,200 rpm
Maximum torque	76 kg·m (550 lb-ft) / 1,300 rpm
No. of cylinders	6
Bore x Stroke	107 mm (4.21") x 124 mm (4.88")
Displacement	6.7 l (409 in ³)
Compression ratio	17.3 : 1
Air cleaner	Dry, 2-stage dual elements
Alternator	24 V - 95 Amp
Battery	2 x 12 V - 120 Ah, 850 CCA
Starting motor	24 V - 7.8 kW

TRANSMISSION	
Torque converter type	Single-stage, single-phase

* Fully automatic power shift, countershaft type with soft-shift in range and direction. Properly matched torque converter to engine and transmission for excellent working ability

Travel speed, km/h (mph)		HL940A TM
Forward	1st	6.9 (4.3)
	2nd	12.7 (7.9)
	3rd	24.9 (15.5)
	4th	40 (24.9)
Reverse	1st	7.3 (4.5)
	2nd	13.4 (8.3)
	3rd	26.1 (16.2)

AXLES	
Drive system	Four-wheel drive system
Mount	Rigid front axle and oscillating rear axle
Front axle	Fixed
Rear axle oscillation	±12° (total 24°)
Hub reduction	Planetary reduction at wheel end
Differential	Hydraulic lock (front) / conventional (rear)
Reduction ratio	21.53

OVERVIEW		
Description	UNIT	HL940A TM
Operating weight	kg (lb)	13,900 (30,645)
Bucket capacity	Heaped	m ³ (yd ³)
	Struck	m ³ (yd ³)
Breakout force—bucket	kg (lb)	10,830 (23,880)
Tipping load	Straight	kg (lb)
	Full turn	kg (lb)

TIRES		
Type	Tubeless, loader design tires	
Standard	20.5 R25, L3	
Options include	20.5-25, 16PR, L3	17.5-25, 12PR, L3
	20.5-25, 16PR, L2	17.5-25, 12PR, L2
	20.5 R25, XHA2, L3	17.5 R25, XHA1, L3

SOUND	
Guaranteed noise level presented below can be differed depending on a range of factors such as operating condition, speed of a cooling fan, types of engine and so forth. Hearing protection shall be necessary if an operator is working in the improperly maintained cabin or exposed to a noisy environment by leaving doors and/or windows open.	
With cooling fan speed at maximum value:	
Operator sound pressure level (ISO 6396:2008)	60 dB(A)
Exterior sound power level (ISO 6395:2008)	102 dB(A)

* Distance of 15 m (49.2 ft), moving forward in second gear ratio.

HYDRAULIC SYSTEM		
Type	Variable piston pump	
Capacity	74 cc/rev	
Maximum Operating Pressure	280 kgf / cm ² (3,980 psi) @ 2,230 rpm	
3rd Function Auxiliary Control	Rated output flow	149 l/min (39.4 gpm)
	Maximum Pressure	30 kgf / cm ² (427 psi)
Pump	Variable-displacement piston pump 149 l/min (39.4 gpm)	
Control valve	2 spool (bucket, boom) 3 spool (bucket, boom, aux) (opt.) Pilot pressure controlled type	
System pressure	280 kgf/cm ² (3,982 psi)	
Lift circuit	The valve has four functions: raise, hold, lower and float. Can adjust automatic kick-out from horizontal to full lift	
Tilt circuit	The valve has three functions: tilt back, hold and dump Can adjust automatic bucket positioner to desired load angle	
Cylinder	HL940A TM	Type: Double acting No. of cylinders-bore x stroke Lift: 2-110 mm x 738 mm (4.3" x 29.1") Tilt: 2- 95 mm x 745 mm (3.6" x 29.3")
Cycle times	HL940A TM Raise: 5.5 sec Dump: 1.6 sec Lower: 3.0 sec Total: 10.1 sec	

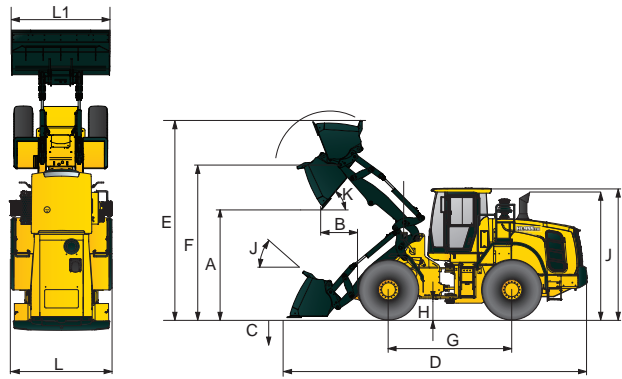
BRAKES	
Service brakes	Hydraulically actuated, wet-disc brakes actuate all 4 wheels Independent axle-by-axle system Self-adjusting and wheel speed brake
Parking brake	Spring-applied, hydraulically released brake
Emergency brake	When brake oil pressure drops, indicator light alerts operator, and parking brake automatically applies
Travel brake	Four-wheel, Outboard, wet-disc type, full hydraulic

STEERING SYSTEM	
Type	Load-sensing hydrostatic articulated steering
Pump	Variable-displacement piston pump 149 l/min (39 gpm)
Relief valve setting	210 kgf/cm ² (2,987 psi)
Cylinder	Double acting 65 mm (2.56") x 429 mm (16.9")
Steering angle	40° both right and left angle, respectively
Additional Features	Center-point frame articulation Tilt and telescopic steering column

SERVICE REFILL CAPACITIES	
Fuel tank	220 l (58 gal)
DEF tank	19 l (5.0 gal)
Cooling system	34 l (9.0 gal)
Crankcase	18 l (4.8 gal)
Transmission	25 l (6.6 gal)
Front axle	24 l (6.3 gal)
Rear axle	24 l (6.3 gal)
Hydraulic tank	90 l (23.8 gal)
Hydraulic system (including tank)	130 l (34.3 gal)

HL940A TM DIMENSIONS

All dimensions are approximate.



Description	UNIT	HL940A TM
Bucket type	General purpose bolt-on cutting edge	
A. Dumping clearance at max. height and 45° dump angle.	mm (ft-in)	2,840 (9' 3")
B. Reach	Full lift	mm (ft-in) 1,380 (4' 6")
	2,134 mm height (7 feet)	mm (ft-in) 1,805 (5.11")
C. Digging depth	mm (ft-in)	100 (3.9")
D. Overall length	mm (ft-in)	7,805 (25' 7")

Description	UNIT	HL940A TM
E. Overall height (fully raised)	mm (ft-in)	5,265 (17' 3")
F. Bucket pivot max. height	mm (ft-in)	3,980 (13' 1")
G. Wheelbase	mm (ft-in)	3,000 (9' 10")
H. Ground clearance	mm (ft-in)	417 (1' 4")
I. Height over cab	mm (ft-in)	3,300 (10' 10")
J. Rollback angle (deg)	at carry deg	50
K. Dump angle (deg)	deg	50
Clearance circle, over bucket (carry position)	mm (ft-in)	11,676 (38' 3.7")
Clearance circle, outside of tires	mm (ft-in)	10,671 (35')
Clearance circle, inside of tires	mm (ft-in)	5,814 (19' 8")
L. Overall width	mm (ft-in)	2,450 (8')
L1. Overall width with bucket	mm (ft-in)	2,540 (8' 4")

HL940A TM / DENSITY OF OPERATING MATERIALS

Loose material	Material Density	
Earth/clay	1.5~1.7 tons / m ³ (2,528~2,865 lb / yd ³)	
Sand and gravel	1.5~1.7 tons / m ³ (2,528~2,865 lb / yd ³)	
Aggregate	25~76 mm (1" to 3")	1.6~1.7 tons / m ³ (2,697~2,865 lb / yd ³)
	19 mm (3/4") and larger	1.8 tons / m ³ (3,034 lb / yd ³)

HL940A TM / DENSITY OF OPERATING MATERIALS

Lift arm	Bucket	Type	m ³ (yd ³)	Material Density [t/m ³] (lb / yd ³)														
				1.0	1.1	1.2	1.3	1.4	1.5	1.6	1.7	1.8	1.9	2.0	2.1	2.2	2.3	2.4
Standard lift arm	General Purpose	Cutting edge	2.3 (3.0)	(1,686)	(1,854)	(2,023)	(2,191)	(2,360)	(2,528)	(2,697)	(2,865)	(3,034)	(3,203)	(3,371)	(3,540)	(3,708)	(3,877)	(4,045)
				2.6 m ³ (3.4 yd ³)						2.2 m ³ (2.9 yd ³)								

HL940A TM LIFTING CAPACITY

Ground	10,210 kg	9,860 kg
	(22,510 lb)	(21,740 lb)
Max. Reach	8,650 kg	8,710 kg
	(19,070 lb)	(19,200 lb)
Full Height	6,120 kg	5,900 kg
	(13,490 lb)	(13,010 lb)

**These specifications are based on the HCE Standard & ISO Quick Coupler and standard HCE 3.0 yd³ / 2.3 m³ QC Bucket.



ENGINE	STD	OPT
ENGINE, CUMMINS B6.7		
Tier 4 Final / Stage V	•	
Engine enclosure, lockable	•	
Engine fuel priming pump	•	
Fuel/water separator	•	
Waste Gate Turbo	•	
CLEAN EMISSION MODULE		
DOC, SCR, DPF, NO EGR	•	
Active Emission Regeneration (No Manual Regeneration Required)		
3-stage air precleaner	•	
Air cleaner with auto dust eject	•	
Engine oil-level dipstick gauge	•	
Fuel heater	•	
Fuel heater (dual)		•
Precleaner, engine air intake	•	
Radiator	•	
Starting aid (air intake heater)	•	
COOLING SYSTEM		
Antifreeze	•	
Coolant-level sight gauge	•	
Fan guard	•	
Wide fin radiator	•	
POWER TRAIN	STD	OPT
Brakes: service, enclosed wet-disc	•	
Hydraulic lock differential (front)	•	
Conventional differential (rear)		
Hydraulic lock differential (front)		•
Limited-slip differential (rear)		•
Limited-slip differential (front, rear)		•
Parking brake	•	
Transmission F4 / R3 speed transmission, computer-controlled, electronic soft-shift, auto-shift and kick-down features included	•	
Transmission oil cooler, wide fin	•	
Transmission oil sight level	•	
Torque converter	•	
TIRES		
20.5 R25, L3	•	
20.5 - 25, 16PR, L3		•
20.5 - 25, 16PR, L2		•
20.5 R25, XHA2, L3		•
17.5 - 25, 12PR, L3		•
17.5 - 25, 12PR, L2		•
17.5 R25, XHA1, L3		•
HYDRAULIC SYSTEM	STD	OPT
Auto Reversing Fan (adjustable Time/ Interval Frequencies) w/ Manual Override	•	
Boom kick-out, automatic	•	
Bucket positioner, automatic	•	
Diagnostic pressure taps	•	
Extra piping for auxiliary function		•
Fingertip control (EH control)	•	•
Hydraulic oil cooler, wide fin	•	
Hydraulic control, 3 spool	•	
Joystick control lever with F&R		•
Joystick control (EH control)	•	
Lever control single axis		•
Ride control system	•	
Secondary steering system		•
HYDRAULIC CONTROL		
Joystick		•
Fingertip		•
ELECTRO-HYDRAULIC CONTROL		
Boom kickout, automatic	•	
Bucket positioner, automatic	•	
Extra piping for auxiliary function		•
Fingertip	•	
Joystick	•	
Quick coupler piping	•	
Boom kickout, automatic	•	

CAB & INTERIOR	STD	OPT
Alternator, 95 Amp	•	
ALARMS, AUDIBLE AND VISUAL		
Air filter clogging	•	
Battery voltage	•	
Brake oil pressure	•	
Coolant level	•	
Coolant temperature	•	
Engine oil pressure	•	
Fuel level	•	
Hydraulic oil temperature	•	
Parking brake	•	
Transmission error	•	
Transmission oil temperature	•	
Water in fuel	•	
Alarm, back-up	•	
BATTERIES, CMF		
850 CCA, 12V, (2)	•	
GAUGES		
Engine coolant temperature	•	
Fuel level	•	
Speedometer	•	
Transmission oil temperature	•	
INDICATOR LIGHTS		
High beam	•	
Pilot cut off	•	
Turn signal	•	
LCD DISPLAY		
Clock and fault code	•	
Engine rpm	•	
Job time and distance	•	
Operating hour counter	•	
Temperature (coolant, hydraulic oil, t/m oil)	•	
Transmission gear range indicator	•	
LIGHTING SYSTEM		
Brake lights (counterweight)	•	
2 head lights on front tower	•	
2 stop and taillights	•	
4 turn signals	•	
2 working lights on front roof	•	
4 working lights on front roof, 2 working lights on rear roof	•	
4 working lights (2 xenon) on front roof, 2 working lights on rear roof		•
4 working lights (LED) on front roof, 2 working lights (LED) on rear roof		•
2 working lights on grille	•	
SWITCHES		
Battery master switch	•	
FNR	•	
Hazard	•	
Ignition	•	
Parking	•	
Pilot cutoff	•	
SCR cleaning / inhibit	•	
Secondary steering test		•
INTEGRATED MONITOR FEATURES		
Auto position switch	•	
Beacon lamp switch	•	
Main light switch	•	
Mirror heat switch	•	
Onboard weighing system	•	
Quick coupler switch	•	
Rear wiper switch	•	
Ride control switch	•	
Work light switch	•	
Work load switch	•	
CAB ROPS (ISO3471) / FOPS (ISO3449) (sound suppressed and pressurized) with		
Coat hook	•	
Compressor, w/ Air Hose	•	
AUTOMATIC CLIMATE CONTROL		
Air conditioner and heater	•	
Defroster	•	
Intermittent wiper and washer, front and rear	•	

CAB & INTERIOR	STD	OPT
SEAT		
3" retractable seat belt and adjustable air suspension (heated)	•	
PERSONAL STORAGE SPACE		
Console box	•	
Holder, can and cup	•	
Magazine pocket	•	
One door cab	•	
Rearview mirrors (1 inside)	•	
Rearview mirrors (2 outside)	•	
Rearview mirrors (2 outside, heated)	•	
Roller type sunshade (front window)	•	
Roller type sunshade (rear window)		•
Steering column, tilt and telescopic	•	
Steering wheel with knob	•	
Tinted safety glass	•	
PEDALS		
Dual-brake pedal		•
One accelerator pedal	•	
One brake pedal	•	
Armrest	•	
Radio/USB player	•	
Rubber floor mat	•	
OTHER	STD	OPT
Articulation locking bar	•	
Counterweight	•	
Cutting edge, bolt-on type		•
Door and cab locks, one key	•	
Doors, service access (locking)	•	
Drawbar with pin	•	
Ergonomically located and slip resistant, left and right	•	
Handrails	•	
Ladders	•	
Platforms	•	
Steps	•	
Hydraulic oil-level sight gauge	•	
Lift and tie-down hooks	•	
Loader linkage, sealed	•	
Log grapple		•
Pallet forks		•
Toolkit		•
Tooth, 1 piece, bolt-on type		•
Tooth, 2 pieces, bolt-on type		•
Z-bar design	•	
GUARDS		
Crankcase		•
Full rear fenders		•
Half fenders front and rear	•	
Transmission		•
EH Control		•
License plate and lamp		•
Wheel chock		•
HI-MATE REMOTE MANAGEMENT SYSTEM		
Mobile	•	
Satellite		•
SAFETY	STD	OPT
AAMV / IMOD (360 degree Camera)		•
Beacon light, rotating		•
Fire extinguisher		•
Radar Detection		•
Rearview camera	•	

* Standard and optional equipment may vary. Contact your Hyundai dealer for more information. The machine may vary according to International standards.

* The photos may include attachments and optional equipment that are not available in your area.

* Materials and specifications are subject to change without advance notice.

* All imperial measurements rounded off to the nearest pound or inch.

PLEASE CONTACT



www.hceamericas.com
6100 Atlantic Blvd., Norcross, GA 30071
TEL (678) 823-7777 FAX (678) 823-7778