

HYUNDAI
CONSTRUCTION EQUIPMENT

WHEEL LOADERS

2.5 yd³ - 7.30 yd³ / 1.9 m³ - 5.4 m³



HL930A, HL940A, HL955A, HL960A,
HL965, HL970A, HL975, HL980A

* Extended-reach (XT) configurations are available for all Z-bar models.



Celebrating 30 years in North America



Founded with Strength

Three decades ago, the spirit of Hyundai entered North America with the founding of Hyundai Construction Equipment Americas, Inc. The brand entered this market powered by a global giant, Hyundai Heavy Industries.

Propelled with Spirit

Today, Hyundai Construction Equipment Americas still embodies the Hyundai spirit, bringing Founder Chung Ju-yung's vision of extraordinary quality, innovation and performance to contractors and other equipment users across the United States and Canada.

Built to Perform

We know that an enterprising and pioneering spirit is the key to business growth. Because we share our customers' work ethic, we build machines that perform day in and day out to meet their toughest expectations and quality standards.

Backed by Hyundai Heavy Industries

An international powerhouse across many heavy industries.



Refinery



Shipbuilding



Construction Equipment



Offshore Engineering



Engine and Machinery



Electro Electric Systems



Industrial Plant Engineering



Green Energy



WHEEL LOADER FAMILY Z-BAR LINKAGE

Hyundai HL A-Series wheel loaders are available in standard, extended-reach (XT) and Tool Master (TM) models, with standard capacities ranging from 2.5 to 7.3 yd³ (1.9 to 5.4 m³) buckets. Whatever your need, there's a Hyundai HL A-Series wheel loader with the right combination of power, capacity and efficiency to get the job done.

Standard on all A-Series models, Cummins Performance Series Engines deliver more than a 10-percent increase in power and nearly a 20-percent increase in torque, while using less fuel and meeting international Stage 5 emissions standards.



HL930A

HL930A

Net Power HP / kW Cummins B4.5 130 / 97	Operating Weight kg / lb 11,610 / 25,595	Standard Bucket m ³ / yd ³ 1.9 / 2.50
Tipping Load / Straight kg / lb 9,350 / 20,615	Dumping Clearance* mm / ft 2,700 / 8' 10"	

HL930A XT

Net Power /Cummins B4.5 130 / 97	Operating Weight kg / lb 11,700 / 25,795	Standard Bucket m ³ / yd ³ 1.9 / 2.50
Tipping Load / Straight kg / lb 8,200 / 18,080	Dumping Clearance* mm / ft 3,035 / 9' 11"	



HL940A

HL940A

Net Power HP / kW Cummins B6.7 154 / 115	Operating Weight kg / lb 13,601 / 29,985	Standard Bucket m ³ / yd ³ 2.3 / 3.0
Tipping Load / Straight kg / lb 10,471 / 23,085	Dumping Clearance* mm / ft 2,765 / 9' 1"	

HL940A XT

Net Power HCummins B6.7 154 / 115	Operating Weight kg / lb 13,862 / 30,560	Standard Bucket m ³ / yd ³ 2.3 / 3.0
Tipping Load / Straight kg / lb 8,150 / 17,970	Dumping Clearance* mm / ft 3,370 / 11' 1"	



HL955A

HL955A

Net Power HP / kW Cummins B6.7 197 / 147	Operating Weight kg / lb 16,098 / 35,490	Standard Bucket m ³ / yd ³ 2.8 / 3.7
Tipping Load / Straight kg / lb 11,988 / 26,430	Dumping Clearance* mm / ft 2,785 / 9' 2"	

HL955A XT

Net Power HP / kW Cummins B6.7 197 / 147	Operating Weight kg / lb 16,490 / 36,355	Standard Bucket m ³ / yd ³ 2.8 / 3.7
Tipping Load / Straight kg / lb 20,725 / 9,400	Dumping Clearance* mm / ft 3,360 / 11'	

HL960A

Net Power HP / kW Cummins B6.7 222 / 166	Operating Weight kg / lb 19,831 / 43,720	Standard Bucket m ³ / yd ³ 3.3 / 4.3
Tipping Load / Straight kg / lb 15,792 / 34,815	Dumping Clearance* mm / ft 2,935 / 9' 7.5"	

HL960A XT

Net Power HP / kW Cummins B6.7 222 / 166	Operating Weight kg / lb 20,031 / 44,160	Standard Bucket m ³ / yd ³ 3.3 / 4.3
Tipping Load / Straight kg / lb 12,950 / 28,550	Dumping Clearance* mm / ft 3,365 / 11'	

HL960A



HL965

HL965

Net Power HP / kW Cummins QSL9 269 / 198	Operating Weight kg / lb 20,730 / 45,700	Standard Bucket m ³ / yd ³ 3.6 / 4.7
Tipping Load / Straight kg / lb 16,155 / 35,615	Dumping Clearance* mm / ft 2,955 / 9' 8.3"	



A-Series Available Soon!

HL975



HL975

Net Power HP / kW Cummins QSG12 331 / 247	Operating Weight kg / lb 26,500 / 58,420	Standard Bucket m ³ / yd ³ 4.8 / 6.3
Tipping Load / Straight kg / lb 20,000 / 44,090	Dumping Clearance* mm / ft 3,120 / 10' 3"	

HL980A



HL970A



HL970A

Net Power HP / kW Cummins L9 322 / 240	Operating Weight kg / lb 24,700 / 54,455	Standard Bucket m ³ / yd ³ 4.2 / 5.5
Tipping Load / Straight kg / lb 19,550 / 43,100	Dumping Clearance* mm / ft 3,080 / 10' 1.3"	

HL980A

Net Power HP / kW Cummins X12 351 / 262	Operating Weight kg / lb 31,352 / 69,120	Standard Bucket m ³ / yd ³ 5.6 / 7.3
Tipping Load / Straight kg / lb 24,446 / 53,895	Dumping Clearance* mm / ft 3,300 / 10' 10"	

* Dumping Clearance at maximum height and 45-degree dump angle.

WHEEL LOADER FAMILY TOOL MASTER

Standard, Extended-Reach and Tool Master Models Match Your Needs

HL A-Series wheel loaders are available in our standard, Z-bar linkage configuration, with XT (extended-reach) versions available for applications that require greater reach and higher dump heights. And if you need the versatility of a tool-carrier design, Hyundai offers two models – the HL940TM and HL955TM – with our Tool Master boom design, with parallel linkage for increased lifting capacity, improved load stability, rapid dumping capability and enhanced visibility.

HL930A TM



HL930 TM

Net Power HP / kW Cummins B4.5 130 / 97	Operating Weight kg / lb 11,960 / 26,370	Standard Bucket m ³ / yd ³ 1.9 / 2.5
Tipping Load / Straight kg / lb 8,100 / 17,860	Dumping Clearance* mm / ft 2,785 / 9' 1.7"	

HL940A TM

HL940A TM

Net Power HP / kW Cummins QSB6.7 154 / 116	Operating Weight kg / lb 13,800 / 30,420	Standard Bucket m ³ / yd ³ 2.3 / 3.0
Tipping Load / Straight kg / lb 8,600 / 18,960	Dumping Clearance* mm / ft 2,840 / 9' 3.8"	



HL955A TM



HL955A TM

Net Power HP / kW Cummins QSB6.7 197 / 147	Operating Weight kg / lb 16,500 / 36,380	Standard Bucket m ³ / yd ³ 2.8 / 3.7
Tipping Load / Straight kg / lb 11,000 / 24,255	Dumping Clearance* mm / ft 2,850 / 9' 4"	

WHEEL LOADER FAMILY HD

HEAVY-DUTY MODELS

For customers working in forestry, scrap handling and other tough applications, the Hyundai HL955A and HL965A are available in HD (heavy-duty) versions that include extra-heavy-duty axles and accommodate a full guarding package, including guarding for the cab, underbelly, cylinders and center pivot.



HL955A HD/XT

HL955A HD

Net Power HP / kW Cummins QSB6.7 222 / 166	Operating Weight kg / lb 19,425 / 42,825	Standard Bucket m ³ / yd ³ 3.3 / 4.3
Tipping Load / Straight kg / lb 15,580 / 34,348	Dumping Clearance* mm / ft 2,935 / 9' 7.5"	

HL960A HD/XT

HL960A HD

Net Power HP / kW Cummins QSL9 269 / 198	Operating Weight kg / lb 20,100 / 44,313	Standard Bucket m ³ / yd ³ 3.6 / 4.7
Tipping Load / Straight kg / lb 14,710 / 32,430	Dumping Clearance* mm / ft 2,955 / 9' 8.3"	



PROVEN PERFORMANCE ENHANCED BY INNOVATION

Hyundai HL A-Series wheel loaders are powered by Cummins Performance Series Engines, which deliver up to 10 percent more power and nearly 20 percent more torque, while using less fuel and meeting international Stage 5 emissions standards. Other improvements with the A-Series include quieter operation – just 68 dB in the cab – added safety features and functions like Smart Power that help reduce fuel consumption and increase productivity.

Eco Gauge

Using this function, the operator can monitor fuel consumption in real time or review historical data. Displayed values include engine torque, fuel efficiency, average and total fuel consumed. Hourly and daily fuel consumption also is viewable through the menu.



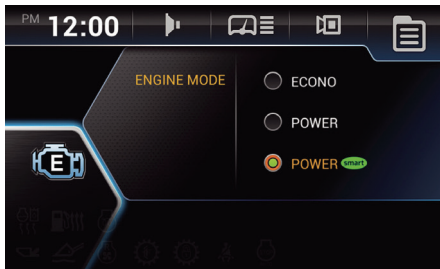
Electro-Hydraulic Control

With improved precision and ease of operation, the electro-hydraulic control system contributes to increased productivity and reduced operator fatigue.



Smart Power Mode

This feature, new with the A-Series, reduces fuel consumption by adjusting the engine speed in heavy-duty applications, such as digging. This can save fuel while also balancing traction and breakout forces for greater productivity.



Accurate Onboard Weighing System

Hyundai's enhanced, proprietary onboard weighing system comes standard on all A-Series models. Accurate to +/- 1 percent, the automatic-manual cumulative weighing function enhances operating efficiency.



FOUR CAMERAS



360° SEAMLESS VIEW

AAVM

Our AAVM system, now enhanced with radar on our A-Series machines, sports four cameras, 360-degree views, and motion detection because risk is easier to avoid when you see it coming. Now enhanced with radar on our A-Series machines.





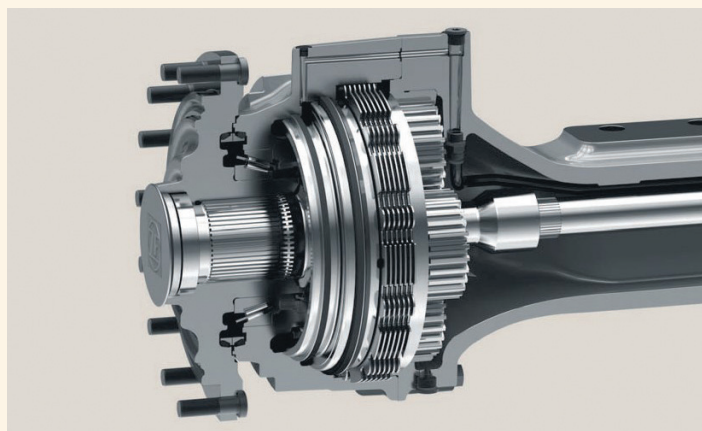
↑
**More
Power,
More
Torque**

**Less
Fuel,
Less
Pollution**
↓



Premium-Quality ZF Axles

State-of-the-art ZF axles are standard throughout the Hyundai HL A-Series. Limited-slip differentials front and rear are standard on the HL940A for ideal versatility in multiple applications. The HL955A, HL960A, HL970A and HL980A models all feature locking front differentials and conventional rear differentials for optimum traction and versatility.



Sintered Brake Disc

The HL A-Series features longer-lasting sintered brake discs designed to produce less heat and vibration, which improves overall brake durability. This service-friendly design contributes to reduced downtime for brake maintenance and reduces overall cost of ownership.



Intelligent, Wide Touchscreen Monitor

The 7" (177 mm) touchscreen display on the HL A-Series automotive-quality provides excellent readability.



Audio System

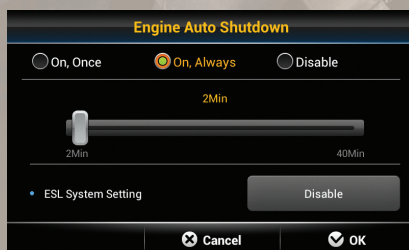
The radio with MP3 functions, the integrated Bluetooth hands-free feature, and the built-in microphone allow for phone calls and for listening to music while in the field.



Electro-Hydraulic Control Lever

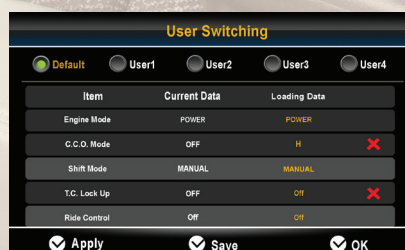
The optional EH control lever, standard on the HL955A and larger Hyundai wheel loaders, facilitates easy operation of attachments, with integrated third-spool proportional control. This improves productivity and minimizes operator fatigue. The HL930A and HL940A, which do not have EH controls, have a smaller lever to the side for third-spool attachment function.

(EH control can be added as a factory option)



Automatic Engine Shut Down (Only with Smart Key Option)

This system turns off the engine when entering idle state to minimize unnecessary fuel consumption and emissions. Operators can select the operating mode and idle time, depending on the work condition, which contributes to overall fuel efficiency.



User Modes

To adapt to different users and operations quickly, four different user modes can be saved within the monitor. Operators can save four different combinations of settings including transmission mode, engine mode and more.



Just
68 dB

Quiet enough for
a conversation



Fully Sealed Engine Room with Tilt-Back Hood

The HL A-Series has improved accessibility to the sealed engine room with a tilt-back hood to allow for easy cleaning and maintenance. The engine compartment was designed to prevent any possibility of fire due to contamination. The wide open access when the hood is open also enhances serviceability of the engine and cooling room.

Centralized and Easy Access to Service Points

All of the service points for the electric and hydraulic systems are located in easy-to-reach areas for optimum accessibility and maintenance.

Engine Air Filter with Increased Service Life

Standard on the HL A-Series are a large-volume air cleaner, automatic dust ejector and pre-cleaner to extend the replacement cycle and improve durability of replacement parts.

BACKED BY THE BEST

When you buy Hyundai, you get:

- Products packed with value – more standard features on every machine
- Knowledgeable, trained and experienced dealer service personnel – more than 75 dealers, serving customers from more than 100 locations across North America
- Industry-leading standard warranty of 3 years or 3,000 hours plus a 5-year, 10,000-hour structural warranty, with optional Hyundai extended warranties
- 98% fill rate for parts orders submitted by dealers on behalf of customers like you
- Five years of Hi-Mate, Hyundai's proprietary remote management system, free with all new Hyundai wheel loaders, allows 24/7 global tracking and monitoring of engine, hydraulics, electrical systems and other key components to facilitate preventive maintenance and reduce downtime.



 **HYUNDAI**
CONSTRUCTION EQUIPMENT

www.hceamericas.com
6100 Atlantic Blvd., Norcross, GA 30071
TEL (678) 823 7777 FAX (678) 823 7778

PLEASE CONTACT