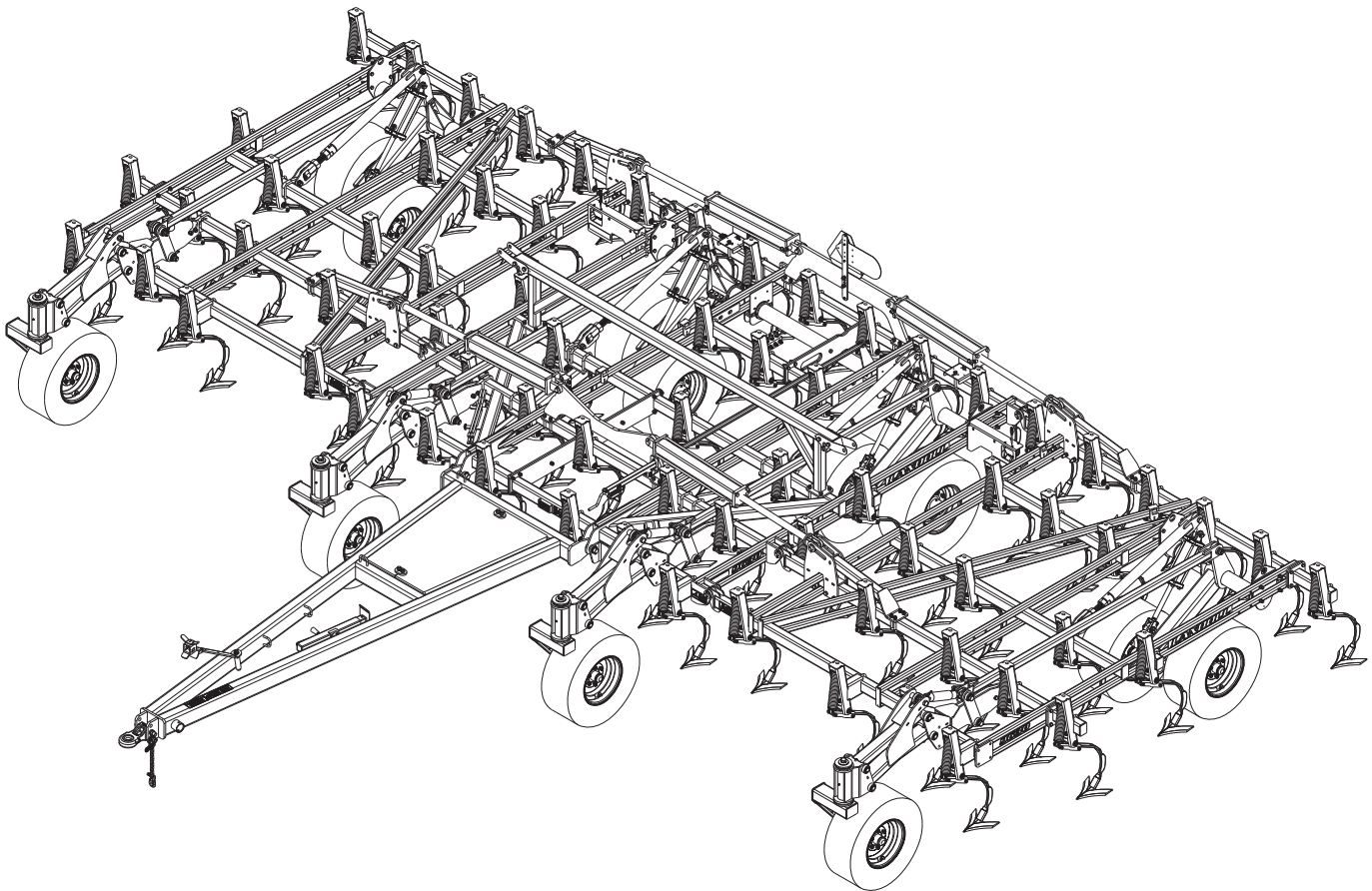




**Model 9630FH
Field Cultivator
Parts Manual**



LANDOLL COMPANY, LLC

1900 North Street

Marysville, Kansas 66508

(785) 562-5381

800-428-5655 ~ WWW.LANDOLL.COM

Manuals for the 9630FH FC

MANUAL NUMBER	MANUAL NAME
F-1105	9630FH FC Operator's Manual
F-1106	9630FH FC Parts Manual

Table of Contents

1 Illustrated Parts List

Instructions for Ordering Parts	1-1
Center Frame Assemblies	1-2
Center Frame Assembly	1-3
Center Frame Lift Assembly	1-5
Walking Beam Assembly 3"	1-6
Radius Rod Assembly	1-7
Hitch Assemblies	1-8
Hitch Assembly	1-9
Ball & Clevis Hitches	1-10
Wing Assembly	1-12
Wing Assembly	1-13
Walking Beam Assembly 2-1/4"	1-15
Hub & Spindle Assemblies	1-16
Hub and Spindle Assembly, 6 Bolt	1-17
Hub and Spindle Assembly, 8 Bolt	1-19
Fold Assemblies	1-20
Center Frame Fold Bracket Assembly	1-21
Depth Stop Tube Assembly	1-23
Gauge Wheel Assemblies	1-24
Front Gauge Wheel Installation	1-25
Front Gauge Wheel Assembly	1-27
Radius Rod Lift Assembly	1-29
Shank Assemblies	1-30
Spring Shank Assembly	1-31
S-Tine Shank Assembly	1-33
Lift Hydraulic Assembly	1-34
Lift Hydraulic Assembly	1-35
Fold Hydraulic Assemblies	1-36
Fold Hydraulic Assembly	1-37
Cylinder Assemblies	1-38
Cylinder - Rephase Assembly 3-3/4 X 10 (1" Clevis Pins)	1-38
Cylinder - Rephase Assembly 4 X 10 (1" Clevis Pins)	1-39
Hydraulic Cylinder 4-1/2" X 30"	1-40
Electrical	1-42
Electrical Assembly W/ LED Lights	1-44
Decals	1-45
Decals	1-47
4 Row Coil Tine Assemblies	1-48
4 Row Coil Tine Harrow Assembly	1-49
Coil Tine Harrow Arm Assembly	1-51
4 Row Coil Tine Harrow Assembly	1-53

3 Row Tine and Reel Harrow Assemblies	1-54
3 Row Tine And Reel Harrow Assembly	1-55
Tine & Reel Arm Assembly	1-57
3 Row Coil Tine Harrow Assembly	1-59
5 Row Spike Harrow Assembly	1-60
5 Row Spike Harrow Assembly	1-61
Arm Assembly 5 Row Spike Harrow	1-63
3 Row Spike and Reel Assembly	1-64
3 Row Spike And Reel Harrow Assembly	1-65
Reel Assembly	1-67
3 RSD and Flat Reel Assemblies	1-68
3 RSD And Flat Reel Assembly	1-69
Flat Reel Assembly	1-71
Spike Bar Assembly, 9 SP	1-73
3 RSD Arm Assembly	1-75
3 RSD Arm Assembly W/O Spring	1-77
Rear Tow Hitch Assembly	1-78
Rear Tow Hitch Assembly	1-79

2 Index

Illustrated Parts List

Instructions for Ordering Parts

**** Repair parts must be ordered through an authorized dealer ****

DEALER INSTRUCTIONS FOR ORDERING PARTS FROM LANDOLL PARTS DISTRIBUTION CENTER

PHONE #: 800-423-4320 OR 785-562-5381

FAX #: 888-527-3909

ORDER ONLINE: Dealer.landoll.com

IDENTIFICATION PLATE AND QR CODE

See Figure 1-1 for the Identification Plate, which lists the model and serial number of the equipment. It is located on the right front side of the 9630FH Field Cultivator. *See Figure 1-1* for the QR Code Decal, may be scanned to view manual on Landoll Website. It is located beside the Identification Plate.

SERIAL NUMBER NOMENCLATURE

The serial number for the 9630FH Field Cultivator is located on the identification plate.

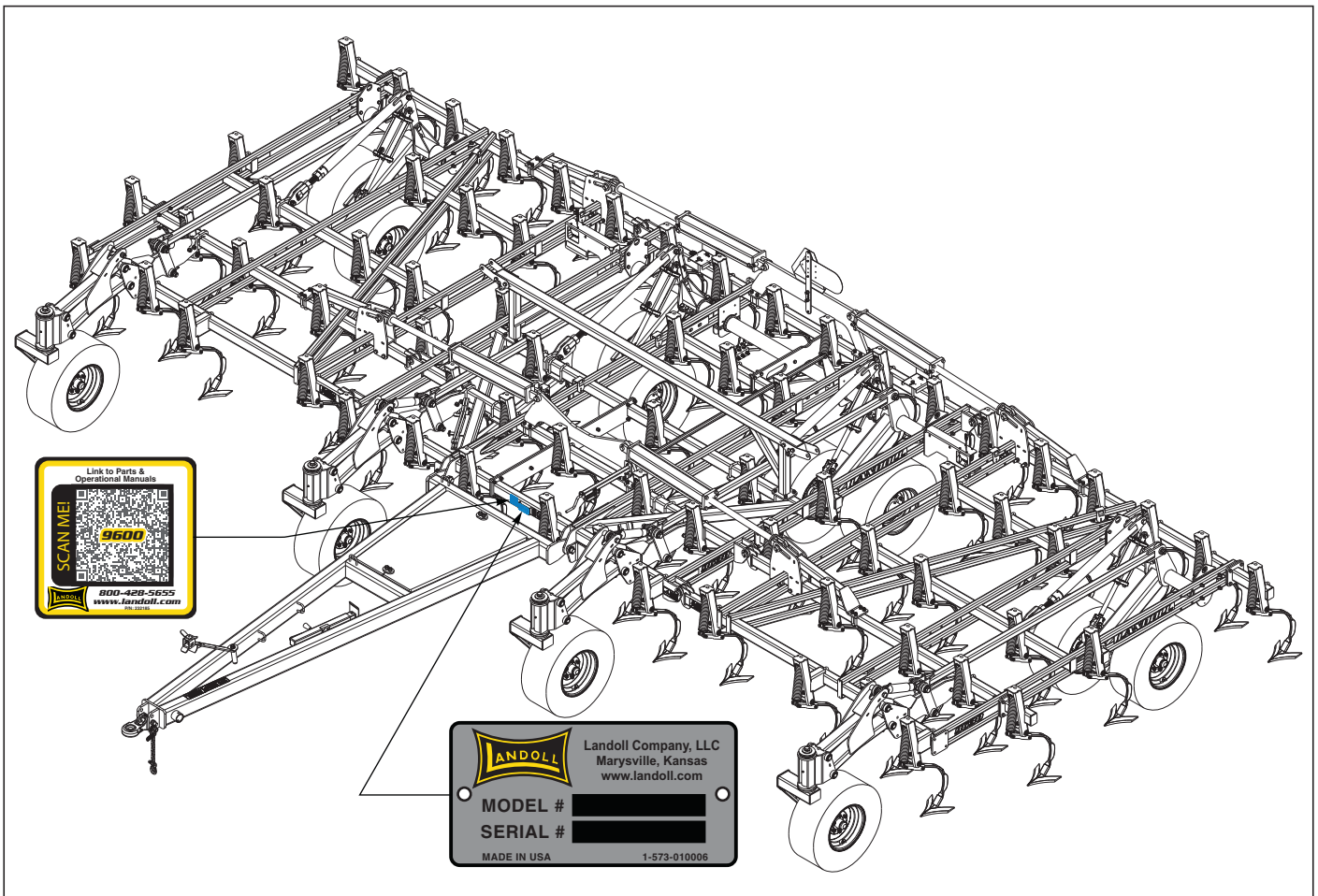


Figure 1-1: Identification Plate and QR Code

Center Frame Assemblies

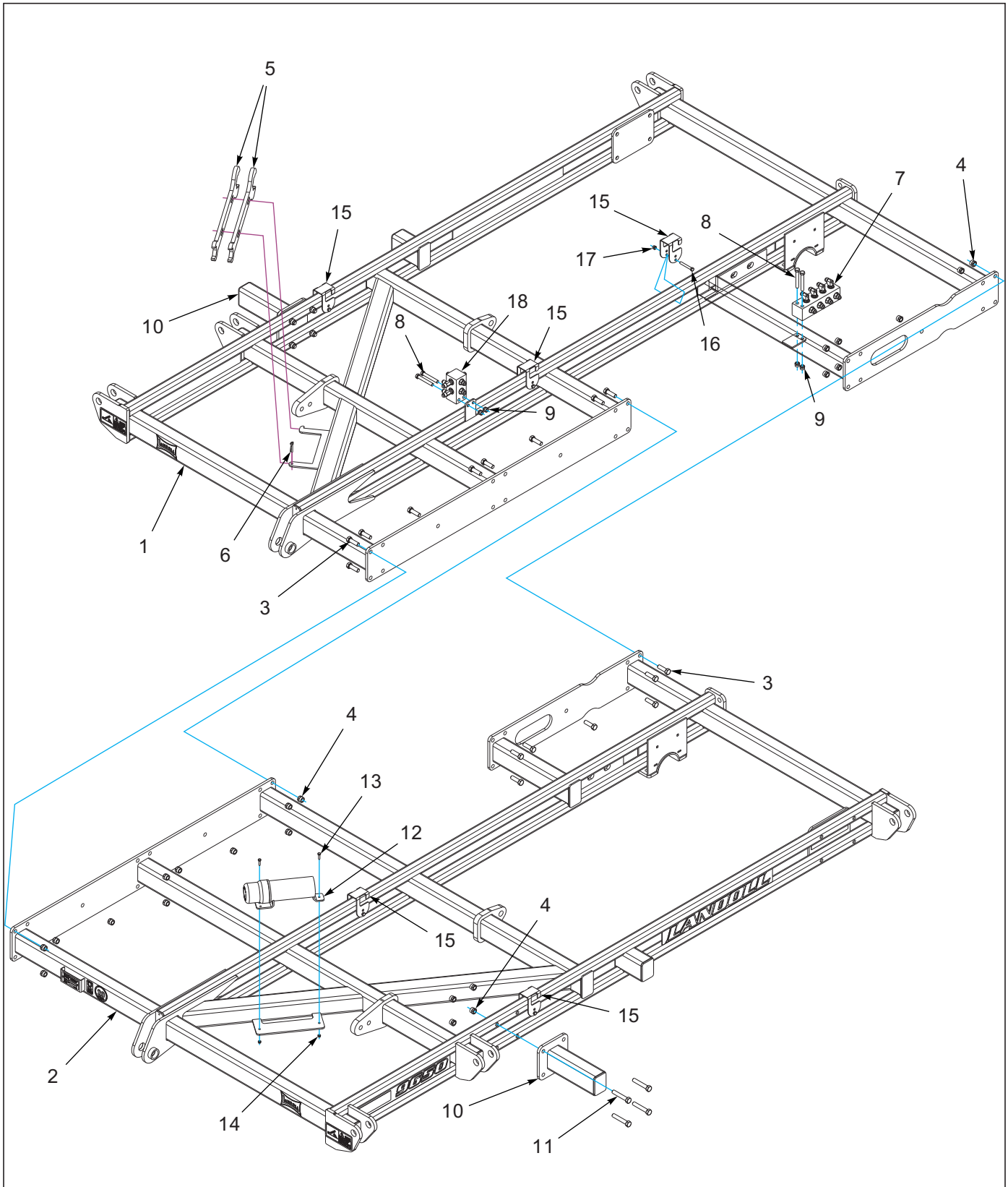


Figure 1-2: Center Frame Assembly

Center Frame Assembly

ITEM	PART NO.	DESCRIPTION	QTY.
1	164215	FRAME WLDMT RH CENTER 12-1/2'	1
2	164216	FRAME WLDMT LH CENTER 12-1/2'	1
3	1-654-010059-05	SCREW,HEX CAP,5/8-11UNCX2 GR5	23
4	1-512-010005-13	NUT,HEX SLFLKG GRB 5/8-11	31
5	141109	WRENCH, ADJUSTMENT	2
6	70239854	PIN QUICK HITCH	1
7	166252	MANIFOLD ASSY LIFT/FOLD	1
8	1-654-010055-11	SCREW,HX CP 1/2-13UNCX3-1/2	4
9	1-512-010005-09	NUT,HEX,SLFLKG, 1/2-13 GRB	4
10	164200	EXTENSION, SHANK 12"	2
11	1-654-010059-11	SCREW,HX CP 5/8-11UNCX3.5GR5	8
12	142753	MANUAL HOLDER	1
13	1-654-010047-06	SCREW,HX CP 1/4-20UNCX1 GR5	2
14	1-512-010005-01	NUT,HEX,SLFLKG GRB 1/4-20	2
15	164295	CLAMP, HOSE	5
16	1-654-010051-12	SCREW,HEX CAP,3/8-16UNCX2-3/4	5
17	1-512-010005-05	NUT, HEX, SLFLKG GRB 3/8-16	5
18	166253	MANIFOLD ASSY FOLD	1

ILLUSTRATED PARTS LIST

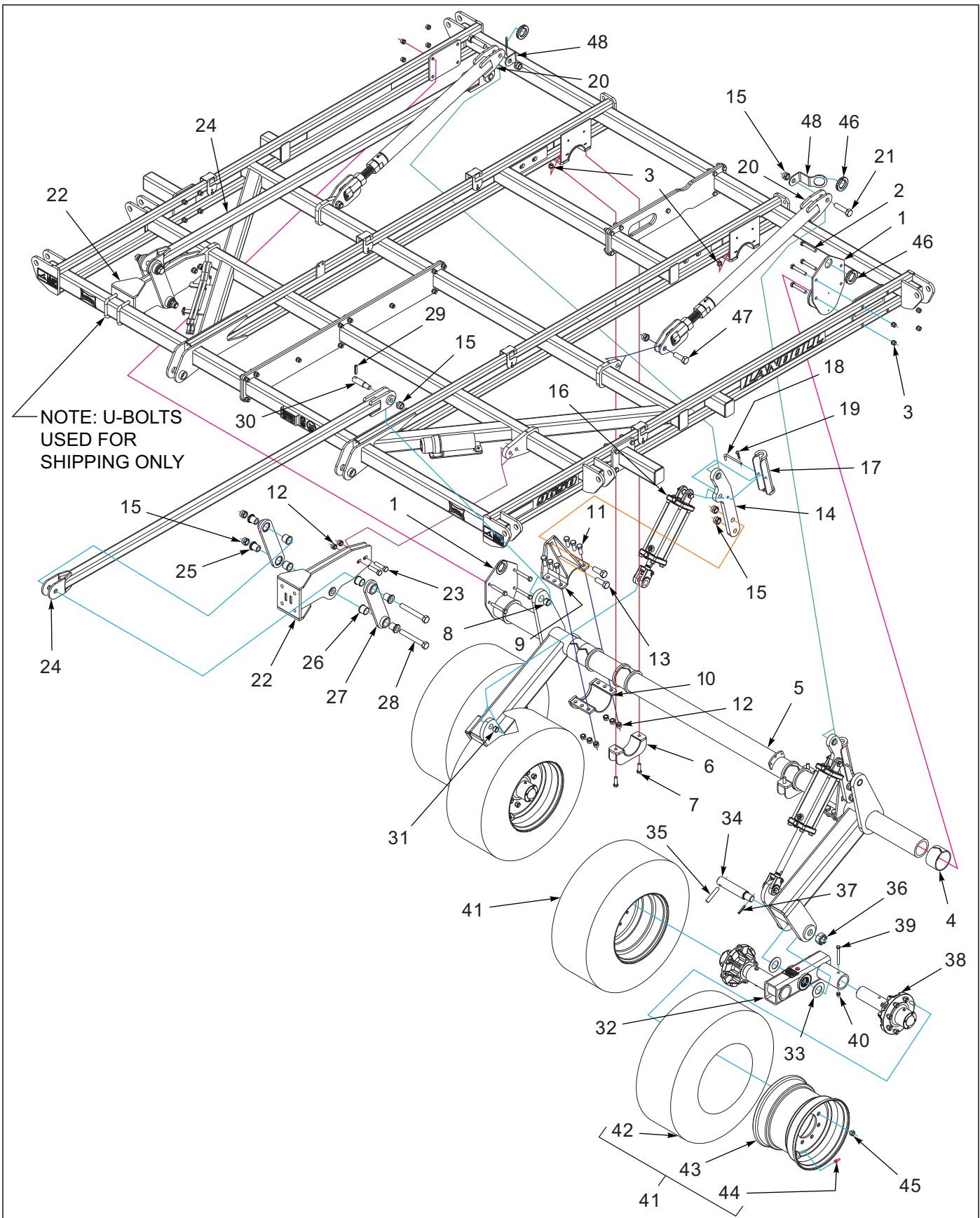


Figure 1-3: Center Frame Lift Assembly

Center Frame Lift Assembly

ITEM	PART NO.	DESCRIPTION	QTY.
1	162845	BEARING CAP 4-1/2 WLDMT	2
2	1-654-010059-13	SCREW HEX CAP 5/8-11X4UNC GR5	8
3	1-512-010005-13	NUT,HEX SLFLKG GRB 5/8-11	12
4	164175	BEARING UHMW 4-1/2X3W	6
5	227689	LIFT, CENTER 12-1/2' WLDMT	1
6	164186	MOUNT, LIFT BEARING WLDMT	2
7	1-654-010059-05	SCREW,HEX CAP,5/8-11UNCX2 GR5	4
8	2-150-010174	BUSHING,1-5/8X1-1/4X1	2
9	227646	BEARING, HOUSING WLDMT	2
10	227648	CLAMP, BEARING WLDMT	2
11	1-654-010061-05	SCREW,HHX,3/4-10UNCX2,GR5,ZP	12
12	1-512-010005-15	NUT,HEX,SLFLKG GRB 3/4-10	14
13	1-654-010065-08	SCREW,HX CP 1-8UNC X 2-3/4GR5	2
14	161531	ARM, CYLINDER	2
15	1-512-010005-19	NUT 1-8 HEX SLF-LOCKING GRB	14
16	140470	CYLINDER 4X10 REPHASE	2
17	141274	LOCKOUT, 1-3/8 ROD X 10 WLDMT	2
18	104358	L PIN,CYL STOP	2
19	1-557-010403	HAIRPIN 1/8	2
20	227645	ASSY, RAD ROD (SEE PAGE 1-7)	2
21	1-654-010065-13	SCREW, HX CP 1-8UNC X 4 GR5	2
22	227631	MOUNT, GAUGE WHEEL EXT WLDMT	2
23	1-654-010061-09	SCREW HX CP 3/4-10UNCX3 GR5	4
24	224697	LIFT TUBE, GAUGE WHEEL WLDMT	2
25	227640	BUSHING, GAUGE WHEEL	8
26	140599	BEARING, FLANGE 1-1/2"	8
27	227637	LINK, GAUGE WHEEL WLDMT	4
28	100856	SCREW,HHCS,1-8X7-1/2 GR5	4
29	141251	SPRING PIN,SLOTTED 1/2X2-1/4	2
30	193754	PIN, 1-1/4 X 2-3/4, STEP	2
31	2-150-010008	BUSHING 1-1/4ODX1IDX1 STEEL	2
32	198346	WALKING BEAM ASSY 3" (SEE PAGE 1-6)	2
33	171070	WASHER, THRUST 2	4
34	164277	SPINDLE, WALKING BEAM	2
35	156992	PIN, WALKING BEAM SPINDLE	2
36	119118	NUT 1-1/2-12UNF HEX SLOTTEDZP	2
37	127712	PIN SPRING SLOTTED 3/8X2-1/4	2
38	223440	ASSY, 8 BOLT HUB & SPINDLE (SEE PAGE 1-19)	4
39	1-654-010055-14	SCREW,HX CP,1/2-13UNCX4-1/2G5	4
40	1-512-010005-09	NUT,HEX,SLFLKG, 1/2-13 GRB	4
41	184708	TIRE ASSY,320/70R15,8 BOLTWHL (INCLUDES ITEMS 42-44)	4
42	204385	FIRESTONE RADIAL 320/70R15	4
43	140548	WHEEL, 15 X 10 LB 8 BOLT	4
44	TR575	VALVE STEM TUBELESS TIRE	4
45	102600	NUT,WHEEL BOLT, 5/8	4
46	1-822-010001	TRIM 1350 3/8BLK FINE PEBBLE (CUT TO LENGTH)	
47	3J608	SCREW, HX CP 1-8UNC X 3 GR5	2
48	235339	MOUNT, HYD HOSE	2

ILLUSTRATED PARTS LIST

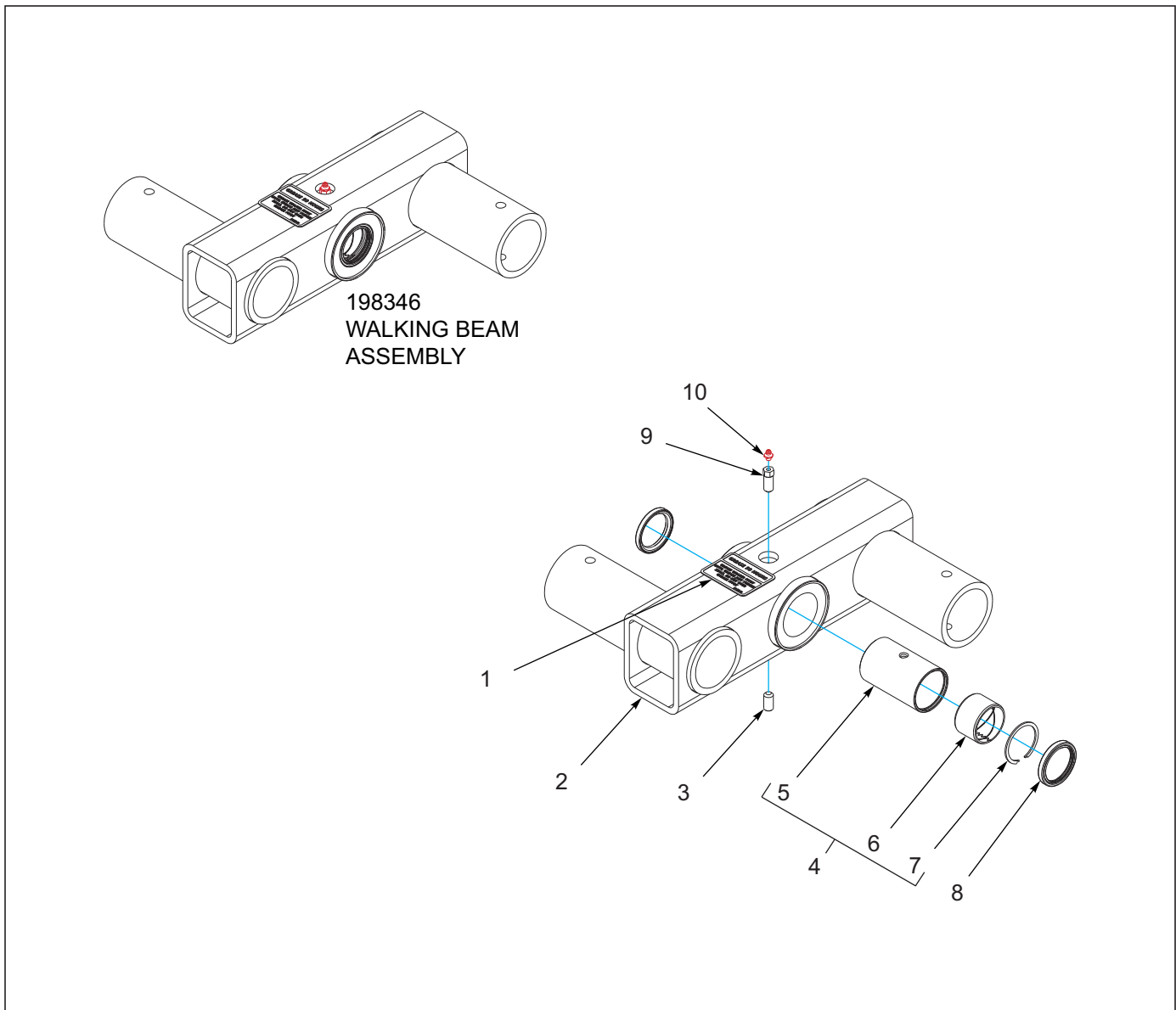


Figure 1-4: Walking Beam Assembly 3”

Walking Beam Assembly 3”

ITEM	PART NO.	DESCRIPTION	QTY.
--	198346	WALKING BEAM ASSY 3"	
1	215341	DECAL, GREASE WALKER	1
2	198347	WALKING BEAM WLDMT 3"	1
3	15G816ER	SCREW SET SOC HD CPPT.5-13X1	1
4	228187	ASSY, PIVOT 2 X 4 CONNEX (INCLUDES 5-7)	1
5	228190	BUSHING, 2X4 W/ SNAP RING	1
6	130052	BUSHING, SPRING 2-1/4X2X1-1/2	2
7	228193	SNAP RING, INTERNAL - 2-1/4	2
8	198322	SEAL, V17, DOUBLE LIP 2"	2
9	212046	SCREW, SET FOR ZERK	1
10	1-298-010001-1	ZERK FITTING 1/4 SAE	1

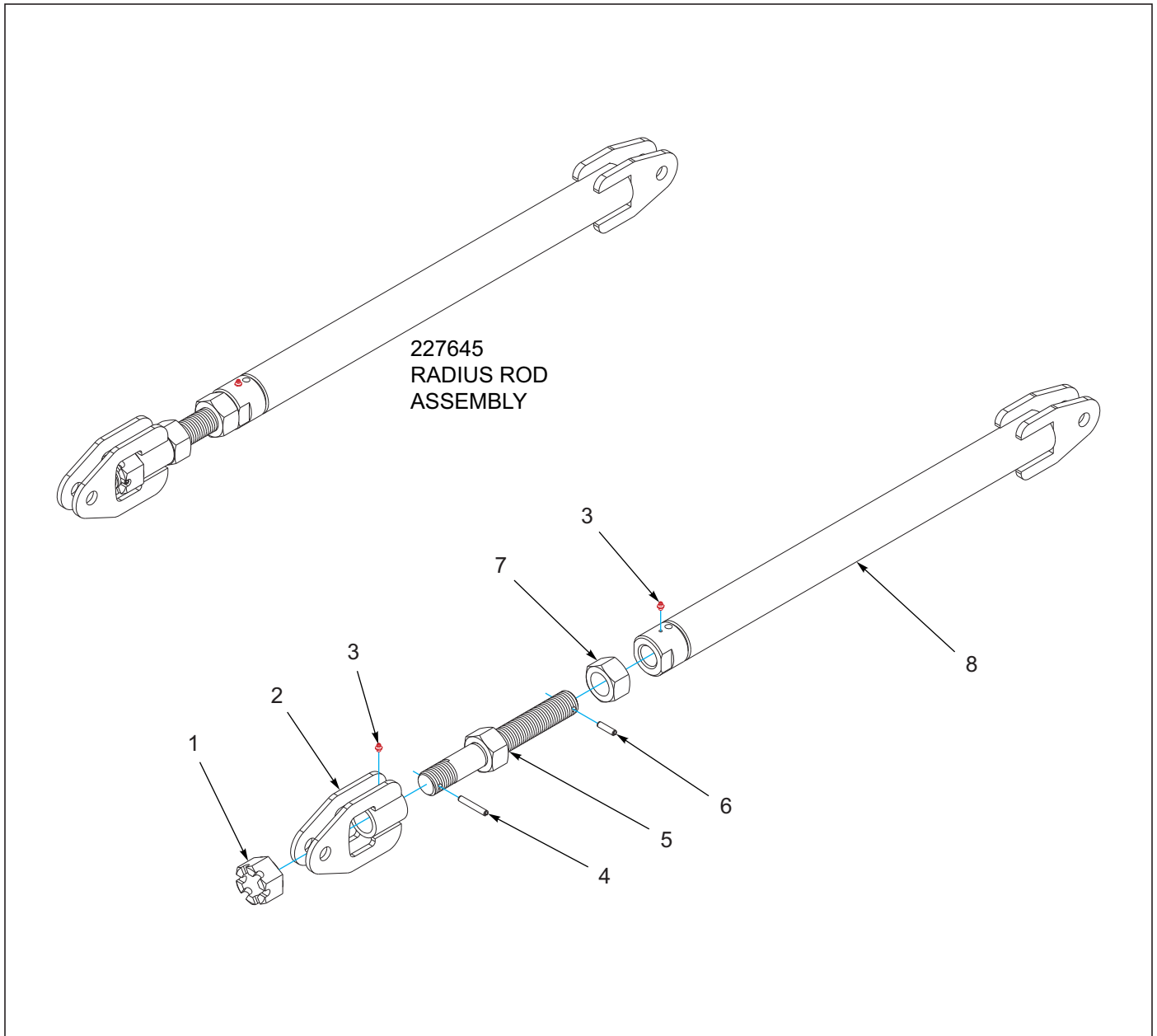


Figure 1-5: Radius Rod Assembly

Radius Rod Assembly

ITEM	PART NO.	DESCRIPTION	QTY.
--	227645	ASSY, RAD ROD	
1	23085	NUT HEX SLOTTED 1 3/4-5	1
2	227675	MOUNT, LIFT ARM WLDMT	1
3	1-298-010001-1	ZERK FITTING 1/4 SAE	2
4	1-647-010004257	PIN,SPRING,SLOTTED 3/8X2-1/2	2
5	227679	SCREW, ADJUSTMENT WLDMT	1
6	0600-375-01500	PIN ROLL 3/8X1-1/2	1
7	159954	NUT HEX 1-3/4-5UNC GR2	1
8	227680	TUBE, RAD ROD WLDMT	1

Hitch Assemblies

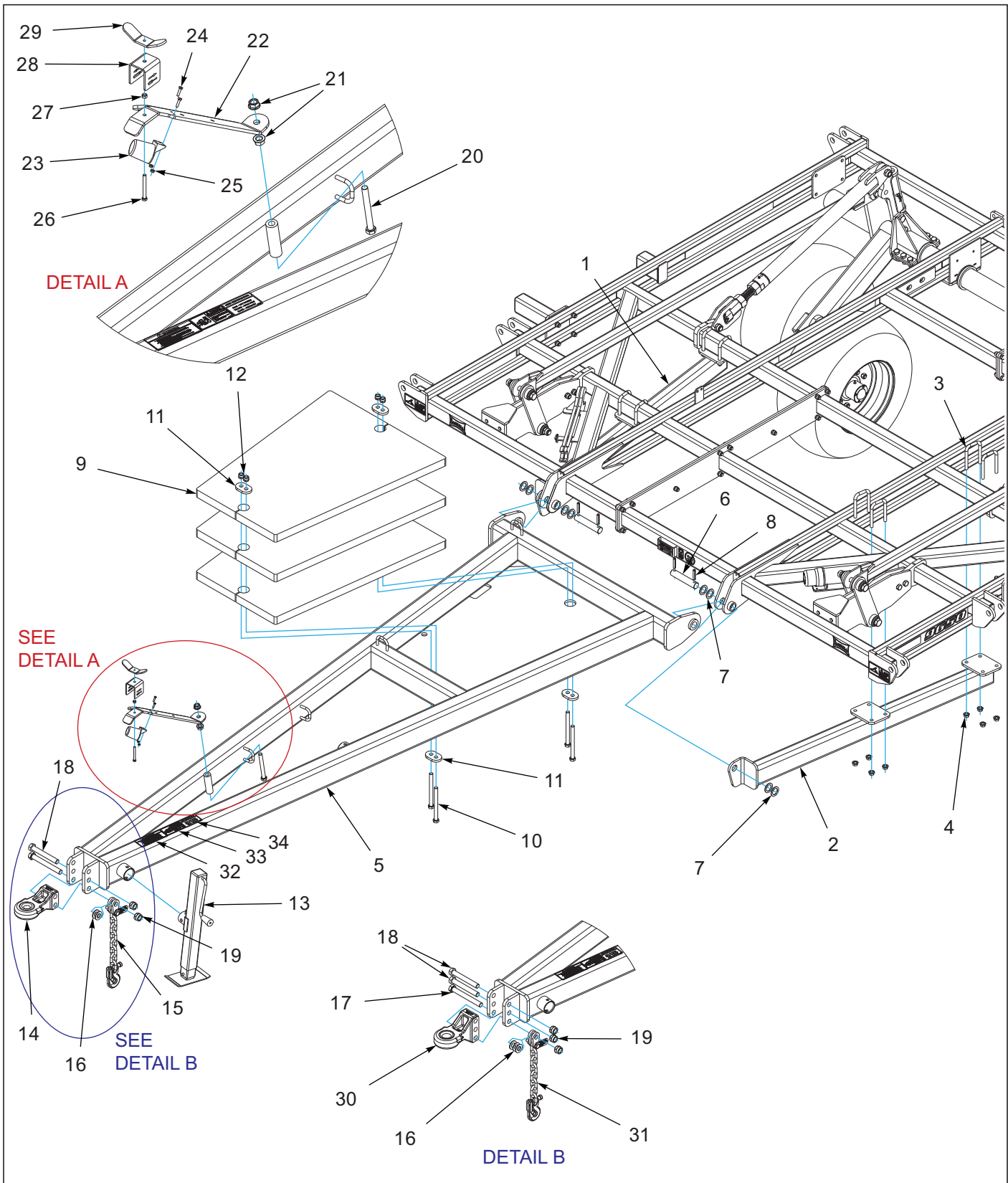


Figure 1-6: Hitch Assembly

Hitch Assembly

ITEM	PART NO.	DESCRIPTION	QTY.	
--	227655	HITCH ASSY, CAT III FH (INCLUDES ITEMS 5, 9, 10, 11, 12, 14, 15, 16, 18, 19, 32, 33, 34)	*	
--	227656	HITCH ASSY, CAT IV FH (INCLUDES ITEMS 5, 9, 10, 11, 12, 16, 18, 19, 30, 31, 32, 33, 34)		*
1	227686	BRACE, HITCH RIGHT WLDMT	1	1
2	227687	BRACE, HITCH LEFT WLDMT	1	1
3	2-102-010054	U-BOLT	8	8
4	1-512-010005-13	NUT,HEX SLFLKG GRB 5/8-11	16	16
5	227657	HITCH, CULTIVATOR WLDMT	1	1
6	2P377	PIN, 1.44 X 7.25 H2	2	2
7	170258	BUSHING, MACHINE 1-1/2 X 10 GA	8	8
8	172802	PIN SPRING SLOTTED 1/2X2-1/2	4	4
9	227665	PLATE, WEIGHT HITCH	3	3
10	1-654-010061-22	SCREW,HEX CAP,3/4-10UNCX8-1/2	4	4
11	176766	PLATE, WEIGHT LOCK	4	4
12	1-512-010005-15	NUT,HEX,SLFLKG GRB 3/4-10	4	4
13	140647	JACK, SIDE WIND 7000/8000 LB	1	1
14	177030	HITCH, BALL CAT III	1	--
15	141434	SAFETY CHAIN 21,000LB	1	--
16	1-861-010032-24	WASHER FL 1IN NARROW ZP	2	3
17	1-654-010125-22	SCREW HX CP 1-8UNCX8-1/2G8ZP	--	2
18	153696	BOLT, HITCH CLEVIS	2	2
19	1-512-010005-19	NUT 1-8 HEX SLF-LOCKING GRB	2	3
20	1-654-010061-19	SCREW,HX CP 3/4-10UNCX7 GR5	1	1
21	103841	NUT,FLG,LNK,SERRATED 3/4-10UNC	2	2
22	200829	BRACKET, HOSE HOLDER	1	1
23	2-368-010287	HARNESS, STOR-A-WAY	1	1
24	1-654-010047-06	SCREW,HX CP 1/4-20UNCX1 GR5	2	2
25	1-512-010005-01	NUT,HEX,SLFLKG GRB 1/4-20	2	2
26	141807	SCREW 3/8-16UNCX3-1/2 ALLTHRD	1	1
27	1-512-010007-07	NUT, HEX 3/8-16 GR2 ZP	1	1
28	141247	CLAMP, HOSE HOLDER	1	1
29	141249	WING NUT, HOSE HOLDER	1	1
30	189451	HITCH, BALL CAT IV 3-HOLE	--	1
31	156950	SAFETY CHAIN, 41,000 LB	--	1
32	8-573-010084	DECAL WARNING BEFORE OPERATG	1	1
33	141597	DECAL, DANGER ELECTROCUTION	1	1
34	155523	DECAL, HOSE IDENTIFICATION	1	1

ILLUSTRATED PARTS LIST

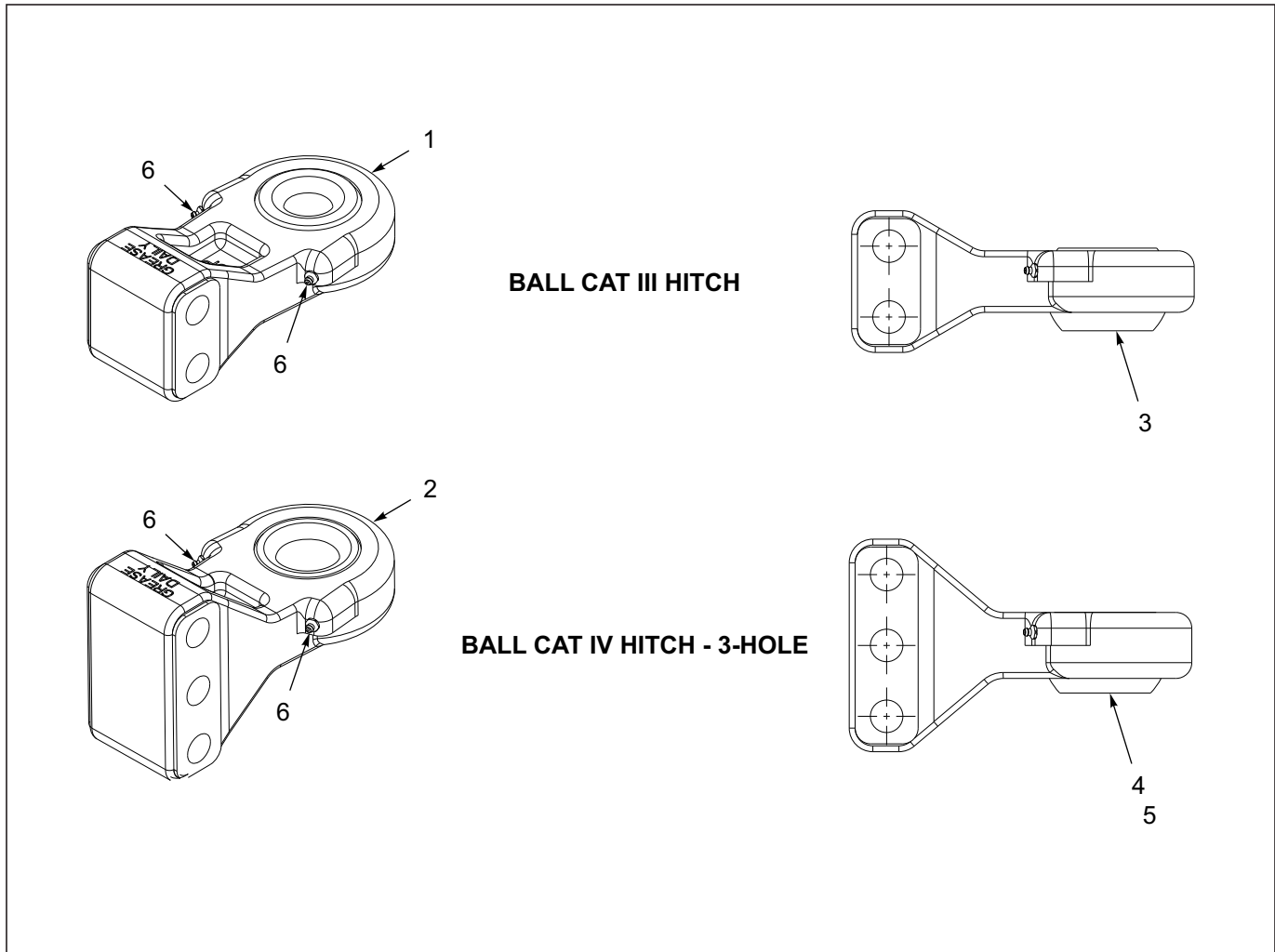


Figure 1-7: Ball & Clevis Hitches

Ball & Clevis Hitches

ITEM	PART NO.	DESCRIPTION	QTY.
1	177030	HITCH, BALL CAT III (INCLUDES ITEMS 3, 6)	1
2	189451	HITCH, BALL CAT IV 3-HOLE (INCLUDES ITEMS 5, 6)	1
3	189453	BUSHING, SPHERICAL 1-1/2 ID	1
4	189453	BUSHING, SPHERICAL 1-1/2 ID (OPTIONAL)	1
5	189454	BUSHING, SPHERICAL 2 ID (STANDARD)	1
6	1-298-010001-1	ZERK FITTING 1/4 SAE	1

Wing Assembly

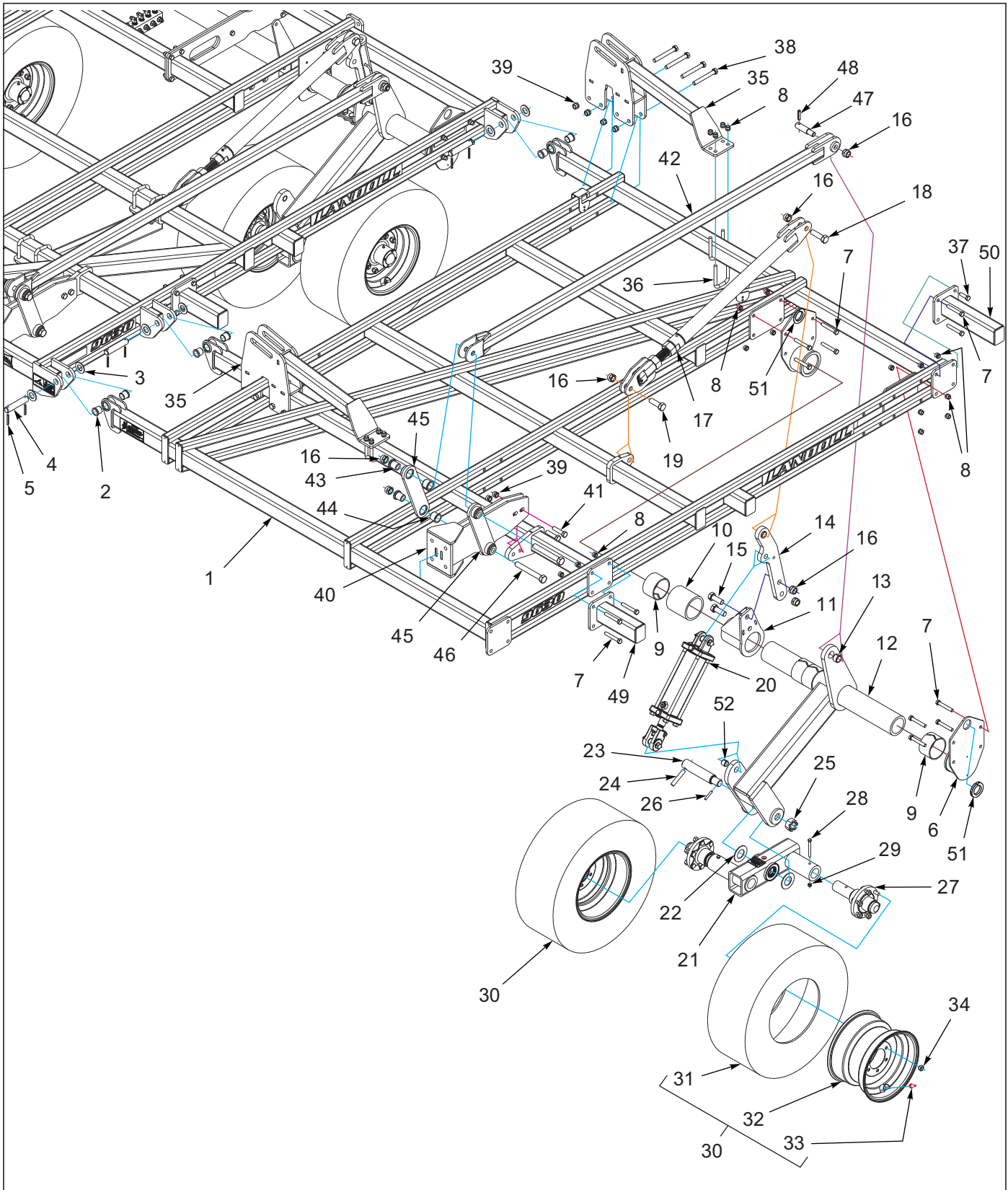


Figure 1-8: Wing Assembly 9630FH'

Wing Assembly

ITEM	PART NO.	DESCRIPTION	QTY.
1	164220	FRAME WLDMT WING LEFT 10' (SHOWN)	1
1	164219	FRAME WLDMT WING RIGHT 10'	1
2	168787	BEARING, FLANGE 1-1/4 X 1-3/8L	12
3	116100	WASHER 1-1/4 NAR FL ZP/CD	12
4	141244	PIN, FOLD	6
5	1-647-010004240	PIN,SPRING,SLOTTED,5/16X2-1/2	12
6	162845	BEARING CAP 4-1/2 WLDMT	4
7	1-654-010059-13	SCREW HEX CAP 5/8-11X4UNC GR5	20
8	1-512-010005-13	NUT,HEX SLFLKG GRB 5/8-11	40
9	164175	BEARING UHMW 4-1/2X3W	8
10	166156	SPACER, BEARING HOUSING	2
11	164256	BEARING, HOUSING WLDMT	2
12	227691	LIFT, WING LEFT WLDMT (SHOWN)	1
12	227690	LIFT, WING RIGHT WLDMT	1
13	2-150-010174	BUSHING,1-5/8X1-1/4X1	4
14	161531	ARM, CYLINDER	2
15	1-654-010065-08	SCREW,HX CP 1-8UNC X 2-3/4GR5	4
16	1-512-010005-19	NUT 1-8 HEX SLF-LOCKING GRB	14
17	227645	ASSY, RAD ROD	2
18	151508	SCREW HX CP 1-8UNCX3-1/2 GR5	2
19	3J608	SCREW, HX CP 1-8UNC X 3 GR5	4
20	140471	CYLINDER 3-3/4X10 REPHASE (SEE PAGE 1-38)	2
21	199362	WALKING BEAM ASSY 2-1/4 MF (SEE PAGE 1-15)	2
22	171070	WASHER, THRUST 2	4
23	164277	SPINDLE, WALKING BEAM	2
24	156992	PIN, WALKING BEAM SPINDLE	2
25	119118	NUT 1-1/2-12UNF HEX SLOTTEDZP	2
26	127712	PIN SPRING SLOTTED 3/8X2-1/4	2
27	164352	HUB ASSY, 6BOLT 2-1/4 SPINDLE	4
28	141809	SCREW HX CP7/16-14UNC X 4 GR5	4
29	101988	NUT,HEXSLF-LKG 7/16-14 GRB	4
30	142650	TIRE/WHEEL ASSY 280/70R15 (INCLUDES ITEMS 31-33)	4
31	204384	FIRESTONE RADIAL 280/70R15	4
32	140547	WHEEL, 15 X 10 LB 6 BOLT	4
33	415	VALVE STEM	4
34	210606	WHEEL NUT 9/16-18UNF	24
35	229096	MOUNT, FOLD CYLINDER WLDMT	4
36	2-102-010054	U-BOLT	8
37	1-654-010059-05	SCREW,HEX CAP,5/8-11UNCX2 GR5	12
38	W908409-4	SCREW 3/4-10X6 HEX HD CAP	16
39	1-512-010005-15	NUT,HEX,SLFLKG GRB 3/4-10	20
40	227631	MOUNT, GAUGE WHEEL EXT WLDMT	2
41	1-654-010061-09	SCREW HX CP 3/4-10UNCX3 GR5	4
42	224697	LIFT TUBE, GAUGE WHEEL WLDMT	2
43	227640	BUSHING, GAUGE WHEEL	8
44	140599	BEARING, FLANGE 1-1/2"	8
45	227637	LINK, GAUGE WHEEL WLDMT	4
46	100856	SCREW,HHCS,1-8X7-1/2 GR5	4
47	193754	PIN, 1-1/4 X 2-3/4, STEP	2

ILLUSTRATED PARTS LIST

Wing Assembly

ITEM	PART NO.	DESCRIPTION	QTY.
48	141251	SPRING PIN,SLOTTED 1/2X2-1/4	2
49	164200	EXTENSION, SHANK 12"	2
50	164201	EXTENSION, SHANK 16" WLDMT	2
51	1-822-010001	TRIM 1350 3/8BLK FINE PEBBLE (CUT TO LENGTH)	
52	2-150-010008	BUSHING 1-1/4ODX1IDX1 STEEL	2

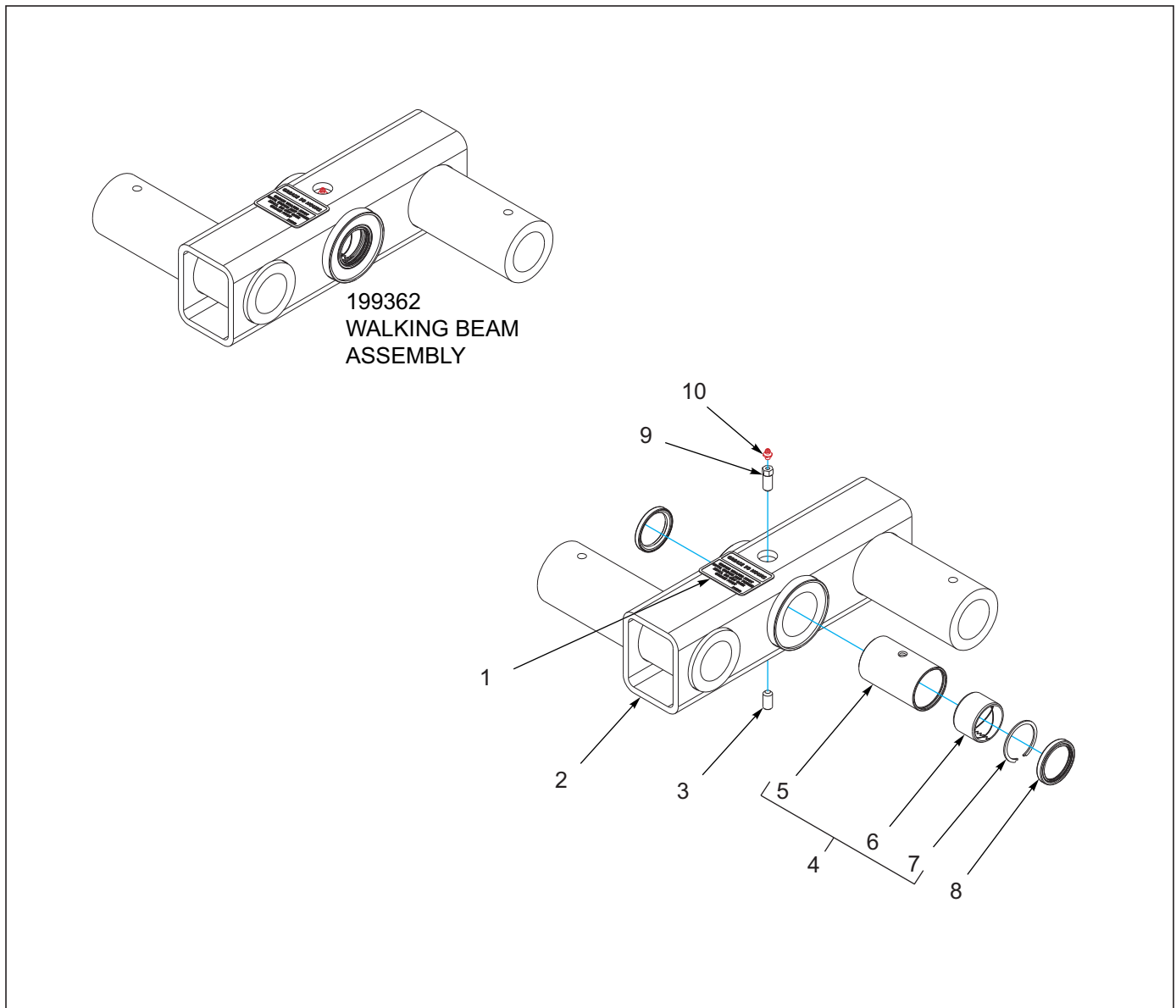


Figure 1-9: Walking Beam Assembly 2-1/4”

Walking Beam Assembly 2-1/4”

ITEM	PART NO.	DESCRIPTION	QTY.
--	199362	WALKING BEAM ASSY 2-1/4 MF	
1	215341	DECAL, GREASE WALKER	1
2	199363	WALKING BEAM WLD 2-1/4 SPINDLE	1
3	15G816ER	SCREW SET SOC HD CPPT.5-13X1	1
4	228187	ASSY, PIVOT 2 X 4 CONNEX (INCLUDES 5-7)	1
5	228190	BUSHING, 2X4 W/ SNAP RING	1
6	130052	BUSHING, SPRING 2-1/4X2X1-1/2	2
7	228193	SNAP RING, INTERNAL - 2-1/4	2
8	198322	SEAL, V17, DOUBLE LIP 2"	2
9	212046	SCREW, SET FOR ZERK	1
10	1-298-010001-1	ZERK FITTING 1/4 SAE	1

Hub & Spindle Assemblies

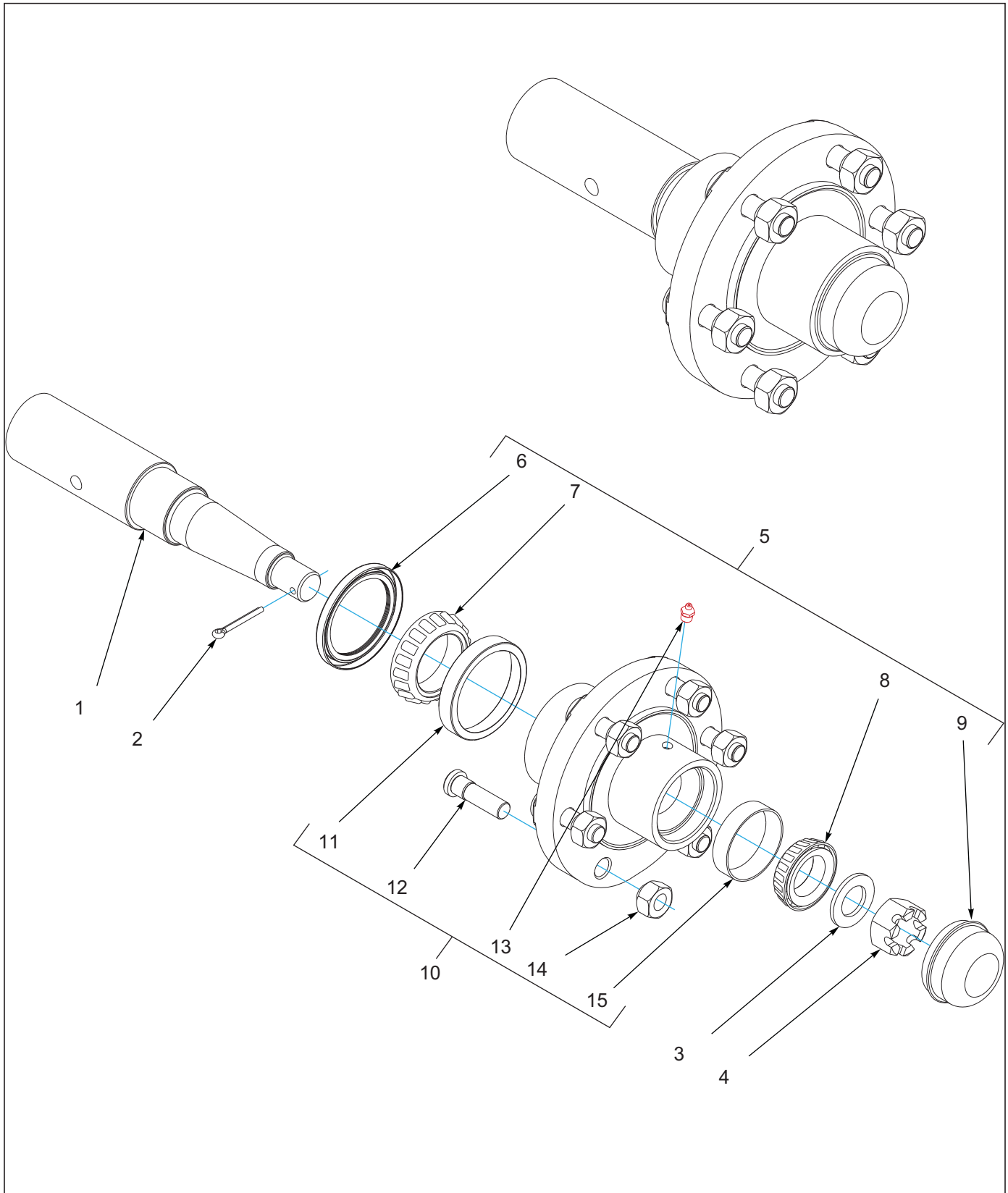


Figure 1-10: Hub and Spindle Assembly, 6-Bolt

Hub and Spindle Assembly, 6 Bolt

ITEM	PART NO.	DESCRIPTION	QTY.
--	164352	HUB ASSY, 6BOLT 2-1/4 SPINDLE	
1	164349	SPINDLE 2-1/4	1
2	1-557-010362-51	PIN, COTTER 3/16X1-1/2	1
3	141238	WASHER, SPINDLE	1
4	1-516-010001-20	NUT, HX SLOT 1-14	1
5	141866	HUB ASSY SIX BOLT (INCL. ITEMS 6-10)	1
6	140554	SEAL GREASE	1
7	102498	BEARING CONE, OUTER, 1.625	1
8	1-076-010007	CONE INNER	1
9	141236	DUST CAP, WHEEL HUB	1
10	140645	HUB W/CUPS, SIX BOLT (INCL. ITEMS 11-15)	1
11	102604	BEARING CUP, OUTER	1
12	143066	STUD BOLT 9/16-18	6
13	5000	ZERK FITTING 1/8NPT	1
14	210606	WHEEL NUT 9/16-18UNF	6
15	1-076-010010	CUP INNER	1

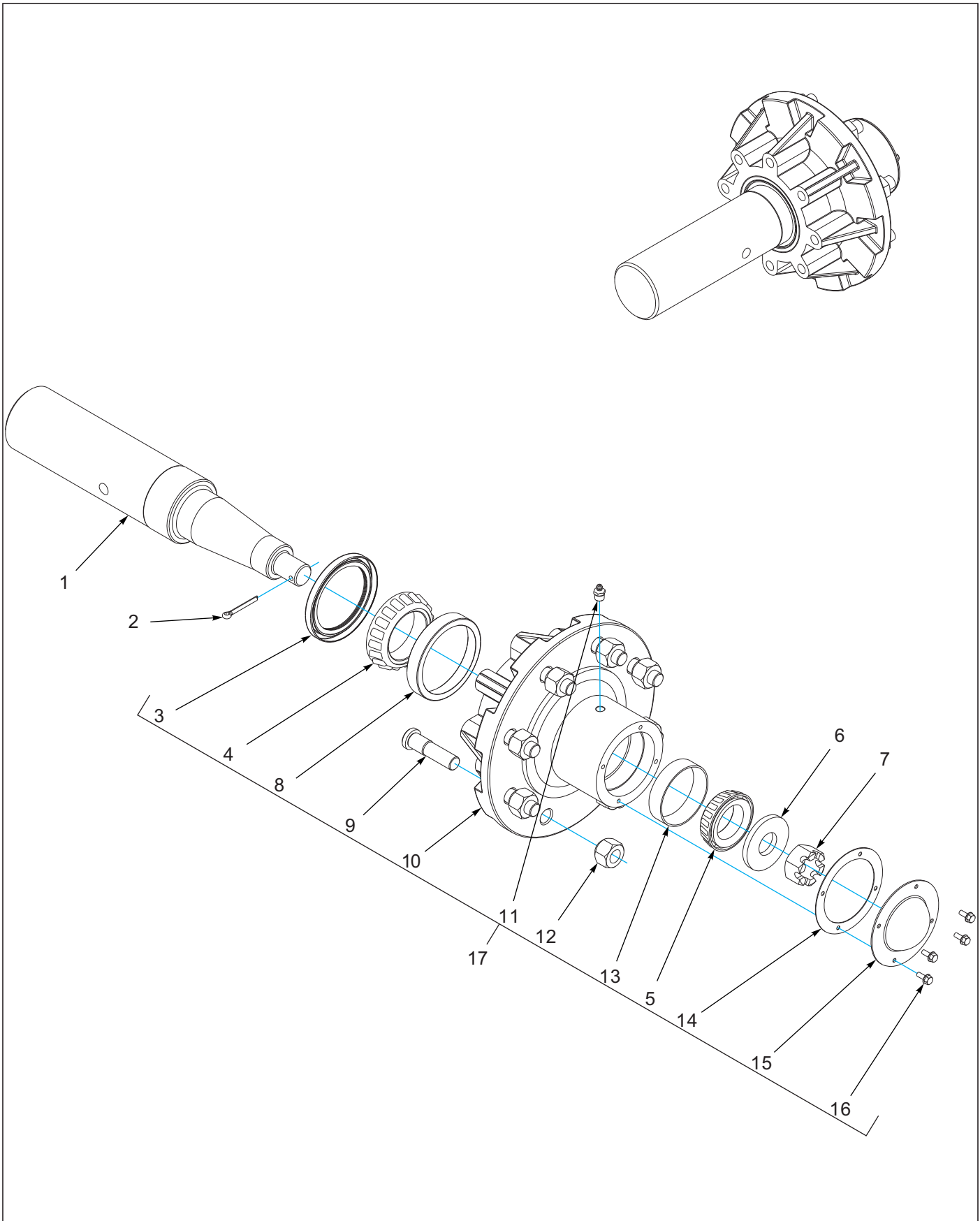


Figure 1-11: Hub and Spindle Assembly, 8 Bolt

Hub and Spindle Assembly, 8 Bolt

ITEM	PART NO.	DESCRIPTION	QTY.
--	223440	ASSY, 8 BOLT HUB & SPINDLE	
1	156973	SPINDLE 3 X 16-1/2	1
2	1-557-010362-51	PIN, COTTER 3/16X1-1/2	1
3	193089	SEAL, PURGABLE 4 OD X 3 ID	1
4	156979	CONE BEARING - 387AS	1
5	102498	BEARING CONE, OUTER, 1.625	1
6	1-861-010005	WASHER, SPINDLE 1	1
7	1-516-010001-20	NUT, HX SLOT 1-14	1
8	111962	OUTER BEARING CUP L20HD#382A	1
9	4001060	HUB 75-8 BOLTS 5/8-18 STUD	8
10	223435	HUB ASSY W/ CUPS, GASKET, CAP (INCLUDES ITEMS 8, 9, 11-16)	1
11	5000	ZERK FITTING 1/8NPT	1
12	102600	NUT, WHEEL BOLT, 5/8	8
13	102604	BEARING CUP, OUTER	1
14	223439	GASKET, DUST CAP	1
15	223437	DUST CAP, BOLT ON	1
16	223438	SCREW, 10-32X1/2 HEX FLANGE	4
17	168859	HUB ASSY, EIGHT BOLT (INCLUDES ITEMS 3-5, 8-16) (SERVICE KIT ONLY)	

Fold Assemblies

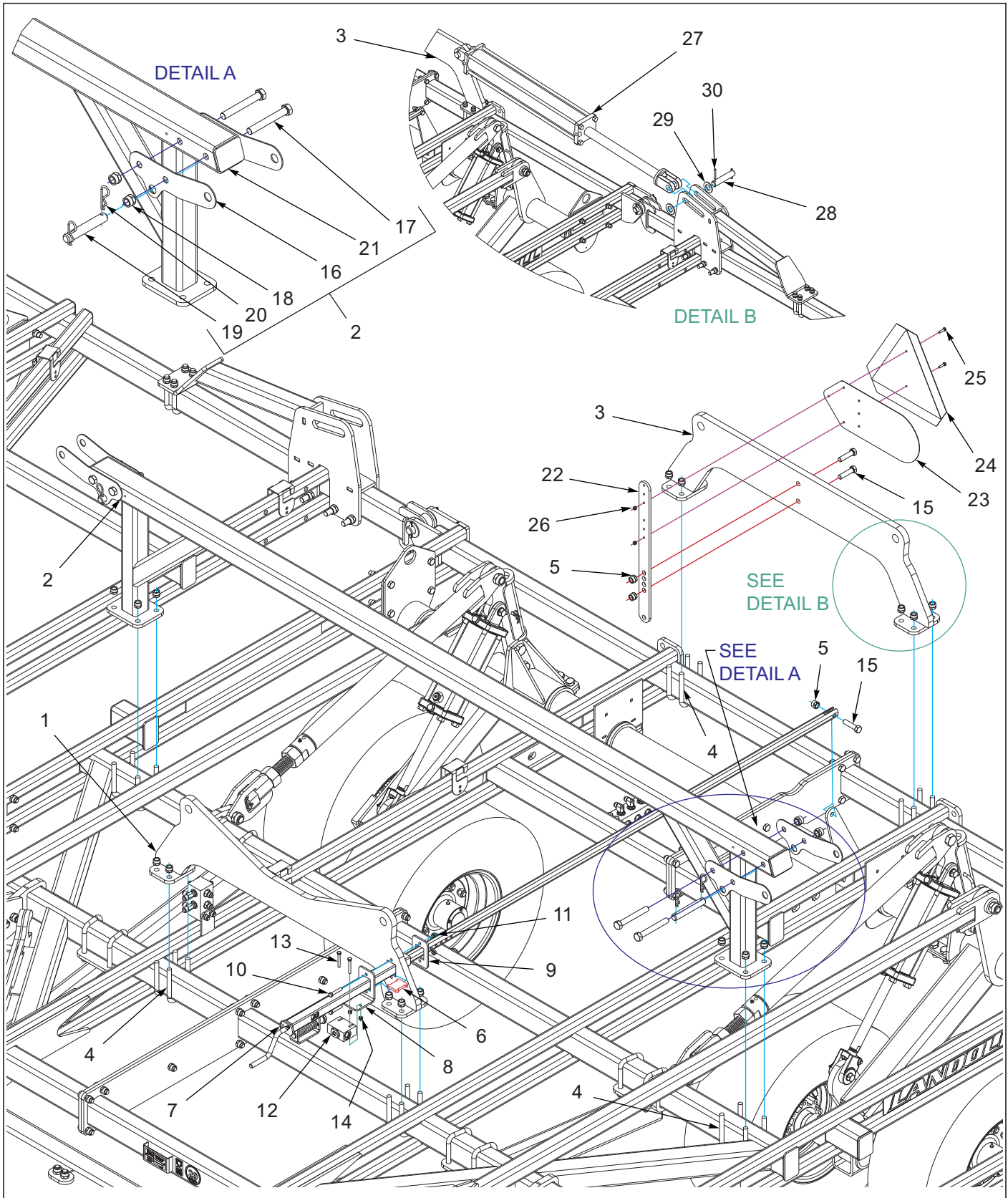


Figure 1-12: Center Frame Fold Bracket Assembly

Center Frame Fold Bracket Assembly

ITEM	PART NO.	DESCRIPTION	QTY.
1	191488	MOUNT WLDMT FOLD CYL FRONT	1
2	229099	STABILIZER ASSY, WING 9630 (INCLUDES ITEMS 16-21)	1
3	191490	MOUNT WLDMT FOLD CYL REAR	1
4	2-102-010054	U-BOLT	12
5	1-512-010005-13	NUT,HEX SLFLKG GRB 5/8-11	15
6	164126	PLATE, SLIDE	1
7	164260	TUBE ASSY, DEPTH STOP (SEE PAGE 1-23)	1
8	164125	MOUNT, DCV VALVE	1
9	166250	CLAMP PLATE STROKE CONTROL	1
10	1-654-010051-09	SCREW,HEX CAP,3/8-16UNCX2 GR5	2
11	1-512-010005-05	NUT, HEX, SLFLKG GRB 3/8-16	2
12	203467	VALVE-LIMIT, STROKE	1
13	108628	SCREW HX CP 5/16-18UNCX2-1/4	2
14	1-512-010005-03	NUT HEX SLFLKG GRB 5/16-18	2
15	1-654-010059-07	SCREW HX CP 5/8-11UNCX2-1/2G5	3
16	164286	BRACKET, WING STABILIZER	4
17	1-654-010061-16	SCREW 3/4-10UNCX5-1/2 HXCP G5	4
18	1-512-010005-15	NUT,HEX,SLFLKG GRB 3/4-10	4
19	8-557-010149	PIN 1 DIA X 6	2
20	1-557-010013	PIN, HAIR 3/16 DIA	4
21	166248	WING STABILIZER WLDMT 9630	1
22	164142	BRACKET, SMV MOUNTING	1
23	224590	MOUNT, SIS DECAL	1
24	70260977	SMV EMBLEM	1
25	1-654-010047-06	SCREW,HX CP 1/4-20UNCX1 GR5	2
26	1-512-010005-01	NUT,HEX,SLFLKG GRB 1/4-20	2
27	167575	CYLINDER, 4-1/2 X 30, 2DIA ROD (SEE PAGE 1-40)	4
28	141244	PIN, FOLD	4
29	116100	WASHER 1-1/4 NAR FL ZP/CD	8
30	1-647-010004240	PIN,SPRING,SLOTTED,5/16X2-1/2	8

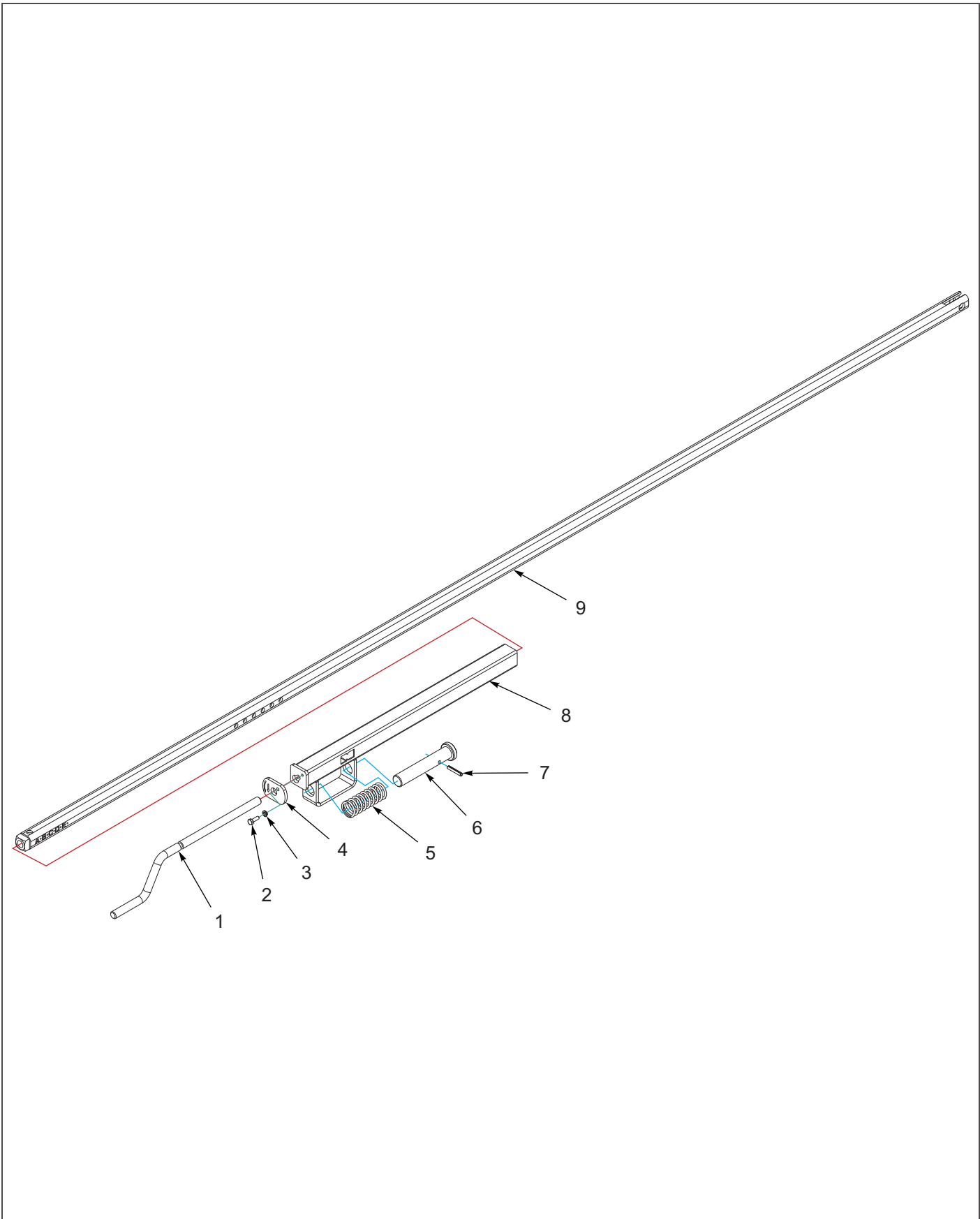


Figure 1-13: Depth Stop Tube Assembly

Depth Stop Tube Assembly

ITEM	PART NO.	DESCRIPTION	QTY.
--	164260	TUBE ASSY, DEPTH STOP	
1	141217	HANDLE, DEPTH STOP	1
2	1-654-010047-04	SCREW,HEX CAP,1/4-20X3/4 GR5	1
3	1-861-010034-09	WASHER, LKG HLCL SPR, 1/4	1
4	166158	WASHER, DEPTH STOP	1
5	122917	SPRING COMPRESSION,4-1/2 MONO	1
6	141213	PIN, DEPTH STOP	1
7	1-647-010004217	SPRING PIN, SLOTTED 1/4X1-1/2	1
8	164263	TUBE, DEPTH STOP W/INDICATOR	1
9	164261	TUBE, DEPTH STOP WLDMT	1

Gauge Wheel Assemblies

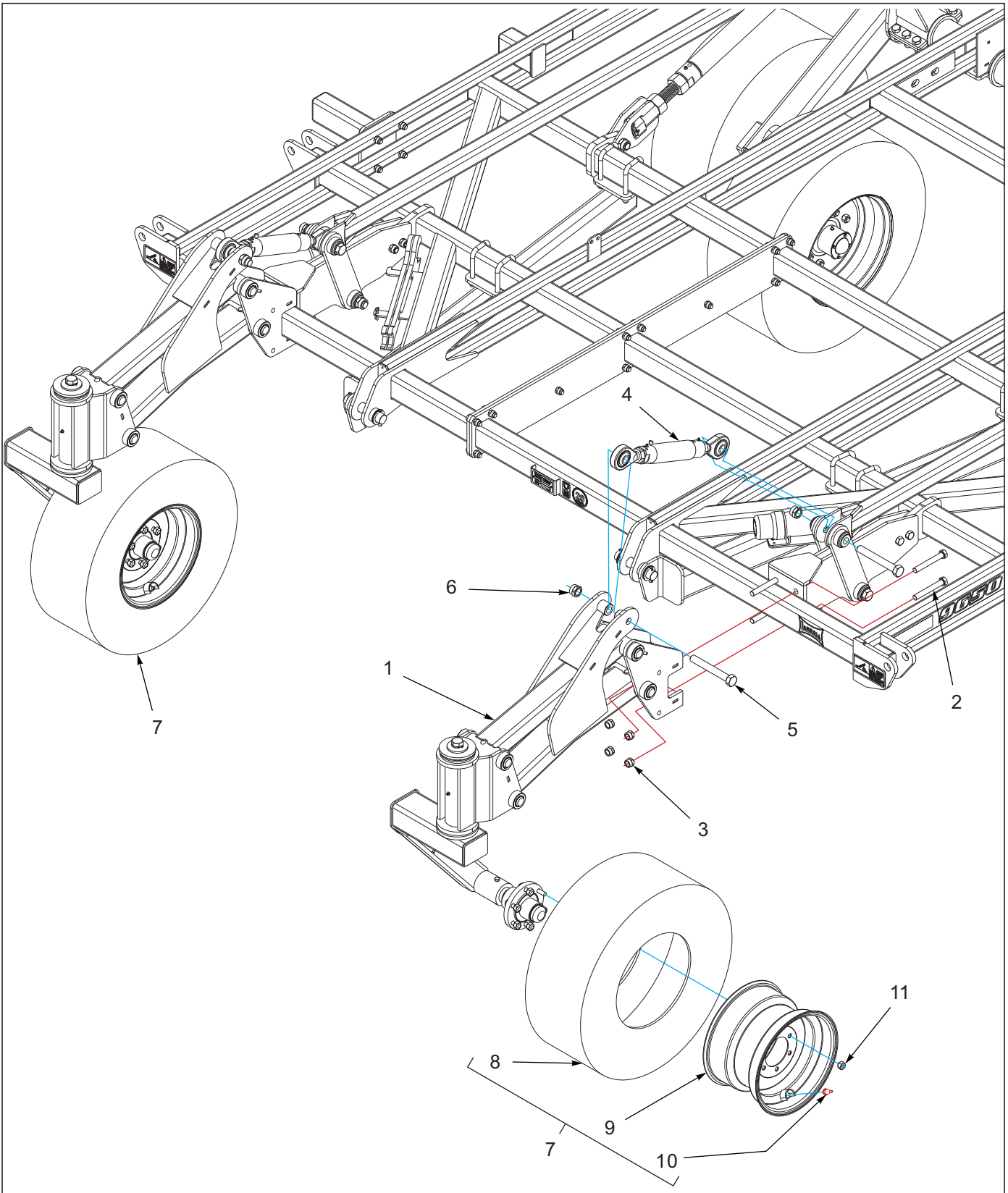


Figure 1-14: Front Gauge Wheel Installation

Front Gauge Wheel Installation

ITEM	PART NO.	DESCRIPTION	QTY.
1	228999	GAUGE WHEEL ASSY (SEE PAGE 1-27)	1
2	139201	SCREW,HX CP 3/4-10UNCX5.50GR8	4
3	1-512-010005-15	NUT,HEX,SLFLKG GRB 3/4-10	4
4	158844	RAD ROD, LIFT ASSY (SEE PAGE 1-29)	1
5	100856	SCREW,HHCS,1-8X7-1/2 GR5	2
6	1-512-010005-19	NUT 1-8 HEX SLF-LOCKING GRB	2
7	142650	TIRE/WHEEL ASSY 280/70R15 (INCLUDES ITEMS 8-10)	1
8	204384	FIRESTONE RADIAL 280/70R15	1
9	140547	WHEEL, 15 X 10 LB 6 BOLT	1
10	415	VALVE STEM	1
11	210606	WHEEL NUT 9/16-18UNF	6

ILLUSTRATED PARTS LIST

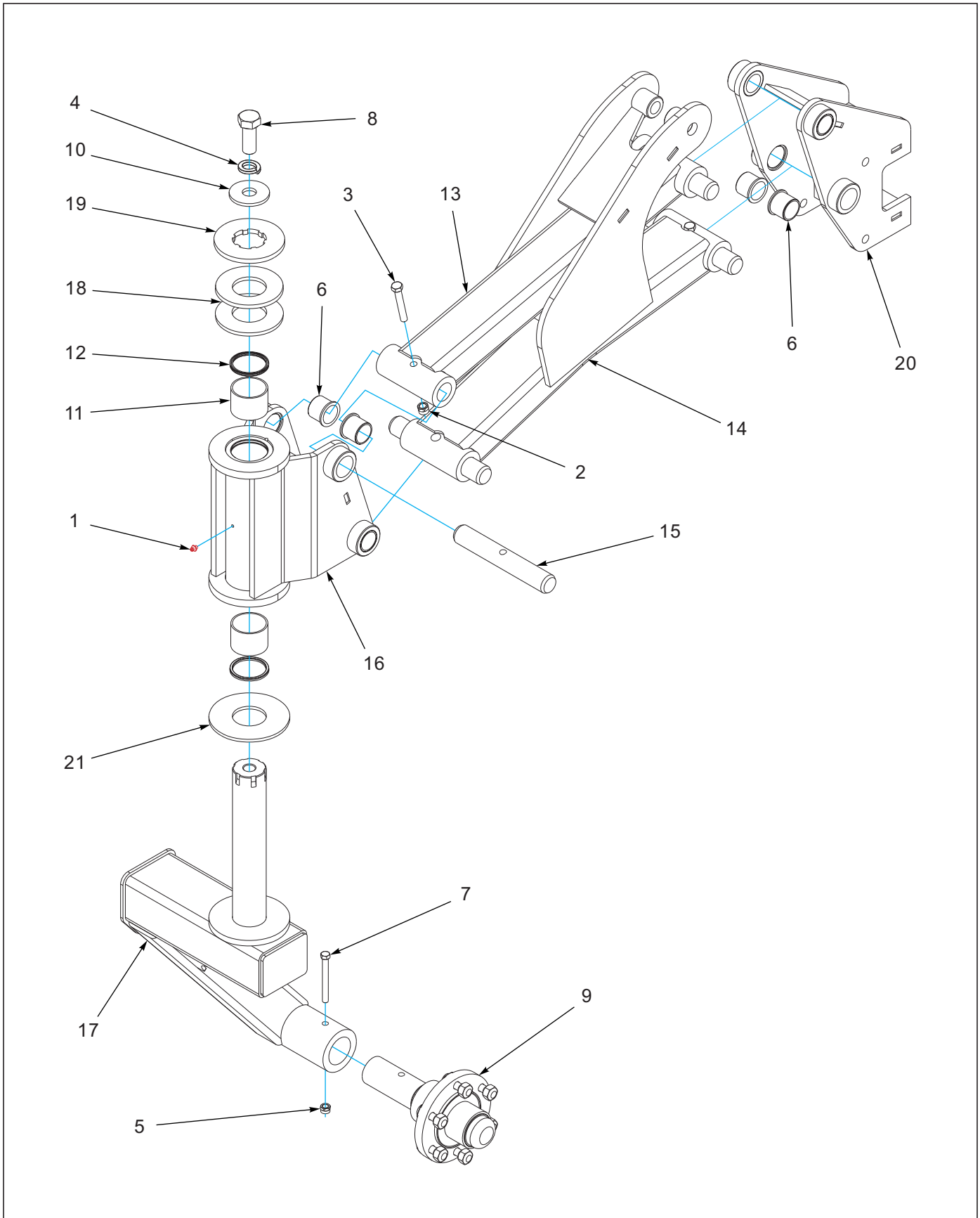


Figure 1-15: Front Gauge Wheel Assembly

Front Gauge Wheel Assembly

ITEM	PART NO.	DESCRIPTION	QTY.
--	228999	GAUGE WHEEL ASSY	
1	1-298-010001-1	ZERK FITTING 1/4 SAE	1
2	1-512-010005-09	NUT,HEX,SLFLKG, 1/2-13 GRB	4
3	1-654-010055-10	SCREW HEX CAP 1/2-13X3-1/4GR5	4
4	1-861-010034-21	WASHER, LKG HEL SPRG 1IN	1
5	101988	NUT,HEXSLF-LKG 7/16-14 GRB	1
6	140599	BEARING, FLANGE 1-1/2"	8
7	141809	SCREW HX CP7/16-14UNC X 4 GR5	1
8	151528	SCREW, HX CP 1-8UNCX2-1/2 GR5	1
9	164352	HUB ASSY, 6BOLT 2-1/4 SPINDLE	1
10	173850	HEAVY WASHER	1
11	187163	BUSHING,2-3/4 X 2-1/2 X 2 LONG	2
12	187166	SEAL, POLYPAK - 2-1/2"	2
13	227602	LINK, TOP GAUGE WHEEL WLDMT	1
14	227603	LINK, BOTTOM GAUGE WHEEL WLDMT	1
15	227607	PIN, GAUGE WHEEL	4
16	227608	HUB, GAUGE WHEEL WLDMT	1
17	227614	AXLE, GAUGE WHEEL WLDMT	1
18	227621	WASHER, SPRING 2.53 ID	2
19	227622	WASHER, SPRING RETAINING	1
20	227625	MOUNT, GAUGE WHEEL WLDMT	1
21	227643	WASHER, THRUST	1

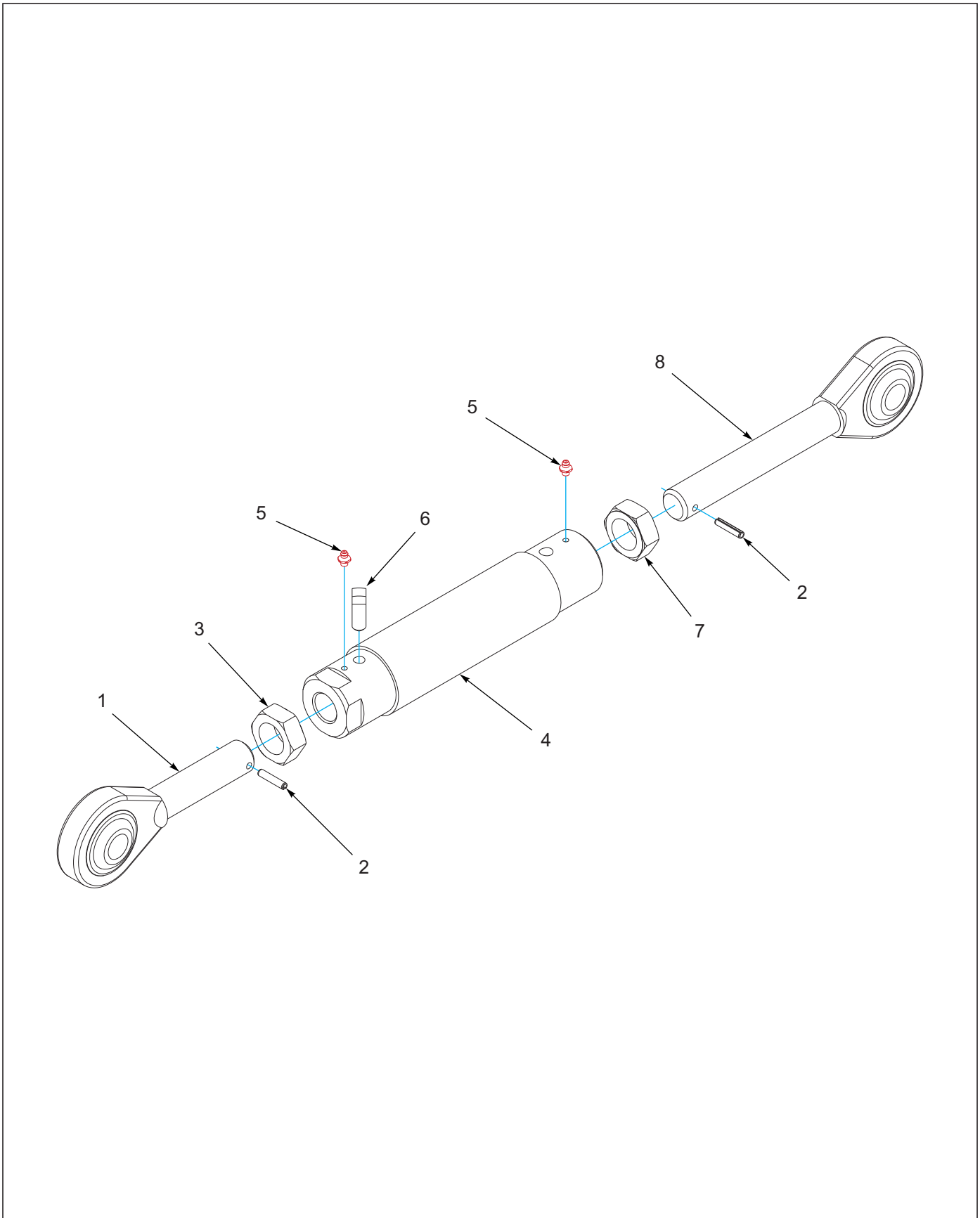


Figure 1-16: Radius Rod Lift Assembly

Radius Rod Lift Assembly

ITEM	PART NO.	DESCRIPTION	QTY.
--	158844	RAD ROD, LIFT ASSY	
1	159557	SCREW, SHORT, RH RADIUS ROD	1
2	0600-250-01250	ROLL PIN 1/4X1-1/4 LONG	2
3	100823	NUT,HEX JAM,1-1/4-7 GR2	1
4	158843	RADIUS ROD WLDMT 13"	1
5	1-298-010001-1	ZERK FITTING 1/4 SAE	2
6	1-654-010080-2	SCREW SET1/2X1-1/4 SQHD CP PT	1
7	153803	NUT 1-1/4-7 HX JAM,UNC LH GR2	1
8	2-654-010097	SCREW, LH RADIUS ROD	1

Shank Assemblies

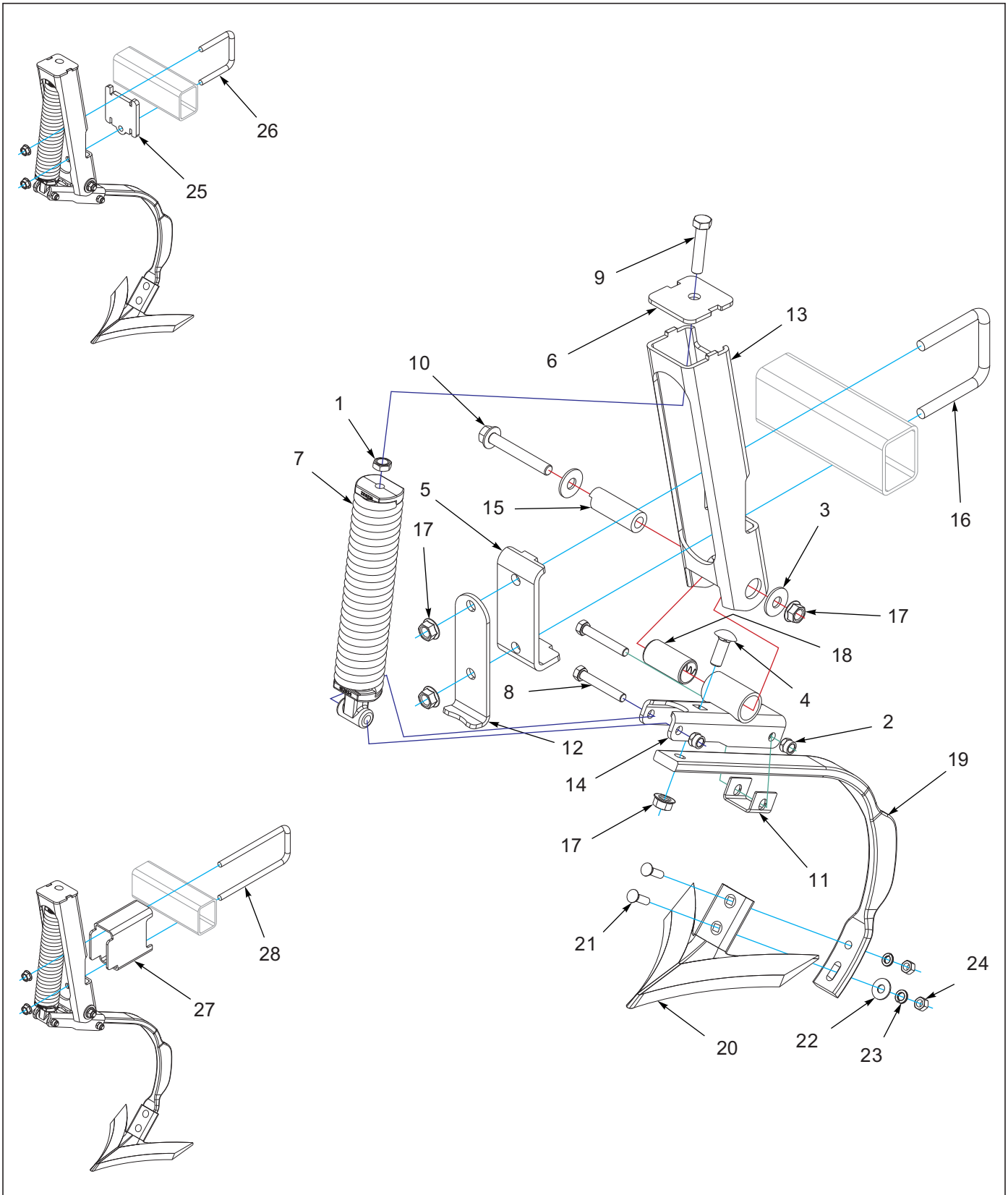


Figure 1-17: Spring Shank Assembly

Spring Shank Assembly

ITEM	PART NO.	DESCRIPTION	QTY.
--	172670	SHANK ASSY, SPRING (INCLUDES ITEMS 1-18)	
1	1-511-010001-07	NUT, HEX JAM 5/8-11	1
2	1-512-010005-09	NUT,HEX,SLFLKG, 1/2-13 GRB	2
3	1-861-010032-19	WASHER, FLAT 5/8 W ZP/CD	2
4	133662	SCRW RDHD SHT SQNK5/8-11X1.75	1
5	162904	CLAMP, SHANK MOUNT	1
6	162906	PLATE, SPRING	1
7	162930	SPRING ASSY	1
8	164146	SCREW, HEX CAP 1/2-13X3-1/4	2
9	164147	SCREW HX CAP5/8-11X3 2-1/2THD	1
10	164192	SCREW 5/8-11UNCX4-1/2 FLG HD	1
11	166160	CLAMP, SHANK	1
12	172662	STOP, SPRING SHANK	1
13	172666	MOUNT, SHANK	1
14	172667	CLAMP, SHANK (INCLUDES ITEMS 18)	1
15	172671	BUSHING, CLAMP	1
16	2-102-010004	BOLT U STANDARD GAUGE WHEEL	3
17	29SFFL 5811	NUT,FLANGE HEAD LOCK5/8-11UNC	4
18	172672	BUSHING 1-1/2 X 1-1/4 X2-15/16	1
19	185928	SHANK,5/8 X 1-3/4 EDGE BENT	1
20	108676	SWEEP 1/4X9 ULTRAWING (SHOWN)	
20	108675	SWEEP 1/4X8 ULTRAWING	
20	8-689-010006	9IN SWEEP	
20	8-689-010007	7IN SWEEP	
20	8-689-010008	8IN SWEEP	
20	8-689-010009	SWEEP 10 IN 810-800A	
21	7/16-14X1-3/4PB	BOLT,PLOW 7/16X1-3/4 GR5 ZP	2
22	1-861-010032-13	WASHER FLAT 7/16	1
23	1-861-010034-12	WASHER,LOCKING HLC SPG 7/16	2
24	1-512-010007-08	NUT, HEX 7/16-14 GR2 ZP	2
25	194616	EXTENSION SPRING SHANK	4
26	6-102-010009	U-BOLT RIGID GA WHEEL	4
27	164314	EXTENSION, SPRING SHANK 6-1/4	2
28	158841	U-BOLT,5/8X4-11/16X10-3/4	2

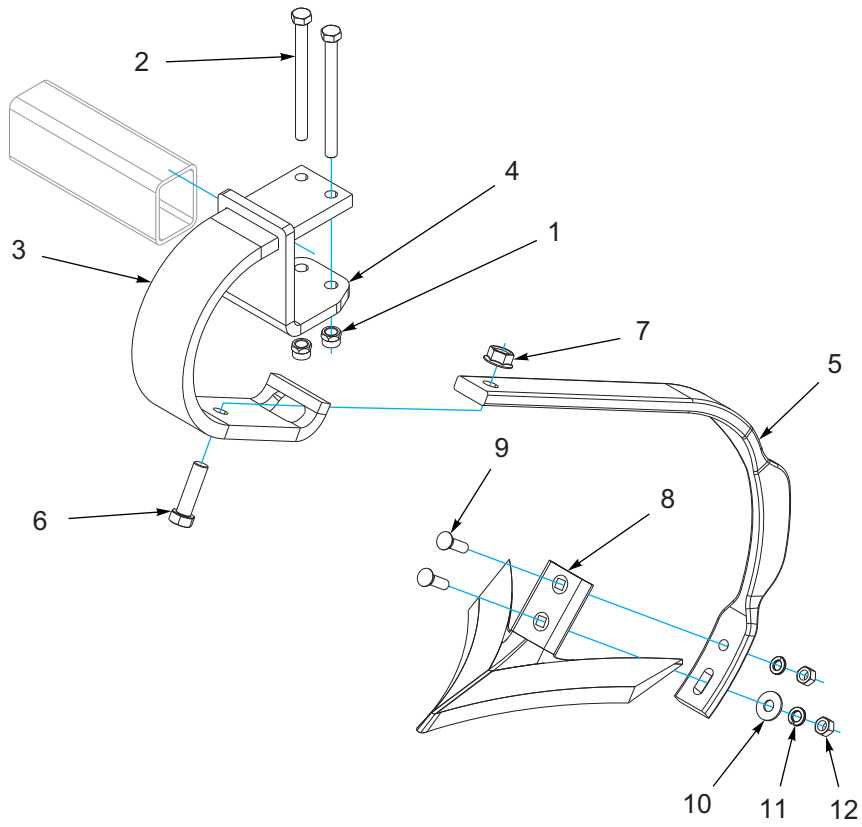


Figure 1-18: S-Tine Shank Assembly

S-Tine Shank Assembly

ITEM	PART NO.	DESCRIPTION	QTY.
--	166200	SHANK ASSY,S-TINE (INCLUDES ITEMS 1-4)	
1	1-512-010005-09	NUT,HEX,SLFLKG, 1/2-13 GRB	2
2	1-654-010055-17	SCREW,HEX CAP,1/2-13UNCX6 GR5	2
3	166199	SPRING CLAMP,S-TINE	1
4	166201	CLAMP S-TINE	1
5	185928	SHANK,5/8 X 1-3/4 EDGE BENT	1
6	1-654-010059-06	SCREW,HEX CAP 5/8-11X2-1/4 G5	1
7	29SFFL 5811	NUT,FLANGE HEAD LOCK5/8-11UNC	2
8	108676	SWEEP 1/4X9 ULTRAWING (SHOWN)	
8	108675	SWEEP 1/4X8 ULTRAWING	
8	8-689-010006	9IN SWEEP	
8	8-689-010007	7IN SWEEP	
8	8-689-010008	8IN SWEEP	
8	8-689-010009	SWEEP 10 IN 810-800A	
9	7/16-14X1-3/4PB	BOLT,PLOW 7/16X1-3/4 GR5 ZP	2
10	1-861-010032-13	WASHER FLAT 7/16	1
11	1-861-010034-12	WASHER,LOCKING HLC SPG 7/16	2
12	1-512-010007-08	NUT, HEX 7/16-14 GR2 ZP	2

Lift Hydraulic Assembly

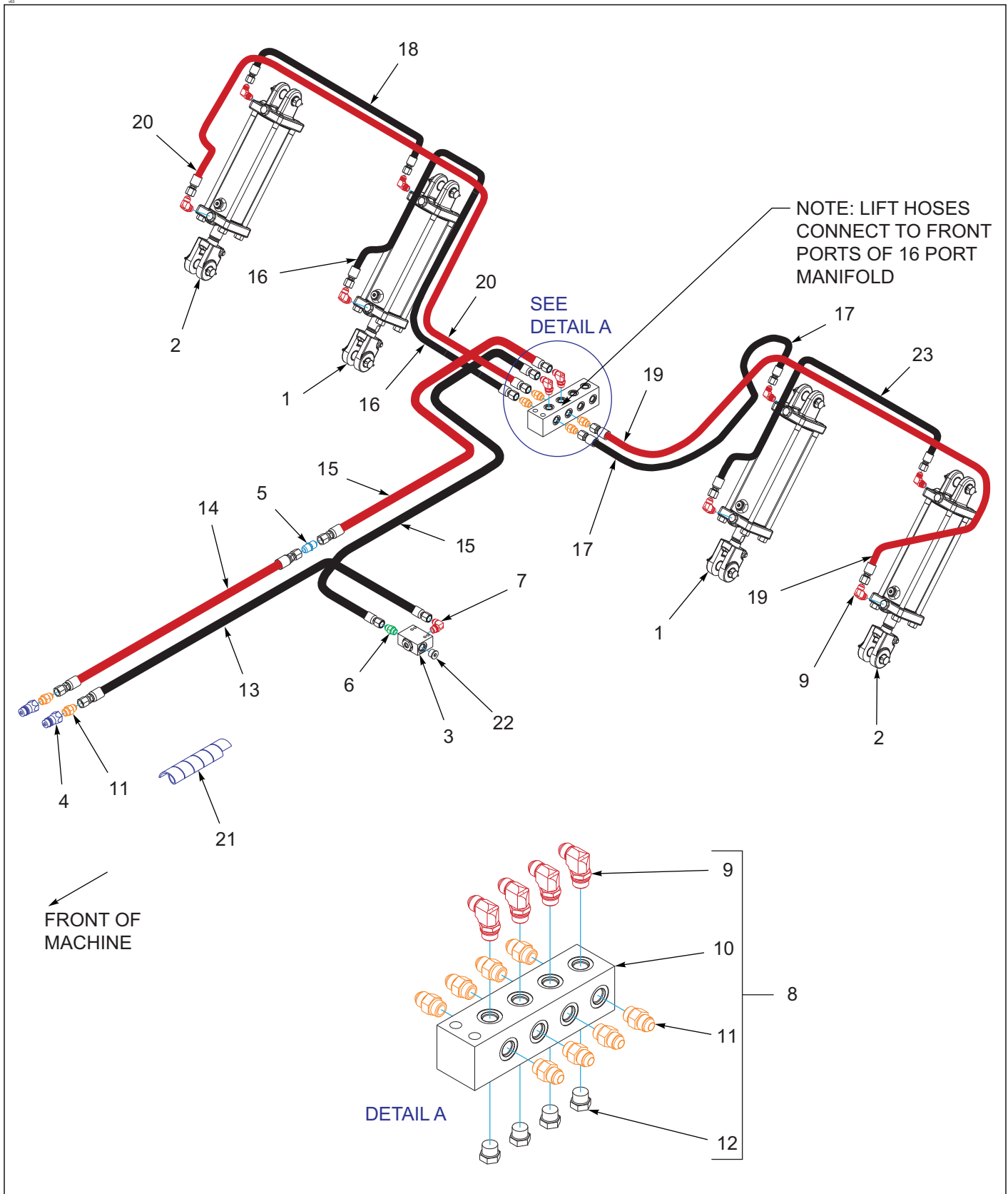


Figure 1-19: Lift Hydraulic Assembly

Lift Hydraulic Assembly

ITEM	PART NO.	DESCRIPTION	QTY.
1	140470	CYLINDER 4X10 REPHASE (SEE PAGE 1-39)	2
2	140471	CYLINDER 3-3/4X10 REPHASE (SEE PAGE 1-38)	2
3	203467	VALVE-LIMIT, STROKE	1
4	141828	COUPLER,MALE 3/4-16 O-RING	2
5	148338	FITTING, UNION SAE 37 8X8	1
6	202702-10-8S	ADAPTER, #10 O-RING #8 TUBE	1
7	2062-10-8S	ADAPTER,90, #10 O-RING-TUBE	1
8	166252	MANIFOLD ASSY LIFT/FOLD (INCLUDES ITEMS 9-12)	1
9	2062-8-8S	ADAPTER, 90, #8 O-RING-TUBE	14
10	141594	MANIFOLD, HYDRAULIC 16 PORT	1
11	202702-8-8S	ADAPTER #8 O-RING TO #8 TUBE	6
12	1-007-010025	PLUG, 3/4-16 O-RING BOSS	2
13	229049	HOSE ASSY, 1/2X306, SAE37,STR	1
14	187439	HOSE ASY 1/2X214,SAE37 STR-STR	1
15	164303	HOSE ASSY,1/2X138 SAE37 STR	2
16	181801	HOSE ASSY, 3/8x58 #8 JIC SWIV	1
17	116489	HOSE ASSY 3/8X64 #8 JIC SW	1
18	198296	HOSE ASSY, 3/8X144 #8JIC SWIV	1
19	153621	HOSE ASSY 3/8X212 #8 JIC SWIV	2
20	141882	HOSE ASSY 3/8X206 #8 JIC SWIV	1
21	155528	HOSE WRAP, BLUE 1" ID X 8"	1
22	143853	PLUG #10 M ORB HEX SOCKET	1
23	210264	HOSE ASSY,3/8,#8JIC SWIVELX138	1

Fold Hydraulic Assemblies

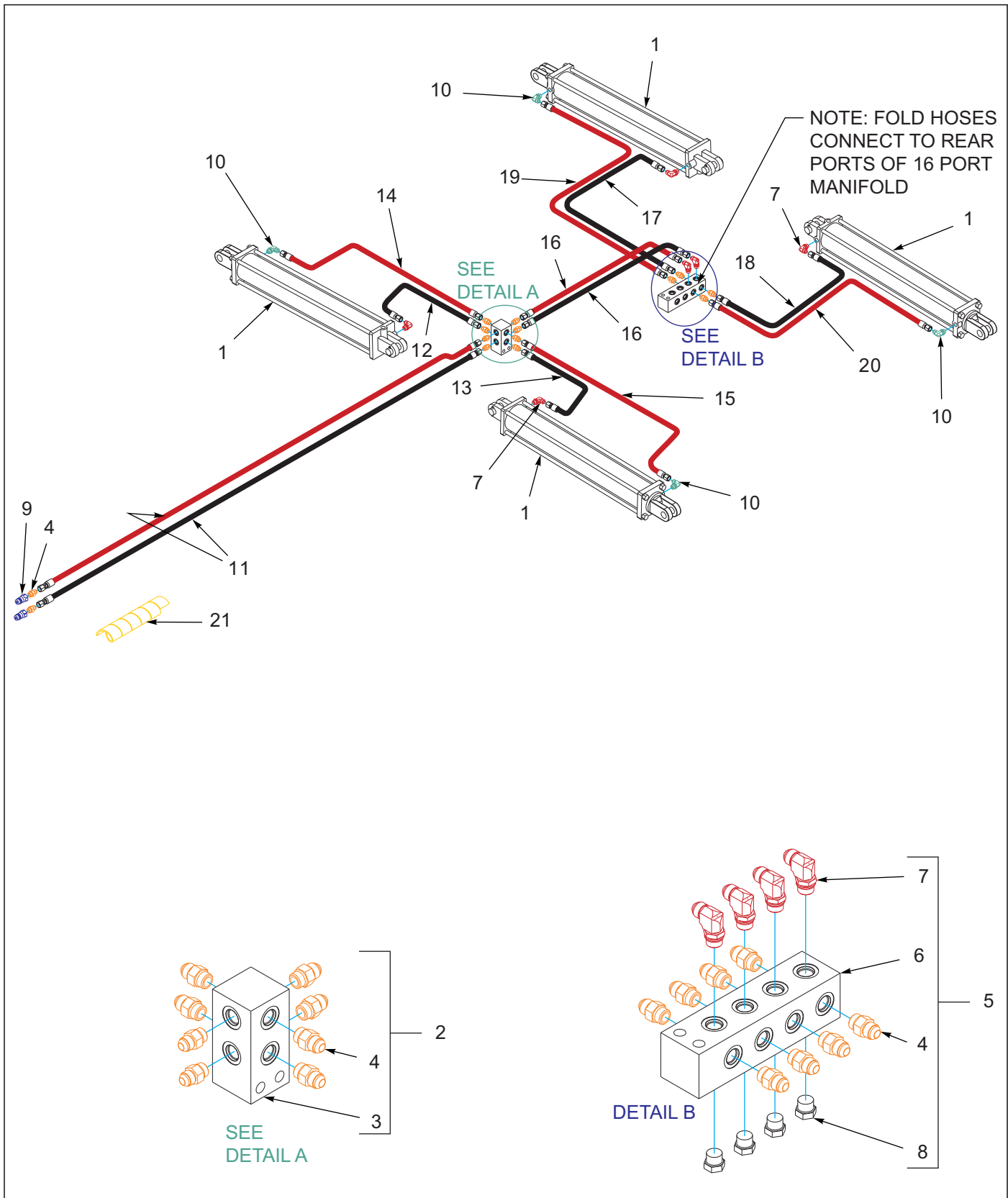


Figure 1-20: Fold Hydraulic Assembly

Fold Hydraulic Assembly

ITEM	PART NO.	DESCRIPTION	QTY.
1	167618	CYL ASM, 4-1/2 X 30 W/FITTINGS (SEE PAGE 1-40)	4
2	166253	MANIFOLD ASSY FOLD (INCLUDES ITEMS 3-4)	1
3	2-474-010022	MANIFOLD HYDRAULIC, 6 HOSE	1
4	202702-8-8S	ADAPTER #8 O-RING TO #8 TUBE	12
5	166252	MANIFOLD ASSY LIFT/FOLD (INCLUDES ITEMS 4, 6, 7, 8,)	1
6	141594	MANIFOLD, HYDRAULIC 16 PORT	1
7	2062-8-8S	ADAPTER, 90, #8 O-RING-TUBE	8
8	1-007-010025	PLUG, 3/4-16 O-RING BOSS	2
9	141828	COUPLER,MALE 3/4-16 O-RING	2
10	141826	ELBOW 90 1/16 RES	4
11	116437	HOSE ASSY, 3/8X267 #8 JIC SW	2
12	147582	HOSE ASSY 3/8X24 #8 JIC SWIV	1
13	71508992	HOSE ASSY .38 X 50	1
14	71508985	HOSE ASSY .38 X 30	1
15	71508987	HOSE ASSY 3/8 X 86	1
16	71508988	HOSE ASSY 3/8 X 80	2
17	1-397-010369036	HOSE ASSY 3/8X36,#8 JIC SWVL	1
18	117259	HOSE ASSY 3/8X48 #8JIC	1
19	153843	HOSE ASSY 3/8X67 #8 JIC SWIV	1
20	116490	HOSE ASSY 3/8X78 #8 JIC SW	1
21	155529	HOSE WRAP, YELLOW 1" ID X 8"	1

Cylinder Assemblies

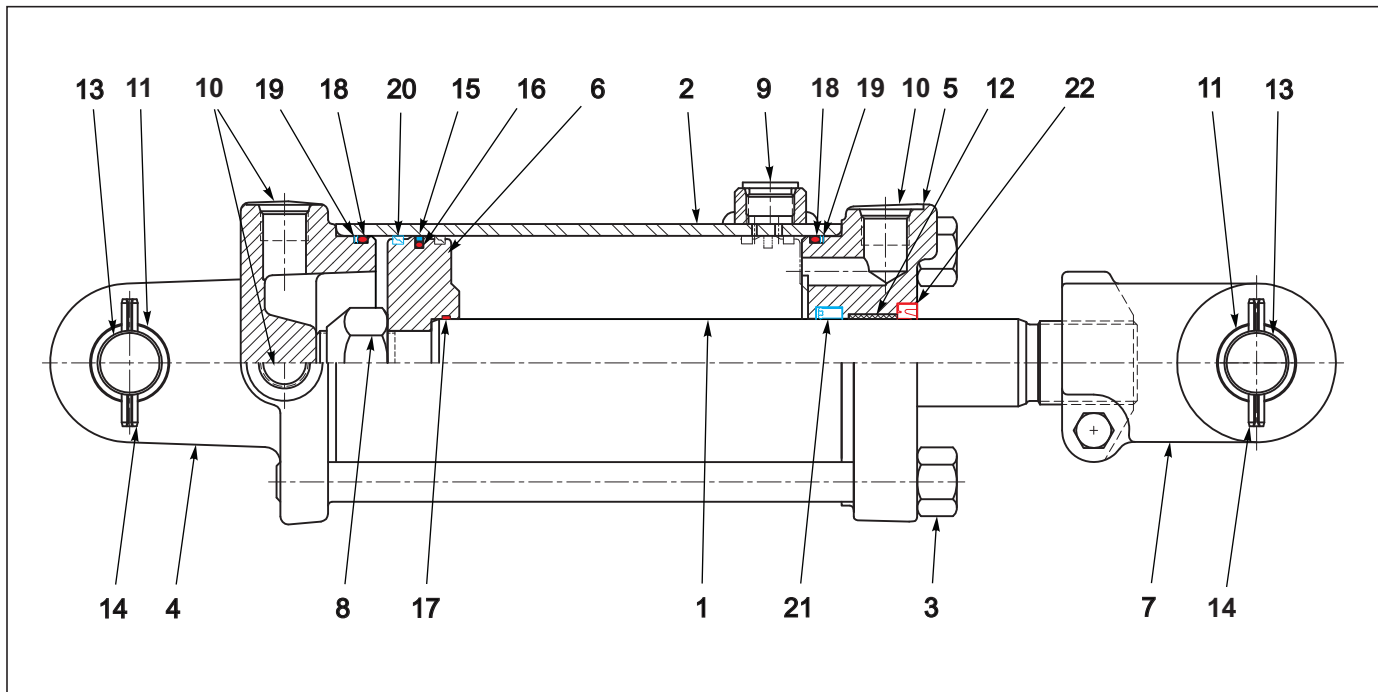


Figure 1-21: Cylinder - Rephase Assembly 3-3/4 X 10 (1" Clevis Pins)

Cylinder - Rephase Assembly 3-3/4 X 10 (1" Clevis Pins)

ITEM	PART NO.	DESCRIPTION	QTY.
--	140471	CYLINDER, 3-3/4 X 10, REPHASE (1" PINS)	
1	----	PISTON, ROD	1
2	----	TUBE ASSY	1
3	----	TIEROD ASSY	1
4	142116	BUTT CLEVIS ASSEMBLY	1
5	111871	GLAND ASSY	1
6	----	PISTON ROD	1
7	142110	CLEVIS ASSY	1
8	----	NUT, LOCK	1
9	----	PLUG, PORT	1
10	----	PLUG, PORT	3
11	142112	BUSHING	4
12	141301	BUSHING	1
13	143994	PIN, CLEVIS	2
14	111789	ROLL PIN	4
15	----	TEFLON SEAL	1
16	----	O- RING	1
17	----	O- RING	1
18	----	O- RING	2
19	----	BU- WASHER	2
20	----	BEARING RING	2
21	----	U- CUP	1
22	----	CANNED WIPER	1
23	142103	PACKING KIT (NOT SHOWN) (INCLUDES ITEMS 15-22)	

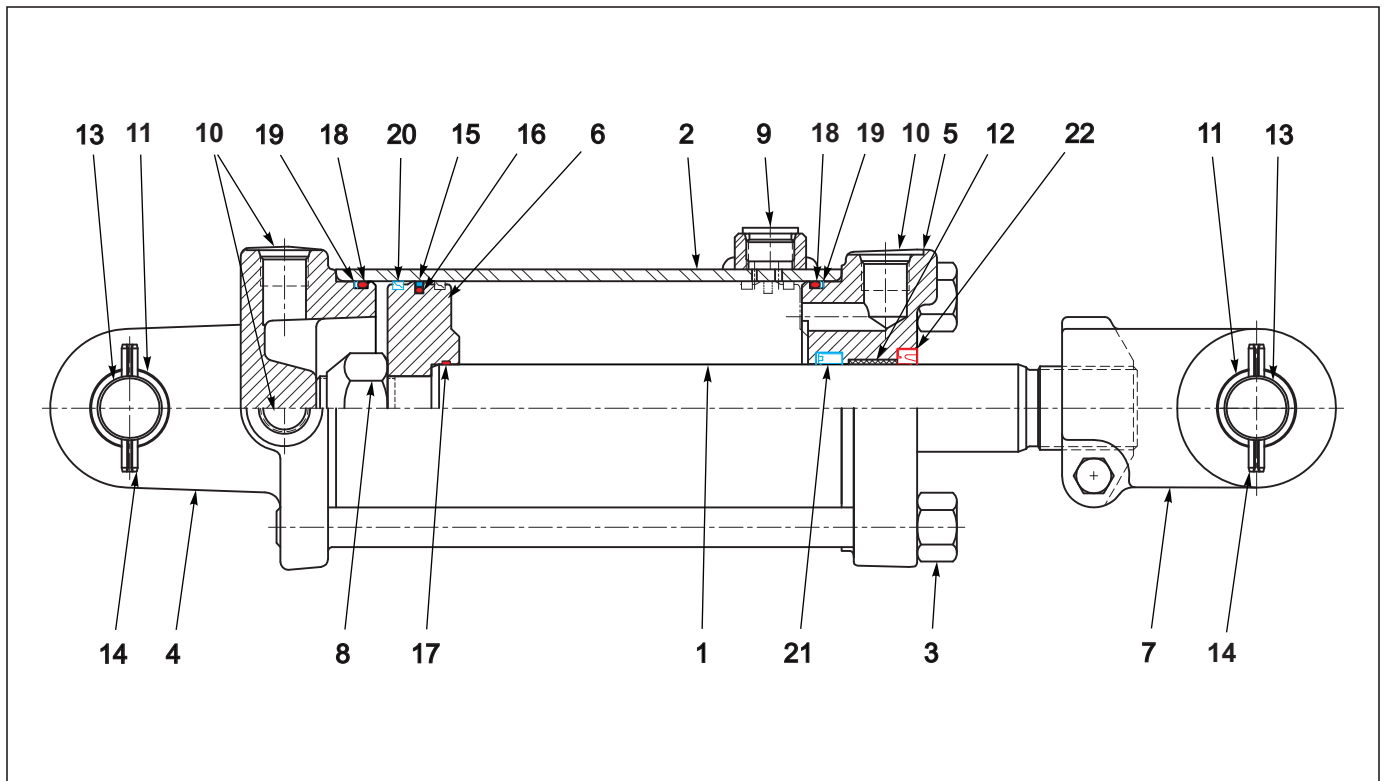


Figure 1-22: Cylinder - Rephase Assembly 4 X 10 (1" Clevis Pins)

Cylinder - Rephase Assembly 4 X 10 (1" Clevis Pins)

ITEM	PART NO.	DESCRIPTION	QTY.
--	140470	CYLINDER 4X10 REPHASE (1" PINS)	
1	----	PISTON, ROD	1
2	----	TUBE	1
3	----	TIEROD ASSY	1
4	142114	BUTT CLEVIS ASSY	1
5	142109	GLAND ASSEMBLY	1
6	----	PISTON	1
7	142110	CLEVIS ASSEMBLY	1
8	----	NUT, LOCK	1
9	----	PLUG, PORT	1
10	----	PLUG, PORT	3
11	142112	BUSHING	4
12	141301	BUSHING	1
13	143994	PIN, CLEVIS	2
14	111789	ROLL PIN	4
15	----	TEFLON SEAL	1
16	----	O- RING	1
17	----	O- RING	1
18	----	O- RING	2
19	----	BU- WASHER	2
20	----	BEARING RING	2
21	----	U- CUP	1
22	----	CANNED WIPER	1
23	142111	PACKING KIT (NOT SHOWN) (INCLUDES ITEMS 15-22)	

ILLUSTRATED PARTS LIST

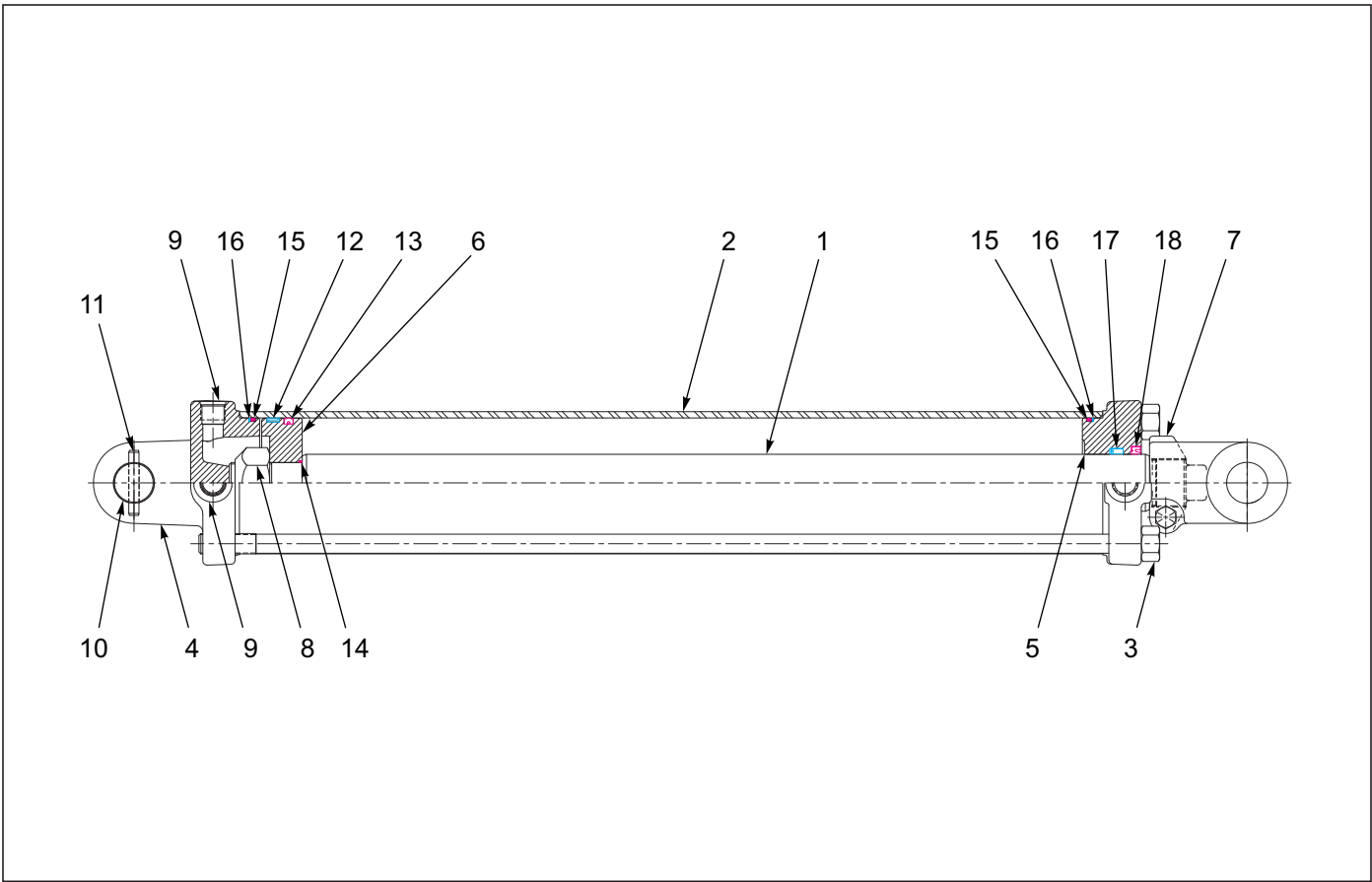


Figure 1-23: Hydraulic Cylinder 4-1/2" X 30"

Hydraulic Cylinder 4-1/2" X 30"

ITEM	PART NO.	DESCRIPTION	QTY.
--	167575	CYLINDER, 4-1/2 X 30, 2DIA ROD	
1	----	PISTON ROD	1
2	----	TUBE	1
3	----	TIEROD ASSEMBLY	4
4	218648	BUTT	1
5	169549	GLAND	1
6	----	PISTON	1
7	100000362	CLEVIS ASSEMBLY	1
8	----	LOCKNUT	1
9	----	PORT PLUG	3
10	169550	CLEVIS PIN	1
11	111789	ROLL PIN	2
12	----	BEARING RING	2
13	----	CROWN SEAL	1
14	----	O-RING	1
15	----	O-RING	2
16	----	BU-WASHER	2
17	----	U-CUP	1
18	----	WIPER	2
19	169552	PACKING KIT (NOT SHOWN) (INCLUDES ITEMS 12-18)	

Electrical

7-PIN CONN.	4-PIN TOWER	CIRCUIT	WIRE COLOR
1	D	GROUND	WHITE 
2	–	WORK LAMPS	BLACK 
3	B	LEFT FLASHING & TURN	YELLOW 
4	–	STOP LAMPS	RED 
5	A	RIGHT FLASHING & TURN	GREEN 
6	C	TAIL LAMPS	BROWN 
7	–	SWITCHED POWER (12 V)	BLUE 

MAIN WARNING LIGHT HARNESS - WIRING CHART

	1	2	3	4	5
	2-PIN TOWER	3-PIN TOWER	6-PIN SHROUD	3-PIN TOWER	2-PIN TOWER
 BLACK LEFT TURN			A	C	
 WHITE GROUND	A	A	B	A	A
 BROWN TAIL LIGHT		B	C	B	
 YELLOW LEFT TURN			D		B
 GREEN RIGHT TURN	B		E		
 RED RIGHT TURN		C	F		

REAR WARNING LIGHT HARNESS - WIRING CHART

Figure 1-24: Electrical Assembly W/ LED Lights (1 of 2)

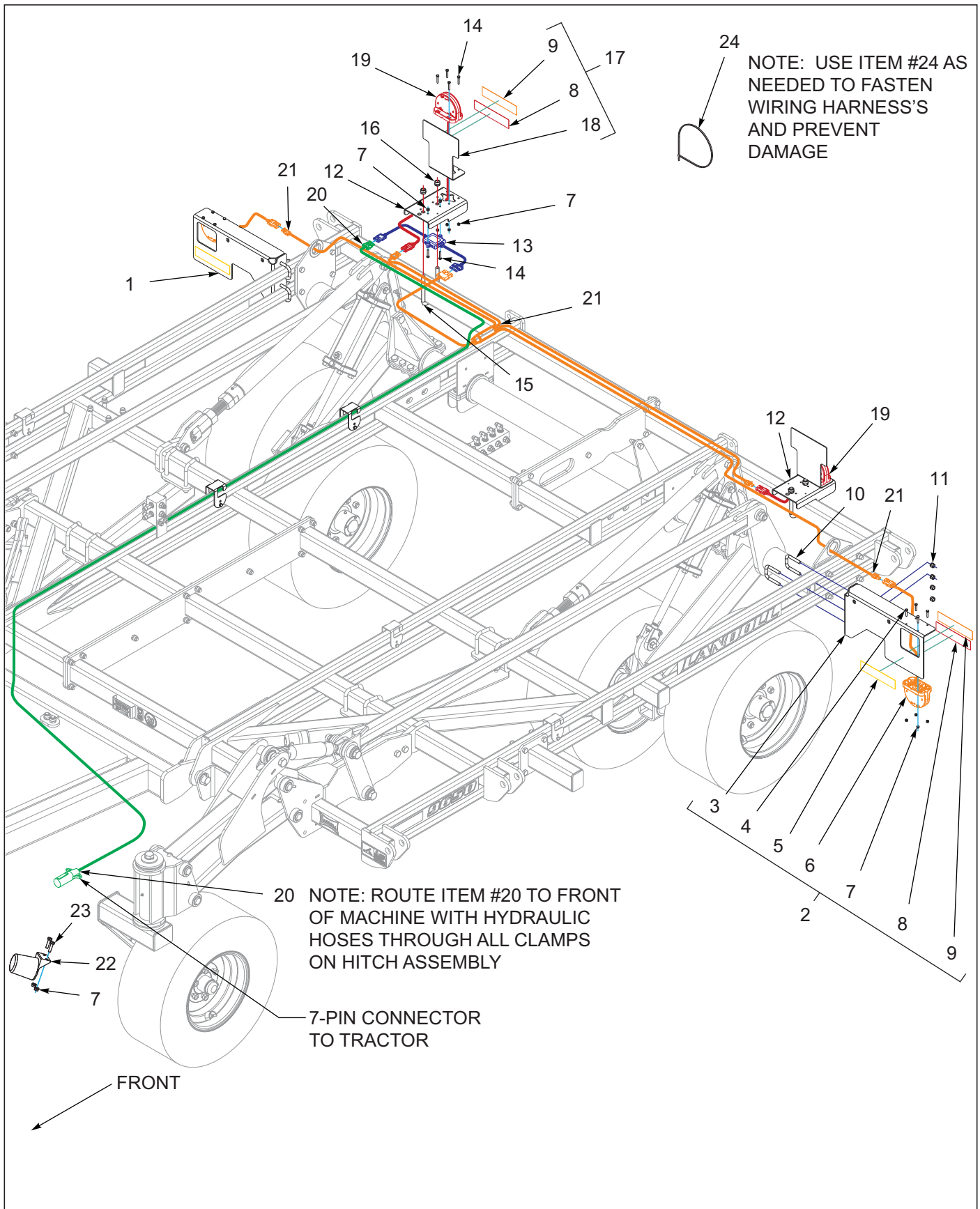


Figure 1-25: Electrical Assembly W/ LED Lights (2 of 2)

ILLUSTRATED PARTS LIST

Electrical Assembly W/ LED Lights

ITEM	PART NO.	DESCRIPTION	QTY.
--	176603	ELECTRICAL KIT 9630	
1	176601	LIGHT ASSY, RIGHT LED (INCLUDES ITEMS 3-9)	1
2	176602	LIGHT ASSY, LEFT LED (INCLUDES ITEMS 3-9)	1
3	164134	MOUNT, LIGHT RIGHT (USED WITH ITEM 1)	1
3	164135	MOUNT, LIGHT LEFT (USED WITH ITEM 2)	1
4	1-654-010047-07	SCREW,HX CP 1/4-20UNCX1-1/4G5	8
5	528934	REFLECTOR - YELLOW	2
6	174436	LAMP, AG AMBER SINGLE LED	2
7	1-512-010005-01	NUT,HEX,SLFLKG GRB 1/4-20	20
8	528933	REFLECTOR - RED	4
9	528938	STRIPE, ORANGE	4
10	8-102-010019	U BOLT SCRAPER	4
11	1-512-010005-09	NUT,HEX,SLFLKG, 1/2-13 GRB	8
12	164138	MOUNT, LIGHT TAIL	2
13	174437	MODULE, AG FLASHER CONTROL	1
14	1-654-010047-08	SCREW HX CP,1/4-20UNCX1-1/2G5	10
15	8-102-010043	U-BOLT, SPING CLAMP	2
16	1-512-010005-13	NUT,HEX SLFLKG GRB 5/8-11	4
17	164140	REFLECTOR ASSY (INCLUDES ITEMS 8, 9, 18)	2
18	164139	MOUNT, REFLECTOR	2
19	174435	LAMP, AG RED SINGLE LED	2
20	174438	HARNESS, MAIN WARNING LIGHTS	1
21	174439	HARNESS, REAR WARNING LIGHTS	1
22	2-368-010287	HARNESS, STOR-A-WAY (SEE PAGE 1-9)	1
23	1-654-010047-06	SCREW,HX CP 1/4-20UNCX1 GR5	2
24	105874	TIE,STRAP PLSTC 21.5-24X.301	15

Decals

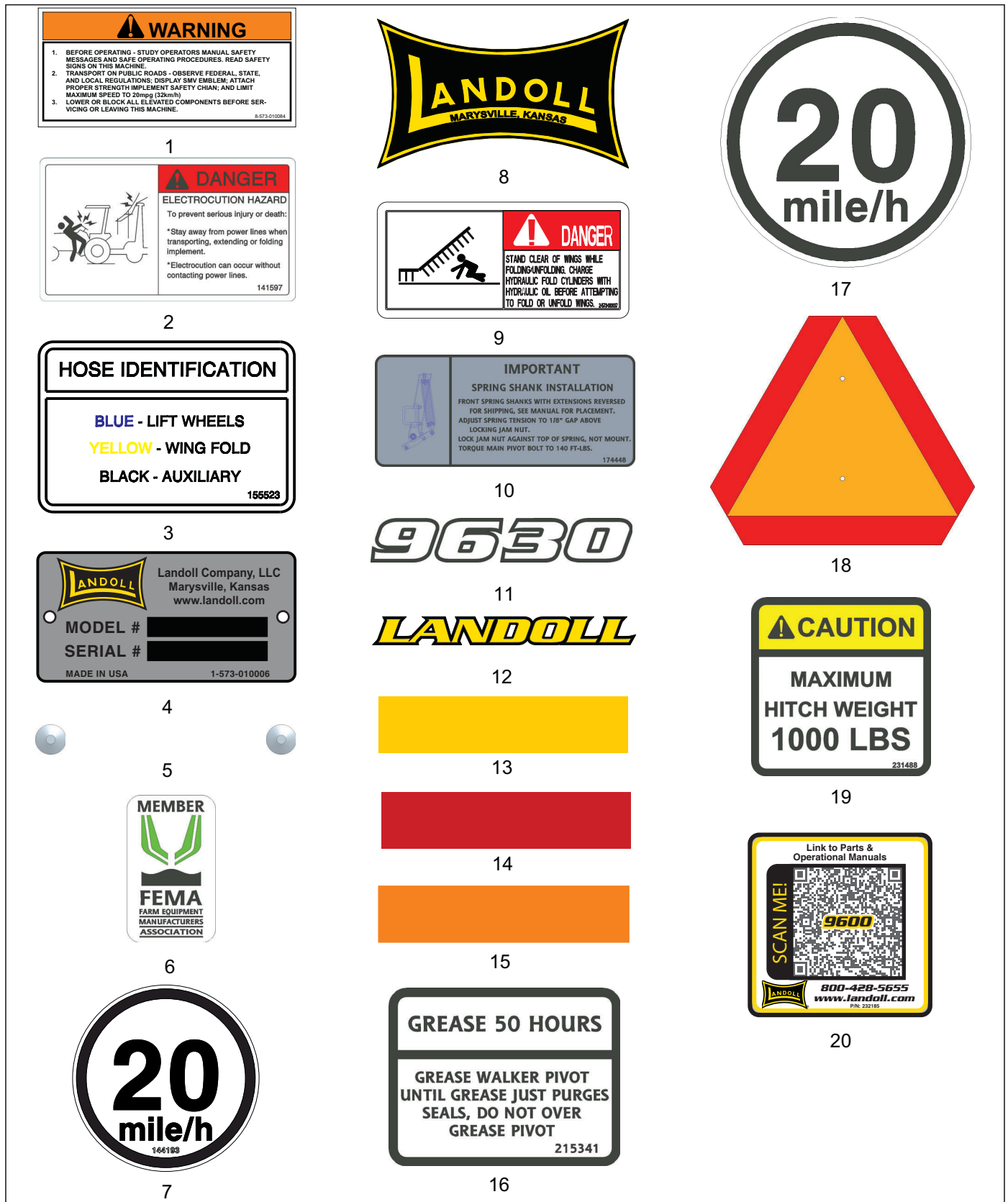


Figure 1-26: Decals

ILLUSTRATED PARTS LIST

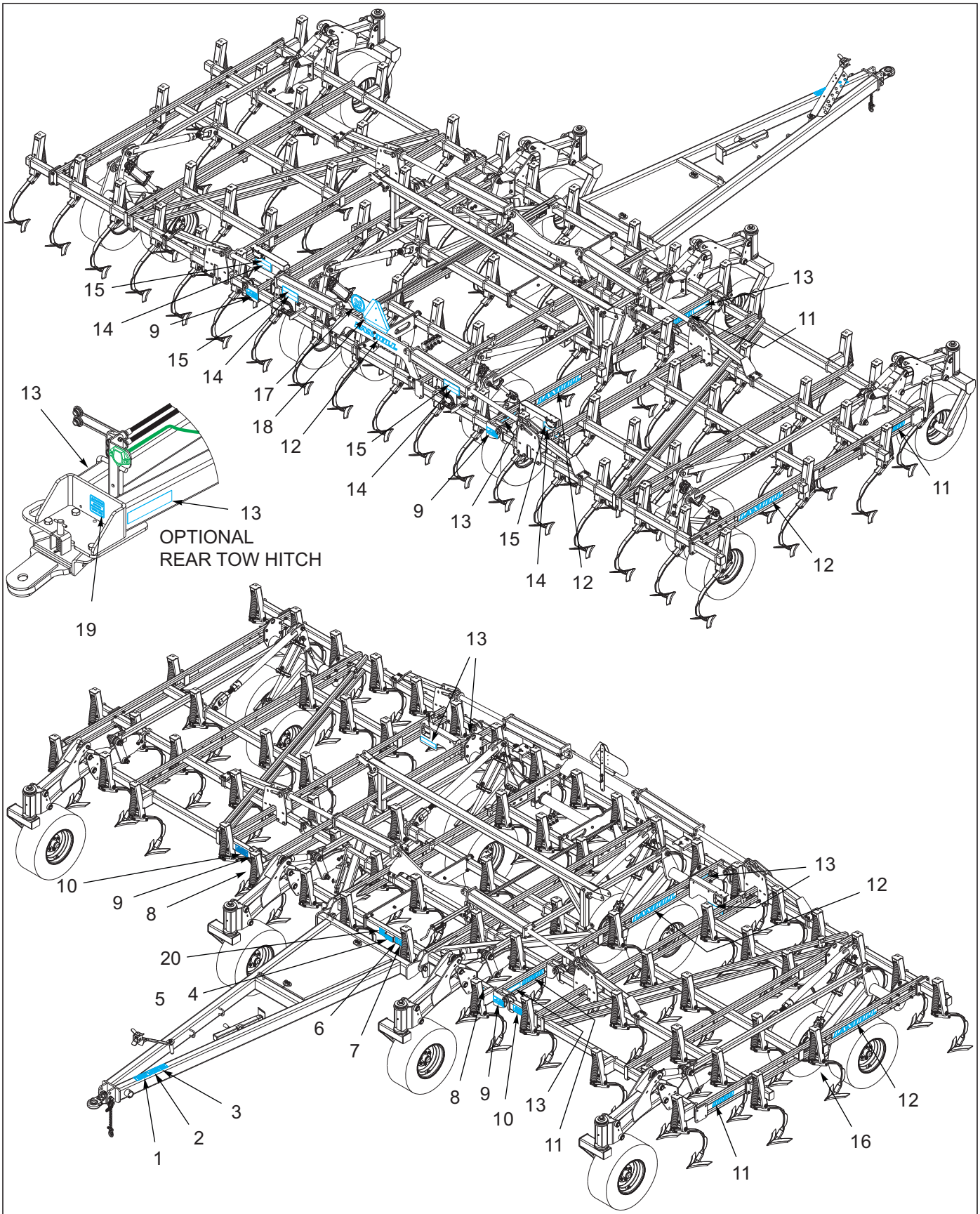


Figure 1-27: Decal Installation

Decals

ITEM	PART NO.	DESCRIPTION	QTY.
1	8-573-010084	DECAL WARNING BEFORE OPERATG	1
2	141597	DECAL, DANGER ELECTROCUTION	1
3	155523	DECAL, HOSE IDENTIFICATION	1
4	1-573-010006	PLACARD, NAME	1
5	156010	RIVET, BLIND .156X1/2 GRIP	2
6	2-573-010198	DECAL, MEMBER FEMA	1
7	144193	DECAL, SIS 20 MPH	1
8	141259	DECAL, LANDOLL, YELLOW	2
9	2-573-010037	DECAL, DANGER, WING	4
10	174448	DECAL, IMPORTANT	2
11	164301	DECAL, MODEL 9630	4
12	141260	DECAL, LANDOLL	5
13	528934	REFLECTOR - YELLOW (SEE PAGE 1-3)	4
14	528933	REFLECTOR - RED (SEE PAGE 1-3)	4
15	528938	STRIPE, ORANGE (SEE PAGE 1-3)	4
16	215341	DECAL, GREASE WALKER (SEE PAGE 1-6 OR PAGE 1-15)	6
17	224589	DECAL, SIS 20 MILE/H	1
18	70260977	SMV EMBLEM	1
19	231488	DECAL, MAXIMUM HITCH WEIGHT	1
20	232185	DECAL, QR CODE 9600 SERIES	1

4 Row Coil Tine Assemblies

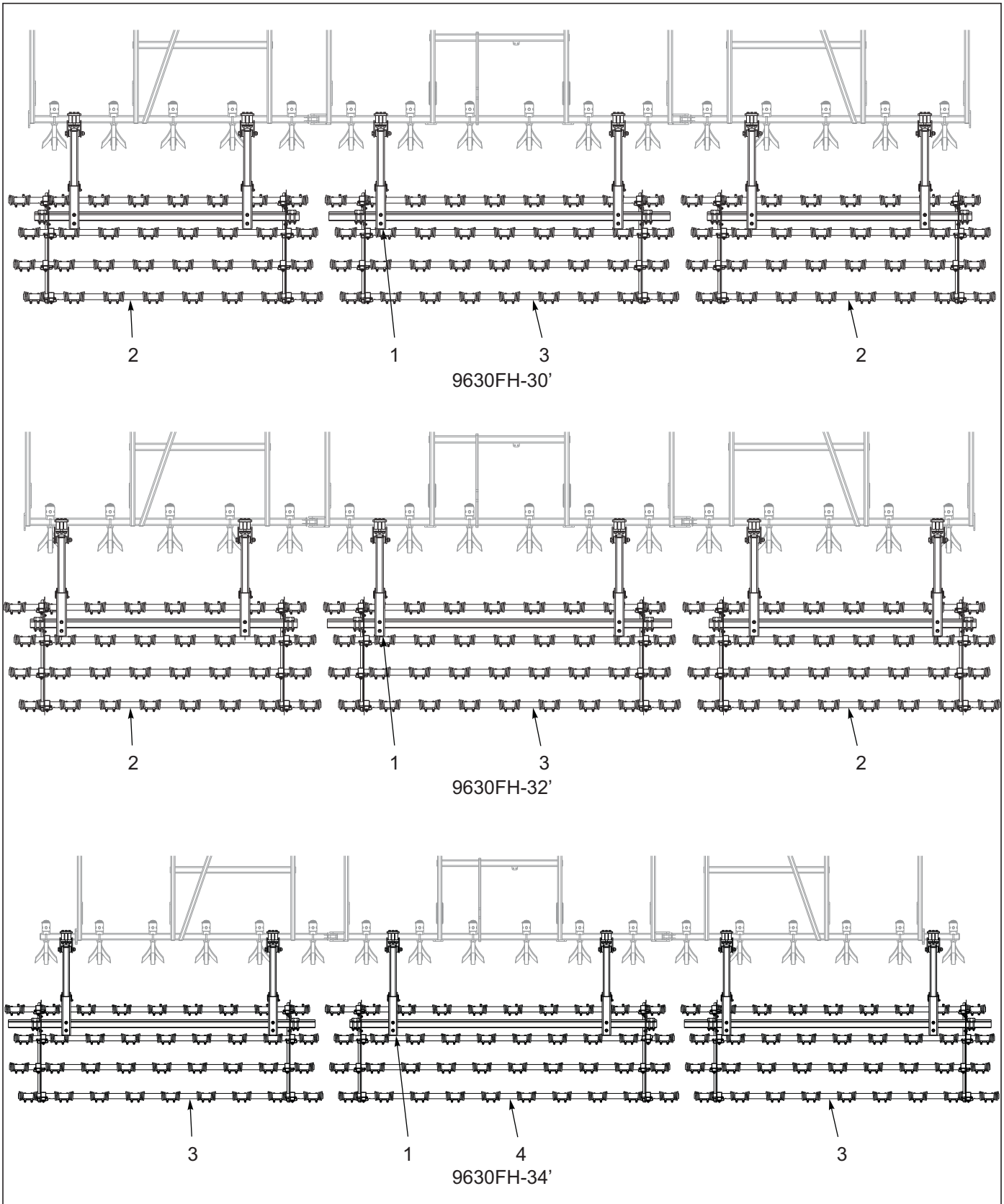


Figure 1-28: 4 Row Coil Tine Harrow Layout

4 Row Coil Tine Harrow Assembly

ITEM	PART NO.	DESCRIPTION	QTY.		
--	229680	4 ROW CT HARROW 9630-30	*		
--	229682	4 ROW CT HARROW 9630-32		*	
--	229683	4 ROW CT HARROW 9630-34			*
1	229061	HARROW ARM ASSY, COIL TINE (SEE PAGE 1-51)	6	6	6
2	229075	HARROW ASSY, 8 TINE 8 IN (SEE PAGE 1-53)	2	2	--
3	229076	HARROW ASSY, 9 TINE 8 IN (SEE PAGE 1-53)	1	1	2
4	229077	HARROW ASSY, 10 TINE 8 IN (SEE PAGE 1-53)	--	--	1

ILLUSTRATED PARTS LIST

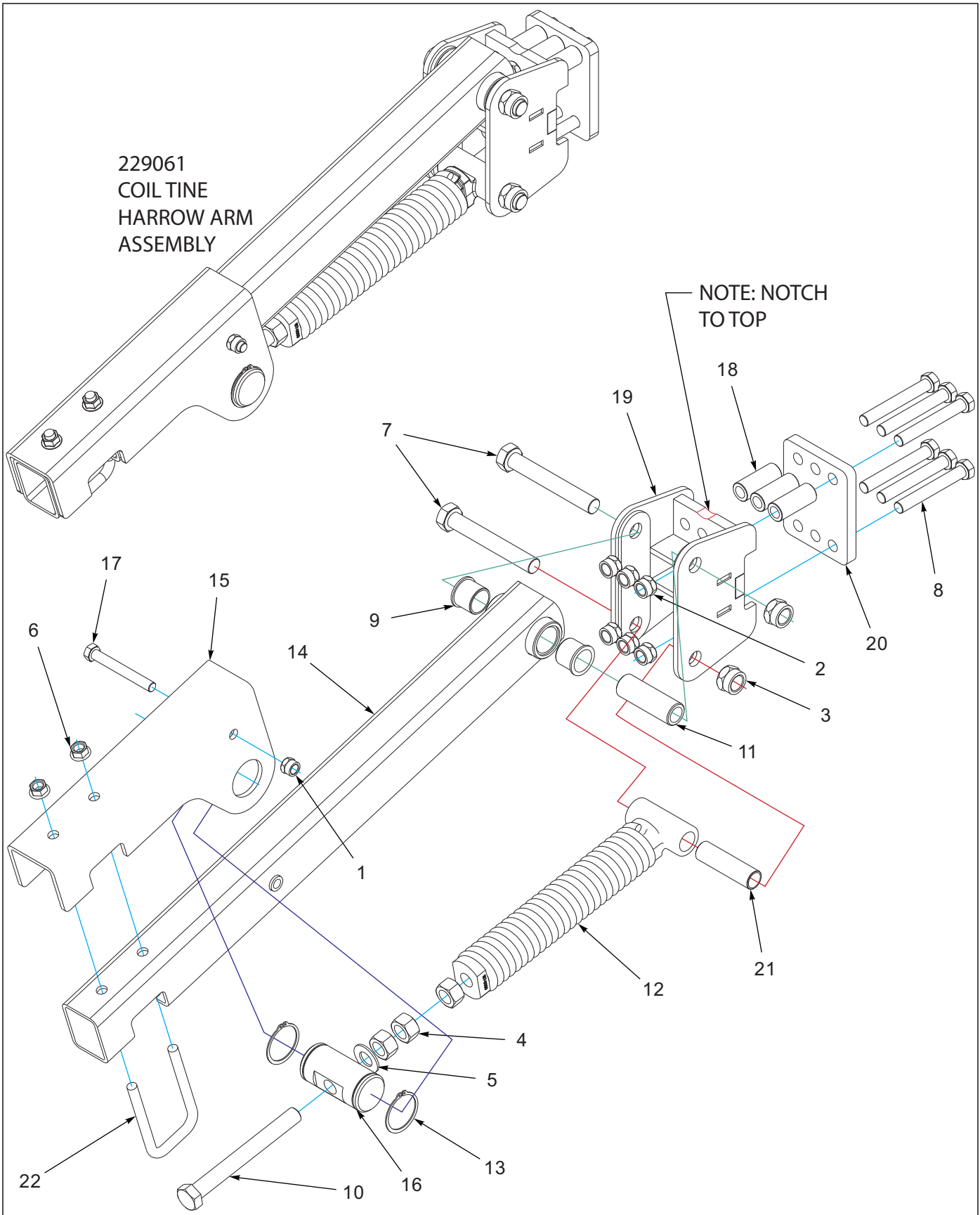


Figure 1-29: Coil Tine Harrow Arm Assembly

Coil Tine Harrow Arm Assembly

ITEM	PART NO.	DESCRIPTION	QTY.
--	229061	HARROW ARM ASSY, COIL TINE	
1	1-512-010005-13	NUT,HEX SLFLKG GRB 5/8-11	1
2	1-512-010005-15	NUT,HEX,SLFLKG GRB 3/4-10	6
3	1-512-010005-19	NUT 1-8 HEX SLF-LOCKING GRB	2
4	1-512-010007-14	NUT, HEX 1-8 GR2 ZP	3
5	1-861-010032-24	WASHER FL 1IN NARROW ZP	1
6	100827	NUT,FLG HD,SERRATED,5/8-11	2
7	100830	SCREW,HEX CAP,1-8X7,GR5	2
8	139201	SCREW,HX CP 3/4-10UNCX5.50GR8	6
9	140599	BEARING, FLANGE 1-1/2"	2
10	152210	BOLT, ADJ, 1 X 9	1
11	155002	BUSHING PIVOT 1-1/2	1
12	155963	SPRING ASSY, HVY - 17"	1
13	158896	SNAP RING, 2-1/2 SHAFT	2
14	164331	ARM, TINE HARROW	1
15	164335	MOUNT, HARROW ARM SPRING	1
16	164336	PIN, ADJUSTMENT W/SNAP RING	1
17	172830	SCREW HX CP 5/8-11X5 GR8	1
18	211056	BUSHING, CLAMP 3" L	3
19	229062	MOUNT, TINE HARROW	1
20	229063	MOUNTING PLATE, HARROW	1
21	229068	BUSHING, PIVOT - 1-1/4	1
22	8-102-010043	U-BOLT, SPING CLAMP	1

ILLUSTRATED PARTS LIST

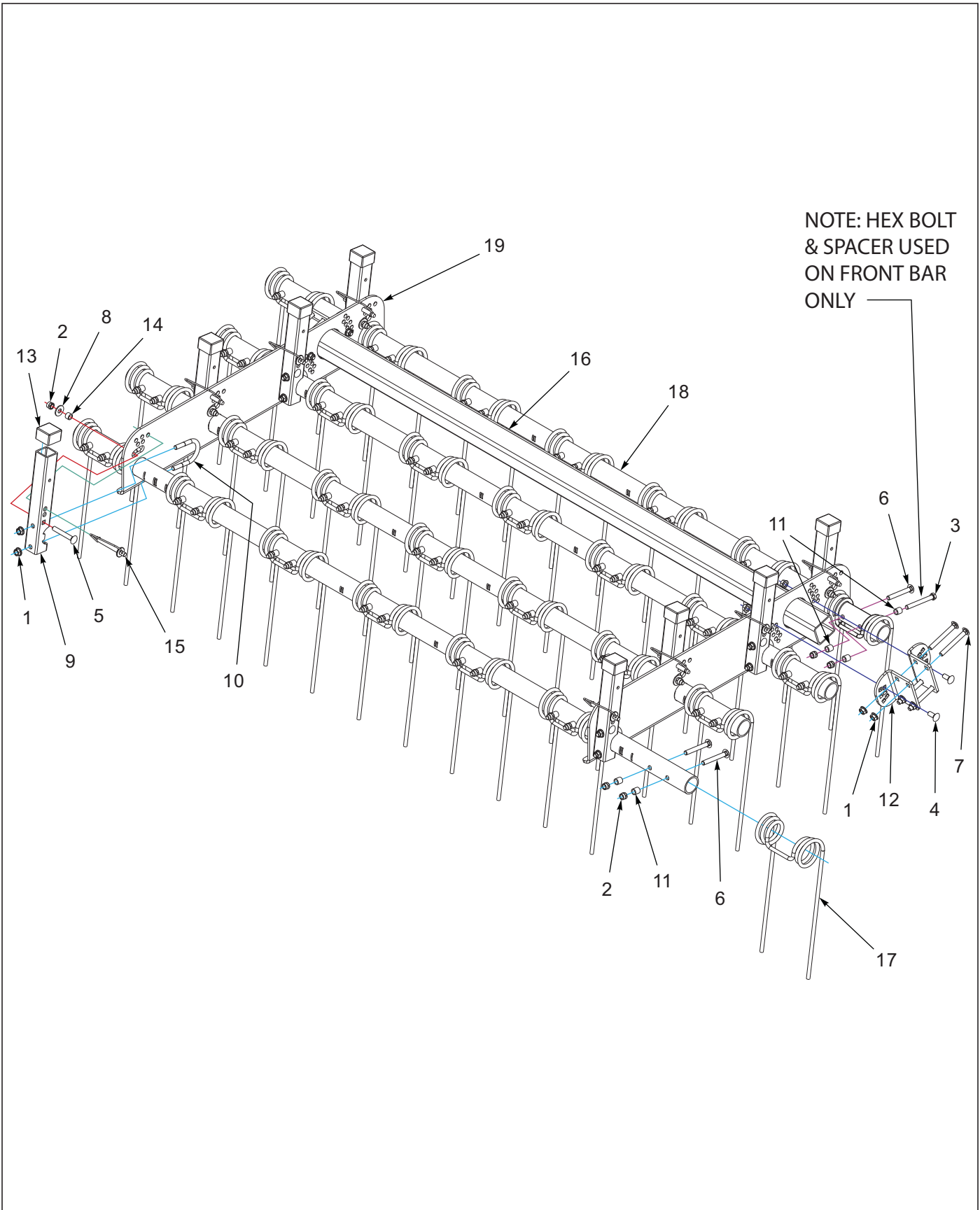


Figure 1-30: 4 Row Coil Tine Harrow Assembly

4 Row Coil Tine Harrow Assembly

ITEM	PART NO.	DESCRIPTION	QTY.		
--	229075	HARROW ASSY, 8 TINE 8 IN	*		
--	229076	HARROW ASSY, 9 TINE 8 IN		*	
--	229077	HARROW ASSY, 10 TINE 8 IN			*
1	1-510-010003-09	NUT,1/2-13 FLANGE HD,SERRATED	28	28	28
2	1-512-010005-09	NUT,HEX,SLFLKG, 1/2-13 GRB	72	80	88
3	1-654-010055-14	SCREW,HX CP,1/2-13UNCX4-1/2G5	8	9	10
4	1-654-010070-02	SCREW 1/2-13X1-1/4 RD HD SQNK	4	4	4
5	1-654-010070-11	SCREW,RDHD,SQNCK 1/2-13X3-1/2	8	8	8
6	1-654-010070-13	SCREW,RH HD, SQ NCK 1/2-13X4	56	63	70
7	1-654-010070-14	SCREW 1/2-13X4-1/2RDHD SQNCK	8	8	8
8	1-861-010032-15	WASHER, FLAT 1/2 W ZP/CD	8	8	8
9	154994	TUBE ANGLE ADJUST	8	8	8
10	154995	U-BOLT, 1/2	8	8	8
11	154997	TUBE 0.75ODX0.532IDX0.75 ZP	72	81	90
12	154998	PLATE ANGLE ADJUSTMENT	4	4	4
13	155927	CAP, TUBE 1.95X1.5 BLACK	8	8	8
14	155956	BUSHING ANGLE ADJUSTMENT	8	8	8
15	155971	PIN, HARROW ADJ	8	8	8
16	155005	TUBE SQ 3 X 3/16X107	1	--	--
16	156779	TUBE RIDE BAR 138"	--	1	1
17	164315	TINE, HARROW 7/16 X 18	32	36	40
18	164321	GANG BAR 8 TINE 8 IN 121"	4	--	--
18	164322	GANG BAR 9 TINE 8IN 137"	--	4	--
18	164323	GANG BAR 10 TINE 8IN 153"	--	--	4
19	227628	PLATE, GANG BAR 4 ROW	2	2	2

3 Row Tine and Reel Harrow Assemblies

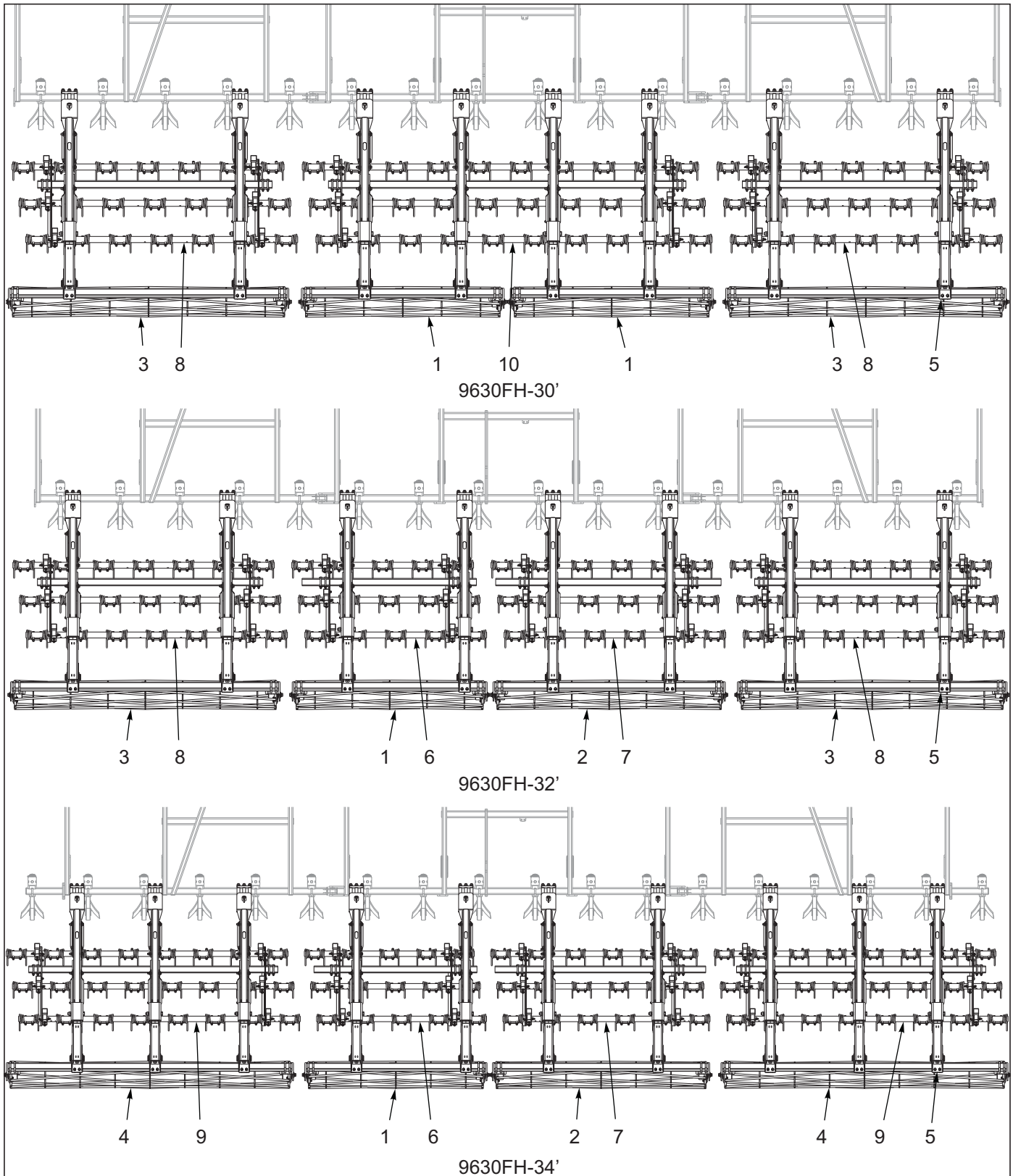


Figure 1-31: 3 Row Tine and Reel Harrow Assembly

3 Row Tine And Reel Harrow Assembly

ITEM	PART NO.	DESCRIPTION	QTY		
--	229702	3 ROW TINE & REEL 9630-30	*		
--	229704	3 ROW TINE & REEL 9630-32	*		
--	229705	3 ROW TINE & REEL 9630-34	*		
1	200254	REEL ASSY 12 DIA X 75" (SEE PAGE 1-67)	2	1	1
2	200255	REEL ASSY 12 DIA X 90" (SEE PAGE 1-67)	--	1	1
3	200256	REEL ASSY 12 DIA X 105" (SEE PAGE 1-67)	2	2	--
4	200257	REEL ASSY, 12 DIA X 120" (SEE PAGE 1-67)	--	--	2
5	227670	ARM ASSY, TINE & REEL (SEE PAGE 1-57)	8	8	10
6	229711	HARROW ASSY, 5 TINE 3 ROW (SEE PAGE 1-59)	--	1	1
7	229712	HARROW ASSY, 6 TINE 3 ROW (SEE PAGE 1-59)	--	1	1
8	229713	HARROW ASSY, 7 TINE 3 ROW (SEE PAGE 1-59)	2	2	--
9	229714	HARROW ASSY, 8 TINE 3 ROW (SEE PAGE 1-59)	--	--	2
10	229716	HARROW ASSY, 10 TINE 3 ROW (SEE PAGE 1-59)	1	--	--

ILLUSTRATED PARTS LIST

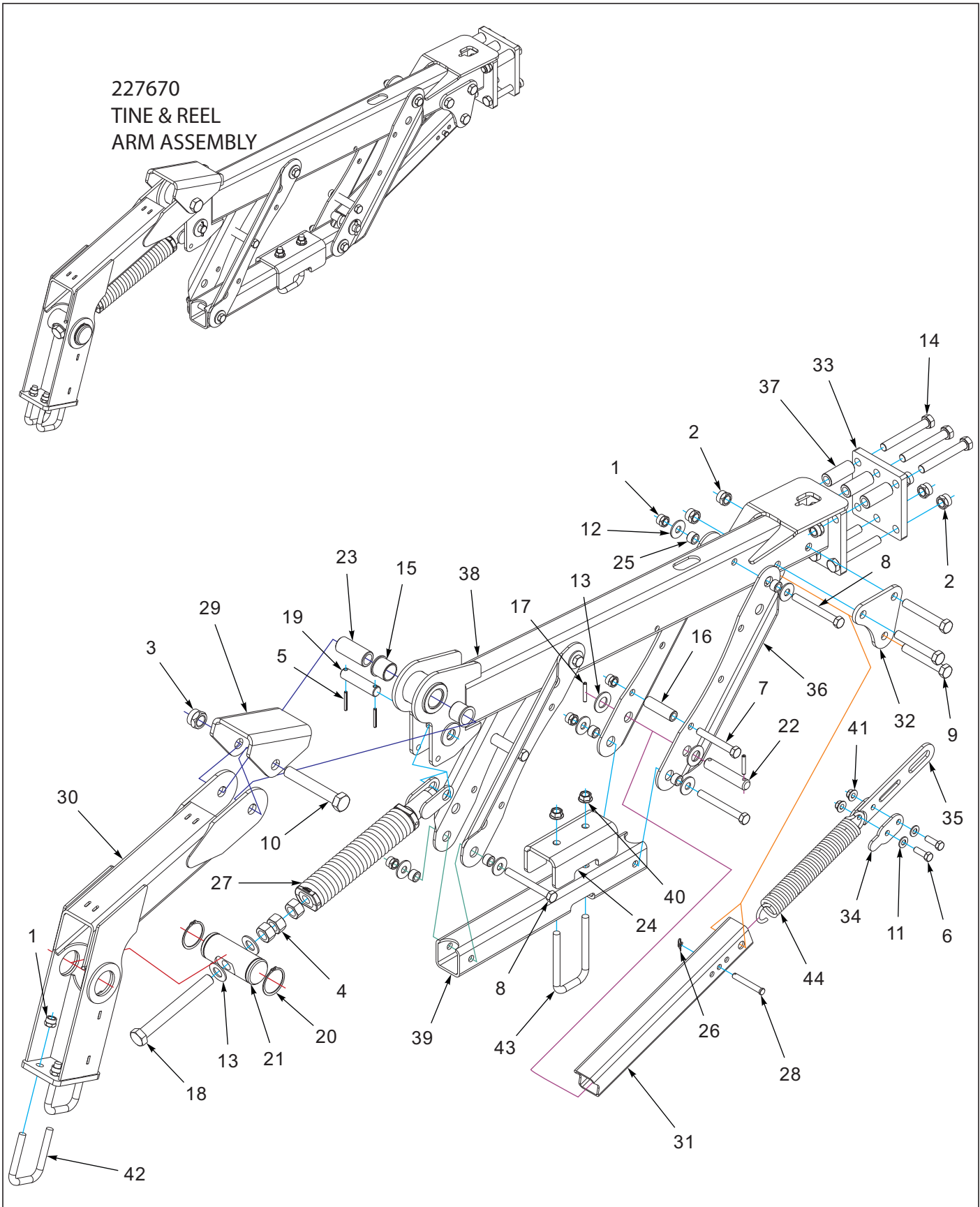


Figure 1-32: Tine & Reel Arm Assembly

Tine & Reel Arm Assembly

ITEM	PART NO.	DESCRIPTION	QTY.
--	227670	ARM ASSY, TINE & REEL	
1	1-512-010005-13	NUT,HEX SLFLKG GRB 5/8-11	10
2	1-512-010005-15	NUT,HEX,SLFLKG GRB 3/4-10	9
3	1-512-010005-19	NUT 1-8 HEX SLF-LOCKING GRB	1
4	1-512-010007-14	NUT, HEX 1-8 GR2 ZP	3
5	1-647-010004221	PIN,SPRING 1/4X2 SLOTTED	2
6	1-654-010055-03	SCREW,HEX CAP,1/2-13UNCX1-1/2	2
7	1-654-010059-14	SCREW HX CP,5/8-11UNCX4-1/2G5	2
8	1-654-010059-16	SCREW,HEX CAP,5/8-11UNCX5.50	4
9	1-654-010061-15	SCREW,HX CP 3/4-10UNCX5 GR5	3
10	1-654-010125-18	SCREW HEX CAP,1-8UNCX6-1/2GR8	1
11	1-861-010032-14	WASHER, FLAT 1/2" N ZP/CD	2
12	1-861-010032-19	WASHER, FLAT 5/8 W ZP/CD	8
13	1-861-010032-24	WASHER FL 1IN NARROW ZP	4
14	139201	SCREW,HX CP 3/4-10UNCX5.50GR8	6
15	140599	BEARING, FLANGE 1-1/2"	2
16	144325	BUSHING,PRESS WHEEL	2
17	147072	PIN, SPRING SLOTTED 5/16 X 2	2
18	152210	BOLT, ADJ, 1 X 9	1
19	156785	PIN 1 X 4-1/4	1
20	158896	SNAP RING, 2-1/2 SHAFT	2
21	158897	PIN, ADJUSTMENT	1
22	164293	PIN, 1 X 5-1/8	1
23	168739	BUSHING PIVOT 1-1/2 X 3-7/16	1
24	168753	CONNECTOR, HARROW LINK	1
25	168762	BUSHING, 1 X .640 X 5/8	8
26	172673	WRAP AROUND LOCKING COTTER	1
27	172677	SPRING ASSY, W/ANCHOR	1
28	176625	PIN, CLEVIS 1/2 X 3-1/2	1
29	191459	STOP, HARROW ARM	1
30	199359	ARM WLDMT REEL	1
31	199376	TUBE, HARROW SPRING	1
32	199390	BRACKET, SPRING HOOK	2
33	208187	MOUNTING PLATE, HARROW 6-BOLT	1
34	209797	CLAMP, SPRING	2
35	209798	STOP, HARROW SPRING	1
36	209799	MOUNT, HARROW BAR	2
37	211056	BUSHING, CLAMP 3" L	3
38	227666	ARM, HARROW 6-BOLT WLDMT	1
39	227671	MOUNT, TINE BAR	1
40	29SFFL 5811	NUT,FLANGE HEAD LOCK5/8-11UNC	2
41	4K552	SELF-LOCKING FLANGE NUT 1/2-13	2
42	8-102-010012	U BOLT	2
43	8-102-010043	U-BOLT, SPING CLAMP	1
44	8-720-010011	HARROW SPRING	1

ILLUSTRATED PARTS LIST

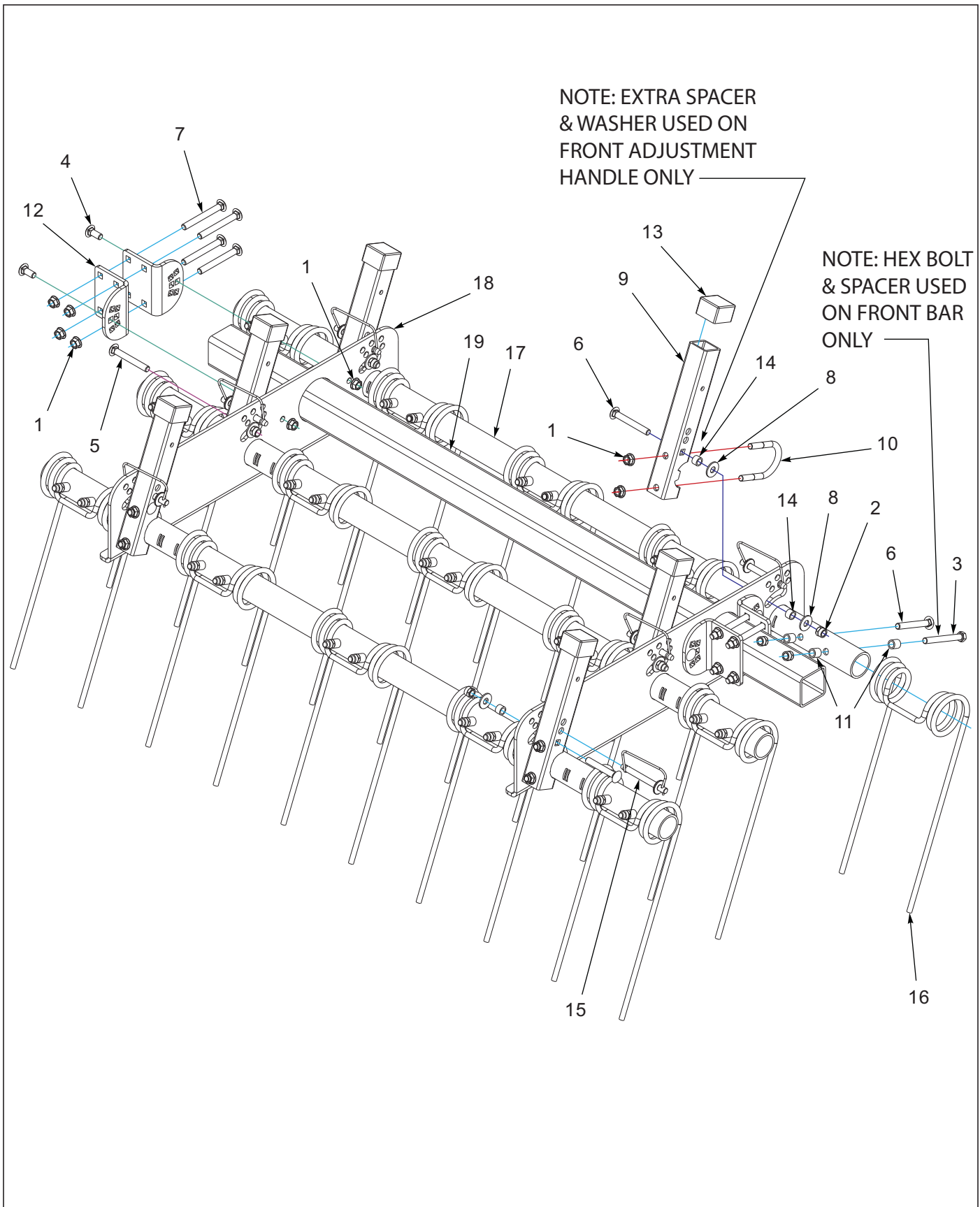


Figure 1-33: 3 Row Coil Tine Harrow Assembly

3 Row Coil Tine Harrow Assembly

ITEM	PART NO.	DESCRIPTION	QTY.				
--	229711	HARROW ASSY, 5 TINE 3 ROW	*				
--	229712	HARROW ASSY, 6 TINE 3 ROW	*				
--	229713	HARROW ASSY, 7 TINE 3 ROW	*				
--	229714	HARROW ASSY, 8 TINE 3 ROW	*				
--	229716	HARROW ASSY, 10 TINE 3 ROW	*				
1	1-510-010003-09	NUT,1/2-13 FLANGE HD,SERRATED	24	24	24	24	24
2	1-512-010005-09	NUT,HEX,SLFLKG, 1/2-13 GRB	36	42	48	54	66
3	1-654-010055-14	SCREW,HX CP,1/2-13UNCX4-1/2G5	6	6	6	8	10
4	1-654-010070-02	SCREW 1/2-13X1-1/4 RD HD SQNK	4	4	4	4	4
5	1-654-010070-11	SCREW,RDHD,SQNK 1/2-13X3-1/2	4	4	4	4	4
6	1-654-010070-13	SCREW,RH HD, SQ NCK 1/2-13X4	27	32	37	42	52
7	1-654-010070-14	SCREW 1/2-13X4-1/2RDHD SQNCK	8	8	8	8	8
8	1-861-010032-15	WASHER, FLAT 1/2 W ZP/CD	8	8	8	8	8
9	154994	TUBE ANGLE ADJUST	6	6	6	6	6
10	154995	U-BOLT, 1/2	6	6	6	6	6
11	154997	TUBE 0.75ODX0.532IDX0.75 ZP	35	42	49	56	70
12	154998	PLATE ANGLE ADJUSTMENT	4	4	4	4	4
13	155927	CAP, TUBE 1.95X1.5 BLACK	6	6	6	6	6
14	155956	BUSHING ANGLE ADJUSTMENT	8	8	8	8	8
15	155971	PIN, HARROW ADJ	6	6	6	6	6
16	164315	TINE, HARROW 7/16 X 18	15	18	21	24	30
17	164318	GANG BAR 5 TINE 8IN 73"	3	--	--	--	--
17	164319	GANG BAR 6 TINE 8 IN 89"	--	3	--	--	--
17	164320	GANG BAR 7 TINE 8IN 105"	--	--	3	--	--
17	164321	GANG BAR 8 TINE 8 IN 121"	--	--	--	3	--
17	164323	GANG BAR 10 TINE 8IN 153"	--	--	--	--	3
18	166336	PLATE, GANG BAR 3 ROW	2	2	2	2	2
19	170870	TUBE, SQ 3 X 3/16 X 70	1	--	--	--	--
19	156778	TUBE RIDE BAR 90.5"	--	1	1	--	--
19	155005	TUBE SQ 3 X 3/16X107	--	--	--	1	--
19	156779	TUBE RIDE BAR 138"	--	--	--	--	1

5 Row Spike Harrow Assembly

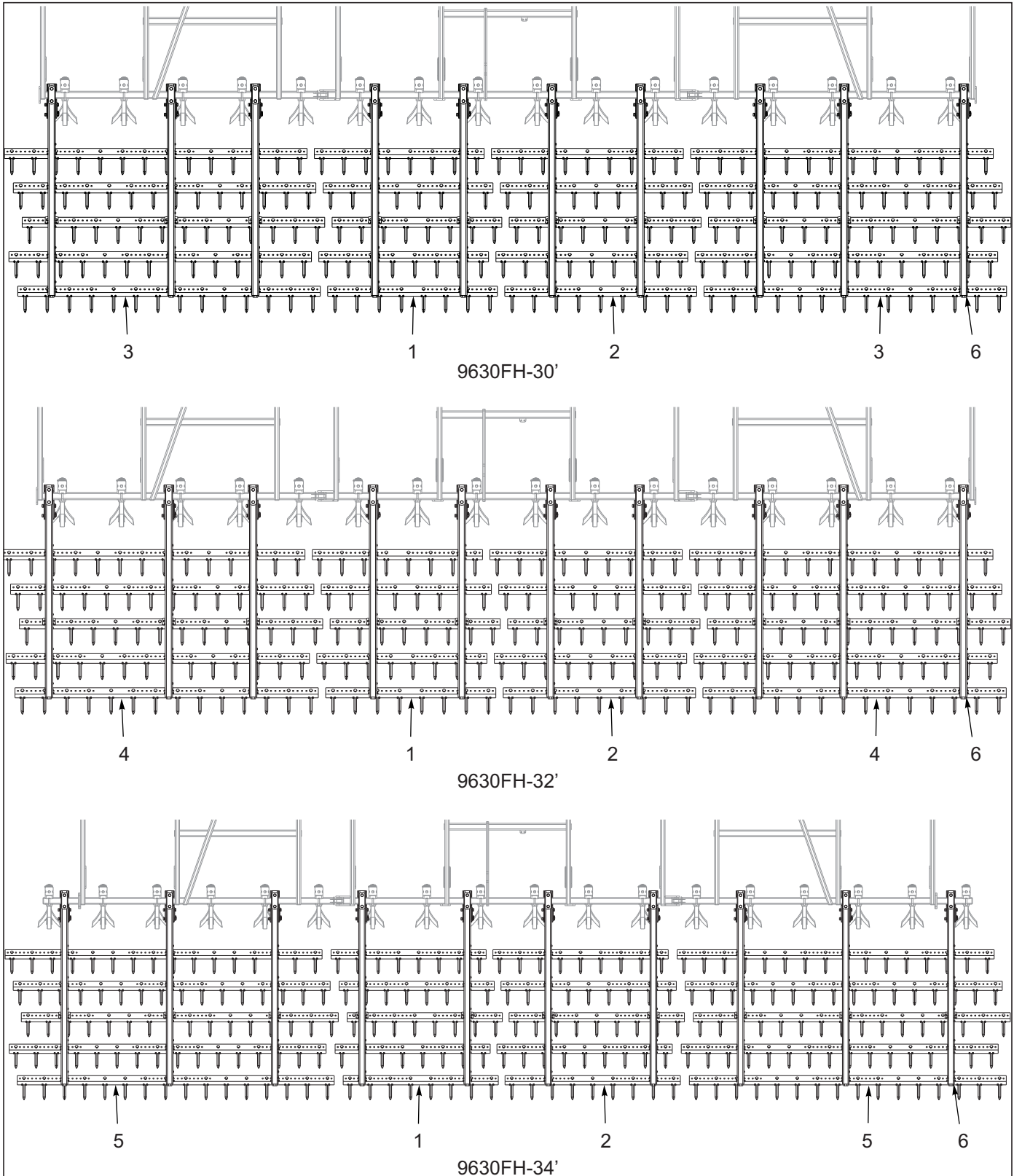


Figure 1-34: 5 Row Spike Harrow Assembly

5 Row Spike Harrow Assembly

ITEM	PART NO.	DESCRIPTION	QTY.		
--	187529	5ROW SPIKE HARROW 9630-30 ASSY	*		
--	187531	5ROW SPIKE HARROW 9630-32 ASSY	*		
--	187532	5ROW SPIKE HARROW 9630-34 ASSY	*		
1	186187	SPIKE BAR ASSY, 8 TOOTH 9SP (SEE PAGE 1-73)	5	5	5
2	186188	SPIKE BAR ASSY, 9 TOOTH 9SP (SEE PAGE 1-73)	5	5	5
3	186192	SPIKE BAR ASSY, 13 TOOTH 9SP (SEE PAGE 1-73)	10	--	--
4	186170	SPIKE BAR ASSY, 14 TOOTH 9SP (SEE PAGE 1-73)	--	10	--
5	186166	SPIKE BAR ASSY, 16 TOOTH 9SP (SEE PAGE 1-73)	--	--	10
6	186195	ARM ASSY, SPIKE HARROW 5R (SEE PAGE 1-63)	10	10	10

ILLUSTRATED PARTS LIST

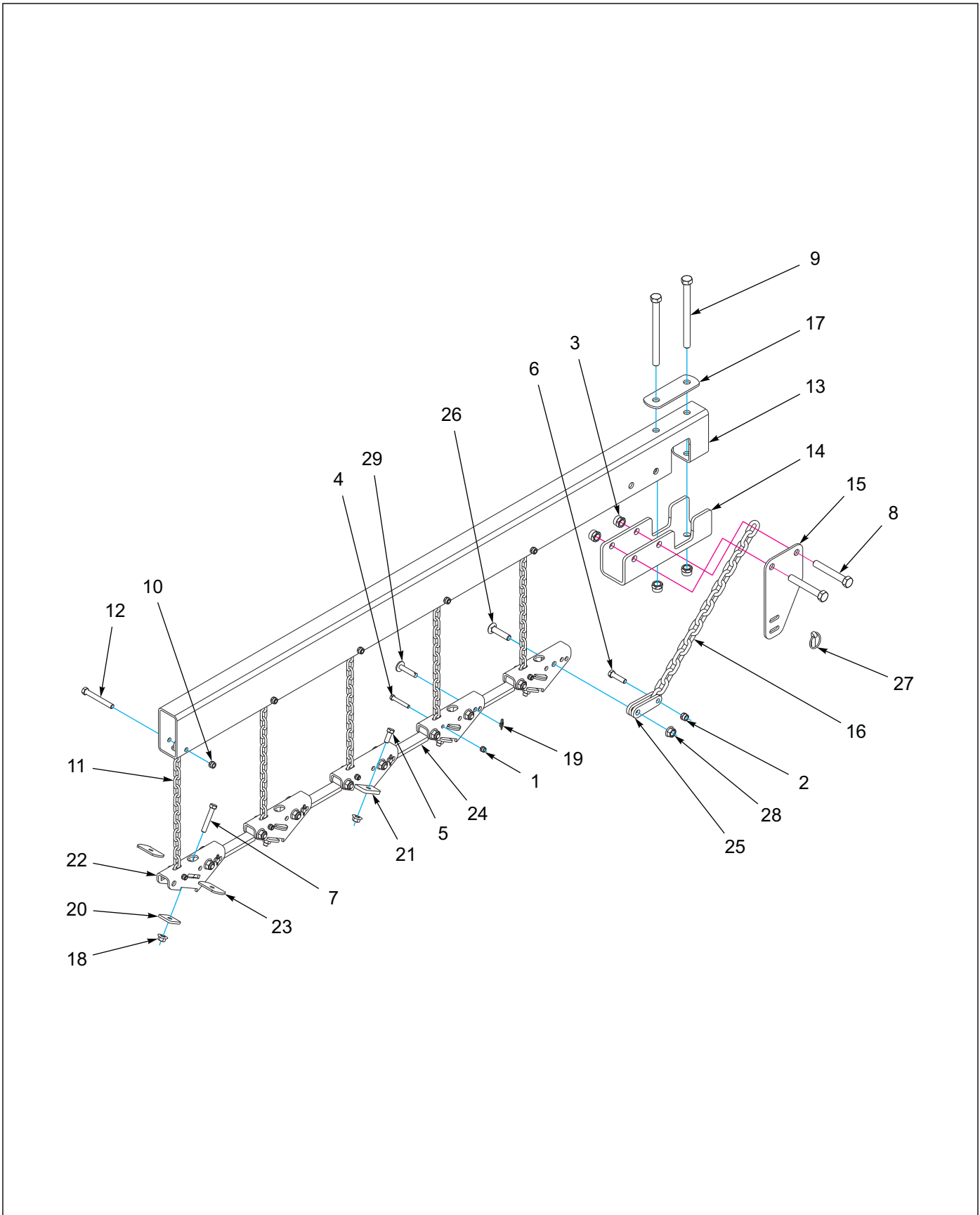


Figure 1-35: Arm Assembly 5 Row Spike Harrow

Arm Assembly 5 Row Spike Harrow

ITEM	PART NO.	DESCRIPTION	QTY.
--	186195	ARM ASSEMBLY, SPIKE HARROW 5 ROW	
1	1-512-010005-05	NUT, HEX, SLFLKG, 3/8-16 GRB	5
2	1-512-010005-09	NUT, HEX, SLFLKG, 1/2-13 GRB	1
3	1-512-010005-15	NUT, HEX, SLFLKG, 3/4-10 GRB	4
4	1-654-010051-11	SCREW, HEX CP, 3/8-16 X 2-1/2 G5ZP	5
5	1-654-010055-02	SCREW, 1/2-13 UNC X 1-1/4, CP GR5	2
6	1-654-010055-05	SCREW, HEX CAP, 1/2-13, UNC X 2 GR5	1
7	1-654-010055-09	SCREW, HEX CAP, 1/2-13, UNC X 3 GR5	4
8	1-654-010061-15	SCREW, HEX CAP, 3/4-10, UNC X 5 GR5	2
9	1-654-010061-23	SCREW, HEX, 3/4-10, UNC X 9 GR5	2
10	101988	NUT,HEX, SLF-LKG, 7/16-14 GRB	5
11	133937	CHAIN, LIFTING HARROW, WP	5
12	141808	SCREW, HEX CAP, 7/16-14 UNC X 3-1/2 G5	5
13	166175	ARM SPIKE HARROW, 5 ROW	1
14	166176	CLAMP, SPIKE HARROW ARM	1
15	166177	BRACKET, PULL CHAIN	1
16	166242	CHAIN, PULL, 3/8	1
17	168897	CLAMP PLATE, HARROW ARM	1
18	172509	NUT,1/2-13 WIDE FLNG TOP LCK F	6
19	172673	WRAP AROUND LOCKING COTTER	4
20	186193	CLAMP PLATE, SPIKE BAR	4
21	186200	MOUNT, HARROW BAR W/TABS	1
22	186204	MOUNT, HARROW BAR	4
23	186205	PLATE, BAR CLAMP	8
24	185697	LINK, HARROW BAR	4
25	186210	CONNECTOR, PULL CHAIN	2
26	187517	SCREW, RDHD SHT SQNK, 5/8-11 X 2.75	9
27	2-557-010009	PIN, LYNCH	1
28	29SFFL 5811	NUT,FLANGE HEAD LOCK5/8-11UNC	9
29	8C520	CLEVIS PIN	4

ILLUSTRATED PARTS LIST

3 Row Spike and Reel Assembly

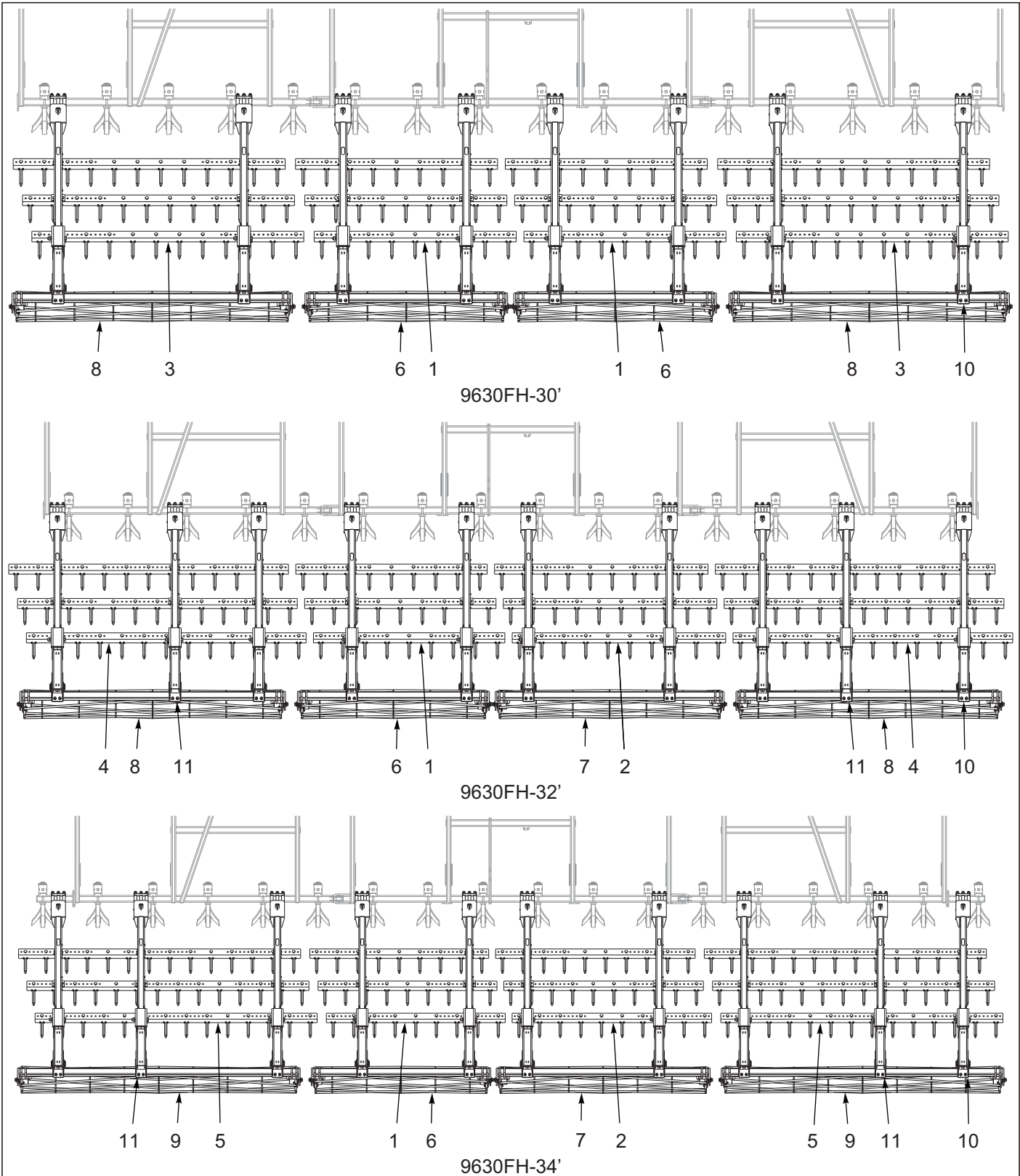


Figure 1-36: 3 Row Spike and Reel Harrow Assembly

3 Row Spike And Reel Harrow Assembly

ITEM	PART NO.	DESCRIPTION	QTY.		
--	229691	3 ROW SPIKE & REEL 9630-30	*		
--	229693	3 ROW SPIKE & REEL 9630-32		*	
--	229694	3 ROW SPIKE & REEL 9630-34			*
1	186188	SPIKE BAR ASSY, 9 TOOTH 9SP (SEE PAGE 1-73)	6	3	3
2	186189	SPIKE BAR ASSY, 10 TOOTH 9SP (SEE PAGE 1-73)	--	3	3
3	186191	SPIKE BAR ASSY, 12 TOOTH 9SP (SEE PAGE 1-73)	6	--	--
4	186192	SPIKE BAR ASSY, 13 TOOTH 9SP (SEE PAGE 1-73)	--	6	--
5	186170	SPIKE BAR ASSY, 14 TOOTH 9SP (SEE PAGE 1-73)	--	--	6
6	200254	REEL ASSY 12 DIA X 75" (SEE PAGE 1-67)	2	1	1
7	200255	REEL ASSY 12 DIA X 90" (SEE PAGE 1-67)	--	1	1
8	200256	REEL ASSY 12 DIA X 105" (SEE PAGE 1-67)	2	2	--
9	200257	REEL ASSY, 12 DIA X 120" (SEE PAGE 1-67)	--	--	2
10	229718	ARM ASSY 3 RSD (SEE PAGE 1-75)	8	8	8
11	229719	ARM ASSY 3 RSD W/O SPRING (SEE PAGE 1-77)	--	2	2

ILLUSTRATED PARTS LIST

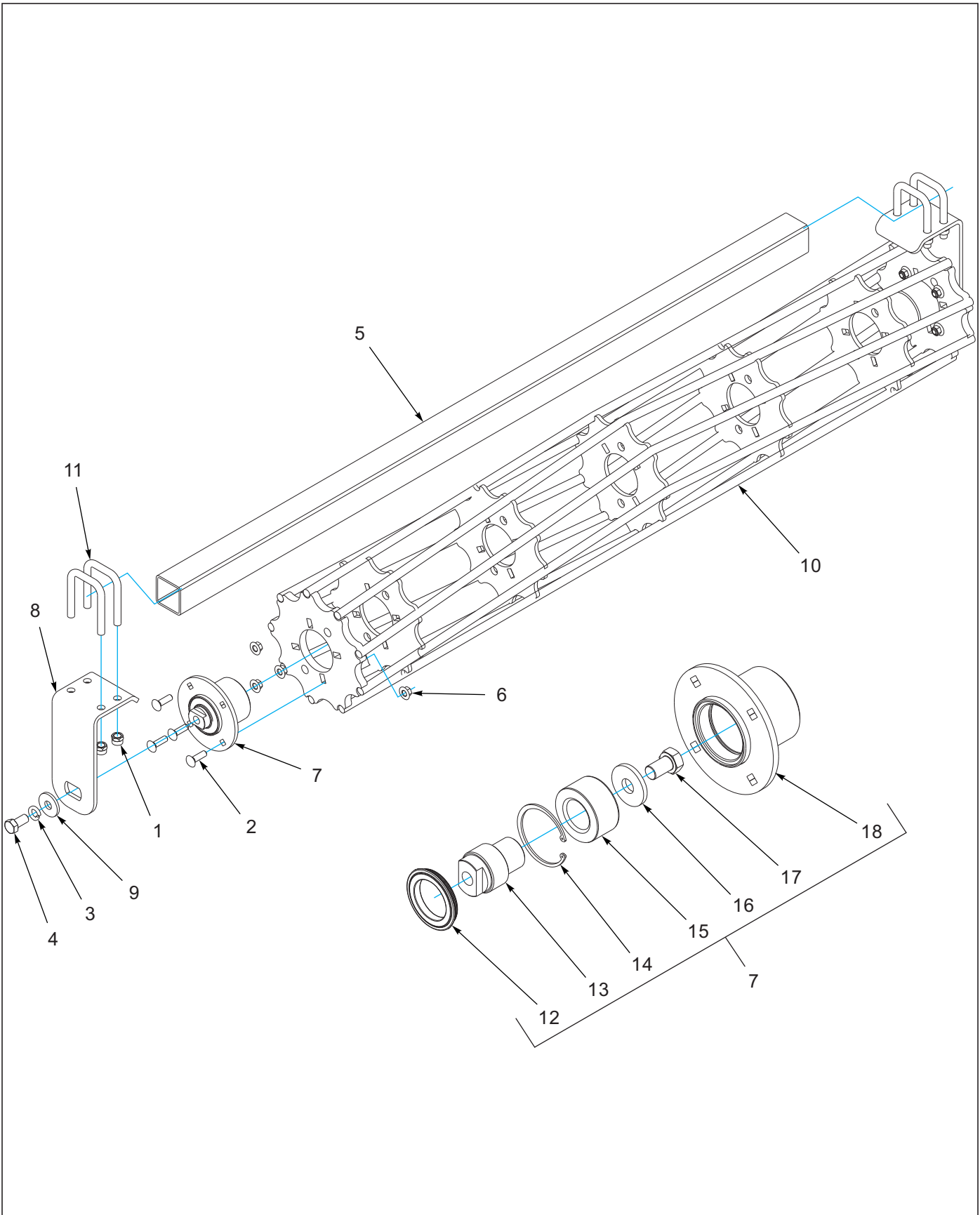


Figure 1-37: Reel Assembly

Reel Assembly

ITEM	PART NO.	DESCRIPTION	QTY.			
--	200254	REEL ASSY 12 DIA X 75"	*			
--	200255	REEL ASSY 12 DIA X 90"		*		
--	200256	REEL ASSY 12 DIA X 105"			*	
--	200257	REEL ASSY, 12 DIA X 120"				*
1	1-512-010005-13	NUT,HEX SLFLKG GRB 5/8-11	8	8	8	8
2	1-654-010070-04	SCREW RDHD SQNK 1/2-13X1-3/4	8	8	8	8
3	1-861-010034-17	WASHER,LKG,HLCL SPR,3/4	2	2	2	2
4	108705	SCREW,HEXCAP,3/4-10X1-1/2 GR8	2	2	2	2
5	166341	GANG BAR REEL 77 L	1	--	--	--
5	166342	GANG BAR REEL 92 L	--	1	--	--
5	166343	GANG BAR REEL 107 L	--	--	1	--
5	166344	GANG BAR REEL 122 L	--	--	--	1
6	172509	NUT,1/2-13 WIDE FLNG TOP LCK F	8	8	8	8
7	200222	HUB ASSY REEL (INCLUDES ITEMS 12-18)	2	2	2	2
8	200238	BEARING MOUNT, REEL	2	2	2	2
9	200259	WASHER, 3/4 HEAVY - 2-1/4	2	2	2	2
10	225124	REEL WLDMT, 12 DIA X 75" RD	1	--	--	--
10	225125	REEL WLDMT, 12 DIA X 90" RD	--	1	--	--
10	225126	REEL WLDMT, 12 DIA X 105" RD	--	--	1	--
10	225127	REEL WLDMT, 12 DIA X 120" RD	--	--	--	1
11	8-102-010012	U BOLT	4	4	4	4
12	185757	SEAL, MAINT FREE HUB HSL	2	2	2	2
13	200218	SPINDLE REEL BEARING	2	2	2	2
14	174532	INTERNAL SNAP RING	2	2	2	2
15	174526	BEARING, DOUBLE TAPER RLLR	2	2	2	2
16	200259	WASHER, 3/4 HEAVY - 2-1/4	2	2	2	2
17	129263	SCREW HEX CAP 3/4-10 X 1-1/4	2	2	2	2
18	200221	HUB WLDMT REEL	2	2	2	2

3 RSD and Flat Reel Assemblies

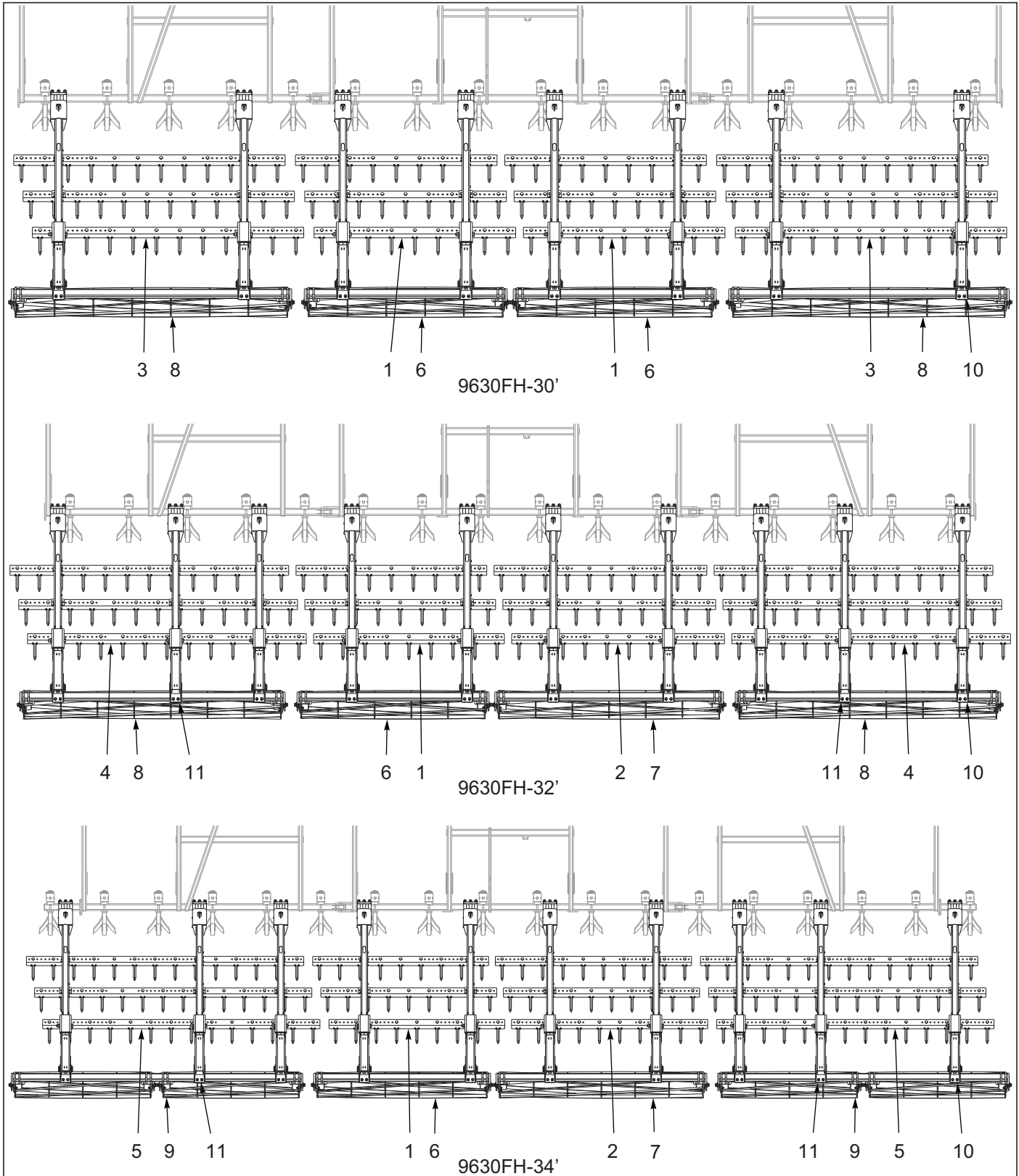


Figure 1-38: 3 RSD and Flat Reel Assembly

3 RSD And Flat Reel Assembly

ITEM	PART NO.	DESCRIPTION	QTY.		
--	229734	3 RSD & FLAT REEL 9630-30	*		
--	229736	3 RSD & FLAT REEL 9630-32		*	
--	229737	3 RSD & FLAT REEL 9630-34			*
1	186188	SPIKE BAR ASSY, 9 TOOTH 9SP (SEE PAGE 1-73)	6	3	3
2	186189	SPIKE BAR ASSY, 10 TOOTH 9SP (SEE PAGE 1-73)	--	3	3
3	186191	SPIKE BAR ASSY, 12 TOOTH 9SP (SEE PAGE 1-73)	6	--	--
4	186192	SPIKE BAR ASSY, 13 TOOTH 9SP (SEE PAGE 1-73)	--	6	--
5	186170	SPIKE BAR ASSY, 14 TOOTH 9SP (SEE PAGE 1-73)	--	--	6
6	203185	REEL ASSY 12 DIA X 75" (SEE PAGE 1-71)	2	1	1
7	203186	REEL ASSY 12 DIA X 90" (SEE PAGE 1-71)	--	1	1
8	203187	REEL ASSY 12 DIA X 105" (SEE PAGE 1-71)	2	2	--
9	203188	REEL ASSY 12 DIA X 120" (SEE PAGE 1-71)	--	--	2
10	229718	ARM ASSY 3 RSD (SEE PAGE 1-75)	8	8	8
11	229719	ARM ASSY 3 RSD W/O SPRING (SEE PAGE 1-77)	--	2	2

ILLUSTRATED PARTS LIST

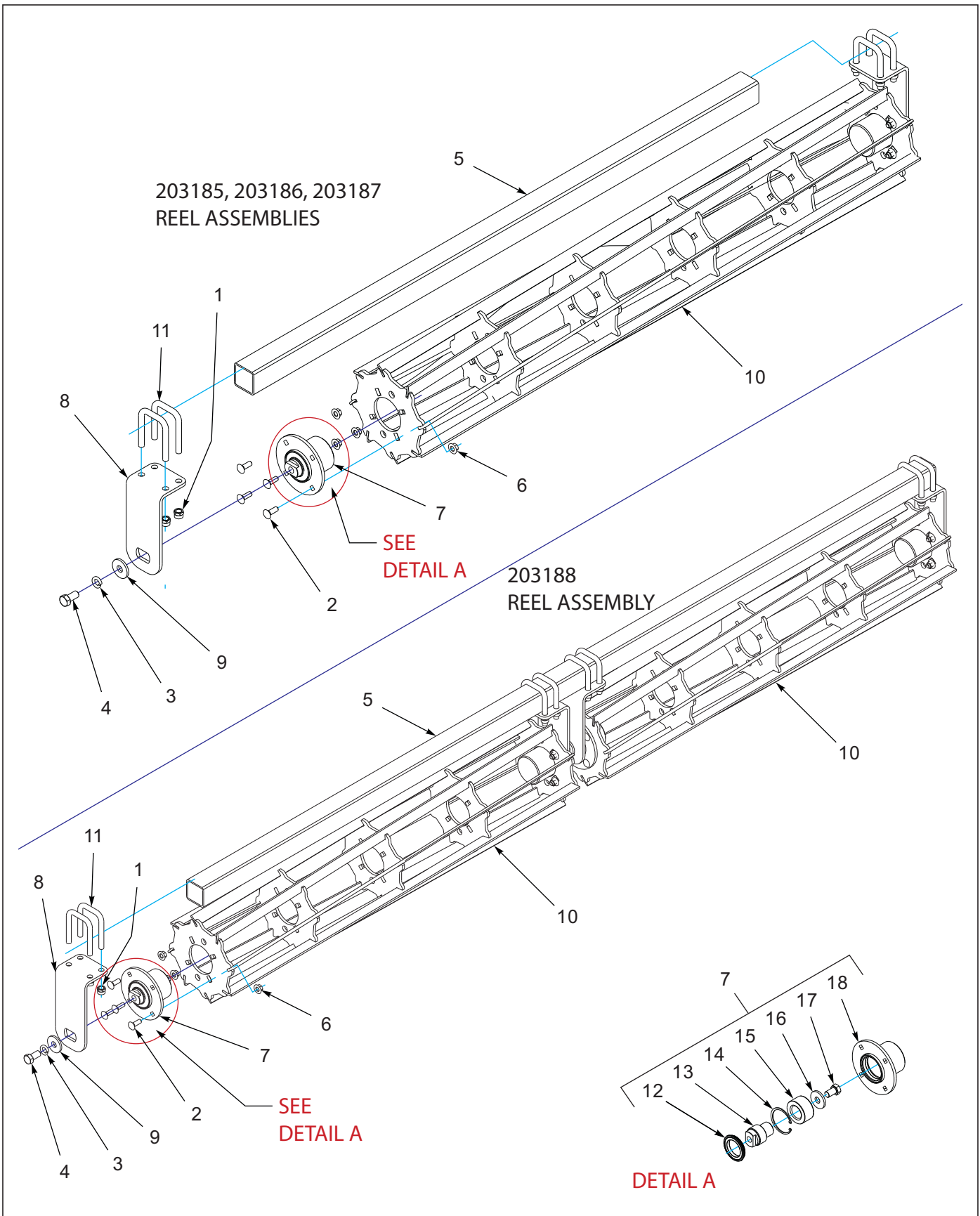


Figure 1-39: Flat Reel Assembly

Flat Reel Assembly

ITEM	PART NO.	DESCRIPTION	QTY.			
--	203185	REEL ASSY 12 DIA X 75"	*			
--	203186	REEL ASSY 12 DIA X 90"	*			
--	203187	REEL ASSY 12 DIA X 105"	*			
--	203188	REEL ASSY 12 DIA X 120"	*			
1	1-512-010005-13	NUT,HEX SLFLKG GRB 5/8-11	8	8	8	16
2	1-654-010070-03	SCREW RDHD SQNK1/2-13X1-1/2	8	8	8	16
3	1-861-010034-17	WASHER,LKG,HLCL SPR,3/4	2	2	2	4
4	108705	SCREW,HEXCAP,3/4-10X1-1/2 GR8	2	2	2	4
5	166341	GANG BAR, REEL, 77 L	1	--	--	--
5	166342	GANG BAR, REEL, 92 L	--	1	--	--
5	166343	GANG BAR, REEL, 107"	--	--	1	--
5	204380	GANG BAR, REEL 128"	--	--	--	1
6	172509	NUT,1/2-13 WIDE FLNG TOP LCK F	8	8	8	16
7	200222	HUB ASSY REEL	2	2	2	4
8	200238	BEARING MOUNT, REEL	2	2	2	4
9	200259	WASHER, 3/4 HEAVY - 2-1/4	2	2	2	4
10	200296	REEL, 12" DIA X 60" FLAT WLDMT	--	--	--	2
10	200297	REEL WLDMT 12" DIA X 75" FLAT	1	--	--	--
10	200298	REEL WLDMT 12" DIA X 90" FLAT	--	1	--	--
10	200299	REEL WLDMT 12" DIA X 105" FLAT	--	--	1	--
11	8-102-010012	U BOLT	4	4	4	8
12	185757	SEAL, MAINT FREE HUB HSL	2	2	2	4
13	200218	SPINDLE REEL BEARING	2	2	2	4
14	174532	INTERNAL SNAP RING	2	2	2	4
15	174526	BEARING, DOUBLE TAPER RLLR	2	2	2	4
16	200259	WASHER, 3/4 HEAVY - 2-1/4	2	2	2	4
17	129263	SCREW HEX CAP 3/4-10 X 1-1/4	2	2	2	4
18	200221	HUB WLDMT REEL	2	2	2	4

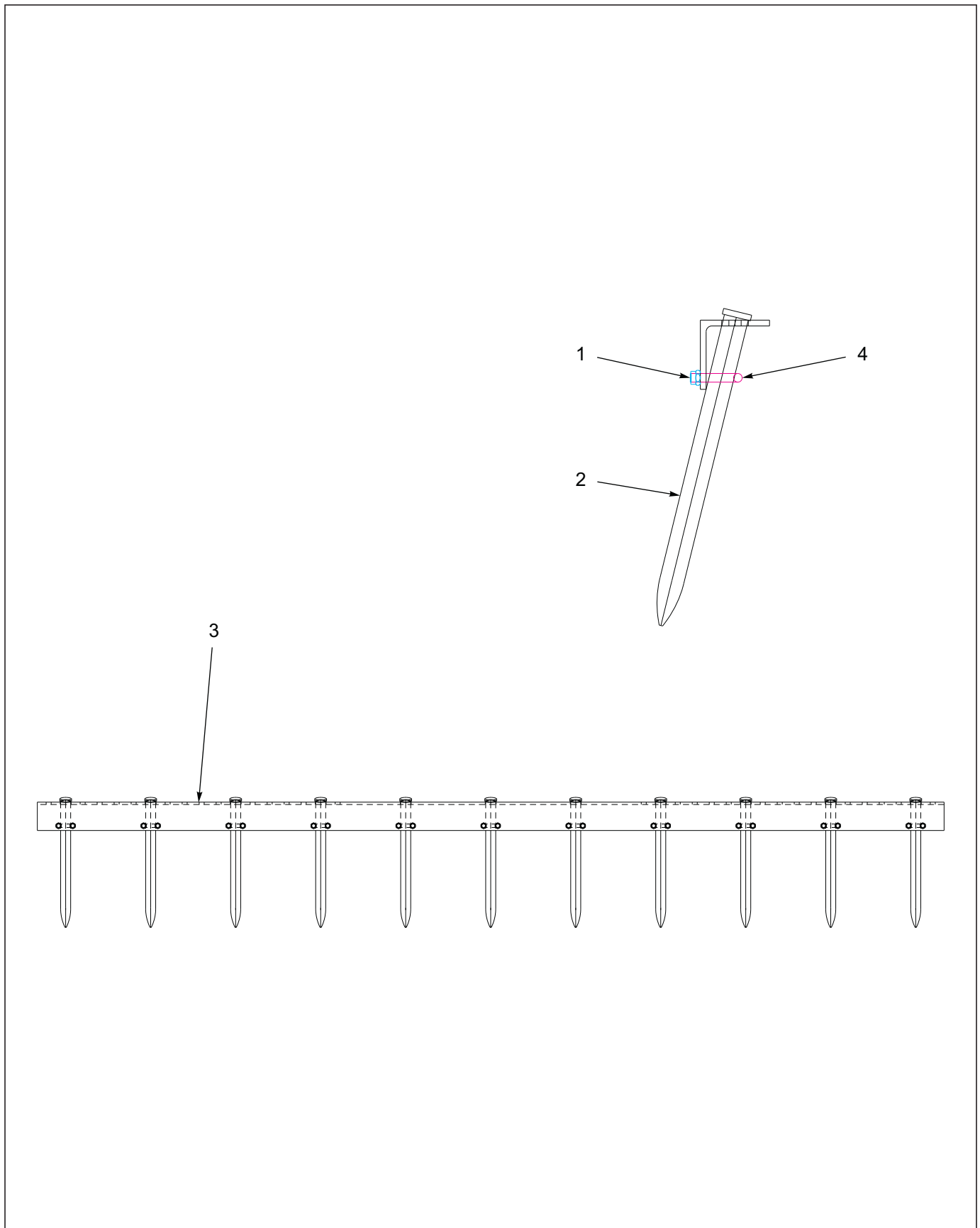


Figure 1-40: Spike Bar Assembly, 9 SP

Spike Bar Assembly, 9 SP

ITEM	PART NO.	DESCRIPTION	QTY.											
--	186187	SPIKE BAR ASSY, 8 TOOTH 9SP	*											
--	186188	SPIKE BAR ASSY, 9 TOOTH 9SP		*										
--	186189	SPIKE BAR ASSY, 10 TOOTH 9SP			*									
--	186191	SPIKE BAR ASSY, 12 TOOTH 9SP				*								
--	186192	SPIKE BAR ASSY, 13 TOOTH 9SP					*							
--	186170	SPIKE BAR ASSY, 14 TOOTH 9SP							*					
--	186166	SPIKE BAR ASSY, 16 TOOTH 9SP									*			
1	1-512-010005-05	NUT, HEX, SLFLKG, 3/8-16, UNC GRB	16	18	20	24	26	28	32					
2	166148	SPIKE, TOOTH, 3/4 SQ X 14	8	9	10	12	13	14	16					
3	186178	SPIKE BAR, 8T 69 9SP	1	--	--	--	--	--	--					
3	186179	SPIKE BAR, 9T 78 9SP	--	1	--	--	--	--	--					
3	186180	SPIKE BAR, 10T 87 9SP	--	--	1	--	--	--	--					
3	186182	SPIKE BAR, 12T 105 9SP	--	--	--	1	--	--	--					
3	186183	SPIKE BAR, 13T 114 9SP	--	--	--	--	1	--	--					
3	186169	SPIKE BAR, 14T 123 9SP	--	--	--	--	--	1	--					
3	186165	SPIKE BAR, 16T 141 9SP	--	--	--	--	--	--	1					
4	8-102-010017	U-BOLT, SPIKE ANCHOR	8	9	10	12	13	14	16					

ILLUSTRATED PARTS LIST

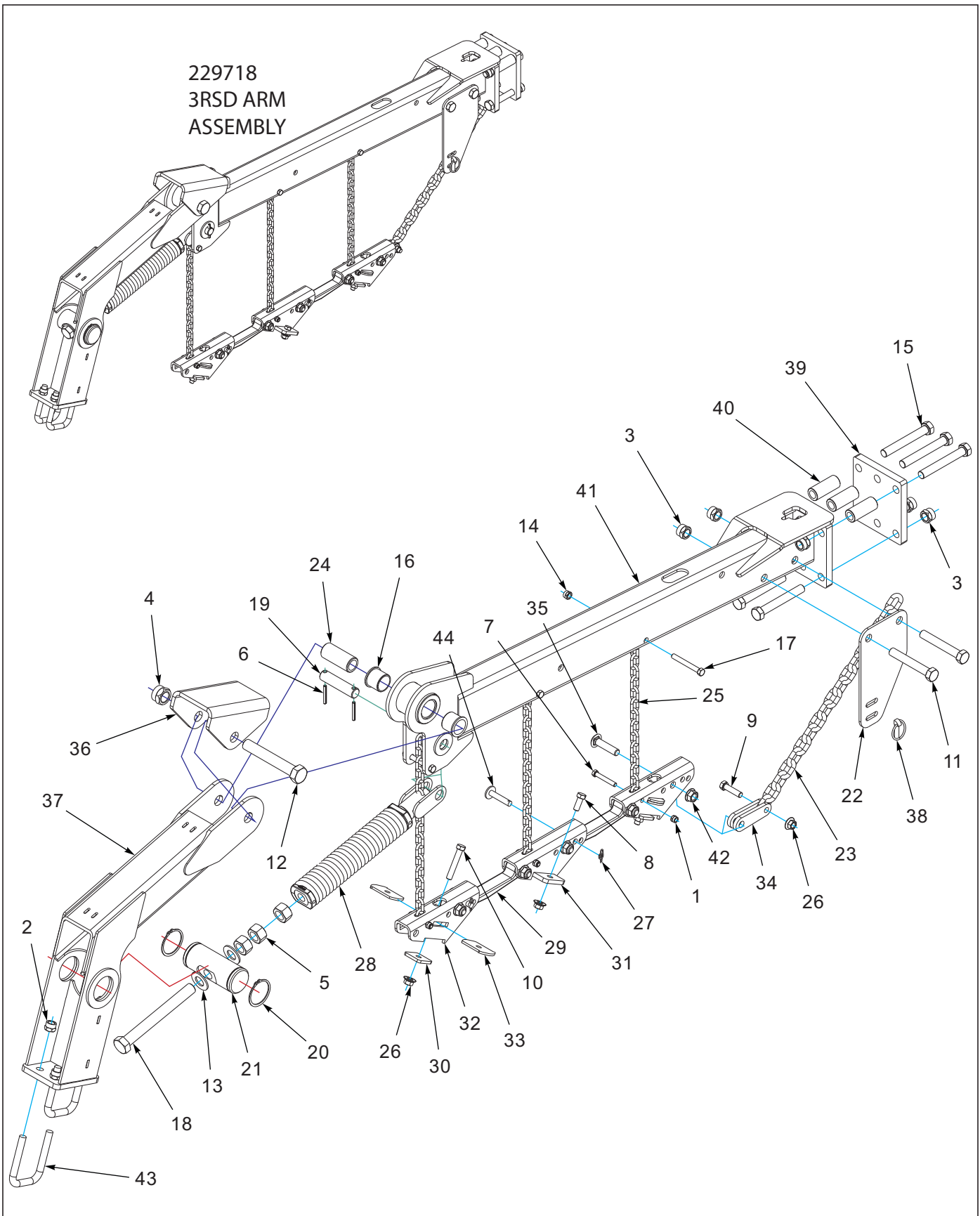


Figure 1-41: 3 RSD Arm Assembly

3 RSD Arm Assembly

ITEM	PART NO.	DESCRIPTION	QTY.
--	229718	ARM ASSY 3 RSD	
1	1-512-010005-05	NUT, HEX, SLFLKG GRB 3/8-16	3
2	1-512-010005-13	NUT,HEX SLFLKG GRB 5/8-11	4
3	1-512-010005-15	NUT,HEX,SLFLKG GRB 3/4-10	8
4	1-512-010005-19	NUT 1-8 HEX SLF-LOCKING GRB	1
5	1-512-010007-14	NUT, HEX 1-8 GR2 ZP	3
6	1-647-010004221	PIN,SPRING 1/4X2 SLOTTED	2
7	1-654-010051-11	SCREW HX CP 3/8-16X2-1/2 G5ZP	3
8	1-654-010055-02	SCREW 1/2-13UNCX1-1/4 CP GR5	2
9	1-654-010055-05	SCREW,HEX CAP,1/2-13UNCX2 GR5	1
10	1-654-010055-09	SCREW,HX CP,1/2-13UNCX3 GR5	2
11	1-654-010061-15	SCREW,HX CP 3/4-10UNCX5 GR5	2
12	1-654-010125-18	SCREW HEX CAP,1-8UNCX6-1/2GR8	1
13	1-861-010032-24	WASHER FL 1IN NARROW ZP	2
14	101988	NUT,HEXSLF-LKG 7/16-14 GRB	3
15	139201	SCREW,HX CP 3/4-10UNCX5.50GR8	6
16	140599	BEARING, FLANGE 1-1/2"	2
17	141808	SCREW HX CP7/16-14UNCX3-1/2G5	3
18	152210	BOLT, ADJ, 1 X 9	1
19	156785	PIN 1 X 4-1/4	1
20	158896	SNAP RING, 2-1/2 SHAFT	2
21	158897	PIN, ADJUSTMENT	1
22	166177	BRACKET, PULL CHAIN	1
23	166242	CHAIN, PULL 3/8	1
24	168739	BUSHING PIVOT 1-1/2 X 3-7/16	1
25	168764	CHAIN 17 LINK 1/4	3
26	172509	NUT,1/2-13 WIDE FLNG TOP LCK F	5
27	172673	WRAP AROUND LOCKING COTTER	2
28	172677	SPRING ASSY, W/ANCHOR	1
29	185697	LINK, HARROW BAR	2
30	186193	CLAMP PLATE, SPIKE BAR	2
31	186200	MOUNT, HARROW BAR W/TABS WLDMT	1
32	186204	MOUNT, HARROW BAR	2
33	186205	PLATE, BAR CLAMP	4
34	186210	CONNECTOR, PULL CHAIN	2
35	187517	SCREW RDHD SHT SQNK5/8-11X2.75	5
36	191459	STOP, HARROW ARM	1
37	199359	ARM WLDMT REEL	1
38	2-557-010009	PIN LYNCH	1
39	208187	MOUNTING PLATE, HARROW 6-BOLT	1
40	211056	BUSHING, CLAMP 3" L	3
41	227666	ARM, HARROW 6-BOLT WLDMT	1
42	29SFFL 5811	NUT,FLANGE HEAD LOCK5/8-11UNC	5
43	8-102-010012	U BOLT	2
44	8C520	CLEVIS PIN	2

ILLUSTRATED PARTS LIST

229719
3RSD ARM
W/O SPRING
ASSEMBLY

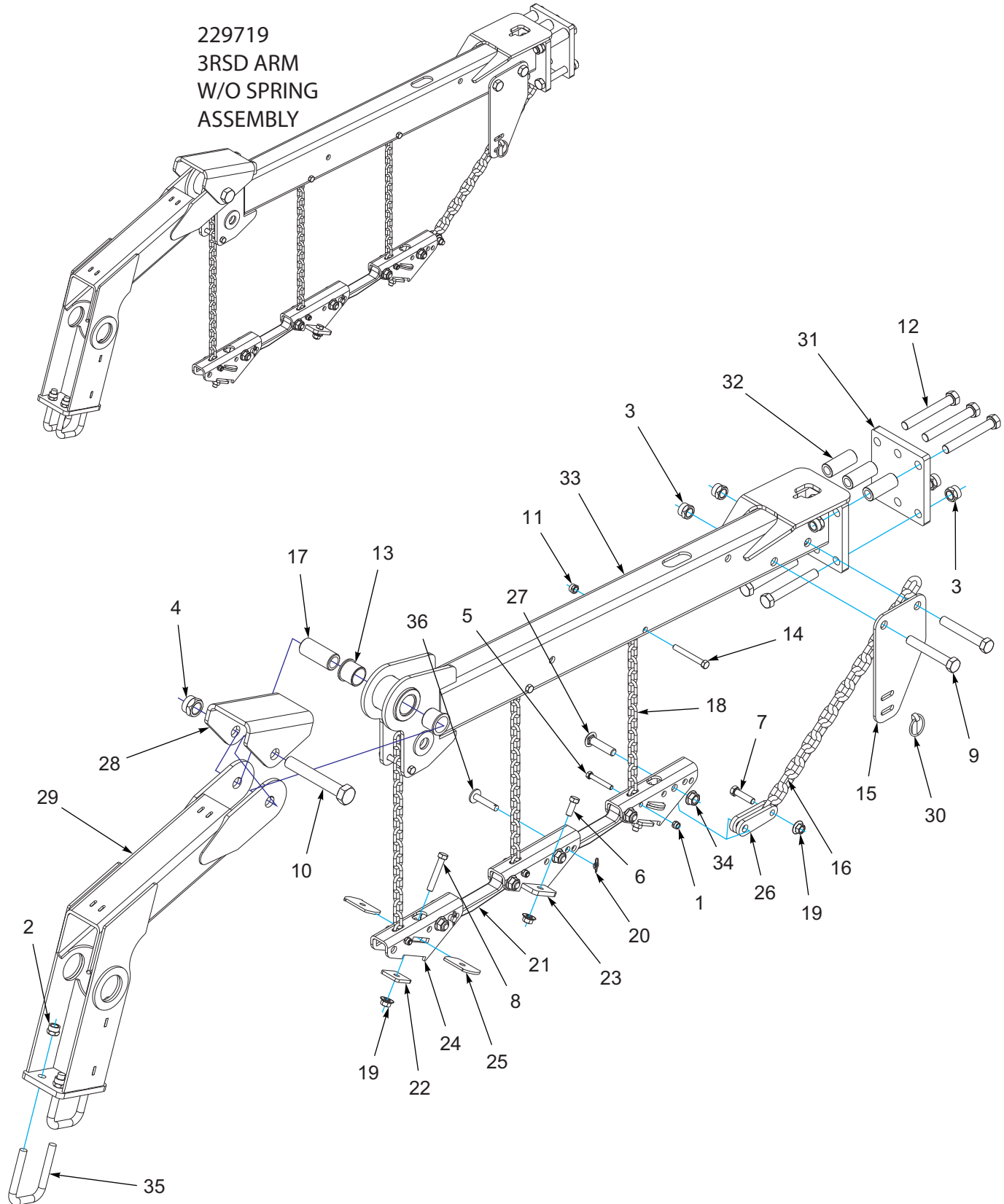


Figure 1-42: 3 RSD Arm Assembly W/O Spring

3 RSD Arm Assembly W/O Spring

ITEM	PART NO.	DESCRIPTION	QTY.
--	229719	ARM ASSY 3 RSD W/O SPRING	
1	1-512-010005-05	NUT, HEX, SLFLKG GRB 3/8-16	3
2	1-512-010005-13	NUT,HEX SLFLKG GRB 5/8-11	4
3	1-512-010005-15	NUT,HEX,SLFLKG GRB 3/4-10	8
4	1-512-010005-19	NUT 1-8 HEX SLF-LOCKING GRB	1
5	1-654-010051-11	SCREW HX CP 3/8-16X2-1/2 G5ZP	3
6	1-654-010055-02	SCREW 1/2-13UNCX1-1/4 CP GR5	2
7	1-654-010055-05	SCREW,HEX CAP,1/2-13UNCX2 GR5	1
8	1-654-010055-09	SCREW,HX CP,1/2-13UNCX3 GR5	2
9	1-654-010061-15	SCREW,HX CP 3/4-10UNCX5 GR5	2
10	1-654-010125-18	SCREW HEX CAP,1-8UNCX6-1/2GR8	1
11	101988	NUT,HEXSLF-LKG 7/16-14 GRB	3
12	139201	SCREW,HX CP 3/4-10UNCX5.50GR8	6
13	140599	BEARING, FLANGE 1-1/2"	2
14	141808	SCREW HX CP7/16-14UNCX3-1/2G5	3
15	166177	BRACKET, PULL CHAIN	1
16	166242	CHAIN, PULL 3/8	1
17	168739	BUSHING PIVOT 1-1/2 X 3-7/16	1
18	168764	CHAIN 17 LINK 1/4	3
19	172509	NUT,1/2-13 WIDE FLNG TOP LCK F	5
20	172673	WRAP AROUND LOCKING COTTER	2
21	185697	LINK, HARROW BAR	2
22	186193	CLAMP PLATE, SPIKE BAR	2
23	186200	MOUNT, HARROW BAR W/TABS WLDMT	1
24	186204	MOUNT, HARROW BAR	2
25	186205	PLATE, BAR CLAMP	4
26	186210	CONNECTOR, PULL CHAIN	2
27	187517	SCREW RDHD SHT SQNK5/8-11X2.75	5
28	191459	STOP, HARROW ARM	1
29	199359	ARM WLDMT REEL	1
30	2-557-010009	PIN LYNCH	1
31	208187	MOUNTING PLATE, HARROW 6-BOLT	1
32	211056	BUSHING, CLAMP 3" L	3
33	227666	ARM, HARROW 6-BOLT WLDMT	1
34	29SFFL 5811	NUT,FLANGE HEAD LOCK5/8-11UNC	5
35	8-102-010012	U BOLT	2
36	8C520	CLEVIS PIN	2

ILLUSTRATED PARTS LIST

Rear Tow Hitch Assembly

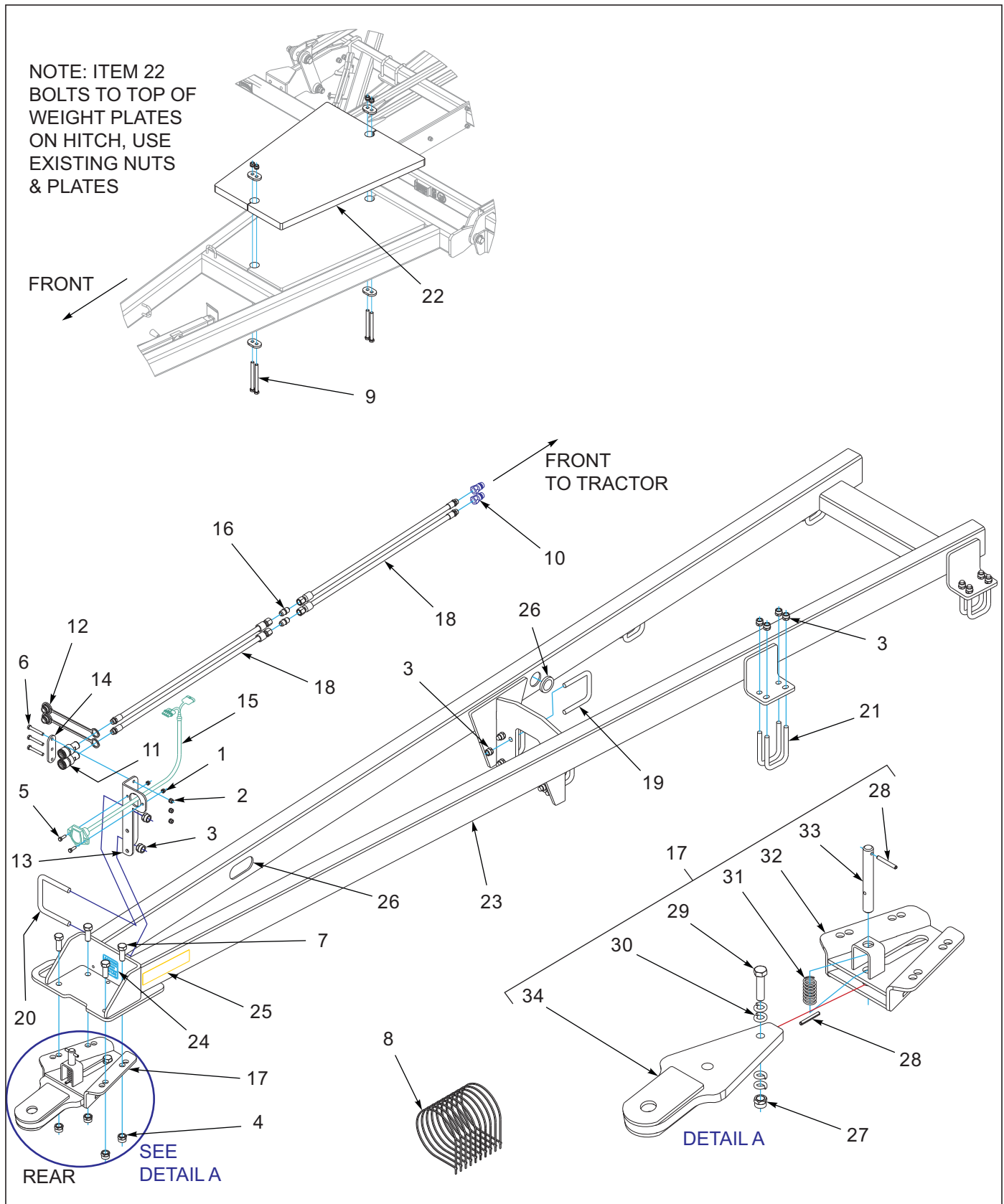


Figure 1-43: Rear Tow Hitch Assembly

Rear Tow Hitch Assembly

ITEM	PART NO.	DESCRIPTION	QTY.
--	231483	REAR TOW HITCH ASSY, 9600FH	
1	1-512-010005-03	NUT HEX SLFLKG GRB 5/16-18	2
2	1-512-010005-05	NUT, HEX, SLFLKG GRB 3/8-16	3
3	1-512-010005-13	NUT,HEX SLFLKG GRB 5/8-11	24
4	1-512-010005-15	NUT,HEX,SLFLKG GRB 3/4-10	6
5	1-654-010049-05	SCREW HX CP 5/16-18UNCX1 GR5	2
6	1-654-010051-11	SCREW HX CP 3/8-16X2-1/2 G5ZP	3
7	1-654-010061-05	SCREW,HHC,3/4-10UNCX2,GR5,ZP	4
8	105874	TIE,STRAP PLSTC 21.5-24X.301	10
9	126235	SCREW HEX 3/4-10UNCX10-1/2GR5	4
10	141828	COUPLER,MALE 3/4-16 O-RING	2
11	142668	COUPLER FEMALE 3/4-16 O-RING	2
12	142669	PLUG, COUPLER DUST	2
13	142670	BRACKET COUPLER MOUNT	1
14	142671	PLATE, COUPLER	1
15	143871	HARNESS, TANDEM ADAPTER	1
16	148338	FITTING, UNION SAE 37 8X8	2
17	191456	HITCH ASSY, REAR TOW 1-1/2HOLE (INCLUDES ITEMS 27-34)	1
18	194696	HOSE ASSY, 3/8X222 #8JICX#8OR	4
19	2-102-010004	BOLT U STANDARD GAUGE WHEEL	4
20	2-102-010039	U-BOLT, DISC BEARING BRKT	1
21	2-102-010054	U-BOLT	8
22	227665	PLATE, WEIGHT HITCH	1
23	231484	HITCH, REAR TOW WLDMT	1
24	231488	DECAL, MAXIMUM HITCH WEIGHT	1
25	528934	REFLECTOR - YELLOW	2
26	1-822-010001	TRIM 1350 3/8BLK FINE PEBBLE (CUT TO LENGTH)	
27	1-512-010005-15	NUT,HEX,SLFLKG GRB 3/4-10	1
28	1-647-010004240	PIN,SPRING,SLOTTED,5/16X2-1/2	2
29	1-654-010061-09	SCREW HX CP 3/4-10UNCX3 GR5	1
30	1-861-010034-17	WASHER,LKG,HLCL SPR,3/4	4
31	162191	SPRING, COMP 1.218 X 2.5	1
32	168768	MOUNT WLDMT REAR TOW HITCH	1
33	168773	PIN REAR TOW HITCH	1
34	183952	HITCH WLDMT REAR TOW RIGID	1

Numerics

0600-250-01250	1-29	129263	1-67, 1-71
0600-375-01500	1-7	1-298-010001-1	1-6, 1-7, 1-10, 1-15, 1-27, 1-29
100000362	1-40	130052	1-6, 1-15
1-007-010025	1-35, 1-37	133662	1-31
100823	1-29	133937	1-63
100827	1-51	139201	1-25, 1-51, 1-57, 1-75, 1-77
100830	1-51	1-397-010369036	1-37
100856	1-5, 1-13, 1-25	140470	1-5, 1-35, 1-39
101988	1-13, 1-27, 1-63, 1-75, 1-77	140471	1-13, 1-35, 1-38
102498	1-17, 1-19	140547	1-13, 1-25
102600	1-5, 1-19	140548	1-5
102604	1-17, 1-19	140554	1-17
103841	1-9	140599	1-5, 1-13, 1-27, 1-51, 1-57, 1-75, 1-77
104358	1-5	140645	1-17
105874	1-44, 1-79	140647	1-9
1-076-010007	1-17	141109	1-3
1-076-010010	1-17	141213	1-23
108628	1-21	141217	1-23
108675	1-31, 1-33	141236	1-17
108676	1-31, 1-33	141238	1-17
108705	1-67, 1-71	141244	1-13, 1-21
111789	1-38, 1-39, 1-40	141247	1-9
111871	1-38	141249	1-9
111962	1-19	141251	1-5, 1-14
116100	1-13, 1-21	141259	1-47
116437	1-37	141260	1-47
116489	1-35	141274	1-5
116490	1-37	141301	1-38, 1-39
117259	1-37	141434	1-9
119118	1-5, 1-13	141594	1-35, 1-37
122917	1-23	141597	1-9, 1-47
126235	1-79	141807	1-9
127712	1-5, 1-13	141808	1-63, 1-75, 1-77
		141809	1-13, 1-27
		141826	1-37

TABLE OF CONTENTS

INDEX

141828	1-35, 1-37, 1-79	1-512-010007-07	1-9
141866	1-17	1-512-010007-08	1-31, 1-33
141882	1-35	1-512-010007-14	1-51, 1-57, 1-75
142103	1-38	151508	1-13
142109	1-39	151528	1-27
142110	1-38, 1-39	1-516-010001-20	1-17, 1-19
142111	1-39	152210	1-51, 1-57, 1-75
142112	1-38, 1-39	153621	1-35
142114	1-39	153696	1-9
142116	1-38	153803	1-29
142650	1-13, 1-25	153843	1-37
142668	1-79	154994	1-53, 1-59
142669	1-79	154995	1-53, 1-59
142670	1-79	154997	1-53, 1-59
142671	1-79	154998	1-53, 1-59
142753	1-3	155002	1-51
143066	1-17	155005	1-53, 1-59
143853	1-35	155523	1-9, 1-47
143871	1-79	155528	1-35
143994	1-38, 1-39	155529	1-37
144193	1-47	1-557-010013	1-21
144325	1-57	1-557-010362-51	1-17, 1-19
147072	1-57	1-557-010403	1-5
147582	1-37	155927	1-53, 1-59
148338	1-35, 1-79	155956	1-53, 1-59
1-510-010003-09	1-53, 1-59	155963	1-51
1-511-010001-07	1-31	155971	1-53, 1-59
1-512-010005-01	1-3, 1-9, 1-21, 1-44	156010	1-47
1-512-010005-03	1-21, 1-79	156778	1-59
1-512-010005-05	1-3, 1-21, 1-63, 1-73, 1-75, 1-77, 1-79	156779	1-53, 1-59
1-512-010005-09	1-3, 1-5, 1-27, 1-31, 1-33, 1-44, 1-53, 1-59, 1-63	156785	1-57, 1-75
1-512-010005-13	1-3, 1-5, 1-9, 1-13, 1-21, 1-44, 1-51, 1-57, 1-67, 1-71, 1-75, 1-77, 1-79	156950	1-9
1-512-010005-15	1-5, 1-9, 1-13, 1-21, 1-25, 1-51, 1-57, 1-63, 1-75, 1-77, 1-79	156973	1-19
1-512-010005-19	1-5, 1-9, 1-13, 1-25, 1-51, 1-57, 1-75, 1-77	156979	1-19
		156992	1-5, 1-13
		1-573-010006	1-47
		158841	1-31
		158843	1-29

TABLE OF CONTENTS

INDEX

158844	1-25, 1-29	164295	1-3
158896	1-51, 1-57, 1-75	164301	1-47
158897	1-57, 1-75	164303	1-35
159557	1-29	164314	1-31
159954	1-7	164315	1-53, 1-59
15G816ER	1-6, 1-15	164318	1-59
161531	1-5, 1-13	164319	1-59
162191	1-79	164320	1-59
162845	1-5, 1-13	164321	1-53, 1-59
162904	1-31	164322	1-53
162906	1-31	164323	1-53, 1-59
162930	1-31	164331	1-51
164125	1-21	164335	1-51
164126	1-21	164336	1-51
164134	1-44	164349	1-17
164135	1-44	164352	1-13, 1-17, 1-27
164138	1-44	1-647-010004217	1-23
164139	1-44	1-647-010004221	1-57, 1-75
164140	1-44	1-647-010004240	1-13, 1-21, 1-79
164142	1-21	1-647-010004257	1-7
164146	1-31	1-654-010047-04	1-23
164147	1-31	1-654-010047-06	1-3, 1-9, 1-21, 1-44
164175	1-5, 1-13	1-654-010047-07	1-44
164186	1-5	1-654-010047-08	1-44
164192	1-31	1-654-010049-05	1-79
164200	1-3, 1-14	1-654-010051-09	1-21
164201	1-14	1-654-010051-11	1-63, 1-75, 1-77, 1-79
164215	1-3	1-654-010051-12	1-3
164216	1-3	1-654-010055-02	1-63, 1-75, 1-77
164219	1-13	1-654-010055-03	1-57
164220	1-13	1-654-010055-05	1-63, 1-75, 1-77
164256	1-13	1-654-010055-09	1-63, 1-75, 1-77
164260	1-21, 1-23	1-654-010055-10	1-27
164261	1-23	1-654-010055-11	1-3
164263	1-23	1-654-010055-14	1-5, 1-53, 1-59
164277	1-5, 1-13	1-654-010055-17	1-33
164286	1-21	1-654-010059-05	1-3, 1-5, 1-13
164293	1-57	1-654-010059-06	1-33

TABLE OF CONTENTS

INDEX

1-654-010059-07	1-21	166336	1-59
1-654-010059-11	1-3	166341	1-67, 1-71
1-654-010059-13	1-5, 1-13	166342	1-67, 1-71
1-654-010059-14	1-57	166343	1-67, 1-71
1-654-010059-16	1-57	166344	1-67
1-654-010061-05	1-5, 1-79	167575	1-21, 1-40
1-654-010061-09	1-5, 1-13, 1-79	167618	1-37
1-654-010061-15	1-57, 1-63, 1-75, 1-77	168739	1-57, 1-75, 1-77
1-654-010061-16	1-21	168753	1-57
1-654-010061-19	1-9	168762	1-57
1-654-010061-22	1-9	168764	1-75, 1-77
1-654-010061-23	1-63	168768	1-79
1-654-010065-08	1-5, 1-13	168773	1-79
1-654-010065-13	1-5	168787	1-13
1-654-010070-02	1-53, 1-59	168859	1-19
1-654-010070-03	1-71	168897	1-63
1-654-010070-04	1-67	169549	1-40
1-654-010070-11	1-53, 1-59	169550	1-40
1-654-010070-13	1-53, 1-59	169552	1-40
1-654-010070-14	1-53, 1-59	170258	1-9
1-654-010080-2	1-29	170870	1-59
1-654-010125-18	1-57, 1-75, 1-77	171070	1-5, 1-13
1-654-010125-22	1-9	172509	1-63, 1-67, 1-71, 1-75, 1-77
166148	1-73	172662	1-31
166156	1-13	172666	1-31
166158	1-23	172667	1-31
166160	1-31	172670	1-31
166175	1-63	172671	1-31
166176	1-63	172672	1-31
166177	1-63, 1-75, 1-77	172673	1-57, 1-63, 1-75, 1-77
166199	1-33	172677	1-57, 1-75
166200	1-33	172802	1-9
166201	1-33	172830	1-51
166242	1-63, 1-75, 1-77	173850	1-27
166248	1-21	174435	1-44
166250	1-21	174436	1-44
166252	1-3, 1-35, 1-37	174437	1-44
166253	1-3, 1-37	174438	1-44

TABLE OF CONTENTS

INDEX

174439	1-44	186193	1-63, 1-75, 1-77
174448	1-47	186195	1-61, 1-63
174526	1-67, 1-71	186200	1-63, 1-75, 1-77
174532	1-67, 1-71	186204	1-63, 1-75, 1-77
176601	1-44	186205	1-63, 1-75, 1-77
176602	1-44	186210	1-63, 1-75, 1-77
176603	1-44	187163	1-27
176625	1-57	187166	1-27
176766	1-9	187439	1-35
177030	1-9, 1-10	187517	1-63, 1-75, 1-77
1-822-010001	1-5, 1-14, 1-79	187529	1-61
183952	1-79	187531	1-61
184708	1-5	187532	1-61
185697	1-63, 1-75, 1-77	189451	1-9, 1-10
185757	1-67, 1-71	189453	1-10
185928	1-31, 1-33	189454	1-10
1-861-010005	1-19	191456	1-79
1-861-010032-13	1-31, 1-33	191459	1-57, 1-75, 1-77
1-861-010032-14	1-57	191488	1-21
1-861-010032-15	1-53, 1-59	191490	1-21
1-861-010032-19	1-31, 1-57	193089	1-19
1-861-010032-24	1-9, 1-51, 1-57, 1-75	193754	1-5, 1-13
1-861-010034-09	1-23	194616	1-31
1-861-010034-12	1-31, 1-33	194696	1-79
1-861-010034-17	1-67, 1-71, 1-79	198296	1-35
1-861-010034-21	1-27	198322	1-6, 1-15
186166	1-61	198346	1-5, 1-6
186170	1-61, 1-65, 1-69	198347	1-6
186178	1-73	199359	1-57, 1-75, 1-77
186179	1-73	199362	1-13, 1-15
186180	1-73	199363	1-15
186182	1-73	199376	1-57
186183	1-73	199390	1-57
186187	1-61, 1-73	200218	1-67, 1-71
186188	1-61, 1-65, 1-69, 1-73	200221	1-67, 1-71
186189	1-65, 1-69, 1-73	200222	1-67, 1-71
186191	1-65, 1-69, 1-73	200238	1-67, 1-71
186192	1-61, 1-65, 1-69, 1-73	200254	1-55, 1-65, 1-67

TABLE OF CONTENTS

INDEX

200255	1-55, 1-65, 1-67	223440	1-5, 1-19
200256	1-55, 1-65, 1-67	224589	1-47
200257	1-55, 1-65, 1-67	224590	1-21
200259	1-67, 1-71	224697	1-5, 1-13
200296	1-71	225124	1-67
200297	1-71	225125	1-67
200298	1-71	225126	1-67
200299	1-71	225127	1-67
200829	1-9	227602	1-27
202702-10-8S	1-35	227603	1-27
202702-8-8S	1-35, 1-37	227607	1-27
203185	1-69, 1-71	227608	1-27
203186	1-69, 1-71	227614	1-27
203187	1-69, 1-71	227621	1-27
203467	1-21, 1-35	227622	1-27
204384	1-13, 1-25	227625	1-27
204385	1-5	227628	1-53
2062-10-8S	1-35	227631	1-5, 1-13
2062-8-8S	1-35, 1-37	227637	1-5, 1-13
208187	1-57, 1-75, 1-77	227640	1-5, 1-13
209797	1-57	227643	1-27
209798	1-57	227645	1-5, 1-7, 1-13
209799	1-57	227646	1-5
2-102-010004	1-31, 1-79	227648	1-5
2-102-010039	1-79	227655	1-9
2-102-010054	1-9, 1-13, 1-21, 1-79	227656	1-9
210264	1-35	227657	1-9
210606	1-13, 1-17, 1-25	227665	1-9, 1-79
211056	1-51, 1-57, 1-75, 1-77	227666	1-57, 1-75, 1-77
212046	1-6, 1-15	227670	1-55, 1-57
2-150-010008	1-5, 1-14	227671	1-57
2-150-010174	1-5, 1-13	227675	1-7
215341	1-6, 1-15, 1-47	227679	1-7
218648	1-40	227680	1-7
223435	1-19	227686	1-9
223437	1-19	227687	1-9
223438	1-19	227689	1-5
223439	1-19	227690	1-13

TABLE OF CONTENTS

INDEX

227691	1-13	2-474-010022	1-37
228187	1-6, 1-15	2-557-010009	1-63, 1-75, 1-77
228190	1-6, 1-15	2-573-010037	1-47
228193	1-6, 1-15	2-573-010198	1-47
228999	1-25, 1-27	2-654-010097	1-29
229049	1-35	29SFFL 5811	1-31, 1-33, 1-57, 1-63, 1-75, 1-77
229061	1-49, 1-51	2P377	1-9
229062	1-51	3J608	1-5, 1-13
229063	1-51	4001060	1-19
229068	1-51	415	1-13, 1-25
229075	1-49, 1-53	4K552	1-57
229076	1-49, 1-53	5000	1-17, 1-19
229077	1-49, 1-53	528933	1-44, 1-47
229096	1-13	528934	1-44, 1-47, 1-79
229099	1-21	528938	1-44, 1-47
229680	1-49	6-102-010009	1-31
229682	1-49	7/16-14X1-3/4PB	1-31, 1-33
229683	1-49	70239854	1-3
229691	1-65	70260977	1-21, 1-47
229693	1-65	71508985	1-37
229694	1-65	71508987	1-37
229702	1-55	71508988	1-37
229704	1-55	71508992	1-37
229705	1-55	8-102-010012	1-57, 1-67, 1-71, 1-75, 1-77
229711	1-55, 1-59	8-102-010017	1-73
229712	1-55, 1-59	8-102-010019	1-44
229713	1-55, 1-59	8-102-010043	1-44, 1-51, 1-57
229714	1-55, 1-59	8-557-010149	1-21
229716	1-55, 1-59	8-573-010084	1-9, 1-47
229718	1-65, 1-69, 1-75	8-689-010006	1-31, 1-33
229719	1-65, 1-69, 1-77	8-689-010007	1-31, 1-33
23085	1-7	8-689-010008	1-31, 1-33
231483	1-79	8-689-010009	1-31, 1-33
231484	1-79	8-720-010011	1-57
231488	1-47, 1-79	8C520	1-63, 1-75, 1-77
232185	1-47		
235339	1-5		
2-368-010287	1-9, 1-44		

INDEX

T

TR575 1-5

W

W908409-4 1-13

Document Control Revision Log:

Date	Form #	Improvement(s): Description and Comments
11/21/2020	F-1106	New Manual
12/17/2020	F-1106-1220	Initial Release
01/24/2022	F-1106-0122	Hydraulic updates, added QR code to frame



Intertek

Equipment from Landoll Company, LLC is built to exacting standards ensured by ISO 9001 registration at all Landoll manufacturing facilities.

Model 9650FH Field Cultivator Parts Manual

Re-Order Part Number F-1106-0122

LANDOLL COMPANY, LLC

1900 North Street

Marysville, Kansas 66508

(785) 562-5381

800-428-5655 ~ WWW.LANDOLL.COM



Copyright 2022. Landoll Company, LLC

“All rights reserved, including the right to reproduce this material or portions thereof in any form.”

Scan to go to www.landoll.com

