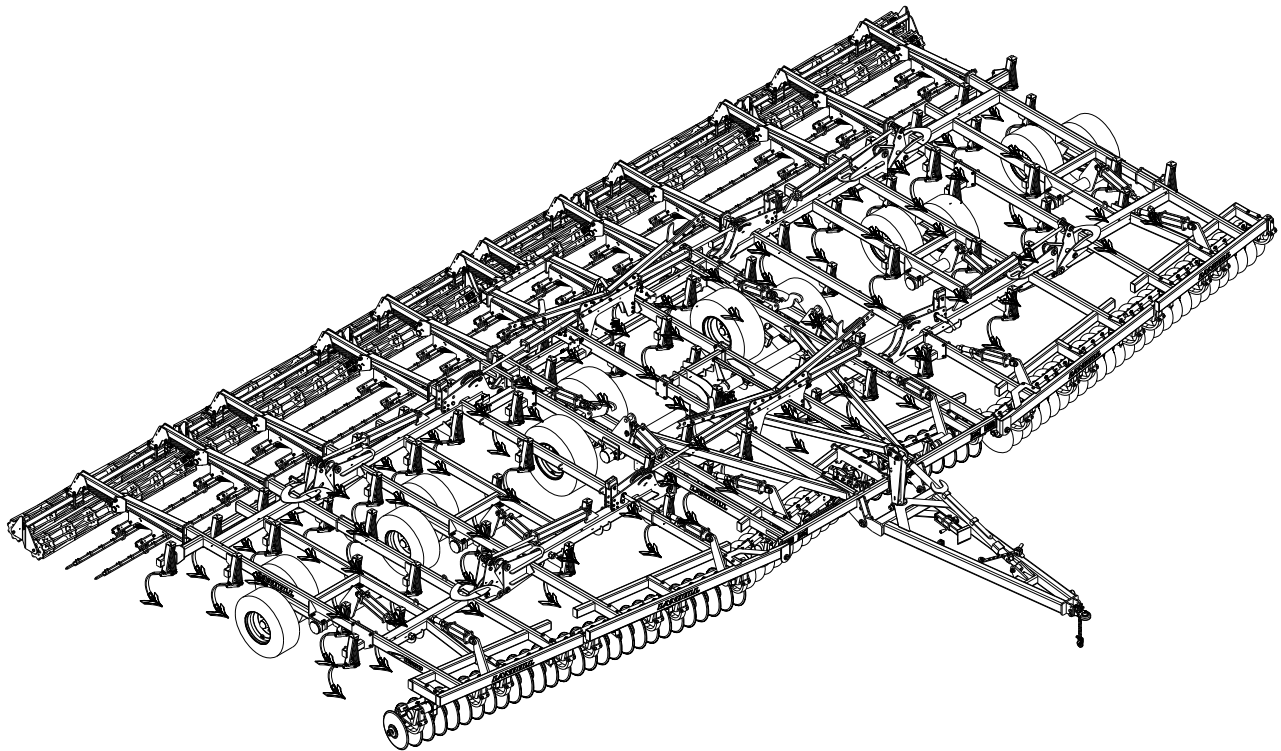




Model 8550 Finishroll Parts Manual



LANDOLL CORPORATION

1900 North Street
Marysville, Kansas 66508
(785) 562-5381

800-428-5655 ~ WWW.LANDOLL.COM

Table of Contents

1 Illustrated Parts List

Center Frames	1-2
Center Frame Assembly 38'	1-2
Center Frame Assembly 43'-48'	1-4
Wing Frames	1-6
Wing Frame Assembly 38'	1-6
Wing Frame Assembly 43'-48'	1-8
Center Lifts	1-10
Center Lift Assembly 38'-48'	1-10
Wing Lifts	1-12
Inner Wing Lift Assembly 38'-48'	1-12
Outer Wing Lift Assembly 38'-48'	1-14
Hub & Spindles	1-16
Hub and Spindle Assembly - 8 Bolt (3")	1-16
Hub and Spindle Assembly - 8 Bolt (4")	1-17
Hub and Spindle Assembly - 8 Bolt (4" W/ Zerk)	1-18
Hitches & Leveling System	1-20
Hitch and Leveling Linkage Assembly	1-20
Hitch Assemblies	1-22
10,000 LB. Sidewind Jack Assembly	1-23
Leveler Assembly	1-24
Depth Stop Tube Assembly	1-25
Radius Rod Assembly	1-26
Disc Gangs Assemblies	1-28
Disc Gang Assembly	1-28
Center Gang Lift Assembly	1-30
Depth Gauge Assembly	1-31
Shank Assemblies	1-32
Spring Shank Assembly	1-32
S-Tine Shank Assembly	1-34
Disc Gang Shields	1-36
Disc Gang Shield - Center Frame 38'-48'	1-36
Disc Gang Shield - Inner Wing Frame 38'-48'	1-37
Disc Gang Shield - Outer Wing Frame 38'-48'	1-38
Gang Assemblies	1-39
Gang Assembly - 38'	1-39
Gang Assembly - 43'	1-40
Gang Assembly - 48'	1-41
5 Row Spike Harrow Assemblies	1-42
5 Row Spike Harrow - 38'	1-42
5 Row Spike Harrow - 43'	1-43

5 Row Spike Harrow - 48'	1-44
5 Row Spike Harrow Arm Assembly	1-46
5 Row Spike Harrow Arm Assembly - W/ Tray	1-48
Chopper & 3 Row Spike Assemblies	1-50
Chopper & 3 Row Spike - 38'	1-50
Chopper & 3 Row Spike - 43'	1-51
Chopper & 3 Row Spike - 48'	1-52
Chopper Extension Assembly	1-53
Chopper Reel Arm Assembly	1-54
Chopper Reel Arm Assembly - W/ Tray	1-56
Spike & Double Reel Assemblies	1-58
Spike & Double Reel - 38'	1-58
Spike & Double Reel - 43'	1-59
Spike & Double Reel - 48'	1-60
Harrow Arm Assembly - Double Reel	1-62
Harrow Arm Assembly	1-64
Double Reel Center Assembly	1-66
3 Row Spike & Reel Assemblies	1-68
3 Row Spike & Reel - 38'	1-68
3 Row Spike & Reel - 43'	1-69
3 Row Spike & Reel - 48'	1-70
Spike & Reel Arm Assembly	1-72
Spike & Reel Arm Assembly W/O Spring	1-74
Spike & Reel Arm Assembly - W/ Tray	1-76
3 Row Tine & Reel Assemblies	1-78
3 Row Tine & Reel - 38'	1-78
3 Row Tine & Reel - 43'	1-79
3 Row Tine & Reel - 48'	1-80
3 Row, 5-7 Tine Harrow Assembly	1-82
Tine & Reel Harrow Arm Assembly - Prior January 2017	1-84
Tine & Reel Harrow Arm Assembly - After January 2017	1-86
Reel Assemblies	1-88
Reel Assembly - Bushing	1-88
Reel Assembly - Hub	1-90
Reel & Gangbar Assembly	1-92
Spike Bar Assemblies	1-94
Spike Bar Assembly 8-13 Tooth, 9 SP	1-94
Spike Bar Assembly 10 & 12-14 Tooth	1-95
Fold Hydraulic Assemblies	1-96
Fold Hydraulic Assembly Details	1-96
Fold Hydraulic Assembly - 38'	1-99
Fold Hydraulic Assembly - 43'	1-102
Fold Hydraulic Assembly - 48'	1-105
Lift Hydraulic Assemblies	1-108
Lift Hydraulic Assembly - 38'	1-108
Lift Hydraulic Assembly - 43'	1-110
Lift Hydraulic Assembly - 48'	1-112
Hydraulic Gang Assemblies	1-114
Hydraulic Gangs Installation - 38'	1-114

Hydraulic Gangs Installation - 43'	1-116
Hydraulic Gangs Installation - 48'	1-118
Manifolds	1-120
Front Manifold Assembly	1-120
Rear Manifold Assembly	1-121
Cylinders	1-122
Cylinder - Rephase Assembly - 3-1/2 X 8	1-122
Cylinder - Rephase Assembly - 3-3/4 X 8	1-123
Cylinder - Rephase Assembly - 4 X 8	1-124
Cylinder - Rephase Assembly - 3-1/2 X 8	1-125
Cylinder - Rephase Assembly - 4 X 10 (1" Pin)	1-126
Cylinder - Rephase Assembly - 4-1/2 X 10	1-127
Cylinder - Rephase Assembly - 3-3/4 X 10	1-128
Cylinder - Rephase Assembly - 4 X 10	1-129
Cylinder - Rephase Assembly - 5 X 10	1-130
Cylinder - 4" X 30" (1-1/2" Dia Rod)	1-131
Cylinder - 4-1/2" X 30" (2" Dia Rod)	1-132
Electrical	1-133
Electrical Assembly W/ LED Lights	1-133
Decals	1-136
Decal Arrangement & Locations	1-136

Illustrated Parts List

Instructions For Ordering Parts

ORDER PARTS FROM LANDOLL PARTS DISTRIBUTION CENTER

**** Repair parts must be ordered through an Authorized Dealer ****

PHONE NO: 1-800-423-4320 OR 1-785-562-5381

FAX NO: 888-527-3909

ORDER ONLINE: Dealer.landoll.com

IDENTIFICATION PLATE

The identification plate, which lists the model number and serial number, is located on the front of the frame (See Figure 1-1.)

SERIAL NUMBER NOMENCLATURE

The serial number for the Model 8550 FINISHOLL is located on the identification plate.

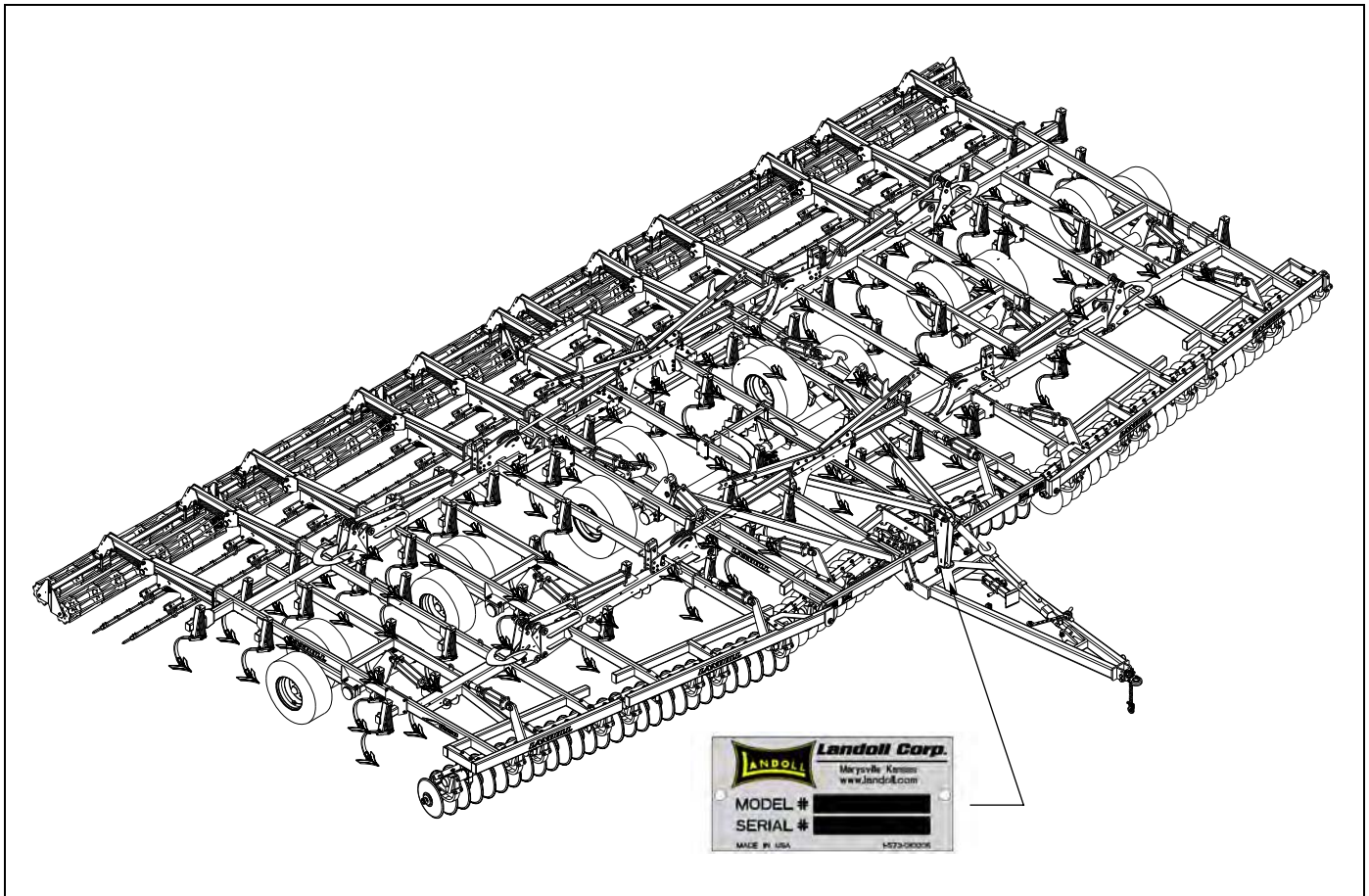


Figure 1-1: Identification Plate and Location

Center Frames

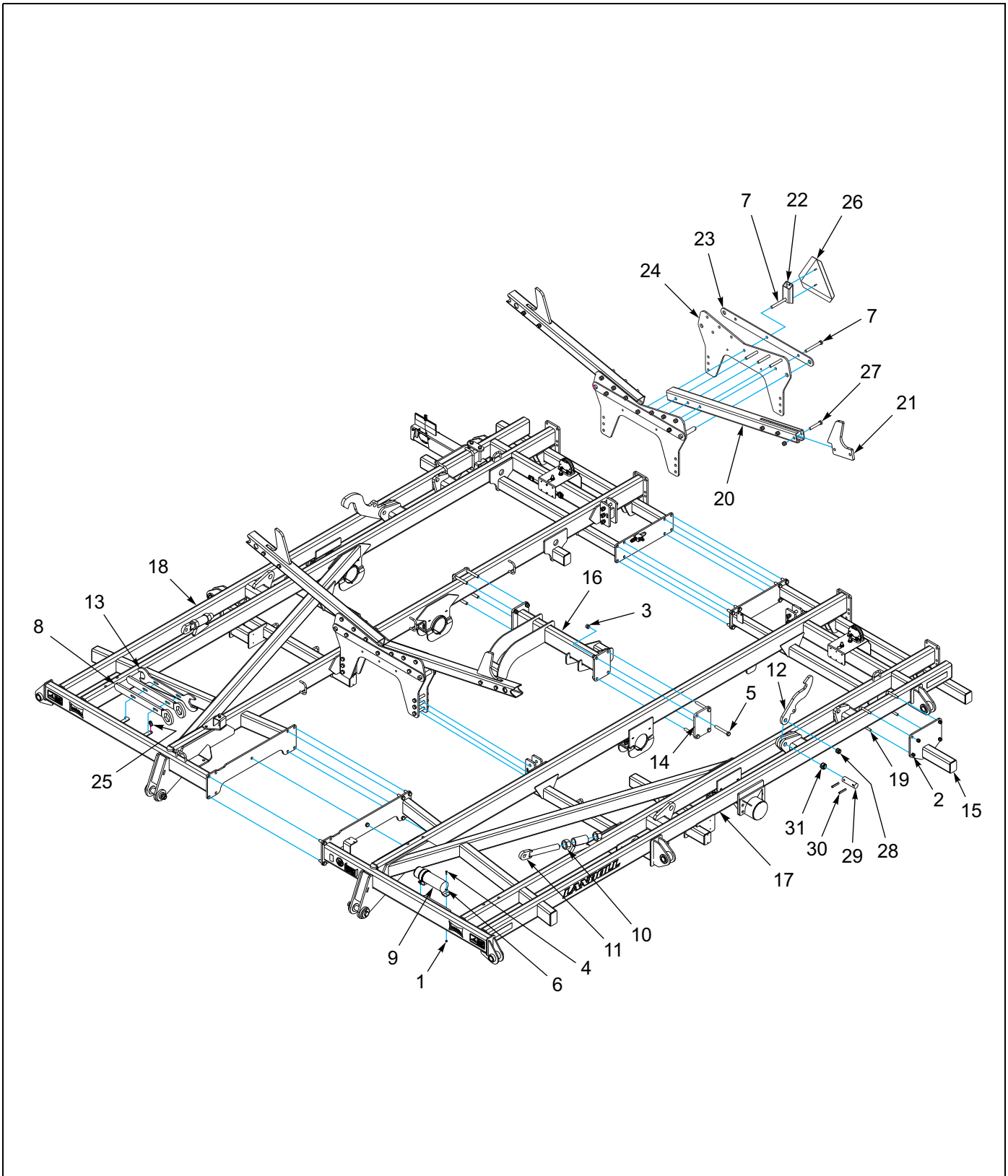


Figure 1-2: Center Frame Assembly 38'

Center Frame Assembly 38'

ITEM	PART NO.	DESCRIPTION	QTY.
1	1-512-010005-01	NUT,HEX,SLFLKG GRB 1/4-20	6
2	1-512-010005-13	NUT,HEX SLFLKG GRB 5/8-11	6
3	1-512-010005-15	NUT,HEX,SLFLKG GRB 3/4-10	55
4	1-654-010047-06	SCREW,HX CP 1/4-20UNCX1 GR5	2
5	1-654-010061-16	SCREW 3/4-10UNCX5-1/2 HXCP G5	32
6	1-861-010032-07	WASHER,FLAT 1/4 ZP	2
7	100855	SCREW, HHCS,3/4-10X6-1/2 GR5	6
8	140533	GANG WRENCH	2
9	142753	MANUAL HOLDER	1
10	159954	NUT HEX 1-3/4-5UNC GR2	2
11	159955	ROD, CYLINDER ANCHOR	1
12	165283	LOCK, TRANSPORT	1
13	174404	WRENCH, ADJUSTMENT	2
14	176772	PLATE, HINGE BASE	2
15	182391	EXTENSION, SHANK 12"	1
16	187142	MOUNT, CENTER SHANKS	1
17	188594	FRAME ASSY, CENTER RIGHT	1
18	188595	FRAME ASSY, CENTER LEFT	1
19	189433	U-BOLT, 5/8X6-11/16X4-1/2	2
20	190942	WING STABILIZER-38	4
21	190943	WING LOCK	4
22	191984	MOUNT, SMV	1
23	193164	PLATE, FOLD ANCHOR	4
24	193165	PLATE, FOLD ANCHOR	4
25	70239854	PIN, QUICK HITCH	1
26	70260977	SMV EMBLEM	1
27	W908406-4	SCR 3/4-10X4-1/2 HEX HD CAP	12
28	2-150-010008	BUSHING, STEEL 1-1/4OD X 1ID X 1	2
29	147755	ROLL PIN	2
30	111789	ROLL PIN	2
31	2-150-010174	BUSHING, STEEL 1-5/8 X 1-1/4 X 1	2

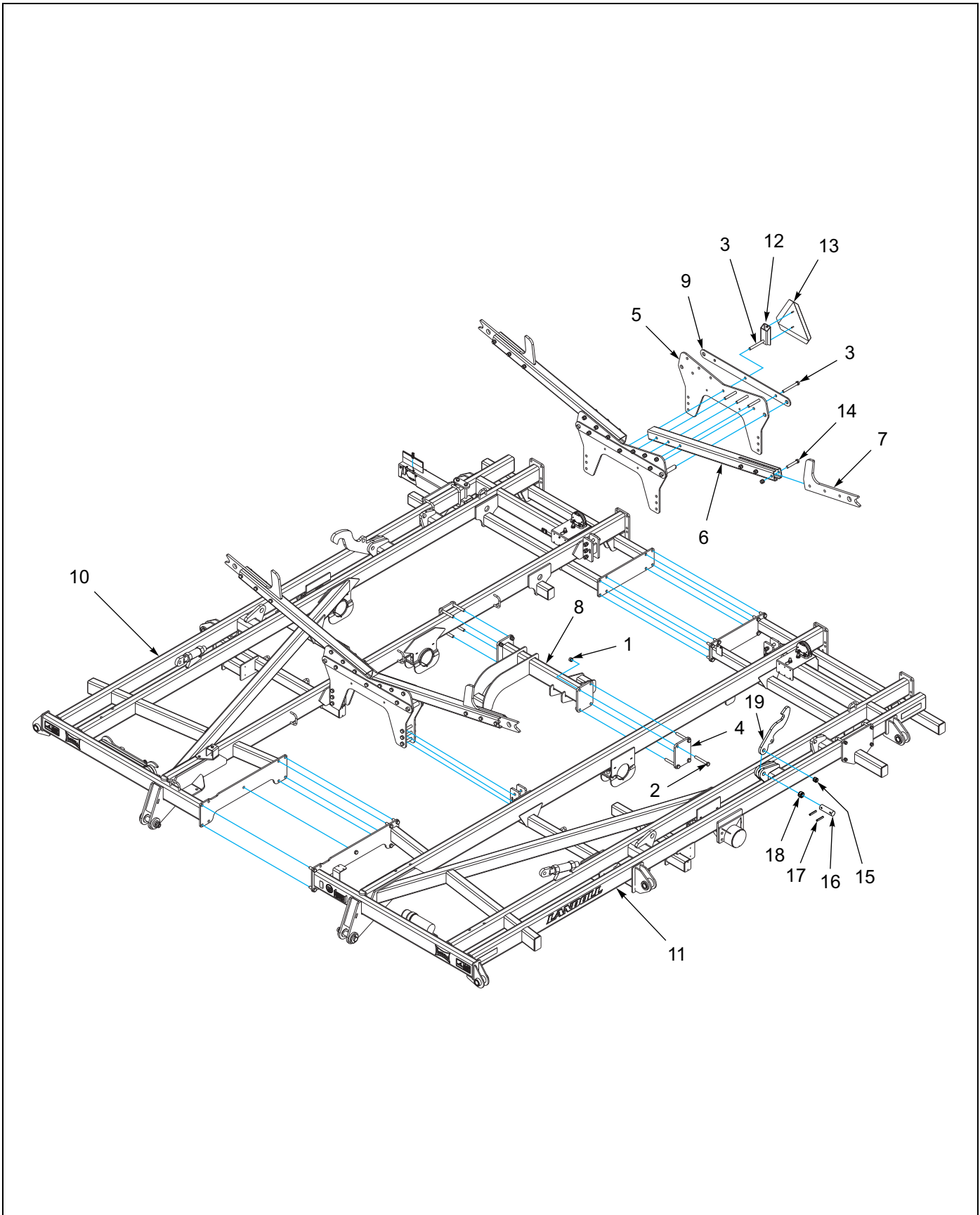


Figure 1-3: Center Frame Assembly 43'-48'

Center Frame Assembly 43'-48'

ITEM	PART NO.	DESCRIPTION	QTY.
1	1-512-010005-15	NUT,HEX,SLFLKG GRB 3/4-10	59
2	1-654-010061-16	SCREW 3/4-10UNCX5-1/2 HXCP G5	32
3	100855	SCREW, HHCS,3/4-10X6-1/2 GR5	6
4	176772	PLATE, HINGE BASE	2
5	187122	PLATE, FOLD ANCHOR	4
6	187123	WING STABILIZER	4
7	187126	WING LOCK	4
8	187142	MOUNT, CENTER SHANKS	1
9	188535	PLATE, FOLD ANCHOR	4
10	188594	FRAME ASSY, CENTER RIGHT	1
11	188595	FRAME ASSY, CENTER LEFT	1
12	191984	MOUNT, SMV	1
13	70260977	SMV EMBLEM	1
14	W908406-4	SCR 3/4-10X4-1/2 HEX HD CAP	12
15	2-150-010008	BUSHING, STEEL 1-1/4OD X 1ID X 1	2
16	147755	ROLL PIN	2
17	111789	ROLL PIN	2
18	2-150-010174	BUSHING, STEEL 1-5/8 X 1-1/4 X 1	2
19	165283	LOCK, TRANSPORT	1

Wing Frames

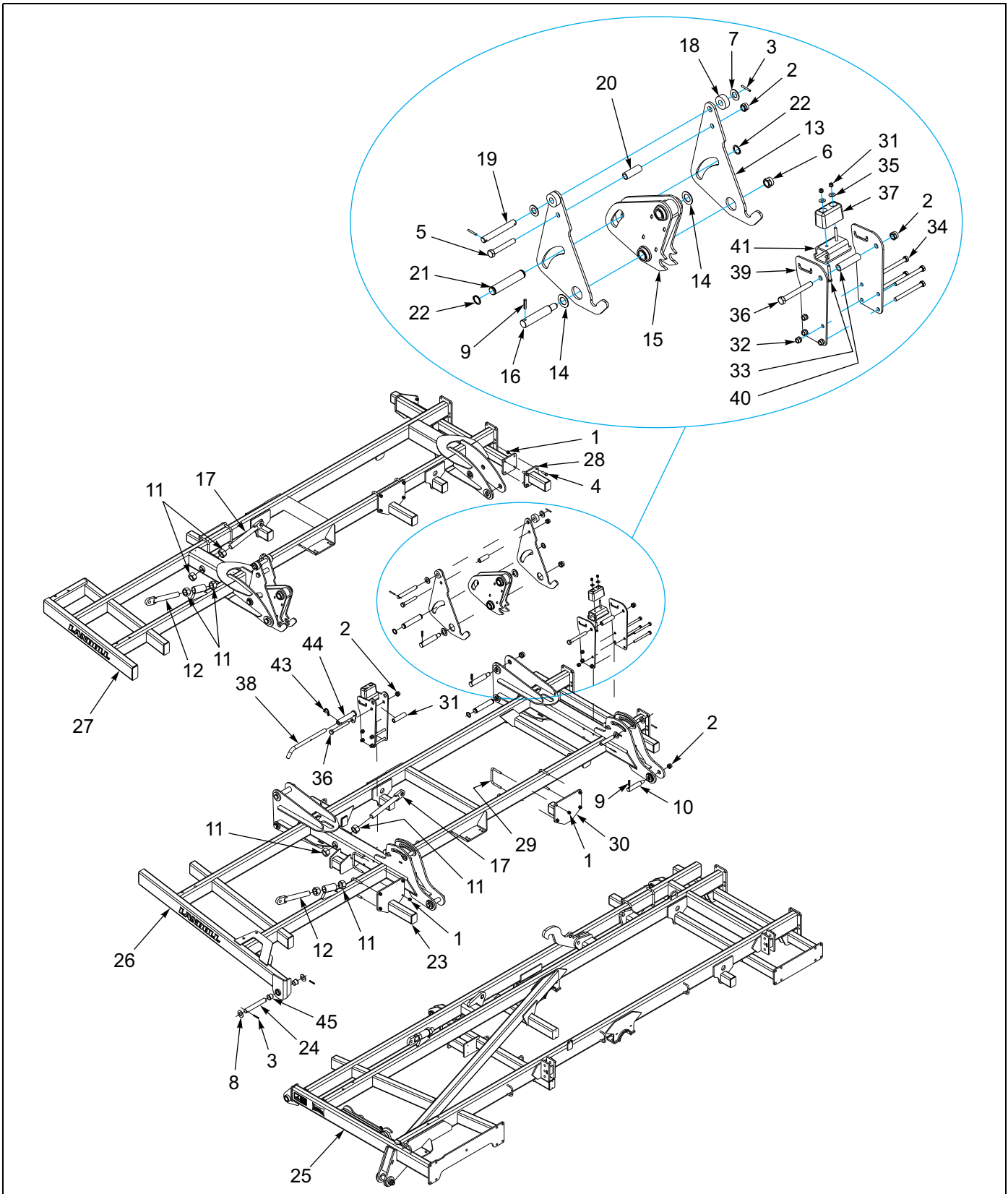


Figure 1-4: Wing Frame Assembly 38'

Wing Frame Assembly 38'

ITEM	PART NO.	DESCRIPTION	QTY.
1	1-512-010005-13	NUT,HEX SLFLKG GRB 5/8-11	24
2	1-512-010005-19	NUT 1-8 HEX SLF-LOCKING GRB	4
3	1-647-010004240	PIN,SPRING,SLOTTED,5/16X2-1/2	14
4	1-654-010059-05	SCREW,HEX CAP,5/8-11UNCX2 GR5	8
5	100829	SCREW,HEX CAP,1-8X6-1/2,GR5	2
6	101385	NUT,HEX SLFLKG,1-1/4-7 GRB	4
7	116100	WASHER 1-1/4 NAR FL ZP/CD	8
8	141266	WASHER, THRUST 1-1/2	6
9	144115	PIN, GROOVED ALLOY 1/2X2-1/4	6
10	144493	PIN, HITCH	2
11	159954	NUT HEX 1-3/4-5UNC GR2	8
12	159955	ROD, CYLINDER ANCHOR	2
13	164490	LINK, FOLD	4
14	164539	WASHER THRUST 1-3/4	4
15	164540	HINGE ASSY	2
16	164541	PIN, HINGE	4
17	164546	ROD, CYLINDER ANCHOR 1-1/4	2
18	164564	ROLLER, WING FOLD	4
19	164565	PIN, FOLD	2
20	165295	SPACER, WING FOLD, 4-3/8" LONG	2
21	167593	PIN 1-3/4 W/SNAP RING	4
22	167594	SNAP RING, 1-3/4 SHAFT	8
23	182391	EXTENSION, SHANK 12"	3
24	183966	PIN, 1-1/2 X 10-1/2	1
25	188742	BRACKET, OFFSET-MOUNT, LAMP	1
26	184724	FRAME, INNER WING RIGHT 38	1
27	184726	FRAME, OUTER WING RIGHT 38	1
28	188593	EXTENSION, ONE SHANK	2
29	189433	U-BOLT, 5/8X6-11/16X4-1/2	8
30	193182	EXTENSION, SHANK 9"	1
31	1-512-010005-09	NUT,HEX,SLFLKG, 1/2-13 GRB	4
32	1-512-010005-15	NUT,HEX,SLFLKG GRB 3/4-10	8
33	1-654-010055-11	SCREW,HX CP 1/2-13UNCX3-1/2	4
34	1-654-010061-21	SCREW,HX CP,3/4-10UNCX8	8
35	1-861-010032-15	WASHER, FLAT 1/2 W ZP/CD	4
36	114616	SCREW,HHC,1-8UNCX8-1/2,GR5	2
37	128874	BUMPER RUBBER 6X3X3-1/2	2
38	160656	PIN, WING LOCK	1
39	163719	MOUNT WING STABILIZER REAR	2
40	164555	SPACER WING STABILIZER, 6" LONG	2
41	166629	MOUNT, WING REST, 49'	2
42	170291	PIN, 1-1/4 X 7	4
43	183749	PIN, TAB LOCK-3/8 X 1-1/2	1
44	188587	MOUNT, LOCK	1
45	140599	BEARING, FLANGE 1-1/2	2

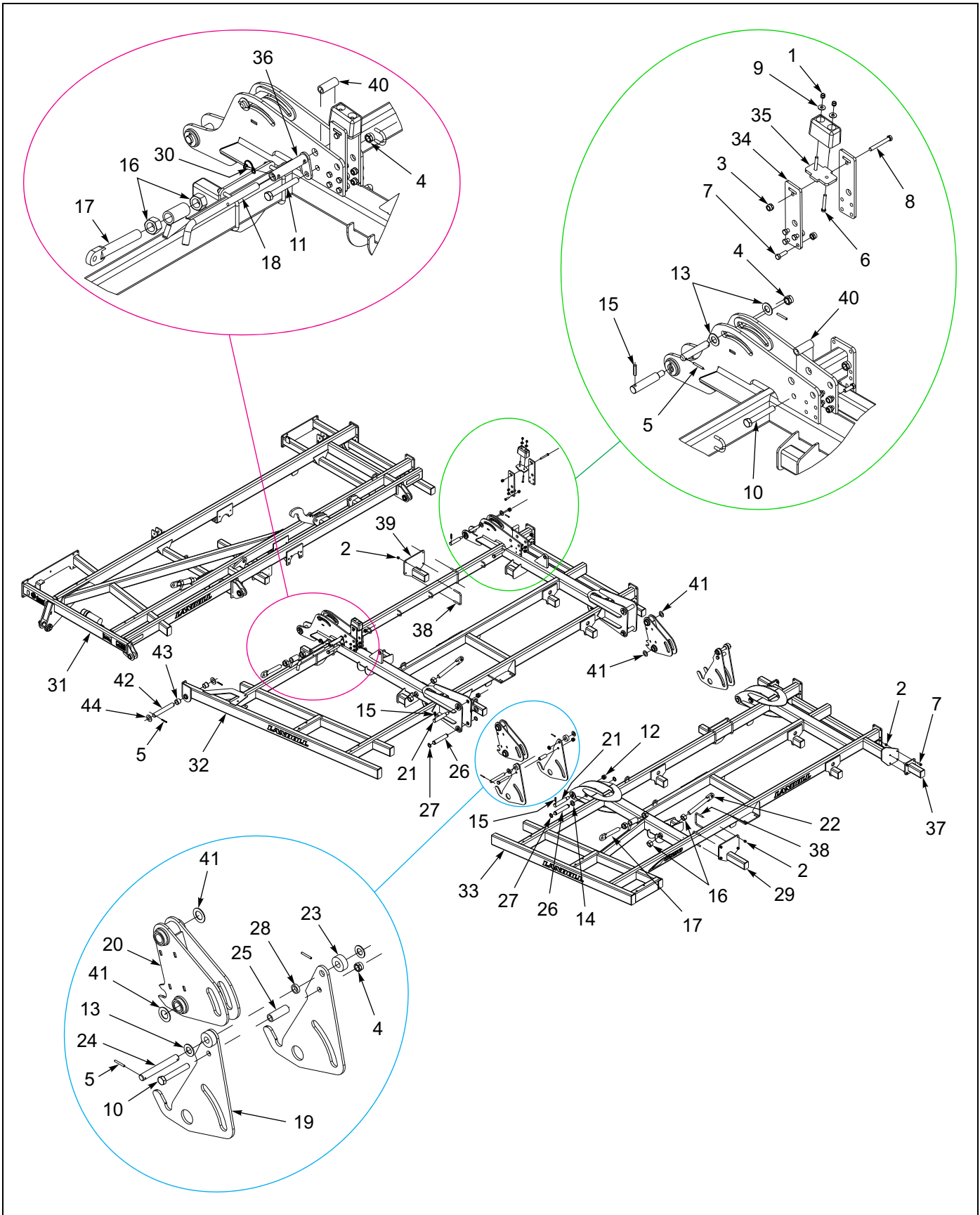


Figure 1-5: Wing Frame Assembly 43'-48'

Wing Frame Assembly 43'-48'

ITEM	PART NO.	DESCRIPTION	QTY.
1	1-512-010005-09	NUT,HEX,SLFLKG, 1/2-13 GRB	4
2	1-512-010005-13	NUT,HEX SLFLKG GRB 5/8-11	28
3	1-512-010005-15	NUT,HEX,SLFLKG GRB 3/4-10	18
4	1-512-010005-19	NUT 1-8 HEX SLF-LOCKING GRB	7
5	1-647-010004240	PIN,SPRING,SLOTTED,5/16X2-1/2	10
6	1-654-010055-11	SCREW,HX CP 1/2-13UNCX3-1/2	4
7	1-654-010059-05	SCREW,HEX CAP,5/8-11UNCX2 GR5	28
8	1-654-010059-15	SCREW,HEX CAP,5/8-11UNCX5 GR5	2
9	1-861-010032-15	WASHER, FLAT 1/2 W ZP/CD	4
10	100829	SCREW,HEX CAP,1-8X6-1/2,GR5	3
11	100830	SCREW,HEX CAP,1-8X7,GR5	2
12	101385	NUT,HEX SLFLKG,1-1/4-7 GRB	4
13	116100	WASHER 1-1/4 NAR FL ZP/CD	8
14	141154	WASHER GANG SHAFT	4
15	144115	PIN, GROOVED ALLOY 1/2X2-1/4	7
16	159954	NUT HEX 1-3/4-5UNC GR2	10
17	159955	ROD, CYLINDER ANCHOR	3
18	160656	PIN, WING LOCK	1
19	164490	LINK, FOLD	4
20	164540	HINGE ASSY	4
21	164541	PIN, HINGE	4
22	164546	ROD, CYLINDER ANCHOR 1-1/4	2
23	164564	ROLLER, WING FOLD	4
24	164565	PIN, FOLD	2
25	165295	SPACER, WING FOLD, 4-3/8" LONG	2
26	167593	PIN 1-3/4 W/SNAP RING	4
27	167594	SNAP RING, 1-3/4 SHAFT	8
28	173018	SPACER, WING FOLD, 1/2" WIDE	4
29	182391	EXTENSION, SHANK 12"	3
30	183749	PIN, TAB LOCK-3/8 X 1-1/2	1
31	184723	FRAME, CENTER LEFT	1
32	184733	FRAME, INNER WING LEFT 48	1
33	184735	FRAME, OUTER WING LEFT 48	1
34	187124	WING, STOP SUPPORT	4
35	187125	WING, STOP	2
36	188586	ASSY, WING LOCK W/PIN	1
37	188593	EXTENSION, ONE SHANK	2
38	189433	U-BOLT, 5/8X6-11/16X4-1/2	8
39	193182	EXTENSION, SHANK 9"	1
40	188648	BUSHING, WING FOLD, 4" LONG	2
41	164539	WASHER, THRUST 1-3/4	4
42	183966	PIN, 1-1/2 X 10-1/2	1
43	140599	BEARING, FLANGE 1-1/2	2
44	141266	WASHER, THRUST 1-1/2	6

Center Lifts

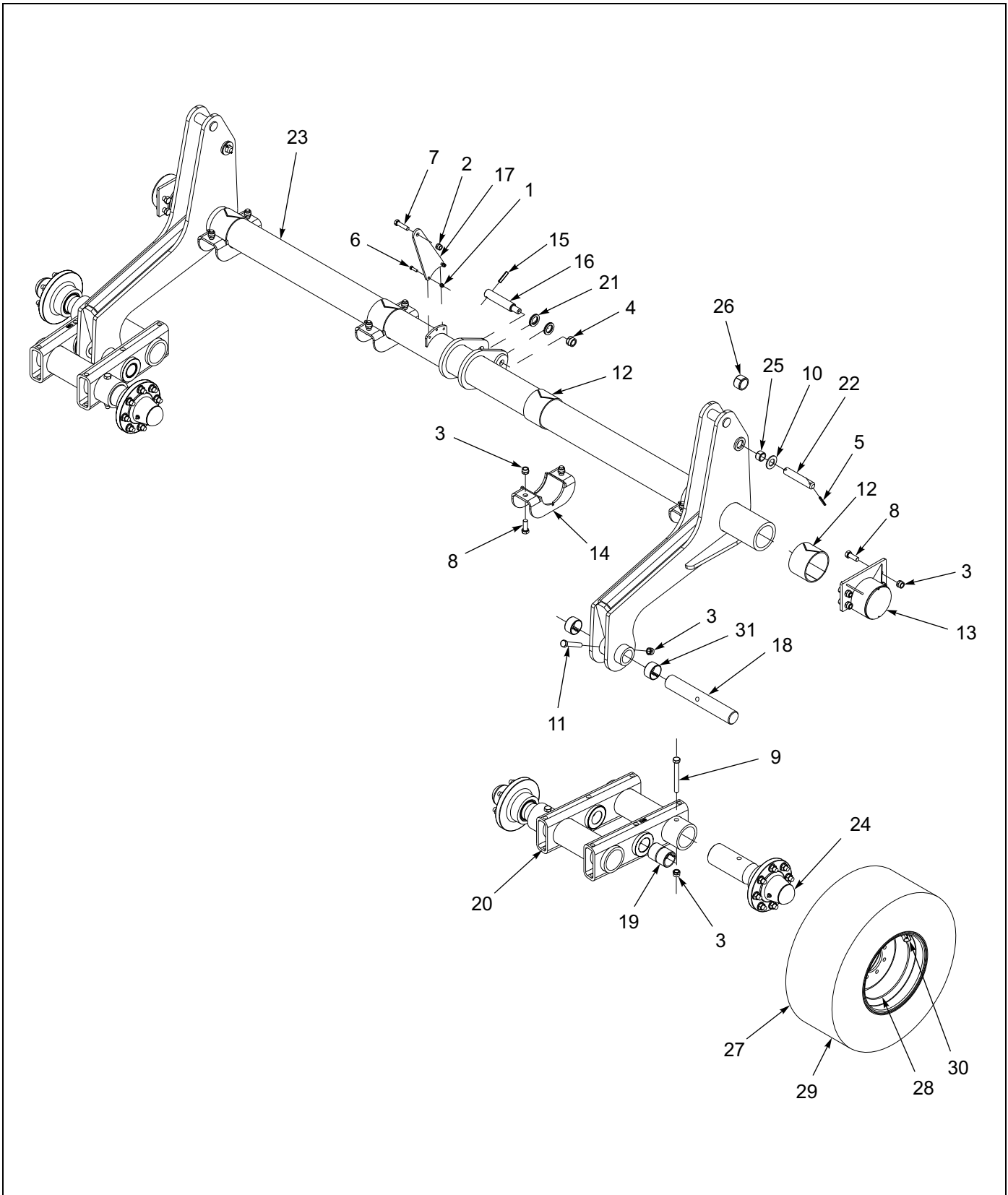


Figure 1-6: Center Lift Assembly 38'-48'

Center Lift Assembly 38'-48'

ITEM	PART NO.	DESCRIPTION	QTY.
1	1-512-010005-05	NUT, HEX, SLFLKG GRB 3/8-16	2
2	1-512-010005-13	NUT,HEX SLFLKG GRB 5/8-11	17
3	1-512-010005-15	NUT,HEX,SLFLKG GRB 3/4-10	22
4	1-512-010005-19	NUT 1-8 HEX SLF-LOCKING GRB	1
5	1-647-010004240	PIN,SPRING,SLOTTED,5/16X2-1/2	4
6	1-654-010051-06	SCREW,HEX CAP 3/8-16UNCX1-1/4	2
7	1-654-010059-07	SCREW HX CP 5/8-11UNCX2-1/2G5	1
8	1-654-010061-05	SCREW,HHC,3/4-10UNCX2,GR5,ZP	16
9	100855	SCREW, HHCS,3/4-10X6-1/2 GR5	4
10	116100	WASHER 1-1/4 NAR FL ZP/CD	4
11	126108	SCREW HX CP 3/4-10X4-1/2 GR8	2
12	140519	BEARING, UHMW 4IN	10
13	141209	BEARING CAP, LIFT	2
14	141234	BEARING CAP, LIFT BLUE	4
15	144115	PIN, GROOVED ALLOY 1/2X2-1/4	1
16	144493	PIN, HITCH	1
17	164124	MOUNT, DEPTH CONTROL	1
18	164501	SPINDLE, WALKING BEAM	2
19	165286	BUSHING SPRING 3X2-1/2X4	4
20	167553	PLATE FRT END CAP 835 G/N	2
21	170258	BUSHING, MACHINE 1-1/2 X 10 GA	4
22	170291	PIN, 1-1/4 X 7	2
23	184742	LIFT, CENTER (USED W/ GOODYEAR - 440/55R18 TIRES)	1
23	193161	LIFT, CENTER (USED W/ BKT - VF 480/45R17 TIRES)	1
24	188639	HUB & SPINDLE ASSY, 8 BOLT (USED W/ GOODYEAR - 440/55R18 TIRES) (SEE PAGE 1-17)	4
24	191974	HUB/SPINDLE ASSY, 4" W/ZERK (USED W/ BKT - VF 480/45R17 TIRES) (SEE PAGE 1-19)	4
25	2-150-010174	BUSHING,1-5/8X1-1/4X1	4
26	190987	SPACER, 1-1/4 X 1 LONG	2
27	170260	GOODYEAR, 440 TIRE/WHEEL ASSEMBLY (ITEMS 28-30)	2
27	204387	TIRE & WHEEL ASSY, 480/45R17 BKT (ITEMS 28-30)	2
28	169749	WHEEL, 18 X 4, 8 BOLT GOODYEAR	2
28	193091	WHEEL, 17 X 16, 8 BOLT BKT	2
29	169752	TIRE, 440/55R18 GOODYEAR	2
29	204386	TIRE, BKT VF 480/45R17	2
30	TR575	VALVE STEM, TUBELESS TIRE	2
31	198351	CONNEX, 2-3/4 X 2-1/2 X 1-1/2L	4

Wing Lifts

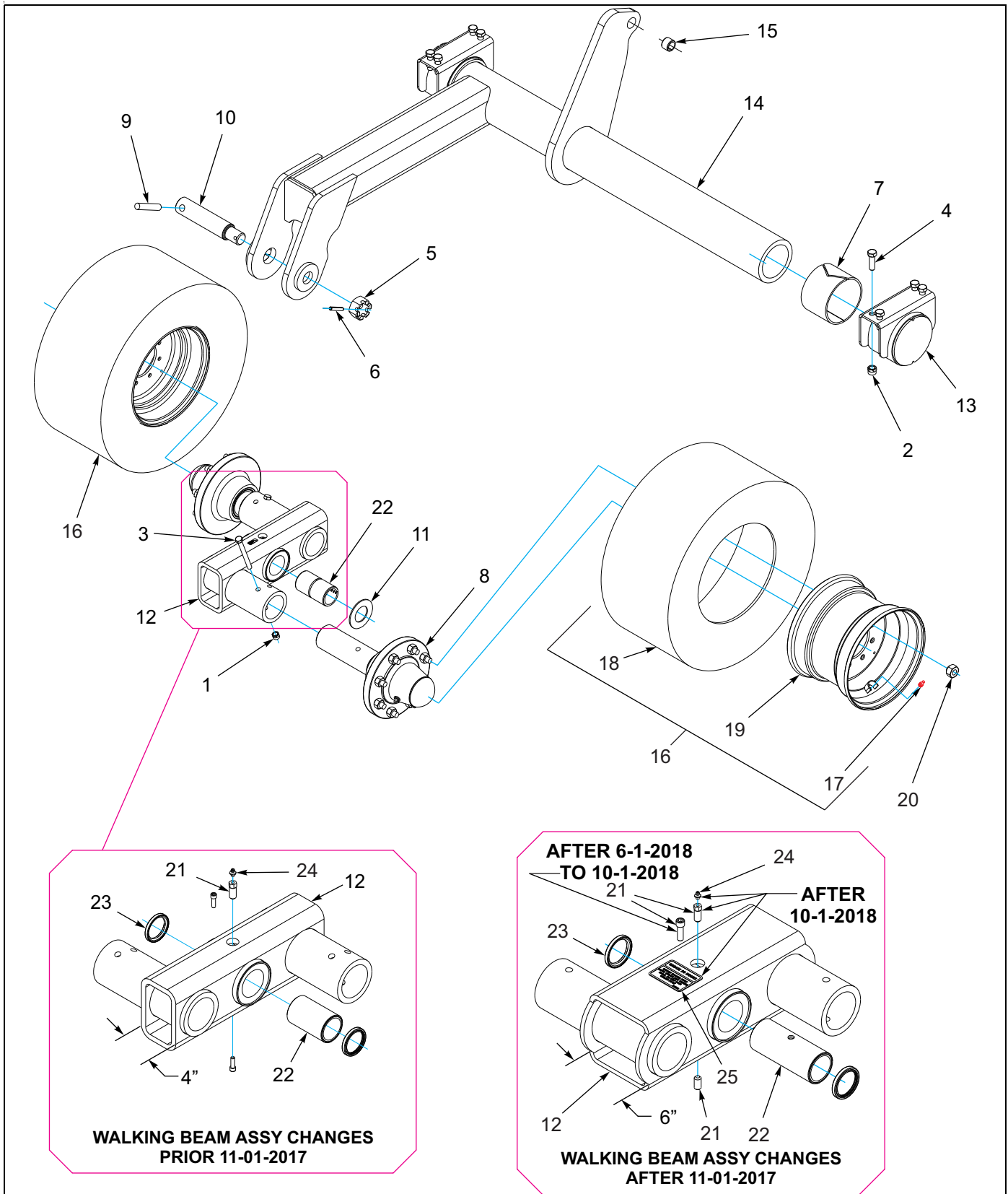


Figure 1-7: Inner Wing Lift Assembly 38'-48'

Inner Wing Lift Assembly 38'-48'

ITEM	PART NO.	DESCRIPTION	QTY.
1	1-512-010005-09	NUT,HEX,SLFLKG, 1/2-13 GRB	4
2	1-512-010005-13	NUT,HEX SLFLKG GRB 5/8-11	17
3	1-654-010055-15	SCR, HX CP, 1/2-13UNCX5 GR5	4
4	1-654-010059-05	SCREW,HEX CAP,5/8-11UNCX2 GR5	16
5	119118	NUT 1-1/2-12UNF HEX SLOTTEDZP	2
6	127712	PIN SPRING SLOTTED 3/8X2-1/4	2
7	140519	BEARING, UHMW 4IN	10
8	156972	HUB & SPINDLE ASSY, 8 BOLT	4
9	156992	PIN, WALKING BEAM SPINDLE	2
10	157019	SPINDLE, WALKING BEAM (PRIOR 11-1-2017)	2
10	207849	SPINDLE WALKING BEAM 2" (AFTER 11-1-2017)	2
11	171070	WASHER, THRUST 2	4
12	198344	WALKING BEAM ASSY 3" (PRIOR 11-1-2017)	2
12	210316	WALKING BEAM ASSY, 3" (AFTER 11-1-2017)	2
13	179655	BEARING CAP, LIFT	4
14	190923	LIFT, WING RIGHT (38'-43') (PRIOR 11-1-2017)	1
14	190924	LIFT, WING LEFT (38'-43') (PRIOR 11-1-2017)	1
14	188562	LIFT, WING RIGHT (48') (PRIOR 11-1-2017)	1
14	188563	LIFT, WING LEFT (48') (PRIOR 11-1-2017)	1
14	210320	LIFT, WING RIGHT (38'-43') (AFTER 11-1-2017)	1
14	210321	LIFT, WING LEFT (38'-43') (AFTER 11-1-2017)	1
14	210322	LIFT, WING RIGHT (48') (AFTER 11-1-2017)	1
14	210323	LIFT, WING LEFT (48') (AFTER 11-1-2017)	1
15	192890	BUSHING 1-3/8ODX1 IDX1 STEEL (PRIOR 11-1-2017)	2
15	2-150-010174	BUSHING,1-5/8X1-1/4X1 (AFTER 11-1-2017)	2
16	165235	TIRE & WHEEL ASSY, 380/55R16.5	2
16	215351	TIRE&WHL ASSY, VF410/50R16.5	2
17	TR575	VALVE STEM, TUBELESS TIRE (USED WITH 165235 & 215351)	2
18	165236	TIRE, 380/55R 16.5 IMP (USED WITH 165235)	2
18	215352	TIRE, VF410/50R16.5 (USED WITH 215351)	2
19	157001	WHEEL, 8 BOLT (USED WITH 165235 & 215351)	2
20	102600	NUT, WHEEL BOLT, 5/8-18	16
21	200129	SCREW SOCKET HD CAP 5/16-24X1 (PRIOR 6-1-2018)	2
21	15G816ER	SCREW SET SOC HD CPPT.5-13X1 (AFTER 6-1-2018 TO 10-1-2018)	1
21	212046	SCREW, SET FOR ZERK (AFTER 10-1-2018)	1
22	200310	TANDEM PIVOT ASSY 2" (PRIOR 11-1-2017)	1
22	204548	TANDEM PIVOT ASSY 2" (AFTER 11-1-2017)	1
23	198322	SEAL, V17, DOUBLE LIP 2"	2
24	1-298-010001-1	ZERK FITTING 1/4 SAE (AFTER 10-1-2018)	1
25	215341	DECAL, GREASE WALKER (AFTER 10-1-2018)	1

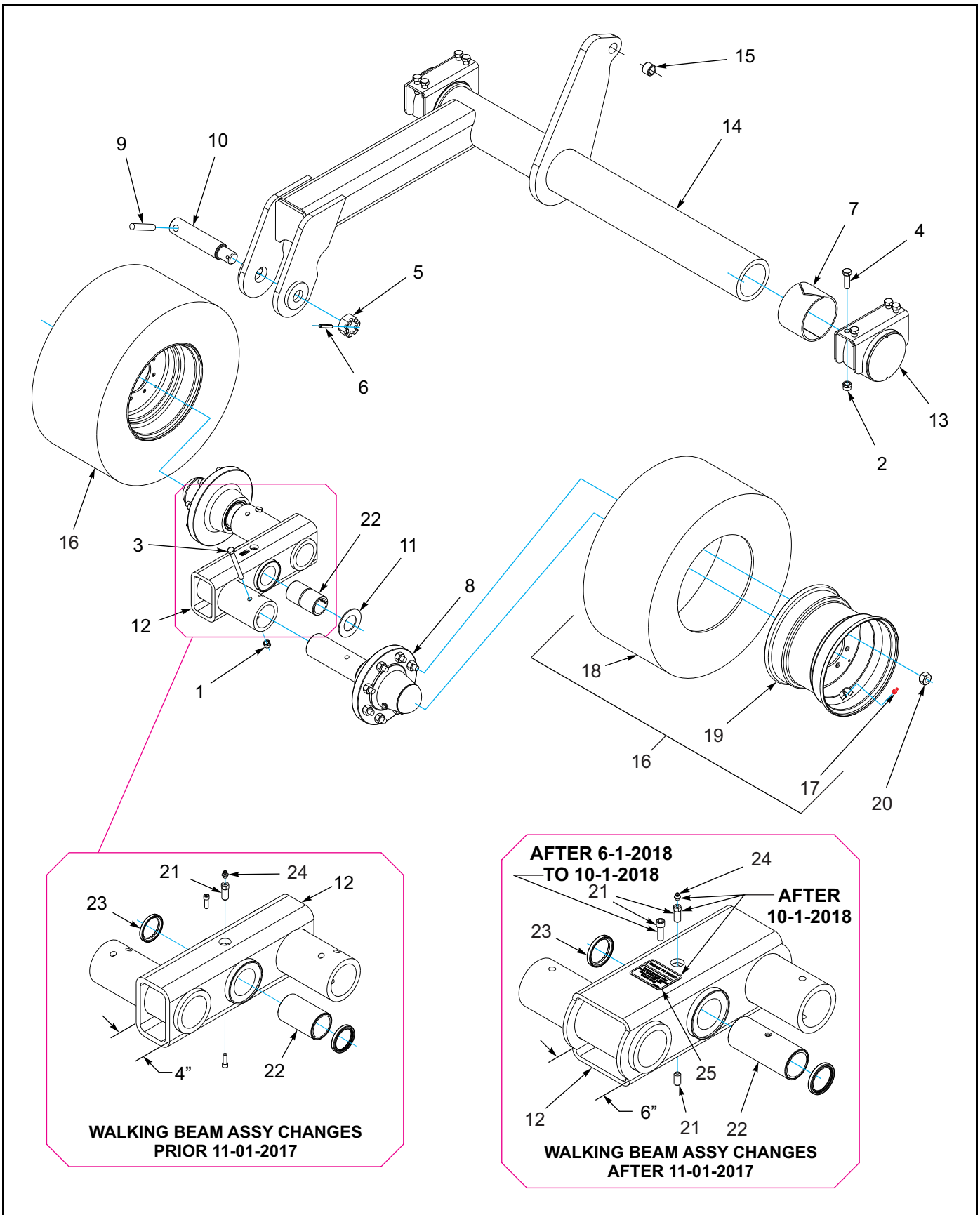


Figure 1-8: Outer Wing Lift Assembly 38'-48'

Outer Wing Lift Assembly 38'-48'

ITEM	PART NO.	DESCRIPTION	QTY.
1	1-512-010005-09	NUT,HEX,SLFLKG, 1/2-13 GRB	4
2	1-512-010005-13	NUT,HEX SLFLKG GRB 5/8-11	17
3	1-654-010055-15	SCR, HX CP, 1/2-13UNCX5 GR5	4
4	1-654-010059-05	SCREW,HEX CAP,5/8-11UNCX2 GR5	16
5	119118	NUT 1-1/2-12UNF HEX SLOTTEDZP	2
6	127712	PIN SPRING SLOTTED 3/8X2-1/4	2
7	140519	BEARING, UHMW 4IN	10
8	156972	HUB & SPINDLE ASSY, 8 BOLT	4
9	156992	PIN, WALKING BEAM SPINDLE	2
10	157019	SPINDLE, WALKING BEAM (PRIOR 11-1-2017)	2
11	207849	SPINDLE WALKING BEAM 2" (AFTER 11-1-2017)	2
11	171070	WASHER, THRUST 2	4
12	198344	WALKING BEAM ASSY 3" (PRIOR 11-1-2017)	2
12	210316	WALKING BEAM ASSY, 3" (AFTER 11-1-2017)	2
13	179655	BEARING CAP, LIFT	4
14	190944	LIFT, WING RIGHT (38')	1
14	190945	LIFT, WING LEFT (38')	1
14	190923	LIFT, WING RIGHT (43') (PRIOR 11-1-2017)	1
14	190924	LIFT, WING LEFT (43') (PRIOR 11-1-2017)	1
14	188562	LIFT, WING RIGHT (48') (PRIOR 11-1-2017)	1
14	188563	LIFT, WING LEFT (48') (PRIOR 11-1-2017)	1
14	210320	LIFT, WING RIGHT (43') (AFTER 11-1-2017)	1
14	210321	LIFT, WING LEFT (43') (AFTER 11-1-2017)	1
14	210322	LIFT, WING RIGHT (48') (AFTER 11-1-2017)	1
14	210323	LIFT, WING LEFT (48') (AFTER 11-1-2017)	1
15	192890	BUSHING 1-3/8ODX1 IDX1 STEEL (PRIOR 11-1-2017)	2
15	2-150-010008	BUSHING 1-1/4ODX1IDX1 STEEL (38' PRIOR 11-1-2017)	2
15	2-150-010174	BUSHING,1-5/8X1-1/4X1 (AFTER 11-1-2017) (NOTE: (1) 2-150-010174 AND (1) 2-150-010008 BUSHINGS ARE REQUIRED IF ORDERING A 190944 OR 190945 FOR MODEL 8550-38' THAT WAS BUILT PRIOR TO 11-1-2017 TO REDUCE THE CYLINDER MOUNTING HOLE DOWN TO A 1" PIN)	2
16	165235	TIRE & WHEEL ASSY, 380/55R16.5	2
16	215351	TIRE&WHL ASSY, VF410/50R16.5	2
17	TR575	VALVE STEM, TUBELESS TIRE (USED WITH 165235 & 215351)	2
18	165236	TIRE, 380/55R 16.5 IMP (USED WITH 165235)	2
18	215352	TIRE, VF410/50R16.5 (USED WITH 215351)	2
19	157001	WHEEL, 8 BOLT (USED WITH 165235 & 215351)	2
20	102600	NUT, WHEEL BOLT, 5/8-18	16
21	200129	SCREW SOCKET HD CAP 5/16-24X1 (PRIOR 6-1-2018)	2
21	15G816ER	SCREW SET SOC HD CPPT.5-13X1 (AFTER 6-1-2018 TO 10-1-2018)	1
21	212046	SCREW, SET FOR ZERK (AFTER 10-1-2018)	1
22	200310	TANDEM PIVOT ASSY 2" (USE FOR 38' OUTSIDE WING AND PRIOR TO 11-1-2017 ON 43'/48')	1
22	204548	TANDEM PIVOT ASSY 2" (AFTER 11-1-2017)	1
23	198322	SEAL, V17, DOUBLE LIP 2"	2
24	1-298-010001-1	ZERK FITTING 1/4 SAE (AFTER 10-1-2018)	1
25	215341	DECAL, GREASE WALKER (AFTER 10-1-2018)	1

Hub & Spindles

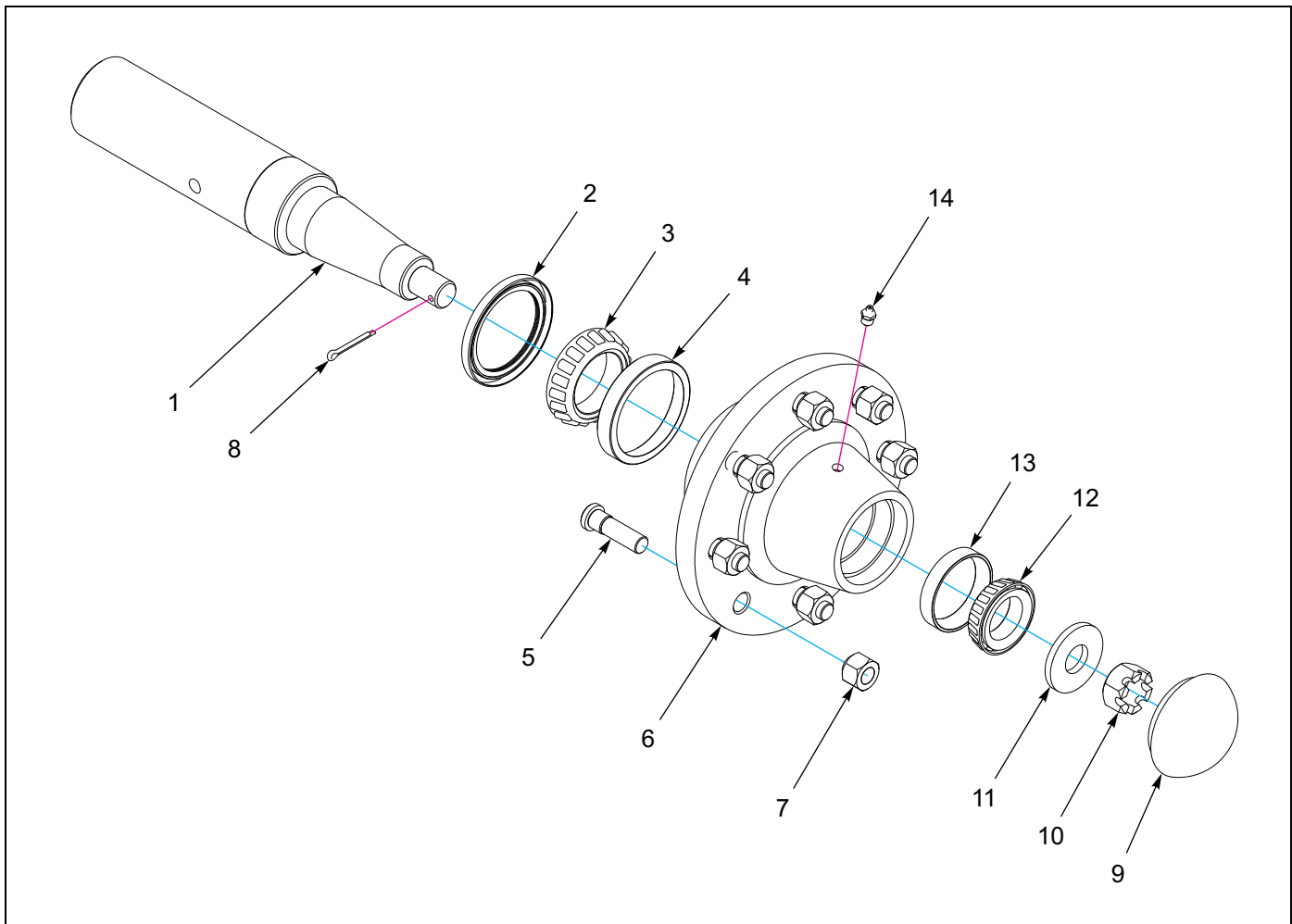


Figure 1-9: Hub and Spindle Assembly - 8 Bolt (3")

Hub and Spindle Assembly - 8 Bolt (3")

ITEM	PART NO.	DESCRIPTION	QTY.
--	156972	HUB AND SPINDLE ASSEMBLY - 8 BOLT, 3"	
1	156973	SPINDLE, 3 X16-1/2	1
2	159970	SEAL, TRIPLE LIP, 4OD X 3ID X 3/8	1
3	156979	CONE, BEARING, 387AS	1
4	111962	CUP, INNER BEARING	1
5	4001060	STUD BOLT, 5/8 X 2-1/2	1
6	156974	HUB W/ CUPS, 8 BOLT	1
7	102600	NUT, WHEEL BOLT, 5/8-18	8
8	1-557-010362-51	COTTER PIN, 3/16 X 1-1/2	1
9	102601	HUBCAP, 8-BOLT HUB	1
10	1-516-010001-20	NUT, SLDT HEX, 1-14 UNS	1
11	1-861-010005	WASHER, SPINDLE 1	1
12	102498	CONE, BORE BEARING OUTER 1.625	1
13	102604	CUP, OUTER BEARING	1
14	5000	ZERK	1

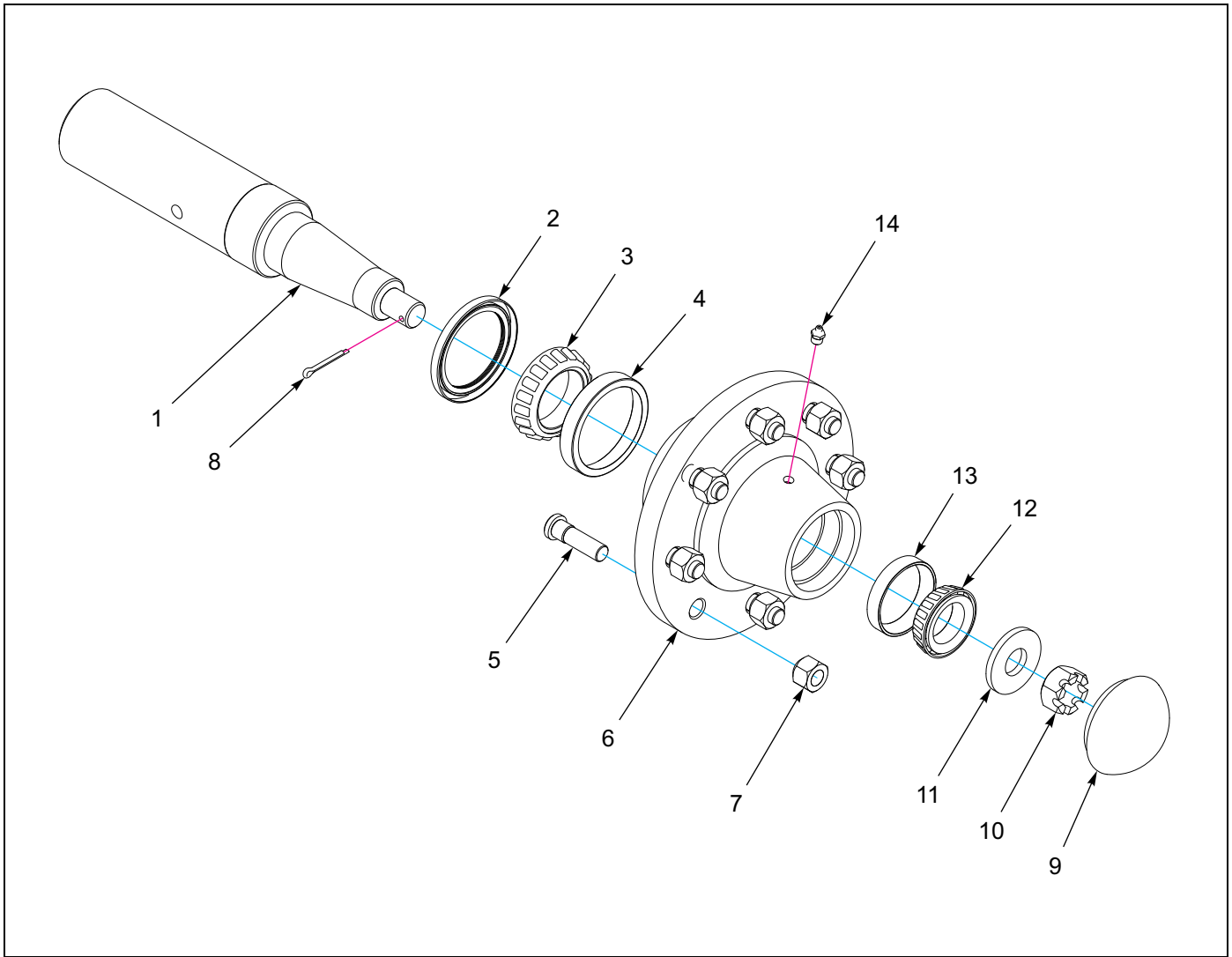


Figure 1-10: Hub and Spindle Assembly - 8 Bolt (4'')

Hub and Spindle Assembly - 8 Bolt (4'')

ITEM	PART NO.	DESCRIPTION	QTY.
--	188637	HUB AND SPINDLE ASSEMBLY - 8 BOLT	
1	188640	SPINDLE, 4 X 18-1/4	1
2	171107	SEAL, TRIPLE LIP 4-1/8 OD X 3-1/4 ID X 3/8	1
3	170310	CONE BEARING	1
4	171771	INNER CUP	1
5	171772	STUD BOLT 3/4-16 X 2-3/4 GR8	1
6	170302	HUB W/ CUPS, 8 BOLT 10,000 LBS.	1
7	171773	NUT, HEX FLANGE 3/4-16 GR5	8
8	1-557-010362-51	PIN, COTTER 3/16 X 1-1/2	1
9	102601	HUB CAP, 8 BOLT	1
10	1-516-010001-20	NUT, HEX SLOT 1-14	1
11	1-861-010005	WASHER, SPINDLE 1	1
12	102498	BEARING CONE, OUTER 1.625	1
13	102604	OUTER CUP	1
14	5000	FITTING, ZERK 1/8	1

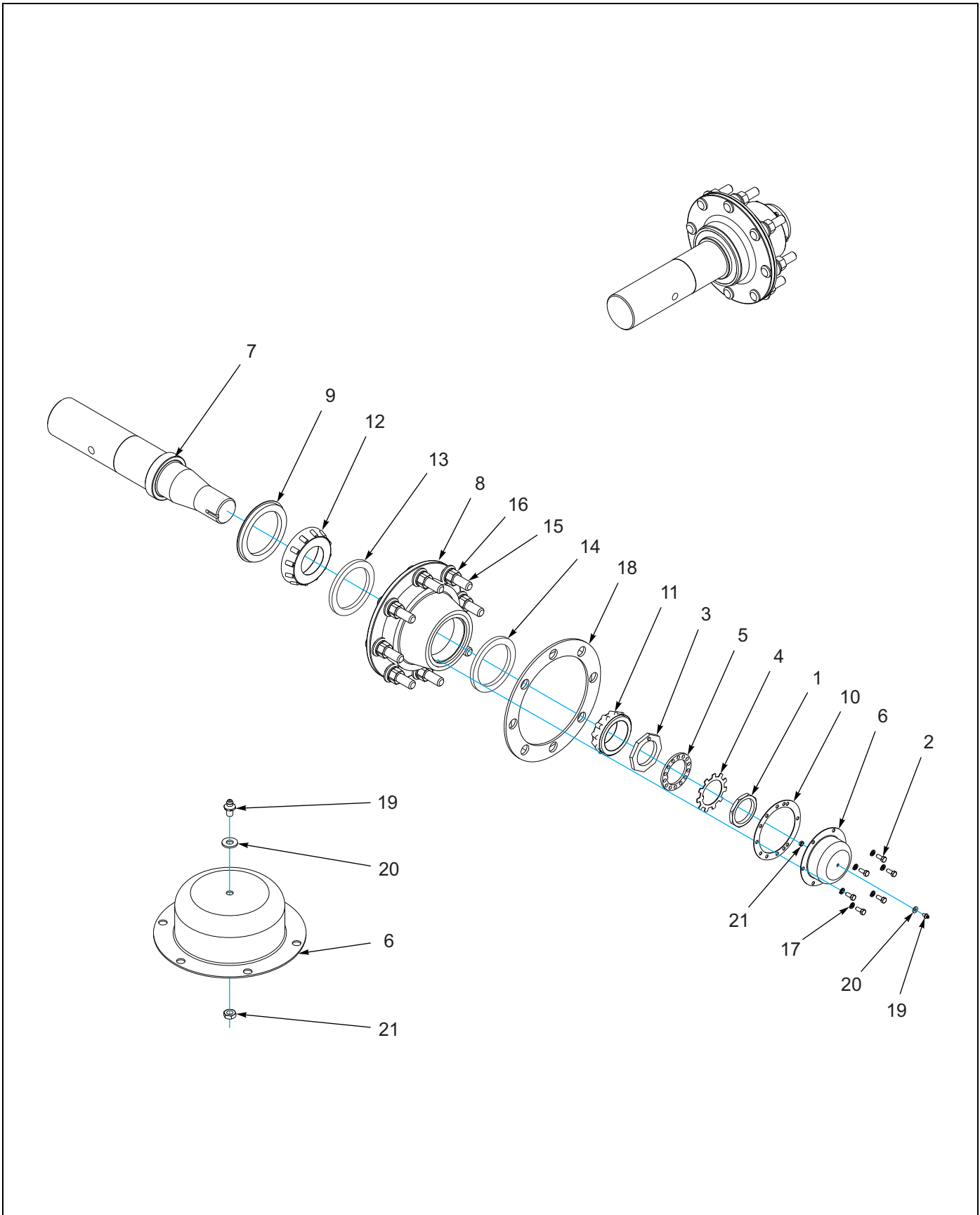


Figure 1-11: Hub and Spindle Assembly - 8 Bolt (4" W/ Zerk)

Hub and Spindle Assembly - 8 Bolt (4" W/ Zerk)

ITEM	PART NO.	DESCRIPTION	QTY.
--	191974	HUB/SPINDLE ASSY, 4" W/ZERK	
1	006-115-00	NUT, OUTER SPINDLE	1
2	1-654-010049-03	SCREW, HEX HEAD CAP 5/16-18 X 3/4 GR5	6
3	103103-002	INNER SPINDLE NUT	1
4	105106	STAR LOCKWASHER	1
5	105107	LOCK WASHER	1
6	191976	HUBCAP W/ 1/4 HOLE	1
7	167649	SPINDLE AND SLEEVE ASSEMBLY, 4 X 22-1/4	1
8	164557	HUB W/CUPS, 8 BOLT (INCL. ITEMS 14-17)	1
9	184769	SEAL, PURGABLE 6 OD X 4-4/8 ID	1
10	3067	GASKET, HUB	1
11	HM212049	OUTER BEARING A19S	1
12	HM218248	INNER BEARING	1
13	HM218210	INNER BEARING CUP	1
14	HM212011	OUTER BEARING CUP	1
15	101162	STUD BOLT (8 BOLT)	8
16	179933	LUG NUT (8 BOLT)	8
17	1-861-010034-10	WASHER, SPLIT LOCK 5/16	6
18	167586	SPACER, WHEEL	1
19	5013	ZERK, FITTING 1/4-28SAEX11/16	1
20	1-861-010032-06	WASHER, FLAT 1/4 N ZP/CD	1
21	1404013	NUT JAM HEX HD GR 5 1/4-28	1

Hitches & Leveling System

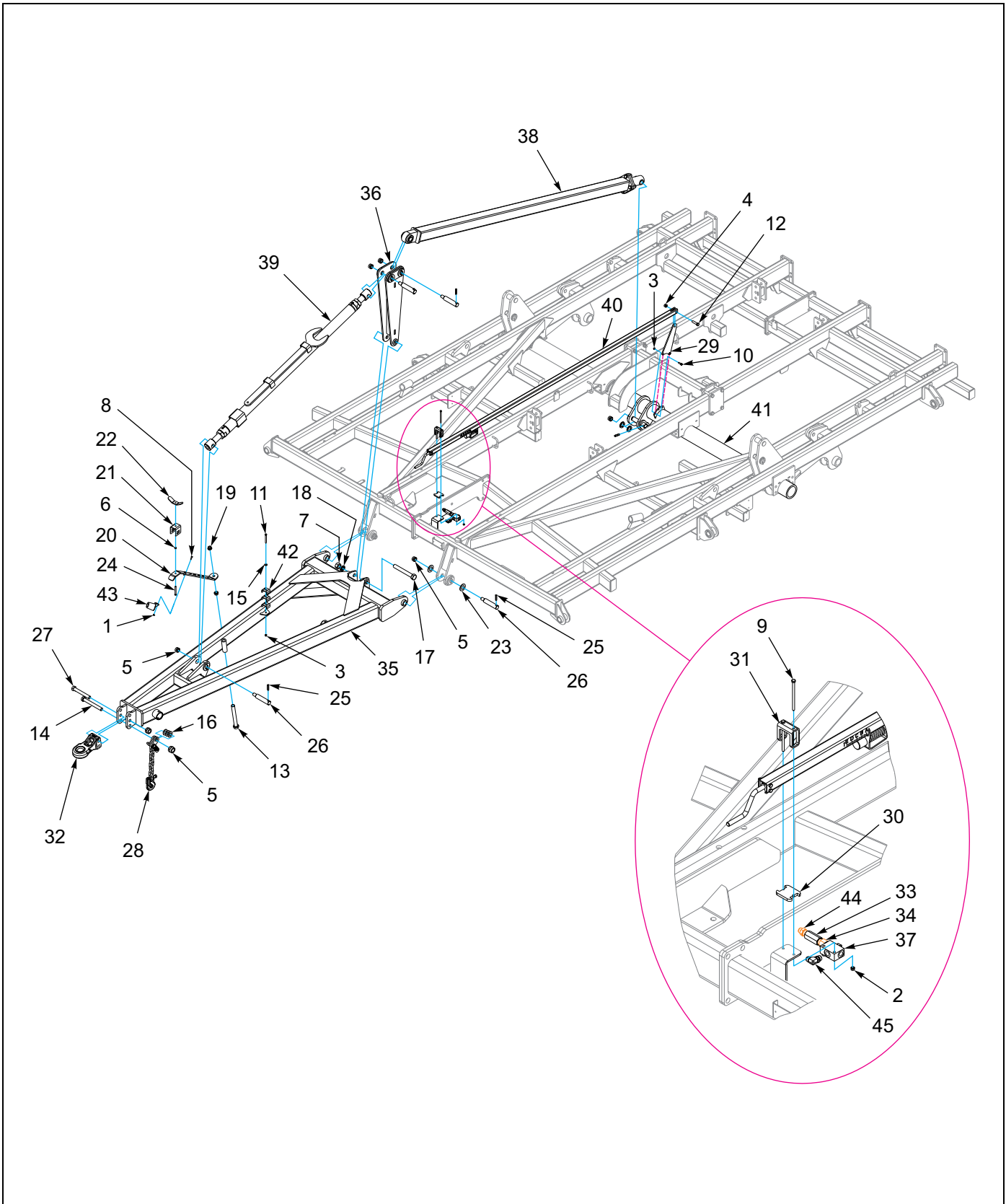


Figure 1-12: Hitch and Leveling Linkage Assembly

Hitch and Leveling Linkage Assembly

ITEM	PART NO.	DESCRIPTION	QTY.
1	1-512-010005-01	NUT,HEX,SLFLKG GRB 1/4-20	2
2	1-512-010005-03	NUT HEX SLFLKG GRB 5/16-18	2
3	1-512-010005-05	NUT, HEX, SLFLKG GRB 3/8-16	3
4	1-512-010005-13	NUT,HEX SLFLKG GRB 5/8-11	1
5	1-512-010005-19	NUT 1-8 HEX SLF-LOCKING GRB	7
6	1-512-010007-07	NUT, HEX 3/8-16 ZP	1
7	1-512-010007-16	NUT,HEX 1-1/4-7, ZP	1
8	1-654-010047-06	SCREW,HX CP 1/4-20UNCX1 GR5	2
9	1-654-010049-19	SCREW,HEX CP,5/16-18UNCX5 GR5	2
10	1-654-010051-06	SCREW,HEX CAP 3/8-16UNCX1-1/4	2
11	1-654-010051-15	SCREW HXCP 3/8-16UNCX3-1/2 G5	1
12	1-654-010059-07	SCREW HX CP 5/8-11UNCX2-1/2G5	1
13	1-654-010061-19	SCREW,HX CP 3/4-10UNCX7 GR5	1
14	172581	SCREW HX CP 1-8UNCX9-1/2G8ZP	1
15	1-861-010032-11	WASHER, FLAT 3/8 W ZP/CD	1
16	1-861-010032-24	WASHER FL 1IN NARROW ZP	3
17	100808	SCREW CP HXHD 1-1/4-7X9-1/2G8	1
18	100825	WASHER, LKG, HLCL SPR 1-1/4	1
19	103841	NUT,FLG,LNK,SERRATED 3/4-10UNC	2
20	141246	BRACKET, HOSE HOLDER	1
21	141247	CLAMP, HOSE HOLDER	1
22	141249	WING NUT, HOSE HOLDER	1
23	141266	WASHER, THRUST 1-1/2	4
24	141807	SCREW 3/8-16UNCX3-1/2 ALLTHRD	1
25	144115	PIN, GROOVED ALLOY 1/2X2-1/4	5
26	144493	PIN, HITCH	5
27	153696	BOLT, HITCH CLEVIS	2
28	193183	SAFETY CHAIN, 61,000 LB	1
29	164124	MOUNT, DEPTH CONTROL	1
30	165257	PAD, SLIDE	1
31	165265	GUIDE, DEPTH STOP	1
32	189451	HITCH, BALL CAT IV, 3-HOLE(SEE PAGE 1-22)	1
33	181933	VALVE, IN-LINE RES	1
34	181938	ADAPTER, #8MORB X #10FORB	1
35	184775	HITCH	1
36	184780	TOWER, LEVELER-30"	1
37	185660	VALVE, LIMIT	1
38	187151	LEVELER, ASSEMBLY	1
39	187180	RADIUS ASSY, 2 THRD, 1-1/2 PIN	1
40	188536	DEPTH STOP ASSY	1
41	188637	LIFT, CENTER ASM	1
42	2-181-010001	HOSE CLAMP	3
43	2-368-010287	HARNESS, STOR-A-WAY	1
44	202702-10-8S	ADAPTER, #10 O-RING, #8 TUBE	1
45	2062-8-8S	ADAPTER 90, #8 O-RING TUBE	1

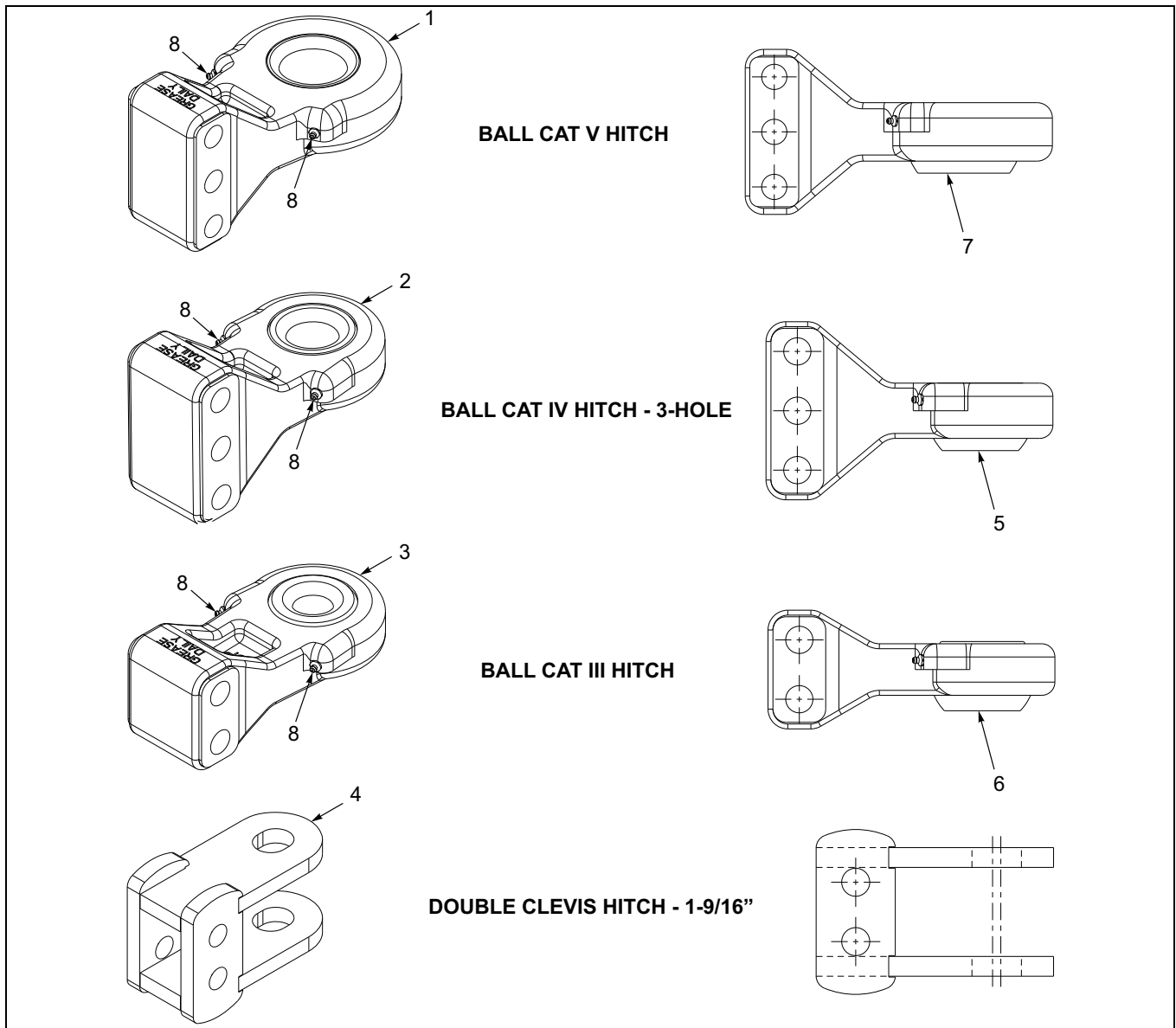


Figure 1-13: Hitch Assemblies

Hitch Assemblies

ITEM	PART NO.	DESCRIPTION	QTY.
1	177032	HITCH, BALL V	1
2	189451	HITCH, BALL CAT IV, 3-HOLE	1
3	177030	HITCH, BALL CAT III	1
4	161550	HITCH CLEVIS, DOUBLE 1-9/16"	1
5	189454	BUSHING, SPHERICAL, 2" ID (Standard)	1
5	189453	BUSHING, SPHERICAL 1-1/2 ID	1
6	189453	BUSHING, SPHERICAL, 1-1/2" ID (Standard)	1
6	189454	BUSHING, SPHERICAL 2 ID	1
7	189468	BUSHING, SPHERICAL, 2-3/4" ID (Standard)	1
7	189467	BUSHING, SPHERICAL 2 ID	1
8	1-298-010001-1	ZERK FITTING 1/4 SAE	1

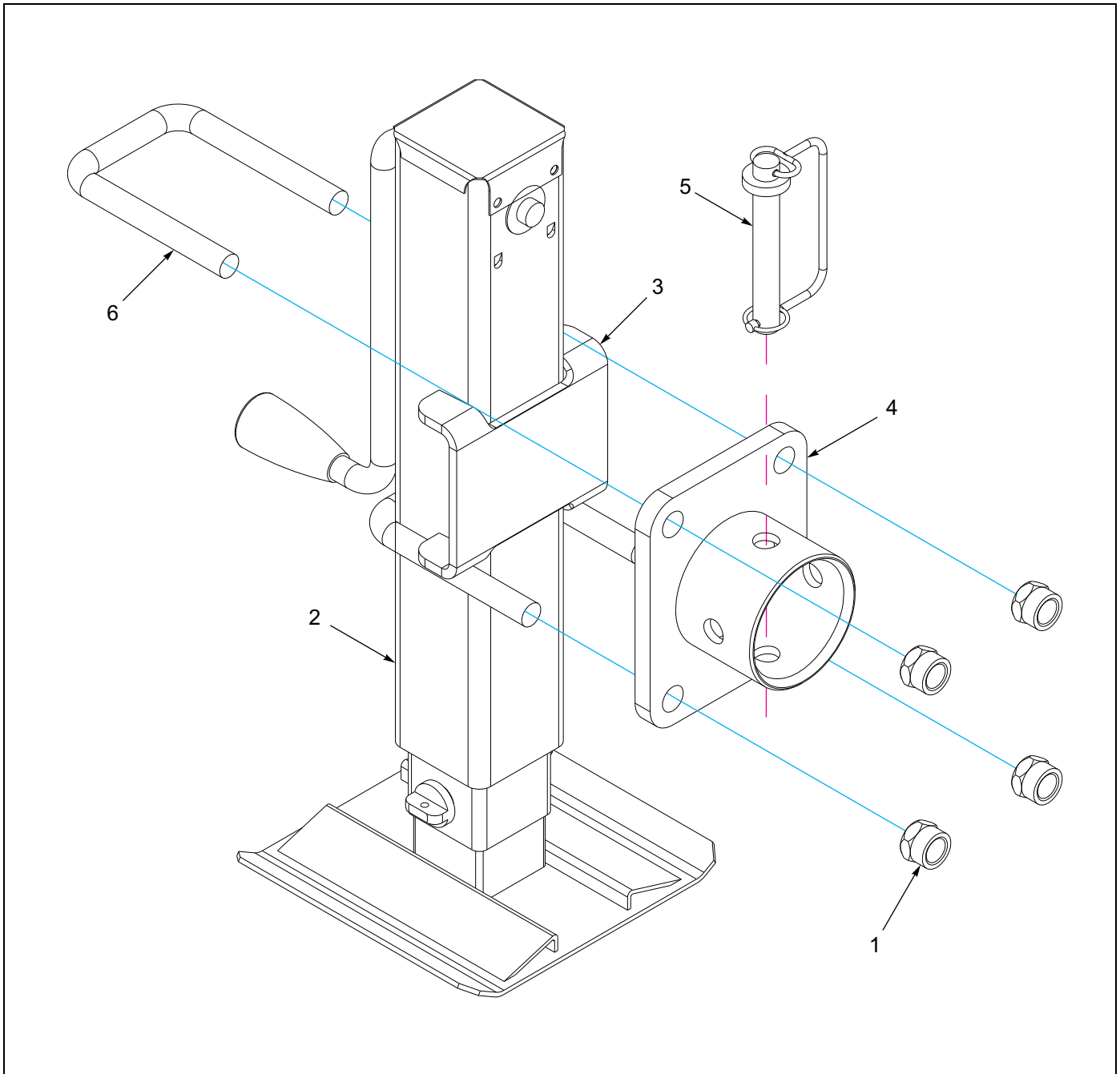


Figure 1-14: 10,000 Lb. Sidewind Jack Assembly

10,000 LB. Sidewind Jack Assembly

ITEM	PART NO.	DESCRIPTION	QTY.
--	183967	JACK, SIDEWIND 10,000 LB	
1	1-512-010005-13	NUT, HEX, SLFLKG, 5/8-11 UNC, GRB	4
2	135421	JACK, 10,000 LBS	1
3	179746	CLAMP PLATE, JACK MOUNT	1
4	183968	MOUNT, JACK	1
5	3-557-010415	PIN, 5/8 W/L	1
6	4J411	U-BOLT, 5/8 X 3 X 5	2

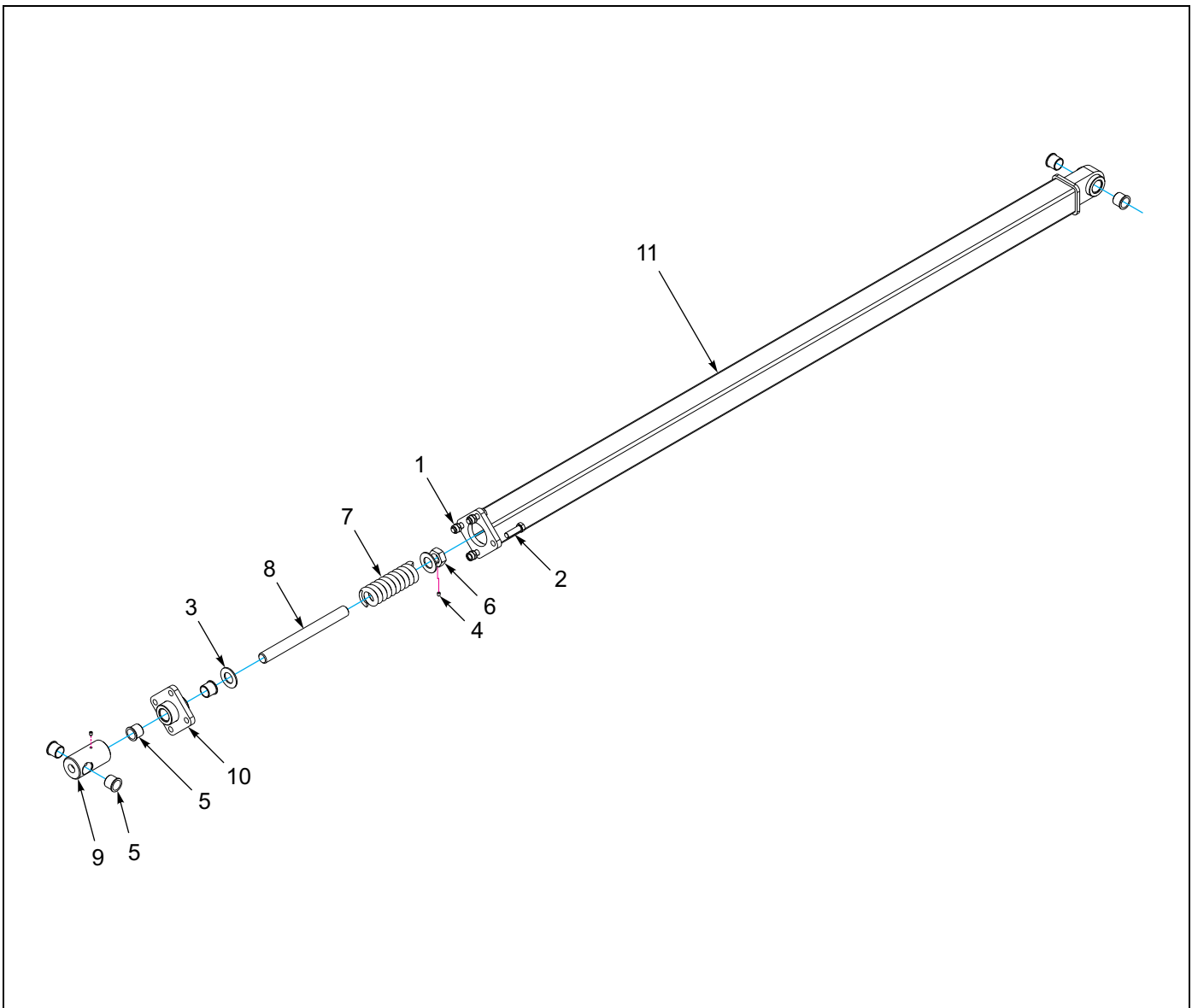


Figure 1-15: Leveler Assembly

Leveler Assembly

ITEM	PART NO.	DESCRIPTION	QTY.
--	187151	LEVELER, ASSEMBLY	
1	1-512-010005-15	NUT,HEX,SLFLKG GRB 3/4-10	4
2	1-654-010061-07	SCREW,HX CP 3/4-10UNCX2-1/2G5	4
3	1-861-010032-32	WASHER FLAT ZP/CD 1-1/2	2
4	122709	SCREW,SET,HXSKTCPPT 3/8-16X1/2	2
5	140599	BEARING, FLANGE 1-1/2	6
6	140610	NUT,HEX JAM W/O SET SCREW	1
7	140649	SPRING, LEVELER, BLUE	1
8	149581	ROD, LEVELER SCREW	1
9	149582	PIVOT BLOCK, LEVELER TUBE	1
10	158803	SLIDE, LEVELER	1
11	187152	LEVELER TUBE	1

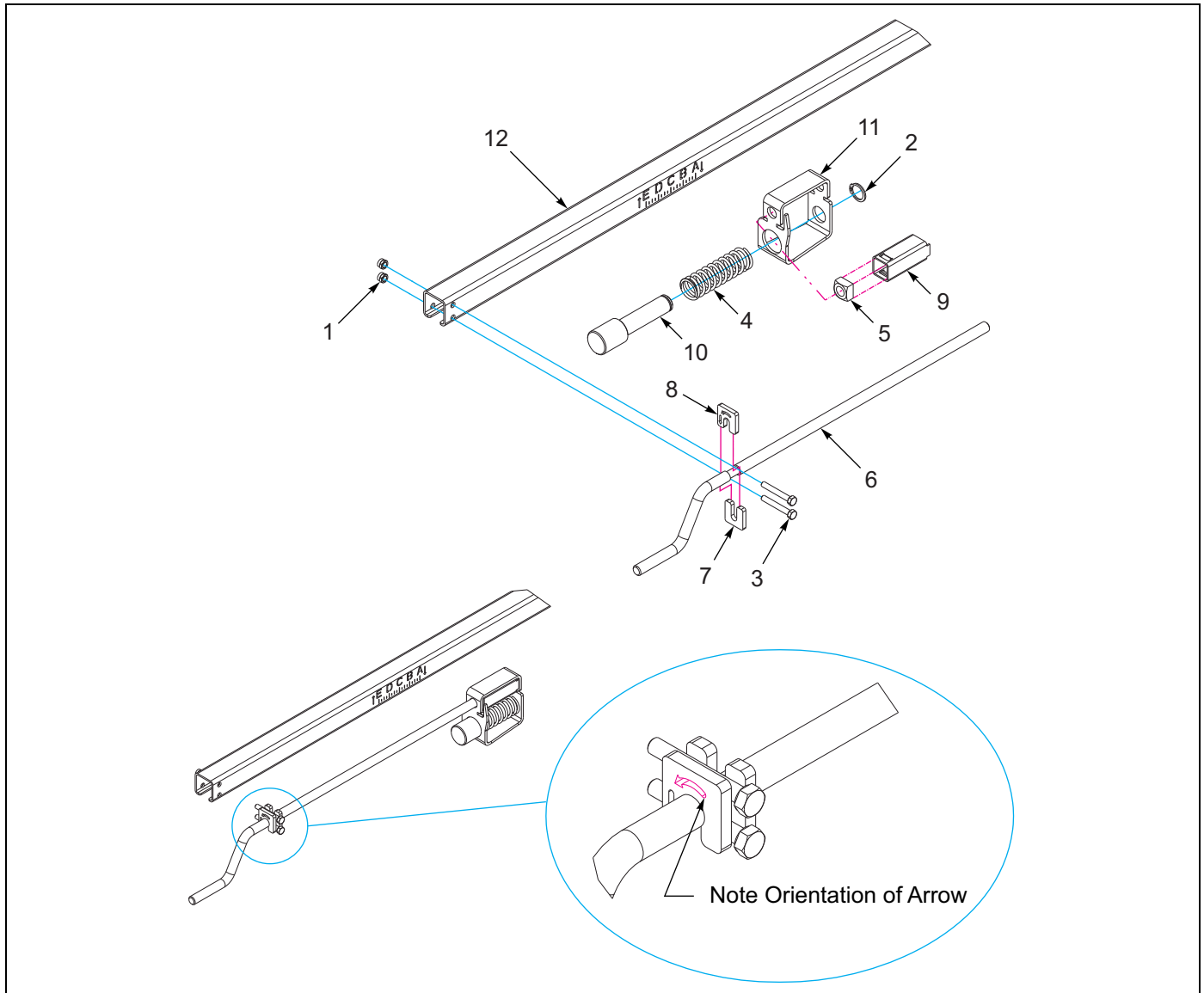


Figure 1-16: Depth Stop Tube Assembly

Depth Stop Tube Assembly

ITEM	PART NO.	DESCRIPTION	QTY.
--	180120	DEPTH STOP ASSEMBLY	1
1	1-512-010005-03	NUT, HEX LOCK 5/16-18 GRB	2
2	1-630-010021-03	RING, RETAINING 1 HD	1
3	108628	SCREW, HEX HEAD CAP 5/16-18 X 2-1/4 GR5	2
4	122917	SPRING, COMPRESSION 4-1/2	1
5	144048	NUT, SQUARE 5/8-11 GR5	1
6	165258	HANDLE, DEPTH STOP	1
7	165259	STOP, HANDLE LONG	1
8	165260	STOP, HANDLE SHORT	1
9	166717	SQUARE TUBE, FLOATING	1
10	174708	PIN, DEPTH STOP	1
11	174709	SQUARE TUBE, DEPTH STOP	1
12	188537	SQUARE, TUBE, DEPTH STOP, 127-1/2"	1

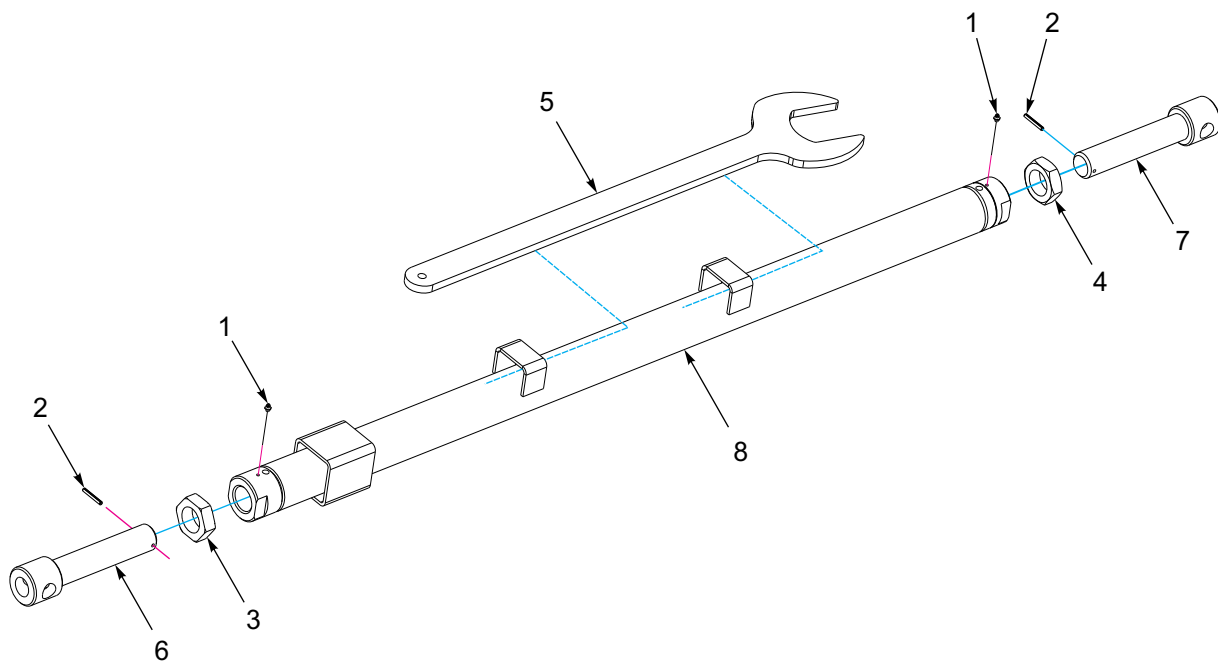


Figure 1-17: Radius Rod Assembly

Radius Rod Assembly

ITEM	PART NO.	DESCRIPTION	QTY.
--	187180	RADIUS ASSY, 2 THRD, 1-1/2 PIN	
1	1-298-010001-1	FITTING, GREASE 1/4-28 STR SHORT	2
2	1-647-010004221	ROLL PIN, SLTD, 1/4 X 2	2
3	137931	NUT 2-12, HEX JAM, UNF GR5	1
4	139139	NUT 2-12, HEX JAM, LH THREAD G5	1
5	179763	WRENCH, ADJUSTMENT	1
6	187181	RH ASSY, RADIUS ROD-2 THRD, 1-1/2 PIN	1
7	187182	LH ASSY, RADIUS ROD-2 THRD, 1-1/2 PIN	1
8	183946	HITCH, RADIUS ROD - 2	1

Disc Gang Assemblies

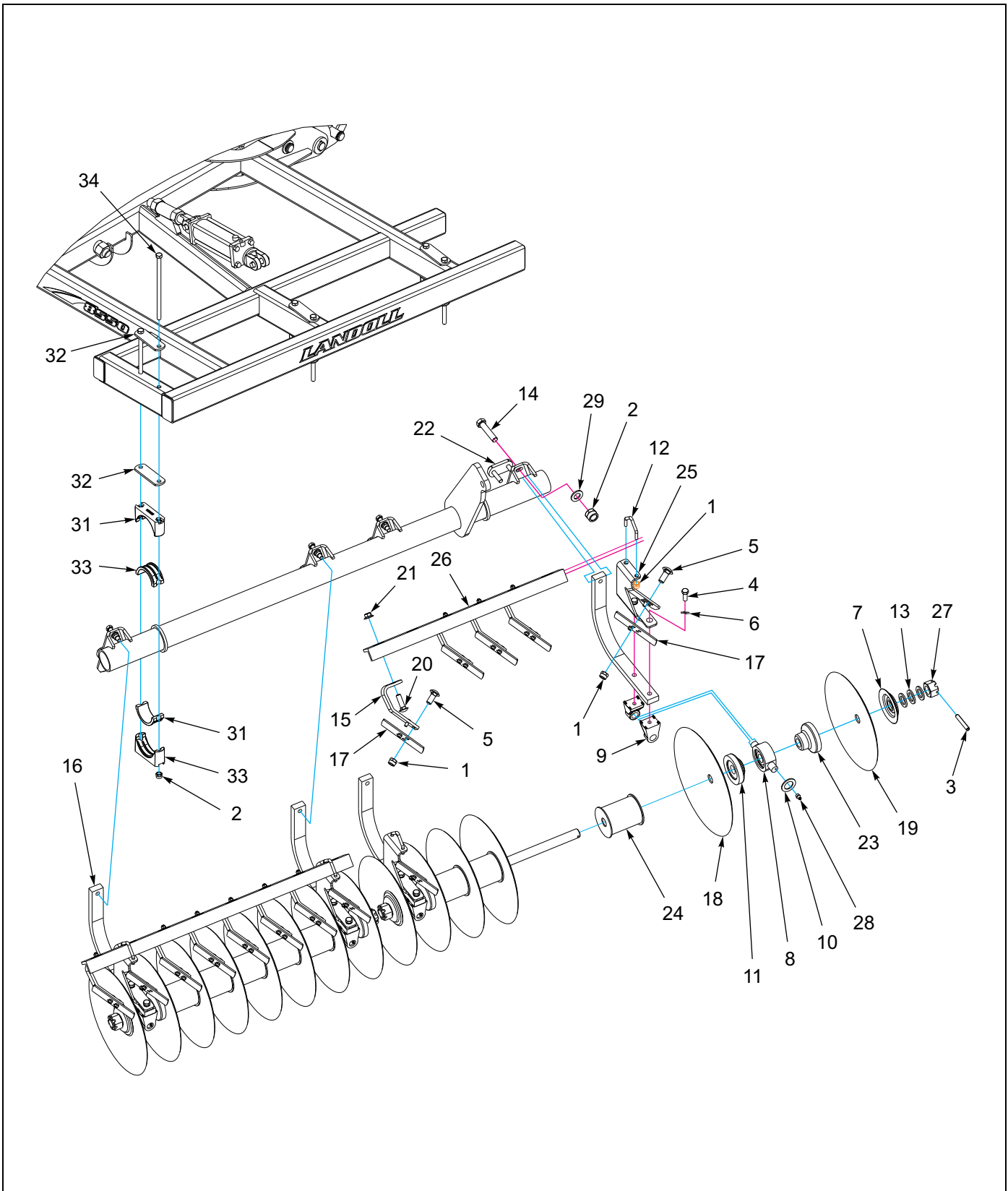


Figure 1-18: Disc Gang Assembly

Disc Gang Assembly

ITEM	PART NO.	DESCRIPTION	QTY.
1	1-512-010005-09	NUT,HEX,SLFLKG, 1/2-13 GRB	
2	1-512-010005-15	NUT,HEX,SLFLKG GRB 3/4-10	
3	1-647-010004257	PIN,SPRING,SLOTTED 3/8X2-1/2	
4	1-654-010032-09	SCREW HEX CAP 3/4-10X3 GR8	
5	1-654-010070-02	SCREW 1/2-13X1-1/4 RD HD SQNK	
6	1-861-010034-17	WASHER,LKG,HLCL SPR,3/4	
7	140469	END COLLAR	
7	182401	END COLLAR (USED IN CENTER OF MACHINE ONLY)	
8	140477	BEARING, DISC 1.775 ID ASSY	
9	140479	MOUNT, TRUNNION BEARING	
10	140480	WASHER, TRUNNION	
11	140485	HALF SPOOL, CONCAVE	
12	140487	UBOLT, SCRAPER BAR MOUNT	
13	141154	WASHER GANG SHAFT	
14	141776	SCREWHXCP 3/4-10UNCX3-1/2GR5B	
15	144155	ARM, SCRAPER	
16	148386	SHANK, DISC BEARING, STRAIGHT	
17	151550	SCRAPER, 4"	
18	155617	DISC BLADE,22"X1/4" 1-3/4 ID	
18	155618	DISC BLADE,22"X1/4" 1-3/4 ID, ROLLABLE	
19	155619	DISC BLADE,20"X1/4" 1-3/4 ID	
20	160161	SHAKER BOLT1/2-13X1-3/4 GR8ZP	
21	172509	NUT,1/2-13 WIDE FLNG TOP LCK F	
22	179756	CLAMP PLATE, 2-HOLE	
23	179757	HALF SPOOL, CONVEX 7-1/2 SP	
24	179758	SPOOL WELDMENT, 7-1/2 SP	
25	179761	SCRAPER BAR MOUNT, LEFT	
25	179760	SCRAPER BAR MOUNT, RIGHT	
26	179766	SCRAPER BAR, 7-1/2 SP 6 HOLE	
27	23085	NUT HEX SLOTTED 1 3/4-5	
28	5000	ZERK FITTING 1/8NPT	
29	622-3511-008	WASHER, FLAT 3/4 MIL-CARB SAE	
30	1-512-010005-13	NUT,HEX SLFLKG GRB 5/8-11	
31	188038	BRG HALF, 4-1/2 INSERT	
32	188649	PLATE, CLAMP-6"	
33	2P793	BRG INSERT, 4 1/2 INSERT	
34	149193	SCREW HX CP 3/4-10UNCX15 GR5	
34	167637	SCREW HX CP 3/4 10 UNCX16 GR5 (USED ONLY ON CENTER FRAME)	

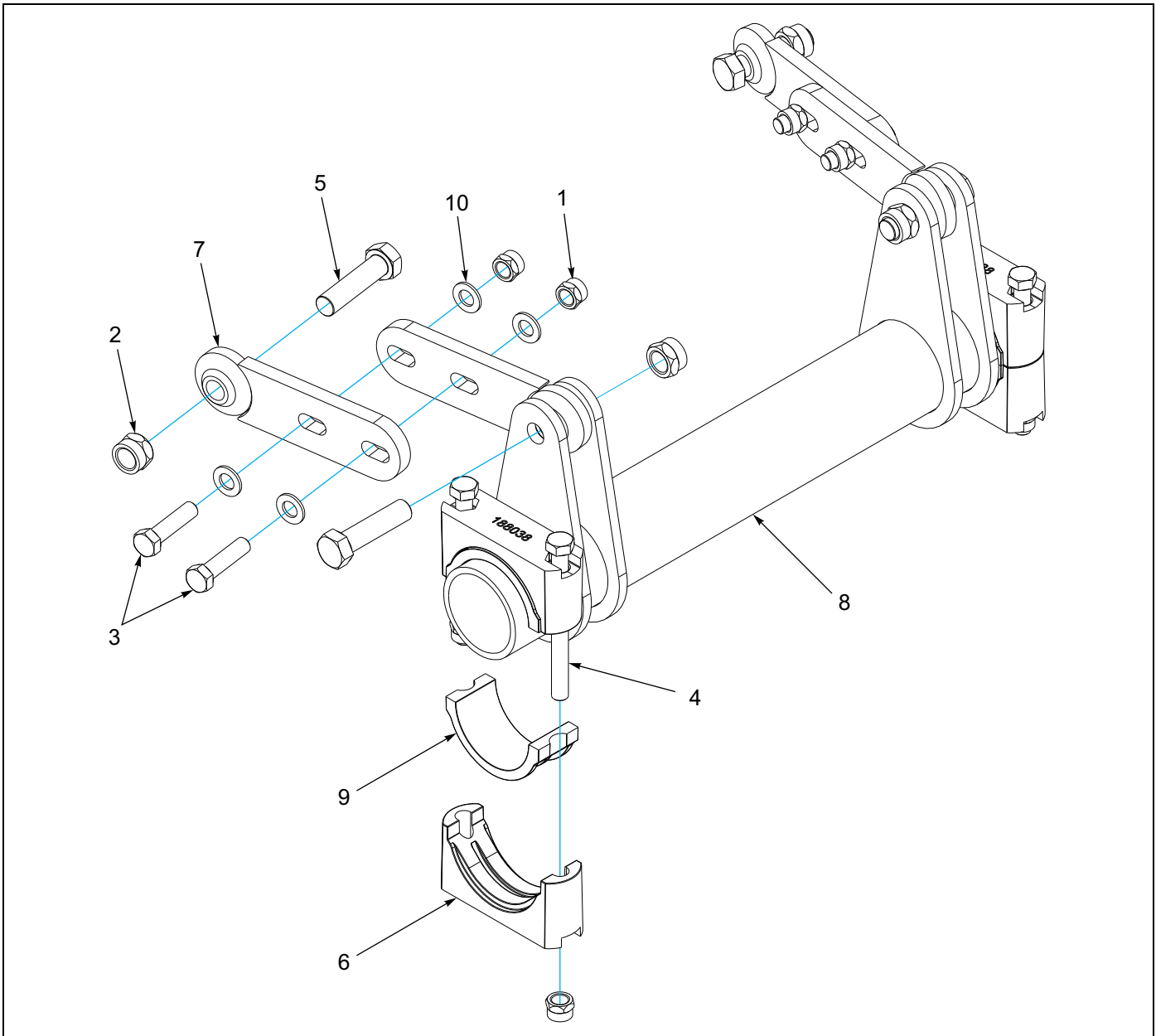


Figure 1-19: Center Gang Lift Assembly

Center Gang Lift Assembly

ITEM	PART NO.	DESCRIPTION	QTY.
1	1-512-010005-15	NUT,HEX,SLFLKG GRB 3/4-10	8
2	1-512-010005-19	NUT 1-8 HEX SLF-LOCKING GRB	4
3	1-654-010032-09	SCREW HEX CAP 3/4-10X3 GR8	4
4	1-654-010061-21	SCREW,HX CP,3/4-10UNCX8	4
5	1-654-010065-13	SCREW, HX CP 1-8UNC X 4 GR5	4
6	188038	BRG HALF, 4-1/2 INSERT	4
7	188539	LINK WLDMT, BALL JOINT	4
8	188541	LIFT, CF GANGS	1
9	2P793	BRG INSERT, 4 1/2 INSERT	4
10	622-3511-008	WASHER, FLAT 3/4 MIL-CARB SAE	8

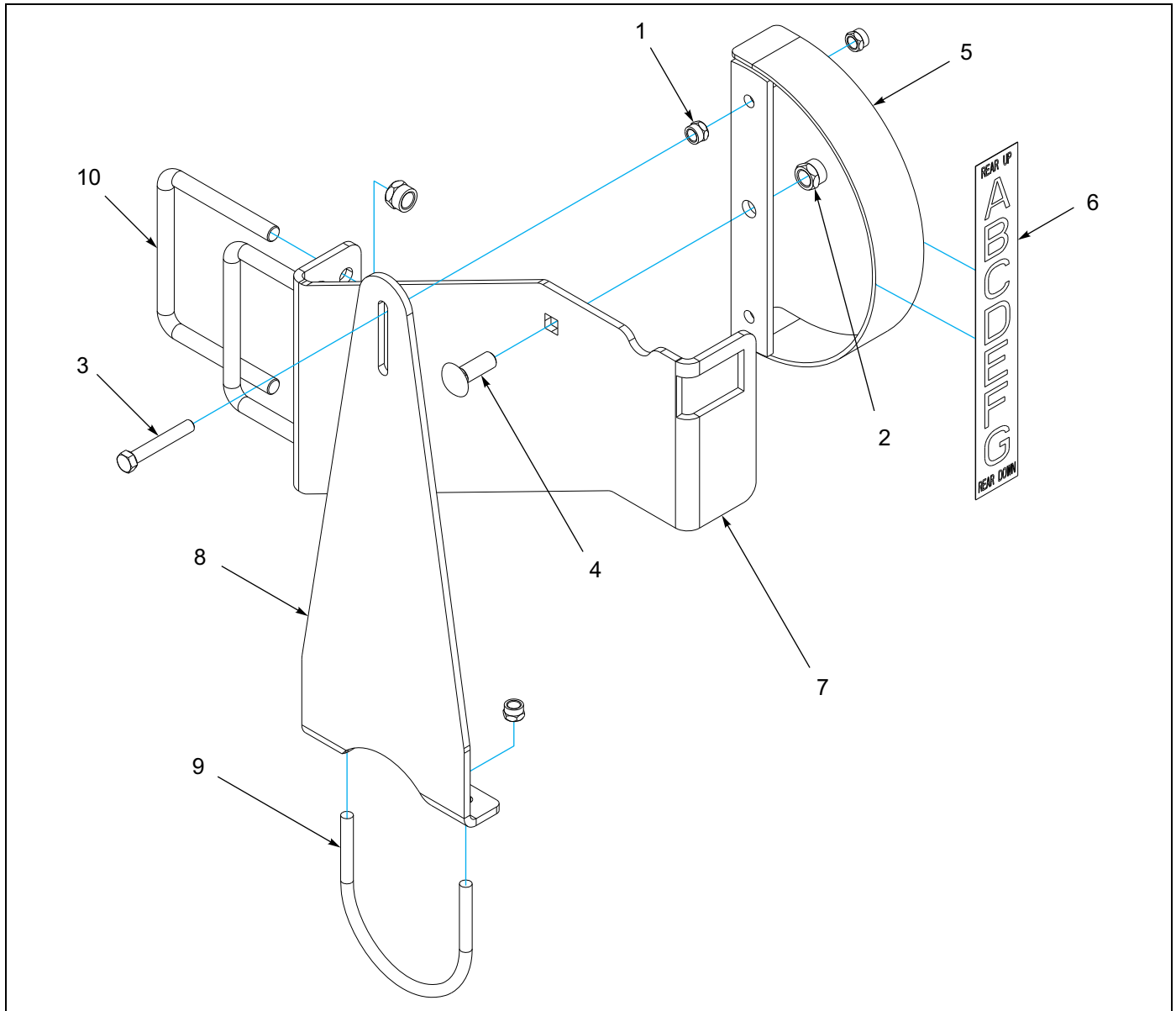


Figure 1-20: Depth Gauge Assembly

Depth Gauge Assembly

ITEM	PART NO.	DESCRIPTION	QTY.
--	183927	DEPTH GAUGE ASSEMBLY	
1	1-512-010005-05	NUT, HEX, SLFLKG GRB 3/8-16	4
2	1-512-010005-09	NUT, HEX, SLFLKG, 1/2-13 UNC, GRB	5
3	1-654-010051-11	SCREW, HEX, 3/8-16 UNC X 2-1/2, GR5	1
4	1-654-010070-03	SCREW, RDH, SQ NK, 1/2-13 X 1-1/2	1
5	141241	GAUGE, LEVEL INDICATOR	1
6	141263	DECAL, LEVEL INDICATOR	1
7	183925	MOUNT, DEPTH GAUGE	1
8	183926	MOUNT, DEPTH GAUGE ARM	1
9	2-102-010062	U-BOLT, 4.937 X 5	1
10	7K858	U-BOLT, 1/2-13 X 5-1/2 X 4-1/4	2

Shank Assemblies

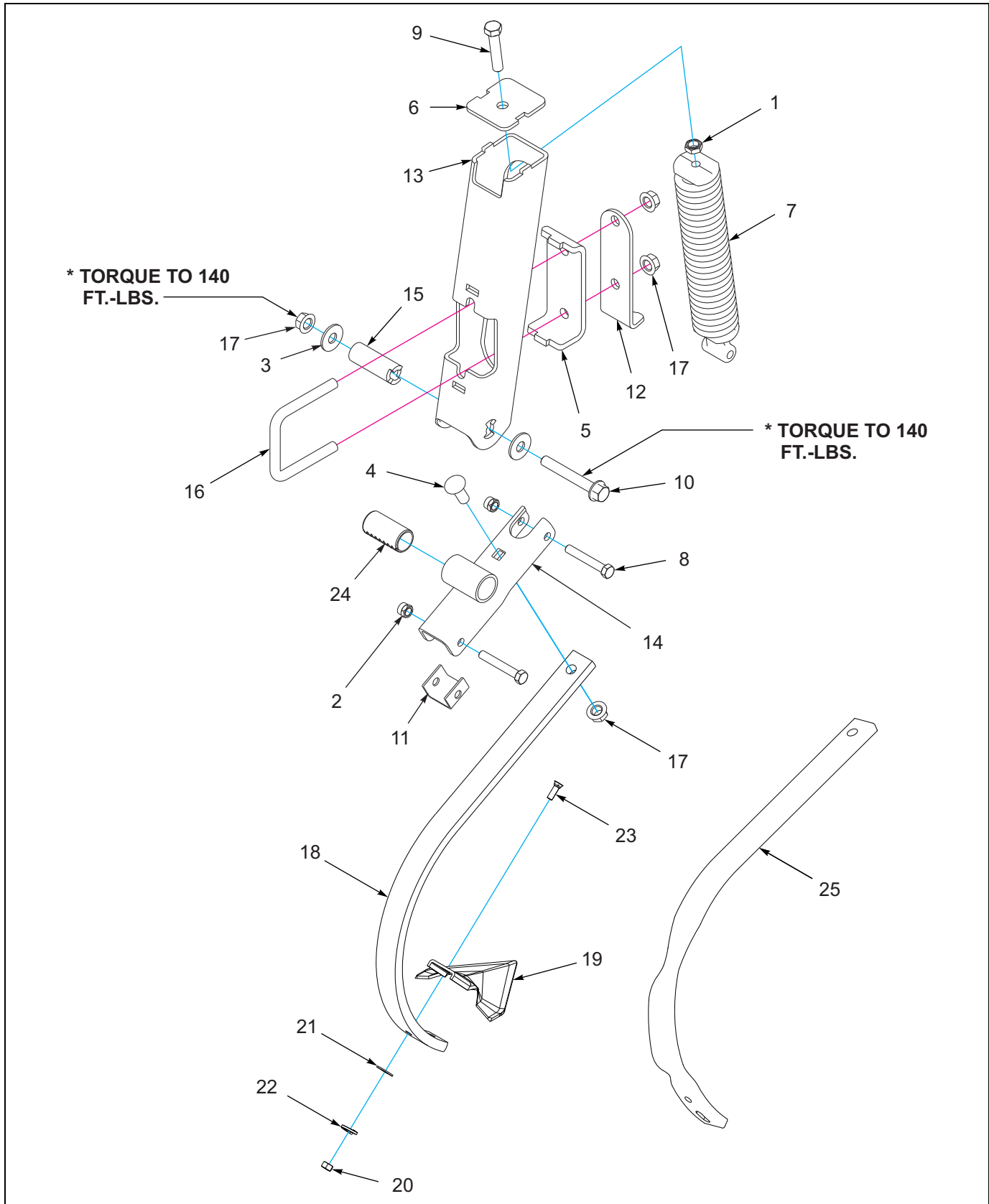


Figure 1-21: Spring Shank Assembly

Spring Shank Assembly

ITEM	PART NO.	DESCRIPTION	QTY.
--	172670	SHANK ASSEMBLY, SPRING	1
1	1-511-010001-07	NUT, HEX JAM 5/8-11	1
2	1-512-010005-09	NUT, HEX LOCK 1/2-13 GRB	2
3	1-861-010032-19	WASHER, FLAT 5/8W	2
4	133662	SCREW, RD HEAD SQ NECK 5/8-11 X 1-3/4	1
5	162904	CLAMP, SHANK MOUNT	1
6	162906	PLATE, SPRING	1
7	162930	SPRING ASSEMBLY	1
8	164146	SCREW, HEX HEAD CAP 1/2-13 X 3-1/4 GR5	2
9	164147	SCREW, HEX HEAD CAP 5/8-11 X 3, 2-1/2 THD GR5	1
10	164192	SCREW, FLANGE HEAD 5/8-11 X 4-1/2	1
11	166160	CLAMP, SHANK	1
12	172662	STOP, SPRING SHANK	1
13	172666	SQUARE TUBE, SHANK MOUNT	1
14	172667	CLAMP, SHANK	1
15	172671	BUSHING, CLAMP	1
16	2-102-010004	U-BOLT	1
17	29SFFL 5811	NUT, FLANGE HEAD LOCK 5/8-11	4
18	162905	SHANK, FLAT 5/8 X 1-3/4	1
19	8-689-010006	SWEEP, 9"	1
19	8-689-010009	SWEEP, 10"	1
19	108676	SWEEP, 1/4 X 9" ULTRAWING	1
19	2-689-010057	SWEEP, 1/4 X 10" ULTRAWING	1
20	1-512-010007-08	NUT, HEX 7/16-14 GRB	1
21	1-861-010032-13	WASHER, FLAT 7/16W	1
22	1-861-010034-12	WASHER, SPLIT LOCK 7/16	1
23	7/16-14X1-3/4PB	PLOW BOLT 7/16-14 X 1-3/4 GR5	1
24	172672	BUSHING, SPRING 1-1/2 X 1-1/4 X 2-15/16	1
25	185928	SHANK, 5/8 X 1-3/4 EDGE BENT	1

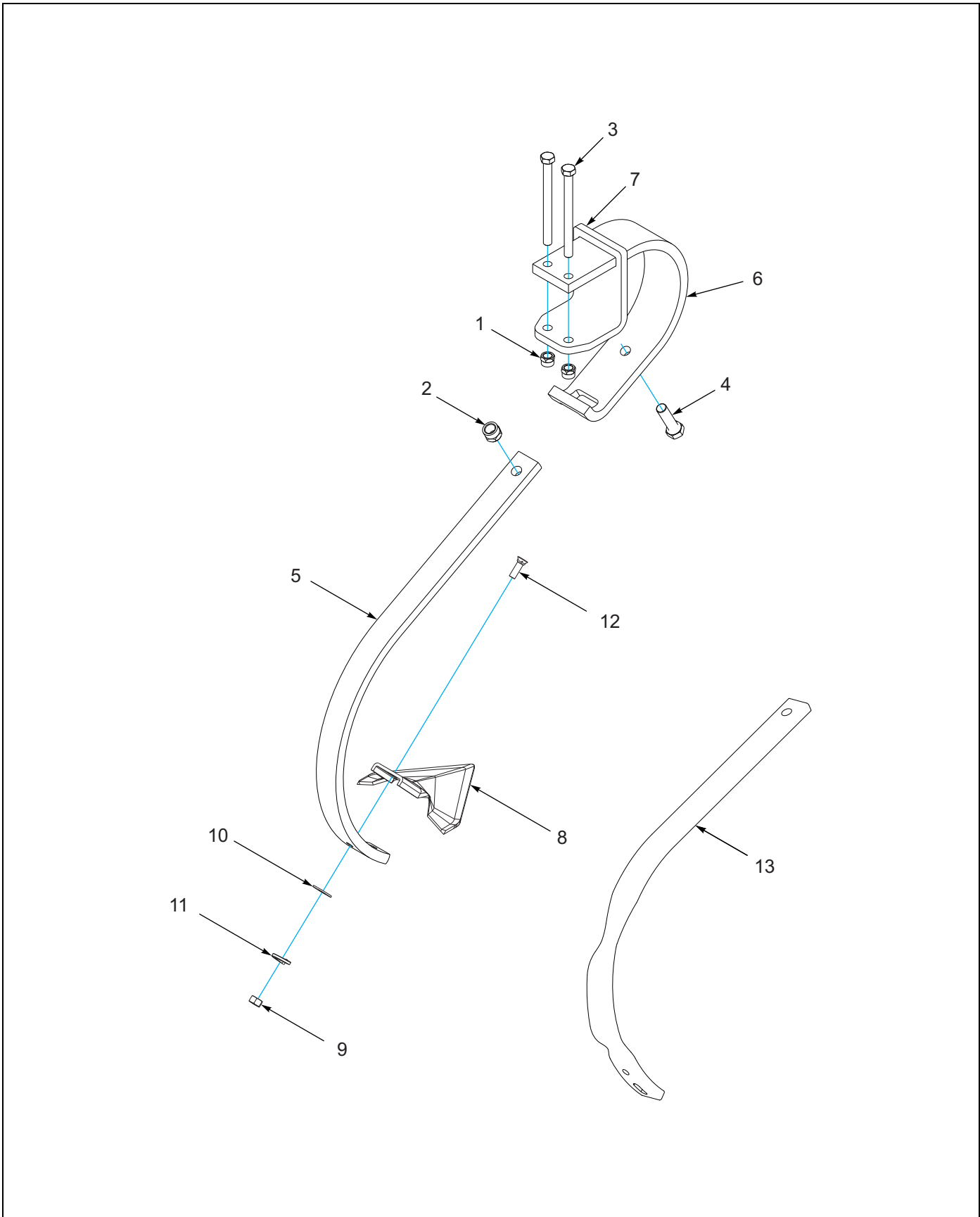


Figure 1-22: S-Tine Shank Assembly

S-Tine Shank Assembly

ITEM	PART NO.	DESCRIPTION	QTY.
--	166200	SHANK ASSEMBLY, S-TINE	
1	1-512-010005-09	NUT, HEX LOCK 1/2-13 GRB	2
2	29SFFL 5811	NUT, FLANGE HEAD LOCK 5/8-11	1
3	1-654-010055-17	SCREW, HEX HEAD CAP 1/2-13 X 6 GR5	2
4	1-654-010059-06	SCREW, HEX HEAD CAP 5/8-11 X 2-1/4 GR5	1
5	162905	SHANK, FLAT 5/8 X 1-3/4	1
6	166199	SPRING CLAMP, S-TINE	1
7	166201	CLAMP, S-TINE	1
8	8-689-010006	SWEEP, 9"	1
8	8-689-010009	SWEEP, 10"	1
8	108676	SWEEP, 1/4 X 9" ULTRAWING	1
8	2-689-010057	SWEEP, 1/4 X 10" ULTRAWING	1
9	1-512-010007-08	NUT, HEX 7/16-14 GRB	1
10	1-861-010032-13	WASHER, FLAT 7/16W	1
11	1-861-010034-12	WASHER, SPLIT LOCK 7/16	1
12	7/16-14X1-3/4PB	BOLT,PLOW 7/16X1-3/4 GR5 ZP	1
13	185928	SHANK,5/8 X 1-3/4 EDGE BENT	1

Disc Gang Shields

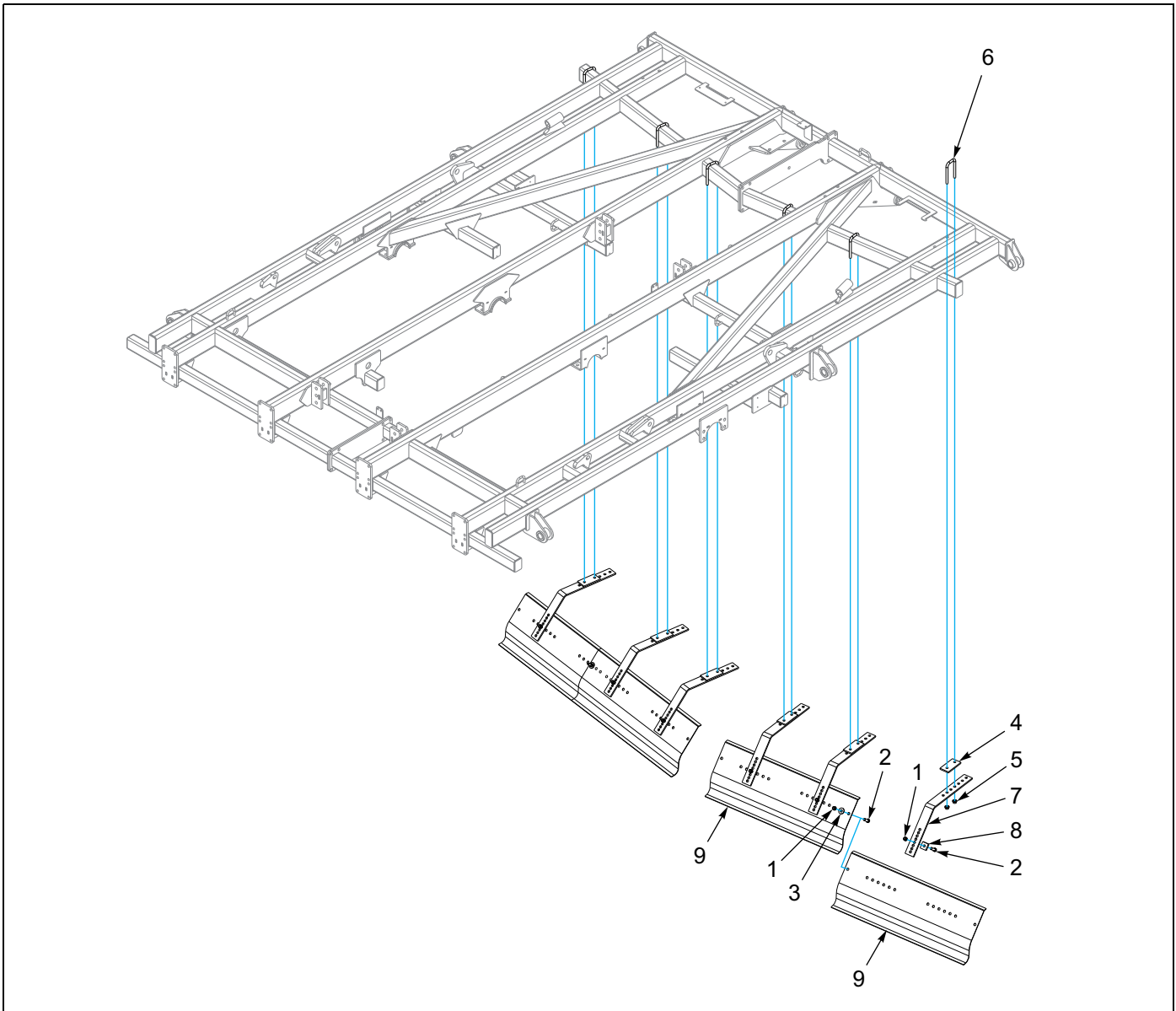


Figure 1-23: Disc Gang Shield - Center Frame 38'-48'

Disc Gang Shield - Center Frame 38'-48'

ITEM	PART NO.	DESCRIPTION	QTY.
1	1-512-010005-13	NUT,HEX SLFLKG GRB 5/8-11	16
2	1-654-010059-05	SCREW,HEX CAP,5/8-11UNCX2 GR5	16
3	1-861-010032-19	WASHER, FLAT 5/8 W ZP/CD	4
4	100693	CLAMP BRKT PAINTED	14
5	29SFFL 5811	NUT, FLANGE, HEAD LOCK, 5/8-11 UNC	28
6	203182	U-BOLT 5/8-11X7X3-11/16	14
7	8-681-010008	ADJ BRACKET SPRAY SHIELD 875	14
8	8-681-010010	BACKUP PLATE	14
9	8-681-010013	SPRAY SHIELD 48 IN 875 (38', 43', & 48')	8

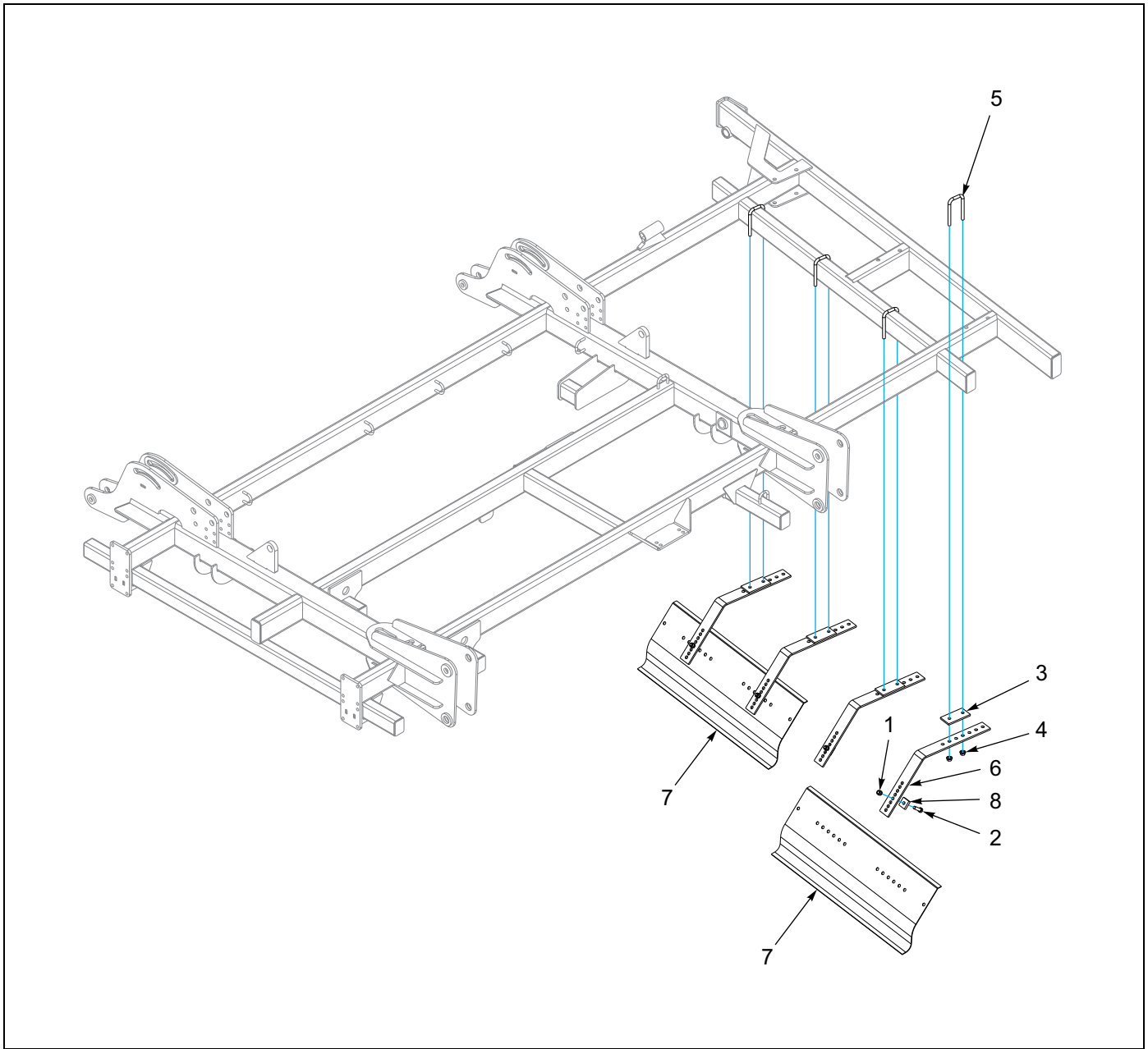


Figure 1-24: Disc Gang Shield - Inner Wing Frame 38'-48'

Disc Gang Shield - Inner Wing Frame 38'-48'

ITEM	PART NO.	DESCRIPTION	QTY.
1	1-512-010005-13	NUT,HEX SLFLKG GRB 5/8-11	16
2	1-654-010059-05	SCREW,HEX CAP,5/8-11UNCX2 GR5	16
3	100693	CLAMP BRKT PAINTED	14
4	29SFFL 5811	NUT, FLANGE, HEAD LOCK, 5/8-11 UNC	28
5	203182	U-BOLT 5/8-11X7X3-11/16	14
6	8-681-010008	ADJ BRACKET SPRAY SHIELD 875	14
7	8-681-010013	SPRAY SHIELD 48 IN 875 (43' & 48')	4
7	8-681-010014	SPRAY SHIELD 69 IN (38')	2
8	8-681-010010	BACKUP PLATE	14

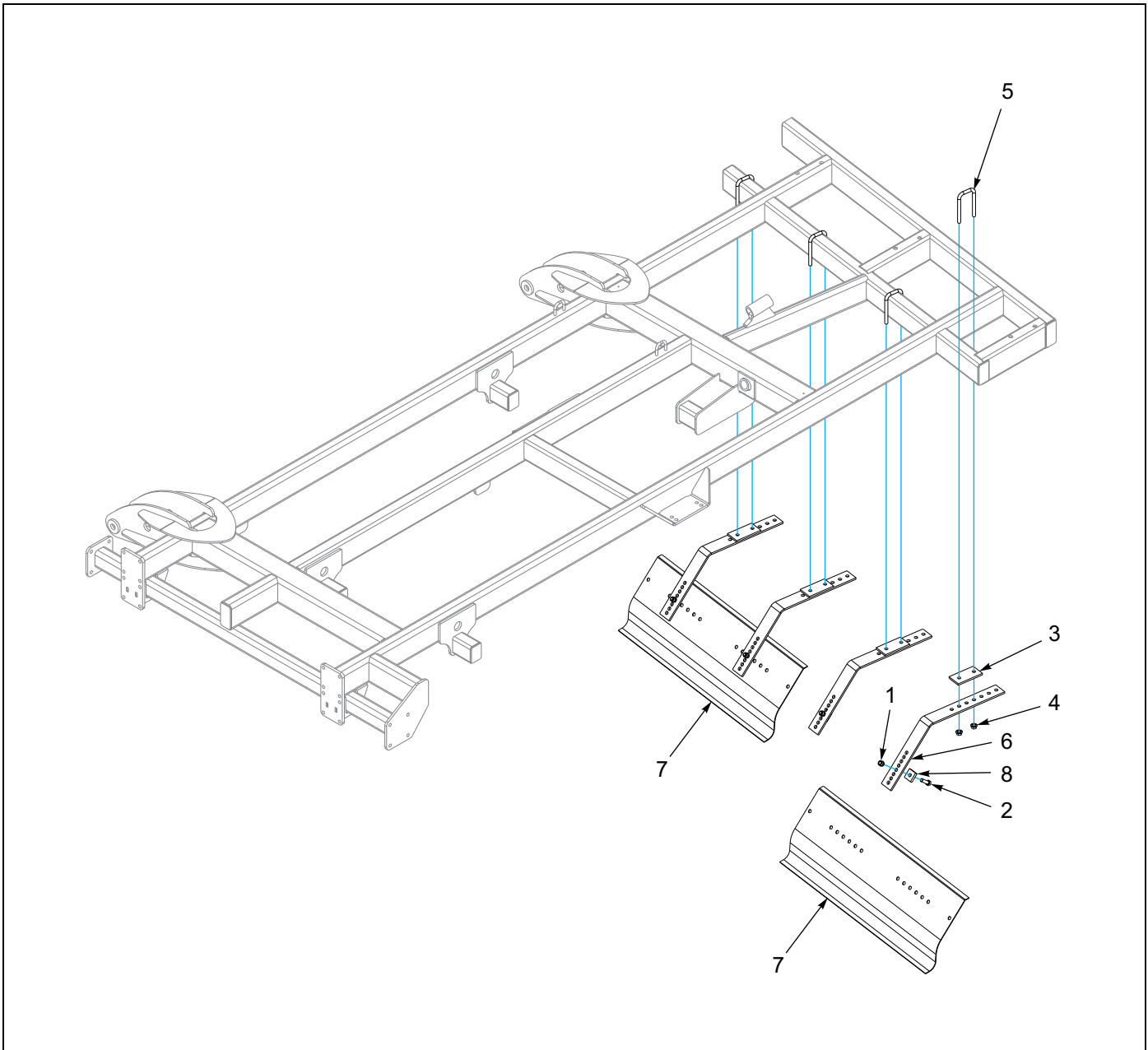


Figure 1-25: Disc Gang Shield - Outer Wing Frame 38'-48'

Disc Gang Shield - Outer Wing Frame 38'-48'

ITEM	PART NO.	DESCRIPTION	QTY.
1	1-512-010005-13	NUT,HEX SLFLKG GRB 5/8-11	16
2	1-654-010059-05	SCREW,HEX CAP,5/8-11UNCX2 GR5	16
3	100693	CLAMP BRKT PAINTED	14
4	29SFFL 5811	NUT, FLANGE, HEAD LOCK, 5/8-11 UNC	28
5	203182	U-BOLT 5/8-11X7X3-11/16	14
6	8-681-010008	ADJ BRACKET SPRAY SHIELD 875	14
7	8-681-010013	SPRAY SHIELD 48 IN 875 (43' & 48')	4
7	8-681-010014	SPRAY SHIELD 69 IN (38')	2
8	8-681-010010	BACKUP PLATE	14

Gang Assemblies

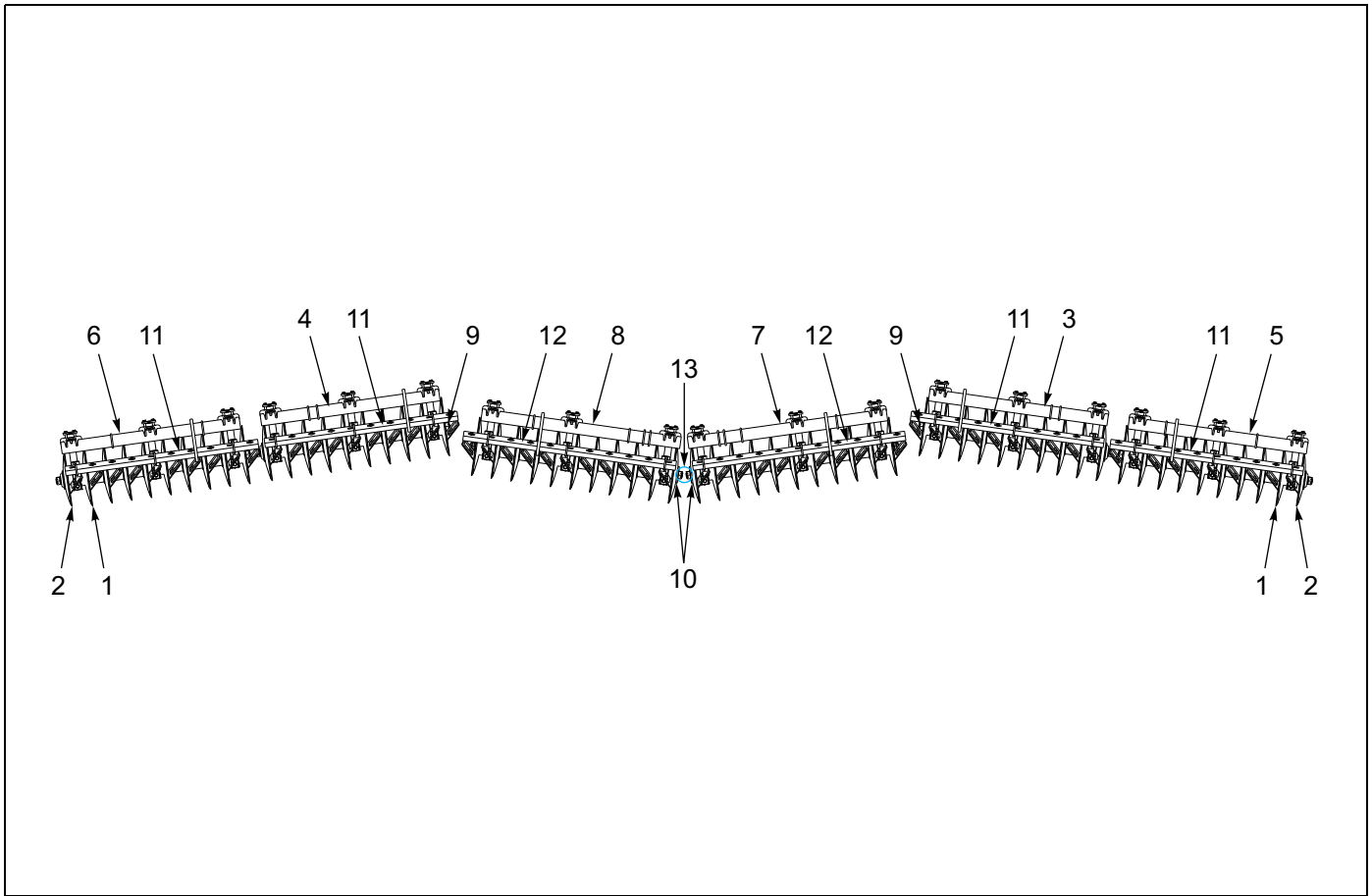


Figure 1-26: Gang Assembly - 38'

Gang Assembly - 38'

ITEM	PART NO.	DESCRIPTION	QTY.	
--	187039	GANG ASSEMBLY, 22" 4GA, 38	*	
--	187040	GANG ASSEMBLY, 22" 4GA, 38, ROLLABLE	*	
1	155617	DISC BLADE 22" X 1/4" 1-3/4 ID	60	--
1	155618	DISC BLADE 22" X 1/4" 1-3/4 ID - ROLLABLE	--	60
2	186100	DISC BLADE 20" X 1/4" 1-3/4 ID	2	--
2	155619	DISC BLADE 20" X 1/4" 1-3/4 ID - ROLLABLE	--	2
3	187050	LIFT, DISC GANG, RIW 38	1	1
4	187051	LIFT, DISC GANG, LIW 38	1	1
5	187052	LIFT, DISC GANG, ROW 38	1	1
6	187053	LIFT, DISC GANG, LOW 38	1	1
7	187155	LIFT, DISC GANG, RCF	1	1
8	187156	LIFT, DISC GANG, LCF	1	1
9	145212	SHAFT, GANG 74"	4	4
10	185724	SHAFT, GANG 80-1/2"	2	2
11	179770	SCRAPER BAR, 7-1/2 SP, 10 HOLE	4	4
12	179771	SCRAPER BAR, 7-1/2 SP, 11 HOLE	2	2
13	182401	END WASHER, DISC GANG WLDMT (CENTER ONLY)	2	2

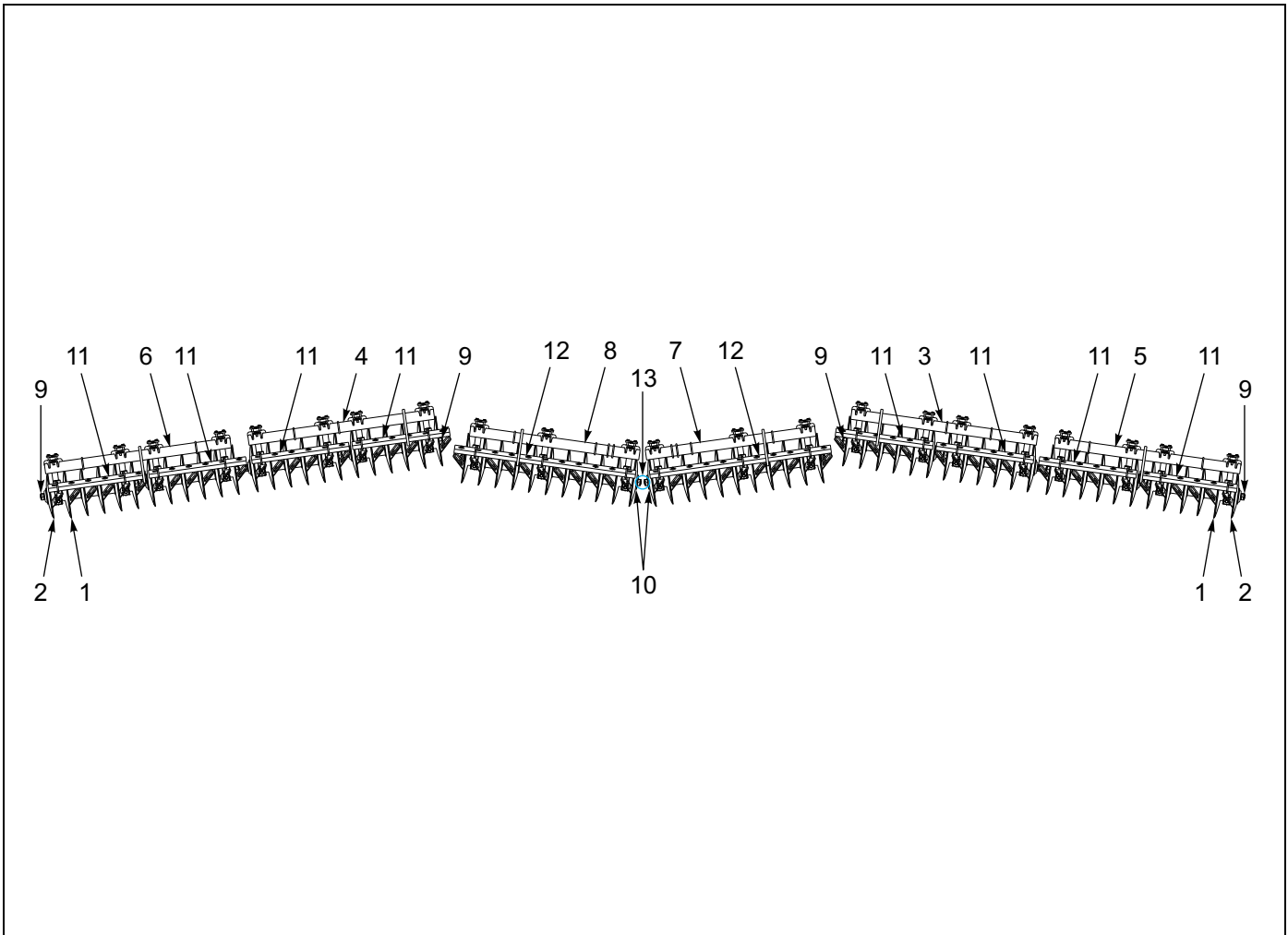


Figure 1-27: Gang Assembly - 43'

Gang Assembly - 43'

ITEM	PART NO.	DESCRIPTION	QTY.	
--	187037	GANG ASSEMBLY, 22" 4GA, 43	*	
--	187038	GANG ASSEMBLY, 22" 4GA, 43 ROLLABLE	*	
1	155617	DISC BLADE 22" X 1/4" 1-3/4 ID	68	--
1	155618	DISC BLADE 22" X 1/4" 1-3/4 ID - ROLLABLE	--	68
2	186100	DISC BLADE 20" X 1/4" 1-3/4 ID	2	--
2	155619	DISC BLADE 20" X 1/4" 1-3/4 ID - ROLLABLE	--	2
3	187054	LIFT, DISC GANG, RIW 43	1	1
4	187055	LIFT, DISC GANG, LIW 43	1	1
5	187056	LIFT, DISC GANG, ROW 43	1	1
6	187057	LIFT, DISC GANG, LOW 43	1	1
7	187155	LIFT, DISC GANG, RCF	1	1
8	187156	LIFT, DISC GANG, LCF	1	1
9	145208	SHAFT, GANG 44"	8	8
10	185724	SHAFT, GANG 80-1/2"	2	2
11	179766	SCRAPER BAR, 7-1/2 SP, 6 HOLE	8	8
12	179771	SCRAPER BAR, 7-1/2 SP, 11 HOLE	2	2
13	182401	END WASHER, DISC GANG WLDMT (CENTER ONLY)	2	2

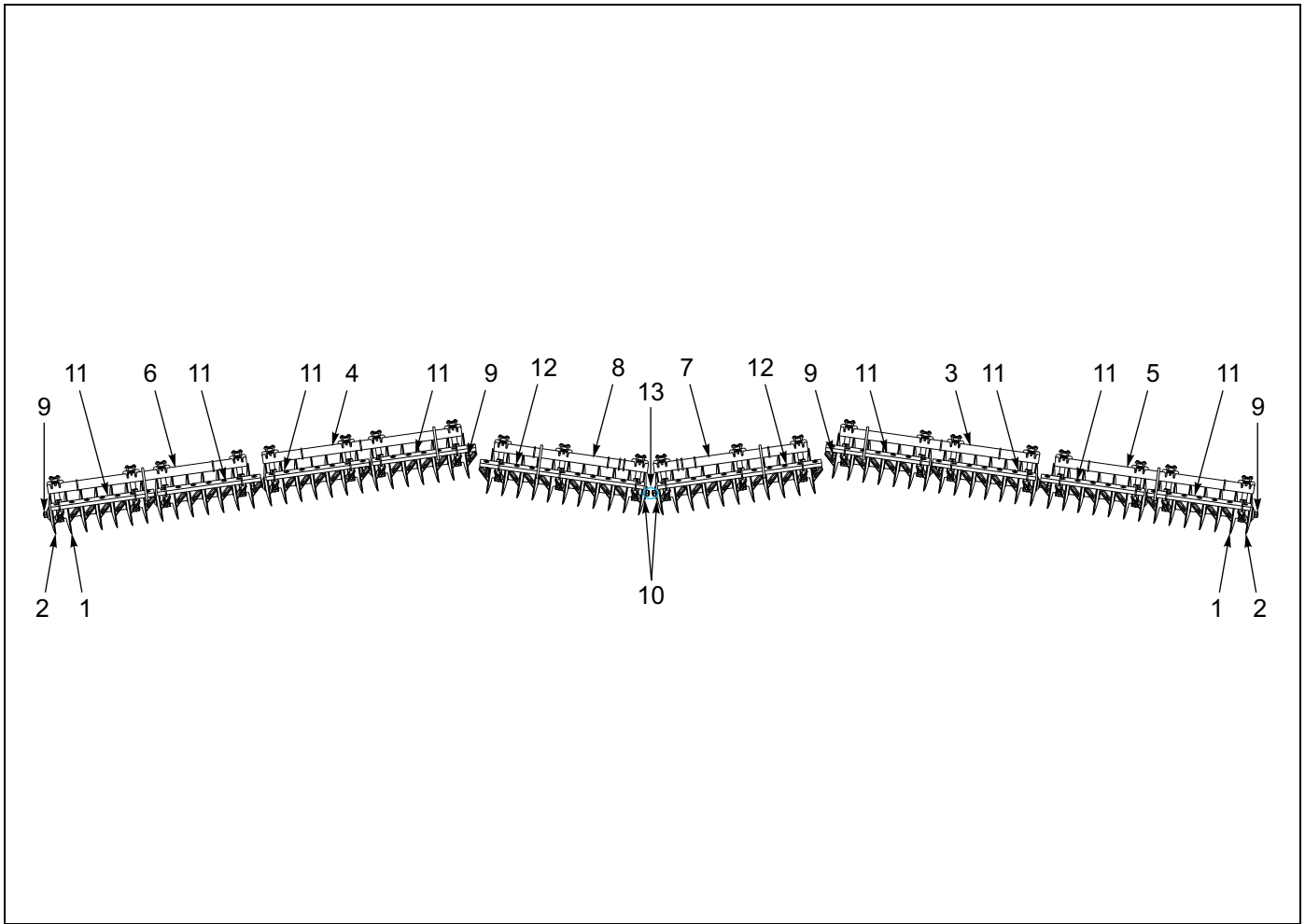


Figure 1-28: Gang Assembly - 48'

Gang Assembly - 48'

ITEM	PART NO.	DESCRIPTION	QTY.	
--	187035	GANG ASSEMBLY, 22" 4GA, 48	*	
--	187036	GANG ASSEMBLY, 22" 4GA, 48, ROLLABLE	*	
1	155617	DISC BLADE 22" X 1/4" 1-3/4 ID	76	--
1	155618	DISC BLADE 22" X 1/4" 1-3/4 ID - ROLLABLE	--	76
2	186100	DISC BLADE 20" X 1/4" 1-3/4 ID	2	--
2	155619	DISC BLADE 20" X 1/4" 1-3/4 ID - ROLLABLE	--	2
3	187058	LIFT, DISC GANG, RIW 48	1	1
4	187059	LIFT, DISC GANG, LIW 48	1	1
5	187060	LIFT, DISC GANG, ROW 48	1	1
6	187061	LIFT, DISC GANG, LOW 48	1	1
7	187155	LIFT, DISC GANG, RCF	1	1
8	187156	LIFT, DISC GANG, LCF	1	1
9	145209	SHAFT, GANG 51-1/2"	8	8
10	185724	SHAFT, GANG 80-1/2"	2	2
11	179767	SCRAPER BAR, 7-1/2 SP, 7 HOLE	8	8
12	179771	SCRAPER BAR, 7-1/2 SP, 11 HOLE	2	2
13	182401	END WASHER, DISC GANG WLDMT (CENTER ONLY)	2	2

5 Row Spike Harrow Assemblies

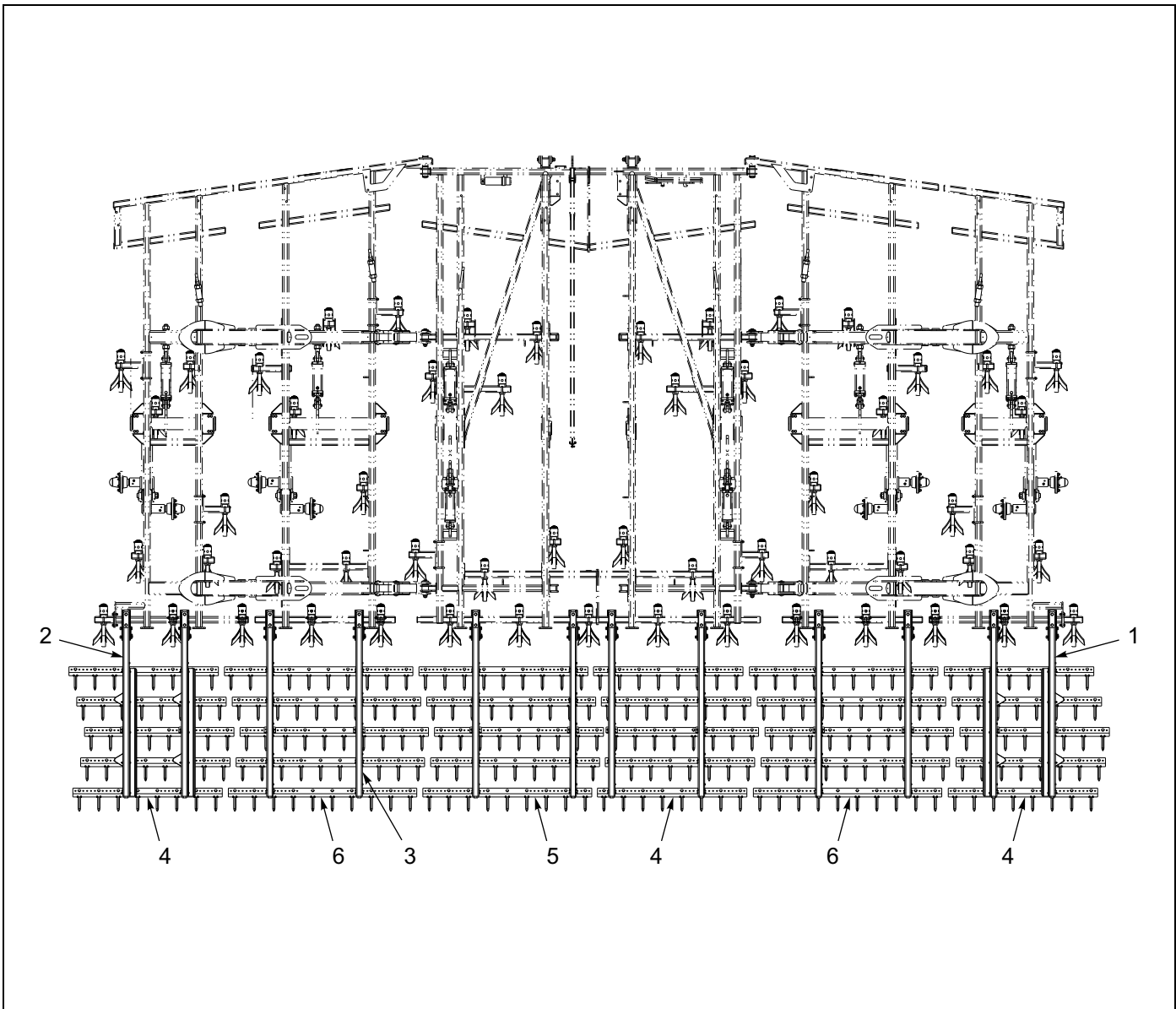


Figure 1-29: 5 Row Spike Harrow - 38'

5 Row Spike Harrow - 38'

ITEM	PART NO.	DESCRIPTION	QTY.
--	188682	5 ROW SPIKE, 8550-38	
1	186162	ARM ASSY, SPIKE RT W TRAY 5R (SEE PAGE 1-49)	2
2	186163	ARM ASSY, SPIKE LT W TRAY 5R	2
3	186195	ARM ASSY, SPIKE HARROW, 5R (SEE PAGE 1-47)	8
4	186187	SPIKE BAR ASSY, 8 TOOTH 9SP (SEE PAGE 1-94)	15
5	186188	SPIKE BAR ASSY, 9 TOOTH 9SP (SEE PAGE 1-94)	5
6	186189	SPIKE BAR ASSY, 10 TOOTH 10SP (SEE PAGE 1-94)	10

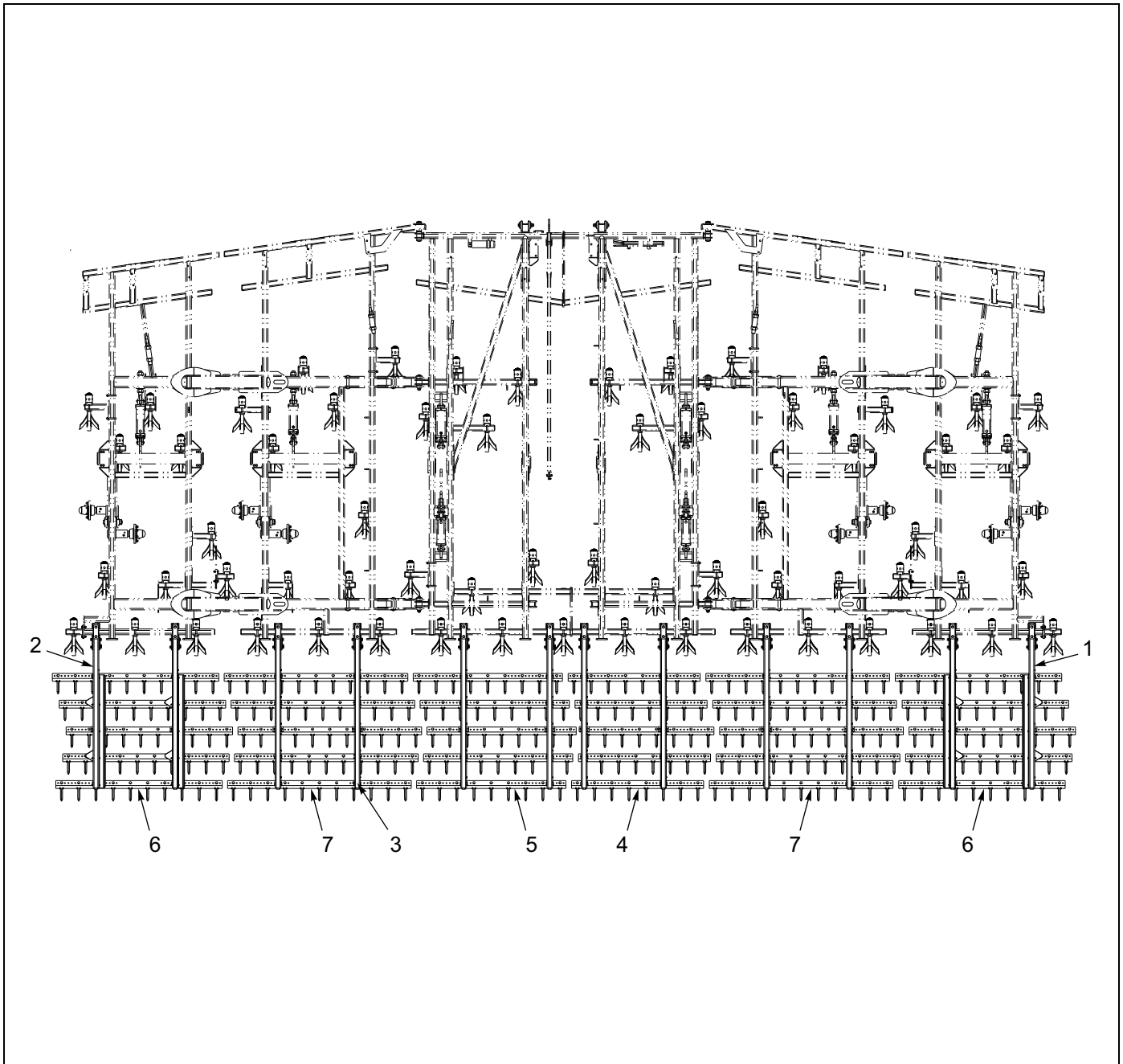


Figure 1-30: 5 Row Spike Harrow - 43'

5 Row Spike Harrow - 43'

ITEM	PART NO.	DESCRIPTION	QTY.
--	188683	5 ROW SPIKE, 8550-43	
1	186162	ARM ASSY, SPIKE RT W TRAY 5R (SEE PAGE 1-49)	2
2	186163	ARM ASSY, SPIKE LT W TRAY 5R	2
3	186195	ARM ASSY, SPIKE HARROW, 5R (SEE PAGE 1-47)	8
4	186187	SPIKE BAR ASSY, 8 TOOTH 9SP (SEE PAGE 1-94)	5
5	186188	SPIKE BAR ASSY, 9 TOOTH 9SP (SEE PAGE 1-94)	5
6	186189	SPIKE BAR ASSY, 10 TOOTH 10SP (SEE PAGE 1-94)	10
7	186190	SPIKE BAR ASSY, 11 TOOTH 9SP (SEE PAGE 1-94)	10

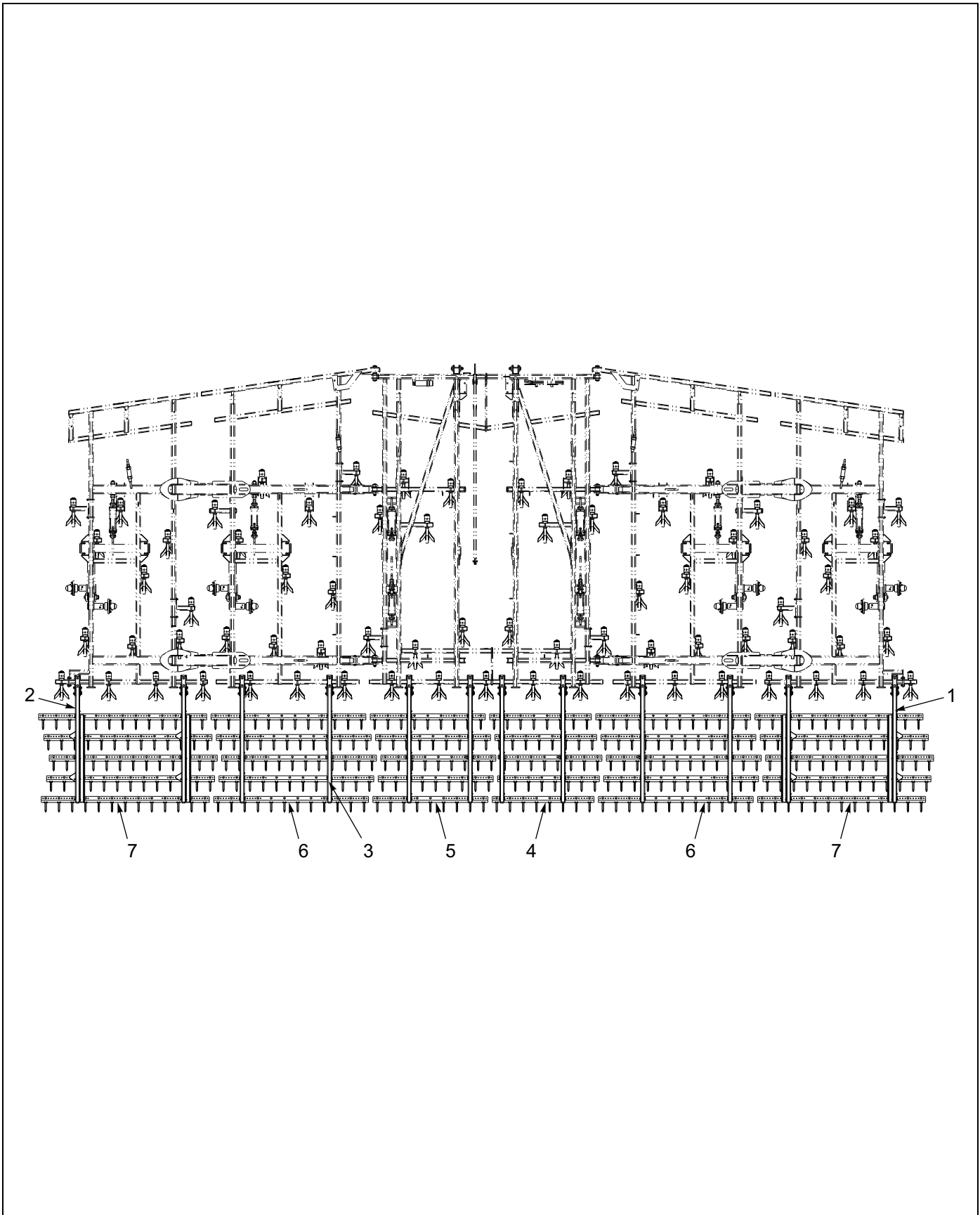


Figure 1-31: 5 Row Spike Harrow - 48'

5 Row Spike Harrow - 48'

ITEM	PART NO.	DESCRIPTION	QTY.
--	188684	5 ROW SPIKE, 8550-48	
1	186162	ARM ASSY, SPIKE RT W TRAY 5R (SEE PAGE 1-49)	2
2	186163	ARM ASSY, SPIKE LT W TRAY 5R	2
3	186195	ARM ASSY, SPIKE HARROW, 5R (SEE PAGE 1-47)	8
4	186187	SPIKE BAR ASSY, 8 TOOTH 9SP (SEE PAGE 1-94)	5
5	186188	SPIKE BAR ASSY, 9 TOOTH 9SP (SEE PAGE 1-94)	5
6	186191	SPIKE BAR ASSY, 12 TOOTH 9SP (SEE PAGE 1-94)	10
7	186192	SPIKE BAR ASSY, 13 TOOTH 9SP (SEE PAGE 1-94)	8

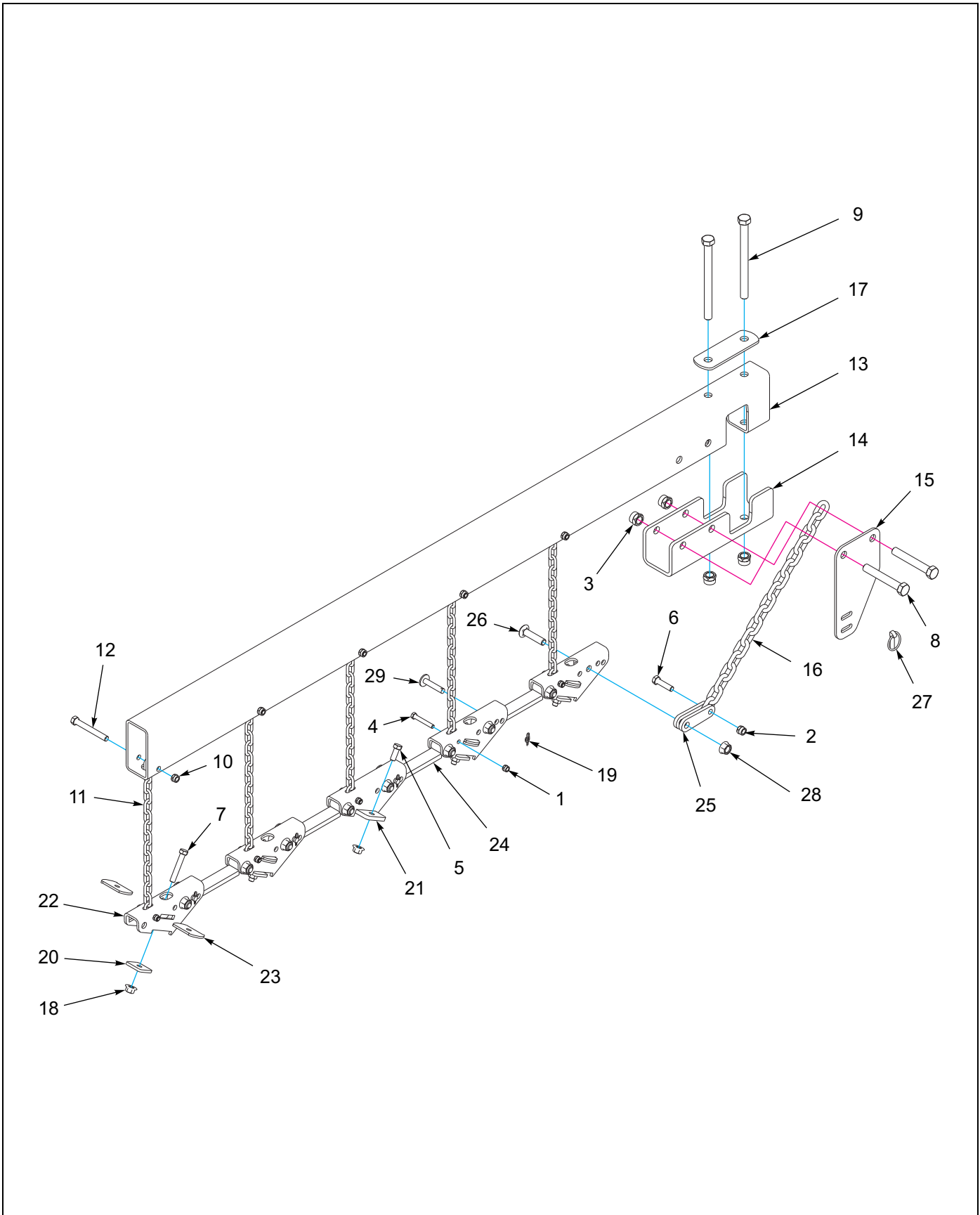


Figure 1-32: 5 Row Spike Harrow Arm Assembly

5 Row Spike Harrow Arm Assembly

ITEM	PART NO.	DESCRIPTION	QTY.
--	186195	ARM ASSEMBLY, SPIKE HARROW 5 ROW	
1	1-512-010005-05	NUT, HEX, SLFLKG, 3/8-16 GRB	5
2	1-512-010005-09	NUT, HEX, SLFLKG, 1/2-13 GRB	1
3	1-512-010005-15	NUT, HEX, SLFLKG, 3/4-10 GRB	4
4	1-654-010051-11	SCREW, HEX CP, 3/8-16 X 2-1/2 G5ZP	5
5	1-654-010055-02	SCREW, 1/2-13 UNC X 1-1/4, CP GR5	2
6	1-654-010055-05	SCREW, HEX CAP, 1/2-13 UNC X 2 GR5	1
7	1-654-010055-09	SCREW, HEX CAP, 1/2-13, UNC X 3 GR5	4
8	1-654-010061-15	SCREW, HEX CAP, 3/4-10, UNC X 5 GR5	2
9	1-654-010061-23	SCREW, HEX, 3/4-10, UNC X 9 GR5	2
10	101988	NUT,HEX, SLF-LKG, 7/16-14 GRB	5
11	133937	CHAIN, LIFTING HARROW, WP	5
12	141808	SCREW, HEX CAP, 7/16-14 UNC X 3-1/2 G5	5
13	166175	ARM SPIKE HARROW, 5 ROW	1
14	166176	CLAMP, SPIKE HARROW ARM	1
15	166177	BRACKET, PULL CHAIN	1
16	166242	CHAIN, PULL, 3/8	1
17	168897	CLAMP PLATE, HARROW ARM	1
18	172509	NUT, 1/2-13 WIDE FLNG TOP LCK F	6
19	172673	WRAP AROUND LOCKING COTTER	4
20	186193	CLAMP PLATE, SPIKE BAR	4
21	186200	MOUNT, HARROW BAR W/TABS	1
22	186204	MOUNT, HARROW BAR	4
23	186205	PLATE, BAR CLAMP	8
24	185697	LINK, HARROW BAR	4
25	186210	CONNECTOR, PULL CHAIN	2
26	187517	SCREW, RDHD SHT SQNK, 5/8-11 X 2.75	9
27	2-557-010009	PIN, LYNCH	1
28	29SFFL 5811	NUT, HEX, SLFLKG, GRB 3/8-16	9
29	8C520	CLEVIS PIN	4

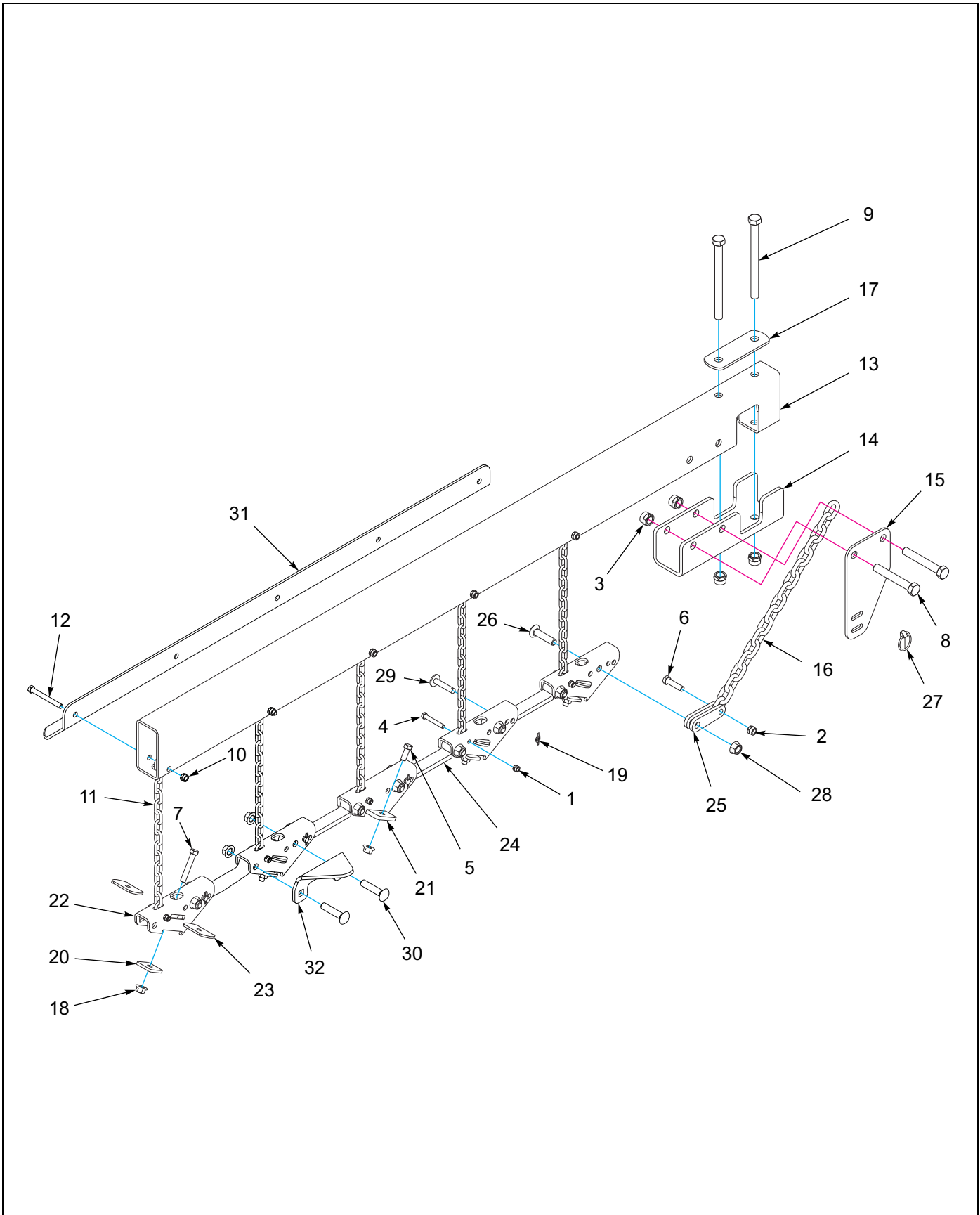


Figure 1-33: 5 Row Spike Harrow Arm Assembly - W/ Tray

5 Row Spike Harrow Arm Assembly - W/ Tray

ITEM	PART NO.	DESCRIPTION	QTY.
--	186162	ARM ASSY, SPIKE RT W/ TRAY	
--	186163	ARM ASSY, SPIKE LT W/ TRAY (NOT SHOWN)	
1	1-512-010005-05	NUT, HEX, SLFLKG, 3/8-16 GRB	5
2	1-512-010005-09	NUT, HEX, SLFLKG, 1/2-13 GRB	1
3	1-512-010005-15	NUT, HEX, SLFLKG, 3/4-10 GRB	4
4	1-654-010051-11	SCREW, HEX CP, 3/8-16 X 2-1/2 G5ZP	5
5	1-654-010055-02	SCREW, 1/2-13 UNC X 1-1/4, CP GR5	2
6	1-654-010055-05	SCREW, HEX CAP, 1/2-13 UNC X 2 GR5	1
7	1-654-010055-09	SCREW, HEX CAP, 1/2-13, UNC X 3 GR5	4
8	1-654-010061-15	SCREW, HEX CAP, 3/4-10, UNC X 5 GR5	2
9	1-654-010061-23	SCREW, HEX, 3/4-10, UNC X 9 GR5	2
10	101988	NUT,HEX, SLF-LKG, 7/16-14 GRB	5
11	133937	CHAIN, LIFTING HARROW, WP	5
12	141808	SCREW, HEX CAP, 7/16-14 UNC X 3-1/2 G5	5
13	166175	ARM SPIKE HARROW, 5 ROW	1
14	166176	CLAMP, SPIKE HARROW ARM	1
15	166177	BRACKET, PULL CHAIN	1
16	166242	CHAIN, PULL, 3/8	1
17	168897	CLAMP PLATE, HARROW ARM	1
18	172509	NUT,1/2-13 WIDE FLNG TOP LCK F	6
19	172673	WRAP AROUND LOCKING COTTER	4
20	186193	CLAMP PLATE, SPIKE BAR	4
21	186200	MOUNT, HARROW BAR W/TABS	1
22	186204	MOUNT, HARROW BAR	4
23	186205	PLATE, BAR CLAMP	8
24	185697	LINK, HARROW BAR	4
25	186210	CONNECTOR, PULL CHAIN	2
26	187517	SCREW, RDHD SHT SQNK, 5/8-11 X 2.75	9
27	2-557-010009	PIN, LYNCH	1
28	29SFFL 5811	NUT, HEX, SLFLKG, GRB 3/8-16	9
29	8C520	CLEVIS PIN	4
30	164861	SCREW, RDH SQ NK, 5/8-11 X 3	4
31	166237	TRAY, CATCH 5 ROW	1
32	186196	HOOK, CATCH TRAY	2

Chopper & 3 Row Spike Assemblies

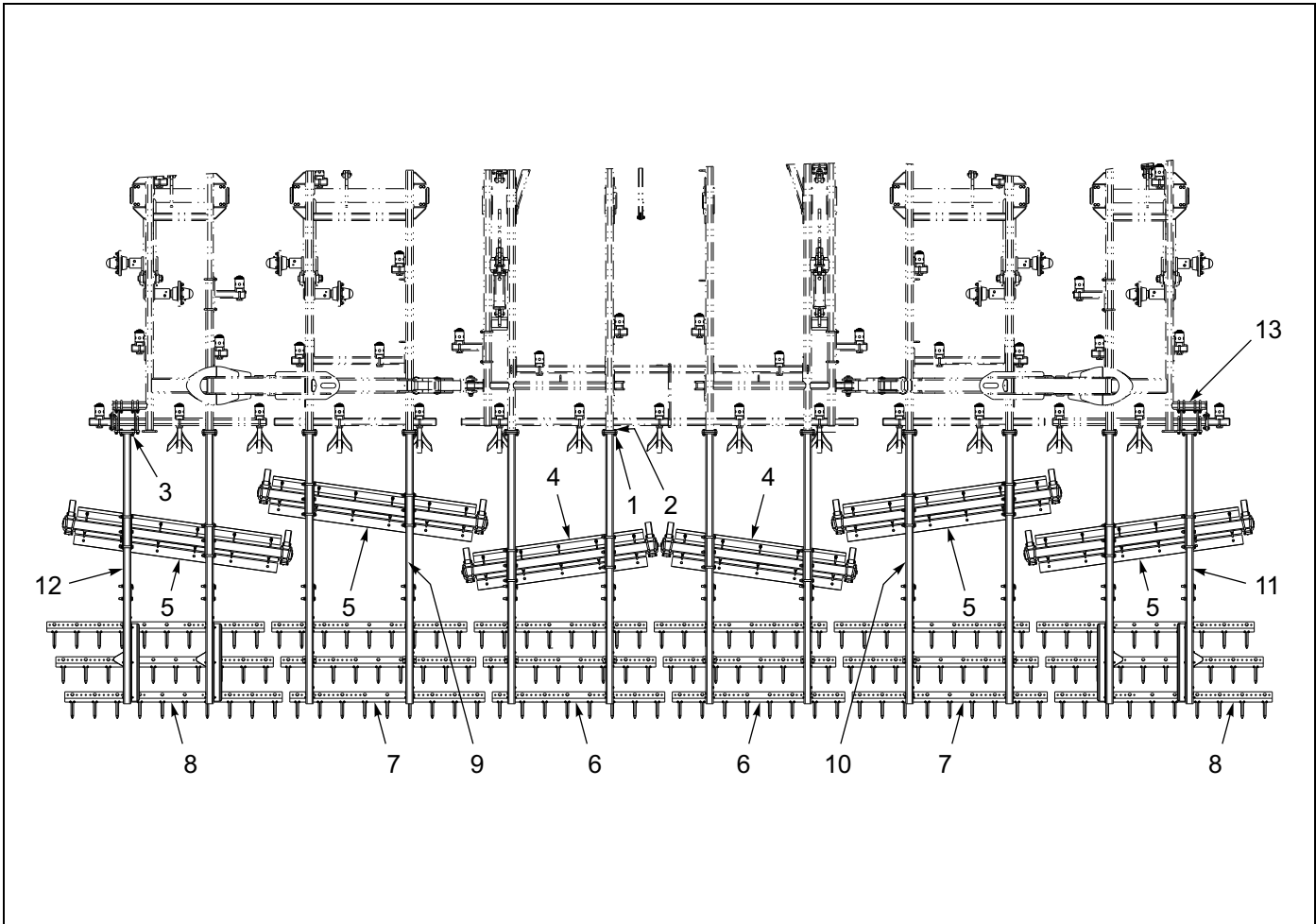


Figure 1-34: Chopper & 3 Row Spike - 38'

Chopper & 3 Row Spike - 38'

ITEM	PART NO.	DESCRIPTION	QTY.
--	188688	CHOPPER & 3 ROW SPIKE, 8550-38	
1	1-512-010005-13	NUT, HEX, SLFLKG, 5/8-11 UNC, GRB	72
2	1-654-010059-05	SCREW, HEX CAP, 5/8-11 UNC X 2 GR5	60
3	1-654-010059-06	SCREW, HEX CAP, 5/8-11 UNC X 2-1/4 GR5	12
4	187511	REEL/GANGBAR ASSY, 68-1/2" (SEE PAGE 1-93)	2
5	154407	REEL/GANGBAR ASSY, 82" (SEE PAGE 1-93)	4
6	186187	SPIKE BAR ASSY, 8 TOOTH, 9SP (SEE PAGE 1-94)	6
7	186188	SPIKE BAR ASSY, 9 TOOTH, 9SP (SEE PAGE 1-94)	6
8	186189	SPIKE BAR ASSY, 10 TOOTH, 10SP (SEE PAGE 1-94)	6
9	187548	ARM ASSY, CHOPPER REEL RT (SEE PAGE 1-55)	4
10	187549	ARM ASSY, CHOPPER REEL LT	4
11	193033	ARM ASSY, CHOPPER REEL RT, W/ TRAY (SEE PAGE 1-57)	2
12	193032	ARM ASSY, CHOPPER REEL LT, W/ TRAY	2
13	193042	EXTENSION, CHOPPER (SEE PAGE 1-53)	2

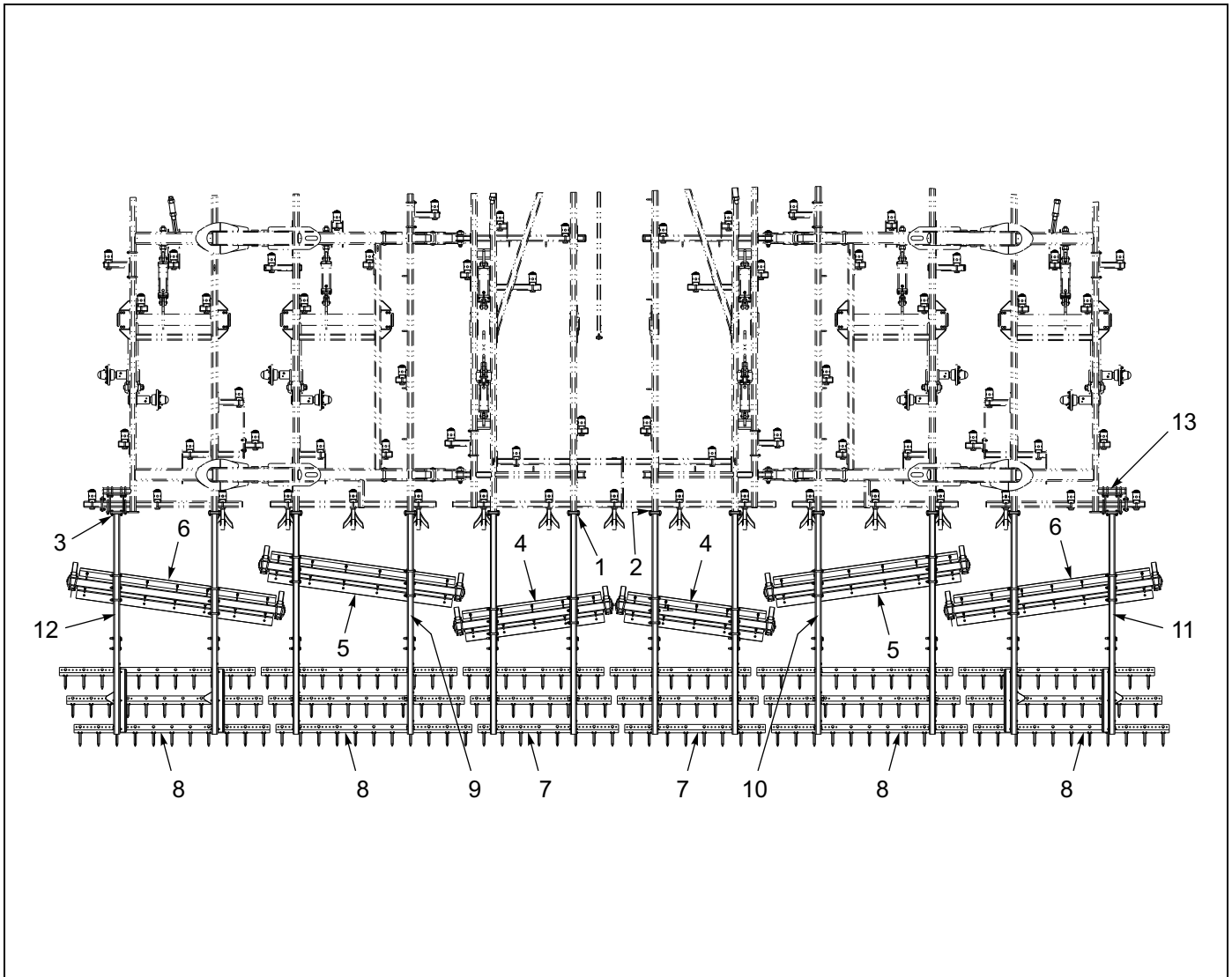


Figure 1-35: Chopper & 3 Row Spike - 43'

Chopper & 3 Row Spike - 43'

ITEM	PART NO.	DESCRIPTION	QTY.
--	188689	CHOPPER & 3 ROW SPIKE, 8550-43	
1	1-512-010005-13	NUT, HEX, SLFLKG, 5/8-11 UNC, GRB	72
2	1-654-010059-05	SCREW, HEX CAP, 5/8-11 UNC X 2 GR5	60
3	1-654-010059-06	SCREW, HEX CAP, 5/8-11 UNC X 2-1/4 GR5	12
4	187511	REEL/GANGBAR ASSY, 68-1/2" (SEE PAGE 1-93)	2
5	154409	REEL/GANGBAR ASSY, 91" (SEE PAGE 1-93)	2
6	172529	REEL/GANGBAR ASSY, 97" (SEE PAGE 1-93)	2
7	186187	SPIKE BAR ASSY, 8 TOOTH, 9SP (SEE PAGE 1-94)	6
8	186190	SPIKE BAR ASSY, 9 TOOTH, 9SP (SEE PAGE 1-94)	12
9	187548	ARM ASSY, CHOPPER REEL RT (SEE PAGE 1-55)	4
10	187549	ARM ASSY, CHOPPER REEL LT	4
11	193033	ARM ASSY, CHOPPER REEL RT, W/ TRAY (SEE PAGE 1-57)	2
12	193032	ARM ASSY, CHOPPER REEL LT, W/ TRAY	2
13	193042	EXTENSION, CHOPPER (SEE PAGE 1-53)	2

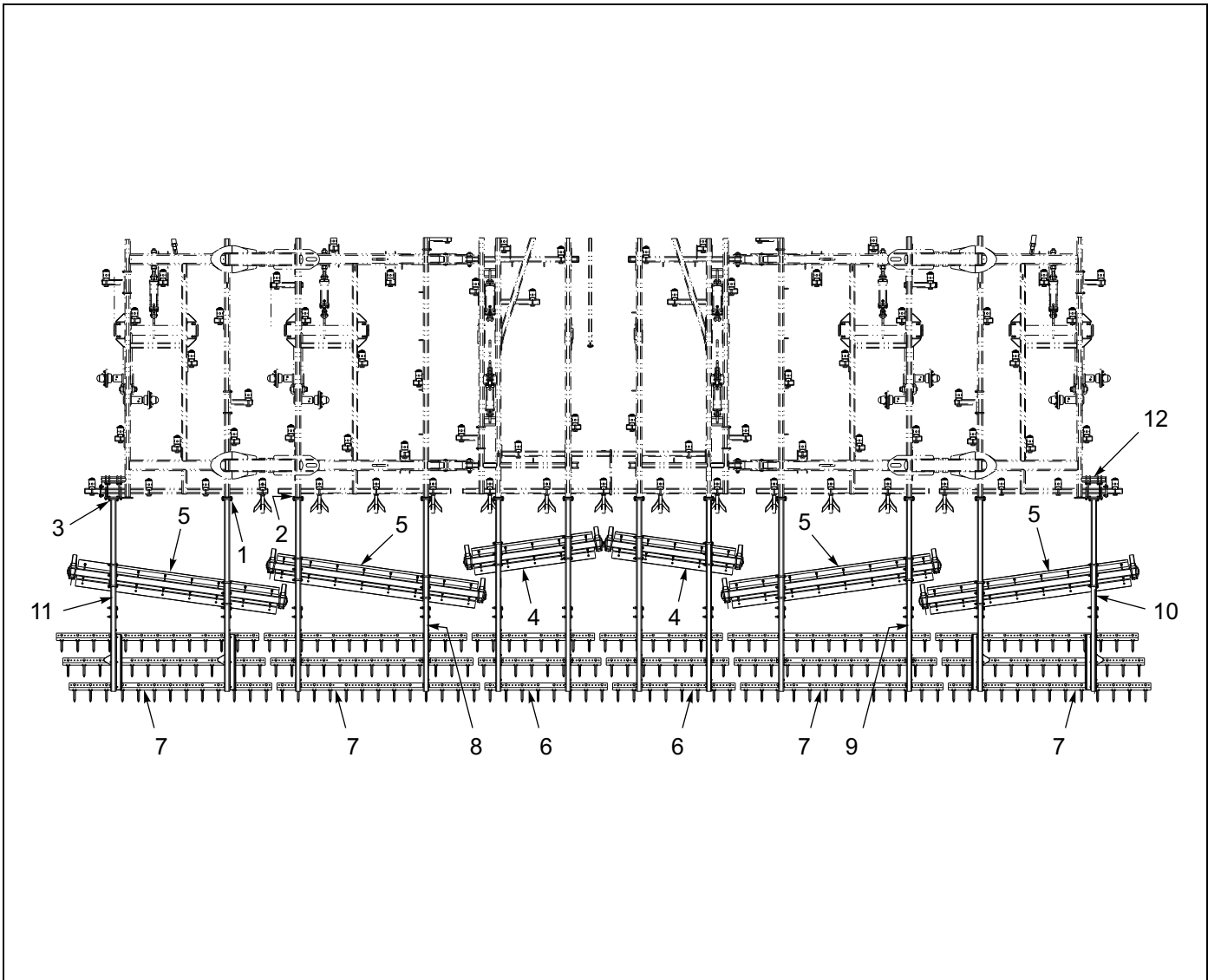


Figure 1-36: Chopper & 3 Row Spike - 48'

Chopper & 3 Row Spike - 48'

ITEM	PART NO.	DESCRIPTION	QTY.
--	188690	CHOPPER & 3 ROW SPIKE, 8550-48	
1	1-512-010005-13	NUT, HEX, SLFLKG, 5/8-11 UNC, GRB	72
2	1-654-010059-05	SCREW, HEX CAP, 5/8-11 UNC X 2 GR5	60
3	1-654-010059-06	SCREW, HEX CAP, 5/8-11 UNC X 2-1/4 GR5	12
4	187511	REEL/GANGBAR ASSY, 68-1/2" (SEE PAGE 1-93)	2
5	154410	REEL/GANGBAR ASSY, 114" (SEE PAGE 1-93)	4
6	186187	SPIKE BAR ASSY, 8 TOOTH, 9SP (SEE PAGE 1-94)	6
7	186192	SPIKE BAR ASSY, 13 TOOTH, 9SP (SEE PAGE 1-94)	12
8	187548	ARM ASSY, CHOPPER REEL RT (SEE PAGE 1-55)	4
9	187549	ARM ASSY, CHOPPER REEL LT	4
10	193033	ARM ASSY, CHOPPER REEL RT, W/ TRAY (SEE PAGE 1-57)	2
11	193032	ARM ASSY, CHOPPER REEL LT, W/ TRAY	2
12	193042	EXTENSION, CHOPPER (SEE PAGE 1-53)	2

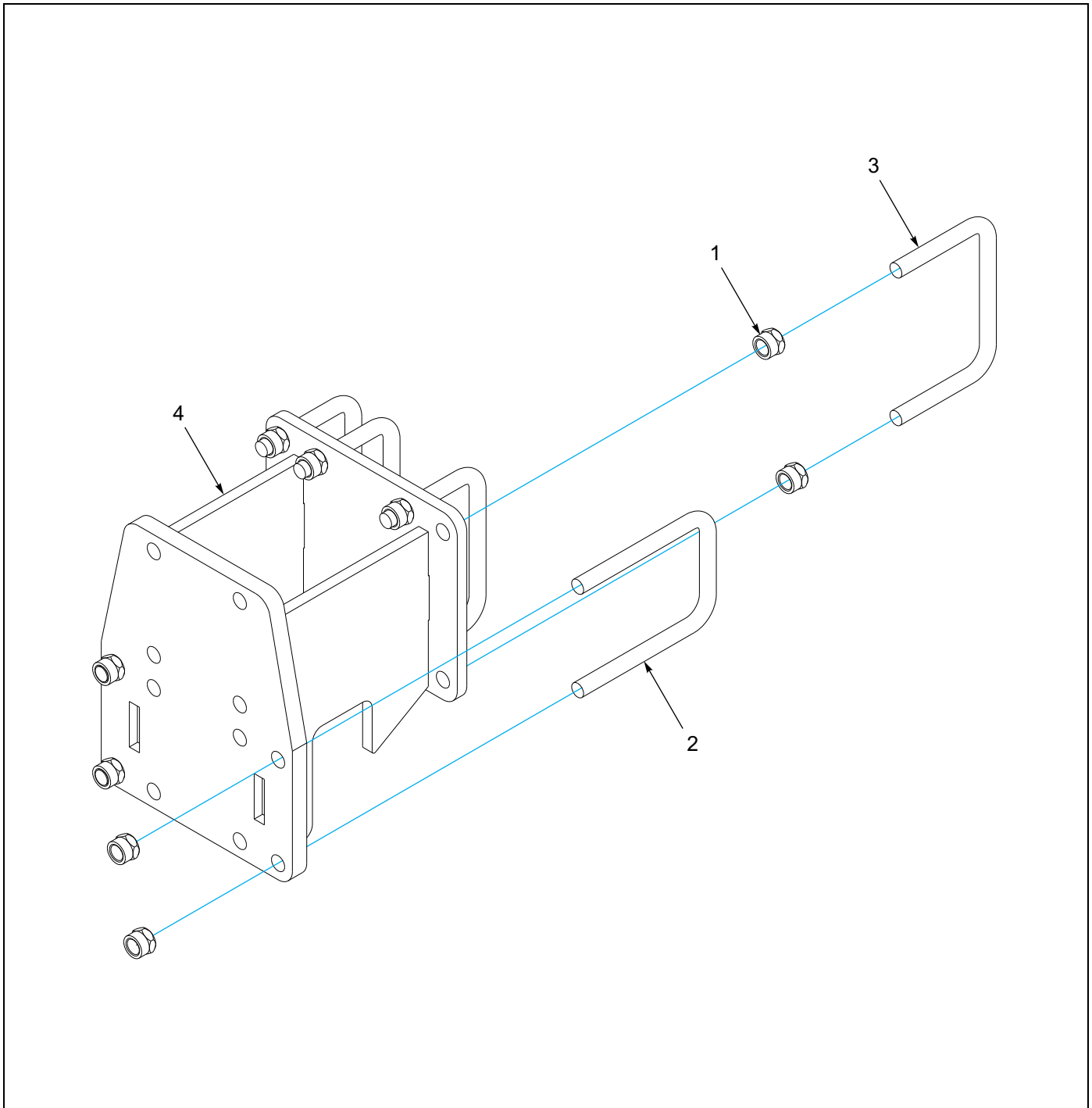


Figure 1-37: Chopper Extension Assembly

Chopper Extension Assembly

ITEM	PART NO.	DESCRIPTION	QTY.
	193042	EXTENSION, CHOPPER	
1	1-512-010005-13	NUT, HEX, SLFLKG GRB 3/8-16	12
2	141228	NUT, HEX, SLFLKG GRB 3/4-10	2
3	189433	NUT, 1-8 HEX, SLF-LOCKING GRB	4
4	193037	SCREW, HEX CP, 3/8-16 X 2-1/2 G5ZP	1

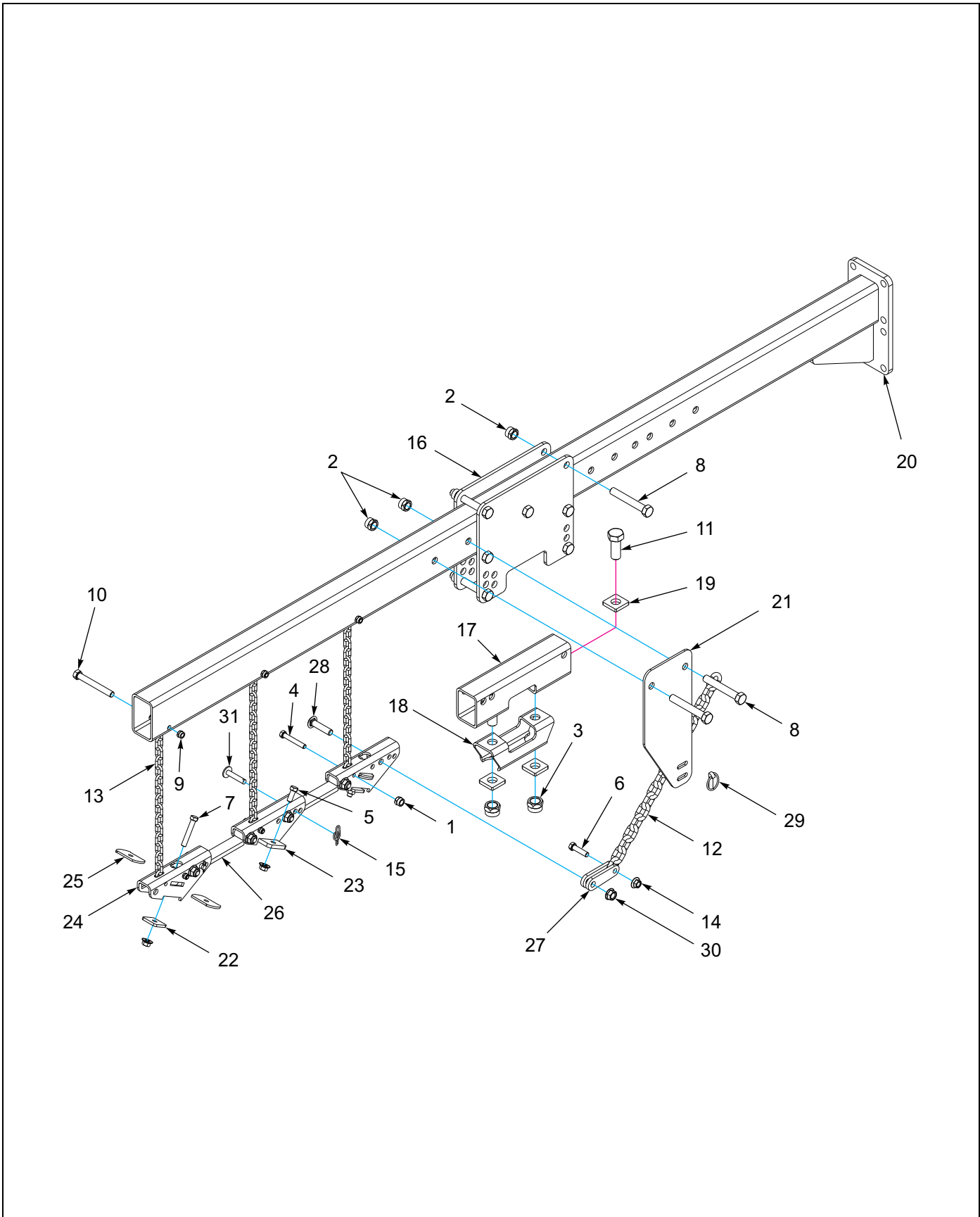


Figure 1-38: Chopper Reel Arm Assembly

Chopper Reel Arm Assembly

ITEM	PART NO.	DESCRIPTION	QTY.
--	187548	ARM ASSEMBLY, CHOPPER REEL RT	
--	187549	ARM ASSEMBLY, CHOPPER REEL LT (NOT SHOWN)	
1	1-512-010005-05	NUT, HEX, SLFLKG GRB 3/8-16	3
2	1-512-010005-15	NUT, HEX, SLFLKG GRB 3/4-10	9
3	1-512-010005-19	NUT, 1-8 HEX, SLF-LOCKING GRB	2
4	1-654-010051-11	SCREW, HEX CP, 3/8-16 X 2-1/2 G5ZP	3
5	1-654-010055-02	SCREW, 1/2-13 UNC X 1-1/4, CP GR5	2
6	1-654-010055-05	SCREW, HEX CAP, 1/2-13 UNC X 2 GR5	1
7	1-654-010055-09	SCREW, HEX CAP, 1/2-13, UNC X 3 GR5	2
8	1-654-010061-15	SCREW, HEX CAP, 3/4-10, UNC X 5 GR5	9
9	101988	NUT,HEX, SLF-LKG, 7/16-14 GRB	3
10	141808	SCREW, HEX CAP, 7/16-14 UNC X 3-1/2G5	3
11	151528	SCREW, HEX CAP, 1-8 UNC X 2-1/2 GR5	2
12	166242	CHAIN, PULL, 3/8	1
13	168764	CHAIN 17 LINK, 1/4	3
14	172509	NUT,1/2-13 WIDE FLNG TOP LCK F	5
15	172673	WRAP AROUND LOCKING COTTER	2
16	179839	CLAMP PLATE, REEL MOUNT	2
17	179840	MOUNT, REEL RIGHT	1
18	179842	MOUNT, REEL CLAMP RIGHT	1
19	179844	WASHER, 1 SQ	4
20	179846	HARROW ARM, CHOPPER REEL	1
21	179848	BRACKET, PULL CHAIN	1
22	186193	CLAMP PLATE, SPIKE BAR	2
23	186200	MOUNT, HARROW BAR W/TABS	1
24	186204	MOUNT, HARROW BAR	2
25	186205	PLATE, BAR CLAMP	4
26	186207	LINK, HARROW BAR	2
27	186210	CONNECTOR, PULL CHAIN	2
28	187517	SCREW, RDHD SHT SQNK, 5/8-11 X 2.75	5
29	2-557-010009	PIN, LYNCH	1
30	29SFFL 5811	NUT, HEX, SLFLKG, GRB 3/8-16	5
31	8C520	CLEVIS PIN	2

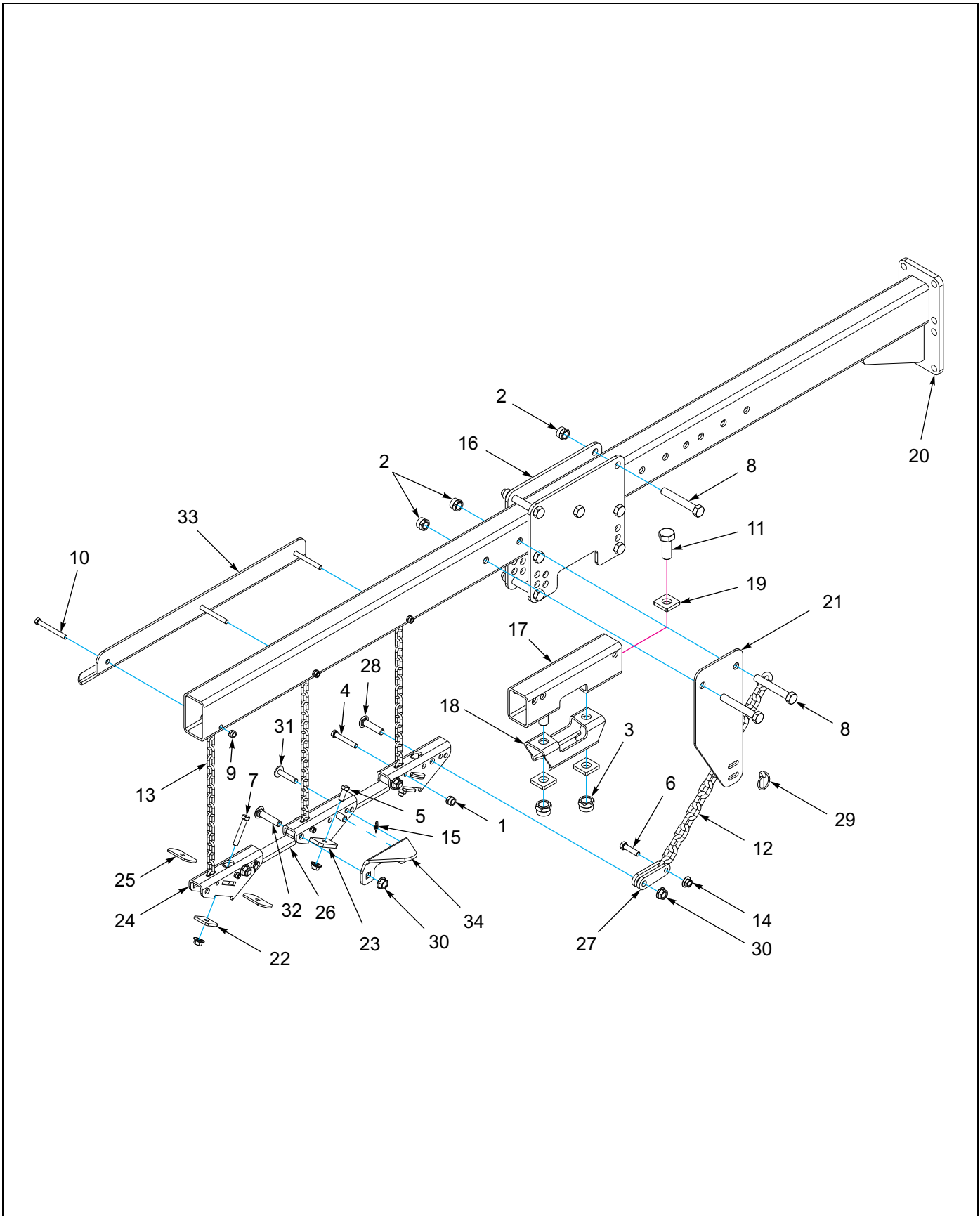


Figure 1-39: Chopper Reel Arm Assembly - W/ Tray

Chopper Reel Arm Assembly - W/ Tray

ITEM	PART NO.	DESCRIPTION	QTY.
--	193033	ARM ASSEMBLY, CHOPPER REEL RT - WITH TRAY	
--	193032	ARM ASSEMBLY, CHOPPER REEL LT - WITH TRAY (NOT SHOWN)	
1	1-512-010005-05	NUT, HEX, SLFLKG GRB 3/8-16	3
2	1-512-010005-15	NUT, HEX, SLFLKG GRB 3/4-10	9
3	1-512-010005-19	NUT, 1-8 HEX, SLF-LOCKING GRB	2
4	1-654-010051-11	SCREW, HEX CP, 3/8-16 X 2-1/2 G5ZP	3
5	1-654-010055-02	SCREW, 1/2-13 UNC X 1-1/4, CP GR5	2
6	1-654-010055-05	SCREW, HEX CAP, 1/2-13 UNC X 2 GR5	1
7	1-654-010055-09	SCREW, HEX CAP, 1/2-13, UNC X 3 GR5	2
8	1-654-010061-15	SCREW, HEX CAP, 3/4-10, UNC X 5 GR5	9
9	101988	NUT,HEX, SLF-LKG, 7/16-14 GRB	3
10	141809	SCREW, HHC, 7/16-14 UNC X 4 G5	3
11	151528	SCREW, HEX CAP, 1-8 UNC X 2-1/2 GR5	2
12	166242	CHAIN, PULL, 3/8	1
13	168764	CHAIN 17 LINK, 1/4	3
14	172509	NUT,1/2-13 WIDE FLNG TOP LCK F	5
15	172673	WRAP AROUND LOCKING COTTER	2
16	179839	CLAMP PLATE, REEL MOUNT	2
17	179841	MOUNT, REEL LEFT	1
18	179843	MOUNT, REEL CLAMP LEFT	1
19	179844	WASHER, 1 SQ	4
20	179846	HARROW ARM, CHOPPER REEL	1
21	179848	BRACKET, PULL CHAIN	1
22	186193	CLAMP PLATE, SPIKE BAR	2
23	186200	MOUNT, HARROW BAR W/TABS	1
24	186204	MOUNT, HARROW BAR	2
25	186205	PLATE, BAR CLAMP	4
26	185697	LINK, HARROW BAR	2
27	186210	CONNECTOR, PULL CHAIN	2
28	187517	SCREW, RDHD SHT SQNK, 5/8-11 X 2.75	5
29	2-557-010009	PIN, LYNCH	1
30	29SFFL 5811	NUT, HEX, SLFLKG, GRB 3/8-16	5
31	8C520	CLEVIS PIN	2
32	164861	SCREW, RDH SQ NK, 5/8-11 X 3	2
33	168751	TRAY, CATCH 3 ROW	1
34	186196	HOOK, CATCH TRAY	1

Spike & Double Reel Assemblies

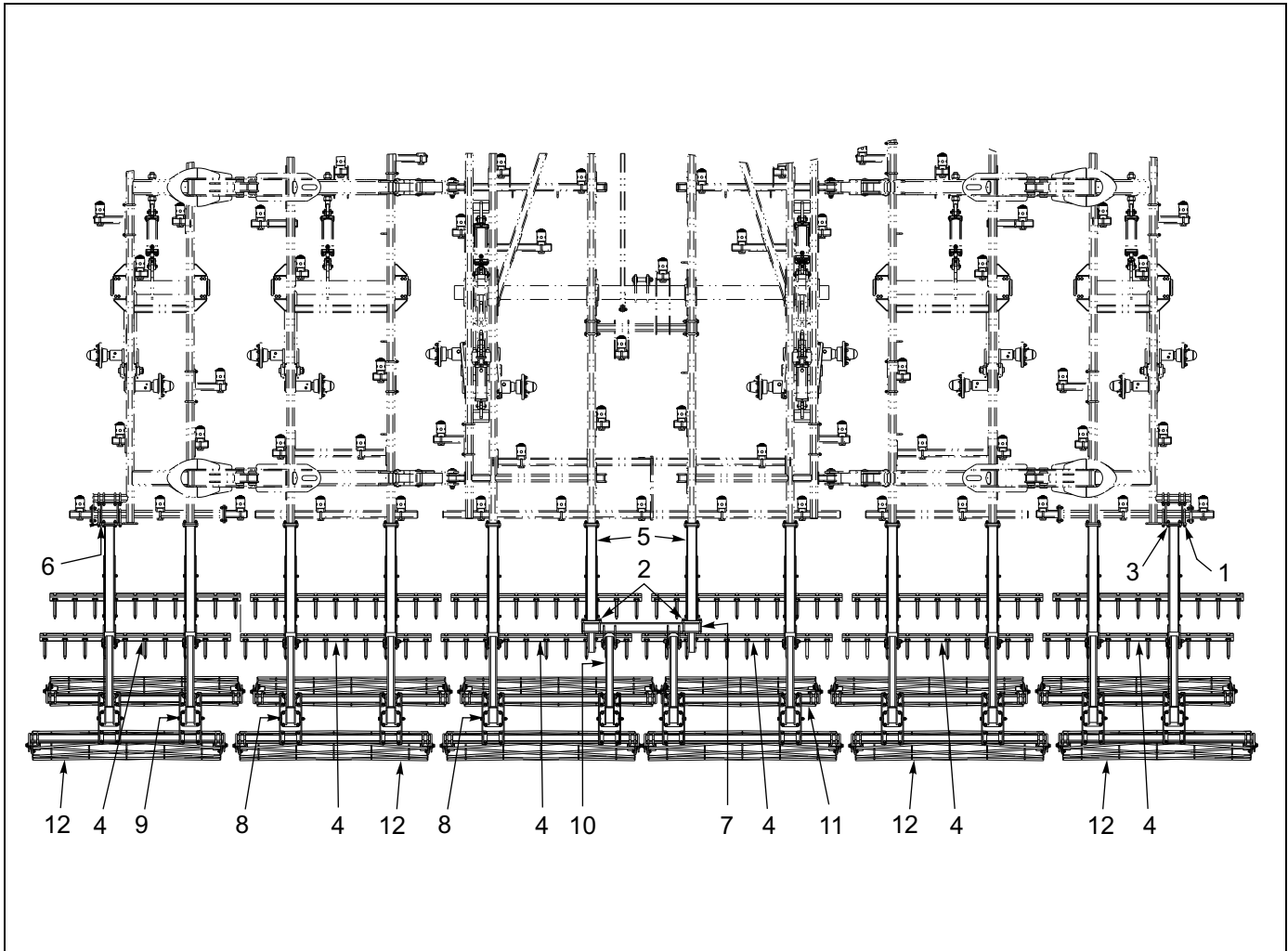


Figure 1-40: Spike & Double Reel - 38'

Spike & Double Reel - 38'

ITEM	PART NO.	DESCRIPTION	QTY.
--	188685	SPIKE/DOUBLE REEL ASSY 8550-38	
1	1-512-010005-13	NUT,HEX SLFLKG GRB 5/8-11	72
2	1-512-010005-15	NUT,HEX,SLFLKG GRB 3/4-10	8
3	112120	SCREW, HX CP 5/8-11X2.25 GR8	72
4	189417	SPIKE BAR ASSY, 10 TOOTH (SEE PAGE 1-95)	12
5	193026	HARROW ARM ASSY (SEE PAGE 1-65)	2
6	193042	EXTENSION, CHOPPER (SEE PAGE 1-53)	2
7	2-102-010032	U BOLT CENTER SHANK MT.	4
8	200240	HARROW ARM ASSY DOUBLE REEL (SEE PAGE 1-63)	6
9	200241	HARROW ARM ASSY W/STOP DBL RL (SEE PAGE 1-63)	4
10	200242	DOUBLE REEL ASSY CENTER (SEE PAGE 1-67)	1
11	200253	REEL ASSY 12 DIA X 60" (SEE PAGE 1-91)	1
12	200254	REEL ASSY 12 DIA X 75" (SEE PAGE 1-91)	11

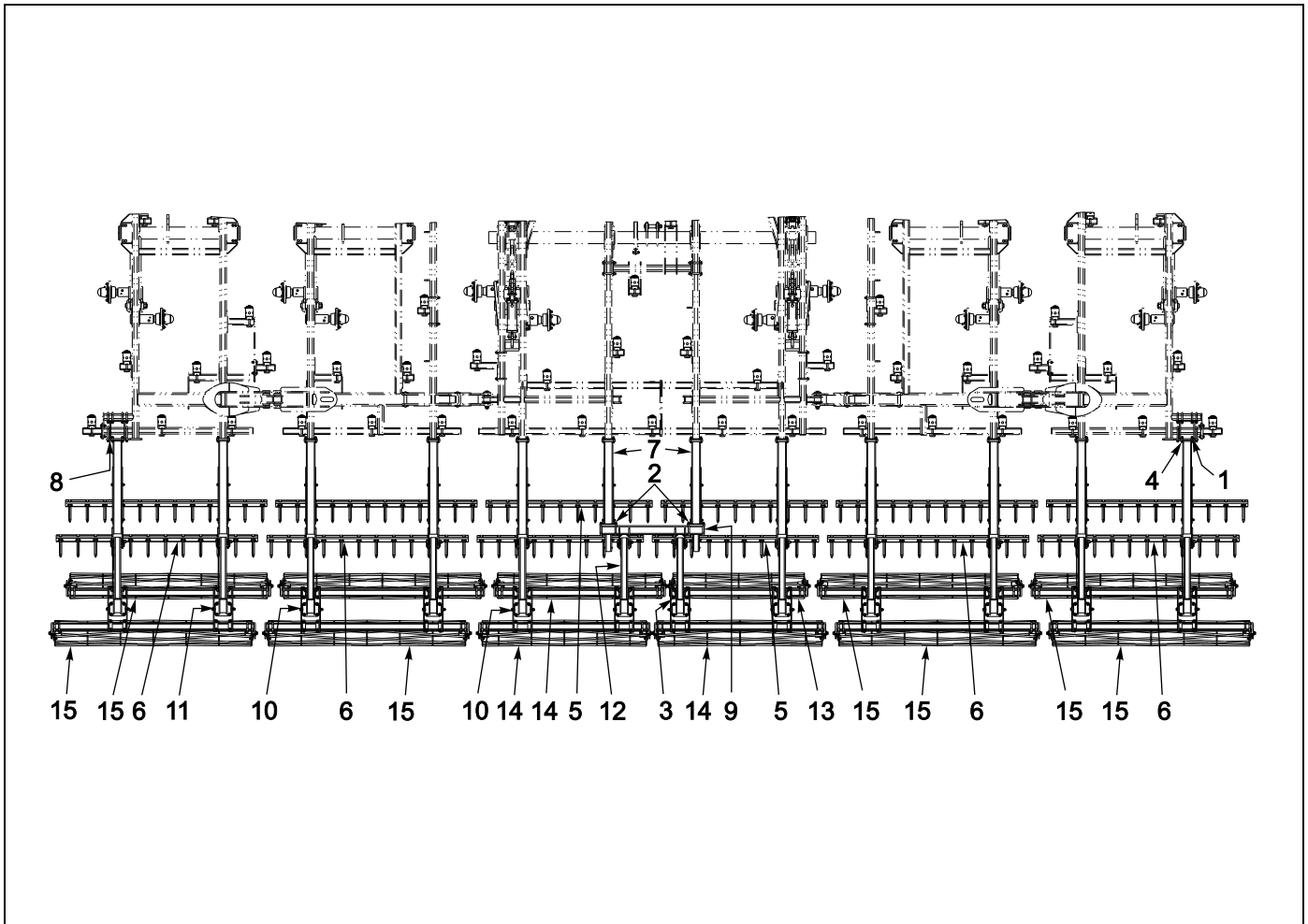


Figure 1-41: Spike & Double Reel - 43'

Spike & Double Reel - 43'

ITEM	PART NO.	DESCRIPTION	QTY.
--	188686	SPIKE/DOUBLE REEL ASSY 8550-43	
1	1-512-010005-13	NUT,HEX SLFLKG GRB 5/8-11	72
2	1-512-010005-15	NUT,HEX,SLFLKG GRB 3/4-10	8
3	1-654-010059-15	SCREW,HEX CAP,5/8-11UNCX5 GR5	2
4	112120	SCREW, HX CP 5/8-11X2.25 GR8	72
5	189417	SPIKE BAR ASSY, 10 TOOTH (SEE PAGE 1-95)	4
6	189419	SPIKE BAR ASSY, 12 TOOTH (SEE PAGE 1-95)	8
7	193026	HARROW ARM ASSY (SEE PAGE 1-65)	2
8	193042	EXTENSION, CHOPPER (SEE PAGE 1-53)	2
9	2-102-010032	U BOLT CENTER SHANK MT.	4
10	200240	HARROW ARM ASSY DOUBLE REEL (SEE PAGE 1-63)	6
11	200241	HARROW ARM ASSY W/STOP DBL RL (SEE PAGE 1-63)	4
12	200242	DOUBLE REEL ASSY CENTER (SEE PAGE 1-67)	1
13	200253	REEL ASSY 12 DIA X 60" (SEE PAGE 1-91)	1
14	200254	REEL ASSY 12 DIA X 75" (SEE PAGE 1-91)	3
15	200255	REEL ASSY 12 DIA X 90" (SEE PAGE 1-91)	8

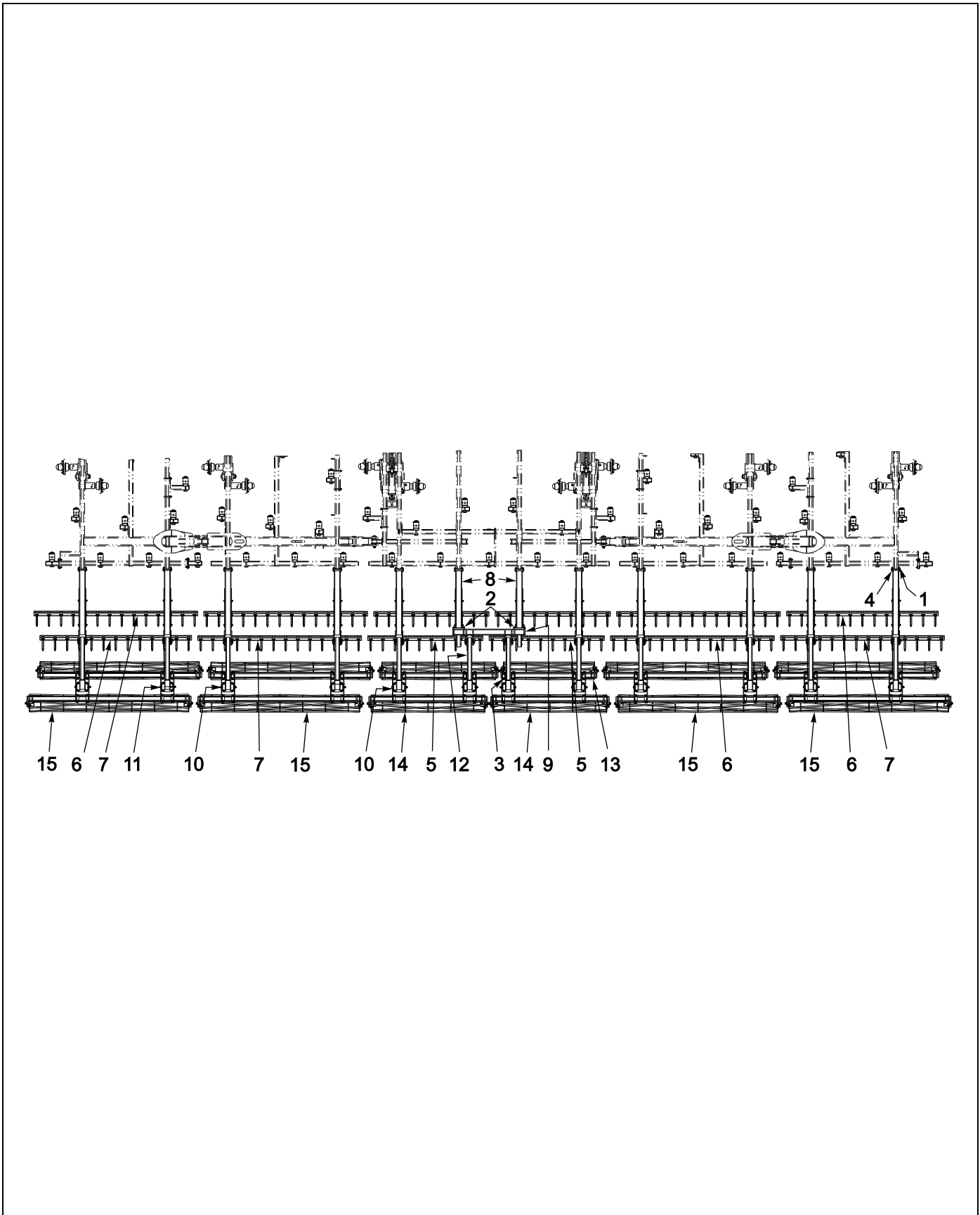


Figure 1-42: Spike & Double Reel - 48'

Spike & Double Reel - 48'

ITEM	PART NO.	DESCRIPTION	QTY.
--	188687	SPIKE & DOUBLE REEL 8550-48	
1	1-512-010005-13	NUT,HEX SLFLKG GRB 5/8-11	72
2	1-512-010005-15	NUT,HEX,SLFLKG GRB 3/4-10	8
3	1-654-010059-15	SCREW,HEX CAP,5/8-11UNCX5 GR5	2
4	112120	SCREW, HX CP 5/8-11X2.25 GR8	72
5	189417	SPIKE BAR ASSY, 10 TOOTH (SEE PAGE 1-95)	4
6	189420	SPIKE BAR ASSY, 13 TOOTH (SEE PAGE 1-95)	2
7	189421	SPIKE BAR ASSY, 14 TOOTH (SEE PAGE 1-95)	6
8	193026	HARROW ARM ASSY (SEE PAGE 1-65)	2
9	2-102-010032	U BOLT CENTER SHANK MT.	4
10	200240	HARROW ARM ASSY DOUBLE REEL (SEE PAGE 1-63)	6
11	200241	HARROW ARM ASSY W/STOP DBL RL (SEE PAGE 1-63)	4
12	200242	DOUBLE REEL ASSY CENTER (SEE PAGE 1-67)	1
13	200253	REEL ASSY 12 DIA X 60" (SEE PAGE 1-91)	1
14	200254	REEL ASSY 12 DIA X 75" (SEE PAGE 1-91)	3
15	200256	REEL ASSY 12 DIA X 105" (SEE PAGE 1-91)	8

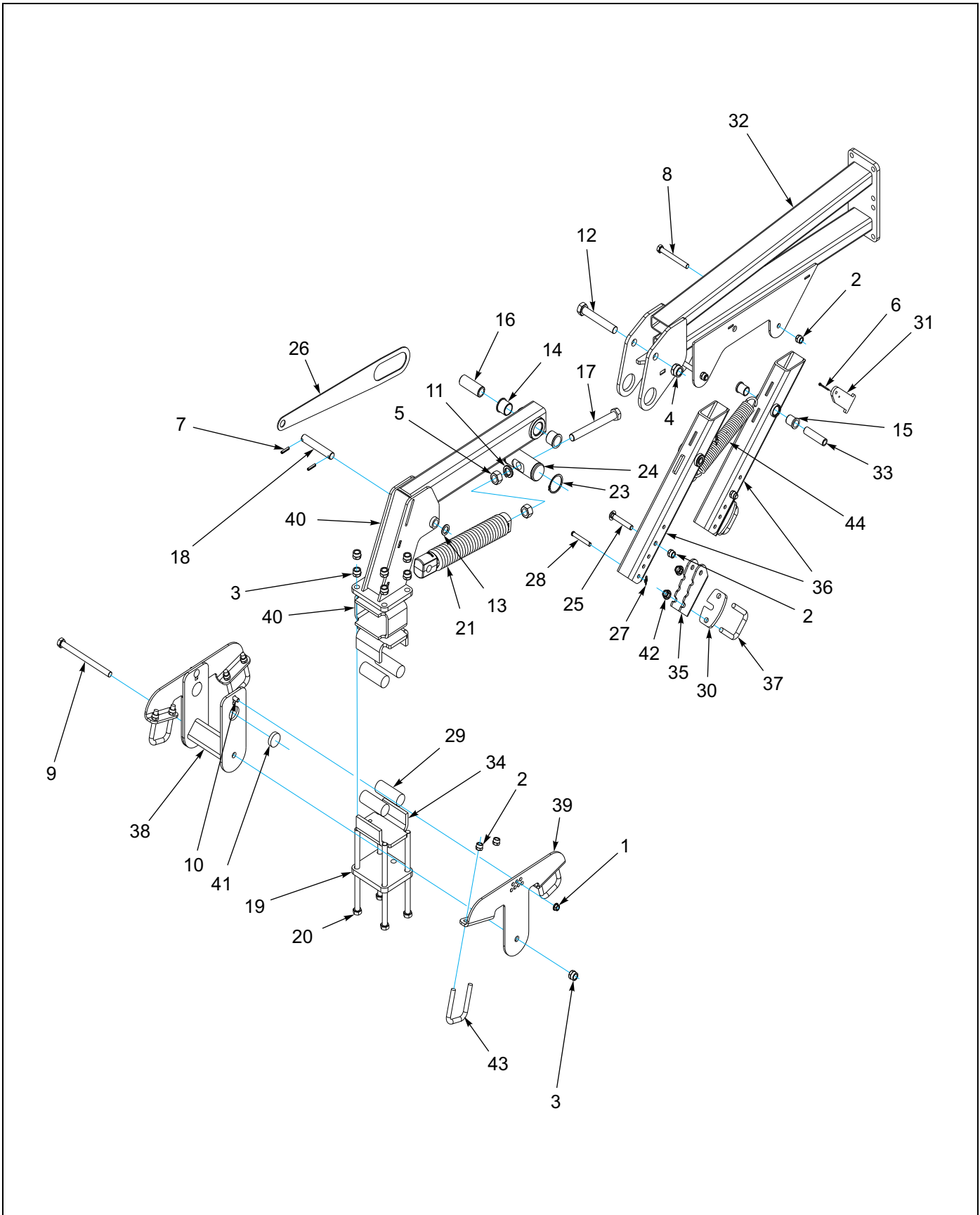


Figure 1-43: Harrow Arm Assembly - Double Reel

Harrow Arm Assembly - Double Reel

ITEM	PART NO.	DESCRIPTION	QTY.
--	200240	HARROW ARM ASSY DOUBLE REEL	
--	200241	HARROW ARM ASSY W/STOP DBL RL	
1	1-510-010003-09	NUT,1/2-13 FLANGE HD,SERRATED	2
2	1-512-010005-13	NUT,HEX SLFLKG GRB 5/8-11	12
3	1-512-010005-15	NUT,HEX,SLFLKG GRB 3/4-10	9
4	1-512-010005-19	NUT 1-8 HEX SLF-LOCKING GRB	1
5	1-512-010007-14	NUT, HEX 1-8 GR2 ZP	2
6	1-557-010362-51	PIN, COTTER 3/16X1-1/2	2
7	1-647-010004236	SPRING PIN,SLOTTED 5/16X1-1/2	2
8	1-654-010059-16	SCREW,HEX CAP,5/8-11UNCX5.50	2
9	1-654-010061-25	SCREW,HX CP 3/4-10UNCX10 GR5	1
10	1-654-010070-02	SCREW 1/2-13X1-1/4 RD HD SQNK	2
11	1-861-010034-21	WASHER, LKG HEL SPRG 1IN	1
12	100829	SCREW,HEX CAP,1-8X6-1/2,GR5	12
13	117957	MACHINERY BUSHING,ZINC PLATED	1
14	140599	BEARING, FLANGE 1-1/2	2
15	144264	BEARING FLANGE	4
16	152209	BUSHING, PIVOT 1-1/2	1
17	152210	BOLT, ADJ, 1 X 9	1
18	154392	PIN,PIVOT	1
19	154748	PLATE, GANGBAR MOUNT	1
20	155344	SCREW HX CP 3/4-10UNCX13 GR5B	4
21	158795	SPRING ASSY, 17"	1
22	158847	ARM WLDMT REEL	1
23	158896	SNAP RING, 2-1/2 SHAFT	2
24	158897	PIN, ADJUSTMENT	1
25	166241	SCREW,RDHD SQNCK, 5/8-11X4	2
26	167554	STOP, REEL ARM (200241 ONLY)	1
27	172673	WRAP AROUND LOCKING COTTER	2
28	176625	PIN, CLEVIS 1/2 X 3-1/2	2
29	184713	SPRING, TORSION 1-3/4	4
30	187571	CLAMP PLATE, SPIKE BAR	2
31	187575	HOOK, CHAIN	2
32	187577	HARROW ARM, DOUBLE REEL	1
33	187584	BUSHING, SPIKE ARM	2
34	187585	TUBE, CLAMP	2
35	193030	CLAMP, SPIKE HARROW	2
36	193031	ARM WLDMT SPIKE	2
37	194693	U-BOLT, 5/8 X 3-11/16 X 3-3/4	2
38	200233	MOUNT WLDMT, ADJ	1
39	200236	PLATE, REEL ADJ	2
40	200237	TUBE, SPACER	1
41	203138	SLIDE, BLOCK	2
42	29SFFL 5811	'NUT,FLANGE HEAD LOCK5/8-11UNC	4
43	8-102-010012	U BOLT	4
44	8-720-010011	HARROW SPRING	1

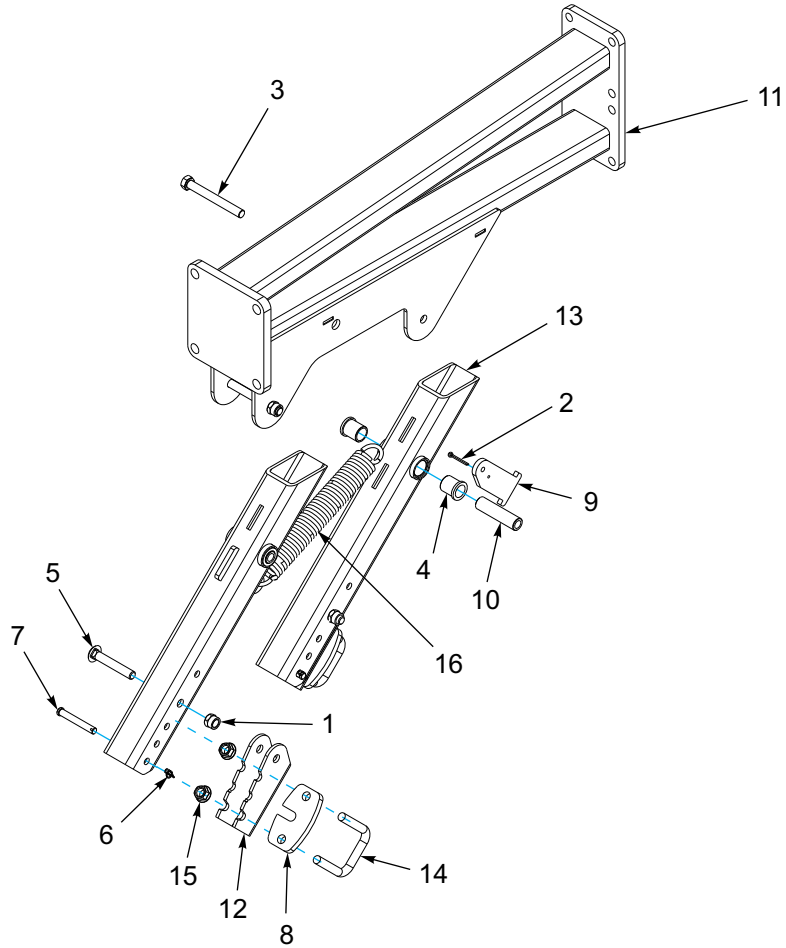


Figure 1-44: Harrow Arm Assembly

Harrow Arm Assembly

ITEM	PART NO.	DESCRIPTION	QTY.
--	193026	HARROW ARM ASSEMBLY	
1	1-512-010005-13	NUT,HEX SLFLKG GRB 5/8-11	4
2	1-557-010362-51	PIN, COTTER 3/16X1-1/2	2
3	1-654-010059-16	SCREW,HEX CAP,5/8-11UNCX5.50	2
4	144264	BEARING, FLANGE 1	4
5	166421	WINCH 12M WARN W/LW&RMTC	2
6	172673	WRAP AROUND LOCKING COTTER	2
7	176625	PIN, CLEVIS 1/2 X 3-1/2	2
8	187571	CLAMP PLATE, SPIKE BAR	2
9	187575	HOOK, CHAIN	2
10	187584	BUSHING, SPIKE ARM	2
11	193021	HARROW ARM, DOUBLE REEL	1
12	193030	CLAMP, SPIKE HARROW	2
13	193031	ARM, SPIKE	2
14	194693	U-BOLT, 5/8 X 3-11/16 X 3-3/4	2
15	29SFFL 5811	NUT,FLANGE HEAD LOCK5/8-11UNC	4
16	8-720-010011	HARROW SPRING	1

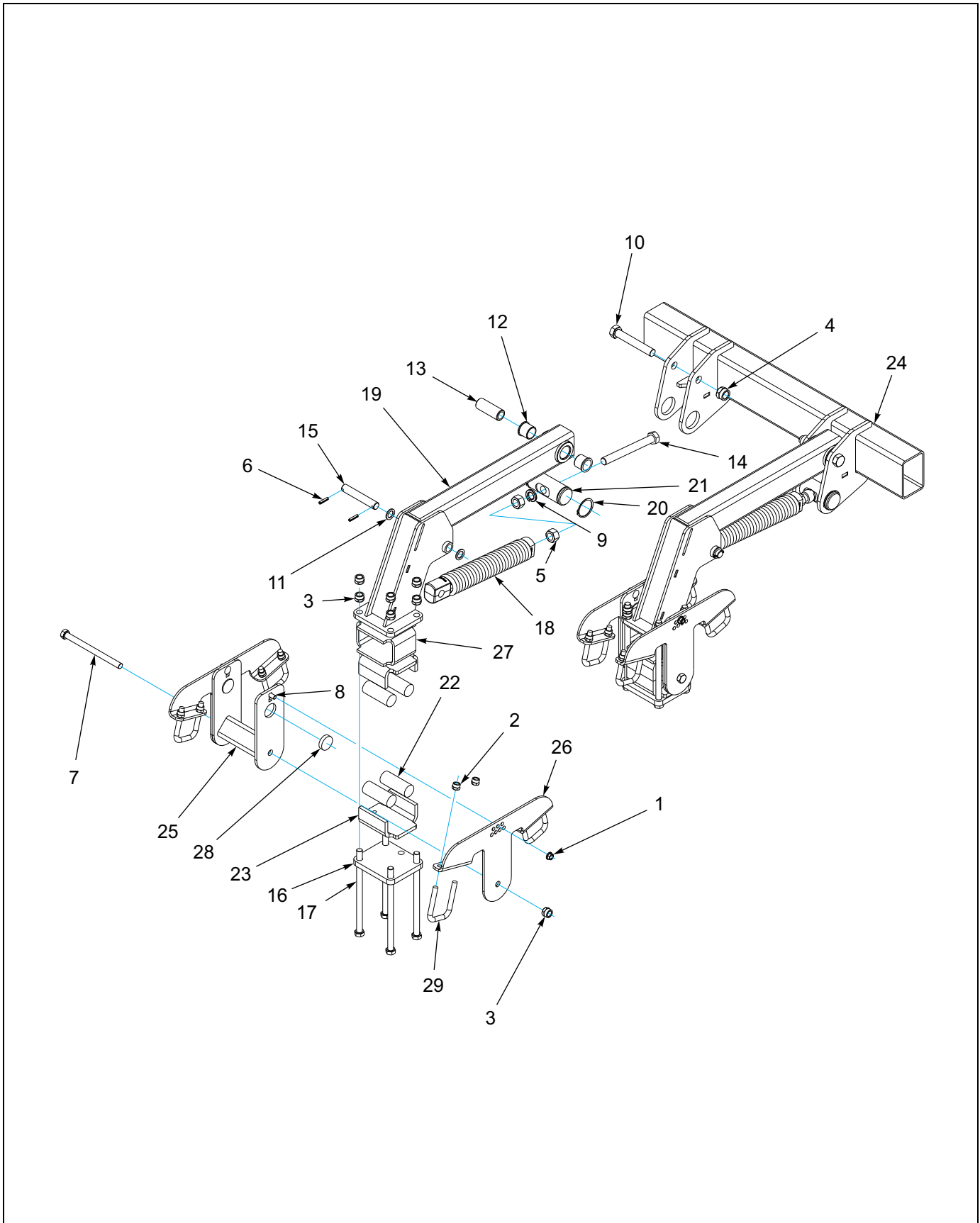


Figure 1-45: Double Reel Center Assembly

Double Reel Center Assembly

ITEM	PART NO.	DESCRIPTION	QTY.
--	200242	DOUBLE REEL ASSY CENTER	
1	1-510-010003-09	NUT,1/2-13 FLANGE HD,SERRATED	4
2	1-512-010005-13	NUT,HEX SLFLKG GRB 5/8-11	16
3	1-512-010005-15	NUT,HEX,SLFLKG GRB 3/4-10	18
4	1-512-010005-19	NUT 1-8 HEX SLF-LOCKING GRB	2
5	1-512-010007-14	NUT, HEX 1-8 GR2 ZP	4
6	1-647-010004236	SPRING PIN,SLOTTED 5/16X1-1/2	4
7	1-654-010061-25	SCREW,HX CP 3/4-10UNCX10 GR5	2
8	1-654-010070-02	SCREW 1/2-13X1-1/4 RD HD SQNK	4
9	1-861-010034-21	WASHER, LKG HEL SPRG 1IN	2
10	100829	SCREW,HEX CAP,1-8X6-1/2,GR5	2
11	117957	MACHINERY BUSHING,ZINC PLATED	4
12	140599	BEARING, FLANGE 1-1/2	4
13	152209	BUSHING, PIVOT 1-1/2	2
14	152210	BOLT, ADJ, 1 X 9	2
15	154392	PIN,PIVOT	2
16	154748	PLATE, GANGBAR MOUNT	2
17	155344	SCREW HX CP 3/4-10UNCX13 GR5B	8
18	158795	SPRING ASSY, 17"	2
19	158847	ARM WLDMT REEL	2
20	158896	SNAP RING, 2-1/2 SHAFT	4
21	158897	PIN, ADJUSTMENT	2
22	184713	SPRING, TORSION 1-3/4	8
23	187585	TUBE, CLAMP	4
24	193025	MOUNT WLDMT HARROW ARM	1
25	200233	MOUNT WLDMT, ADJ	2
26	200236	PLATE, REEL ADJ	4
27	200237	TUBE, SPACER	2
28	203138	SLIDE, BLOCK	4
29	8-102-010012	U BOLT	8

3 Row Spike & Reel Assemblies

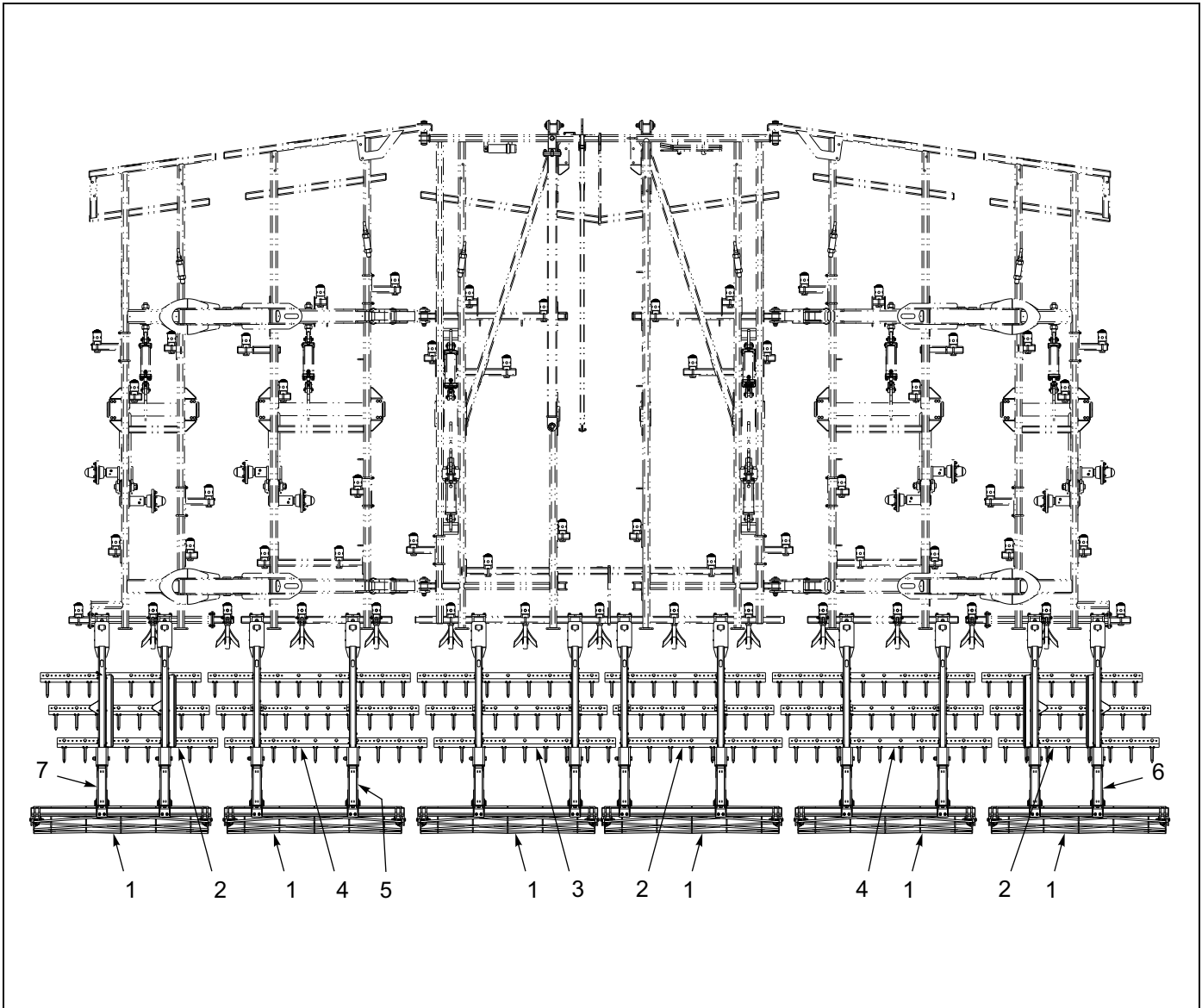


Figure 1-46: 3 Row Spike & Reel - 38'

3 Row Spike & Reel - 38'

ITEM	PART NO.	DESCRIPTION	QTY.
--	188679	3 ROW SPIKE AND REEL, 8550-38	
1	168728	REEL ASSY, 12 DIA X 75" (SEE PAGE 1-89)	6
2	186187	SPIKE BAR ASSY, 8 TOOTH, 9SP (SEE PAGE 1-94)	9
3	186188	SPIKE BAR ASSY, 9 TOOTH, 9SP (SEE PAGE 1-94)	3
4	186189	SPIKE BAR ASSY, 10 TOOTH, 10SP (SEE PAGE 1-94)	6
5	203089	ARM ASSY 3 RSD (SEE PAGE 1-73)	8
6	203091	ARM ASSY 3 RSD RT W/TRAY (SEE PAGE 1-77)	2
7	203092	ARM ASSY 3 RSD LT W/TRAY (SEE PAGE 1-77)	2

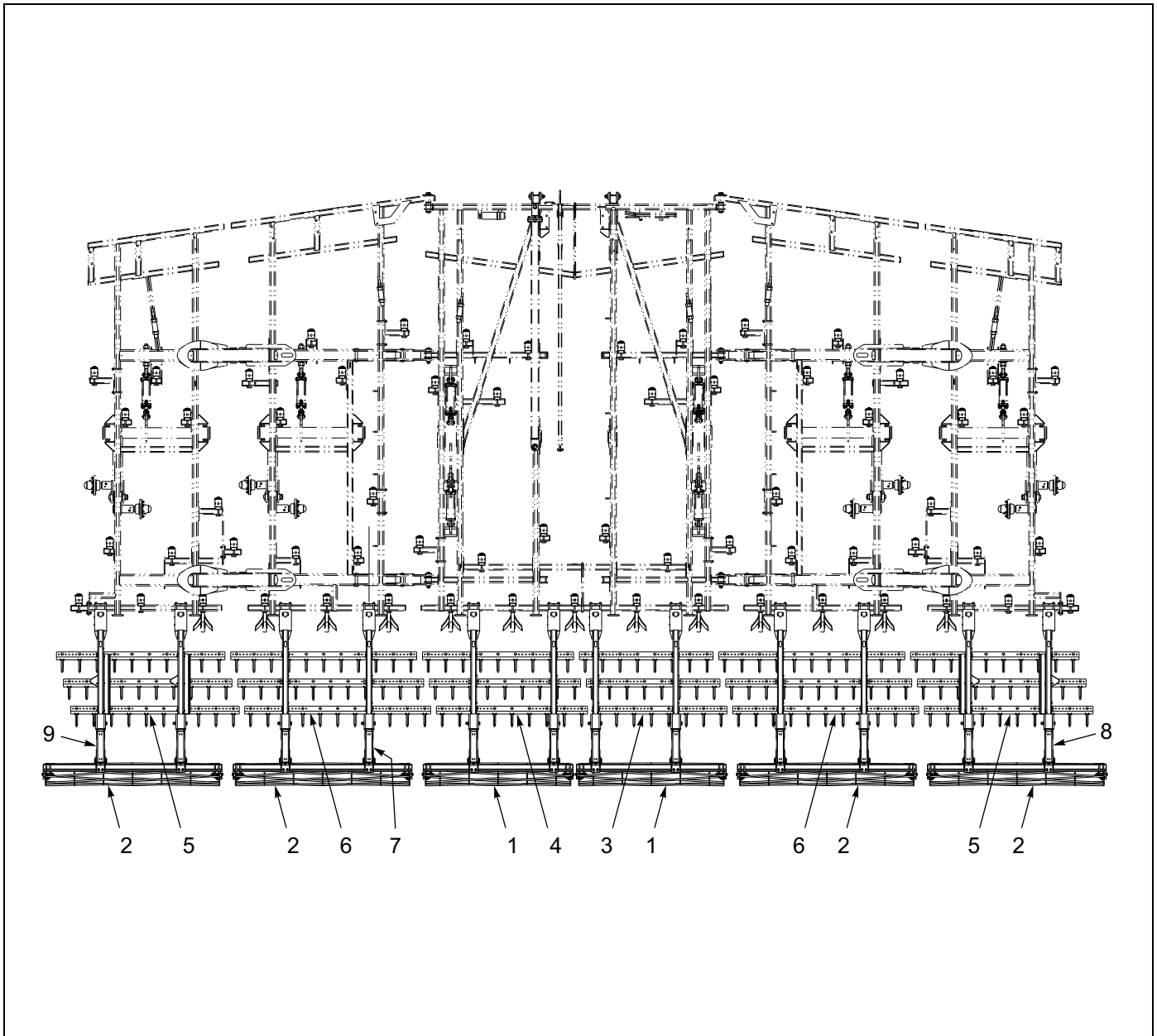


Figure 1-47: 3 Row Spike & Reel - 43'

3 Row Spike & Reel - 43'

ITEM	PART NO.	DESCRIPTION	QTY.
--	188680	3 ROW SPIKE AND REEL, 8550-43	
1	168728	REEL ASSY, 12 DIA X 75" (SEE PAGE 1-89)	2
2	168729	REEL ASSY, 12 DIA X 90" (SEE PAGE 1-89)	4
3	186187	SPIKE BAR ASSY, 8 TOOTH, 9SP (SEE PAGE 1-94)	3
4	186188	SPIKE BAR ASSY, 9 TOOTH, 9SP (SEE PAGE 1-94)	3
5	186189	SPIKE BAR ASSY, 10 TOOTH, 10SP (SEE PAGE 1-94)	6
6	186190	SPIKE BAR ASSY, 11 TOOTH, 9SP (SEE PAGE 1-94)	6
7	203089	ARM ASSY 3 RSD (SEE PAGE 1-73)	8
8	203091	ARM ASSY 3 RSD RT W/TRAY (SEE PAGE 1-77)	2
9	203092	ARM ASSY 3 RSD LT W/TRAY (SEE PAGE 1-77)	2

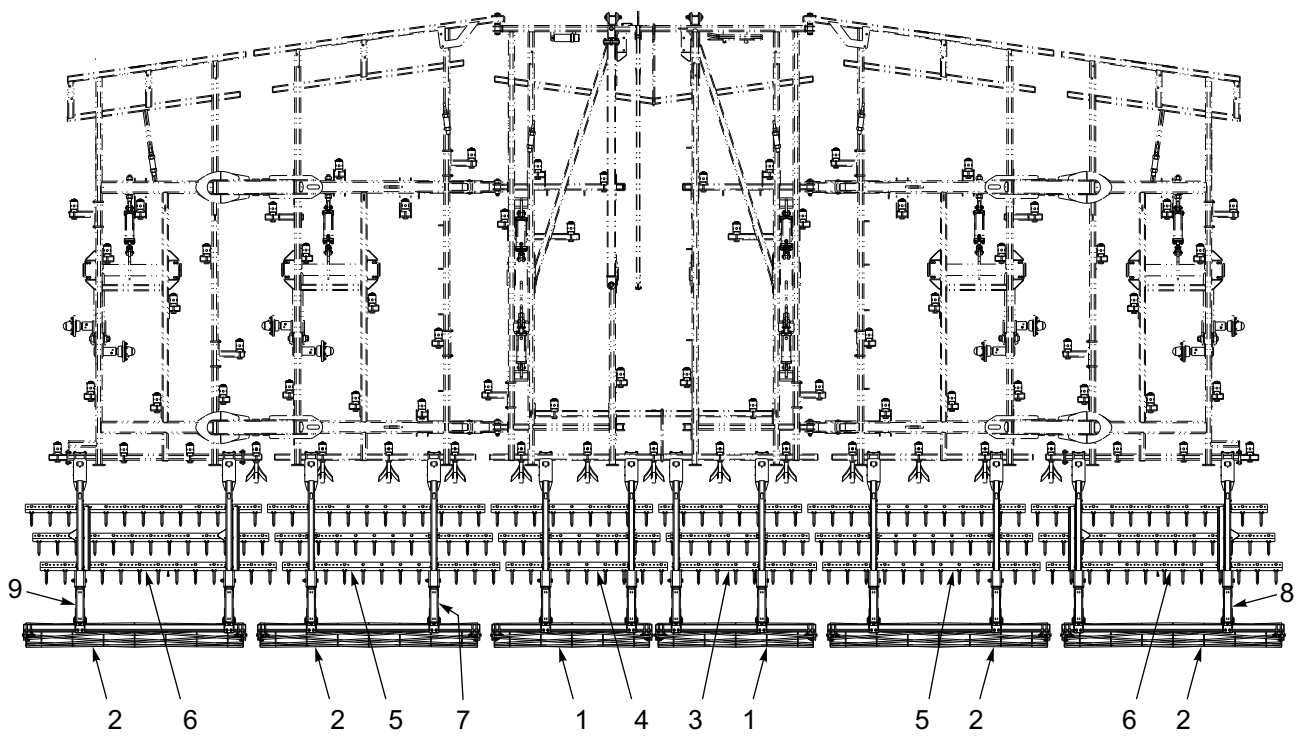


Figure 1-48: 3 Row Spike & Reel - 48'

3 Row Spike & Reel - 48'

ITEM	PART NO.	DESCRIPTION	QTY.
--	188681	3 ROW SPIKE AND REEL, 8550-48	
1	168728	REEL ASSY, 12 DIA X 75" (SEE PAGE 1-89)	2
2	168730	REEL ASSY, 12 DIA X 105" (SEE PAGE 1-89)	4
3	186187	SPIKE BAR ASSY, 8 TOOTH, 9SP (SEE PAGE 1-94)	3
4	186188	SPIKE BAR ASSY, 9 TOOTH, 9SP (SEE PAGE 1-94)	3
5	186191	SPIKE BAR ASSY, 12 TOOTH, 9SP (SEE PAGE 1-94)	6
6	186192	SPIKE BAR ASSY, 13 TOOTH, 9SP (SEE PAGE 1-94)	6
7	203089	ARM ASSY 3 RSD (SEE PAGE 1-73)	8
8	203091	ARM ASSY 3 RSD RT W/TRAY (SEE PAGE 1-77)	2
9	203092	ARM ASSY 3 RSD LT W/TRAY (SEE PAGE 1-77)	2

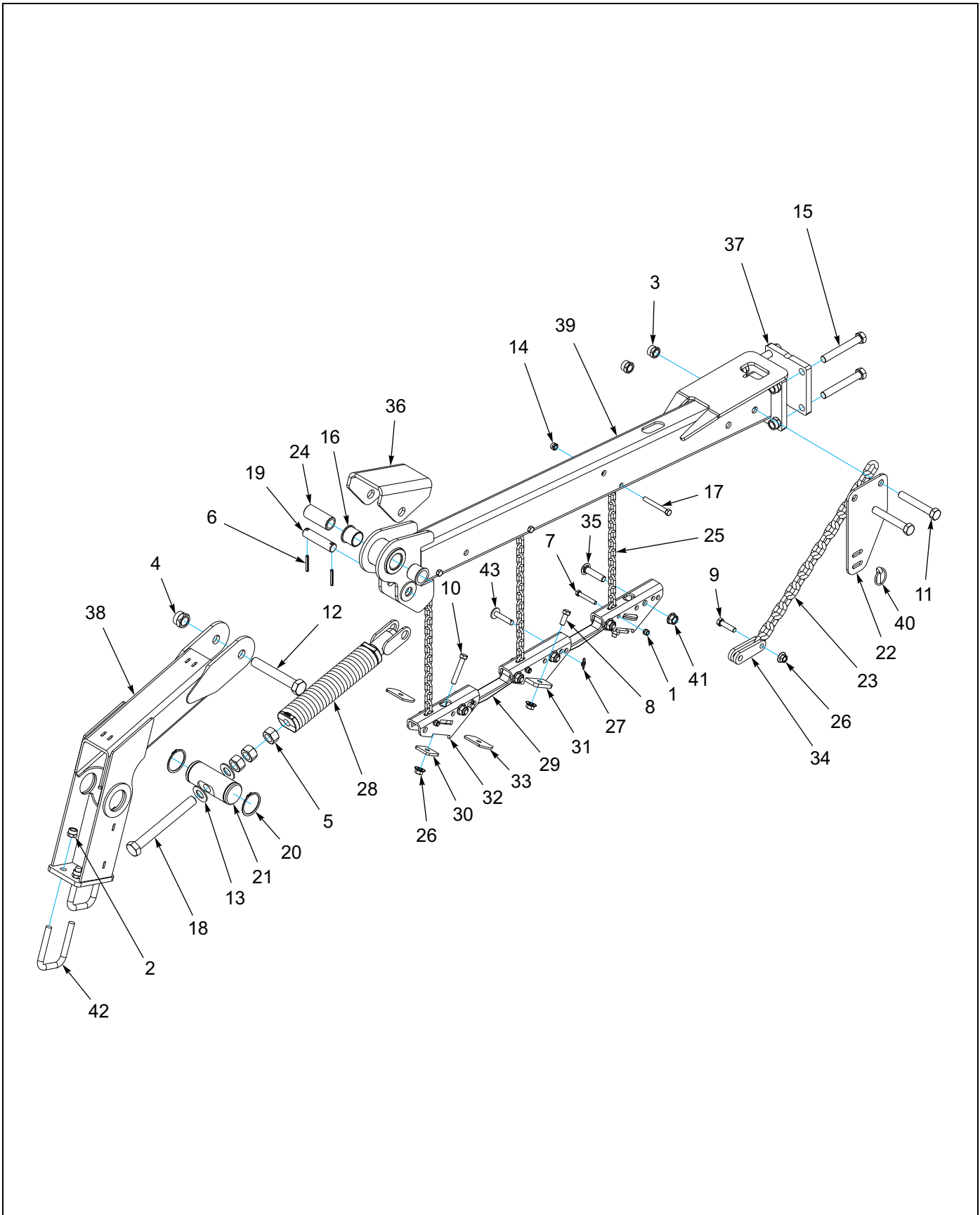


Figure 1-49: Spike & Reel Arm Assembly

Spike & Reel Arm Assembly

ITEM	PART NO.	DESCRIPTION	QTY.
--	203089	ARM ASSY 3 RSD	
1	1-512-010005-05	NUT, HEX, SLFLKG GRB 3/8-16	3
2	1-512-010005-13	NUT, HEX, SLFLKG, 5/8-11 UNC, GRB	4
3	1-512-010005-15	NUT, HEX, SLFLKG GRB 3/4-10	6
4	1-512-010005-19	NUT, HEX, SLFLKG 1-8 UNC, GRB	1
5	1-512-010007-14	NUT, HEX, 1-8 UNC, GR2	3
6	1-647-010004221	ROLL PIN, SLTD, 1/4 X 2	2
7	1-654-010051-11	SCREW, HEX CP, 3/8-16 X 2-1/2 G5ZP	3
8	1-654-010055-02	SCREW, 1/2-13 UNC X 1-1/4, CP GR5	2
9	1-654-010055-05	SCREW, HEX CAP, 1/2-13 UNC X 2 GR5	1
10	1-654-010055-09	SCREW, HEX CAP, 1/2-13, UNC X 3 GR5	2
11	1-654-010061-15	SCREW, HEX CAP, 3/4-10, UNC X 5 GR5	2
12	1-654-010125-18	SCREW HEX CAP, 1-8UNCX6-1/2GR8	1
13	1-861-010032-24	WASHER FL 1IN NARROW ZP	2
14	101988	NUT,HEXSLF-LKG 7/16-14 GRB	3
15	139201	SCREW,HX CP 3/4-10UNCX5.50GR8	4
16	140599	BEARING, FLANGE 1-1/2	2
17	141808	SCREW HX CP7/16-14UNCX3-1/2G5	3
18	152210	BOLT, ADJ, 1 X 9	1
19	156785	PIN 1 X 4-1/4	1
20	158896	SNAP RING, 2-1/2 SHAFT	2
21	158897	PIN, ADJUSTMENT	1
22	166177	BRACKET, PULL CHAIN	1
23	166242	CHAIN, PULL 3/8	1
24	168739	BUSHING PIVOT 1-1/2 X 3-7/16	1
25	168764	CHAIN 17 LINK 1/4	3
26	172509	NUT,1/2-13 WIDE FLNG TOP LCK F	5
27	172673	WRAP AROUND LOCKING COTTER	2
28	172677	SPRING ASSY, W/ANCHOR	1
29	185697	LINK, HARROW BAR	2
30	186193	CLAMP PLATE, SPIKE BAR	2
31	186200	MOUNT, HARROW BAR W/TABS	1
32	186204	MOUNT, HARROW BAR	2
33	186205	PLATE, BAR CLAMP	4
34	186210	CONNECTOR, PULL CHAIN	2
35	187517	SCREW RDHD SHT SQNK5/8-11X2.75	5
36	191459	STOP, HARROW ARM	1
37	192807	MOUNTING PLATE, HARROW	1
38	199359	ARM WLDMT REEL	1
39	199392	ARM WLDMT HARROW	1
40	2-557-010009	PIN LYNCH	1
41	29SFFL 5811	'NUT,FLANGE HEAD LOCK5/8-11UNC	5
42	8-102-010012	U BOLT	2
43	8-102-010012	U BOLT	2

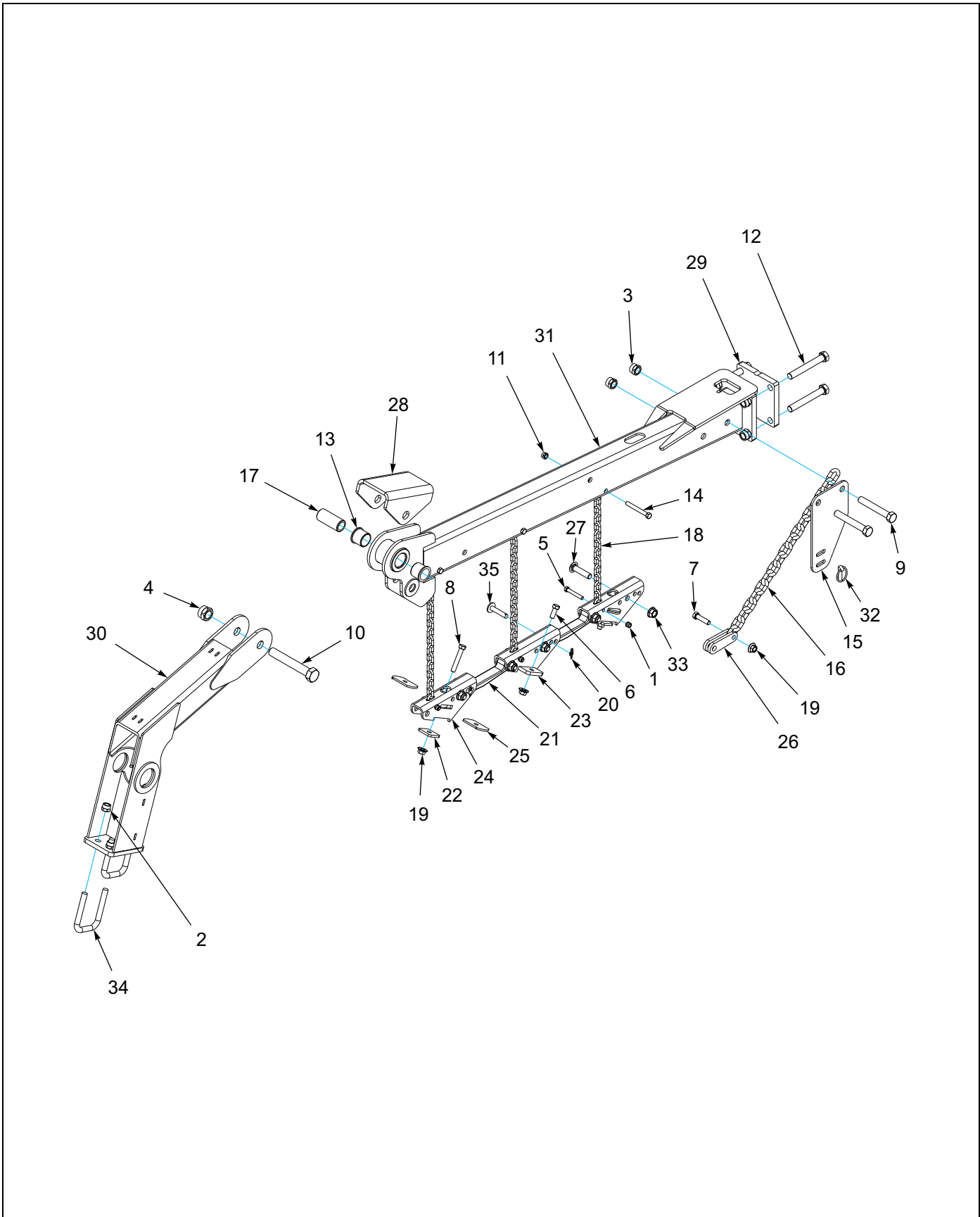


Figure 1-50: Spike & Reel Arm Assembly W/O Spring

Spike & Reel Arm Assembly W/O Spring

ITEM	PART NO.	DESCRIPTION	QTY.
--	203090	ARM ASSY 3 RSD W/O SPRING	
1	1-512-010005-05	NUT, HEX, SLFLKG GRB 3/8-16	3
2	1-512-010005-13	NUT,HEX SLFLKG GRB 5/8-11	4
3	1-512-010005-15	NUT,HEX,SLFLKG GRB 3/4-10	6
4	1-512-010005-19	NUT 1-8 HEX SLF-LOCKING GRB	1
5	1-654-010051-11	SCREW HX CP 3/8-16X2-1/2 G5ZP	3
6	1-654-010055-02	SCREW 1/2-13UNCX1-1/4 CP GR5	2
7	1-654-010055-05	SCREW,HEX CAP,1/2-13UNCX2 GR5	1
8	1-654-010055-09	SCREW,HX CP,1/2-13UNCX3 GR5	2
9	1-654-010061-15	SCREW,HX CP 3/4-10UNCX5 GR5	2
10	1-654-010125-18	SCREW HEX CAP,1-8UNCX6-1/2GR8	1
11	101988	NUT,HEXSLF-LKG 7/16-14 GRB	3
12	139201	SCREW,HX CP 3/4-10UNCX5.50GR8	4
13	140599	BEARING, FLANGE 1-1/2	2
14	141808	SCREW HX CP7/16-14UNCX3-1/2G5	3
15	166171	HOSE ASSY 3/8X114 #8JIC SWIV	1
16	166242	CHAIN, PULL 3/8	1
17	168739	BUSHING PIVOT 1-1/2 X 3-7/16	1
18	168764	CHAIN 17 LINK 1/4	3
19	172509	NUT,1/2-13 WIDE FLNG TOP LCK F	5
20	172673	WRAP AROUND LOCKING COTTER	2
21	185697	LINK, HARROW BAR	2
22	186193	CLAMP PLATE, SPIKE BAR	2
23	186200	MOUNT, HARROW BAR W/TABS	1
24	186204	MOUNT, HARROW BAR	2
25	186205	PLATE, BAR CLAMP	4
26	186210	CONNECTOR, PULL CHAIN	2
27	187517	SCREW RDHD SHT SQNK5/8-11X2.75	5
28	191459	STOP, HARROW ARM	1
29	192807	MOUNTING PLATE, HARROW	1
30	199359	ARM WLDMT REEL	1
31	199392	ARM WLDMT HARROW	1
32	2-557-010009	PIN LYNCH	1
33	29SFFL 5811	'NUT,FLANGE HEAD LOCK5/8-11UNC	5
34	8-102-010012	U BOLT	2
35	8C520	CLEVIS PIN	2

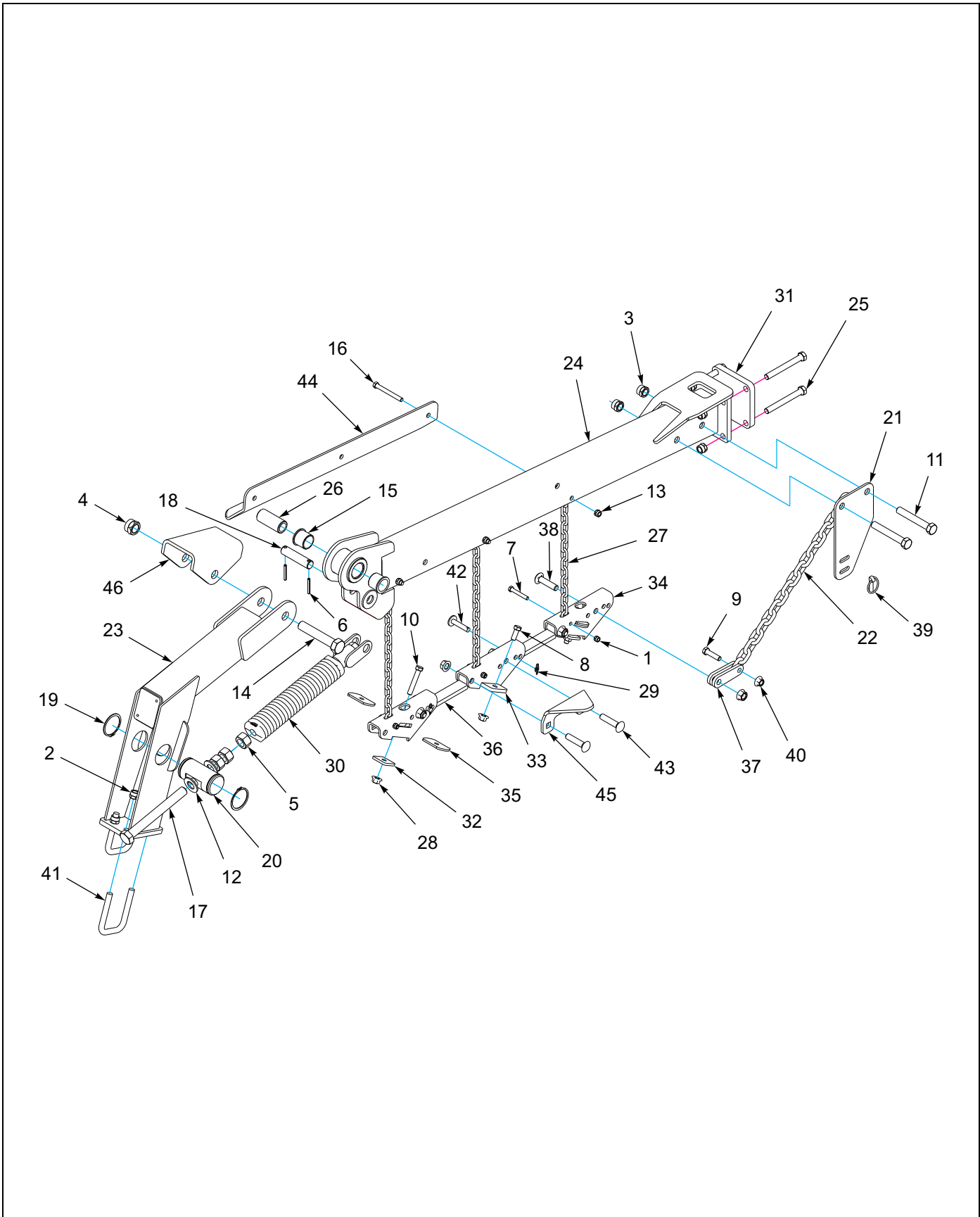


Figure 1-51: Spike & Reel Arm Assembly - W/ Tray

Spike & Reel Arm Assembly - W/ Tray

ITEM	PART NO.	DESCRIPTION	QTY.
--	203091	ARM ASSY 3 RSD RT W/TRAY (SHOWN)	
--	203092	ARM ASSY 3 RSD LT W/TRAY	
1	1-512-010005-05	NUT, HEX, SLFLKG GRB 3/8-16	3
2	1-512-010005-13	NUT, HEX, SLFLKG, 5/8-11 UNC, GRB	4
3	1-512-010005-15	NUT, HEX, SLFLKG GRB 3/4-10	6
4	1-512-010005-19	NUT, HEX, SLFLKG 1-8 UNC, GRB	1
5	1-512-010007-14	NUT, HEX, 1-8 UNC, GR2	3
6	1-647-010004221	ROLL PIN, SLTD, 1/4 X 2	2
7	1-654-010051-11	SCREW, HEX CP, 3/8-16 X 2-1/2 G5ZP	3
8	1-654-010055-02	SCREW, 1/2-13 UNC X 1-1/4, CP GR5	2
9	1-654-010055-05	SCREW, HEX CAP, 1/2-13 UNC X 2 GR5	1
10	1-654-010055-09	SCREW, HEX CAP, 1/2-13, UNC X 3 GR5	2
11	1-654-010061-15	SCREW, HEX CAP, 3/4-10, UNC X 5 GR5	2
12	1-654-010125-18	SCREW, HEX, 1-8 UNC X 6-1/2, GR8	1
13	1-861-010032-24	WASHER, FLAT, ZP/CD, IN	2
14	101988	NUT, HEX, SLF-LKG, 7/16-14 GRB	3
15	139201	SCREW, HX CP 3/4-10UNCX5.50GR8	4
16	140599	BEARING, FLANGE 1-1/2	2
17	141809	SCREW HX CP7/16-14UNC X 4 GR5	3
18	152210	BOLT, ADJ, 1 X 9	1
19	156785	PIN 1 X 4-1/4	1
20	158896	SNAP RING, 2-1/2 SHAFT	2
21	158897	PIN, ADJUSTMENT	1
22	164861	SCREW, RD HD SQNCK 5/8-11X3	2
23	166177	BRACKET, PULL CHAIN	1
24	166242	CHAIN, PULL 3/8	1
25	168739	BUSHING PIVOT 1-1/2 X 3-7/16	1
26	168751	TRAY CATCH (203092 BOLTS ON OTHER SIDE OF ARM)	1
27	168764	CHAIN 17 LINK 1/4	3
28	172509	NUT, 1/2-13 WIDE FLNG TOP LCK F	5
29	172673	WRAP AROUND LOCKING COTTER	2
30	172677	SPRING ASSY, W/ANCHOR	1
31	185697	LINK, HARROW BAR	2
32	186193	CLAMP PLATE, SPIKE BAR	2
33	186196	HOOK, CATCH TRAY	1
34	186200	MOUNT, HARROW BAR W/TABS	1
35	186204	MOUNT, HARROW BAR	2
36	186205	PLATE, BAR CLAMP	4
37	186210	CONNECTOR, PULL CHAIN	2
38	187517	SCREW RDHD SHT SQNK5/8-11X2.75	3
39	191459	STOP, HARROW ARM	1
40	192807	MOUNTING PLATE, HARROW	1
41	199359	ARM WLDMT REEL	1
42	199392	ARM WLDMT HARROW	1
43	2-557-010009	PIN LYNCH	1
44	29SFFL 5811	'NUT, FLANGE HEAD LOCK5/8-11UNC	5
45	8-102-010012	U BOLT	2
46	8C520	CLEVIS PIN	2

3 Row Tine & Reel Assemblies

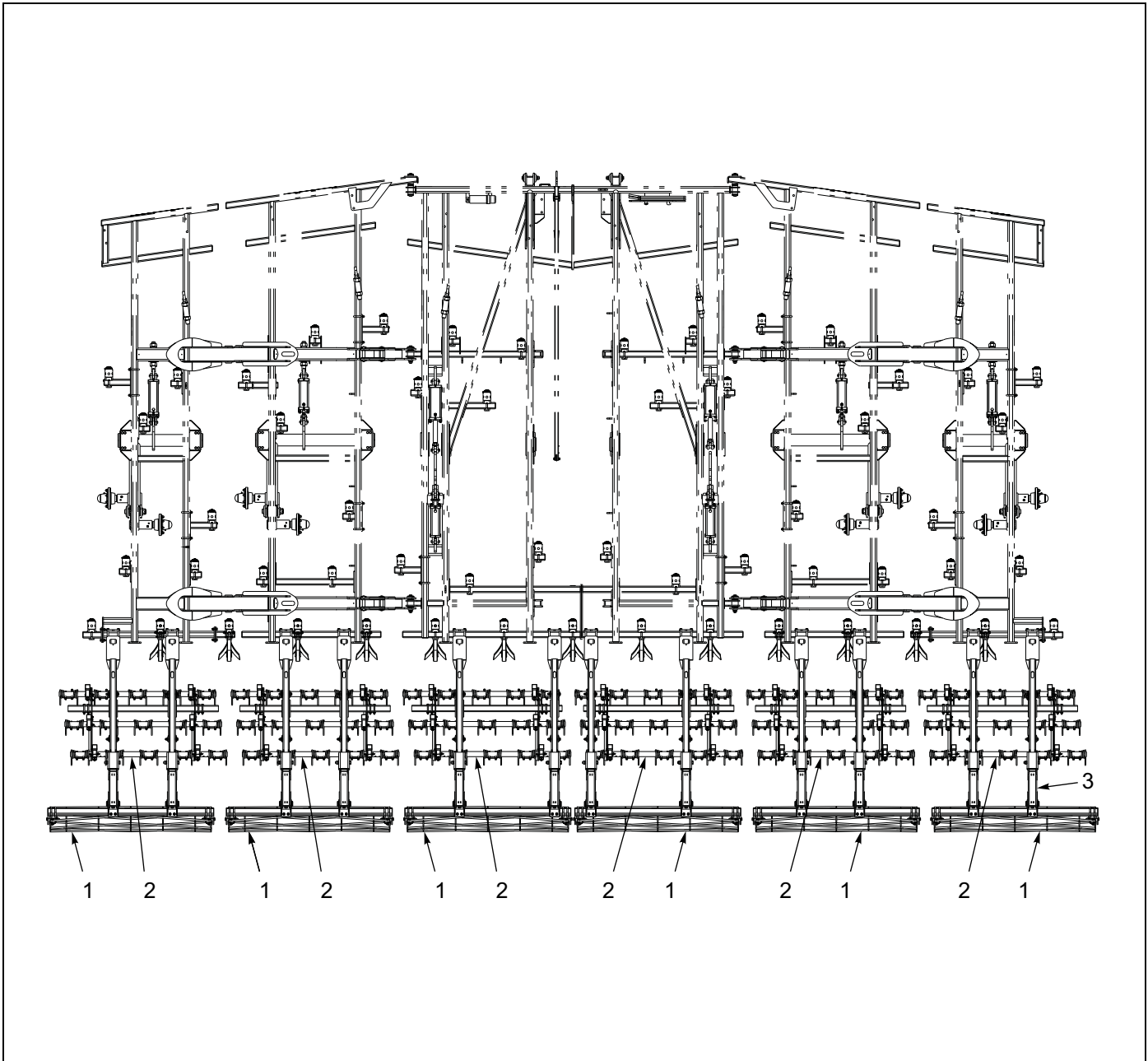


Figure 1-52: 3 Row Tine & Reel - 38'

3 Row Tine & Reel - 38'

ITEM	PART NO.	DESCRIPTION	QTY.
--	188676	3 ROW TINE & REEL, 8550-38	
1	168728	REEL ASSY, 12 DIA X 75" (SEE PAGE 1-89)	6
2	168799	HARROW ASSY, 5 TINE, 3 ROW (SEE PAGE 1-83)	6
3	203098	ARM ASSY TINE/REEL HARROW (SEE PAGE 1-87)	12

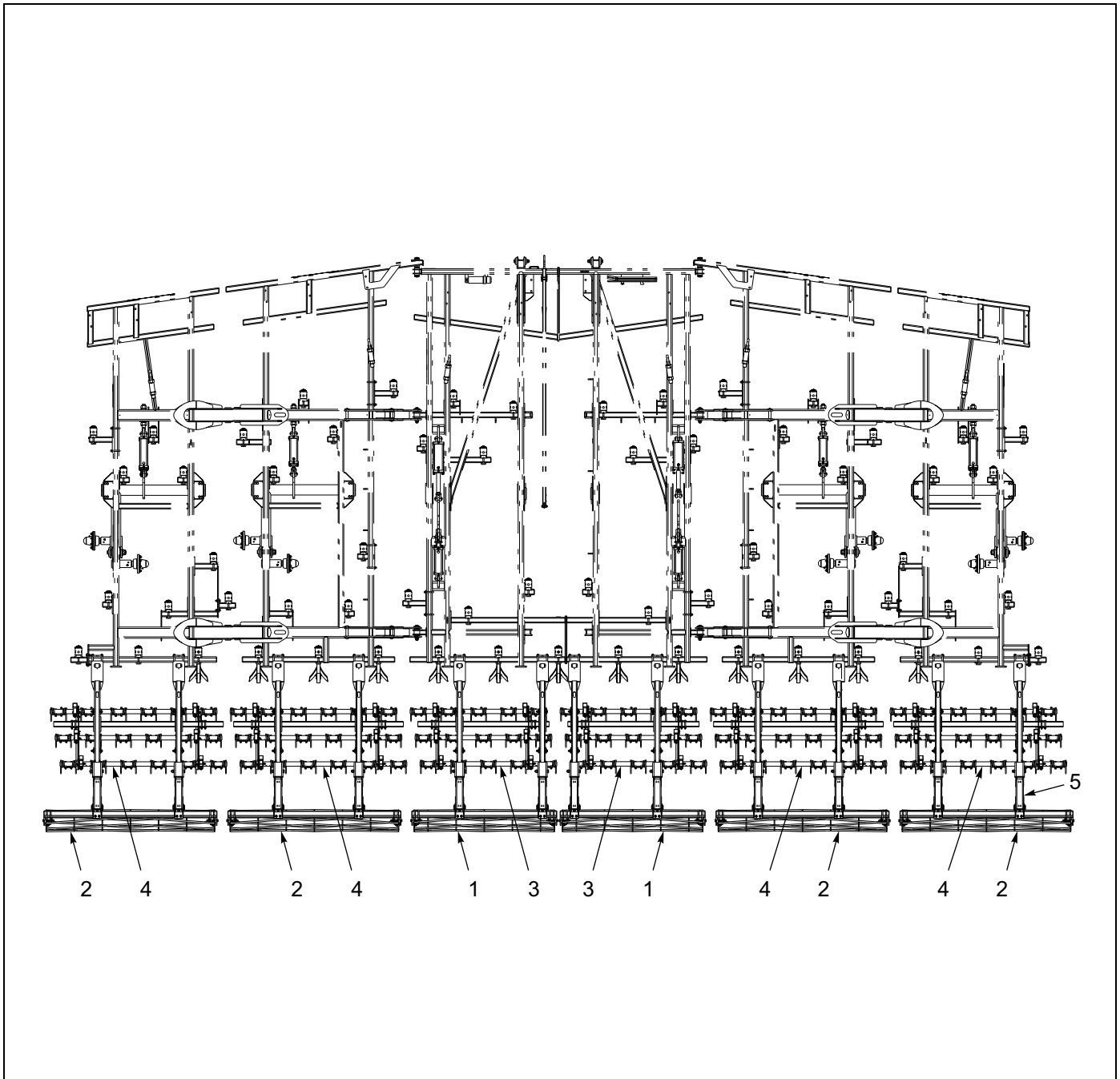


Figure 1-53: 3 Row Tine & Reel - 43'

3 Row Tine & Reel - 43'

ITEM	PART NO.	DESCRIPTION	QTY.
--	188677	3 ROW TINE & REEL, 8550-43	
1	168728	REEL ASSY, 12 DIA X 75" (SEE PAGE 1-89)	2
2	168729	REEL ASSY, 12 DIA X 90" (SEE PAGE 1-89)	4
3	168799	HARROW ASSY, 5 TINE, 3 ROW (SEE PAGE 1-83)	2
4	168800	HARROW ASSY, 6 TINE, 3 ROW (SEE PAGE 1-83)	4
5	203098	ARM ASSY TINE/REEL HARROW (SEE PAGE 1-87)	12

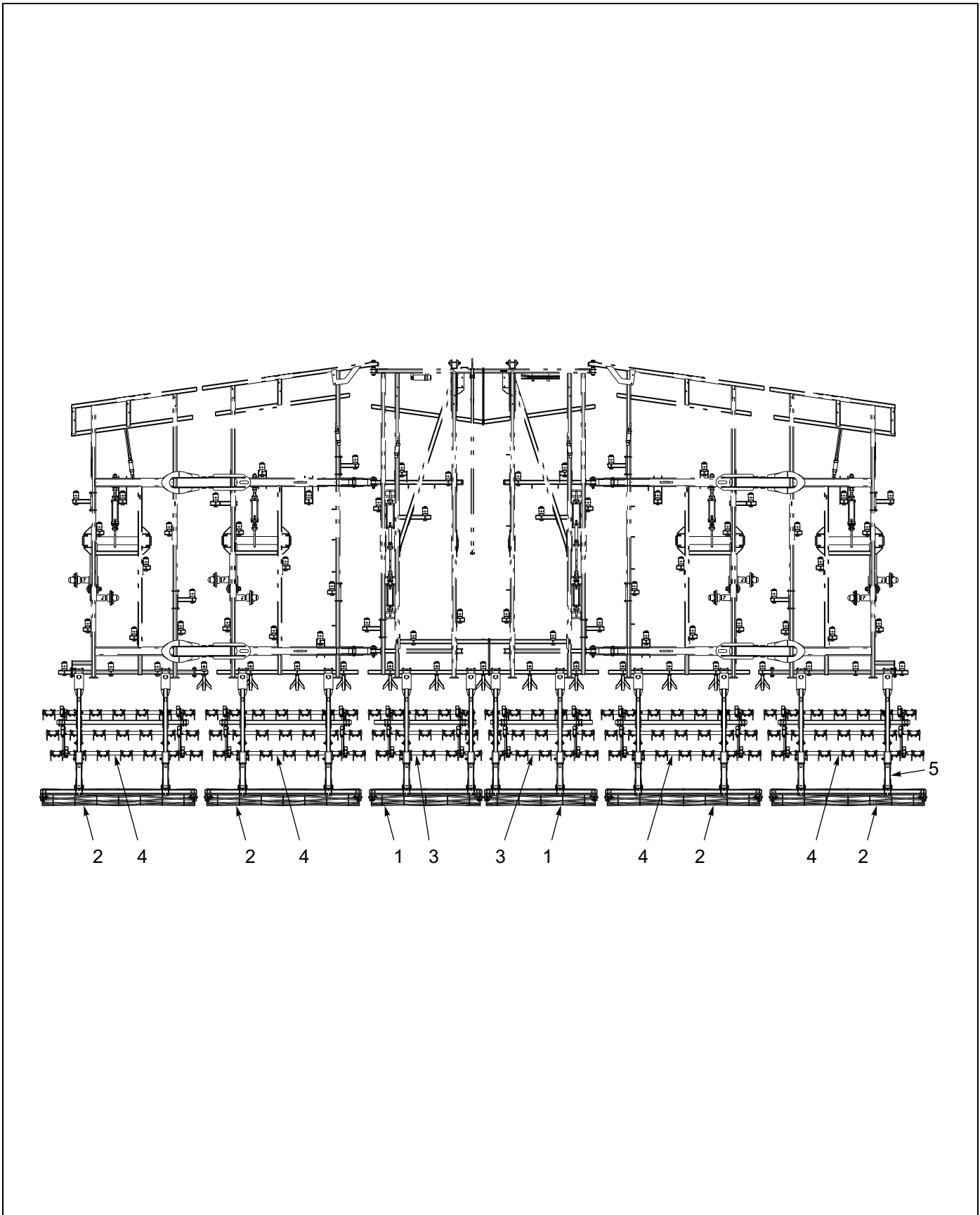


Figure 1-54: 3 Row Tine & Reel - 48'

3 Row Tine & Reel - 48'

ITEM	PART NO.	DESCRIPTION	QTY.
--	188678	3 ROW TINE & REEL, 8550-48	
1	168728	REEL ASSY, 12 DIA X 75" (SEE PAGE 1-89)	2
2	168730	REEL ASSY, 12 DIA X 105" (SEE PAGE 1-89)	4
3	168799	HARROW ASSY, 5 TINE, 3 ROW (SEE PAGE 1-83)	2
4	168801	HARROW ASSY, 7 TINE, 3 ROW (SEE PAGE 1-83)	4
5	203098	ARM ASSY TINE/REEL HARROW (SEE PAGE 1-87)	12

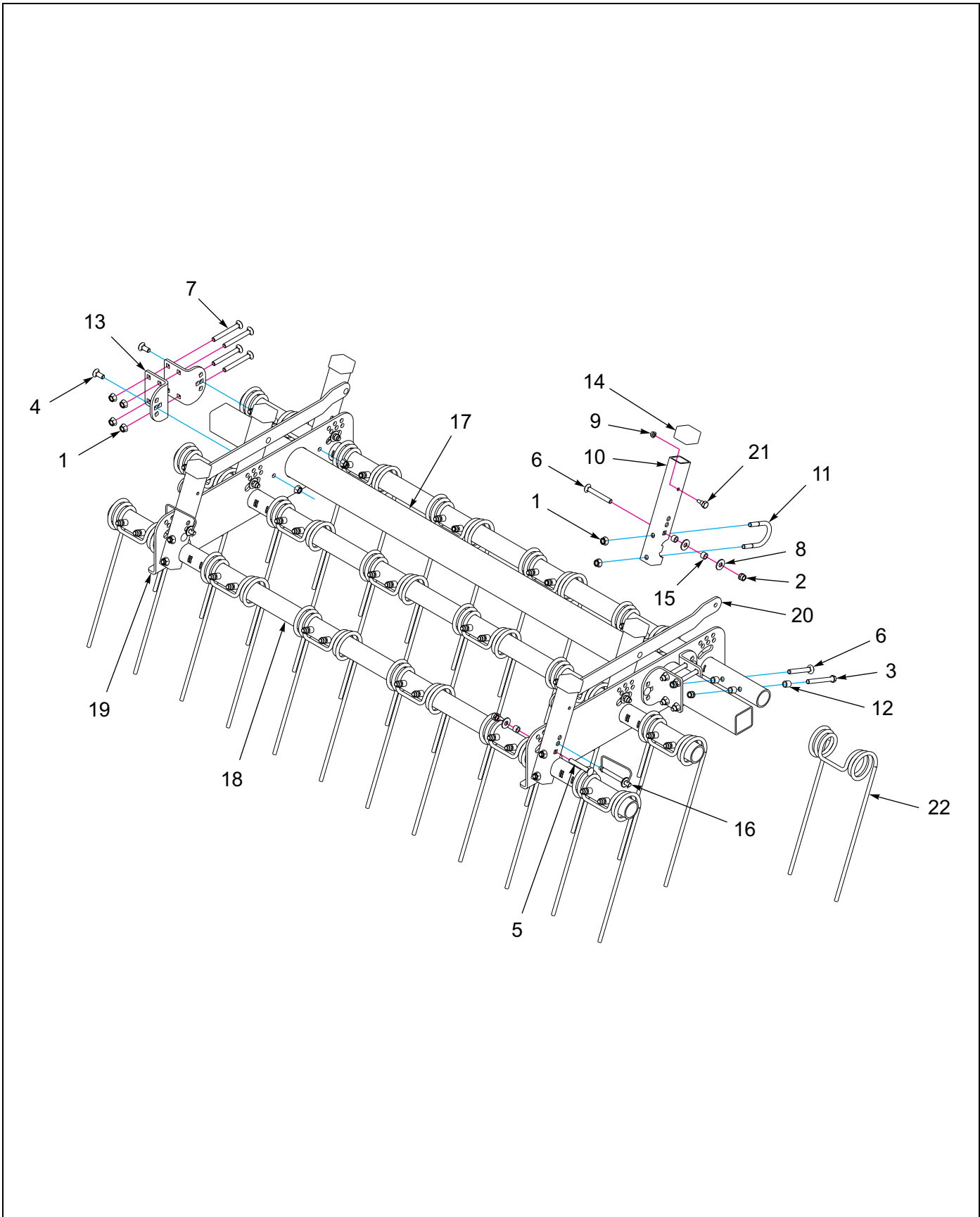


Figure 1-55: 3 Row, 5-7 Tine Harrow Assembly

3 Row, 5-7 Tine Harrow Assembly

ITEM	PART NO.	DESCRIPTION	QTY.		
--	168799	HARROW ASSEMBLY, 5 TINE 3 ROW	*		
--	168800	HARROW ASSEMBLY, 6 TINE 3 ROW		*	
--	168801	HARROW ASSEMBLY, 7 TINE 3 ROW			*
1	1-510-010003-09	NUT, 1/2-13 FLANGE HD, SERRATED	24	24	24
2	1-512-010005-09	NUT, HEX, SLFLKG, 1/2-13 UNC, GRB	36	42	48
3	1-654-010055-14	SCREW, RDH, SQ NCK, 1/2-13 UNC X 4-1/2, GR5	5	6	7
4	1-654-010070-02	SCREW, 1/2-13 X1 -1/4 RD HD SQNK	4	4	4
5	1-654-010070-11	SCREW, RDH, SQ NCK 1/2-13 X 3-1/2	4	4	4
6	1-654-010070-13	SCREW, RDH, SQ NCK, 1/2-13 X 4	27	32	37
7	1-654-010070-14	SCREW, RDH, SQ NCK, 1/2-13 X 4-1/2	8	8	8
8	1-861-010032-15	WASHER, FLAT, ZP/CD, 1/2W	8	8	8
9	107470	NUT, FLG HD, SPIRALOCK, 3/8-16, UNC	6	6	6
10	154994	TUBE, ANGLE ADJUST	6	6	6
11	154995	U-BOLT, 1/2	6	6	6
12	154997	TUBE, ROUND, .75 OD X .532 ID X .75	35	42	49
13	154998	PLATE, ANGLE ADJUSTMENT	4	4	4
14	155927	CAP, TUBE, 1.95 X 1.5, BLACK	6	6	6
15	155956	TUBE, ROUND, .75 OD X .532 ID X .5	8	8	8
16	155971	PIN, SPRING CLIP	2	2	2
17	100576	TOOL BAR, 3 X 3 X 3/16 X 70	1	--	--
17	156778	TUBE, RIDE BAR 90.5	--	1	1
17	155005	TUBE, SQUARE, 3 X 3/16 X 107	--	--	--
18	164318	GANG BAR, 5 TINE, 8 IN, 73"	3	--	--
18	164319	GANG BAR, 6 TINE, 8 IN, 89"	--	3	--
18	164320	GANG BAR, 7 TINE, 8 IN, 105"	--	--	3
19	166336	PLATE, GANG BAR, 3 ROW	2	2	2
20	168763	LINK, TINE ADJUSTMENT, 3 ROW	2	2	2
21	2-095-010017	SCREW, HEX, 1/2-13 UNC X 1, GR5	6	6	6
22	164315	TINE, HARROW, 7/16 X 18	15	18	21

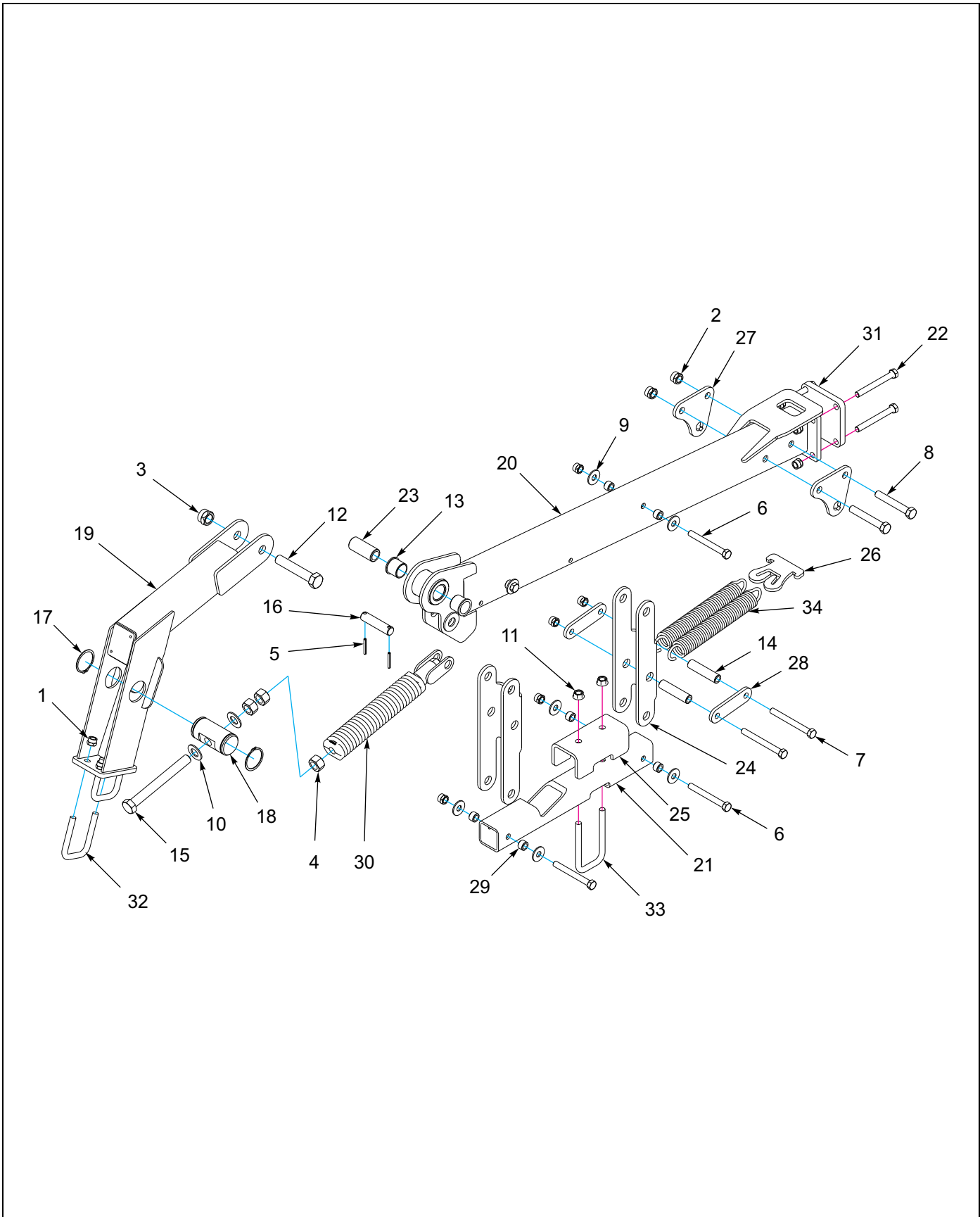


Figure 1-56: Tine & Reel Harrow Arm Assembly - Prior January 2017

Tine & Reel Harrow Arm Assembly - Prior January 2017

ITEM	PART NO.	DESCRIPTION	QTY.
--	168788	HARROW ARM ASSEMBLY, TINE AND REEL	
1	1-512-010005-13	NUT, HEX, SLFLKG, 5/8-11 UNC, GRB	14
2	1-512-010005-15	NUT, HEX, SLFLKG, 3/4-10 GRB	2
3	1-512-010005-19	NUT, HEX, SLFLKG 1-8 UNC, GRB	1
4	1-512-010007-14	NUT, HEX, 1-8 UNC, GR2	3
5	1-647-010004221	ROLL PIN, SLTD, 1/4 X 2	2
6	1-654-010059-16	SCREW, HEX, 5/8-11 UNC X 5-1/2 GR5	4
7	1-654-010059-17	SCREW, HEX, 5/8-11 UNC X 6 GR5	2
8	1-654-010061-15	SCREW, HEX CAP, 3/4-10, UNC X 5 GR5	2
9	1-861-010032-19	WASHER, FLAT 5/8W	8
10	1-861-010032-24	WASHER, FLAT, 1" NARROW ZP	2
11	29SFFL 5811	NUT, FLANGE HEAD, SERR, 5/8-11	2
12	102271	SCREW, HEX, 1-8 UNC X 5-1/2, GR5	1
13	140599	BEARING, FLANGE, 1-1/2	2
14	143971	BUSHING, OPENER CLAMP	2
15	152210	BOLT, SPRING ADJ. 1 X 9	1
16	156785	PIN, 1 X 4-1/4	1
17	158896	SNAP RING, 2-1/2, SHAFT	2
18	164336	PIN, ADJUSTMENT W/ SNAP RING	1
19	166329	ARM, REEL	1
20	192804	ARM, HARROW	1
21	166338	MOUNT, BAR TINE	1
22	139201	SCREW, HX CP 3/4-10UNCX5.50GR8	4
23	168379	BUSHING, PIVOT, 1-1/2 X 3-7/16	1
24	168752	MOUNT BAR	2
25	168753	CONNECTOR, HARROW LINK	1
26	168757	HOOK, SPRING	1
27	168758	BRACKET, SPRING HOOK	2
28	168759	CLAMP PLATE, 2-HOLE	2
29	168762	BUSHING, 1 X .640 X 5/8	8
30	172677	SPING ASSY, WITH ANCHOR	1
31	192807	PLATE, HARROW MOUNTING	1
32	8-102-010012	U BOLT, SHANK CLAMP	2
33	8-102-010043	U BOLT, SPRING CLAMP	1
34	8-720-010011	HARROW SPRING	2

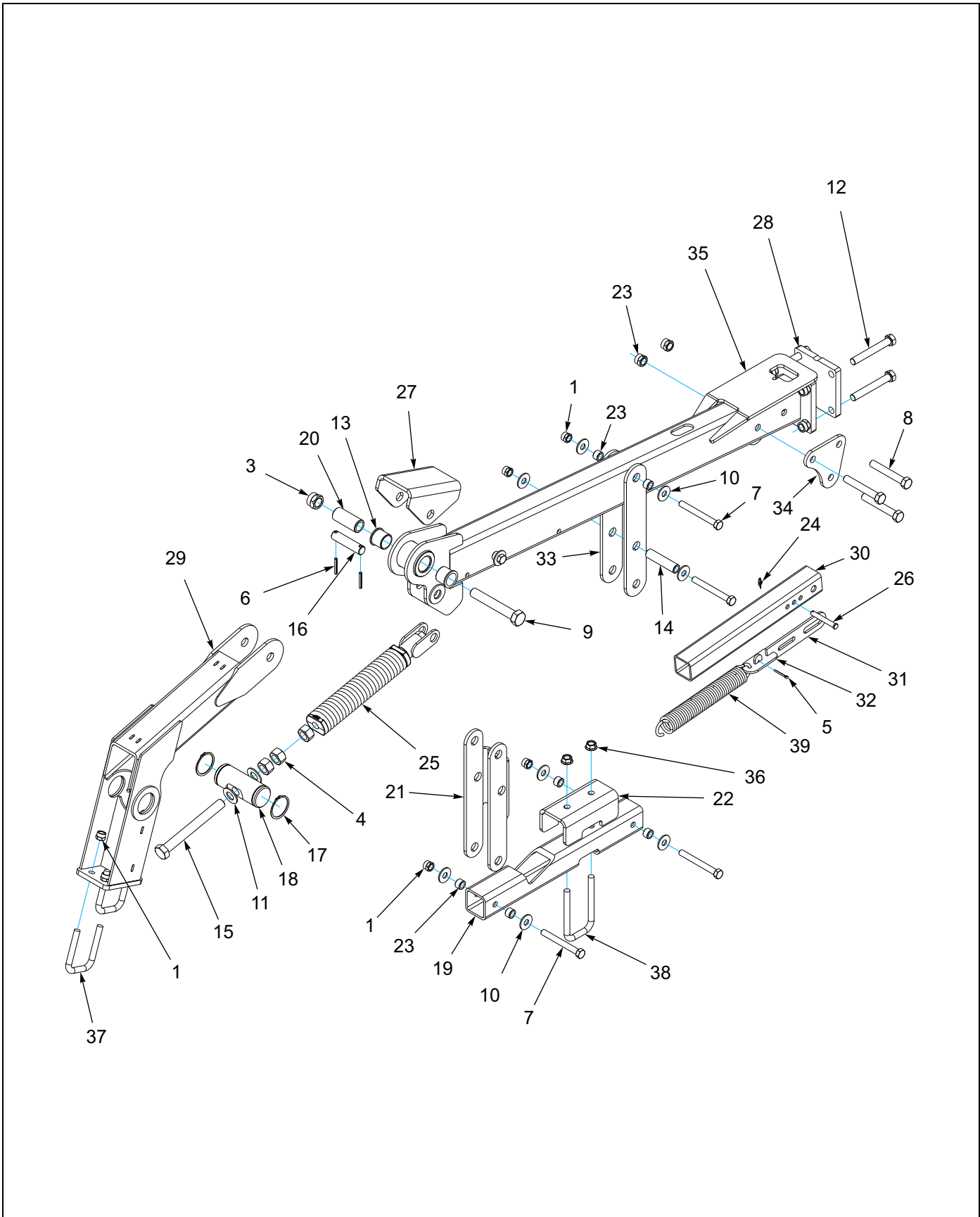


Figure 1-57: Tine & Reel Harrow Arm Assembly - After January 2017

Tine & Reel Harrow Arm Assembly - After January 2017

ITEM	PART NO.	DESCRIPTION	QTY.
--	203098	ARM ASSY TINE/REEL HARROW	
1	1-512-010005-13	NUT,HEX SLFLKG GRB 5/8-11	9
2	1-512-010005-15	NUT,HEX,SLFLKG GRB 3/4-10	7
3	1-512-010005-19	NUT 1-8 HEX SLF-LOCKING GRB	1
4	1-512-010007-14	NUT, HEX 1-8 GR2 ZP	3
5	1-557-010362-51	PIN, COTTER 3/16X1-1/2	1
6	1-647-010004221	PIN,SPRING 1/4X2 SLOTTED	2
7	1-654-010059-16	SCREW,HEX CAP,5/8-11UNCX5.50	5
8	1-654-010061-15	SCREW,HX CP 3/4-10UNCX5 GR5	3
9	1-654-010125-18	SCREW HEX CAP,1-8UNCX6-1/2GR8	1
10	1-861-010032-19	WASHER, FLAT 5/8 W ZP/CD	10
11	1-861-010032-24	WASHER FL 1IN NARROW ZP	2
12	139201	SCREW,HX CP 3/4-10UNCX5.50GR8	4
13	140599	BEARING, FLANGE 1-1/2	2
14	143971	BUSHING, OPENER CLAMP	1
15	152210	BOLT, ADJ, 1 X 9	1
16	156785	PIN 1 X 4-1/4	1
17	158896	SNAP RING, 2-1/2 SHAFT	2
18	158897	PIN, ADJUSTMENT	1
19	166338	MOUNT, TINE BAR	1
20	168739	BUSHING PIVOT 1-1/2 X 3-7/16	1
21	168752	MOUNT, BAR	1
22	168753	CONNECTOR, HARROW LINK	1
23	168762	BUSHING, 1 X .640 X 5/8	8
24	172673	WRAP AROUND LOCKING COTTER	1
25	172677	SPRING ASSY, W/ANCHOR	1
26	176625	PIN, CLEVIS 1/2 X 3-1/2	1
27	191459	STOP, HARROW ARM	1
28	192807	MOUNTING PLATE, HARROW	1
29	199359	ARM WLDMT REEL	1
30	199376	TUBE, HARROW SPRING	1
31	199377	STOP, HARROW SPRING	1
32	199378	HOOK SPRING	1
33	199389	MOUNT TINE BAR	2
34	199390	BRACKET, SPRING HOOK	2
35	199392	ARM WLDMT HARROW	1
36	29SFFL 5811	'NUT,FLANGE HEAD LOCK5/8-11UNC	2
37	8-102-010012	U BOLT	2
38	8-102-010043	U-BOLT, SPING CLAMP	1
39	8-720-010011	HARROW SPRING	1

Reel Assemblies

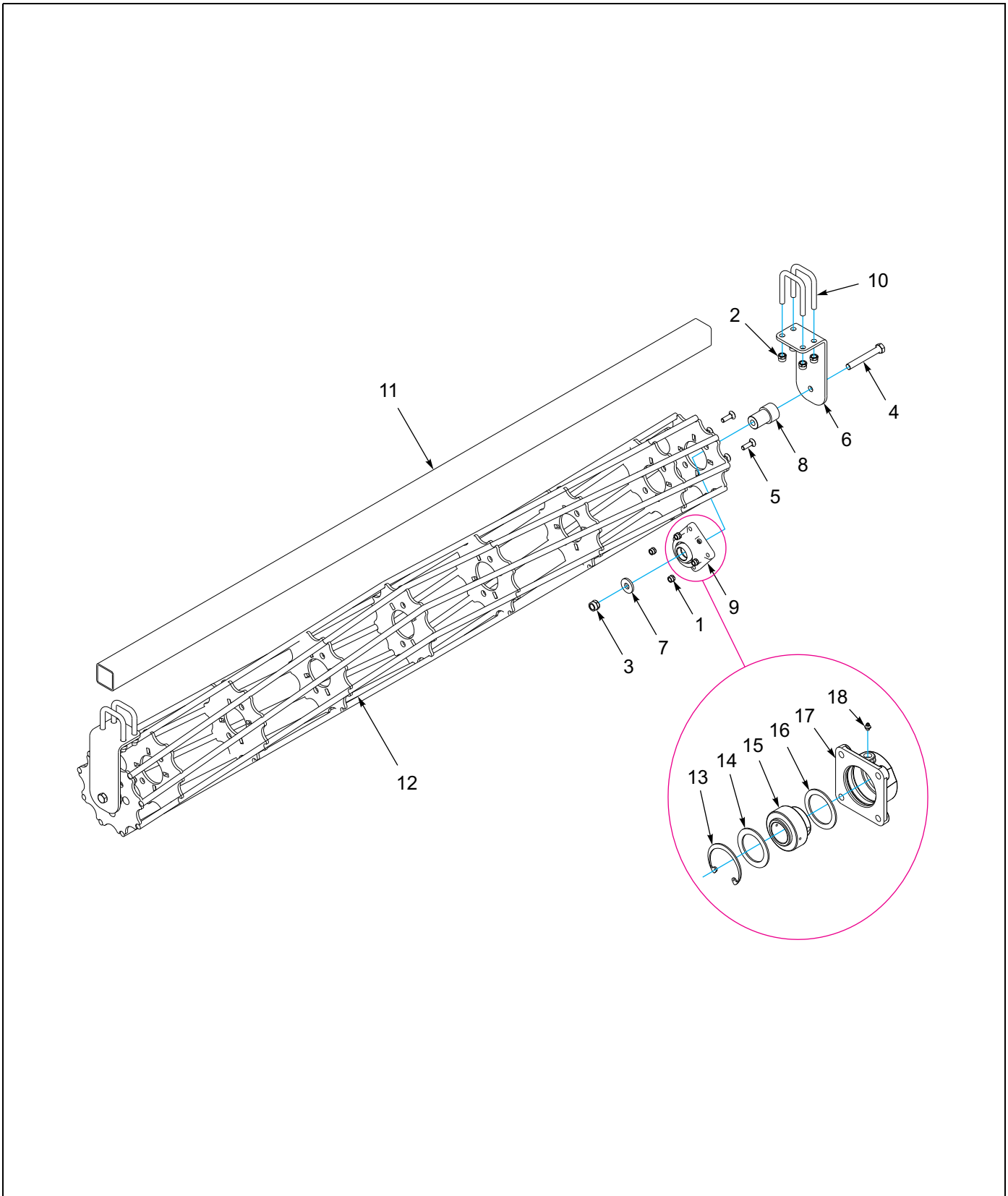


Figure 1-58: Reel Assembly - Bushing

Reel Assembly - Bushing

ITEM	PART NO.	DESCRIPTION	QTY.
--	168728	REEL ASSEMBLY, 12 DIA X 75"	
--	168729	REEL ASSEMBLY, 12 DIA X 90"	
--	168730	REEL ASSEMBLY, 12 DIA X 105"	
1	1-512-010005-09	NUT, HEX, SLFLKG, 1/2-13 UNC, GRB	8
2	1-512-010005-13	NUT, HEX, SLFLKG, GRB 5/8-11	8
3	1-512-010005-15	NUT, HEX, SLFLKG GRB 3/4-10	2
4	1-654-010061-16	SCREW, HEX, 3/4-10 UNC X 5-1/2, GR5	2
5	1-654-010070-04	SCREW, RDH, SQ NCK, 1/2-13 X 1-3/4	8
6	166346	BEARING MOUNT, REEL	2
7	168750	WASHER, FLAT, 3/4	2
8	176631	BUSHING, REEL BEARING	2
9	176656	BEARING ASSY, 4 BOLT	2
10	8-102-010012	U BOLT, SHANK CLAMP	4
11	166341	GANG BAR, REEL 77" (USED WITH 168728)	1
11	166342	GANG BAR, REEL 92" (USED WITH 168729)	1
11	166343	GANG BAR, REEL 107" (USED WITH 168730)	1
12	176635	REEL, 12 DIA X 75" (USED WITH 168728)	1
12	176636	REEL, 12 DIA X 90" (USED WITH 168729)	1
12	176637	REEL, 12 DIA X 105" (USED WITH 168730)	1
13	8-630-010001	RING RETAINING	1
14	8-861-010009	WASHER FLAT	1
15	1-065-010012	BEARING CYLINDRICAL 1-3/4 ID	1
16	8-861-010008	WASHER FLAT	1
17	176655	HOUSING, BEARING 4 BOLT	1
18	1-298-010001-1	ZERK FITTING 1/4 SAE	1

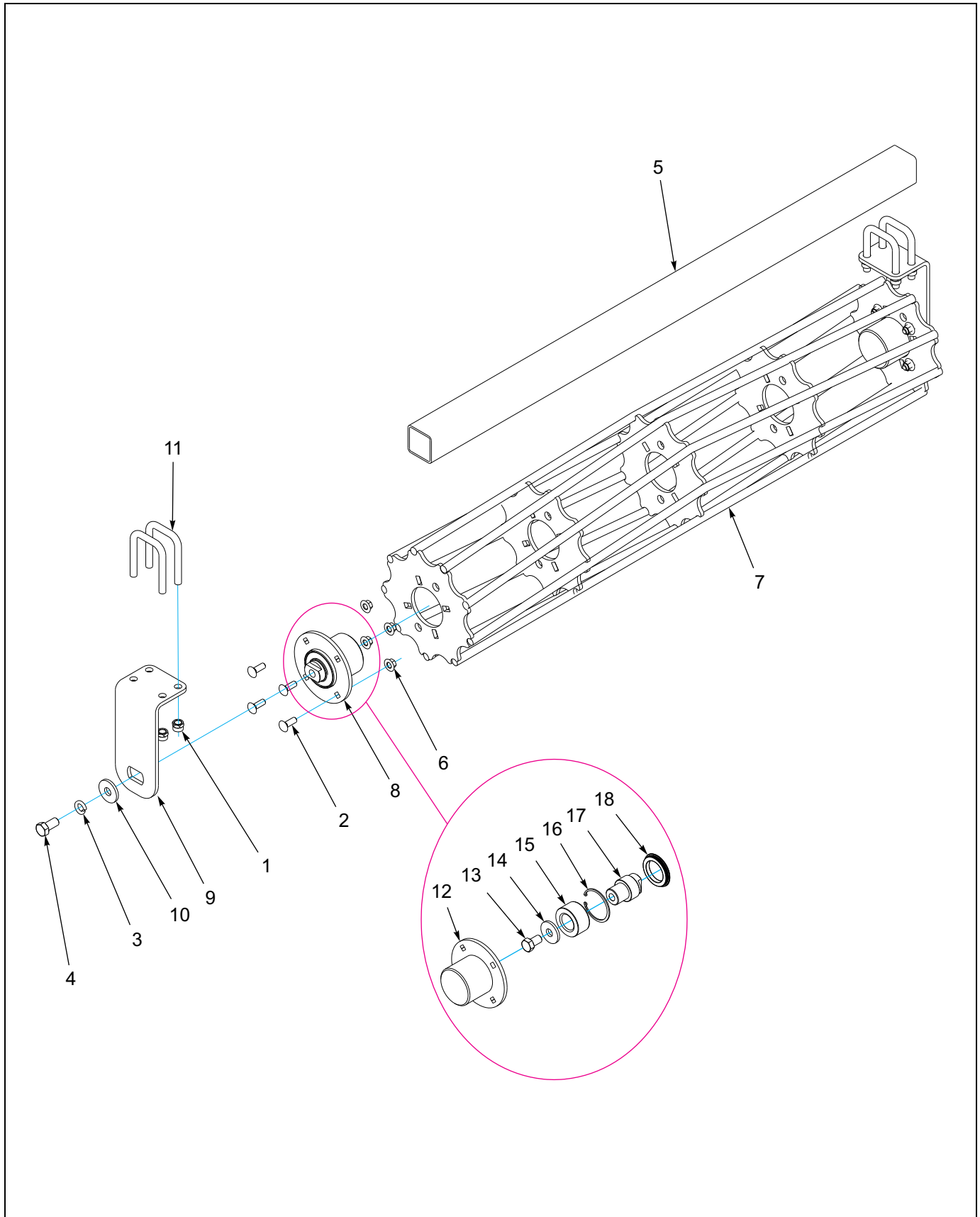


Figure 1-59: Reel Assembly - Hub

Reel Assembly - Hub

ITEM	PART NO.	DESCRIPTION	QTY.
--	200253	REEL ASSY 12 DIA X 60"	
--	200254	REEL ASSY 12 DIA X 75"	
--	200255	REEL ASSY 12 DIA X 60"	
--	200256	REEL ASSY 12 DIA X 105"	
--	200257	REEL ASSY 12 DIA X 105"	
1	1-512-010005-13	NUT,HEX SLFLKG GRB 5/8-11	8
2	1-654-010070-03	SCREW RDHD SQNK1/2-13X1-1/2	8
3	1-861-010034-14	WASHER 9/16,LKG,HELICAL SPG	2
4	108705	SCREW,HEXCAP,3/4-10X1-1/2 GR8	2
5	166340	GANG BAR REEL 62 L (USED WITH 200253)	1
5	166341	GANG BAR REEL 77 L (USED WITH 200254)	1
5	166342	GANG BAR REEL 92 L (USED WITH 200255)	1
5	166343	GANG BAR REEL 107 L (USED WITH 200256)	1
5	166344	GANG BAR REEL 122 L (USED WITH 200257)	1
6	172509	NUT,1/2-13 WIDE FLNG TOP LCK F	8
7	176634	REEL WLDMT 12 DIA X 60 (USED WITH 200253)	1
7	176635	REEL WLDMT 12 DIA X 75 (USED WITH 200254)	1
7	176636	REEL WLDMT 12 DIA X 90 L (USED WITH 200255)	1
7	176637	REEL WLDMT 12 DIA X 105L (USED WITH 200256)	1
7	176638	REEL WLDMT 12 DIA X 120 (USED WITH 200257)	1
8	200222	HUB ASSY REEL	2
9	200238	BEARING MOUNT, REEL	2
10	200259	WASHER, 3/4 HEAVY - 2-1/4	2
11	8-102-010012	U BOLT	4
12	200221	HUB WLDMT REEL	1
13	129263	SCREW HEX CAP 3/4-10 X 1-1/4	1
14	200259	WASHER, 3/4 HEAVY - 2-1/4	1
15	174526	BEARING, DOUBLE TAPER RLLR	1
16	174532	INTERNAL SNAP RING	1
17	200218	SPINDLE REEL BEARING	1
18	185757	SEAL, MAINT FREE HUB HSL	1

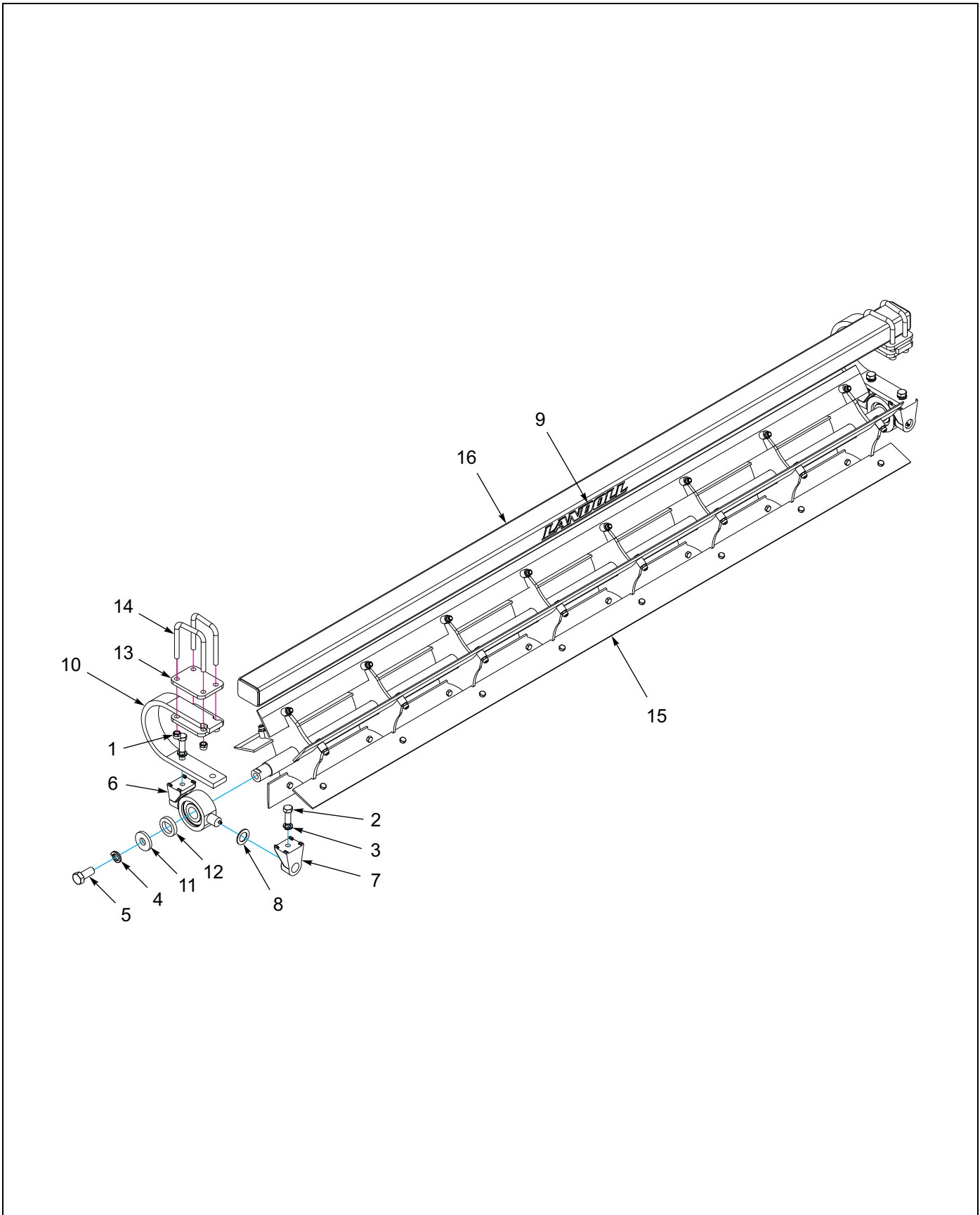


Figure 1-60: Reel & Gangbar Assembly

Reel & Gangbar Assembly

ITEM	PART NO.	DESCRIPTION	QTY.
--	187511	REEL/GANGBAR ASSY, 68-1/2"	
--	154407	REEL/GANGBAR ASSY, 82"	
--	154409	REEL/GANGBAR ASSY, 91"	
--	172529	REEL/GANGBAR ASSY, 97"	
--	154410	REEL/GANGBAR ASSY, 114"	
1	1-512-010005-13	NUT, HEX LOCK 5/8-11 GRB	8
2	1-654-010032-05	SCREW, HEX HEAD CAP 3/4-10 X 2 GR8	4
3	1-861-010034-17	WASHER, SPLIT LOCK 3/4	4
4	1-861-010034-21	WASHER, SPLIT LOCK 1"	2
5	137943	SCREW, HEX, 1-8 X 2-1/4 GR5	2
6	140477	BEARING, DISC 1.775 ID ASSEMBLY	2
7	140479	MOUNT, TRUNNION BEARING	4
8	140480	WASHER, TRUNNION	2
9	148337	ATTACHMENT DECAL, LANDOLL	1
10	153716	SHANK, STRAIGHT, 3/4 X 2-1/2	2
11	154185	WASHER, 3/8	2
12	154186	WASHER, FLAT TOP	2
13	154393	PLATE, SHANK MOUNT	4
14	6-102-010009	U-BOLT	4
15	187512	REEL ASSEMBLY, 68-1/2" BLADE (USED WITH 187511)	1
15	154181	REEL ASSEMBLY, 82" BLADE (USED WITH 154407)	1
15	154184	REEL ASSEMBLY, 91" BLADE (USED WITH 154409)	1
15	172528	REEL ASSEMBLY, 97" BLADE (USED WITH 172529)	1
15	154182	REEL ASSEMBLY, 114" BLADE (USED WITH 154410)	1
16	187515	GANG BAR, 68-1/2" - REEL, 68-1/2" (USED WITH 187511)	1
16	154656	GANG BAR, 92" - REEL, 82" (USED WITH 154407)	1
16	154658	GANG BAR, 101" - REEL, 91" (USED WITH 154409)	1
16	155544	GANG BAR, 107" - REEL, 97" (USED WITH 172529)	1
16	154659	GANG BAR, 124" - REEL, 114" (USED WITH 154410)	1

Spike Bar Assemblies

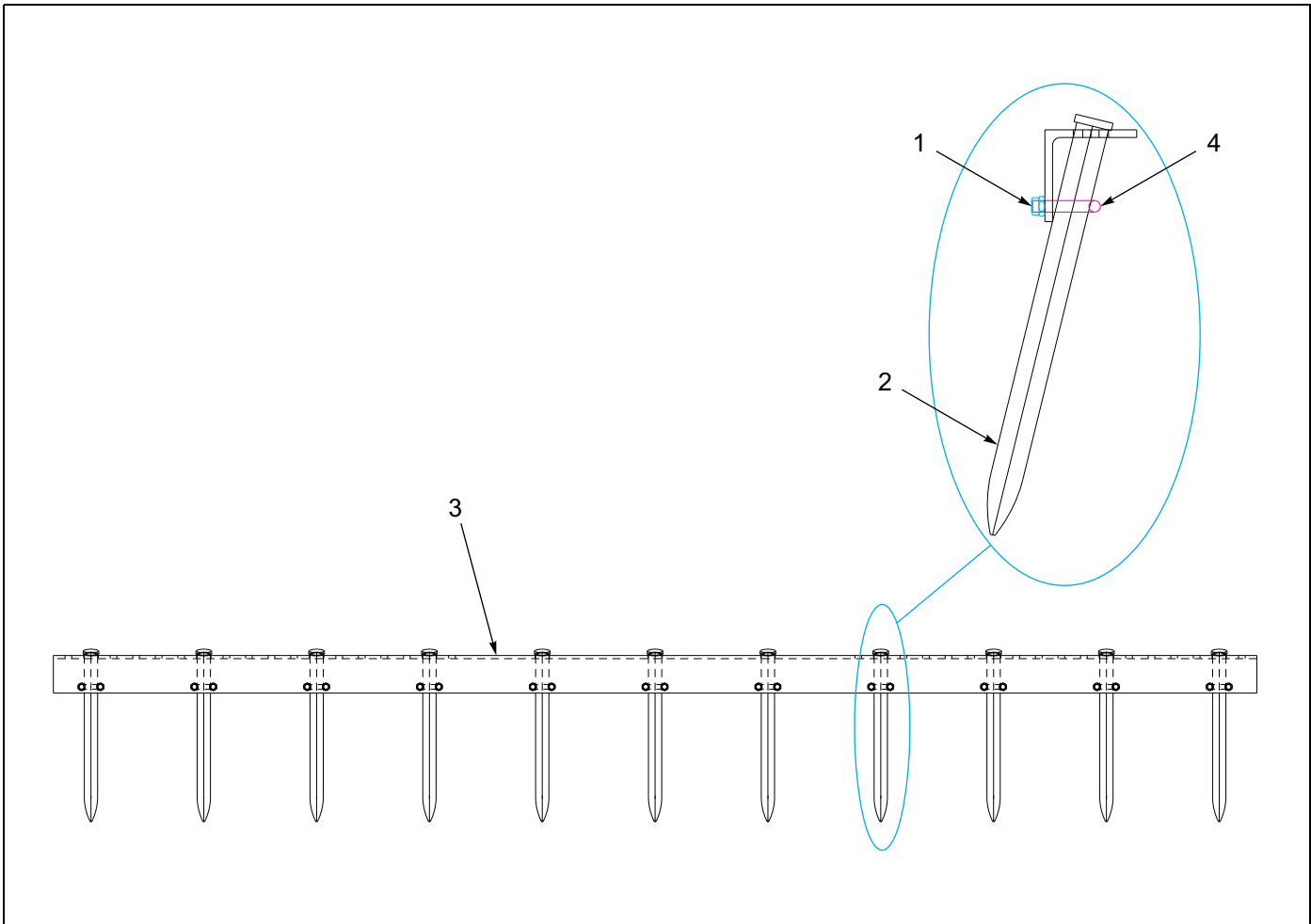


Figure 1-61: Spike Bar Assembly 8-13 Tooth, 9 SP

Spike Bar Assembly 8-13 Tooth, 9 SP

ITEM	PART NO.	DESCRIPTION	QTY.						
1	186187	SPIKE BAR ASSY, 8 TOOTH, 9 SP	*						
1	186188	SPIKE BAR ASSY, 9 TOOTH, 9 SP		*					
1	186189	SPIKE BAR ASSY, 10 TOOTH, 9 SP			*				
1	186190	SPIKE BAR ASSY, 11 TOOTH, 9 SP				*			
1	186191	SPIKE BAR ASSY, 12 TOOTH, 9 SP					*		
1	186192	SPIKE BAR ASSY, 13 TOOTH, 9 SP						*	
1	1-512-010005-05	NUT, HEX, SLFLKG, 3/8-16, UNC GRB	16	18	20	22	24	26	
2	166148	SPIKE, TOOTH, 3/4 SQ X 14	8	9	10	11	12	13	
3	186178	SPIKE BAR, 8T, 69, 9 SP	1	--	--	--	--	--	
3	186179	SPIKE BAR, 9T, 78, 9 SP	--	1	--	--	--	--	
3	186180	SPIKE BAR, 10T, 87, 9 SP	--	--	1	--	--	--	
3	186181	SPIKE BAR, 11T, 96, 9 SP	--	--	--	1	--	--	
3	186182	SPIKE BAR, 12T, 105, 9 SP	--	--	--	--	1	--	
3	186183	SPIKE BAR, 13T, 114, 9 SP	--	--	--	--	--	1	
4	8-102-010017	U-BOLT, SPIKE ANCHOR	8	9	10	11	12	13	

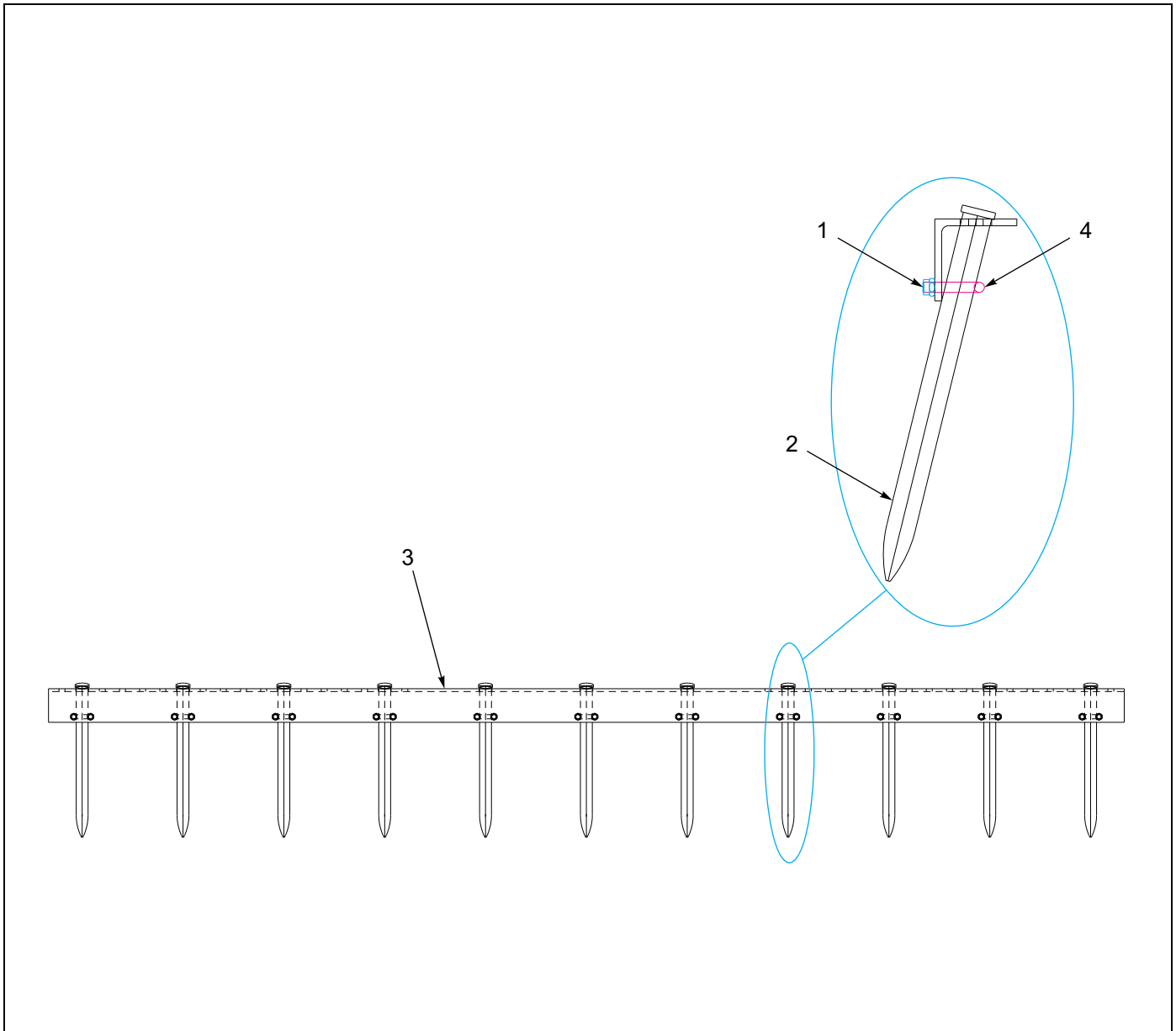


Figure 1-62: Spike Bar Assembly 10 & 12-14 Tooth

Spike Bar Assembly 10 & 12-14 Tooth

ITEM	PART NO.	DESCRIPTION	QTY.			
--	189417	SPIKE BAR ASSY, 10 TOOTH	*			
--	189419	SPIKE BAR ASSY, 12TOOTH		*		
--	189420	SPIKE BAR ASSY, 13 TOOTH			*	
--	189421	SPIKE BAR ASSY, 14 TOOTH				*
1	1-512-010005-05	NUT, HEX, SLFLKG, 3/8-16, UNC GRB	20	24	26	22
2	166148	SPIKE, TOOTH, 3/4 SQ X 14	10	12	13	11
3	189404	SPIKE BAR, 10 TOOTH, 76	1	--	--	--
3	189406	SPIKE BAR, 12 TOOTH, 92	--	1	--	--
3	189407	SPIKE BAR, 13 TOOTH, 100	--	--	1	--
3	189408	SPIKE BAR, 14 TOOTH, 108	--	--	--	1
4	8-102-010017	U-BOLT, SPIKE ANCHOR	10	12	13	14

Fold Hydraulic Assemblies

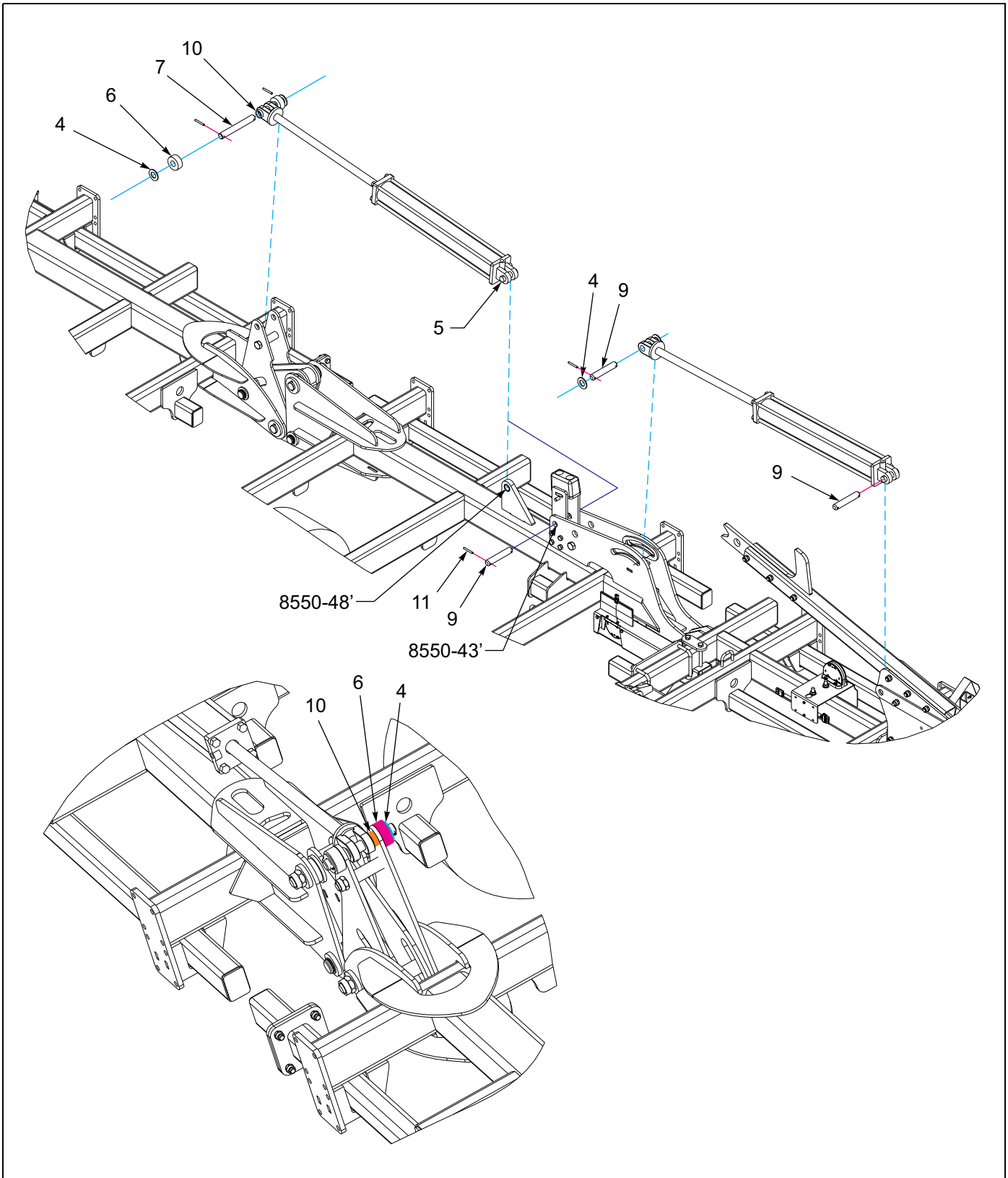
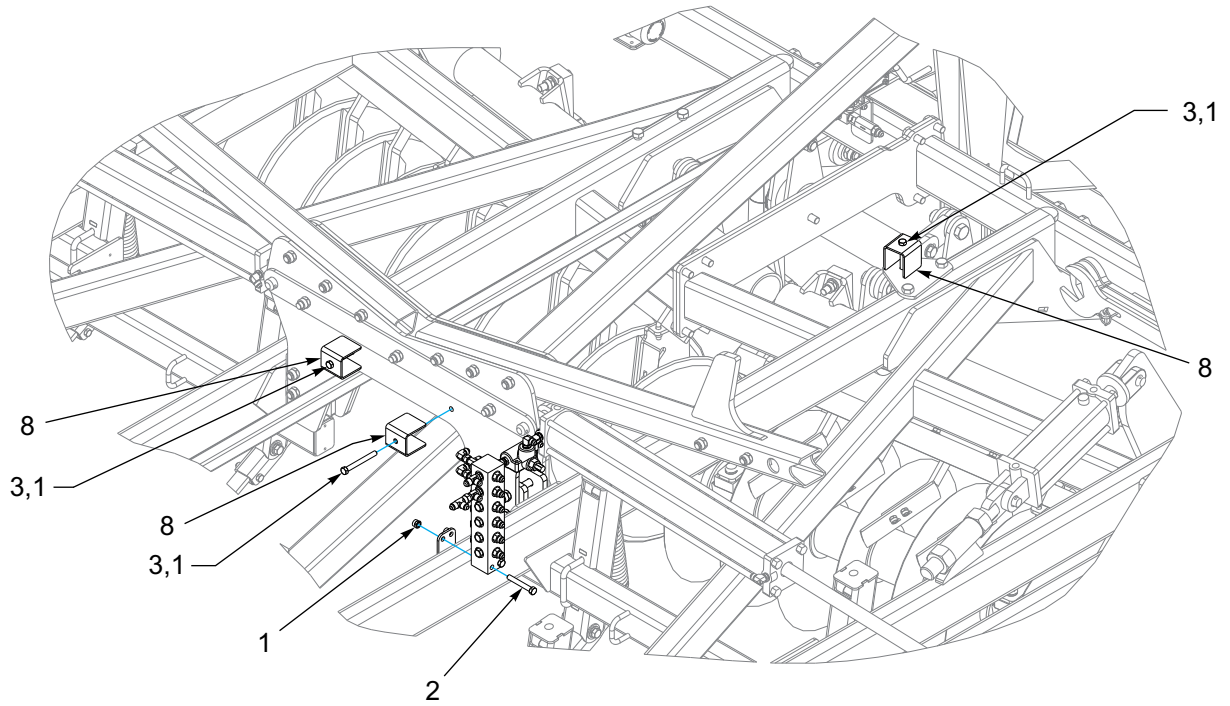
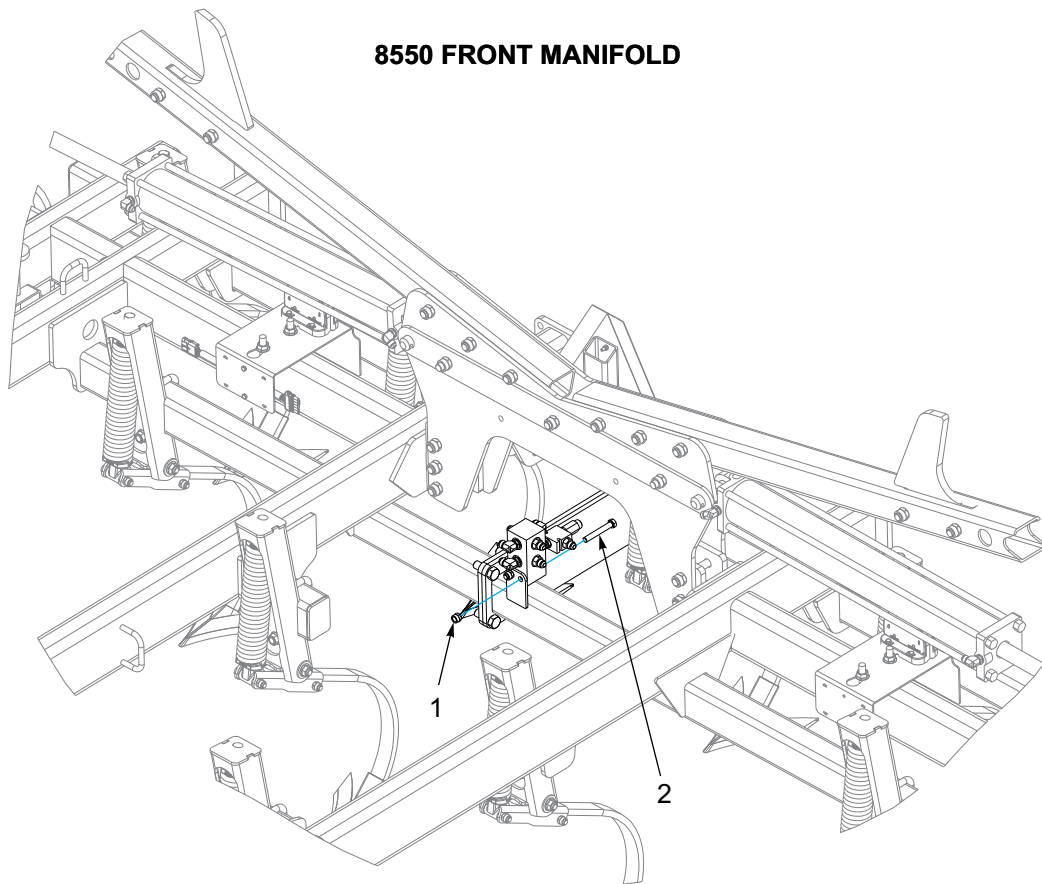


Figure 1-63: Fold Hydraulic Assembly Details (1 of 2)



8550 FRONT MANIFOLD



8550 REAR MANIFOLD

Figure 1-64: Fold Hydraulic Assembly Details (2 of 2)

Fold Hydraulic Assembly Details

ITEM	PART NO.	DESCRIPTION	QTY.
1	1-512-010005-09	NUT,HEX,SLFLKG, 1/2-13 GRB	8
2	1-654-010055-11	SCREW,HX CP 1/2-13UNCX3-1/2	4
3	1-654-010055-14	SCREW,HX CP,1/2-13UNCX4-1/2G5	4
4	116110	BRACKET 5-1/2X3-1/4,HITCH WLT	2
5	142122	CLEVIS PIN	1
6	164564	ROLLER, WING FOLD	1
7	164565	PIN, FOLD	1
8	165266	CLAMP, HOSE HOLDER	2
9	170291	PIN, 1-1/4 X 7	4
10	173018	SPACER, WING FOLD, 1/2" WIDE	1
11	111789	PIN,ROLL #190100057 1500	2

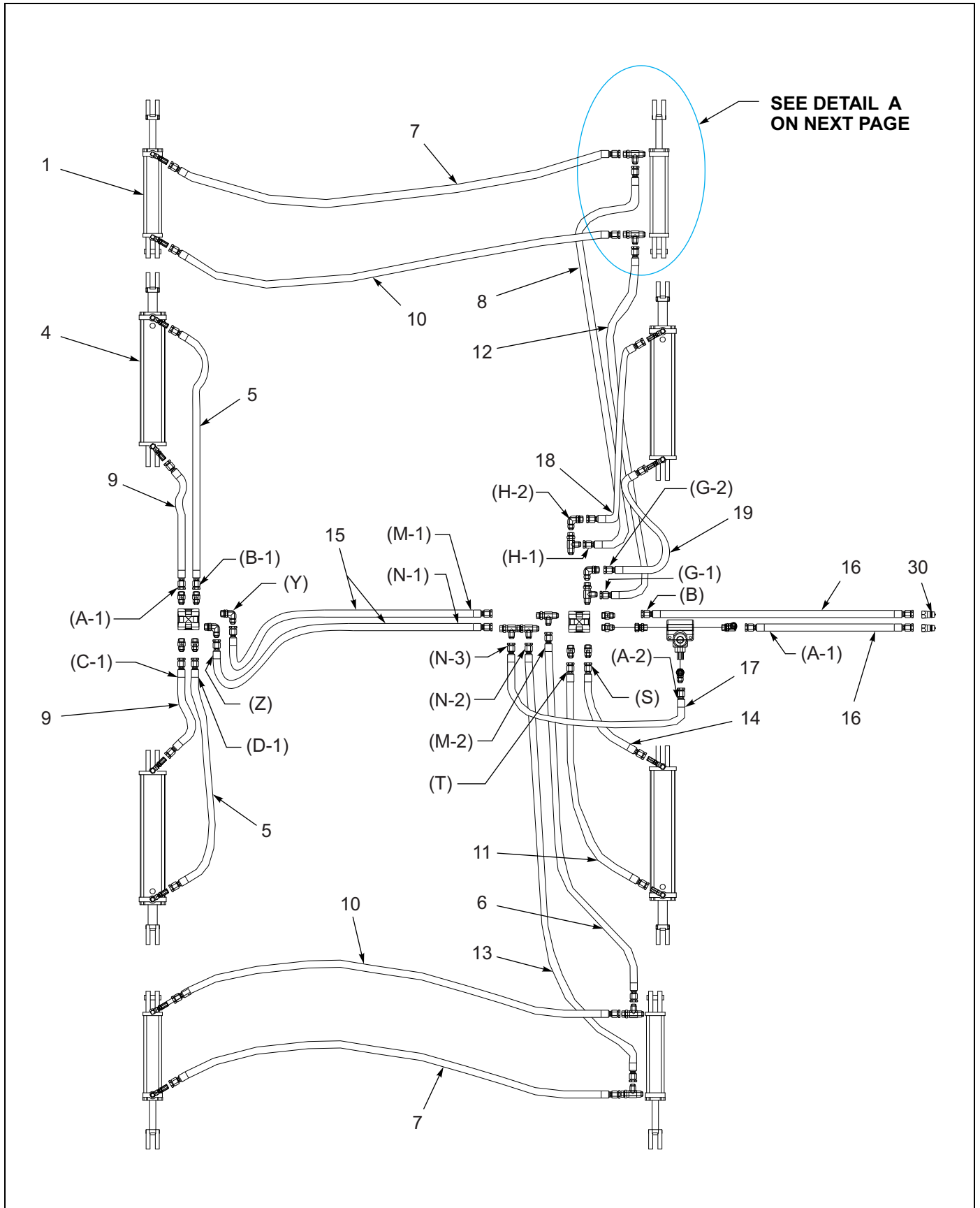


Figure 1-65: Fold Hydraulic Assembly - 38' (1 of 2)

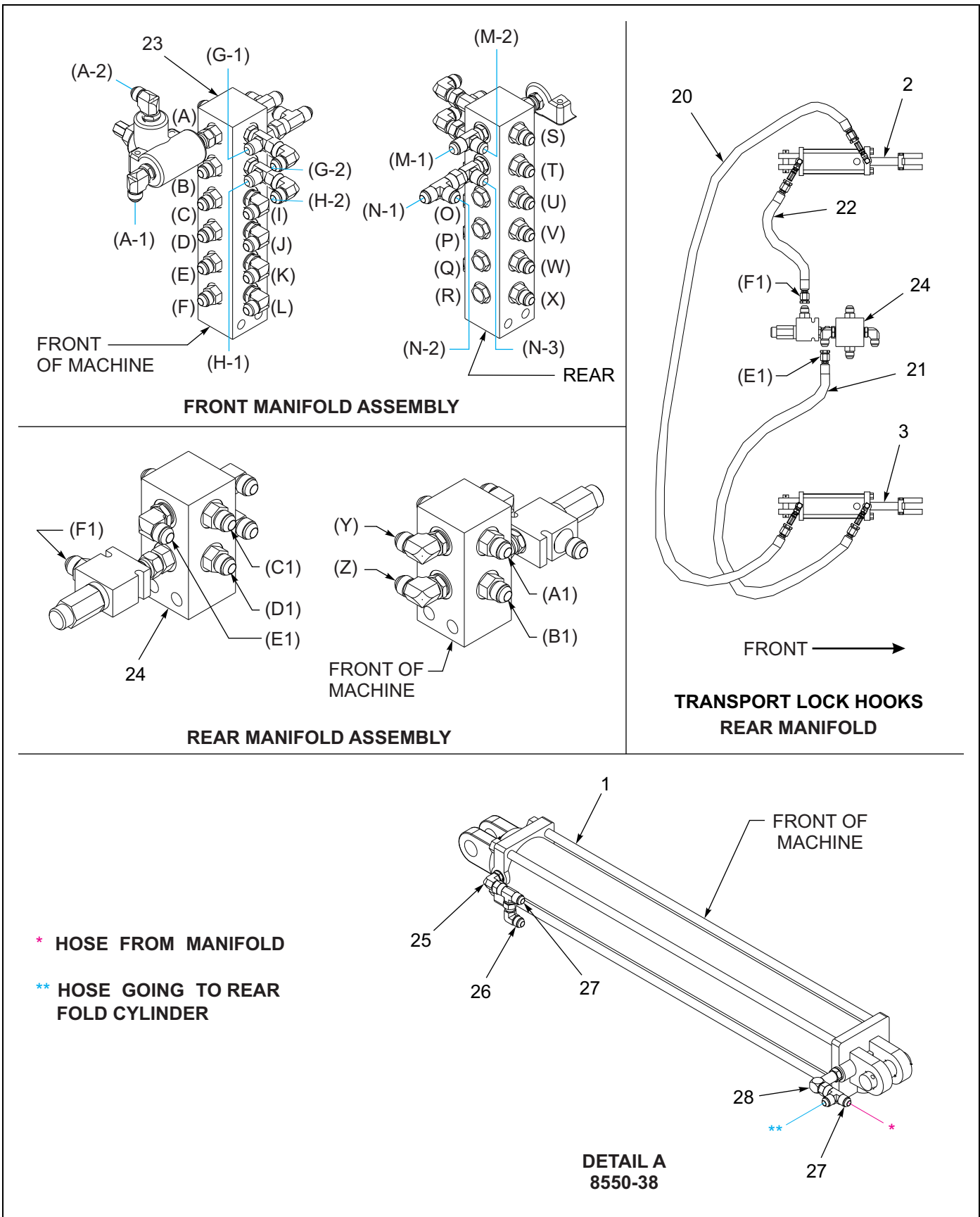


Figure 1-66: Fold Hydraulic Assembly - 38' (2 of 2)

Fold Hydraulic Assembly - 38'

ITEM	PART NO.	DESCRIPTION	QTY.
1	140472	CYLINDER 4X30 1-1/2 ROD (SEE PAGE 1-131)	
2	145203	CYLINDER 3-1/2 X 8 REPHASE (SEE PAGE 1-122)	
3	145204	CYLINDER 3-1/4 X 8 REPHASE	
4	167575	CYLINDER, 4-1/2 X 30, 2DIA ROD (SEE PAGE 1-132)	
5	71508990	HOSE ASM 3/8 X60	
6	156945	HOSE ASSY 3/8X100 #8JIC SWIV	
7	144343	HOSE ASSY 3/8X165 #8 JIC SWIV	
8	141889	HOSE ASSY 3/8X159 #8JIC SWIV	
9	137602	HOSE ASSY, 3/8X 27, #8JIC SWVL	
10	137600	HOSE ASSY, 3/8X130, #8JIC SWVL	
11	71508984	HOSE .38X42	
12	137598	HOSE ASSY #6 .38X123.25HIPRES	
13	141881	HOSE ASSY 3/8X136 #8 JIC SWIV	
14	147582	HOSE ASSY 3/8X24 #8 JIC SWIV	
15	1422176	HOSE ASSY 3/8X116,#8 JIC SWIV	
16	188774	HOSE ASSY,3/8#8JICX#8ORB 270"	
17	137601	HOSE ASSY, 3/8X20, #8JIC SWVL	
18	71508988	HOSE ASM 3/8 X80	
19	117259	HOSE ASSY 3/8X48 #8JIC	
20	71508983	HOSE-HYD .38X182	
21	116491	HOSE 3/8X96 #8 JIC SW	
22	71508987	HOSE ASM 3/8 X 86	
23	191988	MANIFOLD, FRONT 8550 (SEE PAGE 1-120)	
24	190927	MANIFOLD, REAR 8550 (SEE PAGE 1-121)	
25	141826	ELBOW 90 1/16 RES	
26	2071-8-8S	ADAPTER90 #8 FLR SWIVEL #8JIC	
27	203102-8-8S	ADPTR,TEE,1/2 #8JICX#8JIC SWV	
28	1400548	ELBOW EX LG	
29	155529	HOSE WRAP, YELLOW (NOT SHOWN)	
30	141828	COUPLER,MALE 3/4-16 O-RING	

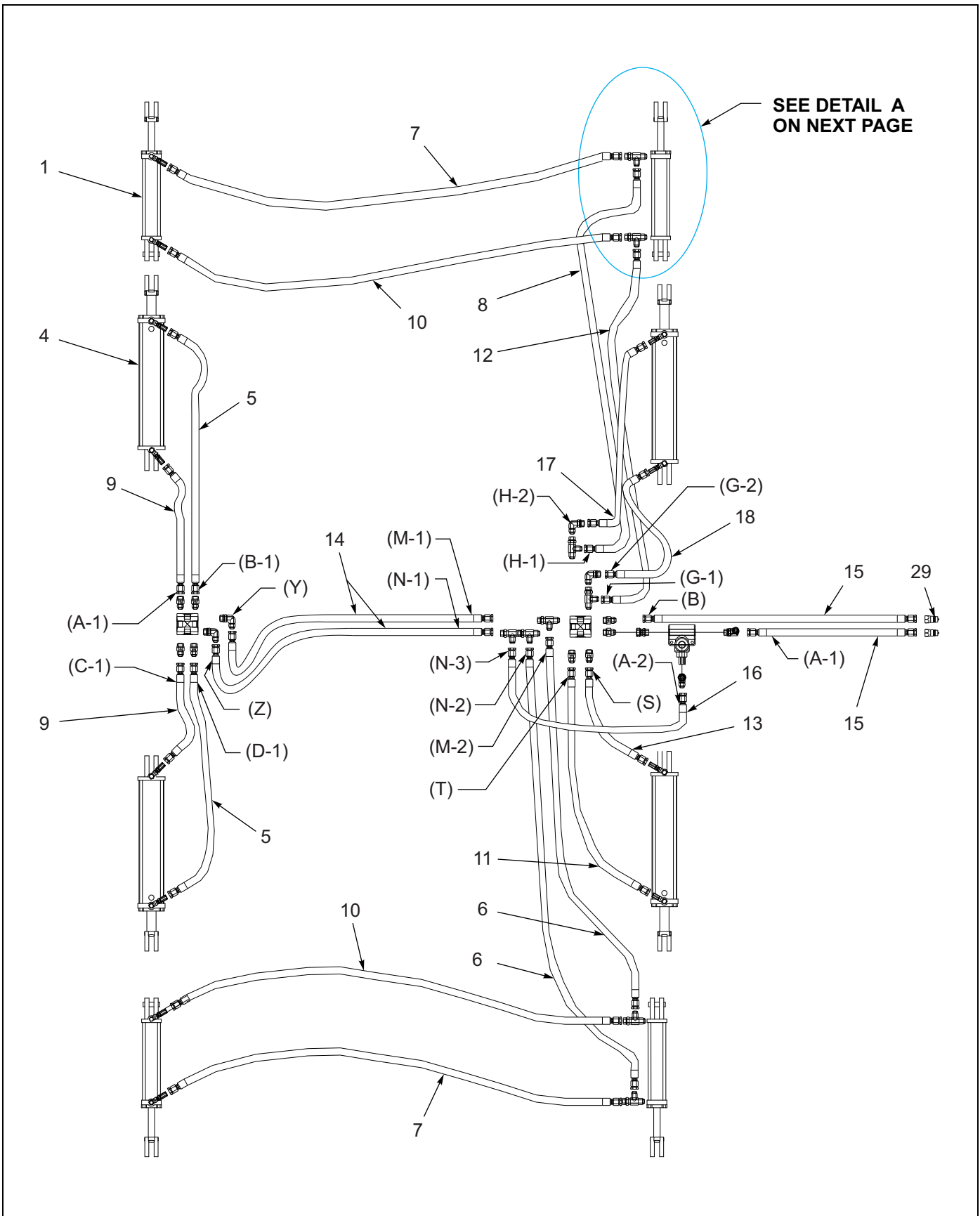


Figure 1-67: Fold Hydraulic Assembly - 43' (1 of 2)

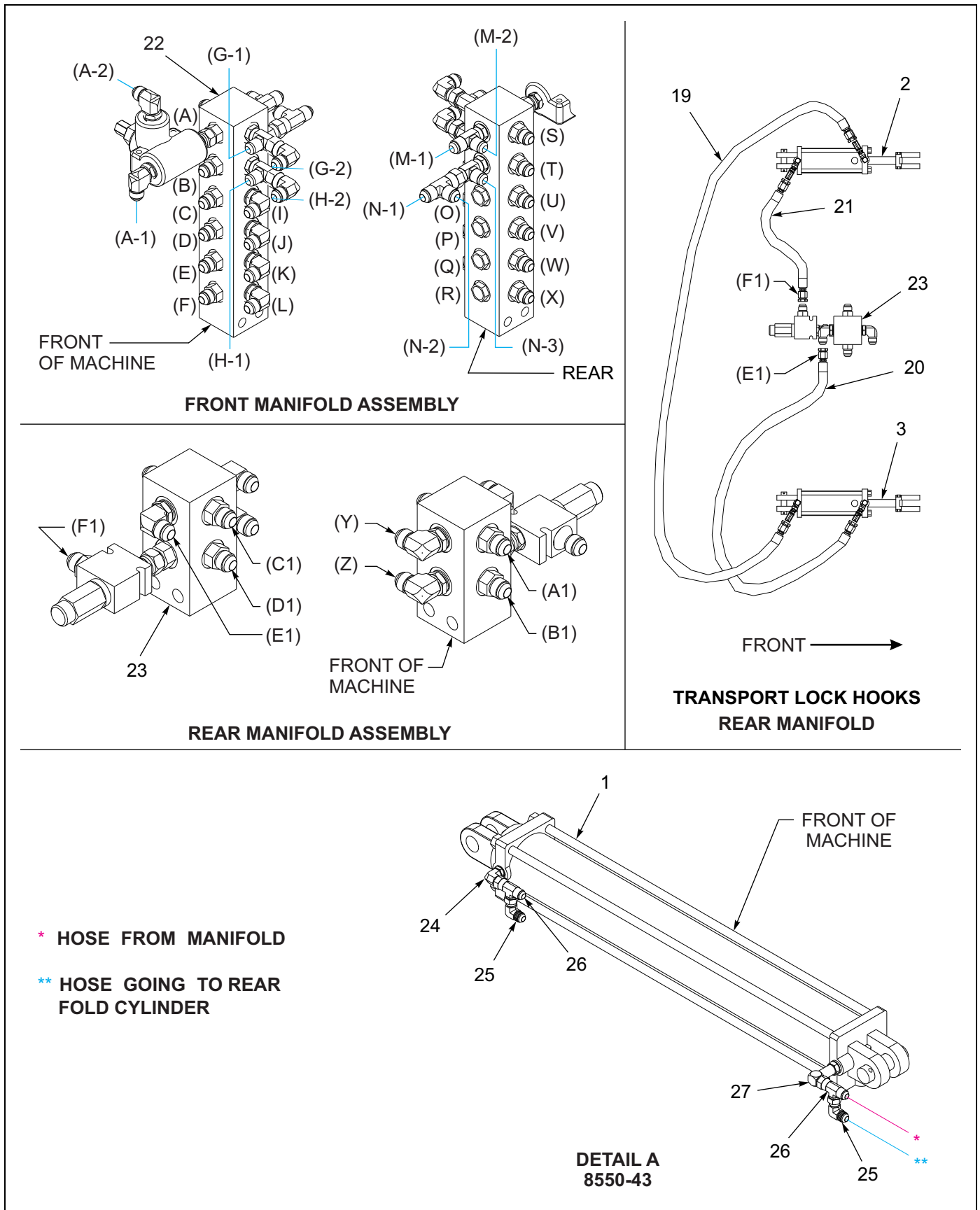


Figure 1-68: Fold Hydraulic Assembly - 43' (2 of 2)

Fold Hydraulic Assembly - 43'

ITEM	PART NO.	DESCRIPTION	QTY.
1	140472	CYLINDER 4X30 1-1/2 ROD (SEE PAGE 1-131)	
2	145203	CYLINDER 3-1/2 X 8 REPHASE (SEE PAGE 1-122)	
3	145204	CYLINDER 3-1/4 X 8 REPHASE	
4	167575	CYLINDER, 4-1/2 X 30, 2DIA ROD (SEE PAGE 1-132)	
5	71508990	HOSE ASM 3/8 X60	
6	137598	HOSE ASSY 3/8X123#8JIC SWIV	
7	117163	HOSE ASSY 3/8X196 #8 JIC SWIV	
8	150273	HOSE ASSY 3/8X185 #8JIC SWIV	
9	137602	HOSE ASSY, 3/8X 27, #8JIC SWVL	
10	116492	HOSE ASSY, 3/8X128, #8JIC SWVL	
11	71508984	HOSE .38X42	
12	144342	HOSE ASSY #6 .38X123.25HIPRES	
13	147582	HOSE ASSY 3/8X24 #8 JIC SWIV	
14	1422176	HOSE ASSY 3/8X116,#8 JIC SWIV	
15	188774	HOSE ASSY,3/8#8JICX#8ORB 270"	
16	137601	HOSE ASSY, 3/8X20, #8JIC SWVL	
17	71508988	HOSE ASM 3/8 X80	
18	117259	HOSE ASSY 3/8X48 #8JIC	
19	71508983	HOSE-HYD .38X182	
20	116491	HOSE 3/8X96 #8 JIC SW	
21	71508987	HOSE ASM 3/8 X 86	
22	191988	MANIFOLD, FRONT 8550 (SEE PAGE 1-120)	
23	190927	MANIFOLD, REAR 8550 (SEE PAGE 1-121)	
24	141826	ELBOW 90 1/16 RES	
25	2071-8-8S	ADAPTER90 #8 FLR SWIVEL #8JIC	
26	203102-8-8S	ADPTR,TEE,1/2 #8JICX#8JIC SWV	
27	1400548	ELBOW EX LG	
28	155529	HOSE WRAP, YELLOW (NOT SHOWN)	
29	141828	COUPLER,MALE 3/4-16 O-RING	

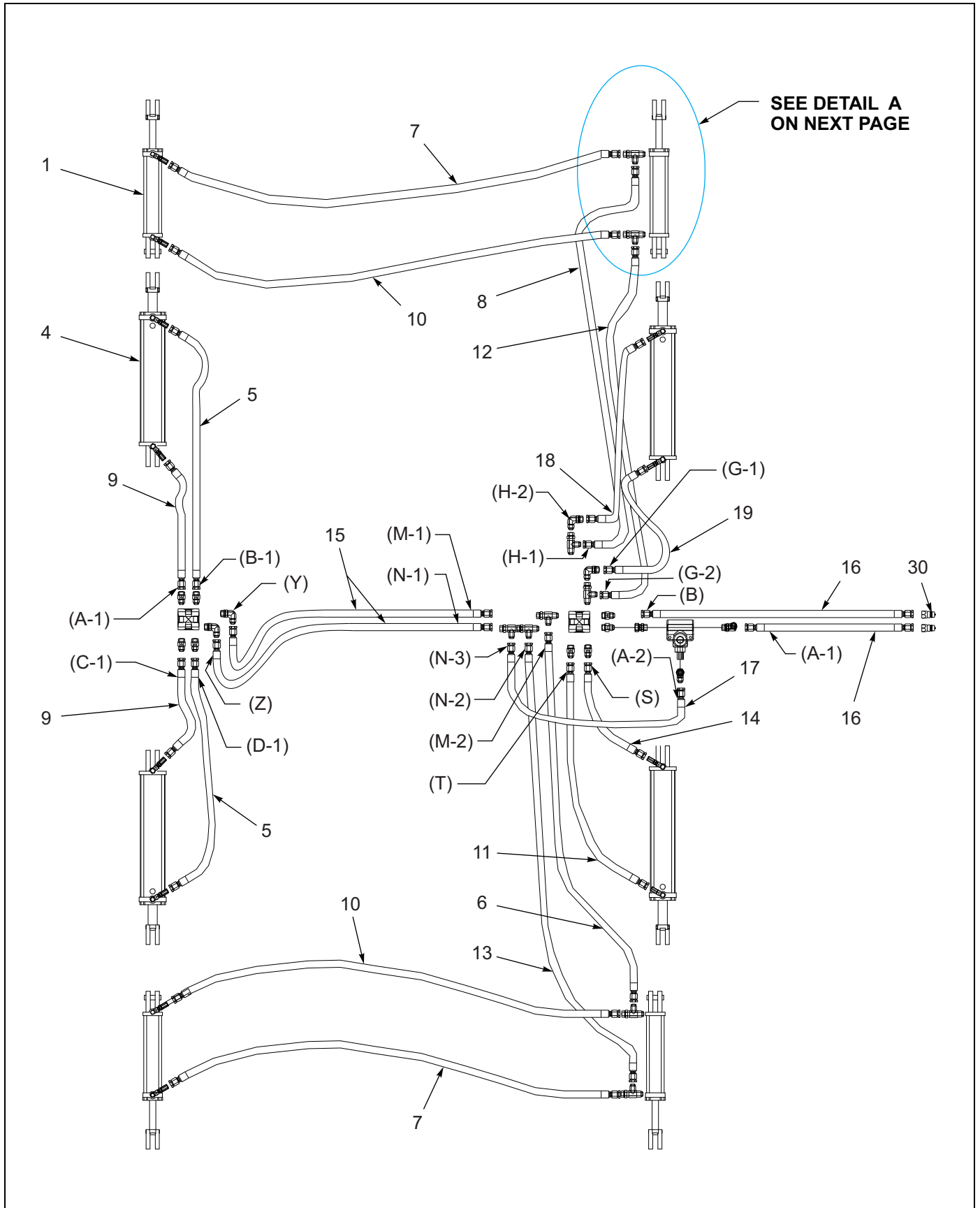


Figure 1-69: Fold Hydraulic Assembly - 48' (1 of 2)

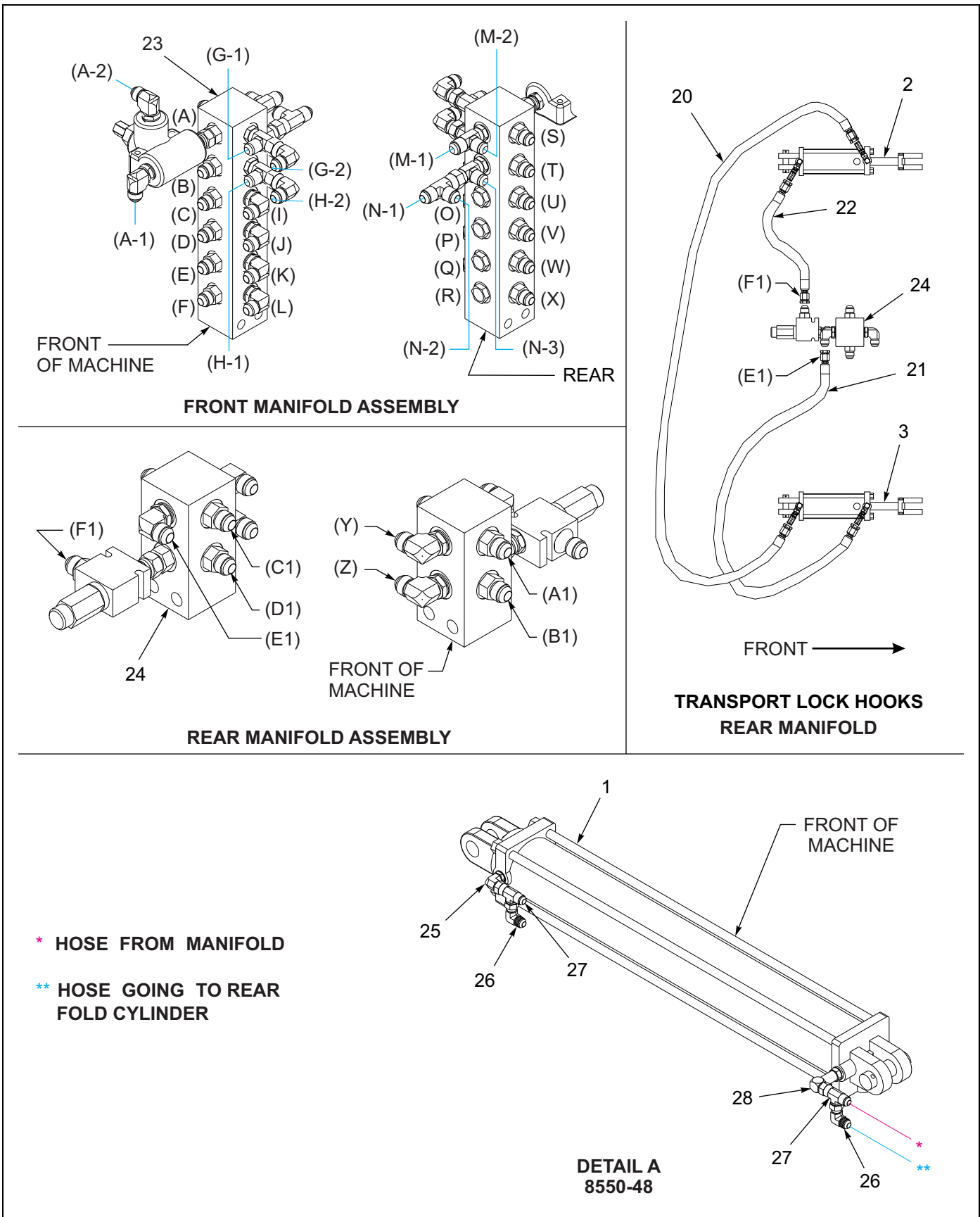


Figure 1-70: Fold Hydraulic Assembly - 48' (2 of 2)

Fold Hydraulic Assembly - 48'

ITEM	PART NO.	DESCRIPTION	QTY.
1	140472	CYLINDER 4X30 1-1/2 ROD (SEE PAGE 1-131)	
2	145203	CYLINDER 3-1/2 X 8 REPHASE (SEE PAGE 1-122)	
3	145204	CYLINDER 3-1/4 X 8 REPHASE	
4	167575	CYLINDER, 4-1/2 X 30, 2DIA ROD (SEE PAGE 1-132)	
5	71508990	HOSE ASM 3/8 X60	
6	153260	HOSE ASSY 3/8X140 #8JIC SWIV K	
7	71600088	HOSE ASSY 3/8X228 #8 JIC SWIV	
8	117163	HOSE ASSY 3/8X196 #8JIC SWIV	
9	137602	HOSE ASSY, 3/8X 27, #8JIC SWVL	
10	159569	HOSE ASSY, 3/8X161, #8JIC SWVL	
11	71508984	HOSE .38X42	
12	144343	HOSE ASSY #6 .38X165 HIPRES	
13	141864	HOSE ASSY 3/8X175 #8 JIC SWIV	
14	147582	HOSE ASSY 3/8X24 #8 JIC SWIV	
15	1422176	HOSE ASSY 3/8X116,#8 JIC SWIV	
16	188774	HOSE ASSY,3/8#8JICX#8ORB 270"	
17	137601	HOSE ASSY, 3/8X20, #8JIC SWVL	
18	71508988	HOSE ASM 3/8 X80	
19	117259	HOSE ASSY 3/8X48 #8JIC	
20	71508983	HOSE-HYD .38X182	
21	116491	HOSE 3/8X96 #8 JIC SW	
22	71508987	HOSE ASM 3/8 X 86	
23	191988	MANIFOLD, FRONT 8550 (SEE PAGE 1-120)	
24	190927	MANIFOLD, REAR 8550 (SEE PAGE 1-121)	
25	141826	ELBOW 90 1/16 RES	
26	2071-8-8S	ADAPTER90 #8 FLR SWIVEL #8JIC	
27	203102-8-8S	ADPTR,TEE,1/2 #8JICX#8JIC SWV	
28	1400548	ELBOW EX LG	
29	155529	HOSE WRAP, YELLOW (NOT SHOWN)	
30	141828	COUPLER,MALE 3/4-16 O-RING	

Lift Hydraulic Assemblies

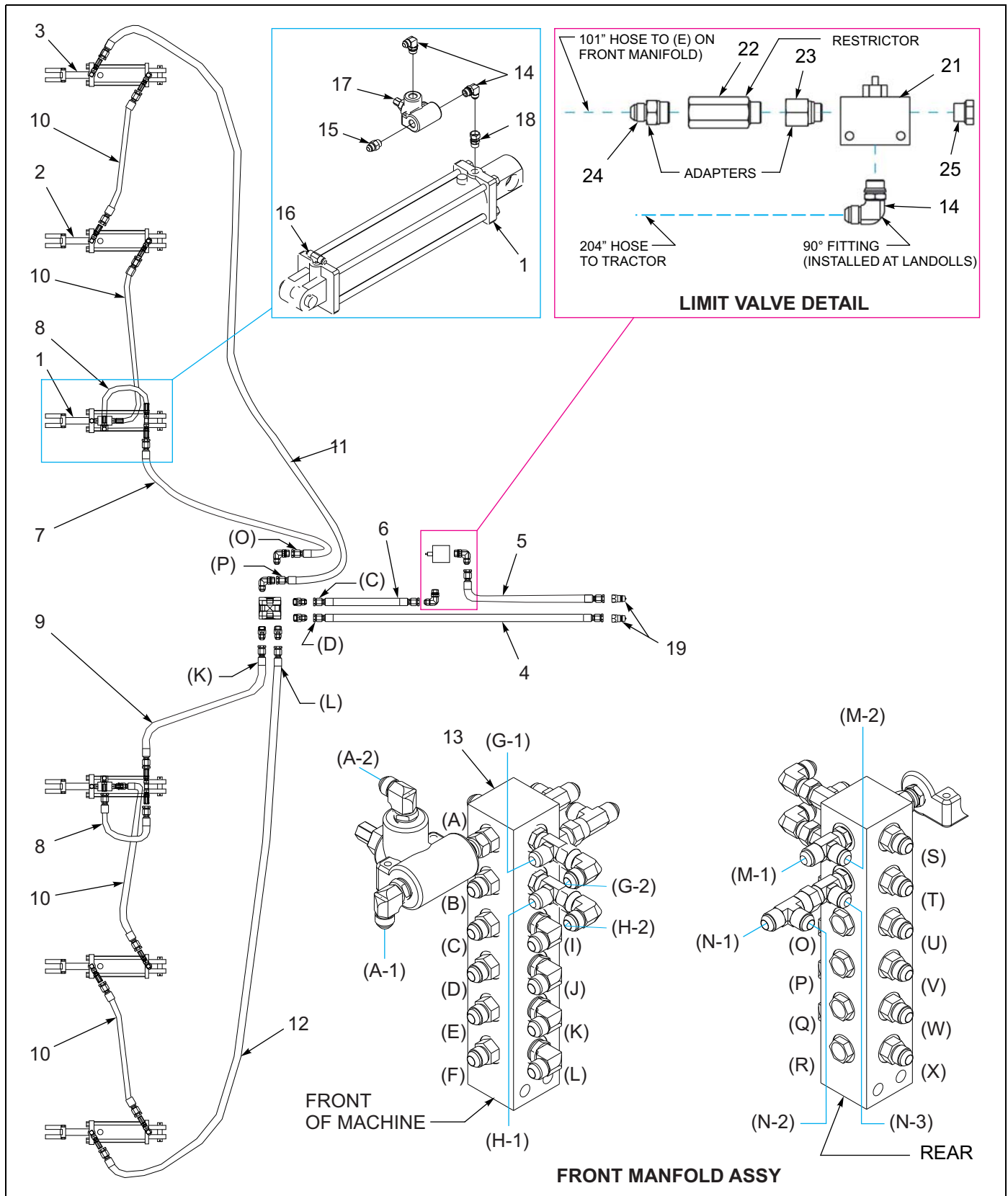


Figure 1-71: Lift Hydraulic Assembly - 38'

Lift Hydraulic Assembly - 38'

ITEM	PART NO.	DESCRIPTION	QTY.
1	184784	CYLINDER, 4-1/2 X 10, REPHASE (PRIOR 7-1-2018) (SEE PAGE 1-127)	
1	213770	CYL, 5 X 10, REPHASE 2-1/4 ROD (AFTER 7-1-2018) (SEE PAGE 1-130)	
2	140470	CYLINDER 4X10 REPHASE (PRIOR 11-1-2017 1" PINS) (SEE PAGE 1-126)	
2	209728	CYL 4X10 REPHASE 1-1/4 PINS (FROM 11-1-2017 to 7-1-2018 1-1/4" PINS) (SEE PAGE 1-129)	
2	184784	CYLINDER, 4-1/2 X 10, REPHASE (AFTER 7-1-2018) (SEE PAGE 1-127)	
3	140471	CYLINDER 3-3/4X10 REPHASE (PRIOR 11-1-2017 1" PINS) (SEE PAGE 1-125)	
3	209729	CYL 3-3/4X10 REPHASE 1-1/4 PIN (FROM 11-1-2017 to 7-1-2018 1-1/4" PINS) (SEE PAGE 1-128)	
3	209728	CYL 4X10 REPHASE 1-1/4 PINS (AFTER 7-1-2018) (SEE PAGE 1-129)	
4	168892	HOSE 1/2X37JICX3/4-16ORINGX271	
5	156964	HOSE 1/2X204, SAE37X3/4-16 OR	
6	124133	CSVP-R HOSE HYD 1/2X101	
7	139213	HOSE ASSY 3/8X105 #8JIC SWIVEL	
8	147582	HOSE ASSY 3/8X24 #8 JIC SWIV	
9	181799	HOSE ASSY, 3/8X74, #8 JIC	
10	195647	HOSE ASSY, 3/8X93 #8 JIC SWIV	
11	71510821	HOSE, .38 X 244 IN.	
12	71509000	HOSE ASM 3/8 X202	
13	191988	MANIFOLD, FRONT 8550 (SEE PAGE 1-120)	
14	2062-8-8S	ADAPTER, 90, #8 O-RING-TUBE	
15	202702-8-8S	ADAPTER #8 O-RING TO #8 TUBE	
16	203003-8-8S	ADAPTER,TEE,#8 O-RING-TUBE	
17	165287	VALVE, RELIEF, 1000PSI	
18	102-1130	FTG,STR 8M ORING X 8F JIC SW	
19	141828	COUPLER,MALE 3/4-16 O-RING	
20	155528	HOSE WRAP, BLUE (USED TO WRAP LIFT HOSES - NOT SHOWN)	
21	185660	VALVE, LIMIT	
22	181933	VALVE, IN-LINE RES	
23	181938	ADAPTER, #8MORB X #10FORB	
24	202702-10-8S	ADAPTER, #10 O-RING #8 TUBE	
25	1-007-010025	PLUG, 3/4-16 O-RING BOSS	

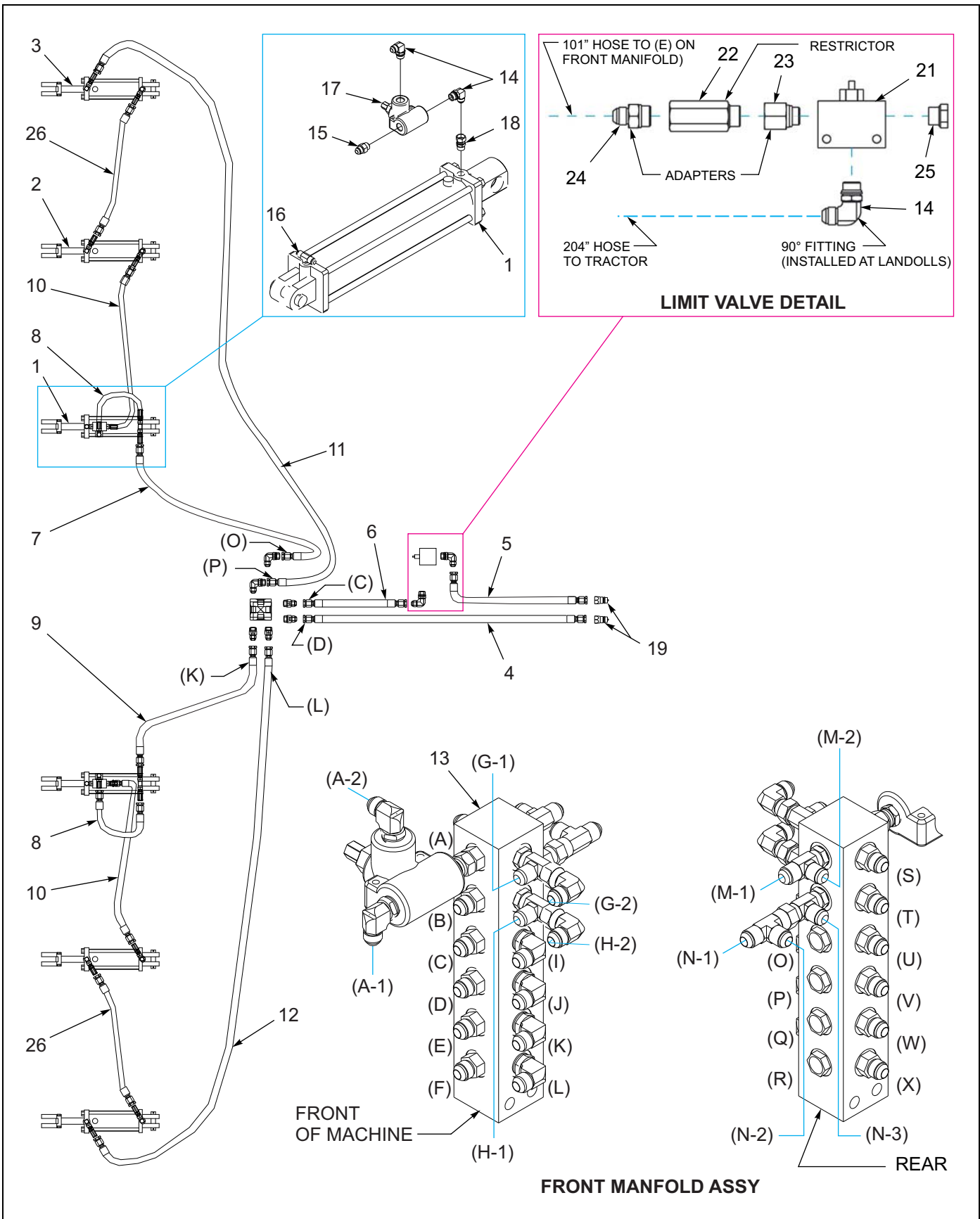


Figure 1-72: Lift Hydraulic Assembly - 43'

Lift Hydraulic Assembly - 43'

ITEM	PART NO.	DESCRIPTION	QTY.
1	184784	CYLINDER, 4-1/2 X 10, REPHASE (PRIOR 7-1-2018) (SEE PAGE 1-127)	
1	213770	CYL, 5 X 10, REPHASE 2-1/4 ROD (AFTER 7-1-2018) (SEE PAGE 1-130)	
2	140470	CYLINDER 4X10 REPHASE (PRIOR 11-1-2017 1" PINS) (SEE PAGE 1-126)	
2	209728	CYL 4X10 REPHASE 1-1/4 PINS (FROM 11-1-2017 to 7-1-2018 1-1/4" PINS) (SEE PAGE 1-129)	
2	184784	CYLINDER, 4-1/2 X 10, REPHASE (AFTER 7-1-2018) (SEE PAGE 1-127)	
3	140471	CYLINDER 3-3/4X10 REPHASE (PRIOR 11-1-2017 1" PINS) (SEE PAGE 1-125)	
3	209729	CYL 3-3/4X10 REPHASE 1-1/4 PIN (FROM 11-1-2017 to 7-1-2018 1-1/4" PINS) (SEE PAGE 1-128)	
3	209728	CYL 4X10 REPHASE 1-1/4 PINS (AFTER 7-1-2018) (SEE PAGE 1-129)	
4	168892	HOSE 1/2X37JICX3/4-16ORINGX271	
5	156964	HOSE 1/2X204, SAE37X3/4-16 OR	
6	124133	CSVP-R HOSE HYD 1/2X101	
7	139213	HOSE ASSY 3/8X105 #8JIC SWIVEL	
8	147582	HOSE ASSY 3/8X24 #8 JIC SWIV	
9	181799	HOSE ASSY, 3/8X74, #8 JIC	
10	117916	HOSE ASSY, 3/8X110 #8 JIC SWIV	
11	71600089	HOSE, .38 X 295 IN.	
12	116436	HOSE ASM 3/8 X255	
13	191988	MANIFOLD, FRONT 8550 (SEE PAGE 1-120)	
14	2062-8-8S	ADAPTER, 90, #8 O-RING-TUBE	
15	202702-8-8S	ADAPTER #8 O-RING TO #8 TUBE	
16	203003-8-8S	ADAPTER,TEE,#8 O-RING-TUBE	
17	165287	VALVE, RELIEF, 1000PSI	
18	102-1130	FTG,STR 8M ORING X 8F JIC SW	
19	141828	COUPLER,MALE 3/4-16 O-RING	
20	155528	HOSE WRAP, BLUE (USED TO WRAP LIFT HOSES - NOT SHOWN)	
21	185660	VALVE, LIMIT	
22	181933	VALVE, IN-LINE RES	
23	181938	ADAPTER, #8MORB X #10FORB	
24	202702-10-8S	ADAPTER, #10 O-RING #8 TUBE	
25	1-007-010025	PLUG, 3/4-16 O-RING BOSS	
26	1422176	HOSE ASSY 3/8X116,#8 JIC SWIV	

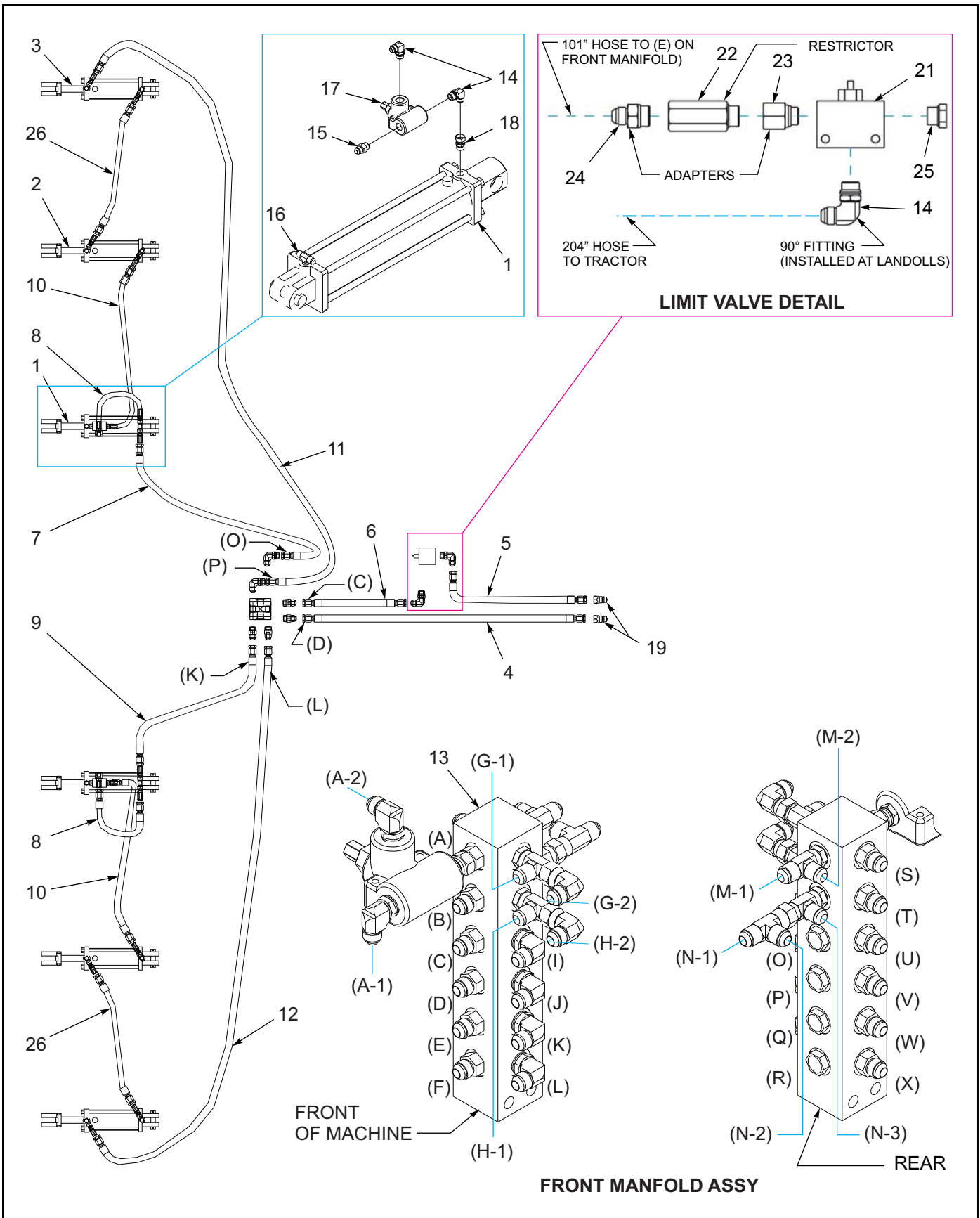


Figure 1-73: Lift Hydraulic Assembly - 48'

Lift Hydraulic Assembly - 48'

ITEM	PART NO.	DESCRIPTION	QTY.
1	184784	CYLINDER, 4-1/2 X 10, REPHASE (PRIOR 7-1-2018) (SEE PAGE 1-127)	
1	213770	CYL, 5 X 10, REPHASE 2-1/4 ROD (AFTER 7-1-2018) (SEE PAGE 1-130)	
2	140470	CYLINDER 4X10 REPHASE (PRIOR 11-1-2017 1" PINS) (SEE PAGE 1-126)	
2	209728	CYL 4X10 REPHASE 1-1/4 PINS (FROM 11-1-2017 to 7-1-2018 1-1/4" PINS) (SEE PAGE 1-129)	
2	184784	CYLINDER, 4-1/2 X 10, REPHASE (AFTER 7-1-2018) (SEE PAGE 1-127)	
3	140471	CYLINDER 3-3/4X10 REPHASE (PRIOR 11-1-2017 1" PINS) (SEE PAGE 1-125)	
3	209729	CYL 3-3/4X10 REPHASE 1-1/4 PIN (FROM 11-1-2017 to 7-1-2018 1-1/4" PINS) (SEE PAGE 1-128)	
3	209728	CYL 4X10 REPHASE 1-1/4 PINS (AFTER 7-1-2018) (SEE PAGE 1-129)	
4	168892	HOSE 1/2X37JICX3/4-16ORINGX271	
5	156964	HOSE 1/2X204, SAE37X3/4-16 OR	
6	124133	CSVP-R HOSE HYD 1/2X101	
7	139213	HOSE ASSY 3/8X105 #8JIC SWIVEL	
8	147582	HOSE ASSY 3/8X24 #8 JIC SWIV	
9	181799	HOSE ASSY, 3/8X74, #8 JIC	
10	116492	HOSE ASSY, 3/8X128 #8 JIC SWIV	
11	1-397-010369324	HOSE, .38 X 324 IN.	
12	164308	HOSE ASM 3/8 X202	
13	191988	MANIFOLD, FRONT 8550 (SEE PAGE 1-120)	
14	2062-8-8S	ADAPTER, 90, #8 O-RING-TUBE	
15	202702-8-8S	ADAPTER #8 O-RING TO #8 TUBE	
16	203003-8-8S	ADAPTER,TEE,#8 O-RING-TUBE	
17	165287	VALVE, RELIEF, 1000PSI	
18	102-1130	FTG,STR 8M ORING X 8F JIC SW	
19	141828	COUPLER,MALE 3/4-16 O-RING	
20	155528	HOSE WRAP, BLUE (USED TO WRAP LIFT HOSES - NOT SHOWN)	
21	185660	VALVE, LIMIT	
22	181933	VALVE, IN-LINE RES	
23	181938	ADAPTER, #8MORB X #10FORB	
24	202702-10-8S	ADAPTER, #10 O-RING #8 TUBE	
25	1-007-010025	PLUG, 3/4-16 O-RING BOSS	
26	137600	HOSE ASSY, 3/8X130, #8JIC SWVL	

Hydraulic Gang Assemblies

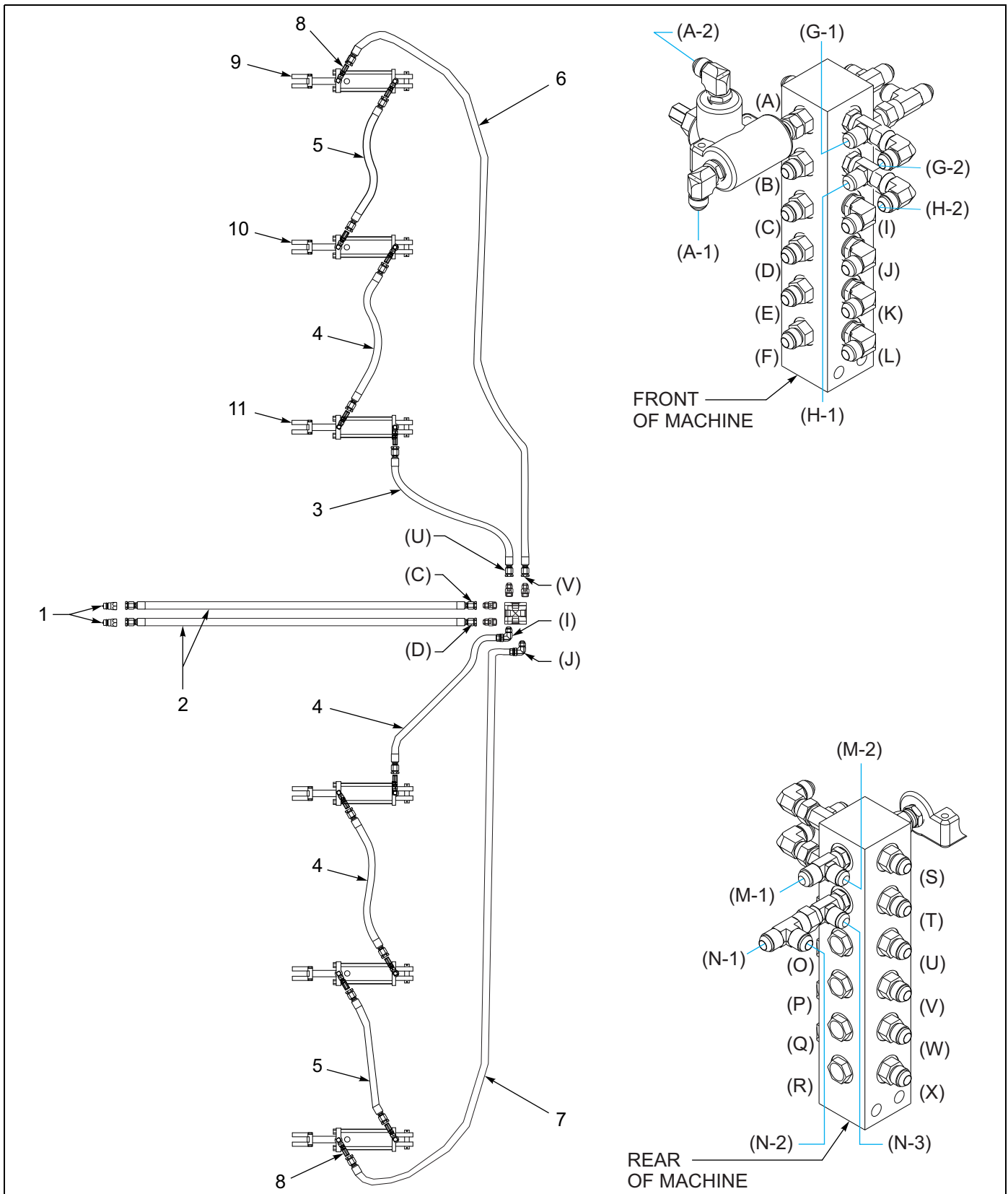


Figure 1-74: Hydraulic Gangs Installation - 38'

Hydraulic Gangs Installation - 38'

ITEM	PART NO.	DESCRIPTION	QTY.
1	141828	COUPLER,MALE 3/4-16 O-RING	
2	188774	HOSE ASSY,3/8#8JICX#8ORB 270"	
3	156945	HOSE ASSY 3/8X100 #8JIC SWIV	
4	141881	HOSE ASSY 3/8X136 #8 JIC SWIV	
5	117163	HOSE ASSY 3/8X196 #8JIC	
6	71510821	HOSE, .38 X 244 IN.	
7	180117	HOSE ASSY, 3/8X275, #8JIC SWIV	
8	141826	ELBOW 90 1/16 RES	
9	145203	CYLINDER 3-1/2 X 8 REPHASE (SEE PAGE 1-122)	
10	145202	CYLINDER 3-3/4 X 8 REPHASE (SEE PAGE 1-122)	
11	145201	CYLINDER 4 X 8 REPHASE (SEE PAGE 1-122)	

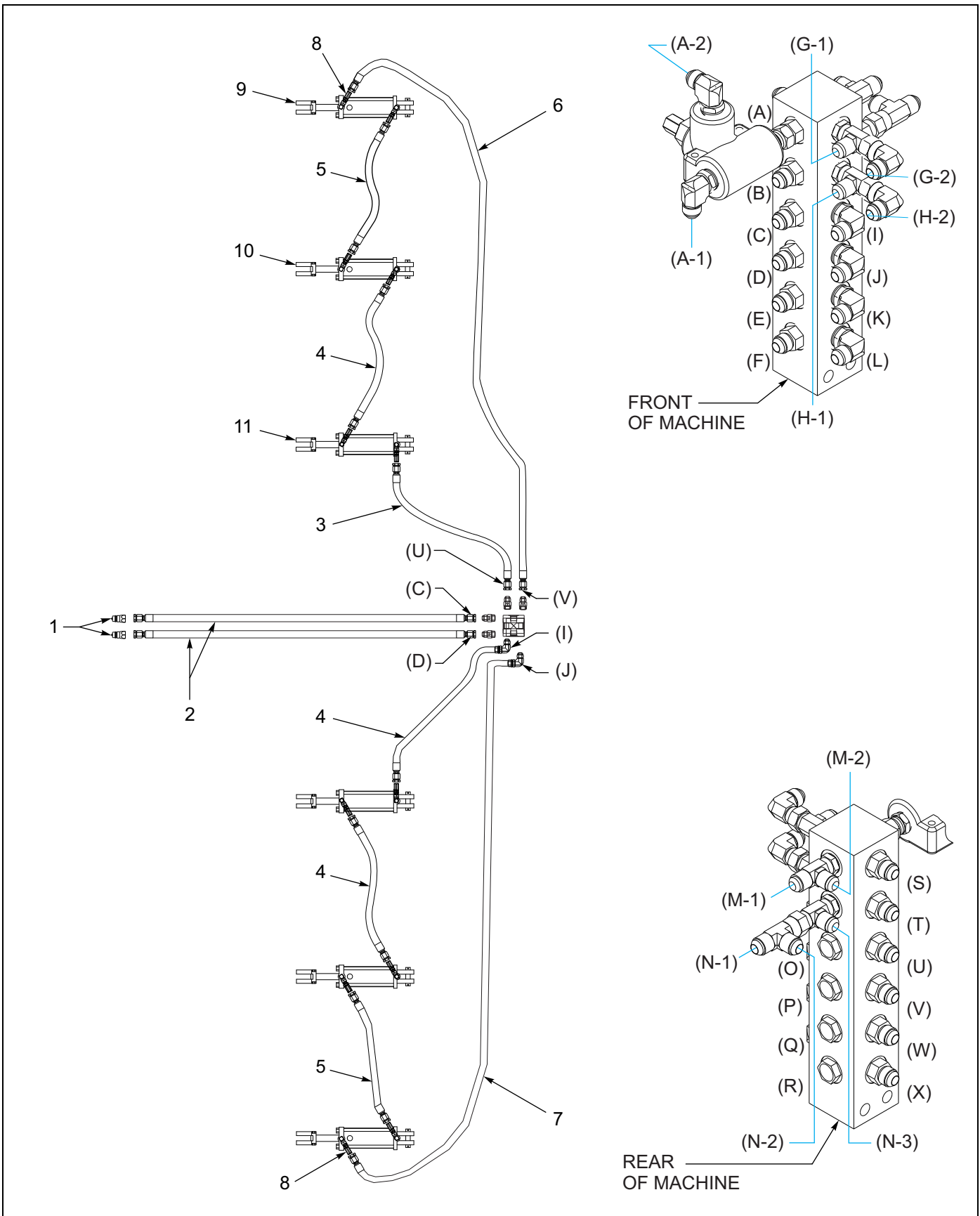


Figure 1-75: Hydraulic Gangs Installation - 43'

Hydraulic Gangs Installation - 43'

ITEM	PART NO.	DESCRIPTION	QTY.
1	141828	COUPLER,MALE 3/4-16 O-RING	
2	188774	HOSE ASSY,3/8#8JICX#8ORB 270"	
3	156945	HOSE ASSY 3/8X100 #8JIC SWIV	
4	141881	HOSE ASSY 3/8X136 #8 JIC SWIV	
5	153621	HOSE ASSY 3/8X 212 #8JIC	
6	180117	HOSE ASSY, 3/8X 275, #8JIC SWIV	
7	164309	HOSE ASSY, 3/8X 300, #8JIC SWIV	
8	141826	ELBOW 90 1/16 RES	
9	145203	CYLINDER 3-1/2 X 8 REPHASE (SEE PAGE 1-122)	
10	145202	CYLINDER 3-3/4 X 8 REPHASE (SEE PAGE 1-122)	
11	145201	CYLINDER 4 X 8 REPHASE (SEE PAGE 1-122)	

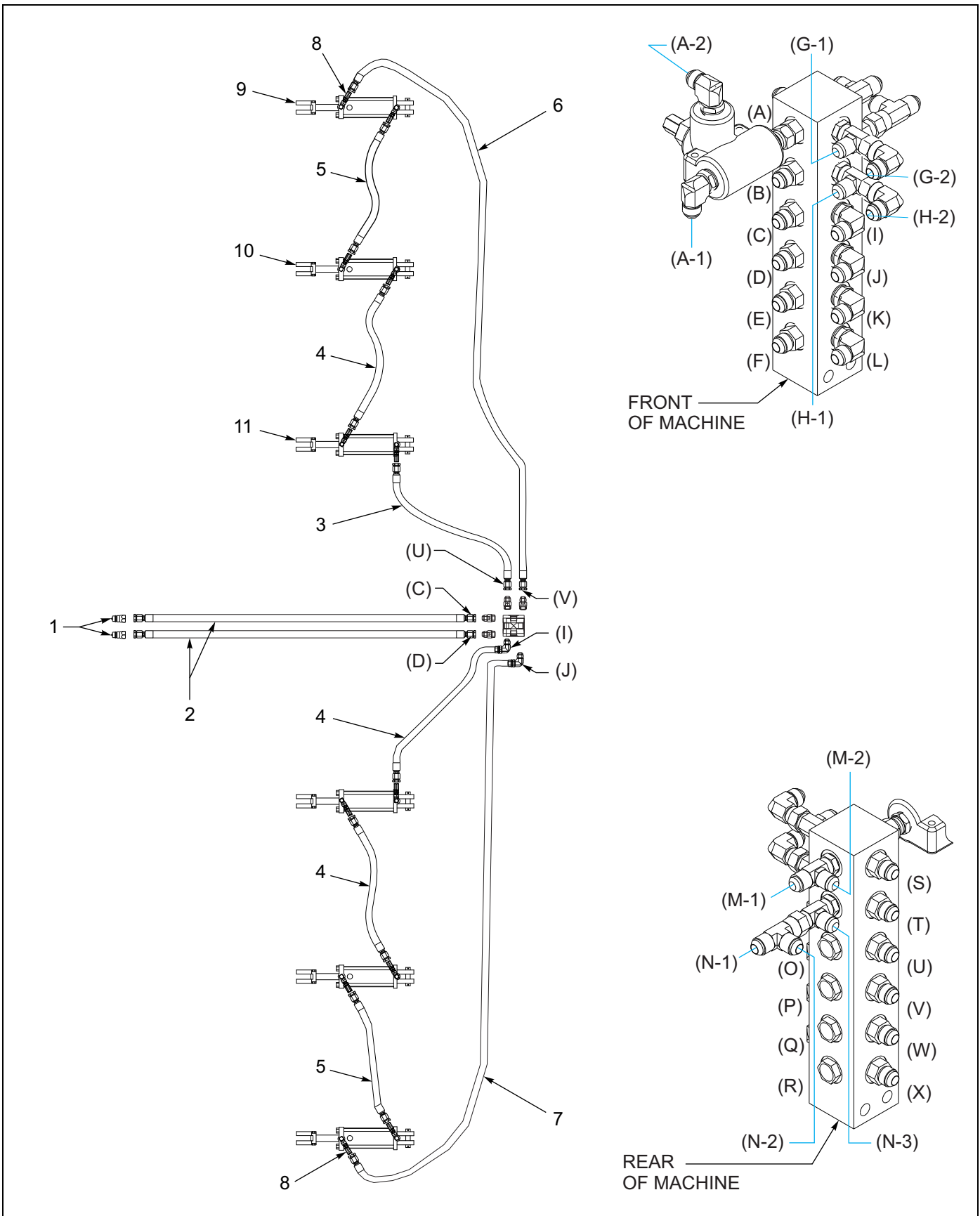


Figure 1-76: Hydraulic Gangs Installation - 48'

Hydraulic Gangs Installation - 48'

ITEM	PART NO.	DESCRIPTION	QTY.
1	141828	COUPLER,MALE 3/4-16 O-RING	
2	188774	HOSE ASSY,3/8#8JICX#8ORB 270"	
3	156945	HOSE ASSY 3/8X100 #8JIC SWIV	
4	141881	HOSE ASSY 3/8X136 #8 JIC SWIV	
5	164307	HOSE ASSY 3/8X 237 #8JIC	
6	164309	HOSE ASSY, 3/8X 300, #8JIC SWIV	
7	1-397-010369324	HOSE ASSY, 3/8X 324, #8JIC SWIV	
8	141826	ELBOW 90 1/16 RES	
9	145203	CYLINDER 3-1/2 X 8 REPHASE (SEE PAGE 1-122)	
10	145202	CYLINDER 3-3/4 X 8 REPHASE (SEE PAGE 1-122)	
11	145201	CYLINDER 4 X 8 REPHASE (SEE PAGE 1-122)	

Manifolds

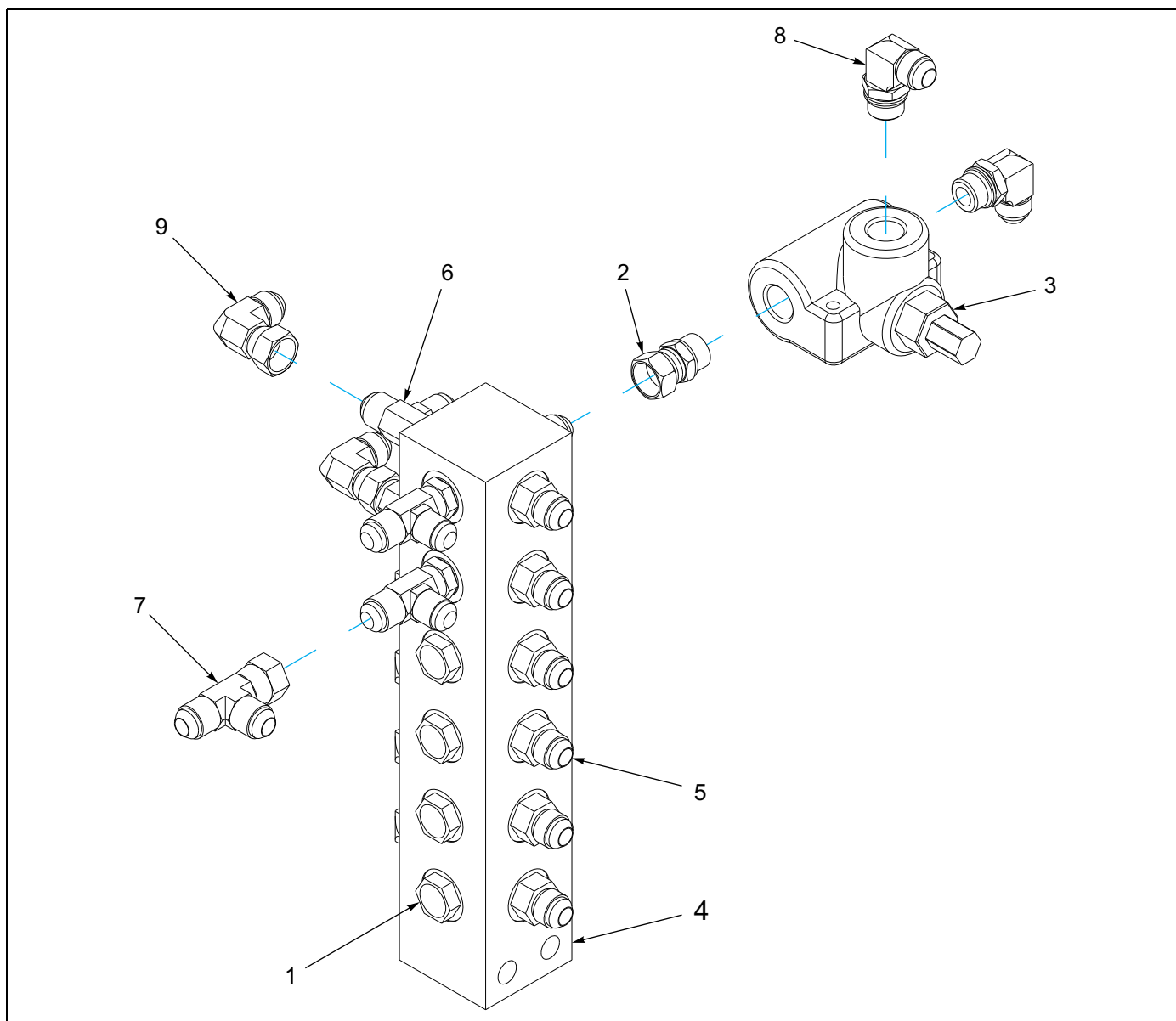


Figure 1-77: Front Manifold Assembly

Front Manifold Assembly

ITEM	PART NO.	DESCRIPTION	QTY.
--	191988	MANIFOLD, FRONT 8550	
1	1-007-010025	PLUG, 3/4-16 O-RING BOSS	4
2	102-1138	ADAPTER, #8 SAE X #8 JIC	1
3	165287	VALVE, RELIEF, 1000PSI	1
4	191923	MANIFOLD, HYDRAULIC 24 PORT	1
5	202702-8-8S	ADAPTER #8 O-RING TO #8 TUBE	12
6	203005-8-8S	ADAPTER, TEE, #8 O-RING-TUBE	4
7	203102-8-8S	ADPTR, TEE, 1/2 #8JICX#8JIC SWV	1
8	2062-8-8S	ADAPTER, 90, #8 O-RING-TUBE	6
9	2071-8-8S	MANIFOLD, FRONT 8550	2

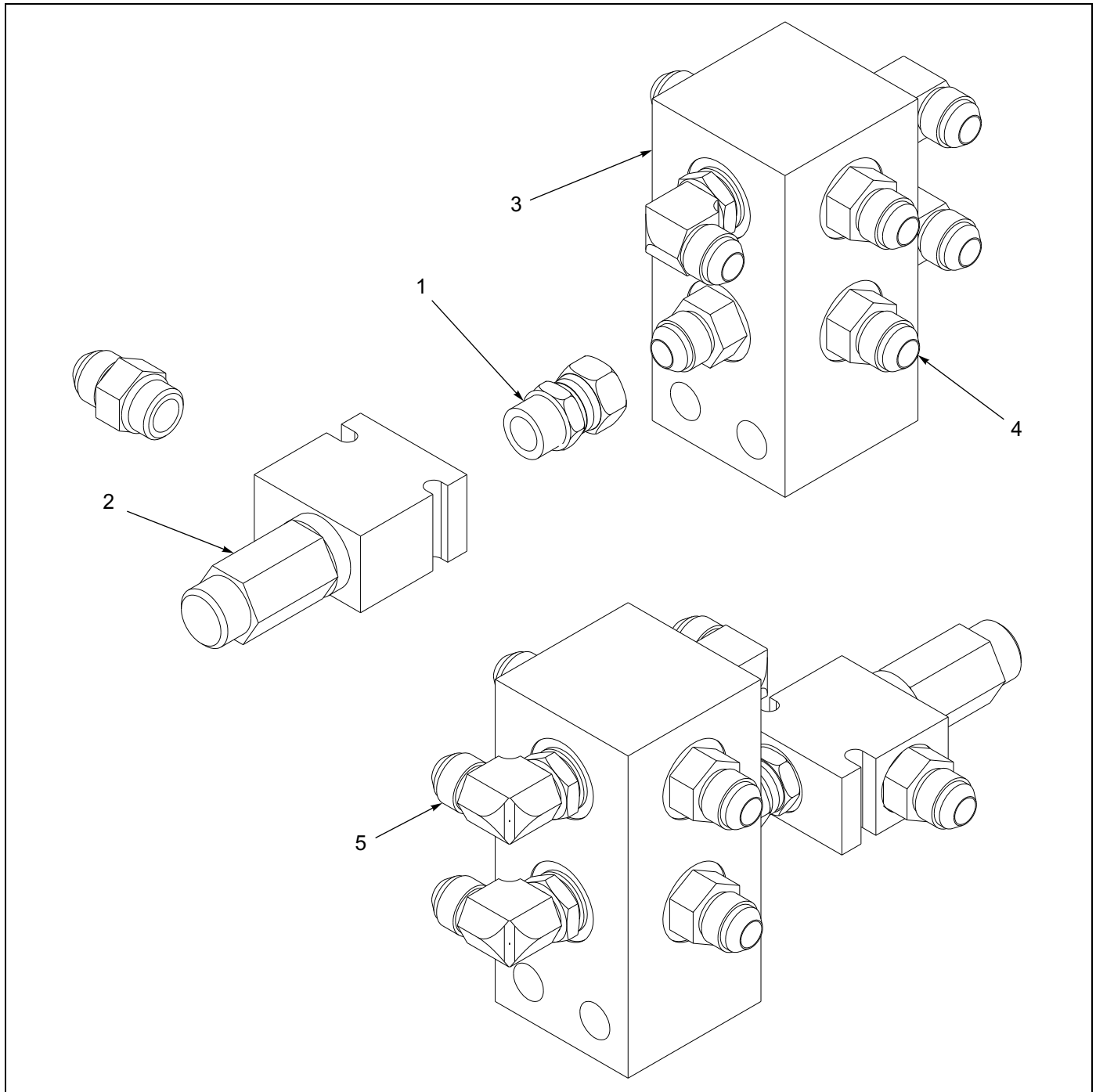


Figure 1-78: Rear Manifold Assembly

Rear Manifold Assembly

ITEM	PART NO.	DESCRIPTION	QTY.
--	190927	MANIFOLD, REAR 8550	
1	102-1130	FTG,STR 8M ORING X 8F JIC SW	1
2	193149	VALVE,RELIEF PILOT OP W/REV CK	1
3	2-474-010022	MANIFOLD HYDR ASSY, 8 HOSE	1
4	202702-8-8S	ADAPTER #8 O-RING TO #8 TUBE	6
5	2062-8-8S	ADAPTER, 90, #8 O-RING-TUBE	3

Cylinders

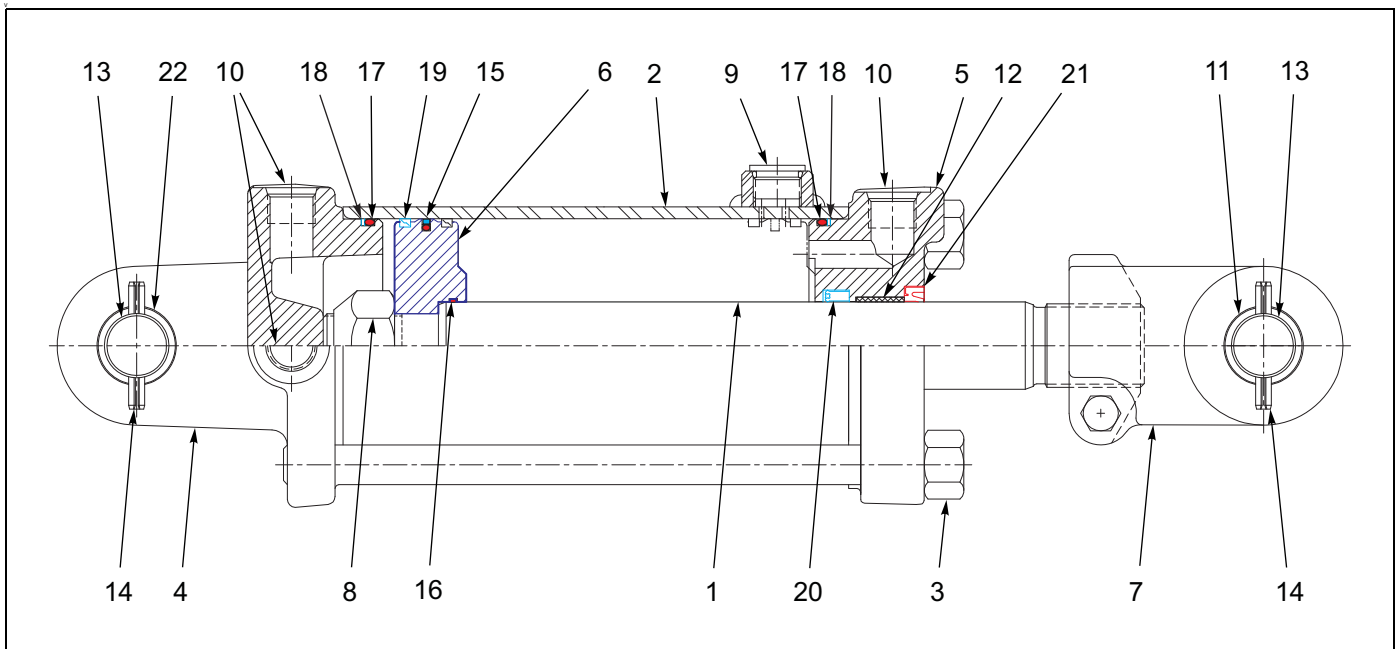


Figure 1-79: Cylinder - Rephase Assembly - 3-1/2 X 8

Cylinder - Rephase Assembly - 3-1/2 X 8

ITEM	PART NO.	DESCRIPTION	QTY.
--	145203	CYLINDER 3-1/2 X 8 REPHASE	
1	----	ROD, PISTON	1
2	----	TUBE ASSEMBLY	1
3	----	TIEROD ASSEMBLY	4
4	218643	BUTT CLEVIS ASSEMBLY	1
5	148085	GLAND ASSEMBLY	1
6	----	PISTON	1
7	148087	CLEVIS ASSEMBLY	1
8	----	LOCKNUT	1
9	----	SHIPPING PLUG	1
10	----	SHIPPING PLUG	3
11	148088	BUSHING	2
12	125566	BUSHING	1
13	143994	CLEVIS PIN	2
14	111789	ROLL PIN	4
15	----	TEFLON SEAL	1
16	----	O- RING	1
17	----	O- RING	2
18	----	BU- WASHER	2
19	----	BEARING RING	1
20	----	U- CUP	1
21	----	CANNED WIPER	1
22	142112	BUSHING	2
23	148089	PACKING KIT (NOT SHOWN) (INCLUDES ITEMS 15-21)	

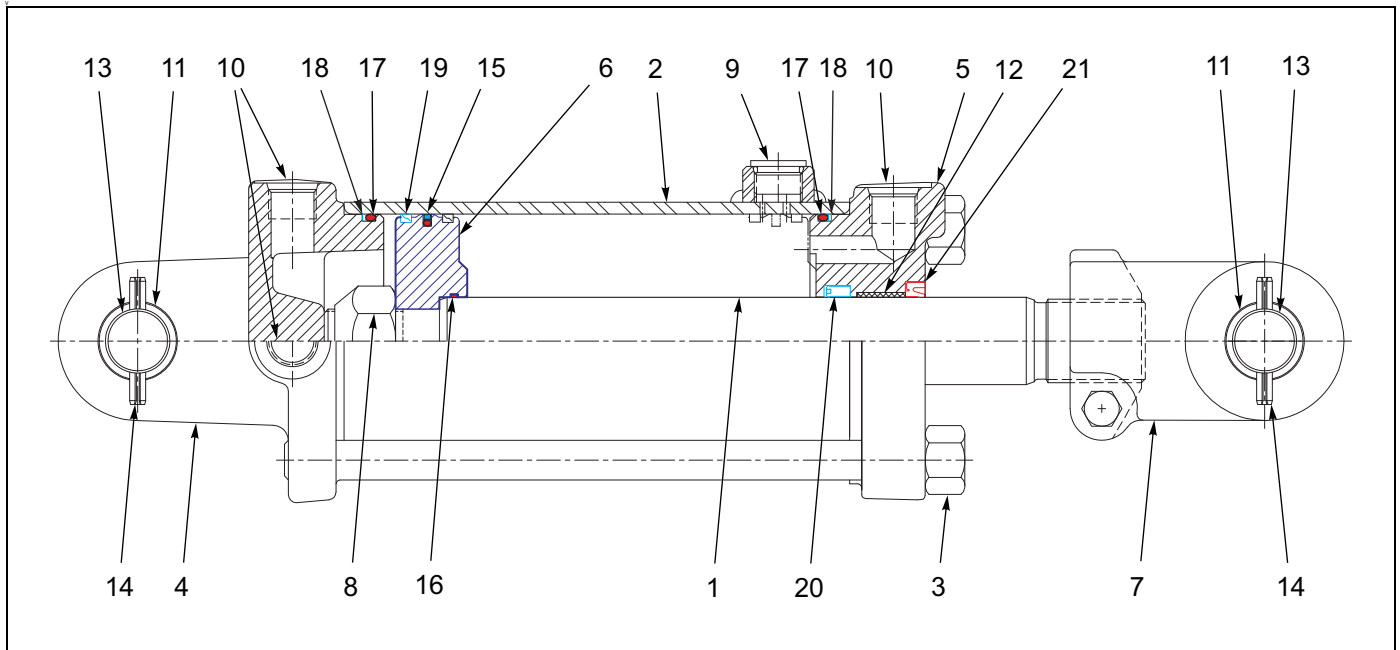


Figure 1-80: Cylinder - Rephase Assembly - 3-3/4 X 8

Cylinder - Rephase Assembly - 3-3/4 X 8

ITEM	PART NO.	DESCRIPTION	QTY.
--	145202	CYLINDER 3-3/4 X 8 REPHASE	
1	----	ROD, PISTON	1
2	----	TUBE ASSY	1
3	----	TIEROD ASSY	4
4	142116	BUTT CLEVIS ASSY	1
5	111871	GLAND ASSEMBLY	1
6	----	PISTON	1
7	142110	CLEVIS ASSY	1
8	----	LOCKNUT	1
9	----	SHIPPING PLUG	1
10	----	SHIPPING PLUG	3
11	142112	BUSHING	4
12	141301	BUSHING	1
13	143994	CLEVIS PIN	2
14	111789	ROLL PIN	4
15	----	TEFLON SEAL	1
16	----	O- RING	1
17	----	O- RING	2
18	----	BU- WASHER	2
19	----	BEARING RING	1
20	----	U- CUP	1
21	----	CANNED WIPER	1
22	147748	PACKING KIT (NOT SHOWN) (INCLUDES ITEMS 15-21)	

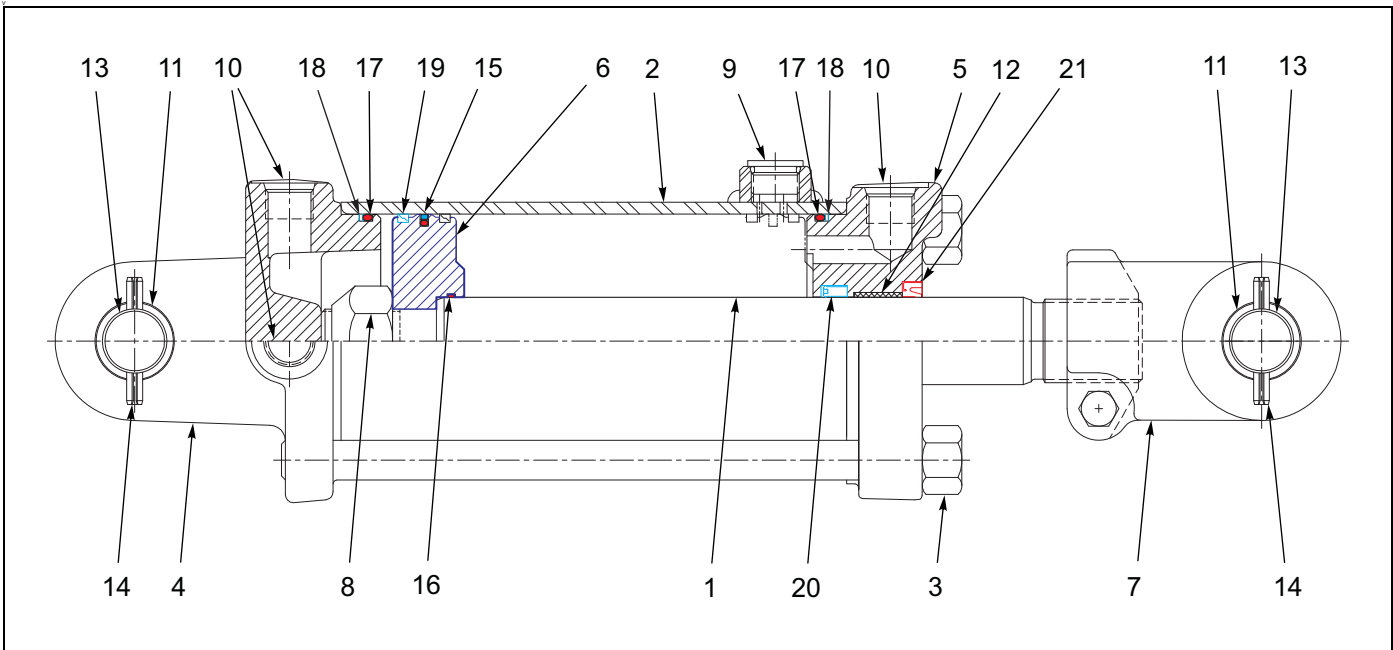


Figure 1-81: Cylinder - Rephase Assembly - 4 X 8

Cylinder - Rephase Assembly - 4 X 8

ITEM	PART NO.	DESCRIPTION	QTY.
--	145201	CYLINDER 4 X 8 REPHASE	
1	----	ROD, PISTON	1
2	----	TUBE ASSY	1
3	----	TIEROD ASSY	4
4	142114	BUTT CLEVIS ASSY	1
5	142109	GLAND ASSEMBLY	1
6	----	PISTON	1
7	142110	CLEVIS ASSY	1
8	----	LOCKNUT	1
9	----	SHIPPING PLUG	1
10	----	SHIPPING PLUG	3
11	142112	BUSHING	4
12	141301	BUSHING	1
13	143994	CLEVIS PIN	2
14	111789	ROLL PIN	4
15	----	TEFLON SEAL	1
16	----	O- RING	1
17	----	O- RING	2
18	----	BU- WASHER	2
19	----	BEARING RING	1
20	----	U- CUP	1
21	----	CANNED WIPER	1
22	147745	PACKING KIT (NOT SHOWN) (INCLUDES ITEMS 15-21)	

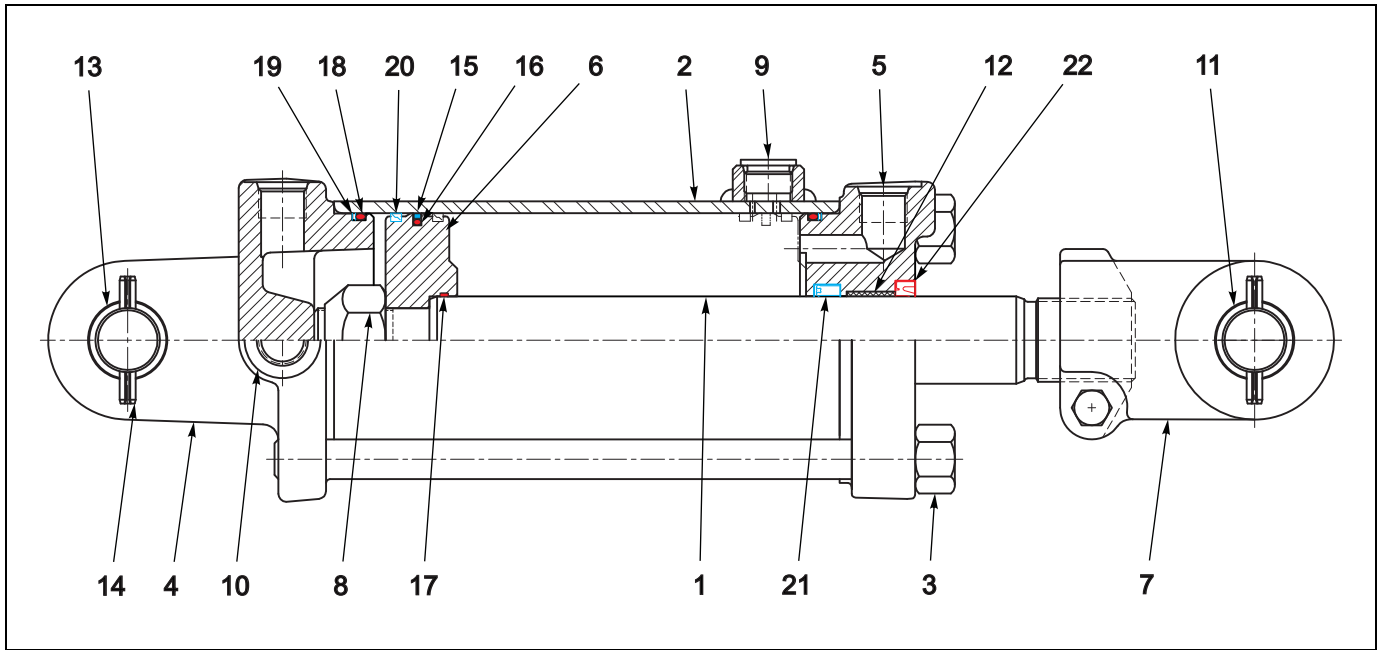


Figure 1-82: Cylinder - Rephase Assembly - 3-3/4 X 10 (1" Pin)

Cylinder - Rephase Assembly - 3-3/4 X 10 (1" Pin)

ITEM	PART NO.	DESCRIPTION	QTY.
--	140471	CYLINDER, 3-3/4 X 10, REPHASE (1" PINS)	
1	----	PISTON, ROD	1
2	----	TUBE ASSY	1
3	----	TIEROD ASSY	1
4	142116	BUTT CLEVIS ASSEMBLY	1
5	111871	GLAND ASSY	1
6	----	PISTON ROD	1
7	142110	CLEVIS ASSY	1
8	----	NUT, LOCK	1
9	----	PLUG, PORT	1
10	----	PLUG, PORT	3
11	142112	BUSHING	4
12	141301	BUSHING	1
13	143994	PIN, CLEVIS	2
14	111789	ROLL PIN	4
15	----	TEFLON SEAL	1
16	----	O- RING	1
17	----	O- RING	1
18	----	O- RING	2
19	----	BU- WASHER	2
20	----	BEARING RING	2
21	----	U- CUP	1
22	----	CANNED WIPER	1
23	142103	PACKING KIT (NOT SHOWN) (INCLUDES ITEMS 15-22)	

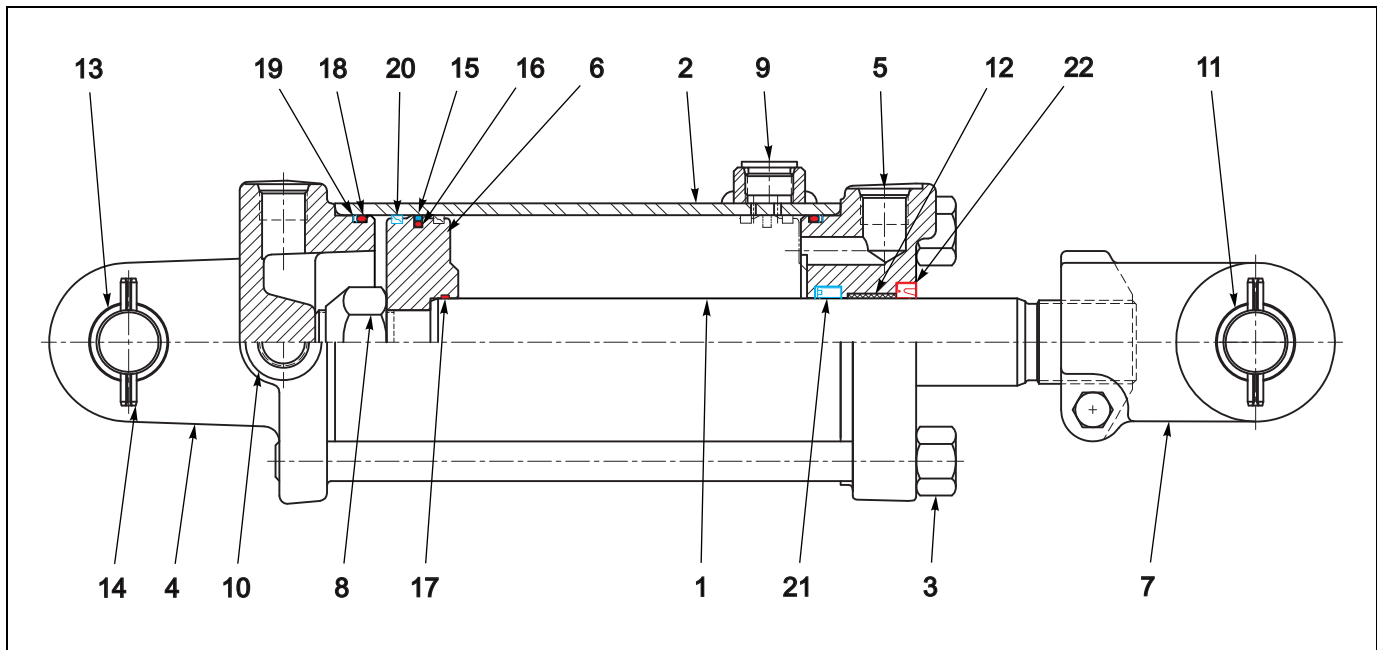


Figure 1-83: Cylinder - Rephase Assembly - 4 X 10 (1" Pin)

Cylinder - Rephase Assembly - 4 X 10 (1" Pin)

ITEM	PART NO.	DESCRIPTION	QTY.
--	140470	CYLINDER 4X10 REPHASE (1" PINS)	
1	----	PISTON, ROD	1
2	----	TUBE	1
3	----	TIEROD ASSY	1
4	142114	BUTT CLEVIS ASSY	1
5	142109	GLAND ASSEMBLY	1
6	----	PISTON	1
7	142110	CLEVIS ASSEMBLY	1
8	----	NUT, LOCK	1
9	----	PLUG, PORT	1
10	----	PLUG, PORT	3
11	142112	BUSHING	4
12	141301	BUSHING	1
13	143994	PIN, CLEVIS	2
14	111789	ROLL PIN	4
15	----	TEFLON SEAL	1
16	----	O- RING	1
17	----	O- RING	1
18	----	O- RING	2
19	----	BU- WASHER	2
20	----	BEARING RING	2
21	----	U- CUP	1
22	----	CANNED WIPER	1
23	142111	PACKING KIT (NOT SHOWN) (INCLUDES ITEMS 15-22)	

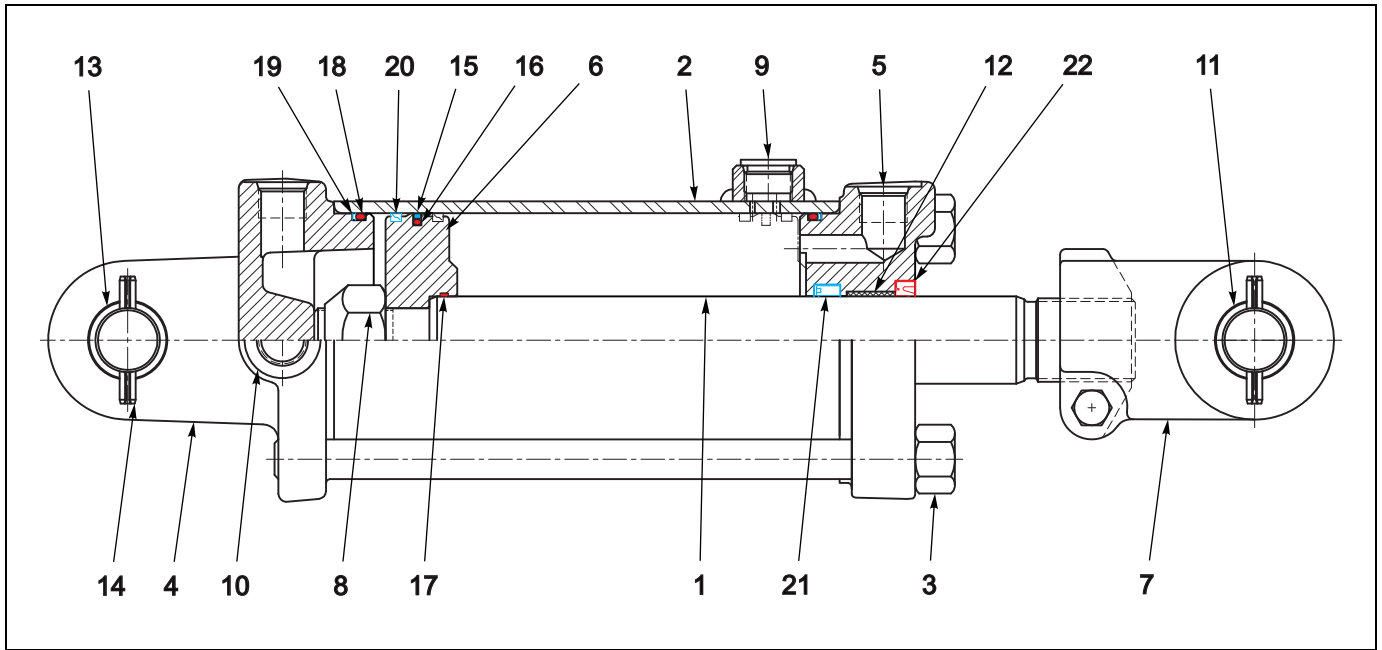


Figure 1-84: Cylinder - Rephase Assembly - 4-1/2 X 10

Cylinder - Rephase Assembly - 4-1/2 X 10

ITEM	PART NO.	DESCRIPTION	QTY.
--	184784	CYLINDER, 4-1/2 X 10, REPHASE	
1	----	,PISTON ROD	1
2	----	TUBE	1
3	----	TIE ROD ASSY	1
4	218641	BUTT CLEVIS ASSY	1
5	103153	GLAND ASSY	1
6	----	PISTON	1
7	137304	CLEVIS ASSY	1
8	----	NUT, LOCK	1
9	----	PLUG, PORT	1
10	----	PLUG, PORT	3
11	135912	BUSHING	4
12	137702	BUSHING	1
13	147755	CLEVIS PIN	2
14	111789	ROLL PIN	4
15	----	TEFLON SEAL	1
16	----	O- RING	1
17	----	O- RING	1
18	----	O- RING	2
19	----	BU- WASHER	2
20	----	BEARING RING	2
21	----	U- CUP	1
22	----	CANNED WIPER	1
23	208435	PACKING KIT (NOT SHOWN) (INCLUDES ITEMS 15-22)	

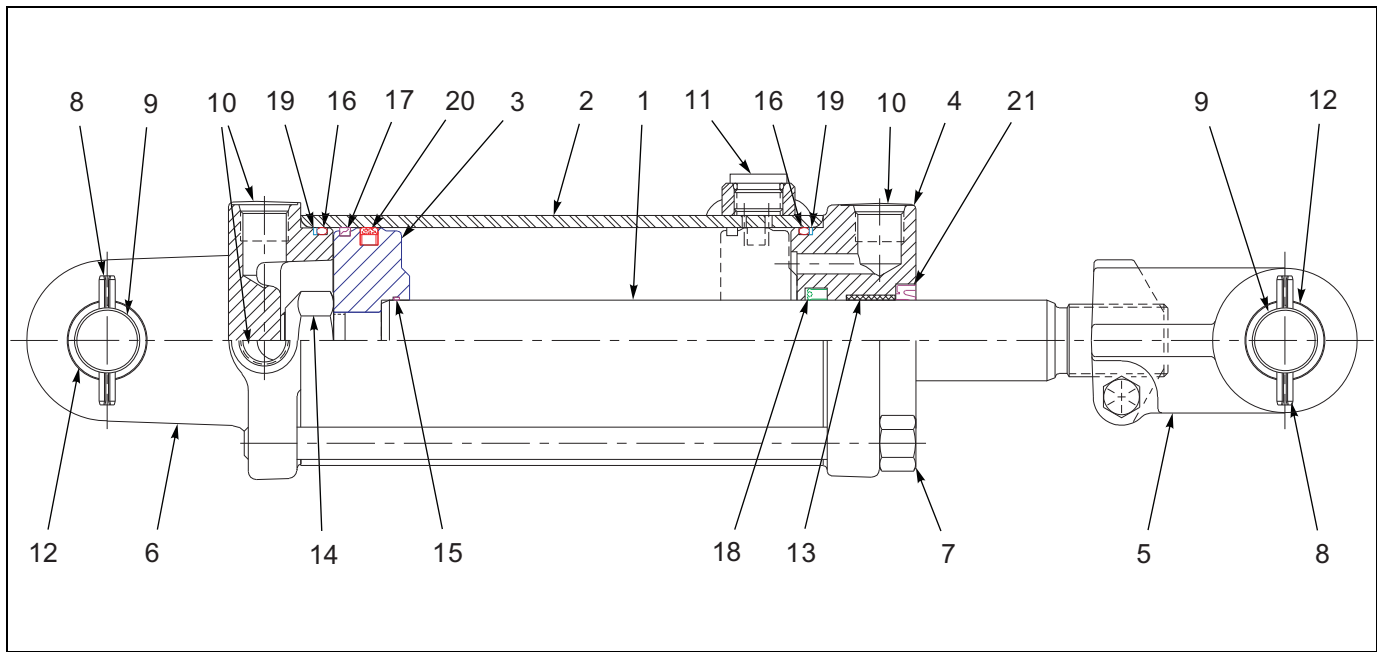


Figure 1-85: Cylinder - Rephase Assembly - 3-3/4 X 10

Cylinder - Rephase Assembly - 3-3/4 X 10

ITEM	PART NO.	DESCRIPTION	QTY.
--	209729	CYL 3-3/4X10 REPHASE 1-1/4 PIN	
1	----	PISTON ROD	1
2	----	TUBE ASSEMBLY	1
3	----	PISTON	1
4	111871	GLAND ASSEMBLY	1
5	148097	CLEVIS ASSEMBLY	1
6	218652	BUTT CLEVIS ASSEMBLY	1
7	----	TIEROD STUD W/ HEX NUT	4
8	111789	ROLL PIN	4
9	218640	CLEVIS PIN	2
10	----	#8 SAE HEX HEAD PLUG PLUG	3
11	----	#8 SAE HEX HOLLOW HEAD PLUG PLUG	1
12	135912	TENSION BUSHING	4
13	141301	DU BUSHING	1
14	----	LOCKNUT	1
15	----	O- RING	1
16	----	O- RING	2
17	----	PISTON BEARING RING	1
18	----	U- CUP	1
19	----	BU- WASHER	2
20	----	TEFLON SEAL	1
21	----	CANNED WIPER	1
22	218653	PACKING KIT (NOT SHOWN) (INCLUDES ITEMS 15-21)	

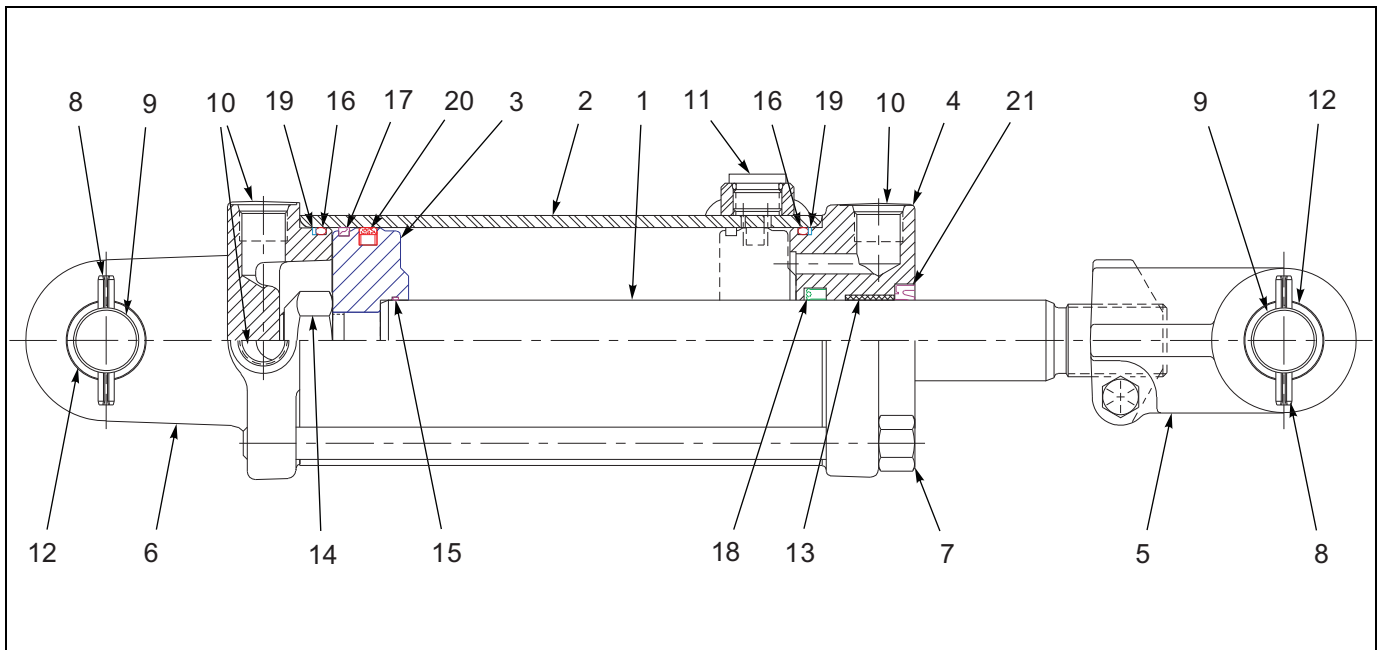


Figure 1-86: Cylinder - Rephase Assembly -4 X 10

Cylinder - Rephase Assembly - 4 X 10

ITEM	PART NO.	DESCRIPTION	QTY.
--	209728	CYL 4X10 REPHASE 1-1/4 PINS	
1	----	PISTON ROD	1
2	----	TUBE ASSEMBLY	1
3	----	PISTON	1
4	142109	GLAND ASSEMBLY	1
5	148097	CLEVIS ASSEMBLY	1
6	218639	BUTT CLEVIS ASSEMBLY	1
7	----	TIEROD STUD W/ HEX NUT	4
8	111789	ROLL PIN	4
9	218640	CLEVIS PIN	2
10	----	#8 SAE HEX HEAD PLUG PLUG	3
11	----	#8 SAE HEX HOLLOW HEAD PLUG PLUG	1
12	135912	TENSION BUSHING	4
13	141301	DU BUSHING	1
14	----	LOCKNUT	1
15	----	O- RING	1
16	----	O- RING	2
17	----	PISTON BEARING RING	1
18	----	U- CUP	1
19	----	BU- WASHER	2
20	----	TEFLON SEAL	1
21	----	CANNED WIPER	1
22	218638	PACKING KIT (NOT SHOWN) (INCLUDES ITEMS 15-21)	

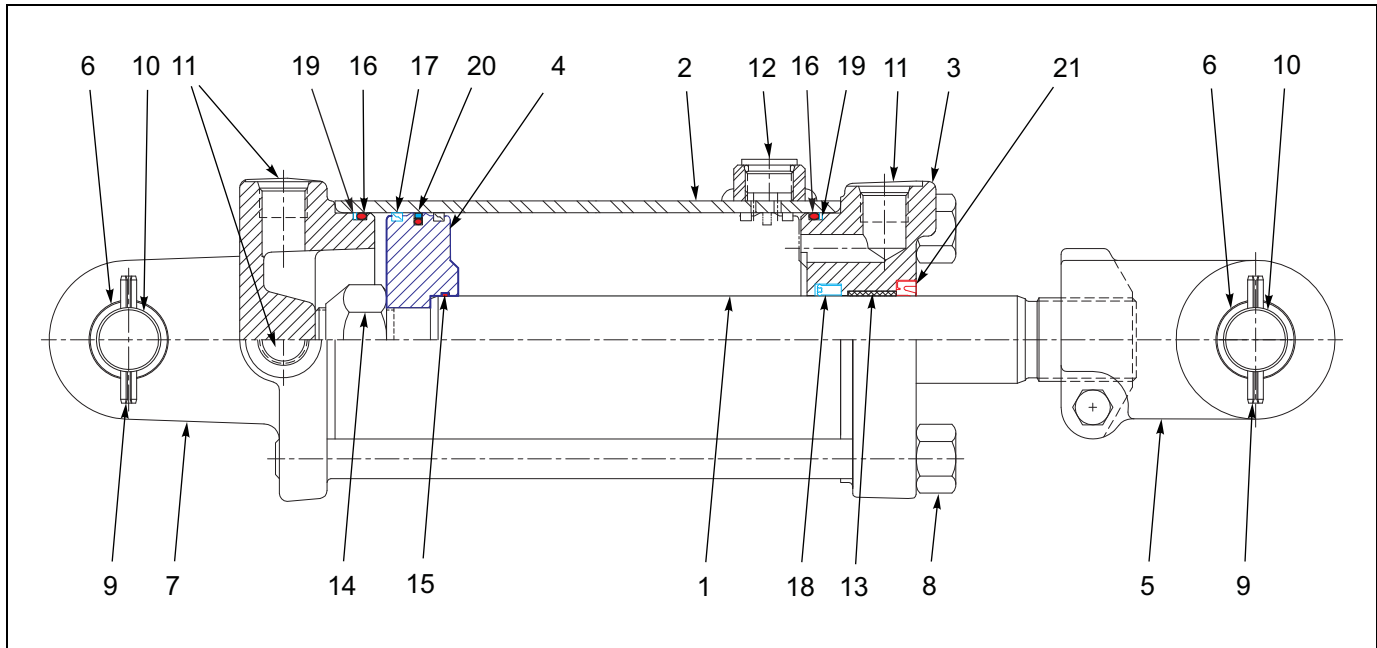


Figure 1-87: Cylinder - Rephase Assembly - 5 X 10

Cylinder - Rephase Assembly - 5 X 10

ITEM	PART NO.	DESCRIPTION	QTY.
--	213770	CYL, 5 X 10, REPHASE 2-1/4 ROD (1-1/4" PIN)	
1	-----	PISTON ROD	1
2	-----	TUBE ASSEMBLY	1
3	218655	GLAND	1
4	-----	PISTON	1
5	137304	CLEVIS ASSY	1
6	135912	TENSION BUSHING	4
7	218654	BUTT CLEVIS ASSY	1
8	-----	TIEROD STUD W/ HEX NUT	4
9	111789	ROLL PIN	4
10	169550	CLEVIS PIN	2
11	-----	#8 SAE HEX HEAD PLUG	3
12	-----	#8 SAE HOLLOW HEX PLUG	1
13	218656	DU BUSHING	1
14	-----	LOCKNUT	1
15	-----	O- RING	1
16	-----	O- RING	2
17	-----	PISTON BEARING RING	1
18	-----	U- CUP	1
19	-----	BU- WASHER	2
20	-----	TEFLON SEAL	1
21	-----	CANNED WIPER	1
22	218657	PACKING KIT (NOT SHOWN) (INCLUDES ITEMS 15-21)	

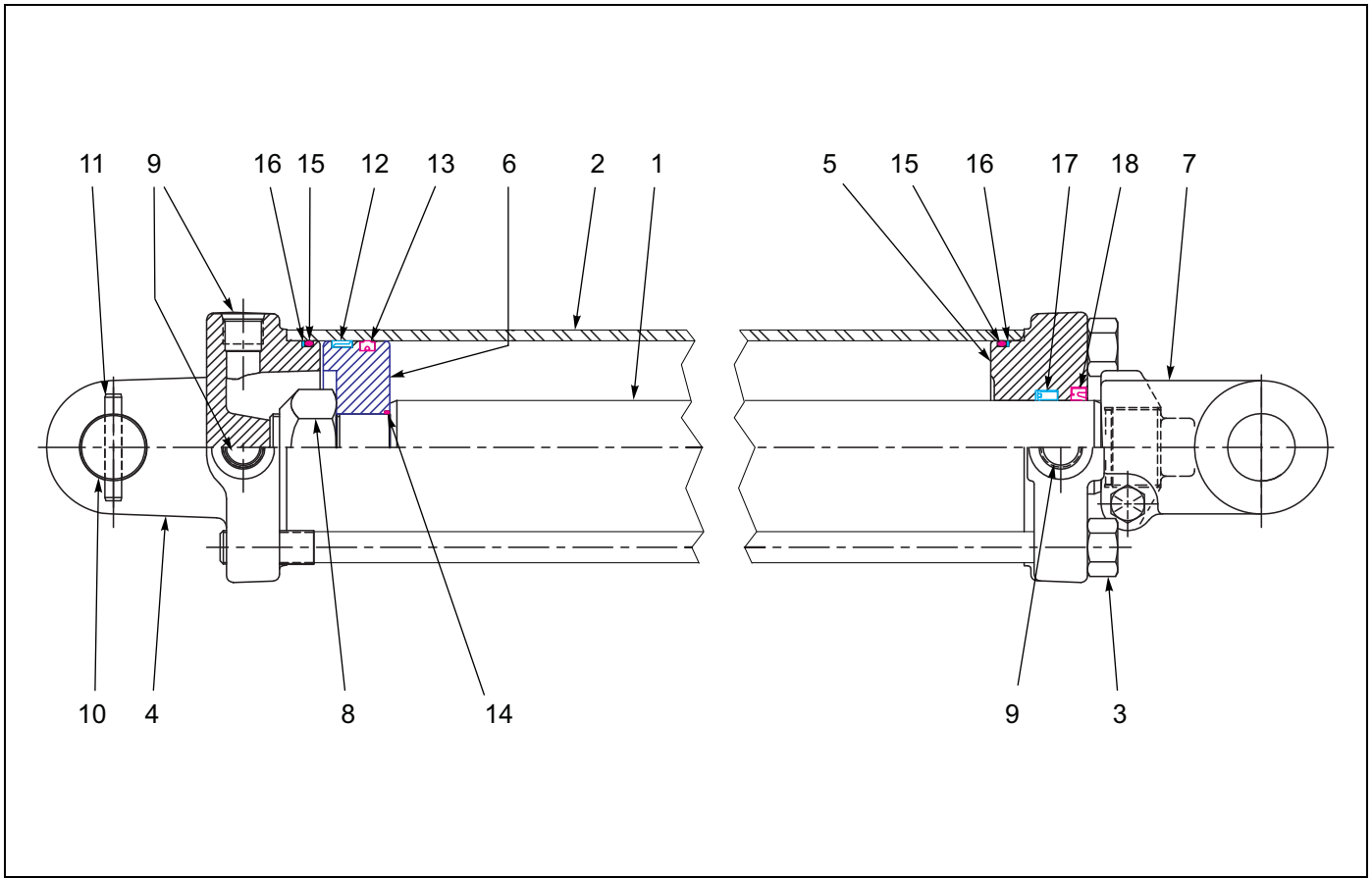


Figure 1-88: Cylinder - 4" X 30" (1-1/2" Dia Rod)

Cylinder - 4" X 30" (1-1/2" Dia Rod)

ITEM	PART NO.	DESCRIPTION	QTY.
--	140472	CYLINDER 4X30 1-1/2 ROD	
1	----	PISTON ROD	1
2	----	TUBE	1
3	----	TIEROD ASSY	4
4	142119	BUTT CLEVIS ASSY	1
5	142120	GLAND	1
6	----	PISTON	1
7	100000328	CLEVIS ASSY	1
8	----	LOCKNUT	1
9	----	SHIPPING PLUG	3
10	111880	CLEVIS PIN	1
11	111789	ROLL PIN	2
12	----	BEARING RING	1
13	----	CROWN SEAL	1
14	----	O- RING	1
15	----	O- RING	2
16	----	BU- WASHER	2
17	----	U- CUP	1
18	----	CANNED WIPER	1
19	142113	PACKING KIT (NOT SHOWN) (INCLUDES ITEMS 12-18)	

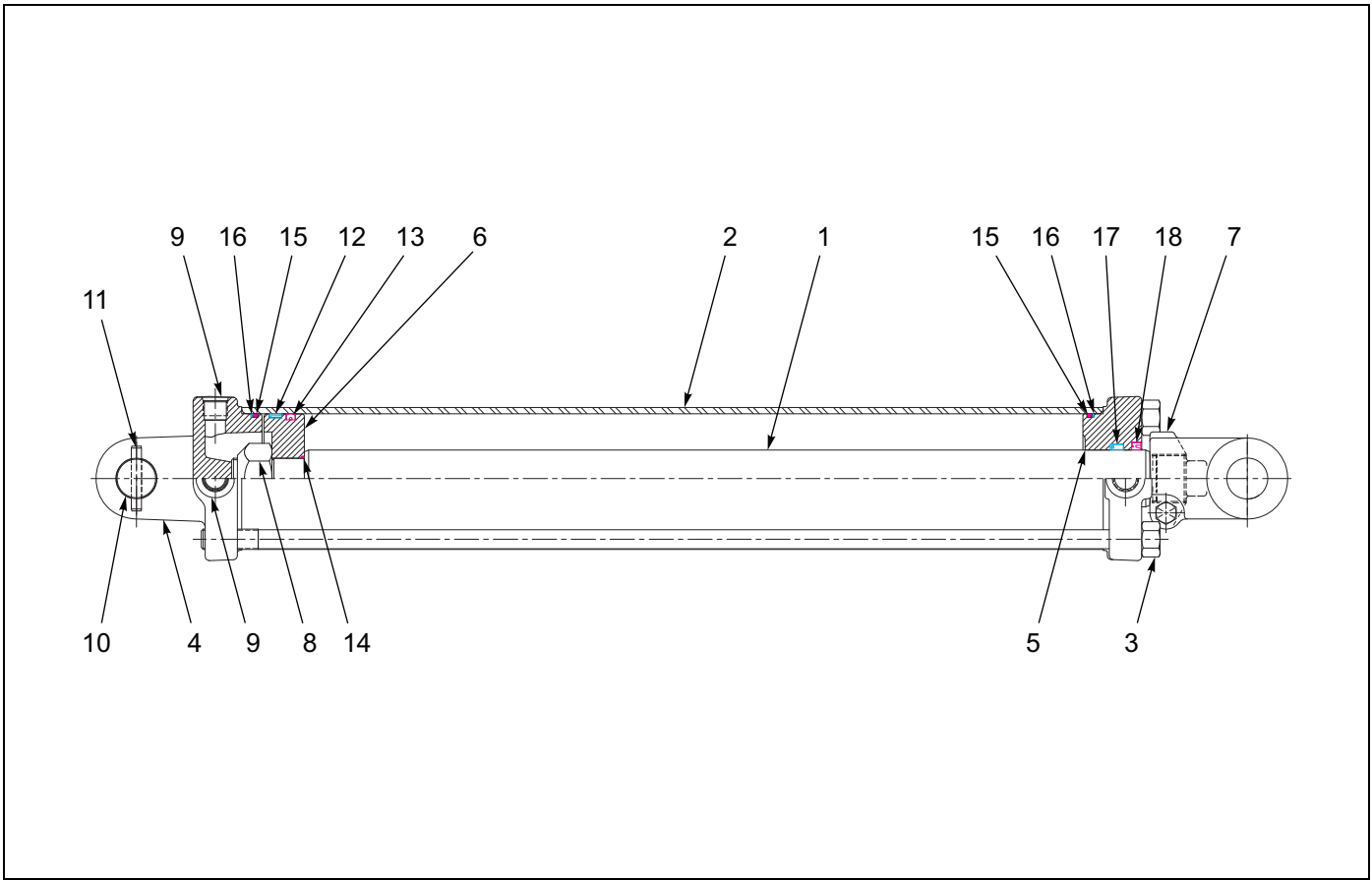


Figure 1-89: Cylinder - 4-1/2" X 30" (2" Dia Rod)

Cylinder - 4-1/2" X 30" (2" Dia Rod)

ITEM	PART NO.	DESCRIPTION	QTY.
--	167575	CYLINDER, 4-1/2 X 30, 2DIA ROD	
1	----	PISTON ROD	1
2	----	TUBE	1
3	----	TIEROD ASSEMBLY	4
4	218648	BUTT	1
5	169549	GLAND	1
6	----	PISTON	1
7	100000362	CLEVIS ASSEMBLY	1
8	----	LOCKNUT	1
9	----	PORT PLUG	3
10	169550	CLEVIS PIN	1
11	111789	ROLL PIN	2
12	----	BEARING RING	2
13	----	CROWN SEAL	1
14	----	O-RING	1
15	----	O-RING	2
16	----	BU-WASHER	2
17	----	U-CUP	1
18	----	WIPER	2
19	169552	PACKING KIT (ITEMS 12-18)	

Electrical

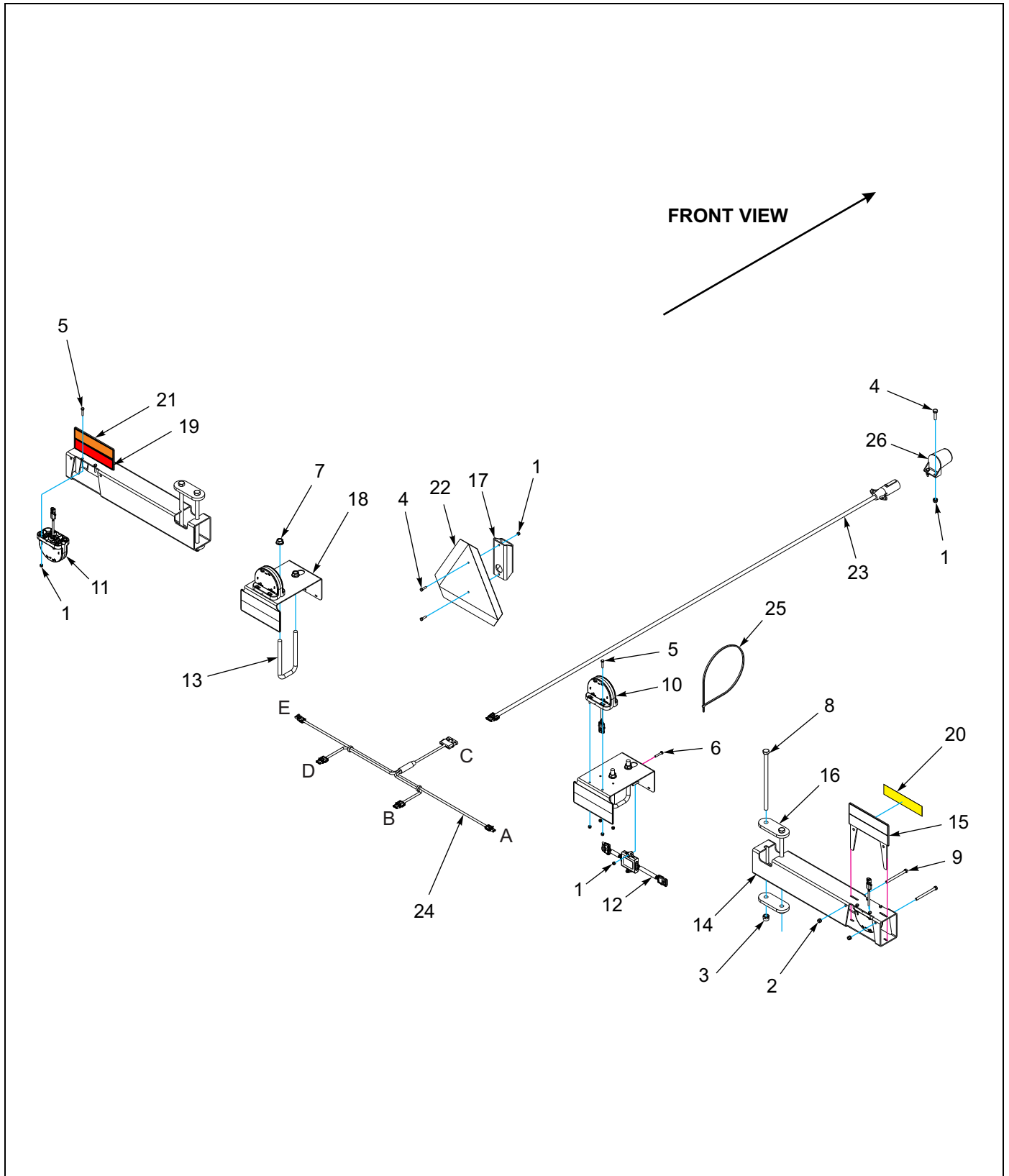


Figure 1-90: Electrical Assembly W/LED Lights (1 of 2)

7-PIN CONN.	4-PIN TOWER	CIRCUIT	WIRE COLOR
1	D	GROUND	WHITE 
2	-	WORK LAMPS	BLACK 
3	B	LEFT FLASHING & TURN	YELLOW 
4	-	STOP LAMPS	RED 
5	A	RIGHT FLASHING & TURN	GREEN 
6	-	TAIL LAMPS	BROWN 
7	C	SWITCHED POWER (12 V)	BLUE 

MAIN WARNING LIGHT HARNESS - WIRING CHART

	1	2	3	4	5
	2-PIN TOWER	3-PIN TOWER	6-PIN SHROUD	3-PIN TOWER	2-PIN TOWER
 BLACK LEFT TURN			A	C	
 WHITE GROUND	A	A	B	A	A
 BROWN TAIL LIGHT		B	C	B	
 YELLOW LEFT TURN			D		B
 GREEN RIGHT TURN	B		E		
 RED RIGHT TURN			F		

REAR WARNING LIGHT HARNESS - WIRING CHART

Figure 1-91: Electrical Assembly W/ LED Lights (2 of 2)

Electrical Assembly W/ LED Lights

ITEM	PART NO.	DESCRIPTION	QTY.
1	1-512-010005-01	NUT,HEX,SLFLKG GRB 1/4-20	20
2	1-512-010005-05	NUT, HEX, SLFLKG GRB 3/8-16	2
3	1-512-010005-13	NUT,HEX SLFLKG GRB 5/8-11	4
4	1-654-010047-06	SCREW,HX CP 1/4-20UNCX1 GR5	2
5	1-654-010047-07	SCREW,HX CP 1/4-20UNCX1-1/4G5	16
6	1-654-010047-08	SCREW HX CP,1/4-20UNCX1-1/2G5	2
7	100827	NUT,FLG HD,SERRATED,5/8-11	4
8	101387	SCREW HX CP 5/8-11UNCX11-1/2	4
9	129698	SCREW,HXCP,3/8-16UNCX4-1/2GR5	2
10	174435	LAMP, AG RED SINGLE LED	2
11	174436	LAMP, AG AMBER SINGLE LED	2
12	174437	MODULE, AG FLASHER CONTROL	1
13	182420	U-BOLT 5/8-11X7-1/2X3-11/16	2
14	188658	TUBE, LIGHT BAR-30"	2
15	188661	PLATE, REFLECTOR	2
16	188662	PLATE, CLAMP	4
17	191984	MOUNT, SMV	1
18	191985	MOUNT, REFLECTOR	2
19	528933	REFLECTOR - RED	4
20	528934	REFLECTOR - YELLOW	2
21	528938	STRIPE, ORANGE	4
22	70260977	SMV EMBLEM	1
23	174438	HARNESS, MAIN WARNING LIGHT (NOTE: THE COLOR OF THE WIRE JACKET DOES NOT NECESSARILY MATCH THE COLOR MARKING OF THE 7 PIN CONNECTOR)	1
24	174439	HARNESS, REAR WARNING LIGHT	1
25	105874	TIE SELF LOCKING 19"	1
26	2-368-010287	HARNESS, STOR-AWAY	1

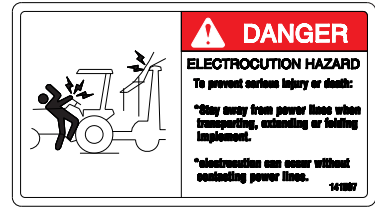
Decals



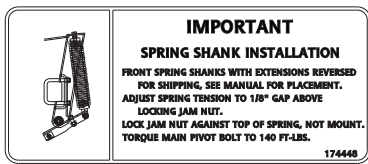
1



5



10



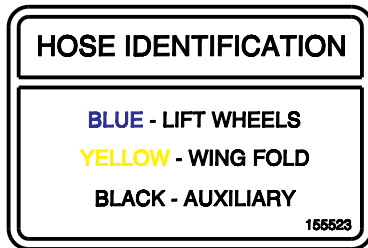
2



6



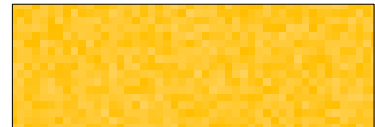
11



3



7



12



4



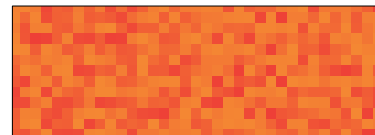
8



13



9



14

Figure 1-92: Decal Arrangement (1 of 2)

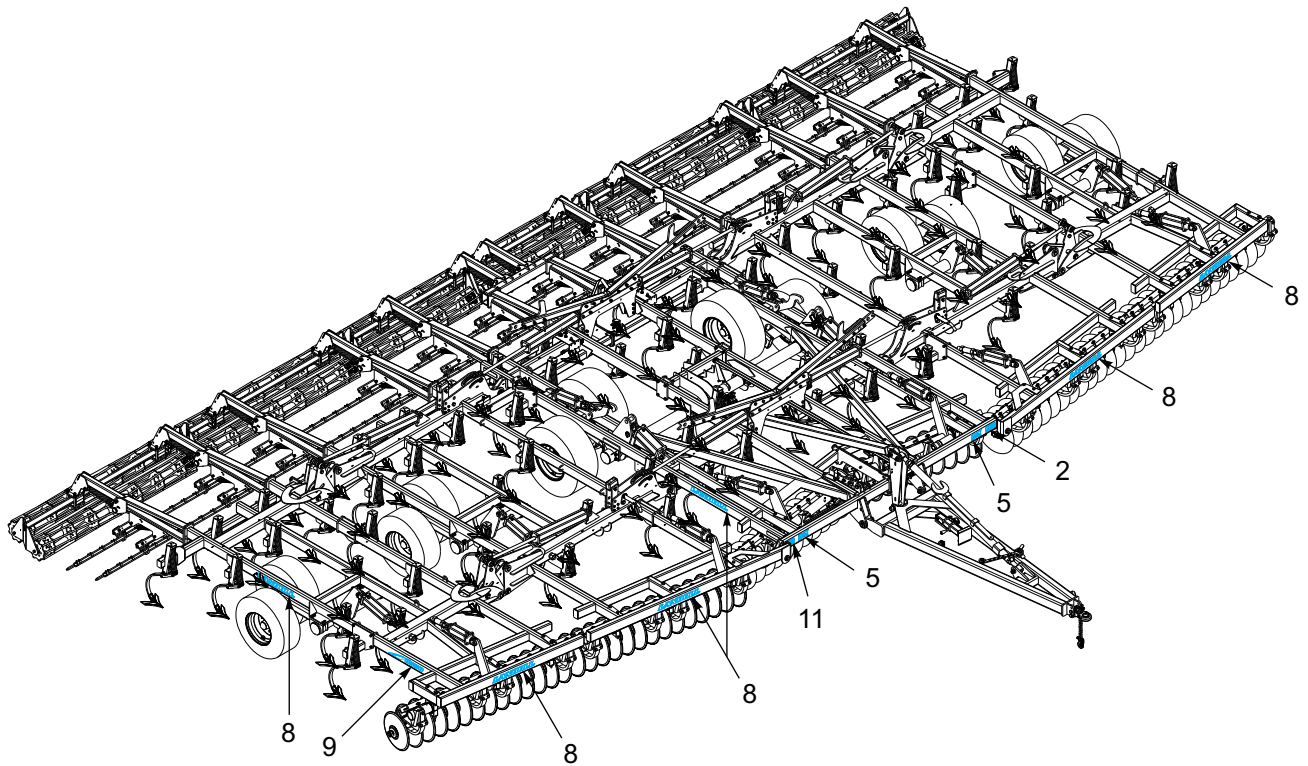


Figure 1-93: Decal Locations (2 of 2)

Decal Arrangement & Locations

ITEM	PART NO.	DESCRIPTION	QTY.
1	1-573-010006	PLACARD, NAME	1
2	174448	DECAL, IMPORTANT	1
3	155523	DECAL, HOSE IDENTIFICATION	1
4	2-573-010198	DECAL, MEMBER FEMA	1
5	141259	DECAL, LANDOLL, YELLOW	2
6	8-573-010084	DECAL, WARNING BEFORE OPERATING	1
7	144193	DECAL, SIS, 20 MPH	1
8	141260	DECAL, LANDOLL	7
9	190902	DECAL, MODEL 8550	3
10	141597	DECAL, DANGER ELECTRODUCTION	1
11	2-573-010037	DECAL, DANGER WING	2
12	528934	REFLECTOR, YELLOW, 2 X 9	4
13	528933	REFLECTOR, RED, 2 X 9	4
14	528938	REFLECTOR, ORANGE, 2 X 9	4

Numerical Index

Numerics

006-115-00	1-19	108628	1-25
100000328	1-131	108676	1-33, 1-35
100000362	1-132	108705	1-91
100576	1-83	111789	1-3, 1-5, 1-98, 1-122, 1-123, 1-124, 1-125, 1-126, 1-127, 1-128, 1-129, 1-130, 1-131, 1-132
100693	1-36, 1-37, 1-38	111871	1-123, 1-125, 1-128
1-007-010025	1-109, 1-111, 1-113, 1-120	111880	1-131
100808	1-21	111962	1-16
100825	1-21	112120	1-58, 1-59, 1-61
100827	1-135	114616	1-7
100829	1-7, 1-9, 1-63, 1-67	116100	1-7, 1-9, 1-11
100830	1-9	116110	1-98
100855	1-3, 1-5, 1-11	116436	1-111
101162	1-19	116491	1-101, 1-104, 1-107
101385	1-7, 1-9	116492	1-104, 1-113
101387	1-135	117163	1-104, 1-107, 1-115
101988	1-47, 1-49, 1-55, 1-57, 1-73, 1-75, 1-77	117259	1-101, 1-104, 1-107
102-1130	1-109, 1-111, 1-113, 1-121	117916	1-111
102-1138	1-120	117957	1-63, 1-67
102271	1-85	119118	1-13, 1-15
102498	1-16, 1-17	122709	1-24
102600	1-13, 1-15, 1-16	122917	1-25
102601	1-16, 1-17	124133	1-109, 1-111, 1-113
102604	1-16, 1-17	125566	1-122
103103-002	1-19	126108	1-11
103153	1-127	127712	1-13, 1-15
103841	1-21	128874	1-7
105106	1-19	129263	1-91
105107	1-19	129698	1-135
105874	1-135	1-298-010001-1	1-13, 1-15, 1-22, 1-27, 1-89
1-065-010012	1-89	133662	1-33
107470	1-83	133937	1-47, 1-49
		135421	1-23

135912	1-127, 1-128, 1-129, 1-130	141259	1-138
137304	1-127, 1-130	141260	1-138
137598	1-101, 1-104	141263	1-31
137600	1-101, 1-113	141266	1-7, 1-9, 1-21
137601	1-101, 1-104, 1-107	141301	1-123, 1-124, 1-125, 1-126, 1-128, 1-129
137602	1-101, 1-104, 1-107	141597	1-138
137702	1-127	141776	1-29
137931	1-27	141807	1-21
137943	1-93	141808	1-47, 1-49, 1-55, 1-73, 1-75
139139	1-27	141809	1-57, 1-77
139201	1-73, 1-75, 1-77, 1-85, 1-87	141826	1-101, 1-104, 1-107, 1-115, 1-117, 1-119
139213	1-109, 1-111, 1-113	141828	1-101, 1-104, 1-107, 1-109, 1-111, 1-113, 1-115, 1-117, 1-119
1-397-010369324	1-113, 1-119	141864	1-107
1400548	1-101, 1-104, 1-107	141881	1-101, 1-115, 1-117, 1-119
1404013	1-19	141889	1-101
140469	1-29	142103	1-125
140470	1-109, 1-111, 1-113, 1-126	142109	1-124, 1-126, 1-129
140471	1-109, 1-111, 1-113, 1-125	142110	1-123, 1-124, 1-125, 1-126
140472	1-101, 1-104, 1-107, 1-131	142111	1-126
140477	1-29, 1-93	142112	1-122, 1-123, 1-124, 1-125, 1-126
140479	1-29, 1-93	142113	1-131
140480	1-29, 1-93	142114	1-124, 1-126
140485	1-29	142116	1-123, 1-125
140487	1-29	142119	1-131
140519	1-11, 1-13, 1-15	142120	1-131
140533	1-3	142122	1-98
140599	1-7, 1-9, 1-24, 1-63, 1-67, 1-73, 1-75, 1-77, 1-85, 1-87	1422176	1-101, 1-104, 1-107, 1-111
140610	1-24	142753	1-3
140649	1-24	143971	1-85, 1-87
141154	1-9, 1-29	143994	1-122, 1-123, 1-124, 1-125, 1-126
141209	1-11	144048	1-25
141228	1-53	144115	1-7, 1-9, 1-11, 1-21
141234	1-11	144155	1-29
141241	1-31	144193	1-138
141246	1-21	144264	1-63, 1-65
141247	1-21	144342	1-104
141249	1-21	144343	1-101, 1-107

144493	1-7, 1-11, 1-21	1-512-010007-07	1-21
145201	1-115, 1-117, 1-119, 1-124	1-512-010007-08	1-33, 1-35
145202	1-115, 1-117, 1-119, 1-123	1-512-010007-14 .	1-63, 1-67, 1-73, 1-77, 1-85, 1-87
145203 ..	1-101, 1-104, 1-107, 1-115, 1-117, 1-119, 1-122	1-512-010007-16	1-21
145204	1-101, 1-104, 1-107	151528	1-55, 1-57
145208	1-40	151550	1-29
145209	1-41	1-516-010001-20	1-16, 1-17
145212	1-39	152209	1-63, 1-67
147582 ...	1-101, 1-104, 1-107, 1-109, 1-111, 1-113	152210	1-63, 1-67, 1-73, 1-77, 1-85, 1-87
147745	1-124	153260	1-107
147748	1-123	153621	1-117
147755	1-3, 1-5, 1-127	153696	1-21
148085	1-122	153716	1-93
148087	1-122	154181	1-93
148088	1-122	154182	1-93
148089	1-122	154184	1-93
148097	1-128, 1-129	154185	1-93
148337	1-93	154186	1-93
148386	1-29	154392	1-63, 1-67
149193	1-29	154393	1-93
149581	1-24	154407	1-50, 1-93
149582	1-24	154409	1-51, 1-93
150273	1-104	154410	1-52, 1-93
1-510-010003-09	1-63, 1-67, 1-83	154656	1-93
1-511-010001-07	1-33	154658	1-93
1-512-010005-01	1-3, 1-21, 1-135	154659	1-93
1-512-010005-03	1-21, 1-25	154748	1-63, 1-67
1-512-010005-05	1-11, 1-21, 1-31, 1-47, 1-49, 1-55, 1-57, 1-73, 1-75, 1-77, 1-94, 1-95, 1-135	154994	1-83
1-512-010005-09 ..	1-7, 1-9, 1-13, 1-15, 1-29, 1-31, 1-33, 1-35, 1-47, 1-49, 1-83, 1-89, 1-98	154995	1-83
1-512-010005-13	1-3, 1-7, 1-9, 1-11, 1-13, 1-15, 1-21, 1-23, 1-29, 1-36, 1-37, 1-38, 1-50, 1-51, 1-52, 1-53, 1-58, 1-59, 1-61, 1-63, 1-65, 1-67, 1-73, 1-75, 1-77, 1-85, 1-87, 1-89, 1-91, 1-93, 1-135	154997	1-83
1-512-010005-15	1-3, 1-5, 1-7, 1-9, 1-11, 1-24, 1-29, 1-30, 1-47, 1-49, 1-55, 1-57, 1-58, 1-59, 1-61, 1-63, 1-67, 1-73, 1-75, 1-77, 1-85, 1-87, 1-89	154998	1-83
1-512-010005-19 ..	1-7, 1-9, 1-11, 1-21, 1-30, 1-55, 1-57, 1-63, 1-67, 1-73, 1-75, 1-77, 1-85, 1-87	155005	1-83
		155344	1-63, 1-67
		155523	1-138
		155528	1-109, 1-111, 1-113
		155529	1-101, 1-104, 1-107
		155544	1-93
		155617	1-29, 1-39, 1-40, 1-41

155618	1-29, 1-39, 1-40, 1-41	164124	1-11, 1-21
155619	1-29, 1-39, 1-40, 1-41	164146	1-33
1-557-010362-51	1-16, 1-17, 1-63, 1-65, 1-87	164147	1-33
155927	1-83	164192	1-33
155956	1-83	164307	1-119
155971	1-83	164308	1-113
156778	1-83	164309	1-117, 1-119
156785	1-73, 1-77, 1-85, 1-87	164315	1-83
156945	1-101, 1-115, 1-117, 1-119	164318	1-83
156964	1-109, 1-111, 1-113	164319	1-83
156972	1-13, 1-15, 1-16	164320	1-83
156973	1-16	164336	1-85
156974	1-16	164490	1-7, 1-9
156979	1-16	164501	1-11
156992	1-13, 1-15	164539	1-7, 1-9
157001	1-13, 1-15	164540	1-7, 1-9
157019	1-13, 1-15	164541	1-7, 1-9
1-573-010006	1-138	164546	1-7, 1-9
158795	1-63, 1-67	164555	1-7
158803	1-24	164557	1-19
158847	1-63, 1-67	164564	1-7, 1-9, 1-98
158896	1-63, 1-67, 1-73, 1-77, 1-85, 1-87	164565	1-7, 1-9, 1-98
158897	1-63, 1-67, 1-73, 1-77, 1-87	1-647-010004221	1-27, 1-73, 1-77, 1-85, 1-87
159569	1-107	1-647-010004236	1-63, 1-67
159954	1-3, 1-7, 1-9	1-647-010004240	1-7, 1-9, 1-11
159955	1-3, 1-7, 1-9	1-647-010004257	1-29
159970	1-16	164861	1-49, 1-57, 1-77
15G816ER	1-13, 1-15	165235	1-13, 1-15
160161	1-29	165236	1-13, 1-15
160656	1-7, 1-9	165257	1-21
161550	1-22	165258	1-25
162904	1-33	165259	1-25
162905	1-33, 1-35	165260	1-25
162906	1-33	165265	1-21
162930	1-33	165266	1-98
1-630-010021-03	1-25	165283	1-3, 1-5
163719	1-7	165286	1-11

165287	1-109, 1-111, 1-113, 1-120	1-654-010070-02	1-29, 1-63, 1-67, 1-83
165295	1-7, 1-9	1-654-010070-03	1-31, 1-91
1-654-010032-05	1-93	1-654-010070-04	1-89
1-654-010032-09	1-29, 1-30	1-654-010070-11	1-83
1-654-010047-06	1-3, 1-21, 1-135	1-654-010070-13	1-83
1-654-010047-07	1-135	1-654-010070-14	1-83
1-654-010047-08	1-135	1-654-010125-18	1-73, 1-75, 1-77, 1-87
1-654-010049-03	1-19	166148	1-94, 1-95
1-654-010049-19	1-21	166160	1-33
1-654-010051-06	1-11, 1-21	166171	1-75
1-654-010051-11	1-31, 1-47, 1-49, 1-55, 1-57, 1-73, 1-75, 1-77	166175	1-47, 1-49
1-654-010051-15	1-21	166176	1-47, 1-49
1-654-010055-02	1-47, 1-49, 1-55, 1-57, 1-73, 1-75, 1-77	166177	1-47, 1-49, 1-73, 1-77
1-654-010055-05	1-47, 1-49, 1-55, 1-57, 1-73, 1-75, 1-77	166199	1-35
1-654-010055-09	1-47, 1-49, 1-55, 1-57, 1-73, 1-75, 1-77	166200	1-35
1-654-010055-11	1-7, 1-9, 1-98	166201	1-35
1-654-010055-14	1-83, 1-98	166237	1-49
1-654-010055-15	1-13, 1-15	166241	1-63
1-654-010055-17	1-35	166242	1-47, 1-49, 1-55, 1-57, 1-73, 1-75, 1-77
1-654-010059-05	1-7, 1-9, 1-13, 1-15, 1-36, 1-37, 1-38, 1-50, 1-51, 1-52	166329	1-85
1-654-010059-06	1-35, 1-50, 1-51, 1-52	166336	1-83
1-654-010059-07	1-11, 1-21	166338	1-85, 1-87
1-654-010059-15	1-9, 1-59, 1-61	166340	1-91
1-654-010059-16	1-63, 1-65, 1-85, 1-87	166341	1-89, 1-91
1-654-010059-17	1-85	166342	1-89, 1-91
1-654-010061-05	1-11	166343	1-89, 1-91
1-654-010061-07	1-24	166344	1-91
1-654-010061-15	1-47, 1-49, 1-55, 1-57, 1-73, 1-75, 1-77, 1-85, 1-87	166346	1-89
1-654-010061-16	1-3, 1-5, 1-89	166421	1-65
1-654-010061-19	1-21	166629	1-7
1-654-010061-21	1-7, 1-30	166717	1-25
1-654-010061-23	1-47, 1-49	167553	1-11
1-654-010061-25	1-63, 1-67	167554	1-63
1-654-010065-13	1-30	167575	1-101, 1-104, 1-107, 1-132
		167586	1-19
		167593	1-7, 1-9
		167594	1-7, 1-9
		167637	1-29

167649	1-19	172509	1-29, 1-47, 1-49, 1-55, 1-57, 1-73, 1-75, 1-77, 1-91
168379	1-85	172528	1-93
168728	1-68, 1-69, 1-71, 1-78, 1-79, 1-81, 1-89	172529	1-51, 1-93
168729	1-69, 1-79, 1-89	172581	1-21
168730	1-71, 1-81, 1-89	172662	1-33
168739	1-73, 1-75, 1-77, 1-87	172666	1-33
168750	1-89	172667	1-33
168751	1-57, 1-77	172670	1-33
168752	1-85, 1-87	172671	1-33
168753	1-85, 1-87	172672	1-33
168757	1-85	172673	1-47, 1-49, 1-55, 1-57, 1-63, 1-65, 1-73, 1-75, 1-77, 1-87
168758	1-85	172677	1-73, 1-77, 1-85, 1-87
168759	1-85	173018	1-9, 1-98
168762	1-85, 1-87	174404	1-3
168763	1-83	174435	1-135
168764	1-55, 1-57, 1-73, 1-75, 1-77	174436	1-135
168788	1-85	174437	1-135
168799	1-78, 1-79, 1-81, 1-83	174438	1-135
168800	1-79, 1-83	174439	1-135
168801	1-81, 1-83	174448	1-138
168892	1-109, 1-111, 1-113	174526	1-91
168897	1-47, 1-49	174532	1-91
169549	1-132	174708	1-25
169550	1-130, 1-132	174709	1-25
169552	1-132	176625	1-63, 1-65, 1-87
169749	1-11	176631	1-89
169752	1-11	176634	1-91
170258	1-11	176635	1-89, 1-91
170260	1-11	176636	1-89, 1-91
170291	1-7, 1-11, 1-98	176637	1-89, 1-91
170302	1-17	176638	1-91
170310	1-17	176655	1-89
171070	1-13, 1-15	176656	1-89
171107	1-17	176772	1-3, 1-5
171771	1-17	177030	1-22
171772	1-17	177032	1-22
171773	1-17		

179655	1-13, 1-15	184723	1-9
179746	1-23	184724	1-7
179756	1-29	184726	1-7
179757	1-29	184733	1-9
179758	1-29	184735	1-9
179760	1-29	184742	1-11
179761	1-29	184769	1-19
179763	1-27	184775	1-21
179766	1-29, 1-40	184780	1-21
179767	1-41	184784	1-109, 1-111, 1-113, 1-127
179770	1-39	185660	1-21, 1-109, 1-111, 1-113
179771	1-39, 1-40, 1-41	185697	1-47, 1-49, 1-57, 1-73, 1-75, 1-77
179839	1-55, 1-57	185724	1-39, 1-40, 1-41
179840	1-55	185757	1-91
179841	1-57	185928	1-33, 1-35
179842	1-55	186100	1-39, 1-40, 1-41
179843	1-57	1-861-010005	1-16, 1-17
179844	1-55, 1-57	1-861-010032-06	1-19
179846	1-55, 1-57	1-861-010032-07	1-3
179848	1-55, 1-57	1-861-010032-11	1-21
179933	1-19	1-861-010032-13	1-33, 1-35
180117	1-115, 1-117	1-861-010032-15	1-7, 1-9, 1-83
180120	1-25	1-861-010032-19	1-33, 1-36, 1-85, 1-87
181799	1-109, 1-111, 1-113	1-861-010032-24	1-21, 1-73, 1-77, 1-85, 1-87
181933	1-21, 1-109, 1-111, 1-113	1-861-010032-32	1-24
181938	1-21, 1-109, 1-111, 1-113	1-861-010034-10	1-19
182391	1-3, 1-7, 1-9	1-861-010034-12	1-33, 1-35
182401	1-29, 1-39, 1-40, 1-41	1-861-010034-14	1-91
182420	1-135	1-861-010034-17	1-29, 1-93
183749	1-7, 1-9	1-861-010034-21	1-63, 1-67, 1-93
183925	1-31	186162	1-42, 1-43, 1-45, 1-49
183926	1-31	186163	1-42, 1-43, 1-45, 1-49
183927	1-31	186178	1-94
183946	1-27	186179	1-94
183966	1-7, 1-9	186180	1-94
183967	1-23	186181	1-94
183968	1-23	186182	1-94
184713	1-63, 1-67	186183	1-94

186187	1-42, 1-43, 1-45, 1-50, 1-51, 1-52, 1-68, 1-69, 1-71, 1-94	187142	1-3, 1-5
186188	1-42, 1-43, 1-45, 1-50, 1-68, 1-69, 1-71, 1-94	187151	1-21, 1-24
186189	1-42, 1-43, 1-50, 1-68, 1-69, 1-94	187152	1-24
186190	1-43, 1-51, 1-69, 1-94	187155	1-39, 1-40, 1-41
186191	1-45, 1-71, 1-94	187156	1-39, 1-40, 1-41
186192	1-45, 1-52, 1-71, 1-94	187180	1-21, 1-27
186193	1-47, 1-49, 1-55, 1-57, 1-73, 1-75, 1-77	187181	1-27
186195	1-42, 1-43, 1-45, 1-47	187182	1-27
186196	1-49, 1-57, 1-77	187511	1-50, 1-51, 1-52, 1-93
186200	1-47, 1-49, 1-55, 1-57, 1-73, 1-75, 1-77	187512	1-93
186204	1-47, 1-49, 1-55, 1-57, 1-73, 1-75, 1-77	187515	1-93
186205	1-47, 1-49, 1-55, 1-57, 1-73, 1-75, 1-77	187517	1-47, 1-49, 1-55, 1-57, 1-73, 1-75, 1-77
186207	1-55	187548	1-50, 1-51, 1-52, 1-55
186210	1-47, 1-49, 1-55, 1-57, 1-73, 1-75, 1-77	187549	1-50, 1-51, 1-52, 1-55
187035	1-41	187571	1-63, 1-65
187036	1-41	187575	1-63, 1-65
187037	1-40	187577	1-63
187038	1-40	187584	1-63, 1-65
187039	1-39	187585	1-63, 1-67
187040	1-39	188038	1-29, 1-30
187050	1-39	188535	1-5
187051	1-39	188536	1-21
187052	1-39	188537	1-25
187053	1-39	188539	1-30
187054	1-40	188541	1-30
187055	1-40	188562	1-13, 1-15
187056	1-40	188563	1-13, 1-15
187057	1-40	188586	1-9
187058	1-41	188587	1-7
187059	1-41	188593	1-7, 1-9
187060	1-41	188594	1-3, 1-5
187061	1-41	188595	1-3, 1-5
187122	1-5	188637	1-17, 1-21
187123	1-5	188639	1-11
187124	1-9	188640	1-17
187125	1-9	188648	1-9
187126	1-5	188649	1-29

188658	1-135	190942	1-3
188661	1-135	190943	1-3
188662	1-135	190944	1-15
188676	1-78	190945	1-15
188677	1-79	190987	1-11
188678	1-81	191459	1-73, 1-75, 1-77, 1-87
188679	1-68	191923	1-120
188680	1-69	191974	1-11, 1-19
188681	1-71	191976	1-19
188682	1-42	191984	1-3, 1-5, 1-135
188683	1-43	191985	1-135
188684	1-45	191988 ..	1-101, 1-104, 1-107, 1-109, 1-111, 1-113, 1-120
188685	1-58	192804	1-85
188686	1-59	192807	1-73, 1-75, 1-77, 1-85, 1-87
188687	1-61	192890	1-13, 1-15
188688	1-50	193021	1-65
188689	1-51	193025	1-67
188690	1-52	193026	1-58, 1-59, 1-61, 1-65
188742	1-7	193030	1-63, 1-65
188774 ...	1-101, 1-104, 1-107, 1-115, 1-117, 1-119	193031	1-63, 1-65
189404	1-95	193032	1-50, 1-51, 1-52, 1-57
189406	1-95	193033	1-50, 1-51, 1-52, 1-57
189407	1-95	193037	1-53
189408	1-95	193042	1-50, 1-51, 1-52, 1-53, 1-58, 1-59
189417	1-58, 1-59, 1-61, 1-95	193091	1-11
189419	1-59, 1-95	193149	1-121
189420	1-61, 1-95	193161	1-11
189421	1-61, 1-95	193164	1-3
189433	1-3, 1-7, 1-9, 1-53	193165	1-3
189451	1-21, 1-22	193182	1-7, 1-9
189453	1-22	193183	1-21
189454	1-22	194693	1-63, 1-65
189467	1-22	195647	1-109
189468	1-22	198322	1-13, 1-15
190902	1-138	198344	1-13, 1-15
190923	1-13, 1-15	198351	1-11
190924	1-13, 1-15	199359	1-73, 1-75, 1-77, 1-87
190927	1-101, 1-104, 1-107, 1-121		

199376	1-87	204387	1-11
199377	1-87	204548	1-13, 1-15
199378	1-87	2062-8-8S	1-21, 1-109, 1-111, 1-113, 1-120, 1-121
199389	1-87	2071-8-8S	1-101, 1-104, 1-107, 1-120
199390	1-87	207849	1-13, 1-15
199392	1-73, 1-75, 1-77, 1-87	208435	1-127
200129	1-13, 1-15	2-095-010017	1-83
200218	1-91	209728	1-109, 1-111, 1-113, 1-129
200221	1-91	209729	1-109, 1-111, 1-113, 1-128
200222	1-91	2-102-010004	1-33
200233	1-63, 1-67	2-102-010032	1-58, 1-59, 1-61
200236	1-63, 1-67	2-102-010062	1-31
200237	1-63, 1-67	210316	1-13, 1-15
200238	1-91	210320	1-13, 1-15
200240	1-58, 1-59, 1-61, 1-63	210321	1-13, 1-15
200241	1-58, 1-59, 1-61, 1-63	210322	1-13, 1-15
200242	1-58, 1-59, 1-61, 1-67	210323	1-13, 1-15
200253	1-58, 1-59, 1-61, 1-91	212046	1-13, 1-15
200254	1-58, 1-59, 1-61, 1-91	213770	1-109, 1-111, 1-113, 1-130
200255	1-59, 1-91	2-150-010008	1-3, 1-5, 1-15
200256	1-61, 1-91	2-150-010174	1-3, 1-5, 1-11, 1-13, 1-15
200257	1-91	215341	1-13, 1-15
200259	1-91	215351	1-13, 1-15
200310	1-13, 1-15	215352	1-13, 1-15
202702-10-8S	1-21, 1-109, 1-111, 1-113	2-181-010001	1-21
202702-8-8S	1-109, 1-111, 1-113, 1-120, 1-121	218638	1-129
203003-8-8S	1-109, 1-111, 1-113	218639	1-129
203005-8-8S	1-120	218640	1-128, 1-129
203089	1-68, 1-69, 1-71, 1-73	218641	1-127
203090	1-75	218643	1-122
203091	1-68, 1-69, 1-71, 1-77	218648	1-132
203092	1-68, 1-69, 1-71, 1-77	218652	1-128
203098	1-78, 1-79, 1-81, 1-87	218653	1-128
203102-8-8S	1-101, 1-104, 1-107, 1-120	218654	1-130
203138	1-63, 1-67	218655	1-130
203182	1-36, 1-37, 1-38	218656	1-130
204386	1-11	218657	1-130

23085 1-29

2-368-010287 1-21, 1-135

2-474-010022 1-121

2-557-010009 1-47, 1-49, 1-55, 1-57, 1-73, 1-75, 1-77

2-573-010037 1-138

2-573-010198 1-138

2-689-010057 1-33, 1-35

29SFFL 5811 ... 1-33, 1-35, 1-36, 1-37, 1-38, 1-47,
1-49, 1-55, 1-57, 1-63, 1-65, 1-73, 1-75, 1-77, 1-85,
1-87

2P793 1-29, 1-30

3067 1-19

3-557-010415 1-23

4001060 1-16

4J411 1-23

5000 1-16, 1-17, 1-29

5013 1-19

528933 1-135, 1-138

528934 1-135, 1-138

528938 1-135, 1-138

6-102-010009 1-93

622-3511-008 1-29, 1-30

7/16-14X1-3/4PB 1-33, 1-35

70239854 1-3

70260977 1-3, 1-5, 1-135

71508983 1-101, 1-104, 1-107

71508984 1-101, 1-104, 1-107

71508987 1-101, 1-104, 1-107

71508988 1-101, 1-104, 1-107

71508990 1-101, 1-104, 1-107

71509000 1-109

71510821 1-109, 1-115

71600088 1-107

71600089 1-111

7K858 1-31

8-102-010012 ... 1-63, 1-67, 1-73, 1-75, 1-77, 1-85,
1-87, 1-89, 1-91

8-102-010017 1-94, 1-95

8-102-010043 1-85, 1-87

8-573-010084 1-138

8-630-010001 1-89

8-681-010008 1-36, 1-37, 1-38

8-681-010010 1-36, 1-37, 1-38

8-681-010013 1-36, 1-37, 1-38

8-681-010014 1-37, 1-38

8-689-010006 1-33, 1-35

8-689-010009 1-33, 1-35

8-720-010011 1-63, 1-65, 1-85, 1-87

8-861-010008 1-89

8-861-010009 1-89

8C520 1-47, 1-49, 1-55, 1-57, 1-75, 1-77

H

HM212011 1-19

HM212049 1-19

HM218210 1-19

HM218248 1-19

T

TR575 1-11, 1-13, 1-15

W

W908406-4 1-3, 1-5

Document Control Revision Log:

Date	Form #	New/Updated	Improvement(s): Description and Comments
11/01/2015	F-817	New	Initial Release
11/19/2018	F-817-1118	Update	ECN44047 walking beam revisions and cylinder updates
12/12/2018	F-817-1218	Update	Updated cylinders for Dealer Portal



Intertek

Equipment from Landoll Corporation is built to exacting standards ensured by ISO 9001 registration at all Landoll manufacturing facilities.

Model 8550 Finisholl Parts Manual

Re-Order Part Number F-817-1218

LANDOLL CORPORATION

1900 North Street
Marysville, Kansas 66508
(785) 562-5381
800-428-5655 ~ WWW.LANDOLL.COM



Copyright 2015. Landoll Corporation

“All rights reserved, including the right to reproduce this material or portions thereof in any form.”

Scan to go to www.landoll.com

