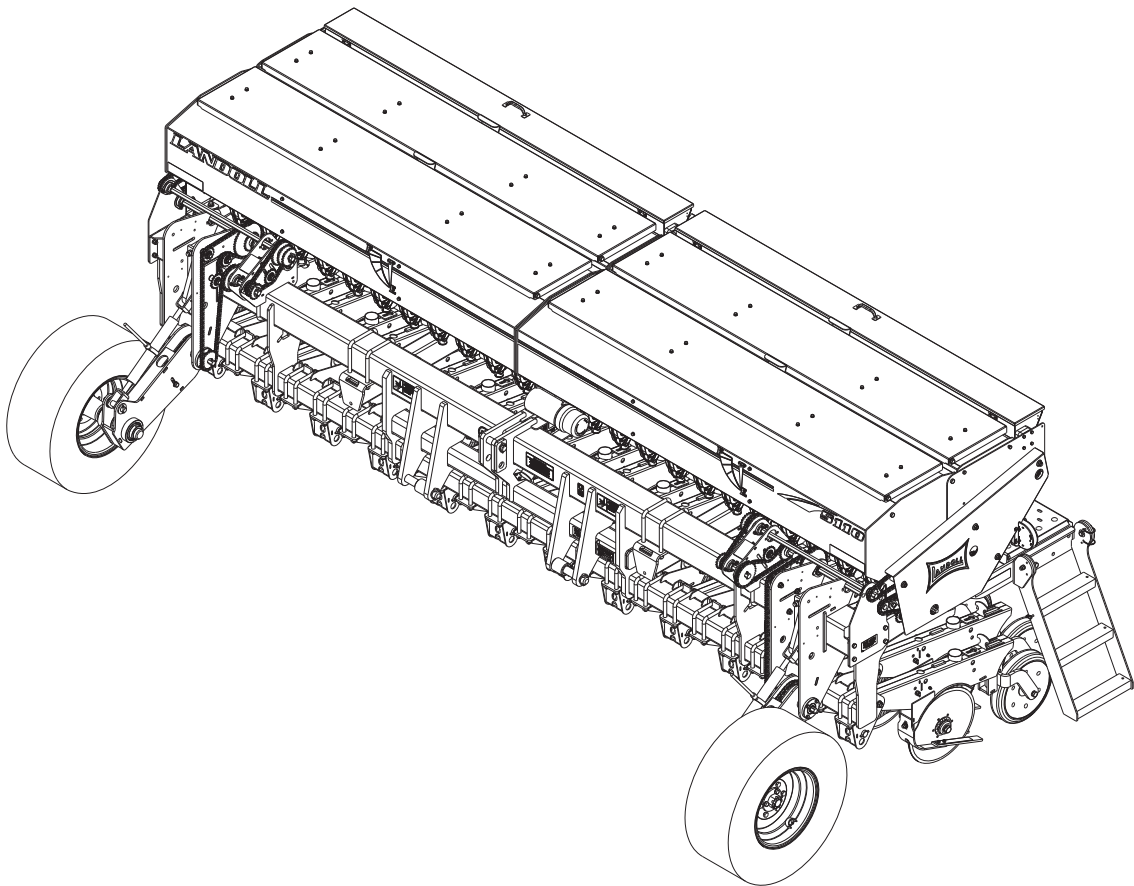




# Model 5110NG Native Grass Drill Parts Manual



**LANDOLL COMPANY, LLC**

1900 North Street

Marysville, Kansas 66508

(785) 562-5381

800-428-5655 ~ [WWW.LANDOLL.COM](http://WWW.LANDOLL.COM)

---

## Manuals for the 5110NG GD

| MANUAL NUMBER | MANUAL NAME                 |
|---------------|-----------------------------|
| F-1058        | 5110NG GD Operator's Manual |
| F-1059        | 5110NG GD Parts Manual      |

---

# Table of Contents

## 1 Illustrated Parts List

|   |             |
|---|-------------|
| <b>Instructions for Ordering Parts</b> .....                  | <b>1-1</b>  |
| <b>Frame Assemblies</b> .....                                 | <b>1-2</b>  |
| Frame Assembly 3-Point 5110-12-1/2' .....                     | 1-3         |
| Frame Assembly Pull Hitch 5110-12-1/2' .....                  | 1-5         |
| Frame Assembly 5110-15' .....                                 | 1-7         |
| Wheel Drive, Electrical, 3 Point Pin Assembly .....           | 1-9         |
| Ladder Assembly .....   | 1-10        |
| <b>Drive Assemblies</b> .....                                 | <b>1-12</b> |
| Gauge Wheel Assembly, 3-Point (5110-12-1/2') .....            | 1-13        |
| Drive Wheel Assembly .....                                    | 1-15        |
| NG Drive Assembly .....                                       | 1-19        |
| <b>Box Assemblies</b> .....                                   | <b>1-20</b> |
| Seed Box Assembly 12-1/2' x 7.5" 2 BU 5110NG-12.5' .....      | 1-21        |
| Meter Assembly 12-1/2' x 7.5" .....                           | 1-23        |
| Seed Box Assembly 7-1/2' x 7.5" 2 BU 5110NG-15' .....         | 1-25        |
| Meter Assembly 7-1/2' x 7.5" .....                            | 1-27        |
| Seed Meter Housing Assembly .....                             | 1-28        |
| NG Box Assembly 12-1/2' x 7.5" .....                          | 1-31        |
| Meter Assembly NG 12-1/2' x 7.5" NG .....                     | 1-33        |
| NG Box Assembly 7-1/2' x 7.5" .....                           | 1-35        |
| Meter Assembly NG 7-1/2' x 7.5" .....                         | 1-37        |
| Seed and Native Grass Boxes To Frame 5110NG-12-1/2' .....     | 1-39        |
| Seed and Native Grass Boxes To Frame 5110NG-15' .....         | 1-41        |
| Seedbox Assembly 72" 7.5 SP .....                             | 1-43        |
| Small Seed Boxes To Frame 5110NG-12.5' .....                  | 1-45        |
| Seedbox Assembly 87" 7.5 SP .....                             | 1-47        |
| Small Seed Boxes To Frame 5110NG-15' .....                    | 1-49        |
| Seed and Native Grass Drive Chain Assembly 5110NG-12.5' ..... | 1-51        |
| Seed and Native Grass Drive Chain Assembly 5110NG-15' .....   | 1-53        |
| Small Seed Drive Chain Assembly 5110NG-12.5' .....            | 1-55        |
| Small Seed Drive Chain Assembly 5110NG-15' .....              | 1-57        |
| <b>Opener Assemblies</b> .....                                | <b>1-58</b> |
| Opener Assembly .....   | 1-59        |
| Press Wheel Assembly .....                                    | 1-61        |
| Seed Tube Assembly Spring .....                               | 1-62        |
| <b>Hitch Assemblies (Optional)</b> .....                      | <b>1-64</b> |
| Hitch Assembly 5110NC-12-1/2' .....                           | 1-65        |
| Front Jack Assembly 5110NC-12-1/2' .....                      | 1-67        |
| Hitch Assembly 5110NC-15' .....                               | 1-69        |
| Hub And Spindle Assembly, 8 Bolt .....                        | 1-73        |
| 4 X 10 Hydraulic Cylinder .....                               | 1-76        |
| Drive Wheel Assembly, Pull Hitch 5110NC-12-1/2' .....         | 1-79        |
| <b>Electrical Assemblies</b> .....                            | <b>1-81</b> |
| Electrical Assembly .....                                     | 1-83        |

**Decals** ..... **1-84**  
    Decals ..... 1-87

**VMonitor Assemblies** ..... **1-88**  
    Drill Monitor Loup Mini Assembly ..... 1-89  
    Electronic Acre Meter Assembly ..... 1-91

## **2 Index**



# Illustrated Parts List

## Instructions for Ordering Parts

**\*\* Repair parts must be ordered through an Authorized Dealer \*\***

### DEALER INSTRUCTIONS FOR ORDERING PARTS FROM LANDOLL PARTS DISTRIBUTION CENTER

Phone #: [800-423-4320](tel:800-423-4320) or [785-562-5381](tel:785-562-5381)

Fax #: [888-527-3909](tel:888-527-3909)

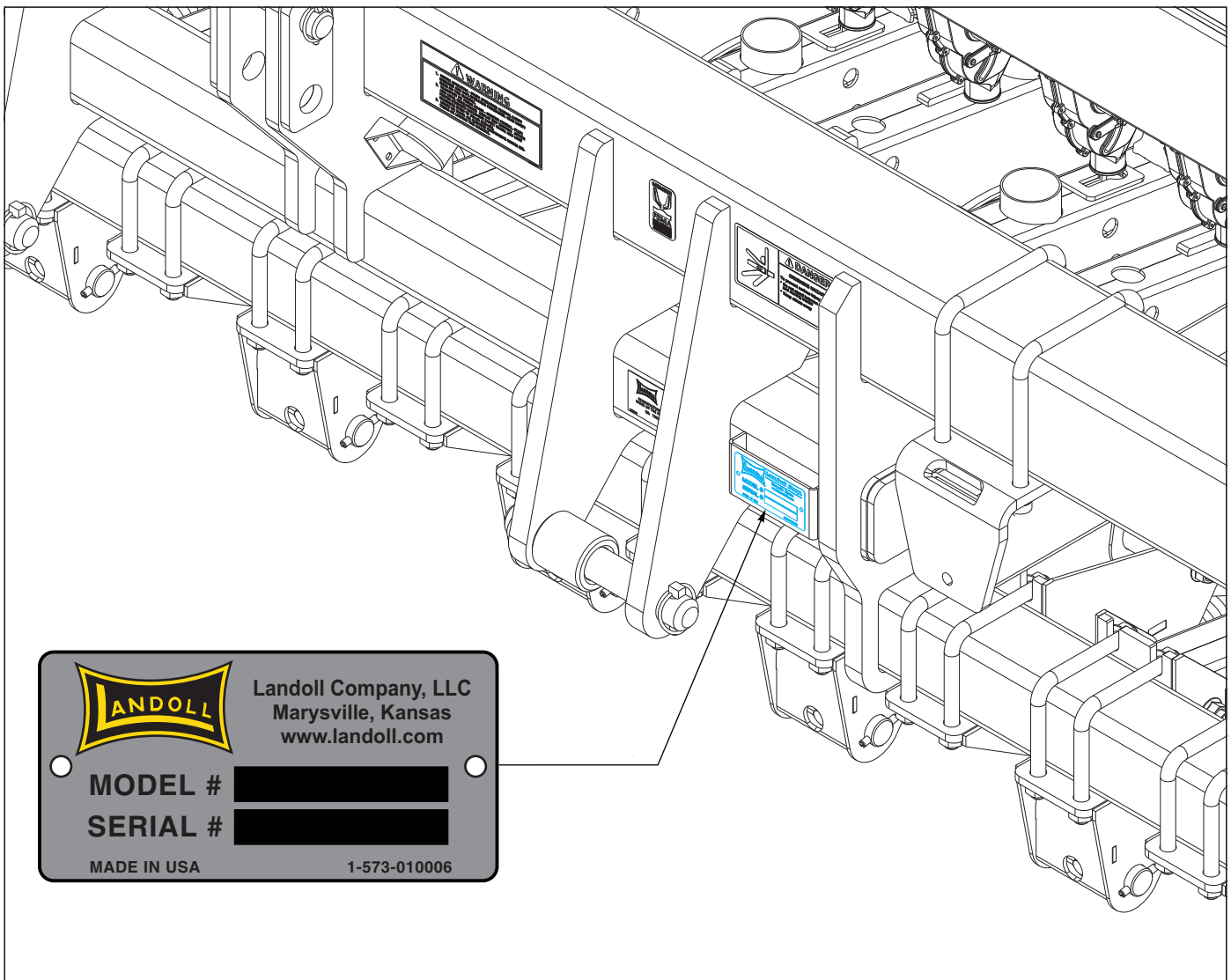
Order online: [dealer.landoll.com](http://dealer.landoll.com)

### IDENTIFICATION PLATE

*See Figure 1-1* The identification plate, which lists the model number and serial number, is located on the left side of the hitch..

### SERIAL NUMBER NOMENCLATURE

The serial number for the Landoll 5110NG Native Grass Drill is located on the identification plate.



**Figure 1-1: Identification Plate**

# Frame Assemblies

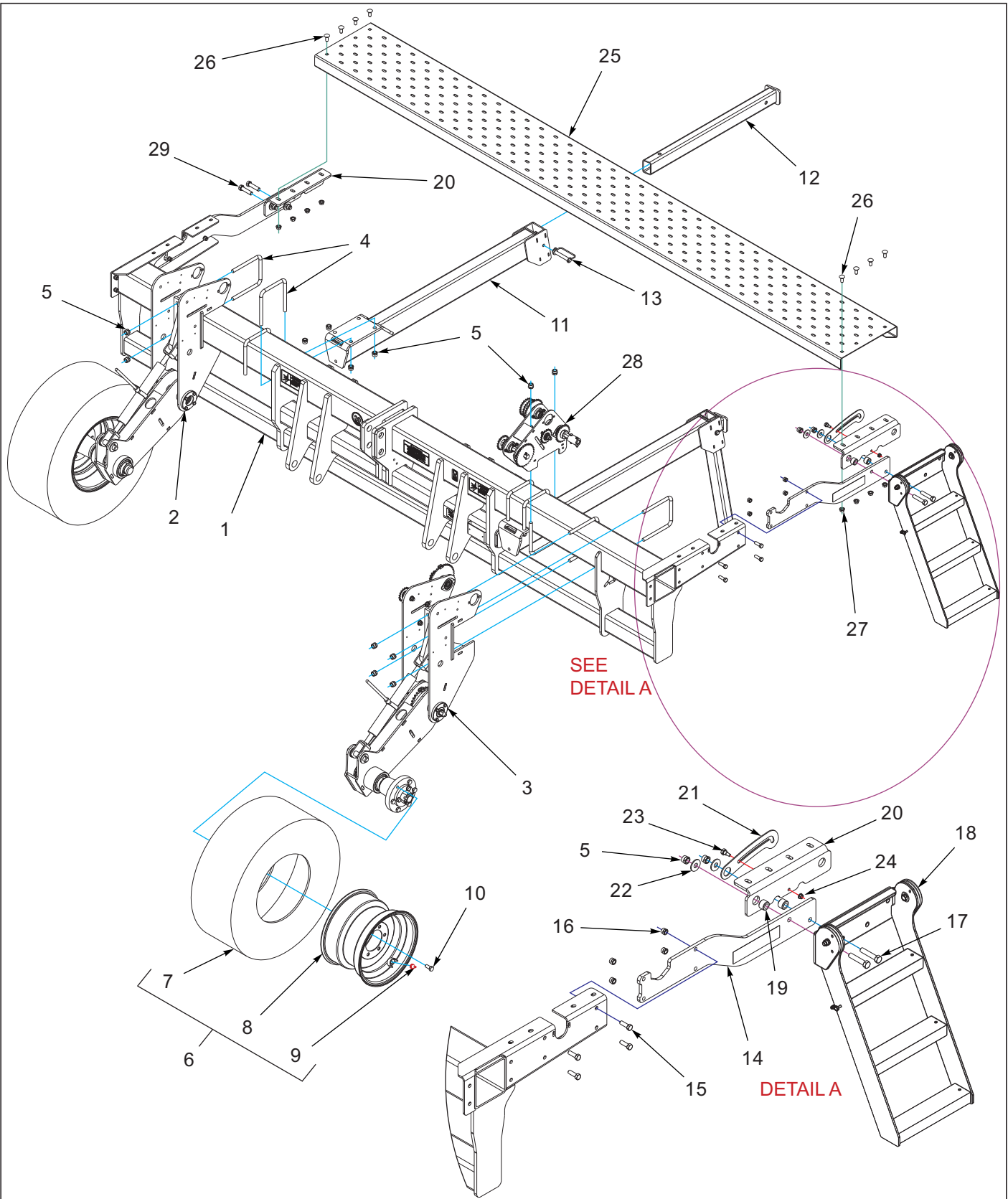


Figure 1-2: Frame Assembly 3-Point 5110-12-1/2'

## Frame Assembly 3-Point 5110-12-1/2'

| ITEM | PART NO.        | DESCRIPTION                                | QTY. |
|------|-----------------|--|------|
| 1    | 214840          | FRAME, DRILL 3PT 12-1/2' WLDMT             | 1    |
| 2    | 229040          | GAUGE WHEEL ASSY, RIGID (SEE PAGE 1-13)    | 1    |
| 3    | 216463          | DRIVE WHEEL ASSY, RIGID LT (SEE PAGE 1-15) | 1    |
| 4    | 141269          | U-BOLT, WING STABILIZER                    | 9    |
| 5    | 1-512-010005-13 | NUT,HEX SLFLKG GRB 5/8-11                  | 20   |
| 6    | 142650          | TIRE/WHEEL ASSY 280/70R15                  | 2    |
| 7    | 204384          | FIRESTONE RADIAL 280/70R15                 | 2    |
| 8    | 140547          | WHEEL, 15 X 10 LB 6 BOLT                   | 2    |
| 9    | 415             | VALVE STEM                                 | 2    |
| 10   | 1-104-010001    | WHEEL BOLT                                 | 12   |
| 11   | 221149          | MOUNT, PARKING STAND WLDMT                 | 2    |
| 12   | 221150          | STAND, PARKING WLDMT                       | 2    |
| 13   | 3-557-010415    | PIN 5/8 W/L                                | 2    |
| 14   | 222351          | MOUNT, WALKBOARD NG/FERTILIZER             | 2    |
| 14   | 221140          | MOUNT, WALKBOARD SS & FERT/NG              | 2    |
| 15   | 1-654-010055-03 | SCREW,HEX CAP,1/2-13UNCX1-1/2              | 8    |
| 16   | 1-512-010005-09 | NUT,HEX,SLFLKG, 1/2-13 GRB                 | 8    |
| 17   | 1-654-010059-09 | SCREW 5/8-11UNCX3 HX CP GR5                | 2    |
| 18   | 154849          | LADDER ASSY 5530                           | 1    |
| 19   | 221137          | BUSHING, CLAMP 7/8 L                       | 4    |
| 20   | 151512          | BRACKET, WALKBOARD                         | 2    |
| 21   | 151513          | LATCH, WALKBOARD                           | 1    |
| 22   | 1-861-010032-19 | WASHER, FLAT 5/8 W ZP/CD                   | 4    |
| 23   | 2-095-010017    | BOLT, SHOULDER HEX HEAD                    | 1    |
| 24   | 107470          | NUT, SPIRALOCK 3/8-16HX                    | 1    |
| 25   | 221143          | WALKBOARD, 147"                            | 1    |
| 26   | 1-654-010070-02 | SCREW 1/2-13X1-1/4 RD HD SQNK              | 8    |
| 27   | 1-510-010003-09 | NUT,1/2-13 FLANGE HD,SERRATED              | 8    |
| 28   | 215971          | DRIVE ASSY, NG LEFT (SEE PAGE 1-19)        | 1    |
| 29   | 1-654-010059-07 | SCREW HX CP 5/8-11UNCX2-1/2G5              | 2    |

ILLUSTRATED PARTS LIST

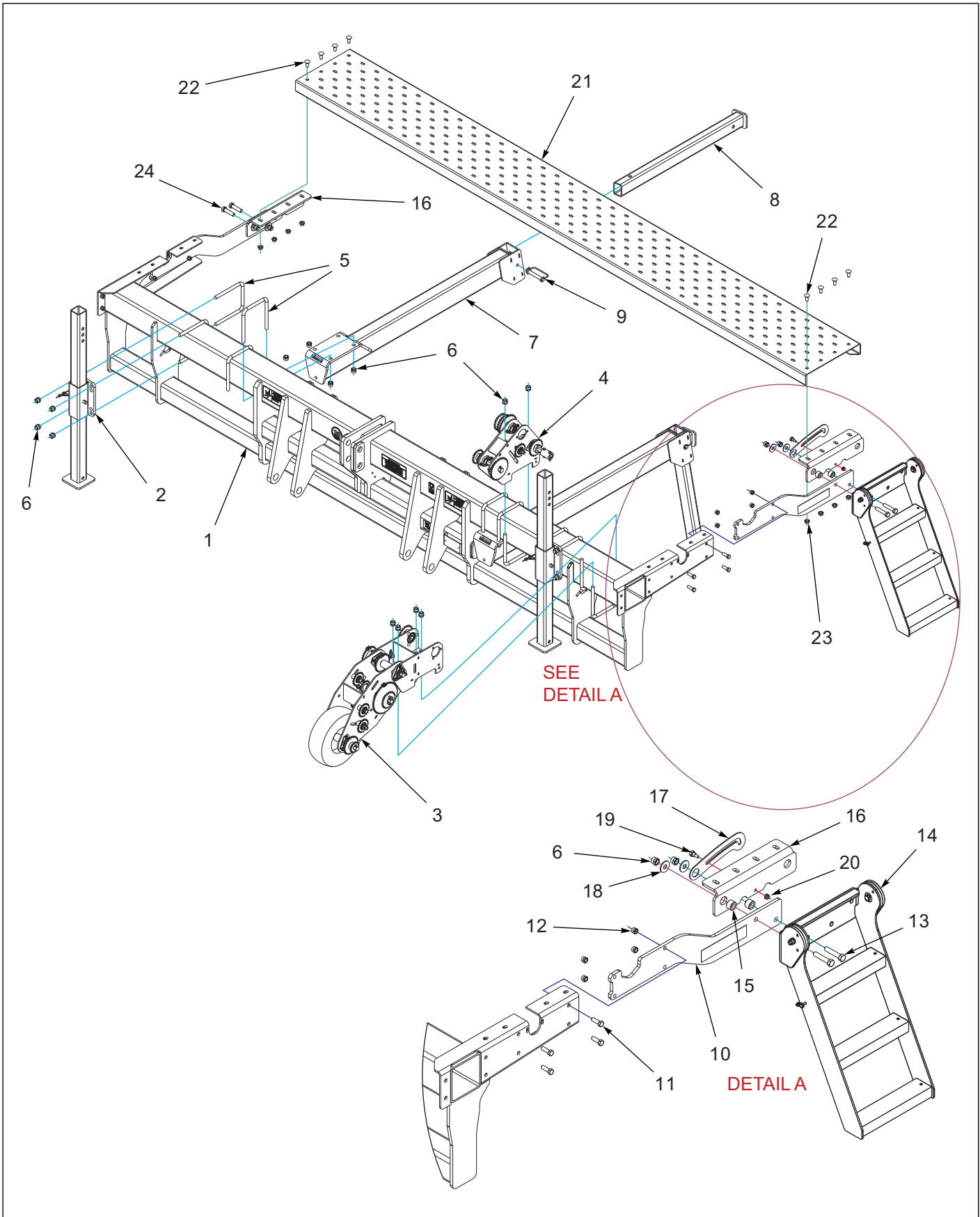


Figure 1-3: Frame Assembly Pull Hitch 5110-12-1/2'

## Frame Assembly Pull Hitch 5110-12-1/2'

| ITEM | PART NO.        | DESCRIPTION                         | QTY. |
|------|-----------------|-------------------------------------|------|
| 1    | 214840          | FRAME, DRILL 3PT 12-1/2' WLDMT      | 1    |
| 2    | 224682          | ASSY, JACK STAND (SEE PAGE 1-67)    | 2    |
| 3    | 224553          | DRIVE WHEEL ASSY LT (SEE PAGE 1-79) | 1    |
| 4    | 215971          | DRIVE ASSY, NG LEFT (SEE PAGE 1-19) | 1    |
| 5    | 141269          | U-BOLT, WING STABILIZER             | 9    |
| 6    | 1-512-010005-13 | NUT,HEX SLFLKG GRB 5/8-11           | 20   |
| 7    | 221149          | MOUNT, PARKING STAND WLDMT          | 2    |
| 8    | 221150          | STAND, PARKING WLDMT                | 2    |
| 9    | 3-557-010415    | PIN 5/8 W/L                         | 2    |
| 10   | 222351          | MOUNT, WALKBOARD NG/FERTILIZER      | 2    |
| 10   | 221140          | MOUNT, WALKBOARD SS & FERT/NG       | 2    |
| 11   | 1-654-010055-03 | SCREW,HEX CAP,1/2-13UNCX1-1/2       | 8    |
| 12   | 1-512-010005-09 | NUT,HEX,SLFLKG, 1/2-13 GRB          | 8    |
| 13   | 1-654-010059-09 | SCREW 5/8-11UNCX3 HX CP GR5         | 2    |
| 14   | 154849          | LADDER ASSY 5530                    | 1    |
| 15   | 221137          | BUSHING, CLAMP 7/8 L                | 4    |
| 16   | 151512          | BRACKET, WALKBOARD                  | 2    |
| 17   | 151513          | LATCH, WALKBOARD                    | 1    |
| 18   | 1-861-010032-19 | WASHER, FLAT 5/8 W ZP/CD            | 4    |
| 19   | 2-095-010017    | BOLT, SHOULDER HEX HEAD             | 1    |
| 20   | 107470          | NUT, SPIRALOCK 3/8-16HX             | 1    |
| 21   | 221143          | WALKBOARD, 147"                     | 1    |
| 22   | 1-654-010070-02 | SCREW 1/2-13X1-1/4 RD HD SQNK       | 8    |
| 23   | 1-510-010003-09 | NUT,1/2-13 FLANGE HD,SERRATED       | 8    |
| 24   | 1-654-010059-07 | SCREW HX CP 5/8-11UNCX2-1/2G5       | 2    |

ILLUSTRATED PARTS LIST

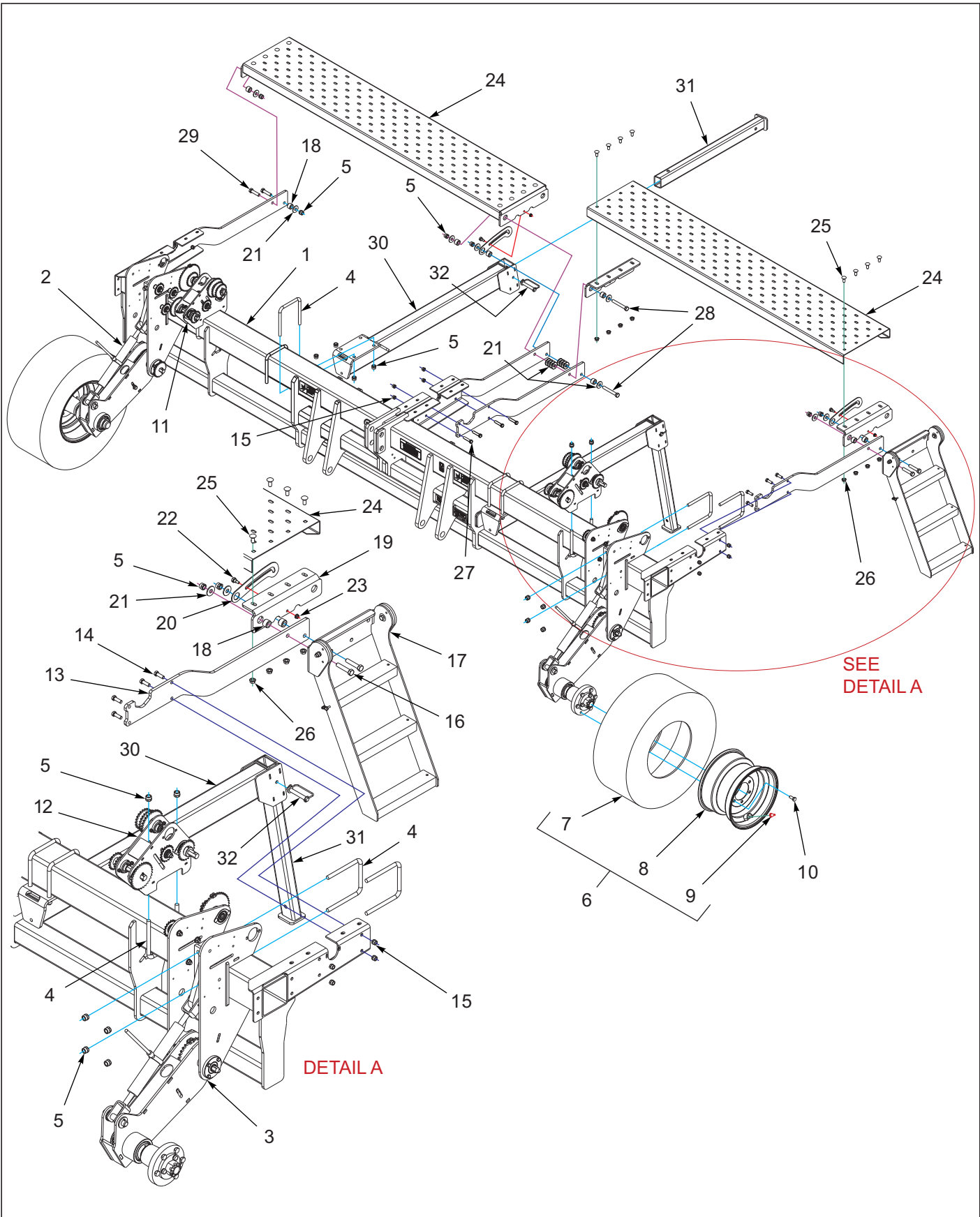


Figure 1-4: Frame Assembly 5110-15'

## Frame Assembly 5110-15'

| ITEM | PART NO.        | DESCRIPTION   | QTY. |
|------|-----------------|---|------|
| 1    | 214841          | FRAME, DRILL 3PT 15' WLDMT                            | 1    |
| 2    | 216462          | DRIVE WHEEL ASSY, RIGID RT <b>(SEE PAGE 1-19)</b>     | 1    |
| 3    | 216463          | DRIVE WHEEL ASSY, RIGID LT <b>(SEE PAGE 1-19)</b>     | 1    |
| 4    | 141269          | U-BOLT, WING STABILIZER                               | 10   |
| 5    | 1-512-010005-13 | NUT,HEX SLFLKG GRB 5/8-11                             | 26   |
| 6    | 142650          | TIRE/WHEEL ASSY 280/70R15 <b>(INCLUDES ITEMS 7-9)</b> | 2    |
| 7    | 204384          | FIRESTONE RADIAL 280/70R15                            | 2    |
| 8    | 140547          | WHEEL, 15 X 10 LB 6 BOLT                              | 2    |
| 9    | 415             | VALVE STEM  | 2    |
| 10   | 1-104-010001    | WHEEL BOLT  | 12   |
| 11   | 215970          | DRIVE ASSY, NG RIGHT                                  | 1    |
| 12   | 215971          | DRIVE ASSY, NG LEFT                                   | 1    |
| 13   | 222351          | MOUNT, WALKBOARD NG/FERTILIZER                        | 4    |
| 13   | 221140          | MOUNT, WALKBOARD SS & FERT/NG                         | 4    |
| 14   | 1-654-010055-03 | SCREW,HEX CAP,1/2-13UNCX1-1/2                         | 8    |
| 15   | 1-512-010005-09 | NUT,HEX,SLFLKG, 1/2-13 GRB                            | 12   |
| 16   | 1-654-010059-09 | SCREW 5/8-11UNCX3 HX CP GR5                           | 2    |
| 17   | 154849          | LADDER ASSY 5530 <b>(SEE PAGE 1-10)</b>               | 1    |
| 18   | 221137          | BUSHING, CLAMP 7/8 L                                  | 8    |
| 19   | 151512          | BRACKET, WALKBOARD                                    | 4    |
| 20   | 151513          | LATCH, WALKBOARD                                      | 2    |
| 21   | 1-861-010032-19 | WASHER, FLAT 5/8 W ZP/CD                              | 16   |
| 22   | 2-095-010017    | BOLT, SHOULDER HEX HEAD                               | 2    |
| 23   | 107470          | NUT, SPIRALOCK 3/8-16HX                               | 2    |
| 24   | 221141          | WALKBOARD, 87"  | 2    |
| 25   | 1-654-010070-02 | SCREW 1/2-13X1-1/4 RD HD SQNK                         | 16   |
| 26   | 1-510-010003-09 | NUT,1/2-13 FLANGE HD,SERRATED                         | 16   |
| 27   | 169690          | SCREW HXCP1/2-13UNCX2-1/4 G5                          | 4    |
| 28   | 1-654-010059-14 | SCREW HX CP,5/8-11UNCX4-1/2G5                         | 2    |
| 29   | 1-654-010059-07 | SCREW HX CP 5/8-11UNCX2-1/2G5                         | 2    |
| 30   | 221149          | MOUNT, PARKING STAND WLDMT                            | 2    |
| 31   | 221150          | STAND, PARKING WLDMT                                  | 2    |
| 32   | 3-557-010415    | PIN 5/8 W/L   | 2    |



ILLUSTRATED PARTS LIST

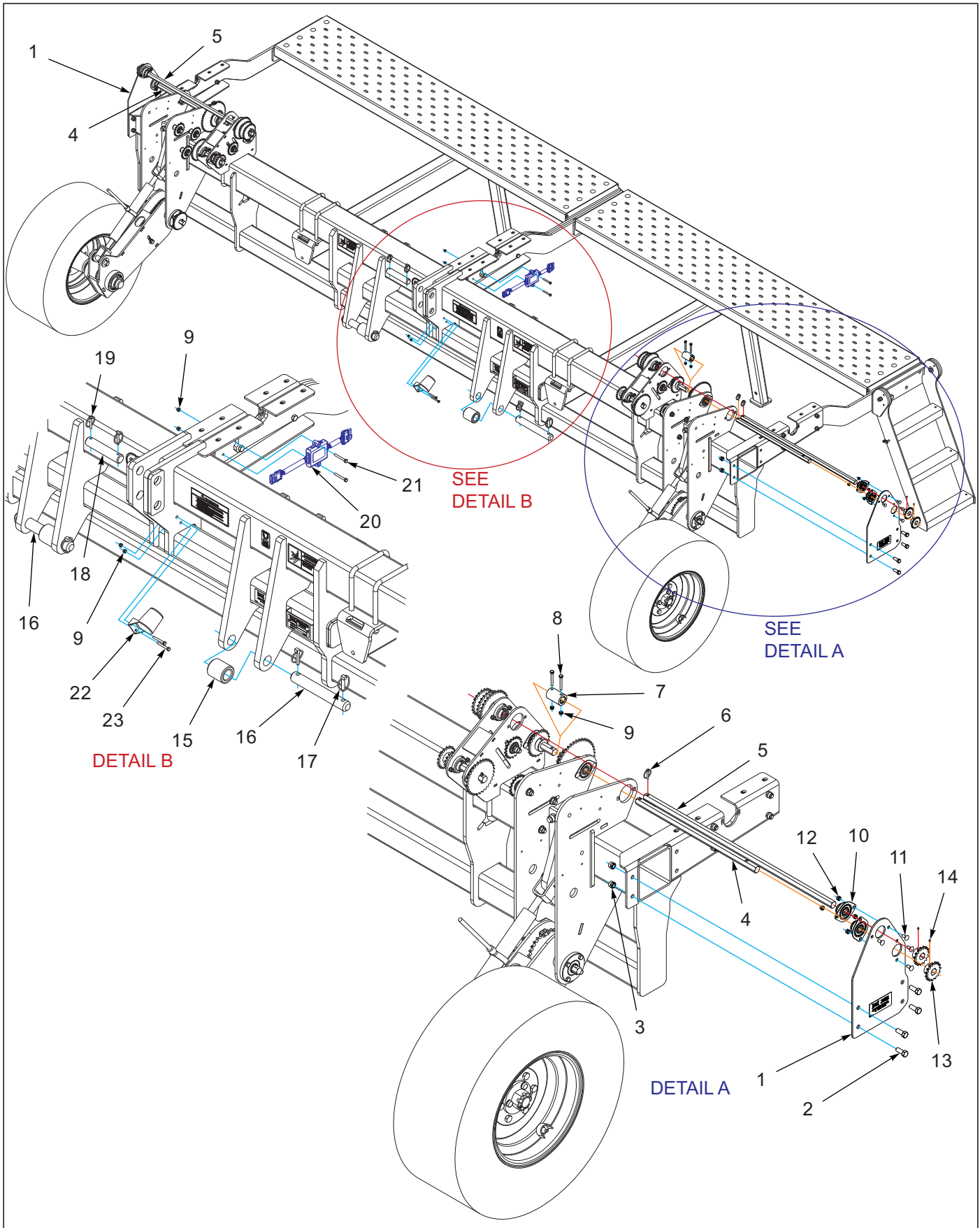
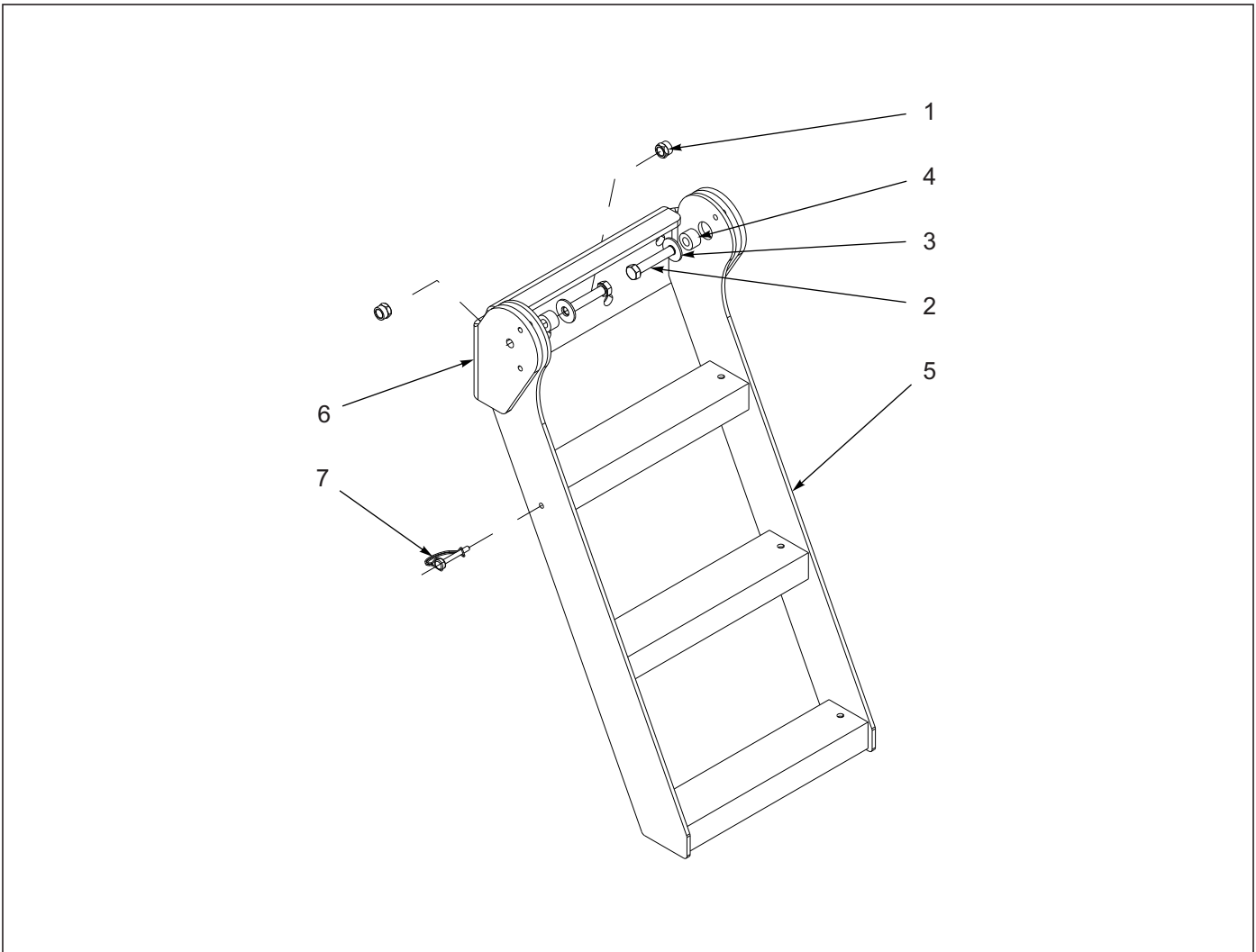


Figure 1-5: Wheel Drive, Electrical, 3 Point Pin Assembly



## Wheel Drive, Electrical, 3 Point Pin Assembly

| ITEM | PART NO.        | DESCRIPTION                   | QTY. |
|------|-----------------|-------------------------------|------|
| 1    | 221198          | MOUNT, BEARING FERT/NG        | 2    |
| 2    | 1-654-010055-02 | SCREW 1/2-13UNCX1-1/4 CP GR5  | 8    |
| 3    | 1-512-010005-09 | NUT,HEX,SLFLKG, 1/2-13 GRB    | 8    |
| 4    | 144182          | SHAFT,7/8 HEX, 21-5/8 L       | 2    |
| 5    | 153857          | SHAFT, 7/8 HEX, 34L           | 2    |
| 6    | 1-557-010327    | PIN LYNCH 1/4X1-1/4           | 2    |
| 7    | 122853          | COUPLER, DRIVE SHAFT          | 2    |
| 8    | 1-654-010047-10 | SCREW,HX CP,1/4-20UNC X2 GR5  | 4    |
| 9    | 1-512-010005-01 | NUT,HEX,SLFLKG GRB 1/4-20     | 8    |
| 10   | 144060          | BEARING .875 HEX BORE, 2-BOLT | 4    |
| 11   | 105909          | SCREW,RDHD,SQNCK,5/16-18X3/4  | 8    |
| 12   | 1-512-010005-03 | NUT HEX SLFLKG GRB 5/16-18    | 8    |
| 13   | 151588          | SPROCKET, #40 X 15, 7/8 HEX   | 4    |
| 14   | 107-0975        | SCREW SET LOCK 5/16-18X3/8LG  | 4    |
| 15   | 164311          | SPACER HITCH LOWER            | 2    |
| 16   | 164310          | PIN HITCH LOWER               | 2    |
| 17   | 2-557-010417    | PIN, LYNCH CAT III            | 4    |
| 18   | 141244          | PIN, FOLD                     | 1    |
| 19   | 70239854        | PIN QUICK HITCH               | 2    |
| 20   | 174437          | MODULE, AG FLASHER CONTROL    | 1    |
| 21   | 1-654-010047-10 | SCREW,HX CP,1/4-20UNC X2 GR5  | 2    |
| 22   | 2-368-010287    | HARNESS, STOR-A-WAY           | 1    |
| 23   | 1-654-010047-07 | SCREW,HX CP 1/4-20UNCX1-1/4G5 | 2    |



**Figure 1-6: Ladder Assembly**

**Ladder Assembly**

| ITEM | PART NO.        | DESCRIPTION                        | QTY. |
|------|-----------------|------------------------------------|------|
|      | 154849          | LADDER ASSEMBLY                    |      |
| 1    | 1-512-010005-09 | NUT, HEX LOCK 1/2-13 GRB           | 2    |
| 2    | 1-654-010055-05 | SCREW, HEX HEAD CAP 1/2-13 X 2 GR5 | 2    |
| 3    | 1-861-010032-15 | WASHER, FLAT 1/2W                  | 2    |
| 4    | 125799          | SPACER                             | 2    |
| 5    | 154845          | LADDER                             | 1    |
| 6    | 154846          | MOUNT, LADDER                      | 1    |
| 7    | 70592442        | PIN, SNAPPER                       | 1    |



# Drive Assemblies

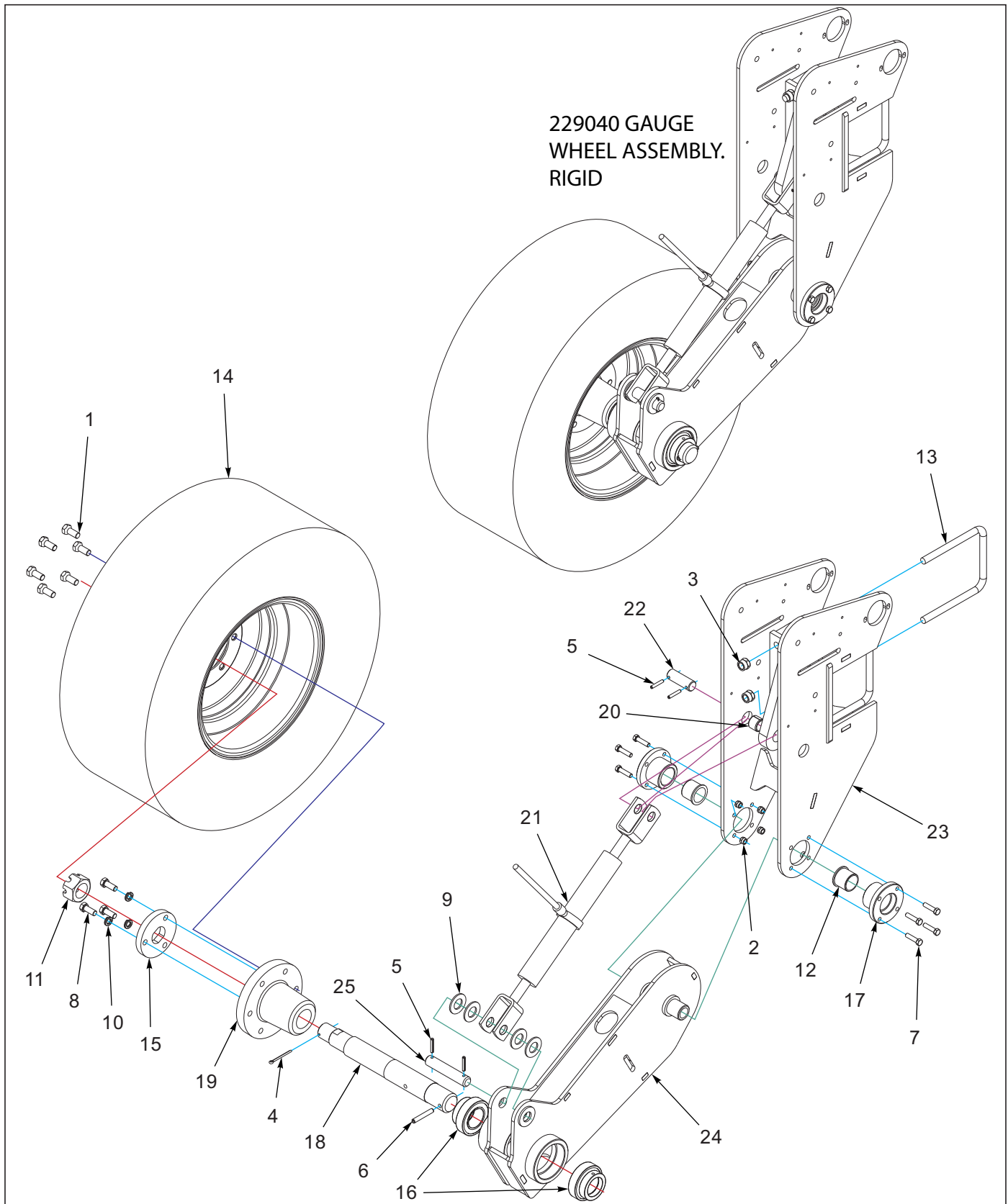


Figure 1-7: Gauge Wheel Assembly, 3-Point (5110-12-1/2')

## Gauge Wheel Assembly, 3-Point (5110-12-1/2')

| ITEM | PART NO.        | DESCRIPTION                   | QTY. |
|------|-----------------|-------------------------------|------|
| --   | 229040          | GAUGE WHEEL ASSY, RIGID       |      |
| 1    | 1-104-010001    | WHEEL BOLT                    | 6    |
| 2    | 1-512-010005-05 | NUT, HEX, SLFLKG GRB 3/8-16   | 8    |
| 3    | 1-512-010005-13 | NUT,HEX SLFLKG GRB 5/8-11     | 4    |
| 4    | 1-557-010362-54 | PIN, COTTER 3/16X2-1/4        | 1    |
| 5    | 1-647-010004217 | SPRING PIN, SLOTTED 1/4X1-1/2 | 4    |
| 6    | 1-647-010004257 | PIN,SPRING,SLOTTED 3/8X2-1/2  | 1    |
| 7    | 1-654-010051-07 | SCREW,HEX CAP,3/8-16UNCX1-1/2 | 8    |
| 8    | 1-654-010055-02 | SCREW 1/2-13UNCX1-1/4 CP GR5  | 3    |
| 9    | 1-861-010032-24 | WASHER FL 1IN NARROW ZP       | 4    |
| 10   | 1-861-010034-13 | WASHER, LKG HLCL SPR, 1/2     | 3    |
| 11   | 119118          | NUT 1-1/2-12UNF HEX SLOTTEDZP | 1    |
| 12   | 140599          | BEARING, FLANGE 1-1/2         | 2    |
| 13   | 141269          | U-BOLT, WING STABILIZER       | 2    |
| 14   | 142650          | TIRE/WHEEL ASSY 280/70R15     | 1    |
| 15   | 144251          | PLATE, HUB LOCK               | 1    |
| 16   | 144252          | BALL BEARING,1.937ID W/COLLAR | 2    |
| 17   | 158152          | HUB, BEARING                  | 2    |
| 18   | 164194          | SPINDLE, DRIVE WHEEL          | 1    |
| 19   | 168841          | HUB, 6 BOLT                   | 1    |
| 20   | 2-150-010008    | BUSHING 1-1/4ODX1IDX1 STEEL   | 1    |
| 21   | 2-423-010040    | JACK,RATCHET 8IN STROKE       | 1    |
| 22   | 2-557-010125    | PIN RADIUS ROD                | 1    |
| 23   | 216465          | MOUNT, DRIVE WHEEL WLDMT      | 1    |
| 24   | 221146          | AXLE, DRIVE WHEEL RIGHT WLDMT | 1    |
| 25   | 6-557-010163    | PIN HITCH LEVELING LINK       | 1    |

ILLUSTRATED PARTS LIST

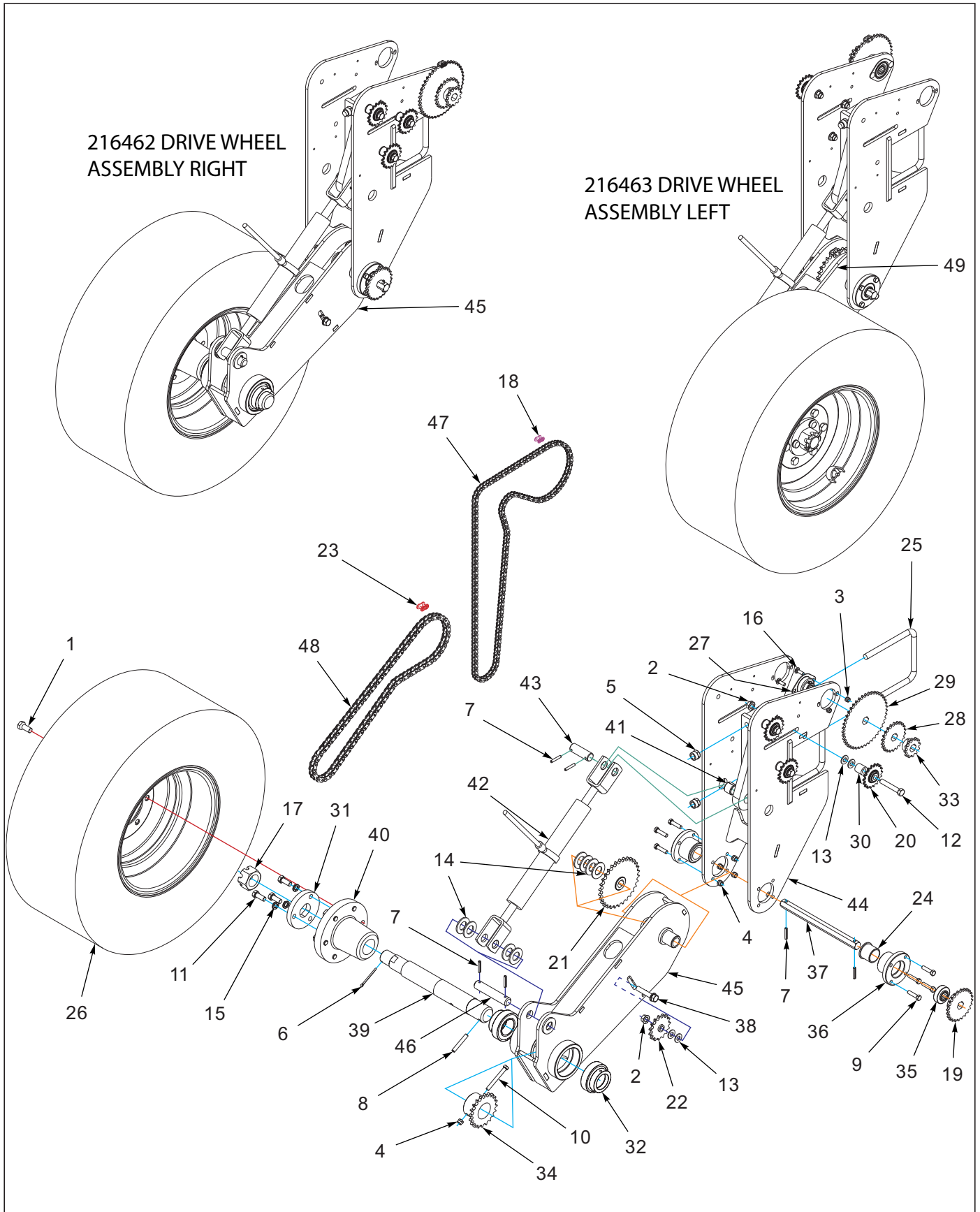


Figure 1-8: Drive Wheel Assembly

## Drive Wheel Assembly

| ITEM | PART NO.        | DESCRIPTION                                      | QTY. |
|------|-----------------|--|------|
| --   | 216462          | DRIVE WHEEL ASSY, RIGID RT                       |      |
| --   | 216463          | DRIVE WHEEL ASSY, RIGID LT                       |      |
| 1    | 1-104-010001    | WHEEL BOLT                                       | 6    |
| 2    | 1-510-010003-09 | NUT,1/2-13 FLANGE HD,SERRATED                    | 4    |
| 3    | 1-512-010005-03 | NUT HEX SLFLKG GRB 5/16-18                       | 2    |
| 4    | 1-512-010005-05 | NUT, HEX, SLFLKG GRB 3/8-16                      | 9    |
| 5    | 1-512-010005-13 | NUT,HEX SLFLKG GRB 5/8-11                        | 4    |
| 6    | 1-557-010362-54 | PIN, COTTER 3/16X2-1/4                           | 1    |
| 7    | 1-647-010004217 | SPRING PIN, SLOTTED 1/4X1-1/2                    | 6    |
| 8    | 1-647-010004257 | PIN,SPRING,SLOTTED 3/8X2-1/2                     | 1    |
| 9    | 1-654-010051-07 | SCREW,HEX CAP,3/8-16UNCX1-1/2                    | 8    |
| 10   | 1-654-010051-14 | SCREW HX CP 3/8-16UNCX3-1/4G5                    | 1    |
| 11   | 1-654-010055-02 | SCREW 1/2-13UNCX1-1/4 CP GR5                     | 3    |
| 12   | 1-654-010055-09 | SCREW,HX CP,1/2-13UNCX3 GR5                      | 3    |
| 13   | 1-861-010032-14 | WASHER, FLAT 1/2" N ZP/CD                        | 8    |
| 14   | 1-861-010032-24 | WASHER FL 1IN NARROW ZP                          | 8    |
| 15   | 1-861-010034-13 | WASHER, LKG HLCL SPR, 1/2                        | 3    |
| 16   | 104031          | SCREW,RDHD,SQNK 5/16-18X1 GR5                    | 2    |
| 17   | 119118          | NUT 1-1/2-12UNF HEX SLOTTEDZP                    | 1    |
| 18   | 119716          | CONNECTING LINK #40 CHAIN                        | 2    |
| 19   | 122825          | SPROCKET,TRANS 24T MONOSEM                       | 1    |
| 20   | 122871          | SPROCKET,TRANSMISSION IDLER                      | 3    |
| 21   | 125720          | SPROCKET,TRANS MONOS, 30TEETH                    | 1    |
| 22   | 125796          | SPROCKET W/BEARING 15 TEETH                      | 1    |
| 23   | 129683          | LINK, CLIP CONN #50 CHAIN                        | 2    |
| 24   | 140599          | BEARING, FLANGE 1-1/2                            | 2    |
| 25   | 141269          | U-BOLT, WING STABILIZER                          | 2    |
| 26   | 142650          | TIRE/WHEEL ASSY 280/70R15                        | 1    |
| 27   | 144060          | BEARING .875 HEX BORE, 2-BOLT                    | 1    |
| 28   | 144082          | SPROCKET, TRANS 40X22T                           | 1    |
| 29   | 144083          | SPROCKET, TRANS 40X43T                           | 1    |
| 30   | 144183          | SPACER 1X9/16X1                                  | 3    |
| 31   | 144251          | PLATE, HUB LOCK                                  | 1    |
| 32   | 144252          | BALL BEARING,1.937ID W/COLLAR                    | 2    |
| 33   | 151587          | SPROCKET, #40 X 12, 7/8 HEX                      | 1    |
| 34   | 153817          | SPROCKET, #50X20 2 BORE                          | 1    |
| 35   | 158151          | BEARING, 2.047 X 7/8 HX BORE                     | 2    |
| 36   | 158152          | HUB, BEARING                                     | 2    |
| 37   | 158168          | SHAFT, 7/8 HEX X 12                              | 1    |
| 38   | 158278          | SCREW,FLG HD SER 1/2-13X2-1/2                    | 1    |
| 39   | 164194          | SPINDLE, DRIVE WHEEL                             | 1    |
| 40   | 168841          | HUB, 6 BOLT                                      | 1    |
| 41   | 2-150-010008    | BUSHING 1-1/4ODX1IDX1 STEEL                      | 1    |
| 42   | 2-423-010040    | JACK,RATCHET 8IN STROKE                          | 1    |
| 43   | 2-557-010125    | PIN RADIUS ROD ASSY                              | 1    |
| 44   | 216465          | MOUNT, DRIVE WHEEL WLDMT                         | 1    |
| 45   | 221146          | AXLE, DRIVE WHEEL RIGHT WLDMT (USED WITH 216462) | 1    |
| 46   | 6-557-010163    | PIN HITCH LEVELING LINK                          | 1    |
| 47   | 224579          | ROLLER CHAIN, #40 X 164P 82L                     | 2    |

## Drive Wheel Assembly

---

| ITEM | PART NO. | DESCRIPTION                                     | QTY. |
|------|----------|---|------|
| 48   | 224580   | ROLLER CHAIN, #50X86P 53-3/4L                   | 2    |
| 49   | 221147   | AXLE, DRIVE WHEEL LEFT WLDMT (USED WITH 216463) | 1    |





ILLUSTRATED PARTS LIST

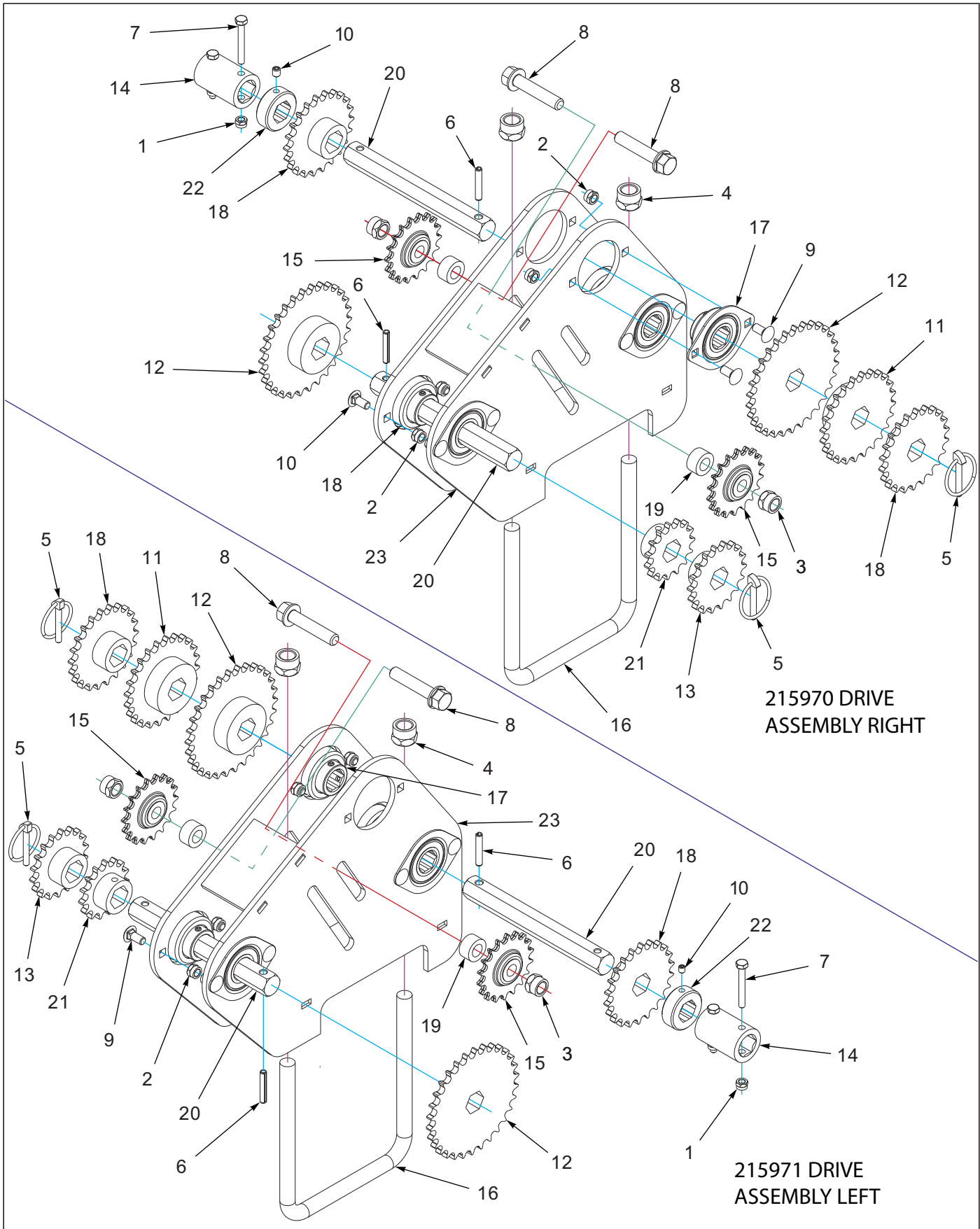


Figure 1-9: NG Drive Assembly

## NG Drive Assembly

| ITEM | PART NO.        | DESCRIPTION                   | QTY. |
|------|-----------------|-------------------------------|------|
| --   | 215970          | DRIVE ASSY, NG RIGHT          |      |
| --   | 215971          | DRIVE ASSY, NG LEFT           |      |
| 1    | 1-512-010005-01 | NUT,HEX,SLFLKG GRB 1/4-20     | 2    |
| 2    | 1-512-010005-03 | NUT HEX SLFLKG GRB 5/16-18    | 10   |
| 3    | 1-512-010005-09 | NUT,HEX,SLFLKG, 1/2-13 GRB    | 2    |
| 4    | 1-512-010005-13 | NUT,HEX SLFLKG GRB 5/8-11     | 2    |
| 5    | 1-557-010327    | PIN LYNCH 1/4X1-1/4           | 2    |
| 6    | 1-647-010004217 | SPRING PIN, SLOTTED 1/4X1-1/2 | 2    |
| 7    | 1-654-010047-10 | SCREW,HX CP,1/4-20UNC X2 GR5  | 2    |
| 8    | 158278          | SCREW,FLG HD SER 1/2-13X2-1/2 | 2    |
| 9    | 105909          | SCREW,RDHD,SQNCK,5/16-18X3/4  | 10   |
| 10   | 107-0975        | SCREW SET LOCK 5/16-18X3/8LG  | 1    |
| 11   | 122825          | SPROCKET,TRANS 24T MONOSEM    | 1    |
| 12   | 122836          | SPROCKET,TRANS 30T MONOSEM    | 2    |
| 13   | 122837          | SPROCKET,TRANS 18T MONOSEM    | 1    |
| 14   | 122853          | COUPLER, DRIVE SHAFT          | 1    |
| 15   | 122871          | SPROCKET,TRANSMISSION IDLER   | 2    |
| 16   | 141269          | U-BOLT, WING STABILIZER       | 1    |
| 17   | 144060          | BEARING .875 HEX BORE, 2-BOLT | 5    |
| 18   | 144082          | SPROCKET, TRANS 40X22T        | 2    |
| 19   | 144086          | SPACER 1 X 9/16 X 17/32       | 2    |
| 20   | 144087          | SHAFT, 7/8 HEX X 7-3/4        | 2    |
| 21   | 151588          | SPROCKET, #40 X 15, 7/8 HEX   | 1    |
| 22   | 158305          | SET COLLAR, 7/8 HEX           | 1    |
| 23   | 215969          | MOUNT, FERTILIZER DRIVE WLDMT | 1    |

# Box Assemblies

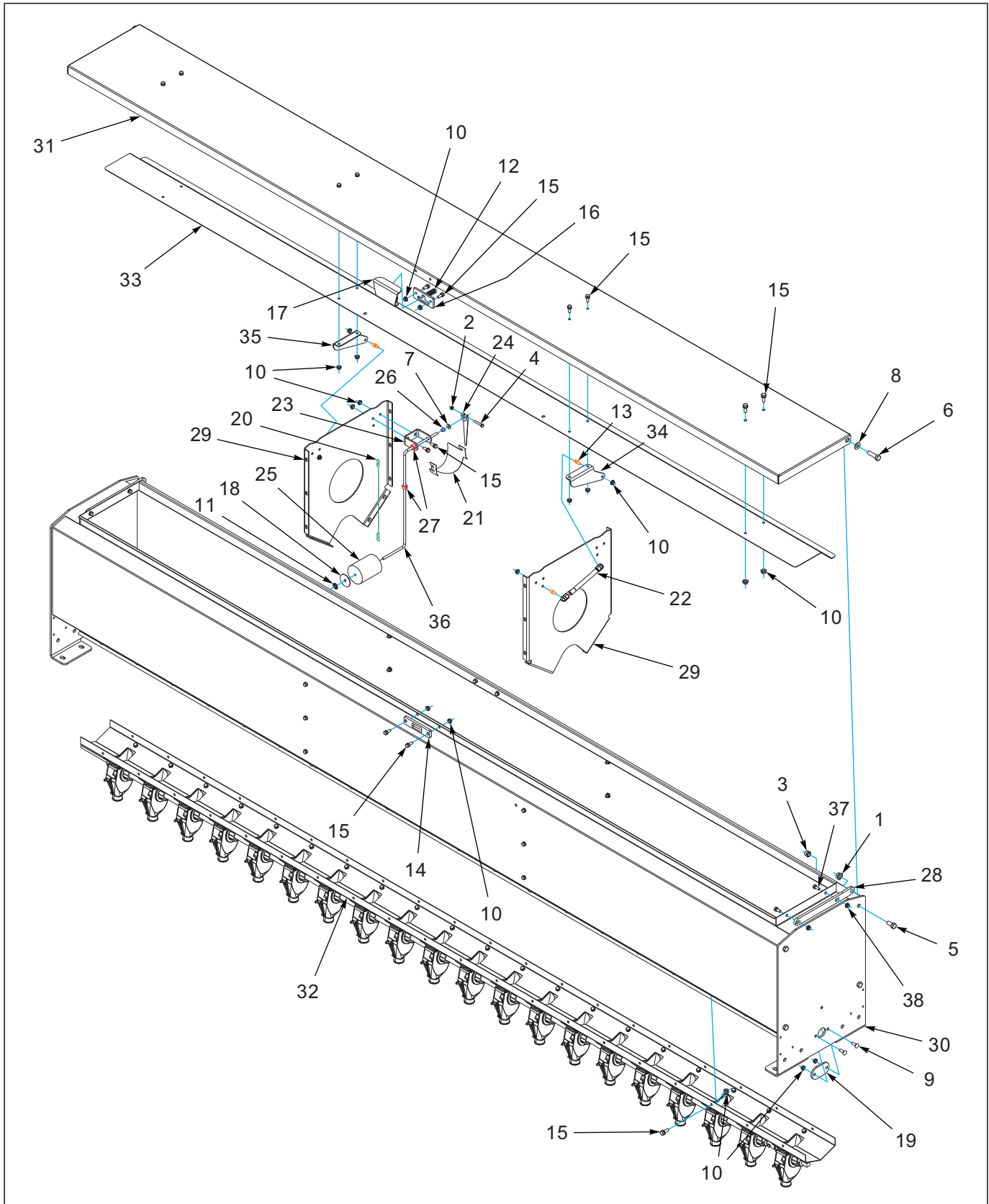


Figure 1-10: Seed Box Assembly 12-1/2' x 7.5" 2 BU 5110NG-12.5'

## Seed Box Assembly 12-1/2' x 7.5" 2 BU 5110NG-12.5'

| ITEM | PART NO.        | DESCRIPTION                              | QTY. |
|------|-----------------|--|------|
| --   | 222392          | BOX ASSY, 12-1/2' X 7.5" 2.0             |      |
| 1    | 1-510-010003-09 | NUT,1/2-13 FLANGE HD,SERRATED            | 2    |
| 2    | 1-512-010005-01 | NUT,HEX,SLFLKG GRB 1/4-20                | 1    |
| 3    | 1-512-010005-09 | NUT,HEX,SLFLKG, 1/2-13 GRB               | 8    |
| 4    | 1-654-010047-08 | SCREW HX CP,1/4-20UNCX1-1/2G5            | 1    |
| 5    | 1-654-010055-01 | SCR,HX CP 1/2-13UNCX1 GR5                | 2    |
| 6    | 1-654-010055-04 | SCREW,HEX CAP,1/2-13UNCX1-3/4            | 2    |
| 7    | 1-861-010032-07 | WASHER,FLAT 1/4 ZP                       | 1    |
| 8    | 1-861-010032-14 | WASHER, FLAT 1/2" N ZP/CD                | 2    |
| 9    | 104031          | SCREW,RDHD,SQNK 5/16-18X1 GR5            | 4    |
| 10   | 126561          | NUT,FLG HD,SERRATED,5/16-18ZP            | 88   |
| 11   | 130411          | PUSH-NUT,5/16 STYLE 2                    | 1    |
| 12   | 139692          | SPRING .56IDX1.41FLX24# COMP             | 1    |
| 13   | 1401756         | BALL STUD                                | 4    |
| 14   | 144141          | STOP, LATCH                              | 1    |
| 15   | 144268          | SCREW 5/16-18UNCX3/4FLG HD ZP            | 80   |
| 16   | 161474          | MOUNT, LATCH                             | 1    |
| 17   | 161475          | HANDLE, LATCH                            | 1    |
| 18   | 162551          | WASHER, FENDER 3/8X2                     | 1    |
| 19   | 172703          | PLATE, COVER                             | 2    |
| 20   | 203014          | LANYARD, SEED LEVEL                      | 1    |
| 21   | 205147          | DECAL, SEED LEVEL                        | 1    |
| 22   | 205240          | GAS SPRING, 12.4" X 45#                  | 2    |
| 23   | 207494          | BRACKET, SEED LEVEL ROD                  | 1    |
| 24   | 207496          | INDICATOR, SEED LEVEL                    | 1    |
| 25   | 207497          | FLOAT, SEED LEVEL                        | 1    |
| 26   | 207498          | BEARING, FLANGE 3/8                      | 1    |
| 27   | 207499          | COLLAR, SHAFT SET 3/8 RD                 | 2    |
| 28   | 214776          | BRACKET, SEED BOX LID                    | 2    |
| 29   | 214784          | PANEL, SEED BOX 2.0 BU                   | 2    |
| 30   | 216757          | SEED BOX, 2 BU 12-1/2' WLDMT             | 1    |
| 31   | 216759          | LID, SEED BOX 12-1/2' WLDMT              | 1    |
| 32   | 216762          | METER ASSY, 12-1/2'X7.5" (SEE PAGE 1-23) | 1    |
| 33   | 216763          | SHIELD, SPLASH GUARD 12-1/2'             | 1    |
| 34   | 216798          | BRACKET, SPRING MOUNT RIGHT              | 1    |
| 35   | 216799          | BRACKET, SPRING MOUNT LEFT               | 1    |
| 36   | 218356          | ROD, SEED LEVEL 2.0 BU                   | 1    |
| 37   | 1-655-010003-05 | SCREW,FLANGE HD 3/8-16X1 GR8             | 4    |
| 38   | 1-510-010001    | NUT, 3/8-16 UNC FLANGE LOCK              | 4    |

ILLUSTRATED PARTS LIST

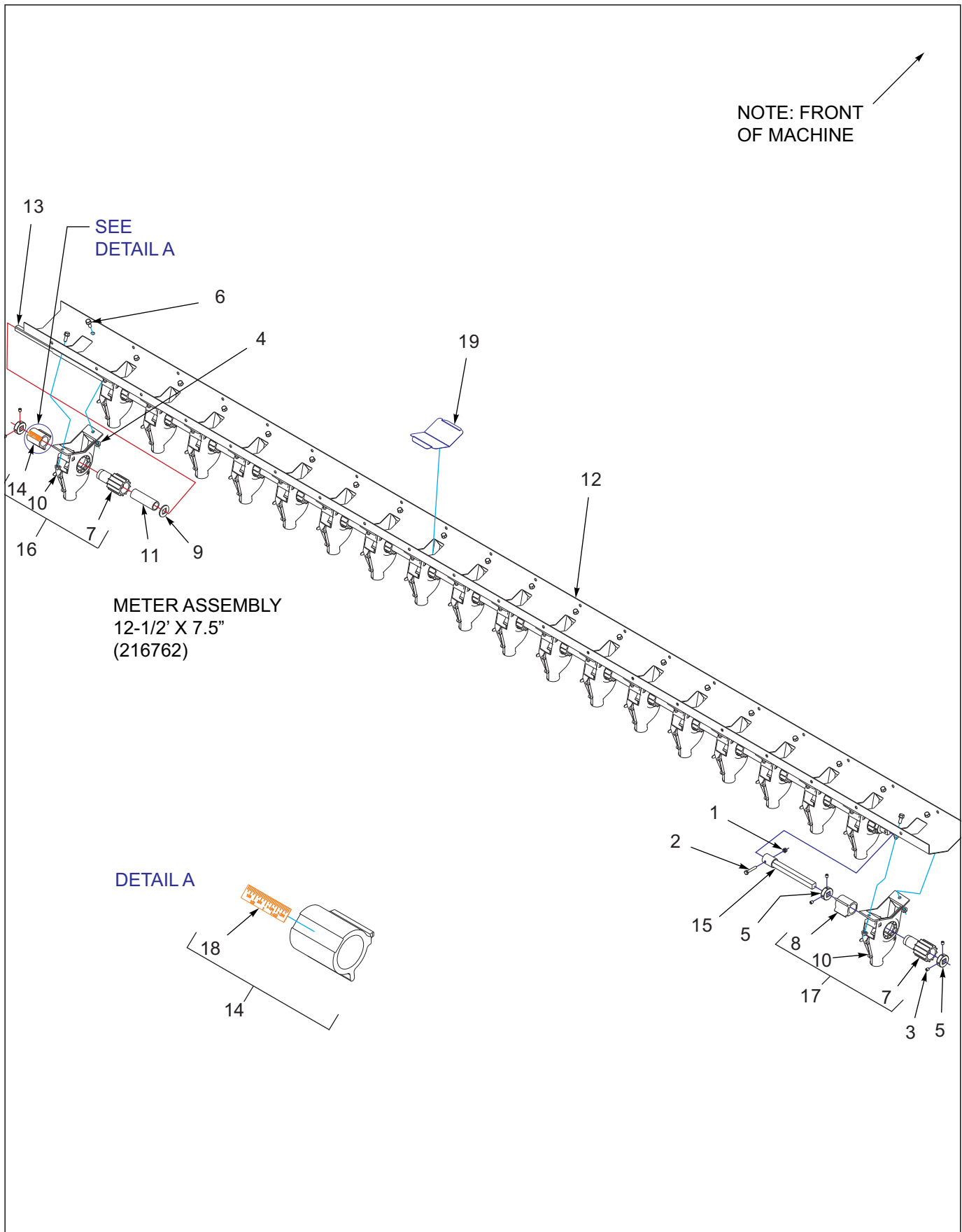


Figure 1-11: Meter Assembly 12-1/2' x 7.5"

## Meter Assembly 12-1/2' x 7.5"

| ITEM | PART NO.        | DESCRIPTION  | QTY. |
|------|-----------------|--|------|
| --   | 216762          | METER ASSY, 12-1/2'X7.5"                                   |      |
| 1    | 1-512-010005-01 | NUT,HEX,SLFLKG GRB 1/4-20                                  | 1    |
| 2    | 1-654-010047-08 | SCREW HX CP,1/4-20UNCX1-1/2G5                              | 1    |
| 3    | 107-0975        | SCREW SET LOCK 5/16-18X3/8LG                               | 8    |
| 4    | 126561          | NUT,FLG HD,SERRATED,5/16-18ZP                              | 40   |
| 5    | 144144          | COLLAR, SHAFT SET, 5/8 SQ                                  | 4    |
| 6    | 144268          | SCREW 5/16-18UNCX3/4FLG HD ZP                              | 40   |
| 7    | 168868          | METER FEED ROLL  | 20   |
| 8    | 168869          | METER, FEED CUT-OFF  | 19   |
| 9    | 172700          | WASHER, 1.50 OD X .640 SQ                                  | 19   |
| 10   | 172706          | METER ASSY, SEED HOUSING <b>(SEE PAGE 1-28)</b>            | 20   |
| 11   | 214786          | SPACER, METER 3-5/8 L                                      | 18   |
| 12   | 216761          | BOTTOM, SEED METER 12-1/2X7.5                              | 1    |
| 13   | 218481          | SHAFT, 5/8 SQ X 144 W/THDS                                 | 1    |
| 14   | 221179          | METER, FEED CUT-OFF W/PLACARD                              | 1    |
| 15   | 222387          | EXTENSION, SQ SHAFT WLDMT                                  | 1    |
| 16   | 221180          | METER ASSY, SEED W/GAUGE <b>(INCLUDES ITEMS 7, 10, 14)</b> | 1    |
| 17   | 168870          | METER ASSY, SEED COMPLETE <b>(INCLUDES ITEMS 7, 8, 10)</b> | 19   |
| 18   | 172715          | PLACARD, METER OPENING                                     | 1    |
| 19   | 174398          | PLUG, SEED   | AR   |

ILLUSTRATED PARTS LIST

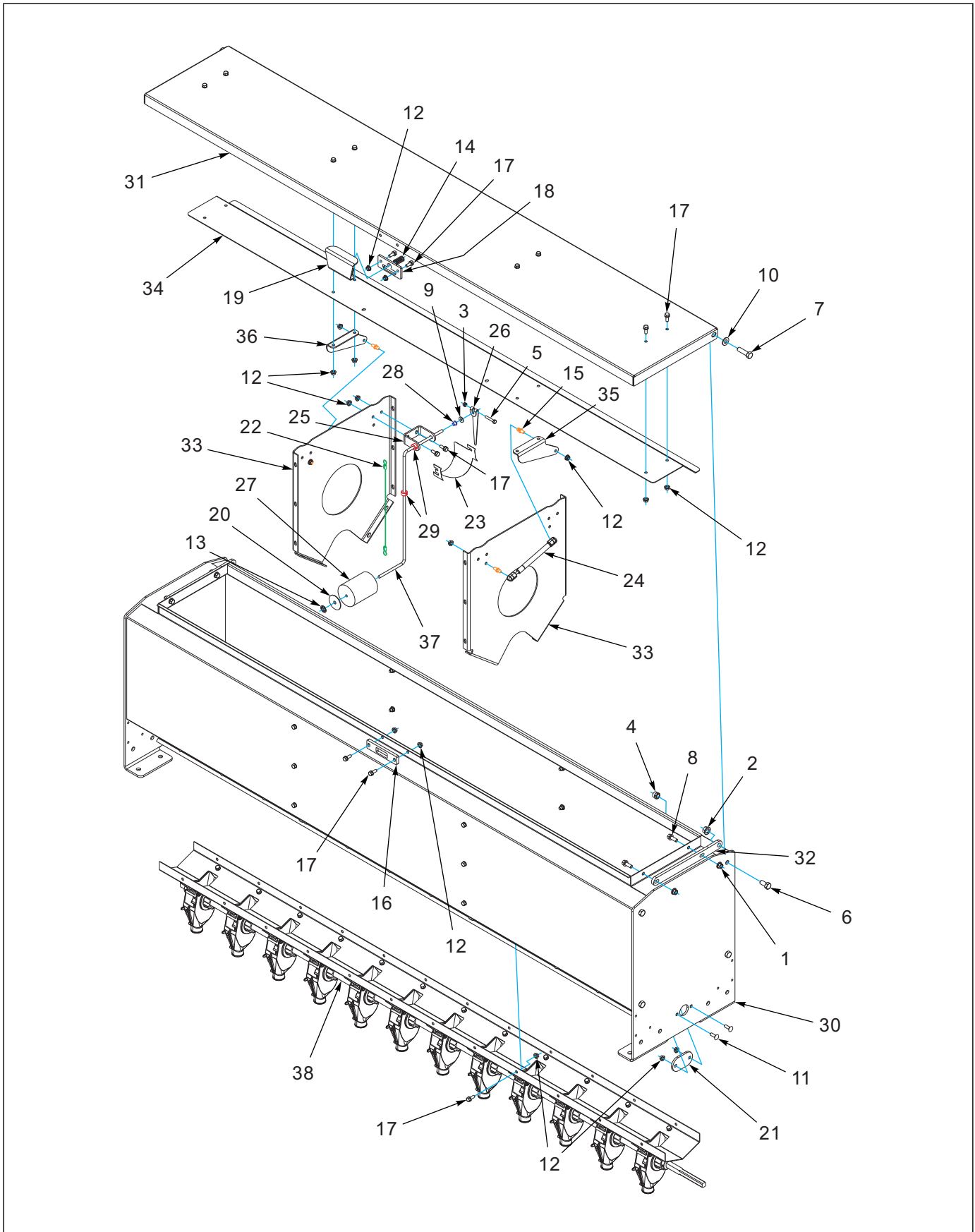


Figure 1-12: Seed Box Assembly 7-1/2' x 7.5" 2 BU 5110NG-15'



## Seed Box Assembly 7-1/2' x 7.5" 2 BU 5110NG-15'

| ITEM | PART NO.        | DESCRIPTION  | QTY. |    |
|------|-----------------|--|------|----|
| --   | 221174          | BOX ASSY, 7-1/2'X7.5" 2.0 RT (SHOWN)                 | *    |    |
| --   | 221175          | BOX ASSY, 7-1/2'X7.5" 2.0 LT                         | *    |    |
| 1    | 1-510-010001    | NUT, 3/8-16 UNC FLANGE LOCK                          | 4    | 4  |
| 2    | 1-510-010003-09 | NUT,1/2-13 FLANGE HD,SERRATED                        | 2    | 2  |
| 3    | 1-512-010005-01 | NUT,HEX,SLFLKG GRB 1/4-20                            | 1    | 1  |
| 4    | 1-512-010005-09 | NUT,HEX,SLFLKG, 1/2-13 GRB                           | 8    | 8  |
| 5    | 1-654-010047-08 | SCREW HX CP,1/4-20UNCX1-1/2G5                        | 1    | 1  |
| 6    | 1-654-010055-01 | SCR,HX CP 1/2-13UNCX1 GR5                            | 8    | 8  |
| 7    | 1-654-010055-04 | SCREW,HEX CAP,1/2-13UNCX1-3/4                        | 2    | 2  |
| 8    | 1-655-010003-05 | SCREW,FLANGE HD 3/8-16X1 GR8                         | 4    | 4  |
| 9    | 1-861-010032-07 | WASHER,FLAT 1/4 ZP                                   | 1    | 1  |
| 10   | 1-861-010032-14 | WASHER, FLAT 1/2" N ZP/CD                            | 2    | 2  |
| 11   | 104031          | SCREW,RDHD,SQNK 5/16-18X1 GR5                        | 4    | 4  |
| 12   | 126561          | NUT,FLG HD,SERRATED,5/16-18ZP                        | 66   | 66 |
| 13   | 130411          | PUSH-NUT,5/16 STYLE 2                                | 1    | 1  |
| 14   | 139692          | SPRING .56IDX1.41FLX24# COMP                         | 1    | 1  |
| 15   | 1401756         | BALL STUD  | 4    | 4  |
| 16   | 144141          | STOP, LATCH  | 1    | 1  |
| 17   | 144268          | SCREW 5/16-18UNCX3/4FLG HD ZP                        | 58   | 58 |
| 18   | 161474          | MOUNT, LATCH   | 1    | 1  |
| 19   | 161475          | HANDLE, LATCH  | 1    | 1  |
| 20   | 162551          | WASHER, FENDER 3/8X2                                 | 1    | 1  |
| 21   | 172703          | PLATE, COVER   | 2    | 2  |
| 22   | 203014          | LANYARD, SEED LEVEL                                  | 1    | 1  |
| 23   | 205147          | DECAL, SEED LEVEL                                    | 1    | 1  |
| 24   | 205240          | GAS SPRING, 12.4" X 45#                              | 2    | 2  |
| 25   | 207494          | BRACKET, SEED LEVEL ROD                              | 1    | 1  |
| 26   | 207496          | INDICATOR, SEED LEVEL                                | 1    | 1  |
| 27   | 207497          | FLOAT, SEED LEVEL                                    | 1    | 1  |
| 28   | 207498          | BEARING, FLANGE 3/8                                  | 1    | 1  |
| 29   | 207499          | COLLAR, SHAFT SET 3/8 RD                             | 2    | 2  |
| 30   | 213963          | SEED BOX, 2.0 BU 7-1/2' WLDMT                        | 1    | 1  |
| 31   | 213973          | LID, SEED BOX 7-1/2' WLDMT                           | 1    | 1  |
| 32   | 214776          | BRACKET, SEED BOX LID                                | 2    | 2  |
| 33   | 214784          | PANEL, SEED BOX 2.0 BU                               | 2    | 2  |
| 34   | 214791          | SHIELD, SPLASH GUARD 7-1/2'                          | 1    | 1  |
| 35   | 216798          | BRACKET, SPRING MOUNT RIGHT                          | 1    | 1  |
| 36   | 216799          | BRACKET, SPRING MOUNT LEFT                           | 1    | 1  |
| 37   | 218356          | ROD, SEED LEVEL 2.0 BU                               | 1    | 1  |
| 38   | 218478          | METER ASSY, 7-1/2' X 7.5" RT (SEE PAGE 1-27) (SHOWN) | 1    | -- |
| 38   | 218479          | METER ASSY, 7-1/2' X 7.5" LT (SEE PAGE 1-27)         | --   | 1  |

ILLUSTRATED PARTS LIST

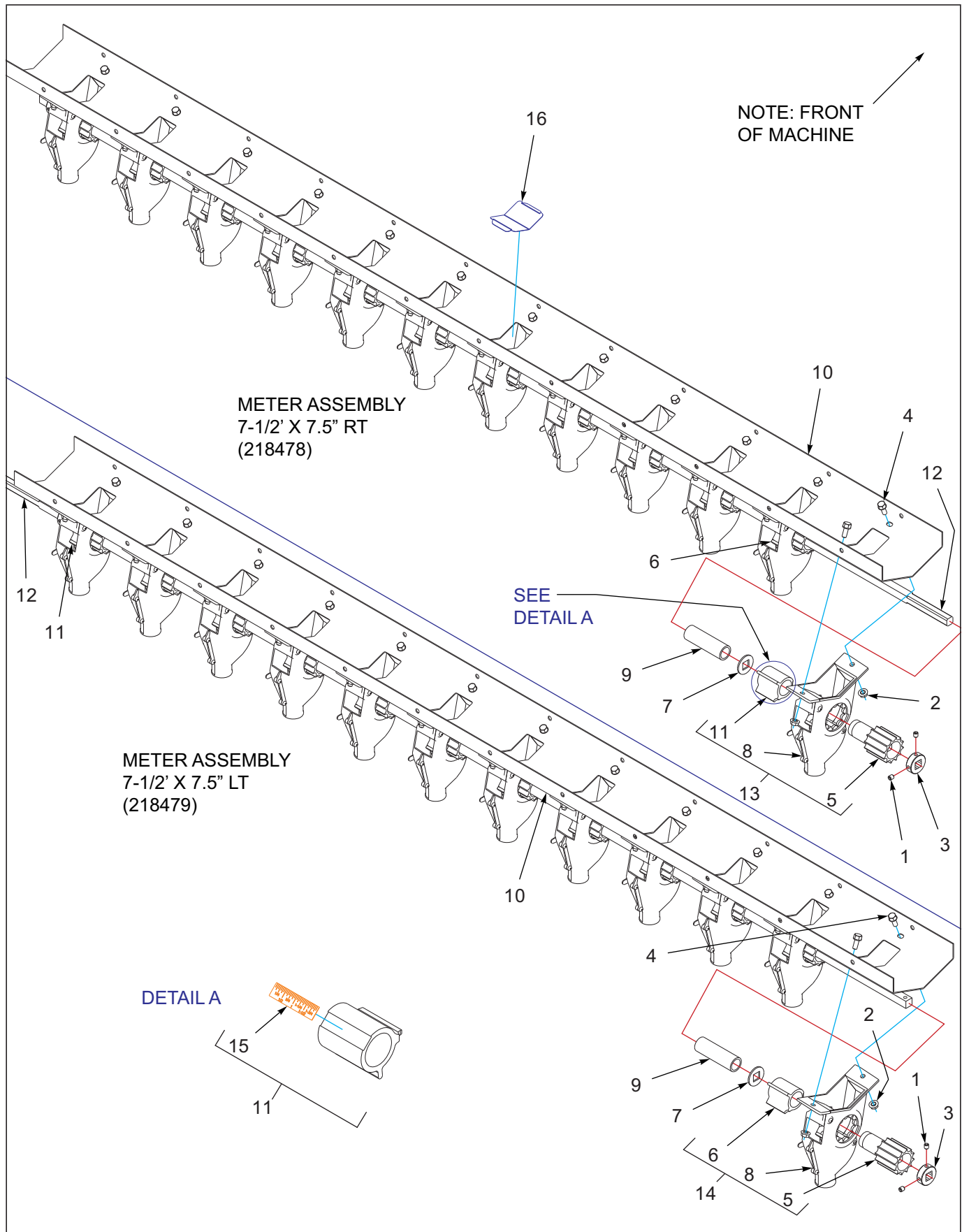


Figure 1-13: Meter Assembly 7-1/2' x 7.5"

## Meter Assembly 7-1/2' x 7.5"

| ITEM | PART NO. | DESCRIPTION  | QTY. |    |
|------|----------|--|------|----|
| --   | 218478   | METER ASSY, 7-1/2' X 7.5" RT                                   | *    |    |
| --   | 218479   | METER ASSY, 7-1/2' X 7.5" LT                                   | *    |    |
| 1    | 107-0975 | SCREW SET LOCK 5/16-18X3/8LG                                   | 4    | 4  |
| 2    | 126561   | NUT,FLG HD,SERRATED,5/16-18ZP                                  | 24   | 24 |
| 3    | 144144   | COLLAR, SHAFT SET, 5/8 SQ                                      | 2    | 2  |
| 4    | 144268   | SCREW 5/16-18UNCX3/4FLG HD ZP                                  | 24   | 24 |
| 5    | 168868   | METER FEED ROLL  | 12   | 12 |
| 6    | 168869   | METER, FEED CUT-OFF  | 11   | 11 |
| 7    | 172700   | WASHER, 1.50 OD X .640 SQ                                      | 11   | 11 |
| 8    | 172706   | METER ASSY, SEED HOUSING (SEE PAGE 1-28)                       | 12   | 12 |
| 9    | 214786   | SPACER, METER 3-5/8 L  | 11   | 11 |
| 10   | 214793   | BOTTOM, SEED METER 7-1/2'X7.5"                                 | 1    | 1  |
| 11   | 221179   | METER, FEED CUT-OFF W/PLACARD                                  | 1    | 1  |
| 12   | 221181   | SHAFT, 5/8 SQ X 92-1/4 W/THDS                                  | 1    | 1  |
| 13   | 221180   | METER ASSY, SEED W/GAUGE (INCLUDES ITEMS 5, 8, 11)             | 1    | -- |
| 14   | 168870   | METER ASSY, SEED COMPLETE (W/O GAUGE) (INCLUDES ITEMS 5, 6, 8) | --   | 1  |
| 15   | 172715   | PLACARD, METER OPENING   | 1    | 1  |
| 16   | 174398   | PLUG, SEED   | AR   | AR |

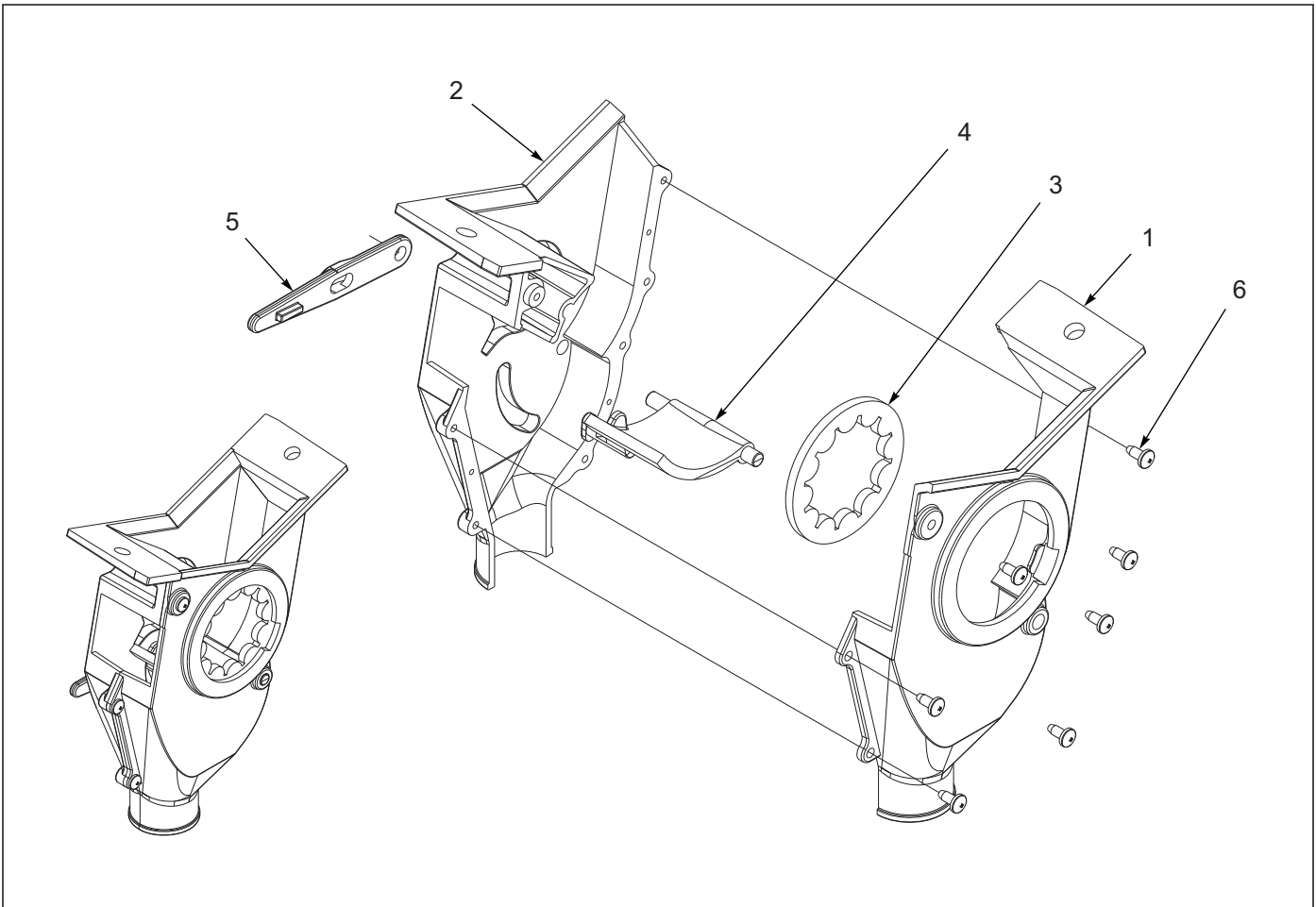


Figure 1-14: Seed Meter Housing Assembly

### Seed Meter Housing Assembly

| ITEM | PART NO. | DESCRIPTION                       | QTY. |
|------|----------|-----------------------------------|------|
| --   | 172706   | METER, ASSEMBLY, SEED HOUSING     |      |
| 1    | 168866   | METER HOUSING, RIGHT              | 1    |
| 2    | 168867   | METER HOUSING, LEFT               | 1    |
| 3    | 168871   | METER, FEED ROLL WASHER           | 1    |
| 4    | 168872   | METER, SEED GATE                  | 1    |
| 5    | 168873   | METER, SEED GATE HANDLE           | 1    |
| 6    | 172730   | SCREW, THREAD CUTTING #8-18 X 3/8 | 7    |



ILLUSTRATED PARTS LIST

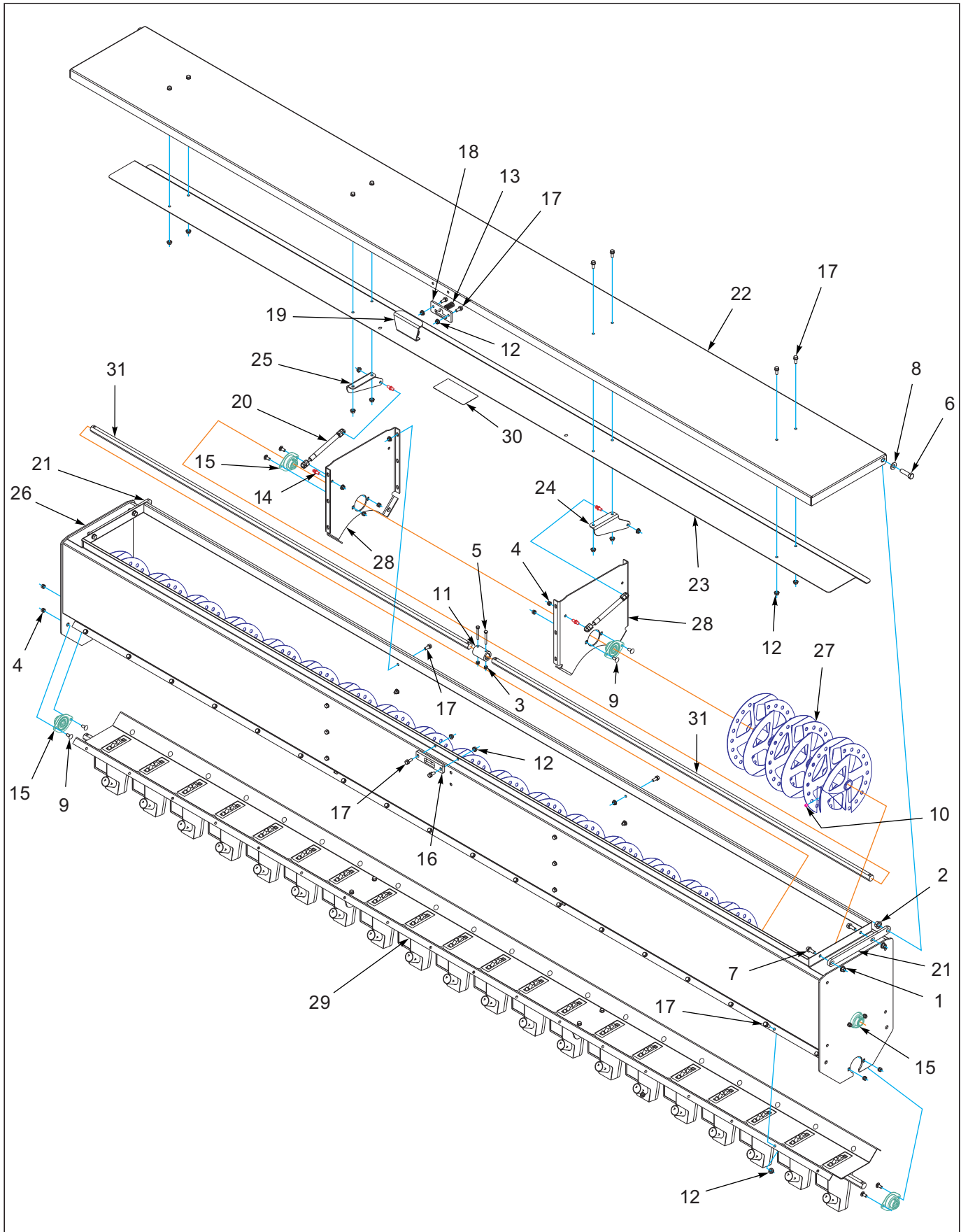


Figure 1-15: NG Box Assembly 12-1/2' x 7.5"

## NG Box Assembly 12-1/2' x 7.5''

| ITEM | PART NO.        | DESCRIPTION                                 | QTY. |
|------|-----------------|---|------|
| --   | 220136          | NG BOX ASSY, 12-1/2X7.5                     |      |
| 1    | 1-510-010001    | NUT, 3/8-16 UNC FLANGE LOCK                 | 4    |
| 2    | 1-510-010003-09 | NUT, 1/2-13 FLANGE HD, SERRATED             | 2    |
| 3    | 1-512-010005-01 | NUT, HEX, SLFLKG GRB 1/4-20                 | 2    |
| 4    | 1-512-010005-03 | NUT HEX SLFLKG GRB 5/16-18                  | 12   |
| 5    | 1-654-010047-10 | SCREW, HX CP, 1/4-20UNC X2 GR5              | 2    |
| 6    | 1-654-010055-04 | SCREW, HEX CAP, 1/2-13UNCX1-3/4             | 2    |
| 7    | 1-655-010003-05 | SCREW, FLANGE HD 3/8-16X1 GR8               | 4    |
| 8    | 1-861-010032-14 | WASHER, FLAT 1/2" N ZP/CD                   | 2    |
| 9    | 105909          | SCREW, RDHD, SQNCK, 5/16-18X3/4             | 12   |
| 10   | 107-0975        | SCREW SET LOCK 5/16-18X3/8LG                | 24   |
| 11   | 122853          | COUPLER, DRIVE SHAFT                        | 1    |
| 12   | 126561          | NUT, FLG HD, SERRATED, 5/16-18ZP            | 68   |
| 13   | 139692          | SPRING .56IDX1.41FLX24# COMP                | 1    |
| 14   | 1401756         | BALL STUD                                   | 4    |
| 15   | 144060          | BEARING .875 HEX BORE, 2-BOLT               | 6    |
| 16   | 144141          | STOP, LATCH                                 | 1    |
| 17   | 144268          | SCREW 5/16-18UNCX3/4FLG HD ZP               | 65   |
| 18   | 161474          | MOUNT, LATCH                                | 1    |
| 19   | 161475          | HANDLE, LATCH                               | 1    |
| 20   | 205240          | GAS SPRING, 12.4" X 45#                     | 2    |
| 21   | 214776          | BRACKET, SEED BOX LID                       | 2    |
| 22   | 216759          | LID, SEED BOX 12-1/2' WLDMT                 | 1    |
| 23   | 216763          | SHIELD, SPLASH GUARD 12-1/2'                | 1    |
| 24   | 216798          | BRACKET, SPRING MOUNT RIGHT                 | 1    |
| 25   | 216799          | BRACKET, SPRING MOUNT LEFT                  | 1    |
| 26   | 220142          | BOX, NATIVE GRASS 12-1/2 WLDMT              | 1    |
| 27   | 220172          | AGITATOR, NATIVE GRASS WLDMT                | 20   |
| 28   | 221120          | PANEL, SEED BOX NG                          | 2    |
| 29   | 221123          | METER ASSY, NG 12-1/2'X7.5" (SEE PAGE 1-33) | 1    |
| 30   | 222372          | DECAL, WARNING ROTATING PART                | 1    |
| 31   | 224503          | SHAFT, 7/8 HEX, 76-1/2 L                    | 2    |

ILLUSTRATED PARTS LIST

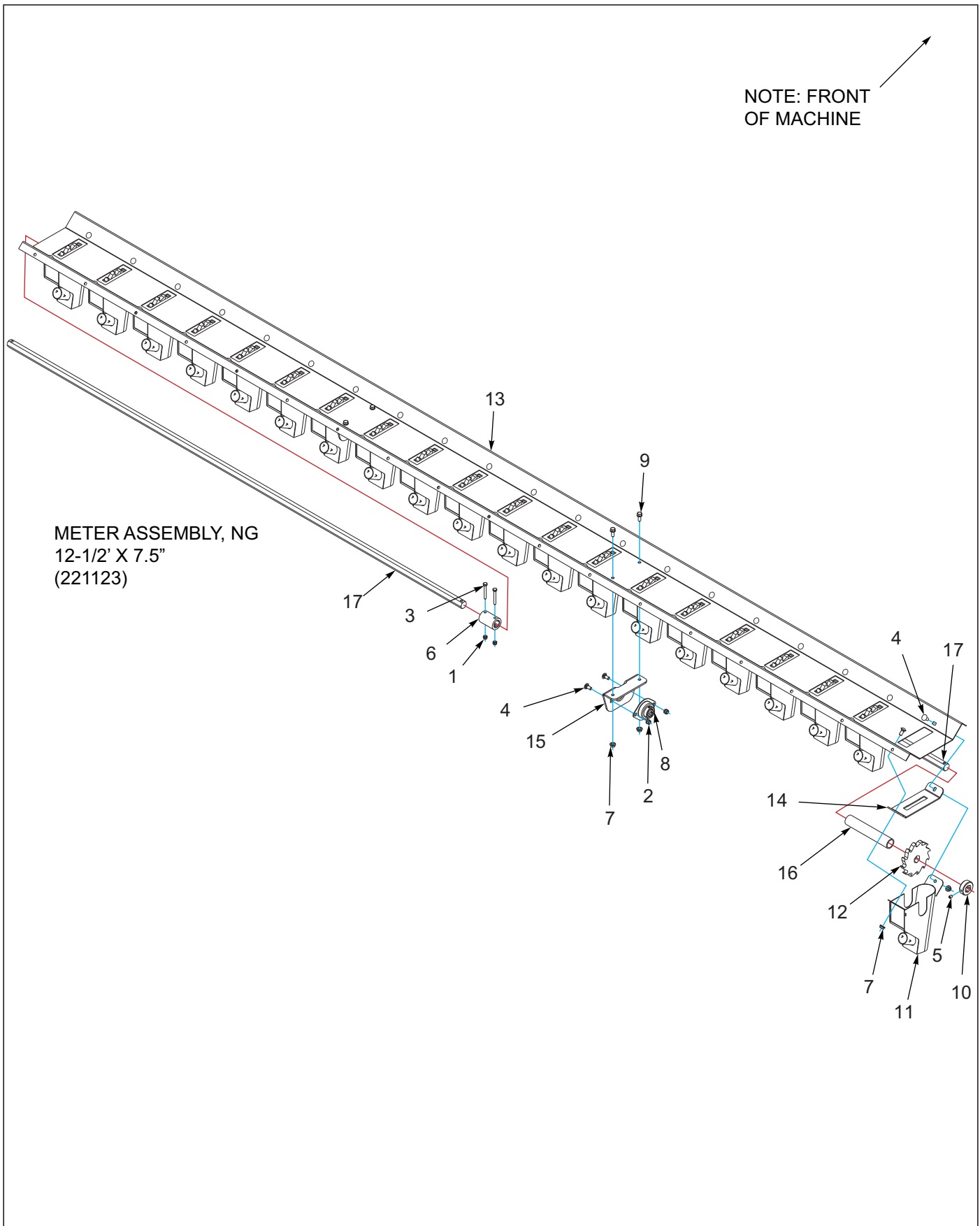


Figure 1-16: Meter Assembly NG 12-1/2' x 7.5" NG



## Meter Assembly NG 12-1/2' x 7.5" NG

| ITEM | PART NO.        | DESCRIPTION                    | QTY. |
|------|-----------------|--------------------------------|------|
| --   | 221123          | METER ASSY, NG 12-1/2'X7.5"    |      |
| 1    | 1-512-010005-01 | NUT,HEX,SLFLKG GRB 1/4-20      | 2    |
| 2    | 1-512-010005-03 | NUT HEX SLFLKG GRB 5/16-18     | 4    |
| 3    | 1-654-010047-10 | SCREW,HX CP,1/4-20UNC X2 GR5   | 2    |
| 4    | 105909          | SCREW,RDHD,SQNCK,5/16-18X3/4   | 44   |
| 5    | 107-0975        | SCREW SET LOCK 5/16-18X3/8LG   | 4    |
| 6    | 122853          | COUPLER, DRIVE SHAFT           | 1    |
| 7    | 126561          | NUT,FLG HD,SERRATED,5/16-18ZP  | 44   |
| 8    | 144060          | BEARING .875 HEX BORE, 2-BOLT  | 2    |
| 9    | 144268          | SCREW 5/16-18UNCX3/4FLG HD ZP  | 4    |
| 10   | 158305          | SET COLLAR, 7/8 HEX            | 8    |
| 11   | 220129          | FEED CUP, NATIVE GRASS WLDMT   | 20   |
| 12   | 220132          | WHEEL, PICKER NATIVE GRASS     | 20   |
| 13   | 220139          | BOTTOM, NATIVE GRASS12-1/2X7.5 | 1    |
| 14   | 220147          | GUIDE, PICKER WHEEL            | 20   |
| 15   | 221124          | MOUNT, BEARING NG              | 2    |
| 16   | 221195          | SPACER, METER 7 L              | 16   |
| 17   | 224503          | SHAFT, 7/8 HEX, 76-1/2 L       | 2    |

ILLUSTRATED PARTS LIST

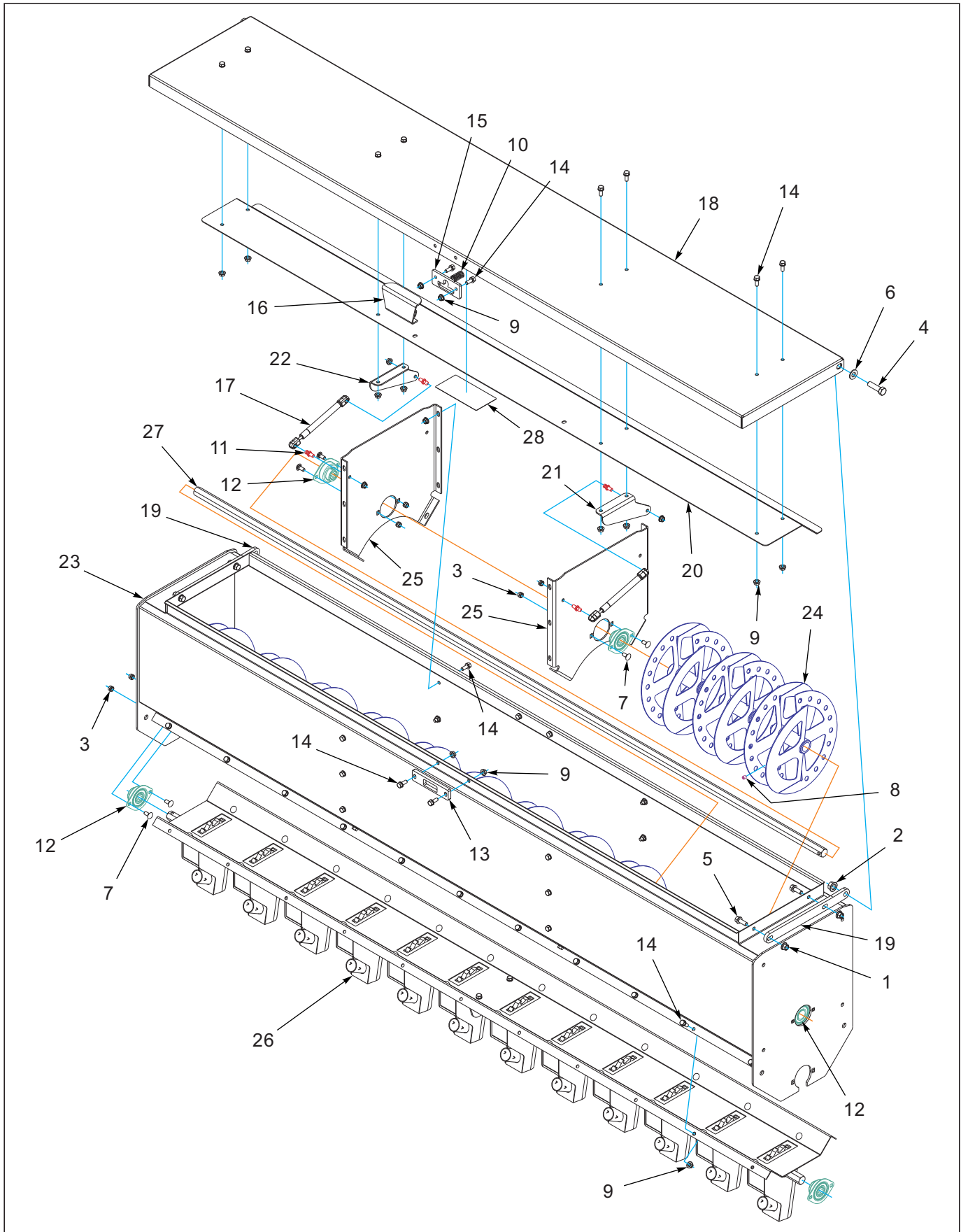


Figure 1-17: NG Box Assembly 7-1/2' x 7.5"

## NG Box Assembly 7-1/2' x 7.5"

| ITEM | PART NO.        | DESCRIPTION   | QTY. |    |
|------|-----------------|---|------|----|
| --   | 220134          | NG BOX ASSY, 7-1/2X7.5 RT                                 | *    |    |
| --   | 220135          | NG BOX ASSY, 7-1/2X7.5 LT <b>(SHOWN)</b>                  | *    |    |
| 1    | 1-510-010001    | NUT, 3/8-16 UNC FLANGE LOCK                               | 4    | 4  |
| 2    | 1-510-010003-09 | NUT,1/2-13 FLANGE HD,SERRATED                             | 2    | 2  |
| 3    | 1-512-010005-03 | NUT HEX SLFLKG GRB 5/16-18                                | 8    | 8  |
| 4    | 1-654-010055-04 | SCREW,HEX CAP,1/2-13UNCX1-3/4                             | 2    | 2  |
| 5    | 1-655-010003-05 | SCREW,FLANGE HD 3/8-16X1 GR8                              | 4    | 4  |
| 6    | 1-861-010032-14 | WASHER, FLAT 1/2" N ZP/CD                                 | 2    | 2  |
| 7    | 105909          | SCREW,RDHD,SQNCK,5/16-18X3/4                              | 8    | 8  |
| 8    | 107-0975        | SCREW SET LOCK 5/16-18X3/8LG                              | 24   | 24 |
| 9    | 126561          | NUT,FLG HD,SERRATED,5/16-18ZP                             | 56   | 56 |
| 10   | 139692          | SPRING .56IDX1.41FLX24# COMP                              | 1    | 1  |
| 11   | 1401756         | BALL STUD   | 4    | 4  |
| 12   | 144060          | BEARING .875 HEX BORE, 2-BOLT                             | 6    | 6  |
| 13   | 144141          | STOP, LATCH   | 1    | 1  |
| 14   | 144268          | SCREW 5/16-18UNCX3/4FLG HD ZP                             | 52   | 52 |
| 15   | 161474          | MOUNT, LATCH  | 1    | 1  |
| 16   | 161475          | HANDLE, LATCH   | 1    | 1  |
| 17   | 205240          | GAS SPRING, 12.4" X 45#                                   | 2    | 2  |
| 18   | 213973          | LID, SEED BOX 7-1/2' WLDMT                                | 1    | 1  |
| 19   | 214776          | BRACKET, SEED BOX LID                                     | 2    | 2  |
| 20   | 214791          | SHIELD, SPLASH GUARD 7-1/2'                               | 1    | 1  |
| 21   | 216798          | BRACKET, SPRING MOUNT RIGHT                               | 1    | 1  |
| 22   | 216799          | BRACKET, SPRING MOUNT LEFT                                | 1    | 1  |
| 23   | 220140          | BOX, NATIVE GRASS 7-1/2 WLDMT                             | 1    | 1  |
| 24   | 220172          | AGITATOR, NATIVE GRASS WLDMT                              | 12   | 12 |
| 25   | 221120          | PANEL, SEED BOX NG  | 2    | 2  |
| 26   | 221121          | METER ASSY, 7-1/2'X7.5" RT <b>(SEE PAGE 1-33)</b>         | 1    | -- |
| 26   | 221122          | METER ASSY, 7-1/2'X7.5" RT <b>(SEE PAGE 1-33) (SHOWN)</b> | --   | 1  |
| 27   | 222317          | SHAFT, 7/8 HEX, 92-1/4 L                                  | 1    | 1  |
| 28   | 222372          | DECAL, WARNING ROTATING PART                              | 1    | 1  |

ILLUSTRATED PARTS LIST

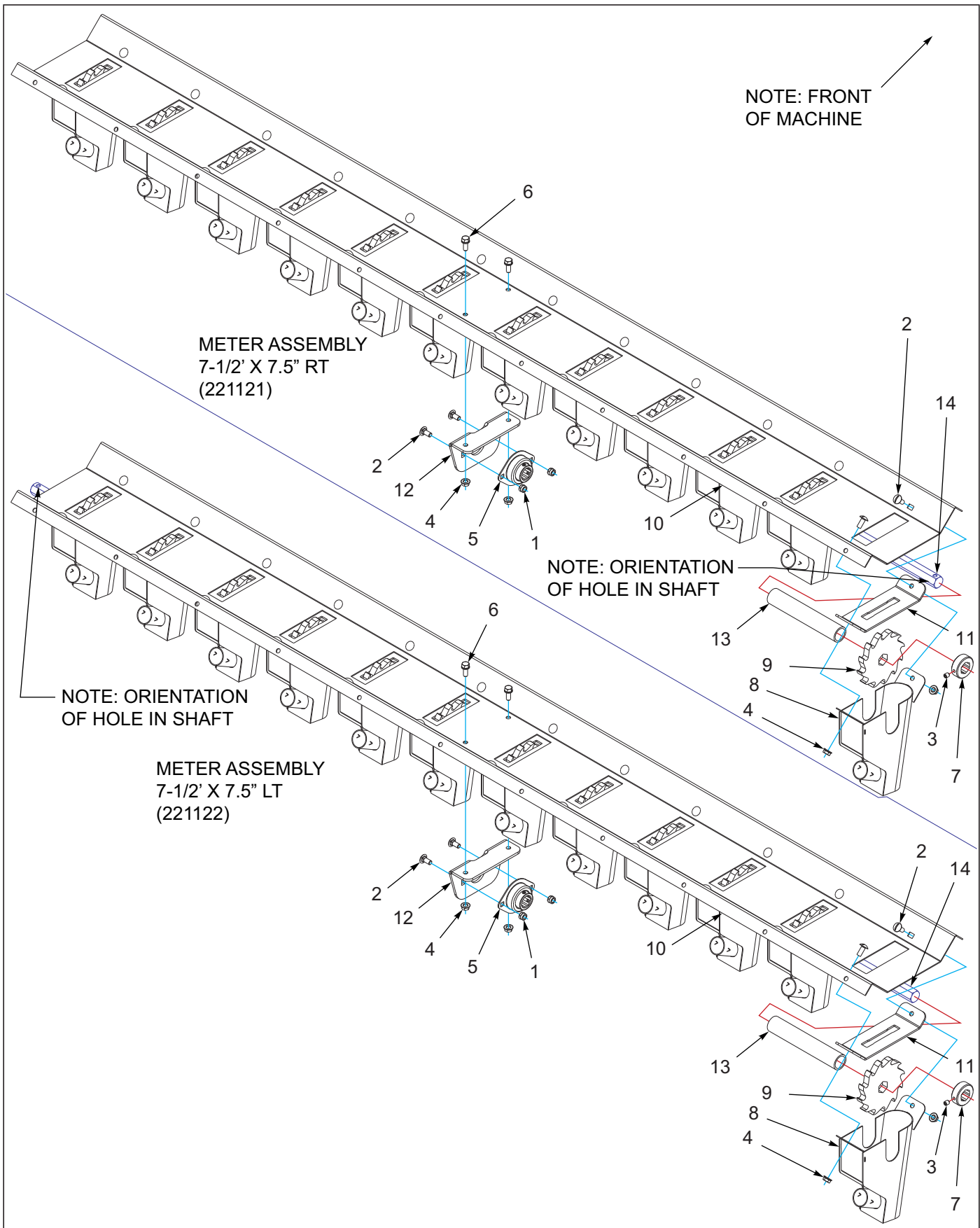


Figure 1-18: Meter Assembly NG 7-1/2' x 7.5"

## Meter Assembly NG 7-1/2' x 7.5"

| ITEM | PART NO.        | DESCRIPTION                    | QTY. |
|------|-----------------|--------------------------------|------|
| --   | 221121          | METER ASSY, 7-1/2'X7.5" RT     |      |
| --   | 221122          | METER ASSY, 7-1/2'X7.5" LT     |      |
| 1    | 1-512-010005-03 | NUT HEX SLFLKG GRB 5/16-18     | 2    |
| 2    | 105909          | SCREW,RDHD,SQNCK,5/16-18X3/4   | 26   |
| 3    | 107-0975        | SCREW SET LOCK 5/16-18X3/8LG   | 4    |
| 4    | 126561          | NUT,FLG HD,SERRATED,5/16-18ZP  | 26   |
| 5    | 144060          | BEARING .875 HEX BORE, 2-BOLT  | 1    |
| 6    | 144268          | SCREW 5/16-18UNCX3/4FLG HD ZP  | 2    |
| 7    | 158305          | SET COLLAR, 7/8 HEX            | 4    |
| 8    | 220129          | FEED CUP, NATIVE GRASS WLDMT   | 12   |
| 9    | 220132          | WHEEL, PICKER NATIVE GRASS     | 12   |
| 10   | 220137          | BOTTOM, NATIVE GRASS 7-1/2X7.5 | 1    |
| 11   | 220147          | GUIDE, PICKER WHEEL            | 12   |
| 12   | 221124          | MOUNT, BEARING NG              | 1    |
| 13   | 221195          | SPACER, METER 7 L              | 10   |
| 14   | 222317          | SHAFT, 7/8 HEX, 92-1/4 L       | 1    |



## Seed and Native Grass Boxes To Frame 5110NG-12-1/2'

| ITEM | PART NO.        | DESCRIPTION                      | QTY. |
|------|-----------------|----------------------------------|------|
| 1    | 222392          | BOX ASSY, 12-1/2' X 7.5" 2.0     | 1    |
| 2    | 220136          | NG BOX ASSY, 12-1/2X7.5          | 1    |
| 3    | 1-655-010001-3  | SCREW, FLG HD 1/2-13X1-1/2       | 8    |
| 4    | 1-510-010003-09 | NUT, 1/2-13 FLANGE HD, SERRATED  | 8    |
| 5    | 224511          | MOUNT, BOX SUPPORT               | 2    |
| 6    | 222349          | MOUNT, NG/FERTILIZER             | 2    |
| 7    | 1-512-010005-01 | NUT, HEX, SLFLKG GRB 1/4-20      | 2    |
| 8    | 1-512-010005-09 | NUT, HEX, SLFLKG, 1/2-13 GRB     | 16   |
| 9    | 151540          | HANDLE, SEED BOX                 | 1    |
| 10   | 1-654-010051-05 | SCREW, HEX CAP 3/8-16UNCX1 GR5   | 6    |
| 11   | 1-512-010005-05 | NUT, HEX, SLFLKG GRB 3/8-16      | 6    |
| 12   | 122836          | SPROCKET, TRANS 30T MONOSEM      | 2    |
| 13   | 1-647-010004217 | SPRING PIN, SLOTTED 1/4X1-1/2    | 1    |
| 14   | 1-654-010055-12 | SCREW, CP, HX .50-13UNCX3.75 GR5 | 3    |
| 15   | 166710          | SPACER, LEVELER                  | 3    |
| 16   | 172509          | NUT, 1/2-13 WIDE FLNG TOP LCK F  | 7    |
| 17   | 221136          | BRACKET, IDLER                   | 2    |
| 18   | 1-654-010070-03 | SCREW RDHD SQNK 1/2-13X1-1/2     | 2    |
| 19   | 122871          | SPROCKET, TRANSMISSION IDLER     | 2    |
| 20   | 221129          | SPROCKET, #40X30 1-1/8 BORE      | 1    |
| 21   | 221128          | SLEEVE, 1.125 X .630 SQ          | 1    |
| 22   | 110-4336        | KEY 1/4 SQ X 1 LG ENGINE SHAFT   | 1    |
| 23   | 172700          | WASHER, 1.50 OD X .640 SQ        | 1    |
| 24   | 1-512-010007-12 | NUT, HEX 3/4-10 GR2 ZP           | 2    |
| 25   | 104031          | SCREW, RDHD, SQNK 5/16-18X1 GR5  | 2    |
| 26   | 119549          | TUBE RD 1-1/4X25/32X1/2 ZP       | 1    |
| 27   | 143901          | FLANGE, BEARING 2-HOLE           | 2    |
| 28   | 144147          | BEARING, 52MM OD X 1" ID         | 1    |
| 29   | 1-512-010005-03 | NUT HEX SLFLKG GRB 5/16-18       | 6    |
| 30   | 144060          | BEARING .875 HEX BORE, 2-BOLT    | 2    |
| 31   | 105909          | SCREW, RDHD, SQNCK, 5/16-18X3/4  | 4    |
| 32   | 107-0975        | SCREW SET LOCK 5/16-18X3/8LG     | 2    |
| 33   | 151588          | SPROCKET, #40 X 15, 7/8 HEX      | 2    |
| 34   | 1-654-010055-02 | SCREW 1/2-13UNCX1-1/4 CP GR5     | 16   |
| 35   | 150076          | MANUAL TUBE (4-1/4"ID)           | 1    |
| 36   | 1-654-010047-06 | SCREW, HX CP 1/4-20UNCX1 GR5     | 2    |



ILLUSTRATED PARTS LIST

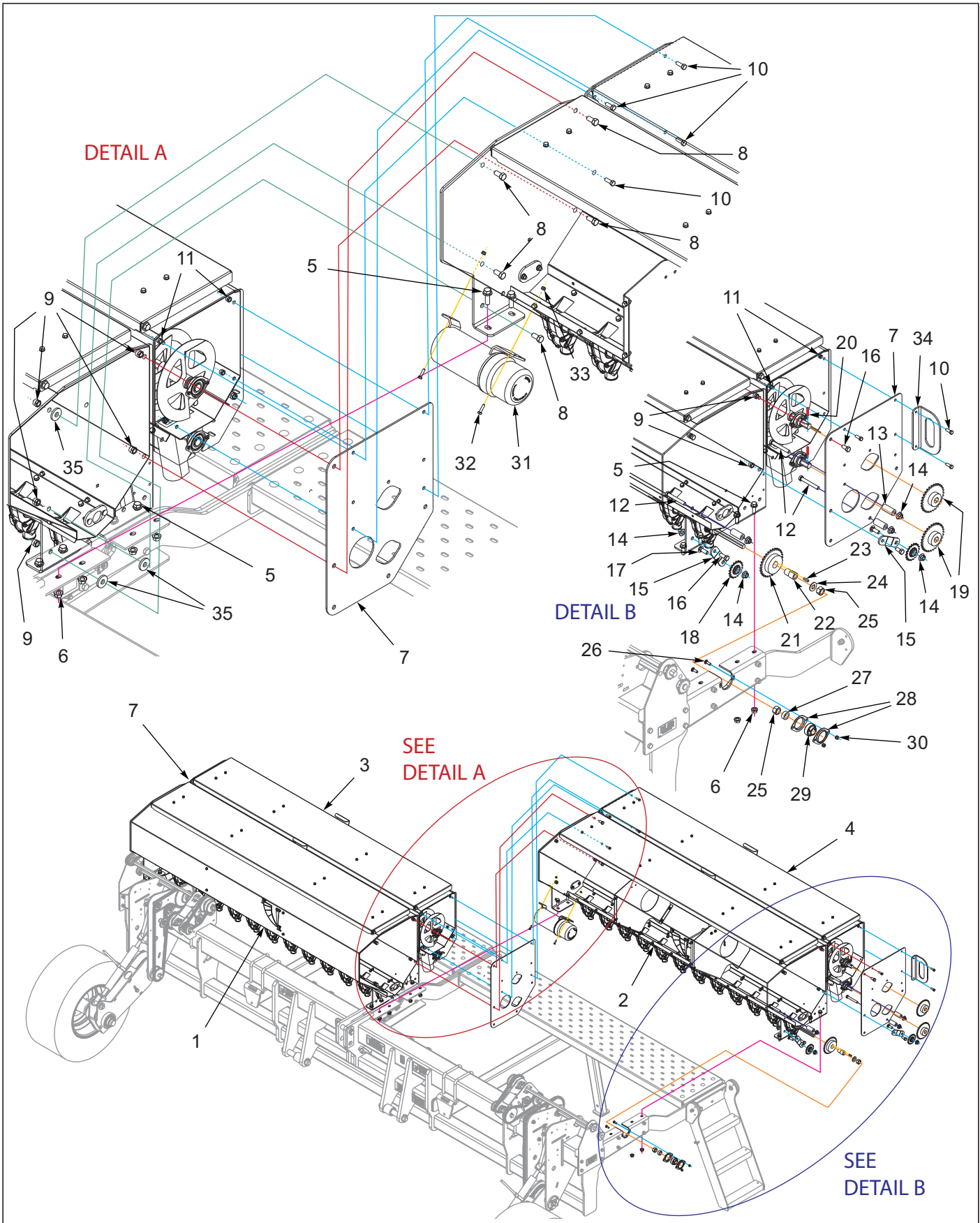


Figure 1-20: Seed and Native Grass Boxes To Frame5110NG-15'



## Seed and Native Grass Boxes To Frame 5110NG-15'

| ITEM | PART NO.        | DESCRIPTION                                  | QTY. |
|------|-----------------|--|------|
| 1    | 221174          | BOX ASSY, 7-1/2'X7.5" 2.0 RT (SEE PAGE 1-25) | 1    |
| 2    | 221175          | BOX ASSY, 7-1/2'X7.5" 2.0 LT (SEE PAGE 1-25) | 1    |
| 3    | 220134          | NG BOX ASSY, 7-1/2X7.5 RT (SEE PAGE 1-31)    | 1    |
| 4    | 220135          | NG BOX ASSY, 7-1/2X7.5 LT (SEE PAGE 1-31)    | 1    |
| 5    | 1-655-010001-3  | SCREW, FLG HD 1/2-13X1-1/2                   | 16   |
| 6    | 1-510-010003-09 | NUT,1/2-13 FLANGE HD,SERRATED                | 16   |
| 7    | 222349          | MOUNT, NG/FERTILIZER                         | 3    |
| 8    | 1-654-010055-03 | SCREW,HEX CAP,1/2-13UNCX1-1/2                | 5    |
| 9    | 1-512-010005-09 | NUT,HEX,SLFLKG, 1/2-13 GRB                   | 9    |
| 10   | 1-654-010051-05 | SCREW,HEX CAP 3/8-16UNCX1 GR5                | 10   |
| 11   | 1-512-010005-05 | NUT, HEX, SLFLKG GRB 3/8-16                  | 10   |
| 12   | 1-654-010055-12 | SCREW,CP,HX .50-13UNCX3.75 GR5               | 6    |
| 13   | 166710          | SPACER, LEVELER                              | 6    |
| 14   | 172509          | NUT,1/2-13 WIDE FLNG TOP LCK F               | 10   |
| 15   | 221136          | BRACKET, IDLER                               | 4    |
| 16   | 1-654-010055-02 | SCREW 1/2-13UNCX1-1/4 CP GR5                 | 4    |
| 17   | 1-654-010070-03 | SCREW RDHD SQNK1/2-13X1-1/2                  | 4    |
| 18   | 122871          | SPROCKET,TRANSMISSION IDLER                  | 4    |
| 19   | 122836          | SPROCKET,TRANS 30T MONOSEM                   | 4    |
| 20   | 1-647-010004217 | SPRING PIN, SLOTTED 1/4X1-1/2                | 4    |
| 21   | 221129          | SPROCKET, #40X30 1-1/8 BORE                  | 2    |
| 22   | 221128          | SLEEVE, 1.125 X .630 SQ                      | 2    |
| 23   | 110-4336        | KEY 1/4 SQ X 1 LG ENGINE SHAFT               | 2    |
| 24   | 172700          | WASHER, 1.50 OD X .640 SQ                    | 2    |
| 25   | 1-512-010007-12 | NUT, HEX 3/4-10 GR2 ZP                       | 4    |
| 26   | 104031          | SCREW,RDHD,SQNK 5/16-18X1 GR5                | 4    |
| 27   | 119549          | TUBE RD 1-1/4X25/32X1/2 ZP                   | 2    |
| 28   | 143901          | FLANGE, BEARING 2-HOLE                       | 4    |
| 29   | 144147          | BEARING, 52MM OD X 1" ID                     | 2    |
| 30   | 1-512-010005-03 | NUT HEX SLFLKG GRB 5/16-18                   | 4    |
| 31   | 150076          | MANUAL TUBE (4-1/4"ID)                       | 1    |
| 32   | 1-654-010047-06 | SCREW,HX CP 1/4-20UNCX1 GR5                  | 2    |
| 33   | 1-512-010005-01 | NUT,HEX,SLFLKG GRB 1/4-20                    | 2    |
| 34   | 151540          | HANDLE, SEED BOX                             | 1    |
| 35   | 153631          | WASHER, FLAT 1/2HD                           | 3    |

ILLUSTRATED PARTS LIST

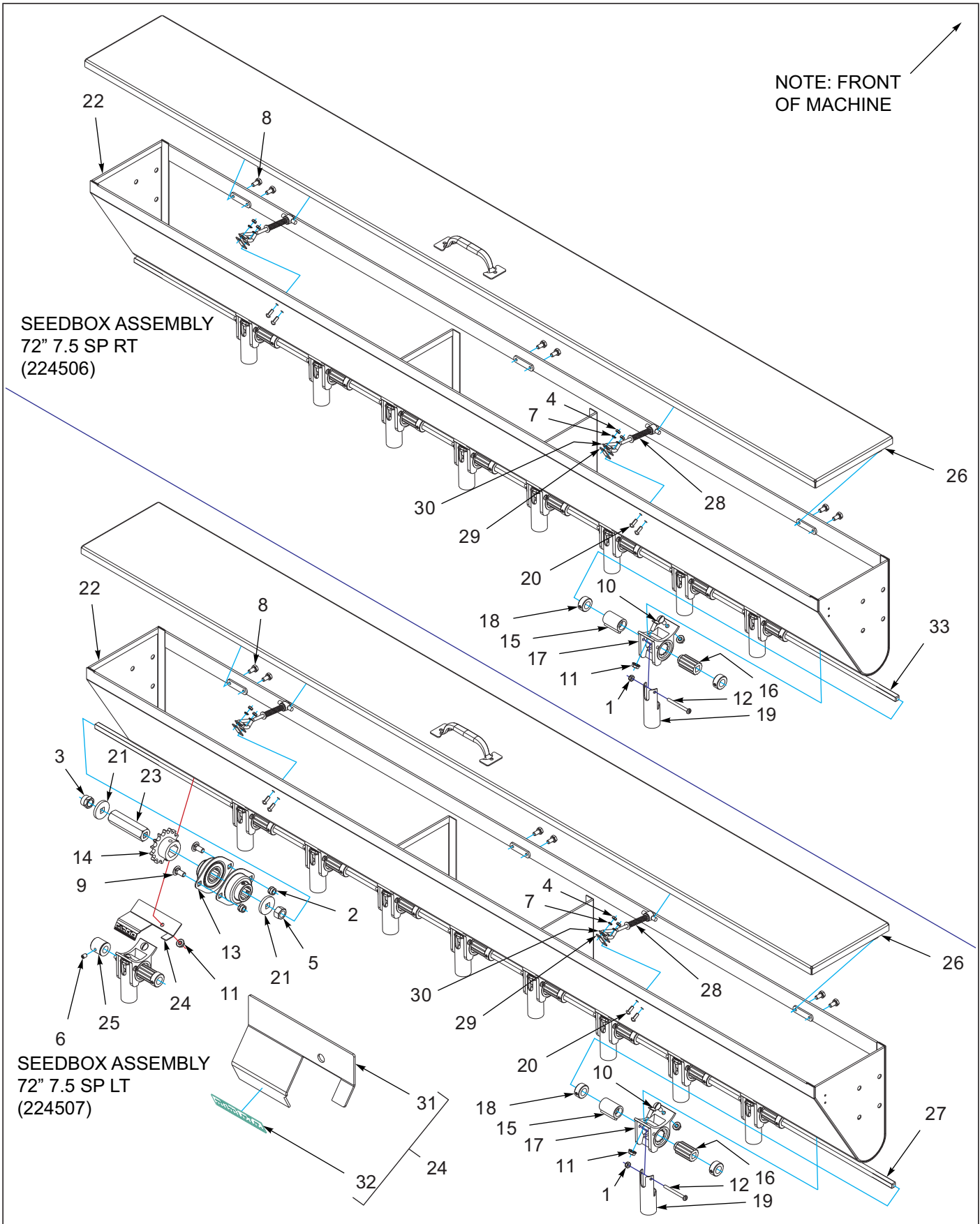


Figure 1-21: Seedbox Assembly 72" 7.5 SP

## Seedbox Assembly 72" 7.5 SP

| ITEM | PART NO.        | DESCRIPTION                                    | QTY. |
|------|-----------------|--|------|
| --   | 224506          | SEEDBOX ASSY, 72" 7.5 SP RT                    |      |
| --   | 224507          | SEEDBOX ASSY, 72" 7.5 SP LT                    |      |
| 1    | 1-512-010003-05 | NUT HEX SLFLKG W/NYL 10-32                     | 10   |
| 2    | 1-512-010005-03 | NUT HEX SLFLKG GRB 5/16-18                     | 2    |
| 3    | 1-512-010005-09 | NUT,HEX,SLFLKG, 1/2-13 GRB                     | 1    |
| 4    | 1-512-010007-03 | NUT, HEX 10-24 GR2 ZP                          | 4    |
| 5    | 1-512-010007-09 | NUT, HEX 1/2-13 GR2 ZP                         | 1    |
| 6    | 1-654-010101-2  | SCREW,SET,1/4 HX SOC CP PT                     | 1    |
| 7    | 1-861-010034-07 | WASHER,LKG,HLCL SPR, NO 10                     | 4    |
| 8    | 104877          | SCREW,HX CP,1/4-20UNCX1/2 GR5                  | 6    |
| 9    | 105909          | SCREW,RDHD,SQNCK,5/16-18X3/4                   | 2    |
| 10   | 108213          | SCREW RD HD MACH 1/4-20X5/8                    | 20   |
| 11   | 108417          | NUT SPIRAL 1/4-20HX FG                         | 20   |
| 12   | 132554          | SCREW-PAN HD PHH #10-32X2 ZP                   | 10   |
| 13   | 144060          | BEARING .875 HEX BORE, 2-BOLT                  | 2    |
| 14   | 151588          | SPROCKET, #40 X 15, 7/8 HEX                    | 1    |
| 15   | 155871          | METER, FEED CUT OFF                            | 10   |
| 16   | 155873          | METER, FEED ROLL                               | 10   |
| 17   | 155874          | METER, PLASTIC CUP W/HOLE                      | 10   |
| 18   | 159041          | COLLAR, SHAFT SET, 9/16 RD                     | 19   |
| 19   | 172656          | TUBE, GRASS SEED METER                         | 10   |
| 20   | 1C213           | STOVE BOLT #10-24X1/2 RD HD ZP                 | 4    |
| 21   | 212790          | WASHER, 1.375 OD X .375 SQ                     | 2    |
| 22   | 215989          | SEEDBOX, 72"                                   | 1    |
| 23   | 216734          | SHAFT, SMALL SEED                              | 1    |
| 24   | 216735          | SCALE, SMALL SEED ASSY (INCLUDES ITEMS 31, 32) | 1    |
| 25   | 216737          | POINTER, SCALE                                 | 1    |
| 26   | 216747          | COVER, SEEDBOX 72"                             | 1    |
| 27   | 224509          | SHAFT, 3/8 SQ X 79 W/THDS                      | 1    |
| 28   | 6K232           | PIVOT LOCK ASSY                                | 2    |
| 29   | 7D937           | WEAR STRIP                                     | 2    |
| 30   | 7D938           | COVER LOCK CLIP                                | 2    |
| 31   | 216736          | MOUNT, SCALE                                   | 1    |
| 32   | 172715          | PLACARD, METER OPENING                         | 1    |
| 33   | 224510          | SHAFT, 3/8 SQ X 72 W/THDS                      | 1    |

ILLUSTRATED PARTS LIST

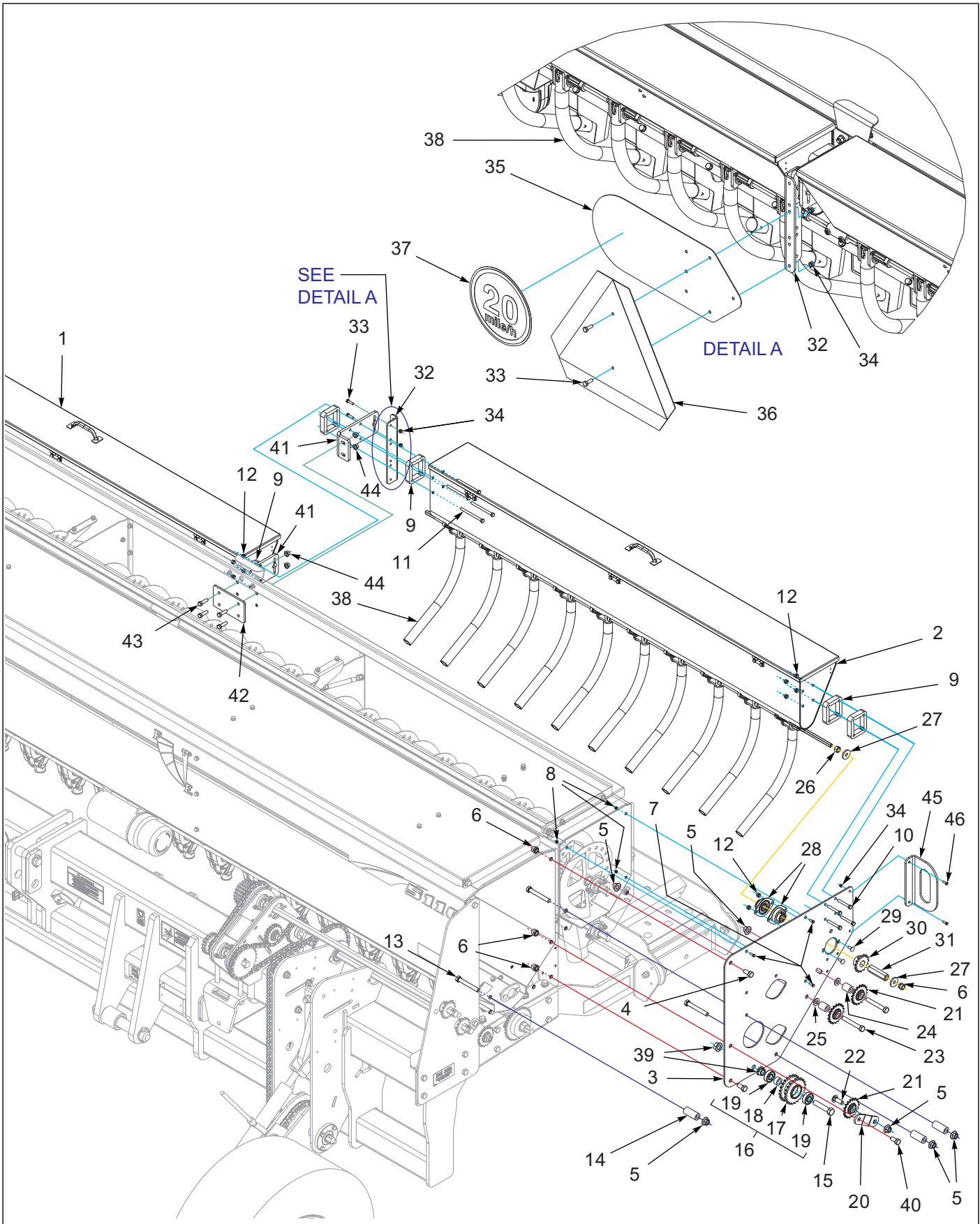


Figure 1-22: Small Seed Boxes To Frame 5110NG-12.5'

## Small Seed Boxes To Frame 5110NG-12.5'

| ITEM | PART NO.        | DESCRIPTION                                       | QTY. |
|------|-----------------|---|------|
| 1    | 224506          | SEEDBOX ASSY, 72" 7.5 SP RT (SEE PAGE 1-43)       | 1    |
| 2    | 224507          | SEEDBOX ASSY, 72" 7.5 SP LT (SEE PAGE 1-43)       | 1    |
| 3    | 213971          | MOUNT, SMALL SEED NG/FERT                         | 2    |
| 4    | 1-654-010055-02 | SCREW 1/2-13UNCX1-1/4 CP GR5                      | 4    |
| 5    | 172509          | NUT,1/2-13 WIDE FLNG TOP LCK F                    | 5    |
| 6    | 1-512-010005-09 | NUT,HEX,SLFLKG, 1/2-13 GRB                        | 5    |
| 7    | 1-654-010051-05 | SCREW,HEX CAP 3/8-16UNCX1 GR5                     | 6    |
| 8    | 1-512-010005-05 | NUT, HEX, SLFLKG GRB 3/8-16                       | 6    |
| 9    | 221163          | MOUNT, SMALL SEED                                 | 7    |
| 10   | 108628          | SCREW HX CP 5/16-18UNCX2-1/4                      | 8    |
| 11   | 1-654-010049-15 | SCREW,HEX CAP,5/16-18UNCX3.50                     | 4    |
| 12   | 1-512-010005-03 | NUT HEX SLFLKG GRB 5/16-18                        | 16   |
| 13   | 1-654-010055-12 | SCREW,CP,HX .50-13UNCX3.75 GR5                    | 3    |
| 14   | 166710          | SPACER, LEVELER                                   | 3    |
| 15   | 1-654-010059-09 | SCREW 5/8-11UNCX3 HX CP GR5                       | 2    |
| 16   | 220119          | SPROCKET ASSY, DOUBLE (INCLUDES ITEMS 17, 18, 19) | 1    |
| 17   | 220120          | SPROCKET, DOUBLE WLDMT                            | 1    |
| 18   | 3P285           | TUBE RD .640 X 1 X .5                             | 1    |
| 19   | 7K114           | BALL BEARING - 5/8" BORE                          | 2    |
| 20   | 221136          | BRACKET, IDLER                                    | 1    |
| 21   | 122871          | SPROCKET,TRANSMISSION IDLER                       | 3    |
| 22   | 1-654-010070-03 | SCREW RDHD SQNK1/2-13X1-1/2                       | 1    |
| 23   | 1-654-010055-11 | SCREW,HX CP 1/2-13UNCX3-1/2                       | 2    |
| 24   | 222350          | SPACER, 1-1/4L                                    | 2    |
| 25   | 1-861-010032-14 | WASHER, FLAT 1/2" N ZP/CD                         | 2    |
| 26   | 1-512-010007-09 | NUT, HEX 1/2-13 GR2 ZP                            | 1    |
| 27   | 212790          | WASHER, 1.375 OD X .375 SQ                        | 2    |
| 28   | 144060          | BEARING .875 HEX BORE, 2-BOLT                     | 2    |
| 29   | 105909          | SCREW,RDHD,SQNK,5/16-18X3/4                       | 2    |
| 30   | 151588          | SPROCKET, #40 X 15, 7/8 HEX                       | 1    |
| 31   | 216734          | SHAFT, SMALL SEED                                 | 1    |
| 32   | 221159          | BRACKET, SMV                                      | 1    |
| 33   | 1-654-010047-06 | SCREW,HX CP 1/4-20UNCX1 GR5                       | 4    |
| 34   | 1-512-010005-01 | NUT,HEX,SLFLKG GRB 1/4-20                         | 6    |
| 35   | 224590          | MOUNT, SIS DECAL                                  | 1    |
| 36   | 70260977        | SMV EMBLEM  | 1    |
| 37   | 224589          | DECAL, SIS 20 MILE/H                              | 1    |
| 38   | 222362          | HOSE, 1"ID X 1/8" WALL X 18" L                    | 20   |
| 39   | 100827          | NUT,FLG HD,SERRATED,5/8-11                        | 2    |
| 40   | 1-654-010055-03 | SCREW,HEX CAP,1/2-13UNCX1-1/2                     | 1    |
| 41   | 218419          | BRACKET, SMALL SEED                               | 2    |
| 42   | 218420          | PLATE, MOUNTING SMALL SEED                        | 1    |
| 43   | 1-654-010051-06 | SCREW,HEX CAP 3/8-16UNCX1-1/4                     | 4    |
| 44   | 1-510-010001    | NUT, 3/8-16 UNC FLANGE LOCK                       | 4    |
| 45   | 151540          | HANDLE, SEED BOX                                  | 1    |
| 46   | 1-654-010158-02 | SCREW,RHD,SQ NCK 1/4-20UNCX1                      | 2    |



ILLUSTRATED PARTS LIST

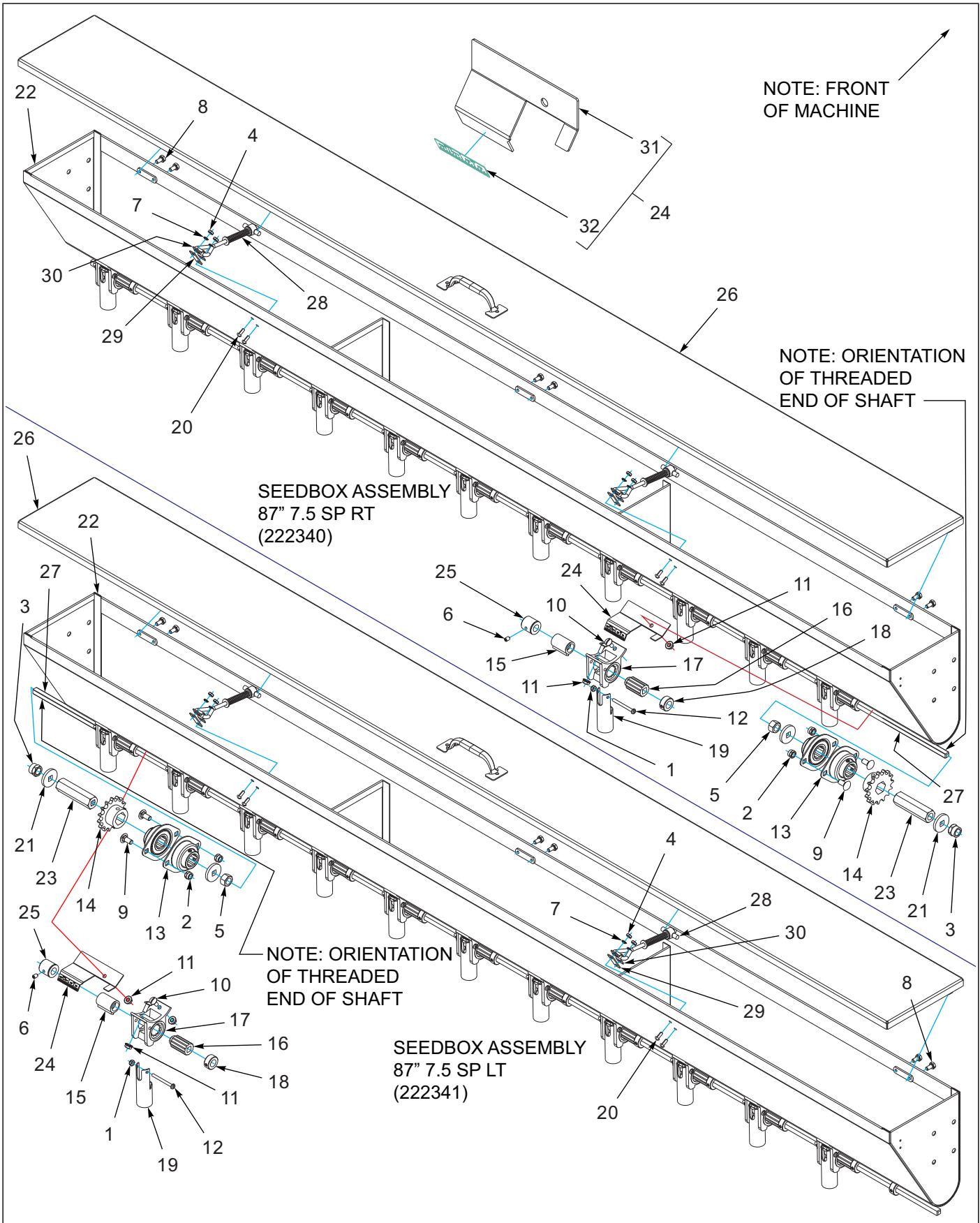


Figure 1-23: Seedbox Assembly 87" 7.5 SP

## Seedbox Assembly 87" 7.5 SP

| ITEM | PART NO.        | DESCRIPTION   | QTY. |
|------|-----------------|---|------|
| --   | 222340          | SEEDBOX ASSY, 87" 7.5 SP RT                           |      |
| --   | 222341          | SEEDBOX ASSY, 87" 7.5 SP LT                           |      |
| 1    | 1-512-010003-05 | NUT HEX SLFLKG W/NYL 10-32                            | 12   |
| 2    | 1-512-010005-03 | NUT HEX SLFLKG GRB 5/16-18                            | 2    |
| 3    | 1-512-010005-09 | NUT,HEX,SLFLKG, 1/2-13 GRB                            | 1    |
| 4    | 1-512-010007-03 | NUT, HEX 10-24 GR2 ZP                                 | 4    |
| 5    | 1-512-010007-09 | NUT, HEX 1/2-13 GR2 ZP                                | 1    |
| 6    | 1-654-010101-2  | SCREW,SET,1/4 HX SOC CP PT                            | 1    |
| 7    | 1-861-010034-07 | WASHER,LKG,HLCL SPR, NO 10                            | 4    |
| 8    | 104877          | SCREW,HX CP,1/4-20UNCX1/2 GR5                         | 6    |
| 9    | 105909          | SCREW,RDHD,SQNCK,5/16-18X3/4                          | 2    |
| 10   | 108213          | SCREW RD HD MACH 1/4-20X5/8                           | 24   |
| 11   | 108417          | NUT SPIRAL 1/4-20HX FG                                | 25   |
| 12   | 132554          | SCREW-PAN HD PHH #10-32X2 ZP                          | 12   |
| 13   | 144060          | BEARING .875 HEX BORE, 2-BOLT                         | 2    |
| 14   | 151588          | SPROCKET, #40 X 15, 7/8 HEX                           | 1    |
| 15   | 155871          | METER, FEED CUT OFF                                   | 12   |
| 16   | 155873          | METER, FEED ROLL                                      | 12   |
| 17   | 155874          | METER, PLASTIC CUP W/HOLE                             | 12   |
| 18   | 159041          | COLLAR, SHAFT SET, 9/16 RD                            | 23   |
| 19   | 172656          | TUBE, GRASS SEED METER                                | 12   |
| 20   | 1C213           | STOVE BOLT #10-24X1/2 RD HD ZP                        | 4    |
| 21   | 212790          | WASHER, 1.375 OD X .375 SQ                            | 2    |
| 22   | 215990          | SEEDBOX, 87"  | 1    |
| 23   | 216734          | SHAFT, SMALL SEED                                     | 1    |
| 24   | 216735          | SCALE, SMALL SEED ASSY <b>(INCLUDES ITEMS 31, 32)</b> | 1    |
| 25   | 216737          | POINTER, SCALE  | 1    |
| 26   | 216748          | COVER, SEEDBOX 87"                                    | 1    |
| 27   | 222342          | SHAFT, 3/8 SQ X 91 W/THDS                             | 1    |
| 28   | 6K232           | PIVOT LOCK ASSY                                       | 2    |
| 29   | 7D937           | WEAR STRIP  | 2    |
| 30   | 7D938           | COVER LOCK CLIP                                       | 2    |
| 31   | 216736          | MOUNT, SCALE  | 1    |
| 32   | 172715          | PLACARD, METER OPENING                                | 1    |

ILLUSTRATED PARTS LIST

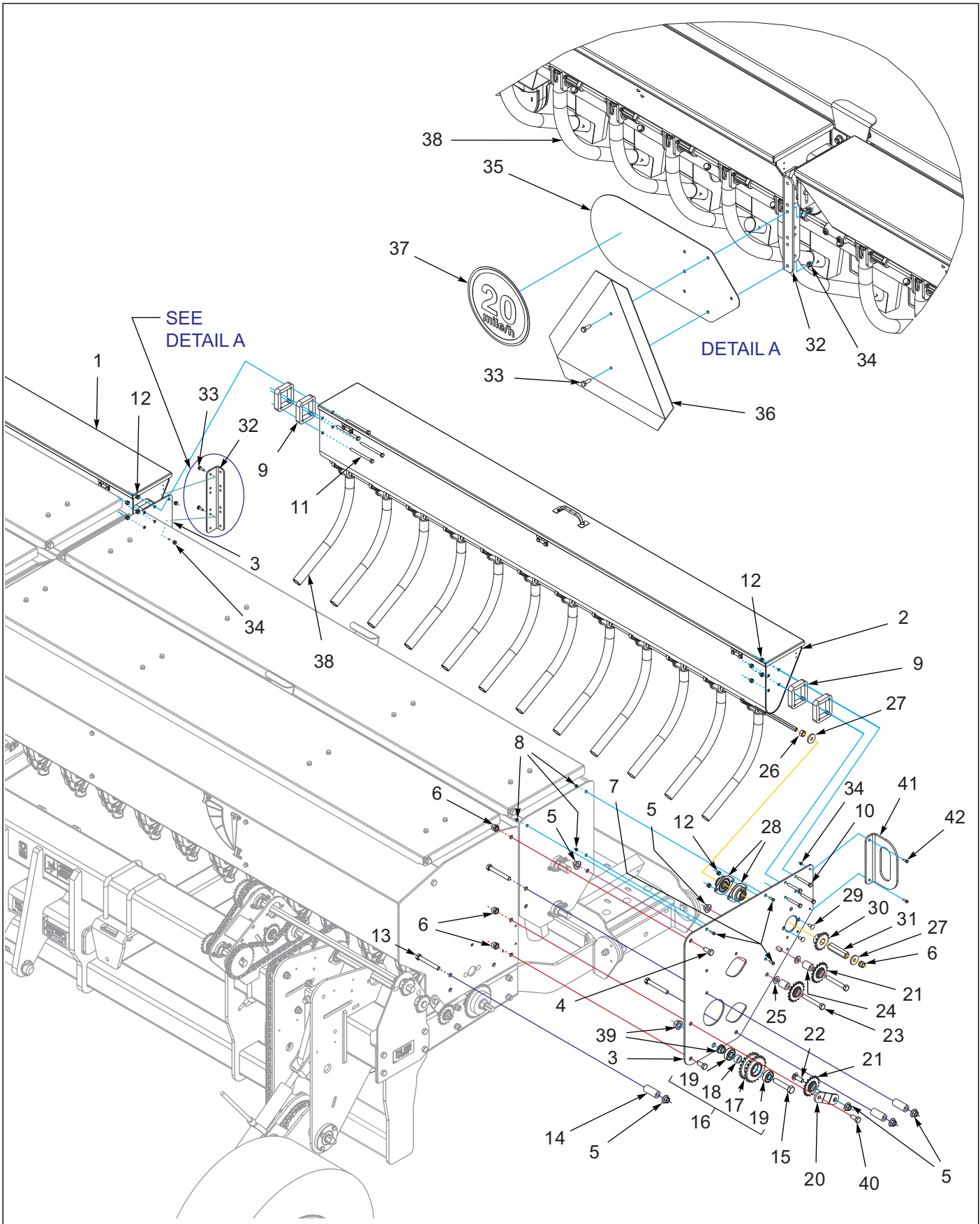


Figure 1-24: Small Seed Boxes To Frame 5110NG-15'



## Small Seed Boxes To Frame 5110NG-15'

| ITEM | PART NO.        | DESCRIPTION                                       | QTY. |
|------|-----------------|---|------|
| 1    | 222340          | SEEDBOX ASSY, 87" 7.5 SP RT (SEE PAGE 1-47)       | 1    |
| 2    | 222341          | SEEDBOX ASSY, 87" 7.5 SP LT (SEE PAGE 1-47)       | 1    |
| 3    | 213971          | MOUNT, SMALL SEED NG/FERT                         | 3    |
| 4    | 1-654-010055-02 | SCREW 1/2-13UNCX1-1/4 CP GR5                      | 4    |
| 5    | 172509          | NUT,1/2-13 WIDE FLNG TOP LCK F                    | 10   |
| 6    | 1-512-010005-09 | NUT,HEX,SLFLKG, 1/2-13 GRB                        | 8    |
| 7    | 1-654-010051-05 | SCREW,HEX CAP 3/8-16UNCX1 GR5                     | 6    |
| 8    | 1-512-010005-05 | NUT, HEX, SLFLKG GRB 3/8-16                       | 6    |
| 9    | 221163          | MOUNT, SMALL SEED                                 | 8    |
| 10   | 108628          | SCREW HX CP 5/16-18UNCX2-1/4                      | 4    |
| 11   | 123579          | SCREW HX CP 5/16-18X4 ZP                          | 8    |
| 12   | 1-512-010005-03 | NUT HEX SLFLKG GRB 5/16-18                        | 16   |
| 13   | 1-654-010055-12 | SCREW,CP,HX .50-13UNCX3.75 GR5                    | 6    |
| 14   | 166710          | SPACER, LEVELER                                   | 6    |
| 15   | 1-654-010059-09 | SCREW 5/8-11UNCX3 HX CP GR5                       | 2    |
| 16   | 220119          | SPROCKET ASSY, DOUBLE (INCLUDES ITEMS 17, 18, 19) | 2    |
| 17   | 220120          | SPROCKET, DOUBLE WLDMT                            | 2    |
| 18   | 3P285           | TUBE RD .640 X 1 X .5                             | 2    |
| 19   | 7K114           | BALL BEARING - 5/8" BORE                          | 4    |
| 20   | 221136          | BRACKET, IDLER                                    | 2    |
| 21   | 122871          | SPROCKET,TRANSMISSION IDLER                       | 6    |
| 22   | 1-654-010070-03 | SCREW RDHD SQNK1/2-13X1-1/2                       | 2    |
| 23   | 1-654-010055-11 | SCREW,HX CP 1/2-13UNCX3-1/2                       | 4    |
| 24   | 222350          | SPACER, 1-1/4L                                    | 4    |
| 25   | 1-861-010032-14 | WASHER, FLAT 1/2" N ZP/CD                         | 4    |
| 26   | 1-512-010007-09 | NUT, HEX 1/2-13 GR2 ZP                            | 2    |
| 27   | 212790          | WASHER, 1.375 OD X .375 SQ                        | 4    |
| 28   | 144060          | BEARING .875 HEX BORE, 2-BOLT                     | 4    |
| 29   | 105909          | SCREW,RDHD,SQNK,5/16-18X3/4                       | 4    |
| 30   | 151588          | SPROCKET, #40 X 15, 7/8 HEX                       | 2    |
| 31   | 216734          | SHAFT, SMALL SEED                                 | 2    |
| 32   | 221159          | BRACKET, SMV                                      | 1    |
| 33   | 1-654-010047-04 | SCREW,HEX CAP,1/4-20X3/4 GR5                      | 4    |
| 34   | 1-512-010005-01 | NUT,HEX,SLFLKG GRB 1/4-20                         | 6    |
| 35   | 224590          | MOUNT, SIS DECAL                                  | 1    |
| 36   | 70260977        | SMV EMBLEM  | 1    |
| 37   | 224589          | DECAL, SIS 20 MILE/H                              | 1    |
| 38   | 222362          | HOSE, 1"ID X 1/8" WALL X 18" L                    | 24   |
| 39   | 100827          | NUT,FLG HD,SERRATED,5/8-11                        | 4    |
| 40   | 1-654-010055-03 | SCREW,HEX CAP,1/2-13UNCX1-1/2                     | 2    |
| 41   | 151540          | HANDLE, SEED BOX                                  | 1    |
| 42   | 1-654-010158-02 | SCREW,RHD,SQ NCK 1/4-20UNCX1                      | 2    |

ILLUSTRATED PARTS LIST

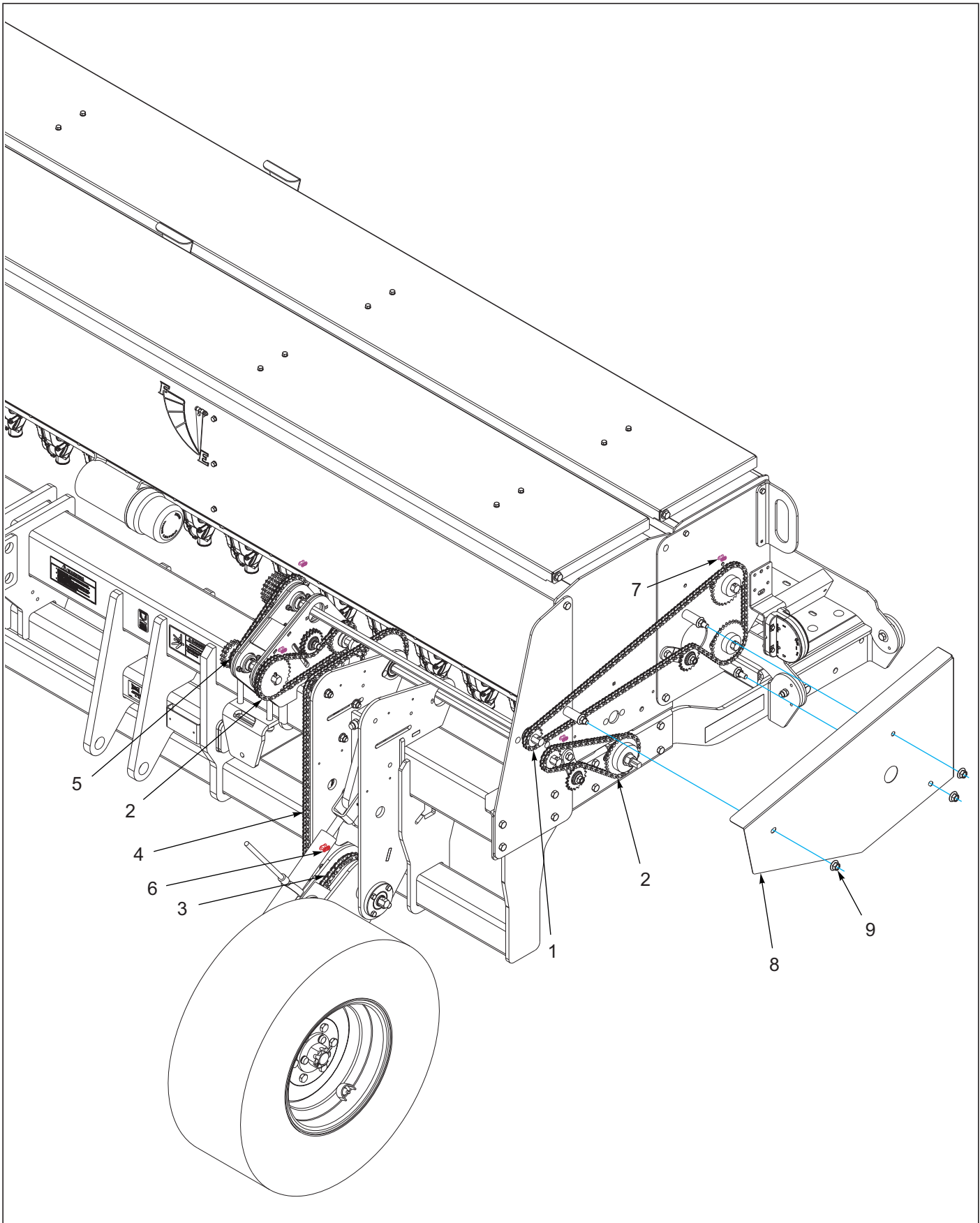


Figure 1-25: Seed and Native Grass Drive Chain Assembly 5110NG-12.5'

**Seed and Native Grass Drive Chain Assembly 5110NG-12.5'**

| ITEM | PART NO. | DESCRIPTION   | QTY. |
|------|----------|---|------|
| 1    | 224578   | ROLLER CHAIN, #40 X 162P 81L (INCLUDES ITEM 7 CONNECTOR)  | 1    |
| 2    | 172644   | ROLLER CHAIN, #40 X 70P 35L (INCLUDES ITEM 7 CONNECTOR)   | 4    |
| 3    | 224580   | ROLLER CHAIN, #50X86P 53-3/4L (INCLUDES ITEM 6 CONNECTOR) | 1    |
| 4    | 224579   | ROLLER CHAIN, #40 X 164P 82L (INCLUDES ITEM 7 CONNECTOR)  | 1    |
| 5    | 224576   | ROLLER CHAIN, #40 X 60P 30L (INCLUDES ITEM 7 CONNECTOR)   | 1    |
| 6    | 129683   | LINK, CLIP CONN #50 CHAIN                                 | 1    |
| 7    | 119716   | CONNECTING LINK #40 CHAIN                                 | 4    |
| 8    | 222353   | GUARD, FERTILIZER/NG LEFT                                 | 1    |
| 9    | 172509   | NUT, 1/2-13 WIDE FLNG TOP LCK F                           | 3    |

ILLUSTRATED PARTS LIST

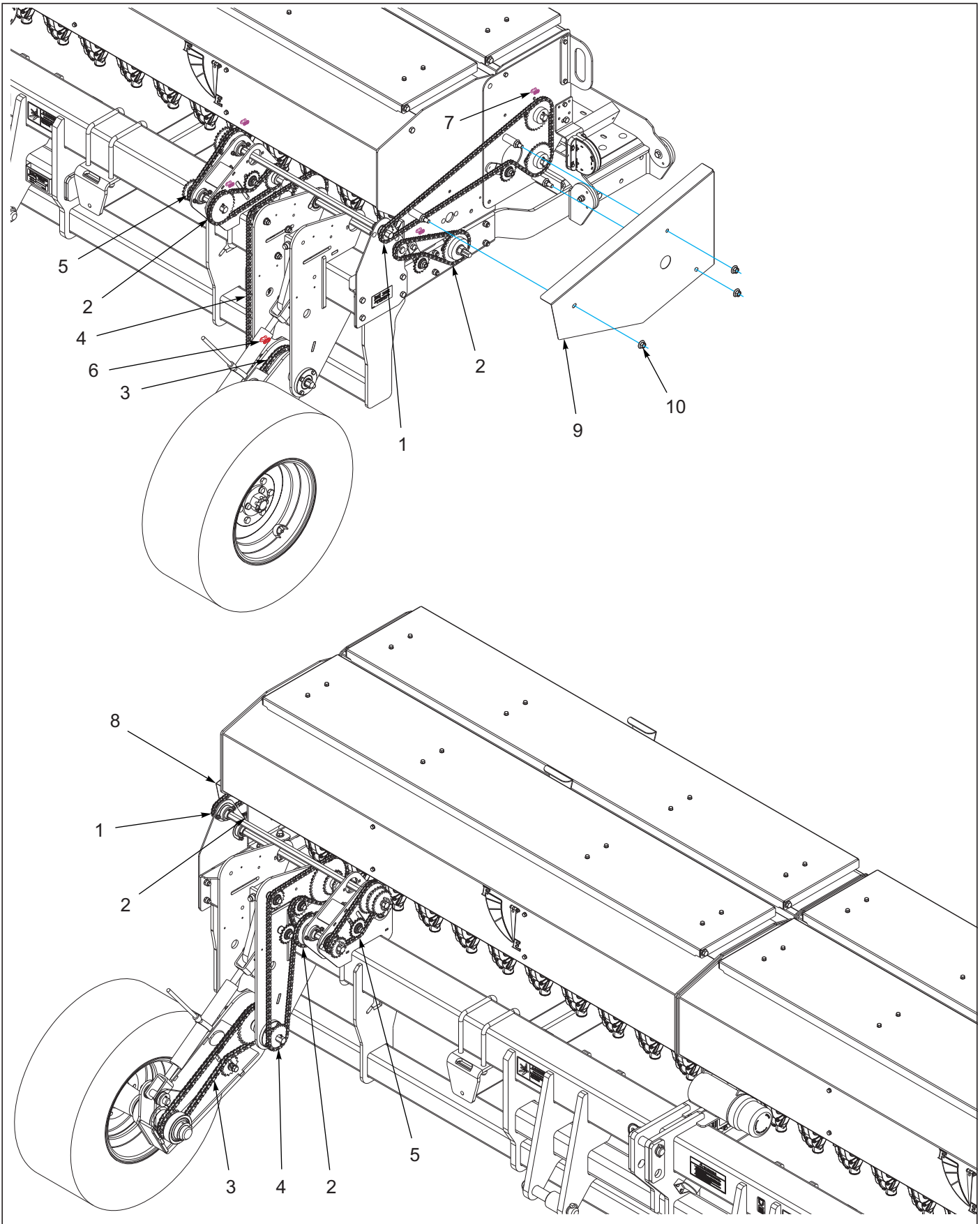


Figure 1-26: Seed and Native Grass Drive Chain Assembly 5110NG-15'

**Seed and Native Grass Drive Chain Assembly 5110NG-15'**

| ITEM | PART NO. | DESCRIPTION   | QTY. |
|------|----------|---|------|
| 1    | 224578   | ROLLER CHAIN, #40 X 162P 81L (INCLUDES ITEM 7 CONNECTOR)  | 2    |
| 2    | 172644   | ROLLER CHAIN, #40 X 70P 35L (INCLUDES ITEM 7 CONNECTOR)   | 4    |
| 3    | 224580   | ROLLER CHAIN, #50X86P 53-3/4L (INCLUDES ITEM 6 CONNECTOR) | 2    |
| 4    | 224579   | ROLLER CHAIN, #40 X 164P 82L (INCLUDES ITEM 7 CONNECTOR)  | 2    |
| 5    | 224576   | ROLLER CHAIN, #40 X 60P 30L (INCLUDES ITEM 7 CONNECTOR)   | 2    |
| 6    | 129683   | LINK, CLIP CONN #50 CHAIN                                 | 2    |
| 7    | 119716   | CONNECTING LINK #40 CHAIN                                 | 8    |
| 8    | 222352   | GUARD, FERTILIZER/NG RIGHT                                | 1    |
| 9    | 222353   | GUARD, FERTILIZER/NG LEFT                                 | 1    |
| 10   | 172509   | NUT, 1/2-13 WIDE FLNG TOP LCK F                           | 6    |

ILLUSTRATED PARTS LIST

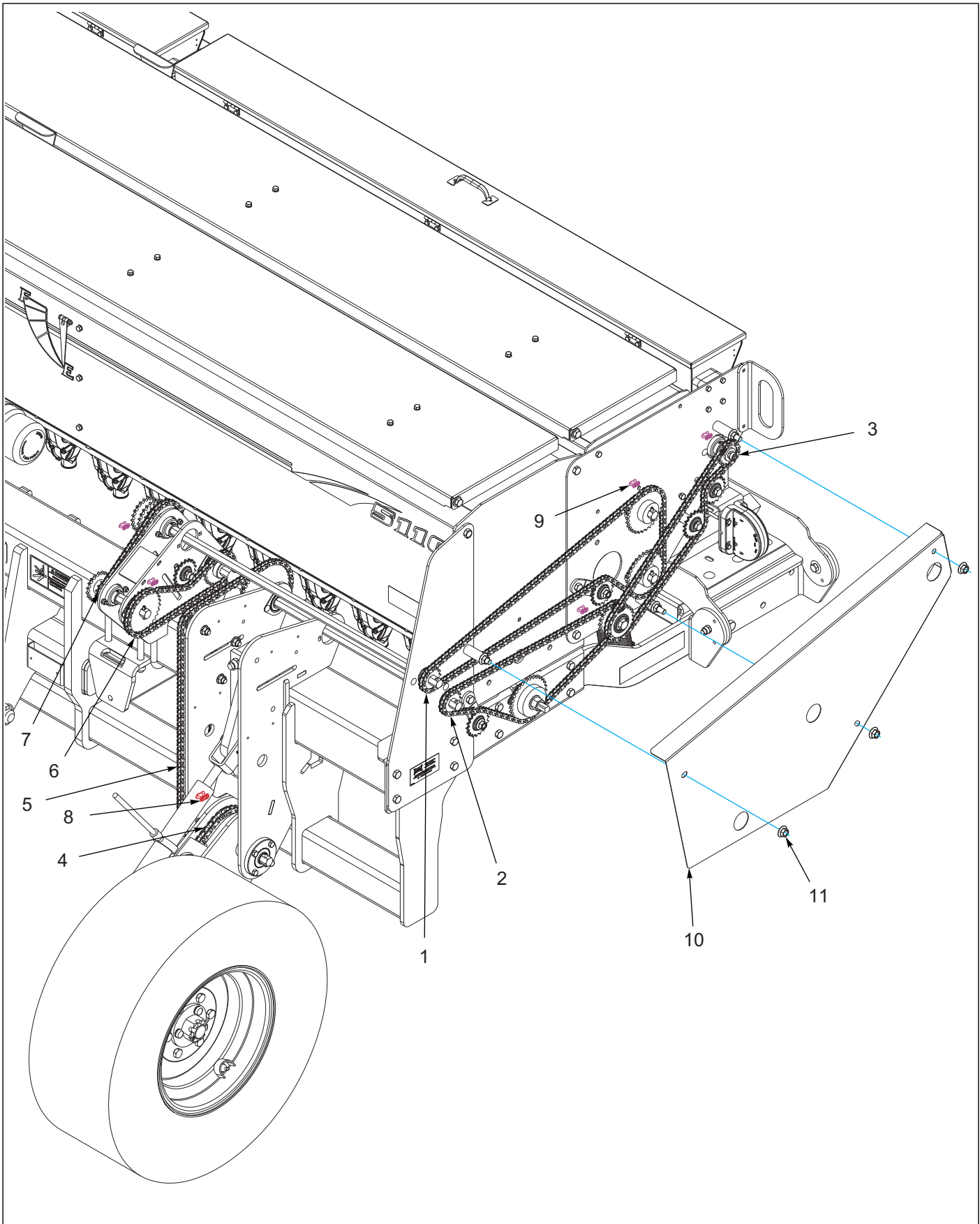


Figure 1-27: Small Seed Drive Chain Assembly 5110NG-12.5'

## Small Seed Drive Chain Assembly 5110NG-12.5'

| ITEM | PART NO. | DESCRIPTION   | QTY. |
|------|----------|---|------|
| 1    | 224578   | ROLLER CHAIN, #40 X 162P 81L (INCLUDES ITEM 9 CONNECTOR)  | 1    |
| 2    | 172649   | ROLLER CHAIN, #40 X 114P 57L (INCLUDES ITEM 9 CONNECTOR)  | 1    |
| 3    | 224577   | ROLLER CHAIN, #40 X 102P 51L (INCLUDES ITEM 9 CONNECTOR)  | 1    |
| 4    | 224580   | ROLLER CHAIN, #50X86P 53-3/4L (INCLUDES ITEM 8 CONNECTOR) | 1    |
| 5    | 224579   | ROLLER CHAIN, #40 X 164P 82L (INCLUDES ITEM 9CONNECTOR)   | 1    |
| 6    | 172644   | ROLLER CHAIN, #40 X 70P 35L (INCLUDES ITEM 9 CONNECTOR)   | 1    |
| 7    | 224576   | ROLLER CHAIN, #40 X 60P 30L (INCLUDES ITEM 9 CONNECTOR)   | 1    |
| 8    | 129683   | LINK, CLIP CONN #50 CHAIN                                 | 1    |
| 9    | 119716   | CONNECTING LINK #40 CHAIN                                 | 6    |
| 10   | 221135   | GUARD, FERTILIZER/NG & SS LT                              | 1    |
| 11   | 172509   | NUT,1/2-13 WIDE FLNG TOP LCK F                            | 3    |



ILLUSTRATED PARTS LIST

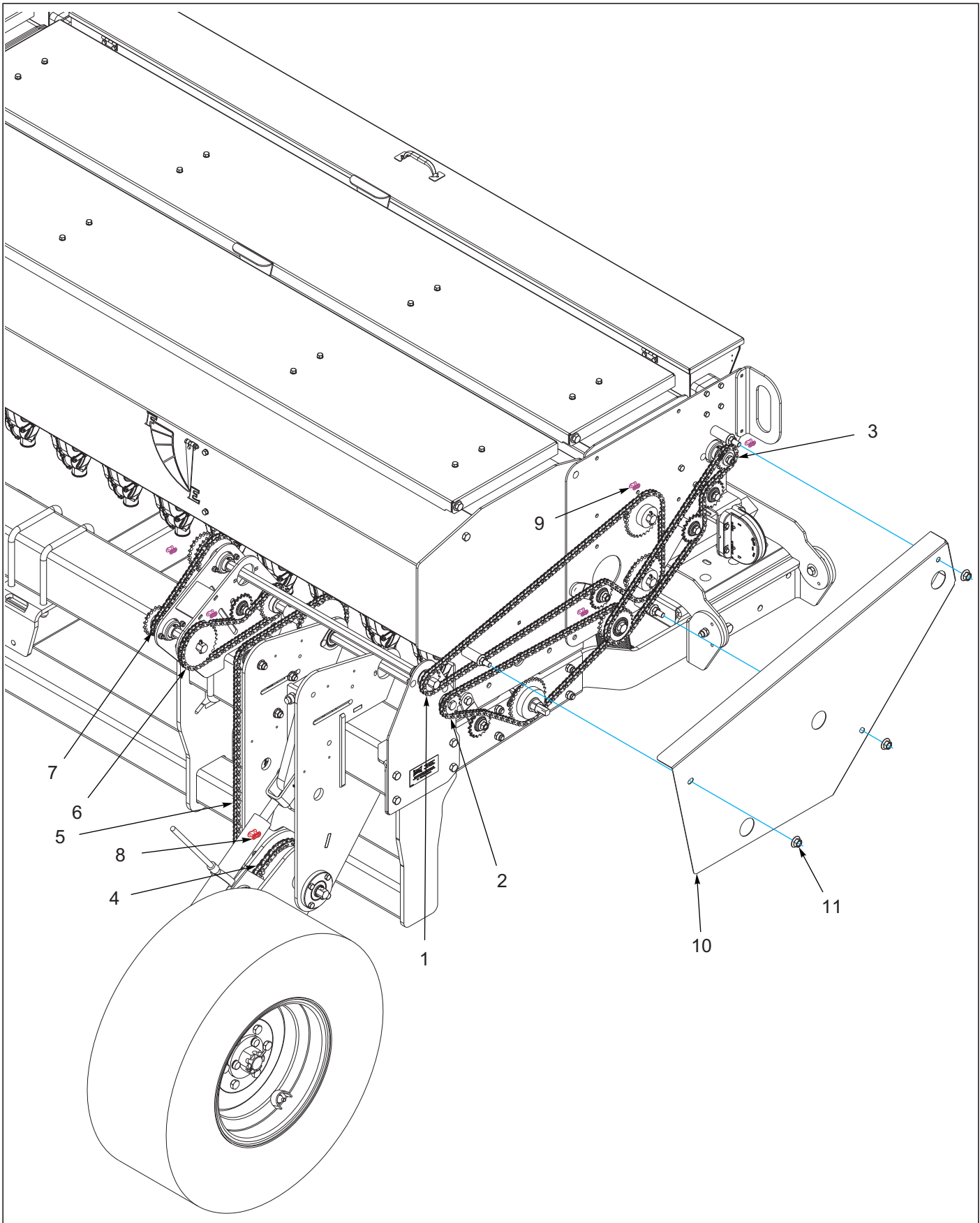


Figure 1-28: Small Seed Drive Chain Assembly 5110NG-15'



## Small Seed Drive Chain Assembly 5110NG-15'

| ITEM | PART NO. | DESCRIPTION  | QTY. |
|------|----------|--|------|
| 1    | 224578   | ROLLER CHAIN, #40 X 162P 81L <b>(INCLUDES ITEM 9 CONNECTOR)</b>  | 2    |
| 2    | 172649   | ROLLER CHAIN, #40 X 114P 57L <b>(INCLUDES ITEM 9 CONNECTOR)</b>  | 2    |
| 3    | 224577   | ROLLER CHAIN, #40 X 102P 51L <b>(INCLUDES ITEM 9 CONNECTOR)</b>  | 2    |
| 4    | 224580   | ROLLER CHAIN, #50X86P 53-3/4L <b>(INCLUDES ITEM 8 CONNECTOR)</b> | 2    |
| 5    | 224579   | ROLLER CHAIN, #40 X 164P 82L <b>(INCLUDES ITEM 9 CONNECTOR)</b>  | 2    |
| 6    | 172644   | ROLLER CHAIN, #40 X 70P 35L <b>(INCLUDES ITEM 9 CONNECTOR)</b>   | 2    |
| 7    | 224576   | ROLLER CHAIN, #40 X 60P 30L <b>(INCLUDES ITEM 9 CONNECTOR)</b>   | 2    |
| 8    | 129683   | LINK, CLIP CONN #50 CHAIN  | 2    |
| 9    | 119716   | CONNECTING LINK #40 CHAIN  | 12   |
| 10   | 221134   | GUARD, FERTILIZER/NG & SS RT                                     | 1    |
| 10   | 221135   | GUARD, FERTILIZER/NG & SS LT <b>(SHOWN)</b>                      | 1    |
| 11   | 172509   | NUT,1/2-13 WIDE FLNG TOP LCK F                                   | 6    |



## Opener Assembly

| ITEM | PART NO.        | DESCRIPTION                                    | QTY. |
|------|-----------------|--|------|
| --   | 220150          | NG OPENER ASSY, SHORT W/SS                     |      |
| --   | 220151          | NG OPENER ASSY, LONG W/SS                      |      |
| 1    | 1-510-010003-09 | NUT,1/2-13 FLANGE HD,SERRATED                  | 3    |
| 2    | 1-512-010005-01 | NUT,HEX,SLFLKG GRB 1/4-20                      | 1    |
| 3    | 1-512-010005-03 | NUT HEX SLFLKG GRB 5/16-18                     | 4    |
| 4    | 1-512-010005-09 | NUT,HEX,SLFLKG, 1/2-13 GRB                     | 1    |
| 5    | 1-557-010362-59 | PIN,COTTER 1/4X1                               | 1    |
| 6    | 1-654-010047-16 | SCREW,HX CP 1/4-20UNCX3.50 G5                  | 1    |
| 7    | 1-654-010055-12 | SCREW,CP,HX .50-13UNCX3.75 GR5                 | 1    |
| 8    | 1-654-010059-16 | SCREW,HEX CAP,5/8-11UNCX5.50                   | 1    |
| 9    | 1-654-010061-05 | SCREW,HHC,3/4-10UNCX2,GR5,ZP                   | 1    |
| 10   | 1-654-010070-02 | SCREW 1/2-13X1-1/4 RD HD SQNK                  | 2    |
| 11   | 1-654-010153-09 | SCREW,HX 1/2-13UNCX3 FL THD                    | 1    |
| 12   | 1-861-010032-20 | WASHER, FLAT,3/4 N ZP/CD                       | 4    |
| 13   | 100827          | NUT,FLG HD,SERRATED,5/8-11                     | 4    |
| 14   | 104031          | SCREW,RDHD,SQNK 5/16-18X1 GR5                  | 4    |
| 15   | 143880          | DISC BLADE ASSY, 15.8" X .138                  | 2    |
| 16   | 143898          | SPRING COMPRESSION 2-1/2" L                    | 1    |
| 17   | 143904          | STRIP, SOIL                                    | 2    |
| 18   | 143910          | SCRAPER,OPENER                                 | 1    |
| 19   | 143937          | BRACKET, SOIL STRIP                            | 1    |
| 20   | 143966          | L-BOLT, 5/8X5-1/2X5-1/2                        | 2    |
| 21   | 143971          | BUSHING, OPENER CLAMP                          | 1    |
| 22   | 144264          | BEARING FLANGE                                 | 2    |
| 23   | 144266          | COVER,OPENER DUST                              | 2    |
| 24   | 144335          | SHIM,STEEL .031X.75 IDX1.125                   | 8    |
| 25   | 144336          | STRIP, SOIL BACKING                            | 2    |
| 26   | 144337          | SCREW CAP 3/4-10X2 GR5 LH                      | 1    |
| 27   | 147072          | PIN, SPRING SLOTTED 5/16 X 2                   | 2    |
| 28   | 151543          | TUBE, SEED                                     | 1    |
| 29   | 211091          | HANDLE, PRESSWHEEL ADJ                         | 1    |
| 30   | 212789          | STOP, PRESSWHEEL ARM                           | 1    |
| 31   | 212793          | MOUNT, OPENER LONG WLDMT                       | 1    |
| 32   | 212799          | PIN, OPENER SPRING                             | 1    |
| 33   | 220164          | ARM, OPENER NATIVE GRASS WLDMT                 | 1    |
| 34   | 29SFFL5811      | NUT,FLANGE HEAD LOCK5/8-11UNC                  | 1    |
| 35   | 8-183-010058    | ASSY FIELD CULT SPRING                         | 1    |
| 36   | 212792          | MOUNT, OPENER SHORT WLDMT                      | 1    |
| 37   | 224676          | SEED TUBE, ASSY, 8-5/8" SPRING (SEE PAGE 1-62) | 12   |
| 37   | 224677          | SEED TUBE, ASSY, 10" SPRING (SEE PAGE 1-62)    | 12   |
| 38   | 144129          | CLAMP, HOSE #24                                | 24   |

ILLUSTRATED PARTS LIST

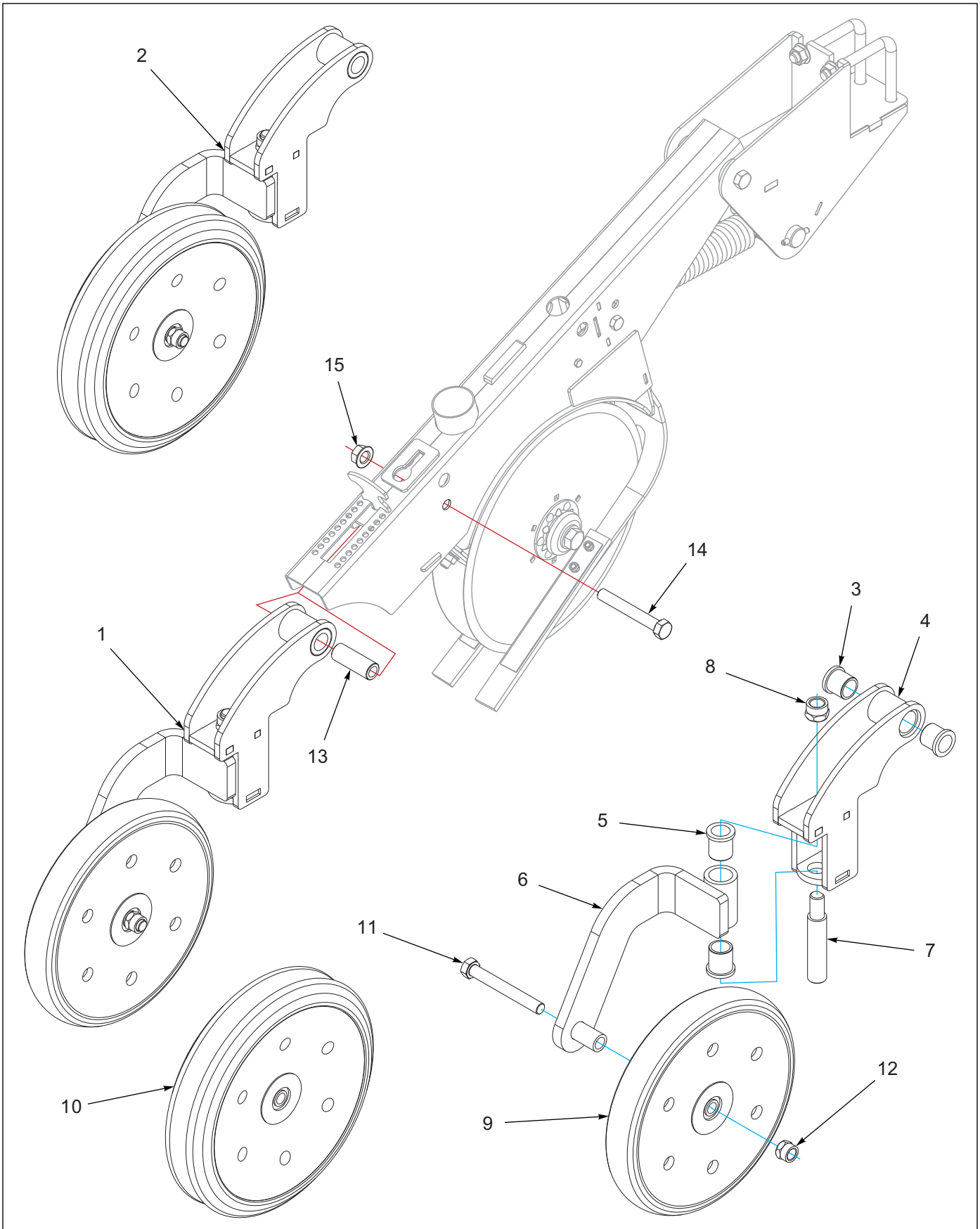


Figure 1-30: Press Wheel Assembly

## Press Wheel Assembly

| ITEM | PART NO.        | DESCRIPTION                                       | QTY. |    |
|------|-----------------|---|------|----|
| 1    | 221193          | ARM, ASSY, 2X13 SM PRESSWHEEL (NOT INCLUDE 13-15) | *    |    |
| 2    | 220152          | ARM ASSY, 3X13 DR PRESSWHEEL (NOT INCLUDE 13-15)  |      | *  |
| 3    | 213956          | BEARING FLANGE, 1 X 1-1/4L                        | 2    | 2  |
| 4    | 220153          | SWIVEL, PRESS WHEEL WLDMT                         | 1    | 1  |
| 5    | 144264          | BEARING FLANGE                                    | 2    | 2  |
| 6    | 220154          | ARM, PRESS WHEEL WLDMT                            | 1    | 1  |
| 7    | 151530          | PIN, PRESSWHEEL ARM                               | 1    | 1  |
| 8    | 1-512-010005-15 | NUT,HEX,SLFLKG GRB 3/4-10                         | 1    | 1  |
| 9    | 144271          | PRESS WHEEL, 2X13 SMOOTH                          | 1    | -- |
| 10   | 144272          | PRESS WHEEL, 3X13 DOUBLE RIB                      | --   | 1  |
| 11   | 1-654-010059-15 | SCREW,HEX CAP,5/8-11UNCX5 GR5                     | 1    | 1  |
| 12   | 1-512-010005-13 | NUT,HEX SLFLKG GRB 5/8-11                         | 1    | 1  |
| 13   | 213921          | BUSHING, PRESS WHEEL ARM                          | 1    | 1  |
| 14   | 1-654-010059-13 | SCREW HEX CAP 5/8-11X4UNC GR5                     | 1    | 1  |
| 15   | 100827          | NUT,FLG HD,SERRATED,5/8-11                        | 1    | 1  |

ILLUSTRATED PARTS LIST

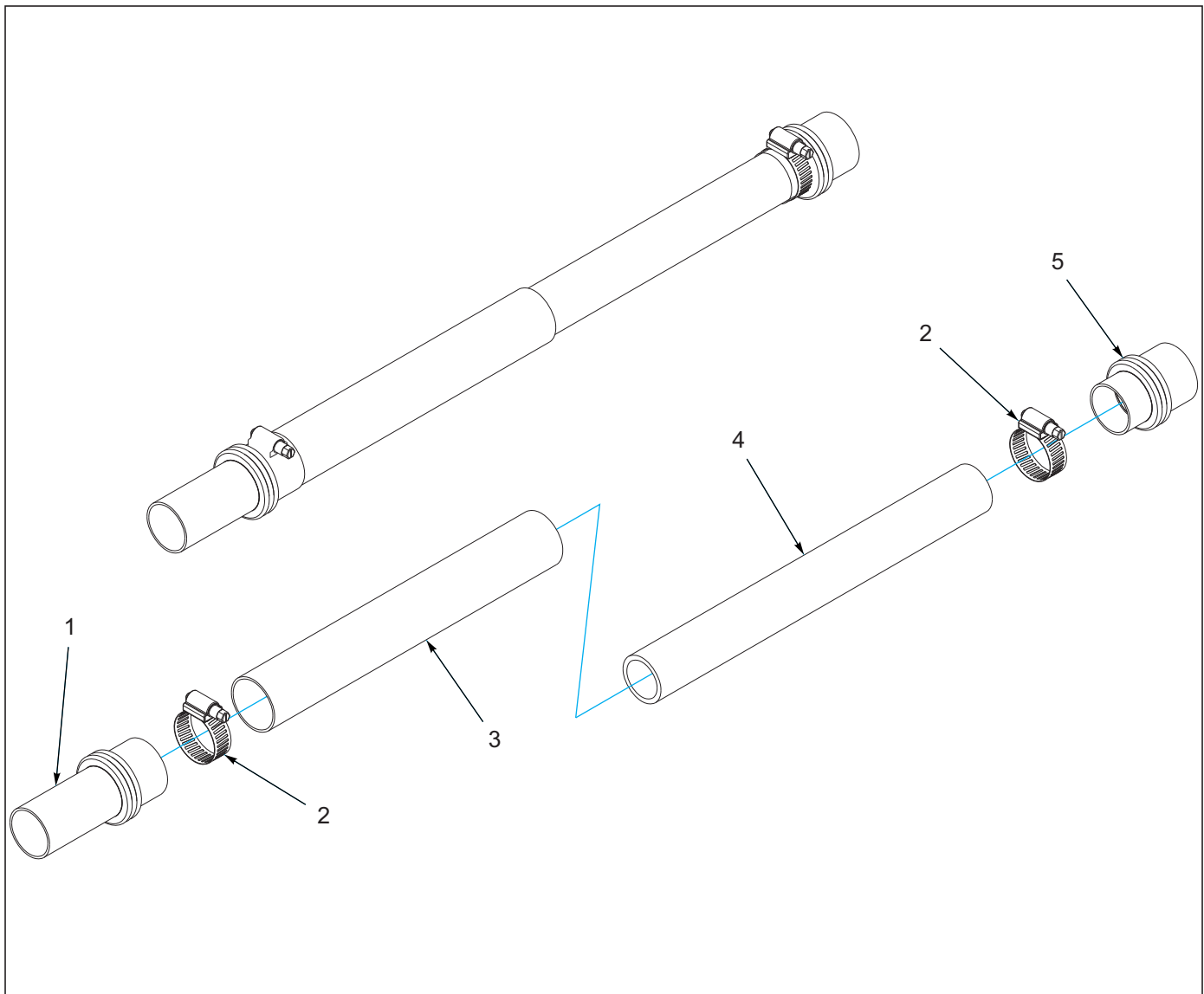


Figure 1-31: Seed Tube Assembly Spring

### Seed Tube Assembly Spring

| ITEM | PART NO. | DESCRIPTION                    | QTY. |    |
|------|----------|--------------------------------|------|----|
| --   | 224676   | SEED TUBE, ASSY, 8-5/8" SPRING | *    |    |
| --   | 224677   | SEED TUBE, ASSY, 10" SPRING    |      | *  |
| 1    | 224674   | HOSE, SEED 4-3/4               | 1    | 1  |
| 2    | 42H20    | CLAMP, HOSE 1-1/4 IN           | 2    | 2  |
| 3    | 224680   | SEED TUBE, OUTER 8-5/8"        | 1    | -- |
| 3    | 183923   | SEED TUBE, OUTER 10"           | --   | 1  |
| 4    | 224679   | SEED TUBE, INNER 9-3/8"        | 1    | -- |
| 4    | 183922   | SEED TUBE, INNER               | --   | 1  |
| 5    | 216435   | HOSE, SEED 2-1/4"              | 1    | 1  |



# Hitch Assemblies (Optional)

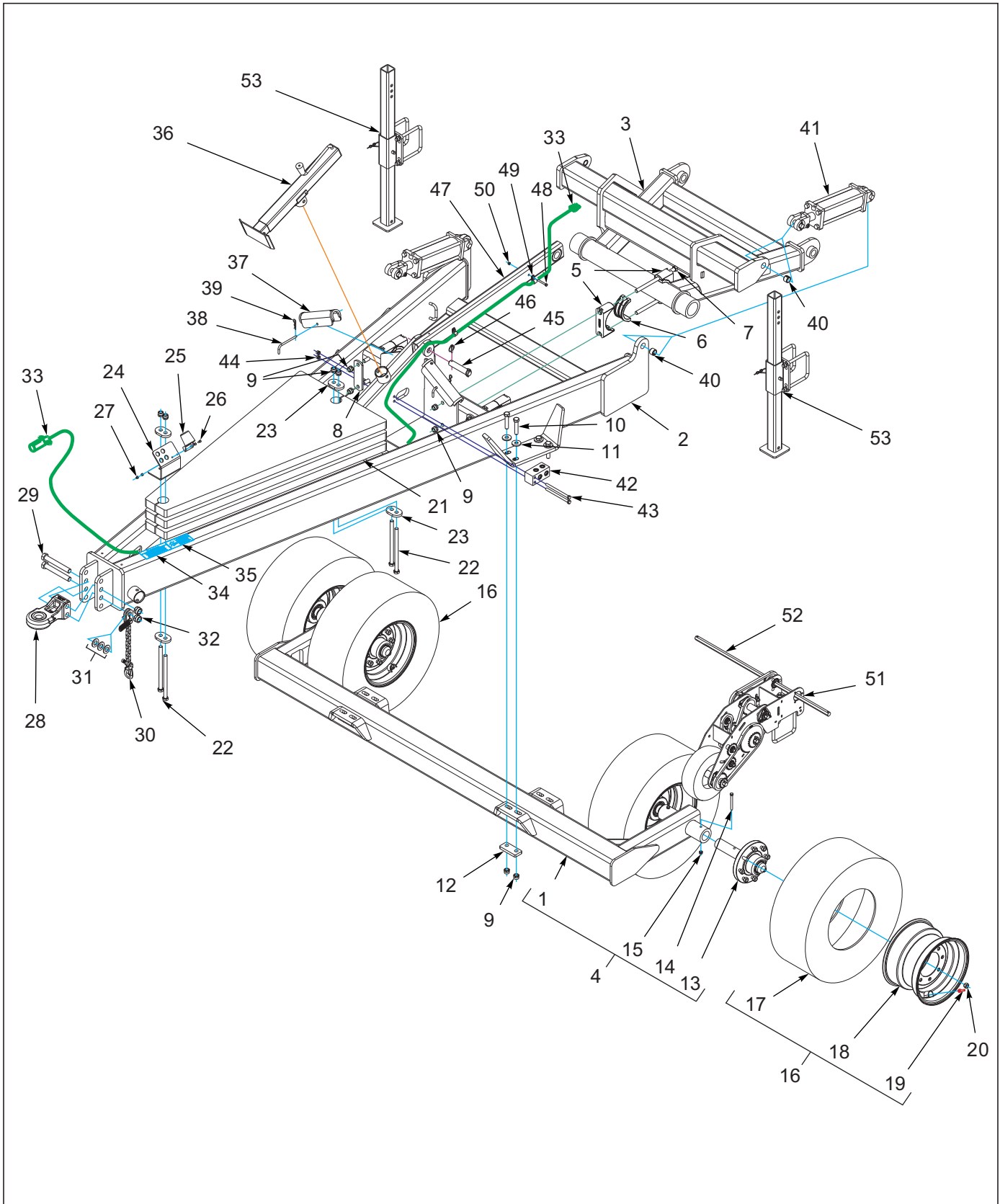


Figure 1-32: Hitch Assembly 5110NC-12-1/2'



## Hitch Assembly 5110NC-12-1/2'

| ITEM | PART NO.        | DESCRIPTION  | QTY. |
|------|-----------------|--|------|
| --   | 224522          | HITCH ASSY, 12-1/2'                                  |      |
| 1    | 224551          | AXLE, PULL HITCH WLDMT                               | 1    |
| 2    | 224549          | HITCH, 10'-12-1/2' WLDMT                             | 1    |
| 3    | 224537          | HITCH, DRAWBAR WLDMT                                 | 1    |
| 4    | 224526          | AXLE, PULL HITCH ASSY (INCLUDES ITEMS 1, 13, 14, 15) | 1    |
| 5    | 188038          | BRG HALF, 4-1/2 INSERT                               | 8    |
| 6    | 2P793           | BRG INSERT, 4 1/2 INSERT                             | 8    |
| 7    | 155345          | SCREW HX CP 3/4-10UNCX12 GR5                         | 8    |
| 8    | 188649          | PLATE, CLAMP-6"                                      | 2    |
| 9    | 1-512-010005-15 | NUT,HEX,SLFLKG GRB 3/4-10                            | 12   |
| 10   | 105408          | SCREW HXCP,3/4-10X3-1/2 GR8                          | 8    |
| 11   | 168750          | WASHER FLAT 3/4                                      | 8    |
| 12   | 224649          | PLATE, CLAMP 2-HOLE                                  | 4    |
| 13   | 147553          | 8 BOLT HUB ASSY, 2-1/4" SPDL (SEE PAGE 1-73)         | 4    |
| 14   | 141809          | SCREW HX CP7/16-14UNC X 4 GR5                        | 4    |
| 15   | 101988          | NUT,HEXSLF-LKG 7/16-14 GRB                           | 4    |
| 16   | 158300          | TIRE & WHEEL ASSY, 280/70R15 (INCLUDES ITEMS 17-19)  | 4    |
| 17   | 204384          | FIRESTONE RADIAL 280/70R15                           | 4    |
| 18   | 140548          | WHEEL, 15 X 10 LB 8 BOLT                             | 4    |
| 19   | TR416           | VALVE STEM TUBELESS TIRE                             | 4    |
| 20   | 102600          | NUT,WHEEL BOLT, 5/8                                  | 32   |
| 21   | 189449          | PLATE, WEIGHT HITCH                                  | 4    |
| 22   | 100809          | SCREW,HEX CAP,3/4-10X11-1/2G5                        | 4    |
| 23   | 176766          | PLATE, WEIGHT LOCK                                   | 4    |
| 24   | 224660          | MOUNT, HOSE HOLDER                                   | 1    |
| 25   | 2-368-010287    | HARNES, STOR-A-WAY                                   | 1    |
| 26   | 1-654-010047-04 | SCREW,HEX CAP,1/4-20X3/4 GR5                         | 2    |
| 27   | 1-512-010005-01 | NUT,HEX,SLFLKG GRB 1/4-20                            | 2    |
| 28   | 177030          | HITCH, BALL CAT III                                  | 1    |
| 29   | 153696          | BOLT, HITCH CLEVIS                                   | 2    |
| 30   | 141434          | SAFETY CHAIN 21,000LB                                | 1    |
| 31   | 1-861-010032-24 | WASHER FL 1IN NARROW ZP                              | 3    |
| 32   | 1-512-010005-19 | NUT 1-8 HEX SLF-LOCKING GRB                          | 2    |
| 33   | 174438          | HARNES, MAIN WARNING LIGHTS                          | 1    |
| 34   | 8-573-010084    | DECAL WARNING BEFORE OPERATG                         | 1    |
| 35   | 224659          | DECAL, UNHITCHING HAZARD                             | 1    |
| 36   | 140647          | JACK, SIDE WIND 7000/8000 LB                         | 1    |
| 37   | 159885          | LOCKOUT, 1-3/4" ROD X 10 WLDMT                       | 2    |
| 38   | 104358          | L PIN,CYL STOP                                       | 2    |
| 39   | 1-557-010403    | HAIRPIN 1/8  | 2    |
| 40   | 192890          | BUSHING 1-3/8ODX1 IDX1 STEEL                         | 4    |
| 41   | 144321          | CYLINDER, 4 X 10 (SEE PAGE 1-76)                     | 2    |
| 42   | 2-474-010022    | MANIFOLD HYDRAULIC, 6 HOSE                           | 1    |
| 43   | 1-654-010055-19 | SCREW,HEX CAP,1/2-13UNCX7 GR5                        | 2    |
| 44   | 1-512-010005-09 | NUT,HEX,SLFLKG, 1/2-13 GRB                           | 2    |
| 45   | 141244          | PIN, FOLD  | 1    |
| 46   | 70239854        | PIN QUICK HITCH                                      | 2    |
| 47   | 224594          | LINK, TOP WLDMT                                      | 1    |
| 48   | 1-654-010049-11 | SCREW,HX CAP,5/16-18UNCX2-1/2                        | 2    |

**Hitch Assembly 5110NC-12-1/2'**

| <b>ITEM</b> | <b>PART NO.</b> | <b>DESCRIPTION</b>                         | <b>QTY.</b> |
|-------------|-----------------|--|-------------|
| 49          | 40-0717-02      | CLAMP, HYD HOSE SUPPORT                    | 2           |
| 50          | 1-512-010005-03 | NUT HEX SLFLKG GRB 5/16-18                 | 2           |
| 51          | 224553          | DRIVE WHEEL ASSY LT <b>(SEE PAGE 1-79)</b> | 1           |
| 52          | 224505          | SHAFT, 7/8 HEX 42 L                        | 1           |
| 53          | 224682          | ASSY, JACK STAND <b>(SEE PAGE 1-67)</b>    | 2           |

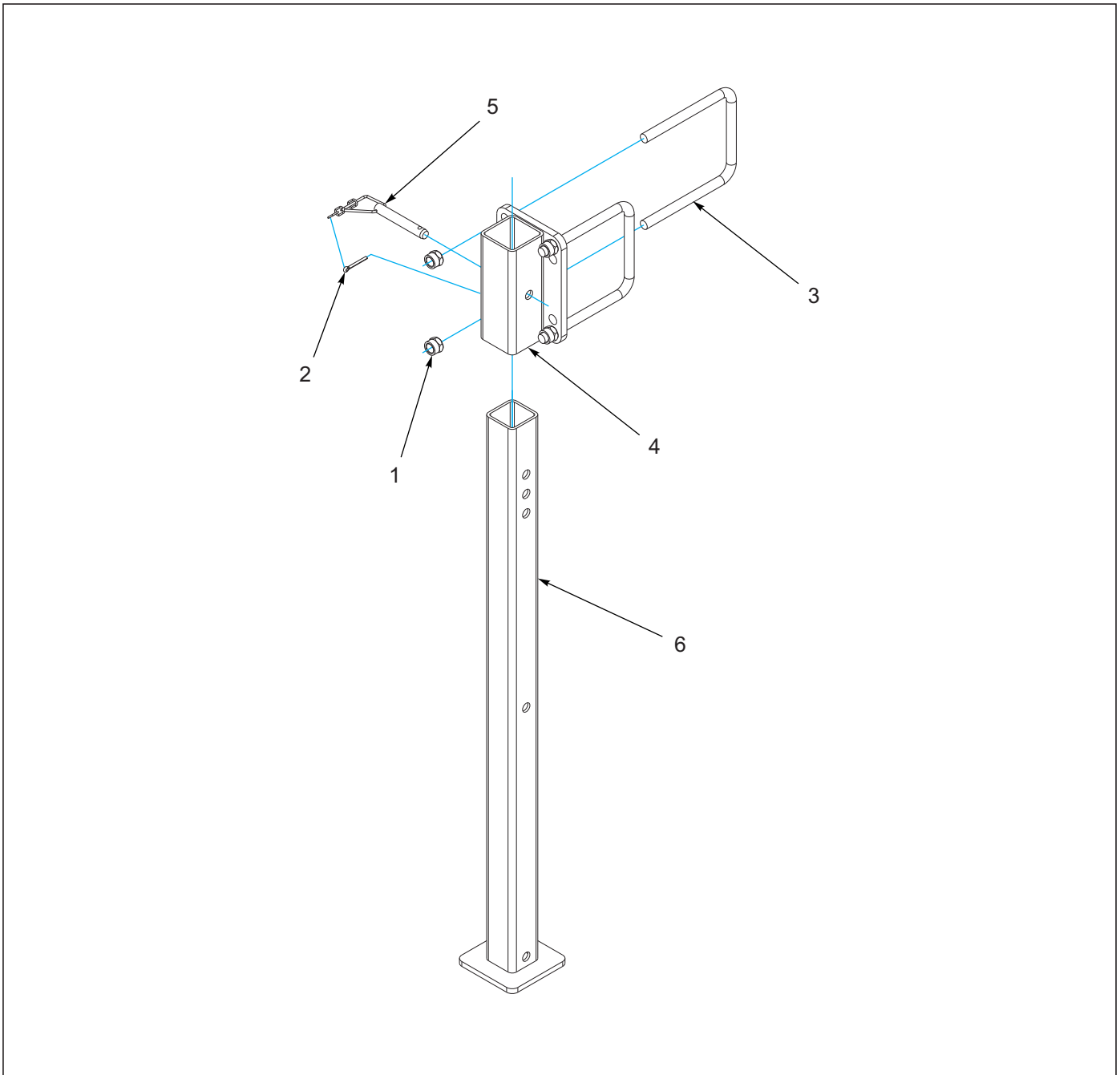


Figure 1-33: Front Jack Assembly 5110NC-12-1/2'

### Front Jack Assembly 5110NC-12-1/2'

| ITEM | PART NO.        | DESCRIPTION                | QTY. |
|------|-----------------|----------------------------|------|
| --   | 224682          | ASSY, JACK STAND           |      |
| 1    | 1-512-010005-13 | NUT,HEX SLFLKG GRB 5/8-11  | 4    |
| 2    | 1-557-010362-51 | PIN, COTTER 3/16X1-1/2     | 1    |
| 3    | 141269          | U-BOLT, WING STABILIZER    | 2    |
| 4    | 143974          | MOUNT WLDMT REAR JACK      | 1    |
| 5    | 2-557-010426    | PIN,DETENT 5/8 DIA W/CHAIN | 1    |
| 6    | 224683          | STAND, JACK WLDMT          | 1    |

ILLUSTRATED PARTS LIST

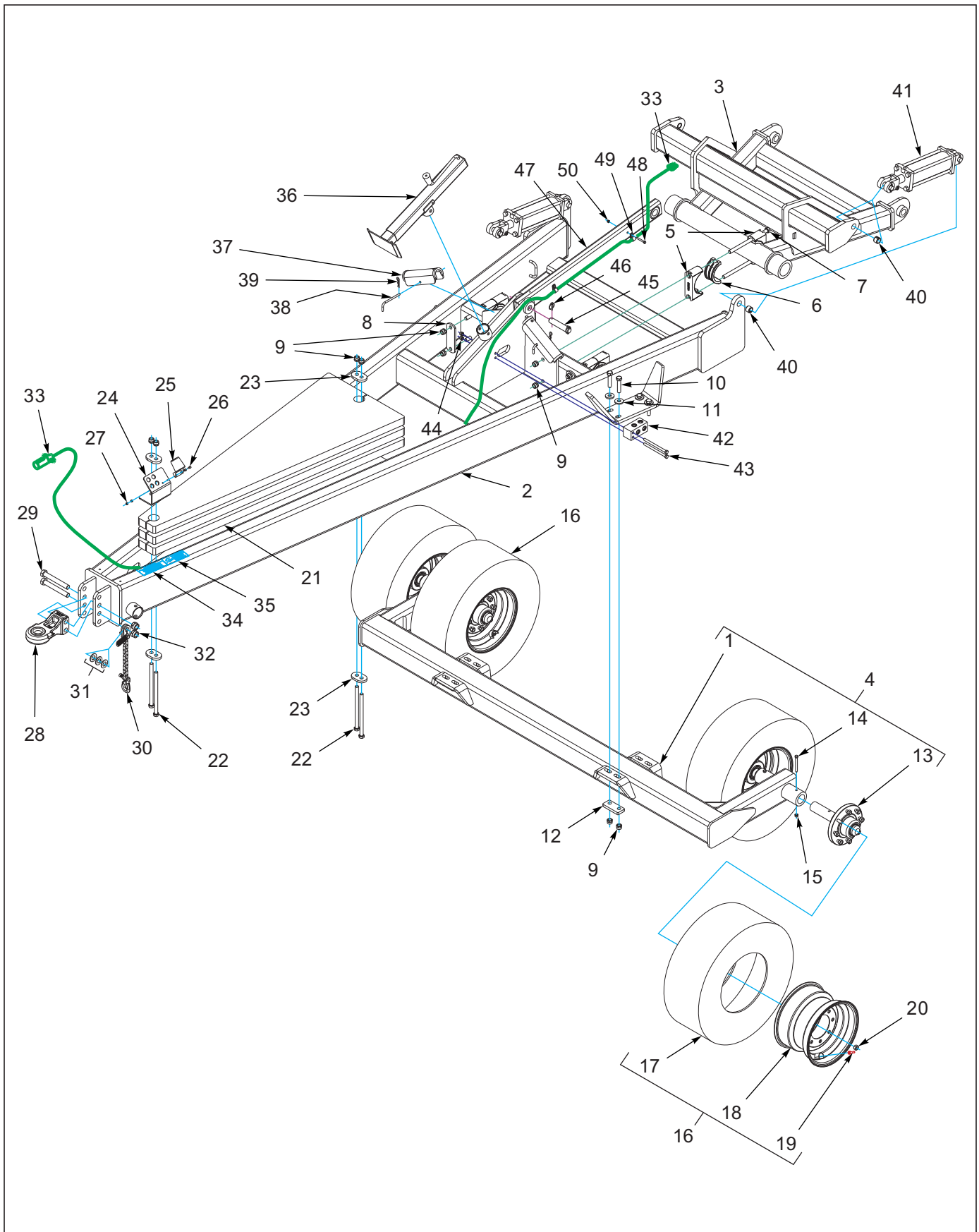


Figure 1-34: Hitch Assembly 5110NC-15'

## Hitch Assembly 5110NC-15'

| ITEM | PART NO.        | DESCRIPTION  | QTY. |
|------|-----------------|--|------|
| --   | 224523          | HITCH ASSY, 15'                                      |      |
| 1    | 224551          | AXLE, PULL HITCH WLDMT                               | 1    |
| 2    | 224550          | HITCH, 15' WLDMT                                     | 1    |
| 3    | 224537          | HITCH, DRAWBAR WLDMT                                 | 1    |
| 4    | 224526          | AXLE, PULL HITCH ASSY (INCLUDES ITEMS 1, 13, 14, 15) | 1    |
| 5    | 188038          | BRG HALF, 4-1/2 INSERT                               | 8    |
| 6    | 2P793           | BRG INSERT, 4 1/2 INSERT                             | 8    |
| 7    | 155345          | SCREW HX CP 3/4-10UNCX12 GR5                         | 8    |
| 8    | 188649          | PLATE, CLAMP-6"                                      | 2    |
| 9    | 1-512-010005-15 | NUT,HEX,SLFLKG GRB 3/4-10                            | 12   |
| 10   | 105408          | SCREW HXCP,3/4-10X3-1/2 GR8                          | 8    |
| 11   | 168750          | WASHER FLAT 3/4                                      | 8    |
| 12   | 224649          | PLATE, CLAMP 2-HOLE                                  | 4    |
| 13   | 147553          | 8 BOLT HUB ASSY, 2-1/4" SPDL (SEE PAGE 1-73)         | 4    |
| 14   | 141809          | SCREW HX CP7/16-14UNC X 4 GR5                        | 4    |
| 15   | 101988          | NUT,HEXSLF-LKG 7/16-14 GRB                           | 4    |
| 16   | 158300          | TIRE & WHEEL ASSY, 280/70R15 (INCLUDES ITEMS 17-19)  | 4    |
| 17   | 204384          | FIRESTONE RADIAL 280/70R15                           | 4    |
| 18   | 140548          | WHEEL, 15 X 10 LB 8 BOLT                             | 4    |
| 19   | TR416           | VALVE STEM TUBELESS TIRE                             | 4    |
| 20   | 102600          | NUT,WHEEL BOLT, 5/8                                  | 32   |
| 21   | 179780          | PLATE, WEIGHT HITCH                                  | 4    |
| 22   | 100809          | SCREW,HEX CAP,3/4-10X11-1/2G5                        | 4    |
| 23   | 176766          | PLATE, WEIGHT LOCK                                   | 4    |
| 24   | 224660          | MOUNT, HOSE HOLDER                                   | 1    |
| 25   | 2-368-010287    | HARNES, STOR-A-WAY                                   | 1    |
| 26   | 1-654-010047-04 | SCREW,HEX CAP,1/4-20X3/4 GR5                         | 2    |
| 27   | 1-512-010005-01 | NUT,HEX,SLFLKG GRB 1/4-20                            | 2    |
| 28   | 177030          | HITCH, BALL CAT III                                  | 1    |
| 29   | 153696          | BOLT, HITCH CLEVIS                                   | 2    |
| 30   | 141434          | SAFETY CHAIN 21,000LB                                | 1    |
| 31   | 1-861-010032-24 | WASHER FL 1IN NARROW ZP                              | 3    |
| 32   | 1-512-010005-19 | NUT 1-8 HEX SLF-LOCKING GRB                          | 2    |
| 33   | 174438          | HARNES, MAIN WARNING LIGHTS                          | 1    |
| 34   | 8-573-010084    | DECAL WARNING BEFORE OPERATG                         | 1    |
| 35   | 224659          | DECAL, UNHITCHING HAZARD                             | 1    |
| 36   | 140647          | JACK, SIDE WIND 7000/8000 LB                         | 1    |
| 37   | 159885          | LOCKOUT, 1-3/4" ROD X 10 WLDMT                       | 2    |
| 38   | 104358          | L PIN,CYL STOP                                       | 2    |
| 39   | 1-557-010403    | HAIRPIN 1/8  | 2    |
| 40   | 192890          | BUSHING 1-3/8ODX1 IDX1 STEEL                         | 4    |
| 41   | 144321          | CYLINDER, 4 X 10 (SEE PAGE 1-76)                     | 2    |
| 42   | 2-474-010022    | MANIFOLD HYDRAULIC, 6 HOSE                           | 1    |
| 43   | 1-654-010055-19 | SCREW,HEX CAP,1/2-13UNCX7 GR5                        | 2    |
| 44   | 1-512-010005-09 | NUT,HEX,SLFLKG, 1/2-13 GRB                           | 2    |
| 45   | 141244          | PIN, FOLD  | 1    |
| 46   | 70239854        | PIN QUICK HITCH                                      | 2    |
| 47   | 224594          | LINK, TOP WLDMT                                      | 1    |
| 48   | 1-654-010049-11 | SCREW,HX CAP,5/16-18UNCX2-1/2                        | 2    |

**Hitch Assembly 5110NC-15'**

---

| <b>ITEM</b> | <b>PART NO.</b> | <b>DESCRIPTION</b>         | <b>QTY.</b> |
|-------------|-----------------|----------------------------|-------------|
| 49          | 40-0717-02      | CLAMP,HYD HOSE SUPPORT     | 2           |
| 50          | 1-512-010005-03 | NUT HEX SLFLKG GRB 5/16-18 | 2           |



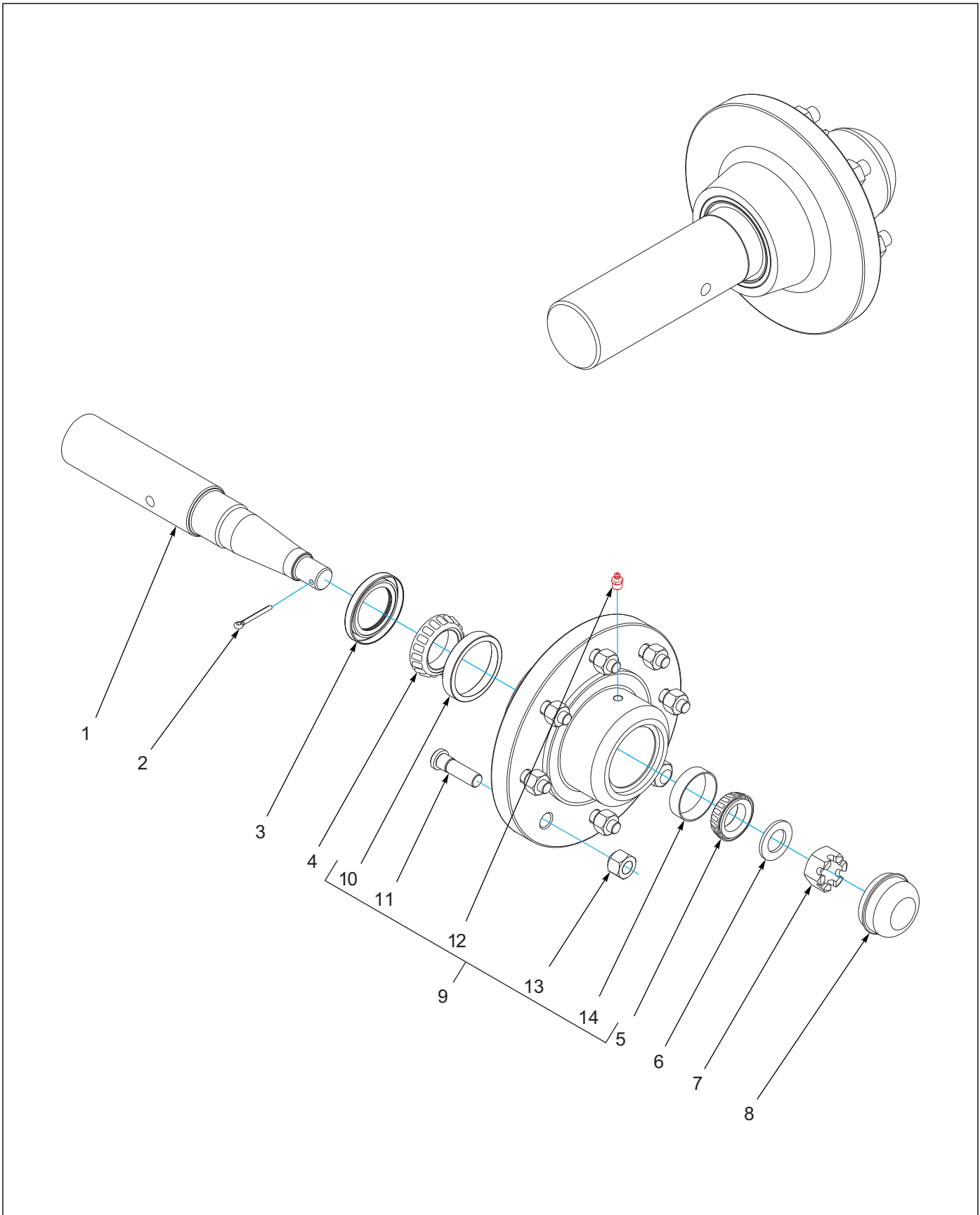


Figure 1-35: Hub and Spindle Assembly, 8-Bolt



## Hub And Spindle Assembly, 8 Bolt

| ITEM | PART NO.        | DESCRIPTION  | QTY. |
|------|-----------------|--|------|
| --   | 147553          | 8 BOLT HUB ASSY, 2-1/4" SPDL                         |      |
| 1    | 141198          | SPINDLE 2-1/4 IN                                     | 1    |
| 2    | 1-557-010362-51 | PIN, COTTER 3/16X1-1/2                               | 1    |
| 3    | 140554          | SEAL GREASE  | 1    |
| 4    | 140595          | CONE BEARING   | 1    |
| 5    | 1-076-010007    | CONE INNER   | 1    |
| 6    | 141238          | WASHER, SPINDLE                                      | 1    |
| 7    | 1-516-010001-20 | NUT, HX SLOT 1-14                                    | 1    |
| 8    | 141236          | DUST CAP, WHEEL HUB                                  | 1    |
| 9    | 140646          | HUB W/CUPS, EIGHT BOLT <b>(INCLUDES ITEMS 10-14)</b> | 1    |
| 10   | 140594          | CUP BEARING  | 1    |
| 11   | 143067          | STUD BOLT 5/8-18                                     | 8    |
| 12   | 5000            | ZERK FITTING 1/8NPT                                  | 1    |
| 13   | 102600          | NUT,WHEEL BOLT, 5/8                                  | 8    |
| 14   | 1-076-010010    | CUP INNER  | 1    |

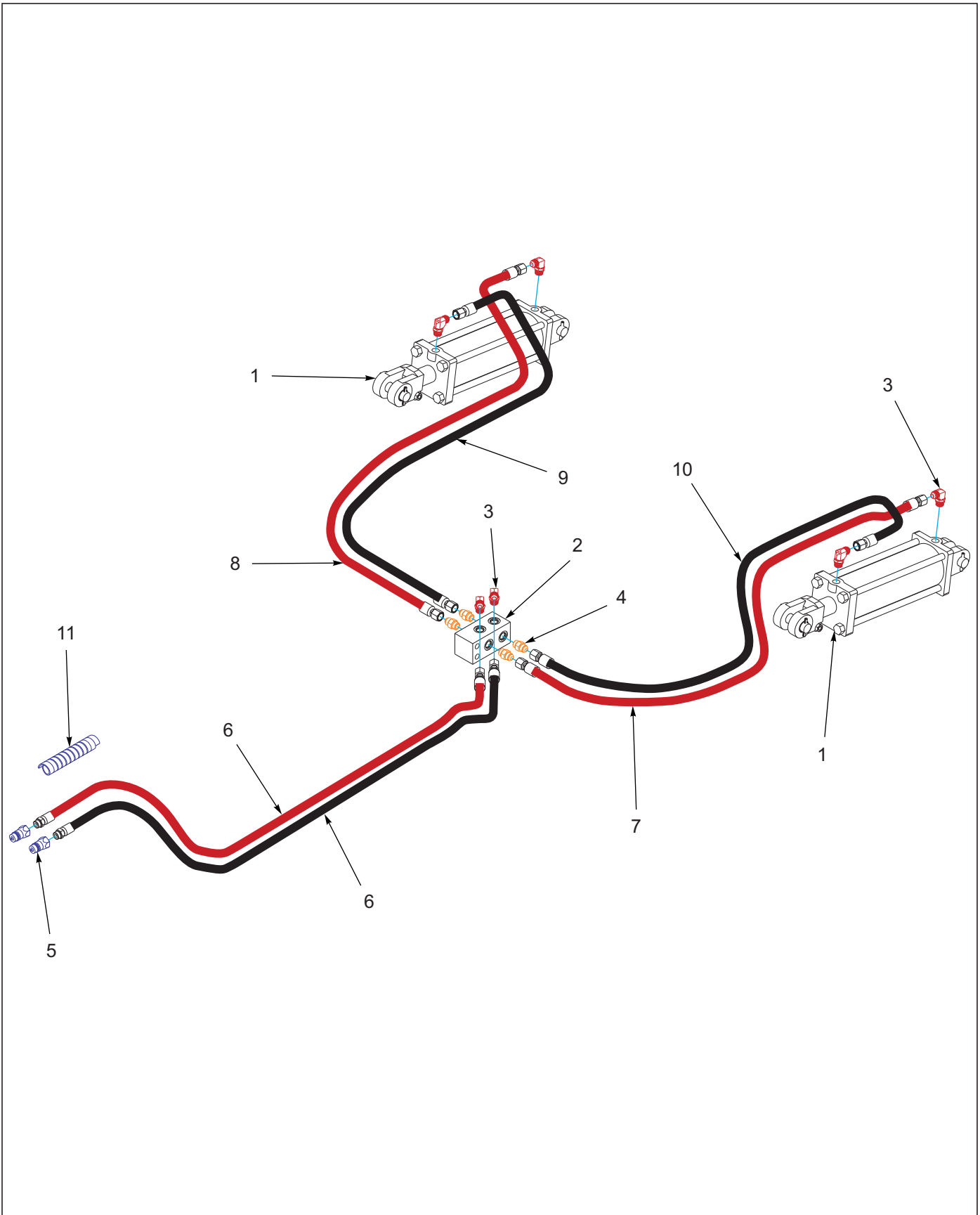


Figure 1-36: Hydraulic Assembly

## HYDRAULIC ASSEMBLY

| ITEM | PART NO.     | DESCRIPTION                                  | QTY. |    |
|------|--------------|--|------|----|
| --   | ----         | 5110-12-1/2' HYDRAULICS                      | *    |    |
| --   | ----         | 5110-15' HYDRAULICS                          |      | *  |
| 1    | 144321       | CYLINDER, 4 X 10 (SEE PAGE 1-76)             | 2    | 2  |
| 2    | 2-474-010022 | MANIFOLD HYDRAULIC, 6 HOSE                   | 1    | 1  |
| 3    | 2062-8-8S    | ADAPTER, 90, #8 O-RING-TUBE                  | 6    | 6  |
| 4    | 202702-8-8S  | ADAPTER #8 O-RING TO #8 TUBE                 | 4    | 4  |
| 5    | 141828       | COUPLER,MALE 3/4-16 O-RING                   | 2    | 2  |
| 6    | 5001150      | HOSE 3/8X161 #8JIC X #8 ORING (5110-12-1/2') | 2    | -- |
| 6    | 141880       | HOSE ASSY 3/8X190 #8JICX#8OR (5110-15')      | --   | 2  |
| 7    | 153843       | HOSE ASSY 3/8X67 #8 JIC SWIV                 | 1    | 1  |
| 8    | 147583       | HOSE ASSY 3/8X72 #8 JIC SWIV                 | 1    | 1  |
| 9    | 209436       | HOSE ASSY, 3/8X76,-8FJX,-8FJX                | 1    | 1  |
| 10   | 122910       | HOSE ASSY 3/8X70,#8 JIC SWVL                 | 1    | 1  |
| 11   | 155528       | HOSE WRAP, BLUE 1" ID X 8"                   |      |    |

ILLUSTRATED PARTS LIST

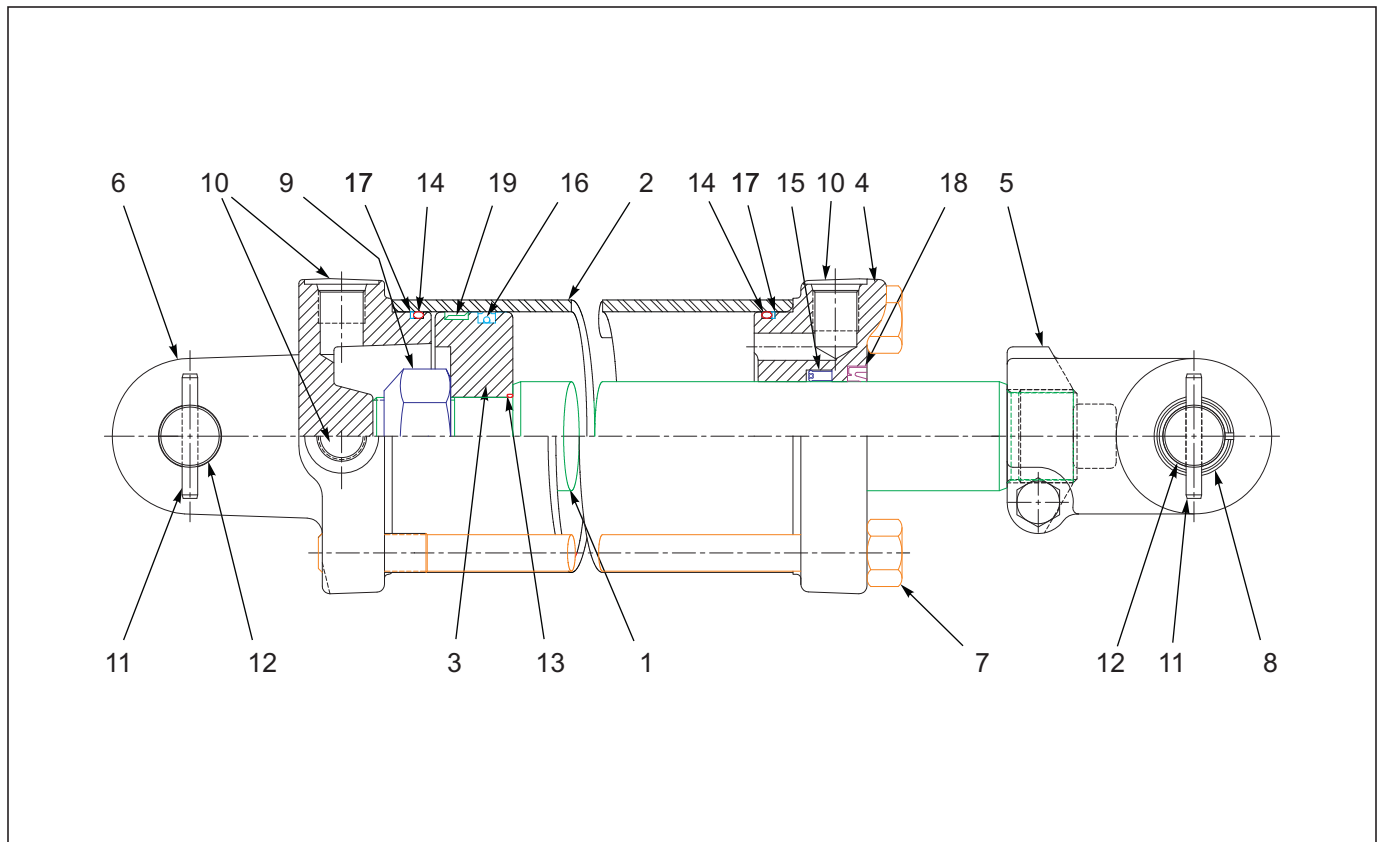


Figure 1-37: 4 x 10 Hydraulic Cylinder

4 X 10 Hydraulic Cylinder

| ITEM | PART NO. | DESCRIPTION                                  | QTY. |
|------|----------|--|------|
| --   | 144321   | CYLINDER 4 X 10                              |      |
| 1    | ----     | PISTON ROD                                   | 1    |
| 2    | ----     | TUBE   | 1    |
| 3    | ----     | PISTON                                       | 1    |
| 4    | 147376   | GLAND  | 1    |
| 5    | 154102   | CLEVIS ASSY                                  | 1    |
| 6    | 147375   | BUTT   | 2    |
| 7    | ----     | TIEROD ASSY                                  | 4    |
| 8    | 113805   | BUSHING                                      | 2    |
| 9    | ----     | LOCKNUT                                      | 1    |
| 10   | ----     | SHIPPING PLUG                                | 3    |
| 11   | 111789   | ROLL PIN                                     | 4    |
| 12   | 143994   | CLEVIS PIN                                   | 2    |
| 13   | ----     | O-RING                                       | 1    |
| 14   | ----     | O-RING                                       | 2    |
| 15   | ----     | U-CUP  | 1    |
| 16   | ----     | CROWN  | 1    |
| 17   | ----     | BU-WASHER                                    | 2    |
| 18   | ----     | WIPER  | 1    |
| 19   | ----     | BEARING RING                                 | 1    |
| 20   | 154104   | PACKING KIT (NOT SHOWN) (INCL ITEMS 13 - 19) |      |





## Drive Wheel Assembly, Pull Hitch 5110NC-12-1/2'

| ITEM | PART NO.        | DESCRIPTION                    | QTY. |
|------|-----------------|--------------------------------|------|
| --   | 224553          | DRIVE WHEEL ASSY LT            |      |
| 1    | 1-511-010001-05 | NUT HEX JAM 1/2-13             | 2    |
| 2    | 1-512-010005-03 | NUT HEX SLFLKG GRB 5/16-18     | 27   |
| 3    | 1-512-010005-13 | NUT,HEX SLFLKG GRB 5/8-11      | 4    |
| 4    | 1-557-010327    | PIN LYNCH 1/4X1-1/4            | 1    |
| 5    | 1-647-010004217 | SPRING PIN, SLOTTED 1/4X1-1/2  | 5    |
| 6    | 1-654-010055-09 | SCREW,HX CP,1/2-13UNCX3 GR5    | 4    |
| 7    | 1-654-010070-09 | SCREW RDHD 1/2-13X3 GR5 SQ NK  | 1    |
| 8    | 104031          | SCREW,RDHD,SQNK 5/16-18X1 GR5  | 27   |
| 9    | 107-0975        | SCREW SET LOCK 5/16-18X3/8LG   | 1    |
| 10   | 116620          | CONTACT DRIVE WHEEL & HUB ASY  | 1    |
| 11   | 116716          | SCREW,HX CP,1/2-13X4 FULL THD  | 2    |
| 12   | 229744          | ROLLER CHAIN, #40 X 68P 34L    | 1    |
| 13   | 119716          | CONNECTING LINK #40 CHAIN      | 3    |
| 14   | 122825          | SPROCKET,TRANS 24T MONOSEM     | 4    |
| 15   | 122847          | BEARING MOUNT, TRIANGULAR      | 18   |
| 16   | 122848          | BEARING,SELF-ALIGN 7/8HEXSHFT  | 9    |
| 17   | 122871          | SPROCKET,TRANSMISSION IDLER    | 5    |
| 18   | 141269          | U-BOLT, WING STABILIZER        | 2    |
| 19   | 144081          | SPROCKET, TRANS 40X12T         | 1    |
| 20   | 144082          | SPROCKET, TRANS 40X22T         | 1    |
| 21   | 144083          | SPROCKET, TRANS 40X43T         | 1    |
| 22   | 144183          | SPACER 1X9/16X1                | 5    |
| 23   | 151588          | SPROCKET, #40 X 15, 7/8 HEX    | 1    |
| 24   | 168739          | BUSHING PIVOT 1-1/2 X 3-7/16   | 1    |
| 25   | 172509          | NUT,1/2-13 WIDE FLNG TOP LCK F | 5    |
| 26   | 2-720-010034    | SPRING ASSY                    | 2    |
| 27   | 224554          | MOUNT, DRIVE WHEEL WLDMT       | 1    |
| 28   | 224555          | ARM, DRIVE WHEEL WLDMT         | 1    |
| 29   | 224569          | SHAFT, 7/8 HEX X 10-5/8        | 3    |
| 30   | 229745          | ROLLER CHAIN, #40 X 82P 41L    | 2    |





## Electrical Assemblies

| 7-PIN CONNECTOR | 4-PIN TOWER | 2-PIN TOWER | CIRCUIT               |
|-----------------|-------------|-------------|-----------------------|
| 1               | D           | A           | GROUND                |
| 2               | –           | –           | WORK LAMPS            |
| 3               | B           | –           | LEFT FLASHING & TURN  |
| 4               | –           | –           | STOP LAMPS            |
| 5               | A           | –           | RIGHT FLASHING & TURN |
| 6               | C           | –           | TAIL LAMPS            |
| 7               | –           | B           | SWITCHED POWER (12 V) |

### MAIN WARNING LIGHT HARNESS - WIRING CHART

|                       | 1           | 2           | 3            | 4           | 5           |
|-----------------------|-------------|-------------|--------------|-------------|-------------|
|                       | 2-PIN TOWER | 3-PIN TOWER | 6-PIN SHROUD | 3-PIN TOWER | 2-PIN TOWER |
| ● BLACK<br>LEFT TURN  |             |             | A            | C           |             |
| ● WHITE<br>GROUND     | A           | A           | B            | A           | A           |
| ● BROWN<br>TAIL LIGHT |             | B           | C            | B           |             |
| ● YELLOW<br>LEFT TURN |             |             | D            |             | B           |
| ● GREEN<br>RIGHT TURN | B           |             | E            |             |             |
| ● RED<br>RIGHT TURN   |             | C           | F            |             |             |

### REAR WARNING LIGHT HARNESS - WIRING CHART

Figure 1-39: Electrical Assembly W/LED Lights (1 of 2)

ILLUSTRATED PARTS LIST

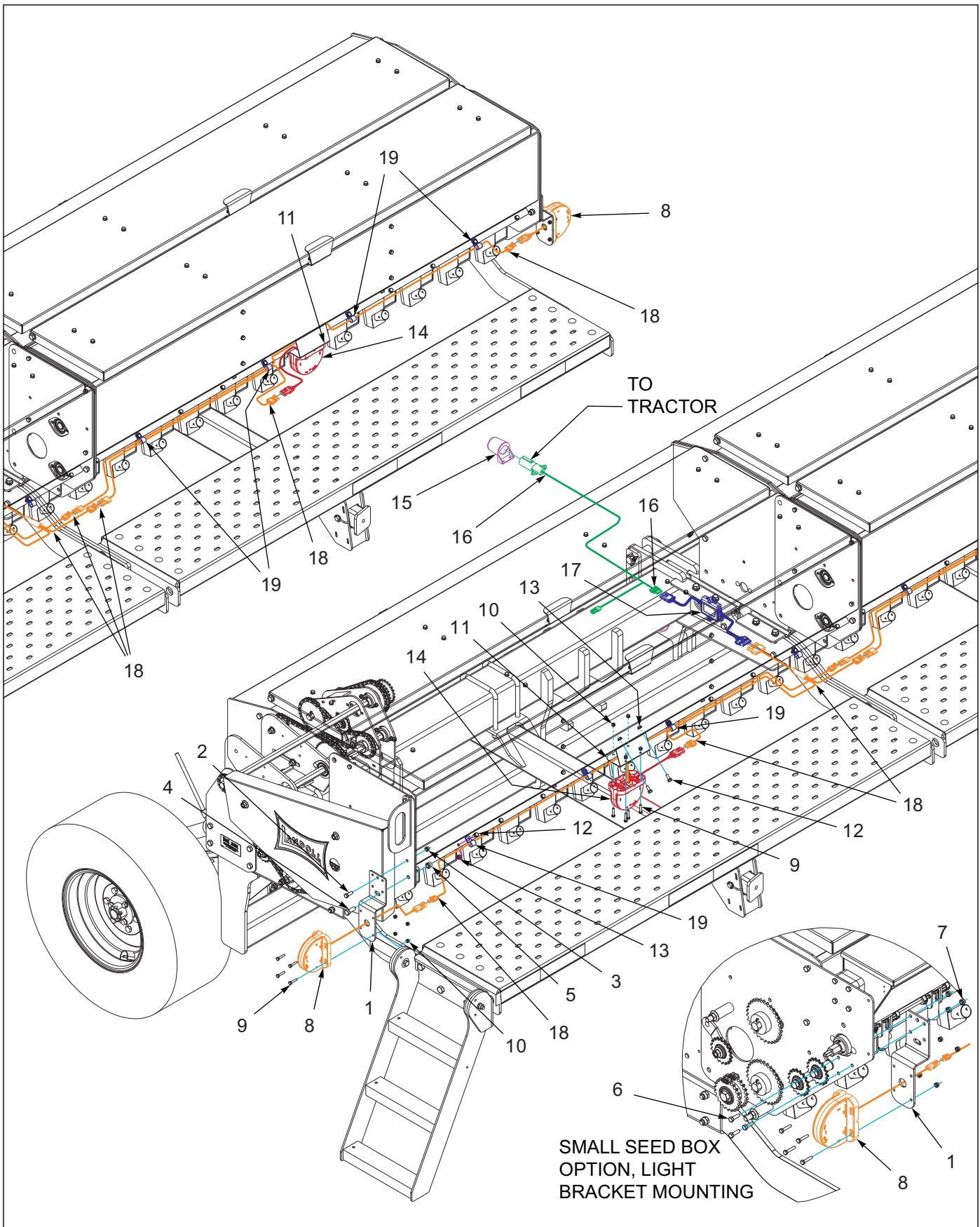


Figure 1-40: Electrical Assembly W/LED Lights (2 of 2)

## Electrical Assembly

| ITEM | PART NO.        | DESCRIPTION                                  | QTY. |
|------|-----------------|--|------|
| 1    | 221161          | BRACKET, LIGHT                               | 2    |
| 2    | 1-654-010051-05 | SCREW,HEX CAP 3/8-16UNCX1 GR5                | 2    |
| 3    | 1-512-010005-05 | NUT, HEX, SLFLKG GRB 3/8-16                  | 2    |
| 4    | 1-654-010055-02 | SCREW 1/2-13UNCX1-1/4 CP GR5                 | 2    |
| 5    | 1-512-010005-09 | NUT,HEX,SLFLKG, 1/2-13 GRB                   | 2    |
| 6    | 1-654-010049-05 | SCREW HX CP 5/16-18UNCX1 GR5                 | 6    |
| 7    | 1-512-010005-03 | NUT HEX SLFLKG GRB 5/16-18                   | 6    |
| 8    | 174436          | LAMP, AG AMBER SINGLE LED                    | 2    |
| 9    | 1-654-010047-07 | SCREW,HX CP 1/4-20UNCX1-1/4G5                | 16   |
| 10   | 1-512-010005-01 | NUT,HEX,SLFLKG GRB 1/4-20                    | 16   |
| 11   | 222359          | BRACKET, STOP LIGHT                          | 2    |
| 12   | 144268          | SCREW 5/16-18UNCX3/4FLG HD ZP                | 14   |
| 13   | 126561          | NUT,FLG HD,SERRATED,5/16-18ZP                | 14   |
| 14   | 174435          | LAMP, AG RED SINGLE LED                      | 2    |
| 15   | 2-368-010287    | HARNESS, STOR-A-WAY                          | 1    |
| 16   | 174443          | HARNESS, REAR WARNING LIGHTS                 | 1    |
| 17   | 174437          | MODULE, AG FLASHER CONTROL                   | 1    |
| 18   | 175151          | HARNESS, LED WARNING LIGHTS (5110NG-12-1/2') | 1    |
| 18   | 174445          | HARNESS, REAR WARNING LIGHTS (5110NG-15')    | 1    |
| 19   | 40-0717-02      | CLAMP,HYD HOSE SUPPORT                       | 10   |

ILLUSTRATED PARTS LIST

Decals

**1**

**2**

**3**

**4**

**5**

**6**

**7**

**8**

**9**

**11**

**12**

**13**

**14**

**15**

**17**

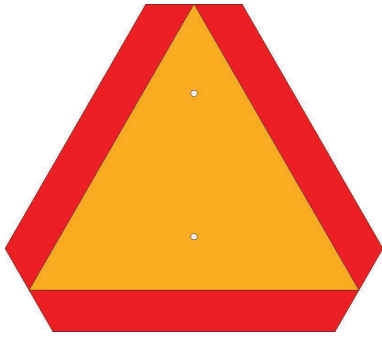
**18**

**19**

**20**

**21**

**Figure 1-41: Decals (1 of 2)**



22



23



24

Figure 1-42: Decals (2 of 2)





## Decals

| ITEM | PART NO.     | DESCRIPTION   | QTY. |
|------|--------------|---|------|
| 1    | 141260       | DECAL, LANDOLL  | 2    |
| 2    | 172715       | PLACARD, METER OPENING                                      | 1    |
| 3    | 161515       | DECAL, STRIPE 1" X 84"                                      | 2    |
| 4    | 151539       | DECAL, STRIPE 1" X 54"                                      | 2    |
| 5    | 205147       | DECAL, SEED LEVEL   | 2    |
| 6    | 216464       | DECAL, DANGER CRUSHING                                      | 2    |
| 7    | 8-573-010084 | DECAL WARNING BEFORE OPERATG                                | 2    |
| 8    | 2-573-010198 | DECAL, MEMBER FEMA  | 1    |
| 9    | 166243       | DECAL, PATENT, TILLAGE                                      | 3    |
| 10   | 1-573-010006 | PLACARD, NAME   | 1    |
| 11   | 156010       | RIVET, BLIND .156X1/2 GRIP                                  | 2    |
| 12   | 221158       | DECAL, MODEL 5110   | 2    |
| 13   | 144351       | DECAL, BLACK BOW-TIE  | 2    |
| 14   | 144193       | DECAL, SIS 20 MPH   | 1    |
| 15   | 222377       | DECAL, SEED RATE 5110                                       | 1    |
| 16   | 222378       | DECAL, SMALL SEED RATE 5110                                 | 1    |
| 17   | 222372       | DECAL, WARNING ROTATING PART                                | 2    |
| 18   | 528934       | REFLECTOR - YELLOW  | 4    |
| 19   | 528933       | REFLECTOR - RED   | 4    |
| 20   | 528938       | STRIPE, ORANGE  | 4    |
| 21   | 205140       | REFLECTOR-YELLOW 1/2X2                                      | 2    |
| 22   | 70260977     | SMV EMBLEM  | 1    |
| 23   | 224589       | DECAL, SIS 20 MILE/H  | 1    |
| 24   | 224659       | DECAL, UNHITCHING HAZARD (USED ON OPTIONAL PULL HITCH ONLY) | 1    |

# Monitor Assemblies

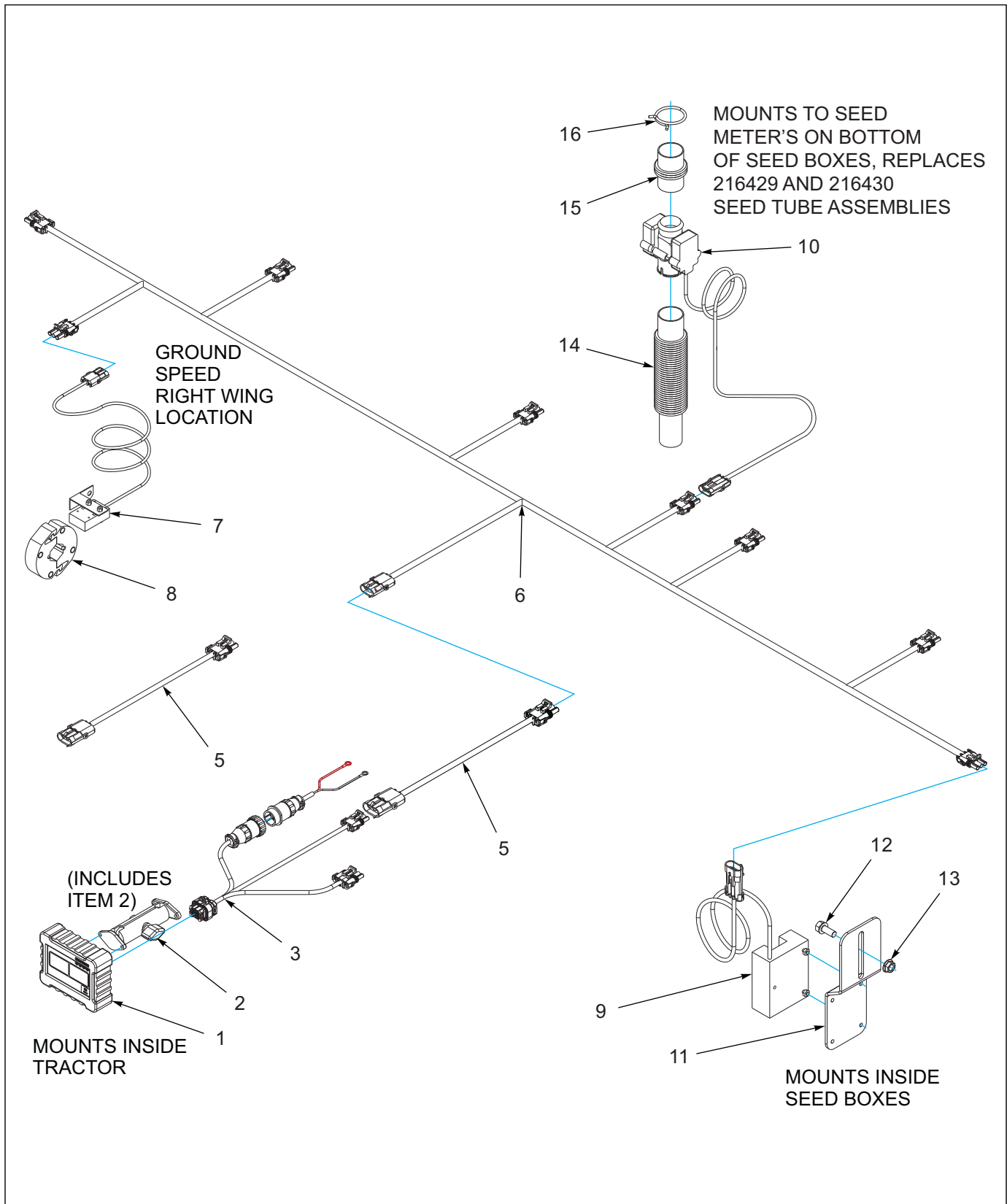


Figure 1-44: Drill Monitor Loup Mini Assembly



## Drill Monitor Loup Mini Assembly

| ITEM | PART NO. | DESCRIPTION                                       | QTY. |    |
|------|----------|---|------|----|
| --   | 222380   | MONITOR MINI ASSY 5110-12.5 (INCLUDES ITEMS 1-10) | *    |    |
| --   | 222381   | MONITOR MINI ASSY 5110-15 (INCLUDES ITEMS 11-16)  |      | *  |
| 1    | 224631   | MONITOR, DRILL ELITE MINI                         | 1    | 1  |
| 2    | 174434   | MOUNT, LOUP II MONITOR                            | 1    | 1  |
| 3    | 224632   | CABLE, MONITOR POWER MINI                         | 1    | 1  |
| 4    | 176657   | HARNESS, DRILL MONITOR 14'                        | 2    | 2  |
| 5    | 176489   | HARNESS, DRILL 5211 15'-20'                       | 1    | 1  |
| 6    | 174419   | SENSOR, SMART SHAFT                               | 1    | 1  |
| 7    | 174420   | ACTUATOR, 7/8 HEX                                 | 1    | 1  |
| 8    | 174399   | SENSOR, BIN LEVEL                                 | 1    | 2  |
| 9    | 174414   | SENSOR, POPULATION                                | 2    | 4  |
| 10   | 222361   | BRACKET, BIN LEVEL SENSOR                         | 2    | 2  |
| 11   | 144268   | SCREW 5/16-18UNCX3/4FLG HD ZP                     | 2    | 2  |
| 12   | 126561   | NUT,FLG HD,SERRATED,5/16-18ZP                     | 2    | 2  |
| 13   | 214804   | HOSE, SEED SPRING OPENER LOWER                    | 24   | 24 |
| 14   | 176566   | HOSE, SEED 2-1/2"                                 | 24   | 24 |
| 15   | 144129   | CLAMP, HOSE #24                                   | 24   | 24 |



---

**Electronic Acre Meter Assembly**

| ITEM | PART NO.        | DESCRIPTION                   | QTY. |
|------|-----------------|-------------------------------|------|
| --   | 218442          | METER ASSY, ELECTRONIC ACRE   |      |
| 1    | 1-512-010003-03 | NUT,HX 8-32,SLF-LKG W/NYL     | 2    |
| 2    | 1-512-010003-06 | NUT,HEX,SLFLKG W/NLY 10-24    | 2    |
| 3    | 1-656-010003053 | SCREW RD HD MACH 10-24X1      | 2    |
| 4    | 126561          | NUT,FLG HD,SERRATED,5/16-18ZP | 1    |
| 5    | 144268          | SCREW 5/16-18UNCX3/4FLG HD ZP | 1    |
| 6    | 153862          | SWITCH ASSY, ELECTRONIC ACRE  | 1    |
| 7    | 153863          | ACTUATOR, ELECTRONIC ACRE     | 1    |
| 8    | 165879          | MOUNT - PICKUP SWITCH         | 1    |
| 9    | 170948          | CONSOLE, ELECTRONIC ACRE      | 1    |
| 10   | 85G820E         | SCREW PAN HD SLT 8-32X1-1/4   | 2    |



**Numerics**

|                    |   |               |  |
|--------------------|---|---------------|--|
| 100809 .....       | 1-65, 1-69  | 122910 .....  | 1-75   |
| 100827 .....       | 1-45, 1-49, 1-59, 1-61  | 123579 .....  | 1-49   |
| 101988 .....       | 1-65, 1-69  | 125720 .....  | 1-15   |
| 102600 .....       | 1-65, 1-69, 1-73  | 125796 .....  | 1-15   |
| 104031 .....       | 1-15, 1-21, 1-25, 1-39, 1-41, 1-59, 1-79                        | 125799 .....  | 1-10   |
| 104358 .....       | 1-65, 1-69  | 126561 .....  | 1-21, 1-23, 1-25, 1-27, 1-31, 1-33, 1-35, 1-37, 1-83, 1-89, 1-91 |
| 104877 .....       | 1-43, 1-47  | 129683 .....  | 1-15, 1-51, 1-53, 1-55, 1-57                                     |
| 105408 .....       | 1-65, 1-69  | 130411 .....  | 1-21, 1-25   |
| 105909 .....       | 1-9, 1-19, 1-31, 1-33, 1-35, 1-37, 1-39, 1-43, 1-45, 1-47, 1-49 | 132554 .....  | 1-43, 1-47   |
| 107-0975 .....     | 1-9, 1-19, 1-23, 1-27, 1-31, 1-33, 1-35, 1-37, 1-39, 1-79       | 139692 .....  | 1-21, 1-25, 1-31, 1-35   |
| 107470 .....       | 1-3, 1-5, 1-7   | 1401756 ..... | 1-21, 1-25, 1-31, 1-35   |
| 1-076-010007 ..... | 1-73  | 140547 .....  | 1-3, 1-7   |
| 1-076-010010 ..... | 1-73  | 140548 .....  | 1-65, 1-69   |
| 108213 .....       | 1-43, 1-47  | 140554 .....  | 1-73   |
| 108417 .....       | 1-43, 1-47  | 140594 .....  | 1-73   |
| 108628 .....       | 1-45, 1-49  | 140595 .....  | 1-73   |
| 1-104-010001 ..... | 1-3, 1-7, 1-13, 1-15  | 140599 .....  | 1-13, 1-15   |
| 110-4336 .....     | 1-39, 1-41  | 140646 .....  | 1-73   |
| 111789 .....       | 1-76  | 140647 .....  | 1-65, 1-69   |
| 113805 .....       | 1-76  | 141198 .....  | 1-73   |
| 116620 .....       | 1-79  | 141236 .....  | 1-73   |
| 116716 .....       | 1-79  | 141238 .....  | 1-73   |
| 119118 .....       | 1-13, 1-15  | 141244 .....  | 1-9, 1-65, 1-69  |
| 119549 .....       | 1-39, 1-41  | 141260 .....  | 1-87   |
| 119716 .....       | 1-15, 1-51, 1-53, 1-55, 1-57, 1-79                              | 141269 .....  | 1-3, 1-5, 1-7, 1-13, 1-15, 1-19, 1-67, 1-79                      |
| 122825 .....       | 1-15, 1-19, 1-79  | 141434 .....  | 1-65, 1-69   |
| 122836 .....       | 1-19, 1-39, 1-41  | 141809 .....  | 1-65, 1-69   |
| 122837 .....       | 1-19  | 141828 .....  | 1-75   |
| 122847 .....       | 1-79  | 141880 .....  | 1-75   |
| 122848 .....       | 1-79  | 142650 .....  | 1-3, 1-7, 1-13, 1-15   |
| 122853 .....       | 1-9, 1-19, 1-31, 1-33   | 143067 .....  | 1-73   |
| 122871 .....       | 1-15, 1-19, 1-39, 1-41, 1-45, 1-49, 1-79                        | 143880 .....  | 1-59   |
|                    |   | 143898 .....  | 1-59   |
|                    |   | 143901 .....  | 1-39, 1-41   |

## TABLE OF CONTENTS

### INDEX

---

|        |   |                 |   |
|--------|---|-----------------|---|
| 143904 | 1-59  | 147583          | 1-75  |
| 143910 | 1-59  | 150076          | 1-39, 1-41  |
| 143937 | 1-59  | 1-510-010001    | 1-21, 1-25, 1-31, 1-35, 1-45  |
| 143966 | 1-59  | 1-510-010003-09 | 1-3, 1-5, 1-7, 1-15, 1-21, 1-25, 1-31, 1-35, 1-39, 1-41, 1-59   |
| 143971 | 1-59  | 1-511-010001-05 | 1-79  |
| 143974 | 1-67  | 1-512-010003-03 | 1-91  |
| 143994 | 1-76  | 1-512-010003-05 | 1-43, 1-47  |
| 144060 | 1-9, 1-15, 1-19, 1-31, 1-33, 1-35, 1-37, 1-39, 1-43, 1-45, 1-47, 1-49 | 1-512-010003-06 | 1-91  |
| 144081 | 1-79  | 1-512-010005-01 | 1-9, 1-19, 1-21, 1-23, 1-25, 1-31, 1-33, 1-39, 1-41, 1-45, 1-49, 1-59, 1-65, 1-69, 1-83                   |
| 144082 | 1-15, 1-19, 1-79  | 1-512-010005-03 | 1-9, 1-15, 1-19, 1-31, 1-33, 1-35, 1-37, 1-39, 1-41, 1-43, 1-45, 1-47, 1-49, 1-59, 1-66, 1-70, 1-79, 1-83 |
| 144083 | 1-15, 1-79  | 1-512-010005-05 | 1-13, 1-15, 1-39, 1-41, 1-45, 1-49, 1-83  |
| 144086 | 1-19  | 1-512-010005-09 | 1-3, 1-5, 1-7, 1-9, 1-10, 1-19, 1-21, 1-25, 1-39, 1-41, 1-43, 1-45, 1-47, 1-49, 1-59, 1-65, 1-69, 1-83    |
| 144087 | 1-19  | 1-512-010005-13 | 1-3, 1-5, 1-7, 1-13, 1-15, 1-19, 1-61, 1-67, 1-79   |
| 144129 | 1-59, 1-89  | 1-512-010005-15 | 1-61, 1-65, 1-69  |
| 144141 | 1-21, 1-25, 1-31, 1-35  | 1-512-010005-19 | 1-65, 1-69  |
| 144144 | 1-23, 1-27  | 1-512-010007-03 | 1-43, 1-47  |
| 144147 | 1-39, 1-41  | 1-512-010007-09 | 1-43, 1-45, 1-47, 1-49  |
| 144182 | 1-9   | 1-512-010007-12 | 1-39, 1-41  |
| 144183 | 1-15, 1-79  | 151512          | 1-3, 1-5, 1-7   |
| 144193 | 1-87  | 151513          | 1-3, 1-5, 1-7   |
| 144251 | 1-13, 1-15  | 151530          | 1-61  |
| 144252 | 1-13, 1-15  | 151539          | 1-87  |
| 144264 | 1-59, 1-61  | 151540          | 1-39, 1-41, 1-45, 1-49  |
| 144266 | 1-59  | 151543          | 1-59  |
| 144268 | 1-21, 1-23, 1-25, 1-27, 1-31, 1-33, 1-35, 1-37, 1-83, 1-89, 1-91      | 151587          | 1-15  |
| 144271 | 1-61  | 151588          | 1-9, 1-19, 1-39, 1-43, 1-45, 1-47, 1-49, 1-79   |
| 144272 | 1-61  | 1-516-010001-20 | 1-73  |
| 144321 | 1-65, 1-69, 1-75, 1-76  | 153696          | 1-65, 1-69  |
| 144335 | 1-59  | 153817          | 1-15  |
| 144336 | 1-59  | 153843          | 1-75  |
| 144337 | 1-59  | 153857          | 1-9   |
| 144351 | 1-87  | 153862          | 1-91  |
| 147072 | 1-59  |                 |   |
| 147375 | 1-76  |                 |   |
| 147376 | 1-76  |                 |   |
| 147553 | 1-65, 1-69, 1-73  |                 |   |

|                 |                                    |                 |   |
|-----------------|------------------------------------|-----------------|---|
| 153863          | 1-91                               | 1-654-010047-08 | 1-21, 1-23, 1-25                              |
| 154102          | 1-76                               | 1-654-010047-10 | 1-9, 1-19, 1-31, 1-33                         |
| 154104          | 1-76                               | 1-654-010047-16 | 1-59  |
| 154845          | 1-10                               | 1-654-010049-05 | 1-83  |
| 154846          | 1-10                               | 1-654-010049-11 | 1-65, 1-69                                    |
| 154849          | 1-3, 1-5, 1-7, 1-10                | 1-654-010049-15 | 1-45  |
| 155345          | 1-65, 1-69                         | 1-654-010051-05 | 1-39, 1-41, 1-45, 1-49, 1-83                  |
| 155528          | 1-75                               | 1-654-010051-06 | 1-45  |
| 1-557-010327    | 1-9, 1-19, 1-79                    | 1-654-010051-07 | 1-13, 1-15                                    |
| 1-557-010362-51 | 1-67, 1-73                         | 1-654-010051-14 | 1-15  |
| 1-557-010362-54 | 1-13, 1-15                         | 1-654-010055-01 | 1-21, 1-25                                    |
| 1-557-010362-59 | 1-59                               | 1-654-010055-02 | 1-9, 1-13, 1-15, 1-39, 1-41, 1-45, 1-49, 1-83 |
| 1-557-010403    | 1-65, 1-69                         | 1-654-010055-03 | 1-3, 1-5, 1-7, 1-45, 1-49                     |
| 155871          | 1-43, 1-47                         | 1-654-010055-04 | 1-21, 1-25, 1-31, 1-35                        |
| 155873          | 1-43, 1-47                         | 1-654-010055-05 | 1-10  |
| 155874          | 1-43, 1-47                         | 1-654-010055-09 | 1-15, 1-79                                    |
| 156010          | 1-87                               | 1-654-010055-11 | 1-45, 1-49                                    |
| 1-573-010006    | 1-87                               | 1-654-010055-12 | 1-39, 1-41, 1-45, 1-49, 1-59                  |
| 158151          | 1-15                               | 1-654-010055-19 | 1-65, 1-69                                    |
| 158152          | 1-13, 1-15                         | 1-654-010059-07 | 1-3, 1-5, 1-7                                 |
| 158168          | 1-15                               | 1-654-010059-09 | 1-3, 1-5, 1-7, 1-45, 1-49                     |
| 158278          | 1-15, 1-19                         | 1-654-010059-13 | 1-61  |
| 158300          | 1-65, 1-69                         | 1-654-010059-14 | 1-7   |
| 158305          | 1-19, 1-33, 1-37                   | 1-654-010059-15 | 1-61  |
| 159041          | 1-43, 1-47                         | 1-654-010059-16 | 1-59  |
| 159885          | 1-65, 1-69                         | 1-654-010061-05 | 1-59  |
| 161474          | 1-21, 1-25, 1-31, 1-35             | 1-654-010070-02 | 1-3, 1-5, 1-7, 1-59                           |
| 161475          | 1-21, 1-25, 1-31, 1-35             | 1-654-010070-03 | 1-39, 1-41, 1-45, 1-49                        |
| 161515          | 1-87                               | 1-654-010070-09 | 1-79  |
| 162551          | 1-21, 1-25                         | 1-654-010101-2  | 1-43, 1-47                                    |
| 164194          | 1-13, 1-15                         | 1-654-010153-09 | 1-59  |
| 164310          | 1-9                                | 1-654-010158-02 | 1-45, 1-49                                    |
| 164311          | 1-9                                | 1-655-010001-3  | 1-39, 1-41                                    |
| 1-647-010004217 | 1-13, 1-15, 1-19, 1-39, 1-41, 1-79 | 1-655-010003-05 | 1-21, 1-25, 1-31, 1-35                        |
| 1-647-010004257 | 1-13, 1-15                         | 1-656-010003053 | 1-91  |
| 1-654-010047-04 | 1-49, 1-65, 1-69                   | 165879          | 1-91  |
| 1-654-010047-06 | 1-39, 1-41, 1-45                   | 166243          | 1-87  |
| 1-654-010047-07 | 1-9, 1-83                          |                 |   |

## TABLE OF CONTENTS

### INDEX

---

|        |  |                 |  |
|--------|--|-----------------|--|
| 166710 | 1-39, 1-41, 1-45, 1-49                               | 176566          | 1-89                                     |
| 168739 | 1-79   | 176657          | 1-89                                     |
| 168750 | 1-65, 1-69   | 176766          | 1-65, 1-69                               |
| 168841 | 1-13, 1-15   | 177030          | 1-65, 1-69                               |
| 168866 | 1-28   | 179780          | 1-69                                     |
| 168867 | 1-28   | 183922          | 1-62                                     |
| 168868 | 1-23, 1-27   | 183923          | 1-62                                     |
| 168869 | 1-23, 1-27   | 1-861-010032-07 | 1-21, 1-25                               |
| 168870 | 1-23, 1-27   | 1-861-010032-14 | 1-15, 1-21, 1-25, 1-31, 1-35, 1-45, 1-49 |
| 168871 | 1-28   | 1-861-010032-15 | 1-10                                     |
| 168872 | 1-28   | 1-861-010032-19 | 1-3, 1-5, 1-7                            |
| 168873 | 1-28   | 1-861-010032-20 | 1-59                                     |
| 169690 | 1-7  | 1-861-010032-24 | 1-13, 1-15, 1-65, 1-69                   |
| 170948 | 1-91   | 1-861-010034-07 | 1-43, 1-47                               |
| 172509 | 1-39, 1-41, 1-45, 1-49, 1-51, 1-53, 1-55, 1-57, 1-79 | 1-861-010034-13 | 1-13, 1-15                               |
| 172644 | 1-51, 1-53, 1-55, 1-57                               | 188038          | 1-65, 1-69                               |
| 172649 | 1-55, 1-57   | 188649          | 1-65, 1-69                               |
| 172656 | 1-43, 1-47   | 189449          | 1-65                                     |
| 172700 | 1-23, 1-27, 1-39, 1-41                               | 192890          | 1-65, 1-69                               |
| 172703 | 1-21, 1-25   | 1C213           | 1-43, 1-47                               |
| 172706 | 1-23, 1-27, 1-28                                     | 202702-8-8S     | 1-75                                     |
| 172715 | 1-23, 1-27, 1-43, 1-47, 1-87                         | 203014          | 1-21, 1-25                               |
| 172730 | 1-28   | 204384          | 1-3, 1-7, 1-65, 1-69                     |
| 174398 | 1-23, 1-27   | 205140          | 1-87                                     |
| 174399 | 1-89   | 205147          | 1-21, 1-25, 1-87                         |
| 174414 | 1-89   | 205240          | 1-21, 1-25, 1-31, 1-35                   |
| 174419 | 1-89   | 2062-8-8S       | 1-75                                     |
| 174420 | 1-89   | 207494          | 1-21, 1-25                               |
| 174434 | 1-89   | 207496          | 1-21, 1-25                               |
| 174435 | 1-83   | 207497          | 1-21, 1-25                               |
| 174436 | 1-83   | 207498          | 1-21, 1-25                               |
| 174437 | 1-9, 1-83  | 207499          | 1-21, 1-25                               |
| 174438 | 1-65, 1-69   | 209436          | 1-75                                     |
| 174443 | 1-83   | 2-095-010017    | 1-3, 1-5, 1-7                            |
| 174445 | 1-83   | 211091          | 1-59                                     |
| 175151 | 1-83   | 212789          | 1-59                                     |
| 176489 | 1-89   | 212790          | 1-43, 1-45, 1-47, 1-49                   |



---

|              |                        |        |                        |
|--------------|------------------------|--------|------------------------|
| 212792       | 1-59                   | 216798 | 1-21, 1-25, 1-31, 1-35 |
| 212793       | 1-59                   | 216799 | 1-21, 1-25, 1-31, 1-35 |
| 212799       | 1-59                   | 218356 | 1-21, 1-25             |
| 213921       | 1-61                   | 218419 | 1-45                   |
| 213956       | 1-61                   | 218420 | 1-45                   |
| 213963       | 1-25                   | 218442 | 1-91                   |
| 213971       | 1-45, 1-49             | 218478 | 1-25, 1-27             |
| 213973       | 1-25, 1-35             | 218479 | 1-25, 1-27             |
| 214776       | 1-21, 1-25, 1-31, 1-35 | 218481 | 1-23                   |
| 214784       | 1-21, 1-25             | 220119 | 1-45, 1-49             |
| 214786       | 1-23, 1-27             | 220120 | 1-45, 1-49             |
| 214791       | 1-25, 1-35             | 220129 | 1-33, 1-37             |
| 214793       | 1-27                   | 220132 | 1-33, 1-37             |
| 214804       | 1-89                   | 220134 | 1-35, 1-41             |
| 214840       | 1-3, 1-5               | 220135 | 1-35, 1-41             |
| 214841       | 1-7                    | 220136 | 1-31, 1-39             |
| 2-150-010008 | 1-13, 1-15             | 220137 | 1-37                   |
| 215969       | 1-19                   | 220139 | 1-33                   |
| 215970       | 1-7, 1-19              | 220140 | 1-35                   |
| 215971       | 1-3, 1-5, 1-7, 1-19    | 220142 | 1-31                   |
| 215989       | 1-43                   | 220147 | 1-33, 1-37             |
| 215990       | 1-47                   | 220150 | 1-59                   |
| 216435       | 1-62                   | 220151 | 1-59                   |
| 216462       | 1-7, 1-15              | 220152 | 1-61                   |
| 216463       | 1-3, 1-7, 1-15         | 220153 | 1-61                   |
| 216464       | 1-87                   | 220154 | 1-61                   |
| 216465       | 1-13, 1-15             | 220164 | 1-59                   |
| 216734       | 1-43, 1-45, 1-47, 1-49 | 220172 | 1-31, 1-35             |
| 216735       | 1-43, 1-47             | 221120 | 1-31, 1-35             |
| 216736       | 1-43                   | 221121 | 1-35, 1-37             |
| 216737       | 1-43, 1-47             | 221122 | 1-35, 1-37             |
| 216747       | 1-43                   | 221123 | 1-31, 1-33             |
| 216748       | 1-47                   | 221124 | 1-33, 1-37             |
| 216757       | 1-21                   | 221128 | 1-39, 1-41             |
| 216759       | 1-21, 1-31             | 221129 | 1-39, 1-41             |
| 216761       | 1-23                   | 221134 | 1-57                   |
| 216762       | 1-21, 1-23             | 221135 | 1-55, 1-57             |
| 216763       | 1-21, 1-31             | 221136 | 1-39, 1-41, 1-45, 1-49 |

---

## TABLE OF CONTENTS

### INDEX

---

|        |                  |        |                              |
|--------|------------------|--------|------------------------------|
| 221137 | 1-3, 1-5, 1-7    | 222392 | 1-21, 1-39                   |
| 221140 | 1-3, 1-5, 1-7    | 224503 | 1-31, 1-33                   |
| 221141 | 1-7              | 224505 | 1-66                         |
| 221143 | 1-3, 1-5         | 224506 | 1-43, 1-45                   |
| 221146 | 1-13, 1-15       | 224507 | 1-43, 1-45                   |
| 221147 | 1-16             | 224509 | 1-43                         |
| 221149 | 1-3, 1-5, 1-7    | 224510 | 1-43                         |
| 221150 | 1-3, 1-5, 1-7    | 224511 | 1-39                         |
| 221158 | 1-87             | 224522 | 1-65                         |
| 221159 | 1-45, 1-49       | 224523 | 1-69                         |
| 221161 | 1-83             | 224526 | 1-65, 1-69                   |
| 221163 | 1-45, 1-49       | 224537 | 1-65, 1-69                   |
| 221174 | 1-25, 1-41       | 224549 | 1-65                         |
| 221175 | 1-25, 1-41       | 224550 | 1-69                         |
| 221179 | 1-23, 1-27       | 224551 | 1-65, 1-69                   |
| 221180 | 1-23, 1-27       | 224553 | 1-5, 1-66, 1-79              |
| 221181 | 1-27             | 224554 | 1-79                         |
| 221193 | 1-61             | 224555 | 1-79                         |
| 221195 | 1-33, 1-37       | 224569 | 1-79                         |
| 221198 | 1-9              | 224576 | 1-51, 1-53, 1-55, 1-57       |
| 222317 | 1-35, 1-37       | 224577 | 1-55, 1-57                   |
| 222340 | 1-47, 1-49       | 224578 | 1-51, 1-53, 1-55, 1-57       |
| 222341 | 1-47, 1-49       | 224579 | 1-15, 1-51, 1-53, 1-55, 1-57 |
| 222342 | 1-47             | 224580 | 1-16, 1-51, 1-53, 1-55, 1-57 |
| 222349 | 1-39, 1-41       | 224589 | 1-45, 1-49, 1-87             |
| 222350 | 1-45, 1-49       | 224590 | 1-45, 1-49                   |
| 222351 | 1-3, 1-5, 1-7    | 224594 | 1-65, 1-69                   |
| 222352 | 1-53             | 224631 | 1-89                         |
| 222353 | 1-51, 1-53       | 224632 | 1-89                         |
| 222359 | 1-83             | 224649 | 1-65, 1-69                   |
| 222361 | 1-89             | 224659 | 1-65, 1-69, 1-87             |
| 222362 | 1-45, 1-49       | 224660 | 1-65, 1-69                   |
| 222372 | 1-31, 1-35, 1-87 | 224674 | 1-62                         |
| 222377 | 1-87             | 224676 | 1-62                         |
| 222378 | 1-87             | 224677 | 1-62                         |
| 222380 | 1-89             | 224679 | 1-62                         |
| 222381 | 1-89             | 224680 | 1-62                         |
| 222387 | 1-23             | 224682 | 1-5, 1-66, 1-67              |

224683 ..... 1-67

229040 ..... 1-3, 1-13

229744 ..... 1-79

229745 ..... 1-79

2-368-010287 ..... 1-9, 1-65, 1-69, 1-83

2-423-010040 ..... 1-13, 1-15

2-474-010022 ..... 1-65, 1-69, 1-75

2-557-010125 ..... 1-13, 1-15

2-557-010417 ..... 1-9

2-557-010426 ..... 1-67

2-573-010198 ..... 1-87

2-720-010034 ..... 1-79

29SFFL5811 ..... 1-59

2P793 ..... 1-65, 1-69

3-557-010415 ..... 1-3, 1-5, 1-7

3P285 ..... 1-45, 1-49

40-0717-02 ..... 1-66, 1-70, 1-83

415 ..... 1-3, 1-7

42H20 ..... 1-62

5000 ..... 1-73

5001150 ..... 1-75

528933 ..... 1-87

528934 ..... 1-87

528938 ..... 1-87

6-557-010163 ..... 1-13, 1-15

6K232 ..... 1-43, 1-47

70239854 ..... 1-9, 1-65, 1-69

70260977 ..... 1-45, 1-49, 1-87

70592442 ..... 1-10

7D937 ..... 1-43, 1-47

7D938 ..... 1-43, 1-47

7K114 ..... 1-45, 1-49

8-183-010058 ..... 1-59

8-573-010084 ..... 1-65, 1-69, 1-87

85G820E ..... 1-91

**T**

TR416 ..... 1-65, 1-69



**Document Control Revision Log:**

| <b>Date</b> | <b>Form #</b> | <b>Improvement(s): Description and Comments</b> |
|-------------|---------------|---|
| 10/26/2019  | F-1059        | New Manual.                                     |
| 08/11/2019  | F-1059-0820   | Initial Release.                                |
|             |               |   |



---

# Intertek

Equipment from Landoll Company, LLC is built to exacting standards ensured by ISO 9001 registration at all Landoll manufacturing facilities.

## Model 5110NG Native Grass Drill Parts Manual

Re-Order Part Number F-1059-0820

### LANDOLL COMPANY, LLC

1900 North Street

Marysville, Kansas 66508

(785) 562-5381

800-428-5655 ~ [WWW.LANDOLL.COM](http://WWW.LANDOLL.COM)



Copyright 2020. Landoll Company, LLC

“All rights reserved, including the right to reproduce this material or portions thereof in any form.”

Scan to go to [www.landoll.com](http://www.landoll.com)

