



Parts Manual

Mfg. No: 2691678-00

Prestige, 27 Gross HP Hydro 2WD w/PS
RMO SCS and 52" Fabricated Mower
Deck

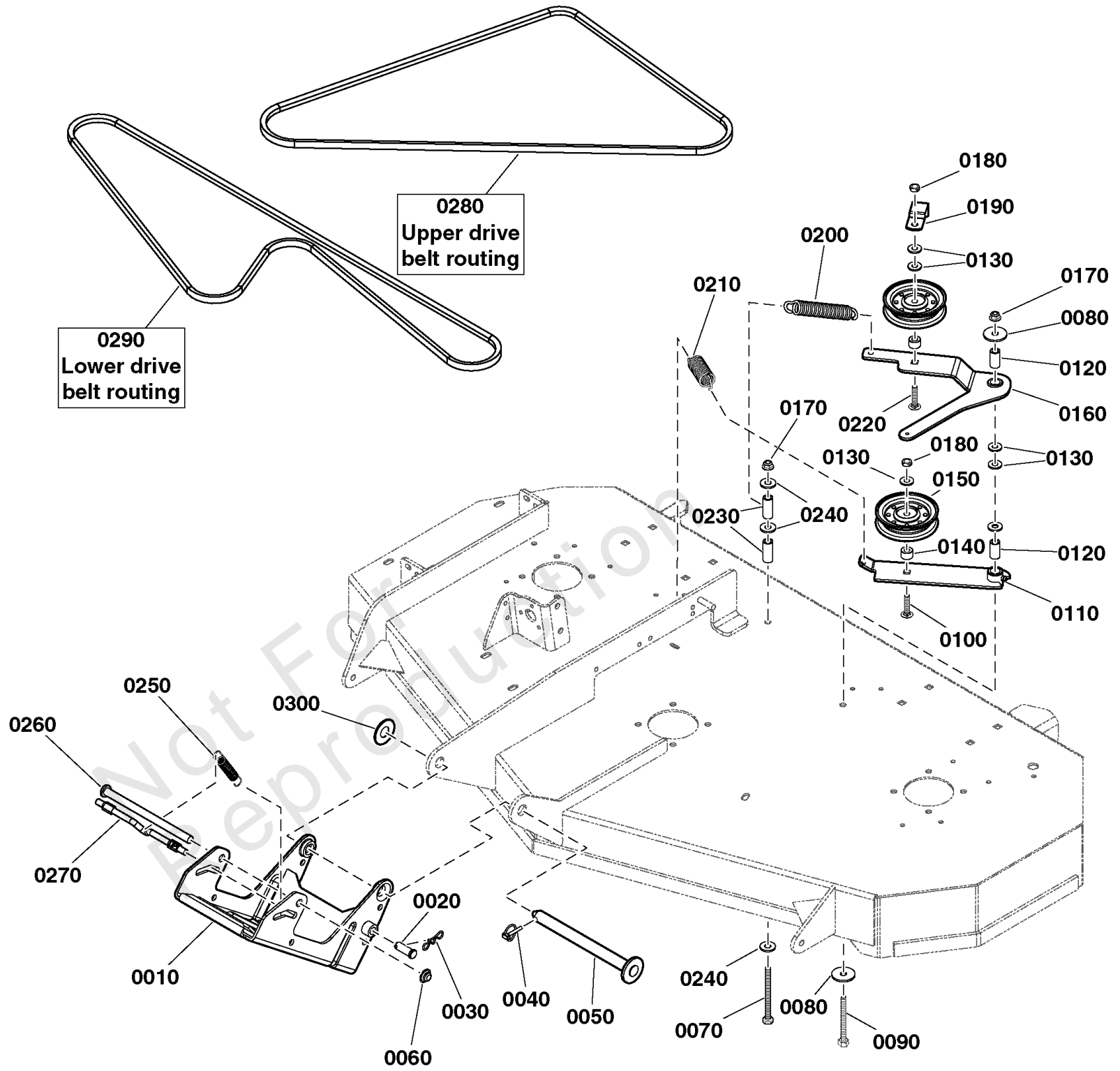
Model Components	Page
52" (132cm) Mower Deck - Clutch & Support Group.....	4
52" (132cm) Mower Deck - Height Adjust & Roller Group.....	6
52" (132cm) Mower Deck - Housing, Arbors & Blades Group.....	10
Controls Group.....	12
Cruise Control Group.....	14
Decals Group.....	16
Electric Lift Group.....	18
Electrical Group.....	20
Electrical Schematic -.....	21
Engine Group - 25 Gross HP Briggs & Stratton.....	23
Frame & Front Axle Group.....	25
Hood, Grille & Dash Group.....	27
Rear Suspension Group.....	29
Seat Deck Group.....	31
Seat Group.....	33
Steering Group - Power Steering with Tilt.....	35
Transmission Group.....	37
Transmission SERVICE PARTS - Tuff Torq K72H with Diff Lock (1755006).....	39
Wheels & Tires Group.....	45
Torque Specification Chart.....	47

Not For
Reproduction

52" (132cm) Mower Deck - Clutch & Support Group

Note: Unless noted otherwise, use the standard torque specifications

Mfg. No: 2691678-00



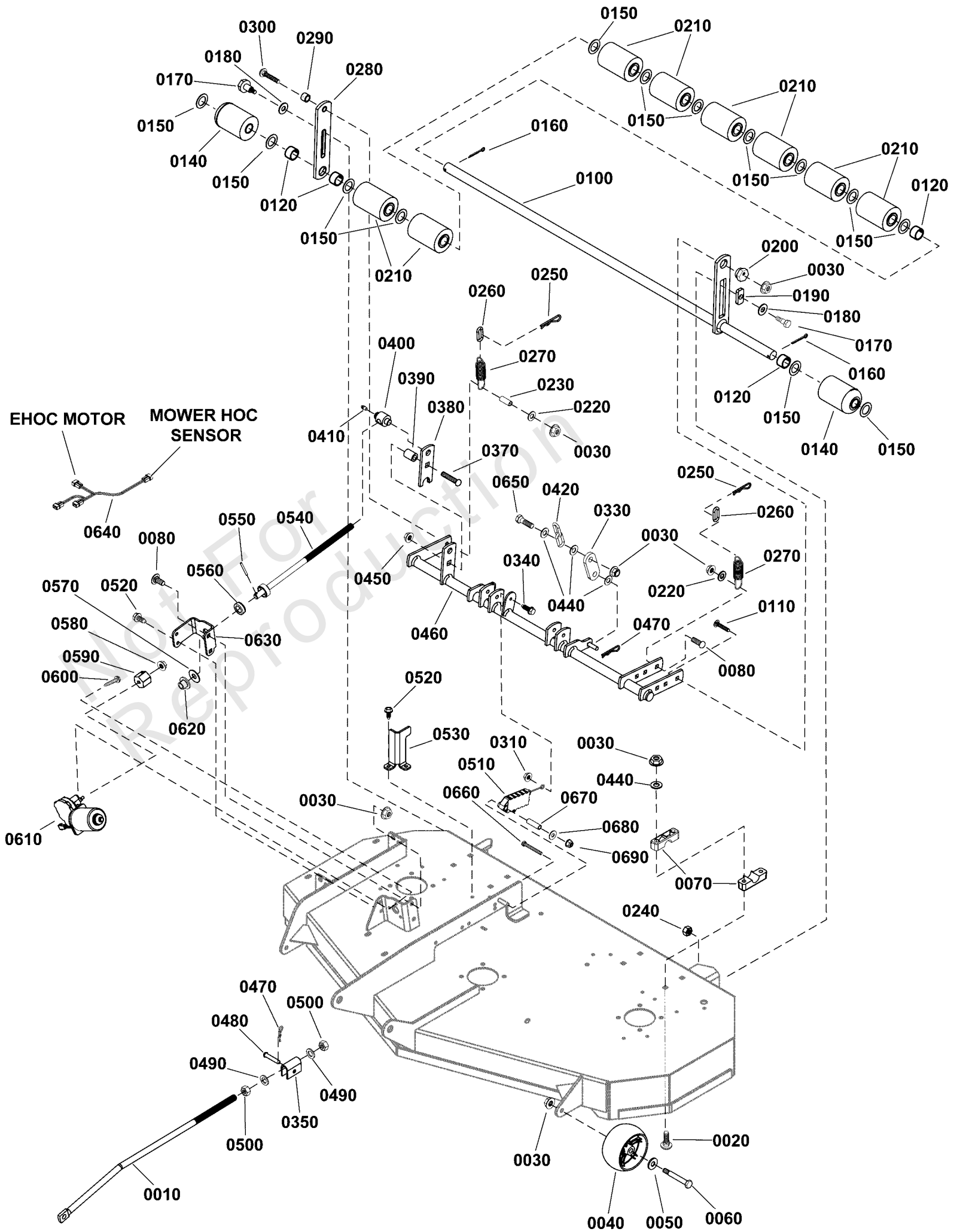
52" (132cm) Mower Deck - Clutch & Support Group

REF NO	PART NO	QTY	DESCRIPTION
0010	1755036AYP	1	HITCH
0020	5025479YP	2	CLEVIS PIN, 1/2 X 1.3
0030	1722320SM	2	PIN, Cotter, Locking,
0040	1709189SM	1	PIN, Klink
0050	1734011SM	1	PIN, Hitch Assembly
0070	703875	1	CAPSCREW, 3/8-16 x 4, GR5
0060	1960519SM	1	NUT, Push
0080	1924356SM	2	WASHER, 3/8
0090	1923938SM	1	CAPSCREW, Hex Head, 3/8-16 x 3-1/2 GR5
0100	7091945YP	1	BOLT, Carriage, Short Neck, 3/8-16 x 1-1/2
0110	1755124YP	1	IDLER, Lower
0120	1674669SM	2	SPACER-0.39 IDX0.625O
0130	7091528SM	5	WASHER, Flat, 3/8
0140	2157081SM	2	SPACER, 3/8 ID x 3/4 OD x 1/2
0150	1724387SM	2	PULLEY, Idler
0160	1755127YP	1	IDLER, Upper
0170	703158	2	NUT, Hex Flange, 3/8-16
0180	703230	2	NUT, 3/18-16, GR2
0190	1677135SM	1	GUARD, Spring
0200	1715435SM	1	SPRING, EXTENSION, 1.
0210	1656936SM	1	SPRING, Extension
0220	703858	1	BOLT, 3/8-16X1.75
0230	5048264SM	2	SPACER, .39 X .63 X 1
0240	1922755SM	3	WASHER, 3/8
0250	2156302SM	1	SPRING, Extension, 4-1/8
0260	1713578SM	1	ROD, 7.62"
0270	1715759SM	1	ROD, 3/8 x 8
0280	1759752YP	1	V-BELT, HA, 73.2, ARAMID
0290	1728008SM	1	V-BELT, HA, 89.25, ARAMID/KEVLAR
0300	1960061SM	1	WASHER, 3/4

52" (132cm) Mower Deck - Height Adjust & Roller Group

Note: Unless noted otherwise, use the standard torque specifications

Mfg. No: 2691678-00



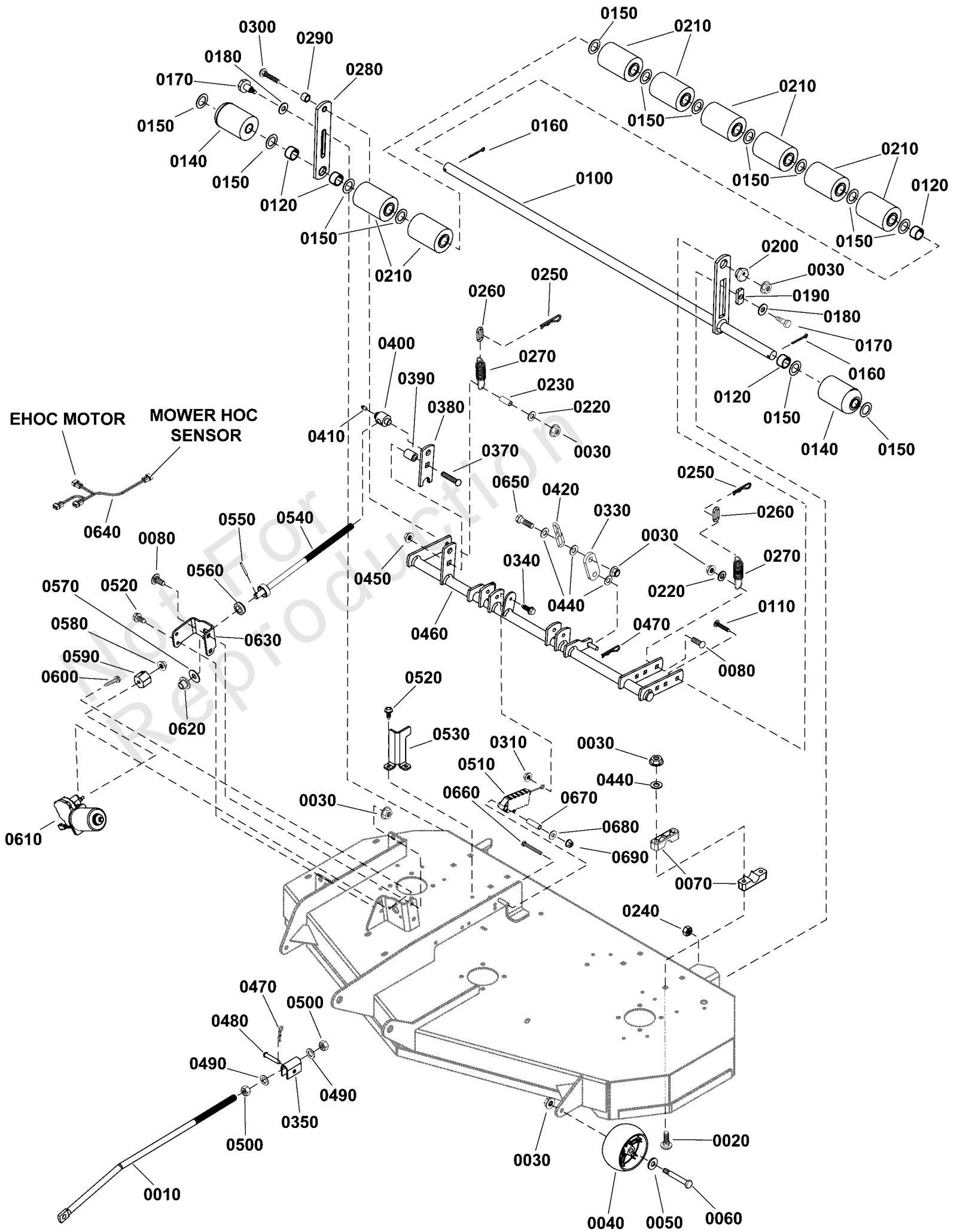
52" (132cm) Mower Deck - Height Adjust & Roller Group

REF NO	PART NO	QTY	DESCRIPTION
0010	1754971YP	2	ROD, Pitch
0020	5025146X22YP	8	BOLT, Carriage, 3/8-16 x 2-1/2
0030	5025394SM	17	NUT, 3/8-16 HEX NYLOCK
0040	1736896YP	2	WHEEL, GAUGE
0050	1960170SM	2	WASHER, 1/2
0060	1736539YP	2	BOLT, SHOULDER
0070	5100634SM	8	PIVOT BLOCK, PLASTIC
0080	7091640SM	3	BOLT, Carriage, 3/8-16 x 1 GR5
0100	1754982AYP	1	SHAFT, Roller
0110	5025146X16SM	1	BOLT, 3/8-16 X 2", CA
0120	1701873SM	4	SPACER, 1.02 ID
0140	1678043SM	2	ROLLER
0150	703149	13	WSHR
0160	1918459SM	2	PIN, Cotter, .188 X 1.500
0170	2172622SM	2	BOLT, Shoulder, 3/8-16 X 1.34, 1/2 Shoulder
0180	1924361SM	2	WASHER, 1/2
0190	1677507SM	1	SLIDE
0200	1704082SM	1	NUT, Hex Adjusting, 11/16
0210	1678042YP	8	ROLLER, W/Bushings
0220	5025165SM	3	WASHER, 3/8" FENDER
0230	5041931SM	1	SPACER, .38 X .50 X 1
0240	2860681SM	2	NUT, Hex Flange, 3/8-16
0250	1960033SM	2	CLIP, Hair Pin
0260	1755637YP	2	COIL CHAIN
0270	1755628YP	2	SPRING, Extension
0280	1754967AYP	1	SUPPORT, Upright, RH
0290	706056	1	SPACER, .39 x .55 x .56
0300	5025013X24SM	1	BOLT, 3/8-16 X 3" GD5
0310	703115	1	NUT
0330	84004628	2	LINK, Transport
0340	1960373SM	1	CAPSCREW, Hex Washer Head, Taptite, 5/16-18 x 1
0350	1706645ASM	2	TRUNNION-2.00WD-BLACK
0370	1960489SM	1	BOLT-RD HD SQ NK 1/2-
0380	1755004AYP	1	ARM, EHOc
0390	1679166SM	1	SPACER, 1/2 x 7/8 x 1 3/16
0400	1715892SM	1	TRUNNION
0410	1704314SM	1	LUBE FITTING, .250 DR
0420	1731383ASM	2	CHAIN, Link, 2 Links
0440	5025156SM	14	WASHER, 3/8 SAE
0450	1960689SM	1	NUT, Hex, Toplock Flange, 1/2-13
0460	1754969AYP	1	SHAFT, Rocker
0470	1960074SM	4	CLIP, HAIR PIN .093DI
0480	2118053SM	2	PIN. Round Head, .375 X 2
0490	1924366SM	4	WASHER, 5/8
0500	1915726SM	4	NUT, Hex, 5/8-11
0510	1750618YP	1	SENSOR, Electric Height Of Cut
0520	1664847SM	6	SCREW, Hex Washer Head, Taptite, 5/16-18 x 3/4
0530	1755554AYP	2	BRACKET, Upstop
0540	1755556YP	1	ROD & SPACER ASSEMBLY
0550	1960581SM	1	PIN-SPRING .188 X 1.5
0560	1715891SM	1	BEARING, Thrust

52" (132cm) Mower Deck - Height Adjust & Roller Group

Note: Unless noted otherwise, use the standard torque specifications

Mfg. No: 2691678-00



52" (132cm) Mower Deck - Height Adjust & Roller Group

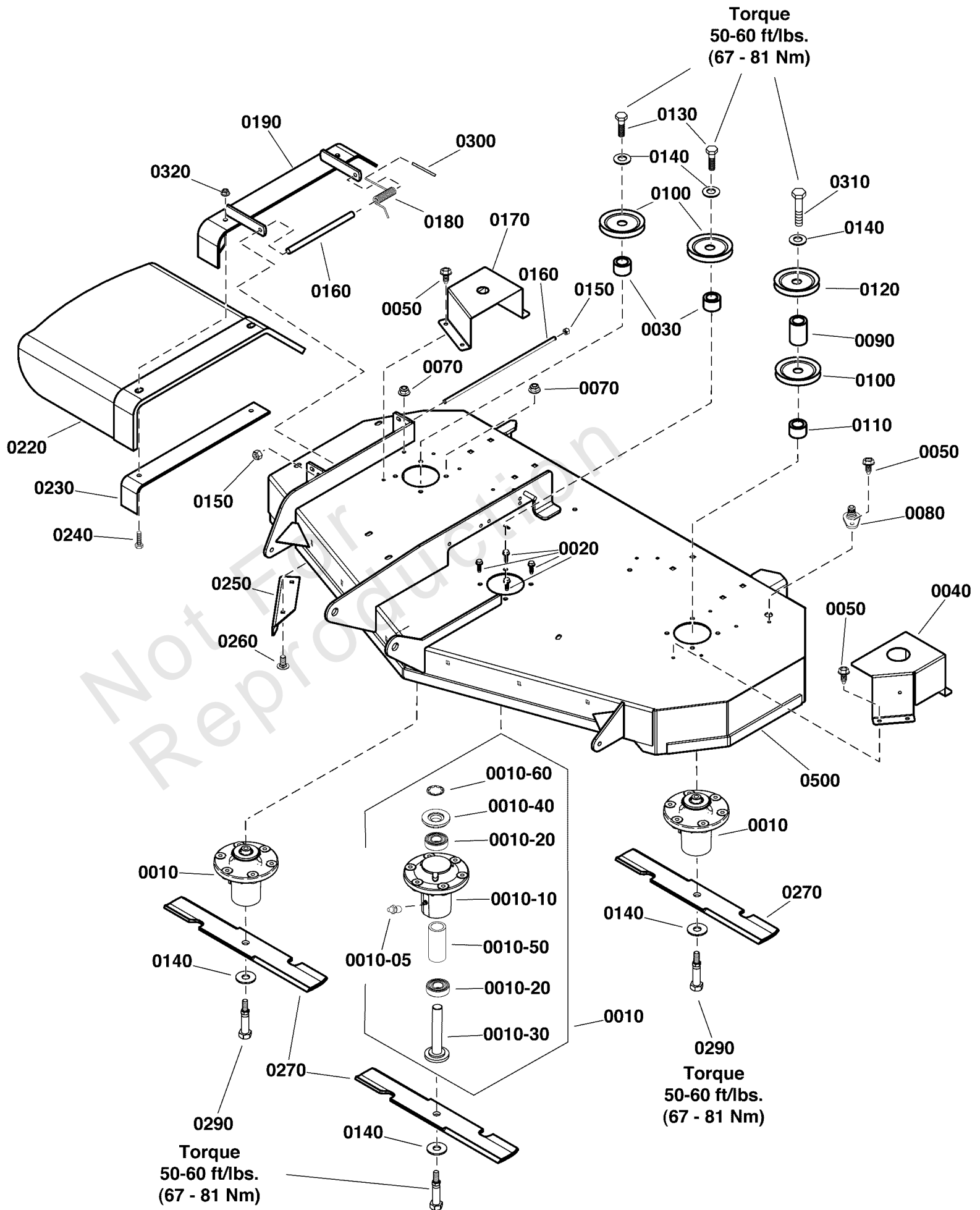
REF NO	PART NO	QTY	DESCRIPTION
0570	1716998SM	1	WASHER
0580	1960685SM	1	NUT, Hex KEPS, 1/4-20
0590	1715886SM	1	ADAPTER, Motor
0600	2860664SM	3	SCREW, HEX SEMS WSHR,
0610	1715885SM	1	MOTOR, Electric
0620	1715887SM	1	HUB
0630	1755503AYP	1	BRACKET, Support, EHO
0640	1760433YP	1	HARNESS
0650	84003591	1	BOLT, FLANGE
0660	1921963SM	1	CAPSCREW, Hex Flange Head, 1/4-20 x 2
0670	5101215YP	1	SPACER, .26 X .38 X 1
0680	703332	1	WASHER
0690	703463	1	NUT, GR5,1/4-20

Not For Reproduction

52" (132cm) Mower Deck - Housing, Arbors & Blades Group

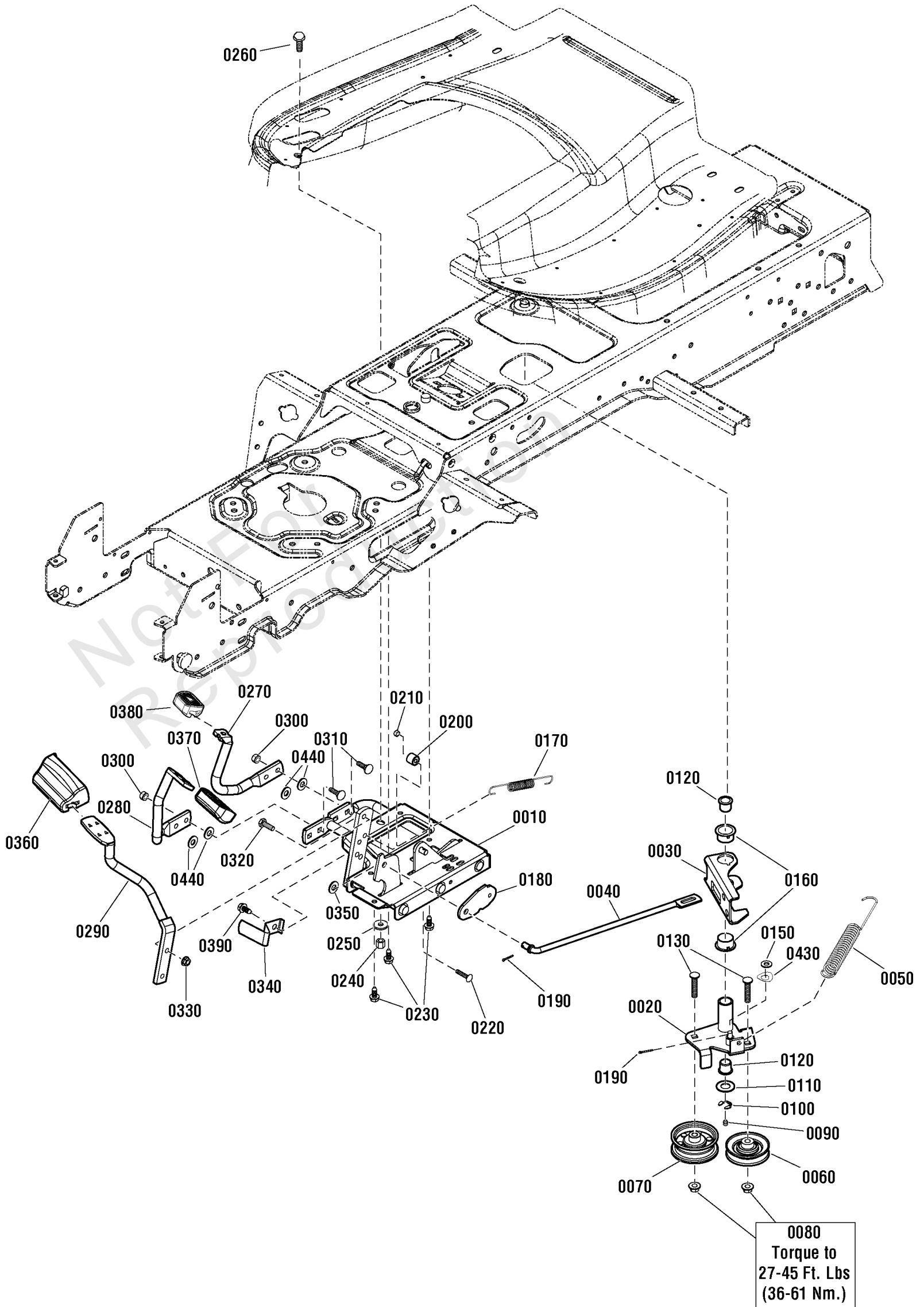
Note: Unless noted otherwise, use the standard torque specifications

Mfg. No: 2691678-00



52" (132cm) Mower Deck - Housing, Arbors & Blades Group

REF NO	PART NO	QTY	DESCRIPTION
0010	84003174	3	ARBOR ASSEMBLY
0010-05	1704314SM	1	LUBE FITTING, .250 DR
0010-10	84003653	1	HOUSING ASSEMBLY
0010-20	1735399YP	2	BEARING, Ball, 20mm
0010-30	84003655	1	SPINDLE ASSEMBLY
0010-40	84003166	1	COVER, ARBOR
0010-50	84003167	1	SPACER, BEARING
0010-60	1960766YP	1	RING, SELF LOCKING
0020	704146	18	SCREW, HEX, 5/16-18X1
0030	1737457YP	2	SPACER, Pulley
0040	84004328	1	COVER, Arbor, LH
0050	703228	8	SCREW, 5/16-18 X .75
0070	703115	2	NUT
0080	1756247YP	1	ADAPTER, Washout Port
0090	706364	1	SPACER, HUB
0100	1755470YP	3	PULLEY, Deep Groove, 4 1/4
0110	84003706	1	SPACER
0120	1732951SM	1	PULLEY-04.60 OD 1.000
0130	1920676SM	2	CAPSCREW, Hex Head, 7/16-14 X 1
0140	1656916SM	6	WASHER, SPRING 0.475I
0150	5025045SM	2	NUT, 5/16-24 HEX NYLO
0160	5042555SM	1	ROD, BRAKE LINKAGE
0170	84004329	1	COVER, Arbor, RH
0180	5023385SM	1	SPRING, TORSION
0190	5413404AYP	1	MOUNT, Discharge
0220	5402404SM	1	CHUTE, DISCHARGE, BEND RUBBER, 44/48/52 (5100842)
0230	5402362AYP	1	SUPPORT, DSCHRG CHUTE
0240	703406	2	CAPSCREW,3/8-16X1.5
0250	5405557YP	1	PLATE
0260	703800	2	BOLT, CRRG, 5/16-18X1
0270	1756152YP	3	BLADE-MOWER
0290	1920676SM	3	CAPSCREW, Hex Head, 7/16-14 X 1
0300	5023489SM	1	CAP, PROTECTOR, .120
0310	84004720	1	BOLT, 7/16-14 x 3 1/2
0320	703158	2	NUT, Hex Flange, 3/8-16
0500	1687719YP	1	KIT, Mower Deck 52", Orange



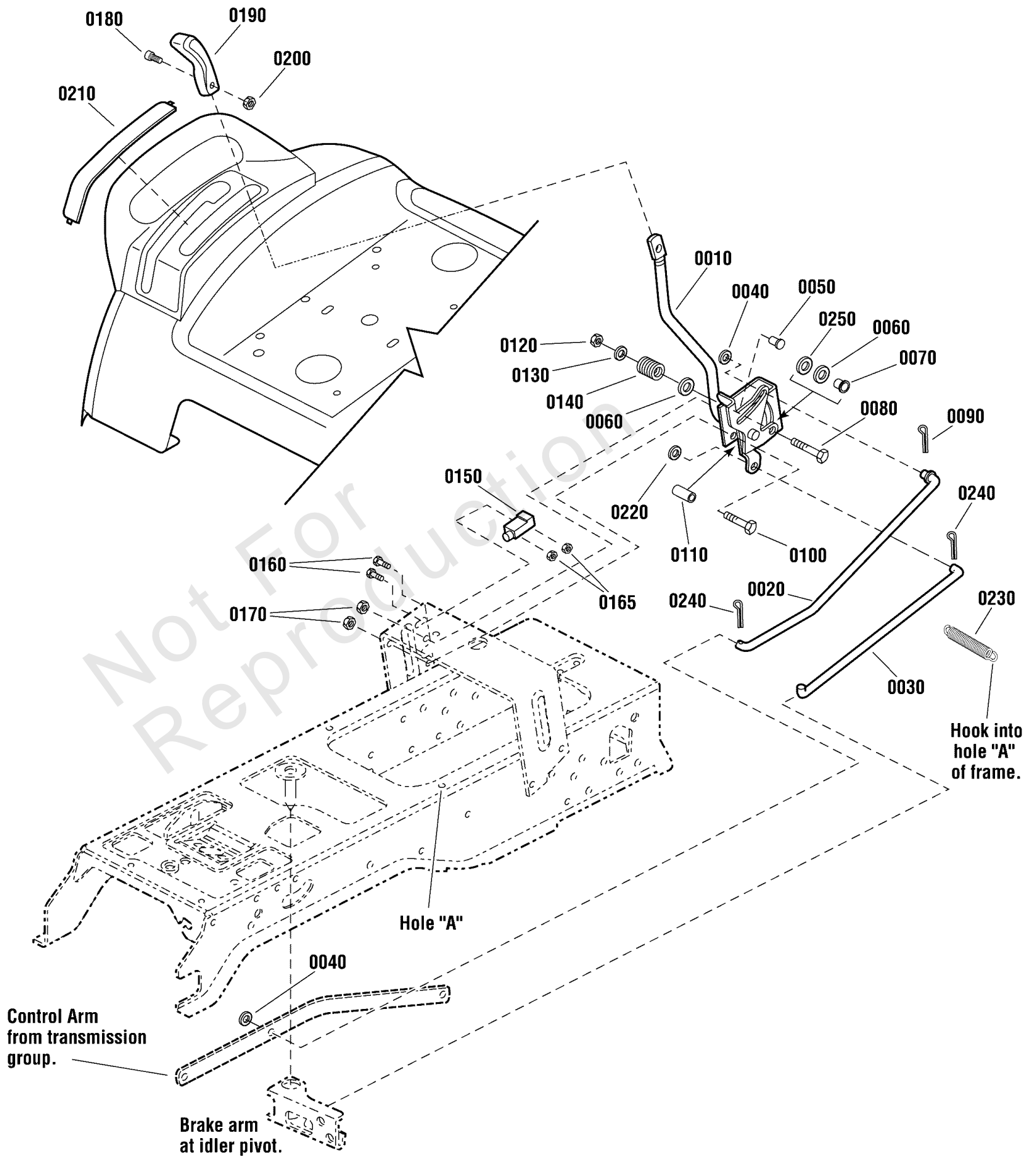
Controls Group

REF NO	PART NO	QTY	DESCRIPTION
0010	1755599AYP	1	FOOT PEDAL ASSEMBLY
0020	1726882SM	1	IDLER ARM ASSEMBLY
0030	1722513SM	1	ARM, Brake, 5.43
0040	1721476SM	1	ROD, Brake
0050	1725250SM	1	SPRING, Extension, 7-3/4
0060	1721134SM	1	PULLEY, 3" OD
0070	1721133SM	1	PULLEY, IDLER
0080	1960687SM	2	NUT, Hex Flange, ESNA, 3/8-16
0090	2821133SM	1	FITTING, Lube
0100	1704420SM	1	RING, Klipring, 5/8
0110	1960020SM	1	WASHER, Plain, 21/32
0120	1663114SM	2	BUSHING, Nylon, 5/8 ID x 3/4 OD x 3/4
0130	1931353SM	2	BOLT, Carriage, Short Neck, 3/8-16 x 1-3/4, GR5
0150	1919326SM	1	WASHER, 5/16
0160	1723237SM	2	BUSHING, Nylon, 1 x 1-1/8 x 5/8
0170	1721995SM	1	SPRING, Extension, 5/8 x 6-5/8
0180	1755598AYP	1	LATCH, Parking Brake
0190	703312	2	PIN, COTTER, 3/32X.75
0200	1732564SM	1	SPACER, 1/4 x 5/8 x 1/2
0210	1920397SM	1	NUT, Hex Lock, ESNA Light, 1/4-20
0220	1931320SM	1	BOLT, Carriage, Short Neck, 1/4-20 x 1-1/4, GR5
0230	703228	3	SCREW, 5/16-18 X .75
0240	1919438SM	1	NUT, Hex Lock, ESNA Light, 5/8-18
0250	1919381SM	1	WASHER, 5/16
0260	703410	1	BOLT, 5/16-18X1
0270	1722071ASM	1	PEDAL, Reverse
0280	1722070ASM	1	PEDAL, Forward
0290	1722535ASM	1	PEDAL, Brake
0300	704067	4	NUT, HEX FLNG, 5/16-18
0310	703800	4	BOLT, CRRG, 5/16-18X1
0320	703570	2	CAPSCREW, Hex Head, 5/16-18 x 1 1/4
0320	703570	2	CAPSCREW, Hex Head, 5/16-18 x 1 1/4
0330	1927557SM	2	NUT, Hex Flange, Whiz Lock, 5/16-18
0340	1755620AYP	1	ACTUATOR, Switch
0350	1924940SM	1	WASHER, 3/8
0360	1721577SM	1	PAD, Brake Pedal
0370	1721675SM	1	PAD, Foot Pedal, Forward
0380	1721674SM	1	PAD, Foot Pedal, Reverse
0390	5025059X6SM	1	SCREW, Self Tapping, 5/16-18 x 3/4
0430	5023202SM	1	WASHER, WAVE, M10
0440	703878	4	WASHER, FLAT

Cruise Control Group

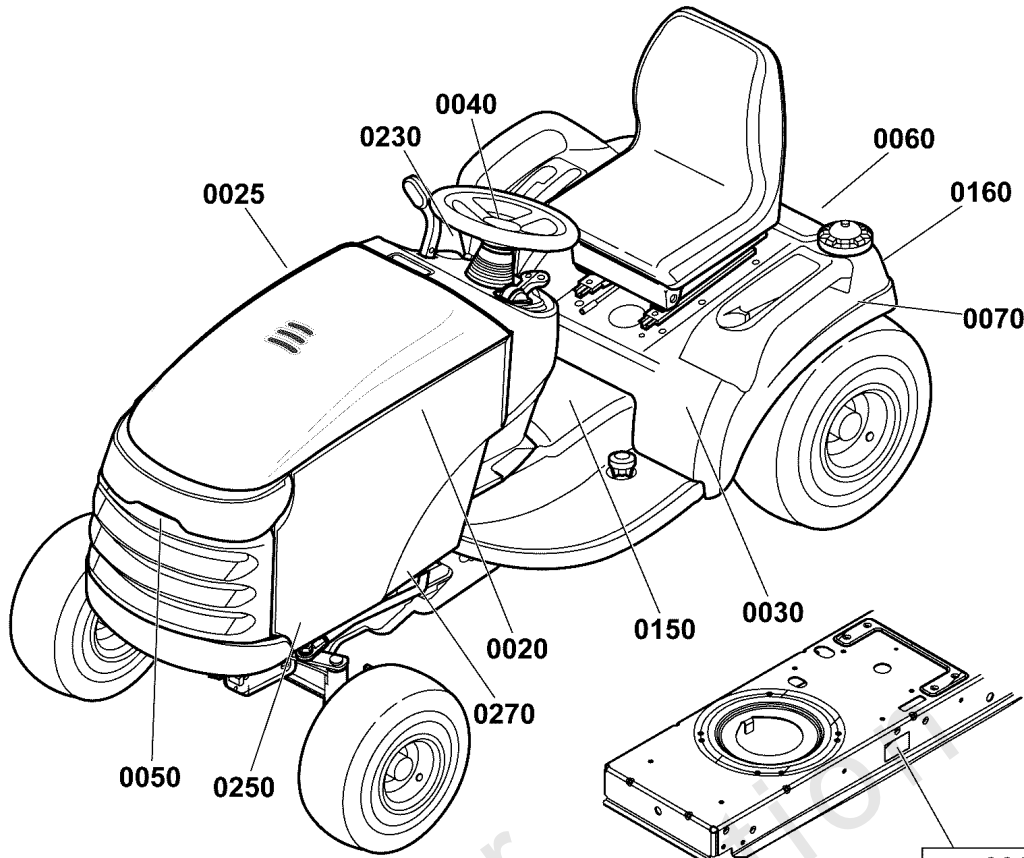
Note: Unless noted otherwise, use the standard torque specifications

Mfg. No: 2691678-00



Cruise Control Group

REF NO	PART NO	QTY	DESCRIPTION
0010	1722003AYP	1	LEVER & BRACKET ASSEMBLY, Cruise
0020	1722117SM	1	ROD, Cruise
0030	1733719SM	1	ROD, Return
0040	1960103SM	3	WASHER, 3/8"
0050	1931333SM	1	BOLT, Carriage, 5/16-18 x 3/4
0060	2826192SM	2	WASHER, 1/2
0070	1709043SM	1	SPACER, w/Flange, 11/32 x 15/32 x 3/4
0080	1931342SM	1	BOLT, Carriage, 5/16-18 x 2-3/4
0090	1918447SM	1	PIN, Cotter
0100	1960273SM	1	BOLT, Carriage, 5/16-18 x 2-1/4
0110	1722080SM	1	SPACER, .357 x 5/8 x 1.4
0120	1919438SM	1	NUT, Hex Lock ESNA Light, 5/16-18
0130	1919381SM	1	WASHER, 5/16
0140	1677746SM	1	SPRING, Compression
0150	1717050SM	1	SWITCH-PUSH BUTT
0160	1933737SM	2	SCREW, Hex Washer Head, 10-24 x 5/8
0165	1960591SM	2	NUT, Hex, 10-24
0170	1960636SM	2	NUT, Hex KEPS, 5/16-18
0180	1960666SM	1	SCREW, Torque Head Plus Socket Head, 1/4-20 x 7/8
0190	1722303SM	1	HANDLE, SHIFT
0200	1920397SM	1	NUT, Hex Lock ESNA Light, 1/4-20
0210	1722314SM	1	COVER, w/Cruise Icon
0220	704015	1	WASHER, FLAT 5/16
0230	2159106SM	1	SPRING, Cruise Return to Frame
0240	1722460SM	2	PIN, Quick
0250	1705928SM	1	DISK, Friction -(-Used before serial Nos 2017753000)

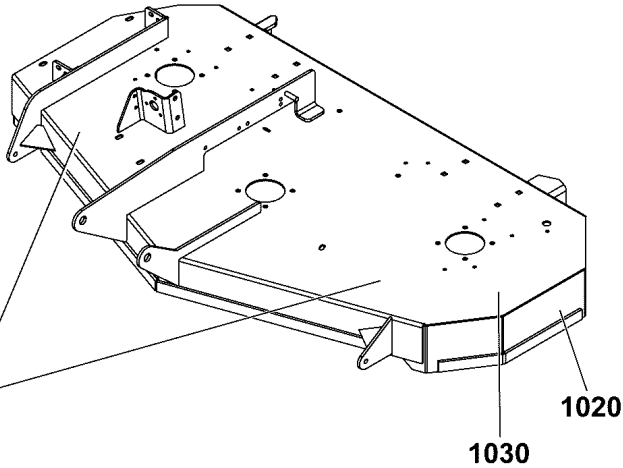


0250

0010
EVAP decal
placed next
to serial label

Simplicity

0020 / 0025



PRESTIGE™

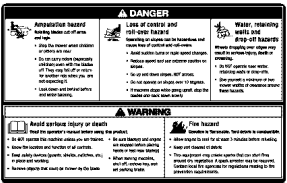
0030

Simplicity

0060

52"
132cm

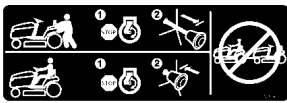
1030



0150



0230



0160



0190



0040



0050

AUTOMATIC CONTROLLED TRACTION™

0070

POWER STEERING

0080

EFI ELECTRONIC FUEL INJECTION

0270



1010

FREE FLOATING MOWER

1020

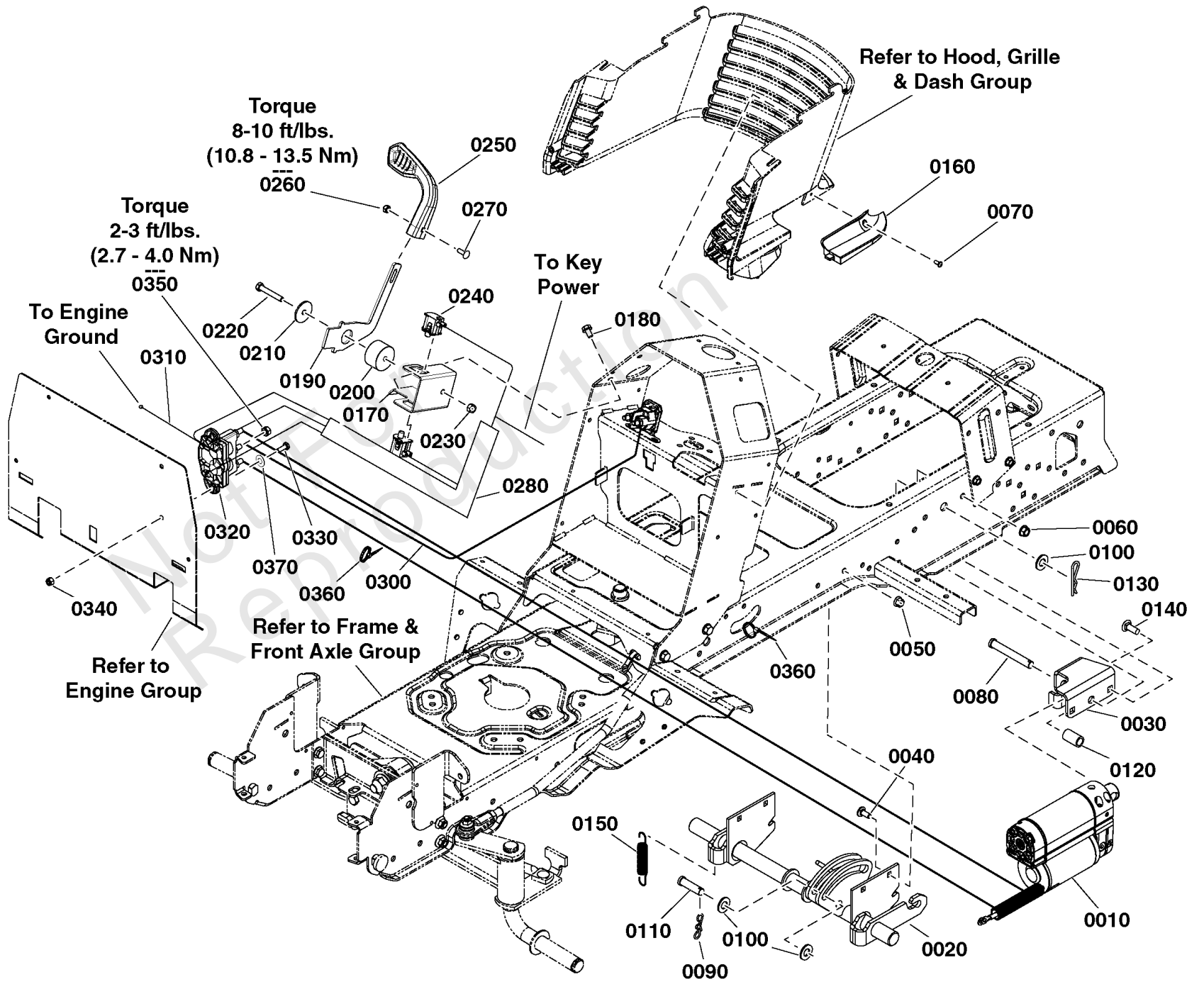
Decals Group

REF NO	PART NO	QTY	DESCRIPTION
0010	209633YP	1	DECAL
0020	1755902YP	1	DECAL, Logo, Simplicity, LH
0025	1755903YP	1	DECAL, Logo, Simplicity, RH
0030	772331	1	DECAL
0040	1755843YP	1	DECAL, Logo, Steering Wheel
0050	1755798YP	1	DECAL, 3D, Logo, Simplicity
0060	1757673YP	1	DECAL, SMI LOGO 10.47
0070	84004399	1	DECAL, Automatic Controlled Traction
0080	84004401	1	DECAL, Power Steering
0150	84005710	1	DECAL, Tunnel Cover Danger Slopes
0160	1723160SM	1	DECAL, Transmission Release Valve
0190	1720454SM	1	DECAL, Hood (Underside), Touch-Up Paint, Simplicity & AGCO-Allis
0230	84003695	1	DECAL, KEY FOB, CONTROL
0250	1758877YP	1	DECAL, SCS
0270	1760300YP	1	DECAL, EFI, Legacy
1010	7101665YP	2	DECAL, DANGER
1020	1755726YP	1	DECAL, Free Floating Deck
1030	175721YP	1	DECAL, MOWER WIDTH 52IN/132CM

Electric Lift Group

Note: Unless noted otherwise, use the standard torque specifications

Mfg. No: 2691678-00



Electric Lift Group

REF NO	PART NO	QTY	DESCRIPTION
0010	84003773	1	ACTUATOR
0020	84003699	1	SHAFT ASSEMBLY, Lift
0030	84003751	1	SUPPORT
0040	703185	4	BOLT, Round Head, Short Square Neck
0050	703115	4	NUT
0060	703333	2	NUT, 3/8-16
0070	1739329YP	1	SCREW, PT Thread, 5mm Dia. x 12mm
0080	1725223SM	1	PIN, Clevis
0090	1722320SM	1	PIN, Cotter, Locking,
0100	704123	3	WASHER, .531X1.06X.094
0110	84005130	1	PIN, CLEVIS
0120	84003784	1	SPACER
0130	1960033SM	1	CLIP, Hair Pin
0140	703815	2	BOLT, RD SQ 3/8-16X1
0150	2156302SM	2	SPRING, Extension
0160	1755441YP	1	PLUG, Dash Lift
0170	84003957	1	BRACKET
0180	703985	2	SCREW, 5/16-18X.5
0190	84003776	1	LEVER
0200	84004945	1	SPACER
0210	1920283SM	1	WASHER, Flat, 11/32 x 1-1/2 x 7/64
0220	703867	1	CAPSCREW, 5/16-18 X 2
0230	703902	1	NUT, HEX, 5/16-18
0240	84003777	2	SWITCH
0250	84003726	1	HANDLE
0260	84004946	1	NUT, Acorn, 1/4-20
0270	703584	1	BOLT, 1/4-20X1, GR5
0280	84003775	1	HARNESS
0300	84004339	1	CABLE, Power
0310	84003740	1	CABLE
0320	84003769	1	CONTACTOR
0330	703925	2	CAPSCREW, 1/4-20X.75
0340	703232	2	NUT, 1/4-20, NYLOCK
0350	2860750SM	4	NUT-HEX KEPS 5/16-24
0360	703586	1	TIE, SELF LOCKING
0370	703332	2	WASHER

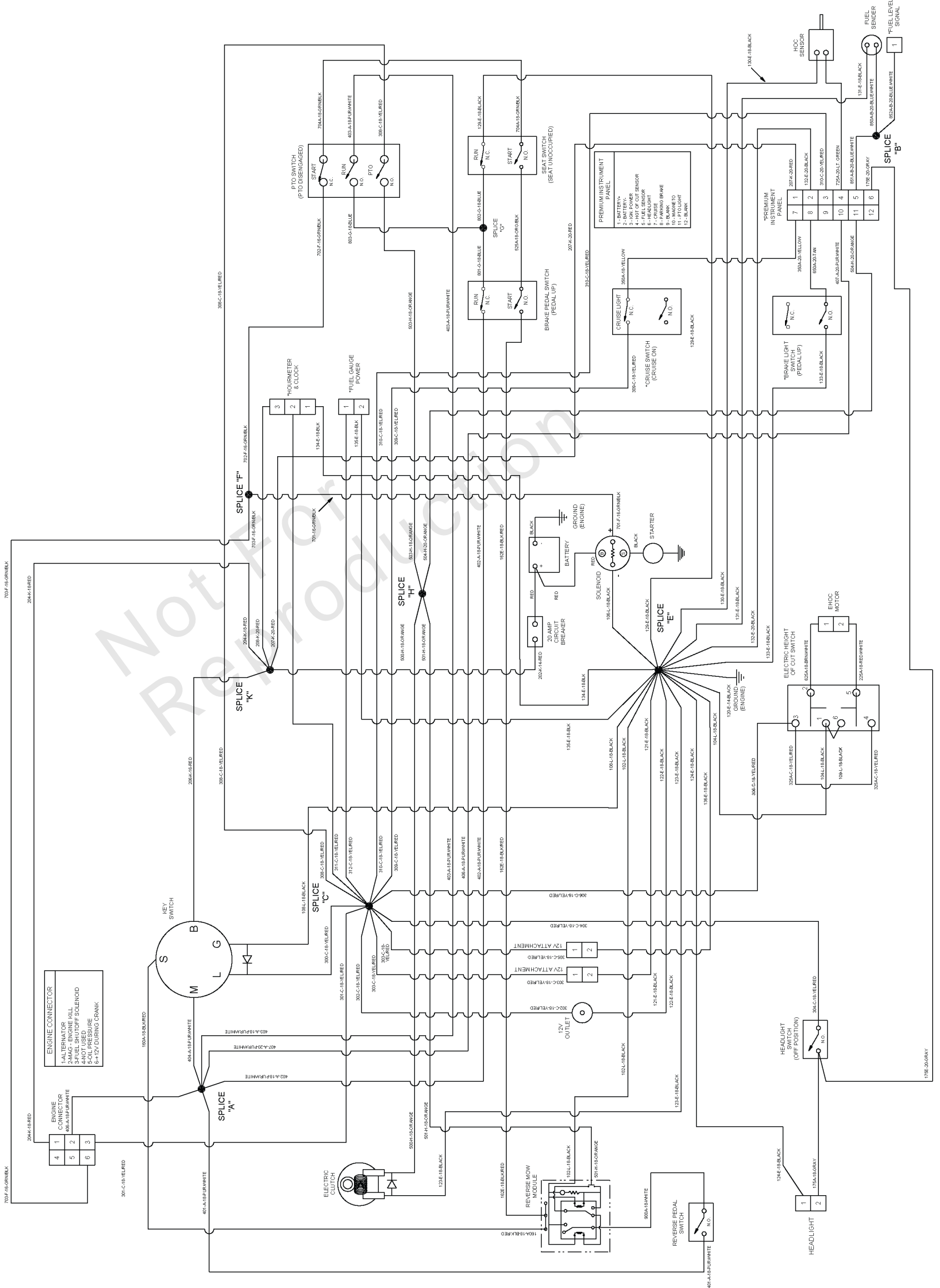
Electrical Group

REF NO	PART NO	QTY	DESCRIPTION
0010	-----	1	BATTERY, 11U1L, 350 CCA
0020	1755468YP	1	CABLE, Electric, #6 X 8", Red
0030	1721830SM	1	CABLE, #6 25.0 Lg Red
0040	1755469YP	1	CABLE, Electric, #6 X 17.5", Black
0050	1677296SM	1	BOOT,INSULATOR BATTER
0060	1713535SM	1	BOOT, Insulator, Red
0130	1665238SM	1	BREAKER-CIRCUIT
0150	1722009SM	1	STRAP, Rubber, 13"
0160	84003725	1	BEZEL
0191	1739329YP	1	SCREW, PT Thread, 5mm Dia. x 12mm
0200	1760751YP	1	PANEL, EFI
0210	1739681BMYP	1	BRACKET, Instrument Panel
0220	67885GS	1	NUT, Nylock, M6-1.0
0230	1737523YP	1	SENDER, Fuel Tank
0240	2860665SM	1	SCREW, Pan Head, Torx, 10-32 x 1/2
0270	1722309SM	1	PLUG, Hole 3", Round
0280	1725302SM	1	OUTLET, 12 Volt
0290	1665237SM	1	WIRE, 12 Gauge, 7.9 LG
0300	84003739	1	HARNESS, Main
0301	84003804	1	HARNESS
0310	7022886YP	1	SWITCH, DP NO/NC SNAP
0330	1761897YP	1	SWITCH, Reverse Mow Option
0350	1761475YP	1	SWITCH, Height of Cut
0360	1757736YP	1	SWITCH, PTO
0370	1757737YP	1	SWITCH, Headlight
0390	84003613	1	SWITCH ASSEMBLY, Push Button Start
0440	703586	1	TIE, SELF LOCKING
0450	84006195	1	WIRE LOOM
0460	84006196	1	HARNESS, Push Button Start
0480	84006197	1	JUNCTION BLOCK
0490	704060	1	SCREW,HEX, #10-24X.5
0760	84003744	1	HARNESS, Headlight
0770	84004739	1	BOOT, Insulator, Red
----	84007543	1	HARNESS -(Refer to Dealer Service Bulletin DSB-1133 for details regarding usage)

Electrical Schematic -

Note: Unless noted otherwise, use the standard torque specifications

Mfg. No: 2691678-00



Electrical Schematic -

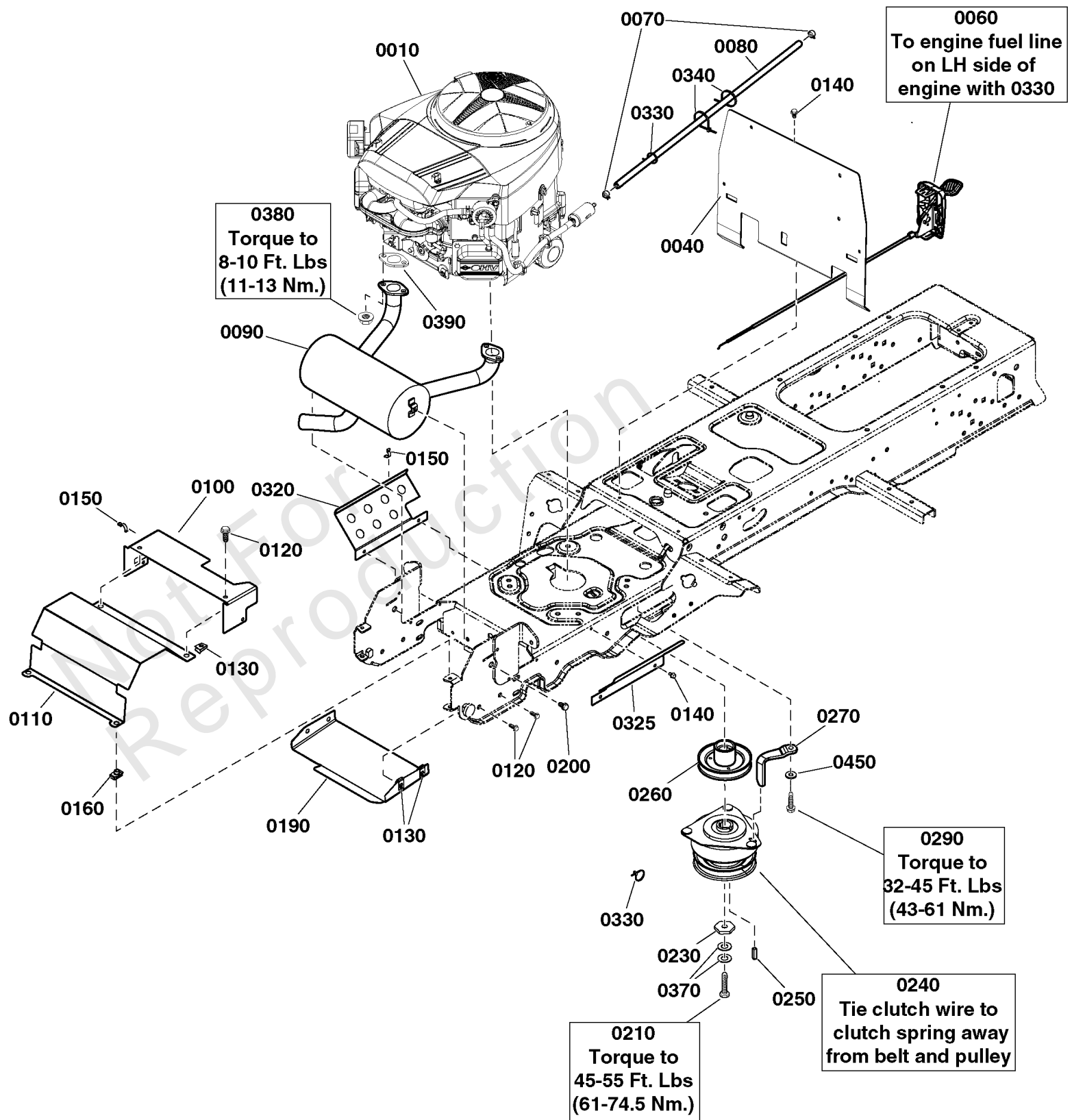
REF NO	PART NO	QTY	DESCRIPTION
0010	84003739	1	HARNESS, Main

Not For Reproduction

Engine Group - 25 Gross HP Briggs & Stratton

Note: Unless noted otherwise, use the standard torque specifications

Mfg. No: 2691678-00



Engine Group - 25 Gross HP Briggs & Stratton

REF NO	PART NO	QTY	DESCRIPTION
0010	49C877-0004-G1	1	* ENGINE, 25 Gross HP Briggs & Stratton -(Engine Model: 49C877-0004-G1)
0040	1755854AYP	1	FIREWALL, Engine
0060	1754915YP	1	THROTTLE
0070	93053B	2	CLAMP, Hose
0080	199086X46YP	1	HOSE, Fuel
0090	1760802YP	1	MUFFLER
0100	1722390ASM	1	DUCT-MUFFLER EXT-BLAC
0110	1722389ASM	1	DUCT-MUFFLER TOP-BLAC
0120	1960295SM	6	CAPSCREW, Hex Flange, Whiz Lock, 1/4-20 x 5/8
0130	1960368SM	6	NUT, Speed Lug Type, 1/4-20
0140	1927428SM	8	CAPSCREW, Hex Washer Head Taptite, 1/4-20 x 3/8
0150	703176	2	CLIP, Wire
0160	1935255SM	2	NUT, SPEED, 5/16-18 L
0170	5025299X4SM	2	SCREW, ALLEN HEAD 1/4-20 X .500 ZINC PHOS
0180	703233	2	NUT, 1/4-20, GR5
0190	1722414ASM	1	SHIELD, Muffler Bottom
0200	1924856SM	2	SCREW, Hex Washer Head, Taptite, 5/16-18 x 1/2
0210	771023	1	CAPSCREW, Hex Head, Loctite, 7/16-20 x 3 1/2
0230	1708264SM	1	WASHER, HEX, 0.453ID
0240	1736105SM	1	CLUTCH, ELECTRIC
0260	1732576SM	1	PULLEY & HUB ASSEMBLY, Engine
0270	1737421AYP	1	GUIDE, Belt
0290	704010	4	SCREW, HEX, 3/8-16
0320	84004681	1	SHIELD, RH
0325	1722392ASM	1	SHIELD, Side, Heat
0330	2832747SM	2	TIE, Self Locking, 3-5/8 LG
0340	703586	1	TIE, SELF LOCKING
0370	1960769YP	2	WASHER, Belleville
0380	690941	1	NUT
0390	593676	1	GASKET SET, Engine
0450	703878	1	WASHER, FLAT

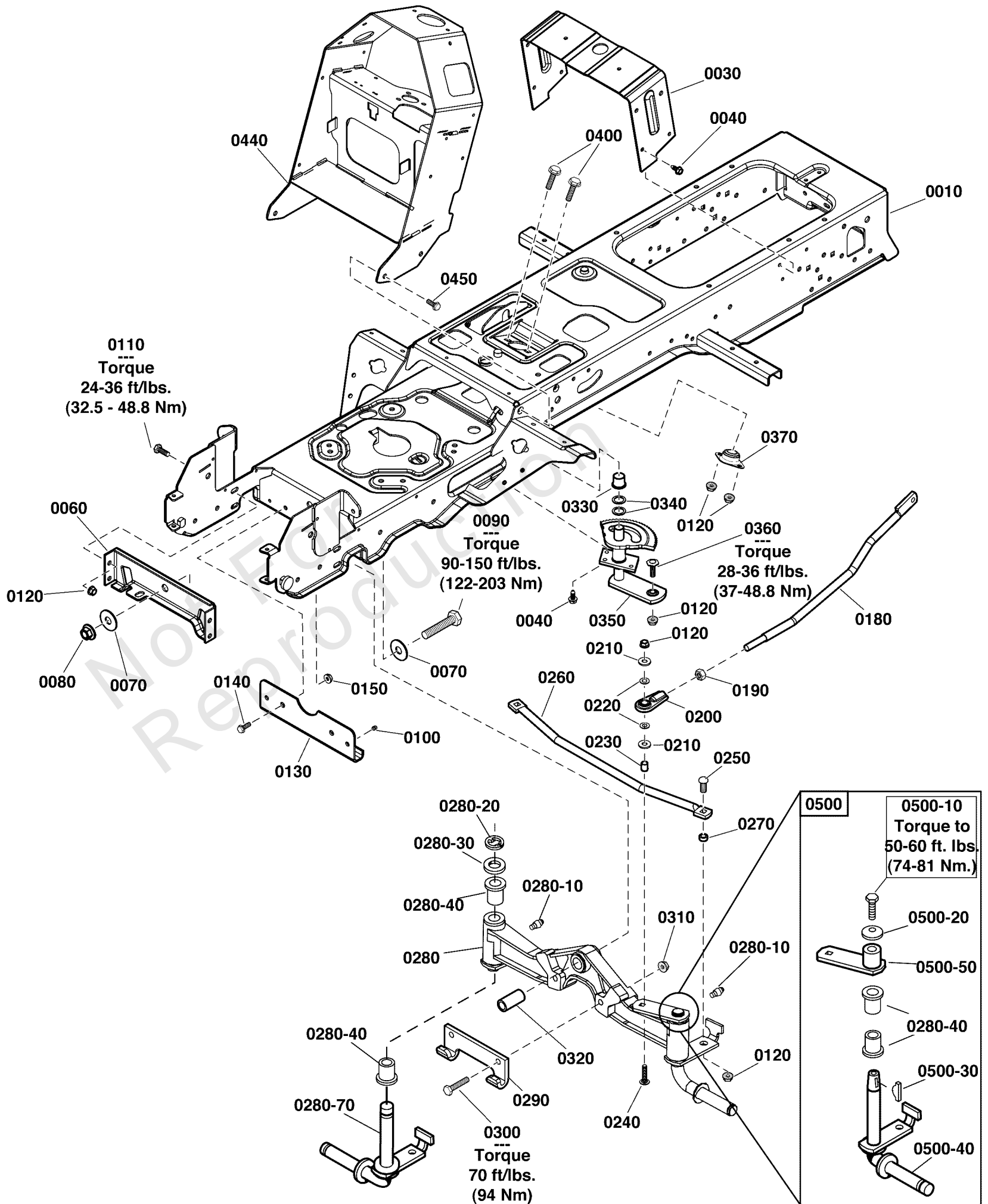
Footnotes:

Note:* To verify your specific engine model, please reference the ID Tag located on your engine. See your local Briggs & Stratton distributor for parts and service.

Frame & Front Axle Group

Note: Unless noted otherwise, use the standard torque specifications

Mfg. No: 2691678-00



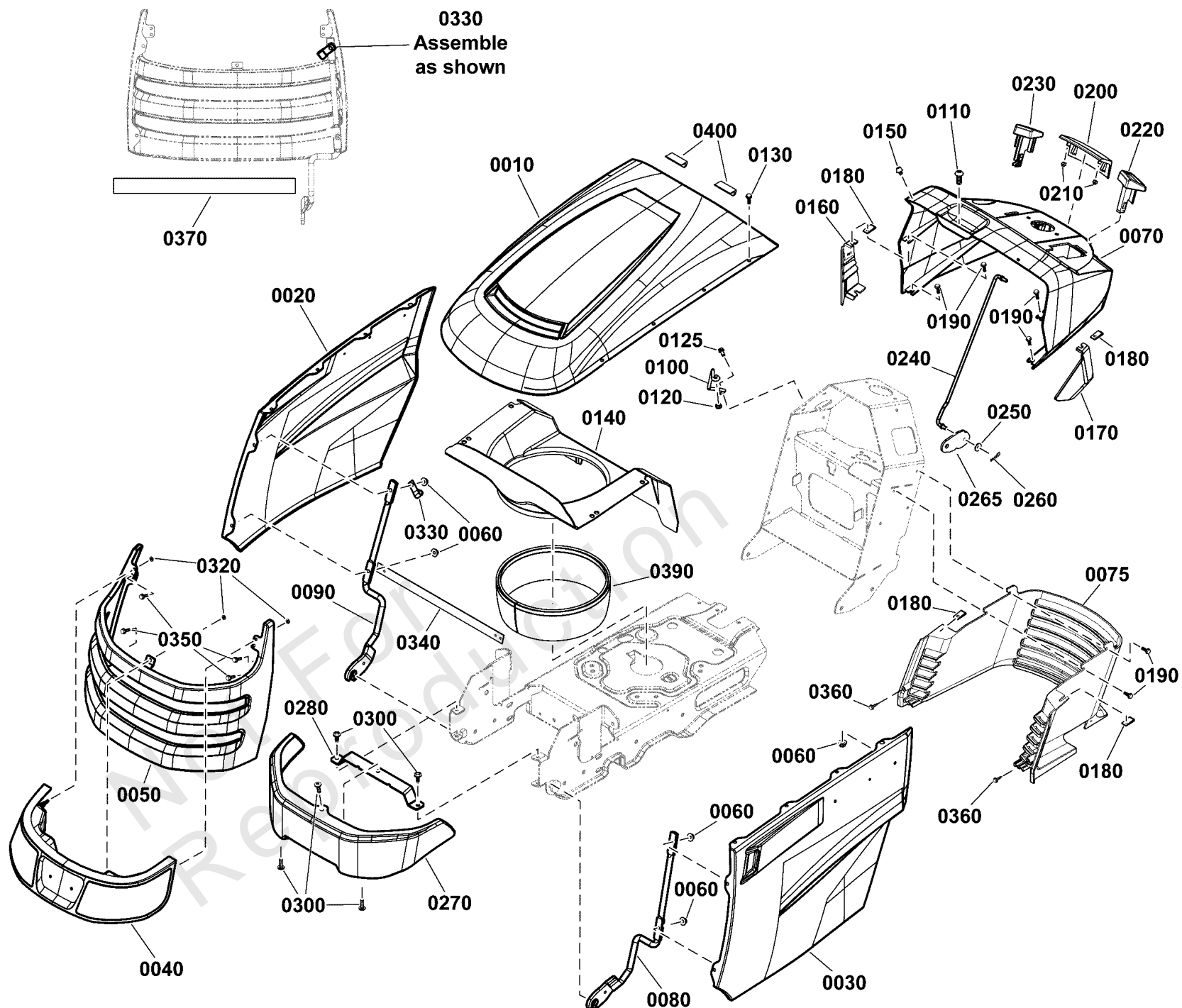
Frame & Front Axle Group

REF NO	PART NO	QTY	DESCRIPTION
0010	-----	1	FRAME -(Not a serviceable part)
0030	1752878AYP	1	SUPPORT, Seat Deck
0040	703228	6	SCREW, 5/16-18 X .75
0060	1722212ASM	1	PLATE-AXLE SUPPORT-BL
0070	1960035SM	2	WASHER-0.625(0.64IDX1
0080	2860646SM	1	NUT, Hex Flange, Two Way Lock, 5/8-11
0090	2860645SM	1	CAPSCREW, Hex Head, 5/8-11 x 3-1/2, GR5
0100	2821133SM	2	FITTING, Lube
0110	1933260SM	4	BOLT, Serrated Flange, 3/8-16 x 3/4, GR5
0120	1930645SM	10	NUT, Hex Flange, Two Way Lock, 3/8-16
0130	1724801ASM	1	PLATE, Axle Wear
0140	1930591SM	2	SCREW, Hex Flange, Whiz Lock, 5/16-18 x 3/4
0150	1931277SM	2	NUT, Hex Flange, Whiz Lock, 5/16-18
0180	1722541SM	1	LINK, Drag
0190	1919262SM	1	NUT, Hex Jam, 1/2-20
0200	1702779SM	1	JOINT-BALL .500-20 TH
0210	704128	2	WASHER
0220	1960103SM	2	WASHER, 3/8"
0230	1708236SM	1	SPACER, 0.377 x 1/2 x 5/8"
0240	703858	1	BOLT, 3/8-16X1.75
0250	1931350SM	2	BOLT, RD HD SH SQ NK
0260	1722626ASM	1	TIE ROD
0270	1611705SM	2	SPACER-0.385IDX0
0280	1722200ASM	1	AXLE ASSEMBLY, w/ LH Spindle, Complete
0280-10	1704314SM	3	LUBE FITTING, .250 DR
0280-20	2832577SM	1	RING, Retainer
0280-30	703149	1	WSHR
0280-40	1721682SM	6	BUSHING, 1 ID x 1-1/4 OD x 3/4"
0280-70	1722199SM	1	SPINDLE ASSEMBLY, RH
0290	1721918ASM	1	HOOK, Mower Hitch
0300	1927531SM	2	CAPSCREW-HEX HD 7/16-
0310	1930650SM	2	NUT-HEX FLANGE 7/16-1
0320	1721752SM	1	SPACER, 5/8 x 1 x 2"
0330	2176440SM	1	BUSHING-0.765IDX
0340	703151	2	WSHR
0350	1724470ASM	1	STEERING GEAR ASSEMBLY
0360	1960032SM	1	SCREW, Hex Head, 3/8-16 x 1 1/4
0370	1722459SM	1	BEARING, 3/4 x 1-11/16 x 13/16, 3" Long Housing
0400	703407	2	SCREW
0440	84003958	1	TOWER
0450	703950	4	SCREW, 3/8-16X.75
0500	1686985SM	1	SPINDLE REPLACEMENT K
0500-10	2823485SM	1	CAPSCREW, 3/8-16 x 7/8, GR8
0500-20	1663151SM	1	WASHER, Spring, 3/8
0500-30	2830671SM	1	KEY, Woodruff
0500-40	1724264SM	1	SPINDLE, LH
0500-50	1725112SM	1	HUB & ARM ASSEMBLY

Hood, Grille & Dash Group

Note: Unless noted otherwise, use the standard torque specifications

Mfg. No: 2691678-00



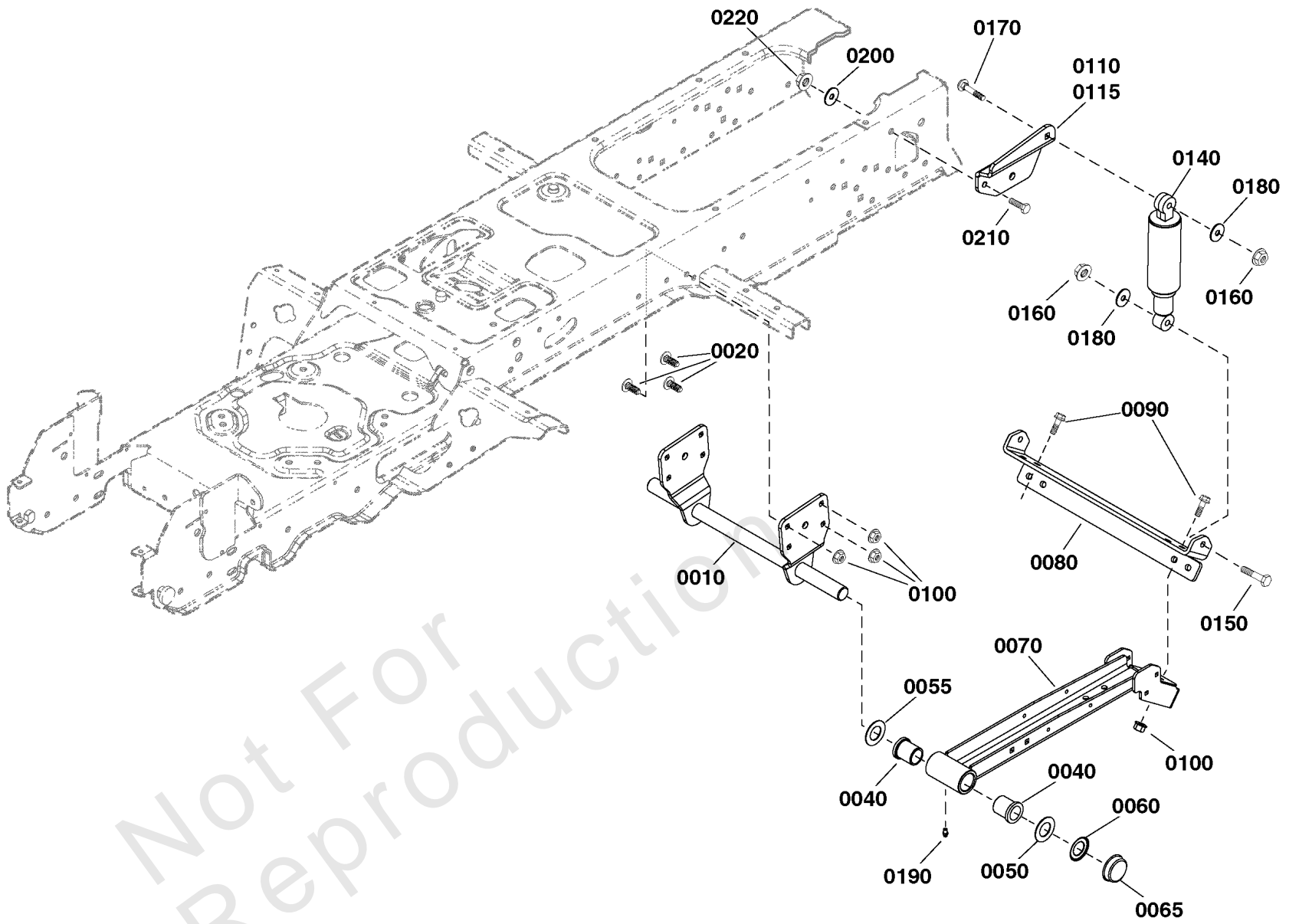
Hood, Grille & Dash Group

REF NO	PART NO	QTY	DESCRIPTION
0010	1754921CYP	1	HOOD, Top
0020	1754925CYP	1	PANEL, Side, RH
0030	1754924CYP	1	PANEL, Side, LH
0040	1754936YP	1	HEADLIGHT ASSEMBLY (LED)
0050	1754922CYP	1	GRILLE, Front
0060	1930641SM	12	NUT, Hex Flange, Whiz Lock, 1/4-20
0070	84003728	1	DASH, Upper
0075	1754859YP	1	DASH, Lower
0080	1755578YP	1	HOOD HINGE ASSEMBLY, LH
0090	1755577YP	1	HOOD HINGE ASSEMBLY, RH
0100	84003727	1	ROD, Dash Support
0110	770135	1	SCREW
0120	703463	1	NUT, GR5, 1/4-20
0125	704130	1	SCREW, HEX, 1/4-20X.5
0130	1960295SM	8	SCREW, Hex Flange, Whiz Lock, 1/4-20 x 5/8
0140	7102326YP	1	AIR DUCT, Plenum
0150	1755815YP	2	BUMPER, Rubber
0160	1755223YP	1	GUIDE, Hood, RH
0170	1755224YP	1	GUIDE, Hood, LH
0180	1926018SM	4	NUT, Speed, 1/4
0190	703054	8	SCREW, 1/4-20X0.625
0200	1754918YP	1	TRIM
0210	703582	2	CLIP, Panel
0220	1755457YP	1	PLUG, Dash Knob
0230	1754862YP	1	KNOB, Parking Brake
0240	1755594YP	1	ROD, Parking Brake
0250	1921319SM	1	WASHER, 184
0260	1722460SM	1	PIN, Quick, 1.19"
0265	1755598AYP	1	LATCH, Parking Brake
0270	1754923AYP	1	BUMPER
0280	1755506AYP	1	SUPPORT, Front Bumper
0300	703228	5	SCREW, 5/16-18 X .75
0320	1960521SM	3	NUT, Push
0330	7012652YP	2	CLIP, Wire, 7/16
0340	1756204AYP	1	STRIP, Hood Support
0350	1960611SM	4	SCREW-HEX WZ LOCK FL
0360	1960536SM	2	SCREW, HEX WSHR HD PL
0370	1758731YP	1	INSULATION, 2 x 12 1/2
0390	84004638	1	SEAL, Hood Shroud
0400	84004684	1	SEAL, Edging

Rear Suspension Group

Note: Unless noted otherwise, use the standard torque specifications

Mfg. No: 2691678-00



Not For
Reproduction

Rear Suspension Group

REF NO	PART NO	QTY	DESCRIPTION
0010	84004261	1	CARRIER SUPPORT
0020	1931334SM	6	BOLT, Carriage, Short Neck, 5/16-18 x 7/8, GR 5
0040	5021541SM	4	BUSHING, FLANGE
0050	703199	2	WASHER, 1
0055	84004830	2	WASHER, 1"
0060	703200	2	PUSHNUT
0065	094618MA	2	HUB CAP
0070	84004828	2	CARRIER ARM ASSEMBLY
0080	1754642AYP	1	BRACKET, Support, Rear Swing Arm
0090	703410	8	BOLT,5/16-18X1
0100	1960686SM	14	NUT, Hex Flange Nylock, 5/16-18
0110	1754646AYP	1	BRACKET, Shock Mount, RH -(Not Shown)
0115	1755430AYP	1	BRACKET, Shock Mount, LH
0140	1755531YP	2	*ABSORBER, Shock
0140	1758705YP	2	SHOCK ABSORBER, 10.5"
0150	1921971YP	4	CAPSCREW, Hex Head, 3/8-16 x 1-3/4 GR5
0160	1960687SM	2	NUT, Hex Flange Nylock, ESNA, 3/8-16
0170	1931353SM	4	BOLT, Carriage, Short Neck, 3/8-16 x 1-3/4, G5
0180	5025165SM	2	WASHER, 3/8" FENDER
0190	1704314SM	2	LUBE FITTING, .250 DR
0200	704128	2	WASHER
0210	703407	2	SCREW
0220	703793		LOCKNUT

Footnotes:

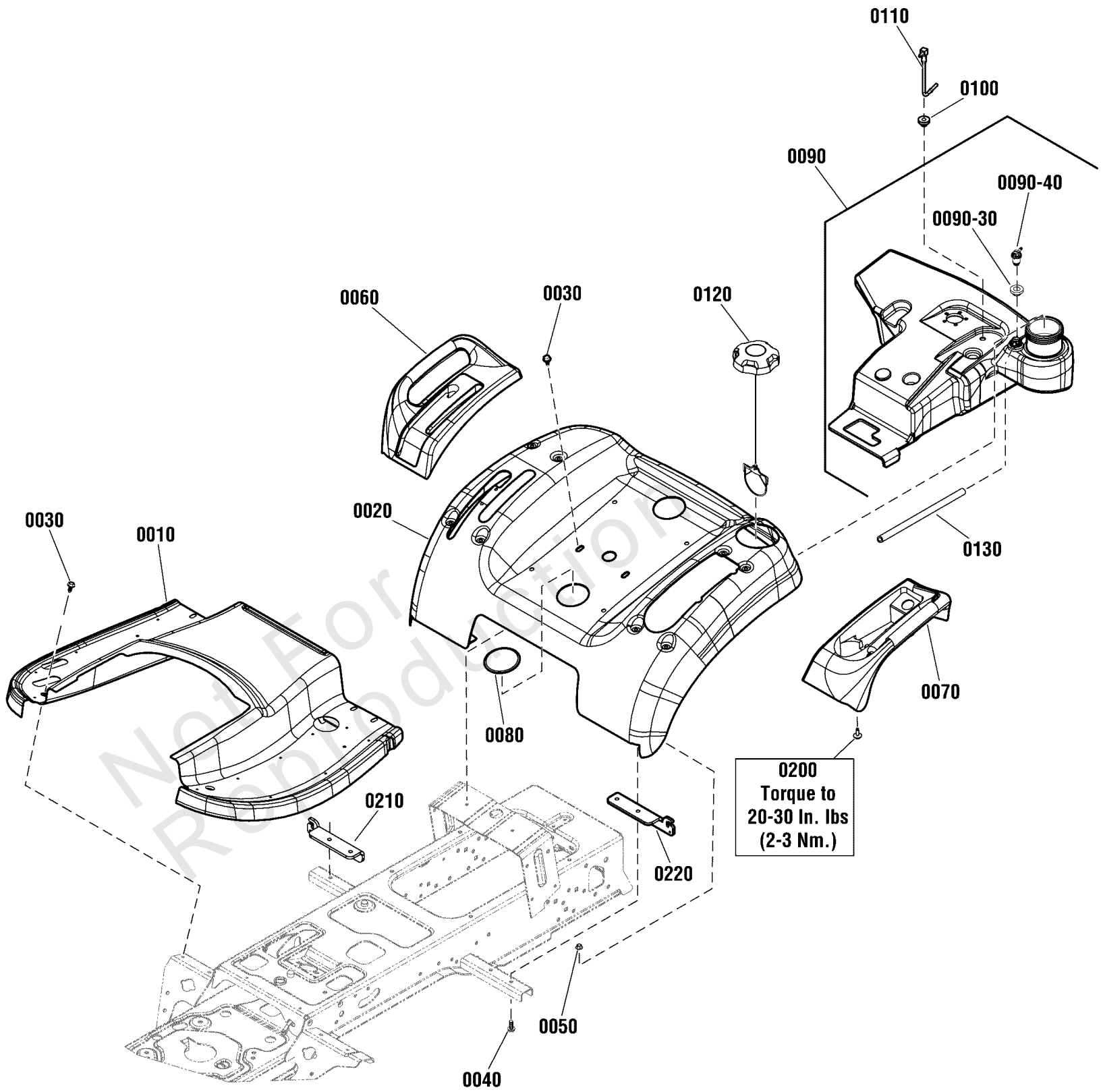
Note:** Spring Rate 160lbs / 59.7kg +/- 10lbs / 3.7kg

Note:* Spring Rate 125lbs / 46.7kg +/- 10lbs / 3.7kg

Seat Deck Group

Note: Unless noted otherwise, use the standard torque specifications

Mfg. No: 2691678-00



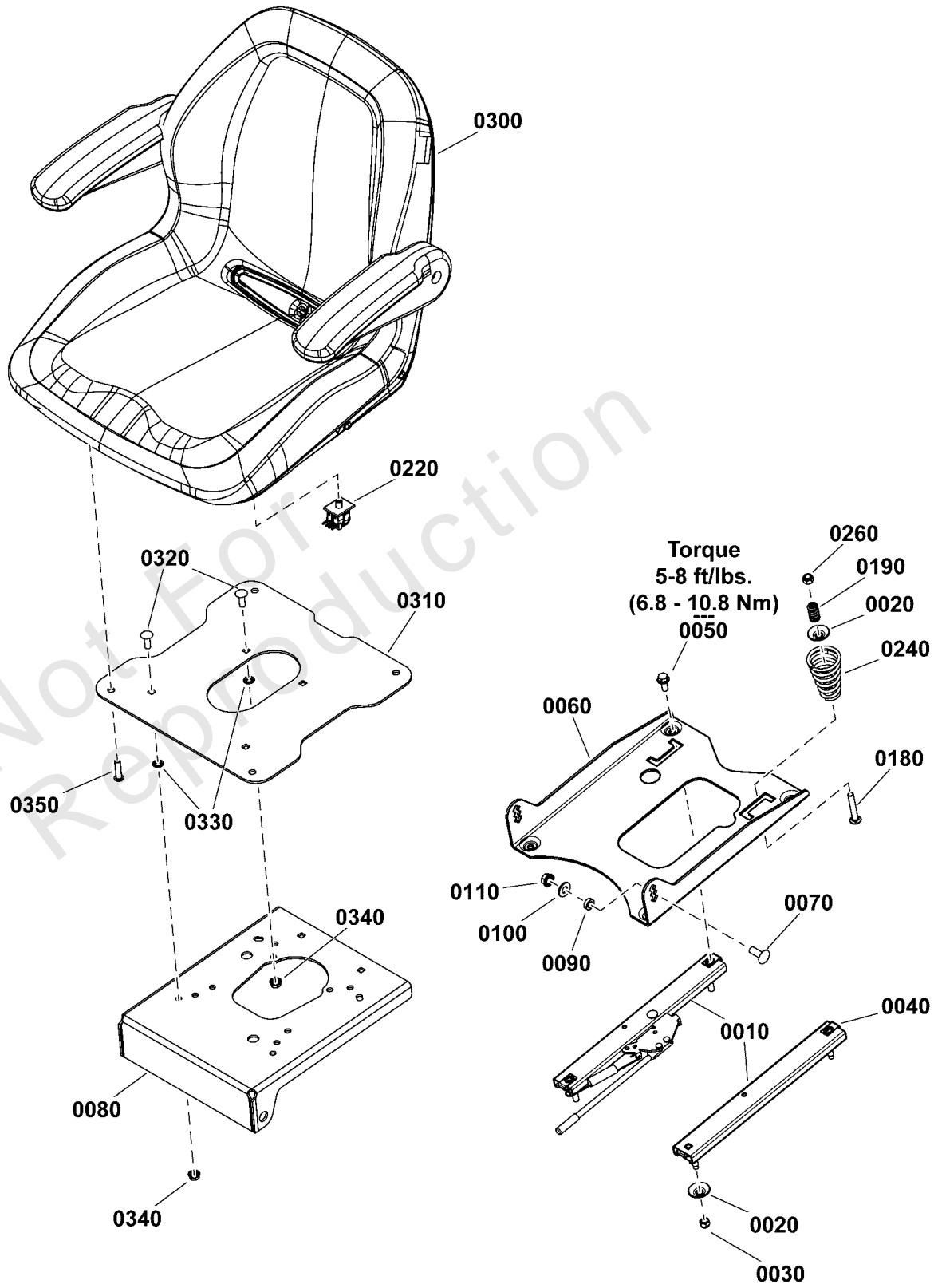
Seat Deck Group

REF NO	PART NO	QTY	DESCRIPTION
0010	1722105CSM	1	TUNNEL
0020	1722106CSM	1	DECK, Seat
0030	703949	4	SCREW, 5/16-18.625
0040	1930595SM	4	SCREW, Hex Flange, Whiz Lock, 5/16-18 x 1 1/4
0050	1931277SM	4	NUT, Hex Flange, Whiz Lock, 5/16-18
0060	1722108SM	1	POD, RH
0070	1729711SM	1	POD, With Cup Holder, LH
0080	1722309SM	1	PLUG, Hole
0090	1751622YP	1	TANK, Fuel
0090-30	799624	1	GROMMET
0090-40	7104638YP	1	REMOTE VENT ASSY, No Valve
0100	1654930SM	1	BUSHING, Fuel Tank
0110	1757609YP	1	TUBE, FUEL PICKUP
0120	1759036YP	1	FUEL CAP
0130	708734	1	HOSE, Vapor
0200	2860664SM	8	SCREW, HEX SEMS WSHR,
0210	1727102ASM	1	HANGER, RH
0220	1727103ASM	1	HANGER, LH

Seat Group

Note: Unless noted otherwise, use the standard torque specifications

Mfg. No: 2691678-00



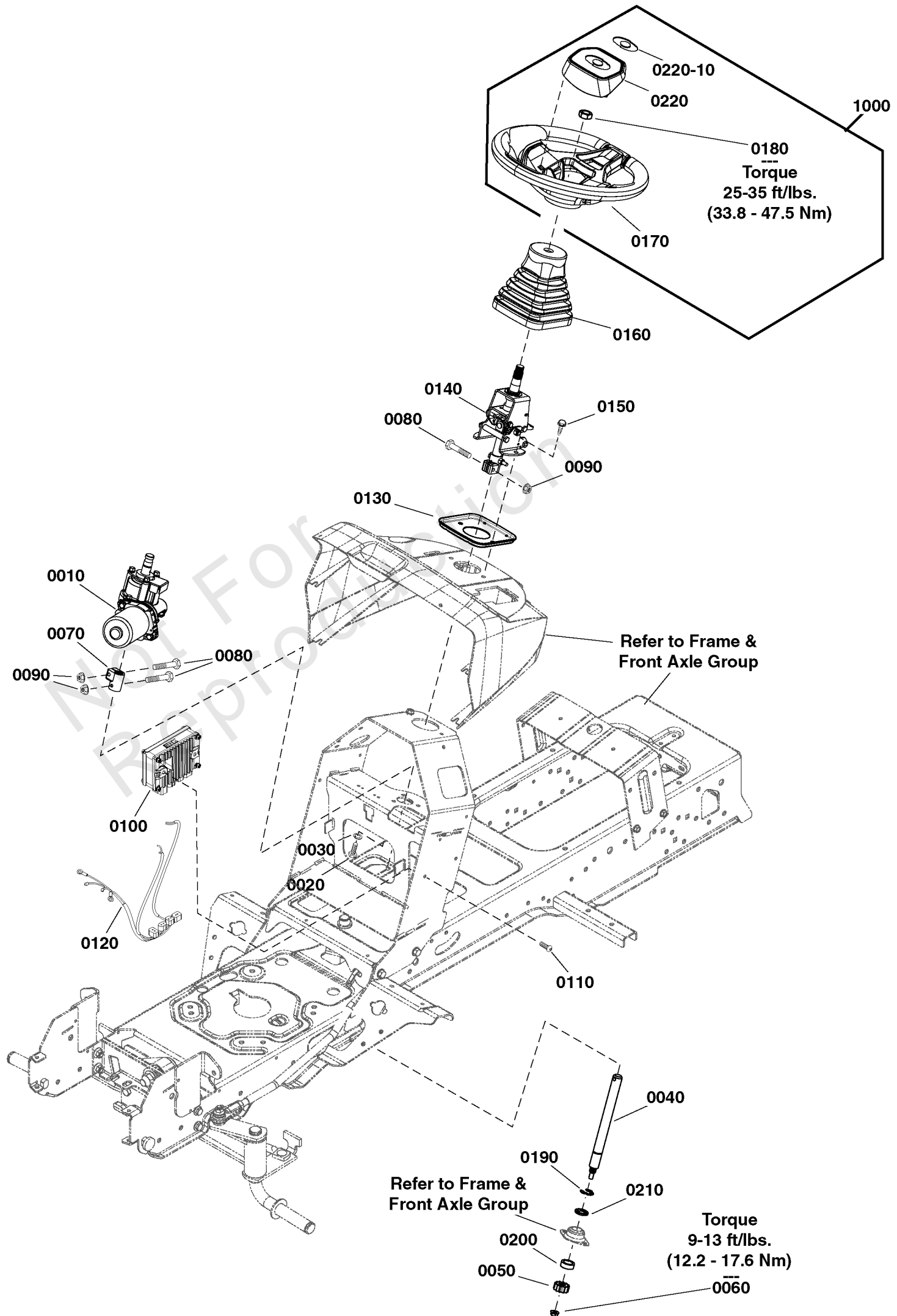
Seat Group

REF NO	PART NO	QTY	DESCRIPTION
0010	1722356SM	1	SLIDE-SEAT VIPER (2 PC SEAT)
0020	1709256SM	6	WASHER, Spring, 5/16 x 1 1/4
0030	703902	4	NUT, HEX, 5/16-18
0040	1935255SM	4	NUT, SPEED, 5/16-18 L
0050	703354	4	SCREW, 5/16-18
0060	1722128ASM	1	SUPPORT, Seat
0070	703815	2	BOLT, RD SQ 3/8-16X1
0080	1755623AYP	1	BRACKET, Seat Support
0090	1663752SM	2	SPACER, 25/64 x 5/8 x 3/16
0100	703878	2	WASHER, FLAT
0110	776060MA	2	Pin, Hanger
0180	704035	2	BOLT, CRRG, 5/16-18X2
0190	1714263SM	2	SPRING, Compression
0220	5101280YP	1	SWITCH, LOW PROF, NC/
0240	1717051SM	2	SPRING, Seat
0260	703115	2	NUT
0300	84003734	1	SEAT
0310	84003735	1	ADAPTER
0320	704065	4	BOLT, 5/16-18X.875
0330	703297	4	RETAINER, GR5, 5/16
0340	703409	4	NUT, 5/16-18, GR5
0350	703172	4	SCREW

Steering Group - Power Steering with Tilt

Note: Unless noted otherwise, use the standard torque specifications

Mfg. No: 2691678-00



Steering Group - Power Steering with Tilt

REF NO	PART NO	QTY	DESCRIPTION
0010	84003790	1	POWER STEERING ASSEMBLY
0020	84004772	3	CAPSCREW, Hex Head, M8-1.25 x 18mm
0030	703116	3	LCKWSHR
0040	84003779	1	SHAFT
0050	1761013YP	1	GEAR, Pinion
0060	703115	1	NUT
0070	84003758	1	COUPLING
0080	703234	3	CAPSCREW, 1/4-20X1.5
0090	703463	3	NUT, GR5,1/4-20
0100	84003760	1	CONTROLLER
0110	84004773	2	CAPSCREW, Button Head
0120	84003766	1	HARNESS
0130	84003729	1	PLATE, Steering Mount
0140	84004824	1	STEERING, Tilt
0150	704146	2	SCREW, HEX, 5/16-18X1
0160	1754814YP	1	BELLOWS
0170	-----	1	STEERING WHEEL -(Refer to Note: *)
0180	1960576SM	1	NUT, Hex Lock, ESNA Light, 5/8-18
0190	1611710SM	1	RING, Klipring, For 3/4 Dia. Shaft
0200	1722461SM	1	SPACER, 3/4 x 1-1/16 x 3/8, Powder Metal
0210	706388	1	SPACER, .766 x 1.06 x 1/8
0220	84003162	1	CAP, Steering Wheel, Simplicity
0220-10	1755843YP	1	DECAL, Logo, Steering Wheel
1000	84001122		KIT, Steering Wheel, Simplicity -(Incl. Ref. Nos. 0170, 0180, 0220 & 0220-10)

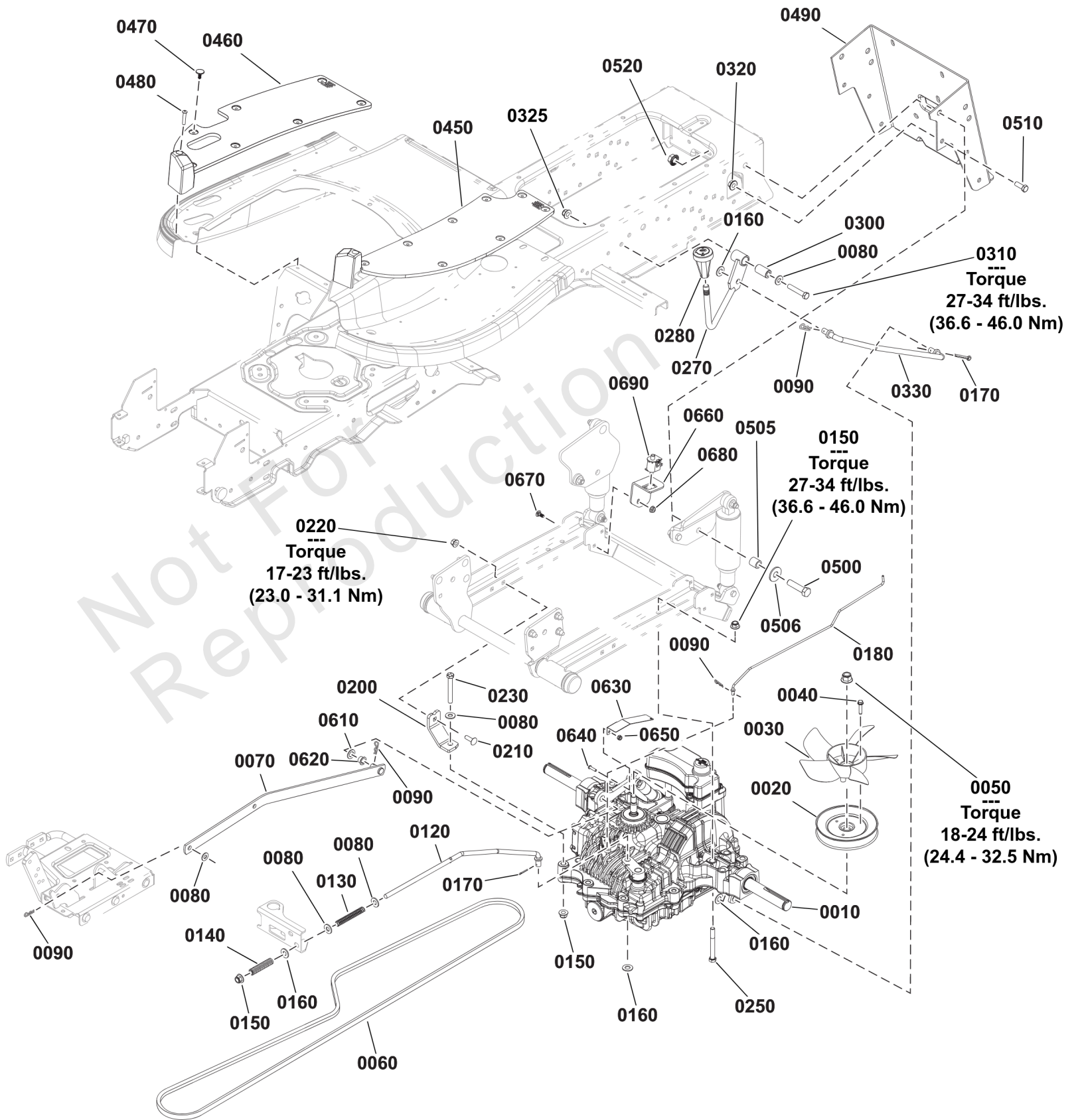
Footnotes:

Note:* Not a serviceable part.

Transmission Group

Note: Unless noted otherwise, use the standard torque specifications

Mfg. No: 2691678-00



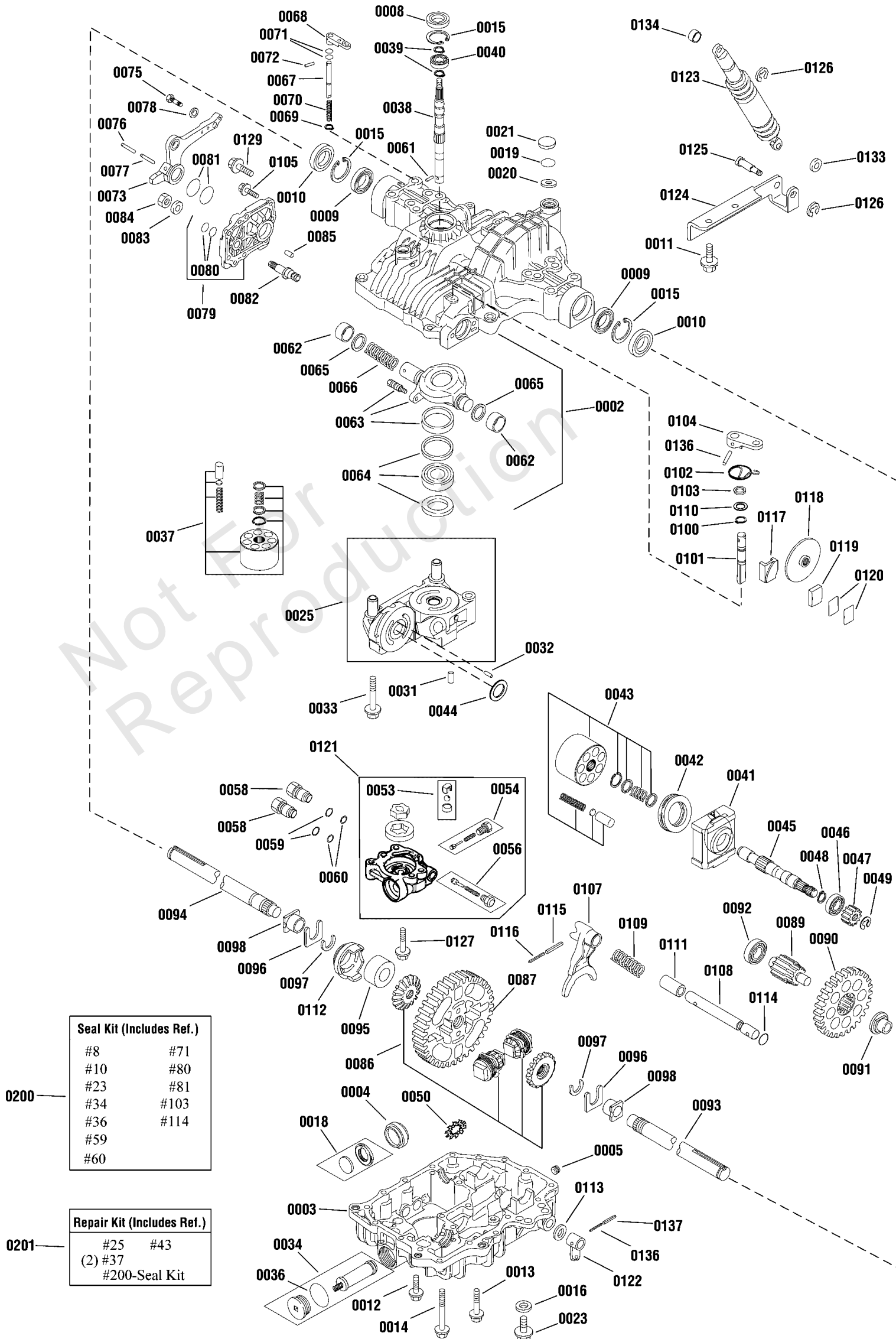
Transmission Group

REF NO	PART NO	QTY	DESCRIPTION
0010	84003712	1	TRANSMISSION
0020	1722194SM	1	PULLEY & HUB ASSEMBLY, Transmission
0030	1719233SM	1	FAN, 5 Blades, Nylon, 3-Holes
0040	1933958SM	3	CAPSCREW, Hex Washer Head, Taptite, 1/4-20 x 1-1/4
0050	1722517SM	1	NUT, Hex Flange, M12-1.75, Nylon Insert
0060	1721393SM	1	V-BELT HA 94.45
0070	1756169AYP	1	TRANSMISSION CONTROL ARM ASSEMBLY
0080	703878	6	WASHER, FLAT
0090	703430	4	PIN, 13X1.19
0120	84003888	1	ROD, BRAKE
0130	1722684SM	1	SPRING, Compression, 3-1/4" Long, Black
0140	1729277SM	1	SPRING, Composite, 3-5/8
0150	703158	6	NUT, Hex Flange, 3/8-16
0160	703183	3	WASHER, 7/16 ID X.065
0170	703312	2	PIN, COTTER, 3/32X.75
0180	84004274	1	ROD
0200	1754649AYP	1	BRACKET, Torque, K72 (Suspension)
0210	703800	1	BOLT, CRRG, 5/16-18X1
0220	703115	1	NUT
0230	703133	1	HHCS,3/8-16X2.750
0250	703182	4	HHCS, 3/8-16 X 3.500
0270	1721360AYP	1	PEDAL ASSEMBLY
0280	1716289SM	1	KNOB, Hole, 1/2 x 1-3/4, 2-11/16
0300	1756612YP	1	BUSHING, DIFF. LOCK
0310	703589	1	CAPSCREW, 3/8-16X2
0320	5025128SM	2	NUT, 3/8-16 HEX SERRA
0325	5025394SM	1	NUT, 3/8-16 HEX NYLOCK
0330	1755431YP	1	ROD, Diff Lock
0450	1755643YP	1	PAD, LH, Foot Rest With Diff Lock
0460	1755642YP	1	PAD, Foot Rest, RH
0470	1704351SM	15	FASTENER, Panel, 3/4 OD x 11/16
0480	1960676SM	2	SCREW, Pan Head Torx Taptite, 1/4-20 x 1-1/4, Black
0490	1755742AYP	1	PLATE, BACK, HITCH
0500	5025017X16YP	2	BOLT, 1/2-13 X 2 GD5
0505	703450	2	SPACER
0506	704011	2	WASHER, .562IDX1.375OD
0510	703407	2	SCREW
0520	703918	2	NUT, HEX FLNG, 1/2-13
0610	703128	1	WASHER
0620	1722648SM	1	BEARING, 1/2 x 9/16 x 11/32, Nylon
0630	1755940AYP	1	ACTUATOR, Switch
0640	1960589SM	2	SCREW, Round Head Phillips, #10-24 x 3/4
0650	703412	2	NUT, NYLOCK, 10-24
0660	84007980	1	BRACKET, RMO Switch
0670	1960252SM	2	BOLT-RD HD SH SQ NK 1
0680	703233	2	NUT, 1/4-20, GR5
0690	1732004SM	1	SWITCH-PUSH BUTTON

Transmission SERVICE PARTS - Tuff Torq K72H with Diff Lock (1755006)

Note: Unless noted otherwise, use the standard torque specifications

Mfg. No: 2691678-00



Transmission SERVICE PARTS - Tuff Torq K72H with Diff Lock (1755006)

REF NO	PART NO	QTY	DESCRIPTION
0002	-----	1	*UPPER HOUSING
0003	-----	1	*LOWER HOUSING
0004	1720759SM	1	BORE PLUG 17
0005	-----	1	PLUG, Oil
0008	-----	1	SEAL -(Order Seal Kit)
0009	1720783SM	2	BEARING
0010	1720784SM	2	SEAL
0011	1720785SM	2	SCREW, Tapping, 8 x 25
0012	1707789SM	18	SCREW, Tapping
0013	1720786SM	1	SCREW, Tapping, 8 x 45
0014	1718226SM	2	BOLT, 8 x 75"
0015	1720787SM	3	RING, 47
0016	1720796SM	1	WASHER, Seal 10 -(Order Seal Kit)
0018	1718065SM	1	MAGNET COMPLETE
0019	-----	1	*Magnet
0020	-----	1	*Magnet Holder
0021	-----	1	*Seling Cap
0023	1720788SM	2	BOLT, 10 x 12
0025	-----	1	*CENTER CASE, Complete
0031	1720804SM	2	PIN, 8 x 14
0032	1718070SM	1	PIN, 3 x 9.8
0033	1720805SM	3	BOLT, 10 x 75
0034	1687472YP	1	KIT, OIL FILTER
0036	-----	1	O-RING
0037	-----	2	*CYLINDER BLOCK, Complete
0038	1723782SM	1	PUMP SHAFT
0039	1720811SM	2	RING, 17
0040	1720812SM	1	BEARING, 6303
0041	-----	1	*HOUSING
0042	1720814SM	1	BEARING
0043	-----	1	*CYLINDER BLOCK, Complete
0044	-----	1	WASHER, 18 x 31 x 1
0045	-----	1	*SHAFT MOTOR
0046	1720819SM	1	BEARING 6004 SH2 U
0047	-----	1	MOTOR GEAR
0048	1720821SM	1	SNAP RING, 20
0049	-----	1	RING, E12
0050	-----	1	*CIRCLIP
0053	1720824SM	1	VALVE, Check
0054	-----	1	*VALVE, Implement Relief
0056	-----	1	*VALVE, Charge Complete
0058	1720829SM	2	CONNECTOR
0059	1723773SM	2	O-RING -(Order Seal Kit)
0060	1720831SM	2	PACKING -(Order Seal Kit)
0061	1720832SM	1	PIN, 3.2 x 21

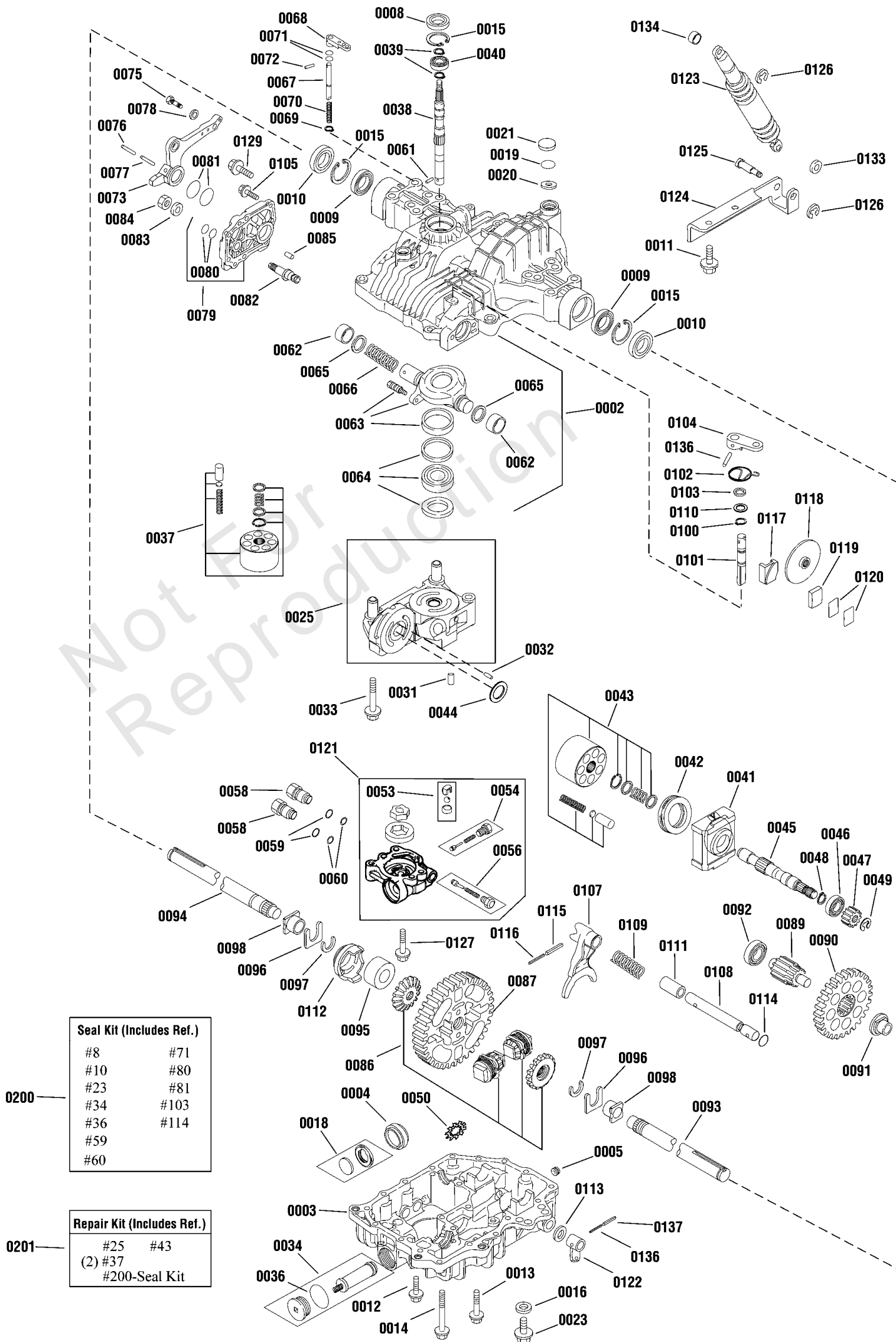
Footnotes:

Note:* See your local authorized dealership for parts and wa

Transmission SERVICE PARTS - Tuff Torq K72H with Diff Lock (1755006)

Note: Unless noted otherwise, use the standard torque specifications

Mfg. No: 2691678-00



Transmission SERVICE PARTS - Tuff Torq K72H with Diff Lock (1755006)

REF NO	PART NO	QTY	DESCRIPTION
0062	-----	2	BUSHING
0063	1723781SM	1	SWASH PLATE COMPLETE
0064	-----	1	*BEARING COMPLETE
0065	1720836SM	2	WASHER
0066	1720837SM	1	SPRING (N/C)
0067	-----	1	*SHAFT (BYPASS)
0068	1720839SM	1	LEVER (BYPASS)
0069	-----	1	RING
0070	1725730SM	1	SPRING
0071	1708691SM	2	O-RING, 1A P10A -(Order Seal Kit)
0072	1707839SM	1	PIN, 3.0A*20
0073	1720840SM	1	CONTROL LEVER
0075	1720841SM	1	BOLT
0076	1720842SM	1	PIN, 6.0A x 50
0077	1720843SM	1	PIN, 3.5A x 50
0078	-----	1	*WASHER, 10
0079	1723784SM	1	SIDE COVER SET, (Includes Ref. Nos. 2, 80 & 81)
0080	1707879SM	2	PACKING, P14 -(Order Seal Kit)
0081	1720846SM	2	PACKING, P28 -(Order Seal Kit)
0082	1720847SM	1	FULCRUM, (ECCENT)
0083	1708689SM	1	WASHER
0084	1708692SM	1	NUT 12
0085	1720848SM	2	PIN, 8 x 16
0086	1723796SM	2	KIT, Diff Gear
0087	1720850SM	1	*FINAL GEAR
0089	-----	1	*SHAFT, (F PINION)
0090	-----	1	*REDUCTION GEAR
0091	-----	1	*BUSHING, 15
0092	-----	1	*BEARING, 6203SH2
0093	1720855SM	1	AXLE SHAFT, Left
0094	1720856SM	1	AXLE SHAFT, Right
0095	-----	1	*COLLAR, (Diff. Lock)
0096	1720858SM	2	THRUST WASHER
0097	1720859SM	2	RING
0098	1720860SM	2	*BUSHING
0100	-----	1	*RING, Snap
0101	-----	1	*SHAFT, Brake
0102	-----	1	*SPRING, (RETURN)
0103	-----	1	*O-RING -(Order Seal Kit)
0104	-----	1	*ARM, (BRAKE)
0105	-----	1	*BOLT
0107	1720794SM	1	FORK, Differential Lock
0108	-----	1	*SHAFT, Differential
0109	-----	1	*SPRING, Differential Lock
0110	-----	1	*WASHER

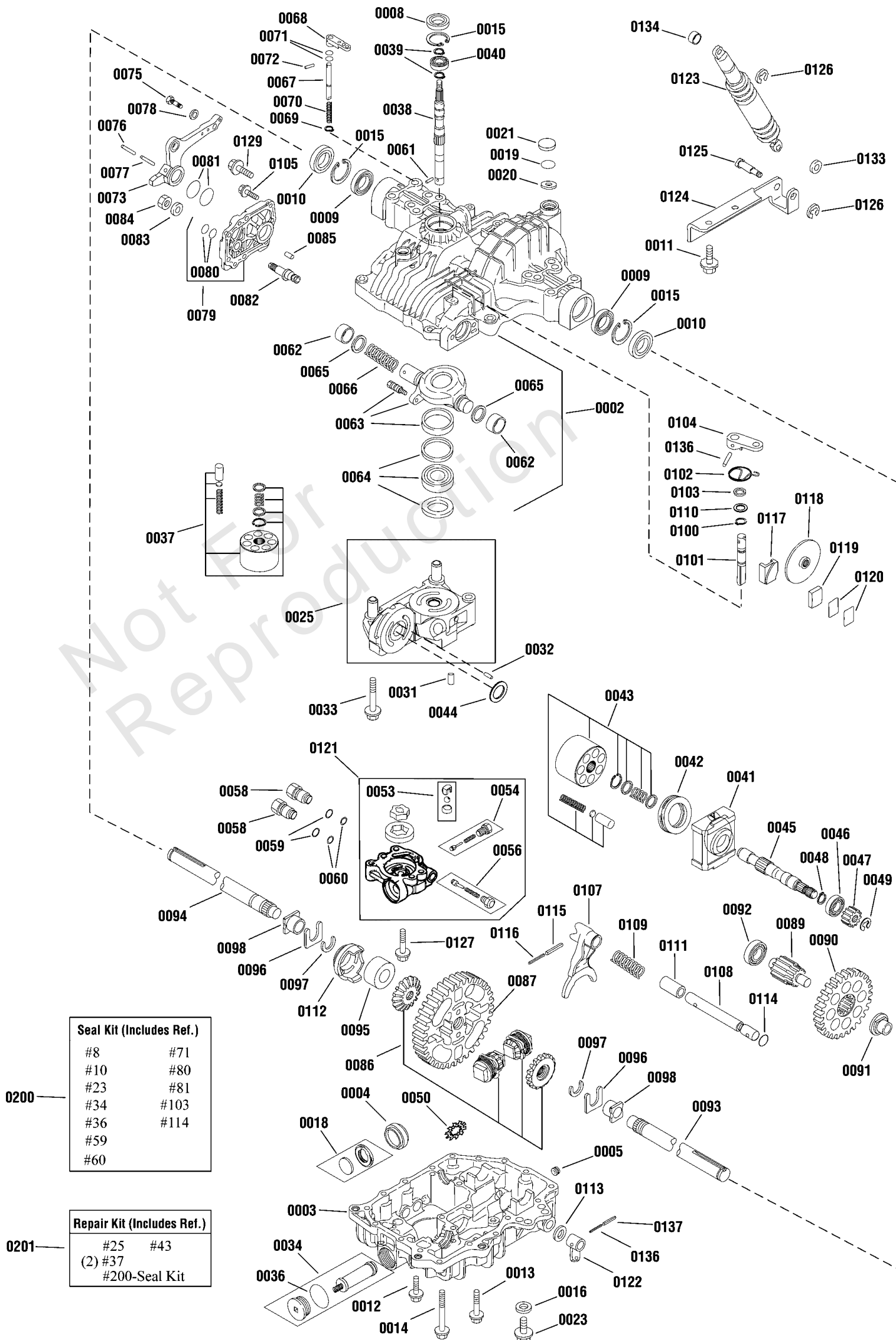
Footnotes:

Note:* See your local authorized dealership for parts and wa

Transmission SERVICE PARTS - Tuff Torq K72H with Diff Lock (1755006)

Note: Unless noted otherwise, use the standard torque specifications

Mfg. No: 2691678-00



Transmission SERVICE PARTS - Tuff Torq K72H with Diff Lock (1755006)

REF NO	PART NO	QTY	DESCRIPTION
0111	1720869SM	1	COLLAR (STOP)
0112	1720870SM	1	SLIDER, (Diff. Lock)
0113	-----	1	*WASHER, 17 x 32 x 3
0114	-----	1	O-RING -(Order Seal Kit)
0115	1707840SM	2	PIN, 6.0A x 32
0116	1707893SM	2	PIN, 3.5A x 32
0117	-----	1	*BRAKE
0118	-----	1	*DISC, Brake
0119	-----	1	*SHOE, BRAKE
0120	-----	1	*SHIM KIT
0121	1720822SM	1	PUMP CASE
0122	1720868SM	1	ARM, Differential Lock
0123	1718039SM	1	SHOCK ABSORBER
0124	1724704SM	1	STAY
0125	1724705SM	1	PIN
0126	-----	1	*E-RING, 8
0127	-----	1	*BOLT, Flange, M8 x 45
0129	-----	2	*BOLT, Flange, M8 x 25
0133	-----	1	WASHER, 8
0134	-----	1	COLLAR, 8 * 12.7
0136	-----	1	ROLL PIN, 6 * 40
0137	-----	1	ROLL PIN, 3.5 * 40
0200	-----	1	SEAL KIT, K71H
0201	-----	1	*KIT, Repair

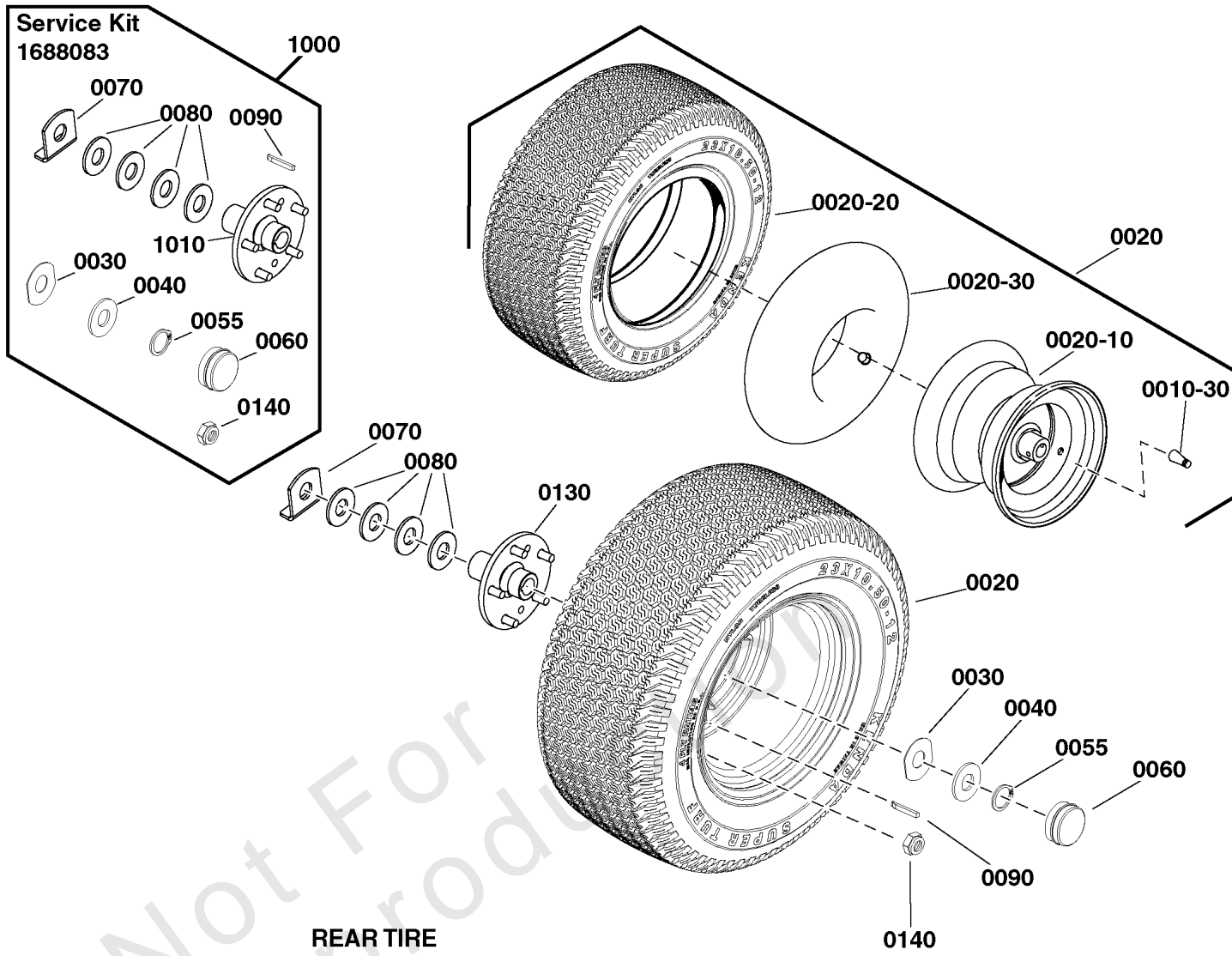
Footnotes:

Note:* See your local authorized dealership for parts and wa

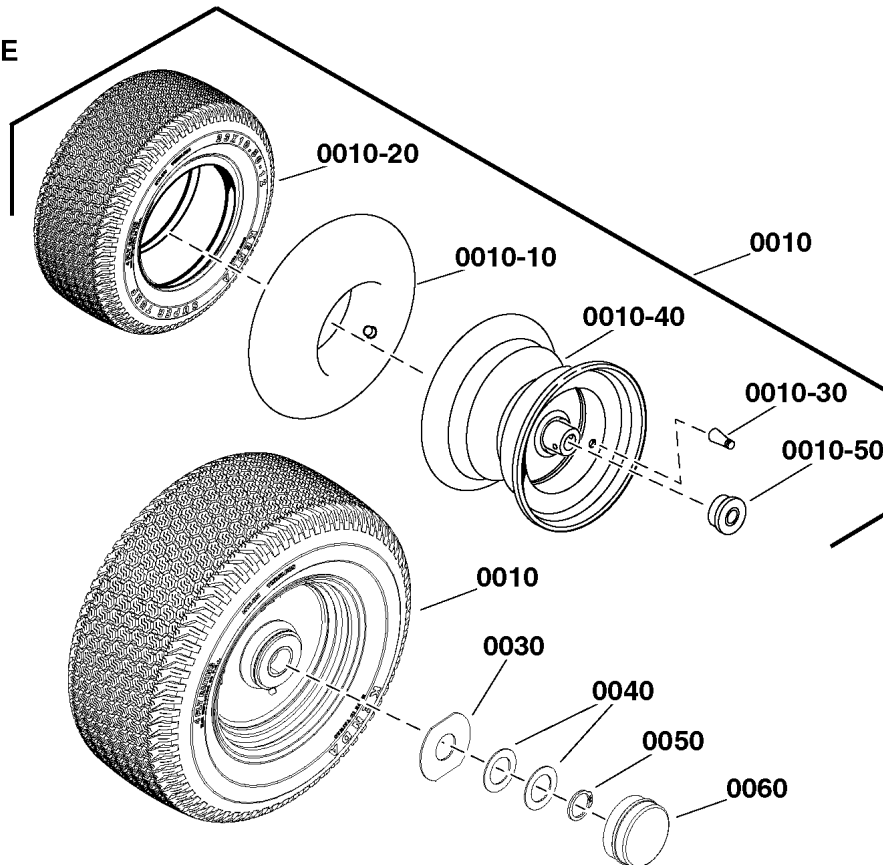
Wheels & Tires Group

Note: Unless noted otherwise, use the standard torque specifications

Mfg. No: 2691678-00



FRONT TIRE



Wheels & Tires Group

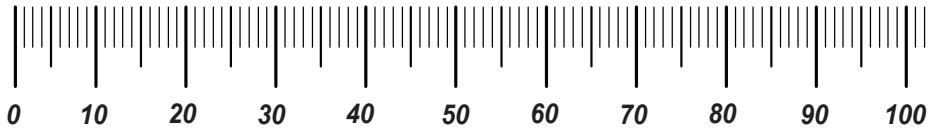
REF NO	PART NO	QTY	DESCRIPTION
0010	1722305SM	2	WHEEL & TIRE ASSEMBLY, Front, (Includes Ref. Nos. 0010-10 through 0010-50)
0010-10	2164247SM	2	TUBE, Tire 16 x 6-1/2 - 8, Front
0010-20	1722833SM	2	TIRE, 16 x 6-1/2 - 8 Super Turf, Front
0010-30	2172353SM	4	VALVE STEM & CAP ASSEMBLY
0010-40	1722834SM	2	WHEEL, w/Bearings, 5 3/8 x 7 15/16, Front
0010-50	1717056SM	4	BEARING, Ball
0020	1755499YP	2	WHEEL & TIRE ASSEMBLY, Rear 23" (Includes Ref. Nos. 0020-10 through 0020-40)
0020-10	-----	2	WHEEL-REAR 12X7.
0020-20	1722830SM	2	TIRE-23 X 10.50-
0020-30	2157638SM	2	TUBE, Tire 23 x 10-1/2 - 12, Rear
0030	1722726SM	4	WASHER, Special, Hub Cap, 1 x 2 1/2
0040	703149	6	WSHR
0050	2834712SM	2	E-RING, Retainer
0055	2832577SM	2	RING, Retainer
0060	1722676SM	4	CAP, Hub
0070	1755855AYP	2	WASHER, Axle Seal
0080	2860200SM	8	WASHER
0090	2105337SM	2	KEY, HI PRO, 1/4 x 2
0130	84003793	2	PLATE & HUB ASSEMBLY, Rear Wheel w/Studs
0140	2177725SM	10	NUT, Hex 7/16-20, For Wheel Bolt
1000	1688083	1	SERVICE KIT, Hub -(Incl. Ref. Nos. 0030, 0040, 0055, 0060, 0070, 0080, 0090, 1010)
1010	84003793	2	PLATE & HUB ASSEMBLY, Rear Wheel w/Studs

Hardware Identification & Torque Specifications

Torque Specification Chart								
FOR STANDARD METRIC MACHINE HARDWARE (Tolerance ± 20%)								
Property Class	5.6		8.8		10.9		12.9	
	Class 5.6		Class 8.8		Class 10.9		Class 12.9	
Size Of Hardware	in/lbs	Nm.	in/lbs	Nm.	in/lbs	Nm.	in/lbs	Nm.
	ft/lbs		ft/lbs		ft/lbs		ft/lbs	
M3	5.88	.56	13.44	1.28	19.2	1.80	22.92	2.15
M4	13.44	1.28	30.72	2.90	43.44	4.10	52.56	4.95
M5	26.4	2.50	60.96	5.75	5.97	8.10	7.15	9.7
M6	44.64	4.3	7.3	9.9	10.3	14	12.1	16.5
M7	5.2	7.1	12.1	16.5	16.9	23	19.9	27
M8	7.7	10.5	17.7	24	25	34	29	40
M10	15	21	35	48	50	67	59	81
M12	26	36	61	83	86.2	117	103	140
M14	42	58	101	132	136	185	162	220
M16	64	88	147	200	210	285	250	340
M18	89	121	202	275	287	390	346	470
M20	126	171	290	390	405	550	486	660
M22	169	230	390	530	559	745	656	890
M24	217	295	497	375	708	960	840	1140
M27	320	435	733	995	1032	1400	1239	1680
M30	435	590	995	1350	1401	1900	1681	2280
M33	590	800	1349	1830	1902	2580	2278	3090
M36	759	1030	1740	2360	2441	3310	2935	3980
M39	988	1340	2249	3050	3163	4290	3798	5150

Torque Specification Chart						
FOR STANDARD MACHINE HARDWARE (Tolerance ± 20%)						
Hardware Grade	No Marks		SAE Grade 5		SAE Grade 8	
	SAE Grade 2		SAE Grade 5		SAE Grade 8	
Size Of Hardware	in/lbs	Nm.	in/lbs	Nm.	in/lbs	Nm.
	ft/lbs		ft/lbs		ft/lbs	
8-32	19	2.1	30	3.4	41	4.6
8-36	20	2.3	31	3.5	43	4.9
10-24	27	3.1	43	4.9	60	6.8
10-32	31	3.5	49	5.5	68	7.7
1/4-20	66	7.6	8	10.9	12	16.3
1/4-28	76	8.6	10	13.6	14	19.0
5/16-18	11	15.0	17	23.1	25	34.0
5/16-24	12	16.3	19	25.8	29	34.0
3/8-16	20	27.2	30	40.8	45	61.2
3/8-24	23	31.3	35	47.6	50	68.0
7/16-14	30	40.8	50	68.0	70	95.2
7/16-20	35	47.6	55	74.8	80	108.8
1/2-13	50	68.0	75	102.0	110	149.6
1/2-20	55	74.8	90	122.4	120	163.2
9/16-12	65	88.4	110	149.6	150	204.0
9/16-18	75	102.0	120	163.2	170	231.2
5/8-11	90	122.4	150	204.0	220	299.2
5/8-18	100	136	180	244.8	240	326.4
3/4-10	160	217.6	260	353.6	386	525.0
3/4-16	180	244.8	300	408.0	420	571.2
7/8-9	140	190.4	400	544.0	600	816.0
7/8-14	155	210.8	440	598.4	660	897.6
1-8	220	299.2	580	788.8	900	1,244.0
1-12	240	326.4	640	870.4	1,000	1,360.0

The guides and ruler furnished below are designed to help you select the appropriate hardware.

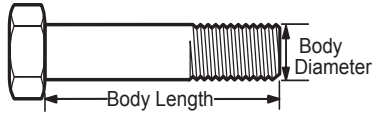


Nut, M8

Thread Diameter (mm)

Inside Diameter (in) Threads per inch

Nut, 1/2-16

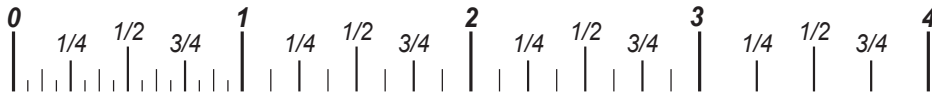


Screw, M8- 1.25 x 25

Thread Diameter (mm) Distance between threads (mm) Body Length (mm)

Body Diameter Threads per inch Body Length (in)

Screw, 1/2- 16 x 2



Standard Hardware Sizing

When a washer or nut is identified as 1/2" (M8), this is the *Nominal size*, meaning the *inside diameter* is 1/2 inch (8mm metric thread diameter); if a second number is present it represents the *threads per inch* (distance between threads).

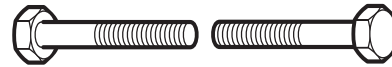
When bolt or capscrew is identified as 1/2 - 16 x 2" (M8 - 1.25 x 50), this means the *Nominal size*, or body diameter is 1/2 inch (8mm metric thread diameter), the second number, 16, represents the *threads per inch*, (*distance between threads*). The final number is the body length of the bolt or screw, 2 inches (50mm).

NOTES

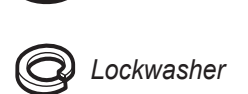
- These torque values are to be used for all hardware excluding: locknuts, self-tapping screws, thread forming screws, sheet metal screws and socket head setscrews.
- Recommended seating torque values for locknuts:
 - for prevailing torque locknuts - use 65% of grade 5 torques.
 - for flange whizlock nuts and screws - use 135% of grade 5 torques.
- Unless otherwise noted on assembly drawings, all torque values must meet this specification.

Common Hardware Types

Hex Head Capscrew



Washer



Carriage Bolt



Hex Nut

Wrench & Fastener Size Guide

1/4" Bolt or Nut Wrench—7/16"	5/16" Bolt or Nut Wrench—1/2"	3/8" Bolt or Nut Wrench—9/16"	7/16" Bolt or Nut Wrench (Bolt)—5/8" Wrench (Nut)—11/16"	1/2" Bolt or Nut Wrench—3/4"
M6 Bolt or Nut Wrench—10mm	M8 Bolt or Nut Wrench—13mm	M10 Bolt or Nut Wrench—17mm	M12 Bolt or Nut Wrench—19mm	M14 Bolt or Nut Wrench—22mm

