



Parts Manual

Mfg. No: 1696927-00
P1724E, 16.5TP 24" Steerable Dual Stage
Snowthrower



Model Components	Page
Auger Drive Group.....	4
Auger Gearbox SERVICE PARTS - 772093.....	6
Auger Housing Group.....	8
Decals Group.....	10
Discharge Chute Group.....	12
Engine & Frame Group.....	14
Handles Group.....	18
Traction Drive Group.....	22
Wheel & Tire Group.....	26
Torque Specification Chart.....	28

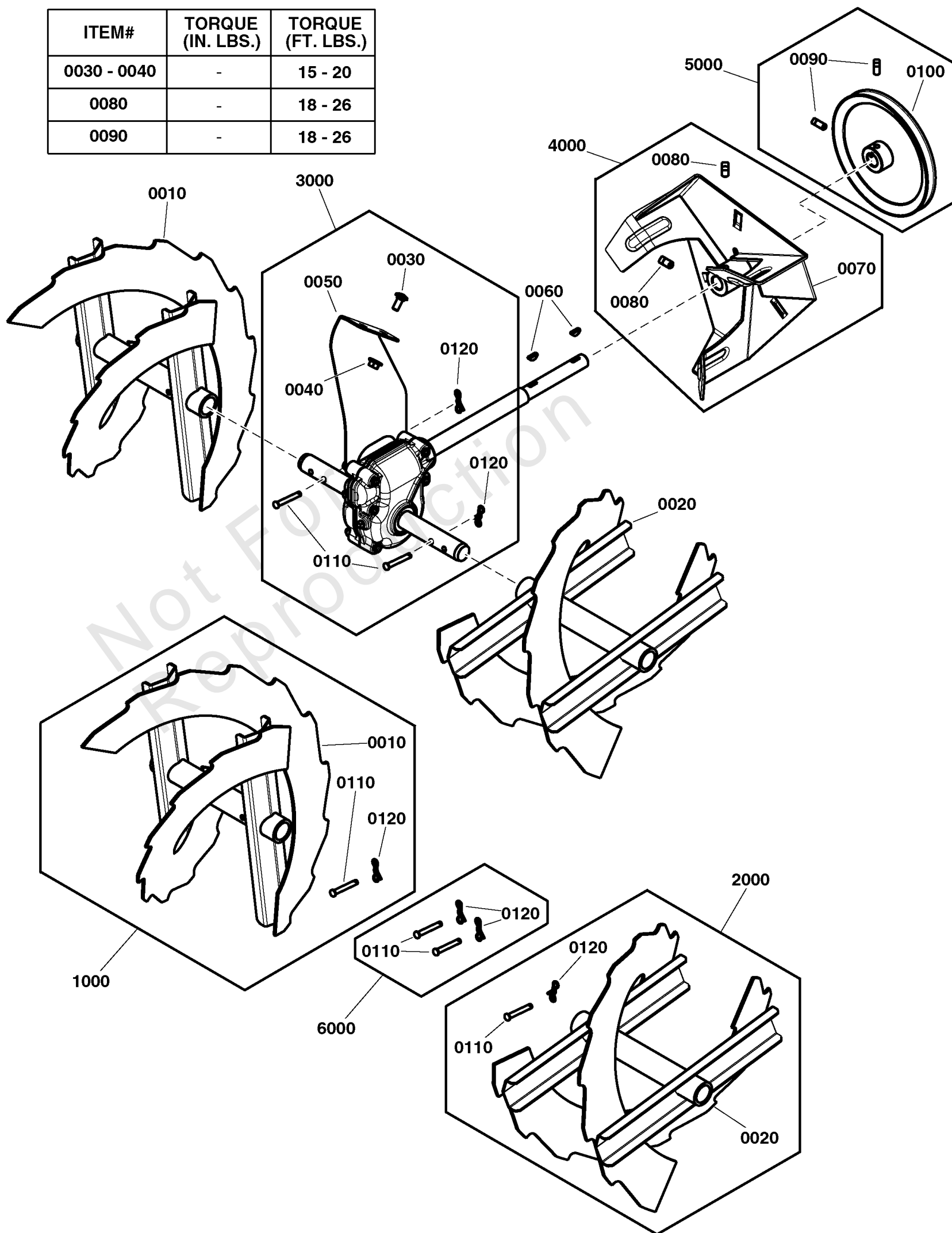
Not For
Reproduction

Auger Drive Group

Note: Unless noted otherwise, use the standard torque specifications

Mfg. No: 1696927-00

ITEM#	TORQUE (IN. LBS.)	TORQUE (FT. LBS.)
0030 - 0040	-	15 - 20
0080	-	18 - 26
0090	-	18 - 26



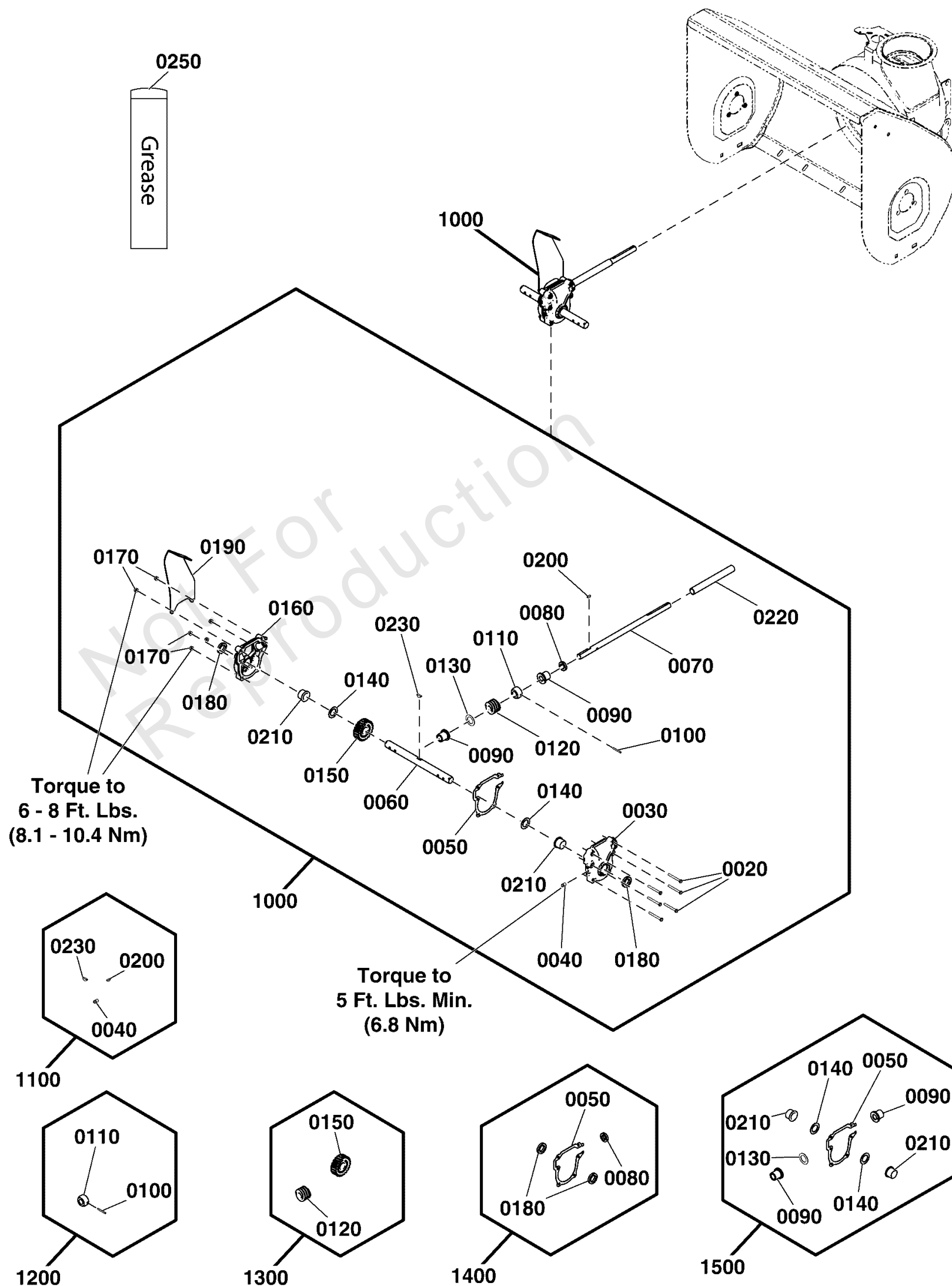
Auger Drive Group

REF NO	PART NO	QTY	DESCRIPTION
1000	772194	1	KIT, 24" Auger RH -(Incl. Ref. Nos. 0010, 0110, 0120)
0010	-----	1	WELDMENT, Auger, 24", RH, Black
0110	703063	1	PIN, SHEAR
0120	703060	1	PIN, BOW TIE, 3/16
2000	772203	1	KIT, 24" Auger LH -(Incl. Ref. Nos. 0020, 0110, 0120)
0020	-----	1	WELDMENT, Auger, 24", LH, Black
0110	703063	1	PIN, SHEAR
0120	703060	1	PIN, BOW TIE, 3/16
3000	772093		KIT, Gearbox, PRO -(Incl. Ref. Nos. 0030, 0040, 0050, 0060)
0030	703159	2	BOLT
0040	703222	2	NUT, Hex, KEPS, 5/16-18
0050	-----	1	ASSEMBLY, Gearbox, PRO
0060	703891	2	KEY, 3/16X.625
4000	772090	1	KIT, Impeller -(Incl. Ref. Nos. 0070, 0080, 0090)
0070	-----	1	WELDMENT, Impeller, Black
0080	1960474SM	2	SETSCREW, Square Head, 3/8-16 x 1/2, G8
0090	1930540SM	2	SCREW, Set Square Head Cup Point, 5/16-18X 5/8, G8
5000	772091	1	KIT, Auger Pulley 9.0" -(Incl. Ref. Nos. 0090, 0100)
0090	1930540SM	2	SCREW, Set Square Head Cup Point, 5/16-18X 5/8, G8
0100	-----	1	PULLEY, Impeller, 9.0 OD, PRO
6000	1750790YP	1	SHEAR PIN KIT, 1038 -(Incl. Ref. Nos. 0110, 0120)
0110	703063	2	PIN, SHEAR
0120	703060	2	PIN, BOW TIE, 3/16

Auger Gearbox SERVICE PARTS - 772093

Note: Unless noted otherwise, use the standard torque specifications

Mfg. No: 1696927-00



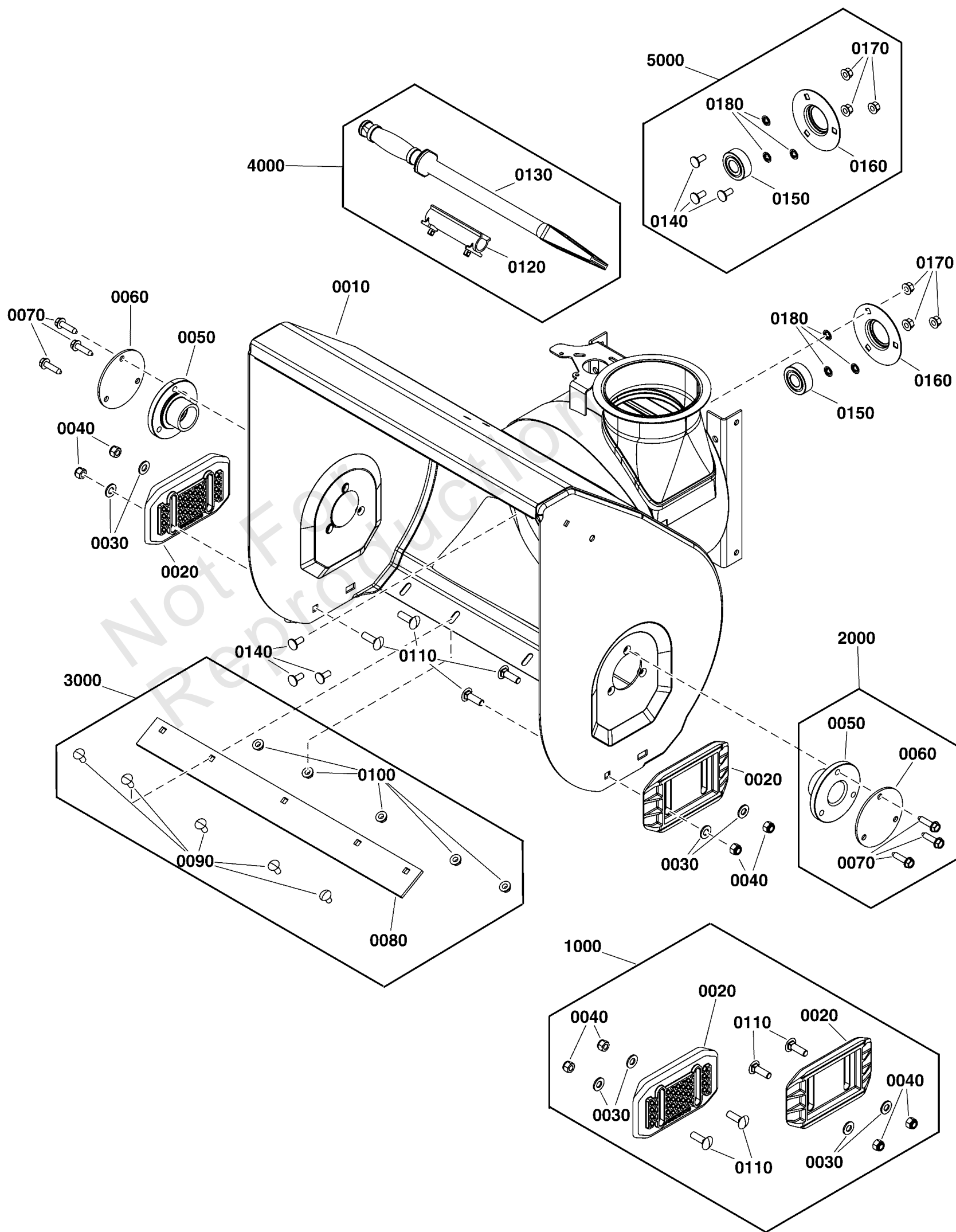
Auger Gearbox SERVICE PARTS - 772093

REF NO	PART NO	QTY	DESCRIPTION
1000	772093	1	KIT, Gearbox, PRO -(Incl. Ref. Nos. 0020 - 0230)
0020	704291	6	CAPSCREW, 1/4-20X2.25
0030	-----	1	GEAR CASE HALF, Left Hand
0040	1668971SM	1	TAPERED PIPE PLUG
0050	1612124SM	1	GASKET
0060	1732440SM	1	SHAFT, Auger Cutoff
0070	-----	1	SHAFT, Impeller, 18.10" L, PRO
0080	-----	1	SEAL, Oil
0090	1612149SM	2	FLANGE BUSHING
0100	2836098SM	1	PIN, Drive Lock
0110	1612127SM	1	THRUST COLLAR
0120	-----	1	WORM, LH Rolled Steel
0130	2168111SM	1	WASHER, Thrust
0140	2118315SM	2	WASHER, Thrust
0150	-----	1	GEAR, Worm, Steel
0160	-----	1	GEAR CASE HALF, Right Hand
0170	703916	6	NUT, HEX FLNG, 1/4-20
0180	-----	2	SEAL, Oil
0190	772324	1	PLATE, Support
0200	703891	1	KEY, 3/16X.625
0210	1732991SM	2	BUSHING
0220	1612111SM	1	TUBE
0230	704280	1	KEY, WOODRUFF, .25X.75
0250	-----	1	GREASE, Brown Lithium Mobilux EP1 (3oz)
1100	772168	1	KIT, Plug & Key -(Incl. Ref. Nos. 0040, 0200, 0230)
0040	1668971SM	1	TAPERED PIPE PLUG
0200	703891	1	KEY, 3/16X.625
0230	704280	1	KEY, WOODRUFF, .25X.75
1200	772218	1	KIT, Collar & Pin -(Incl. Ref. Nos. 0100, 0110)
0100	2836098SM	1	PIN, Drive Lock
0110	1612127SM	1	THRUST COLLAR
1300	706853	1	KIT, GEARS -(Incl. Ref. Nos. 0120, 0150)
0120	-----	1	WORM, LH Rolled Steel
0150	-----	1	GEAR, Worm, Steel
1400	772164	1	KIT, Gasket & Seal -(Incl. Ref. Nos. 0050, 0080, 0180)
0050	1612124SM	1	GASKET
0080	-----	1	SEAL, Oil
0180	-----	2	SEAL, Oil
1500	772170	1	KIT, Auger Bushing -(Incl. Ref. Nos. 0050, 0090, 0130, 0140, 0210)
0050	1612124SM	1	GASKET
0090	1612149SM	2	FLANGE BUSHING
0130	2168111SM	1	WASHER, Thrust
0140	2118315SM	2	WASHER, Thrust
0210	1732991SM	2	BUSHING

Auger Housing Group

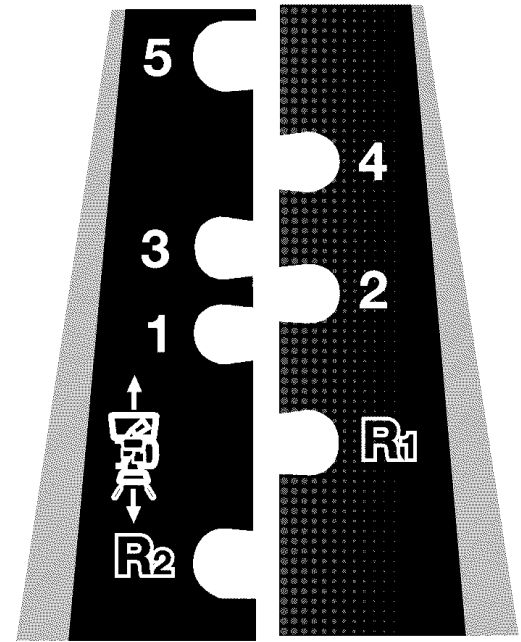
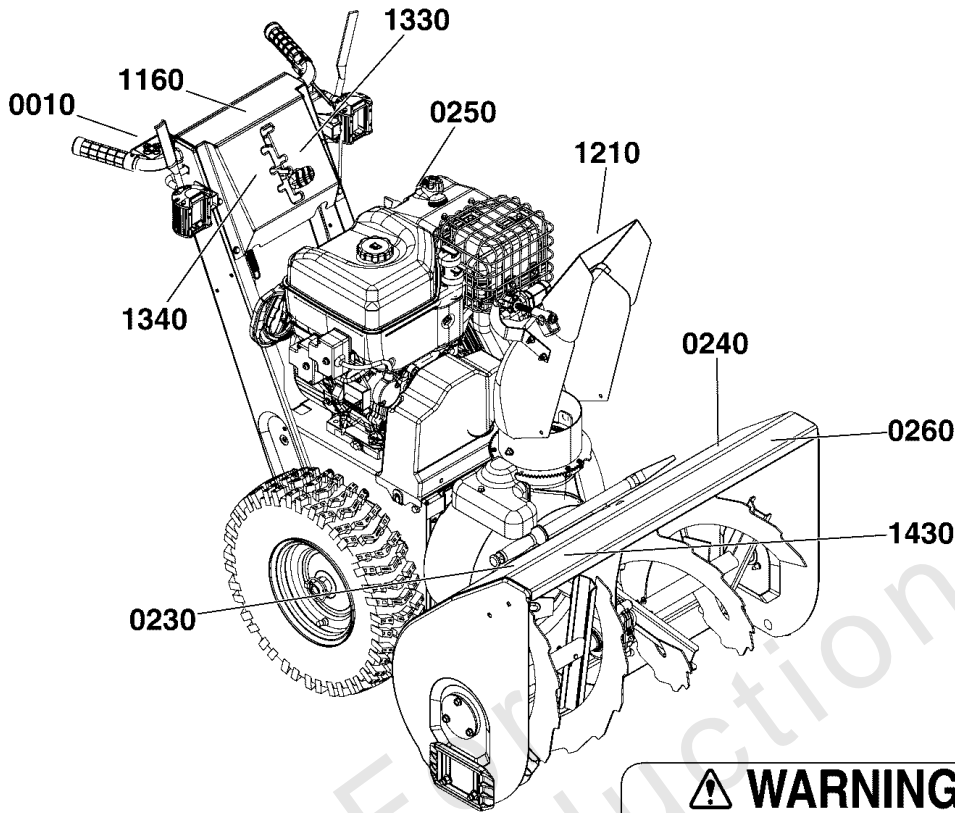
Note: Unless noted otherwise, use the standard torque specifications

Mfg. No: 1696927-00



Auger Housing Group

REF NO	PART NO	QTY	DESCRIPTION
0010	-----	1	WELDMENT, Auger Housing, HD, 24", Orange -(Not a serviceable part)
1000	772086		KIT, Skid Shoe -(Incl. Ref. Nos. 0020, 0030, 0040, 0110)
0020	-----	2	SHOE, Skid, Reversible, Thin
0030	703590	4	WASHER, FLAT, .406
0040	703117	4	NUT
0110	703130	4	BOLT
2000	772166		KIT, Bearing Mounting Plate -(Incl. Ref. Nos. 0050, 0060, 0070)
0050	1733103SM	2	BEARING, Flange, 1.3/8 ID x 3-3/4 OD
0060	1734932BMYP	2	COVER, BUSHING
0070	703167	6	SCREW
3000	772147		KIT, Scraper Bar 24" -(Incl. Ref. Nos. 0080, 0090, 0100)
0080	1709946ASM	1	BLADE, Scraper, 24"
0090	703159	5	BOLT
0100	704067	5	NUT, HEX FLNG,5/16-18
4000	707549		KIT, CLEANOUT BRUSH STICK -(Incl. Ref. Nos. 0120, 0130)
0120	-----	1	CLAMP, Cleanout
0130	-----	1	SHOVEL, Cleanout
5000	772145		KIT, Bearing Mounting Plate -(Incl. Ref. Nos. 0140, 0150, 0160, 0170, 0180)
0140	703185	3	BOLT, Round Head, Short Square Neck
0150	2108202SM	1	BEARING, BALL
0160	1665982SM	1	BEARING RETAINER - PL
0170	703115	3	NUT
0180	703297	3	RETAINER, GR5, 5/16

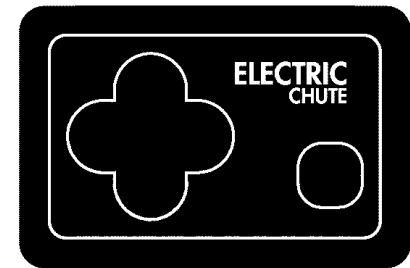


1340

1330



0250



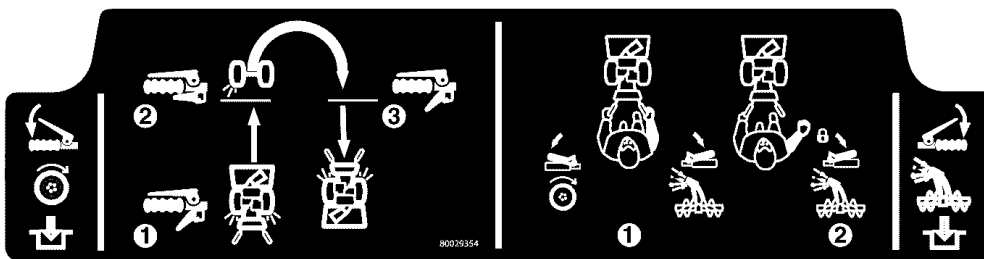
0010



0260



1210



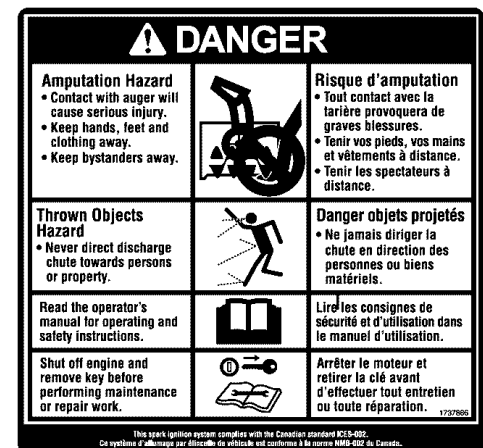
1160

VELOCITY™ THROWING SYSTEM

0240

Simplicity®

1430



0230

Decals Group

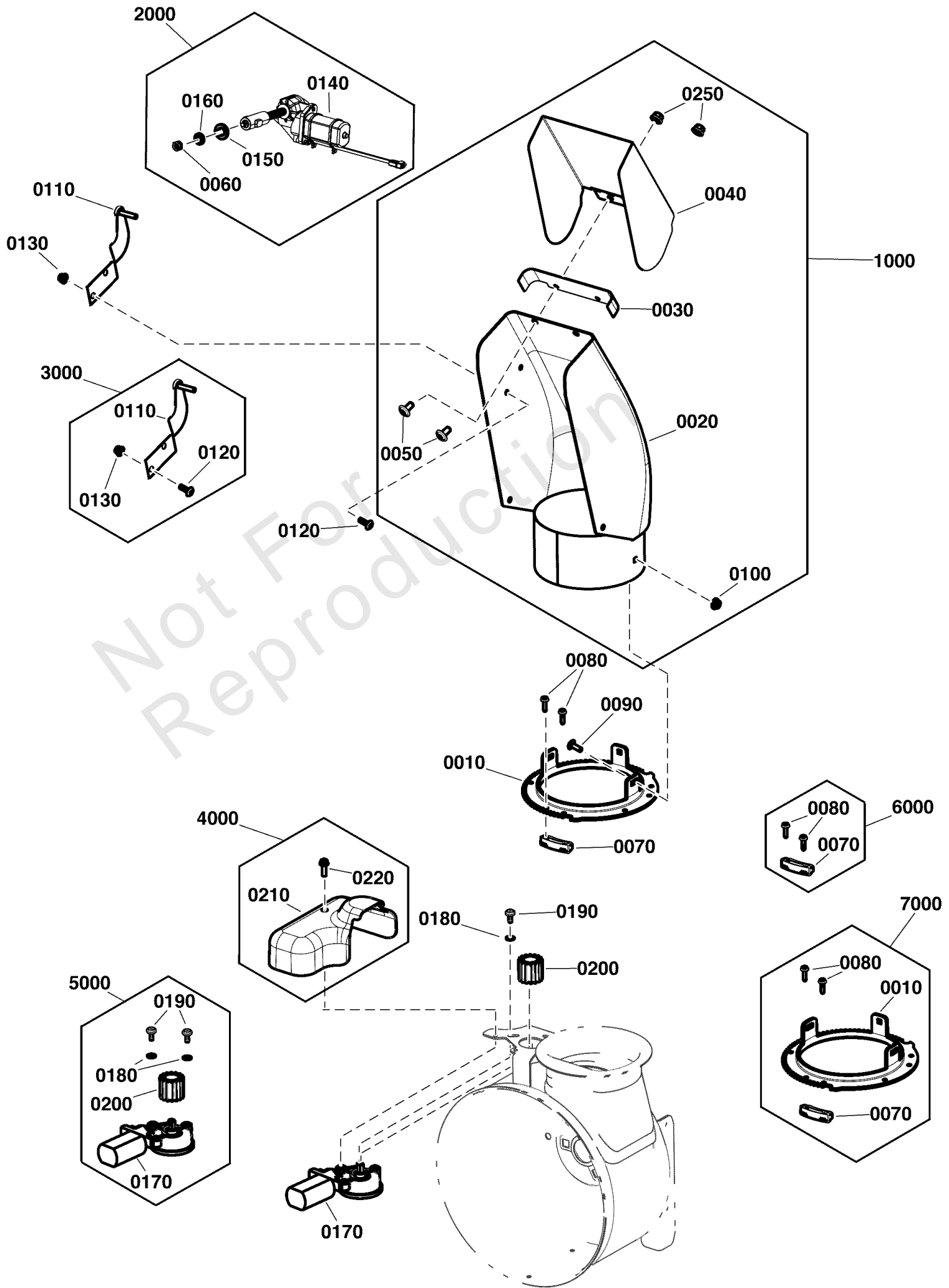
REF NO	PART NO	QTY	DESCRIPTION
0010	84002300	1	DECAL, Electric Chute, RH
0230	1737866YP	1	DECAL, Danger Foot, FR/ENG
0240	772123	1	DECAL, Velocity Throwing System
0250	84002303	1	LABEL, WARNING
0260	772126	1	DECAL, Model Signature PRO P1724
1160	772127	1	DECAL, Controls
1210	1737865YP	1	DECAL, Danger Chute Warning, FR/ENG
1330	772125	1	DECAL, Shift Controls
1340	772124	1	DECAL, Shift Controls
1430	1757673YP	1	DECAL, SMI LOGO 10.47

Not For Reproduction

Discharge Chute Group

Note: Unless noted otherwise, use the standard torque specifications

Mfg. No: 1696927-00



Discharge Chute Group

REF NO	PART NO	QTY	DESCRIPTION
1000	772115	1	KIT, CHUTE ASSEMBLY -(Incl. Ref. Nos. 0020, 0030, 0040, 0050, 0090, 0100, 0250, 1210)
0020	-----	1	WELDMENT, Chute
0030	-----	1	GASKET, Chute Deflector
0040	-----	1	WELDMENT, Deflector
0050	-----	2	SCREW, 5/16-18X.625, Torx, ZC/CL
0090	703159	3	BOLT
0100	704067	3	NUT, HEX FLNG,5/16-18
0250	703115	2	NUT
1210	1737865YP	1	DECAL, Danger Chute Warning, FR/ENG
6000	772135	1	KIT, Puck -(Incl. Ref. Nos. 0070, 0080)
7000	772085	1	KIT, Steele Chute Gear -(Incl. Ref. Nos. 0010, 0070, 0080)
0010	-----	1	GEAR, Tall Steel Chute, Black
0070	-----	3	RETAINER, Chute
0080	-----	6	SCREW, #10-24 X 0.750, Hex Washer HD Slot, ZC
3000	772151		KIT, Bracket -(Incl. Ref. Nos. 0110, 0120, 0130)
0110	-----	1	WELDMENT, Bracket / Stud, Black
0120	-----	2	SCREW-TRUSS HD TORX DR 1/4-20X0.750 ZC/C
0130	703463	2	NUT, GR5,1/4-20
2000	772152	1	KIT, Motor -(Incl. Ref. Nos. 0060, 0140, 0150, 0160)
0060	703143	1	NUT
0140	1737941	1	MOTOR, Chute Deflector
0150	1738244	1	WASHER, Rubber
0160	71067MA	1	WASHER, 1/4, Flat, GR5 Zinc/Clear
5000	772154	1	KIT, Motor -(Incl. Ref. Nos. 0170, 0180, 0190, 0200)
0170	-----	1	MOTOR, Actuator
0180	7091522YP	3	PHMS, TORX, 1/4C X7/8
0190	1739621YP	3	SCREW, Torx Button Head, M5 x .8 x 14
0200	1728967SM	1	PINION
4000	772153	1	KIT, Cover, Chute Rotation -(Incl. Ref. Nos. 0210, 0220)
0210	1752877YP	1	COVER, Electric Chute Rotation
0220	-----	1	SCREW, 1/4-20 X .750, Hex Washer Head TT, GR5, ZC/CL

Engine & Frame Group

REF NO	PART NO	QTY	DESCRIPTION
0010	25D137-0002-F1	1	* ENGINE, 16.5TP Briggs & Stratton, Domestic -(Engine Model: 25D137-0002-F1)
0030	703175	4	BOLT,RD SH SQ
0055	028X76MA	4	NUT,SPEED
0060	703330	4	NUT, Hex Flange Whiz-Lock, 5/16-18
0100	-----	1	PULLEY, Auger-Impeller Drive, PRO
0150	706412	1	PULLEY, Crankshaft, Power Boost, 3/4 ID x 2-1/4 OD
0155	1726869SM	1	PULLEY, Engine, Outside
0160	704128	1	WASHER
0180	703165	1	HHCS
0200	703454	1	LOCKWASHER, SPLIT 3/8
0290	-----	1	GUIDE, Belt, Upper, PRO
0300	703336	2	CAPSCREW, 5/16-24X.75
0320	703116	2	LCKWSHR
0470	703350	2	WASHER
0340	772118	1	BELT, AUGER DRIVE
0350	1753942YP	1	V-BELT 3L, CVT, 32.90, Traction Drive
0360	1726348SM	1	ASSEMBLY, Auger Drive Pulley
0380	706503	1	SCREW, Hex Head, 3/8-16 x 1-3/4
0400	703893	1	NUT, CNTR LCK, 3/8-16
0420	1668477SM	1	PULLEY, Idler, 2.25" OD, .378 ID
0430	1960647SM	1	SCREW, Hex Head, 3/8-16 x 1-1/2
0490	703144	1	SPRING
0510	1703046BZYP	1	ARM, IDLER, BLACK
0520	703145	1	PIN
0530	703430	2	PIN, 13X1.19
0540	-----	1	SPRING, Extension, 4.633" LG
0560	703354	4	SCREW, 5/16-18
0580	703330	4	NUT, Hex Flange Whiz-Lock, 5/16-18
0600	1726870CSM	1	COVER, Bottom Frame, 20GA
0610	704130	2	SCREW, HEX, 1/4-20X.5
0630	-----	1	COVER, Belt, PRO
0640	1935255SM	2	NUT, SPEED, 5/16-18 L
0650	1918249	2	SCREW, Truss Head, Slotted, 5/16-18 x 3/4
0660	703138	2	WASHER
0670	1727004BMYP	1	SUPPORT, TIE BAR
0680	703228	4	SCREW, 5/16-18 X .75
0690	-----	1	FRAME -(Not a serviceable part)
0750	1720404BMYP	1	SUPPORT, CLUTCH CABLE
0760	703101	2	BOLT,1/4-20X.75
0770	703061	2	NUT, HEX KEPS, 1/4-20
1000	772121	1	WELDMENT, Bracket, Tensioner, Pro
1120	1928731SM	1	NUT, Hex, Jam 3/8-16 (Qty. 2 on 1691416 & 1691417)
1160	1920161SM	1	NUT-HEX JAM 5/16-18
1170	703570	1	CAPSCREW, Hex Head, 5/16-18 x 1 1/4
1210	703115	2	NUT
1220	-----	1	WELDMENT, Belt Guide, Lower, PRO, Black
1230	703185	2	BOLT, Round Head, Short Square Neck

Footnotes:

Note:* To verify your specific engine model, please reference the ID Tag located on your engine. See your local Briggs & Stratton distributor for parts and service.

Engine & Frame Group

REF NO	PART NO	QTY	DESCRIPTION
2000	772101		KIT, PRO Belt, Pulley -(Incl. Ref. Nos. 0100, 0150, 0155, 0160, 0180, 0200, 0340, 0350)
3000	772099		KIT, PRO Upper Belt Guide -(Incl. Ref. Nos. 0290, 0300, 0320, 0470)
4000	772175		KIT, Idler Pulley, Traction Drive -(Incl. Ref. Nos. 0360, 0380, 0400)
5000	772174		KIT, Auger Pulley -(Incl. Ref. Nos. 0420, 0430, 1120)
6000	772163		KIT, Bottom Cover -(Incl. Ref. Nos. 600, 610)
7000	772100		KIT, PRO Belt Cover -(Incl. Ref. Nos. 0640, 0650, 0660)
8000	772176		KIT, Bracket Clutch Cable -(Incl. Ref. Nos. 0750, 0760, 0770)
9000	772098		KIT, PRO Belt Guide -(Incl. Ref. Nos. 1210, 1220, 1230)

Not For
Reproduction

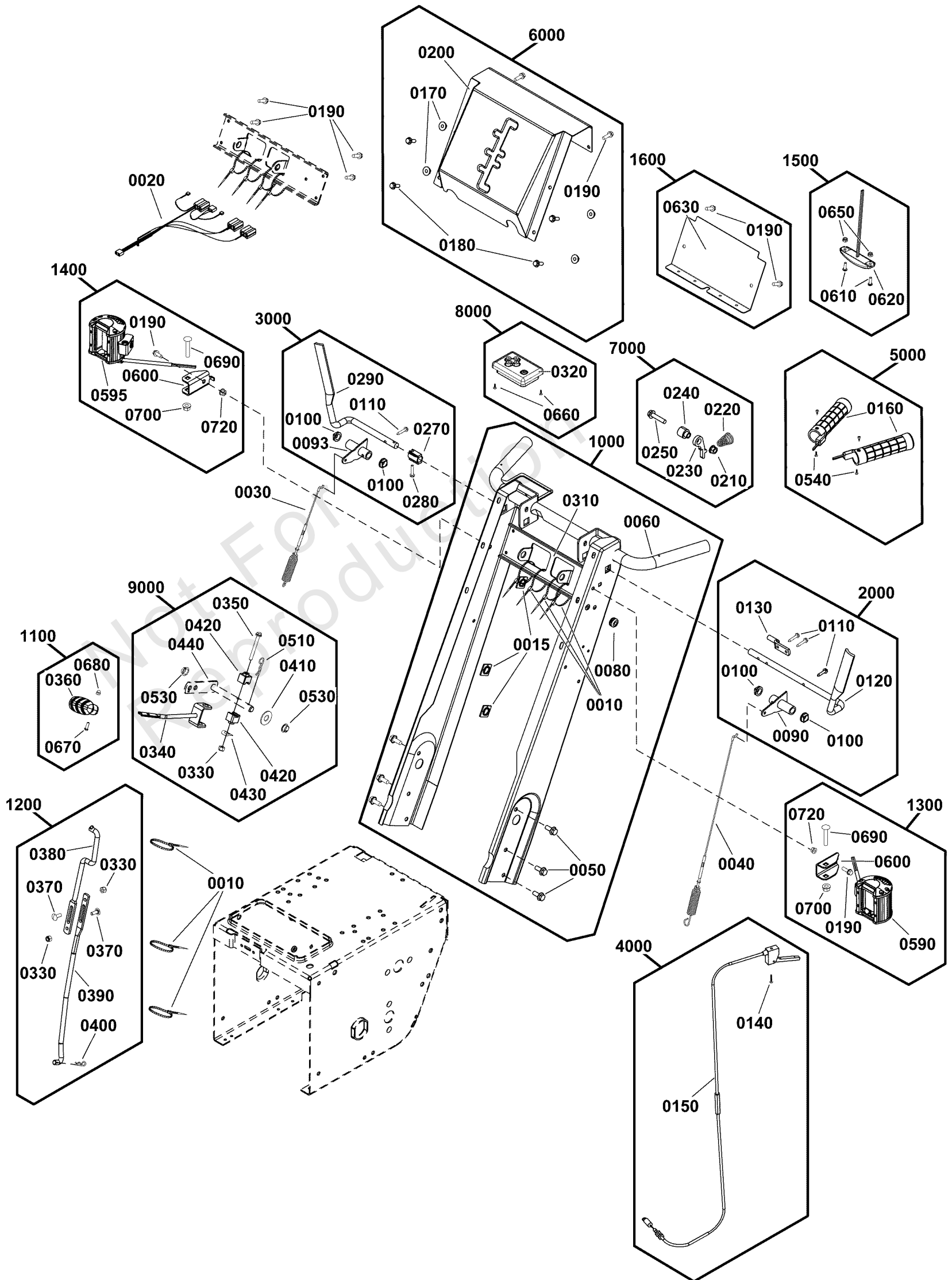
Footnotes:

Note:* To verify your specific engine model, please reference the ID Tag located on your engine. See your local Briggs & Stratton distributor for parts and service.

Handles Group

Note: Unless noted otherwise, use the standard torque specifications

Mfg. No: 1696927-00



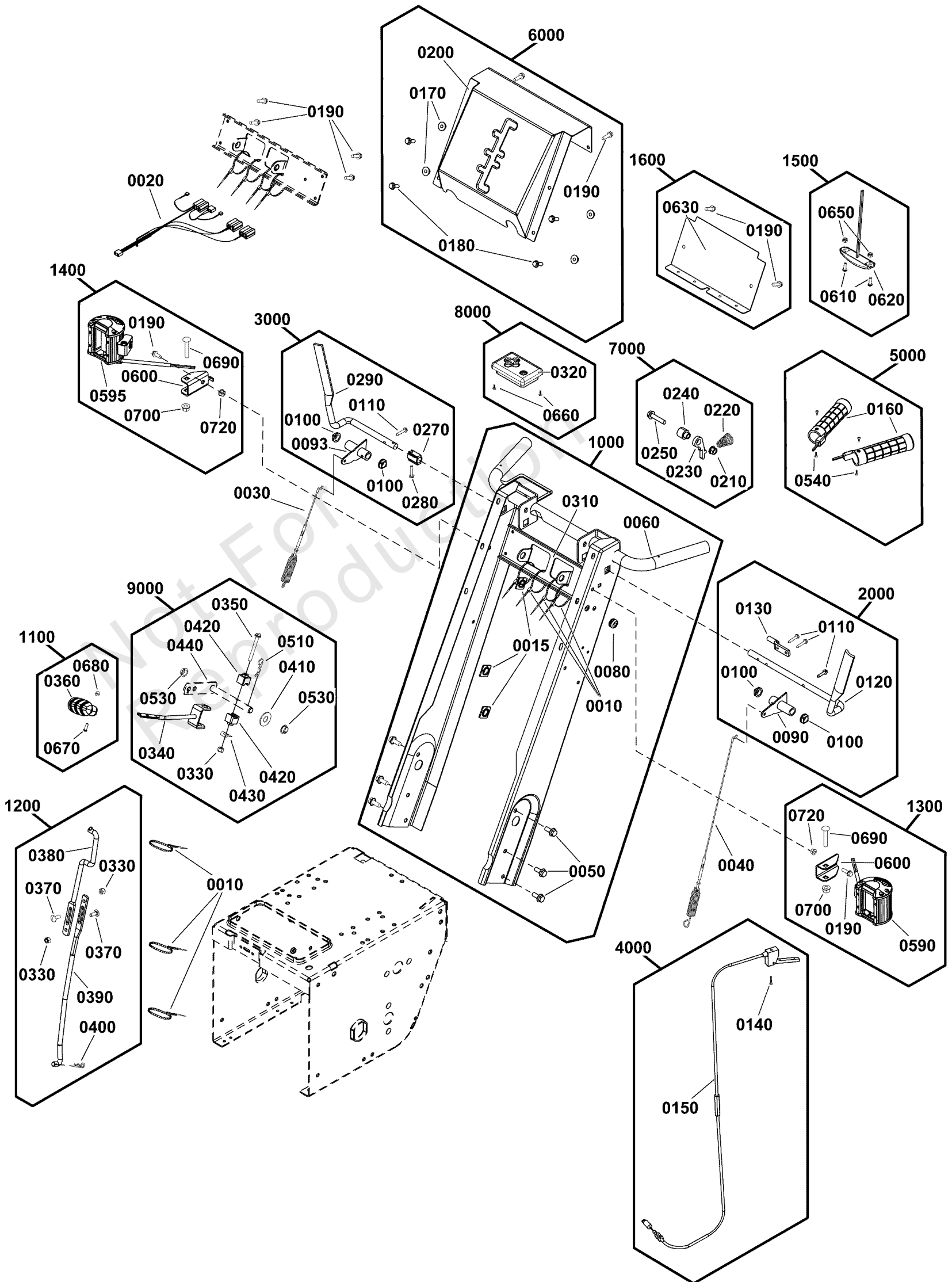
Handles Group

REF NO	PART NO	QTY	DESCRIPTION
0020	772130	1	HARNESSE, Wiring
0030	1735148SM	1	CABLE & SPRING ASSEMBLY, Auger, R.H., ZC/YL
0040	1728115SM	1	CABLE ASSEMBLY, LH (Includes Ref. No. 36)
1000	772117	1	KIT, PRO Handle -(Incl. Ref. Nos. 0010, 0015, 0050, 0060, 0080, 0190, 0310)
0010	-----	4	TIE, 7, Self Lock
0015	-----	1	MOUNT, Zip-Tie, Adhesive Backed
0050	84001192	6	BOLT, 5/16-18 X 3/4, SER FLG GD5, CZ (15108)
0060	-----	1	WELDMENT, Handle, PRO, Orange
0080	1664022SM	1	GROMMET, 1/2 DIA X .1/8 WD GROOVE .9/32 H
0190	-----	4	SCREW, 1/4-20 X .750, Hex Washer Head TT, GR5, ZC/CL
0310	-----	1	BRACKET, Shift Control
1100	770833	1	KIT, Knob, Lever -(Incl. Ref. Nos. 0360, 0670, 0680)
0360	-----	1	KNOB, Slot Speed
0670	-----	1	SCREW, Phillips Head, M5
0680	-----	1	NUT, Acorn, M5
1200	772155	1	KIT, Shift Rod -(Incl. Ref. Nos. 0330, 0370, 0380, 0390, 0400)
0330	703223	1	NUT, Hex-Flange, Whiz-Lock, 1/4-20
0370	80003579	2	BOLT, 1/4-20X.75,GR5,RH SH SQ NK,ZNC/CLR
0380	-----	1	ROD, .375 Dia., 10.5 LG, Upper Shift
0390	1666255BM	1	ROD, Shift, Lower
0400	703430	1	PIN, 13X1.19
0440	703052	1	PIVOT
1300	772102	1	KIT, LH LED Light -(Incl. Ref. Nos. 0190, 0595, 0600, 0690, 0700, 0720)
0190	-----	1	SCREW, 1/4-20 X .750, Hex Washer Head TT, GR5, ZC/CL
0590	-----	1	ASSEMBLY, Headlight, LED, LH
0600	-----	1	BRACKET, Light, PRO, Black
0690	703175	1	BOLT, RD SH SQ
0700	703115	1	NUT
0720	703161	1	NUT
1400	772103	1	KIT, RH LED Light -(Incl. Ref. Nos. 0190, 0595, 0600, 0690, 0700, 0720)
0190	-----	1	SCREW, 1/4-20 X .750, Hex Washer Head TT, GR5, ZC/CL
0595	-----	1	ASSEMBLY, Headlight, LED, RH
0600	-----	1	BRACKET, Light, PRO, Black
0690	703175	1	BOLT, RD SH SQ
0700	703115	1	NUT
0720	703161	1	NUT
1500	772084	1	KIT, Amber Courtesy Light -(Incl. Ref. Nos. 0610, 0620, 0650)
0610	-----	2	SCREW, #10-24 X 0.625, PAN HEAD, TORX 25
0620	-----	1	ASSEMBLY, Amber Courtesy Light, LED
0650	703412	2	NUT, NYLOCK, 10-24
1600	772136	1	KIT, Rear Cover -(Incl. Ref. Nos. 0190, 0630)
0630	-----	1	COVER, Rear, Black
0190	-----	2	SCREW, 1/4-20 X .750, Hex Washer Head TT, GR5, ZC/CL
2000	772159	1	KIT, Left Lever -(Incl. Ref. Nos. 0090, 0100, 0110, 0120, 0130)
0090	1725205ASM	1	CLUTCH LEVER ASSEMBLY, Welded

Handles Group

Note: Unless noted otherwise, use the standard torque specifications

Mfg. No: 1696927-00



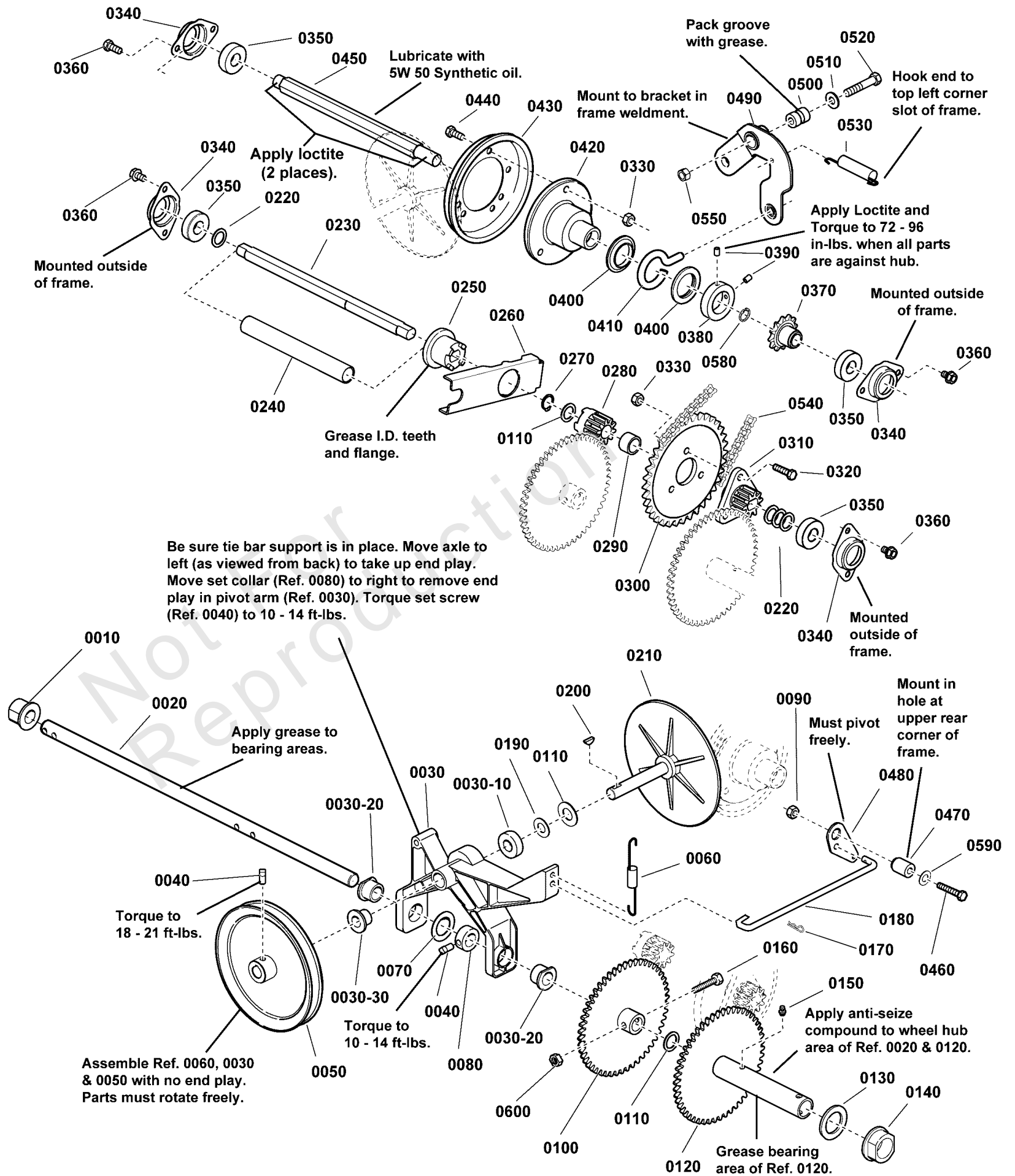
Handles Group

REF NO	PART NO	QTY	DESCRIPTION
0100	1732732SM	2	BUSHING, Nylon, 33/64 ID X 37/64 SQ X 0.7/32 LG
0110	-----	3	SCREW, #12-24X1.0, Hex Washer HD Tap-Tite, ZC
0120	1727127SM	1	HANDLE-CLUTCH LH FORM
0130	1677453SM	1	ROD, Control, 3/8 Diameter, 2.81 Long 2" Flat
3000	772160	1	KIT, Right Lever -(Incl. Ref. Nos. 0093, 0100, 0110, 0270, 0280, 0290)
0093	-----	1	WELDMENT, Clutch Lever, RH, Black
0100	1732732SM	2	BUSHING, Nylon, 33/64 ID X 37/64 SQ X 0.7/32 LG
0110	-----	1	SCREW, #12-24X1.0, Hex Washer HD Tap-Tite, ZC
0270	-----	1	GUIDE, Control, .434 WD, PM, Zinc/Clear
0280	703162	1	SCREW
0290	1727128SM	1	HANDLE, Clutch RH Formed
4000	772161	2	KIT, Handle & Cable -(Incl. Ref. Nos. 0140, 0150)
0140	1725702SM	1	SCREW, Pan Head Torx, #10 x 1/2
0150	1718791SM	1	CABLE & HANDLE ASSEMBLY
5000	770769	1	KIT, Grip, Handle -(Incl. Ref. Nos. 0160, 0540)
0160	-----	2	HAND GRIP, Heated, 60W
0540	703044	4	SCREW
6000	772156	1	KIT, Dash Panel -(Incl. Ref. Nos. 0170, 0180, 0190, 0200)
0170	703161	4	NUT
0180	1935450SM	4	CAPSCREW-HEX WSHR HD
0190	-----	10	SCREW, 1/4-20 X .750, Hex Washer Head TT, GR5, ZC/CL
0200	1733919CSM	1	DASH, Handle
7000	772157	1	KIT, Latch -(Incl. Ref. Nos. 0210, 0220, 0230, 0240, 0250)
0210	703115	1	NUT
0220	1750475YP	1	SPRING, Free Hand
0230	-----	1	LATCH, Control, PWD Metal, HT TR, ZC/CL
0240	703049	1	SPACER
0250	1933689SM	1	SCREW, 5/16-18 x 1-1/2, Hex Flange, Whiz Lock
8000	772158	1	KIT, Actuator Switch -(Incl. Ref. Nos. 0320, 0660)
0320	-----	1	SWITCH, Echute, RH -(Incl. Ref. Nos. 0010)
0010	84002300	1	DECAL, Electric Chute, RH
0660	-----	2	SCREW, #6-19 X .375 Plastite 48-2 Thread
9000	772173	1	KIT, Rod -(Incl. Ref. Nos. 0330, 0340, 0350, 0410, 0420, 0430, 0510, 0530)
0330	703232	1	NUT, 1/4-20, NYLOCK
0340	-----	1	ASSEMBLY, Shift Rod & Clevis, Threaded, ZC/CL
0350	-----	1	SCREW, 1/4-20 X 2.25, Hex WZ Lock FLNG, ZC/CL
0410	-----	1	WASHER, Flat
0420	703050	2	BLOCK, PIVOT
0430	703051	1	WASHER
0510	703300	1	PIN, 3/32 X 1.6
0530	1668185SM	2	BUSHING, 1/2 ID x 3/4 OD x 1/4 Long Nylon

Traction Drive Group

Note: Unless noted otherwise, use the standard torque specifications

Mfg. No: 1696927-00



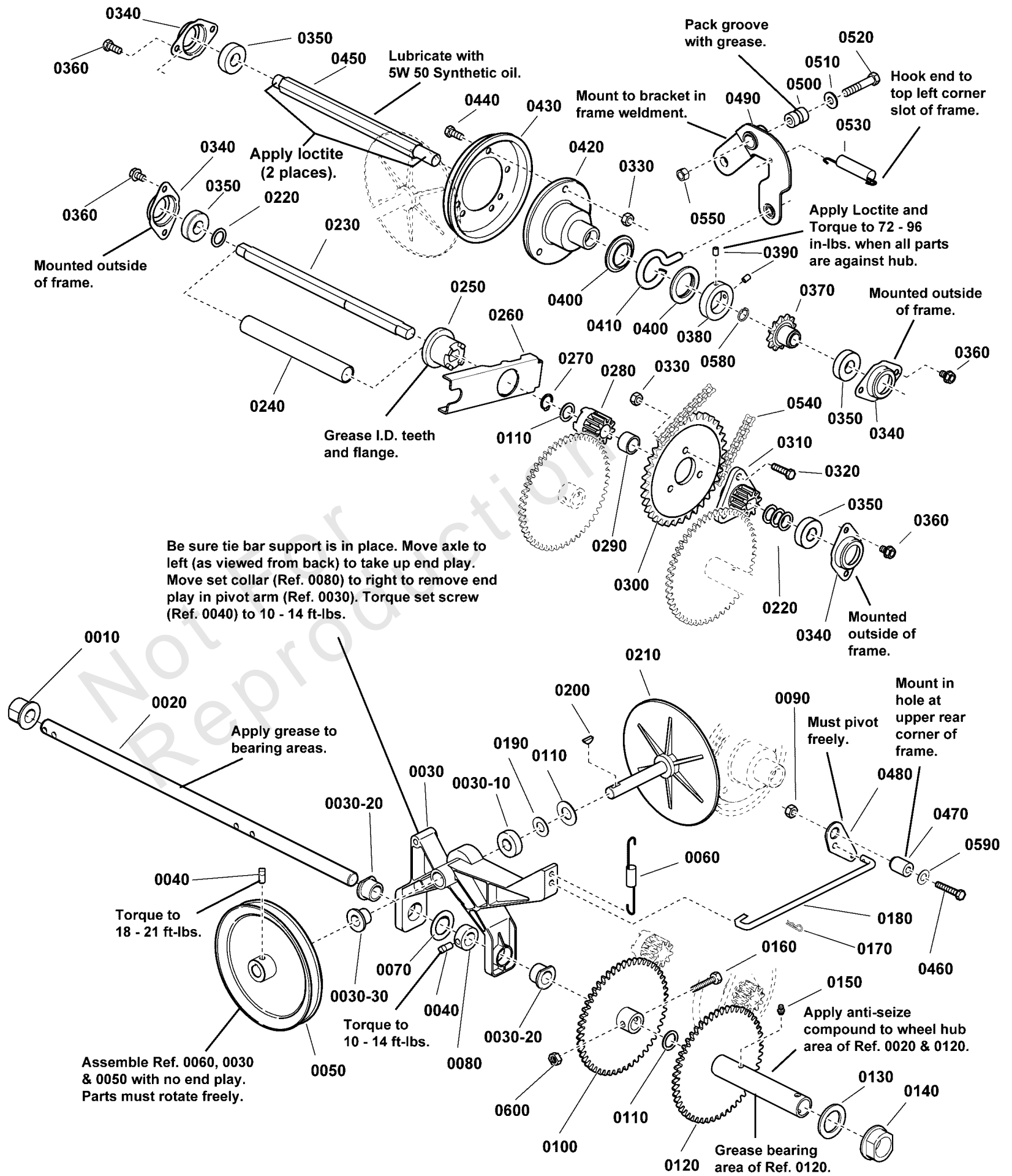
Traction Drive Group

REF NO	PART NO	QTY	DESCRIPTION
0010	1666001SM	1	BUSHING, 377/100 ID x 1-13/100 OD x 1 LG, Powdered Metal
0020	1736641YP	1	AXLE, 22-13/16 Long
0030	1670849SM	1	ARM ASSY., Pivot w/Bushings (Incl. all bushings, Qty 1 of Ref. No. 21, Qty 2 of Ref. No. 26; Qty. 1 of Ref. No. 37)
0030-10	1665521SM	1	BALL BEARING, Auger Axle
0030-20	1666425SM	2	BUSHING, 3/4 ID x 1 OD x 3/4 LG, Powdered Metal
0030-30	1666855SM	1	BUSHING, 5/8 ID x 13/16 OD x 3/4 LG, Powdered Metal
0040	1928721SM	2	SETSCREW, Square Head, 5/16-18 x 1/2, G8
0050	1672595SM	1	PULLEY AND HUB ASSEMBLY
0060	1725666SM	1	SPRING, Extension, 1/2 OD
0070	1919394SM	1	WASHER, 1, (As Required for All Front, As Required for K62 Rear)
0080	1729254SM	1	COLLAR, Set, .756 ID x 1.249 OD x .50
0090	1960686SM	1	NUT, Hex Flange Nylock, 5/16-18
0100	1736639YP	1	GEAR ASSEMBLY
0110	1960114SM	3	WASHER, 3/4 x 1
0120	1730228SM	1	GEAR AND HUB ASSEMBLY, with Bushings
0130	2860169SM	1	WASHER, 1-3/16
0140	1720305SM	1	BUSHING
0150	7076998SM	1	Fitting, Lube, Straight, 1/4-28
0160	706416	2	CAPSCREW, Hex-Head, 1/4-20 x 1-1/2, GR8
0170	1722460SM	1	PIN, Hair
0180	1726467SM	1	ROD, Pivot, 9-15/100 LG
0190	1924366SM	1	WASHER, 5/8
0200	2818312SM	1	KEY, Woodruff, 3/16 x 5/8
0210	1719879SM	1	DRIVE DISC with SPINDLE
0220	2860164SM	4	WASHER, Flat, 11/16" ID
0230	1718752SM	1	JACKSHAFT, Double D
0240	1720298SM	1	SPRING, Compression
0250	1718689SM	1	CLUTCH, Sliding, 1/5LG, Powdered Metal
0260	1720078ASM	1	ARM, Clutch
0270	2827732SM	1	RING, Retainer, Ext, # 74, 3/4 Dia.
0280	1718688SM	1	GEAR, 10 Tooth, Stationary, Clutch
0290	1679556SM	1	SPACER, Heat Treated, 31/100 LG
0300	1667330SM	1	SPROCKET, 36 Tooth
0310	1718687SM	1	GEAR, 10 Tooth, Double D
0320	703570	3	CAPSCREW, Hex Head, 5/16-18 x 1 1/4
0330	1960684SM	6	NUT, Hex Keps, 5/16-18
0340	1667341SM	4	BEARING, Retainer
0350	771808	4	BEARING, Ball 11/16X1-9/16X15/32
0360	1930601SM	8	CAPSCREW, Hex Washer Head, Taptite, 5/16-18 x 5/8
0370	1726931SM	1	SPROCKET, 10 Tooth
0380	1667335SM	1	COLLAR, Set, 1.251 ID x 2.00 OD x .50 Long
0390	1960348SM	2	SET SCREW, Hex Socket, Cup Point, 1/4-20 x 3/8
0400	1678956SM	2	COLLAR, Thrust, 1-1/4 ID x 2 OD
0410	1666207SM	1	PIN, LOOP 3/8 Dia. x 2-3/32 Lg
0420	1665995SM	1	HUB, Friction Disc
0430	1725428SM	1	DISC, Friction with Insert
0440	1921332SM	3	SCREW, Hex Head Cap, 5/16-18 X 3/4, GR5
0450	1736100SM	1	SHAFT, Hex, 3/4 x 11-3/8 Lg, w/Groove
0460	1735776YP	1	CAPSCREW, Hex Socket-Head, 5/16-18 x 2, G8
0470	1666106SM	1	BUSHING, 11/32 ID x 3/4 OD, 1-1/16 Long

Traction Drive Group

Note: Unless noted otherwise, use the standard torque specifications

Mfg. No: 1696927-00



Traction Drive Group

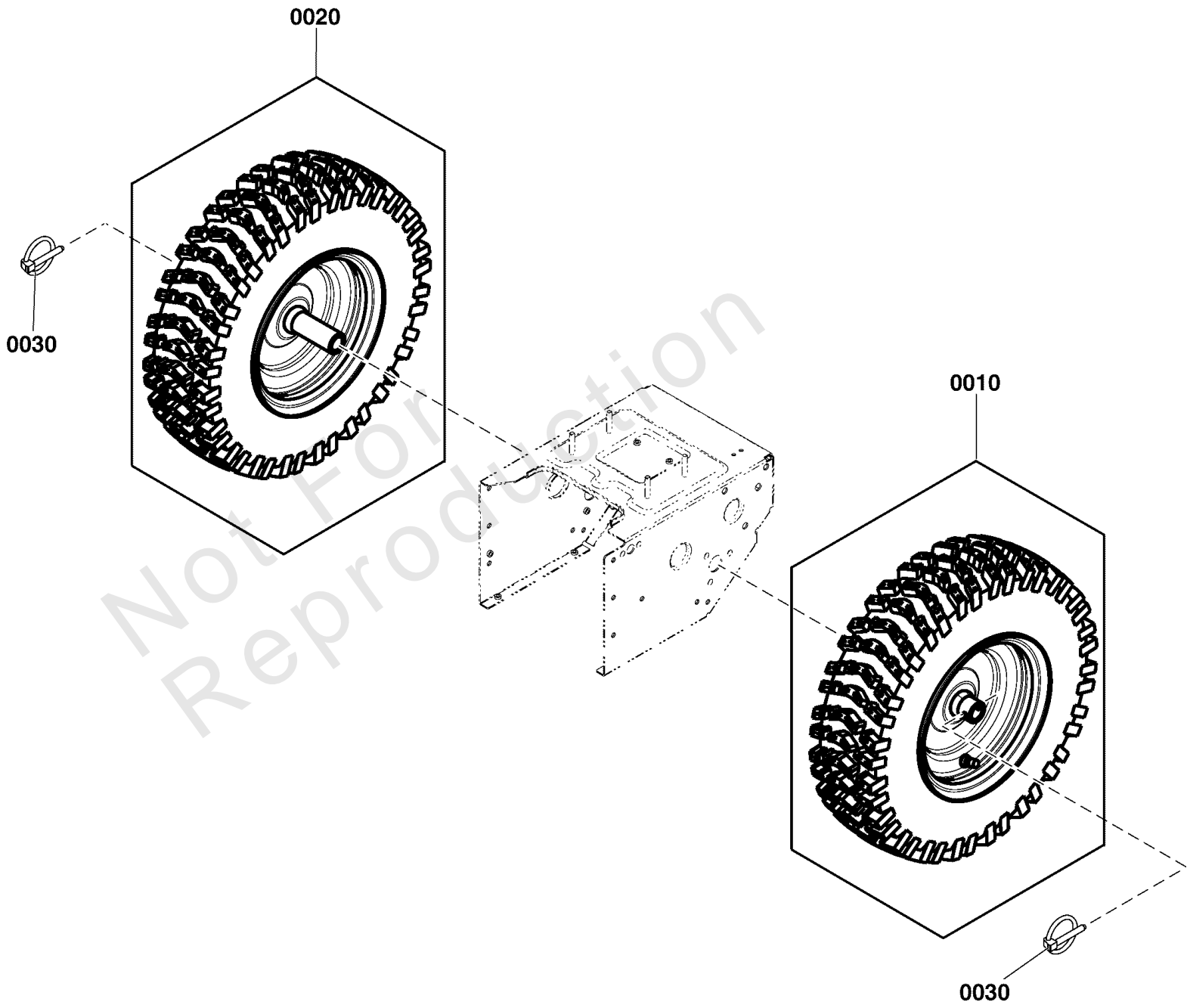
REF NO	PART NO	QTY	DESCRIPTION
0480	1700473SM	1	BELLCRANK
0490	1669256SM	1	ARM ASSY., Shift w/Bushings (Includes Ref. No. 31)
0500	1666114SM	1	BUSHING, Spacer, .380 ID x .750 OD x 1.030 Long
0510	1924940SM	1	WASHER, 3/8, .41 ID x .87 OD x .08 THK
0520	1923701SM	1	CAPSCREW, Hex Head, 3/8-16 x 2, GR5
0530	1668255SM	1	SPRING, Extension
0540	1666980SM	1	CHAIN, Roller, 22" Lg
0550	1960687SM	1	NUT, Hex Flange Nylock, ESNA, 3/8-16
0580	1736222YP	1	RING, Retaining External #87
0590	1919326SM	1	WASHER, 5/16
0600	95661YP	2	NUT, Hex, Nylock 1/4-20

Not For Reproduction

Wheel & Tire Group

Note: Unless noted otherwise, use the standard torque specifications

Mfg. No: 1696927-00



Wheel & Tire Group

REF NO	PART NO	QTY	DESCRIPTION
0010	770613	1	ASSEMBLY-WHEEL
0020	770614	1	ASSEMBLY-WHEEL
0030	703160	2	PIN

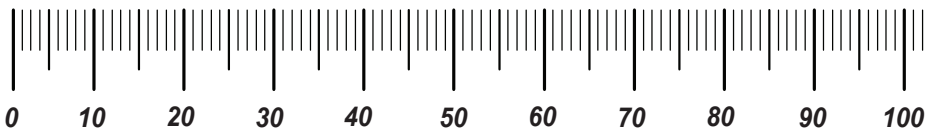
Not For Reproduction

Hardware Identification & Torque Specifications

Torque Specification Chart								
FOR STANDARD METRIC MACHINE HARDWARE (Tolerance ± 20%)								
Property Class	5.6		8.8		10.9		12.9	
	Class 5.6		Class 8.8		Class 10.9		Class 12.9	
Size Of Hardware	in/lbs	Nm.	in/lbs	Nm.	in/lbs	Nm.	in/lbs	Nm.
	ft/lbs		ft/lbs		ft/lbs		ft/lbs	
M3	5.88	.56	13.44	1.28	19.2	1.80	22.92	2.15
M4	13.44	1.28	30.72	2.90	43.44	4.10	52.56	4.95
M5	26.4	2.50	60.96	5.75	5.97	8.10	7.15	9.7
M6	44.64	4.3	7.3	9.9	10.3	14	12.1	16.5
M7	5.2	7.1	12.1	16.5	16.9	23	19.9	27
M8	7.7	10.5	17.7	24	25	34	29	40
M10	15	21	35	48	50	67	59	81
M12	26	36	61	83	86.2	117	103	140
M14	42	58	101	132	136	185	162	220
M16	64	88	147	200	210	285	250	340
M18	89	121	202	275	287	390	346	470
M20	126	171	290	390	405	550	486	660
M22	169	230	390	530	559	745	656	890
M24	217	295	497	375	708	960	840	1140
M27	320	435	733	995	1032	1400	1239	1680
M30	435	590	995	1350	1401	1900	1681	2280
M33	590	800	1349	1830	1902	2580	2278	3090
M36	759	1030	1740	2360	2441	3310	2935	3980
M39	988	1340	2249	3050	3163	4290	3798	5150

Torque Specification Chart						
FOR STANDARD MACHINE HARDWARE (Tolerance ± 20%)						
Hardware Grade	No Marks		SAE Grade 5		SAE Grade 8	
	SAE Grade 2		SAE Grade 5		SAE Grade 8	
Size Of Hardware	in/lbs	Nm.	in/lbs	Nm.	in/lbs	Nm.
	ft/lbs		ft/lbs		ft/lbs	
8-32	19	2.1	30	3.4	41	4.6
8-36	20	2.3	31	3.5	43	4.9
10-24	27	3.1	43	4.9	60	6.8
10-32	31	3.5	49	5.5	68	7.7
1/4-20	66	7.6	8	10.9	12	16.3
1/4-28	76	8.6	10	13.6	14	19.0
5/16-18	11	15.0	17	23.1	25	34.0
5/16-24	12	16.3	19	25.8	29	34.0
3/8-16	20	27.2	30	40.8	45	61.2
3/8-24	23	31.3	35	47.6	50	68.0
7/16-14	30	40.8	50	68.0	70	95.2
7/16-20	35	47.6	55	74.8	80	108.8
1/2-13	50	68.0	75	102.0	110	149.6
1/2-20	55	74.8	90	122.4	120	163.2
9/16-12	65	88.4	110	149.6	150	204.0
9/16-18	75	102.0	120	163.2	170	231.2
5/8-11	90	122.4	150	204.0	220	299.2
5/8-18	100	136	180	244.8	240	326.4
3/4-10	160	217.6	260	353.6	386	525.0
3/4-16	180	244.8	300	408.0	420	571.2
7/8-9	140	190.4	400	544.0	600	816.0
7/8-14	155	210.8	440	598.4	660	897.6
1-8	220	299.2	580	788.8	900	1,244.0
1-12	240	326.4	640	870.4	1,000	1,360.0

The guides and ruler furnished below are designed to help you select the appropriate hardware.

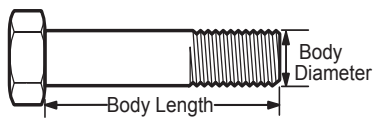


Nut, M8

Thread Diameter (mm)

Inside Diameter (in) Threads per inch

Nut, 1/2-16



Screw, M8- 1.25 x 25

Thread Diameter (mm) Distance between threads (mm) Body Length (mm)

Body Diameter Threads per inch Body Length (in)

Screw, 1/2- 16 x 2



Standard Hardware Sizing

When a washer or nut is identified as 1/2" (M8), this is the *Nominal size*, meaning the *inside diameter* is 1/2 inch (8mm metric thread diameter); if a second number is present it represents the *threads per inch* (distance between threads).

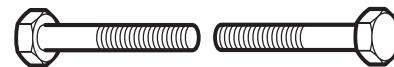
When bolt or capscrew is identified as 1/2 - 16 x 2" (M8 - 1.25 x 50), this means the *Nominal size*, or body diameter is 1/2 inch (8mm metric thread diameter), the second number, 16, represents the *threads per inch*, (*distance between threads*). The final number is the body length of the bolt or screw, 2 inches (50mm).

NOTES

- These torque values are to be used for all hardware excluding: locknuts, self-tapping screws, thread forming screws, sheet metal screws and socket head setscrews.
- Recommended seating torque values for locknuts:
 - for prevailing torque locknuts - use 65% of grade 5 torques.
 - for flange whizlock nuts and screws - use 135% of grade 5 torques.
- Unless otherwise noted on assembly drawings, all torque values must meet this specification.

Common Hardware Types

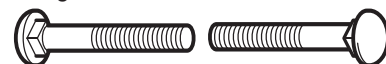
Hex Head Capscrew



Washer



Carriage Bolt



Hex Nut

Wrench & Fastener Size Guide

1/4" Bolt or Nut Wrench—7/16"	5/16" Bolt or Nut Wrench—1/2"	3/8" Bolt or Nut Wrench—9/16"	7/16" Bolt or Nut Wrench (Bolt)—5/8" Wrench (Nut)—11/16"	1/2" Bolt or Nut Wrench—3/4"
M6 Bolt or Nut Wrench—10mm	M8 Bolt or Nut Wrench—13mm	M10 Bolt or Nut Wrench—17mm	M12 Bolt or Nut Wrench—19mm	M14 Bolt or Nut Wrench—22mm

