



Husqvarna®



Xcite™ Z350, Xcite™ Z380

EN Operator's manual
ES-MX Manual del usuario
FR-CA Manuel d'utilisation

2-35
36-73
74-111

Contents

Conformity certificates.....	2	Troubleshooting.....	27
Introduction.....	2	Transportation, storage and disposal.....	30
Safety.....	8	Technical data.....	31
Operation.....	14	Service.....	33
Maintenance.....	19	Registered trademarks.....	35

Conformity certificates

USA requirements

Labels are placed on the engine and/or in the engine compartment stating that the machine will fulfill the requirements. This is also applicable to special requirements for any of the states, (California emission rules etc.). Do not remove these labels. Certificates can also be supplied with the machine at delivery or written in the Engine manual. Take care of them as they are valuable documents.



WARNING: Failure to follow cautious operating practices can result in dangerous injury to the operator or other persons. The owner must understand these instructions, and must let only approved persons who understand these instructions to operate the mower. Each person operating the mower must be of sound mind and body and must not be under the influence of mind altering substances.



WARNING: Engine exhaust, some of its constituents, and certain vehicle components contain or emit chemicals known to the State of California to cause cancer and birth defects or other reproductive harm.



WARNING: Battery posts, terminals and related accessories contain lead and lead compounds, chemicals known to the State of California to cause cancer and birth defects or other reproductive harm. Clean your hands after handling.



WARNING: Engine exhaust and certain vehicle components contain or emit chemicals considered to cause cancer, birth defects, or other reproductive system damage. The engine exhaust contains carbon monoxide, which is an odorless, colorless, poisonous gas. Do not use the machine in enclosed spaces.

When this product is worn out and no longer used, return it to the reseller or other party for recycling.

To implement improvements, specifications and designs can be altered without prior notification.

Use only original parts for repairs. The use of other parts voids the warranty.

Do not modify or install non-standard equipment to the unit without consent from the manufacturer. Modifications to the unit may cause unsafe operations or damage the unit.

Introduction

Pre-delivery inspection and product numbers

A pre-delivery inspection has been done of this product. Make sure that you receive a signed copy of the pre-delivery inspection document from your dealer.

Service agent contact information:	
This operator's manual is for product with product number / serial number:	
/	
Engine:	

Transmission:

The product numbers are found on the type plate. Refer to *Product overview on page 3* for the location of the type plate.

Product description

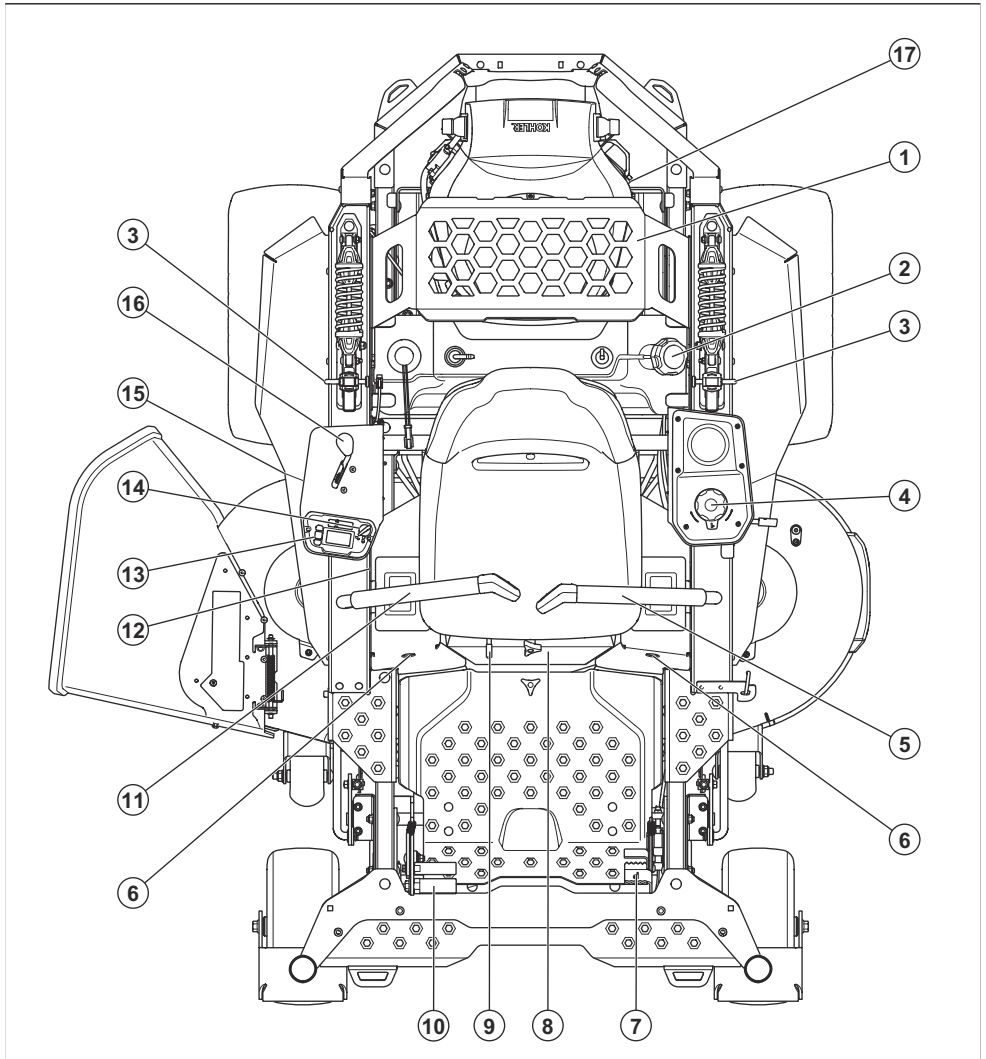
This product is a ride-on lawn mower. The control levers let the operator steer the product and adjust the speed

of the product. An hour meter shows how many hours the product has been used.

Intended use

The product is made to cut grass on open and level ground only. Do not use the product for other tasks.

Product overview

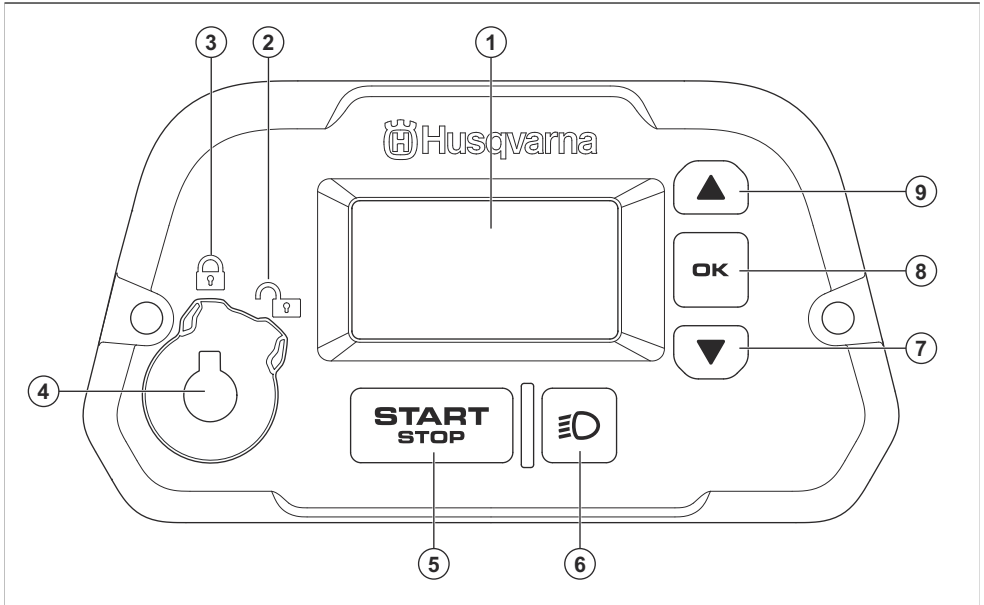


1. Accessory rack

2. Fuel tank

3. Seat suspension adjustment
4. Cutting height adjustment
5. Left control lever with start/stop button
6. Tracking control
7. Parking brake pedal
8. Battery compartment cover
9. Seat adjustment lever
10. Deck lifting pedal
11. Right control lever with PTO button
12. Fuses
13. Control panel
14. Key switch with key
15. Type plate
16. Throttle control
17. Oil drain plug

Control panel overview



1. Display
2. Push the up and down buttons on the control panel until the correct symbol is selected.
3. Push the OK button and wait 5 seconds. The selected symbol shows on the display together with the current value.
4. Key switch unlocked position
5. Engine START/STOP button
6. ON/OFF button for the headlights
7. Down button
8. OK button
9. Up button

Message types

There are 4 types of messages that can show on the display. A message is shown as a symbol or a combination of symbols.

To do selections on the display

You can select between engine speed, session time, battery status and ambient temperature to show on the display during operation. Refer to *Symbols on the control panel and display on page 7* for descriptions of the symbols.

1. Push the OK button on the control panel to open the menu structure.

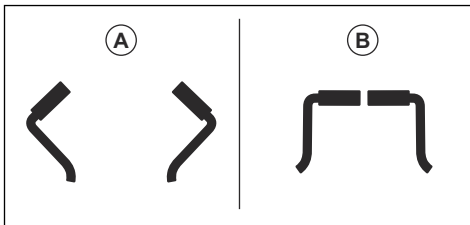
Message type	Description
Information message	In the lower right corner of the display. Shows an engaged function or that servicing is necessary.
Caution message	In the center of the display. Shows a condition that is not correct. Refer to <i>Caution messages on the display on page 28</i> .

Message type	Description
Warning message	In the center of the display. A warning triangle shows together with an additional symbol if there is a safety warning or if the product is damaged. Refer to <i>Warning messages on the display on page 29</i> .
Error message	In the center of the display. A warning triangle shows together with a number. The product cannot be operated until servicing is done. Speak to your Husqvarna servicing dealer.

Steering controls

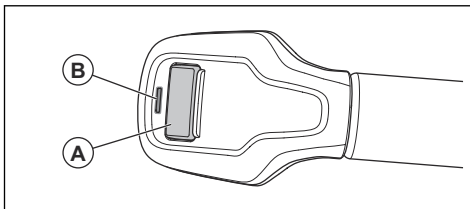
The direction of the product is controlled by the 2 control levers. Refer to *Product overview on page 3*. The right control lever has a PTO (Power Take-Off) button. The left control lever has a START/STOP button.

The control levers must be moved out to the park position (A) to start the product. The control levers can be moved forward and rearward from the neutral position (B). Refer to *To operate the product on page 17*.



PTO (Power Take-Off) button and LED indicator

The PTO button (A) is on the right control lever. The PTO button engages and disengages the PTO clutch and the cutting deck. The correct start conditions must be obeyed to engage the drive of the blades. Refer to *Operation conditions on page 12* for the correct start conditions.



- Push and hold the PTO button for approximately 1–2 seconds to engage the drive to the blades. A PTO symbol on the display shows that the drive to the blades is engaged.

- Push and hold the PTO button for approximately 1–2 seconds again to disengage the drive to the blades.

The LED indicator (B) adjacent to the PTO button shows the PTO status.

LED indicator	Description
Solid white	The drive to the blades is engaged, no errors.
Flashes yellow	When you push the PTO button: The drive to the blades cannot be engaged because the operator is not in the seat.
	During operation: The drive to the blades will soon disengage because the operator is not in the seat.
Flashes red	The drive to the blades is disengaged because the operator is not in the seat.
Solid red	The PTO function is defective. Servicing is necessary.

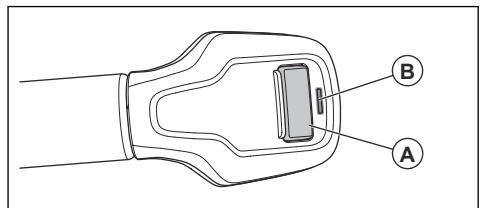
Engine START/STOP button and LED indicator

The engine START/STOP button (A) is on the left control lever.

Note: There is also an engine START/STOP button on the control panel. Refer to *Control panel overview on page 4*. The 2 engine START/STOP buttons have the same function.

The engine START/STOP button starts and stops the engine. The correct start conditions must be obeyed to start the engine. Refer to *Operation conditions on page 12* for the correct start conditions.

The LED indicator (B) adjacent to the engine START/STOP button on the left control lever gives information about the engine operation.



LED indicator	Description
Solid white	The engine is on, no errors.

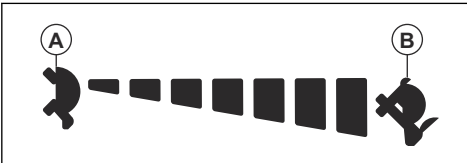
LED indicator	Description
Flashes yellow	The engine cannot start. The parking brake is not engaged, the control levers are in an incorrect position or the key switch is in locked position.
Flashes white	All operation conditions are obeyed. Start of the engine is possible.
Flashes red	The engine stopped because the parking brake is not engaged and the operator is not in the seat.
Solid red	The engine is damaged. Servicing is necessary.

Operator Presence Control (OPC)

The OPC engages when the operator lifts from the seat. The engine and the drive to the blades stop if the blades are engaged or the parking brake is not applied. Refer to *Operation conditions on page 12*.

Throttle control

The throttle control adjusts the speed of the engine and the speed of the blades if the blades are engaged. The throttle control has 2 end positions, idle speed and full throttle.



- Idle speed (A) - decreases the engine speed.
- Full throttle (B) - increases the engine speed.



CAUTION: Do not operate the engine at idle speed (A) for longer time than necessary. Too much operation time at idle speed can decrease the life of the spark plugs.

Fuses

The location of the fuses is in the fuse box. The fuse box is below the seat. Remove the battery compartment cover to get access to the fuse box. Refer to the decal on the fuse box for identification of the different fuses.

Hour meter

The product has an hour meter that shows how many hours the engine has operated. The hour meter is selected on the control panel display.

To read the hour meter

1. Push the OK button on the control panel to open the menu structure.
2. Push the down button on the control panel until the information symbol is selected.
3. Push the OK button. The display shows how many hours that the engine has been in operation.
4. To go back to the menu, push the down button 2 times and then push the OK button.

Symbols on the product



WARNING: This product can be dangerous and cause serious injury or death to the operator or others. Be careful and use the product correctly.



Read the operator's manual carefully and make sure that you understand the instructions before you use the product.



Stop the engine and remove the key before you do maintenance.



Keep a safe distance from the product.



Do not operate the product on slopes larger than 10°.



Do not park the product on slopes.



Do not keep passengers.



Look out for ejecting objects and ricochets.



Keep hands and feet away from the cutting deck.



Keep hands away from rotating parts.



Look out for persons and animals when you operate the product forward.



Look out for persons and animals when you operate the product rearward.



Do not sit on the accessory rack.



Do not put your foot here.



Control levers out.



Parking brake.



Cutting deck lift.



Engine speed – fast.



Engine speed – slow.



Neutral.



Reverse.



Fuel.



Do not operate the product without deflector or grass catcher.



Low cutting height.



High cutting height.



Warning! Battery acid is corrosive, explosive and flammable.



Keep body parts away from rotating parts.

yyyyywwxxxx

The rating plate shows the serial number. **yyyy** is the production year and **ww** is the production week.

Note: Other symbols/decals on the product refer to certification requirements for some commercial areas.

Symbols on the control panel and display

For information about caution symbols, refer to *Caution messages on the display on page 28*.



Start/stop the engine.



The key switch is unlocked.



The key switch is locked.



Headlights on.



Information.



Parking brake engaged.



Hour meter.



PTO (Power Take-Off) indicator. The drive of the blades is engaged.



Reset remaining hours to servicing.



Servicing.



Cancel reset of remaining hours to servicing.



Bluetooth®.



Confirm reset of remaining hours to servicing.



Fuel level.



Go back to previous menu.



Engine speed.

Product liability

As referred to in the product liability laws, we are not liable for damages that our product causes if:

- the product is incorrectly repaired.
- the product is repaired with parts that are not from the manufacturer or not approved by the manufacturer.
- the product has an accessory that is not from the manufacturer or not approved by the manufacturer.
- the product is not repaired at an approved service center or by an approved authority.



Elapsed time for the current session.



Battery.



Ambient temperature.

Safety

Safety definitions

Warnings, cautions and notes are used to point out specially important parts of the manual.



WARNING: Used if there is a risk of injury or death for the operator or bystanders if the instructions in the manual are not obeyed.



CAUTION: Used if there is a risk of damage to the product, other materials or the adjacent area if the instructions in the manual are not obeyed.

Note: Used to give more information that is necessary in a given situation.

General safety instructions



WARNING: Read the warning instructions that follow before you use the product



WARNING: This product is capable of amputating hands and feet and throwing objects. Failure to observe the following safety instructions could result in serious injury or death.

- Read, understand, and follow instructions and warnings in this document, the operator's manual and on the product, engine and attachments.
- Only allow operators, who are responsible, trained, familiar with the instructions, and physically capable to operate the product.
- Do not carry passengers and keep bystanders away.
- Do not operate the product while under the influence of alcohol or drugs.
- Follow the manufacturer's recommendation for wheel weights or counterweights.
- Learn how to use the product and its controls safely and learn how to stop the product quickly.
- Learn to recognize the safety decals.
- Keep the product clean to make sure that you can clearly read signs and stickers.
- Keep in mind that the operator will be held responsible for accidents that involve other persons or their property.
- Only use the product in daylight or in other well-lit conditions. Keep the product at a safe distance from holes or other irregularities in the ground. Look out for other possible risks.
- Do not let children or other persons not approved for operation of the product to use or do servicing on it. Local laws may regulate the age of the user.
- Make sure that nobody else is in the vicinity of the product when you start the engine, engage the drive or start to move the product.
- Keep an eye on the traffic when you mow near a road or move across a road.
- Do not use the product if you are fatigued, while under the influence of alcohol or drugs, medicine or anything that can have a negative effect on your vision, alertness, coordination or judgement.

- Always park the product on a level surface with the engine stopped.

Safety instructions regarding children



WARNING: Read the warning instructions that follow before you use the product.

- Tragic accidents can occur if the operator is not alert to the presence of children. Children are often attracted to the product and the mowing activity. Never assume that children will remain where you last saw them.
- Keep children out of the operating area and under the watchful care of a responsible adult other than the operator.
- Do not carry children, even with the blade(s) shut off. Children could fall off and be seriously injured or interfere with safe product operation. Children who have been given rides in the past could suddenly appear in the mowing area for another ride and be run over or backed over by the product.

Safety instructions for operation



WARNING: Read the warning instructions that follow before you use the product.



WARNING: Do not touch the engine or exhaust system during or directly after operation. The engine and the exhaust system become very hot during operation. Risk of burn injuries, fire and damage to property or adjacent areas. When you operate the product, keep away from bushes and other objects.

- Only operate the engine in well ventilated areas. Exhaust gases contain carbon monoxide, a deadly poison.
- Only operate the product in daylight or good artificial light.
- Avoid holes, ruts, bumps, rocks, or other hidden hazards. Uneven terrain could overturn the product, or cause operator to lose their balance or footing.
- Do not put hands or feet near rotating parts or under the product. Keep clear of the discharge opening at all times.
- Do not direct discharge material toward anyone. Avoid discharging material against a wall or obstruction. Material may ricochet back toward the operator. Stop the blade(s) when crossing gravel surfaces.
- Do not leave a running product unattended. Always park on level ground, disengage the attachment, set parking brake, and stop engine/motor.

- Do not mow in reverse unless absolutely necessary. Always look down and behind before and while backing.
- Decrease the speed before you turn around a corner.

Bluetooth®



CAUTION: Changes or modifications made to this equipment not expressly approved by Husqvarna may void the FCC authorization to operate this equipment.

Product marketing name (PMN): Voltron20x

Notice: This device complies with Part 15 of FCC Rules and with Innovation, Science and Economic Development Canada licence-exempt RSS standard. Operation is subject to the following two conditions:

- This device may not cause harmful interference
- This device must accept any interference received, including interference that cause undesired operation.

Note: This equipment has been tested and found to comply with the limits for a Class B digital device, pursuant to part 15 of the FCC Rules. These limits are designed to provide reasonable protection against harmful interference in a residential installation. This equipment generates, uses and can radiate radio frequency energy and, if not installed and used in accordance with the instructions, may cause harmful interference to radio communications. However, there is no guarantee that interference will not occur in a particular installation. If this equipment does cause harmful interference to radio or television reception, which can be determined by turning the equipment off and on, the user is encouraged to try to correct the interference by one or more of the following measures:

- Reorient or relocate the receiving antenna.
- Increase the separation between the equipment and receiver.
- Connect the equipment into an outlet on a circuit different from that to which the receiver is connected.
- Consult the dealer or an experienced radio/TV technician for help.

This product meets the applicable Innovation, Science and Economic Development Canada technical specifications.

To comply with FCC and ISED RF radiation exposure limits for general population / uncontrolled exposure, the antenna(s) used for this transmitter must be installed to provide a separation distance of at least 5 mm from all persons and must not be collocated or operating in conjunction with any other antenna or transmitter.

Le présent produit est conforme aux spécifications techniques applicables d'Innovation, Sciences et Développement économique Canada.

Le présent appareil est conforme aux CNR d'Innovation, Sciences et Développement économique Canada applicables aux appareils radio exempts de licence. L'exploitation est autorisée aux deux conditions suivantes:

- l'appareil ne doit pas produire de brouillage, et
- l'appareil doit accepter tout brouillage radioélectrique subi, même si le brouillage est susceptible d'en compromettre le fonctionnement.

Suppliers Declaration of Conformity for HusqvarnaXcite™ Z350, Xcite™ Z380

Responsible Party

Husqvarna Consumer Outdoor Products N.A., Inc.

8825 Statesville Road

Charlotte, NC 28269

United States

Telephone: +1 704 597 5000

E-mail: <http://www.husqvarna.com/us/support/e-mail>

Safety instructions for operation on slopes



WARNING: Read the warning instructions that follow before you use the product.

Slopes are a major factor related to accidents. Operation on slopes requires extra caution.

- Travel in the manufacturer recommended direction on slopes. Use caution while operating near dropoffs.
- Avoid mowing wet grass. The tires can lose traction.
- Do not operate product under any condition where traction, steering, or stability is in question. Tires could slide even if the wheels are stopped.
- Always keep the product in gear when going down slopes. Do not coast downhill.
- Avoid starting and stopping on slopes. Avoid making sudden changes in speed or direction. Make turns slowly and gradually.
- Use extra care while operating product with a grass catcher or other attachment(s). They can affect the stability of the product.
- To cut grass on slopes increases the risk that you can not control the product and that it overturns. This can cause injury or death. It is necessary to cut the grass carefully on all slopes. If you cannot reverse up a slope or if you do not feel safe, do not cut it.
- Remove stones, branches and other obstacles.
- Cut the grass on the slope up and down, not from side to side.
- Do not operate the product on ground that slopes more than 10°.
- Move smoothly and slowly on slopes.
- Look out for and do not move across furrows, holes and bumps. There is a higher risk that the product

overturns on ground that is not flat. Long grass can hide obstacles.

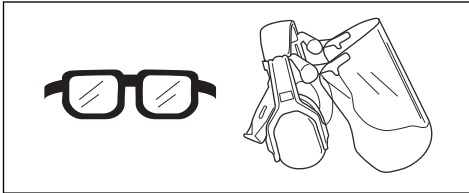
- Do not cut grass near edges, ditches or banks. The product can suddenly overturn if a wheel moves across the edge of a steep slope or a ditch, or if an edge gives way.

Personal protective equipment

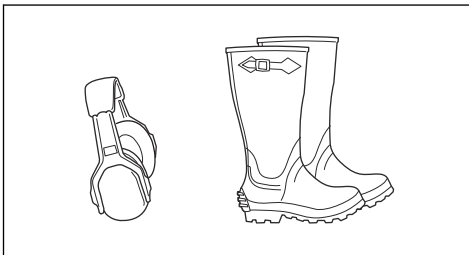


WARNING: Read the warning instructions that follow before you use the product.

- Use approved personal protective equipment when you use the product. Personal protective equipment cannot fully prevent injury but it decreases the degree of injury if an accident does occur. Let your dealer help you select the right equipment.
- Use approved eye protection. If you use a visor, you must also use approved protective goggles. Approved protective goggles must agree with the ANSI Z87.1 standard in the USA or EN 166 in EU countries.



- Always wear approved hearing protection. Long term exposure to noise can result in permanent hearing impairment.
- Always wear protective shoes or protective boots. Steel toes are recommended. Do not use the product barefoot.



- Wear gloves when necessary, for example when you attach, examine or clean the cutting equipment.
- Do not wear loose-fitting clothing, jewelry or other items that can get caught in moving parts.
- Keep first aid equipment and fire extinguisher close at hand.

Safety devices on the product



WARNING: Read the warning instructions that follow before you use the product.

- Do not use a product with safety devices that are damaged or do not operate correctly. Do a check of the safety devices regularly. If the safety devices are damaged, speak to your Husqvarna service agent.
- Do not make modifications on safety devices. Do not use the product if protective plates, protective covers, safety switches or other protective devices are not attached or are damaged.

Key switch and key

The key switch is on the control panel. To start the engine, the key must be in the key switch and the key switch must be in unlocked position.

To do a check of the key switch and key

- Start and stop the engine. Refer to *To start the engine on page 17* and *To stop the engine on page 18*.
- If the key switch and key operates correctly, the engine can only start when the key switch is in the unlocked position.

Accessory rack

The accessory rack is used for storage and transportation. The weight limit is 30 lb (13.6 kg).

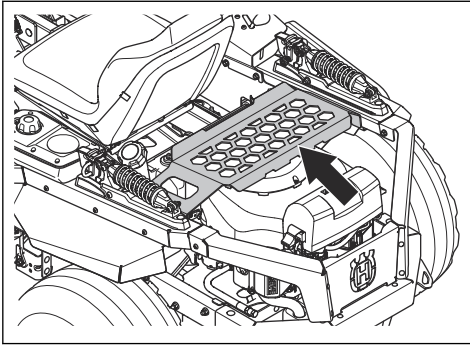


CAUTION:

- For transportation of liquids, use containers that are correctly sealed and not damaged to prevent spills on the engine.
- Attach items to the accessory rack with straps.



WARNING: Do not use the accessory rack as a seat.



Muffler



WARNING: Do not use the product if the muffler is missing or damaged. A muffler that is damaged or missing increases the noise level and the risk of fire.

The muffler keeps the noise levels to a minimum and sends the exhaust fumes away from the operator.

Examine the muffler regularly to make sure that it is attached correctly and not damaged.



WARNING: The muffler becomes very hot during and after use and when the engine operates at idle speed. Be careful near flammable materials and/or fumes to prevent fire.

To do a check of the muffler

- Examine the muffler regularly to make sure that it is attached correctly and not damaged.

Spark arrestor

This product has an internal-combustion engine. Do not use the product near vegetation without a spark arrestor that is approved by local or state laws. Federal laws apply on federal lands.

A spark arrestor for the muffler is available through your approved Husqvarna dealer.

Protective covers

Missing or damaged protective covers increase the risk of injury on moving parts and hot surfaces. Do a check of the protective covers before you operate the product. Make sure that the protective covers are correctly attached and do not have cracks or other damages. Replace damaged covers.

Fuel safety



WARNING: Read the warning instructions that follow before you use the product.



WARNING: Be careful with fuel. It is very flammable, and can cause injury and damage to property.

- Extinguish all cigarettes, cigars, pipes and other sources of ignition.
- Use only an approved fuel container.
- Do not remove fuel cap or add fuel with the engine running or while hot.
- Do not refuel indoors or in enclosed spaces.

Engine START/STOP button

The product has 2 engine START/STOP buttons: 1 on the control panel and 1 on the left control lever.

To do a check of the engine START/STOP buttons

1. Start the engine. Refer to *To start the engine on page 17*.
2. Push and hold the engine START/STOP button on the control panel for approximately 1–2 seconds and make sure that the engine stops.
3. Start the engine again.
4. Push and hold the engine START/STOP button on the left control lever for approximately 1–2 seconds and make sure that the engine stops.

Operation conditions

These conditions are necessary to start the engine:

- The control levers are in the park position.
- The parking brake is applied.
- The drive of the blades is disengaged.

The engine must stop in these situations:

- The parking brake is not applied and the operator lifts from the seat.
- The drive of the blades is engaged and the operator lifts from the seat.

Try to start the engine without 1 of the conditions. Change the conditions and try again. Do this check daily.

Parking brake



WARNING: If the parking brake does not work, the product can start to move and cause injury or damage. Make sure that the parking brake is regularly examined and adjusted.

Refer to *To do a check of the parking brake on page 22*.

- Do not store the product or fuel container, or refuel, where there is an open flame, spark, or pilot light such as on a water heater or other appliance.
- If fuel is spilled, do not attempt to start the engine and avoid creating any source of ignition until fuel vapors have dissipated.
- To help prevent fires: keep product free of grass, leaves, or other debris build up; clean up oil or fuel spillage and remove any fuel soaked debris; allow product to cool before storing.
- Use extra care in handling gasoline and other fuels. They are flammable and vapors are explosive.
- Gasoline and gasoline fumes are poisonous and very flammable. Be careful with gasoline to prevent injury or fire.
- Let the engine become cool before you refuel.
- Do not fill fuel near sparks or naked flames.
- If there are leaks in the fuel system, do not start the engine until the leaks are repaired.
- Do not fill above recommended fuel level. The heat from the engine and the sun makes the fuel expand and the fuel overflows if the tank is filled too much.
- Store the product and fuel in such a way that there is no risk that fuel leaks or fumes can cause damage.
- Keep flammable materials at a minimum clearance of 1 m when you charge the battery.
- Discard replaced batteries. See *Disposal on page 30*.
- Explosive gases can come from the battery. Do not smoke near the battery. Keep the battery away from open flames and sparks.

Safety instructions for maintenance



WARNING: Read the warning instructions that follow before you use the product.



WARNING: The product is heavy and can cause injury or damage to property or the adjacent area. Do not do maintenance on the engine or the cutting deck without these conditions:

- The engine is off.
- The product is parked on a level surface.
- The parking brake is applied.
- The ignition key in stop position and removed.
- The blades are disengaged.
- All moving parts have stopped.
- The ignition cables are removed from the spark plugs.



WARNING: Fluid escaping under pressure may have sufficient force to penetrate skin and cause serious injury. If fluid is injected into the skin, seek immediate medical attention. Keep body and hands away from pin holes or nozzles that eject fluid under high pressure. If a leak occurs, have the product immediately serviced by a trained technician.



WARNING: The exhaust fumes from the engine contain carbon monoxide, an odorless, poisonous and very dangerous gas. Do not run the product in closed spaces or spaces with no sufficient air flow.

Transport safety

- Do not tow this product.
- Use an approved transport vehicle for transportation of the product.
- A market's national or local regulations can set limit to the transportation of the product.
- The operator of the transport vehicle is responsible to attach the product safely during transport. Refer to *Transportation on page 30*.

Hauling

- Use full width ramps for loading and unloading a product for transport.

Battery safety



WARNING: A damaged battery can cause an explosion and cause injury. If the battery has a deformation or is damaged, speak to an approved Husqvarna service agent.



WARNING: Read the warning instructions that follow before you use the product.

- Use protective glasses when you are near batteries.
- Do not wear watches, jewelry or other metal objects near the battery.
- Keep the battery out of reach for children.
- Charge the battery in a space with good airflow.

- Keep the product in good working order. Replace worn or damaged parts.

Use caution when servicing blades. Wrap the blade(s) or wear gloves. Replace damaged blades. Do not repair or alter blade(s).

If equipped, disconnect spark plug wire(s) and the negative battery cable before making any repairs.

For best performance and safety, do maintenance on the product regularly as given in the maintenance

schedule. Refer to *Maintenance schedule on page 19*.

- Electrical shocks can cause injuries. Do not touch the cables when the engine is on. Do not do a function test on the ignition system with your fingers.
- Let the product become cool before you do maintenance near the engine.
- The blades are sharp and can cause cuts. Wind protection around the blades or use protective gloves when you do work on the blades.

- Do not turn the engine over if the spark plug or ignition cable is removed.
- Make sure that all nuts and bolts are tightened correctly and that the equipment is in good condition.
- Do not change the adjustment of governors. If the engine speed is too high, the product components can become damaged. Refer to *Technical data on page 31* for highest permitted engine speed.
- The product is approved only with the equipment supplied or recommended by the manufacturer.

Operation

Introduction



WARNING: Before you operate the product, you must read and understand the safety chapter.

Husqvarna Connect

Husqvarna Connect is a free app for your mobile device. The Husqvarna Connect app gives extended functions for your Husqvarna product.

- Extended product information.
- Information about, and help with, product parts and servicing.

Bluetooth® wireless technology

Products with built-in Bluetooth® wireless technology can connect to mobile devices and enables additional functions from Husqvarna Connect.

The symbol for *Bluetooth®* wireless technology comes on when your mobile device is connected to the product.



To start to use Husqvarna Connect

1. Download the Husqvarna Connect app on your mobile device.
2. Add in the Husqvarna Connect app.
3. Follow the instruction steps in the Husqvarna Connect app to connect and add the product.

Note: Husqvarna Connect app is not available for download in all markets. Speak to your servicing dealer for more information.

To operate the product for the first time



WARNING: Before you operate the product for the first time, you must read and understand this chapter.

- Use a decreased throttle speed and a decreased ground speed when you operate the product for the first time.
- Do not move the control levers to the fully forward position or the fully reverse position during the initial operation.
- Learn how to operate the movement of the product on a hard surface, for example concrete or asphalt, before you operate the product on a lawn for the first time.

To do before you operate the product



WARNING: Before you operate the product, you must read and understand the safety chapter.



WARNING: Before you operate the product, you must make sure that there are no stones or other objects in the work area that can be thrown by the rotating blades.

- Do the daily maintenance. Refer to *Maintenance schedule on page 19*.
- Make sure that there is sufficient fuel in the fuel tank.
- Set the cutting height. Refer to *To set the cutting height on page 16*.

To fill fuel



WARNING: Gasoline is very flammable. Be careful and refuel outdoors, refer to *Fuel safety on page 12*.



WARNING: The engine and the exhaust system become very hot during operation. Risk of burn injury. Let the engine and the exhaust system become cool before you fill fuel in the product.



WARNING: Do not use the fuel tank as a support area.



CAUTION: Incorrect type of fuel can result in engine damage.

The engine runs on gasoline with a minimum octane rating of 91 RON (87 AKI), not mixed with oil. We recommend biodegradable alkylate gasoline.

- Do a check of the fuel level before each use and refuel if it is necessary.
- Do not fill the fuel tank fully. Fill to the bottom of the fuel tank neck.

Fuel level

The fuel level shows on the display.

Symbol	Description
	The left indicator flashes. Remaining fuel is 0–10%.
	The left indicator is on. Remaining fuel is 11–25%.
	Two indicators are on. Remaining fuel is 26–50%.
	Three indicators are on. Remaining fuel is 51–75%.
	All 4 indicators are on. Remaining fuel is 76–100%.

To adjust the seat

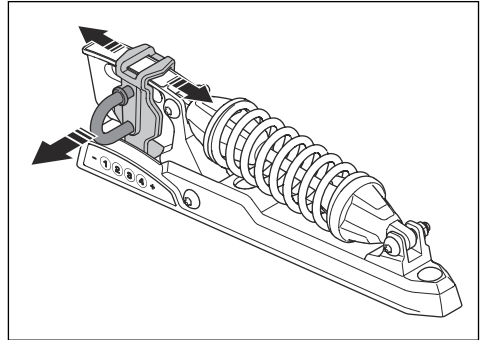
The position of the seat can be moved forward or rearward and the suspension of the seat can be adjusted. The suspension on the left side and right side of the seat are adjusted independently.



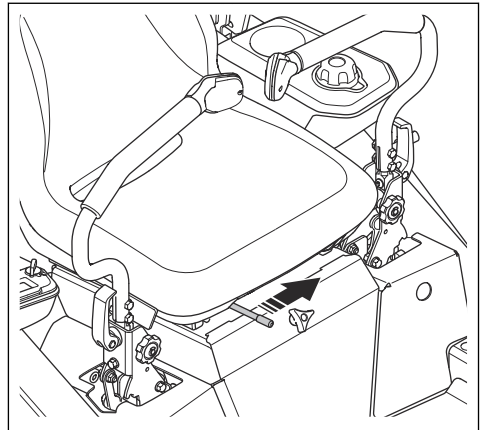
WARNING: Do not make adjustments to the seat when the product is in operation.

- To adjust the suspension, do these steps:

- Pull the handle on the suspension adjuster to release the pin.



- Move the handle in the direction of "-" for softer suspension.
 - Move the handle in the direction of "+" for harder suspension.
 - Do the same procedure on the suspension adjuster on the opposite side.
- To adjust the position of the seat, push the lever (B) below the seat to the side and push the seat forward or rearward.

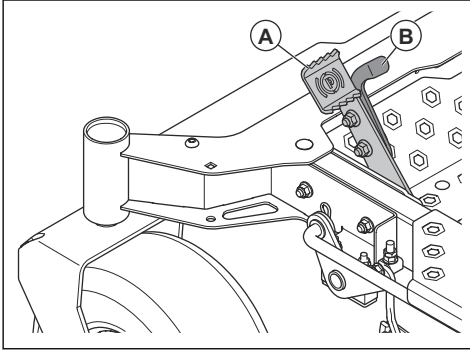


To engage and disengage the parking brake



CAUTION: The product must be stationary when you engage the parking brake.

- To engage the parking brake, push the large pedal (A) forward until the latch bracket engages the latch pin.



- To disengage the parking brake, push the small pedal (B) of the latch bracket and let the large pedal (A) and the small pedal (B) move back slowly.

To disengage and engage the drive system

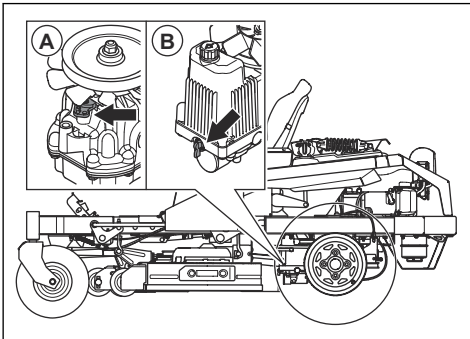


CAUTION: Only disengage or engage the drive system when the product is parked on level ground.

If it is necessary to move the product by hand, with the engine off, the drive system must be disengaged. The drive system is disengaged and engaged by the bypass valves. The bypass valves are found on the front of each transmission.

Follow the procedure below to disengage the drive system.

- Park the product on level ground and stop the engine. Do not engage the parking brake.
- Set the cutting deck to the lowest position.
- Move the bypass levers on each side of the product.



- For Xcite™ Z350: Push the 2 bypass levers (A) rearward.

- For Xcite™ Z380: Turn the 2 bypass levers (B) to the horizontal position.

- Push the product by hand.



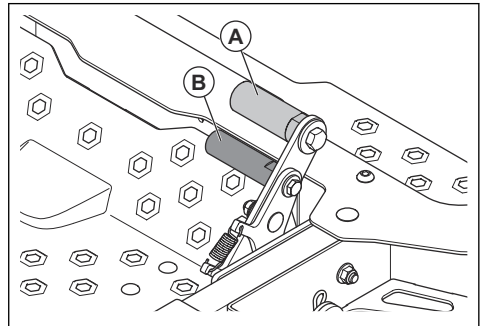
CAUTION: Do not push the control levers.

- To engage the drive system on Xcite™ Z350, push the bypass levers (A) forward.
- To engage the drive system on Xcite™ Z380, turn the bypass levers (B) to the vertical position.

To set the cutting deck in transport position or mow position

The cutting deck must be in transport position during transport.

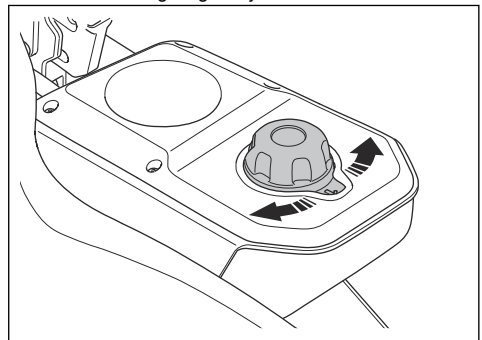
- To set the product in transport position, push the deck lift pedal (A) forward until the cutting deck latches in the transport position.



- To set the product in mow position, push the deck release pedal (B).

To set the cutting height

- Set the cutting deck in transport position. Refer to *To set the cutting deck in transport position or mow position on page 16.*
- Turn the cutting height adjustment knob.



- Turn clockwise to increase the cutting height.

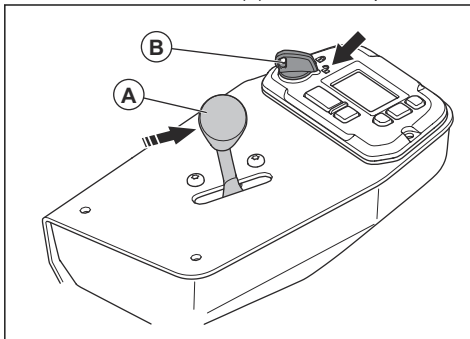
- b) Turn counterclockwise to decrease the cutting height.
3. Lower the cutting deck into mow position. Refer to *To set the cutting deck in transport position or mow position on page 16.*

Cutting height setting	Cutting height, in./cm
1	1.5/3.8
2	1.75/4.4
3	2.0/5.1
4	2.25/5.7
5	2.5/6.4
6	2.75/7.0
7	3.0/7.6
8	3.25/8.3
9	3.5/8.9
10	3.75/9.5
11	4.0/10.2
12	4.25/10.8

To start the engine

It is necessary to do the procedure in the correct order and with the correct conditions to start the engine. If a start condition is not met, a corresponding symbol shows on the display. Refer to *Caution messages on the display on page 28.*

1. Sit in the seat. The display comes on.
2. Set the cutting deck to the transport position. Refer to *To set the cutting deck in transport position or mow position on page 16.*
3. Engage the parking brake. Refer to *To engage and disengage the parking brake on page 15.*
4. Move the throttle control (A) to ½ throttle position.

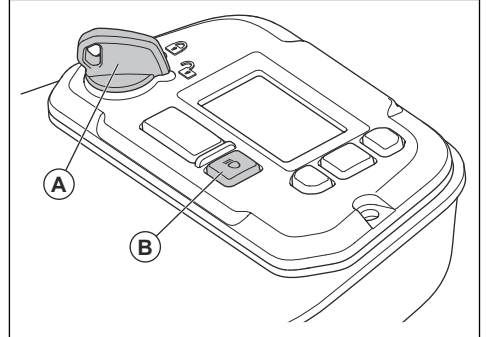


5. Put the key (B) into the key switch.

6. Turn the key switch to the unlocked position.
7. Set the control levers in park position.
8. Push and hold the START/STOP button on the control panel or on the left control lever for approximately 1–2 seconds to start the engine.
9. Let the engine run at ½ throttle for 3–5 minutes before you apply full throttle.
10. Push the throttle control to the full throttle position.

To operate the headlights

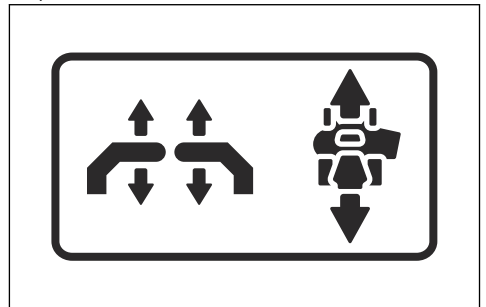
1. Make sure that the key switch is in the unlocked position (A).



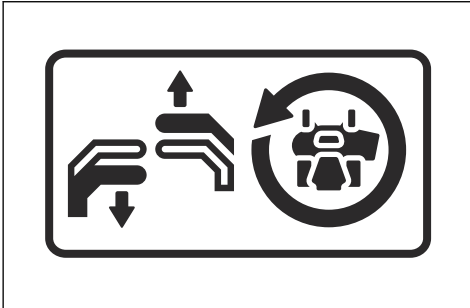
2. Push and hold the headlights button (B) for approximately 1–2 seconds. The headlights come on.
3. Push and hold the headlights button for approximately 1–2 seconds again. The headlights go off.

To operate the product

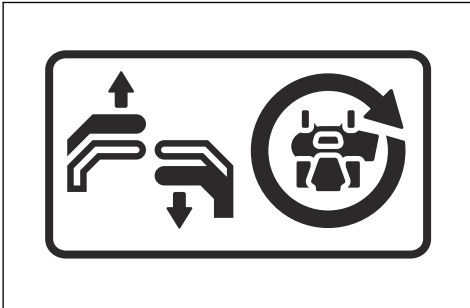
1. Start the engine. Refer to *To start the engine on page 17.*
2. Disengage the parking brake. Refer to *To engage and disengage the parking brake on page 15.*
3. Carefully push the 2 control levers forward. The product will start to move forward. The forward speed increases the more the 2 control levers are pushed forward.



4. Carefully pull the 2 control levers rearward. The product will start to move rearward. The rearward speed increases the more the 2 control levers are pulled rearward.
5. Put the 2 control levers in neutral position to decrease the speed and stop the product.
6. Do the steps that follow to turn left or right when you go in a forward direction.
 - a) Pull the left control lever rearward in the direction of the neutral position to make the product turn left. The more you pull the left control lever rearward, the more the product will turn left.



- b) Pull the right control lever rearward in the direction of the neutral position to make the product turn right. The more you pull the right control lever rearward, the more the product will turn right.

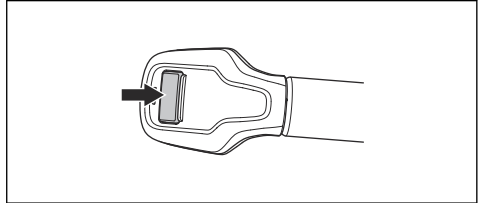


7. Do the steps that follow to make a zero turn.
 - a) Pull the 2 control levers rearward in the direction of the neutral position to decrease the speed or stop the product.
 - b) Move 1 control lever slightly forward and the other control lever slightly rearward to make a zero turn.
8. Lower the cutting deck to mow position. Refer to *To set the cutting deck in transport position or mow position on page 16*.
9. Push and hold the PTO button on the right control lever for approximately 1–2 seconds to engage the drive of the blades.

10. If it is necessary to adjust the cutting height during operation, refer to *To set the cutting height on page 16*.

To stop the engine

1. Move the 2 control levers to the park position to stop the movement of the product.
2. Engage the parking brake.
3. Push and hold the PTO button for approximately 1–2 seconds to disengage the drive of the blades.



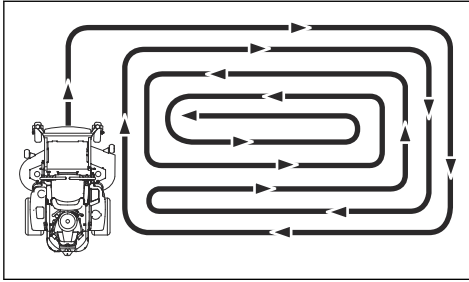
4. Put the cutting deck in the transport position.
5. Move the throttle control to the minimum throttle position.
6. Let the engine idle for a minimum of 1 minute until the engine is at usual operation temperature.
7. Push and hold the START/STOP button on the control panel or on the left control lever for approximately 1–2 seconds to stop the engine.
8. Turn the key switch to the locked position.
9. Remove the key from the key switch when you go away from the product.

To get a good cutting result

- For best performance, do maintenance on the product regularly as given in the maintenance schedule. Refer to *Maintenance on page 19*.
- Do not cut a wet lawn. Wet grass can give a bad cutting result.
- Start with a high cutting height and decrease it gradually.
- Use full throttle when you cut the grass.
- Move the product forward at low speed if the grass is high and thick.
- Cut the grass in an irregular pattern.

- When you cut large areas, move the product to the right during 1 or 2 turns around the work area. This procedure will keep the grass discharge away from shrubs, fences and driveways. After approximately 2 turns around the work area, cut in the opposite direction.

- When the mulch kit is used, cut the grass more frequently.
- To get the best cutting result, cut the grass frequently.



Maintenance

Introduction

X = The instructions are given in this operator's manual.

O = Refer to the engine manual for instructions.



WARNING: Before you do any maintenance work you must read and understand the safety chapter.

Maintenance schedule for the operator

Maintenance schedule

* = The instructions are not given in this operator's manual.

Maintenance	Daily maintenance		Do maintenance at a minimum of 1 time each year	Maintenance interval in hours		
	Before	After		25	100	500
Do a check of the parking brake.	X		X	X	X	X
Do a check of the engine oil level.	O					
Do a check of the safety system.	X					
Make sure that there are no fuel or oil leaks from the product.	*					
Make sure that there are no damages on the product.		*				
Make sure that there are no loose parts.		*				
Do a check for damages on the cutting deck.		*				
Do a check of the cutting deck for adjustment.			X			X

Maintenance	Daily maintenance		Do maintenance at a minimum of 1 time each year	Maintenance interval in hours		
	Before	After		25	100	500
Do a check of the tire pressure.				X	X	X
Do a check of the battery connections.			X	X	X	X
Do a check of the throttle cable.					O	O
Do a check of the front wheels.			X		X	X
Do a check of the clearance of the engine valve. ¹			*			*
Clean the air intake of the engine. ²			O	O	O	O
Clean the bottom side of the cutting deck.		X				
Clean around the engine.		*				
Clean around the belts and the belt pulleys.		*			*	*
Do a check of the belts and the belt pulleys.			X		X	X
Clean the foam pre-filter (if equipped). ³			O	O	O	O
Replace the foam pre-filter (if equipped). ⁴			O			
Clean the paper filter cartridge. ⁵			O	O	O	O
Examine the muffler and spark arrester screen.			*		*	*
Start the engine and blades and listen for unusual sounds.		*				
Sharpen the blades. ⁶			X	X	X	X
Replace the blades.			X	X	X	X
Replace the spark plugs.			O		O	O
Replace the engine oil. ⁷			O		O	O

¹ Must be done by approved service agent.

² In conditions with dust, cleaning and replacement must be done more frequently.

³ In conditions with dust, cleaning and replacement must be done more frequently.

⁴ In conditions with dust, cleaning and replacement must be done more frequently.

⁵ In conditions with dust, cleaning and replacement must be done more frequently.

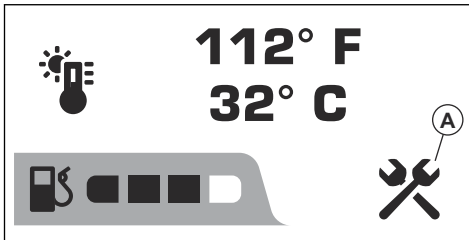
⁶ Must be done by approved service agent.

⁷ Replace the engine oil after the first 8-10 hours of operation. During heavy load or high ambient temperatures, replace the engine oil each 50 hours.

Maintenance	Daily maintenance		Do maintenance at a minimum of 1 time each year	Maintenance interval in hours		
	Before	After		25	100	500
Replace the engine oil filter.			0	0	0	
Replace the fuel filter.			0	0	0	
Replace the paper air filter. ⁸			0	0	0	

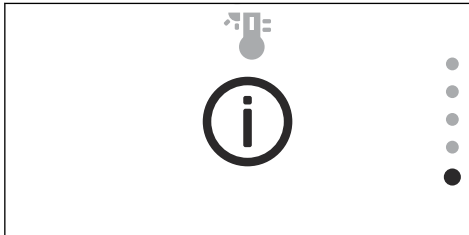
Servicing interval

When the product is at a servicing interval, the servicing symbol (A) shows on the display. The servicing symbol stays on the display until the servicing timer is reset.

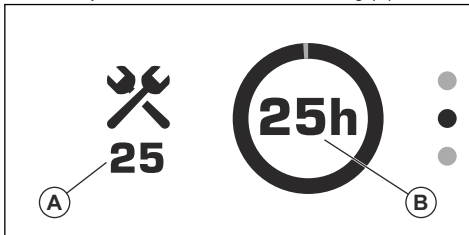


To reset the servicing timer

1. Push the OK button on the control panel to open the menu structure.
2. Push the down button on the control panel until the information symbol is selected.

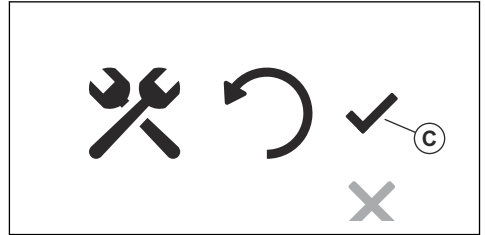


3. Push the OK button. The display shows the hour meter.
4. Push the down button on the control panel one time. The display shows the next servicing interval (A) and the elapsed time since the last servicing (B).



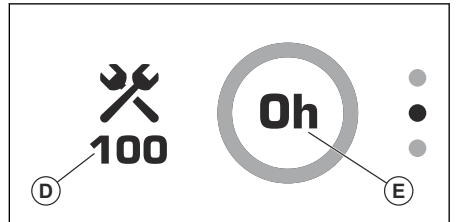
5. Push the OK button.

- a) To reset the servicing timer, push the OK button when the check mark (C) is selected.



- b) To cancel the reset, push the down button and push the OK button when the "X" symbol is selected.

The display shows the next servicing interval (D) and the elapsed time since the last servicing (E).



6. Push the down button and then push the OK button to go back to the main menu.

To clean the product



CAUTION: Do not use a high-pressure washer or a steam cleaner. Water can go into bearings and electrical connections and cause corrosion which causes damage to the product.

Clean the product immediately after use.

- Do not clean hot surfaces such as the engine, muffler and exhaust system. Wait until the surfaces are cool, then remove the grass or dirt.

⁸ In conditions with dust, cleaning and replacement must be done more frequently.

- Before you clean with water, clean with a brush. Remove grass and dirt on and around the transmission, the transmission air intake, and the engine.
- Use running water from a hose to clean the product. Do not use high-pressure.
- Do not point the water at electrical components or bearings. Detergent usually increases the damage.
- Use compressed air to clean the top side of the mower deck.
- Use a water hose to clean below the cutting deck.
- When the product is clean, start the cutting deck for a short period to remove remaining water.

To clean the engine and the muffler

Keep the engine and muffler free from grass cuttings and dirt. Grass cuttings soaked in fuel or oil on the engine can increase the fire risk and the risk that the engine becomes too hot. Let the engine cool before it is cleaned. Clean with water and a brush.

Grass cuttings around the muffler dry quickly and are a fire risk. Use a brush or remove the grass cuttings with water when the muffler is cold.

To clean the battery

Corrosion and dirt on the battery and the terminals can cause the power of the battery to decrease.

1. Remove the battery. Refer to *To remove and install the battery on page 23*.
2. Flush the battery with water and let dry.



CAUTION: Do not use a high-pressure washer or a steam cleaner. Water can go into bearings and electrical connections and cause corrosion which causes damage to the product.

3. Clean the terminals and the cable ends of the battery cables with a wire brush.

To do a check of the parking brake

1. Park the product on a slope with a hard surface.

Note: Do not park the product on a grass slope when you do a check of the parking brake.

2. Engage the parking brake.
3. If the product starts to move with the parking brake engaged, let an approved service agent adjust the parking brake.
4. Disengage the parking brake.

To charge the battery

- Charge the battery if it is too weak to start the engine. Refer to *Battery charging times on page 32* for battery charging times.
- Use a standard battery charger.



CAUTION: Do not use a boost charger or start booster. A boost charger or a start booster will cause damage to the electrical system of the product.

- Always disconnect the battery charger before you start the engine.

To do an emergency start of the engine

If the battery is too weak to start the engine, you can use jumper cables to do an emergency start. This product has a 12 V system with negative ground. The product that is used for the emergency start must also have a 12 V system with negative ground.

To connect the jumper cables

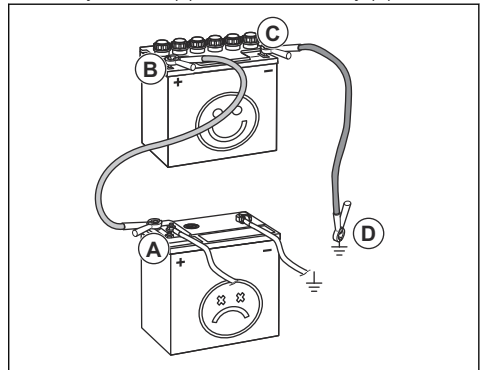


WARNING: Risk of explosion because of explosive gas that comes from the battery. Do not connect the negative terminal of the fully charged battery to or near the negative terminal of the weak battery.



CAUTION: Do not use the battery of the product to start other vehicles.

1. Connect one end of the red cable to the POSITIVE battery terminal (+) on the weak battery (A).



2. Connect the other end of the red cable to the POSITIVE battery terminal (+) on the fully charged battery (B).



WARNING: Do not short circuit the ends of the red cable against the chassis.

3. Connect one end of the black cable to the NEGATIVE battery terminal (-) on the fully charged battery (C).

4. Connect the other end of the black cable to a CHASSIS GROUND (D), away from the fuel tank and the battery.

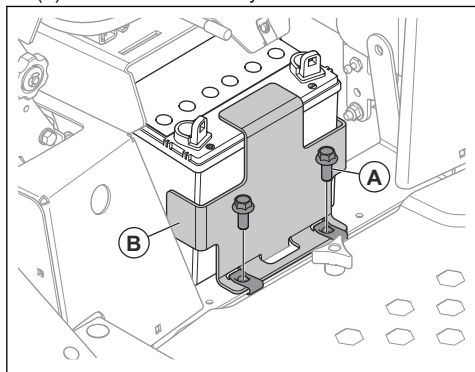
To remove the jumper cables

Note: Remove the jumper cables in the opposite sequence to how you connect them.

1. Remove the BLACK cable from the chassis.
2. Remove the BLACK cable from the fully charged battery.
3. Remove the RED cable from the 2 batteries.

To remove and install the battery

1. Remove the battery compartment cover below the seat.
2. Remove the 2 screws (A) from the battery bracket (B) and remove the battery bracket.



3. Use a wrench to disconnect the black battery cable from the negative (-) terminal on the battery.
4. Use a wrench to disconnect the red battery cable from the positive (+) terminal on the battery.
5. Carefully remove the battery from the product.
6. Install in the opposite sequence.

To adjust the tracking speed

If the product does not move straight forward, the tracking speed must be adjusted.



WARNING: Always adjust the tracking speed in an open area without bystanders.

1. Do a check of the tire pressure. Refer to *Tire pressure on page 23*.
2. Turn the tracking controls fully in. Refer to *Product overview on page 3* for the location of the tracking controls.
3. Turn the tracking controls out 4 turns.



CAUTION: More than 4 turns can cause damage to the product.

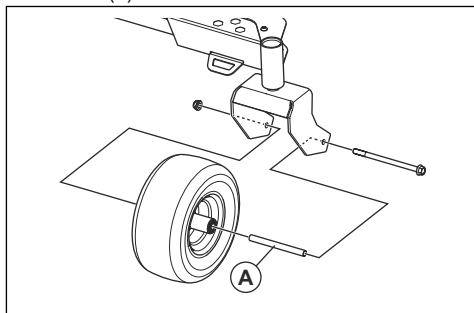
4. Start the product.
5. Move the control levers forward fully and operate the product at full throttle.
6. Turn the tracking control on the right side gradually until the product starts to move right.
7. Turn the tracking control on the left side gradually until the product starts to move straight forward.

Tire pressure

Make sure to have the correct tire pressure on all 4 tires. Refer to *Technical data on page 31*.

To remove and install the front wheels

1. Remove the nut and the bolt to remove the front wheels from the forks. It is not necessary to remove the tube (A).



2. Install in the opposite sequence. Torque the nut and bolt to 60–85 ft-lbs / 81–115 Nm.



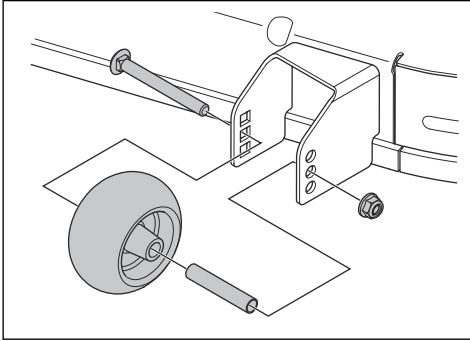
CAUTION: Make sure that the tube (A) is installed correctly. If the tube is not installed, the performance will be bad and the life of the wheel is decreased.

To adjust the anti-scalp rollers

The anti-scalp rollers keep the cutting deck in the correct position on the ground and prevent lawn scalping in most terrain conditions. The anti-scalp rollers can be set in 3 positions for different lengths of grass:

- Top position: 1.5–2.5 in. / 38–64 mm grass.
 - Middle position: 2.5–4 in. / 64–102 mm grass.
 - Bottom position: 4–5 in. / 102–127 mm grass.
1. Park the product on level ground and stop the engine.

- Remove the nut, the bolt, the axle and the anti-scalp roller.

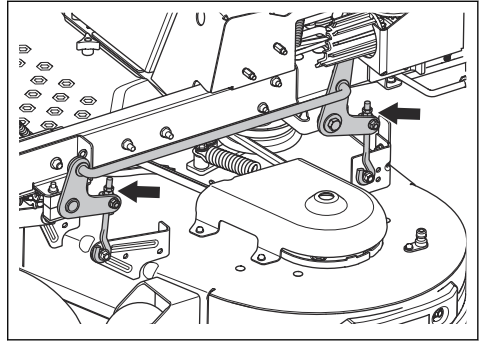


- Install the anti-scalp roller in one of the 3 positions.

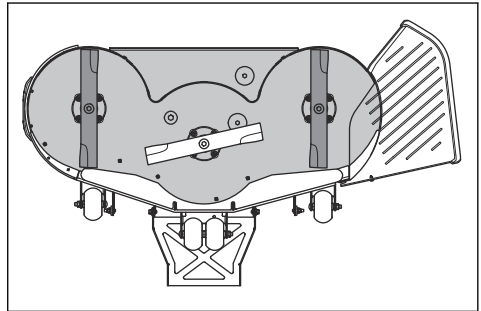


CAUTION: The cutting deck can become damaged if the anti-scalp rollers are incorrectly adjusted. The anti-scalp rollers must be approximately 1/4 in. / 6.4 mm from the ground.

- Measure the distance between the ground and the bottom of the blade tip on the side opposite to the discharge side. The distance must be the same as the distance for the discharge side. If adjustment is necessary, adjust the locknut on the top of the rear links until the 2 side to side distances are equal.



- Turn the 2 outer blades to align with the cutting deck front to rear.



- Adjust the 2 front bolts until the rear blade tips are set 1/8–3/8 in. / 3.2-9.5 mm higher in the rear than in the front blade tips.
- Measure the distances again to make sure that the cutting deck has been adjusted correctly.

To examine the blades



CAUTION: Damaged or incorrectly balanced blades can cause damage to the product. Replace damaged blades. Let an approved service agent help you sharpen and balance blunt blades.

- Look at the blades to see if they are damaged and if it is necessary to sharpen them.

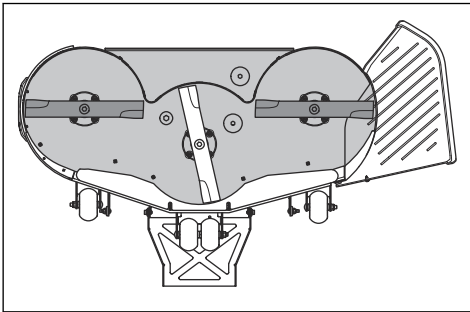
To replace the blades

- Remove the blade bolt.
- Assemble the new blade with the side without stamps in the direction of the cutting deck.

To adjust the parallelism of the cutting deck

This procedure will set the cutting deck in a standard position.

- Make sure that the tire pressure is correct. Refer to *Tire pressure* on page 23.
- Park the product on a level surface.
- Turn the outer blade tips to align with the cutting deck side to side.



WARNING: The blades on the cutting deck are sharp and can cause injury. Use protective gloves.

- Measure the distance between the ground and the bottom of the blade tip on the discharge side of the cutting deck. Make a note of the distance.



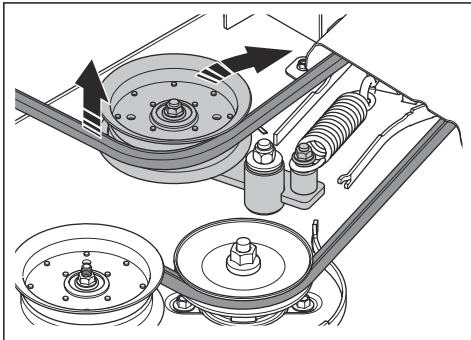
WARNING: Incorrect blade type can cause objects to eject from the cutting deck and cause serious injury. Use only approved blades.

3. Attach the blade bolt. Torque the bolt to 61–75 Nm.

To remove the deck belt

Park the product on level ground and engage the parking brake before you do this task.

1. Set the cutting deck in the lowest position.
2. Remove the 2 belt covers.
3. Remove dirt and unwanted materials from around the cutter housings and the cutting deck surface.
4. Push in the idler arm to decrease the tension on the deck belt and carefully remove the deck belt from the pulleys.



5. Remove the deck belt from the electric clutch on the engine shaft.

To install the deck belt

1. Put the deck belt around the electric clutch pulley on the engine shaft.
2. Put the deck belt around the pulleys on the cutting deck.

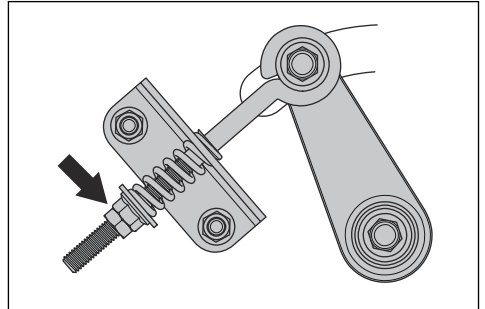
Note: Refer to the routing decal on the cutting deck when you install the deck belt.

3. Push in the idler arm until you can put the deck belt around the stationary idler pulley and hold it there.
4. Carefully put the deck belt around the stationary idler pulley and slowly release the idler arm back into position.
5. Make sure that the belt routing align with the belt routing shown on the belt routing decal.
6. Make sure that the deck belt is not twisted.
7. Install the 2 belt covers.

To remove the pump belt

Park the product on level ground and engage the parking brake before you do this task.

1. Lift the rear of the product and put supports below it.
2. Remove the drive wheels.
3. Remove the deck belt. Refer to *To remove the deck belt on page 25*.
4. Remove the clutch stop to get access to the pump belt.
5. Loosen the nuts on the eye bolt to decrease the tension in the pump belt.



6. Remove the pump belt from the engine and the pump pulleys.

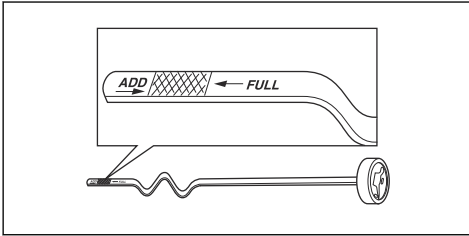
To install the pump belt

1. Loosen the nuts on the eye bolt to decrease the tension in the pump belt.
2. Put the pump belt around the right and left pump pulleys.
3. Put the pump belt around the engine pulley.
4. Install the clutch stop.
5. Turn the nut on the eye bolt on the idler pulley to adjust the tension of the pump belt. The length of the spring must be 1.38–1.50 in.
6. Install the deck belt. Refer to *To install the deck belt on page 25*.
7. Install the drive wheels.
8. Remove the supports and lower the rear of the product.

To do a check of the engine oil level

1. Park the product on level ground and stop the engine.
2. Loosen the dipstick and pull it out.
3. Clean the oil from the dipstick.
4. Put the dipstick in the hole for the dipstick and tighten it.
5. Loosen and pull the dipstick out and read the oil level.

- The oil level must be between the marks on the dipstick. If the level is near the ADD mark, fill oil to the FULL mark.



- Fill the oil through the hole for the dipstick. Fill the oil slowly.

Note: Refer to *Technical data on page 31* for the types of engine oil that Husqvarna recommends. Do not mix different types of oil.

- Tighten the dipstick fully before you start the engine.

To replace the engine oil

If the engine is cold, start the engine for 1–2 minutes before you drain the engine oil. This makes the engine oil warm and faster to drain.



WARNING: Do not operate the engine for more than 1–2 minutes before you drain the engine oil. The engine oil becomes very hot and can cause burn injuries. Let the engine become cool before you drain the engine oil.



WARNING: If you spill engine oil on your body, clean with soap and water.

- Park the product on level ground and stop the engine.
- Engage the parking brake. Refer to *To engage and disengage the parking brake on page 15*.
- Remove all dirt around the oil tank cap.
- Remove the oil tank cap and the dipstick.
- Find the oil drain plug on the engine. Refer to *Product overview on page 3*.
- Put a container below the oil drain plug.
- Remove the oil drain plug.
- Let the oil run out into the container.
- Replace and install the oil drain plug.

- Fill with new oil and do a check of the engine oil level. Refer to *To do a check of the engine oil level on page 25*.

- Install the oil tank cap and the dipstick.

Note: For safe disposal of used engine oil, refer to *Disposal on page 30*.

Lubrication, general information

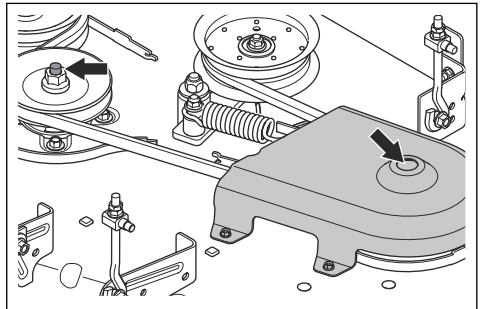
- Remove the ignition key to prevent accidental movements during lubrication.
- Clean the area before you lubricate a part on the product.
- Use oil when you lubricate with an oil can.
- When you lubricate with grease, use a chassis or ball bearing grease that prevents corrosion. Remove unwanted grease after lubrication.
- Lubricate 2 times a week if you operate the product daily.
- Do not spill lubricant on the drive belts or the grooves of the belt pulleys. If you do spill, clean with alcohol. If the friction between the drive belt and the pulley is not sufficient after you clean with alcohol, replace the drive belt.



CAUTION: Do not use gasoline or other petroleum products to clean drive belts.

To lubricate the cutting deck spindles

- Set the cutting deck in mow position.
- Lubricate each cutting deck spindle 2-3 strokes.



Note: Use a grease gun with a rubber hose when you lubricate the cutting deck spindles.

Troubleshooting


Troubleshooting schedule





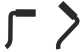

If you cannot find a solution to your problems in this operator's manual, speak to your Husqvarna service agent.

Problem	Cause
The engine does not start.	The drive of the blades is engaged. Refer to <i>PTO (Power Take-Off) button and LED indicator on page 5.</i>
	Steering controls are not locked in the neutral position.
	The battery is too weak. Refer to <i>To charge the battery on page 22.</i>
	There is dirt in the carburetor or fuel line.
	The fuel filter or fuel line is clogged.
	The ignition system is damaged.
The starter motor does not turn the engine over.	The battery is too weak. Refer to <i>To charge the battery on page 22.</i>
	The connection at the cable connectors on the battery terminals is bad. Refer to <i>To clean the battery on page 22.</i>
	A fuse is blown. Refer to <i>Fuses on page 6.</i>
	The OPC is damaged. Refer to <i>Operator Presence Control (OPC) on page 6.</i>
The engine does not run smoothly.	The carburetor is incorrectly set.
	The fuel filter or fuel jet is clogged.
	The check valve on the fuel tank cap is clogged.
	The fuel tank is almost empty.
	The spark plug is damaged.
	Incorrect fuel mix or fuel type.
	There is water in the fuel.
	The air filter is clogged.
The engine apparently has no power.	The air filter is clogged.
	The spark plug is damaged.
	The carburetor is incorrectly set.
	There is air in the hydraulic system.
There is vibration in the product.	The blades are loose. Refer to <i>To examine the blades on page 24.</i>
	One or more of the blades are not balanced. Refer to <i>To examine the blades on page 24.</i>
	The engine is loose.

Problem	Cause
The engine becomes too hot.	The air filter or the cooling fins are clogged.
	There is overload in the engine.
	The airflow around the engine is not sufficient.
	The engine speed regulator is damaged.
	The oil level is too low.
	There is dirt in the fuel line.
	The spark plug is damaged.
The battery does not charge.	The connection at the cable connectors on the battery terminals is bad. Refer to <i>To clean the battery on page 22</i> .
	The charging cable is disconnected.
	The charging system is damaged.
The product moves slowly, with irregular speed or not at all.	The bypass linkages are engaged.
	The drive belt on the transmission is loose or damaged.
	There is air in the hydraulic system.
The drive of the blades do not engage.	The drive belt on the mower deck is loose.
	The electromagnetic coupling contact is loose.
	The drive of the blade is damaged or loose from the cable connectors.
	A fuse is blown.
The transaxle leaks oil.	The seals, housing or gaskets are damaged.
	There is air in the hydraulic system.
The cutting result is unsatisfactory.	The tire pressure is different on the right and left sides. Refer to <i>Tire pressure on page 23</i> .
	The blades are damaged.
	The suspension of the cutting deck is not level.
	The blades are blunt. Refer to <i>To examine the blades on page 24</i> .
	The product is operated at too high forward or rearward speed. Refer to <i>To get a good cutting result on page 18</i> .
	The grass is long. Refer to <i>Symbols on the product on page 6</i> .
	There is grass blockage in the cutting deck. Refer to <i>To clean the product on page 21</i> .

Caution messages on the display






Symbol	Name	Cause
	Operator presence control (OPC) indicator	The product stops because the operator is not in the seat and the parking brake is not engaged.


Symbol	Name	Cause
	Parking brake indicator	The parking brake is engaged.
	Key switch indicator	The product cannot start if the key switch is in locked position.
		The product stops if the key switch is moved from unlocked to locked position.
	Control lever indicator	The control levers are in the park position.
	Control lever indicator	One of the control levers is not in the neutral position.
		
	Control lever indicator	The control levers are in the neutral position.

Warning messages on the display

together with an error number, speak to your Husqvarna servicing dealer.

A warning indicator flashes and the symbol for the type of warning shows. If the warning indicator shows

Symbol	Name	Cause
	Warning indicator	Safety warning. The other symbol shows the warning type.
	Headlights	The headlights are on.
	Battery level indicator	The battery has low voltage. Refer to <i>To charge the battery on page 22.</i>
	PTO (Power Take-Off) indicator	The drive of the blades is engaged.
	Parking brake indicator	The parking brake is engaged.

Symbol	Name	Cause
	Engine indicator	There is an engine problem.

Transportation, storage and disposal

Transportation

- Do not tow the product.
- The product is heavy and can cause crush injuries. Be careful when you load it onto or off a vehicle or trailer.
- Load the product in reverse on approved ramps of a maximum operation angle of 10°. Do not lift the product.
- Use an approved trailer for transportation of the product.
- Make sure that you have knowledge of local road traffic regulations before transportation of the product in a trailer or on roads.
- Lock the product with approved devices, such as straps. Use tie-down points on the product or applicable areas of the frame. The parking brake is not sufficient to lock the product during transportation.

to decrease the risk of fire. Let the product become cool before you put it in storage.

- Clean the product, refer to *To clean the product on page 21*.
- Remove unwanted materials from the cooling fan.
- Repair paint damages to prevent corrosion.
- Examine the product for worn or damaged parts and tighten loose screws and nuts.
- Remove the battery. Clean it, charge it, and keep it cool during storage.
- Replace the engine oil, and discard the waste oil.
- Empty the fuel tank. Start the engine and run it until there is no remaining fuel in the carburetor.

Note: Do not empty the fuel tank and carburetor if a stabilizer has been added.

- Remove the plugs and put about a tablespoon of engine oil into each cylinder. Manually turn the engine shaft to apply the oil and put the plugs back on.
- Lubricate all grease nipples, joints and axles.
- Keep the product in a clean and dry area and put a cover on it for more protection.

Storage

Prepare the product for storage at the end of the season, and before more than 30 days of storage. If you keep fuel in the fuel tank for 30 days or more, tacky particles can cause blockage in the carburetor. This has a negative effect on the engine function.

To prevent tacky particles during storage, add a stabilizer. If alkylate gasoline is used, stabilizer is not necessary. If you use standard gasoline, do not change to alkylate gasoline. This can cause sensitive rubber parts to become hard. Add stabilizer to the fuel in the tank or in the container used for storage. Always use the mixing ratios given by the manufacturer. Add the stabilizer and run the engine for a minimum of 10 minutes, until the fuel flows into the carburetor.



WARNING: Do not keep the product with fuel in the tank in an indoor location or in locations with bad airflow. Risk of fire if fuel fumes come near open flames, sparks, or pilot lights in for example boilers, hot water tanks and clothes dryers.

Disposal

- Chemicals can be dangerous and must not be discarded on the ground. Always discard used chemicals at a service center or an applicable disposal location.
- When the product is worn out, send it to the dealer or to an applicable recycling location.
- Oil, oil filters, fuel and the battery can have negative effects on the environment. Obey the local recycling requirements and applicable regulations.
- Do not discard the battery as domestic waste.
- Send the battery to a Husqvarna service agent or discard it at a disposal location for used batteries.



WARNING: Remove grass, leaves and other flammable materials from the product

Technical data

Technical data

	Xcite™ Z350	Xcite™ Z380
Engine		
Brand/model	Kohler/KT735	Kohler/KT745
Nominal engine output, hp/kW ⁹	24/17.9	26/19.3
Displacement, cm ³	725	747
Max. engine speed, rpm	3600 ± 75	3600 ± 75
Fuel, min. octane grade lead-free, max 10% Ethanol, max 15% MTBE	87	87
Tank volume, gal/l	4.31/16.3	4.31/16.3
Oil	Class SF, SG, SH, SJ or SL SAE40, SAE30, SAE20W-50, SAE10W-40, SAE10W-30, SAE5W-20	Class SF, SG, SH, SJ or SL SAE40, SAE30, SAE20W-50, SAE10W-40, SAE10W-30, SAE5W-20
Oil volume, incl. filter, oz/l	64/1.9	64/1.9
Oil volume, excl. filter, oz/l	66.6/2	66.6/2
Lubrication system	Pressure with oil filter	Pressure with oil filter
Cooling system	Air cooled	Air cooled
Air filter	Heavy duty canister	Heavy duty canister
Alternator, V. amp. @ 3600 rpm	12 V 15 amp @ 3500 ± 100 rpm	12 V 15 amp @ 3500 ± 100 rpm
Start motor	Electric start 12 V	Electric start 12 V
Dimensions		
Length, in./cm	78.75/200.3	78.75/200.3
Width, in./cm	49.5/126	49.5/126
Width including chute up, in./cm	53.9/137	53.9/137
Width including chute down, in./cm	68/172.7	68/172.7
Height, in./cm	42.5/108	46/116.8
Weight, with no fuel, lb/kg	794/360.2	828/375.6
Max. gross vehicle weight rating (GVWR), lb/kg ¹⁰	1300/589.6	1300/589.6
Max. gradient, degrees °	10	10
Cutting width, in./cm	54/137	54/137

⁹ The power rating as declared by the engine manufacturer is the average gross power output at the specified RPM of a typical production engine for the engine model measured using SAE Standards for engine gross power. Refer to the engine manufacturer engine specifications.

¹⁰ The Max. gross vehicle weight rating (GVWR) is the maximum weight capacity of a fully loaded product. This includes the operator, all accessories, options, equipment, and cargo.

	Xcite™ Z350	Xcite™ Z380
Cutting height, in./cm	1.5-4.5/3.9-11.4	1.5-4.5/3.9-11.4
Cutting deck		
Deck construction	10 gauge fabricated	10 gauge fabricated
Number of blades	3	3
Blade length, in./cm	21/53	21/53
Blade engagement	Ogura Clutch	Ogura Clutch
Productivity, acres/h / m ² /h	3.48/14083	3.92/15863
Tires		
Tire pressure, front, kPa/PSI/bar	103/15/1	103/15/1
Tire pressure, rear, kPa/PSI/bar	103/15/1	103/15/1
Front tires, in.	13 x 6.5-6	13 x 6.5-6
Rear tires, turf pneumatic, in.	20 x 10-10	22 x 10-10
Anti-scalp roller	4 adjustable	4 adjustable
Transmission		
Transmission	Tuff Torq TZ-350	Parker HTE 10
Transmission oil	Tuff Torq Tuff Tech	Parker HT-1000, Castrol Syntec 5W-50, Amsoil AW ISO 68, Shell TTF-SB, other premium synthetic (15W40 min.)
Steering control	Dual levers, foam gripped	Dual levers, foam gripped
Maximum speed forward, mph / km/h	8/12.87	9/14.48
Maximum speed reverse, mph / km/h	3.5/5.63	4.5/7.24
Brakes	Mechanical parking brake	Mechanical parking brake
Electrical system		
Battery	12 V 230 CCA Class	12 V 230 CCA Class
Spark plug	XC12YC	XC12YC
Electrode gap, in./mm	0.03/0.76	0.03/0.76
Spark plug torque, ft-lb/Nm	22/27	22/27

Battery charging times

STD battery	State of charge	Approximate charging time to full charge at 80° F / 26° C ¹¹			
		Maximum rate at:			
		50 Amps	30 Amps	20 Amps	10 Amps
12.6 V	100%	Fully charged			

¹¹ Battery charging time can be different because of battery capacity, condition, age, temperature and efficiency of the charger.

STD battery	State of charge	Approximate charging time to full charge at 80° F / 26° C ¹¹			
		Maximum rate at:			
		50 Amps	30 Amps	20 Amps	10 Amps
12.4 V	75%	20 min	35 min	48 min	90 min
12.2 V	50%	45 min	75 min	95 min	180 min
12.0 V	25%	65 min	115 min	145 min	280 min
11.8 V	0%	85 min	150 min	195 min	370 min

Service

Do a yearly check at an authorized service center to make sure that the product functions safely and at its best during high season. The best time to do a servicing or overhaul of the product is low season.

When you send an order for the spare parts, give information about the purchase year, model, type, and serial number.

Always use original spare parts.

¹¹ Battery charging time can be different because of battery capacity, condition, age, temperature and efficiency of the charger.

Registered trademarks

The *Bluetooth*[®] word mark and logos are registered trademarks owned by *Bluetooth SIG, inc.* and any use of such marks by Husqvarna is under license.

Contenido

Certificados de conformidad.....	36	Solución de problemas.....	63
Introducción.....	36	Transporte, almacenamiento y eliminación de residuos.....	67
Seguridad.....	44	Datos técnicos.....	69
Funcionamiento.....	49	Servicio.....	71
Mantenimiento.....	55	Marcas comerciales.....	73

Certificados de conformidad

Requisitos para EE. UU.

En el motor y/o en el compartimiento del motor hay etiquetas que indican que la máquina cumple con los requisitos. Esto también es aplicable a requisitos especiales para cualquiera de los estados, (normas de emisiones de California, etc.). No quite estas etiquetas. También es posible que se incluyan certificados con la máquina en el momento de su entrega o que estén escritos en el manual del motor. Cuídelos porque son documentos valiosos.



ADVERTENCIA: Si no se siguen con precaución las prácticas de funcionamiento, puede provocar lesiones importantes para el operador u otras personas. El propietario debe entender estas instrucciones y debe asegurarse de que solo personas autorizadas que comprenden estas instrucciones operarán el cortacésped. Cada persona que hace funcionar el cortacésped debe estar bien tanto física como mentalmente y no debe estar bajo la influencia de sustancias que alteren las facultades mentales.



ADVERTENCIA: Los gases de escape del motor, algunos de sus componentes y algunos componentes del vehículo contienen o emiten químicos que según el Estado de California provocan cáncer y malformaciones congénitas u otros daños reproductivos.



ADVERTENCIA: Los postes de batería, terminales y accesorios relacionados contienen plomo y compuestos de plomo, sustancias químicas que según el Estado de California provocan cáncer y malformaciones congénitas u otros daños reproductivos. Límpiense las manos después de su manipulación.



ADVERTENCIA: Los gases de escape del motor y ciertos componentes del vehículo contienen o emiten productos químicos que se consideran causantes de cáncer, malformaciones congénitas u otros daños en el sistema reproductor. Los gases de escape del motor contienen monóxido de carbono, un gas venenoso, inodoro e incoloro. No utilice la máquina en espacios cerrados.

Si este producto está deteriorado y ya no se usa, devuélvalo al distribuidor o a un tercero para su reciclaje.

Para implementar mejoras, las especificaciones y diseños pueden modificarse sin previo aviso.

Utilice únicamente piezas originales para las reparaciones. El uso de otras piezas anula la garantía.

No modifique ni instale equipo no estándar en la unidad sin el consentimiento del fabricante. Las modificaciones a la unidad pueden provocar operaciones inseguras o daños en la unidad.

Introducción

Inspección previa a la entrega y números de producto

A este producto se le hizo una inspección antes de la entrega. Asegúrese de que su distribuidor le entregue

una copia firmada del documento de inspección previa a la entrega.

Información de contacto del taller de servicio:	
---	--

Este manual de usuario es para el producto con el número de producto/número de serie:	
---	--

/	
Motor:	
Transmisión:	

Los números de producto se encuentran en la placa de identificación. Consulte *Descripción general del producto en la página 38* para ver la ubicación de la placa de identificación.

Descripción del producto

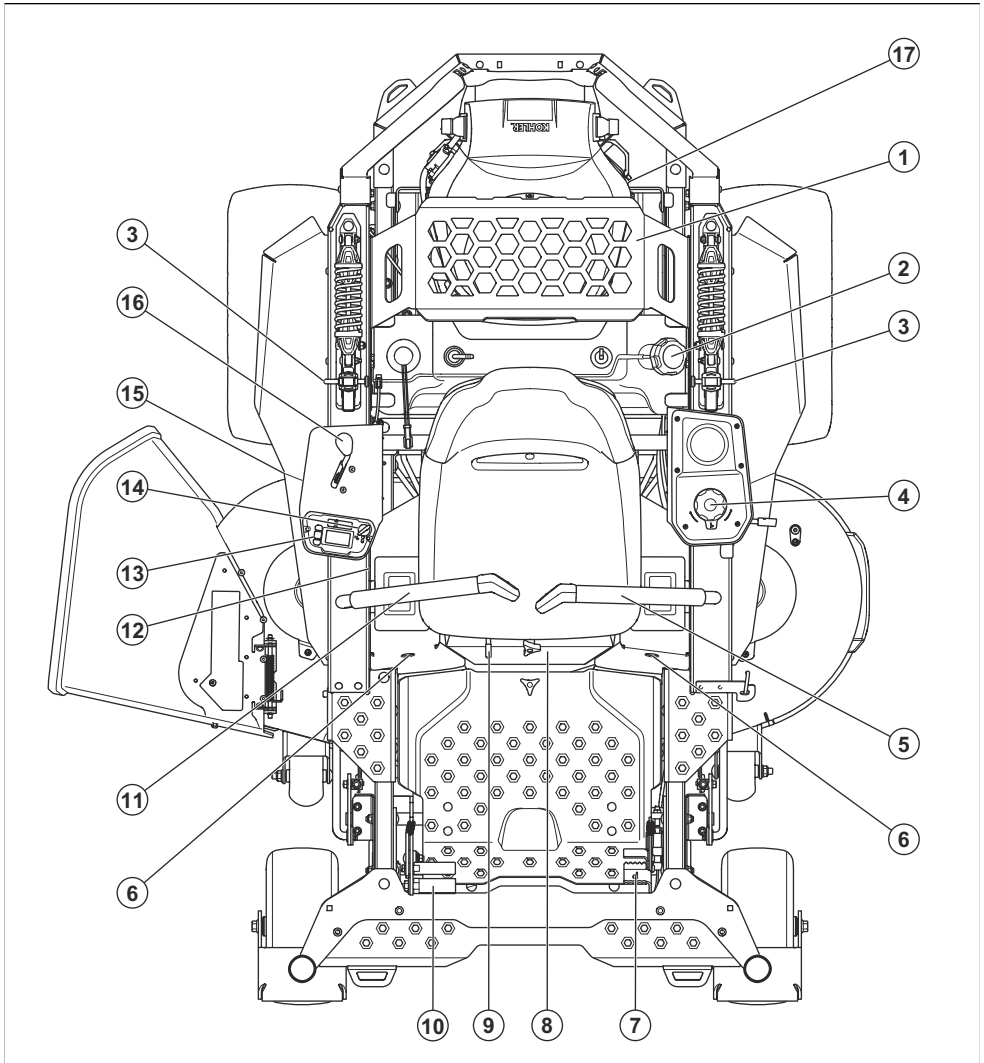
Este producto es un cortacésped motorizado. Las palancas de control permiten que el operador dirija el producto y ajuste la velocidad del producto. Un medidor

de horas muestra cuántas horas se ha utilizado el producto.

Uso previsto

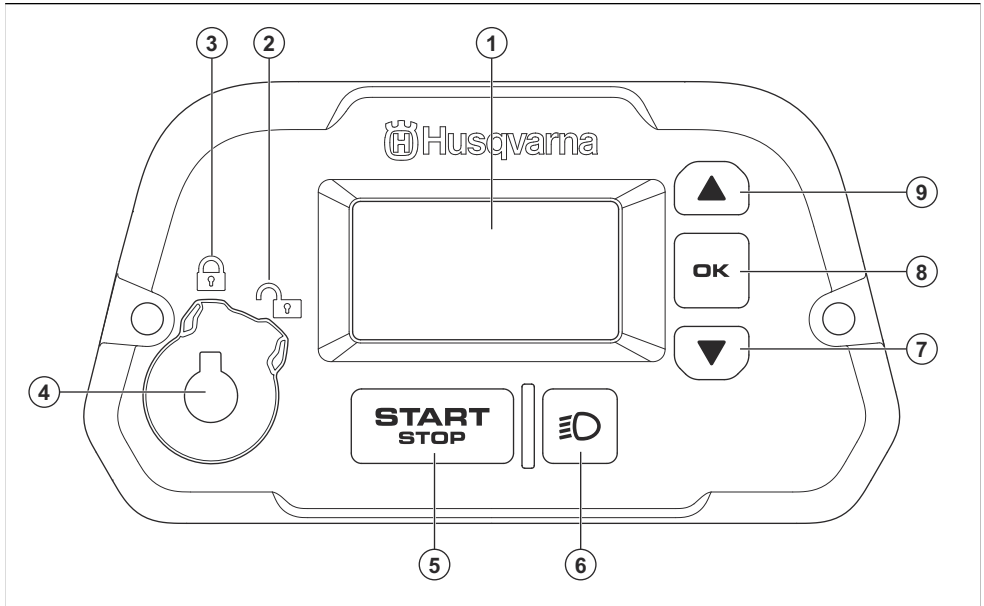
El producto está hecho para cortar césped solo en un terreno abierto y nivelado. No utilice el producto para otras tareas.

Descripción general del producto



- | | |
|--|---|
| 1. Estante para accesorios | 10. Pedal de elevación del equipo |
| 2. Depósito de combustible | 11. Palanca de control derecha con botón de la toma de fuerza |
| 3. Ajuste de la suspensión del asiento | 12. Fusibles |
| 4. Ajuste de altura del corte | 13. Panel de control |
| 5. Palanca de control izquierda con botón start/stop | 14. Interruptor de llave con llave |
| 6. Control de seguimiento | 15. Placa de identificación |
| 7. Pedal del freno de estacionamiento | 16. Control del acelerador |
| 8. Cubierta del compartimento de la batería | 17. Tapón de vaciado de aceite |
| 9. Palanca de ajuste del asiento | |

Descripción general del panel de control



1. Pantalla
2. Posición desbloqueada del interruptor de llave
3. Posición bloqueada del interruptor de llave
4. Interruptor de llave
5. Botón START/STOP del motor
6. Botón ON/OFF de los faros
7. Botón de flecha hacia abajo
8. Botón ACEPTAR
9. Botón de flecha hacia arriba

Para realizar selecciones en la pantalla

Puede seleccionar entre velocidad del motor, tiempo de sesión, estado de la batería y temperatura ambiente para que aparezca en la pantalla durante el funcionamiento. Consulte *Símbolos en el panel de control y la pantalla en la página 43* para obtener descripciones de los símbolos.

1. Presione el botón OK en el panel de control para abrir la estructura del menú.
2. Presione los botones hacia arriba y hacia abajo en el panel de control hasta seleccionar el símbolo correcto.
3. Presione el botón OK y espere 5 segundos. El símbolo seleccionado se muestra en la pantalla junto con el valor actual.

Tipos de mensajes

Hay 4 tipos de mensajes que se pueden mostrar en la pantalla. Un mensaje se muestra como un símbolo o una combinación de símbolos.

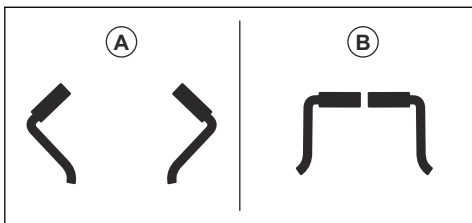
Tipo de mensaje	Descripción
Mensaje de información	En la esquina inferior derecha de la pantalla. Muestra una función conectada o que se debe realizar el mantenimiento.
Mensaje de precaución	En el centro de la pantalla. Muestra una condición que no es correcta. Consulte <i>Mensajes de precaución en la pantalla en la página 66</i> .
Mensaje de advertencia	En el centro de la pantalla. Se muestra un triángulo de advertencia junto con un símbolo adicional si hay una advertencia de seguridad o si el producto está dañado. Consulte <i>Mensajes de advertencia en la pantalla en la página 66</i> .

Tipo de mensaje	Descripción
Mensaje de error	En el centro de la pantalla. Se muestra un triángulo de advertencia junto con un número. El producto no se puede operar hasta que se realice el mantenimiento. Consulte a su taller de servicio Husqvarna.

Controles de la dirección

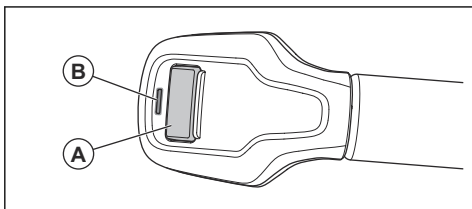
La dirección del producto se controla mediante las 2 palancas de control. Consulte *Descripción general del producto en la página 38*. La palanca de control derecha tiene un botón de toma de fuerza (PTO, del inglés "Power Take-Off"). La palanca de control izquierda tiene un botón START/STOP.

Las palancas de control deben moverse a la posición de estacionamiento (A) para arrancar el producto. Las palancas de control se pueden mover hacia delante y hacia atrás desde la posición neutra (B). Consulte *Para hacer funcionar el producto en la página 53*.



Botón e indicador LED de la toma de fuerza (PTO)

El botón de la PTO (A) está en la palanca de control derecha. El botón de la PTO acopla y desacopla el embrague de la PTO y el equipo de corte. Se deben respetar las condiciones correctas de arranque para activar la transmisión de las cuchillas. Consulte *Condiciones de funcionamiento en la página 47* para conocer las condiciones correctas de arranque.



- Mantenga presionado el botón de la toma de fuerza durante aproximadamente 1 a 2 segundos para acoplar la transmisión a las cuchillas. Un símbolo de la toma de fuerza en la pantalla muestra que la transmisión a las cuchillas está acoplada.

- Mantenga presionado el botón de la toma de fuerza durante aproximadamente 1 a 2 segundos para desacoplar la transmisión de las cuchillas.

El indicador LED (B) junto al botón de la PTO muestra el estado de la PTO.

Indicador LED	Descripción
Blanco continuo	La transmisión de las cuchillas está acoplada sin errores.
Amarillo parpadeante	Cuando presione el botón de la PTO: La transmisión a las cuchillas no se puede acoplar porque el operador no está en el asiento. Durante el funcionamiento: La transmisión a las cuchillas se desacoplará pronto porque el operador no está en el asiento.
Rojo parpadeante	La transmisión a las cuchillas se desacopla porque el operador no está en el asiento.
Rojo continuo	La función de la PTO está defectuosa. Se requiere mantenimiento.

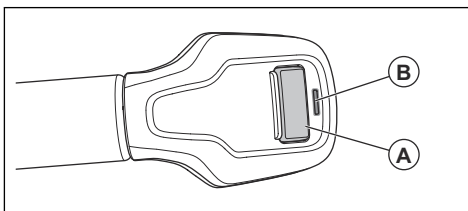
Botón e indicador LED START/STOP del motor

El botón START/STOP del motor (A) está en la palanca de control izquierda.

Tenga en cuenta: También hay un botón START/STOP del motor en el panel de control. Consulte *Descripción general del panel de control en la página 39*. Los 2 botones START/STOP del motor tienen la misma función.

El botón START/STOP del motor arranca y detiene el motor. Se deben cumplir las condiciones de arranque correctas para arrancar el motor. Consulte *Condiciones de funcionamiento en la página 47* para conocer las condiciones correctas de arranque.

El indicador LED (B) junto al botón START/STOP del motor en la palanca de control izquierda proporciona información sobre el funcionamiento del motor.



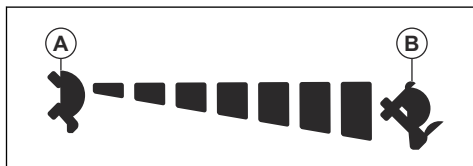
Indicador LED	Descripción
Blanco continuo	El motor está encendido, sin errores.
Amarillo parpadeante	El motor no puede arrancar. El freno de estacionamiento no está conectado, las palancas de control están en una posición incorrecta o el interruptor de llave está en la posición bloqueada.
Blanco parpadeante	Se cumplen todas las condiciones de funcionamiento. Es posible arrancar el motor.
Rojo parpadeante	El motor se detuvo debido a que el freno de estacionamiento no está conectado y el operador no está en el asiento.
Rojo continuo	El motor está dañado. Se requiere mantenimiento.

Control de presencia del operador (OPC)

El OPC se acciona cuando el operador se levanta del asiento. El motor y la transmisión para las cuchillas se detienen si las cuchillas están acopladas o el freno de estacionamiento no está aplicado. Consulte *Condiciones de funcionamiento en la página 47*.

Control del acelerador

El acelerador ajusta el régimen del motor y la velocidad de las cuchillas si están acopladas. El acelerador tiene 2 posiciones en los extremos, el régimen de ralentí y la aceleración máxima.



- Régimen de ralentí (A): disminuye el régimen del motor.
- Aceleración máxima (B): aumenta el régimen del motor.



AVISO: No use el motor en régimen de ralentí (A) por más tiempo del necesario. El uso excesivo del producto a régimen de ralentí puede disminuir la vida útil de las bujías.

Fusibles

La ubicación de los fusibles está en la caja de fusibles. La caja de fusibles está debajo del asiento. Quite la cubierta del compartimiento de la batería para tener acceso a la caja de fusibles. Consulte la etiqueta de la caja de fusibles para identificar los diferentes fusibles.

Medidor de horas

El producto tiene un medidor de horas que muestra cuántas horas ha funcionado el motor. El medidor de horas se selecciona en la pantalla del panel de control.

Para leer el medidor de horas

1. Presione el botón OK en el panel de control para abrir la estructura del menú.
2. Presione el botón de flecha hacia abajo en el panel de control hasta seleccionar el símbolo de información.
3. Presione el botón OK (ACEPTAR). En la pantalla, se muestra por cuántas horas ha funcionado el motor.
4. Para volver al menú, presione el botón de flecha hacia abajo 2 veces y, luego, presione el botón OK.

Símbolos en el producto



ADVERTENCIA: Este producto puede ser peligroso y provocar daños graves o fatales al operador o a otras personas. Tenga cuidado y utilice el producto correctamente.



Lea atentamente el manual del usuario y asegúrese de que entiende las instrucciones antes de usar el producto.



Detenga el motor y quite la llave antes de realizar el mantenimiento.



Mantenga una distancia de seguridad con respecto al producto.



No opere el producto en pendientes de más de 10°.



No estacione el producto en una pendiente.



No lleve pasajeros.



Tenga cuidado con los objetos que puedan salir expulsados o rebotar.



Mantenga las manos y los pies alejados del equipo de corte.



Mantenga las manos lejos de las piezas giratorias.



Tenga cuidado con las personas y los animales cuando opere el producto hacia delante.



Tenga cuidado con las personas y los animales cuando opere el producto hacia atrás.



No se sienta sobre el estante para accesorios.



No ponga el pie aquí.



Palancas de control no disponibles.



Freno de estacionamiento.



Elevación del equipo de corte.



Régimen del motor: rápido.



Régimen del motor: lento.



Neutro.



Reversa.



Combustible.



No opere el producto sin deflector o recogedor de césped.



Altura de corte baja.



Altura de corte alta.



Advertencia: El ácido de la batería es corrosivo, explosivo e inflamable.



Mantenga las partes del cuerpo alejadas de las piezas giratorias.

aaaaassxxx

La placa de características muestra el número de serie. **aaaa** es el año de producción y **ss** es la semana de producción.

Tenga en cuenta: Otros símbolos o etiquetas del producto hacen referencia a requisitos de certificación de algunas zonas comerciales.

Símbolos en el panel de control y la pantalla

Para obtener información sobre los símbolos de precaución, consulte *Mensajes de precaución en la pantalla en la página 66*.



Arranque/detenga el motor.



El interruptor de llave está desbloqueado.



El interruptor de llave está bloqueado.



Faros encendidos.



Freno de estacionamiento acoplado.



Indicador de toma de fuerza (PTO). La transmisión de las cuchillas está activada.



Mantenimiento.



Bluetooth®.



Nivel de combustible.



Régimen del motor.



Tiempo transcurrido para la sesión actual.



Batería.



Temperatura ambiente.



Información.



Medidor de horas.



Restablecer las horas restantes para realizar el mantenimiento.



Cancelar el restablecimiento de las horas restantes para realizar el mantenimiento.



Confirmar el restablecimiento de las horas restantes para realizar el mantenimiento.



Volver al menú anterior.

Responsabilidad del fabricante

Como se menciona en las leyes de responsabilidad del fabricante, no nos hacemos responsables de los daños que cause nuestro producto si:

- el producto se repara incorrectamente
- el producto se repara con piezas que no son del fabricante o que este no autoriza
- el producto tiene un accesorio que no es del fabricante o que este no autoriza
- el producto no se repara en un centro de servicio autorizado o por una autoridad aprobada.

Seguridad

Definiciones de seguridad

Las advertencias, precauciones y notas se utilizan para señalar las piezas particularmente importantes del manual.



ADVERTENCIA: Se utilizan para señalar el riesgo de lesiones graves o mortales para el operador o para aquellos que se encuentren cerca si no se siguen las instrucciones del manual.



AVISO: Se utilizan para señalar el riesgo de dañar la máquina, otros materiales o el área adyacente si no se siguen las instrucciones del manual.

Tenga en cuenta: Se utilizan para entregar más información necesaria en situaciones particulares.

Instrucciones generales de seguridad



ADVERTENCIA: Lea atentamente las siguientes instrucciones de advertencia antes de usar el producto.



ADVERTENCIA: Este producto puede amputar manos y pies, y arrojar objetos. El incumplimiento de las siguientes instrucciones de seguridad puede ocasionar daños graves o la muerte.

- Lea, comprenda y siga las instrucciones y advertencias de este documento, del manual de usuario y las que aparecen en el producto, el motor y los accesorios.
- Permita que solo usuarios responsables, que estén capacitados, familiarizados con las instrucciones y en condiciones físicas aptas operen el producto.
- No lleve pasajeros y mantenga alejados a los observadores.
- No haga funcionar el producto bajo la influencia del alcohol o las drogas.
- Siga las recomendaciones del fabricante para los pesos de las ruedas o los contrapesos.
- Aprenda a utilizar el producto y sus controles de forma segura y aprenda a detener el producto con rapidez.
- Reconozca las etiquetas de seguridad.
- Mantenga el producto limpio para asegurarse de que puede leer claramente las señales y las etiquetas.

- Tenga en cuenta que el operador será responsable de los accidentes que involucren a otras personas o su propiedad.
- Solo utilice el producto con luz de día o en condiciones de buena iluminación. Mantenga el producto a una distancia segura respecto de agujeros u otras irregularidades del suelo. Ponga atención para detectar otros posibles riesgos.
- No permita que niños u otras personas no autorizadas para operar el producto lo utilicen o le hagan mantenimiento. Las leyes locales pueden regular la edad del usuario.
- Asegúrese de que no haya nadie más cerca del producto cuando arranque el motor, acople la transmisión o empiece a mover el producto.
- Vigile el tráfico cuando corte cerca de un camino o atravesese uno.
- No utilice el producto si está cansado, bajo la influencia del alcohol o las drogas, medicamentos o cualquier cosa que pudiera afectar negativamente su visión, estado de alerta, coordinación o juicio.
- Estacione siempre el producto en una superficie nivelada con el motor parado.

Instrucciones de seguridad relacionadas con los niños



ADVERTENCIA: Lea atentamente las instrucciones de advertencia siguientes antes de usar el producto.

- Pueden ocurrir accidentes trágicos si el operador no está alerta de la presencia de niños. A los niños suele atraerles el producto y la actividad de cortar césped. Nunca suponga que los niños permanecerán en el mismo lugar en que los vio por última vez.
- Mantenga a los niños fuera de la zona de operación y bajo la observación atenta de un adulto responsable que no sea el operador.
- Nunca lleve niños sobre la máquina, aunque las cuchillas estén desactivadas. Los niños se pueden caer y sufrir daños graves, o interferir en el uso seguro del producto. Los niños que han dado una vuelta en la máquina pueden aparecer de repente en la zona de corte para dar otra vuelta y podrían ser atropellados o golpeados con el producto.

Instrucciones de seguridad para el funcionamiento



ADVERTENCIA: Lea atentamente las instrucciones de advertencia siguientes antes de usar el producto.



ADVERTENCIA: No toque el motor ni en el sistema de escape durante o inmediatamente después del funcionamiento. El motor y el sistema de escape se calientan mucho durante el funcionamiento. Riesgo de quemaduras, incendios y daños a la propiedad o zonas adyacentes. Cuando utilice el producto, manténgase alejado de arbustos y otros objetos.

- Solo haga funcionar el motor en áreas bien ventiladas. Los gases de escape contienen monóxido de carbono, un veneno mortal.
- Opere el producto únicamente durante el día o con buena luz artificial.
- Evite agujeros, surcos, irregularidades, piedras u otros objetos ocultos. Un terreno irregular podría causar que el producto se vuelque o que el operador pierda el equilibrio o la posición.
- No coloque las manos ni los pies cerca de las piezas giratorias ni debajo del producto. Manténgase alejado de la abertura de descarga en todo momento.
- No dirija el material descargado hacia ninguna persona. Evite descargar el material contra una pared u otra obstrucción. El material puede rebotar hacia el operador. Detenga las cuchillas cuando cruce por superficies de grava.
- No deje un producto en funcionamiento sin supervisión. Siempre estacione el producto en un terreno nivelado, desacople el accesorio, active el freno de estacionamiento y detenga el motor.
- No corte el césped en reversa a menos que sea absolutamente necesario. Siempre mire hacia abajo y hacia atrás antes y cuando vaya en reversa.
- Disminuya la velocidad antes de girar en una esquina.

Bluetooth®



AVISO: Los cambios o las modificaciones realizados al equipo que no cuentan con una aprobación expresa de Husqvarna podrían anular la autorización de FCC para hacer funcionar el equipo.

Nombre comercial del producto (PMN): Voltron20x

Aviso: Este dispositivo cumple con la Parte 15 de las Reglas de la FCC y con la norma RSS exenta de licencia de Innovación, Ciencia y Desarrollo Económico de Canadá. El funcionamiento está sujeto a las siguientes dos condiciones:

- Este dispositivo no puede causar interferencias perjudiciales.
- Este dispositivo debe aceptar cualquier interferencia que se reciba, incluida la interferencia que pueda causar una operación no deseada.

Nota: Este equipo se probó y se comprobó que cumple con los límites para un dispositivo digital de Clase B, de acuerdo con la Parte 15 de las reglas de FCC. Estos límites están diseñados para proporcionar una protección razonable contra interferencias perjudiciales en una instalación residencial. Este equipo genera, utiliza y puede irradiar energía de radiofrecuencia y, si no se instala ni se utiliza según las instrucciones, puede causar interferencias perjudiciales para las radiocomunicaciones. Sin embargo, no hay garantía de que no se producirán interferencias en una instalación particular. Si este equipo causa una interferencia perjudicial a la recepción de radio o televisión, lo que se puede determinar apagando o encendiendo el equipo, se aconseja al usuario que trate de corregir las interferencias mediante una de las siguientes medidas:

- Reoriente o reubique la antena receptora.
- Aumente la separación entre el equipo y el receptor.
- Conecte el equipo a una toma de un circuito diferente del que está conectado el receptor.
- Consulte a un distribuidor o técnico de radio o televisión experimentado para obtener ayuda.

Este producto cumple con las especificaciones técnicas aplicables de Innovación, Ciencia y Desarrollo Económico de Canadá.

Para cumplir con los límites de exposición de FCC/IC RF para población general o exposición incontrolada, la(s) antena(s) que se utiliza(n) para este transmisor se debe(n) instalar en estructuras permanentes de exteriores, a fin de proporcionar una distancia de al menos 5 mm de todas las personas y no se debe ubicar ni operar en conjunto con cualquier otra antena o transmisor.

Le présent produit est conforme aux spécifications Techniques applicables d'Innovation, Sciences et Développement économique Canada.

Le présent appareil est conforme aux CNR d'Industrie Canada applicables aux appareils radio exempts de licence. L'exploitation est autorisée aux deux conditions suivantes:

- l'appareil ne doit pas produire de brouillage, et
- l'appareil doit accepter tout brouillage radioélectrique subi, même si le brouillage est susceptible d'en compromettre le fonctionnement.

Declaración de conformidad del proveedor para HusqvarnaXcite™ Z350, Xcite™ Z380

Parte responsable

Husqvarna Consumer Outdoor Products N.A., Inc.

8825 Statesville Road

Charlotte, NC 28269

Estados Unidos

Teléfono: +1 704 597 5000

Correo electrónico: <http://www.husqvarna.com/us/support/e-mail/>

Instrucciones de seguridad para el uso en pendientes



ADVERTENCIA: Lea atentamente las instrucciones de advertencia siguientes antes de usar el producto.

Las pendientes son un factor importante relacionado con los accidentes. El uso en pendientes exige precaución especial.

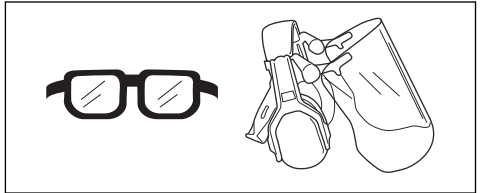
- Desplácese en la dirección recomendada por el fabricante en las pendientes. Tenga cuidado al operar cerca de declives.
- Evite cortar césped húmedo. Los neumáticos pueden perder tracción.
- No utilice el producto en ninguna condición que pueda alterar la tracción, la dirección o la estabilidad. Los neumáticos podrían deslizarse incluso si las ruedas se han detenido.
- Siempre mantenga el producto a una velocidad constante cuando baje por las pendientes. No se deje llevar por las pendientes cuesta abajo.
- Evite ponerse en movimiento o detenerse en pendientes. No haga cambios repentinos de velocidad o dirección. Realice giros de manera lenta y gradual.
- Tenga especial cuidado cuando opere el producto con un recogedor de césped u otros accesorios. Pueden afectar la estabilidad del producto.
- Cortar el césped en pendientes aumenta el riesgo de que no pueda controlar el producto y de que se vuelque. Esto puede provocar lesiones o la muerte. Es necesario tener cuidado al cortar el césped en cualquier pendiente. Si no puede retroceder para subir una pendiente o si no se siente seguro, no la corte.
- Quite las piedras, las ramas y otros obstáculos.
- Corte el césped de la pendiente de arriba hacia abajo, no de lado a lado.
- No utilice el producto en suelos con pendientes de más de 10°.
- Muévase suave y lentamente en pendientes.
- Ponga atención a la presencia de surcos, agujeros y baches, y no pase transversalmente por ellos. Existe un mayor riesgo de que el producto se vuelque en suelo que no es plano. El césped alto puede ocultar obstáculos.
- No corte el césped cerca de bordes, zanjas u orillas. El producto puede volcarse repentinamente si una rueda se desplaza por el borde de una pendiente pronunciada o una zanja, o si un borde cede.

Equipo de protección personal

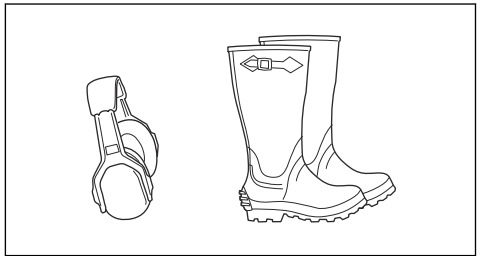


ADVERTENCIA: Lea atentamente las instrucciones de advertencia siguientes antes de usar el producto.

- Utilice siempre el equipo de protección personal aprobado cuando use el producto. El equipo de protección personal no puede impedir el riesgo de lesiones, pero disminuirá el grado de lesión si ocurre un accidente. Permita que su concesionario lo ayude a seleccionar el equipo adecuado.
- Use protección ocular homologada. Si utiliza un visor, también debe usar gafas protectoras homologadas. Las gafas protectoras homologadas deben cumplir con la norma ANSI Z87.1 de EE. UU. o con EN 166 en los países de la UE.



- Use siempre protectores auriculares aprobados. La exposición prolongada al ruido puede causar la pérdida permanente de la audición.
- Use siempre zapatos o botas de protección. Se recomienda usar punteras de acero. No utilice el producto descalzo.



- Utilice guantes cuando sea necesario, por ejemplo, cuando conecte, examine o limpie el equipo de corte.
- No use ropa floja, joyas u otros artículos que puedan quedar atrapados en las piezas móviles.
- Mantenga un equipo de primeros auxilios y un extintor de incendios a mano.

Dispositivos de seguridad en el producto



ADVERTENCIA: Lea atentamente las instrucciones de advertencia siguientes antes de usar el producto.

- No utilice un producto con dispositivos de seguridad dañados o que no funcionen correctamente. Revise los dispositivos de seguridad de forma regular. Si los dispositivos de seguridad están dañados, comuníquese con el agente de servicio de Husqvarna.
- No realice ninguna modificación en los dispositivos de seguridad. No utilice el producto si las placas

de protección, las cubiertas de protección, los interruptores de seguridad u otros dispositivos protectores no están acoplados o están dañados.

Interruptor de llave y llave

El interruptor de llave está en el panel de control. Para arrancar el motor, la llave debe estar en el interruptor de llave y este debe estar en la posición desbloqueada.

Para comprobar el interruptor de llave y la llave

- Arranque y detenga el motor. Consulte *Para arrancar el motor en la página 53* y *Detener el motor en la página 54*.
- Si el interruptor de llave y la llave funcionan correctamente, el motor solo puede arrancar cuando el interruptor de llave está en la posición desbloqueada.

Estante para accesorios

El estante para accesorios se utiliza para el almacenamiento y el transporte. El límite de peso es de 30 lb (13,6 kg).

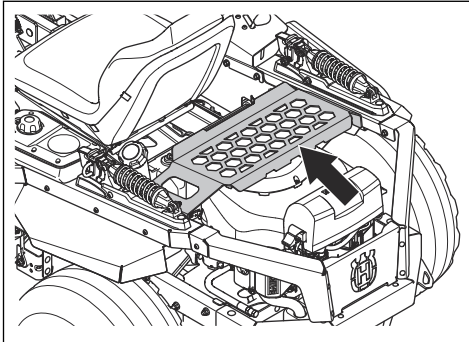


AVISO:

- Para el transporte de líquidos, utilice recipientes que estén correctamente sellados y que no estén dañados para evitar derrames en el motor.
- Instale los elementos en el estante para accesorios con correas.



ADVERTENCIA: No utilice el estante para accesorios como asiento.



Botón START/STOP del motor

El producto tiene 2 botones START/STOP del motor: Uno en el panel de control y uno en la palanca de control izquierda.

Para revisar los botones START/STOP del motor

1. Arranque el motor. Consulte *Para arrancar el motor en la página 53*.
2. Mantenga presionado el botón START/STOP del motor en el panel de control durante aproximadamente 1 a 2 segundos y asegúrese de que el motor se detenga.
3. Arranque el motor nuevamente.
4. Mantenga presionado el botón START/STOP del motor en la palanca de control izquierda durante aproximadamente 1 a 2 segundos y asegúrese de que el motor se detenga.

Condiciones de funcionamiento

Estas condiciones son necesarias para arrancar el motor:

- Las palancas de control están en la posición de estacionamiento.
- El freno de estacionamiento está aplicado.
- La transmisión de las cuchillas está desactivada.

El motor se debe detener en las siguientes situaciones:

- El freno de estacionamiento no está accionado y el operador se levanta del asiento.
- La transmisión de las cuchillas está activada y el operador se levanta del asiento.

Intente arrancar el motor sin 1 de las condiciones. Cambie las condiciones y vuelva a intentarlo. Haga esta comprobación a diario.

Freno de estacionamiento



ADVERTENCIA: Si el freno de estacionamiento no funciona, el producto puede empezar a moverse y causar lesiones o daños. Asegúrese de revisar y ajustar el freno de estacionamiento con regularidad.

Consulte *Para comprobar el freno de estacionamiento en la página 58*.

Silenciador



ADVERTENCIA: No utilice el producto si el silenciador no está instalado o está dañado. Un silenciador dañado o que no está aumenta el nivel de ruido y el riesgo de incendio.

El silenciador mantiene los niveles de ruido al mínimo y envía los gases de escape lejos del operador.

Examine el silenciador con regularidad para asegurarse de que está instalado correctamente y que no esté dañado.



ADVERTENCIA: El silenciador se calienta mucho durante y después del uso y cuando el motor funciona en régimen de ralentí. Tenga cuidado cerca de materiales o vapores inflamables para prevenir incendios.

Para revisar el silenciador

- Examine el silenciador con regularidad para asegurarse de que está instalado correctamente y que no esté dañado.

Apagachispas

Este producto tiene un motor de combustión interna. No utilice el producto cerca de vegetación sin una red apagachispas que esté aprobada por las leyes locales o estatales. Las leyes federales se aplican a las tierras federales.

Se puede obtener un apagachispas para el silenciador a través de su distribuidor Husqvarna aprobado.

Cubiertas protectoras

Si faltan cubiertas protectoras o estas están dañadas, aumenta el riesgo de lesiones por piezas móviles y superficies calientes. Realice una comprobación de las cubiertas protectoras antes de usar el producto. Asegúrese de que las cubiertas protectoras estén correctamente instaladas y no tengan grietas u otros daños. Reemplace las cubiertas dañadas.

Seguridad de combustible



ADVERTENCIA: Lea atentamente las instrucciones de advertencia siguientes antes de usar el producto.



ADVERTENCIA: Tenga cuidado con el combustible. Es muy inflamable, por lo que puede provocar lesiones y daños a la propiedad.

- Apague todo tipo de cigarrillos, puros, pipas y otras fuentes de ignición.
- Use solo un recipiente de combustible aprobado.
- No retire el tapón de combustible ni agregue combustible con el motor en funcionamiento o mientras está caliente.
- No cargue combustible en interiores o en áreas mal ventiladas.
- No guarde el producto o el recipiente de combustible ni cargue combustible donde haya una llama expuesta, chispas o un indicador luminoso, como en un calentador de agua u otros aparatos.
- Si salpica combustible, no intente hacer arrancar el motor y evite crear cualquier fuente de ignición hasta que los vapores del combustible se hayan disipado.

- Para ayudar a evitar incendios: mantenga el producto libre de césped, hojas u otros desechos acumulados; limpie el aceite o los derrames de combustible y quite cualquier residuo mojado con combustible; deje que el producto se enfríe antes de guardarlo.
- Tenga especial cuidado al manipular gasolina y otros combustibles. Estos son inflamables y los vapores son explosivos.
- La gasolina y los vapores de gasolina son tóxicos y muy inflamables. Tenga cuidado con la gasolina para evitar lesiones personales o incendios.
- Deje que el motor se enfríe antes de agregar combustible.
- No llene el depósito de combustible cerca de chispas o llamas.
- Si hay fugas en el sistema de combustible, no arranque el motor hasta que las repare.
- No llene por encima del nivel de combustible recomendado. El calor del motor y el sol hacen que el combustible se expanda y que se desborde si el depósito está demasiado lleno.
- Guarde el producto y el combustible, de manera que no haya riesgo de que vapores o fugas de combustible puedan causar daños.

Seguridad del transporte

- No remolque este producto.
- Utilice un vehículo de transporte aprobado para el transporte del producto.
- Las normativas nacionales o locales de los mercados pueden establecer un límite para el transporte del producto.
- El operador de vehículo de transporte es responsable de fijar el producto de forma segura durante el transporte. Consulte *Transporte en la página 67*.

Transporte

- Utilice rampas de ancho completo cuando cargue y descargue un producto para transportarlo.

Seguridad de la batería



ADVERTENCIA: Una batería dañada puede provocar una explosión y causar lesiones. Si la batería tiene una deformación o está dañada, hable con un taller de servicio Husqvarna autorizado.



ADVERTENCIA: Lea atentamente las instrucciones de advertencia siguientes antes de usar el producto.

- Utilice gafas protectoras cuando esté cerca de las baterías.
- No use relojes, joyas u otros objetos metálicos cerca de la batería.

- Almacene la batería fuera del alcance de los niños.
- Cargue la batería en un espacio con buena ventilación.
- Mantenga los materiales inflamables a una distancia mínima de 1 m cuando cargue la batería.
- Deseche las baterías que ha reemplazado. Consulte *Eliminación en la página 68*.
- La batería puede generar gases explosivos. No fume cerca de la batería. Mantenga la batería lejos de llamas abiertas y chispas.

se produce una fuga, haga que un técnico capacitado repare inmediatamente el producto.

Instrucciones de seguridad para el mantenimiento



ADVERTENCIA: Lea atentamente las instrucciones de advertencia siguientes antes de usar el producto.



ADVERTENCIA: El producto es pesado y puede causar lesiones o daños a la propiedad o el área adyacente. No realice mantenimiento del motor o del equipo de corte sin cumplir con las siguientes condiciones:

- El sistema está apagado.
- El producto está estacionado en una superficie nivelada.
- El freno de estacionamiento está aplicado.
- La llave de encendido está en posición stop y retirada.
- Las cuchillas están desacopladas.
- Todas las piezas giratorias se han detenido.
- Quitó los cables de encendido de las bujías.



ADVERTENCIA: Un escape de líquido con presión puede tener fuerza suficiente para traspasar la piel y causar daños graves. Si el líquido le traspasa la piel, busque atención médica de inmediato. Mantenga las manos y el cuerpo alejados de orificios de pasadores o boquillas que expulsen líquido a alta presión. Si



ADVERTENCIA: Los gases de escape del motor contienen monóxido de carbono, un gas inodoro, tóxico y muy peligroso. No use el producto en espacios cerrados o sin suficiente flujo de aire.

- Mantenga el producto en buen orden de trabajo. Reemplace las piezas desgastadas o dañadas.

Tenga cuidado al realizar tareas de mantenimiento en las cuchillas. Envuelva las cuchillas o utilice guantes. Reemplace las cuchillas dañadas. No repare ni altere las cuchillas.

Si están equipados, desconecte los cables de las bujías y el cable negativo de la batería antes de realizar cualquier reparación.

Para lograr mayores niveles de rendimiento y seguridad, realice el mantenimiento del producto con regularidad como se indica en el programa de mantenimiento. Consulte *Programa de mantenimiento en la página 55*.

- Las sacudidas eléctricas pueden causar lesiones. No toque los cables cuando el motor esté encendido. No haga una prueba de funcionamiento del sistema de encendido con los dedos.
- Deje que el producto se enfríe antes de realizar tareas de mantenimiento cerca del motor.
- Las cuchillas son filosas y pueden causar cortes. Envuelva las cuchillas con protección o utilice guantes protectores cuando trabaje en las cuchillas.
- No gire el motor si quitó el cable de encendido o la bujía.
- Asegúrese de que todas las tuercas y pernos estén correctamente apretados y de que el equipo está en buen estado.
- No cambie el ajuste de los reguladores. Si el régimen del motor es demasiado alto, los componentes del producto pueden dañarse. Consulte la sección *Datos técnicos en la página 69* para ver el régimen del motor máximo permitido.
- El producto se ha aprobado solo con el equipo proporcionado originalmente o recomendado por el fabricante.

Funcionamiento

Introducción



ADVERTENCIA: Antes de utilizar el producto, debe leer y entender el capítulo sobre seguridad.

Husqvarna Connect

La aplicación Husqvarna Connect es gratuita para su dispositivo móvil. La aplicación Husqvarna Connect proporciona funciones extendidas para el producto Husqvarna.

- Información extendida del producto.

- Información y solución de problemas relacionadas con las piezas y el mantenimiento del producto.

Bluetooth® tecnología inalámbrica

Los productos con tecnología inalámbrica Bluetooth® integrada se pueden conectar a dispositivos móviles y habilitan funciones adicionales desde Husqvarna Connect.

El símbolo de tecnología inalámbrica Bluetooth® se enciende cuando el dispositivo móvil está conectado al producto.



Para empezar a utilizar

1. Descargue la aplicación Husqvarna Connect en su dispositivo móvil.
2. Agregue Husqvarna Connect a la aplicación.
3. Siga las instrucciones en Husqvarna Connect para conectar y registrar el producto.

Tenga en cuenta: La aplicación Husqvarna Connect no está disponible para su descarga en todos los mercados. Póngase en contacto con su taller de servicio para obtener más información.

Para usar el producto por primera vez



ADVERTENCIA: Antes de utilizar el producto por primera vez, debe leer y entender este capítulo.

- Utilice una velocidad del acelerador y de avance reducidas cuando use el producto por primera vez.
- No mueva las palancas de control a la posición completamente hacia adelante o a la posición completamente hacia atrás durante la operación inicial.
- Aprenda a desplazar el producto sobre una superficie dura, por ejemplo, hormigón o asfalto, antes de usar el producto sobre césped por primera vez.

Haga lo siguiente antes de usar el producto



ADVERTENCIA: Antes de utilizar el producto, debe leer y entender el capítulo sobre seguridad.



ADVERTENCIA: Antes de usar el producto, asegúrese de que no haya piedras u otros objetos en la área de

trabajo que puedan salir despedidos por las cuchillas giratorias.

- Realice el mantenimiento diario. Consulte *Programa de mantenimiento en la página 55*.
- Asegúrese de que haya suficiente combustible en el depósito de combustible.
- Ajuste la altura de corte. Consulte *Ajuste de la altura de corte en la página 52*.

Para agregar combustible



ADVERTENCIA: La gasolina es muy inflamable. Tenga cuidado y recargue combustible al aire libre, consulte *Seguridad de combustible en la página 48*.



ADVERTENCIA: El motor y el sistema de escape se calientan mucho durante el funcionamiento. Riesgo de lesiones por quemadura. Deje que el motor y el sistema de escape se enfrien antes de cargarle combustible a la máquina.



ADVERTENCIA: No utilice el depósito de combustible como un área de soporte.



AVISO: Usar el tipo incorrecto de combustible puede causar daños en el motor.




El motor funciona con gasolina con un octanaje mínimo de 91 RON (87 AKI), sin mezclarse con aceite. Recomendamos usar gasolina de alquilato biodegradable.

- Realice una comprobación del nivel de combustible antes de cada uso y agregue combustible si es necesario.
- No llene el depósito de combustible completamente. Llénelo hasta la parte inferior del cuello del depósito de combustible.

Nivel de combustible

El nivel de combustible se muestra en la pantalla.

Símbolo	Descripción
	El indicador izquierdo parpadea. Hay entre un 0 % y un 10 % de combustible restante.
	El indicador izquierdo está encendido. Hay entre un 11 % y un 25 % de combustible restante.

Símbolo	Descripción
	Hay dos indicadores encendidos. Hay entre un 26 % y un 50 % de combustible restante.
	Hay tres indicadores encendidos. Hay entre un 51 % y un 75 % de combustible restante.
	Los 4 indicadores están encendidos. Hay entre un 76 % y un 100 % de combustible restante.

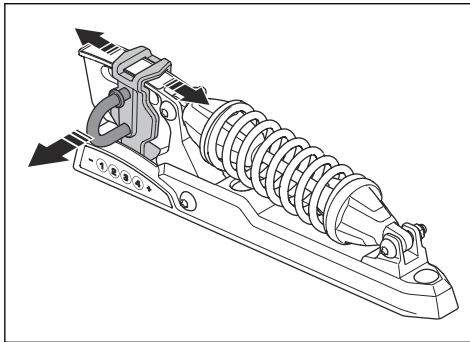
Para ajustar el asiento

La posición del asiento se puede mover hacia delante o hacia atrás y se puede ajustar la suspensión del asiento. La suspensión del lado izquierdo y derecho del asiento se ajusta de forma independiente.



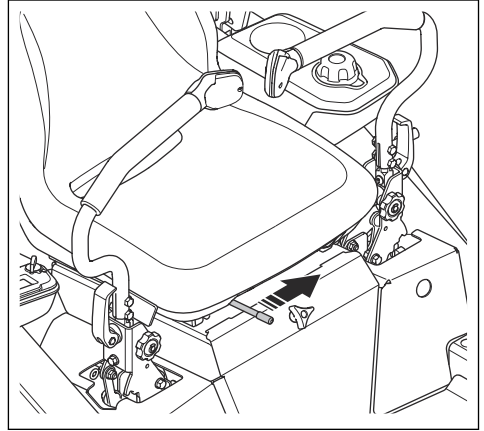
ADVERTENCIA: No realice ajustes en el asiento cuando el producto esté en funcionamiento.

- Para ajustar la suspensión, siga estos pasos:
 - a) Tire de la manija del ajustador de suspensión para soltar el pasador.



- b) Mueva la manija en la dirección de "-" para tener una suspensión más suave.
- c) Mueva la manija en la dirección de "+" para tener una suspensión más dura.
- d) Realice el mismo procedimiento en el ajustador de suspensión del lado opuesto.

- Para ajustar la posición del asiento, empuje la palanca (B) debajo del asiento hacia el costado y empuje el asiento hacia delante o hacia atrás.

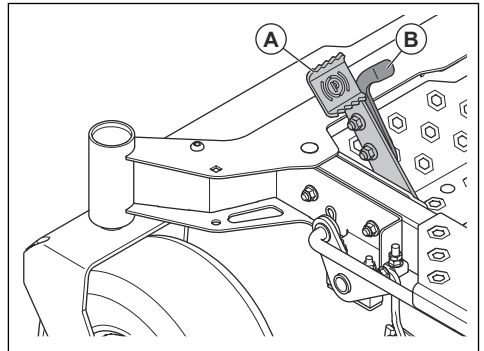


Para acoplar y desacoplar el freno de estacionamiento



AVISO: El producto debe estar detenido cuando active el freno de estacionamiento.

- Para conectar el freno de estacionamiento, empuje el pedal grande (A) hacia delante hasta que el soporte de traba acople el pasador de traba.



- Para desacoplar el freno de estacionamiento, presione el pedal pequeño (B) del soporte de traba y deje que el pedal grande (A) y el pedal pequeño (B) se muevan lentamente hacia atrás.

Para desacoplar y acoplar el sistema de transmisión



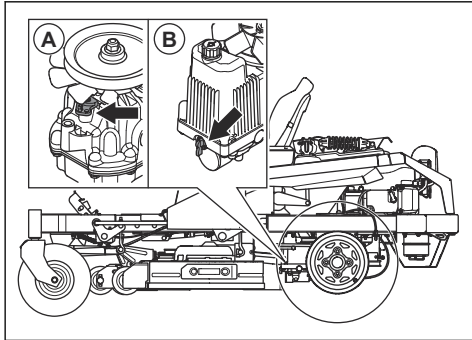
AVISO: Solo desacople o acople el sistema de transmisión cuando el producto

esté estacionado sobre una superficie nivelada.

Si es necesario mover el producto de forma manual, con el motor apagado, se debe desacoplar el sistema de transmisión. Las válvulas de derivación desacoplan y acoplan el sistema de transmisión. Las válvulas de derivación se encuentran en la parte delantera de cada transmisión.

Siga el procedimiento que se describe a continuación para desacoplar el sistema de transmisión.

1. Estacione el producto en suelo nivelado y detenga el motor. No acople el freno de estacionamiento.
2. Coloque el equipo de corte en la posición más baja.
3. Mueva las palancas de derivación a cada lado del producto.



- a) Para Xcite™ Z350: Empuje las 2 palancas de derivación (A) hacia atrás.
- b) Para Xcite™ Z380: Gire las 2 palancas de derivación (B) a la posición horizontal.

4. Empuje el producto con la mano.



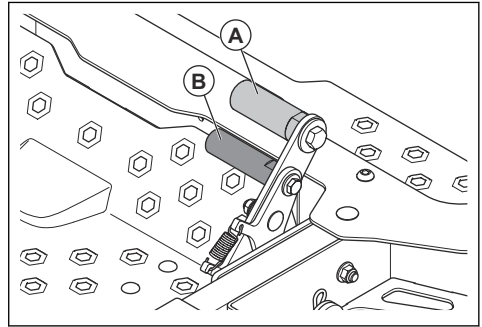
AVISO: No empuje las palancas de control.

5. Para acoplar el sistema de transmisión en Xcite™ Z350, empuje las palancas de derivación (A) hacia delante.
6. Para acoplar el sistema de transmisión en Xcite™ Z380, gire las palancas de derivación (B) a la posición vertical.

Para colocar el equipo de corte en la posición de transporte o posición de corte

El equipo de corte debe estar en la posición de transporte durante el transporte.

- Para colocar el producto en la posición de transporte, empuje el pedal de elevación del equipo (A) hacia delante hasta que el equipo de corte se trabe en la posición de transporte.

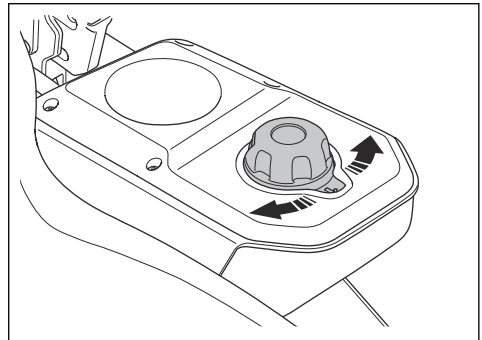


- Para colocar el producto en la posición de corte, presione el pedal de liberación de la plataforma (B).

Ajuste de la altura de corte

1. Coloque el equipo de corte en la posición de transporte. Consulte *Para colocar el equipo de corte en la posición de transporte o posición de corte en la página 52*.

2. Gire la perilla de ajuste de altura de corte.



- a) Gire en el sentido de las agujas del reloj para aumentar la altura de corte.
 - b) Gire hacia la izquierda para bajar la altura de corte.
3. Baje el equipo a la posición de corte. Consulte *Para colocar el equipo de corte en la posición de transporte o posición de corte en la página 52*.

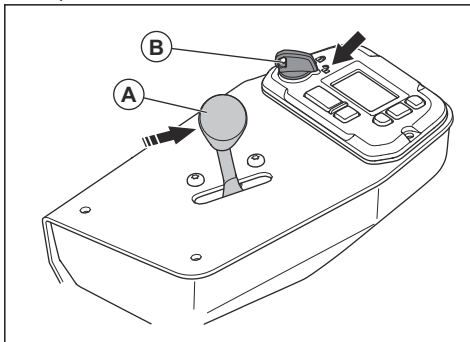
Ajuste de la altura de corte	Altura de corte, in/cm
1	1,5/3,8
2	1,75/4,4
3	2,0/5,1
4	2,25/5,7

Ajuste de la altura de corte	Altura de corte, in/cm
5	2,5/6,4
6	2,75/7,0
7	3,0/7,6
8	3,25/8,3
9	3,5/8,9
10	3,75/9,5
11	4,0/10,2
12	4,25/10,8

Para arrancar el motor

Se debe realizar el procedimiento en el orden correcto y con las condiciones adecuadas para arrancar el motor. Si no se cumple una condición de arranque, se muestra el símbolo correspondiente en la pantalla. Consulte *Mensajes de precaución en la pantalla en la página 66*.

1. Siéntese en el asiento. La pantalla se enciende.
2. Coloque el equipo de corte en la posición de transporte. Consulte *Para colocar el equipo de corte en la posición de transporte o posición de corte en la página 52*.
3. Acople el freno de estacionamiento. Consulte *Para acoplar y desacoplar el freno de estacionamiento en la página 51*.
4. Mueva el control del acelerador (A) hasta la mitad de su posición.

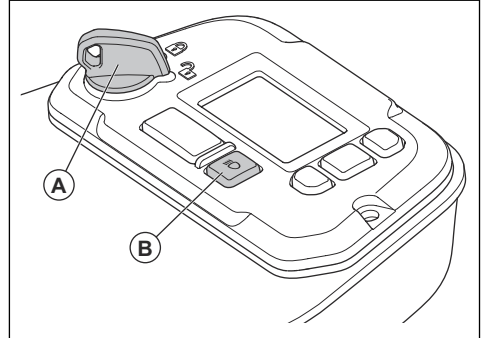


5. Coloque la llave (B) en el interruptor de llave.
6. Coloque el interruptor de llave en la posición de desbloqueo.
7. Coloque las palancas de control en la posición de estacionamiento.
8. Mantenga presionado el botón START/STOP en el panel de control o en la palanca de control izquierda durante aproximadamente 1 a 2 segundos para arrancar el motor.

9. Deje que el motor marche a aceleración media entre 3 y 5 minutos antes de aplicar la aceleración máxima.
10. Presione el acelerador hasta la posición de aceleración máxima.

Para operar los faros

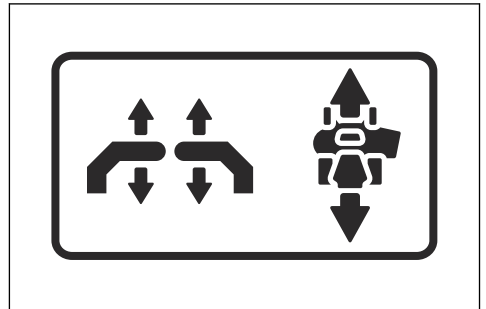
1. Asegúrese de que el interruptor de llave se encuentre en la posición desbloqueada (A).



2. Mantenga presionado el botón de los faros (B) durante aproximadamente 1 a 2 segundos. Los faros se encienden.
3. Mantenga presionado el botón de los faros durante aproximadamente 1 a 2 segundos de nuevo. Los faros se apagan.

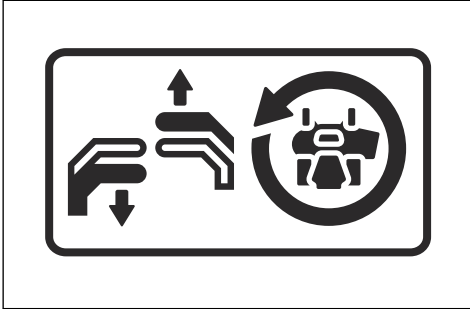
Para hacer funcionar el producto

1. Arranque el motor. Consulte *Para arrancar el motor en la página 53*.
2. Desacople el freno de estacionamiento. Consulte *Para acoplar y desacoplar el freno de estacionamiento en la página 51*.
3. Empuje cuidadosamente las 2 palancas de control hacia adelante. El producto comenzará a avanzar. La velocidad de avance aumenta mientras más se empujan hacia adelante las 2 palancas de control.

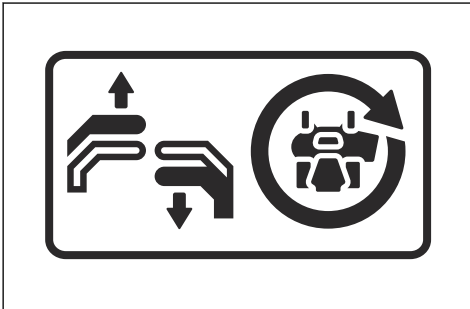


4. Tire cuidadosamente de las 2 palancas de control hacia atrás. El producto comenzará a retroceder. La velocidad de retroceso aumenta mientras más se empujan hacia atrás las 2 palancas de control.

5. Coloque las 2 palancas de control en posición neutra para disminuir la velocidad y detener el producto.
6. Siga los pasos que se indican a continuación para girar a la izquierda o a la derecha cuando avance.
 - a) Tire de la palanca de control izquierda hacia atrás en la dirección de la posición neutra para hacer que el producto gire a la izquierda. Mientras más tire de la palanca de control izquierda hacia atrás, el producto girará más a la izquierda.



- b) Tire de la palanca de control derecha hacia atrás en la dirección de la posición neutra para hacer que el producto gire a la derecha. Mientras más tire de la palanca de control derecha hacia atrás, el producto girará más a la derecha.

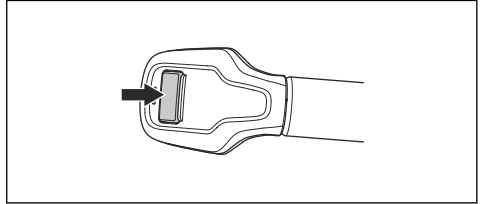


7. Siga los pasos que se indican a continuación para hacer un giro cero.
 - a) Tire de las 2 palancas de control hacia atrás en la dirección de la posición neutra para disminuir la velocidad o detener el producto.
 - b) Mueva 1 palanca de control ligeramente hacia adelante y la otra palanca de control ligeramente hacia atrás para hacer un giro cero.
8. Baje el equipo de corte a la posición de corte. Consulte *Para colocar el equipo de corte en la posición de transporte o posición de corte en la página 52*.
9. Mantenga presionado el botón de la PTO en la palanca de control derecha durante aproximadamente 1 a 2 segundos para acoplar la transmisión de las cuchillas.

10. Si es necesario ajustar la altura de corte durante el funcionamiento, consulte *Ajuste de la altura de corte en la página 52*.

Detener el motor

1. Mueva las 2 palancas de control a la posición de estacionamiento para detener el movimiento del producto.
2. Acople el freno de estacionamiento.
3. Mantenga presionado el botón de la PTO durante aproximadamente 1 a 2 segundos para desacoplar la transmisión de las cuchillas.



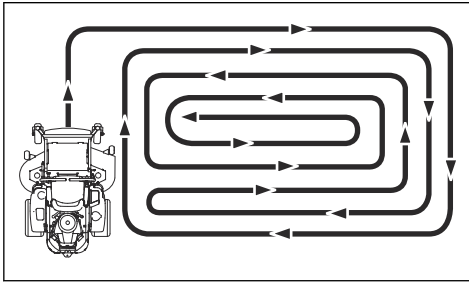
4. Coloque el equipo de corte en la posición de transporte.
5. Mueva el acelerador hasta la posición de aceleración mínima.
6. Deje que el motor funcione en ralentí como mínimo durante 1 minuto hasta que esté a la temperatura de funcionamiento normal.
7. Mantenga presionado el botón START/STOP en el panel de control o en la palanca de control izquierda durante aproximadamente 1 a 2 segundos para detener el motor.
8. Coloque el interruptor de llave en la posición bloqueada.
9. Quite la llave del interruptor de llave cuando se aleje del producto.

Para conseguir un buen resultado de corte

- Para un mejor funcionamiento, realice el mantenimiento del producto con regularidad como se indica en el programa de mantenimiento. Consulte *Mantenimiento en la página 55*.
- No corte el césped húmedo. El césped húmedo puede causar un mal resultado de corte.
- Empiece con una altura de corte elevada y reduzca gradualmente.
- Utilice la aceleración máxima cuando corte el césped.
- Avance con el producto a baja velocidad si el césped es alto y grueso.
- Corte el césped en un patrón irregular.

- Cuando corte áreas grandes, mueva el producto hacia la derecha durante 1 o 2 vueltas alrededor del área de trabajo. Este procedimiento mantendrá la descarga del césped lejos de arbustos, cercas y entradas de garajes. Después de aproximadamente 2 vueltas alrededor del área de trabajo, corte en el sentido opuesto.

- Cuando utilice el kit de trituración, corte el césped con mayor frecuencia.
- Para obtener los mejores resultados de corte, corte el césped con frecuencia.



Mantenimiento

Introducción



ADVERTENCIA: Antes de realizar el mantenimiento, debe leer y entender el capítulo de seguridad.

X = Las instrucciones se proporcionan en este manual de usuario.

O = Consulte el manual del motor para ver las instrucciones.

Programa de mantenimiento para el usuario

Programa de mantenimiento

* = Las instrucciones no se proporcionan en este manual de usuario.

Mantenimiento	Para llevar a cabo un mantenimiento diario		Realice el mantenimiento por lo menos 1 vez al año.	Intervalo de mantenimiento en horas		
	Antes	Después		25	100	500
Revise el freno de estacionamiento.	X		X	X	X	X
Revise el nivel de aceite del motor.	O					
Revise el sistema de seguridad.	X					
Verifique que no haya fugas de combustible ni de aceite del producto.	*					
Asegúrese de que el producto no esté dañado.		*				
Verifique que no haya piezas sueltas.		*				
Revise si el equipo de corte está dañado.		*				
Revise los ajustes del equipo de corte.			X			X

Mantenimiento	Para llevar a cabo un mantenimiento diario		Realice el mantenimiento por lo menos 1 vez al año.	Intervalo de mantenimiento en horas		
	Antes	Después		25	100	500
Revise la presión de los neumáticos.				X	X	X
Revise las conexiones de la batería.			X	X	X	X
Revise el cable del acelerador.					O	O
Verifique las ruedas delanteras.			X		X	X
Revise la separación de la válvula del motor. ¹²			*			*
Limpie la toma de aire del motor. ¹³			O	O	O	O
Limpie la parte inferior del equipo de corte.		X				
Limpie alrededor del motor.		*				
Limpie alrededor de las correas y las poleas de la correa.		*			*	*
Revise las correas y las poleas de la correa.			X		X	X
Limpie el prefiltro de espuma (si está equipado). ¹⁴			O	O	O	O
Reemplace el prefiltro de espuma (si está equipado). ¹⁵			O			
Limpie el cartucho del filtro de papel. ¹⁶			O	O	O	O
Examine el silenciador y la rejilla apagachispas.			*		*	*
Arranque el motor y las cuchillas, y revise si hay ruidos inusuales.		*				
Afile las cuchillas. ¹⁷			X	X	X	X
Sustituya las cuchillas.			X	X	X	X
Reemplace las bujías.			O		O	O

¹² Esto debe ser realizado por un taller de servicio autorizado.

¹³ En condiciones con polvo, la limpieza y el reemplazo se deben realizar con mayor frecuencia.

¹⁴ En condiciones con polvo, la limpieza y el reemplazo se deben realizar con mayor frecuencia.

¹⁵ En condiciones con polvo, la limpieza y el reemplazo se deben realizar con mayor frecuencia.

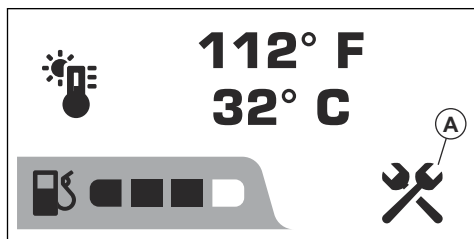
¹⁶ En condiciones con polvo, la limpieza y el reemplazo se deben realizar con mayor frecuencia.

¹⁷ Esto debe ser realizado por un taller de servicio autorizado.

Mantenimiento	Para llevar a cabo un mantenimiento diario		Realice el mantenimiento por lo menos 1 vez al año.	Intervalo de mantenimiento en horas		
	Antes	Después		25	100	500
Cambie el aceite del motor. ¹⁸			O		O	O
Reemplace el filtro de aceite del motor.			O		O	O
Reemplace el filtro de combustible.			O		O	O
Reemplace el filtro de aire de papel. ¹⁹			O		O	O

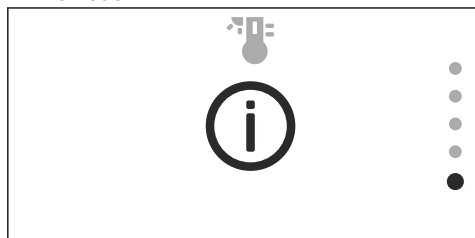
Intervalo de mantenimiento

Cuando el producto está en un intervalo de mantenimiento, se muestra el símbolo de mantenimiento (A) en la pantalla. El símbolo de mantenimiento permanece en la pantalla hasta que se restablece el temporizador de mantenimiento.



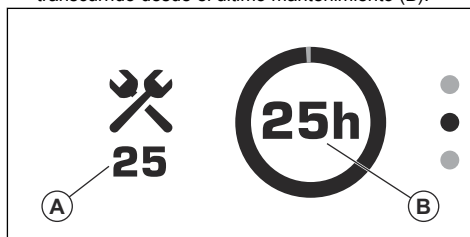
Para restablecer el temporizador de mantenimiento

1. Presione el botón OK en el panel de control para abrir la estructura del menú.
2. Presione el botón de flecha hacia abajo en el panel de control hasta seleccionar el símbolo de información.



3. Presione el botón OK (ACEPTAR). En la pantalla, se muestra el medidor de horas.

4. Presione el botón de flecha hacia abajo en el panel de control una vez. En la pantalla, se muestra el siguiente intervalo de mantenimiento (A) y el tiempo transcurrido desde el último mantenimiento (B).



5. Presione el botón OK (ACEPTAR).
 - a) Para restablecer el temporizador de mantenimiento, presione el botón OK cuando se seleccione la marca de verificación (C).

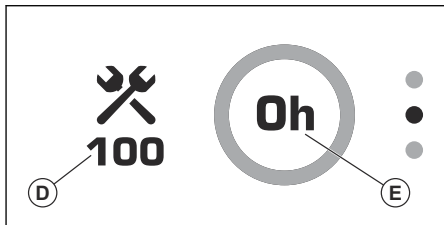


- b) Para cancelar el restablecimiento, presione el botón de flecha hacia abajo y el botón OK cuando seleccione el símbolo "X".

¹⁸ Cambie el aceite del motor después de las primeras 8 a 10 horas de funcionamiento. En caso de cargas pesadas o temperaturas ambiente elevadas, reemplace el aceite del motor cada 50 horas.

¹⁹ En condiciones con polvo, la limpieza y el reemplazo se deben realizar con mayor frecuencia.

En la pantalla, se muestra el siguiente intervalo de mantenimiento (D) y el tiempo transcurrido desde el último mantenimiento (E).



6. Presione el botón de flecha hacia abajo y, luego, presione el botón OK para volver al menú principal.

Para limpiar el producto



AVISO: No utilice lavadores a alta presión ni limpieza a vapor. Podría entrar agua a los cojinetes y las conexiones eléctricas y causar corrosión, lo que puede dañar el producto.

Limpie el producto inmediatamente después de usarlo.

- No limpie las superficies calientes, como el motor, el silenciador y el sistema de escape. Espere hasta que las superficies estén frías y luego retire el césped o la suciedad.
- Antes de limpiar con agua, limpie con un cepillo. Retire el césped y la suciedad de la transmisión, de la toma de aire de la transmisión y del motor, además de sus zonas circundantes.
- Use agua que corra de una manguera para limpiar el producto. No use presión alta.
- No apunte el agua a los componentes eléctricos o los cojinetes. A menudo el detergente aumenta el daño.
- Utilice aire comprimido para limpiar la superficie superior del equipo de corte.
- Utilice una manguera de agua para limpiar debajo del equipo de corte.
- Cuando el producto esté limpio, arranque el equipo de corte durante un breve período para eliminar el agua restante.

Para limpiar el motor y el silenciador

Mantenga el motor y el silenciador sin recortes de césped y la suciedad. El césped cortado impregnado de combustible o aceite en el motor puede aumentar el riesgo de incendio y el riesgo de sobrecalentamiento del motor. Deje que el motor se enfríe antes de limpiarlo. Limpie con agua y un cepillo.

El césped cortado alrededor del silenciador se seca rápidamente y representa un riesgo de incendio. Utilice un cepillo o retire el césped cortado con agua cuando el silenciador esté frío.

Para limpiar la batería

La corrosión y la suciedad en la batería y en los terminales pueden hacer que disminuya la potencia de la batería.

1. Extraiga la batería. Consulte *Para retirar e instalar la batería en la página 59*.
2. Enjuague la batería con agua y deje secar.



AVISO: No utilice lavadores a alta presión ni limpieza a vapor. Podría entrar agua a los cojinetes y las conexiones eléctricas y causar corrosión, lo que puede dañar el producto.

3. Limpie los terminales y los extremos de los cables de la batería con un cepillo de alambre.

Para comprobar el freno de estacionamiento

1. Estacione el producto en una pendiente de superficie dura.

Tenga en cuenta: No estacione el producto en una pendiente con césped cuando realice la comprobación del freno de estacionamiento.

2. Acople el freno de estacionamiento.
3. Si el producto empieza a moverse con el freno de estacionamiento activado, solicite a un taller de servicio autorizado que ajuste el freno de estacionamiento.
4. Desacople el freno de estacionamiento.

Para cargar la batería

- Cargue la batería si está demasiado baja para arrancar el motor. Consulte la *Tiempos de carga de la batería en la página 71* para ver los tiempos de carga de la batería.
- Utilice un cargador de batería estándar.



AVISO: No utilice un cargador de batería de alta intensidad o un reforzador de arranque. Un cargador o reforzador de arranque dañará el sistema eléctrico del producto.

- Desconecte siempre el cargador de la batería antes de arrancar el motor.

Para hacer una parada de emergencia del motor

Si la batería está demasiado baja como para arrancar el motor, puede utilizar cables de puente para realizar un arranque de emergencia. Este producto tiene un sistema de 12 V con conexión a tierra negativa. El producto que se utilice para el arranque de emergencia

debe tener también un sistema de 12 V con conexión a tierra negativa.

Para conectar los cables de puente

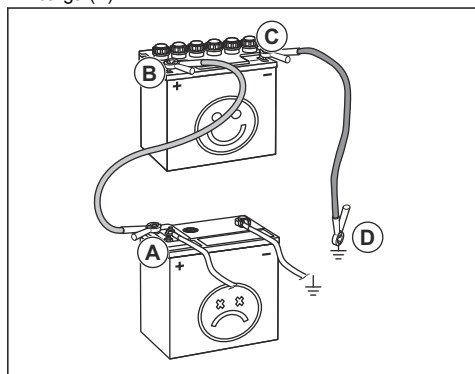


ADVERTENCIA: Existe riesgo de explosión debido a los gases explosivos procedentes de la batería. No conecte el terminal negativo de la batería totalmente cargada al terminal negativo de la batería con poca carga o cerca de este.



AVISO: No utilice la batería del producto para arrancar otros vehículos.

1. Conecte un extremo del cable rojo al terminal POSITIVO (+) de la batería a la batería con poca carga (A).



2. Conecte el otro extremo del cable rojo al terminal POSITIVO (+) de la batería a la batería totalmente cargada (B).



ADVERTENCIA: No haga cortocircuitos en los extremos del cable rojo contra el chasis.

3. Conecte un extremo del cable negro al terminal NEGATIVO (-) de la batería a la batería totalmente cargada (C).
4. Conecte el otro extremo del cable negro a una buena CONEXIÓN A TIERRA DEL CHASIS (D), alejado del depósito de combustible y la batería.

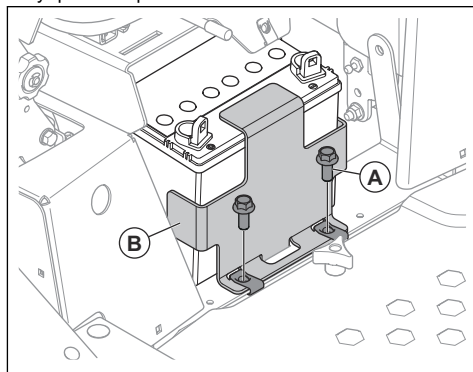
Para retirar los cables de puente

Tenga en cuenta: Quite los cables de puente en la secuencia opuesta a cómo los conectó.

1. Quite el cable NEGRO del chasis.
2. Quite el cable NEGRO de la batería totalmente cargada.
3. Quite el cable ROJO de las 2 baterías.

Para retirar e instalar la batería

1. Quite la cubierta del compartimento de la batería debajo del asiento.
2. Quite los 2 tornillos (A) del soporte de la batería (B) y quite el soporte de la batería.



3. Utilice una llave para desconectar el cable negro de la batería del terminal negativo (-) en la batería.
4. Utilice una llave para desconectar el cable rojo de la batería del terminal positivo (+) en la batería.
5. Retire con cuidado la batería del producto.
6. Vuelva a instalar todo en el orden inverso.

Para ajustar la velocidad de desplazamiento

Si el producto no se mueve en línea recta hacia adelante, se debe ajustar la velocidad de desplazamiento.



ADVERTENCIA: Ajuste siempre la velocidad de desplazamiento en un área abierta sin transeúntes.

1. Revise la presión de los neumáticos. Consulte *Presión de los neumáticos en la página 60*.
2. Gire los controles de desplazamiento completamente hacia adentro. Consulte la *Descripción general del producto en la página 38* para conocer la ubicación de los controles de desplazamiento.
3. Gire los controles de desplazamiento 4 veces.



AVISO: Si lo hace más de 4 vueltas, se puede dañar el producto.

4. Encienda el producto.
5. Mueva las palancas de control completamente hacia adelante y opere el producto en aceleración máxima.

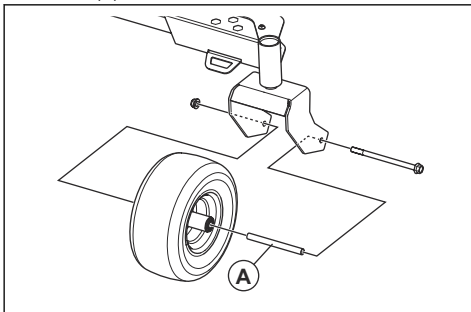
- Gire el control de desplazamiento del lado derecho gradualmente hasta que el producto empiece a moverse a la derecha.
- Gire el control de desplazamiento del lado izquierdo gradualmente hasta que el producto empiece a moverse en línea recta hacia adelante.

Presión de los neumáticos

Asegúrese de tener la presión correcta de los neumáticos en los 4 neumáticos. Consulte *Datos técnicos en la página 69*.

Para retirar e instalar las ruedas delanteras

- Retire la tuerca y el perno para quitar las ruedas delanteras de las horquillas. No es necesario retirar el tubo (A).



- Vuelva a instalar todo en el orden inverso. Apriete la tuerca y el perno a 60–85 pies-lb / 81–115 Nm.



AVISO: Asegúrese de que el tubo (A) esté instalado correctamente. Si el tubo no está instalado, el rendimiento será deficiente y la vida útil de la rueda disminuirá.

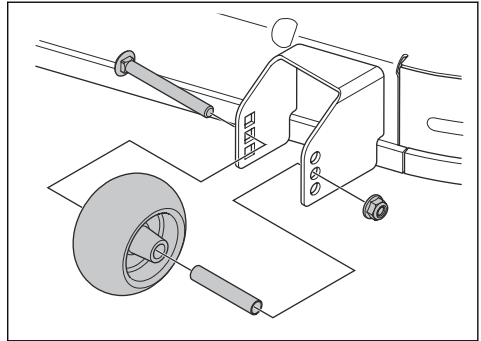
Para ajustar las ruedas de apoyo

Las ruedas de apoyo mantienen el equipo de corte en la posición correcta sobre el suelo y evitan el corte al ras del césped en la mayoría de las condiciones del terreno. Las ruedas de apoyo se pueden establecer en 3 posiciones para longitudes diferentes de césped:

- Posición superior: Césped de 38 a 64 mm/1,5 a 2,5 pulg.
- Posición media: Césped de 64 a 102 mm/2,5 a 4 pulg.
- Posición inferior: Césped de 102 a 127 mm/4 a 5 pulg.

- Estacione el producto en suelo nivelado y detenga el motor.

- Retire la tuerca, el perno, el eje y la rueda de apoyo.



- Instale las ruedas de apoyo en una de las tres posiciones.

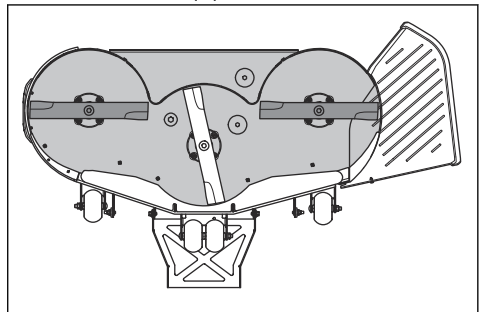


AVISO: El equipo de corte puede dañarse si las ruedas de apoyo se ajustan incorrectamente. Las ruedas de apoyo deben estar aproximadamente a 6,4 mm/1/4 pulg. del suelo.

Para ajustar el paralelismo del equipo de corte

Este procedimiento permitirá colocar al equipo de corte en una posición estándar.

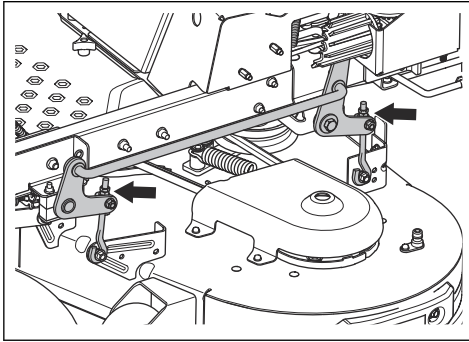
- Asegúrese de que la presión de los neumáticos sea la correcta. Consulte *Presión de los neumáticos en la página 60*.
- Estacione el producto sobre una superficie nivelada.
- Gire las puntas externas de la cuchilla para alinearlas con el equipo de corte de lado a lado.



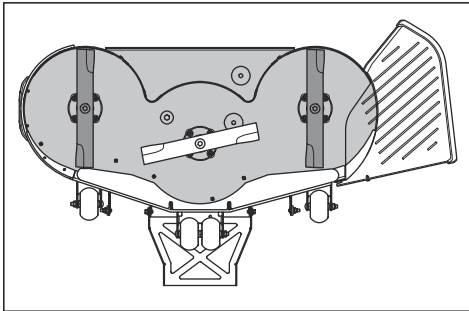
ADVERTENCIA: Las cuchillas del equipo de corte están afiladas y pueden causar lesiones. Use guantes protectores.

- Mida la distancia entre el suelo y la parte inferior de la punta de la cuchilla en el lado de descarga del equipo de corte. Tome nota de la distancia.

5. Mida la distancia entre el suelo y la parte inferior de la punta de la cuchilla en el lado opuesto al lado de descarga. La distancia debe ser la misma que la distancia del lado de descarga. Si es necesario realizar ajustes, ajuste la contratuerca en la parte superior de los eslabones traseros hasta que las 2 distancias de lado a lado sean iguales.



6. Gire las 2 cuchillas exteriores para alinearlas con el equipo de corte desde la parte delantera a la trasera.



7. Ajuste los 2 pernos delanteros hasta que las puntas de la cuchilla trasera estén entre 3,2 y 9,5 mm/1/8 y 3/8 pulg. más altas en la parte trasera que las puntas de la cuchilla delantera.
8. Mida otra vez las distancias para asegurarse de que el equipo de corte se haya ajustado correctamente.

Para examinar las cuchillas



AVISO: Las cuchillas dañadas o mal equilibradas pueden dañar el producto. Reemplace las cuchillas dañadas. Deje que en un taller de servicio autorizado le ayuden a afilar y equilibrar las cuchillas romas.

- Mire las cuchillas para ver si están dañadas y si es necesario afilarlas.

Para sustituir las hojas

1. Retire el tornillo de la cuchilla.

2. Monte la cuchilla nueva con el lado sin sellos en la dirección del equipo de corte.



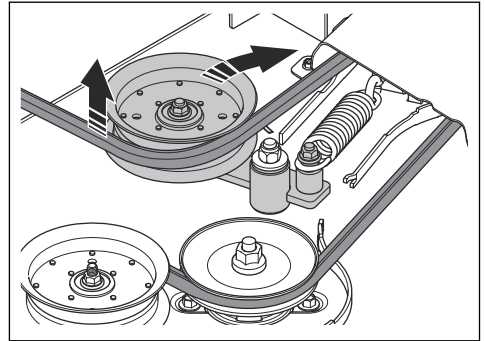
ADVERTENCIA: El tipo incorrecto de cuchilla puede causar que se propulsen objetos desde el equipo de corte y provocar daños graves. Utilice únicamente cuchillas aprobadas.

3. Fije el tornillo de la cuchilla. Apriete el perno a 61–75 Nm.

Para extraer la correa del equipo

Estacione el producto en una superficie nivelada y active el freno de estacionamiento antes de realizar esta tarea.

1. Coloque el equipo de corte en la posición más baja.
2. Retire las 2 cubiertas de la correa.
3. Retire la suciedad y los materiales no deseados alrededor de la cortadora y de la superficie del equipo de corte.
4. Presione el brazo guía para disminuir la tensión en la correa del equipo y retire con cuidado la correa del equipo de las poleas.



5. Retire la correa del equipo del embrague eléctrico en el eje del motor.

Para instalar la correa del equipo

1. Coloque la correa del equipo alrededor de la polea del embrague eléctrico en el eje del motor.
2. Coloque la correa del equipo alrededor de las poleas en el equipo de corte.

Tenga en cuenta: Consulte la etiqueta de recorrido que se encuentra en el equipo de corte cuando instale la correa del equipo.

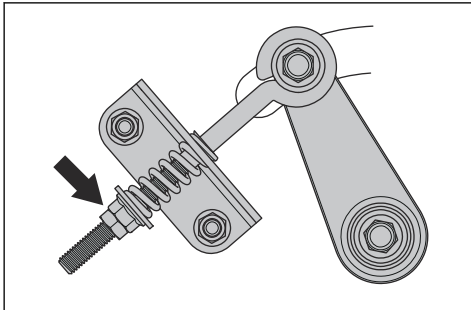
3. Presione el brazo guía hasta que pueda colocar la correa del equipo alrededor de la polea tensora fija y sosténgala ahí.
4. Coloque con cuidado la correa del equipo alrededor de la polea tensora fija y suelte lentamente el brazo de la polea tensora en su posición.

- Asegúrese de que el recorrido de la correa coincida con el que se muestra en la etiqueta de recorrido de la correa.
- Asegúrese de que la correa del equipo no esté torcida.
- Instale las 2 cubiertas de la correa.

Para extraer la correa de la bomba

Estacione el producto en una superficie nivelada y active el freno de estacionamiento antes de realizar esta tarea.

- Levante la parte trasera del producto y coloque soportes debajo.
- Quite las ruedas motrices.
- Extraiga la correa del equipo. Consulte *Para extraer la correa del equipo en la página 61*.
- Retire el tope del embrague para acceder a la correa de la bomba.
- Afloje las tuercas del perno de anillo para disminuir la tensión en la correa de la bomba.



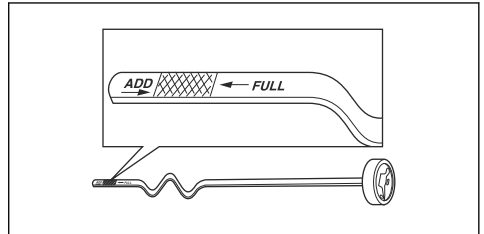
- Quite la correa de la bomba del motor y las poleas de la bomba.

Para instalar la correa de la bomba

- Afloje las tuercas del perno de anillo para disminuir la tensión en la correa de la bomba.
- Coloque la correa de la bomba alrededor de las poleas derecha e izquierda de la bomba.
- Coloque la correa de la bomba alrededor de la polea del motor.
- Instale el tope del embrague.
- Gire la tuerca del perno de anillo en la polea tensora para ajustar la tensión de la correa de la bomba. La longitud del resorte debe ser de 3,5 a 3,8 cm/1,38 a 1,50 pulg.
- Instale la correa del equipo. Consulte *Para instalar la correa del equipo en la página 61*.
- Instale las ruedas motrices.
- Quite los soportes y baje la parte trasera del producto.

Para revisar el nivel de aceite del motor

- Estacione el producto en suelo nivelado y detenga el motor.
- Afloje la varilla de nivel y extráigala.
- Limpie el aceite de la varilla de nivel.
- Coloque la varilla de nivel en el orificio de la varilla de nivel y apriétela.
- Afloje y extraiga la varilla de nivel y lea el nivel de aceite.
- El nivel de aceite debe estar entre las marcas de la varilla de nivel. Si el nivel está cerca de la marca ADD (Agregar), llene con aceite hasta la marca FULL (Lleno).



- Cargue el aceite a través del orificio de la varilla de nivel. Cargue lentamente el aceite.

Tenga en cuenta: Consulte *Datos técnicos en la página 69* para ver los tipos de aceite del motor que Husqvarna recomiendan. No mezcle diferentes tipos de aceite.

- Apriete la varilla de nivel completamente antes de arrancar el motor.

Para cambiar el aceite del motor:

Si el motor está frío, arránquelo entre 1 y 2 minutos antes de drenar el aceite del motor. Esto calienta el aceite del motor, por lo que se drena más rápido.



ADVERTENCIA: No haga funcionar el motor durante más de 1-2 minutos antes de drenar el aceite del motor. El aceite del motor se calienta mucho y puede causar quemaduras graves. Deje que el motor se enfríe antes de drenar el aceite del motor.



ADVERTENCIA: Si se derrama aceite del motor en su cuerpo, limpie con agua y jabón.

- Estacione el producto en suelo nivelado y detenga el motor.
- Acople el freno de estacionamiento. Consulte *Para acoplar y desacoplar el freno de estacionamiento en la página 51*.

3. Retire toda la suciedad alrededor del tapón del depósito de aceite.
4. Retire el tapón del depósito de aceite y la varilla de nivel.
5. Busque el tapón de vaciado de aceite en el motor. Consulte *Descripción general del producto en la página 38*.
6. Coloque un recipiente debajo del tapón de vaciado de aceite.
7. Retire el tapón de vaciado de aceite.
8. Deje que el aceite se termine de verter en el contenedor.
9. Reemplace e instale el tapón de vaciado de aceite.
10. Cargue con aceite nuevo y revise el nivel de aceite del motor. Consulte *Para revisar el nivel de aceite del motor en la página 62*.
11. Instale el tapón del depósito de aceite y la varilla de nivel.

Tenga en cuenta: Para una eliminación segura del aceite del motor usado, consulte *Eliminación en la página 68*.

Lubricación; información general

- Retire la llave de contacto para evitar movimientos involuntarios durante las tareas de lubricación.
- Limpie el área antes de lubricar una pieza del producto.
- Utilice aceite cuando lubrique con una lata de aceite.
- Cuando lubrique con grasa, utilice grasa para chasis o grasa para cojinetes de bolas que evite la corrosión. Retire la grasa no deseada después de la lubricación.

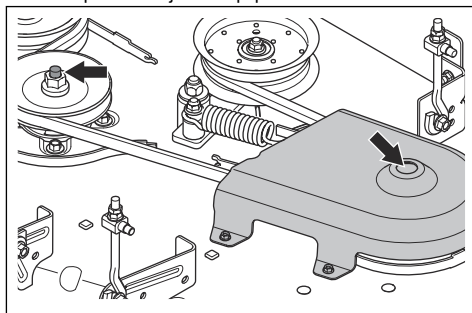
- Lubrique el producto 2 veces a la semana si lo utiliza a diario.
- No derrame lubricante en las correas de transmisión o en las ranuras de las poleas de correa. Si se derrama, limpie con alcohol. Si la fricción entre la correa de transmisión y la polea no es suficiente después de limpiar con alcohol, reemplace la correa de transmisión.



AVISO: No utilice gasolina ni otros productos petrolíferos para limpiar las correas de transmisión.

Para lubricar los ejes del equipo de corte

1. Coloque el equipo de corte en la posición de corte.
2. Lubrique cada eje del equipo de corte 2 a 3 veces.



Tenga en cuenta: Utilice una pistola de engrase con una manguera de goma cuando lubrique los ejes del equipo de corte.

Solución de problemas








Programa de solución de problemas

Si no encuentra una solución a sus problemas en este manual de usuario, consulte a su taller de servicio de Husqvarna.

Problema	Causa
El motor no arranca.	La transmisión de las cuchillas está activada. Consulte <i>Botón e indicador LED de la toma de fuerza (PTO) en la página 40.</i>
	Los controles de dirección no están bloqueados en la posición neutra.
	La batería tiene muy poca carga. Consulte <i>Para cargar la batería en la página 58.</i>
	Hay suciedad en el carburador o la tubería de combustible.
	El filtro de combustible o el tubo de combustible están obstruidos.
	El sistema de encendido está dañado.
El motor de arranque no hace girar el motor.	La batería tiene muy poca carga. Consulte <i>Para cargar la batería en la página 58.</i>
	La conexión de los conectores del cable con los terminales de la batería está mal. Consulte <i>Para limpiar la batería en la página 58.</i>
	Un fusible está fundido. Consulte <i>Fusibles en la página 41.</i>
	El control de presencia del operador (OPC) está dañado. Consulte <i>Control de presencia del operador (OPC) en la página 41.</i>
El motor no funciona correctamente.	El carburador está mal ajustado.
	El filtro de combustible o el suministro de combustible están obstruidos.
	La válvula de comprobación en el tapón del depósito de combustible está obstruida.
	El depósito de combustible está casi vacío.
	La bujía está dañada.
	Mezcla de combustible o tipo de combustible incorrecto.
	Hay agua en el combustible.
	El filtro de aire está obstruido.
Aparentemente el motor no tiene energía.	El filtro de aire está obstruido.
	La bujía está dañada.
	El carburador está mal ajustado.
	Hay aire en el sistema hidráulico.
Hay vibración en el producto.	Las cuchillas están sueltas. Consulte <i>Para examinar las cuchillas en la página 61.</i>
	Una o varias cuchillas se encuentran desequilibradas. Consulte <i>Para examinar las cuchillas en la página 61.</i>
	El motor está suelto.

Problema	Causa
El motor se sobrecalienta.	El filtro de aire o las aletas de refrigeración están obstruidas.
	Hay sobrecarga en el motor.
	El flujo de aire alrededor del motor no es suficiente.
	El regulador de régimen del motor está dañado.
	El nivel de aceite es demasiado bajo.
	Hay suciedad en el tubo de combustible.
	La bujía está dañada.
La batería no se carga.	La conexión de los conectores del cable con los terminales de la batería está mal. Consulte <i>Para limpiar la batería en la página 58</i> .
	El cable de carga está desconectado.
	El sistema de carga está dañado.
El producto se mueve lentamente, con velocidad irregular o no se mueve.	Los varillajes de derivación están conectados.
	La correa de transmisión está floja o dañada.
	Hay aire en el sistema hidráulico.
La transmisión de las cuchillas no se acciona.	La correa de transmisión del equipo de corte está floja.
	El contacto del acoplamiento electromagnético está flojo.
	La transmisión de la cuchilla está dañada o suelta de los conectores de cable.
	Un fusible está fundido.
El transeje tiene fugas de aceite.	Los sellos, la caja o las juntas están dañados.
	Hay aire en el sistema hidráulico.
El resultado de corte no es satisfactorio.	La presión de los neumáticos es distinta en los lados derecho e izquierdo. Consulte <i>Presión de los neumáticos en la página 60</i> .
	Las cuchillas están dañadas.
	La suspensión del equipo de corte no está nivelada.
	Las cuchillas no tienen filo. Consulte <i>Para examinar las cuchillas en la página 61</i> .
	El producto funciona a una velocidad de avance o retroceso demasiado alta. Consulte <i>Para conseguir un buen resultado de corte en la página 54</i> .
	El césped es largo. Consulte <i>Símbolos en el producto en la página 41</i> .
	El equipo de corte está obstruido con césped. Consulte <i>Para limpiar el producto en la página 58</i> .





Mensajes de precaución en la pantalla



Símbolo	Nombre	Causa
	Indicador de control de presencia del operador (OPC)	El producto se detiene porque el operador no está en el asiento y el freno de estacionamiento no está acoplado.
	Indicador de freno de estacionamiento	El freno de estacionamiento está accionado.
	Indicador del interruptor de llave	El producto no puede arrancar si el interruptor de llave está en la posición bloqueada.
		El producto se detiene si el interruptor de llave se mueve de la posición desbloqueada a la posición bloqueada.
	Indicador de la palanca de control	Las palancas de control están en la posición de estacionamiento.
	Indicador de la palanca de control	Una de las palancas de control no está en la posición neutra.
		
	Indicador de la palanca de control	Las palancas de control están en la posición neutra.

Mensajes de advertencia en la pantalla

Un indicador de advertencia parpadea y aparece el símbolo del tipo de advertencia. Si el indicador de

advertencia se muestra junto con un número de error, comuníquese con su distribuidor de mantenimiento de Husqvarna.

Símbolo	Nombre	Causa
	Indicador de advertencia	Advertencia de seguridad. El otro símbolo indica el tipo de advertencia.
	Focos	Los faros están encendidos.
	Indicador de nivel de la batería	La batería tiene bajo voltaje. Consulte <i>Para cargar la batería en la página 58</i> .
	Indicador de PTO (toma de fuerza)	La transmisión de las cuchillas está activada.

Símbolo	Nombre	Causa
	Indicador de freno de estacionamiento	El freno de estacionamiento está accionado.
	Indicador del motor	Hay un problema en el motor.

Transporte, almacenamiento y eliminación de residuos

Transporte

- No remolque el producto.
- El producto es pesado y puede causar lesiones por aplastamiento. Tenga cuidado cuando lo cargue o descargue de un vehículo o remolque.
- Cargue el producto en reversa por las rampas autorizadas con un ángulo máximo de operación de 10°. No levante el producto.
- Utilice un remolque aprobado para el transporte del producto.
- Asegúrese de conocer las normas del tránsito locales antes de transportar el producto en un remolque o por caminos.
- Bloquee el producto con dispositivos autorizados, como correas. Utilice puntos de amarre en el producto o en las áreas correspondientes del bastidor. El freno de estacionamiento no es suficiente para bloquear el producto durante el transporte.

Almacenamiento

Prepare el producto para guardarlo al final de la temporada, y antes de más de 30 días de almacenamiento. Si mantiene combustible en el depósito de combustible durante 30 días o más, partículas pegajosas pueden obstruir el carburador. Esto afecta negativamente el funcionamiento del motor.

Para evitar partículas pegajosas durante el almacenamiento, agregue un estabilizador. Si se utiliza gasolina de alquiler, no es necesario un estabilizador. Si se utiliza gasolina estándar, no cambie a gasolina de alquiler. Esto puede provocar que las piezas de goma sensibles se endurezcan. Agregue estabilizador al combustible del depósito o al contenedor usado para el almacenamiento. Utilice siempre las proporciones de mezcla indicadas por el fabricante. Añada el estabilizador y haga funcionar el motor durante un mínimo de 10 minutos, hasta que el combustible fluya hacia el carburador.



ADVERTENCIA: No mantenga el producto con combustible en el depósito en interiores o en lugares con mala ventilación. Existe riesgo de incendio si los vapores de combustible alcanzan llamas abiertas, chispas o luces piloto, como calderas, depósitos de agua caliente y secadoras de ropa.



ADVERTENCIA: Retire el césped, las hojas y otros materiales inflamables del producto para reducir el riesgo de incendio. Deje que el producto se enfríe antes de guardarlo.

- Limpie el producto, consulte la sección *Para limpiar el producto en la página 58*.
- Retire los materiales no deseados del ventilador de refrigeración.
- Repare los daños de la pintura para evitar la corrosión.
- Examine el producto en busca de piezas dañadas o desgastadas y apriete las tuercas y los tornillos sueltos.
- Extraiga la batería. Límpiela, cárguela y manténgala fría durante el almacenamiento.
- Reemplace el aceite del motor y deseche el aceite residual.
- Vacíe el depósito de combustible. Arranque el motor y déjelo en marcha hasta que no quede combustible en el carburador.

Tenga en cuenta: No vacíe el depósito de combustible ni el carburador si se ha agregado un estabilizador.

- Extraiga los tapones y ponga aproximadamente una cucharadita de aceite del motor en cada cilindro. Gire manualmente el eje del motor para aplicar el aceite y ponga los tapones de nuevo.
- Lubrique todas las boquillas de engrase, juntas y ejes.

- Mantenga el producto en una zona limpia y seca, y cúbralo para mayor protección.

Eliminación

- Las sustancias químicas pueden ser peligrosas y no deben tirarse en el suelo. Siempre elimine los productos químicos utilizados en un centro de servicio o un lugar adecuado para su eliminación.
- Cuando el producto se desgaste completamente, envíelo al distribuidor o a un centro de reciclaje aplicable.
- El aceite, los filtros de aceite, el combustible y la batería pueden tener efectos negativos en el ambiente. Obedezca las regulaciones vigentes y requisitos de reciclaje locales.
- No deseche la batería como un residuo doméstico.
- Envíe la batería a un taller de servicio Husqvarna o deséchela en un lugar para eliminación de baterías usadas.

Datos técnicos

Datos técnicos

	Xcite™ Z350	Xcite™ Z380
Motor		
Marca/modelo	Kohler/KT735	Kohler/KT745
Potencia nominal del motor, hp/kW ²⁰	24/17,9	26/19,3
Cilindrada, cm ³	725	747
Máx. régimen del motor, rpm	3600 ± 75	3600 ± 75
Combustible, grado de octanos mínimo sin plomo, etanol al 10 % máx., 15 % MTBE máx.	87	87
Volumen del depósito, gal/l	4,31/16,3	4,31/16,3
Aceite	Clase SF, SG, SH, SJ o SL SAE40, SAE30, SAE20W-50, SAE10W-40, SAE10W-30, SAE5W-20	Clase SF, SG, SH, SJ o SL SAE40, SAE30, SAE20W-50, SAE10W-40, SAE10W-30, SAE5W-20
Volumen de aceite con filtro, oz/l	64/1,9	64/1,9
Volumen de aceite sin filtro, oz/l	66,6/2	66,6/2
Sistema de lubricación	Presión con filtro de aceite	Presión con filtro de aceite
Sistema refrigerante	Refrigerado por aire	Refrigerado por aire
Filtro de aire	Cartucho de servicio pesado	Cartucho de servicio pesado
Alternador, V. amp. a 3600 rpm	12 V 15 amp a 3500 ± 100 rpm	12 V 15 amp a 3500 ± 100 rpm
Motor de arranque	Arranque eléctrico de 12 V	Arranque eléctrico de 12 V
Dimensiones		
Longitud, in/cm	78,75/200,3	78,75/200,3
Ancho, in/cm	49,5/126	49,5/126
Ancho con la tolva hacia arriba, in/cm	53,9/137	53,9/137
Ancho con la tolva hacia abajo, in/cm	68/172,7	68/172,7
Altura, in/cm	42,5/108	46/116,8
Peso, sin combustible, lb/kg	794/360,2	828/375,6
Peso bruto máximo del vehículo (GVWR, del inglés "Gross Vehicle Weight Rating"), lb/kg ²¹	1300/589,6	1300/589,6
Gradiente máxima, grados °	10	10

²⁰ La potencia nominal declarada por el fabricante del motor es la salida de potencia bruta promedio en las RPM especificadas de un motor típico de producción para el modelo del motor medido utilizando las normas SAE de potencia bruta del motor. Consulte las especificaciones del motor del fabricante.

²¹ La clasificación de peso bruto máximo del vehículo (GVWR) es la capacidad de peso máxima de un producto completamente cargado. Esto incluye al operador, todos los accesorios, las opciones, el equipo y la carga.

	Xcite™ Z350	Xcite™ Z380
Ancho de corte, in/cm	54/137	54/137
Altura de corte, in/cm	1,5-4,5/3,9-11,4	1,5-4,5/3,9-11,4
Equipo de corte		
Construcción del equipo	Fabricado con calibre 10	Fabricado con calibre 10
Cantidad de cuchillas	3	3
Longitud de la hoja, in/cm	21/53	21/53
Acoplamiento de la cuchilla	Embrague Ogura	Embrague Ogura
Productividad, acres/h / m ² /h	3,48/14083	3,92/15863
Neumáticos		
Presión de los neumáticos, delanteros, kPa/PSI/bar	103/15/1	103/15/1
Presión de los neumáticos, traseros, kPa/PSI/bar	103/15/1	103/15/1
Neumáticos delanteros, in	13 x 6,5-6	13 x 6,5-6
Neumáticos traseros, neumático para césped, in	20 x 10-10	22 x 10-10
Ruedas de apoyo	4 ajustables	4 ajustables
Transmisión		
Transmisión	Tuff Torq TZ-350	Parker HTE 10
Aceite de la transmisión	Tuff Torq Tuff Tech	Parker HT-1000, Castrol Syntec 5 W-50, Amsoil AW ISO 68, Shell TTF-SB, otros aceites sintéticos premium (15 W, 40 min)
Control de la dirección	Dos palancas, sujeción de espuma	Dos palancas, sujeción de espuma
Régimen máximo de avance, mph / km/h	8/12,87	9/14,48
Régimen máximo de retroceso, mph / km/h	3,5/5,63	4,5/7,24
Frenos	Freno de estacionamiento mecánico	Freno de estacionamiento mecánico
Sistema eléctrico		
Batería	Clase CCA 230 de 12 V	Clase CCA 230 de 12 V
Bujía	XC12YC	XC12YC
Distancia entre los electrodos, in/mm	0,03/0,76	0,03/0,76
Par de la bujía, pie-lb/Nm	22/27	22/27

Tiempos de carga de la batería

Batería STD	Estado de carga	Tiempo de caga aproximado para carga completa a 26 °C/80 °F ²²			
		Régimen máximo en:			
		50 amperios	30 amperios	20 amperios	10 amperios
12,6 V	100 %	Completamente cargada			
12,4 V	75 %	20 min.	35 min.	48 min.	90 min.
12,2 V	50 %	45 min.	75 min.	95 min.	180 min.
12,0 V	25 %	65 min.	115 min.	145 min.	280 min.
11,8 V	0 %	85 min.	150 min.	195 min.	370 min.

Servicio

Realice una comprobación anual en un centro de servicios autorizado para asegurarse de que el producto funciona de forma segura y a su máximo potencial durante la temporada alta. El mejor momento para hacer mantenimiento o reparaciones a este producto es en la temporada baja.

Cuando envíe un pedido de piezas de repuesto, dé información sobre el año de compra, modelo, tipo y número de serie.

Utilice siempre piezas de repuesto originales.

²² El tiempo de carga de la batería puede ser diferente debido a la capacidad, la condición, la antigüedad, la temperatura y la eficiencia del cargador.

Marcas comerciales

La marca denominativa y los logotipos de *Bluetooth®* son marcas comerciales de *Bluetooth SIG, inc.* y cualquier uso de dichas marcas por Husqvarna está sometido a un acuerdo de licencias.

Table des matières

Certificats de conformité.....	74	Dépannage.....	102
Introduction.....	75	Transport, entreposage et mise au rebut.....	105
Sécurité.....	82	Données techniques.....	107
Fonctionnement.....	88	Service.....	109
Entretien.....	93	Marques déposées.....	111

Certificats de conformité

Exigences É.-U

Des étiquettes sont placées sur le moteur ou dans le compartiment moteur pour indiquer que la machine satisfera les exigences. La chose est également applicable aux exigences spéciales pour l'un ou l'autre des états américains (par exemple la réglementation en matière d'émissions de la Californie). Ne pas retirer ces étiquettes. Les certificats peuvent également être fournis avec la machine à la livraison ou inclus dans le manuel du moteur. Les traiter comme des documents de valeur.



AVERTISSEMENT : Le non-respect des pratiques d'utilisation peut entraîner des blessures graves à l'opérateur ou à d'autres personnes. Le propriétaire de la machine doit comprendre ces directives et ne doit permettre qu'à des personnes autorisées comprenant bien les consignes de sécurité d'utiliser la tondeuse. Chaque personne utilisant la tondeuse doit être saine de corps et d'esprit; elle ne doit pas être sous l'influence de substances pouvant altérer son jugement.



AVERTISSEMENT : Les gaz d'échappement du moteur de cet appareil, certains de ses constituants, et certains composants du véhicule contiennent ou émettent des substances chimiques considérées par l'État de la Californie comme étant cancérigènes et capables de causer des malformations congénitales ou autres effets nuisibles sur les organes reproducteurs.



AVERTISSEMENT : Les cosses et les bornes de la batterie, ainsi que

les accessoires connexes, contiennent du plomb et des composés de plomb, des produits chimiques reconnus par l'État de la Californie comme pouvant causer des cancers, des malformations du fœtus ou tout autre problème lié à la reproduction. Laver les mains après la manipulation.



AVERTISSEMENT : Les gaz d'échappement du moteur et certaines parties de la machine contiennent ou émettent des produits chimiques qui sont considérés comme cancérigènes et pouvant provoquer des malformations fœtales ou d'autres problèmes de reproduction. Les gaz d'échappement du moteur contiennent du monoxyde de carbone qui est un gaz inodore, incolore et toxique. Ne pas utiliser la machine dans un local fermé.

Lorsque le produit est usé et ne peut plus être utilisé, le retourner au revendeur ou à un tiers à des fins de recyclage.

Afin de mettre en œuvre des améliorations, les spécifications et la conception peuvent être modifiées sans préavis.

N'utiliser que des pièces d'origine pour les réparations. Le recours à d'autres pièces aura pour effet d'annuler la garantie.

Ne pas modifier la machine ou poser de l'équipement non standard sans avoir obtenu au préalable le consentement du fabricant. Les modifications apportées à la machine peuvent entraîner un fonctionnement non sécuritaire ou endommager la machine.

Introduction

Inspection avant livraison et numéros de produit

document d'inspection avant livraison auprès de votre concessionnaire.

Une inspection avant livraison a été effectuée pour ce produit. S'assurer de recevoir une copie signée du

Coordonnées d'un agent d'entretien :	
Le présent manuel de l'opérateur est destiné à la machine ayant le numéro de produit ou le numéro de série :	
/	
Moteur :	
Transmission :	

Les numéros de produit se trouvent sur la plaque signalétique. Se reporter à *Présentation de l'appareil à la page 76* pour connaître l'emplacement de la plaque signalétique.

Description du produit

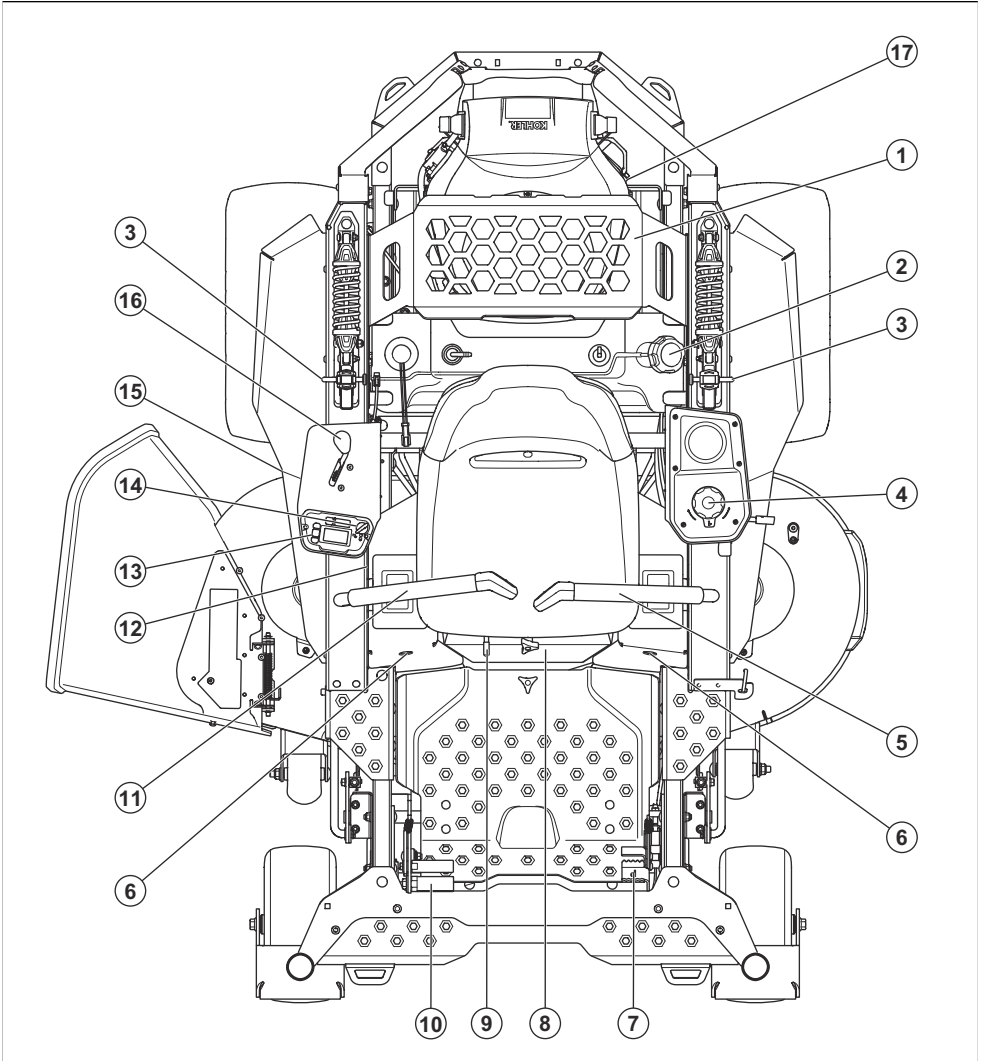
Le produit est une tondeuse autoportée. Les leviers de commande permettent à l'opérateur de diriger le produit

et de régler la vitesse du produit. Un compteur horaire indique le nombre d'heures d'utilisation du produit.

Utilisation prévue

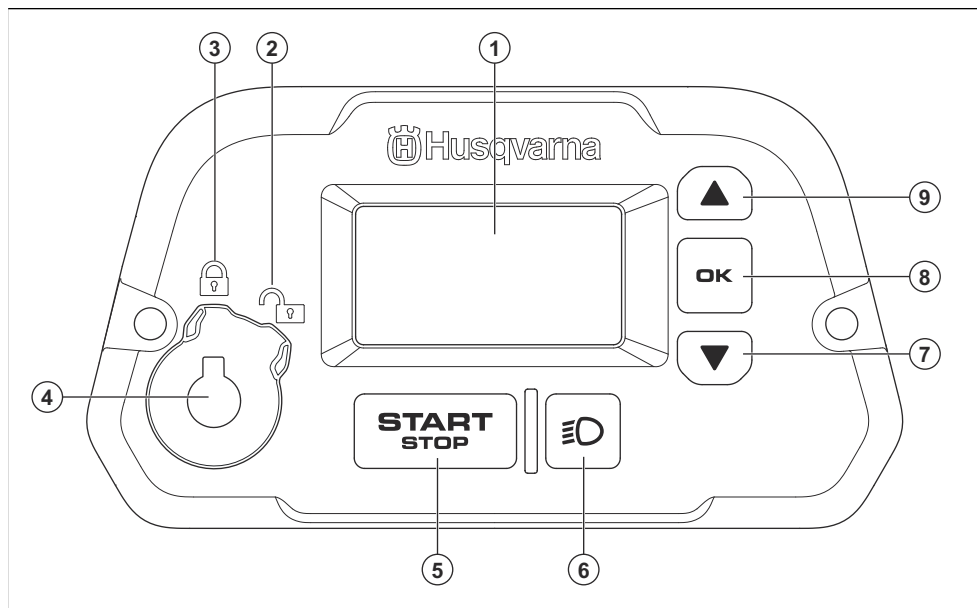
Le produit est conçu pour couper l'herbe sur un terrain ouvert et plat uniquement. Ne pas utiliser l'outil pour d'autres tâches.

Présentation de l'appareil



1. Porte-accessoires
2. Réservoir de carburant
3. Réglage de la suspension du siège
4. Réglage de la hauteur de coupe
5. Levier de commande gauche avec bouton ON/OFF (démarrage/arrêt)
6. Commandes d'alignement
7. Pédale du frein de stationnement
8. Couverture du compartiment de batterie
9. Levier de réglage du siège
10. Pédale de levage de l'unité de coupe
11. Levier de commande droit avec bouton de prise de force
12. Fusibles
13. Panneau de commande
14. Commutateur avec clé
15. Plaque signalétique
16. Commande d'accélérateur
17. Bouchon de vidange d'huile

Vue d'ensemble du panneau de commande



1. Écran
2. Position déverrouillée du commutateur
3. Position verrouillée du commutateur
4. Commutateur
5. Bouton ON/OFF (démarrage/arrêt) du moteur
6. Bouton ON/OFF (démarrage/arrêt) des phares
7. Bouton vers le bas
8. Bouton OK
9. Bouton vers le haut

Sélections à l'écran

Vous pouvez choisir le régime moteur, l'heure de session, l'état de la batterie et la température ambiante pour les afficher à l'écran pendant le fonctionnement. Se reporter à *Symboles sur l'écran et le panneau de commande à la page 80* pour obtenir la description des symboles.

1. Appuyer sur le bouton OK du panneau de commande pour ouvrir la structure du menu.
2. Appuyer sur les boutons vers le haut et vers le bas du panneau de commande jusqu'à ce que le bon symbole soit sélectionné.
3. Appuyer sur le bouton OK et attendre 5 secondes. Le symbole sélectionné s'affiche à l'écran avec la valeur actuelle.

Types de message

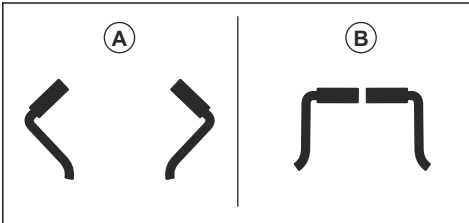
Il y a quatre types de message qui peuvent apparaître à l'écran. Un message s'affiche sous forme de symbole ou de combinaison de symboles.

Type de message	Description de la pièce
Message d'information	Dans le coin inférieur droit de l'écran. Indique qu'une fonction est engagée ou qu'un entretien est nécessaire.
Message de mise en garde	Au centre de l'écran. Indique une anomalie. Se reporter à <i>Messages de mise en garde à l'écran à la page 104</i> .
Message d'avertissement	Au centre de l'écran. Un triangle d'avertissement s'affiche avec un symbole supplémentaire s'il y a un avertissement de sécurité ou si le produit est endommagé. Se reporter à <i>Messages d'avertissement à l'écran à la page 105</i> .
Message d'erreur	Au centre de l'écran. Un triangle d'avertissement s'affiche avec un numéro. Le produit pourra être utilisé lorsqu'un entretien aura été effectué. Communiquer avec votre centre de services Husqvarna.

Commandes de direction

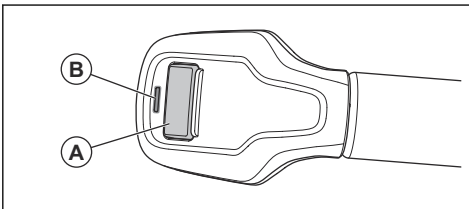
La direction du produit est contrôlée par deux leviers de commande. Se reporter à *Présentation de l'appareil à la page 76*. Le levier de commande droit est doté d'un bouton de prise de force. Le levier de commande gauche est doté d'un bouton ON/OFF (démarrage/arrêt).

Les leviers de commande doivent être à la position de stationnement (A) pour que le produit démarre. Les leviers de commande peuvent être déplacés vers l'avant et vers l'arrière à partir du point mort (B). Se reporter à *Utilisation du produit à la page 92*.



Bouton de prise de force (prise de force) et témoin à DEL

Le bouton de prise de force (A) se trouve sur le levier de commande droit. Le bouton de prise de force engage et désengage l'embrayage de prise de force et l'unité de coupe. Les conditions de démarrage correctes doivent être respectées pour engager l'entraînement des pales. Se reporter à *Conditions de fonctionnement à la page 85* pour connaître les conditions de démarrage appropriées.



- Appuyer sur le bouton de prise de force et le maintenir enfoncé pendant 1 à 2 secondes pour engager le mécanisme d'entraînement des lames. Un symbole de prise de force à l'écran indique que l'entraînement des lames est engagé.
- Appuyer de nouveau sur le bouton de prise de force et le maintenir enfoncé pendant 1 à 2 secondes pour désengager le mécanisme d'entraînement des lames.

Le témoin à DEL (B) adjacent au bouton de prise de force indique l'état de la prise de force.

Témoin à DEL	Description de la pièce
Blanc fixe	L'entraînement des lames est engagé, aucune erreur.

Témoin à DEL	Description de la pièce
Jaune clignotant	Lorsque le bouton de prise de force est enfoncé : Le mécanisme d'entraînement des lames ne peut pas être engagé parce que l'opérateur n'est pas assis sur le siège. Pendant l'utilisation : Le mécanisme d'entraînement des lames sera bientôt désengagé parce que l'opérateur n'est pas assis sur le siège.
Rouge clignotant	Le mécanisme d'entraînement des lames est désengagé parce que l'opérateur n'est pas assis sur le siège.
Rouge fixe	La fonction de prise de force est défectueuse. L'entretien est nécessaire.

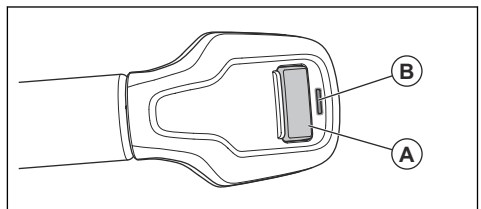
Bouton ON/OFF (démarrage/arrêt) du moteur et témoin à DEL

Le bouton ON/OFF (démarrage/arrêt) du moteur (A) se trouve sur le levier de commande gauche.

Remarque : Un bouton ON/OFF (démarrage/arrêt) du moteur se trouve aussi sur le panneau de commande. Se reporter à *Vue d'ensemble du panneau de commande à la page 77*. Les deux boutons ON/OFF (démarrage/arrêt) du moteur ont la même fonction.

Les boutons ON/OFF (démarrage/arrêt) du moteur démarrent et arrêtent le moteur. Les conditions de démarrage appropriées doivent être respectées pour que le moteur démarre. Se reporter à *Conditions de fonctionnement à la page 85* pour connaître les conditions de démarrage appropriées.

Le témoin à DEL (B) adjacent au bouton ON/OFF (démarrage/arrêt) du moteur sur le levier de commande gauche fournit de l'information sur le fonctionnement du moteur.



Témoin à DEL	Description de la pièce
Blanc fixe	Le moteur tourne, aucune erreur.

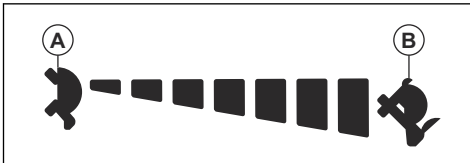
Témoin à DEL	Description de la pièce
Jaune clignotant	Le moteur ne peut pas démarrer. Le frein de stationnement n'est pas serré, les leviers de commande sont mal placés ou le commutateur est à la position verrouillée.
Blanc clignotant	Toutes les conditions de fonctionnement sont respectées. Le démarrage du moteur est possible.
Rouge clignotant	Le moteur s'est arrêté parce que le frein de stationnement n'est pas serré et que l'opérateur n'est pas assis sur le siège.
Rouge fixe	Le moteur est endommagé. L'entretien est nécessaire.

Contrôle de présence de l'opérateur

Le contrôle de présence de l'opérateur s'engage lorsque le conducteur se lève de son siège. Le moteur et l'entraînement des lames s'arrêtent si les lames sont engagées ou si le frein de stationnement n'est pas serré. Se reporter à *Conditions de fonctionnement à la page 85*.

Commande d'accélérateur

La commande d'accélérateur règle le régime du moteur et la vitesse des lames si celles-ci sont engagées. La commande d'accélérateur a deux positions finales : régime de ralenti et plein régime.



- Le régime de ralenti (A) diminue le régime du moteur.
- Le plein régime (B) augmente le régime du moteur.



MISE EN GARDE : Ne pas faire tourner le moteur au régime de ralenti (B) pendant plus longtemps que nécessaire. Un temps de fonctionnement trop long au régime de ralenti peut réduire la durée de vie des bougies d'allumage.

Fusibles

Les fusibles se trouvent dans la boîte à fusibles. La boîte à fusibles se trouve sous le siège. Retirer le couvercle du compartiment de batterie pour accéder à la boîte à fusibles. Se reporter à l'autocollant sur la boîte à fusibles pour l'identification des différents fusibles.

Compteur horaire

Le compteur horaire du produit indique le nombre d'heures de fonctionnement du moteur. Le compteur horaire est sélectionné à l'écran du panneau de commande.

Pour lire le compteur horaire

1. Appuyer sur le bouton OK du panneau de commande pour ouvrir la structure du menu.
2. Appuyer sur le bouton vers le bas du panneau de commande jusqu'à ce que le symbole d'information soit sélectionné.
3. Appuyer sur la touche OK. L'écran indique le nombre d'heures de fonctionnement du moteur.
4. Pour retourner au menu, appuyer deux fois sur le bouton vers le bas, puis appuyer sur le bouton OK.

Symboles figurant sur le produit



AVERTISSEMENT : Ce produit peut être dangereux et causer des blessures très graves, ou même mortelles, à l'opérateur et à d'autres personnes. Faire attention et utiliser le produit correctement.



Lire attentivement le manuel de l'opérateur et veiller à bien comprendre les directives avant d'utiliser l'appareil.



Arrêter le moteur et retirer la clé avant d'effectuer l'entretien du produit.



Garder une distance sécuritaire du produit.



Ne pas utiliser le produit sur des pentes de plus de 10°.



Ne pas stationner le produit dans une pente.



Ne pas transporter de passagers.



Faire attention aux objets projetés et aux ricochets.



Garder les mains et les pieds éloignés de l'unité de coupe.



Tenir les mains à l'écart des pièces en rotation.



Faire attention aux personnes et aux animaux lors de l'utilisation du produit en marche avant.



Faire attention aux personnes et aux animaux lors de l'utilisation du produit en marche arrière.



Ne pas s'asseoir sur le porte-accessoires.



Ne pas mettre le pied ici.



Leviers de commande sortis.



Frein de stationnement.



Levage de l'unité de coupe.



Régime du moteur – rapide.



Régime du moteur – lent.



Neutre.



Marche arrière.



Carburant.



Ne pas utiliser le produit sans déflecteur ou collecteur d'herbe.



Hauteur de coupe basse.



Hauteur de coupe élevée.



Avertissement! L'acide de la batterie est corrosif, explosif et inflammable.



Garder les parties du corps à l'écart des pièces en rotation.

yyyywwxxxx

La plaque signalétique indique le numéro de série où **yyyy** représente l'année de production et **ww** la semaine de production.

Remarque : Les autres symboles et autocollants apposés sur le produit se rapportent aux exigences en matière de certification pour certaines zones commerciales.

Symboles sur l'écran et le panneau de commande

Pour de plus amples renseignements sur les symboles de mise en garde, se reporter à *Messages de mise en garde à l'écran à la page 104.*



Démarrer/arrêter le moteur.



Le commutateur est déverrouillé.



Le commutateur est verrouillé.



Phares allumés.



Frein de stationnement serré.



Témoin de prise de force. L'entraînement des lames est engagé.



Entretien.



Bluetooth®.



Niveau de carburant.



Vitesse de rotation du moteur.



Temps écoulé pour la session en cours.



Batterie.



Température ambiante.



Information.



Compteur horaire



Réinitialiser les heures restantes avant l'entretien.



Annuler la réinitialisation des heures restantes avant l'entretien.



Confirmer la réinitialisation des heures restantes avant l'entretien.



Retourner au menu précédent.

Responsabilité concernant le produit

Comme indiqué dans les lois en vigueur sur la responsabilité concernant les produits, nous ne serons pas tenus responsables des dommages que notre produit causerait dans les situations suivantes :

- Le produit n'est pas réparé de façon adéquate.
- Le produit est réparé avec des pièces qui ne sont pas fournies ou homologuées par le fabricant.
- Le produit comprend un accessoire qui n'est pas fourni ou homologué par le fabricant.
- Le produit n'est pas réparé par un centre de service après-vente agréé ou par une autorité homologuée.

Sécurité

Définitions relatives à la sécurité

Les avertissements, recommandations et remarques soulignent des points du manuel qui revêtent une importance particulière.



AVERTISSEMENT : Indique la présence d'un risque de blessure ou de décès de l'utilisateur ou de personnes à proximité si les instructions du manuel ne sont pas suivies.



MISE EN GARDE : Indique la présence d'un risque de dommages au produit, à d'autres appareils ou à la zone adjacente si les instructions du manuel ne sont pas suivies.

Remarque : Utilisé pour donner des renseignements plus détaillés qui sont nécessaires dans une situation donnée.

Consignes générales de sécurité



AVERTISSEMENT : Lire les consignes d'avertissement qui suivent avant d'utiliser le produit.



AVERTISSEMENT : Ce produit peut amputer les mains et les pieds et projeter des objets. Le non-respect des consignes de sécurité suivantes peut entraîner des blessures graves ou mortelles.

- Lire, comprendre et suivre les directives et les avertissements du présent document, du manuel de l'opérateur et ceux apposés au produit, au moteur et aux accessoires.
- Ne laisser que des opérateurs responsables, formés, qui connaissent les directives et qui sont physiquement aptes à utiliser le produit.
- Ne pas transporter des passagers et tenir toute personne à distance.
- Ne pas manœuvrer le produit sous l'influence de l'alcool ou de drogues.
- Respecter les recommandations du fabricant en ce qui touche le poids des roues ou les contrepoids.
- Il faut apprendre à utiliser le produit et ses commandes en toute sécurité et apprendre comment arrêter rapidement le produit.
- Apprendre à reconnaître les autocollants de sécurité.
- Garder le produit propre pour s'assurer de pouvoir lire clairement les signes et les autocollants.

- Garder en tête que l'opérateur est tenu responsable des accidents qui impliquent d'autres personnes, ou leurs biens.
- Utiliser le produit quand il fait jour ou sous un éclairage suffisant. Garder le produit à une bonne distance des trous ou autres irrégularités dans le sol. Faire attention aux autres risques possibles.
- Ne pas laisser des enfants ou d'autres personnes non autorisés à faire fonctionner le produit, utiliser ou entretenir celui-ci. La réglementation locale peut fixer l'âge de l'utilisateur.
- Veiller à ce que personne ne se trouve à proximité du produit lors du démarrage du moteur, de l'engagement de l'embrayage ou du début de déplacement du produit.
- Garder un œil sur la circulation lors de la tonte à proximité d'une route ou du déplacement sur une route.
- Ne pas utiliser le produit sous l'effet de la fatigue, sous l'influence de l'alcool, de drogues, de médicaments ou de toute substance qui pourrait affecter la vision, l'attention, la coordination des gestes ou le jugement.
- Toujours garer le produit sur une surface plane avec le moteur arrêté.

Consignes de sécurité relatives aux enfants



AVERTISSEMENT : Lire les messages d'avertissement qui suivent avant d'utiliser l'appareil.

- Des accidents tragiques peuvent se produire si l'utilisateur n'est pas alerte à la présence d'enfants. Les enfants sont souvent attirés par le produit et la tonte de la pelouse. Ne jamais supposer que les enfants restent à l'endroit où ils se trouvaient lorsque vous les avez vus précédemment.
- Tenir les enfants éloignés de la zone de travail et sous la supervision d'un adulte responsable, autre que l'opérateur.
- Ne jamais transporter d'enfants même lorsque les lames sont immobilisées. Ils pourraient tomber et se blesser gravement ou interférer avec l'utilisation sécuritaire du produit. Les enfants qui, par le passé, sont montés sur la machine pourraient apparaître soudainement pour faire un autre tour et être renversés ou écrasés par la machine.

Consignes de sécurité pour l'utilisation



AVERTISSEMENT : Lire les messages d'avertissement qui suivent avant d'utiliser l'appareil.



AVERTISSEMENT : Ne pas toucher le moteur ou le système d'échappement pendant ou directement après l'utilisation. Le moteur et le système d'échappement deviennent très chauds pendant la conduite. Risque de brûlures, d'incendie et de dommages matériels ou de dommages aux zones adjacentes. Lors de l'utilisation du produit, s'éloigner des buissons et d'autres objets.

- Mettre en marche le moteur seulement dans des zones bien ventilées. Les gaz d'échappement contiennent du monoxyde de carbone, un poison mortel.
- N'utiliser le produit qu'à la lumière du jour ou avec un bon éclairage d'appoint.
- Éviter les trous, les sillons, les bosses, les pierres ou d'autres dangers non évidents. Un terrain irrégulier peut causer le retournement du produit ou une perte d'équilibre ou d'appui de l'opérateur.
- Ne jamais placer les mains ou les pieds près des pièces en mouvement ou sous le produit. Toujours se tenir à l'écart de l'ouverture d'éjection.
- Ne pas éjecter de matériaux en direction d'une personne. Éviter de projeter tout matériau contre un mur ou tout obstacle. Les matériaux peuvent ricocher et revenir vers l'opérateur. Arrêter les lames au moment de circuler sur des surfaces de gravier.
- Ne pas laisser un produit en marche sans surveillance. Toujours stationner sur une surface plane, désengager les accessoires, engager le frein de stationnement et arrêter le moteur.
- Ne pas tondre en marche arrière à moins que ce ne soit absolument nécessaire. Regarder toujours au sol et en arrière avant et pendant qu'on recule.
- Réduire la vitesse avant de tourner autour d'un coin.

Bluetooth®



MISE EN GARDE : Les modifications ou les changements apportés à cet équipement non expressément approuvés par Husqvarna peuvent annuler l'autorisation de la FCC d'utiliser cet équipement.

Nom de marketing du produit : Voltron20x

Avis : Cet appareil est conforme à l'article 15 de la réglementation FCC et à la norme RSS d'Innovation, Sciences et Développement économique Canada pour les appareils exempts de licence. Son utilisation est soumise aux deux conditions suivantes :

- Cet appareil ne doit pas causer d'interférences nuisibles.
- Cet appareil doit accepter toute autre interférence, y compris les interférences pouvant causer un fonctionnement non désiré.

Remarque : Cet équipement a été testé et trouvé conforme aux limites d'un appareil de classe B, conformément à l'article 15 des règlements de la FCC. Ces limites sont conçues pour fournir une protection raisonnable contre les interférences nuisibles dans une installation résidentielle. Cet équipement produit, utilise et peut émettre des fréquences radio et, s'il n'est pas installé et utilisé conformément aux instructions, il peut provoquer des interférences nuisibles aux communications radio. Cependant, il n'y a aucune garantie que des interférences ne pourront pas se produire dans une installation particulière. Si cet équipement engendre des interférences nuisibles pour la réception radio ou télévisuelle, ce qui peut être déterminé en éteignant l'équipement, l'utilisateur est encouragé à essayer de corriger l'interférence en prenant une ou plusieurs des mesures suivantes :

- Réorienter ou déplacer l'antenne réceptrice.
- Augmenter la distance entre l'équipement et le récepteur.
- Raccorder l'équipement à une prise située sur un circuit différent de celui sur lequel le récepteur est raccordé.
- Communiquer avec le concessionnaire ou un technicien radio/TV expérimenté pour obtenir de l'aide.

Ce produit est conforme aux spécifications techniques en vigueur d'Innovation, Sciences et Développement économique Canada.

Afin de satisfaire aux exigences de la FCC et ISEC RF en matière de limite d'exposition et d'exposition incontrôlée aux radiofréquences pour la population générale, les antennes utilisées pour cet émetteur doivent être installées à une distance d'au moins 5 mm de toute personne, et ne doivent pas se trouver ou être utilisées à proximité ou en association avec d'autres antennes ou émetteurs.

Le présent produit est conforme aux spécifications techniques en vigueur d'Innovation, Sciences et Développement économique Canada.

Le présent appareil est conforme aux CNR d'Innovation, Sciences et Développement économique Canada en vigueur aux appareils radio exempts de licence. L'exploitation est autorisée aux deux conditions suivantes :

- l'appareil ne doit pas produire de brouillage, et
- l'appareil doit accepter tout brouillage radioélectrique subi, même si le brouillage est susceptible d'en compromettre le fonctionnement.

Déclaration de conformité des fournisseurs pour HusqvarnaXcite™ Z350, Xcite™ Z380

Partie responsable

Husqvarna Consumer Outdoor Products N.A., Inc.
8825 Statesville Road,
Charlotte, NC 28269

Consignes de sécurité relatives au travail sur les terrains en pente



AVERTISSEMENT : Lire les messages d'avertissement qui suivent avant d'utiliser le produit.

Les pentes sont un facteur majeur lié aux accidents. L'utilisation dans les pentes nécessite la plus grande prudence.

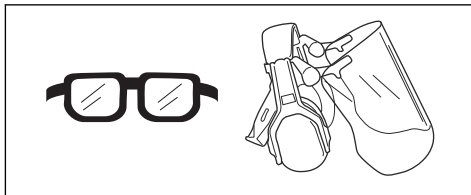
- Se déplacer dans la direction recommandée par le fabricant sur les pentes. Faire preuve de prudence lors de l'utilisation à proximité de ravins.
- Éviter de tondre de l'herbe mouillée. Les pneus peuvent perdre de l'adhérence.
- Ne pas utiliser le produit dans une condition quelconque où la traction, la direction ou la stabilité est mise en question. Les pneus peuvent patiner même si les roues sont immobiles.
- Garder toujours le produit embrayé en descendant des pentes. Ne pas descendre une pente en roue libre.
- Éviter de démarrer et d'arrêter sur une pente. Éviter les changements brusques de vitesse ou de direction. Tourner lentement et progressivement.
- Observer la plus grande prudence en utilisant le produit avec un collecteur d'herbe ou tout autre accessoire. Ceux-ci peuvent affecter la stabilité du produit.
- Couper l'herbe sur des terrains en pente accroît le risque de perte de contrôle du produit et de son basculement. Cela peut provoquer des blessures, voire la mort. Sur tous les terrains en pente, il est nécessaire de couper l'herbe avec précaution. S'il n'est pas possible de monter une pente à reculons, ou en cas d'appréhension, ne pas effectuer de coupe.
- Retirer les pierres, les branches et d'autres obstacles.
- Couper l'herbe vers le haut et vers le bas d'une pente, et non d'un côté à l'autre.
- Ne pas utiliser le produit sur un sol dont la pente est supérieure à 10°.
- Déplacer le produit lentement et sans à-coups sur des terrains en pente.
- Faire attention aux sillons, aux trous ou aux bosses et ne pas se déplacer sur ces objets. Il y a un risque élevé que le produit bascule sur un sol qui n'est pas plat. L'herbe longue peut dissimuler des obstacles.
- Ne pas couper de l'herbe à proximité des bordures, des fossés ou des talus. Le produit peut basculer soudainement si une roue passe à travers la bordure d'une pente raide ou d'un fossé, ou si une bordure cède.

Équipement de protection personnelle

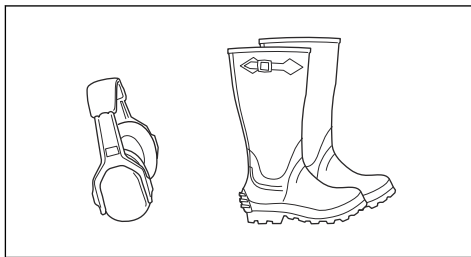


AVERTISSEMENT : Lire les messages d'avertissement qui suivent avant d'utiliser le produit.

- Utiliser un équipement de protection personnelle homologué lors de l'utilisation du produit. Cet équipement de protection personnelle n'élimine pas complètement les risques de blessures, mais il peut en réduire la gravité en cas d'accident. Laisser le concessionnaire aider à sélectionner l'équipement adéquat.
- Utiliser un dispositif de protection homologué pour les yeux. Porter également des lunettes de protection homologuées en cas d'utilisation d'une visière. Les lunettes de protection homologuées doivent être conformes à la norme ANSI Z87.1 aux États-Unis ou à la norme EN 166 dans les pays de l'Union européenne.



- Toujours porter des protecteurs d'oreille homologués. L'exposition prolongée au bruit peut causer des lésions auditives permanentes.
- Porter toujours des chaussures ou des bottes de protection. Des embouts en acier sont recommandés. Ne pas utiliser le produit pieds nus.



- Porter des gants au besoin, par exemple lors de la fixation, de l'examen ou du nettoyage de l'équipement de coupe.
- Ne pas porter un habillement confortable, des bijoux ou d'autres objets pouvant se prendre dans les pièces en mouvement.
- Garder une trousse de premiers soins et un extincteur à portée de main.

Dispositifs de sécurité sur le produit



AVERTISSEMENT : Lire les messages d'avertissement qui suivent avant d'utiliser le produit.

- Ne pas utiliser le produit si les dispositifs de sécurité sont endommagés ou s'ils ne fonctionnent pas correctement. Vérifier régulièrement les dispositifs de sécurité. Si les dispositifs de sécurité sont endommagés, communiquer avec son atelier spécialisé Husqvarna.
- Ne pas modifier les dispositifs de sécurité. Ne pas utiliser le produit si les plaques et les couvercles de protection, les interrupteurs de sécurité ou d'autres dispositifs de protection ne sont pas fixés ou sont défectueux.

Commutateur avec clé

Le commutateur se trouve sur le panneau de commande. Pour que le moteur démarre, la clé doit se trouver dans le commutateur et le commutateur doit être à la position déverrouillée.

Vérification du commutateur et de la clé

- Démarrer et arrêter le moteur. Se reporter à *Démarrage du moteur à la page 91* et *Pour couper le moteur à la page 93*.
- Si le commutateur et la clé fonctionnent correctement, le moteur ne peut démarrer que si le commutateur est à la position déverrouillée.

Porte-accessoires

Le porte-accessoires est utilisé pour le rangement et le transport. La limite de poids est de 30 lb (13,6 kg).

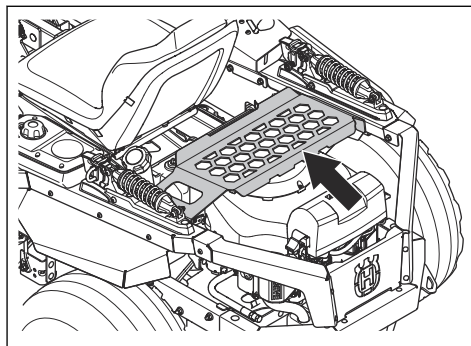


MISE EN GARDE :

- Pour le transport de liquides, utiliser des contenants correctement scellés et non endommagés pour prévenir les déversements sur le moteur.
- Fixer les articles au porte-accessoires à l'aide de courroies.



AVERTISSEMENT : Ne pas utiliser le porte-accessoires comme siège.



Bouton ON/OFF (démarrage/arrêt) du moteur

Le produit est doté de deux boutons ON/OFF (démarrage/arrêt) du moteur : l'un sur le panneau de commande et l'autre sur le levier de commande gauche.

Vérification des boutons ON/OFF (démarrage/arrêt) du moteur

1. Démarrer le moteur. Se reporter à *Démarrage du moteur à la page 91*.
2. Maintenir le bouton ON/OFF (démarrage/arrêt) du moteur enfoncé sur le panneau de commande pendant 1 à 2 secondes et s'assurer que le moteur s'arrête.
3. Démarrer de nouveau le moteur.
4. Maintenir le bouton ON/OFF (démarrage/arrêt) du moteur enfoncé sur le levier de commande gauche pendant 1 à 2 secondes et s'assurer que le moteur s'arrête.

Conditions de fonctionnement

Les conditions suivantes sont nécessaires pour démarrer le moteur :

- Les leviers de commande sont à la position de stationnement.
- Le frein de stationnement est serré.
- L'entraînement des lames est désengagé.

Le moteur doit s'arrêter dans les situations suivantes :

- Le frein de stationnement est desserré et l'opérateur se lève de son siège.
- L'entraînement des lames est engagé et l'opérateur se lève de son siège.

Tenter de démarrer le moteur après avoir supprimé l'une des conditions ci-dessus. Passer à une autre condition et essayer de nouveau. Procéder à cette vérification tous les jours.

Frein de stationnement



AVERTISSEMENT : Si le frein de stationnement ne fonctionne pas, le produit peut commencer à se déplacer et provoquer des blessures ou des dommages. S'assurer que le frein de stationnement est régulièrement examiné et réglé.

Se reporter à *Pour vérifier le frein de stationnement à la page 96.*

Silencieux



AVERTISSEMENT : Ne pas utiliser le produit si le silencieux est manquant ou endommagé. Un silencieux endommagé ou manquant peut faire augmenter le niveau sonore et le risque d'incendie.

Le silencieux maintient le niveau de bruit au minimum et dirige les gaz d'échappement loin de l'utilisateur.

Examiner régulièrement le silencieux pour s'assurer qu'il est correctement raccordé et en bon état.



AVERTISSEMENT : Le silencieux devient très chaud pendant et après utilisation et lorsque le moteur tourne au ralenti. Faire attention à proximité des matériaux inflammables ou des fumées afin d'éviter tout risque d'incendie.

Pour vérifier le silencieux

- Examiner régulièrement le silencieux pour s'assurer qu'il est correctement raccordé et en bon état.

Pare-étincelles

Ce produit est équipé d'un moteur à combustion interne. Ne pas utiliser le produit à proximité de la végétation sans un pare-étincelles approuvé par les lois locales, nationales ou étatiques. Les lois fédérales s'appliquent sur les territoires fédéraux.

Un pare-étincelles pour le silencieux est disponible chez votre concessionnaire autorisé Husqvarna.

Couvercles de protection

Les couvercles de protection manquants ou endommagés augmentent le risque de blessures sur des pièces en mouvement et des surfaces chaudes. Vérifier des couvercles de protection avant d'utiliser le produit. S'assurer que les couvercles de protection sont correctement fixés et ne présentent pas de fissures ni d'autres dommages. Remplacer les couvercles endommagés.

Sécurité – carburant



AVERTISSEMENT : Lire les messages d'avertissement qui suivent avant d'utiliser l'appareil.



AVERTISSEMENT : Faire preuve de prudence lors de la manipulation du carburant. Il est très inflammable et peut provoquer des blessures et des dommages matériels.

- Éteindre cigarettes, cigares, pipes et autres sources d'allumage.
- N'utiliser que des récipients de carburant approuvés.
- Ne pas retirer le bouchon du réservoir ni ajouter de l'essence lorsque le moteur est en marche ou qu'il est chaud.
- Ne pas faire le plein à l'intérieur ou dans des endroits mal ventilés.
- Ne pas entreposer le produit ou le bidon d'essence ou encore faire le plein à proximité d'une flamme nue, d'étincelles, d'une veilleuse comme on en trouve dans un chauffe-eau ou dans tout autre appareil similaire.
- En cas de déversement de carburant, ne pas essayer de faire démarrer le moteur et éviter ainsi toute source d'ignition jusqu'à la disparition des vapeurs de carburant.
- Pour éviter les incendies : débarrasser le produit de l'herbe, des feuilles ou de tout autre débris, nettoyer les déversements d'huile ou de carburant et retirer les débris imbibés de carburant; laisser le produit refroidir avant de le remiser.
- Être particulièrement prudent lors de la manipulation d'essence ou de tout autre carburant. Ils sont inflammables et leurs vapeurs peuvent être la cause d'explosion.
- L'essence et les vapeurs d'essence sont toxiques et très inflammables. Faire attention à l'essence pour éviter les blessures ou l'incendie.
- Laisser le moteur refroidir avant de faire l'appoint.
- Ne pas faire l'appoint de carburant à proximité d'étincelles ou de flammes nues.
- S'il y a des fuites dans le système de carburant, ne pas démarrer le moteur jusqu'à ce que les fuites soient réparées.
- Ne pas remplir au-delà du niveau de carburant recommandé. La chaleur du moteur et du soleil dilate le carburant et celui-ci déborde en cas de remplissage excessif du réservoir.
- Ranger le produit et le carburant de sorte qu'il n'y ait aucun risque de fuite de carburant, car des vapeurs peuvent causer des dommages.

Sécurité de transport

- Ne pas remorquer ce produit.

- Utiliser un véhicule de transport approuvé pour le transport du produit.
- Les réglementations nationales ou locales peuvent définir des limites pour le transport du produit.
- Le conducteur du véhicule de transport est responsable de l'immobilisation du produit en toute sécurité pendant le transport. Se reporter à *Transport à la page 105*.
- Le frein de stationnement est serré.
- La clé de contact en position d'arrêt et retirée.
- Lames désengagées.
- Toutes les pièces en mouvement se sont arrêtées.
- Les câbles d'allumage sont retirés des bougies d'allumage.

Transport

- Utiliser des rampes pleine largeur pour charger ou décharger le produit à des fins de transport.

Sécurité en matière de batteries



AVERTISSEMENT : Une batterie endommagée peut engendrer une explosion et des blessures. Si la batterie est détériorée ou endommagée, communiquer avec un agent d'entretien Husqvarna agréé.



AVERTISSEMENT : Lire les messages d'avertissement qui suivent avant d'utiliser le produit.

- Utiliser des lunettes de protection en cas de présence à proximité des batteries.
- Ne pas porter des montres, des bijoux ou d'autres objets métalliques à côté de la batterie.
- Entreposer la batterie hors de portée des enfants.
- Charger la batterie dans un endroit avec une bonne ventilation.
- Conserver les matériaux inflammables à une distance minimale d'un mètre lors du chargement de la batterie.
- Mettre au rebut les batteries remplacées. Voir *Mise au rebut à la page 106*.
- Les gaz explosifs peuvent provenir de la batterie. Ne pas fumer à proximité de la batterie. Maintenir la batterie à l'écart de flammes nues et d'étincelles.

Consignes de sécurité pour l'entretien



AVERTISSEMENT : Lire les messages d'avertissement qui suivent avant d'utiliser l'appareil.



AVERTISSEMENT : La machine est lourde et peut engendrer des blessures ou endommager des biens ou la zone dans laquelle elle se trouve. Ne pas procéder à l'entretien sur le moteur ou l'unité de coupe sans que les conditions suivantes soient vérifiées :

- Le moteur est coupé.
- La machine est stationnée sur une surface plane.



AVERTISSEMENT : Le liquide qui s'échappe sous pression peut avoir une force suffisante pour pénétrer la peau et provoquer des blessures très graves. Si du liquide est injecté sous la peau, consulter immédiatement un médecin. Garder le corps et les mains à l'écart des trous de goupilles et des gicleurs qui projettent du fluide sous haute pression. En cas de fuite, faire réparer immédiatement le produit par un technicien qualifié.



AVERTISSEMENT : Les gaz d'échappement du moteur contiennent du monoxyde de carbone, un gaz inodore, toxique et très dangereux. Ne pas faire fonctionner le produit dans un espace clos ou dans des espaces qui n'ont pas une circulation d'air suffisante.

- Entreposer le produit en bon état d'utilisation. Remplacer les pièces usées ou abîmées.
- Faire preuve de prudence lors de l'entretien des lames. Envelopper les lames ou porter des gants. Remplacer les lames endommagées. Ne pas réparer ou modifier les lames.
- Selon l'équipement, débrancher le câble de la bougie d'allumage et le câble négatif de la batterie avant d'effectuer toute réparation.
- Pour obtenir le meilleur rendement et la sécurité optimale, procéder à l'entretien régulier de la machine comme indiqué dans le calendrier d'entretien. Se reporter à *Calendrier d'entretien à la page 93*.
- Des décharges électriques peuvent causer des blessures. Ne pas toucher les câbles lorsque le moteur tourne. Ne pas effectuer un test de fonctionnement du système d'allumage avec vos doigts.
- Laisser le produit se refroidir avant de procéder à l'entretien près du moteur.
- Les lames sont très tranchantes et peuvent provoquer des coupures. Disposer d'une protection contre le vent autour des lames ou porter des gants de protection en cas d'intervention sur les lames.
- Ne pas retourner le moteur si la bougie d'allumage ou le câble d'allumage a été enlevé.

- S'assurer que tous les écrous et boulons sont correctement serrés et que l'équipement est en bon état.
- Ne pas changer le réglage des régulateurs. Si le régime du moteur est trop élevé, les composants

du produit peuvent s'endommager. Se reporter à *Données techniques à la page 107* pour connaître le régime moteur maximal autorisé.

- Le produit n'est approuvé que s'il est équipé de l'équipement fourni ou recommandé par le fabricant.

Fonctionnement

Introduction



AVERTISSEMENT : Avant d'utiliser le produit, lire et bien comprendre le chapitre sur la sécurité.

Husqvarna Connect

Husqvarna Connect est une application gratuite pour votre appareil mobile. L'application Husqvarna Connect offre des renseignements détaillés sur votre produit Husqvarna.

- Renseignements détaillés sur le produit.
- Renseignements et aide au sujet des pièces de rechange et de l'entretien du produit.

Bluetooth® technologie sans fil

Les produits Bluetooth® dotés de la technologie sans fil intégrée peuvent se connecter à des appareils mobiles et permettre des fonctions supplémentaires depuis la connexion Husqvarna.

Le symbole de la technologie sans fil *Bluetooth®* s'allume lorsque votre appareil mobile est connecté au produit.



Pour commencer à utiliser Husqvarna Connect

1. Télécharger l'application Husqvarna Connect sur votre appareil mobile.
2. Ajouter à l'application Husqvarna Connect.
3. Suivre les étapes décrites dans l'application Husqvarna Connect pour connecter et ajouter le produit.

Remarque : L'application Husqvarna Connect n'est pas disponible au téléchargement sur tous les marchés. Pour obtenir de plus amples renseignements, communiquer avec votre centre de services.

Utilisation du produit pour la première fois



AVERTISSEMENT : Avant d'utiliser le produit pour la première fois, lire et bien comprendre le présent chapitre.

- Utiliser une vitesse d'accélération réduite et une vitesse au sol réduite lorsque le produit est utilisé pour la première fois.
- Ne pas déplacer les leviers de commande complètement vers l'avant ou complètement vers l'arrière lors de la première utilisation.
- Apprendre à diriger le produit sur une surface dure, p. ex., du béton ou de l'asphalte, avant d'utiliser le produit sur une pelouse pour la première fois.

Avant d'utiliser le produit



AVERTISSEMENT : Avant d'utiliser le produit, lire et bien comprendre le chapitre sur la sécurité.



AVERTISSEMENT : Avant d'utiliser le produit, s'assurer qu'il n'y a pas de pierres ou d'autres objets dans la zone de travail qui pourraient être projetés par les lames en rotation.

- Effectuer l'entretien quotidien. Se reporter à *Calendrier d'entretien à la page 93*.
- S'assurer qu'il y a assez de carburant dans le réservoir de carburant.
- Régler la hauteur de coupe. Se reporter à *Réglage de la hauteur de coupe à la page 91*.

Faire le plein



AVERTISSEMENT : L'essence est très inflammable. Être prudent et faire l'appoint de carburant à l'extérieur (se reporter à *Sécurité – carburant à la page 86*).



AVERTISSEMENT : Le moteur et le système d'échappement deviennent très chauds pendant la conduite. Risque de brûlures. Laisser le moteur et le système

d'échappement refroidir avant de remplir le réservoir de carburant.



AVERTISSEMENT : Ne pas utiliser le réservoir de carburant comme support.



MISE EN GARDE : Un type de carburant inapproprié peut endommager le moteur.

Le moteur fonctionne avec de l'essence dont l'indice d'octane minimal est de 90 RON (87 AKI), non mélangé avec de l'huile. Nous recommandons de l'alkylat biodégradable.

- Vérifier le niveau de carburant avant chaque utilisation et faire l'appoint de carburant au besoin.
- Ne jamais remplir le réservoir de carburant complètement. Remplir jusqu'au fond du goulot de remplissage du réservoir de carburant.

Niveau de carburant

Le niveau de carburant s'affiche à l'écran.

Symbole	Description de la pièce
	Le témoin gauche clignote. Le carburant restant est de 0 à 10 %.
	Le témoin gauche est allumé. Le carburant restant est de 11 à 25 %.
	Deux témoins sont allumés. Le carburant restant est de 26 à 50 %.
	Trois témoins sont allumés. Le carburant restant est de 51 à 75 %.
	Les quatre témoins sont allumés. Le carburant restant est de 76 à 100 %.

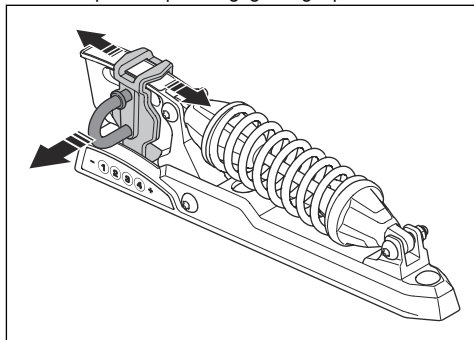
Réglage du siège

Le siège peut être déplacé vers l'avant ou vers l'arrière et la suspension du siège peut être réglée. La suspension du côté gauche et du côté droit du siège est réglée indépendamment.

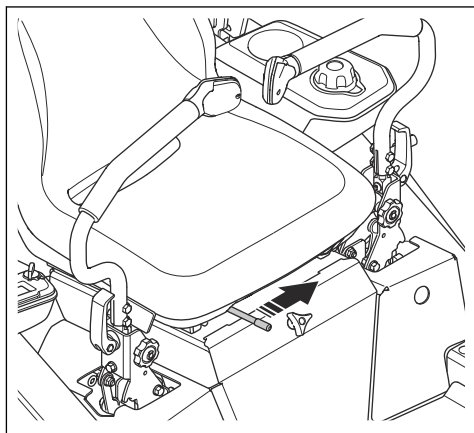


AVERTISSEMENT : Ne pas régler le siège lorsque le produit est en fonctionnement.

- Pour régler la suspension, procéder comme suit :
 - a) Tirer sur la poignée du dispositif de réglage de la suspension pour dégager la goupille.



- b) Déplacer la poignée dans la direction « - » pour une suspension plus souple.
 - c) Déplacer la poignée dans la direction « + » pour une suspension plus ferme.
 - d) Procéder de la même façon sur le dispositif de réglage de la suspension de l'autre côté.
- Pour régler la position du siège, pousser de côté le levier (B) situé sous le siège et pousser le siège vers l'avant ou l'arrière.

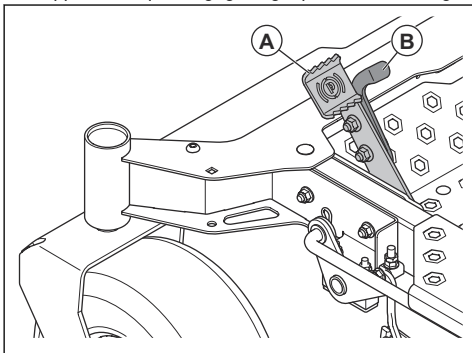


Engagement et désengagement du frein de stationnement



MISE EN GARDE : Le produit doit être immobile au moment d'engager le frein de stationnement.

- Pour serrer le frein de stationnement, pousser la grande pédale (A) vers l'avant jusqu'à ce que le support du loquet engage la goupille de verrouillage.



- Pour désengager le frein de stationnement, appuyer sur la petite pédale (B) du support du loquet et laisser la grande pédale (A) et la petite pédale (B) reculer lentement.

Engagement et désengagement du système d'entraînement



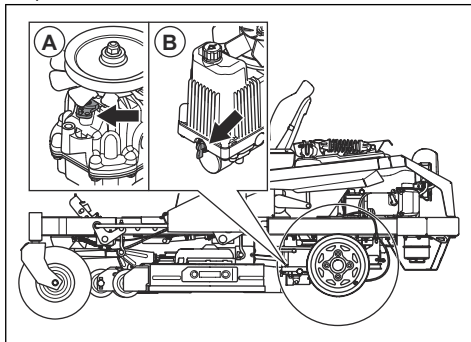
MISE EN GARDE : Ne désengager ou n'engager le système d'entraînement que lorsque le produit est stationné sur un sol plat.

S'il est nécessaire de déplacer le produit manuellement lorsque le moteur est arrêté, le système d'entraînement doit être désengagé. Le système d'entraînement est désengagé et engagé par les soupapes de dérivation. Les soupapes de dérivation sont situées à l'avant de chaque transmission.

Suivre la procédure ci-dessous pour désengager le système d'entraînement.

1. Stationner le produit sur un sol plat et arrêter le moteur. Ne pas serrer le frein de stationnement.
2. Abaisser l'unité de coupe à la position la plus basse.

3. Déplacer les leviers de dérivation de chaque côté du produit.



- a) Pour Xcite™ Z350 : Pousser les deux leviers de dérivation (A) vers l'arrière.
 - b) Pour Xcite™ Z380 : Tourner les deux leviers de dérivation (B) à la position horizontale.
4. Pousser le produit à la main.



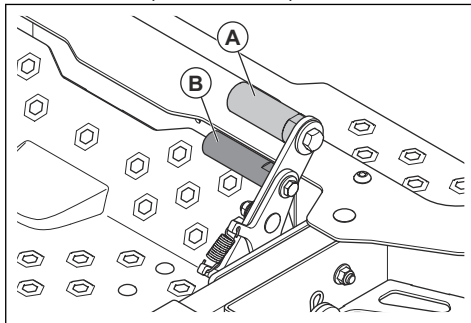
MISE EN GARDE : Ne pas pousser les leviers de commande.

5. Pour engager le mécanisme d'entraînement sur Xcite™ Z350, pousser les leviers de dérivation (A) vers l'avant.
6. Pour engager le mécanisme d'entraînement sur Xcite™ Z380, tourner les leviers de dérivation (B) à la position verticale.

Réglage de l'unité de coupe en position de transport ou de tonte

L'unité de coupe doit être en position de transport pendant le transport.

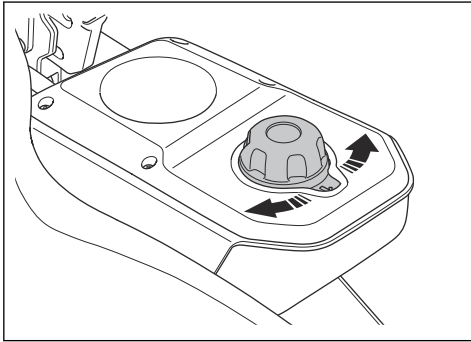
- Pour mettre le produit à la position de transport, pousser la pédale de levage de l'unité de coupe (A) vers l'avant jusqu'à ce que l'unité de coupe se verrouille à la position de transport.



- Pour mettre le produit à la position de tonte, appuyer sur la pédale de l'unité de coupe (B).

Réglage de la hauteur de coupe

1. Régler l'unité de coupe à la position de transport. Se reporter à *Réglage de l'unité de coupe en position de transport ou de tonte à la page 90*.
2. Tourner le bouton de réglage de la hauteur de coupe.



- a) Tourner dans le sens des aiguilles d'une montre pour augmenter la hauteur de coupe.
 - b) Tourner dans le sens antihoraire pour diminuer la hauteur de coupe.
3. Abaisser l'unité de coupe à la position de tonte. Se reporter à *Réglage de l'unité de coupe en position de transport ou de tonte à la page 90*.

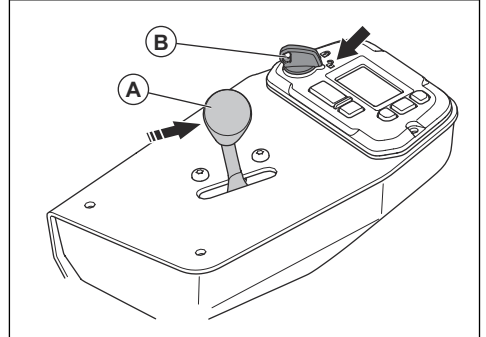
Réglage de la hauteur de coupe	Hauteur de coupe, po/cm
1	1,5/3,8
2	1,75/4,4
3	2,0/5,1
4	2,25/5,7
5	2,5/6,4
6	2,75/7,0
7	3,0/7,6
8	3,25/8,3
9	3,5/8,9
10	3,75/9,5
11	4,0/10,2
12	4,25/10,8

Démarrage du moteur

Il est nécessaire d'exécuter la procédure dans le bon ordre et dans les conditions appropriées pour démarrer le moteur. Si une condition de démarrage n'est pas respectée, un symbole correspondant s'affiche à l'écran.

Se reporter à *Messages de mise en garde à l'écran à la page 104*.

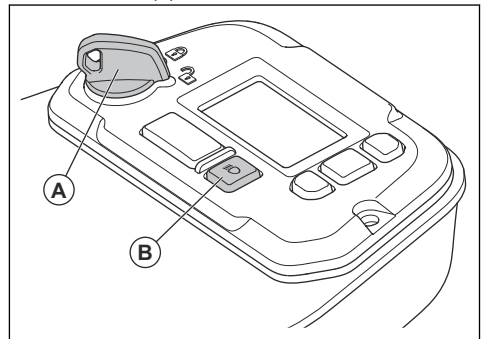
1. S'asseoir sur le siège. L'affichage s'allume.
2. Régler l'unité de coupe à la position de transport. Se reporter à *Réglage de l'unité de coupe en position de transport ou de tonte à la page 90*.
3. Engager le frein de stationnement. Se reporter à *Engagement et désengagement du frein de stationnement à la page 89*.
4. Déplacer la commande d'accélérateur (A) à la position mi-régime.



5. Insérer la clé (B) dans le commutateur.
6. Placer le commutateur à la position déverrouillée.
7. Mettre les leviers de commande à la position de stationnement.
8. Maintenir enfoncé le bouton ON/OFF (démarrage/arrêt) sur le panneau de commande ou sur le levier de commande gauche pendant 1 à 2 secondes pour démarrer le moteur.
9. Laisser le moteur tourner à mi-régime pendant 3 à 5 minutes avant d'appliquer le plein régime.
10. Pousser la commande d'accélérateur à la position plein régime.

Fonctionnement des phares

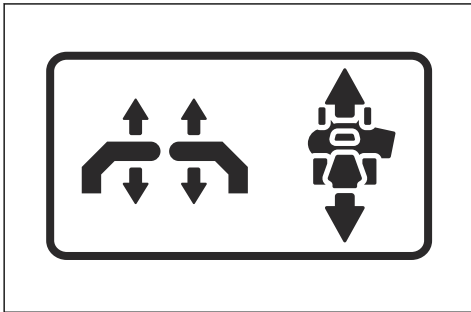
1. S'assurer que le commutateur se trouve à la position déverrouillée (A).



2. Appuyer sur le bouton des phares (B) et le maintenir enfoncé pendant 1 à 2 secondes. Les phares s'allument.
3. Appuyer de nouveau sur le bouton des phares (B) et le maintenir enfoncé pendant 1 à 2 secondes. Les phares s'éteignent.

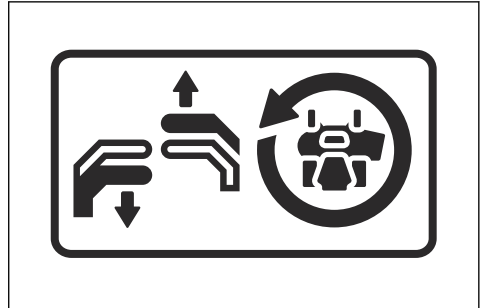
Utilisation du produit

1. Démarrer le moteur. Se reporter à *Démarrage du moteur à la page 91*.
2. Desserrer le frein de stationnement. Se reporter à *Engagement et désengagement du frein de stationnement à la page 89*.
3. Pousser délicatement les deux leviers de commande vers l'avant. Le produit va commencer à se déplacer vers l'avant. La vitesse de marche avant augmente à mesure que les deux leviers de commande sont poussés vers l'avant.

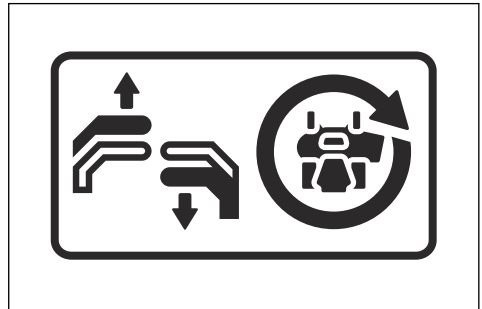


4. Tirer délicatement les deux leviers de commande vers l'arrière. Le produit va commencer à se déplacer vers l'arrière. La vitesse de marche arrière augmente à mesure que les deux leviers de commande sont tirés vers l'arrière.
5. Mettre les deux leviers de commande au point mort pour réduire la vitesse et arrêter le produit.
6. Effectuer les étapes suivantes pour tourner vers la gauche ou la droite pendant la marche avant.

- a) Tirer le levier de commande gauche vers l'arrière en direction du point mort pour faire tourner le produit vers la gauche. Plus le levier de commande gauche est tiré vers l'arrière, plus le produit tourne vers la gauche.



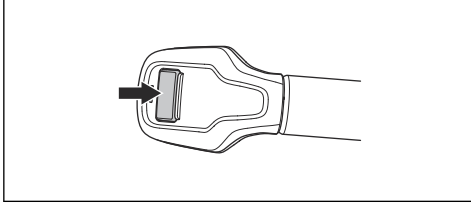
- b) Tirer le levier de commande droit vers l'arrière en direction du point mort pour faire tourner le produit vers la droite. Plus le levier de commande droit est tiré vers l'arrière, plus le produit tourne vers la droite.



7. Effectuer les étapes suivantes pour réaliser un braquage zéro.
 - a) Tirer les deux leviers de commande vers l'arrière en direction du point mort pour réduire la vitesse ou arrêter le produit.
 - b) Déplacer un levier de commande légèrement vers l'avant et l'autre levier de commande légèrement vers l'arrière pour effectuer un braquage zéro.
8. Abaisser l'unité de coupe à la position de tonte. Se reporter à *Réglage de l'unité de coupe en position de transport ou de tonte à la page 90*.
9. Appuyer sur le bouton de prise de force sur le levier de commande droit et le maintenir enfoncé pendant 1 à 2 secondes pour engager le mécanisme d'entraînement des lames.
10. S'il est nécessaire de régler la hauteur de coupe pendant le fonctionnement, se reporter à *Réglage de la hauteur de coupe à la page 91*.

Pour couper le moteur

1. Déplacer les deux leviers de commande à la position de stationnement pour immobiliser le produit.
2. Engager le frein de stationnement.
3. Appuyer sur le bouton de prise de force et le maintenir enfoncé pendant 1 à 2 secondes pour désengager le mécanisme d'entraînement des lames.

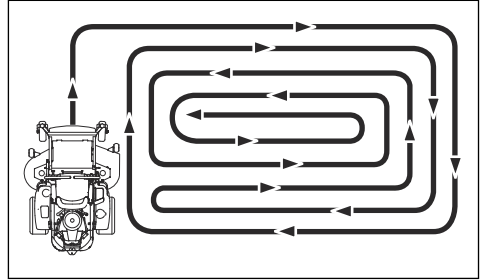


4. Régler l'unité de coupe à la position de transport.
5. Déplacer la commande d'accélérateur à la position de régime minimum.
6. Laisser le moteur tourner au ralenti pendant au moins une minute jusqu'à ce que le moteur soit à la température de fonctionnement habituelle.
7. Maintenir enfoncé le bouton ON/OFF (démarrage/arrêt) sur le panneau de commande ou sur le levier de commande gauche pendant 1 à 2 secondes pour arrêter le moteur.
8. Tourner le commutateur à la position verrouillée.
9. Retirer la clé du commutateur au moment de s'éloigner du produit.

Pour obtenir un bon résultat de coupe

- Pour obtenir le meilleur rendement, procéder à l'entretien régulier du produit comme indiqué dans le calendrier d'entretien. Se reporter à *Entretien à la page 93*.

- Ne pas couper une pelouse mouillée. L'herbe mouillée peut entraîner un mauvais résultat de coupe.
- Démarrer avec une hauteur de coupe élevée, puis réduire progressivement.
- Utiliser le plein régime lors de la coupe de l'herbe.
- Faire avancer le produit à vitesse lente si l'herbe est haute et épaisse.
- Couper l'herbe selon un parcours aléatoire.
- Lors de la coupe de grandes surfaces, déplacer le produit vers la droite pendant 1 à 2 tours autour de la surface de travail. Cette procédure permet d'éloigner l'herbe coupée déchargée des arbustes, des clôtures et des allées. Après avoir fait environ 2 tours de la zone de travail, couper dans la direction opposée.



- Lorsque l'ensemble de déchiquetage est utilisé, couper l'herbe plus fréquemment.
- Pour obtenir un résultat de coupe optimal, couper régulièrement l'herbe.

Entretien

Introduction



AVERTISSEMENT : Avant de procéder à l'entretien, lire et bien comprendre le chapitre sur la sécurité.

X = Les directives sont décrites dans ce manuel de l'opérateur.

O = Consulter le manuel du moteur pour obtenir les directives.

Calendrier d'entretien pour l'opérateur

Calendrier d'entretien

* = Les directives ne sont pas décrites dans ce manuel de l'opérateur.

Entretien	Entretien quotidien		Effectuer l'entretien au moins une fois par an	Intervalles d'entretien en heures		
	Avant	Après		25	100	500
Vérifier le frein de stationnement.	X		X	X	X	X

Entretien	Entretien quotidien		Effectuer l'entretien au moins une fois par an	Intervalles d'entretien en heures		
	Avant	Après		25	100	500
Vérifier le niveau d'huile moteur.	O					
Vérifier le système de sécurité.	X					
S'assurer qu'il n'y a pas de fuites de carburant ou d'huile du produit.	*					
S'assurer que le produit n'est pas endommagé.		*				
S'assurer qu'il n'y a pas de pièces desserrées.		*				
Vérifier la présence de dommages sur l'unité de coupe.		*				
Vérifier l'unité de coupe pour tout ajustement.			X			X
Vérifier la pression de gonflage des pneus.				X	X	X
Vérifier les branchements de la batterie.			X	X	X	X
Vérifier le câble d'accélération.					O	O
Vérifier les roues avant.			X		X	X
Vérifier le dégagement de la soupape du moteur. ²³			*			*
Nettoyer la prise d'air du moteur. ²⁴			O	O	O	O
Nettoyer le côté inférieur de l'unité de coupe.		X				
Nettoyer autour du moteur.		*				
Nettoyer autour des courroies et des poulies de courroie.		*			*	*
Vérifier les courroies et les poulies de courroie.			X		X	X
Nettoyer le préfiltre en mousse (selon l'équipement). ²⁵			O	O	O	O

²³ Cela doit être effectué par un agent d'entretien agréé.

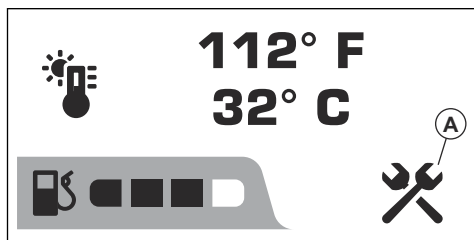
²⁴ Dans des conditions poussiéreuses, le nettoyage et le remplacement doivent être effectués plus fréquemment.

²⁵ Dans des conditions poussiéreuses, le nettoyage et le remplacement doivent être effectués plus fréquemment.

Entretien	Entretien quotidien		Effectuer l'entretien au moins une fois par an	Intervalles d'entretien en heures		
	Avant	Après		25	100	500
Remplacer le préfiltre en mousse (selon l'équipement). ²⁶			O			
Nettoyer la cartouche de filtre à air en papier. ²⁷			O	O	O	O
Examiner le silencieux et l'écran du pare-étincelles.			*		*	*
Démarrer le moteur et les lames, écouter s'il y a des bruits inhabituels		*				
Affuter les lames. ²⁸			X	X	X	X
Remplacer les lames.			X	X	X	X
Remplacer les bougies d'allumage.			O		O	O
Vidanger l'huile moteur. ²⁹			O		O	O
Remplacer le filtre à huile du moteur.			O		O	O
Remplacer le filtre à carburant.			O		O	O
Remplacer le filtre à air en papier. ³⁰			O		O	O

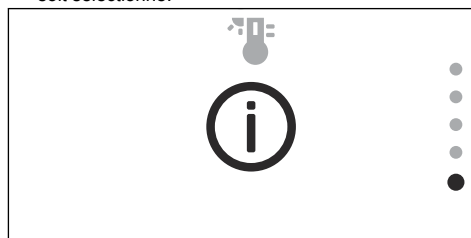
Intervalle d'entretien

Lorsque le produit doit subir un entretien selon l'intervalle prescrit, le symbole d'entretien (A) s'affiche à l'écran. Le symbole d'entretien reste affiché jusqu'à ce que la minuterie d'entretien soit réinitialisée.



Réinitialisation de la minuterie d'entretien

1. Appuyer sur le bouton OK du panneau de commande pour ouvrir la structure du menu.
2. Appuyer sur le bouton vers le bas du panneau de commande jusqu'à ce que le symbole d'information soit sélectionné.



²⁶ Dans des conditions poussiéreuses, le nettoyage et le remplacement doivent être effectués plus fréquemment.

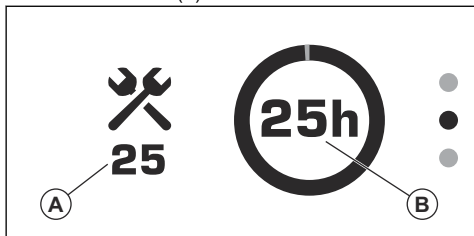
²⁷ Dans des conditions poussiéreuses, le nettoyage et le remplacement doivent être effectués plus fréquemment.

²⁸ Cela doit être effectué par un agent d'entretien agréé.

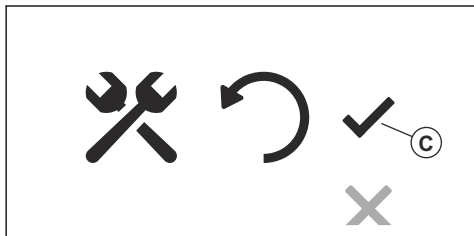
²⁹ Vidanger l'huile moteur la première fois après 8 à 10 heures de fonctionnement. Si le produit est utilisé avec une charge lourde ou à des températures ambiantes élevées, vidanger l'huile moteur toutes les 50 heures.

³⁰ Dans des conditions poussiéreuses, le nettoyage et le remplacement doivent être effectués plus fréquemment.

3. Appuyer sur la touche OK. L'écran affiche le compteur horaire.
4. Appuyer une fois sur le bouton vers le bas du panneau de commande. L'écran affiche le prochain intervalle d'entretien (A) et le temps écoulé depuis le dernier entretien (B).



5. Appuyer sur la touche OK.
 - a) Pour réinitialiser la minuterie d'entretien, appuyer sur le bouton OK lorsque la coche (C) est sélectionnée.



- b) Pour annuler la réinitialisation, appuyer sur le bouton vers le bas, puis sur le bouton OK lorsque le symbole « X » est sélectionné.

L'écran affiche le prochain intervalle d'entretien (D) et le temps écoulé depuis le dernier entretien (E).



6. Appuyer sur le bouton vers le bas, puis sur le bouton OK pour retourner au menu principal.

Nettoyage du produit



MISE EN GARDE : Ne pas utiliser un nettoyeur haute pression ou un nettoyeur à vapeur. L'eau peut pénétrer dans les paliers et les connexions électriques et provoquer la corrosion qui endommage le produit.

Nettoyer le produit immédiatement après l'utilisation.

- Ne pas nettoyer les surfaces chaudes telles que le moteur, silencieux et le système d'échappement. Patienter jusqu'à ce que les surfaces refroidissent, puis retirer l'herbe ou la saleté.
- Avant de nettoyer avec de l'eau, nettoyer au moyen d'une brosse. Retirer l'herbe coupée et la saleté sur et autour de la transmission, de la prise d'air de la transmission et du moteur.
- Utiliser de l'eau courante d'un tuyau pour nettoyer le produit. Ne pas utiliser une pression élevée.
- Ne pas diriger l'eau sur les composants électriques ou les paliers. Le détergent augmente généralement les dégâts.
- Utiliser de l'air comprimé pour nettoyer le côté haut de l'unité de coupe.
- Utiliser un tuyau d'eau pour nettoyer le dessous de l'unité de coupe.
- Lorsque le produit est propre, démarrer l'unité de coupe pendant une courte période afin d'évacuer l'eau résiduelle.

Pour nettoyer le moteur et le silencieux

Maintenir le moteur et le silencieux exempts d'herbes coupées et de saleté. La présence de l'herbe coupée imbibée de carburant ou d'huile sur le moteur peut augmenter le risque d'incendie et de surchauffe du moteur. Laisser le moteur refroidir avant de le nettoyer. Nettoyer avec de l'eau et une brosse.

L'herbe coupée autour du silencieux sèche rapidement et représente un risque d'incendie. Utiliser une brosse ou retirer l'herbe coupée avec de l'eau lorsque le silencieux est froid.

Pour nettoyer la batterie

La corrosion et la saleté sur la batterie et ses bornes peuvent entraîner une perte de puissance.

1. Retirer la batterie. Se reporter à *Retrait et installation de la batterie à la page 97*.
2. Rincer la batterie avec de l'eau et la laisser sécher.



MISE EN GARDE : Ne pas utiliser un nettoyeur haute pression ou un nettoyeur à vapeur. L'eau peut pénétrer dans les paliers et les connexions électriques et provoquer la corrosion qui endommage le produit.

3. Nettoyer les bornes et les extrémités des câbles de la batterie à l'aide d'une brosse métallique.

Pour vérifier le frein de stationnement

1. Stationner le produit sur une pente avec surface dure.

Remarque : Ne pas garer le produit sur une pente couverte d'herbe lors de la vérification du frein de stationnement.

- Engager le frein de stationnement.
- Si le produit commence à se déplacer lorsque le frein de stationnement est engagé, laisser un agent d'entretien agréé régler le frein de stationnement.
- Désengager le frein de stationnement.

Pour charger la batterie

- Charger la batterie si elle est trop faible pour démarrer le moteur. Se reporter à *Temps de charge de batterie à la page 109* pour connaître les temps de charge des batteries.
- Utiliser un chargeur de batterie standard.



MISE EN GARDE : Ne pas utiliser un chargeur d'appoint ou un booster de démarrage. Un chargeur d'appoint ou un booster de démarrage peut endommager le système électrique du produit.

- Toujours débrancher le chargeur de batterie avant de démarrer le moteur.

Pour effectuer un démarrage d'urgence du moteur

Si la batterie est trop faible pour démarrer le moteur, il est possible d'utiliser des câbles de démarrage pour effectuer un démarrage d'urgence. Ce produit est équipé d'un circuit de 12 V avec prise de masse négative. Le produit utilisé pour le démarrage d'urgence doit également disposer d'un circuit de 12 V avec prise de masse négative.

Raccordement des câbles volants

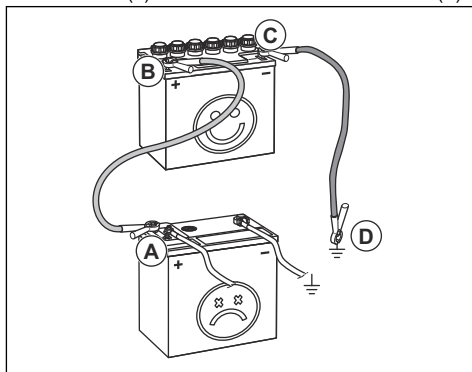


AVERTISSEMENT : Risque d'explosion en raison de gaz explosif qui provient de la batterie. Ne pas brancher la borne négative de la batterie complètement chargée à la borne négative de la batterie faible ou à proximité de celle-ci.



MISE EN GARDE : Ne pas utiliser la batterie du produit pour démarrer d'autres véhicules.

- Raccorder une extrémité du câble rouge à la borne POSITIVE (+) de la batterie sur la batterie faible (A).



- Raccorder l'autre extrémité du câble rouge à la borne POSITIVE (+) de la batterie sur la batterie complètement chargée (B).



AVERTISSEMENT : Ne pas court-circuiter les extrémités du câble rouge contre le châssis.

- Raccorder une extrémité du câble noir à la borne NÉGATIVE (-) de la batterie sur la batterie complètement chargée (C).
- Raccorder l'autre extrémité du câble noir à une MASSE DU CHÂSSIS (D), à l'écart du réservoir de carburant et de la batterie.

Pour retirer les câbles de démarrage

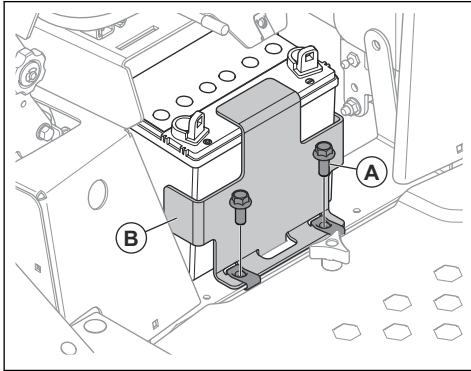
Remarque : Retirer les câbles de démarrage dans l'ordre inverse par rapport à celui observé lors de leur raccordement.

- Retirer le câble NOIR du châssis.
- Retirer le câble NOIR de la batterie complètement chargée.
- Retirer le câble ROUGE des 2 batteries.

Retrait et installation de la batterie

- Retirer le couvercle du compartiment de batterie sous le siège.

- Retirer les deux vis (A) du support de batterie (B) et retirer le support de batterie.



- Utiliser une clé pour débrancher le câble noir de la borne négative (-) de la batterie.
- Utiliser une clé pour débrancher le câble rouge de la borne positive (+) de la batterie.
- Retirer prudemment la batterie de la machine.
- Effectuer l'installation dans l'ordre inverse.

Réglage de la vitesse d'alignement

Si le produit ne se déplace pas en ligne droite, la vitesse d'alignement doit être ajustée.



AVERTISSEMENT : Toujours régler la vitesse d'alignement dans un espace ouvert sans spectateurs.

- Vérifier la pression de gonflage des pneus. Se reporter à *Pression de gonflage des pneus à la page 98*.
- Tourner les commandes d'alignement à fond. Se reporter à *Présentation de l'appareil à la page 76* pour connaître l'emplacement des commandes d'alignement.
- Tourner les commandes d'alignement de quatre tours.



MISE EN GARDE : Plus de quatre tours pourraient endommager le produit.

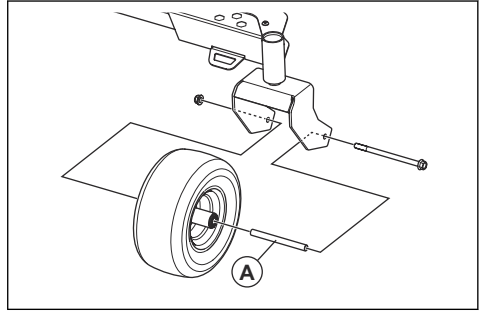
- Démarrer l'outil.
- Déplacer les leviers de commande complètement vers l'avant et faire fonctionner le produit à plein régime.
- Tourner la commande d'alignement du côté droit progressivement jusqu'à ce que le produit commence à se déplacer vers la droite.
- Tourner la commande d'alignement du côté gauche progressivement jusqu'à ce que le produit commence à se déplacer vers l'avant en ligne droite.

Pression de gonflage des pneus

S'assurer que la pression de gonflage des quatre pneus est correcte. Se reporter à *Données techniques à la page 107*.

Retrait et installation des roues avant

- Enlever l'écrou et le boulon pour retirer les roues avant des fourches. Il n'est pas nécessaire de retirer le tube (A).



- Effectuer l'installation dans l'ordre inverse. Serrer le boulon et l'écrou au couple de 81 à 115 Nm (60 à 85 lb-pi).



MISE EN GARDE : S'assurer que le tube (A) est installé correctement. Si le tube n'est pas installé, le rendement sera mauvais et la durée de vie de la roue sera réduite.

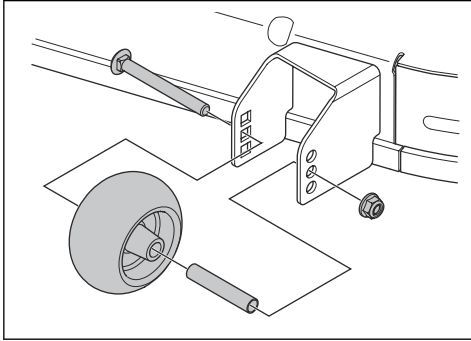
Réglage des rouleaux anti-arrachement

Les rouleaux anti-arrachement maintiennent l'unité de coupe à la bonne position au sol pour éviter d'arracher la pelouse sur la plupart des terrains. Les rouleaux anti-arrachement peuvent être installés dans 3 positions pour différentes longueurs d'herbe :

- Position supérieure : Herbe de 38 à 64 mm (1,5 à 2,5 po).
- Position intermédiaire : Herbe de 64 à 102 mm (2,5 à 4 po).
- Position inférieure : Herbe de 102 à 127 mm (4 à 5 po).

- Stationner le produit sur un sol plat et arrêter le moteur.

- Retirer l'écrou, le boulon, l'essieu et le rouleau anti-arrachement.



- Installer le rouleau anti-arrachement dans l'une des trois positions.

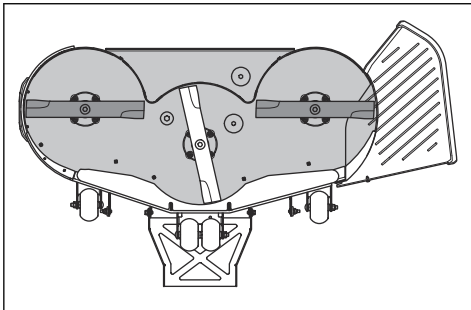


MISE EN GARDE : L'unité de coupe peut être endommagée si les rouleaux anti-arrachement sont réglés incorrectement. Les rouleaux anti-arrachement doivent être à environ 6,4 mm (1/4 po) du sol.

Réglage du parallélisme de l'unité de coupe

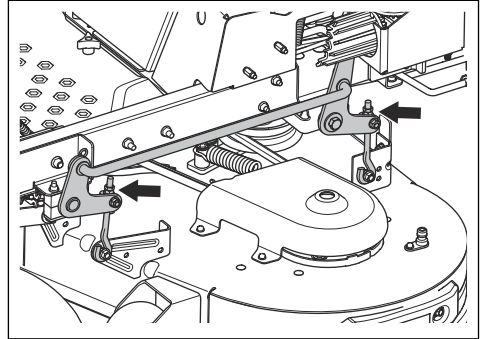
Cette procédure placera l'unité de coupe à une position de coupe standard.

- S'assurer que la pression de gonflage des pneus est correcte. Se reporter à *Pression de gonflage des pneus à la page 98*.
- Stationner la machine sur une surface de niveau.
- Tourner les pointes de lame extérieures pour les aligner côte à côte avec l'unité de coupe.

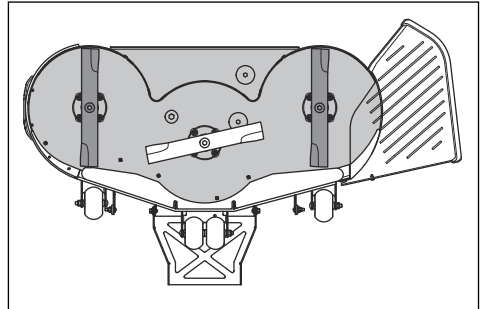


AVERTISSEMENT : Les lames de l'unité de coupe sont tranchantes et peuvent causer des blessures. Porter des gants de protection.

- Mesurer la distance entre le sol et le bas de la pointe de lame extérieure sur le côté de l'éjecteur de l'unité de coupe. Noter la distance.
- Mesurer la distance entre le sol et le bas de la pointe de lame extérieure sur le côté opposé de l'éjecteur de l'unité de coupe. Cette distance doit être identique à celle du côté de l'éjecteur. S'il est nécessaire de procéder à un ajustement, régler le contre-écrou sur la partie supérieure des bras arrière jusqu'à ce les mesures des deux côtés soient égales.



- Tourner les deux lames extérieures pour les aligner avec l'unité de coupe de l'avant vers l'arrière.



- Régler les deux boulons avant jusqu'à ce que les pointes de lame arrière soient de 3,2 à 9,5 mm (1/8 à 3/8 po) plus élevées à l'arrière par rapport aux pointes de lame avant.
- Mesurer à nouveau les distances pour s'assurer que l'unité de coupe a été réglée correctement.

Pour examiner les lames



MISE EN GARDE : Les lames endommagées ou mal équilibrées peuvent endommager le produit. Remplacer les lames endommagées. Laisser un agent d'entretien agréé vous aider à affûter et à équilibrer les lames émoussées.

- Examiner les lames pour voir si elles sont endommagées et s'il est nécessaire de les affûter.

Pour remplacer les lames

1. Retirer le boulon de la lame.
2. Monter la lame neuve avec l'extrémité sans estampilles dans la direction de l'unité de coupe.



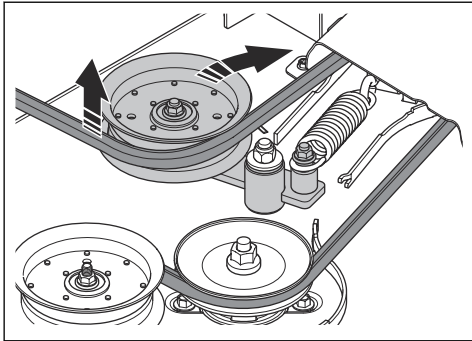
AVERTISSEMENT : Une lame de type non adéquat peut engendrer l'éjection d'objets de l'unité de coupe et causer des blessures très graves. Utiliser uniquement des lames approuvées.

3. Fixer le boulon de lame. Serrer le boulon au couple de 61–75 N•m.

Retrait de la courroie de l'unité de coupe

Stationner le produit sur un sol plat et engager le frein de stationnement avant d'effectuer cette tâche.

1. Abaisser l'unité de coupe à la position la plus basse.
2. Retirer les deux couvercles de courroie.
3. Retirer toute saleté ou tout matériau indésirable autour des logements de lames et sur la surface de l'unité de coupe.
4. Pousser le bras de renvoi pour réduire la tension de la courroie de l'unité de coupe et retirer soigneusement la courroie des poulies.



5. Retirer la courroie de l'unité de coupe de l'embrayage électrique se trouvant sur l'arbre du moteur.

Installation de la courroie de l'unité de coupe

1. Installer la courroie de l'unité de coupe sur la poulie de l'embrayage électrique se trouvant sur l'arbre du moteur.
2. Installer la courroie de l'unité de coupe sur les poulies de l'unité de coupe.

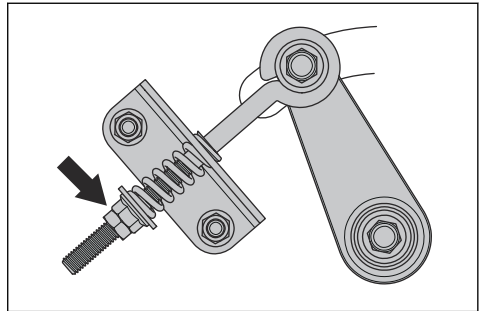
Remarque : Se reporter à l'autocollant d'acheminement apposé sur l'unité de coupe au moment d'installer la courroie de l'unité de coupe.

3. Pousser le bras de renvoi jusqu'à ce qu'il soit possible d'installer la courroie sur la poulie tendeur stationnaire et la maintenir en place.
4. Installer délicatement la courroie de l'unité de coupe sur la poulie tendeur fixe et remettre lentement le bras de renvoi en position.
5. S'assurer que l'acheminement de la courroie est aligné avec celui indiqué sur l'autocollant d'acheminement de la courroie.
6. S'assurer que la courroie de l'unité de coupe n'est pas tordue.
7. Installer les deux couvercles de courroie.

Retrait de la courroie de la pompe

Stationner le produit sur un sol plat et engager le frein de stationnement avant d'effectuer cette tâche.

1. Soulever l'arrière du produit et placer un support sous le produit.
2. Retirer les roues d'entraînement.
3. Retirer la courroie de l'unité de coupe. Se reporter à *Retrait de la courroie de l'unité de coupe à la page 100*.
4. Retirer la butée d'embrayage pour accéder à la courroie de la pompe.
5. Desserrer les écrous du boulon à œil pour diminuer la tension de la courroie de la pompe.



6. Retirer la courroie de la pompe du moteur et des poulies de la pompe.

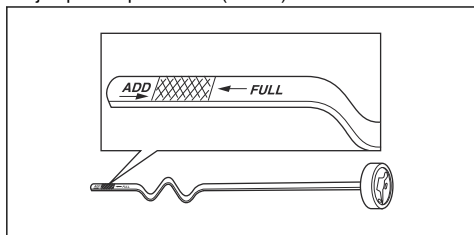
Installation de la courroie de la pompe

1. Desserrer les écrous du boulon à œil pour diminuer la tension de la courroie de la pompe.
2. Installer la courroie de la pompe sur les poulies tendeur de droite et de gauche.
3. Installer la courroie de la pompe sur la poulie moteur.
4. Installer la butée d'embrayage.

5. Tourner l'écrou sur le boulon à œil de la poulie tendeur pour régler la tension de la courroie de la pompe. La longueur du ressort doit être de 3,5 à 12,7 cm (1,38 à 1,50 po).
6. Installer la courroie de l'unité de coupe. Se reporter à *Installation de la courroie de l'unité de coupe à la page 100*.
7. Installer les roues d'entraînement.
8. Retirer les supports et abaisser l'arrière du produit.

Vérification du niveau d'huile moteur

1. Stationner le produit sur un sol plat et arrêter le moteur.
2. Desserrer la jauge d'huile et la sortir.
3. Nettoyer l'huile sur la jauge d'huile.
4. Insérer la jauge dans le trou prévu pour la jauge et la serrer.
5. Desserrer la jauge d'huile, l'enlever et lire le niveau d'huile.
6. Le niveau d'huile doit se trouver entre les repères de la jauge d'huile. Si le niveau se trouve à proximité du repère ADD (AJOUTER), faire l'appoint d'huile jusqu'au repère FULL (PLEIN).



7. Faire l'appoint d'huile par le trou de la jauge d'huile. Verser l'huile lentement.

Remarque : Se reporter à *Caractéristiques techniques à la page 107* pour connaître les types d'huile moteur recommandés par Husqvarna. Ne pas mélanger différents types d'huile.

8. Serrer complètement la jauge d'huile avant de démarrer le moteur.

Pour effectuer la vidange d'huile

Si le moteur est froid, démarrer le moteur pendant 1 à 2 minutes avant de vidanger l'huile moteur. Cela réchauffe l'huile moteur et facilite la vidange.



AVERTISSEMENT : Ne pas faire fonctionner le moteur pendant plus d'une à deux minutes avant de vidanger l'huile moteur. L'huile moteur devient très chaude et peut causer des brûlures graves. Laisser le moteur se refroidir avant de vidanger l'huile moteur.



AVERTISSEMENT : En de déversement d'huile moteur sur votre corps, nettoyer avec du savon et de l'eau.

1. Garer le produit sur un sol plat et arrêter le moteur.
2. Engager le frein de stationnement. Se reporter à *Engagement et désengagement du frein de stationnement à la page 89*.
3. Retirer toute saleté autour du bouchon du réservoir d'huile.
4. Retirer le bouchon du réservoir d'huile et la jauge d'huile.
5. Trouver le bouchon de vidange d'huile sur le moteur. Se reporter à *Présentation de l'appareil à la page 76*.
6. Placer un récipient sous le bouchon de vidange d'huile.
7. Retirer le bouchon de vidange d'huile.
8. Laisser l'huile s'écouler dans le récipient.
9. Remettre en place le bouchon de vidange d'huile.
10. Remplir avec de l'huile neuve et vérifier le niveau d'huile moteur. Se reporter à *Vérification du niveau d'huile moteur à la page 101*.
11. Retirer le bouchon du réservoir d'huile et la jauge d'huile.

Remarque : Pour mettre au rebut de façon sécuritaire l'huile moteur usée, se reporter à *Mise au rebut à la page 106*.

Lubrification, généralités

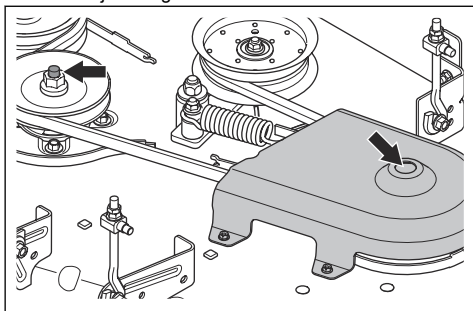
- Retirer la clé de contact pour éviter tout mouvement involontaire durant le graissage.
- Nettoyer la zone avant de lubrifier une pièce du produit.
- Utiliser de l'huile moteur pour la lubrification avec burette
- Pour lubrifier au moyen de la graisse, utiliser de la graisse pour châssis ou pour roulement à billes qui empêche la corrosion. Retirer la graisse indésirable après la lubrification.
- Si on utilise le produit tous les jours, lubrifier 2 fois par semaine.
- Ne pas renverser du lubrifiant sur les courroies d'entraînement ou les gorges des poulies à courroie. En cas de déversement, nettoyer avec de l'alcool. Si la force de frottement entre la courroie d'entraînement et la poulie ne suffit pas après le nettoyage avec de l'alcool, remplacer la courroie d'entraînement.



MISE EN GARDE : Ne pas utiliser de l'essence ou autre produit pétrolier pour nettoyer les courroies d'entraînement.

Lubrification des tiges de l'unité de coupe

1. Régler l'unité de coupe à la position de tonte.
2. Lubrifier chaque tige de l'unité de coupe avec deux ou trois jets de graisse.



Remarque : Utiliser un pistolet à graisse avec un tuyau en caoutchouc pour lubrifier les tiges de l'unité de coupe.

Dépannage

Annexe sur le dépannage





Si une solution à des problèmes est introuvable dans ce manuel d'utilisation, communiquer avec l'agent d'entretien Husqvarna.




Problème	Causes
Le moteur ne démarre pas.	L'entraînement des lames est engagé. Se reporter à <i>Bouton de prise de force (prise de force) et témoin à DEL à la page 78.</i>
	Les commandes de la direction ne sont pas verrouillées au point mort.
	La batterie est trop faible. Se reporter à <i>Pour charger la batterie à la page 97.</i>
	Il y a de la saleté dans le carburateur ou dans la conduite de carburant.
	Le filtre à carburant ou la conduite de carburant est encrassé.
	Le système d'allumage est endommagé.
Le moteur de démarreur n'entraîne pas le moteur.	La batterie est trop faible. Se reporter à <i>Pour charger la batterie à la page 97.</i>
	La connexion au niveau des connecteurs de câbles sur les bornes de batterie est défectueuse. Se reporter à <i>Pour nettoyer la batterie à la page 96.</i>
	Un fusible est grillé. Se reporter à <i>Fusibles à la page 79.</i>
	Le CPO est endommagé. Se reporter à <i>Contrôle de présence de l'opérateur à la page 79.</i>

Problème	Causes
Le moteur ne tourne pas en douceur.	Le carburateur est mal réglé.
	Le filtre à carburant ou la conduite de carburant est encrassé.
	Le clapet antiretour du bouchon du réservoir de carburant est bouché.
	Le réservoir de carburant est presque vide.
	La bougie d'allumage est endommagée.
	Mélange de carburant ou type de carburant incorrect.
	Il y a de l'eau dans le carburant.
	Le filtre à air est bouché.
Le moteur n'est pas alimenté apparemment.	Le filtre à air est bouché.
	La bougie d'allumage est endommagée.
	Le carburateur est mal réglé.
	Il y a de l'air dans le circuit hydraulique.
Le produit vibre.	Les lames sont desserrées. Se reporter à <i>Pour examiner les lames à la page 99.</i>
	Une ou plusieurs lames ne sont pas équilibrées. Se reporter à <i>Pour examiner les lames à la page 99.</i>
	Le moteur est desserré.
Le moteur devient trop chaud.	Le filtre à air ou les ailettes de refroidissement sont bloqués.
	Il y a une surcharge dans le moteur.
	La circulation d'air autour du moteur est insuffisante.
	Le régulateur de régime du moteur est endommagé.
	Le niveau d'huile est trop bas.
	Il y a de la saleté dans la conduite de carburant.
	La bougie d'allumage est endommagée.
La batterie ne se recharge pas.	La connexion au niveau des connecteurs de câbles sur les bornes de batterie est défectueuse. Se reporter à <i>Pour nettoyer la batterie à la page 96.</i>
	Le câble de charge est débranché.
	Le système de charge est endommagé.
Le produit se déplace lentement, à une vitesse irrégulière ou pas du tout.	Les tringleries de dérivation sont engagées.
	La courroie d'entraînement de la transmission est lâche ou endommagée.
	Il y a de l'air dans le circuit hydraulique.

Problème	Causes
L'entraînement des lames ne s'engage pas.	La courroie d'entraînement de l'unité de coupe est lâche.
	Le contact d'accouplement électromagnétique est desserré.
	L'entraînement de la lame est endommagé ou détaché des connecteurs de câble.
	Un fusible est grillé.
Fuite d'huile au niveau de la boîte-pont	Les joints, le carter ou les joints sont endommagés.
	Il y a de l'air dans le circuit hydraulique.
Le résultat de coupe est insatisfaisant.	La pression des pneus est différente sur les côtés droit et gauche. Se reporter à <i>Pression de gonflage des pneus à la page 98</i> .
	Les lames sont endommagées.
	La suspension de l'unité de coupe n'est pas de niveau.
	Les lames sont émoussées. Se reporter à <i>Pour examiner les lames à la page 99</i> .
	Le produit est utilisé à une vitesse avant ou arrière trop élevée. Se reporter à <i>Pour obtenir un bon résultat de coupe à la page 93</i> .
	L'herbe est haute. Se reporter à <i>Symboles figurant sur le produit à la page 79</i> .
	L'unité de coupe est bloquée par de l'herbe. Se reporter à <i>Nettoyage du produit à la page 96</i> .

Messages de mise en garde à l'écran







Symbole	Nom	Causes
	Indicateur de contrôle de présence de l'opérateur	Le produit s'arrête parce que l'opérateur n'est pas assis sur le siège et que le frein de stationnement n'est pas serré.
	Témoin du frein de stationnement	Le frein de stationnement est serré.
	Témoin du commutateur	Le produit ne peut pas démarrer si le commutateur est à la position verrouillée.
		Le produit s'arrête si le commutateur est déplacé de la position déverrouillée à la position verrouillée.
	Témoin de levier de commande	Les leviers de commande sont à la position de stationnement.

Symbole	Nom	Causes
	Témoin de levier de commande	L'un des leviers de commande est au point mort.
		
	Témoin de levier de commande	Les leviers de commande sont au point mort.

Messages d'avertissement à l'écran

Un témoin d'avertissement clignote et le symbole correspondant au type d'avertissement s'affiche.

Si le témoin d'avertissement s'allume avec un numéro d'erreur, communiquez avec votre dépositaire Husqvarna.

Symbole	Nom	Causes
	Témoin d'avertissement	Avertissement de sécurité. L'autre symbole indique le type d'avertissement.
	Phares	Les phares sont allumés.
	Indicateur de niveau de la batterie	La tension de la batterie est basse. Se reporter à <i>Pour charger la batterie à la page 97.</i>
	Témoin de prise de force	L'entraînement des lames est engagé.
	Témoin du frein de stationnement	Le frein de stationnement est serré.
	Témoin du moteur	Il y a un problème de moteur.

Transport, entreposage et mise au rebut

Transport

- Ne pas remorquer le produit.
- Le produit est lourd et peut occasionner de graves blessures. Faire attention lors du chargement ou

du déchargement du produit d'un véhicule ou d'une remorque.

- Charger le produit en marche arrière sur des rampes homologuées ayant un angle de fonctionnement maximal de 10°. Ne pas lever le produit.

- Utiliser une courroie approuvée pour le transport du produit.
- S'assurer de connaître les règles de circulation routière locales avant de transporter le produit dans une remorque ou sur les routes.
- Immobiliser le produit en utilisant des dispositifs approuvés, tels que des sangles. Utiliser des points d'arrimage sur le produit ou les zones applicables du cadre. Le frein de stationnement ne suffit pas pour bloquer le produit durant le transport.

- Retirer la batterie. La nettoyer, la charger et la maintenir à l'écart de la chaleur pendant la période de remisage.
- Vidanger l'huile moteur, puis mettre au rebut l'huile usée.
- Vider le réservoir de carburant. Démarrer le moteur et le faire tourner jusqu'à ce qu'il ne reste plus de carburant dans le carburateur.

Entreposage

Préparer le produit pour le remiser à la fin de la saison, et avant plus de 30 jours de remisage. Si le carburant est conservé dans le réservoir de carburant pendant une période de 30 jours ou plus, des particules collantes peuvent obstruer le carburateur. Cela a un effet négatif sur le fonctionnement du moteur.

Pour éviter l'accumulation de particules collantes pendant le remisage, ajouter un stabilisateur au carburant. Si de l'alkylat est utilisé, le stabilisateur n'est pas nécessaire. Si de l'essence ordinaire est utilisée, ne pas le remplacer par l'alkylat. Cela peut provoquer le durcissement des pièces en caoutchouc sensibles. Ajouter un stabilisateur au carburant du réservoir ou dans le récipient utilisé pour le remisage. Utiliser toujours les proportions de mélange indiquées par le fabricant. Ajouter le stabilisateur et faire tourner le moteur pendant au moins 10 minutes, jusqu'à ce que le carburant coule dans le carburateur.



AVERTISSEMENT : Ne pas remiser le produit avec du carburant dans le réservoir dans un endroit à l'intérieur d'un bâtiment ou dans des endroits avec une mauvaise ventilation. Risque d'incendie si les vapeurs de carburant se rapprochent de flammes nues, d'étincelles ou de veilleuses, par exemple dans des chaudières, des réservoirs d'eau chaude et des sècheurs à vêtement.



AVERTISSEMENT : Retirer l'herbe, les feuilles et d'autres matériaux inflammables du produit afin de réduire le risque d'incendie. Laisser le produit refroidir avant de le remiser.

- Nettoyer le produit; se reporter à section *Nettoyage du produit à la page 96*.
- Retirer tout matériau indésirable du ventilateur de refroidissement.
- Réparer les dommages à la peinture pour prévenir la corrosion.
- Examiner le produit pour détecter d'éventuelles pièces usées ou endommagées, puis serrer les vis et les écrous desserrés.

Remarque : Ne pas vider le réservoir de carburant et le carburateur si un stabilisateur a été ajouté.

- Enlever les bouchons et verser environ une cuillère à soupe d'huile moteur dans chaque cylindre. Tourner manuellement l'arbre du moteur pour appliquer l'huile, puis remettre en place les bouchons.
- Graisser tous les raccords de graissage, les joints et les arbres.
- Entreposer le produit dans un endroit propre et sec, puis le couvrir pour une protection supplémentaire.

Mise au rebut

- Les produits chimiques peuvent être dangereux et ne doivent pas se déverser au sol. Toujours mettre au rebut les produits chimiques usagés dans un centre d'entretien ou dans un emplacement de mise au rebut applicable.
- Lorsque le produit est usé, l'envoyer à votre concessionnaire ou dans un emplacement recyclage applicable.
- L'huile, les filtres à huile, le carburant et la batterie peuvent avoir des effets négatifs sur l'environnement. Respecter les exigences locales en matière de recyclage et la réglementation en vigueur.
- Ne pas mettre au rebut la batterie comme un déchet domestique ordinaire.
- Envoyer la batterie à un agent d'entretien Husqvarna ou la mettre au rebut dans un emplacement de mise au rebut des batteries usagées.

Données techniques

Caractéristiques techniques

	Xcite™ Z350	Xcite™ Z380
Moteur		
Marque/modèle	Kohler/KT735	Kohler/KT745
Puissance nominale du moteur, ch/ kW ³¹	24/17,9	26 / 19,3
Cylindrée, cm ³	725	747
Régime maximal du moteur, tr/min	3 600 ± 75	3 600 ± 75
Carburant, indice d'octane min. sans plomb, 10 % d'éthanol max., 15 % de MTBE max.	87	87
Volume du réservoir, gal/L	4,31/16,3	4,31/16,3
Huile	Classe SF, SG, SH, SJ ou SL SAE40, SAE30, SAE20W-50, SAE10W-40, SAE10W-30, SAE5W-20	Classe SF, SG, SH, SJ ou SL SAE40, SAE30, SAE20W-50, SAE10W-40, SAE10W-30, SAE5W-20
Volume d'huile avec filtre, oz/L	64/1,9	64/1,9
Volume d'huile sans filtre, oz/L	66,6/2	66,6/2
Dispositif de lubrification	Pression avec filtre à huile	Pression avec filtre à huile
Système de refroidissement	Refroidissement à air	Refroidissement à air
Filtre à air	Absorbeur robuste	Absorbeur robuste
Alternateur, V et A à 3600 tr/min	12 V 15 A à 3500 ± 100 tr/min	12 V 15 A à 3500 ± 100 tr/min
Dispositif auxiliaire de démarrage	Démarrage électrique, 12 V	Démarrage électrique, 12 V
Dimensions		
Longueur, po/cm	78,75/200,3	78,75/200,3
Largeur, po/cm	49,5/126	49,5/126
Largeur incluant l'éjecteur relevé, po/cm	53,9/137	53,9/137
Largeur, incluant l'éjecteur abaissé, po/cm	68 / 172,7	68 / 172,7
Hauteur, po/cm	42,5/108	46/116,8
Poids sans carburant, lb/kg	794/360,2	828/375,6

³¹ La puissance indiquée par le fabricant du moteur est la puissance de sortie moyenne brute au régime spécifié d'un moteur de production typique du modèle de moteur, mesurée selon la norme SAE pour la puissance brute du moteur. Se reporter aux spécifications relatives au moteur du fabricant du moteur.

	Xcite™ Z350	Xcite™ Z380
Poids nominal brut du véhicule (PNBV) max., lb/kg ³²	1300/589,6	1300/589,6
Pente maximale, degrés °	10	10
Largeur de coupe, po/cm	54/137	54/137
Hauteur de coupe, po/cm	1,5-4,5/3,9-11,4	1,5-4,5/3,9-11,4
Unité de coupe		
Construction de l'unité de coupe	Construite au calibre 10	Construite au calibre 10
Nombre de lames	3	3
Longueur de lame, po/cm	21/53	21/53
Engagement de la lame	Embrayage Ogura	Embrayage Ogura
Productivité, acres/h / m ² /h	3,48 / 14083	3,92 / 15863
Pneus		
Pression des pneus avant – kPa/lb-po2/bar	103/15/1	103/15/1
Pression des pneus arrière – kPa/lb-po2/bar	103/15/1	103/15/1
Pneus avant, po	13 x 6,5-6	13 x 6,5-6
Pneus arrière, pneumatique Turf, po	20 x 10-10	22 x 10-10
Roulettes anti-scalp	4 (réglable)	4 (réglable)
Transmission		
Transmission	Tuff Torq TZ-350	Parker HTE 10
Huile de transmission	Tuff Torq Tuff Tech	Parker HT-1000, Castrol Synthetic 5W-50, Amsoil AW ISO 68, Shell TTF-SB, autre huile synthétique de qualité supérieure (15W40 min.)
Commande de direction	Deux leviers, à prise en mousse	Deux leviers, à prise en mousse
Vitesse maximale en marche avant, mi/h / km/h	8/12,87	9/14,48
Vitesse maximale en marche arrière, mi/h / km/h	3,5/5,63	4,5/7,24
Freins	Frein de stationnement mécanique	Frein de stationnement mécanique
Système électrique		
Batterie	12 V, classe 230 CCA	12 V, classe 230 CCA
Bougie d'allumage	XC12 YC	XC12 YC
Écartement des électrodes, po/mm	0,03/0,76	0,03/0,76

³² Le poids nominal brut du véhicule (PNBV) est le poids maximal d'un produit entièrement équipé. Cela comprend le conducteur, les accessoires, les options, l'équipement et le chargement.

	Xcite™ Z350	Xcite™ Z380
Couple de la bougie, pi-lb/Nm	22/27	22/27

Temps de charge de batterie

Batterie standard	État de charge	Temps de charge approximatif à pleine charge à 80 °F / 26 °C ³³			
		Taux maximal à :			
		50 A	30 A	20 A	10 A
12,6 V	100 %	Complètement chargée			
12,4 V	75 %	20 min	35 min	48 min	90 min
12,2 V	50 %	45 min	75 min	95 min	180 min
12,0 V	25 %	65 min	115 min	145 min	280 min
11,8 V	0 %	85 min	150 min	195 min	370 min

Service

Faire une vérification annuelle dans un centre d'entretien agréé pour s'assurer que le produit fonctionne correctement de façon sécuritaire et donne un rendement optimal pendant la haute saison. Le meilleur moment d'effectuer un entretien ou une révision du produit est la basse saison.

Lors de la commande d'une pièce de rechange, fournir des renseignements sur l'année d'achat, le modèle, le type et le numéro de série.

Toujours utiliser des pièces de rechange d'origine.

³³

La durée de charge de batterie dépend de la capacité de la batterie, de son état, de son âge, de la température et de l'efficacité du chargeur.

Marques déposées

La marque et les logos *Bluetooth*[®] sont des marques déposées appartenant à *Bluetooth SIG, inc.* et tout usage de ces marques par Husqvarna est soumise à licence.



www.husqvarna.com

Original instructions
Instrucciones originales
Instructions d'origine

1143186-49 Rev. 7



2023-08-14