

SALFORD

HAY & PASTURE

AERWAY

SALFORD



ACHIEVE TOTAL PASTURE MANAGEMENT WITH Aerway

With almost 40 years leading the way in North American aeration experience the Aerway hay and pasture models have led the way in reliable results with compaction relief and increased yields in hay fields and pasture land.

Rejuvenating older stands by creating pockets and microfractures that allow better infiltration of water and air, Aerway not only increases the yields but the overall health of the stand is improved with a more robust root structure.





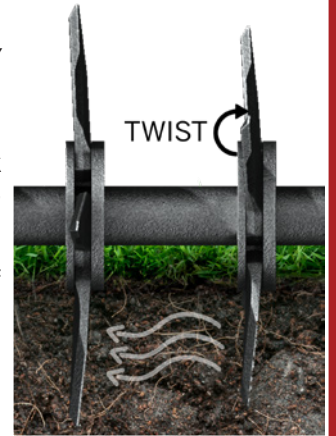
TABLE OF CONTENTS

AERWAY BENEFITS	4
CHAIN HARROWS	6
CLASSIC	8
PULL-TYPE	10
C-FLEX	12
AWM	14

SOIL AERATION BENEFITS

REVITALIZE YOUR SOIL WITH AERWAY® TECHNOLOGY

Only patented Aerway® Shattertines lift and fracture tough soil to increase air and water movement. As the Aerway moves over the surface, the unique angles of the Aerway Shattertines crack and shatter compacted soil 8 in. and deeper to open new channels for air and water. Plants respond with stronger roots and better yields. Plus, you'll see improved fertilizer utilization, reduced runoff, and greater soil moisture retention. See for yourself why thousands of cattlemen and hay producers agree - there's nothing else like Aerway.

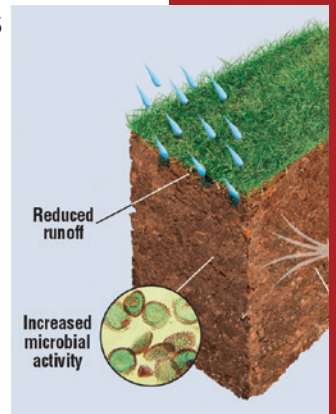


SOIL BASICS

Three systems, physical, biological and chemical, work together to make soil productive. Soil scientists agree that the physical condition of soil is the key to efficient biological and chemical activity, which in turn determines how much plant life the soil can support.

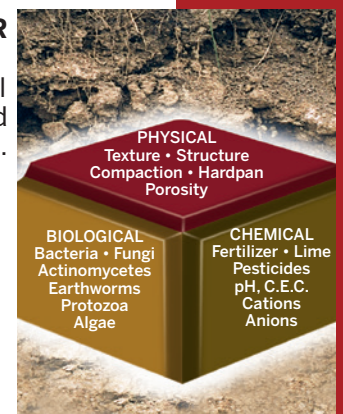
Soil tilth is a measurement of the balance between basic soil elements: air, mineral, water, and organic matter. The proper balance of these elements increase soil production by allowing efficient interaction of all the soil systems. Air and water balance in the soil is the key to good root growth.

Compaction stresses plants because air and water are "squeezed" from the soil. Biological and chemical activities which depend on air and water become severely restricted. Root growth is impaired, crop production suffers.

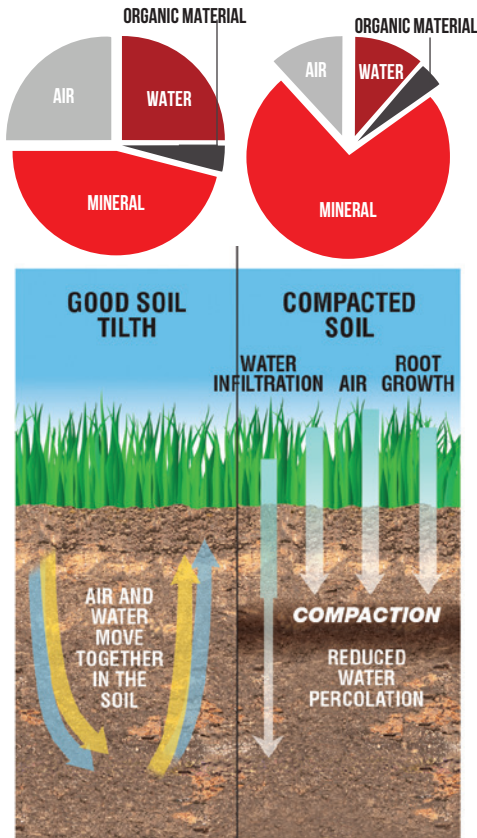


MECHANICAL AERATION WITH AERWAY IS THE ANSWER

Since soil compaction is a physical problem, the best solution is mechanical aeration. The ideal type of aeration treatment is fast, efficient, cost effective, and easy to perform – just what you get with patented Aerway Shattertine aeration.



AERWAY GOES TO THE HEART OF THE PROBLEM BY RELIEVING COMPACTION



AIR AND WATER MOVE TOGETHER

Correcting compaction makes a dramatic improvement in soil tilth. It is the most basic step you can take to improve crop production. That's because air and water move together in the soil profile. With proper air / water balance in the soil, all the biological and chemical systems work at peak efficiency.

Compaction makes both wet and dry soil conditions more severe. It reduces the water holding capacity of soil which makes drought conditions worse, and inhibits drainage to make wet conditions more troublesome.

AERWAY TINE PATTERN PREVENTS EROSION

Unlike many other pasture aeration tools that have blades or shanks in a row the alternating position of the Aerway roller tines are arranged in an offset pattern. This unique tine arrangement ensures there is never a continuous furrow or groves in the soil that would channel water and cause erosion.



Tony Long
Rising Star, Texas
500 acres, Hay & Pasture

"We first bought our Aerway to deal with compaction that comes with intense hay production. We could not be more pleased with the results. We have experienced higher yields due to decreased runoff and better absorption of valuable rainfall. With the high cost of fertilizer it is important to be efficient and Aerway has helped us do that. An added benefit we have found is that our fields are smoother and consequently we can travel at higher speeds saving valuable time and money."

AERWAY'S® QUICK ADJUST ADVANTAGE

The patented Aerway® Quick Adjust rollers allow you to control the degree of aeration and renovation. For example the lesser swing angles are used for aeration and compaction relief and the more aggressive angle for renovation and overseeding.



0 DEGREE ROLLER ANGLE



5 DEGREE ROLLER ANGLE



10 DEGREE ROLLER ANGLE

AERWAY CHAIN HARROWS

HEAVIEST HARROW IN THE INDUSTRY

Carrier units are designed practical, durable and easy to use, achieve excellent seedbed prep, with Aerway chain harrows. The unit base is 2 in. heavy square tubing mounted to the frame. The 6-foot carriers are easily removed by a single pin. To achieve this, place the Aerway down, raise the rear of the harrow and secure on the rear hook. Finally, lift the front bar of the harrow and secure with the chain. A three point hitch lift frame is also available.

THE HARROW IS IDEAL FOR:

- Horse and cattle farmers spreading manure
- Preparing seed beds (can also be trailed behind disc)
- Covering seed (ideally suited for winter rye grass)
- Incorporating herbicides
- Harrowing fertilizer on hay fields to get faster, more vigorous regrowth
- Root raking, land leveling and landscaping with the addition of 3-point lift frame



DRAG CHAIN HARROWS

5/8 in. diameter, drag harrows are available from 5 ft. to 26 ft. wide and 84 in. deep.

TEETH ARE PROVIDED ON BOTH SIDES

- 3-inch teeth are angled 45 degrees for better trash harrowing and lighter harrowing action on one side
- 3-inch teeth are angled 15 degrees on the opposite side for more rigid harrowing action
- The unique tooth arrangement of the harrow is self-cleaning under most conditions



PULL-TYPE HARROW CADDY

Swivel pull-type caddy's are available from 17 ft. to 26 ft. wide.

CHAIN HARROW SPECIFICATIONS

Model Number	Chain Harrow Width
AW-CH07-3	7 ft.
AW-CH09-3	9 ft.
AW-CH11-3	11 ft.
AW-CH13-3	13 ft.
AW-CH15-3	15 ft.
AW-CH17-3	17 ft.
AW-CH19-3	19 ft.
AW-CH22-3	22 ft.
AW-CH24-3	24 ft.
AW-CH26-3	26 ft.



AERWAY CLASSIC

QUICK PIN ADJUST

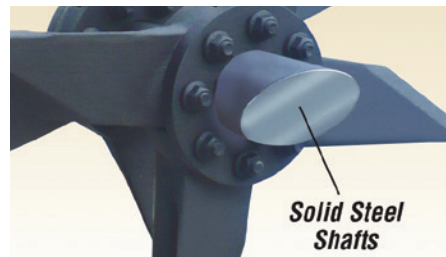


Model Number	Cultivation Width	Transport Width	# of Tines	Approx. Weight	H.P. Required*(per ft.)
AW060Q	6 ft.	5 ft. 10 in.	32	1,400 lbs.	40 - 60
AW100Q	10 ft.	10 ft. 8 in.	64	2,100 lbs.	75 - 100
AW120Q	12 ft.	11 ft. 10 in.	72	2,500 lbs.	100 - 130
AW150Q	15 ft.	15 ft. 2 in.	96	3,100 lbs.	130 - 160

*Horsepower requirements vary by speed and operating depth.



Quick Adjust Swing Arms



Solid Steel Shafts

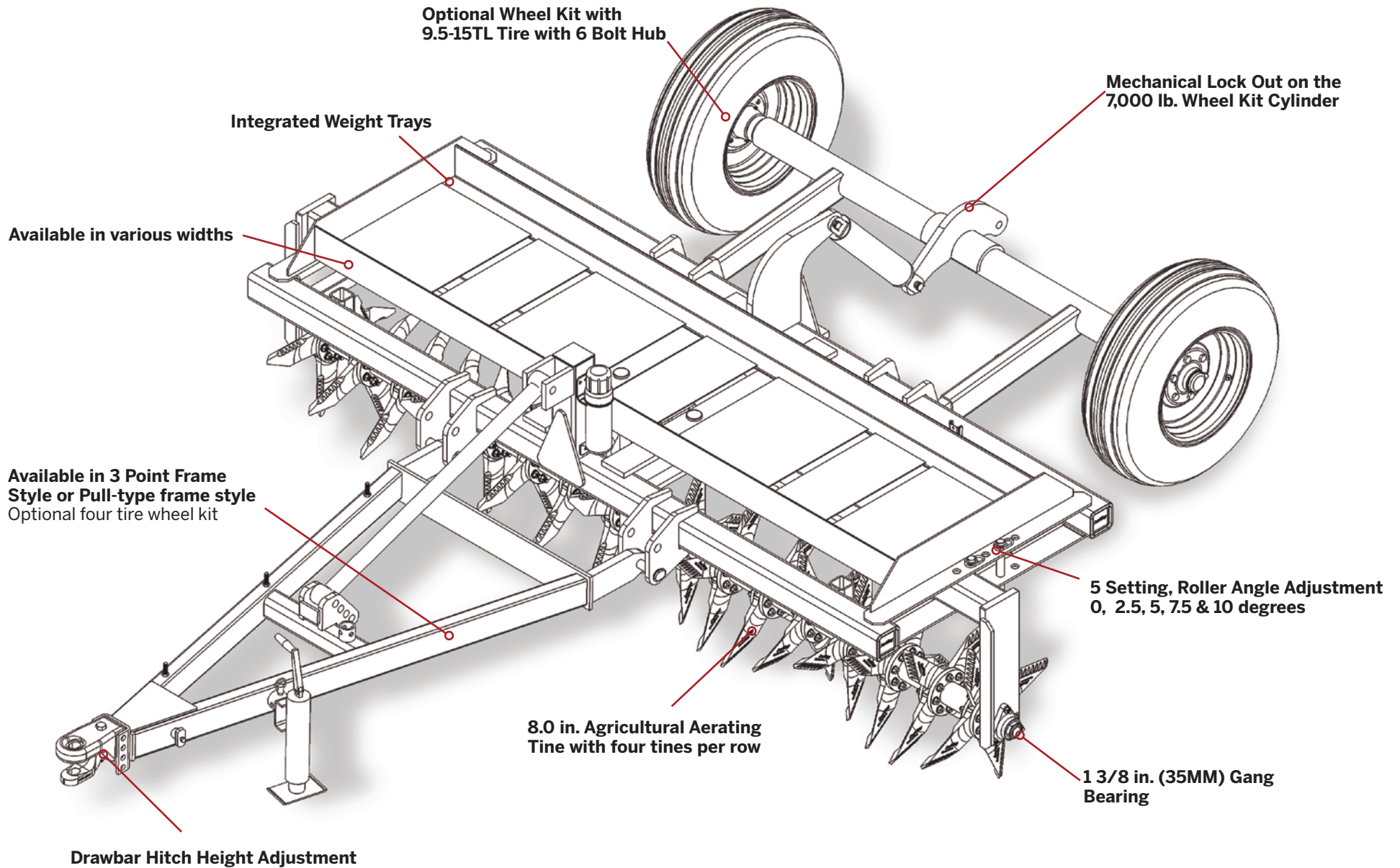


Heavy Duty Bearings



Optional Pull-Type Wheel Kit

VERSATILITY WITH GREAT VALUE | RENOVATE PASTURES | DEPENDABLE | BOOST YIELDS



AERWAY

PULL-TYPE

8 FT. HYDRAULIC



The Aerway 8 ft. Pull-Type model is developed to maximize hay and pasture productivity by increasing air, fertilizer, and water movement into the soil profile. Patented Aerway Shattertines gently lift and shatter tough soils 8 in. and deeper to increase air and water movement.

DRAWBAR ATTACHMENT

- Can be used as a clevis on conventional drawbars or as a ring on tractors equipped with a clevis hitch
- Can be bolted at alternate heights to accommodate various tractor drawbar heights and to maintain a level Aerway when operating in the field

HYDRAULICS

3 in. bore x 12 in. stroke double acting cylinder with manual lockout

FINISH

Sandblasted & painted Aerway Yellow

FRAME

- Hollow structural steel, welded construction
- Frame size 34 in. x 89.5 in.
- Four drop down jack legs
- Weight tray with checker plate floor – 26 in. x 83.5 in.
- Unit overall width 96 in.

LIFT FRAME

- One piece welded construction
- Axle spindles with six bolt hubs

WEIGHT

1,780 lbs.

ROLLERS

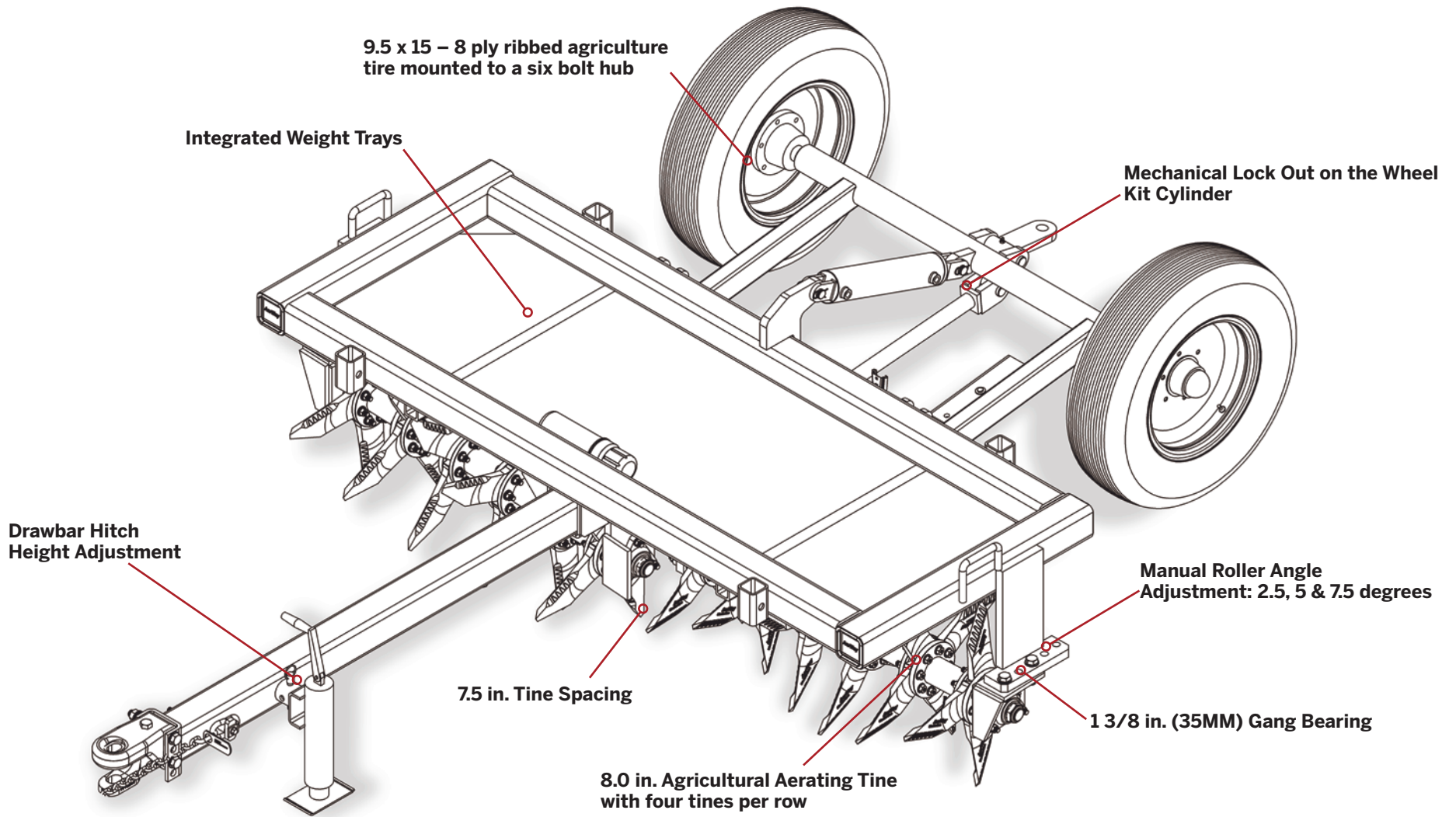
- Two 41.5 in. rollers
- Greaseable outboard bearing – two supplied per roller
- Rollers can be set at 2.5°, 5° or 7.5° of offset
- 7.5 in. tine spacing.
- Cultivation width of 7 ft. 7 in.

WHEELS

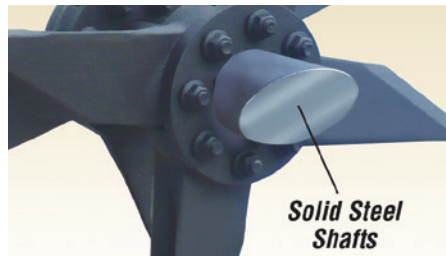
9.5 x 15 – 8 ply ribbed agriculture tire mounted to a six bolt hub, two supplied

Model Number	Cultivation Width	Transport Width	# of Tines	Approx. Weight	H.P. Required*(per ft.)
AW080H	7 ft. 7 in.	8 ft.	48	1,780 lbs.	35 - 65

*Horsepower requirements vary by speed and operating depth.



Adjustable Tine Settings for Aeration or Renovation



Solid Steel Shafts



Heavy Duty Bearings



Optional Pull-Type Wheel Kit

AERWAY C-FLEX

AWS STRAIGHT &
AWF FOLDING FRAME



Rising input costs along with uncertain commodity prices are placing greater demands on today's farmers. Aerway® owners have told us that they get versatility, value & savings plus, dependability and increased yields from their Aerway System. Aerway not only meets your requirements – it exceeds them!

EXTREMELY VERSATILE The Aerway's Quick Adjust feature allows you to vary the roller swing angle between 0° and 10°. This enables you to "fine tune" your setting for aeration, renovation, overseeding or pre-working your fields, for better retention of fertilizer, liquid manure, rainfall or irrigation.

GREAT VALUE, SAVES RESOURCES One implement that can do many jobs. The Aerway is used to get the maximum benefit out of your inputs, and helps to achieve a better root system that results in higher yields. Fewer field passes saves even more time and money when combining the tool with Aerway attachments such as harrows.

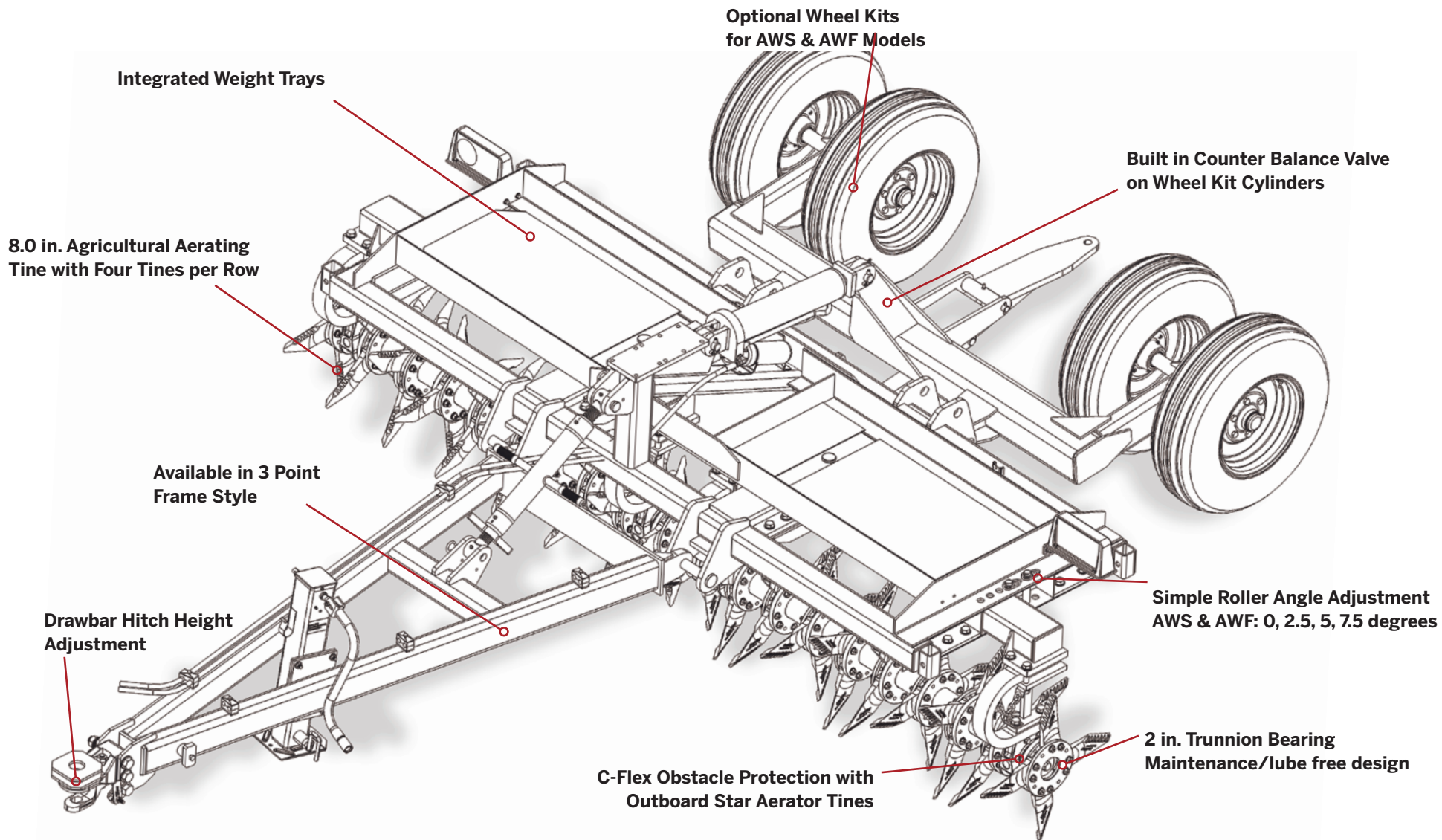
USE ALL-SEASON Start your spring off right by using the Aerway to aerate, warm, and loosen soils. During the remainder of the season the Aerway can be used to relieve compaction or renovate after each hay cutting. The Aerway will also boost your rotational and intensive grazing program as the increased productivity will let you graze animals on fewer acres.

VERY DEPENDABLE Designed and built to withstand demanding field conditions and provide years of reliable service.

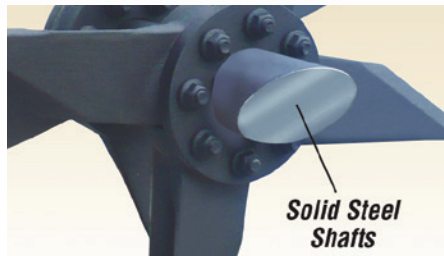
INCREASED YIELDS Aerway users are getting top yields with lower input costs. Better quality grass or hay results in more weight gain and healthier animals.

	Model Number	Cultivation Width	Transport Width	# of Tines	Approx. Weight	H.P. Required*(per ft.)
AWS STRAIGHT FRAME	AWST125	12.5 ft.	12 ft. 25 in.	80	2,515 lbs.	75 - 125
	AWST150 - 2 Rollers	15 ft.	14 ft. 8 in.	96	2,800 lbs.	90 - 150
	AWST200	20 ft.	19 ft. 8 in.	128	4,200 lbs.	120 - 200
AWF FOLDING FRAME	AWFT200	20 ft.	10 ft. 9 in.	128	5,475 lbs.	120-200
	AWFT25N	25 ft.	10 ft. 9 in.	160	6,300 lbs.	150 - 250
	AWFS300	30 ft.	15 ft. 9 in.	192	7,475 lbs.	180 - 300

*Horsepower requirements vary by speed and operating depth. AWSS150 has 4 short rollers & AWST150 has 2 long rollers



Quick Adjust Swing Arms



Solid Steel Shafts



Heavy Duty Maintenance Free Trunnion Bearings



C-Flex Load Dampening System

AERWAY AWM MANUAL BOLT ADJUST



COMPACTION RELIEF | SAVE RESOURCES | GREAT VALUE | DURABLE | CULTIVATE & AERATE

The AWM family of Aerway Models have been designed to satisfy the demands of farmers working smaller sized acreages. Aerway's adjustable roller settings allow the user to choose the degree of compaction relief, cultivation, aeration, and/or residue incorporation.

FRAME

A structural steel weldment with integral weight trays. Available as either a 3-Point (AWM3) or a Pull-type (AWMP) configurations.

AWMP HYDRAULICS

3 in. bore x 12 in. stroke double acting cylinder with manual lockout.

ROLLERS

Four tines per row at 7.5 in. spacing. Each roller shaft supported by two 2 in. pillow block bearings.

AWMP WHEELS

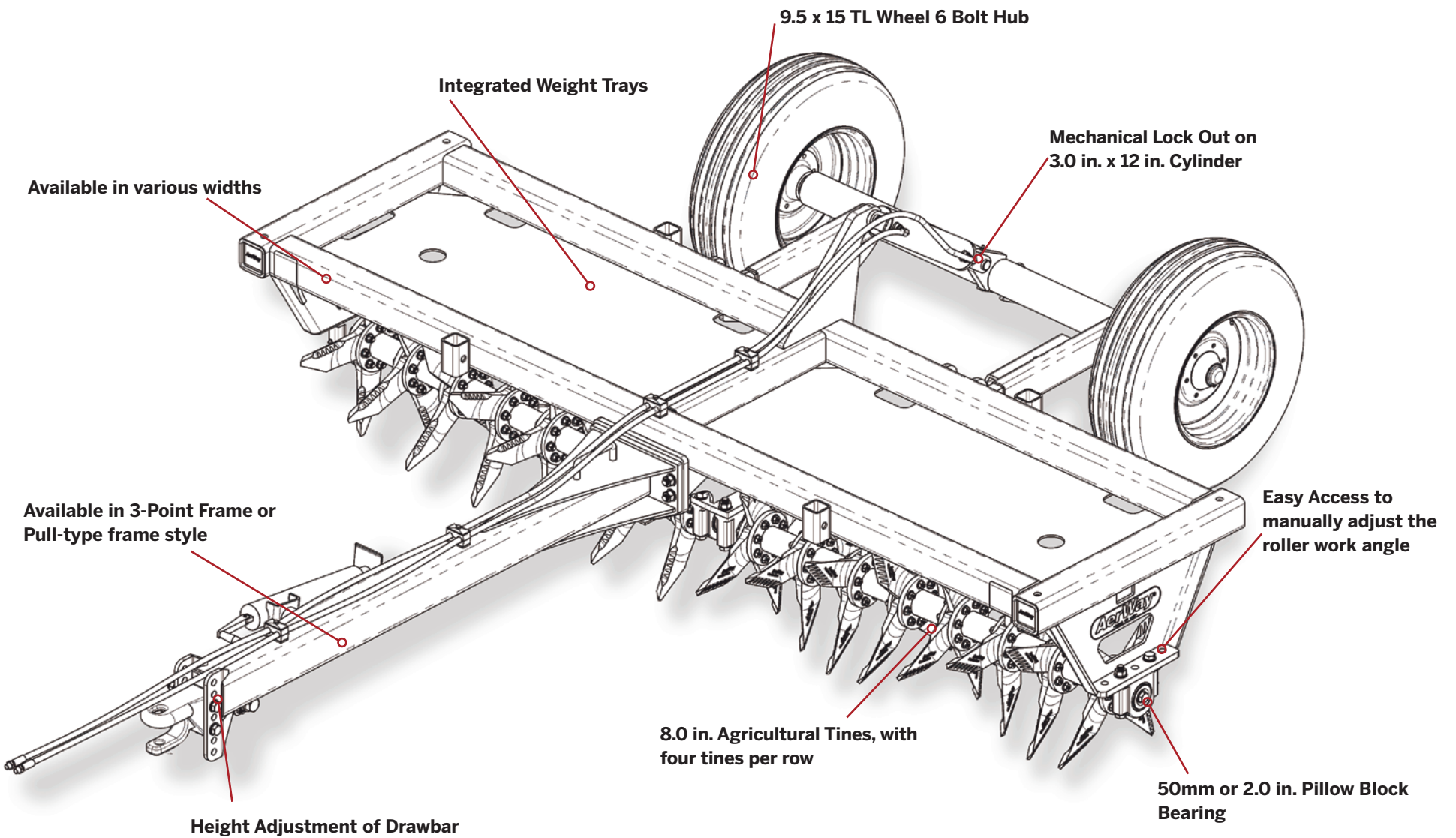
9.5 in. X 15 in. – 8 ply ribbed agricultural tire mounted to six bolt hub. Quantity: Two supplied.

TILLAGE

Rollers adjust from 0°, 2.5° and 5° based on aeration or cultivation

	Model Number	Cultivation Width	Transport Width	# of Tines	Approx. Weight	H.P. Required*(per ft.)
AWM PULL-TYPE	AWMP-063-AG-4	6.25 ft.	6.75 ft. (81 in.)	40	2,000 lbs.	38 - 63
	AWMP-075-AG-4	7.5 ft.	8 ft. (96 in.)	48	2,150 lbs.	45 - 75
	AWMP-100-AG-4	10 ft.	10.5 ft. (126 in.)	64	2,450 lbs.	60 - 100
AWM THREE-POINT	AWM3-063-AG-4	6.25 ft.	6.75 ft. (81 in.)	40	1,200 lbs.	38 - 63
	AWM3-075-AG-4	7.5 ft.	8 ft. (96 in.)	48	1,350 lbs.	45 - 75
	AWM3-100-AG-4	10 ft.	10.5 ft. (126 in.)	64	1,650 lbs.	60 - 100

*Horsepower requirements vary by speed and operating depth.





See our full line of products and find your local dealer at salfordgroup.com or call 1-866-442-1293


@salfordgroup

Products and specifications subject to change without notice and without liability therefore. Images may include optional equipment. Salford® is a registered trademark of Salford Group Inc. Copyright©2023 Salford Group Inc. 2023.03 # 10016959 - LITERATURE, SALFORD, Aerway HAY & PASTURE

SALFORD FIELD YOUR BEST.



ONTARIO, CANADA OSCEOLA, IOWA CORNELIA, GEORGIA ELIE, MANITOBA