



Accessories for ECHO products can be found at:
*Pour obtenir des accessoires pour les produits
ECHO, consulter notre catalogue d'accessoires à:*
<http://www.echo.ca/products/catalogs>

PARTS CATALOG
NOMENCLATURE DES PIÈCES

EGi-1200
Generator
EGi-1200 Générateur



60 cc

SERIAL NUMBER
NUMÉRO DE SÉRIE

EGi-190628-A000001 & UP

ECHO Incorporated

400 Oakwood Road, Lake Zurich, Illinois 60047

WWW.ECHO-USA.COM

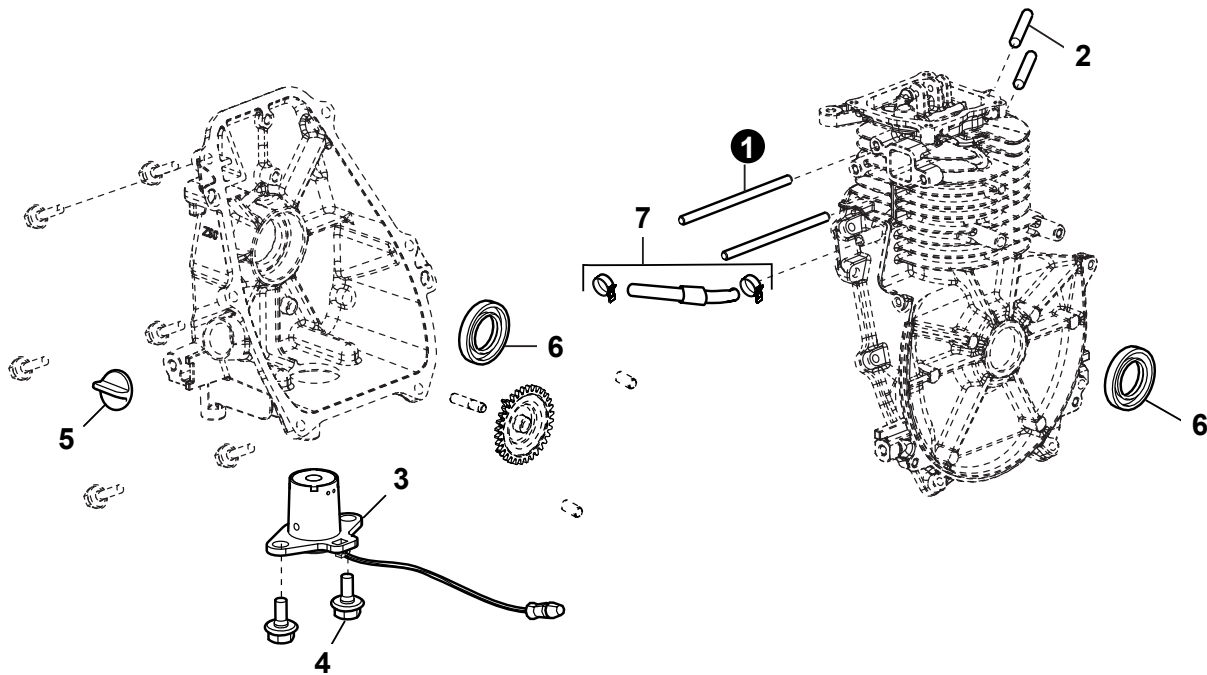
©2020 ECHO Incorporated. All Rights Reserved

P/N 99922205429
REVISED 10/02/20

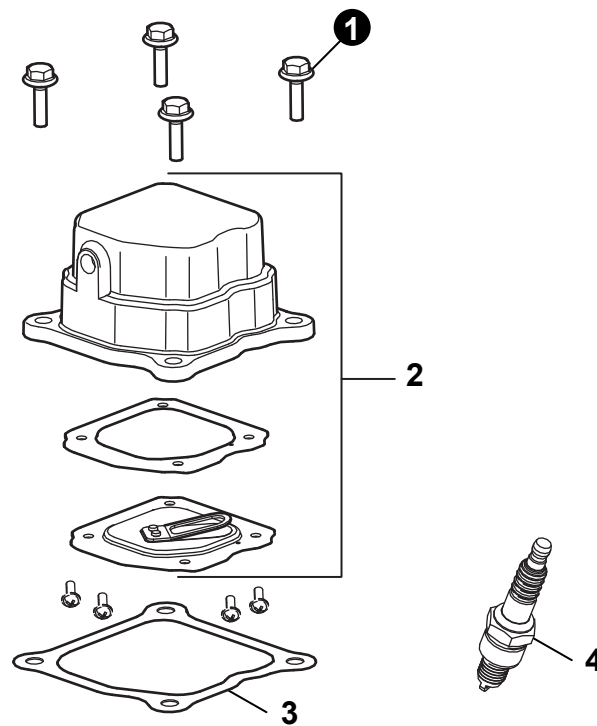
| | |
|---------------------------------------|-----------|
| Engine | 3 |
| Motor | |
| Crankcase Components | 3 |
| Composants de carter | |
| Cylinder Head Components | 4 |
| Composants de la culasse | |
| Valve Train | 5 |
| Train de soupapes | |
| Recoil Starter | 6 |
| Démarrreur à rappel | |
| Carburetor | 7 |
| Carburateur | |
| Ignition | 8 |
| Allumage | |
| Exhaust | 9 |
| Échappement | |
| Fuel System | 10 |
| Circuit de carburant | |
| Control Panel Assembly | 11 |
| Assemblage du panneau de commande | |
| Generator | 12 |
| Générateur | |
| Frame, Panels and Doors | 13 |
| Cadre, panneaux et portes | |
| Supports, Inverter | 14 |
| Supports, inverseur | |
| Decals | 15 |
| Autocollant | |

| NO. | PART NUMBER | QTY. | DESCRIPTION | NOM DE LA PIÈCE |
|-----|-------------|------|-------------|-----------------|
| 1 | YH602000090 | 1 | ENGINE | MOTEUR |

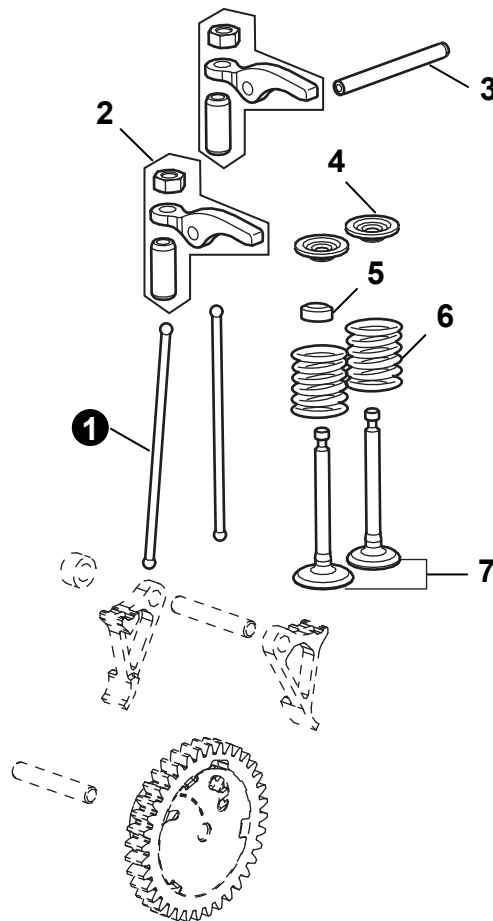
Crankcase Components
Composants de carter



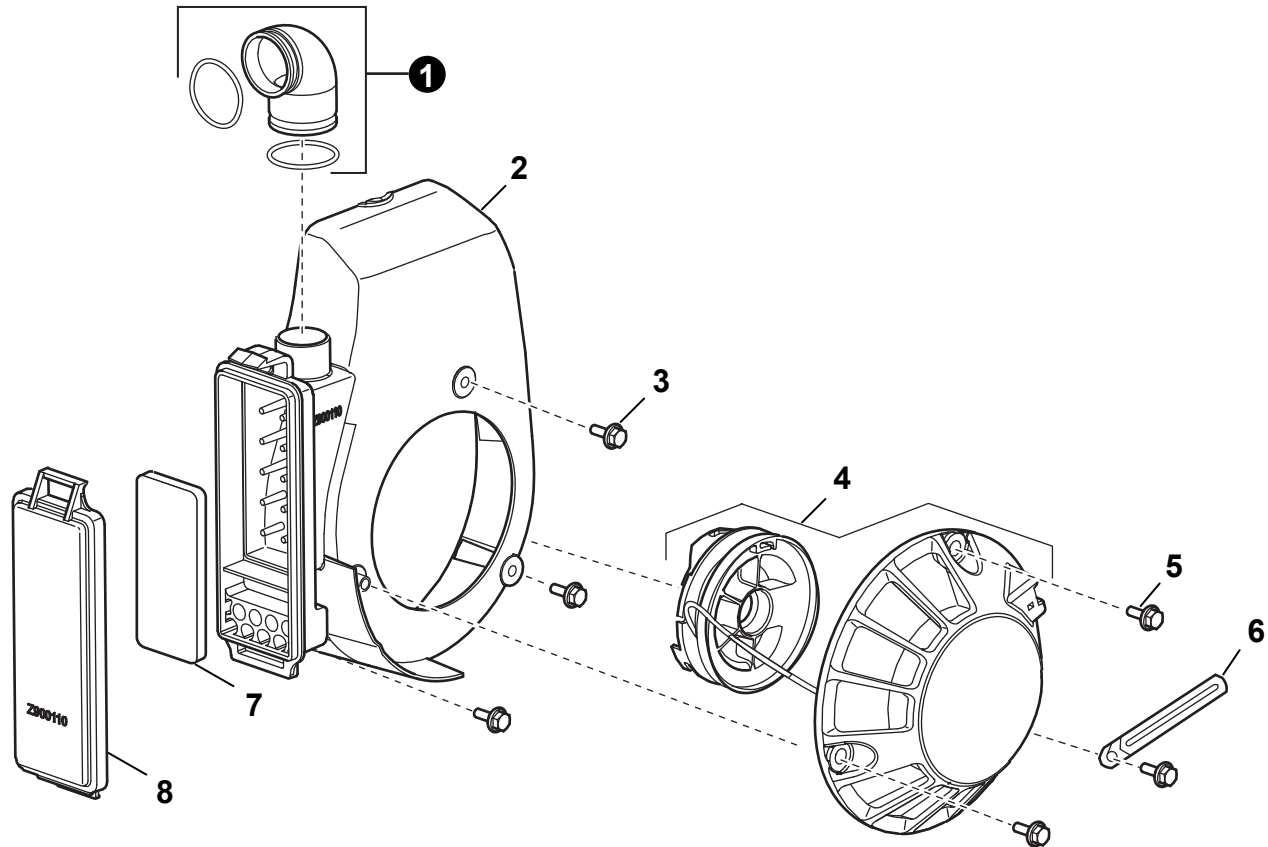
| NO. | PART NUMBER | QTY. | DESCRIPTION | NOM DE LA PIÈCE |
|-----|-------------|------|--------------------|----------------------|
| 1 | YH452000020 | 2 | STUD, EXHAUST | STUD, ECHAPPEMENT |
| 2 | YH452000010 | 2 | STUD, INTAKE | STUD, INTAKE |
| 3 | YH327000000 | 1 | SENSOR, ENGINE OIL | CAPTEUR HUILE MOTEUR |
| 4 | YH435000010 | 2 | BOLT | BOULON |
| 5 | YH468000140 | 1 | PLUG, ENGINE OIL | BOUCHON HUILE MOTEUR |
| 6 | YH468000150 | 2 | SEAL, OIL | L'HUILE DE PHOQUE |
| 7 | YH467000060 | 1 | PIPE ASSY. | PIPE ASSY. |



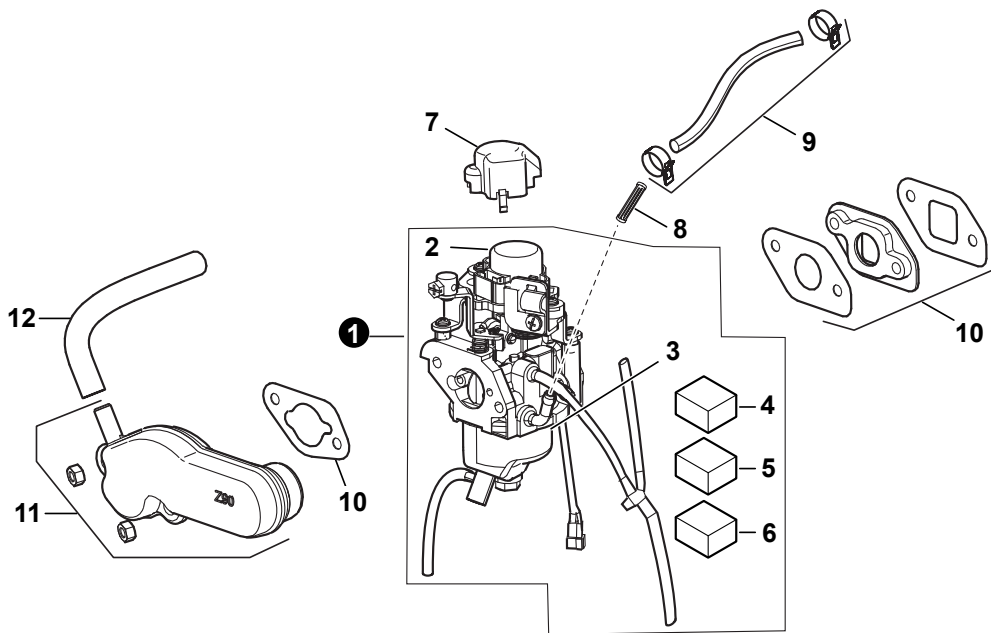
| NO. | PART NUMBER | QTY. | DESCRIPTION | NOM DE LA PIÈCE |
|-----|-------------|------|----------------------|-------------------------------|
| 1 | YH435000020 | 4 | BOLT | BOULON |
| 2 | YH458000010 | 1 | VALVE COVER ASSEMBLY | ENSEMBLE COUVERCLE DE SOUPEPE |
| 3 | YH468000160 | 1 | GASKET, VALVE COVER | JOINT DE COUVERCLE DE SOUPEPE |
| 4 | YH461000040 | 1 | SPARK PLUG | BOUGIE D'ALLUMAGE |



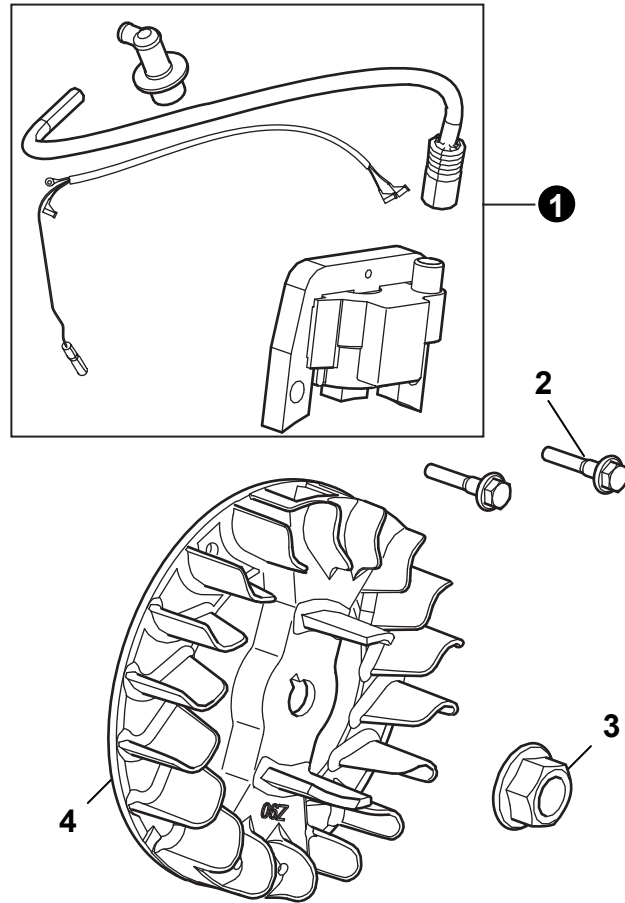
| NO. | PART NUMBER | QTY. | DESCRIPTION | NOM DE LA PIÈCE |
|-----|-------------|------|---------------------------|--|
| 1 | YH458000020 | 2 | ROD, PUSH | TIGE DE POUSSÉE |
| 2 | YH458000080 | 2 | ARM, ROCKER | BRAS ROCKER |
| 3 | YH458000070 | 1 | SHAFT, ROCKER | ARBRE DE ROCKER |
| 4 | YH458000060 | 2 | SEAT, VALVE SPRING | SIÈGE, RESSORT DE SOUPAPE |
| 5 | YH458000050 | 1 | SEAL, GUIDE | SCEAU, GUIDE |
| 6 | YH458000040 | 2 | SPRING, VALVE | RESSORT DE SOUPAPE |
| 7 | YH458000030 | 1 | VALVE KIT, INTAKE/EXHAUST | KIT DE SOUPAPE D'ADMISSION / D'ÉCHAPPEMENT |



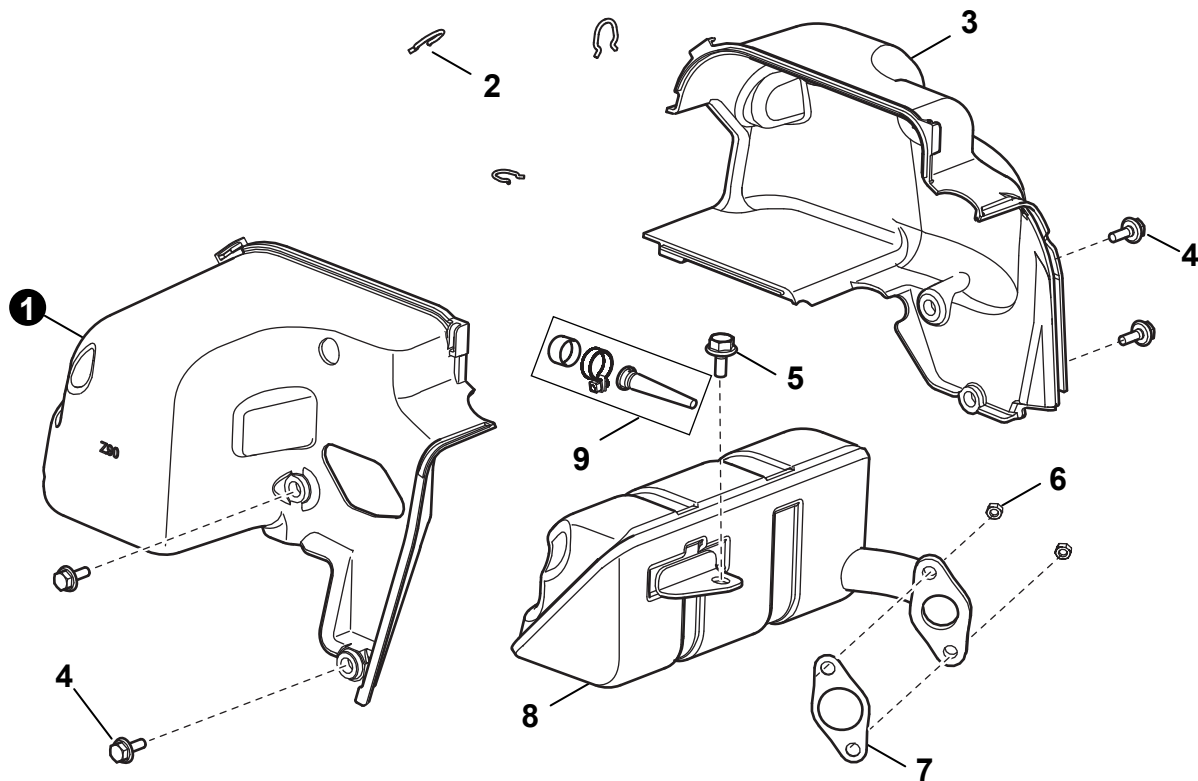
| NO. | PART NUMBER | QTY. | DESCRIPTION | NOM DE LA PIÈCE |
|-----|-------------|------|-----------------------|---------------------------|
| 1 | YH467000070 | 1 | TUBE, INTAKE | TUBE D'ADMISSION |
| 2 | YH479000100 | 1 | SHROUD | ENVELOPPER |
| 3 | YH435000030 | 3 | BOLT | BOULON |
| 4 | YH463000010 | 1 | STARTER ASSY., RECOIL | DEMARREUR ASSY., RECOIL |
| 5 | YH435000030 | 3 | BOLT | BOULON |
| 6 | YH452000030 | 1 | CLIP | AGRAFE |
| 7 | YH465000020 | 1 | FILTER, AIR | FILTRE AIR |
| 8 | YH479000110 | 1 | COVER, AIR FILTER | COUVERCLE DE FILTRE A AIR |



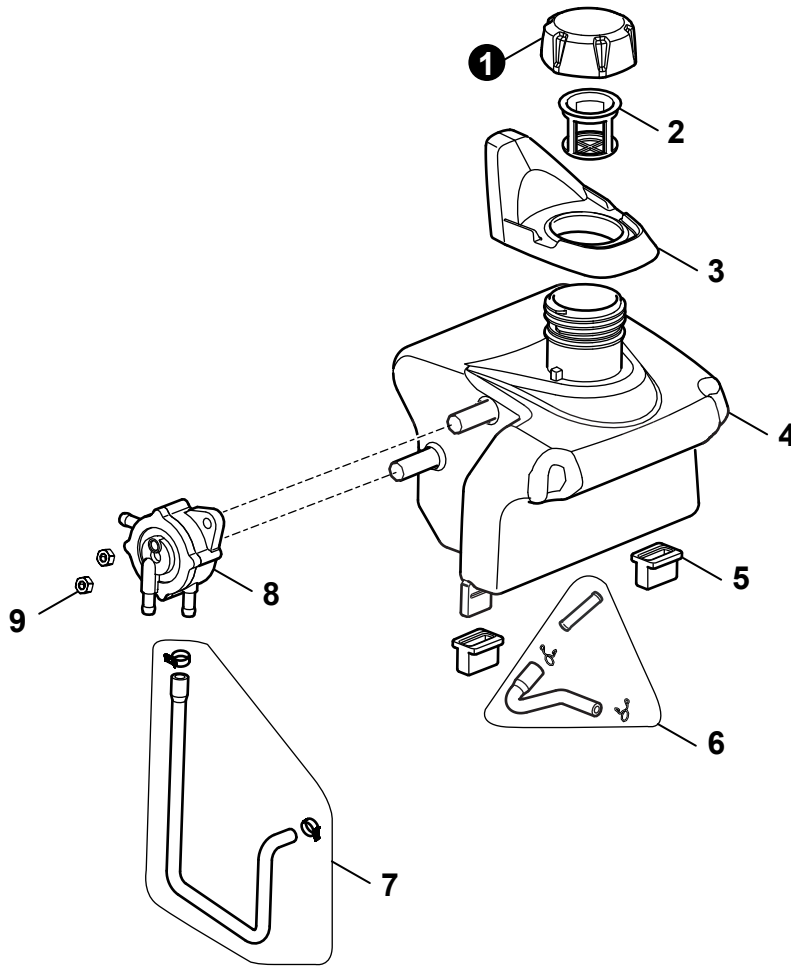
| NO. | PART NUMBER | QTY. | DESCRIPTION | NOM DE LA PIÈCE |
|-----|-------------|------|--------------------------|---------------------------------------|
| 1 | YH459000040 | 1 | CARBURETOR ASSY. | ASSEMBLAGE CARBURATEUR. |
| 2 | YH459000600 | 1 | +MOTOR, STEPPER | +MOTEUR, STEPPER |
| 3 | YH459000520 | 1 | +GASKET, CARB BOWL | +JOINT DE BOL CARB |
| 4 | YH459000360 | 1 | +KIT, BOWL | +KIT DE BOL |
| 5 | YH459000370 | 1 | +KIT, FLOAT | +KIT DE FLOTTEUR |
| 6 | YH459000380 | 1 | +KIT, MAIN JET | +KIT DE JET PRINCIPAL |
| 7 | YH468000180 | 1 | CAP | CASQUETTE |
| 8 | YH465000030 | 1 | STRAINER, FUEL | FILTRE À CARBURANT |
| 9 | YH467000100 | 1 | HOSE, FUEL | TUYAU DE CARBURANT |
| 10 | YH468000170 | 1 | GASKET SET, INTAKE | JOINT LA PRISE |
| 11 | YH467000080 | 1 | DUCT, AIR CLEANER INTAKE | CONDUIT, ADMISSION D'AIR DE NETTOYAGE |
| 12 | YH467000090 | 1 | TUBE, BREATHER | TUBE DE RESPIRATION |



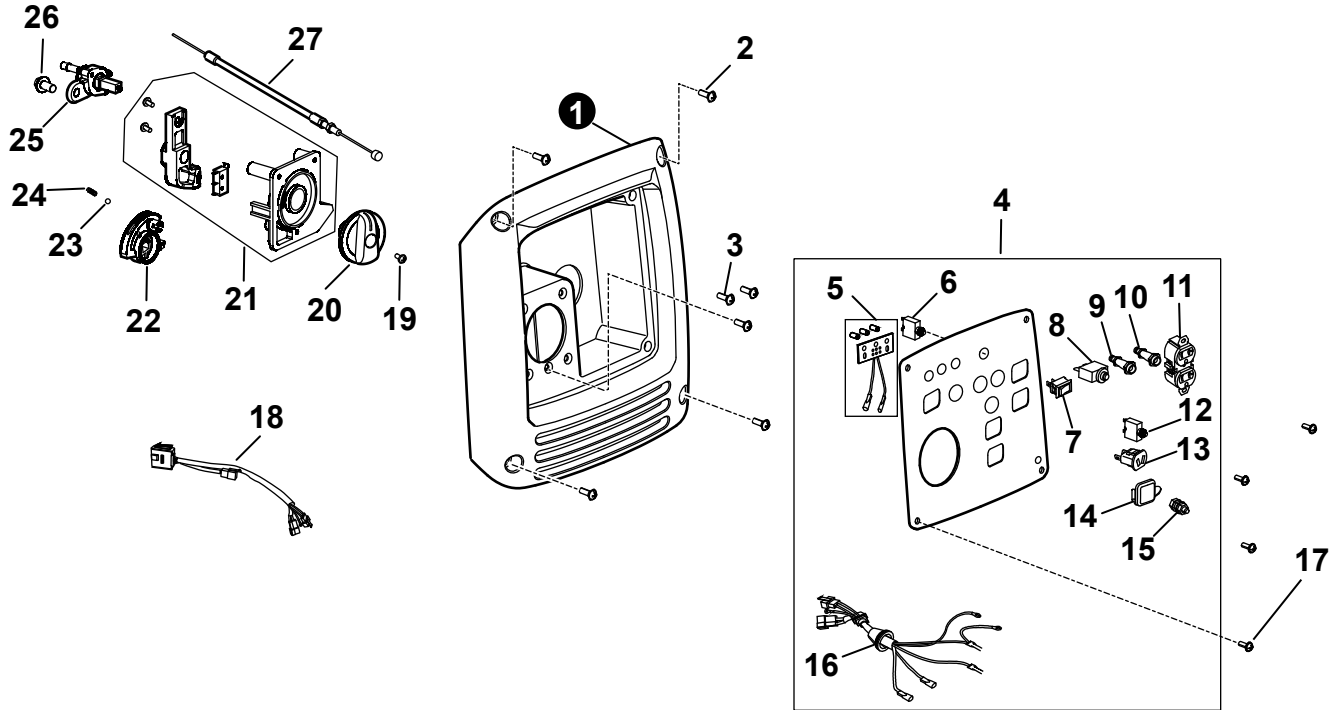
| NO. | PART NUMBER | QTY. | DESCRIPTION | NOM DE LA PIÈCE |
|-----|-------------|------|----------------|-------------------|
| 1 | YH461000060 | 1 | COIL, IGNITION | BOBINE D'ALLUMAGE |
| 2 | YH435000040 | 2 | BOLT | BOULON |
| 3 | YH450000020 | 1 | NUT, FLYWHEEL | ECROU DE VOLANT |
| 4 | YH461000050 | 1 | FLYWHEEL ASSY. | FLYWHEEL ASSY. |



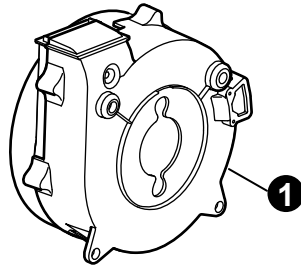
| NO. | PART NUMBER | QTY. | DESCRIPTION | NOM DE LA PIÈCE |
|-----|-------------|------|-------------------------|-----------------------------|
| 1 | YH479000120 | 1 | SHROUD, MUFFLER (LEFT) | SHROUD, SILENCIEUX (GAUCHE) |
| 2 | YH452000040 | 3 | COLLAR | COLLIER |
| 3 | YH479000130 | 1 | SHROUD, MUFFLER (RIGHT) | SHROUD, SILENCIEUX (DROIT) |
| 4 | YH435000030 | 4 | BOLT | BOULON |
| 5 | YH435000010 | 1 | BOLT | BOULON |
| 6 | YH450000030 | 2 | NUT | ÉCROU |
| 7 | YH468000190 | 1 | GASKET, EXHAUST OUTLET | JOINT D'ÉCHAPPEMENT |
| 8 | YH460000040 | 1 | MUFFLER ASSY. | SILENCIEUX ASSY. |
| 9 | YH460000050 | 1 | ARRESTOR, SPARK | ARRESTOR, ÉTINCELLE |



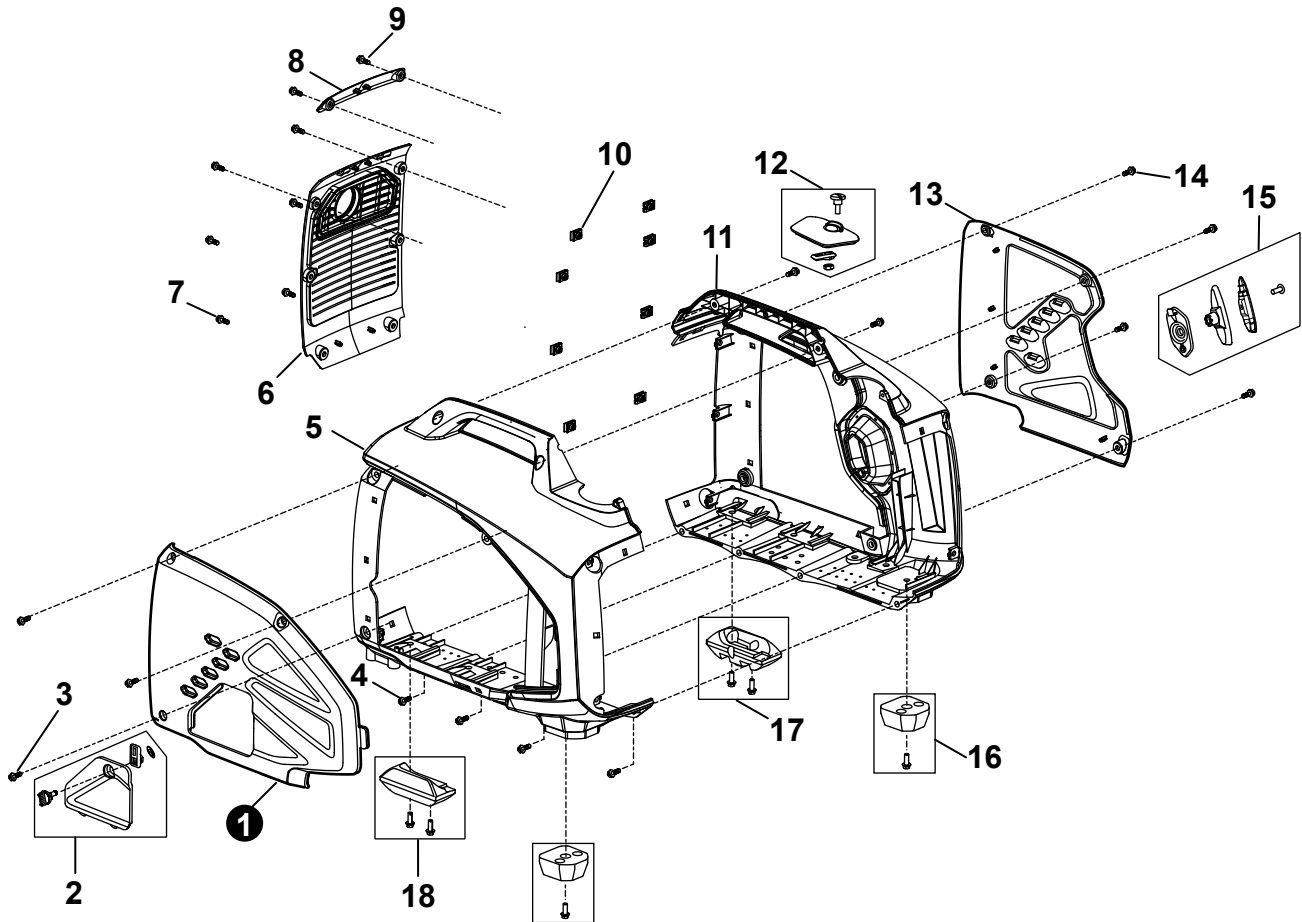
| NO. | PART NUMBER | QTY. | DESCRIPTION | NOM DE LA PIÈCE |
|-----|-------------|------|--------------------------|--|
| 1 | YH468000200 | 1 | CAP, FUEL | CAPUCHON CARBURANT |
| 2 | YH465000040 | 1 | STRAINER, FUEL | FILTRE À CARBURANT |
| 3 | YH479000140 | 1 | COVER, SPILL | COUVERTURE, DÉVERSEMENT |
| 4 | YH455000000 | 1 | TANK, FUEL | RÉSERVOIR DE CARBURANT |
| 5 | YH468000210 | 2 | SLEEVE, FUEL TANK RUBBER | DOUILLE CAOUTCHOUC POUR RESERVOIR DE CARBURANT |
| 6 | YH467000110 | 1 | HOSE, FUEL | TUYAU DE CARBURANT |
| 7 | YH467000120 | 1 | HOSE, FUEL | TUYAU DE CARBURANT |
| 8 | YH459000050 | 1 | PUMP ASSY, GASOLINE | POMPE ASSY, ESSENCE |
| 9 | YH450000040 | 2 | NUT | ÉCROU |



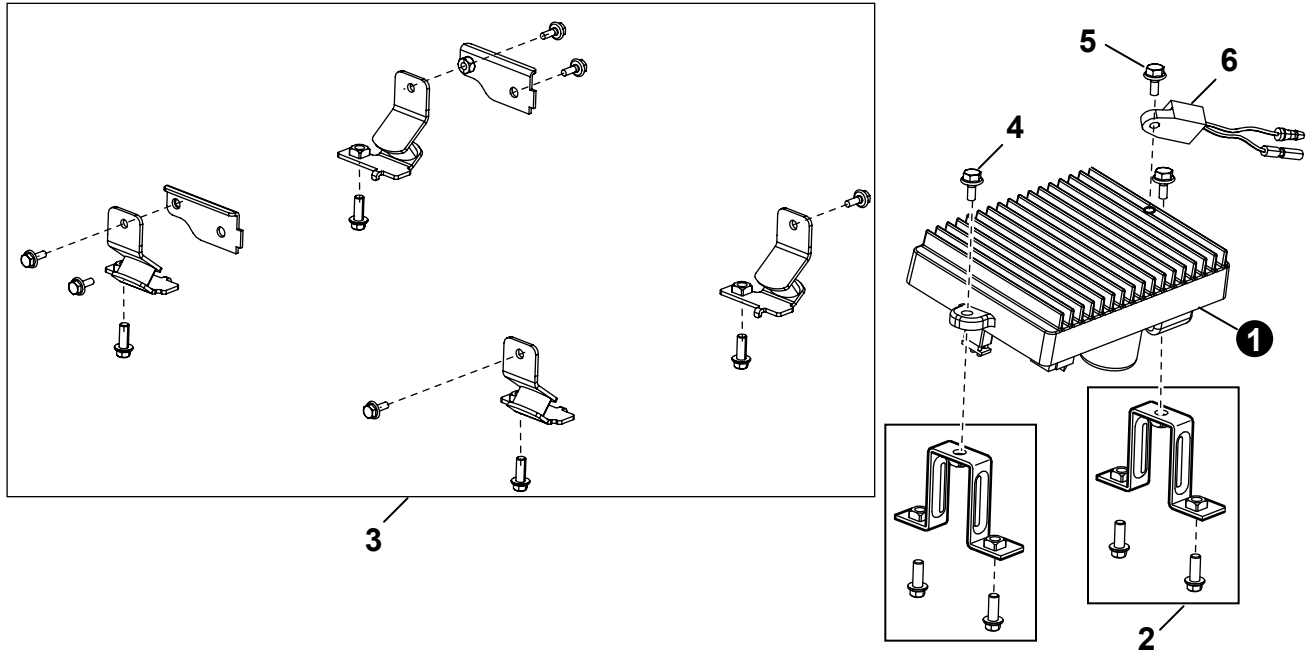
| NO. | PART NUMBER | QTY. | DESCRIPTION | NOM DE LA PIÈCE |
|-----|-------------|------|--------------------------------|--|
| 1 | YH479000160 | 1 | HOUSING, PANEL | LOGEMENT, PANNEAU |
| 2 | YH435000060 | 4 | BOLT | BOULON |
| 3 | YH415000150 | 3 | SCREW, CROSS GROOVE PAN | VIS, PLAT CROISÉ CROISÉ |
| 4 | YH479000150 | 1 | PANEL, CONTROL | PANNEAU DE COMMANDE |
| 5 | YH310000000 | 3 | +INDICATOR ASSY. | +INDICATEUR ASSY. |
| 6 | YH318000000 | 1 | +BREAKER, CIRCUIT | +DISJONCTEUR CIRCUIT |
| 7 | YH321000010 | 1 | +SWITCH, AUTO THROTTLE | +COMMUTATEUR AUTO THROTTLE |
| 8 | YH321000020 | 1 | +SWITCH, RESET | +COMMUTATEUR, RESET |
| 9 | YH304000000 | 1 | +SOCKET, PARALELL (RED) | +DOUILLE PARALELLE (ROUGE) |
| 10 | YH304000010 | 1 | +SOCKET, PARALELL (BLACK) | +DOUILLE PARALELLE (NOIRE) |
| 11 | YH304000020 | 1 | +SOCKET, POWER SUPPLY | +DOUILLE D'ALIMENTATION |
| 12 | YH321000030 | 1 | +SWITCH, DC CHARGE RESET | +COMMUTATEUR RESET DC |
| 13 | YH304000030 | 1 | +SOCKET, D.C. CHARGE | +DOUILLE CHARGE CC |
| 14 | YH304000040 | 1 | +SOCKET, USB PORT | +DOUILLE, PORT USB |
| 15 | YH304000050 | 1 | +TERMINAL, GROUND BOLT | +BORNE DE TERRE |
| 16 | YH601000000 | 1 | +HARNESS, CONTROL PANEL WIRING | +HARNAIS, CABLAGE DU PANNEAU DE COMMANDE |
| 17 | YH415000140 | 4 | SCREW, CROSS GROOVE PAN | VIS, PLAT CROISÉ CROISÉ |
| 18 | YH314000000 | 1 | REGULATOR, VOLTAGE | REGULATEUR DE TENSION |
| 19 | YH415000160 | 1 | SCREW | VIS |
| 20 | YH470000090 | 1 | KNOB | BOUTON |
| 21 | YH321000000 | 1 | SWITCH ASSY. | CHANGER D'ASSY. |
| 22 | YH479000170 | 1 | COVER, BOARD | COUVERTURE DE CONSEIL |
| 23 | YH453000010 | 1 | BALL, STEEL | BOULE EN ACIER |
| 24 | YH476000040 | 1 | SPRING, STOPPER ADJUSTING | RESSORT, AJUSTEMENT DE BUTOIR |
| 25 | YH470000110 | 1 | VALVE, FUEL SHUT OFF | ROBINET ARRET DE CARBURANT |
| 26 | YH435000070 | 1 | BOLT | BOULON |
| 27 | YH470000100 | 1 | CABLE, CHOKE | CABLE, CHOKE |



| NO. | PART NUMBER | QTY. | DESCRIPTION | NOM DE LA PIÈCE |
|-----|-------------|------|-----------------|------------------|
| 1 | YH603000000 | 1 | GENERATOR ASSY. | GÉNÉRATEUR ASSY. |



| NO. | PART NUMBER | QTY. | DESCRIPTION | NOM DE LA PIÈCE |
|-----|-------------|------|------------------------------|------------------------------|
| 1 | YH479000180 | 1 | PANEL, LEFT SIDE | PANNEAU GAUCHE |
| 2 | YH479000250 | 1 | DOOR, LEFT MAINTENANCE | PORTE ENTRETIEN GAUCHE |
| 3 | YH435000080 | 3 | BOLT | BOULON |
| 4 | YH435000080 | 6 | BOLT | BOULON |
| 5 | YH479000200 | 1 | HOUSING, LEFT SIDE | LOGEMENT, CÔTÉ GAUCHE |
| 6 | YH479000230 | 1 | COVER, MUFFLER SIDE | COUVERCLE DE CÔTÉ SILENCIEUX |
| 7 | YH435000090 | 6 | BOLT | BOULON |
| 8 | YH479000240 | 1 | PLATE, BRANDING | PLAQUE DE MARQUE |
| 9 | YH435000090 | 2 | BOLT | BOULON |
| 10 | YH450000050 | 8 | NUT | ÉCROU |
| 11 | YH479000210 | 1 | HOUSING, RIGHT SIDE | LOGEMENT, CÔTÉ DROIT |
| 12 | YH479000220 | 1 | DOOR, SPARK PLUG MAINTENANCE | PORTE, ENTRETIEN BOUGIE |
| 13 | YH479000190 | 1 | PANEL, RIGHT SIDE | PANNEAU CÔTÉ DROIT |
| 14 | YH435000080 | 4 | BOLT | BOULON |
| 15 | YH463000020 | 1 | ROPE GUIDE ASSY., STARTING | CORDE GUIDE ASSY., DEMARRAGE |
| 16 | YH468000220 | 2 | FOOT, FRAME SUPPORT | PIED, SUPPORT DE CADRE |
| 17 | YH468000240 | 1 | FOOT, FRAME SUPPORT (RIGHT) | PIED, SUPPORT DE CADRE |
| 18 | YH468000230 | 1 | FOOT, FRAME SUPPORT (LEFT) | PIED, SUPPORT DE CADRE |



| NO. | PART NUMBER | QTY. | DESCRIPTION | NOM DE LA PIÈCE |
|-----|-------------|------|---------------------|-----------------------|
| 1 | YH315000000 | 1 | INVERTOR | INVERSEUR |
| 2 | YH468000250 | 1 | FRAME, INVERTER | CADRE INVERTER |
| 3 | YH468000260 | 1 | KIT, ENGINE SUPPORT | KIT DE SUPPORT MOTEUR |
| 4 | YH435000100 | 2 | BOLT | BOULON |
| 5 | YH435000110 | 1 | BOLT | BOULON |
| 6 | YH327000010 | 1 | PROTECTOR, OIL | PROTECTEUR D'HUILE |



| NO. | PART NUMBER | QTY. | DESCRIPTION | NOM DE LA PIÈCE |
|-----|-------------|------|------------------------------|-----------------------------------|
| 1 | YH653001090 | 1 | SET, EGI-1200 COMPLETE DECAL | SET, AUTOCOLLANT COMPLET EGI-1200 |