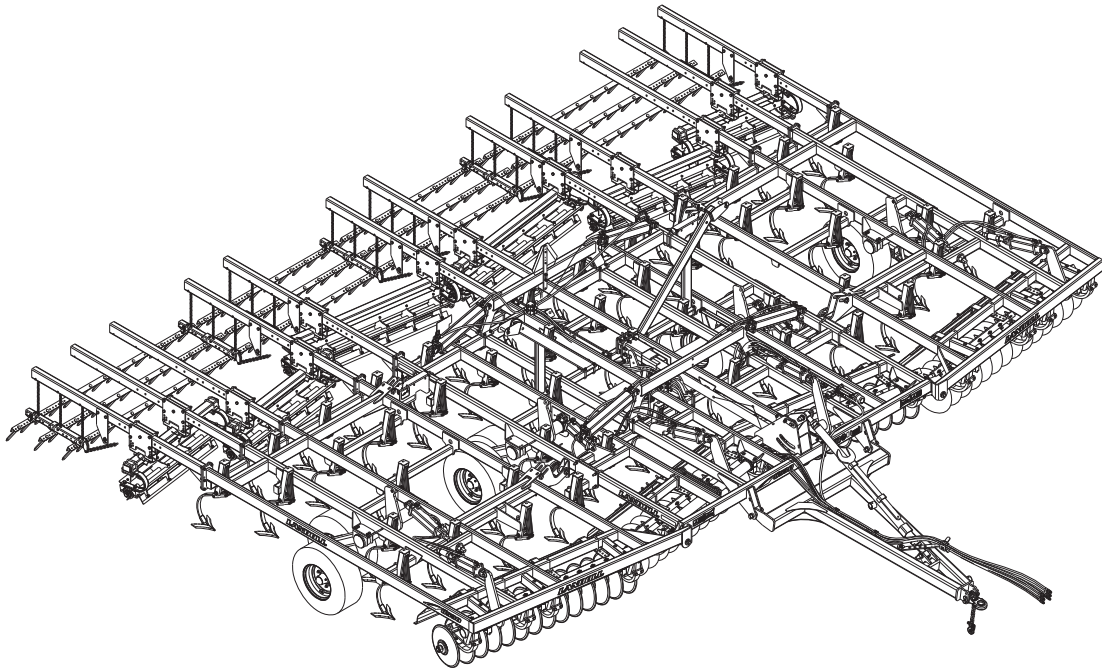




Model 8530 Finisholl Parts Manual



LANDOLL COMPANY, LLC

1900 North Street

Marysville, Kansas 66508

(785) 562-5381

800-428-5655 ~ WWW.LANDOLL.COM

Manuals for the 8530 Finisholl

MANUAL NUMBER	MANUAL NAME
F-756	8530 Finisholl Operator's Manual
F-755	8530 Finisholl Parts Manual

Table of Contents

1 Illustrated Parts List

Instructions for Ordering Parts	1-1
Center Frames	1-2
Center Frame Assembly 19'-25'	1-3
Center Frame Assembly 27'-30'	1-5
Center Frame Assembly 33'-35'	1-7
Wing Frames	1-8
Wing Frame Assembly 19'	1-8
Wing Frame Assembly 22'-27'	1-9
Wing Frame Assembly 30'-35'	1-11
Center Lift Assembly 19'-25'	1-13
Center Lift Assembly 27'-30'	1-15
Center Lift Assembly 33'-35'	1-17
Wing Lifts	1-18
Wing Lift Assembly 19'	1-19
Wing Lift Assembly 22'-27'	1-21
Wing Lift Assembly 30'-35'	1-23
Hub & Spindles	1-24
Hub and Spindle Assembly - 156972	1-25
Hub and Spindle Assembly - 223440	1-27
Hub and Spindle Assembly - 8 Bolt (2-1/4")	1-28
Hitches & Leveling System	1-30
Hitch and Leveling Linkage Assembly	1-31
10,000 LB. Sidewind Jack Assembly	1-32
Leveler Assembly - Spring	1-33
Depth Stop Tube Assembly	1-35
Radius Rod Assembly - 2	1-37
Disc Gangs Assemblies	1-38
Disc Gang Assembly - 22" 4GA	1-39
Depth Gauge Assembly	1-41
Disc Gang Shields	1-42
Disc Gang Shield - Center Frame 19'-30'	1-42
Disc Gang Shield - Center Frame 33'-35'	1-43
Disc Gang Shield - Wing	1-45
Gang Assemblies	1-46
Gang Assembly 22" 4 GA - 19'	1-46
Gang Assembly 22" 4 GA - 22'	1-47
Gang Assembly 22" 4 GA - 25'	1-48
Gang Assembly 22" 4 GA - 27'	1-49
Gang Assembly 22" 4 GA - 30'	1-50
Gang Assembly 22" 4 GA - 33'	1-51
Gang Assembly 22" 4 GA - 35'	1-52
Disc Gang Reel Assemblies	1-53
Disc Gang Reel Assembly - 19'	1-53

Disc Gang Reel Assembly - 22'	1-54
Disc Gang Reel Assembly - 25'	1-55
Disc Gang Reel Assembly - 27'	1-56
Disc Gang Reel Assembly - 30'	1-57
Disc Gang Reel Assembly - 33'	1-58
Disc Gang Reel Assembly - 35'	1-59
Disc Gang Reel Arm Assembly	1-60
Reel Assembly Hub	1-63
Shank Assemblies	1-64
Spring Shank Assembly	1-65
S-Tine Shank Assembly	1-67
Lift Hydraulics	1-68
Lift Hydraulic Assembly - 19'-25'	1-69
Lift Hydraulic Assembly - 27'-30'	1-71
Lift Hydraulic Assembly - 33'-35'	1-73
Fold Hydraulics	1-74
Fold Hydraulic Assembly - 19'	1-75
Fold Hydraulic Assembly - 22'-25'	1-77
Fold Hydraulic Assembly - 27'-30'	1-79
Fold Hydraulic Assembly - 33'-35'	1-81
Hydraulic Gangs	1-82
Hydraulic Gangs - 19'-25'	1-83
Hydraulic Gangs - 27'-30'	1-85
Hydraulic Gangs - 33'-35'	1-87
Cylinders	1-88
Cylinder - Rephase Assembly - 3-1/4 X 8	1-88
Cylinder - Rephase Assembly - 3-1/2 X 8	1-89
Cylinder - Rephase Assembly - 3-3/4 X 8	1-90
Cylinder - Rephase Assembly - 4 X 8	1-91
Cylinder - Rephase Assembly - 3-3/4 X 10 (1" Pin)	1-92
Cylinder - Rephase Assembly - 4 X 10 (1" Pin)	1-93
Cylinder - 4 X 24	1-94
Cylinder - 4-1/2 X 24	1-95
Electrical	1-96
Electrical Assembly W/ LED Lights	1-98
Decals	1-99
Decal Arrangement & Locations	1-101
4 Row Coil Tines	1-102
4 Row Coil Tine - 19'	1-102
4 Row Coil Tine - 22'	1-103
4 Row Coil Tine - 25'	1-104
4 Row Coil Tine - 27'	1-105
4 Row Coil Tine - 30'	1-106
4 Row Coil Tine - 33'	1-107
4 Row Coil Tine - 35'	1-108
Coil Tine Harrow Arm Assembly	1-111
4 Row Coil Tine Harrow Assembly	1-113
3 Row Tine & Reels	1-114
3 Row Tine & Reel - 19'	1-114

3 Row Tine & Reel - 22'	1-115
3 Row Tine & Reel - 25'	1-116
3 Row Tine & Reel - 27'	1-117
3 Row Tine & Reel - 30'	1-118
3 Row Tine & Reel - 33'	1-119
3 Row Tine & Reel - 35'	1-120
Tine & Reel Arm Assembly	1-123
3 Row Coil Tine Harrow Assembly	1-125
5 Row Spike Harrows	1-126
5 Row Spike Harrow - 19'	1-126
5 Row Spike Harrow - 22'	1-127
5 Row Spike Harrow - 25'	1-128
5 Row Spike Harrow - 27'	1-129
5 Row Spike Harrow - 30'	1-130
5 Row Spike Harrow - 33'	1-131
5 Row Spike Harrow - 35'	1-132
Arm Assembly - 5 Row Spike Harrow	1-135
3 Row Spike & Reels	1-136
3 Row Spike & Reel - 19'	1-136
3 Row Spike & Reel - 22'	1-137
3 Row Spike & Reel - 25'	1-138
3 Row Spike & Reel - 27'	1-139
3 Row Spike & Reel - 30'	1-140
3 Row Spike & Reel - 33'	1-141
3 Row Spike & Reel - 35'	1-142
Reel Assembly	1-145
3 RSD and Flat Reels	1-146
3 RSD and Flat Reel - 19'	1-146
3 RSD and Flat Reel - 22'	1-147
3 RSD and Flat Reel - 25'	1-148
3 RSD and Flat Reel - 27'	1-149
3 RSD and Flat Reel - 30'	1-150
3 RSD and Flat Reel - 33'	1-151
3 RSD and Flat Reel - 35'	1-152
Flat Reel Assembly	1-155
Spike Bar Assembly, 9 SP	1-157
3 RSD Arm Assembly	1-159
3 RSD Arm Assembly W/O Spring	1-161
Spike & Double Reels	1-162
Spike & Double Reel - 19'	1-162
Spike & Double Reel - 22'	1-163
Spike & Double Reel - 25'	1-164
Spike & Double Reel - 27'	1-165
Spike & Double Reel - 30'	1-166
Spike & Double Reel - 33'	1-167
Spike & Double Reel - 35'	1-168
Harrow Arm Assembly - Double Reel	1-171
Spike Bar Assembly, 7-16 Tooth, Tube	1-173
Chopper & 3 Row Spikes	1-174
Chopper & 3 Row Spike - 19'	1-174

Chopper & 3 Row Spike - 22' 1-175
Chopper & 3 Row Spike - 25' 1-176
Chopper & 3 Row Spike - 27' 1-177
Chopper & 3 Row Spike - 30' 1-178
Chopper & 3 Row Spike - 33' 1-179
Chopper & 3 Row Spike - 35' 1-180
Arm Assembly - Chopper Reel 1-183
Arm Assembly - Chopper Reel w/o Chain 1-185
Reel & Gangbar Assembly 1-187

2 Index

Illustrated Parts List

Instructions for Ordering Parts

**** Repair parts must be ordered through an authorized dealer ****

DEALER INSTRUCTIONS FOR ORDERING PARTS FROM LANDOLL PARTS DISTRIBUTION CENTER

PHONE #: 800-423-4320 OR 785-562-5381

FAX #: 888-527-3909

ORDER ONLINE: Dealer.landoll.com

IDENTIFICATION PLATE

See [Figure 1-1](#) for the Identification Plate, which lists the model and serial number of the equipment. It is located on the right front side of the 8530 Finisholl.

SERIAL NUMBER NOMENCLATURE

The serial number for the 8530 Finisholl is located on the identification plate.

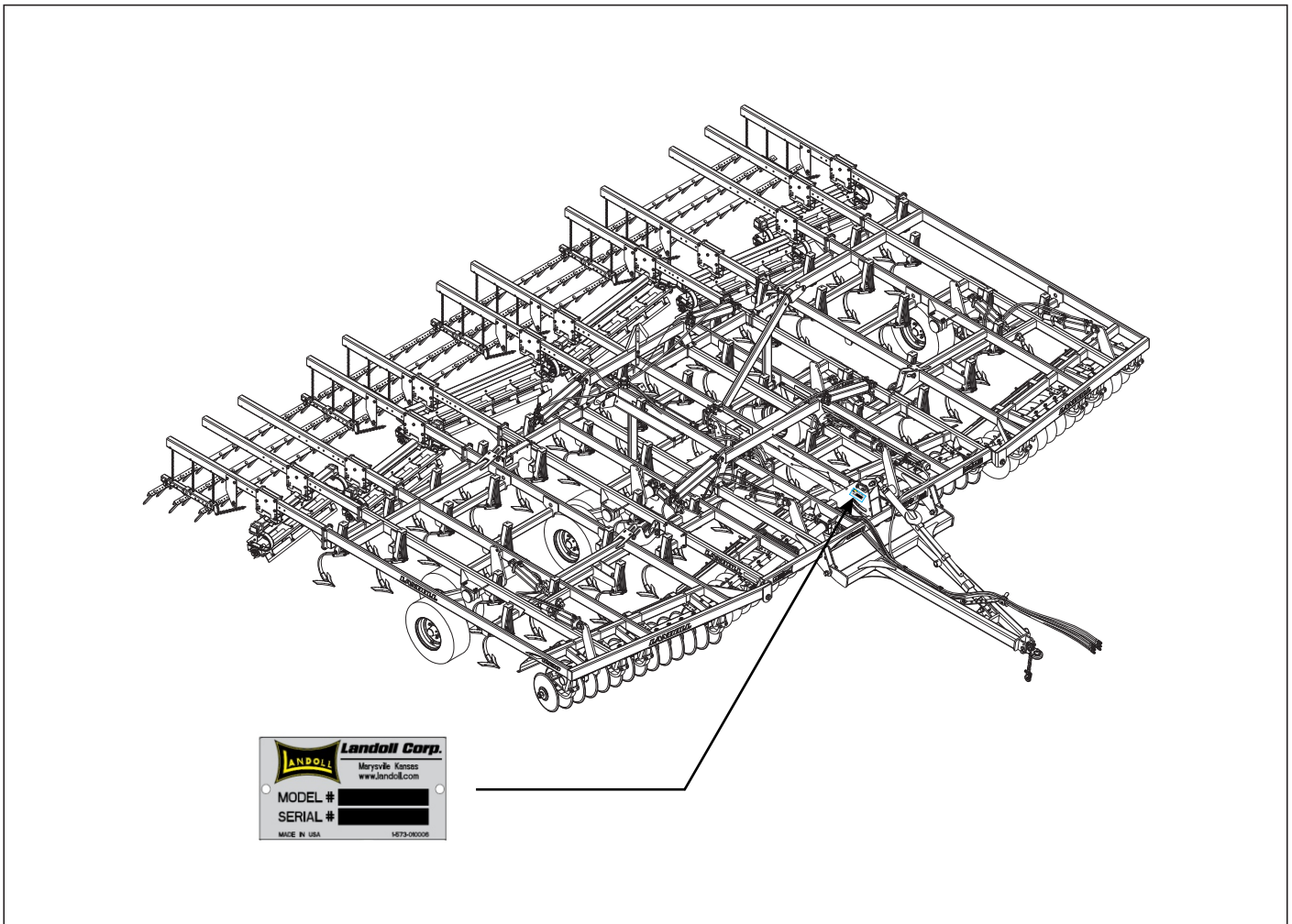


Figure 1-1: Identification Plate

Center Frames

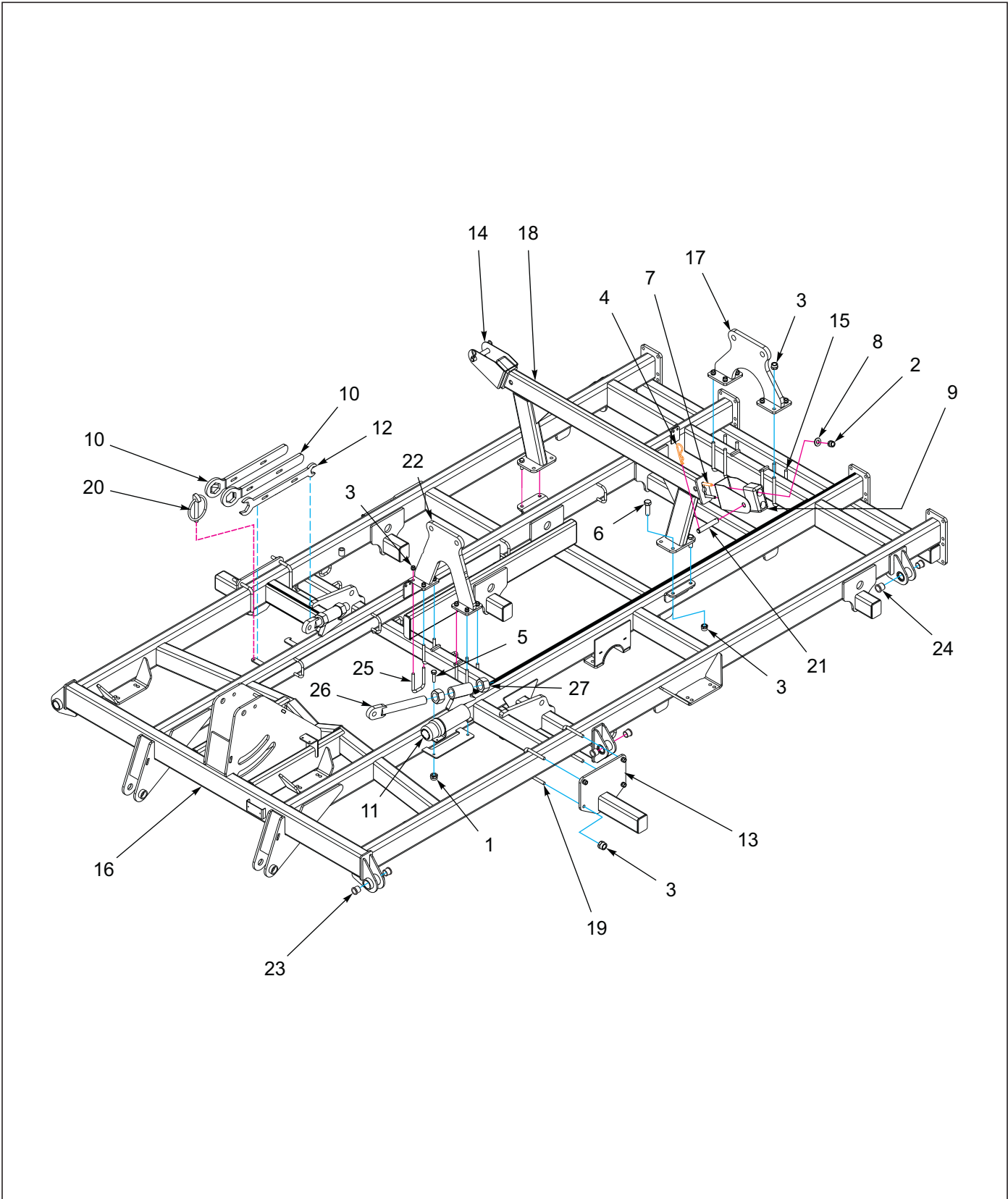


Figure 1-2: Center Frame Assembly 19'-25'

Center Frame Assembly 19'-25'

ITEM	PART NO.	DESCRIPTION	QTY.
1	1-512-010005-01	NUT, HEX, SLFLKG, GRB 1/4-20	2
2	1-512-010005-09	NUT, HEX, SLFLKG, 1/2-13 GRB	4
3	1-512-010005-13	NUT, HEX, SLFLKG, GRB 5/8-11	20
4	1-557-010013	PIN, HAIR 3/16 DIA	4
5	1-654-010047-06	SCREW, HEX CAP, 1/4-20 UNC X 1 GR5	2
6	1-654-010059-05	SCREW, HEX CAP, 5/8-11 UNC X 2 GR5	4
7	1-654-010070-11	SCREW, RDHD, SQNCK 1/2-13 X 3-1/2	4
8	1-861-010032-14	WASHER, FLAT 1/2" N ZP/CD	4
9	128874	BUMPER, RUBBER 6 X 3 X 3-1/2	2
10	140533	GANG WRENCH	2
11	142753	MANUAL HOLDER	1
12	174404	WRENCH, ADJUSTMENT	1
13	182391	EXTENSION, SHANK 12"	2
14	182409	BRACKET, WING LOCK	2
15	182420	U-BOLT, 5/8-11 X 7-1/2 X 3-11/16	4
16	183973	FRAME, CENTER 19-25	1
17	183990	MOUNT, FOLD CYLINDER 19'-25'	1
18	185646	WING STABILIZER 19'-25'	1
19	189433	U BOLT, CENTER SHANK MOUNT	4
20	70239854	PIN, QUICK HITCH	1
21	8-557-010149	PIN, 1 DIA X 6	2
22	185644	MOUNT, FOLD CYLINDER, 22'-25'	1
23	140599	BEARING, FLANGE, 1-1/2	2
24	168787	BEARING, FLANGE, 1-1/4	2
25	2-102-010054	U-BOLT	4
26	159955	ROD, CYLINDER ANCHOR (AFTER 11-30-2016)	2
27	159954	NUT HEX 1-3/4-5UNC GR2 (AFTER 11-30-2016)	4

ILLUSTRATED PARTS LIST

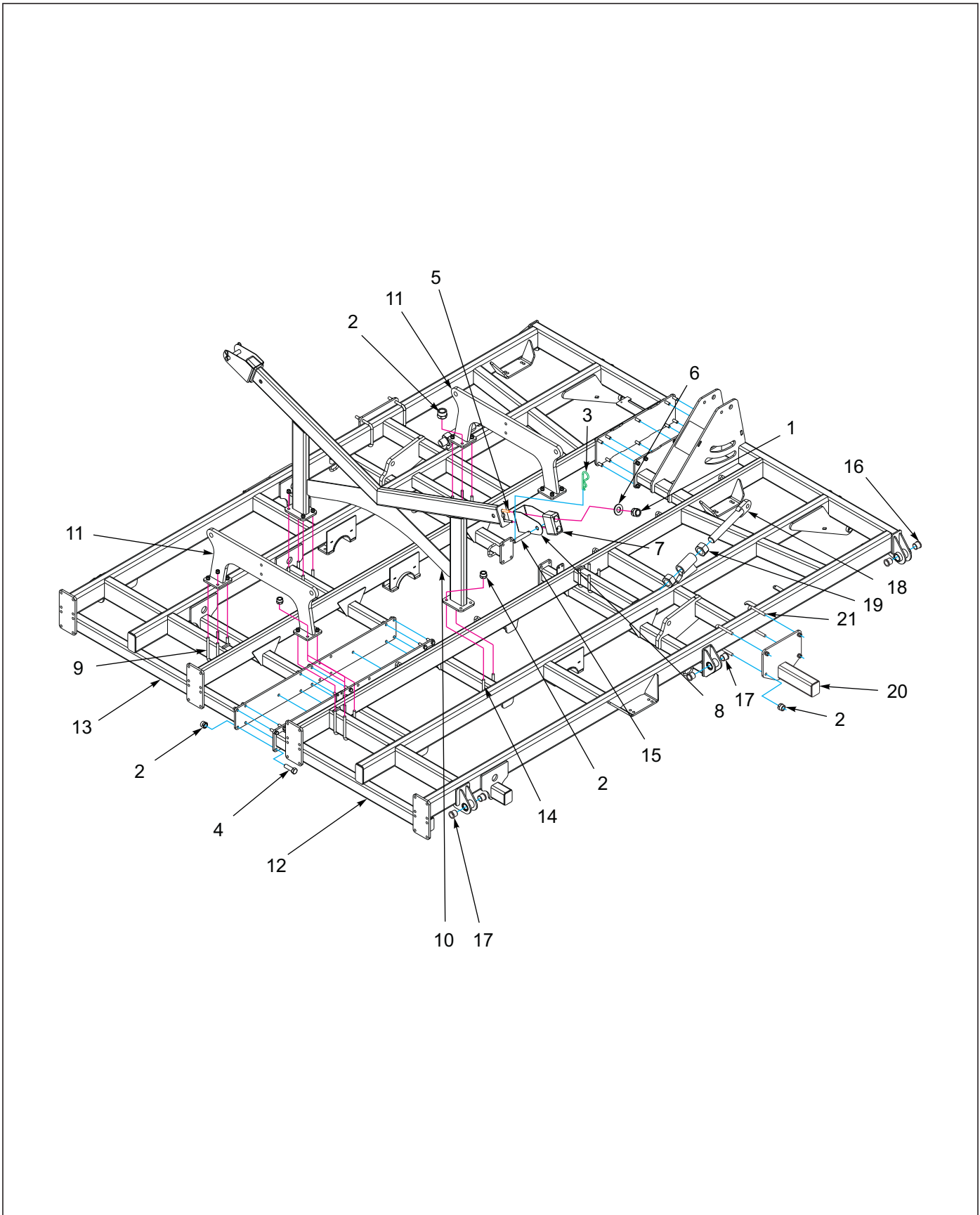


Figure 1-3: Center Frame Assembly 27'- 30'

Center Frame Assembly 27'-30'

ITEM	PART NO.	DESCRIPTION	QTY.
1	1-512-010005-09	NUT, HEX, SLFLKG, 1/2-13 GRB	4
2	1-512-010005-13	NUT, HEX, SLFLKG, GRB 5/8-11	54
3	1-557-010013	PIN, HAIR 3/16 DIA	4
4	1-654-010059-05	SCREW, HEX CAP, 5/8-11 UNC X 2 GR5	24
5	1-654-010070-11	SCREW, RDHD, SQNCK 1/2-13 X 3-1/2	4
6	1-861-010032-14	WASHER, FLAT 1/2" N ZP/CD	4
7	128874	BUMPER, RUBBER 6 X 3 X 3-1/2	2
8	182409	BRACKET, WING LOCK	2
9	182420	U-BOLT 5/8-11 X 7-1/2 X 3-11/16	4
10	183883	WING STABILIZER 27-30	1
11	183885	MOUNT, FOLD CYLINDER 27'-30'	2
12	185684	FRAME, CENTER RIGHT 27'-30'	1
13	185685	FRAME, CENTER LEFT 27'-30'	1
14	2-102-010054	U-BOLT	7
15	8-557-010149	PIN 1 DIA X 6	2
16	140599	BEARING, FLANGE, 1-1/2	2
17	168787	BEARING, FLANGE, 1-1/4	4
18	159955	ROD, CYLINDER ANCHOR (AFTER 11-30-2016)	2
19	159954	NUT HEX 1-3/4-5UNC GR2 (AFTER 11-30-2016)	4
20	182391	EXTENSION, SHANK 12"	2
21	189433	U BOLT, CENTER SHANK MOUNT	4

ILLUSTRATED PARTS LIST

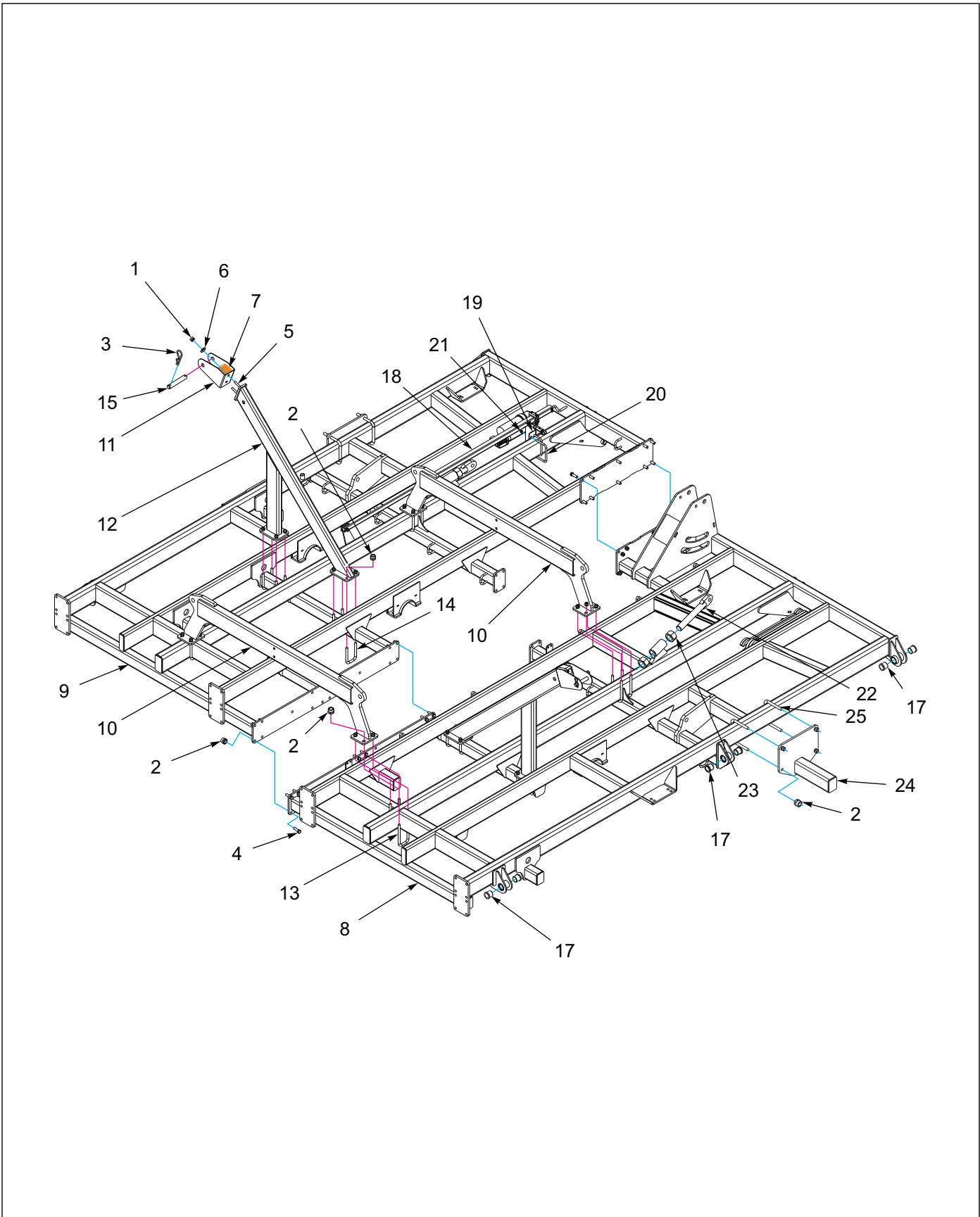


Figure 1-4: Center Frame Assembly 33'-35'

Center Frame Assembly 33'-35'

ITEM	PART NO.	DESCRIPTION	QTY.
1	1-512-010005-09	NUT, HEX, SLFLKG, 1/2-13 UNC, GRB	4
2	1-512-010005-13	NUT, HEX, SLFLKG, 5/8-11 UNC, GRB	64
3	1-557-010013	PIN, HAIR 3/16 DIA	4
4	1-654-010059-05	SCREW, HEX, 5/8-11 UNC X 2 GR5	24
5	1-654-010070-11	SCREW, RDH, SQ NCK, 1/2-13 X 3-1/2	4
6	1-861-010032-14	WASHER, FLAT, ZP/CD, 1/2N	4
7	128874	BUMPER, RUBBER 6 X3 X 3-1/2	2
8	179651	FRAME, CENTER RIGHT	1
9	179652	FRAME, CENTER LEFT	1
10	181601	MOUNT, FOLD CYLINDER	2
11	182409	BRACKET, WING LOCK	2
12	182410	WING STABILIZER, 8530, 33-35	2
13	182420	U-BOLT, 5/8-11 X 7-1/2 X 3-11/16	8
14	2-102-010054	U-BOLT	8
15	8-557-010149	PIN, 11 DIA X 6	2
16	140599	BEARING, FLANGE, 1-1/2	2
17	168787	BEARING, FLANGE, 1-1/4	2
18	180120	DEPTH STOP ASSEMBLY (SEE PAGE 1-35)	1
19	181937	BRACKET, VALVE MOUNT	1
20	2-102-010051	U-BOLT, WING REST	2
21	1-512-010005-09	NUT, HEX, SLFLKG, 1/2-13 UNC, GRB	6
22	159955	ROD, CYLINDER ANCHOR (AFTER 11-30-2016)	2
23	159954	NUT HEX 1-3/4-5UNC GR2 (AFTER 11-30-2016)	4
24	182391	EXTENSION, SHANK 12"	2
25	189433	U BOLT, CENTER SHANK MOUNT	4

Wing Frames

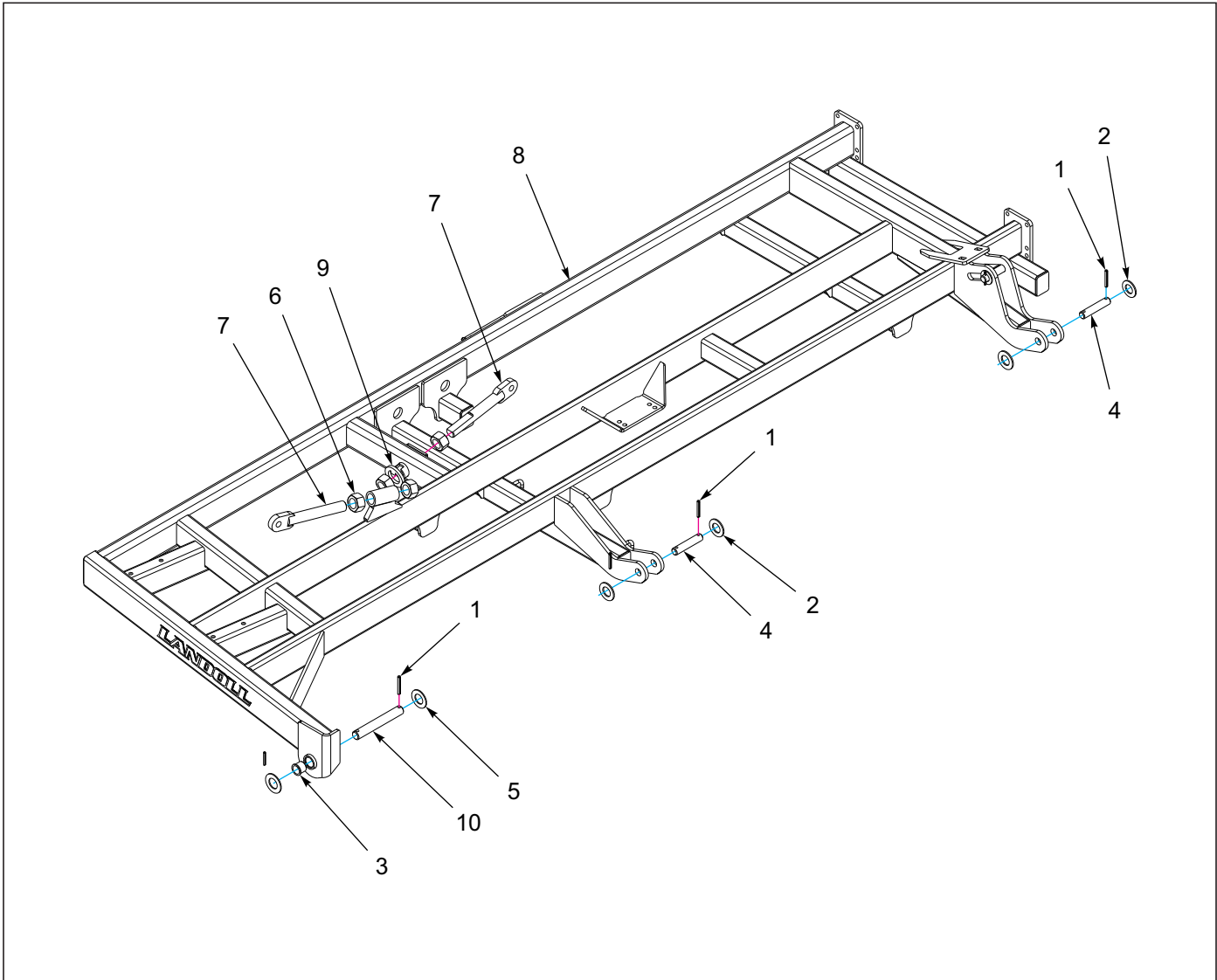


Figure 1-5: Wing Frame Assembly 19'

Wing Frame Assembly 19'

ITEM	PART NO.	DESCRIPTION	QTY.
1	1-647-010004240	ROLL PIN, SLTD, 5/16 X 2-1/2	8
2	116100	WASHER, FLAT, ZP/CD, 1-1/4N	6
3	140599	BEARING, FLANGE, 1-1/2	2
4	141244	PIN, FOLD	3
5	141266	WASHER, THRUST, 1-1/2	4
6	159954	NUT, HEX, 1-3/4-5	4
7	159955	ROD, CYLINDER ANCHOR	2
8	179662	FRAME, WING RIGHT 19'	1
8	179663	FRAME, WING LEFT 19' (NOT SHOWN)	1
9	182394	WASHER, CYLINDER ANCHOR	1
10	183966	PIN, 1-1/2 X 10-1/2	1

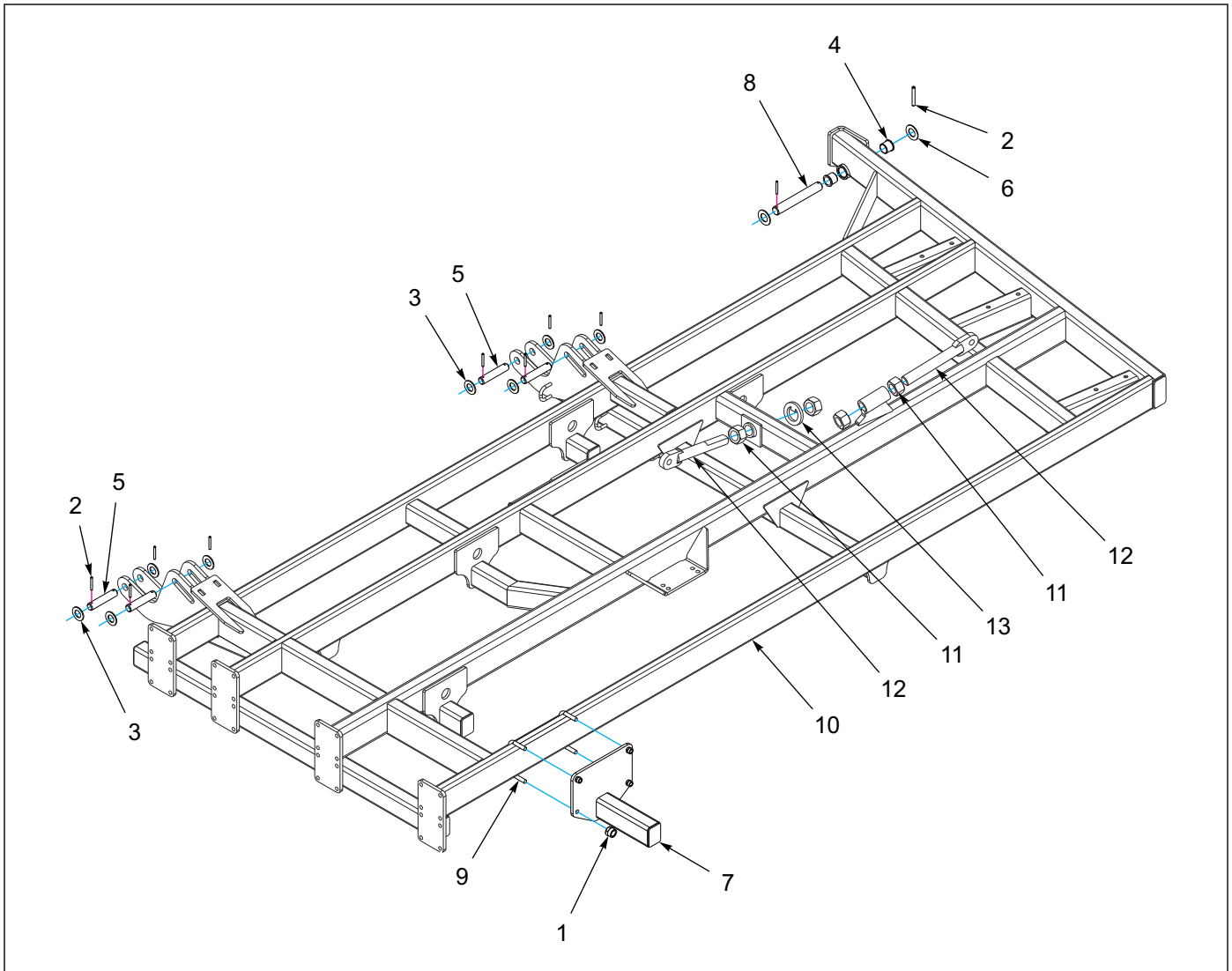


Figure 1-6: Wing Frame Assembly 22'-27'

Wing Frame Assembly 22'-27'

ITEM	PART NO.	DESCRIPTION	QTY.
1	1-512-010005-13	NUT, HEX, SLFLKG, 5/8-11 UNC, GRB	4
2	1-647-010004240	ROLL PIN, SLTD, 5/16 X 2-1/2	10
3	116100	WASHER, FLAT, ZP/CD, 1-1/4N	8
4	140599	BEARING, FLANGE, 1-1/2	2
5	141244	PIN, FOLD	4
6	141266	WASHER, THRUST, 1-1/2	2
7	182391	EXSTENSION, SHANK 12"	1
8	183966	PIN, 1-1/2 X 10-1/2	1
9	2-102-010068	U-BOLT, 5/8-11 X 6-11/16 X 3-1/4	2
10	179664	FRAME, WING RIGHT 22'-27'	1
10	179665	FRAME, WING LEFT 22'-27' (NOT SHOWN)	1
11	159954	NUT, HEX, 1-3/4-5	4
12	159955	ROD, CYLINDER ANCHOR	2
13	183294	WASHER, CYLINDER ANCHOR	1

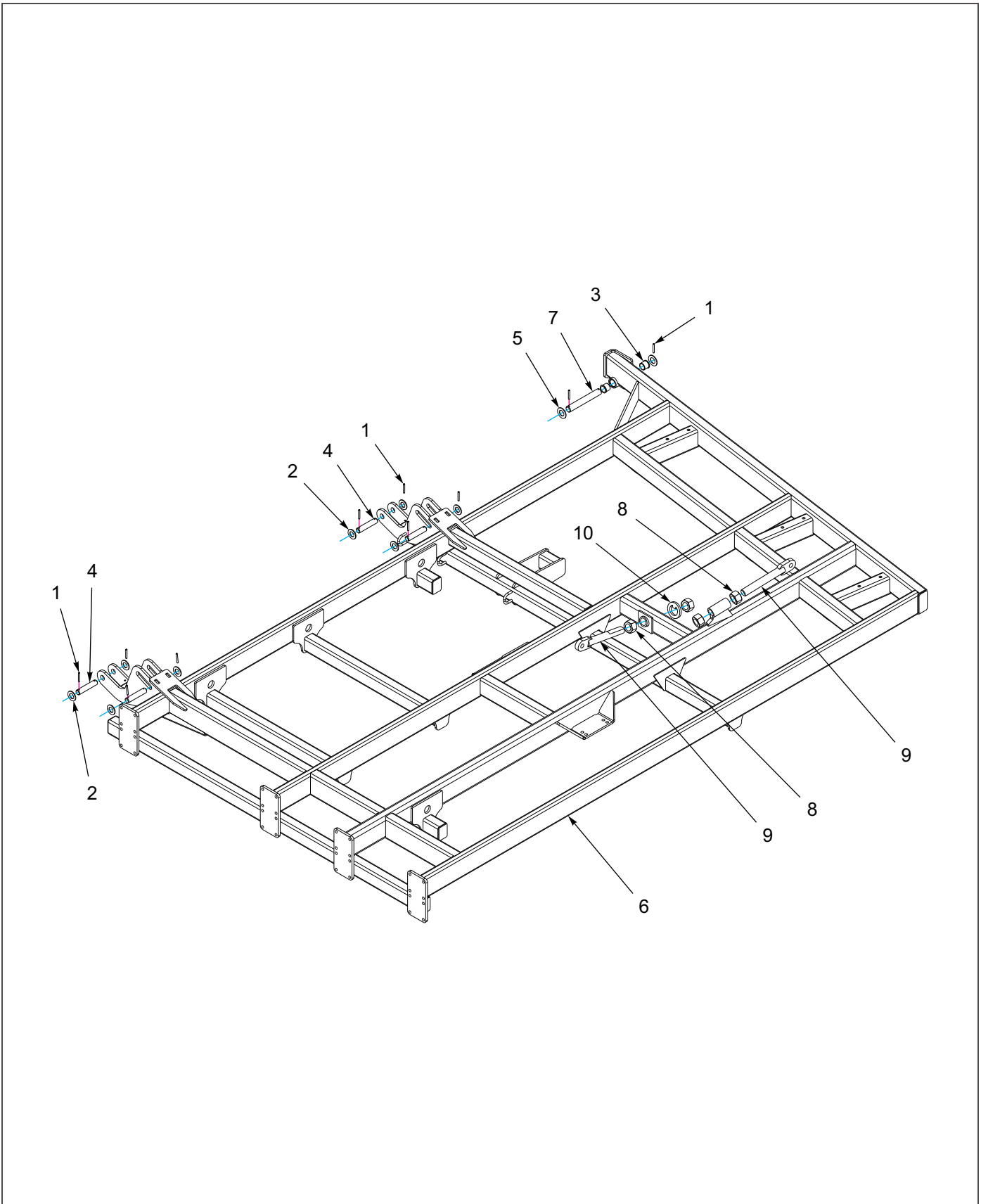


Figure 1-7: Wing Frame Assembly 30'-35'

Wing Frame Assembly 30'-35'

ITEM	PART NO.	DESCRIPTION	QTY.
1	1-647-010004240	ROLL PIN, SLTD, 5/16 X 2-1/2	10
2	116100	WASHER, FLAT, ZP/CD, 1-1/4N	8
3	140599	BEARING, FLANGE, 1-1/2	2
4	141244	PIN, FOLD	4
5	141266	WASHER, THRUST, 1-1/2	2
6	179666	FRAME, WING RIGHT 27'-35'	1
6	179667	FRAME, WING LEFT 27'-35' (NOT SHOWN)	1
7	183966	PIN, 1-1/2 X 10-1/2	1
8	159954	NUT, HEX, 1-3/4-5	4
9	159955	ROD, CYLINDER ANCHOR	2
10	183294	WASHER, CYLINDER ANCHOR	1

Center Lifts

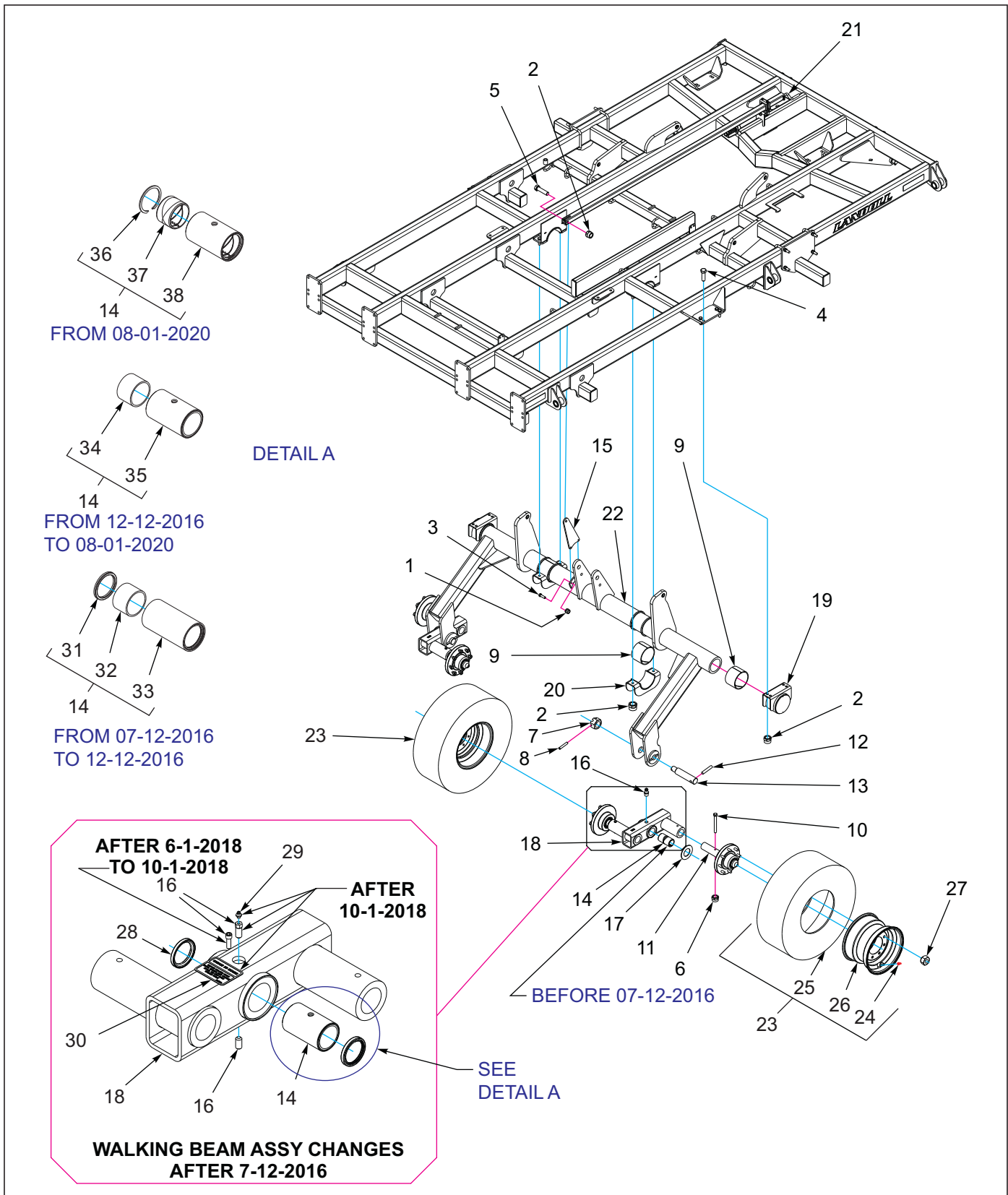


Figure 1-8: Center Lift Assembly 19'-25'

Center Lift Assembly 19'-25'

ITEM	PART NO.	DESCRIPTION	QTY.
1	1-512-010005-05	NUT, HEX, SLFLKG, 3/8-16 UNC, GRB	2
2	1-512-010005-13	NUT, HEX, SLFLKG, 5/8-11 UNC, GRB	21
3	1-654-010051-06	SCREW, HEX CAP, 3/8-16 UNC X 1-1/4	2
4	1-654-010059-05	SCREW, HEX CAP, 5/8-11 UNC X 2 GR5	12
5	1-654-010059-07	SCREW, HEX CAP, 5/8-11 UNC X 2-1/2 G5	1
6	101988	NUT, HEX, SLFLKG 7/16-14 GRB	4
7	119118	NUT, 1-1/2-12 UNF, HEX, SLOTTED ZP	2
8	127712	PIN, SPRING SLOTTED 3/8 X 2-1/4	2
9	140519	BEARING, UHMW 4IN	4
10	141809	SCREW, HEX, CAP, 7/16-14 UNC X 4 GR5	4
11	147553	8 BOLT HUB ASSY, 2-1/4" SPDL (SEE PAGE 1-28)	4
12	156992	PIN, WALKING BEAM SPINDLE	2
13	157019	SPINDLE, WALKING BEAM	2
14	158903	BUSHING, SPRING 2-1/2 X 2 X 4-5/8 (BEFORE 7-12-2016)	2
14	187169	ASSY, TANDEM PIVOT-2" (FROM 7-12-2016 TO 12-12-2016) (ITEMS 31, 32, 33)	2
14	200310	TANDEM PIVOT ASSY 2" (FROM 12-12-2016 TO 08-01-2020) (ITEMS 34, 35)	2
14	228187	ASSY, PIVOT 2 X 4 CONNEX" (FROM 08-01-2020) (ITEMS 36, 37, 38)	2
15	164124	MOUNT, DEPTH CONTROL	1
16	171024	FITTING, GREASE, 5/16-24 STR (BEFORE 7-12-2016)	4
16	200129	SCREW SOCKET HD CAP 5/16-24X1 (AFTER 7-12-2016 TO 10-1-2018)	4
16	15G816ER	SCREW SET SOC HD CPPT.5-13X1 (AFTER 10-1-2018)	2
16	212046	SCREW, SET FOR ZERK (AFTER 10-1-2018)	2
17	171070	WASHER, THRUST, 2	4
18	174318	WALKING BEAM ASSY, 2-1/4 (USED BEFORE 7-12-2016)	2
18	199362	WALKING BEAM ASSY, 2-1/4 MF (USED AFTER 7-12-2016)	2
19	179655	BEARING CAP, LIFT	2
20	179691	BEARING CAP, LIFT	2
21	180120	DEPTH STOP ASSY (SEE PAGE 1-35)	1
22	183976	LIFT, CENTER 19'-25'	1
23	184708	TIRE ASSY, 320/70R15, 8 BOLT WHL, 19'-25' (ITEMS 24-26)	1
24	TR575	VALVE STEM TUBELESS TIRE	1
25	204385	FIRESTONE RADIAL 320/70R15	1
26	140548	WHEEL, 15 X 10 LB 8 BOLT	1
27	210606	WHEEL NUT, 9/16-18 UNF	32
28	198322	SEAL, V17, DOUBLE LIP 2"	2
29	1-298-010001-1	ZERK FITTING 1/4 SAE (AFTER 10-1-2018)	1
30	215341	DECAL, GREASE WALKER (AFTER 10-1-2018)	1
31	187165	SEAL, POLYPAK - 2" (FROM 7-12-2016 TO 12-12-2016)	2
32	187162	BUSHING, 2-1/4 X 2 X 1-1/2 L (FROM 7-12-2016 TO 12-12-2016)	2
33	184767	BUSHING, WALKER-2" (FROM 7-12-2016 TO 12-12-2016)	1
34	187162	BUSHING, 2-1/4 X 2 X 1-1/2 L (FROM 12-12-2016 TO 08-01-2020)	2
35	200312	BUSHING, WALKER 2X4 (FROM 12-12-2016 TO 08-01-2020)	1
36	228193	SNAP RING, INTERNAL - 2-1/4 (FROM 08-01-2020)	2
37	130052	BUSHING, SPRING 2-1/4X2X1-1/2 (FROM 08-01-2020)	2
38	228190	BUSHING, 2X4 W/ SNAP RING (FROM 08-01-2020)	1

ILLUSTRATED PARTS LIST

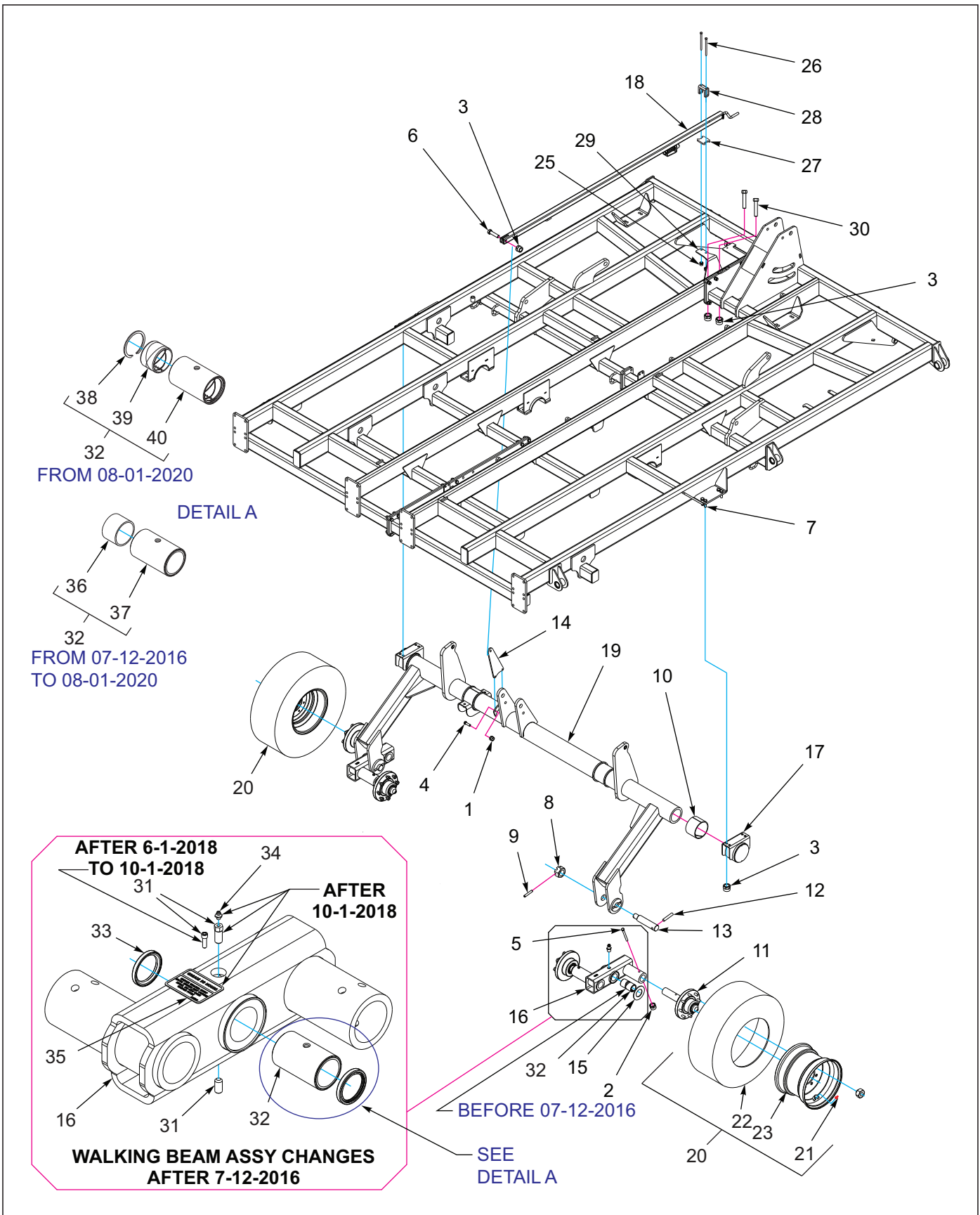


Figure 1-9: Center Lift Assembly 27'-30'

Center Lift Assembly 27'-30'

ITEM	PART NO.	DESCRIPTION	QTY.
1	1-512-010005-05	NUT, HEX, SLFLKG, 3/8-16 UNC, GRB	2
2	1-512-010005-09	NUT, HEX, SLFLKG, 1/2-13 UNC, GRB	4
3	1-512-010005-13	NUT, HEX, SLFLKG, 5/8-11 UNC, GRB	33
4	1-654-010051-06	SCREW, HEX CAP, 3/8-16 UNC X 1-1/4	2
5	1-654-010055-15	SCREW, HEX CAP, 1/2-13 UNC X 5 GR5	4
6	1-654-010059-07	SCREW, HEX CAP, 5/8-11 UNC X 2-1/2 G5	1
7	1-654-010059-05	SCREW, HEX, 5/8-11 UNC, GR5	4
8	119118	NUT, 1-1/2-12 UNF, HEX, SLOTTED ZP	2
9	127712	PIN, SPRING SLOTTED 3/8 X 2-1/4	2
10	140519	BEARING, UHMW 4IN	4
11	156972	HUB & SPINDLE ASSY, 8 BOLT (BEFORE 02-01-2020) (SEE PAGE 1-25)	4
11	223440	ASSY, 8 BOLT HUB & SPINDLE (AFTER 02-01-2020) (SEE PAGE 1-27)	4
12	156992	PIN, WALKING BEAM SPINDLE	2
13	157019	SPINDLE, WALKING BEAM	2
14	164124	MOUNT, DEPTH CONTROL	1
15	171070	WASHER, THRUST, 2	4
16	172961	WALKING BEAM ASSY, 3" (PRIOR 07-12-2016)	2
16	198344	WALKING BEAM ASSY 3" (AFTER 07-12-2016)	2
17	179655	BEARING CAP, LIFT	2
18	180120	DEPTH STOP ASSY (SEE PAGE 1-35)	1
19	183871	LIFT, CENTER 27'-30'	1
20	165235	TIRE AND WHEEL ASSEMBLY (ITEMS 21-23)	1
21	TR575	VALVE STEM, TUBLESS TIRE, 380/55R X 16.5	1
22	165236	TIRE 380/55R 16.5 IMP	1
23	157001	WHEEL, 8 BOLT	1
24	102600	NUT, WHEEL BOLT, 5/8-18	8
25	1-512-010005-03	NUT, HEX LOCK, 5/16-18 GRB	2
26	1-654-010049-19	SCREW, HEX, 5/16-18 X 5 GR5	2
27	165257	PAD, SLIDE	1
28	165265	GUIDE, DEPTH STOP	1
29	185683	BRACKET, VALVE MOUNT	1
30	123096	SCREW, HEX CAP, 5/8-11 UNC X GR5	2
31	200129	SCREW SOCKET HD CAP 5/16-24X1 (AFTER 7-12-2016 TO 10-1-2018)	2
31	15G816ER	SCREW SET SOC HD CPPT.5-13X1 (AFTER 10-1-2018)	1
31	212046	SCREW, SET FOR ZERK (AFTER 10-1-2018)	1
32	158903	BUSHING, SPRING 2-1/2X2X4-5/8 (BEFORE 7-12-2016)	1
32	200310	TANDEM PIVOT ASSY 2" (FROM 07-12-2016 TO 08-01-2020) (ITEMS 36, 37)	1
32	228187	ASSY, PIVOT 2 X 4 CONNEX" (FROM 08-01-2020) (ITEMS 38, 39, 40)	1
33	198322	SEAL, V17, DOUBLE LIP 2" (AFTER 07-12-2016)	2
34	1-298-010001-1	ZERK FITTING 1/4 SAE (AFTER 10-1-2018)	1
35	215341	DECAL, GREASE WALKER (AFTER 10-1-2018)	1
36	187162	BUSHING, 2-1/4 X 2 X 1-1/2 L (FROM 07-12-2016 TO 08-01-2020)	2
37	200312	BUSHING, WALKER 2X4 (FROM 07-12-2016 TO 08-01-2020)	1
38	228193	SNAP RING, INTERNAL - 2-1/4 (FROM 08-01-2020)	2
39	130052	BUSHING, SPRING 2-1/4X2X1-1/2 (FROM 08-01-2020)	2
40	228190	BUSHING, 2X4 W/ SNAP RING (FROM 08-01-2020)	1

ILLUSTRATED PARTS LIST

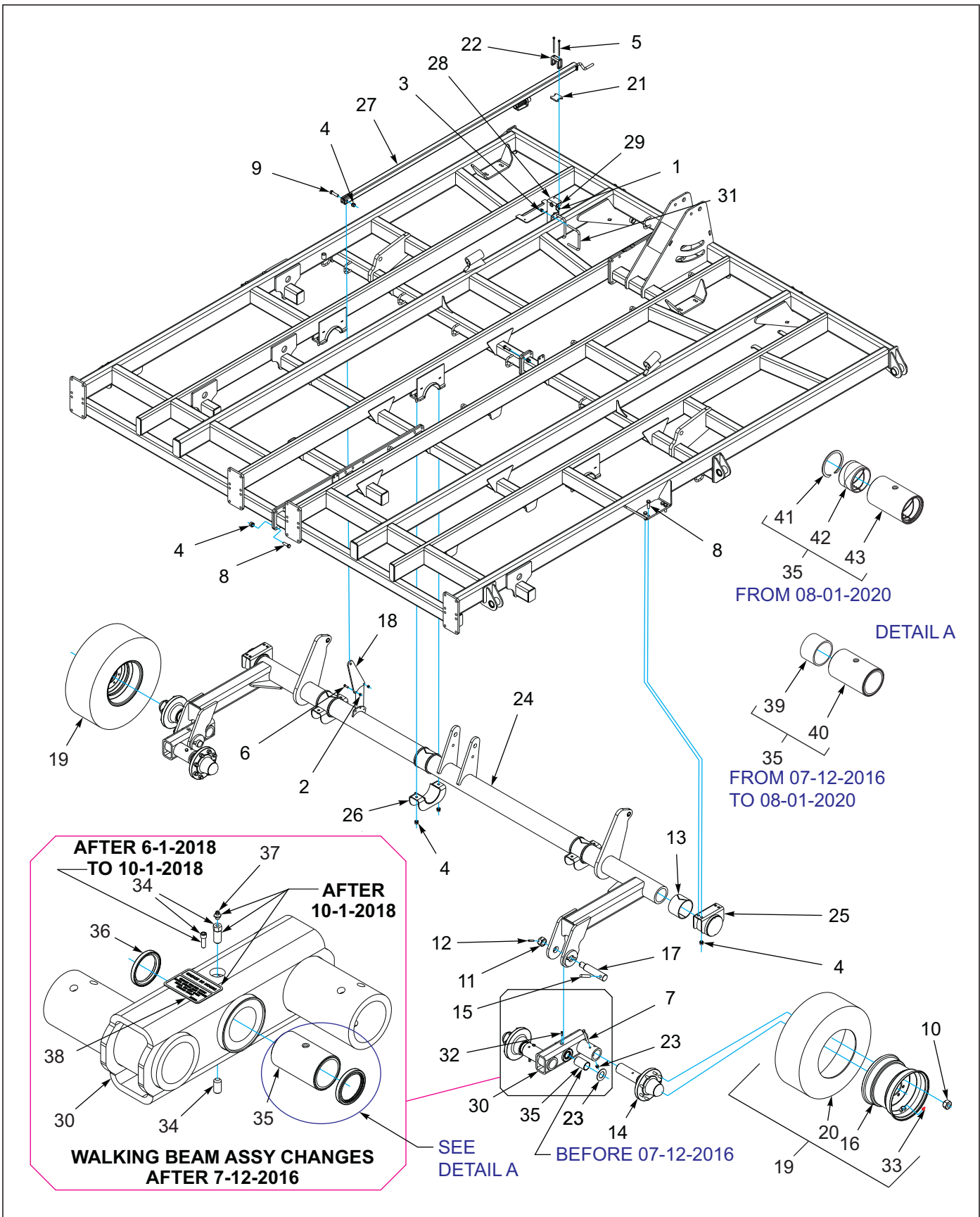


Figure 1-10: Center Lift Assembly 33'-35'

Center Lift Assembly 33'-35'

ITEM	PART NO.	DESCRIPTION	QTY.
1	1-512-010005-03	NUT HEX SLFLKG GRB 5/16-18	2
2	1-512-010005-05	NUT, HEX, SLFLKG GRB 3/8-16	2
3	1-512-010005-09	NUT,HEX,SLFLKG, 1/2-13 GRB	8
4	1-512-010005-13	NUT,HEX SLFLKG GRB 5/8-11	37
5	1-654-010049-19	SCREW,HEX CP,5/16-18UNCX5 GR5	2
6	1-654-010051-06	SCREW,HEX CAP 3/8-16UNCX1-1/4	2
7	1-654-010055-15	SCR, HX CP, 1/2-13UNCX5 GR5	4
8	1-654-010059-05	SCREW,HEX CAP,5/8-11UNCX2 GR5	36
9	1-654-010059-07	SCREW HX CP 5/8-11UNCX2-1/2G5	1
10	102600	NUT,WHEEL BOLT, 5/8	32
11	119118	NUT 1-1/2-12UNF HEX SLOTTEDZP	2
12	127712	PIN SPRING SLOTTED 3/8X2-1/4	2
13	140519	BEARING, UHMW 4IN	5
14	156972	HUB & SPINDLE ASSY, 8 BOLT (BEFORE 02-01-2020) (SEE PAGE 1-25)	4
14	223440	ASSY, 8 BOLT HUB & SPINDLE (AFTER 02-01-2020) (SEE PAGE 1-27)	4
15	156992	PIN, WALKING BEAM SPINDLE	2
16	157001	WHEEL, 8 BOLT	1
17	157019	SPINDLE, WALKING BEAM	2
18	164124	MOUNT, DEPTH CONTROL	1
19	165235	TIRE & WHEEL ASSY,380/55RX16.5 (INCLUDES ITEMS 16, 20 & 33)	1
20	165236	TIRE 380/55R 16.5 IMP	1
21	165257	PAD, SLIDE	1
22	165265	GUIDE, DEPTH STOP	1
23	171070	WASHER, THRUST 2	4
24	179653	LIFT, CENTER 33-35	1
25	179655	BEARING CAP, LIFT	2
26	179691	BEARING CAP, LIFT	3
27	180120	DEPTH STOP ASSY	1
28	181937	BRACKET, VALVE MOUNT	1
29	185660	VALVE, LIMIT	1
30	172961	WALKING BEAM ASSY 3" (USED BEFORE 07-12-2016)	2
30	198344	WALKING BEAM ASSY 3" (USED AFTER 07-12-2016)	2
31	2-102-010051	U-BOLT, WING REST	2
32	200129	SCREW SOCKET HD CAP 5/16-24X1	4
33	TR575	VALVE STEM TUBELESS TIRE	1
34	200129	5/16-24 X 1 SOCKET HD CUP PT (AFTER 7-12-2016 TO 10-1-2018)	2
34	15G816ER	SCREW SET SOC HD CPPT.5-13X1 (AFTER 10-1-2018)	1
34	212046	SCREW, SET FOR ZERK (AFTER 10-1-2018)	1
35	158903	BUSHING, SPRING 2-1/2 X 2 X 4-5/8 (BEFORE 07-12-2016)	1
35	200310	ASSY, TANDEM PIVOT-2" (AFTER 07-12-2016 TO 08-01-2020) (ITEMS 39, 40)	1
35	228187	ASSY, PIVOT 2 X 4 CONNEX" (FROM 08-01-2020) (ITEMS 41, 42, 43)	1
36	198322	SEAL, V17, DOUBLE LIP 2"	2
37	1-298-010001-1	ZERK FITTING 1/4 SAE (AFTER 10-1-2018)	1
38	215341	DECAL, GREASE WALKER (AFTER 10-1-2018)	1
39	187162	BUSHING, 2-1/4 X 2 X 1-1/2 L (FROM 07-12-2016 TO 08-01-2020)	2
40	200312	BUSHING, WALKER 2X4 (FROM 07-12-2016 TO 08-01-2020)	1
41	228193	SNAP RING, INTERNAL - 2-1/4 (FROM 08-01-2020)	2
42	130052	BUSHING,SPRING 2-1/4X2X1-1/2 (FROM 08-01-2020)	2
43	228190	BUSHING, 2X4 W/ SNAP RING (FROM 08-01-2020)	1

Wing Lifts

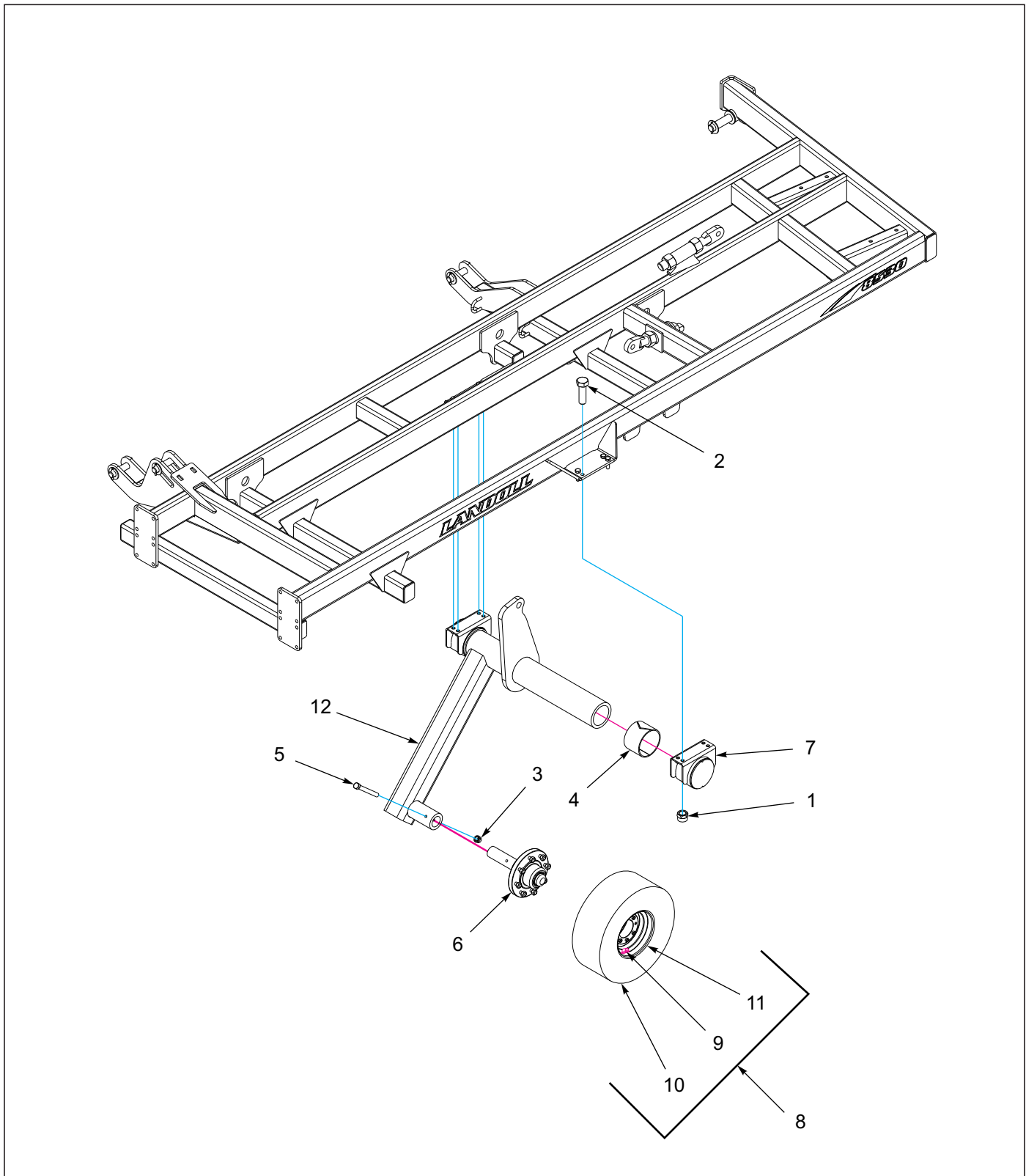


Figure 1-11: Wing Lift Assembly 19'

Wing Lift Assembly 19'

ITEM	PART NO.	DESCRIPTION	QTY.
1	1-512-010005-13	NUT, HEX, SLFLKG, 5/8-11 UNC, GRB	8
2	1-654-010059-05	SCREW, HEX CAP, 5/8-11 UNC X 2 GR5	8
3	101988	NUT, HEX, SLFLKG 7/16-14 GRB	1
4	140519	BEARING, UHMW 4IN	2
5	141809	SCREW, HEX, CAP, 7/16-14 UNC X 4 GR5	1
6	147553	8 BOLT HUB ASSY, 2-1/4" SPDL (SEE PAGE 1-28)	1
7	179655	BEARING CAP, LIFT	2
8	184708	TIRE ASSY, 320/70R15, 8 BOLT WHL (ITEMS 9-11)	1
9	TR575	VALVE STEM TUBELESS TIRE	1
10	204385	FIRESTONE RADIAL 320/70R15	1
11	140548	WHEEL, 15 X 10 LB 8 BOLT	1
12	185632	LIFT, WING RIGHT 19'	1
13	185633	LIFT, WING LEFT 19' (NOT SHOWN)	1

ILLUSTRATED PARTS LIST

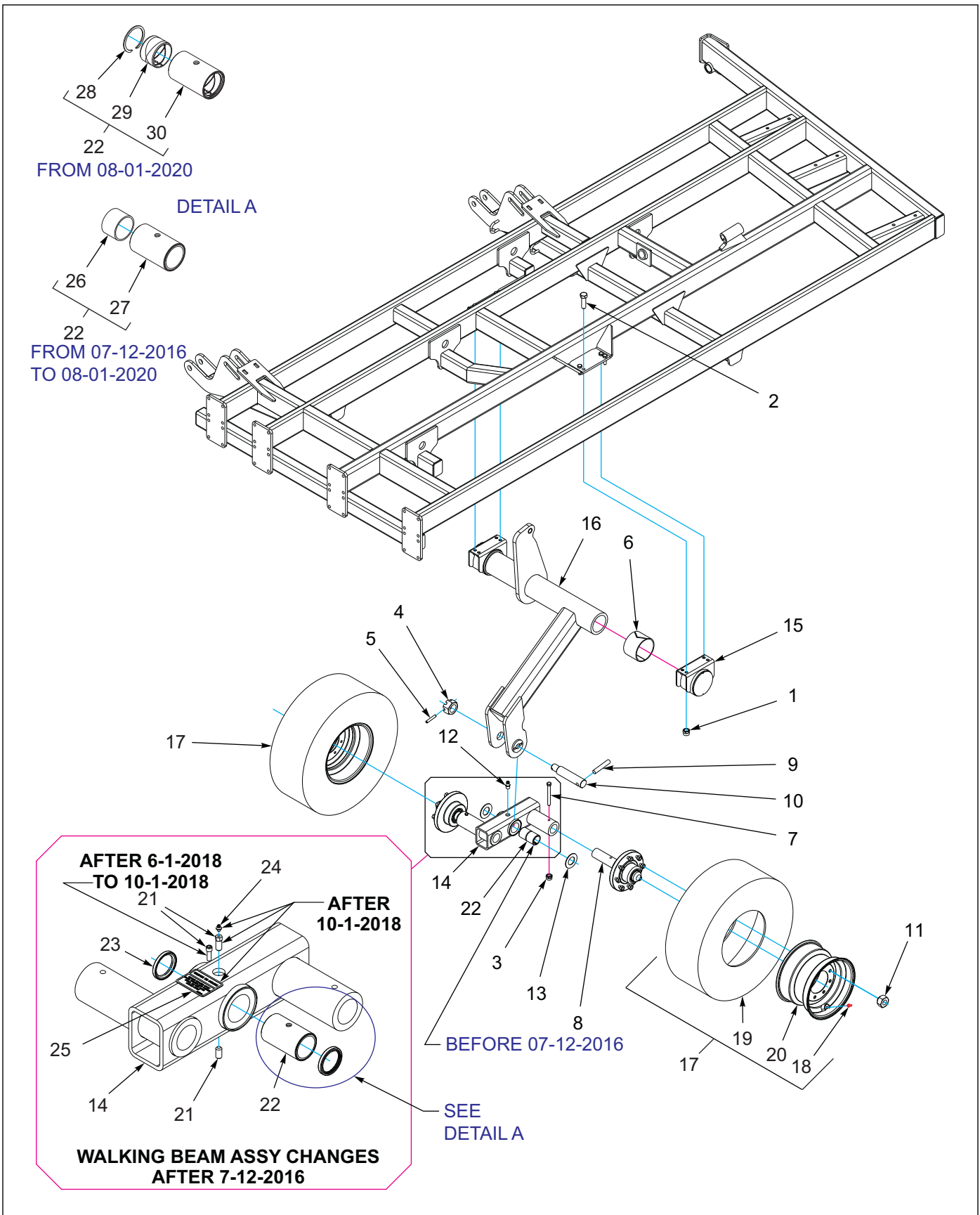


Figure 1-12: Wing Lift Assembly 22'-27'

Wing Lift Assembly 22'-27'

ITEM	PART NO.	DESCRIPTION	QTY.
1	1-512-010005-13	NUT, HEX, SLFLKG, 5/8-11 UNC, GRB	8
2	1-654-010059-05	SCREW, HEX CAP, 5/8-11 UNC X 2 GR5	8
3	101988	NUT, HEX, SLFLKG 7/16-14 GRB	2
4	119118	NUT, 1-1/2-12 UNF, HEX, SLOTTED ZP	1
5	127712	PIN, SPRING SLOTTED 3/8 X 2-1/4	1
6	140519	BEARING, UHMW 4IN	2
7	141809	SCREW, HEX, CAP, 7/16-14 UNC X 4 GR5	2
8	147553	8 BOLT HUB ASSY, 2-1/4" SPDL (SEE PAGE 1-28)	2
9	156992	PIN, WALKING BEAM SPINDLE	1
10	157019	SPINDLE, WALKING BEAM	1
11	210606	WHEEL NUT, 9/16-18 UNF	16
12	171024	FITTING, GREASE, 5/16-24 STR (USED BEFORE 7-12-2016)	2
12	200129	5/16-24 X 1 SOCKET HD CUP PT (USED AFTER 7-12-2016)	2
13	171070	WASHER, THRUST, 2	2
14	174318	WALKING BEAM ASSY, 2-1/4 (USED BEFORE 7-12-2016)	1
14	199362	WALKING BEAM ASSY, 2-1/4 MF (USED AFTER 7-12-2016)	1
15	179655	BEARING CAP, LIFT	2
16	179693	LIFT, WING LEFT	1
17	184708	TIRE ASSY, 320/70R15, 8 BOLT WHL (ITEMS 18-20)	1
18	TR575	VALVE STEM TUBELESS TIRE	1
19	204385	FIRESTONE RADIAL 320/70R15	1
20	140548	WHEEL, 15 X 10 LB 8 BOLT	1
21	200129	5/16-24 X 1 SOCKET HD CUP PT (AFTER 7-12-2016 TO 10-1-2018)	2
21	15G816ER	SCREW SET SOC HD CPPT. 5-13X1 (AFTER 10-1-2018)	1
21	212046	SCREW, SET FOR ZERK (AFTER 10-1-2018)	1
22	158903	BUSHING, SPRING 2-1/2 X 2 X 4-5/8 (USED BEFORE 7-12-2016)	1
22	200310	TANDEM PIVOT ASSY 2" (AFTER 7-12-2016 TO 08-01-2020) (ITEMS 26, 27)	1
22	228187	ASSY, PIVOT 2 X 4 CONNEX" (FROM 08-01-2020) (ITEMS 28, 29, 30)	1
23	198322	SEAL, V17, DOUBLE LIP 2" (AFTER 7-12-2016)	2
24	1-298-010001-1	ZERK FITTING 1/4 SAE (AFTER 10-1-2018)	1
25	215341	DECAL, GREASE WALKER (AFTER 10-1-2018)	1
26	187162	BUSHING, 2-1/4 X 2 X 1-1/2 L (FROM 07-12-2016 TO 08-01-2020)	2
27	200312	BUSHING, WALKER 2X4 (FROM 07-12-2016 TO 08-01-2020)	1
28	228193	SNAP RING, INTERNAL - 2-1/4 (FROM 08-01-2020)	2
29	130052	BUSHING, SPRING 2-1/4 X 2 X 1-1/2 (FROM 08-01-2020)	2
30	228190	BUSHING, 2X4 W/ SNAP RING (FROM 08-01-2020)	1

ILLUSTRATED PARTS LIST

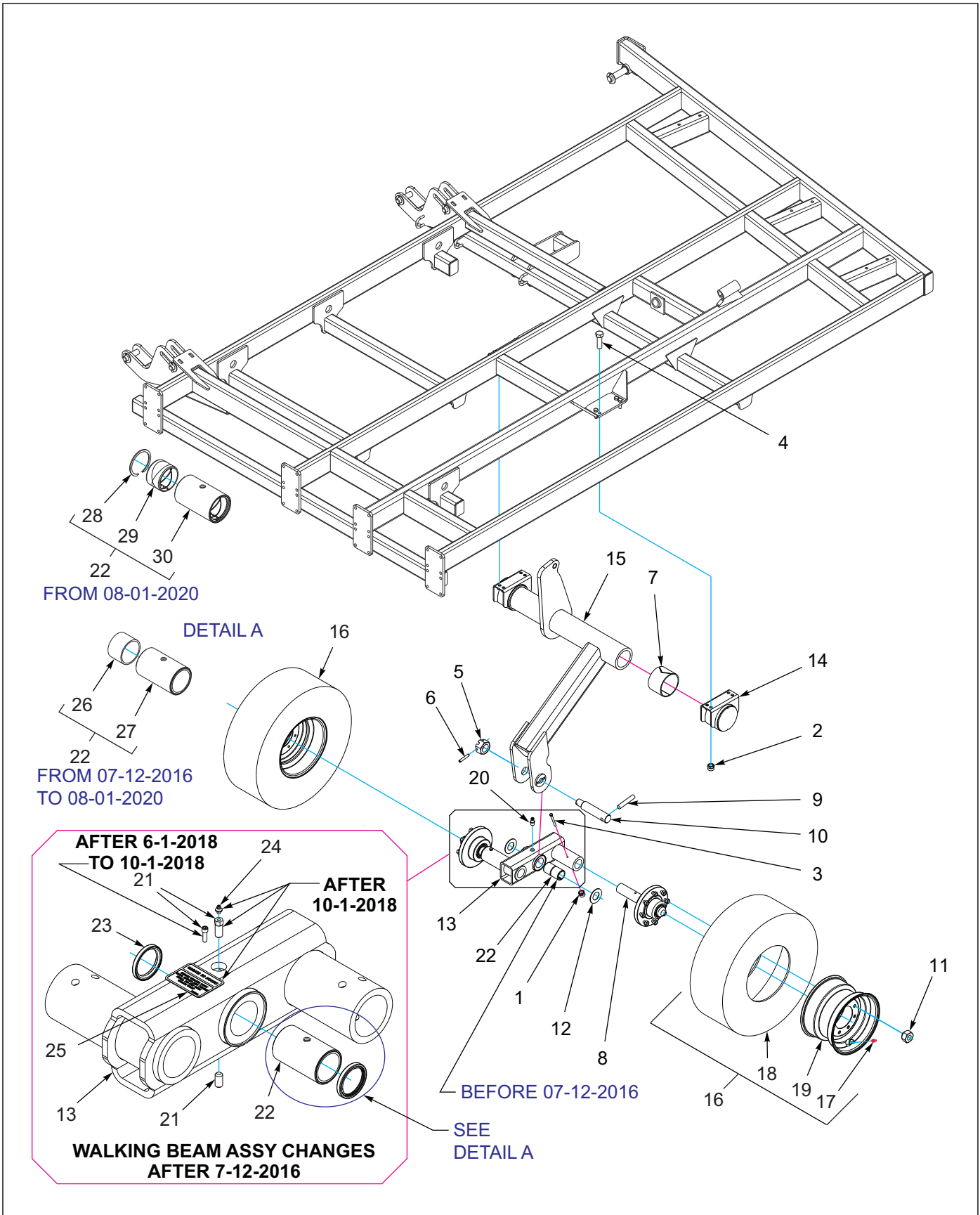


Figure 1-13: Wing Lift Assembly 30'-35'

Wing Lift Assembly 30'-35'

ITEM	PART NO.	DESCRIPTION	QTY.
1	1-512-010005-09	NUT, HEX LOCK 1/2-13 GRB	2
2	1-512-010005-13	NUT, HEX, SLFLKG, 5/8-11 UNC, GRB	8
3	1-654-010055-15	SCREW, HEX HEAD CAP 1/2-13 X 5 GR5	2
4	1-654-010059-05	SCREW, HEX CAP, 5/8-11 UNC X 2 GR5	8
5	119118	NUT, 1-1/2-12 UNF, HEX, SLOTTED ZP	1
6	127712	PIN, SPRING SLOTTED 3/8 X 2-1/4	1
7	140519	BEARING, UHMW 4IN	2
8	156972	8 BOLT HUB ASSY, 3" (SEE PAGE 1-25)	2
9	156992	PIN, WALKING BEAM SPINDLE	1
10	157019	SPINDLE, WALKING BEAM	1
11	102600	NUT, WHEEL BOLT, 5/8-18	32
12	171070	WASHER, THRUST, 2	2
13	172961	WALKING BEAM ASSY 3" (USED BEFORE 7-12-2016)	1
13	198344	WALKING BEAM ASSY 3" (USED AFTER 7-12-2016)	1
14	179655	BEARING CAP, LIFT	2
15	179693	LIFT, WING LEFT	1
16	165235	TIRE AND WHEEL ASSEMBLY, 33'-35' (ITEMS 17-19)	1
16	184708	TIRE ASSY, 320/70R15, 8 BOLT WHL (ITEMS 17-19)	1
17	415	VALVE STEM (USED WITH 184709)	1
17	TR575	VALVE STEM TUBELESS TIRE (USED WITH 165235)	1
18	204385	FIRESTONE RADIAL 320/70R15 (USED WITH 184708)	1
18	165236	TIRE, 380/55R, 16.5 IMP (USED WITH 165235)	1
19	140548	WHEEL, 15 X 10 LB 8 BOLT (USED WITH 184709)	1
19	157001	WHEEL, 8 BOLT (USED WITH 165235)	1
20	171024	FITTING, GREASE 1/4-28 STR SHORT (USED BEFORE 7-12-2016)	1
21	200129	5/16-24 X 1 SOCKET HD CUP PT (AFTER 7-12-2016 TO 10-1-2018)	2
21	15G816ER	SCREW SET SOC HD CPPT.5-13X1 (AFTER 10-1-2018)	1
21	212046	SCREW, SET FOR ZERK (AFTER 10-1-2018)	1
22	158903	BUSHING, SPRING 2-1/2 X 2 X 4-5/8 (USED BEFORE 7-12-2016)	1
22	200310	TANDEM PIVOT ASSY 2" (AFTER 7-12-2016 TO 08-01-2020) (ITEMS 26, 27)	1
22	228187	ASSY, PIVOT 2 X 4 CONNEX" (FROM 08-01-2020) (ITEMS 28, 29, 30)	1
23	198322	SEAL, V17, DOUBLE LIP 2" (AFTER 7-12-2016)	2
24	1-298-010001-1	ZERK FITTING 1/4 SAE (AFTER 10-1-2018)	1
25	215341	DECAL, GREASE WALKER (AFTER 10-1-2018)	1
26	187162	BUSHING, 2-1/4 X 2 X 1-1/2 L (FROM 07-12-2016 TO 08-01-2020)	2
27	200312	BUSHING, WALKER 2X4 (FROM 07-12-2016 TO 08-01-2020)	1
28	228193	SNAP RING, INTERNAL - 2-1/4 (FROM 08-01-2020)	2
29	130052	BUSHING, SPRING 2-1/4X2X1-1/2 (FROM 08-01-2020)	2
30	228190	BUSHING, 2X4 W/ SNAP RING (FROM 08-01-2020)	1

Hub & Spindles

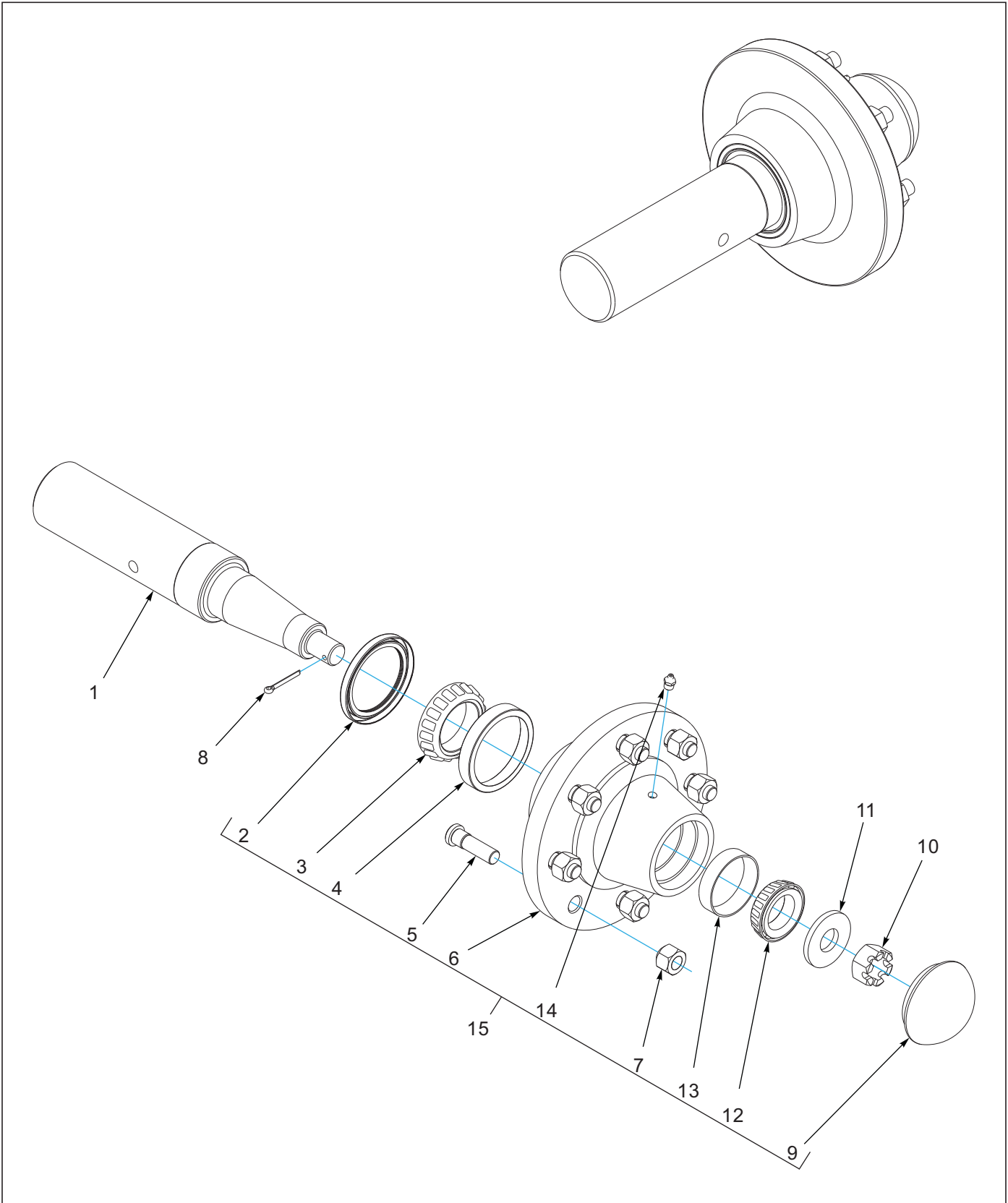


Figure 1-14: Hub and Spindle Assembly - 156972

Hub and Spindle Assembly - 156972

ITEM	PART NO.	DESCRIPTION	QTY.
--	156972	HUB & SPINDLE ASSY, 8 BOLT (BEFORE 2-1-2020)	
1	156973	SPINDLE 3 X 16-1/2	1
2	159970	SEAL,TRIPLE LIP 4 ODX3 IDX3/8	1
3	156979	CONE BEARING - 387AS	1
4	111962	OUTER BEARING CUP L20HD#382A	1
5	4001060	HUB 75-8 BOLTS 5/8-18 STUD	1
6	156974	HUB W/CUPS, 8 BOLT, 7500LBS (INCLUDES ITEMS 4, 5, 7, 13, 14)	1
7	102600	NUT,WHEEL BOLT, 5/8	8
8	1-557-010362-51	PIN, COTTER 3/16X1-1/2	1
9	102601	HUB CAP, 8-BOLT HUB	1
10	1-516-010001-20	NUT, HX SLOT 1-14	1
11	1-861-010005	WASHER, SPINDLE 1	1
12	102498	BEARING CONE,OUTER, 1.625	1
13	102604	BEARING CUP, OUTER	1
14	5000	ZERK FITTING 1/8NPT	1
15	168859	HUB ASSY, EIGHT BOLT (SERVICE KIT ONLY)	

ILLUSTRATED PARTS LIST

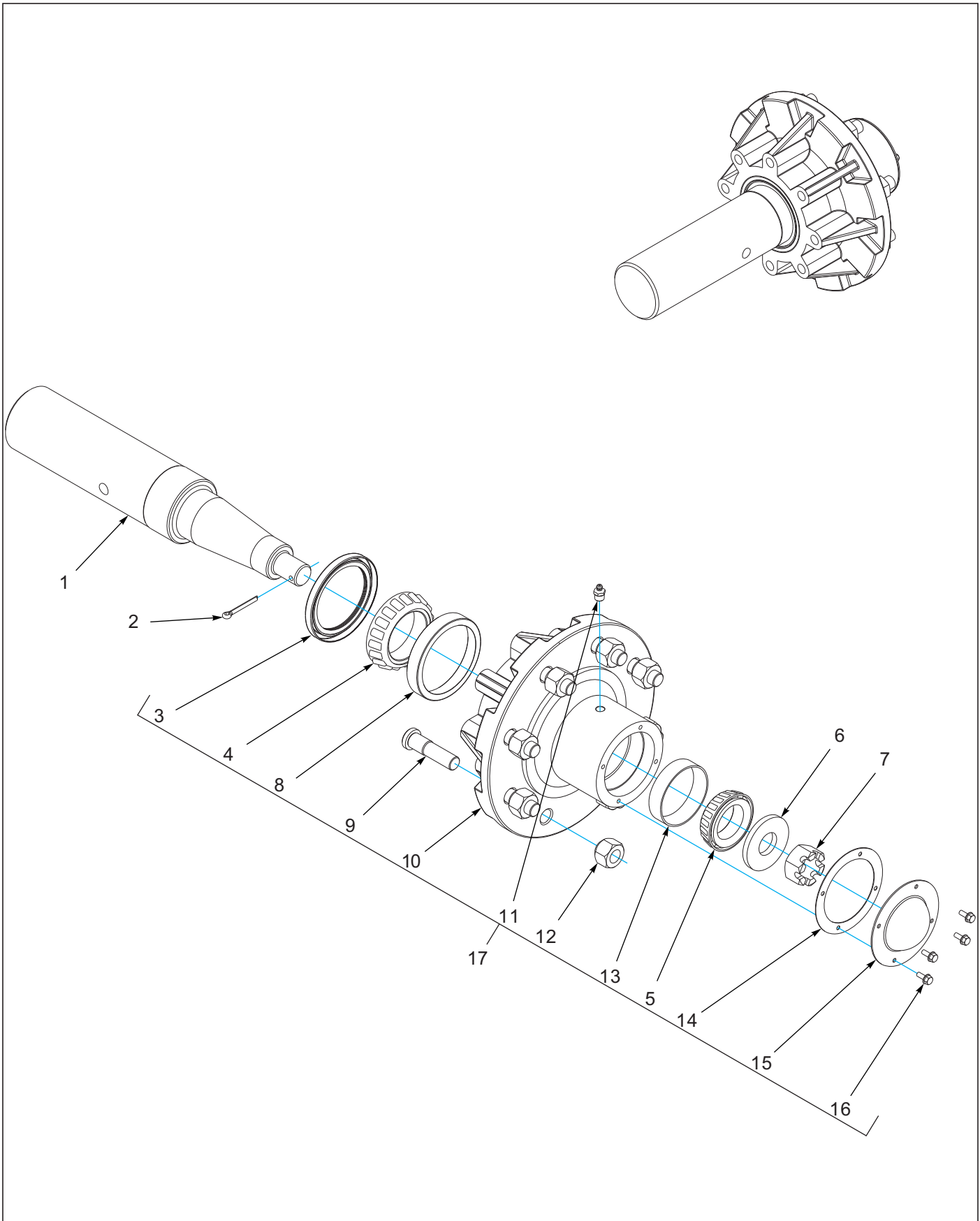


Figure 1-15: Hub and Spindle Assembly - 223440

Hub and Spindle Assembly - 223440

ITEM	PART NO.	DESCRIPTION	QTY.
--	223440	ASSY, 8 BOLT HUB & SPINDLE (AFTER 2-1-2020) (NOTE: P/N 223440 HUB & SPINDLE WILL REPLACE ALL EXISTING 156972 HUB & SPINDLE ASSEMBLIES)	
1	156973	SPINDLE 3 X 16-1/2	1
2	1-557-010362-51	PIN, COTTER 3/16X1-1/2	1
3	159970	SEAL,TRIPLE LIP 4 ODX3 IDX3/8	1
4	156979	CONE BEARING - 387AS	1
5	102498	BEARING CONE,OUTER, 1.625	1
6	1-861-010005	WASHER, SPINDLE 1	1
7	1-516-010001-20	NUT, HX SLOT 1-14	1
8	111962	OUTER BEARING CUP L20HD#382A	1
9	4001060	HUB 75-8 BOLTS 5/8-18 STUD	8
10	223435	HUB ASSY W/ CUPS,GASKET,CAP (INCLUDES ITEMS 8, 9, 11-16)	1
11	5000	ZERK FITTING 1/8NPT	1
12	102600	NUT,WHEEL BOLT, 5/8	8
13	102604	BEARING CUP, OUTER	1
14	223439	GASKET, DUST CAP	1
15	223437	DUST CAP, BOLT ON	1
16	223438	SCREW, 10-32X1/2 HEX FLANGE	4
17	168859	HUB ASSY, EIGHT BOLT (SERVICE KIT ONLY)	

ILLUSTRATED PARTS LIST

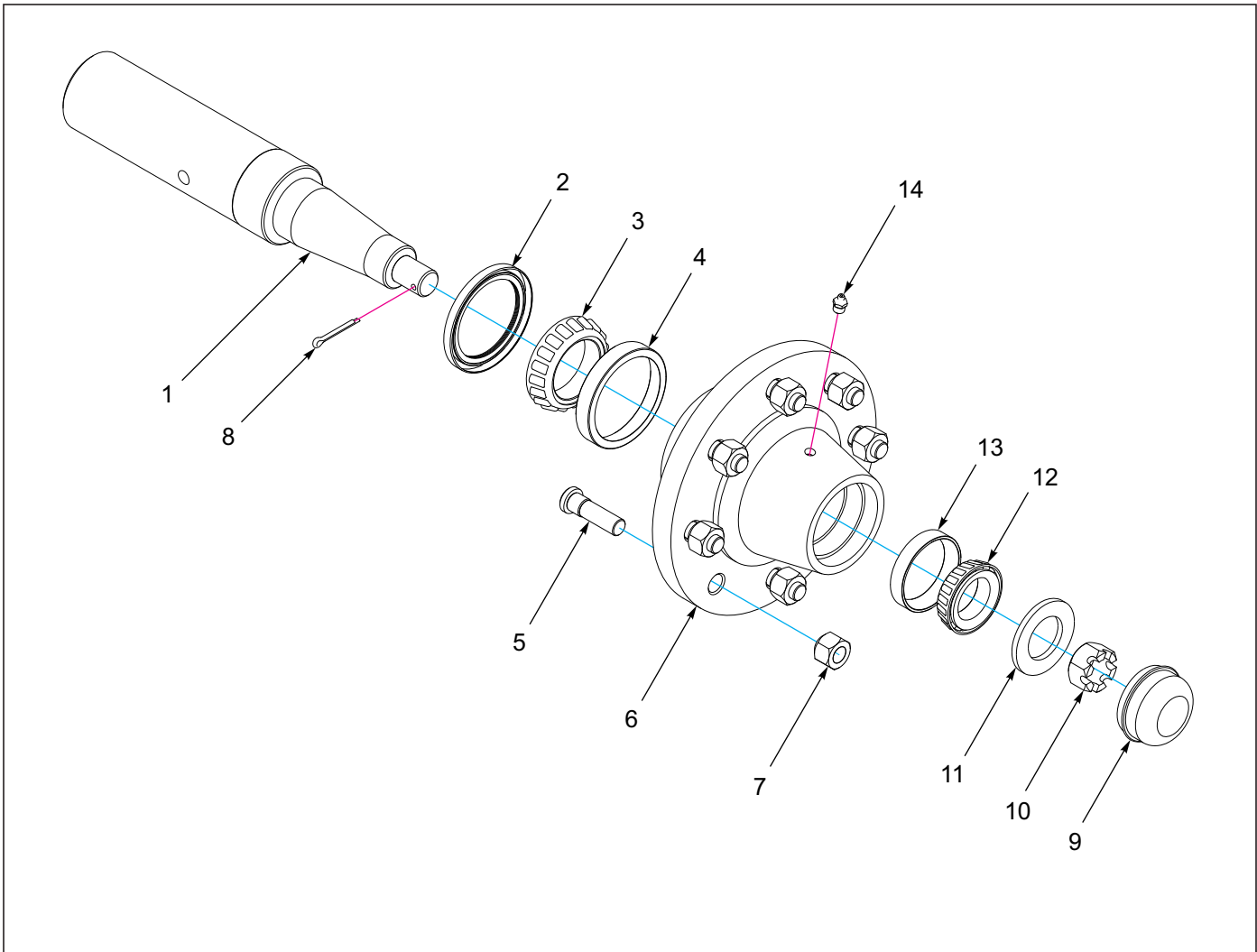


Figure 1-16: Hub and Spindle Assembly - 8 Bolt "2-1/4"

Hub and Spindle Assembly - 8 Bolt (2-1/4")

ITEM	PART NO.	DESCRIPTION	QTY.
--	147553	HUB AND SPINDLE ASSEMBLY - 8 BOLT "2-1/4"	
1	141198	SPINDLE, 2-1/4"	1
2	140554	SEAL, GREASE	1
3	140595	CONE, BEARING	1
4	140594	CUP, INNER BEARING	1
5	143067	STUD BOLT	1
6	140646	HUB W/ CUPS, 8 BOLT	1
7	210606	NUT, WHEEL, 9/16 - 18 UNF	8
8	1-557-010362-51	COTTER PIN, 3/16 X 1-1/2	1
9	141236	DUST CAP, WHEEL HUB	1
10	1-516-010001-20	NUT, SLDT HEX, 1-14 UNS	1
11	141238	WASHER, SPINDLE	1
12	1-076-010007	CONE, OUTER BEARING	1
13	1-076-010010	CUP, OUTER BEARING	1
14	5000	ZERK	1

Hitches & Leveling System

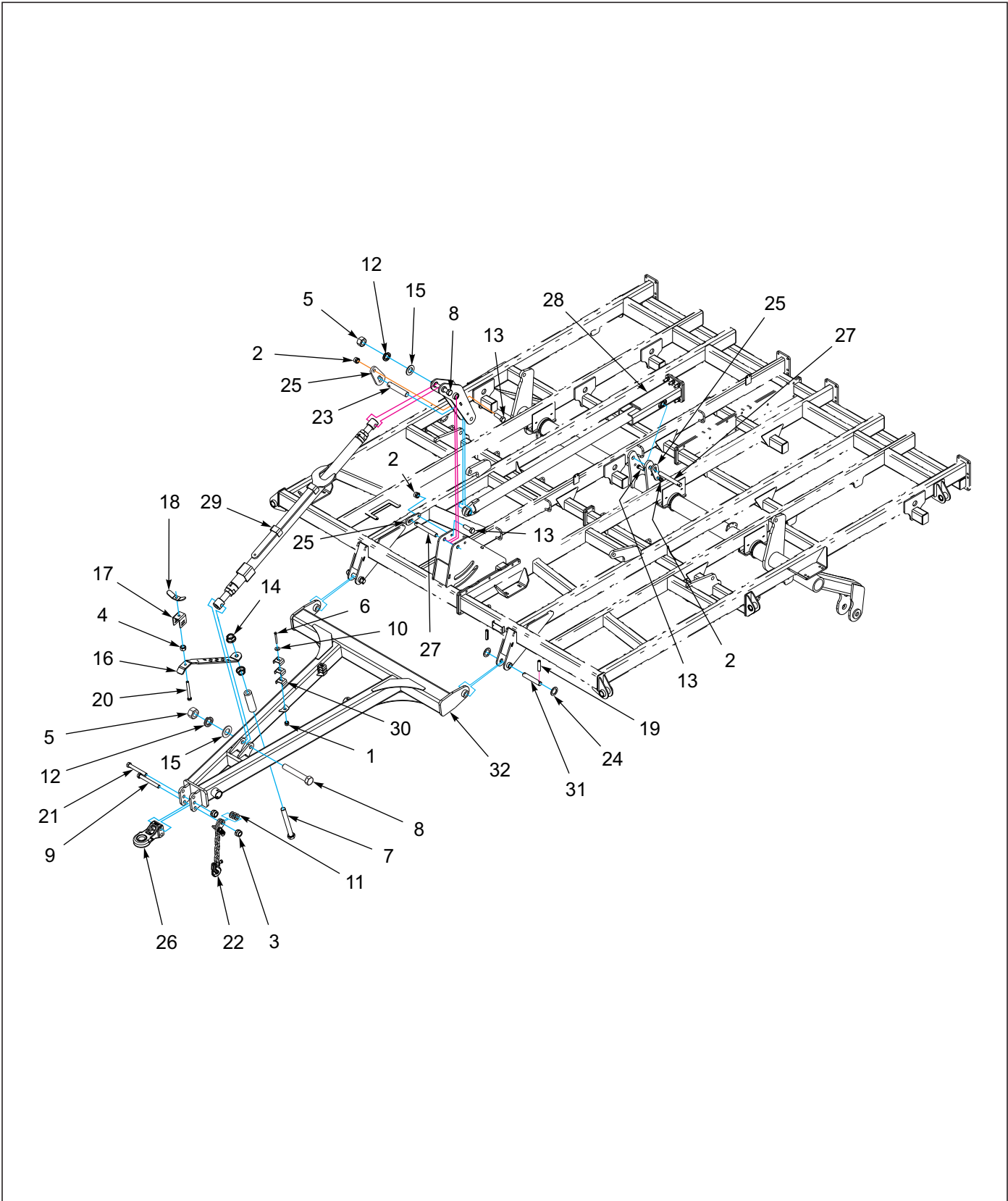


Figure 1-17: Hitch and Leveling Linkage Assembly

Hitch and Leveling Linkage Assembly

ITEM	PART NO.	DESCRIPTION	QTY.
1	1-512-010005-05	NUT, HEX, SLFLKG GRB 3/8-16	2
2	1-512-010005-15	NUT, HEX, SLFLKG GRB 3/4-10	2
3	1-512-010005-19	NUT, HEX, SLFLKG, 1-8 GRB	2
4	1-512-010007-07	NUT, HEX, 3/8-16 ZP	1
5	1-512-010007-16	NUT, HEX, 1-1/4-7, ZP	1
6	1-654-010051-15	SCREW, HEX CAP, 3/8-16 UNC X 3-1/2 G5	2
7	1-654-010061-19	SCREW, HEX CAP, 3/4-10 UNC X 7 GR5	1
8	1-654-010123-01	SCREW, HEX CAP, 1-1/4-7 X 8 G8	1
9	1-654-010125-22	SCREW, HEX CAP, 1-8 UNC X 8-1/2 G8 ZP	1
10	1-861-010032-11	WASHER, FLAT, 3/8 W ZP/CD	2
11	1-861-010032-24	WASHER, FLAT, 1" NARROW ZP	3
12	100825	WASHER, LKG, HLCL, SPR 1-1/4	1
13	100941	SCREW, HEX CAP, 3/4-10 X 2-1/4 G8 ZP	2
14	103841	NUT, FLG, SERRATED, 3/4-10 UNC	2
15	116100	WASHER, FLAT, 1-1/4N, ZP/CD	1
16	141246	BRACKET, HOSE HOLDER	1
17	141247	CLAMP, HOSE HOLDER	1
18	141249	WING NUT, HOSE HOLDER	1
19	141251	SPRING PIN, SLOTTED, 1/2 X 2-1/4	3
20	141807	SCREW, 3/8-16 UNC X 3-1/2, ALL THREAD	1
21	153696	BOLT, HITCH CLEVIS	1
22	156950	SAFETY CHAIN, 41,000 LB	1
23	163705	PIN, LEVELER	1
24	164174	BUSHING, MACHINE 1-1/2 X 10GA	4
25	164544	KEEPER, LEVELER PIN	2
26	177030	HITCH, BALL CAT III	1
26	177031	HITCH, BALL CAT IV	1
26	177032	HITCH, BALL CAT V	1
27	179709	PIN, LEVELER	1
28	183889	LEVELER ASSY, SPRING (SEE PAGE 1-33)	1
29	183945	RADIUS ROD ASSY, 2 (SEE PAGE 1-37)	1
30	2-181-010001	HOSE CLAMP	6
31	7J856	PIN	2
32	179720	HITCH, NARROW CENTER (USED ON MODELS 19'-25')	1
32	179721	HITCH, WIDE CENTER (USED ON MODELS 27'-35')	1

ILLUSTRATED PARTS LIST

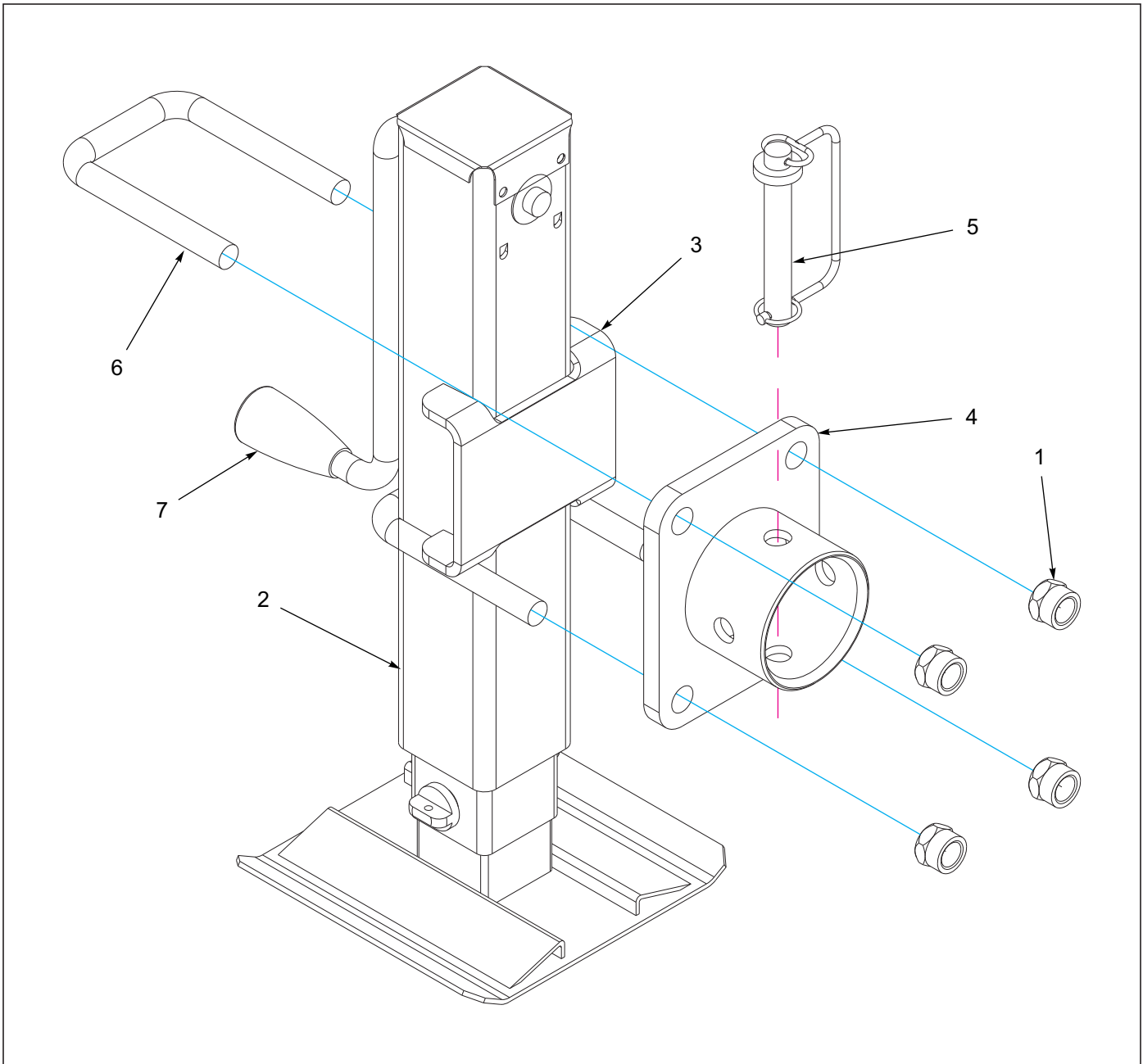


Figure 1-18: 10,000 Lb. Sidewind Jack Assembly

10,000 LB. Sidewind Jack Assembly

ITEM	PART NO.	DESCRIPTION	QTY.
--	183967	JACK, SIDEWIND 10,000 LB	
1	1-512-010005-13	NUT, HEX, SLFLKG, 5/8-11 UNC, GRB	4
2	135421	JACK, 10,000 LBS	1
3	179746	CLAMP PLATE, JACK MOUNT	1
4	183968	MOUNT, JACK	1
5	3-557-010415	PIN, 5/8 W/L	1
6	4J411	U-BOLT, 5/8 X 3 X 5	2
7	195902	JACK HANDLE ASSEMBLY	1

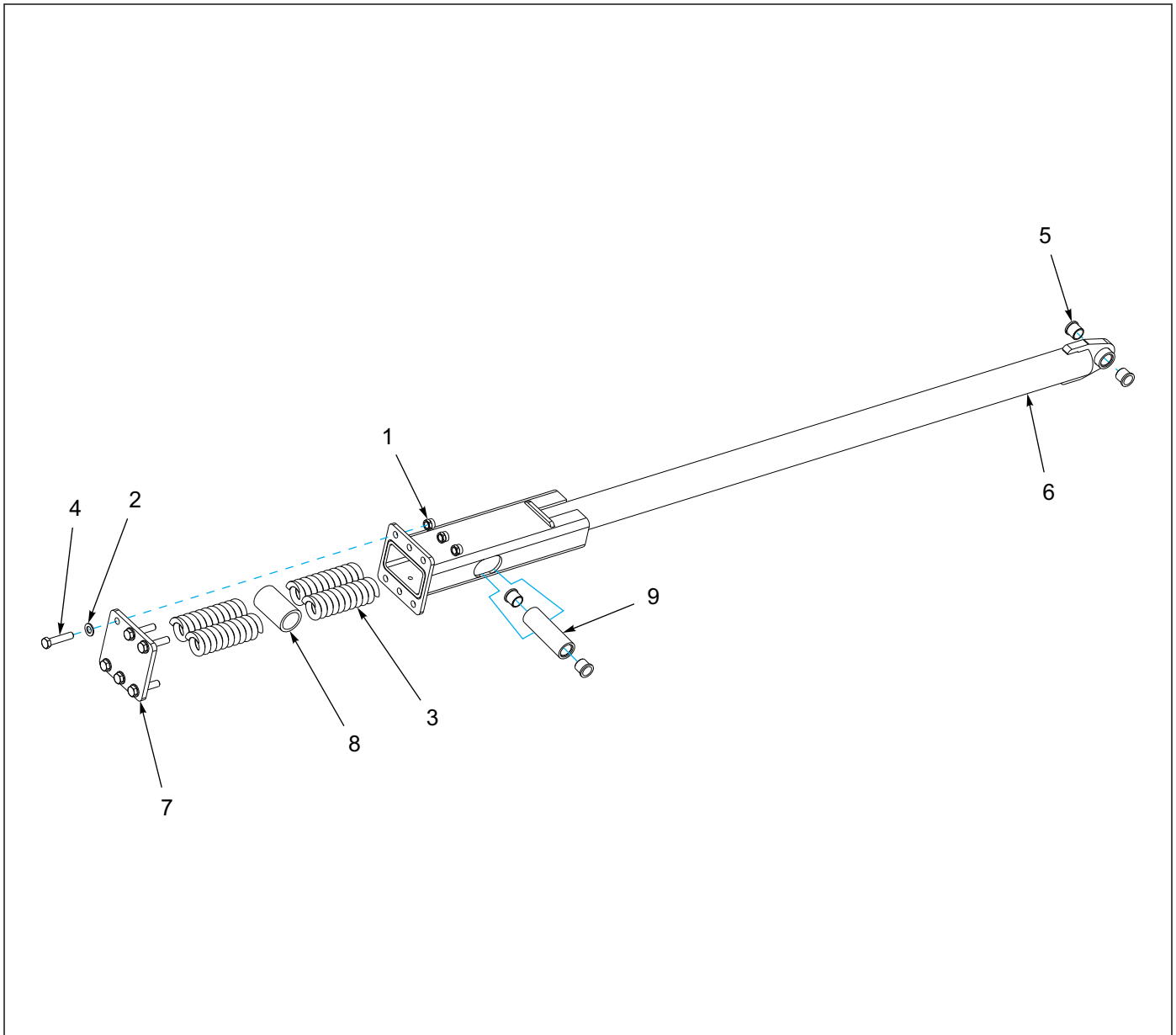


Figure 1-19: Leveler Assembly - Spring

Leveler Assembly - Spring

ITEM	PART NO.	DESCRIPTION	QTY.
--	183889	LEVELER ASSEMBLY - SPRING	
1	1-512-010005-15	NUT, HEX, SLFLKG, 3/4-10 UNC GRB	6
2	1-861-010032-20	WASHER, FLAT, ZP/CD, 3/4N	6
3	140469	SPRING, LEVELER	4
4	165288	BOLT, LEVELER	6
5	168787	BEARING, FLANGE 1-1/4	4
6	183890	TUBE, LEVELER SPRING	1
7	183894	CLAMP PLATE, LEVELER TUBE	1
8	183895	SPACER, 3 X 2 - 5/16 X 5	1
9	183896	BUSHING, LEVELER PIVOT	1

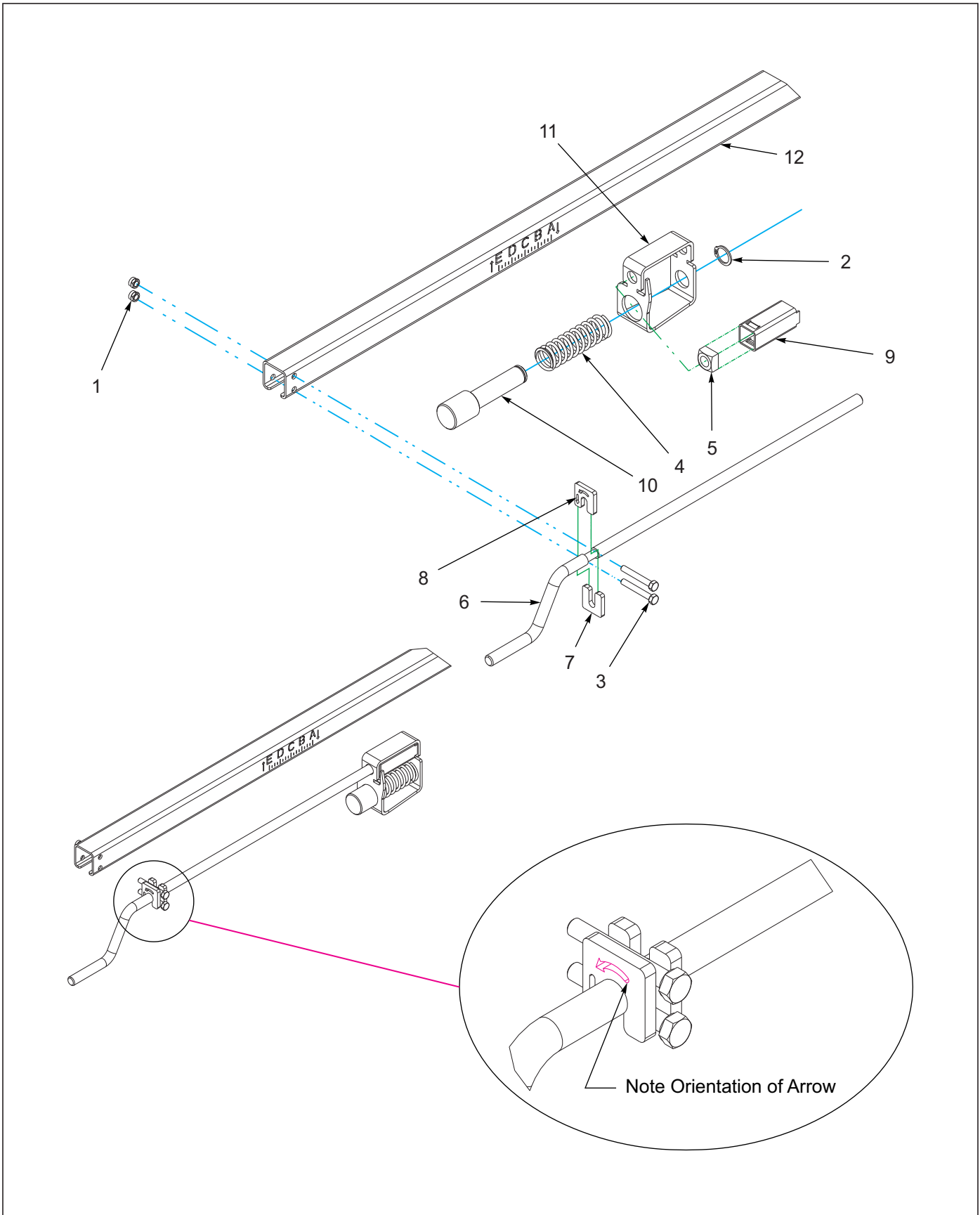


Figure 1-20: Depth Stop Tube Assembly

Depth Stop Tube Assembly

ITEM	PART NO.	DESCRIPTION	QTY.
--	180120	DEPTH STOP ASSEMBLY	1
1	1-512-010005-03	NUT, HEX LOCK 5/16-18 GRB	2
2	1-630-010021-03	RING, RETAINING 1 HD	1
3	108628	SCREW, HEX HEAD CAP 5/16-18 X 2-1/4 GR5	2
4	122917	SPRING, COMPRESSION 4-1/2	1
5	144048	NUT, SQUARE 5/8-11 GR5	1
6	165258	HANDLE, DEPTH STOP	1
7	165259	STOP, HANDLE LONG	1
8	165260	STOP, HANDLE SHORT	1
9	166717	SQUARE TUBE, FLOATING	1
10	174708	PIN, DEPTH STOP	1
11	174709	SQUARE TUBE, DEPTH STOP	1
12	180121	SQUARE TUBE, DEPTH STOP	1

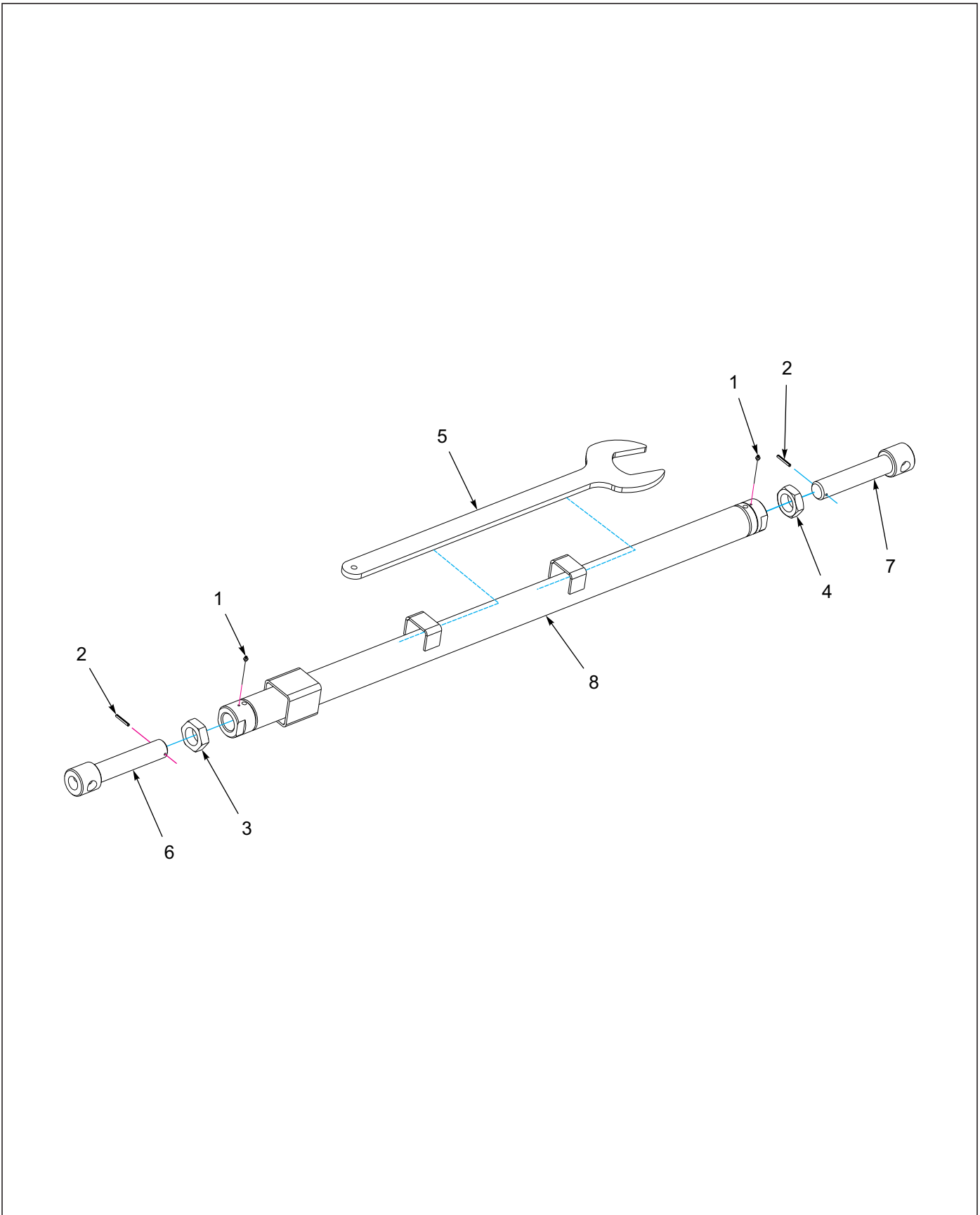


Figure 1-21: Radius Rod Assembly - 2

Radius Rod Assembly - 2

ITEM	PART NO.	DESCRIPTION	QTY.
--	183945	RADIUS ROD ASSEMBLY - 2	
1	1-298-010001-1	FITTING, GREASE 1/4-28 STR SHORT	2
2	1-647-010004221	ROLL PIN, SLTD, 1/4 X 2	2
3	137931	NUT, 2-12, HEX JAM, UNF GR5	1
4	139139	NUT, 2-12, HEX JAM, LH THREAD G5	1
5	179763	WRENCH, ADJUSTMENT	1
6	182336	SCREW ASSEMBLY, RIGHT HAND, RADIUS ROD - 2	1
7	182339	SCREW ASSEMBLY, LEFT HAND, RADIUS ROD	1
8	183946	HITCH, RADIUS ROD - 2	1

Disc Gang Assembly - 22" 4GA

ITEM	PART NO.	DESCRIPTION	QTY.
1	1-512-010005-09	NUT, HEX, SLFLKG, 1/2-13 GRB	36
2	1-512-010005-15	NUT, HEX, SLFLKG, GRB 3/4-10	12
3	1-647-010004257	PIN, SPRING, SLOTTED 3/8 X 2-1/2	4
4	1-654-010032-09	SCREW, HEX CAP, 3/4-10 X 3 GR8	8
5	1-654-010070-02	SCREW, 1/2-13 X 1 -1/4 RD HD SQ NCK	28
6	1-861-010034-17	WASHER, LKG, HLCL SPR, 3/4	8
7	140469	END COLLAR	4
8	140477	BEARING, DISC 1.775 ID ASSY	4
9	140479	MOUNT, TRUNNION BEARING	8
10	140480	WASHER, TRUNNION	8
11	140485	HALF SPOOL, CONCAVE	4
12	140487	UBOLT, SCRAPER BAR MOUNT	4
13	141154	WASHER, GANG SHAFT	8
14	141776	SCREW, HEX, CAP 3/4-10 UNC X 3-1/2 GR5B	12
15	144155	ARM, SCRAPER	10
16	145208	SHAFT, GANG, (SEE PAGE 1-50)	1
17	148386	SHANK, DISC BEARING, STRAIGHT	4
18	151550	SCRAPER, 4"	14
19	182401	END WASHER, DISC GANG (CENTER FRONT GANGS ONLY)	10
20	155617	DISC BLADE, 22" X 1/4", 1-3/4 ID	13
20	155618	DISC BLADE, 22" X 1/4", 1-3/4 ID - ROLLABLE	13
21	155619	DISC BLADE, 20" X 1/4", 1-3/4 ID - ROLLABLE	1
22	160161	SHAKER BOLT, 1/2-13 X 1-3/4, GR8 ZP	10
23	172509	NUT, 1/2-13 WIDE FLNG TOP LCK F	10
24	179742	LIFT, DISC GANG (SEE PAGE 1-50)	1
25	179756	CLAMP PLATE, 2 HOLE	4
26	179757	HALF SPOOL, CONVEX 7-1/2 SP	4
27	179758	SPOOL WELDMENT, 7-1/2 SP	8
28	179761	SCRAPER BAR MOUNT, LEFT	4
28	179760	SCRAPER BAR MOUNT, RIGHT (NOT SHOWN)	4
29	179766	SCRAPER BAR (SEE PAGE 1-50)	1
30	23085	NUT, HEX, SLOTTED 1-3/4-5	4
31	5000	ZERK, FITTING 1/8 NPT	4
32	622-3511-008	WASHER, FLAT 3/4 MIL-CARB SAE	12
33	1-512-010005-13	NUT, HEX, SLFLKG, 5/8-11 UNC, GRB	22
34	113791	SCREW, HEX CAP, 5/8-11 UNC X 12-1/2, GR5 (WING FRAME)	8
34	123096	SCREW, HEX CAP, 5/8-11 UNC X 7-1/2, GR5 (CENTER FRAME)	8
35	182398	CLAMP PLATE, 2-HOLE (WING FRAME ONLY)	4
36	2P793	INSERT-BEARING, 4-1/2	16
37	2P794	BEARING HALF, 4-1/2 INSERT	16

ILLUSTRATED PARTS LIST

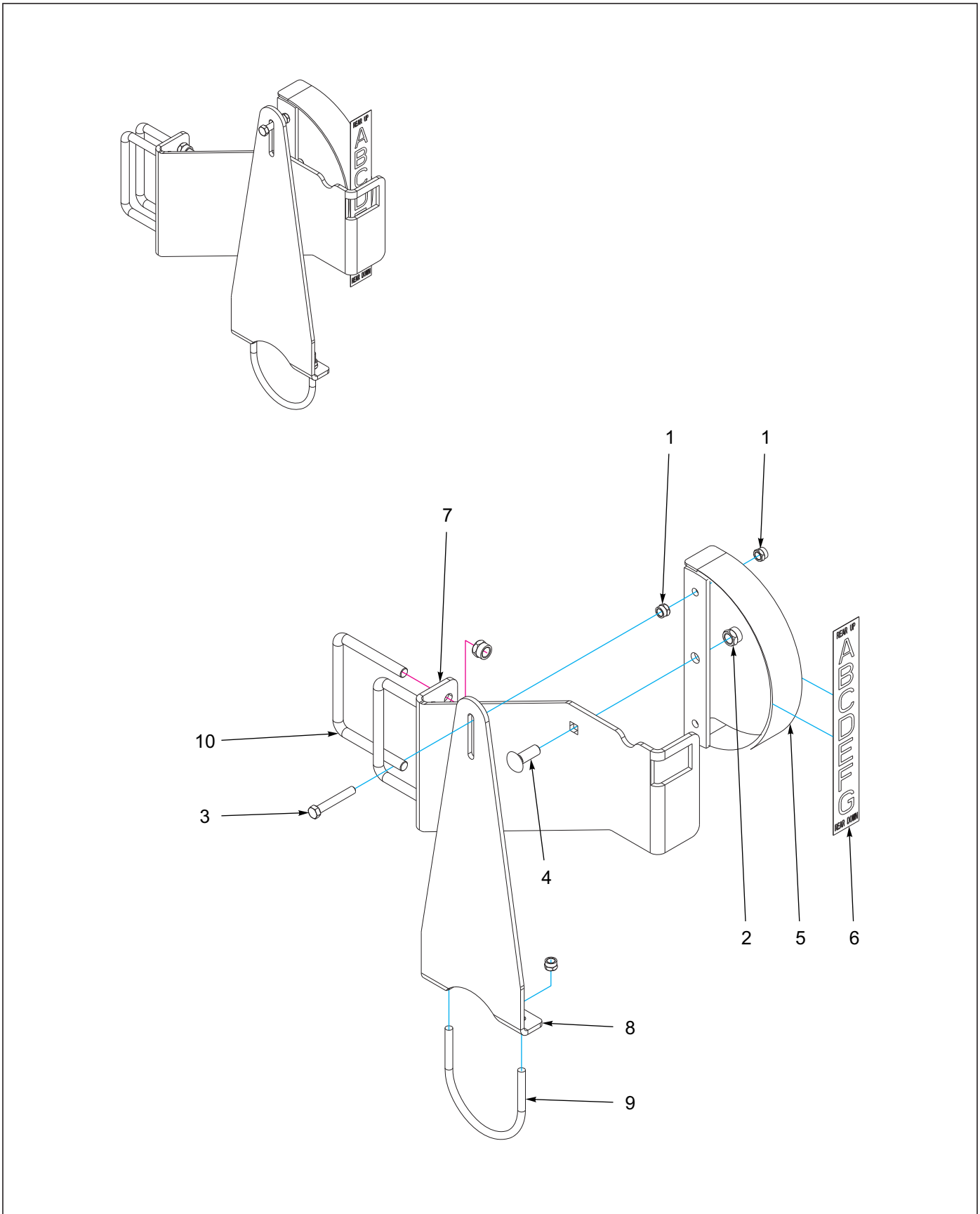


Figure 1-23: Depth Gauge Assembly

Depth Gauge Assembly

ITEM	PART NO.	DESCRIPTION	QTY.
--	183927	DEPTH GAUGE ASSEMBLY	1
1	1-512-010005-05	NUT, HEX, SLFLKG GRB 3/8-16	4
2	1-512-010005-09	NUT, HEX, SLFLKG, 1/2-13 UNC, GRB	5
3	1-654-010051-11	SCREW, HEX, 3/8-16 UNC X 2-1/2, GR5	1
4	1-654-010070-03	SCREW, RDH, SQ NK, 1/2-13 X 1-1/2	1
5	141241	GAUGE, LEVEL INDICATOR	1
6	141263	DECAL, LEVEL INDICATOR	1
7	183925	MOUNT, DEPTH GAUGE	1
8	183926	MOUNT, DEPTH GAUGE ARM	1
9	2-102-010062	U-BOLT, 4.937 X 5	1
10	7K858	U-BOLT, 1/2-13 X 5-1/2 X 4-1/4	2

Disc Gang Shields

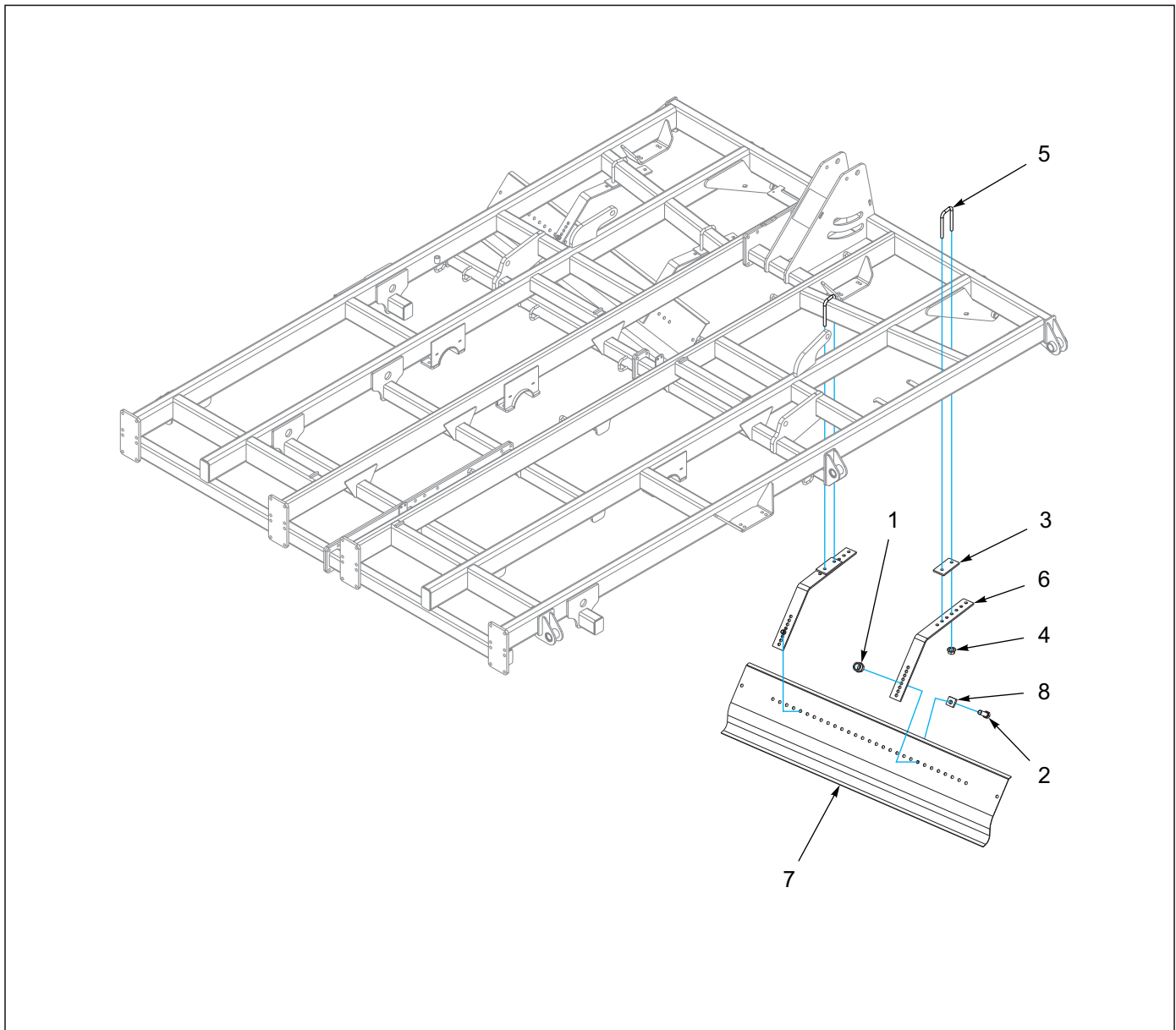


Figure 1-24: Disc Gang Shield - Center Frame 19'-30'

Disc Gang Shield - Center Frame 19'-30'

ITEM	PART NO.	DESCRIPTION	QTY.
1	1-512-010005-13	NUT, HEX, SLFLKG, 5/8-11 UNC, GRB	4
2	1-654-010059-05	SCREW, HEX, 5/8-11 UNC X 2 GR5	4
3	100693	CLAMP BRACKET	4
4	29SFFL 5811	NUT, FLANGE, HEAD LOCK, 5/8-11 UNC	8
5	203182	U-BOLT 5/8-11X7X3-11/16	4
6	8-681-010008	ADJUSTABLE BRACKET, SPRAY SHIELD	4
7	8-681-010014	SPRAY SHIELD, 69", 19'-25'	2
7	8-681-010009	SPRAY SHIELD, 76", 27'-30'	2
8	8-681-010010	BACKUP PLATE	4

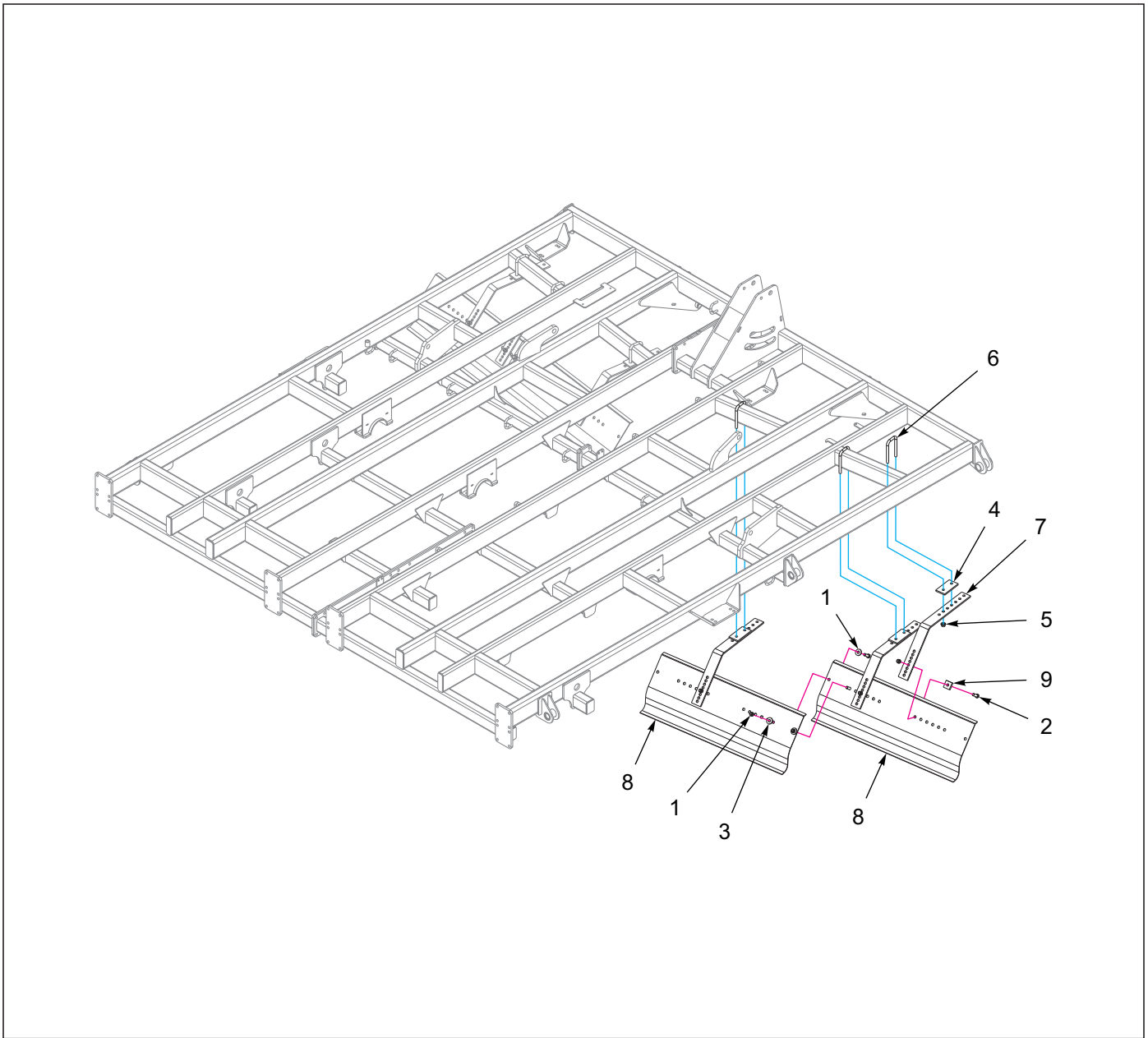


Figure 1-25: Disc Gang Shield - Center Frame 33'-35'

Disc Gang Shield - Center Frame 33'-35'

ITEM	PART NO.	DESCRIPTION	QTY.
1	1-512-010005-13	NUT, HEX, SLFLKG, 5/8-11 UNC, GRB	10
2	1-654-010059-05	SCREW, HEX, 5/8-11 UNC X 2 GR5	10
3	1-861-010032-19	WASHER, FLAT, ZP/CD, 5/8W	8
4	100693	CLAMP BRACKET	6
5	29SFFL 5811	NUT, FLANGE, HEAD LOCK, 5/8-11 UNC	12
6	203182	U-BOLT 5/8-11X7X3-11/16	6
7	8-681-010008	ADJUSTABLE BRACKET, SPRAY SHIELD	6
8	8-681-010013	SPRAY SHIELD, 48"	4
9	8-681-010010	BACKUP PLATE	6

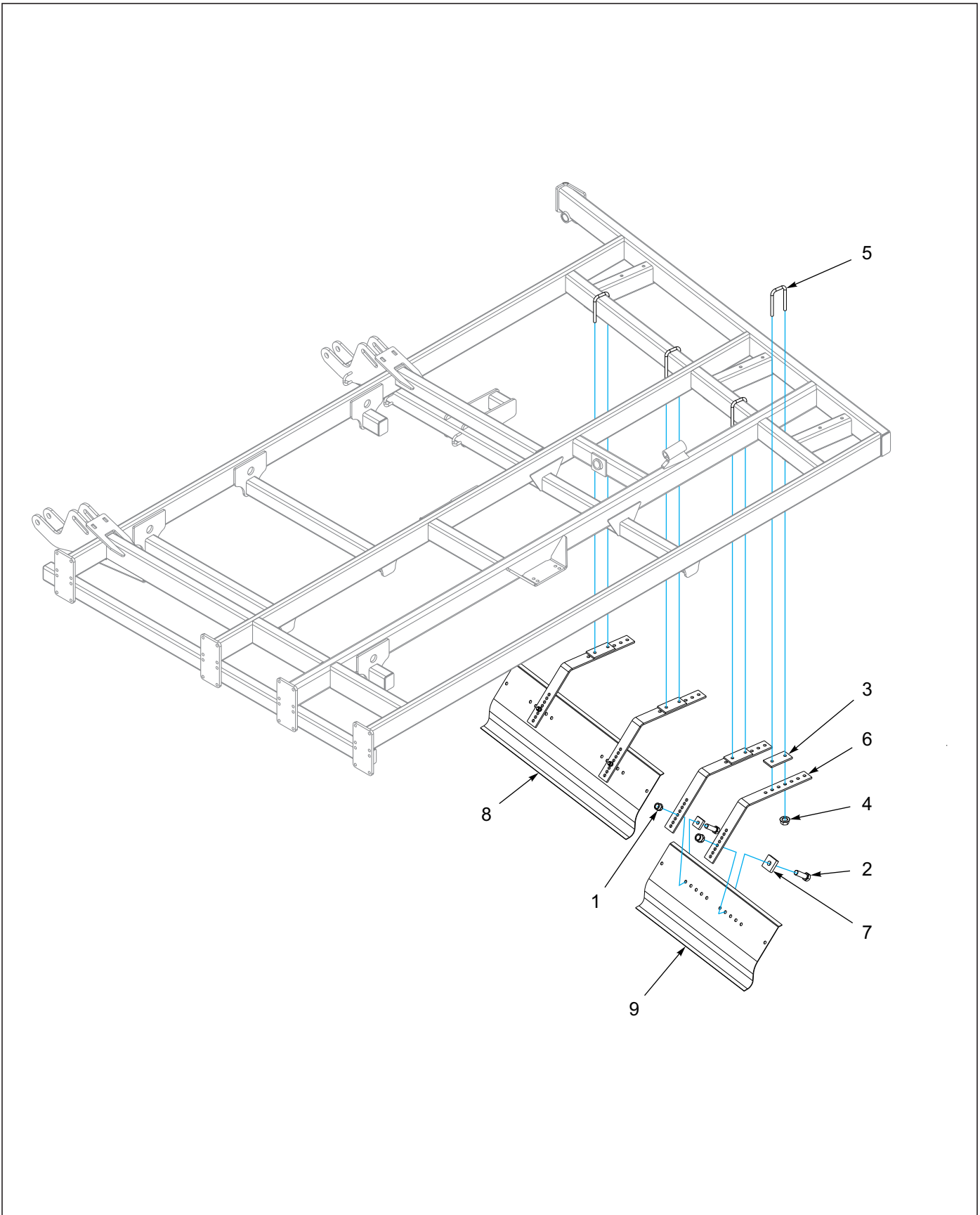


Figure 1-26: Disc Gang Shield - Wing

Disc Gang Shield - Wing

ITEM	PART NO.	DESCRIPTION	QTY.
1	1-512-010005-13	NUT, HEX, SLFLKG, 5/8-11 UNC, GRB	4
2	1-654-010059-05	SCREW, HEX, 5/8-11 UNC X 2 GR5	4
3	100693	CLAMP BRACKET	4
4	29SFFL 5811	NUT, FLANGE, HEAD LOCK, 5/8-11 UNC	8
5	203182	U-BOLT 5/8-11X7X3-11/16	4
6	8-681-010008	ADJUSTABLE BRACKET, SPRAY SHIELD	4
7	8-681-010010	BACKUP PLATE	4
8	8-681-010009	SPRAY SHIELD, 76", 25'-27'	1
8	8-681-010012	SPRAY SHIELD, 55", 30'-35'	1
8	8-681-010013	SPRAY SHIELD, 48", 19'	1
8	8-681-010014	SPRAY SHIELD, 69", 22'	1
9	8-681-010020	SPRAY SHIELD, 45", 30' & 33'	1
9	8-681-010021	SPRAY SHIELD, 55", 35'	1

Gang Assemblies

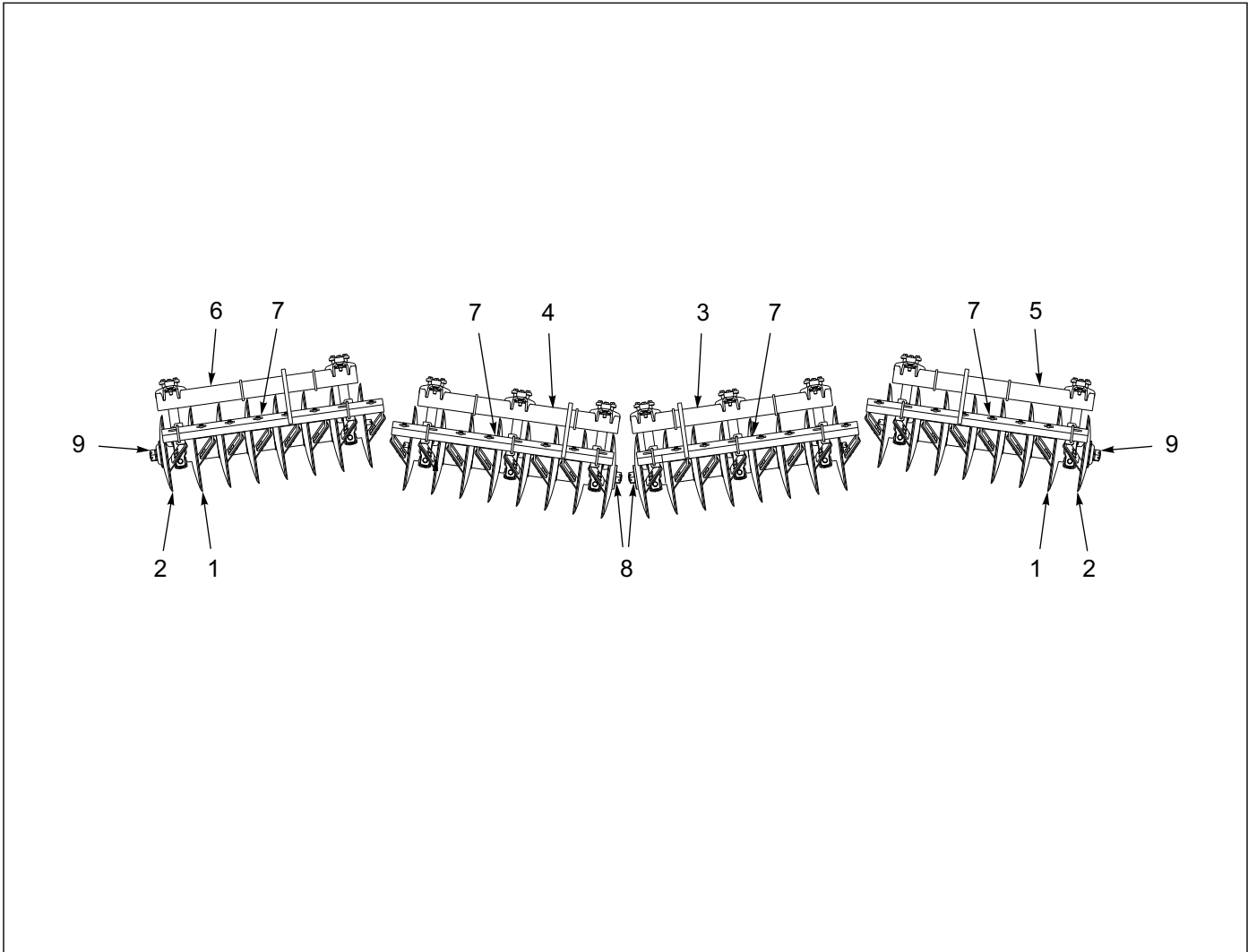


Figure 1-27: Gang Assembly 22'' 4 GA - 19'

Gang Assembly 22'' 4 GA - 19'

ITEM	PART NO.	DESCRIPTION	QTY.
--	179748	GANG ASSEMBLY, 22'' 4 GA, 19'	
--	179660	GANG ASSEMBLY, 22'' 4 GA, 19, ROLLABLE	
1	155617	DISC BLADE 22" X 1/4" 1-3/4 ID	30
1	155618	DISC BLADE 22" X 1/4" 1-3/4 ID - ROLLABLE (USED W/ 179660)	30
2	155619	DISC BLADE 20" X 1/4" 1-3/4 ID - ROLLABLE	2
3	179730	LIFT, DISC GANG, RCF 19'-25'	1
4	179731	LIFT, DISC GANG, LCF 19'-25'	1
5	179736	LIFT, DISC GANG, RWF 19'	1
6	179737	LIFT, DISC GANG, LWF 19'	1
7	179768	SCRAPER BAR, 7-1/2 SP 8 HOLE	4
8	185640	SHAFT, GANG 58 L	2
9	141163	SHAFT, GANG 59 L	2

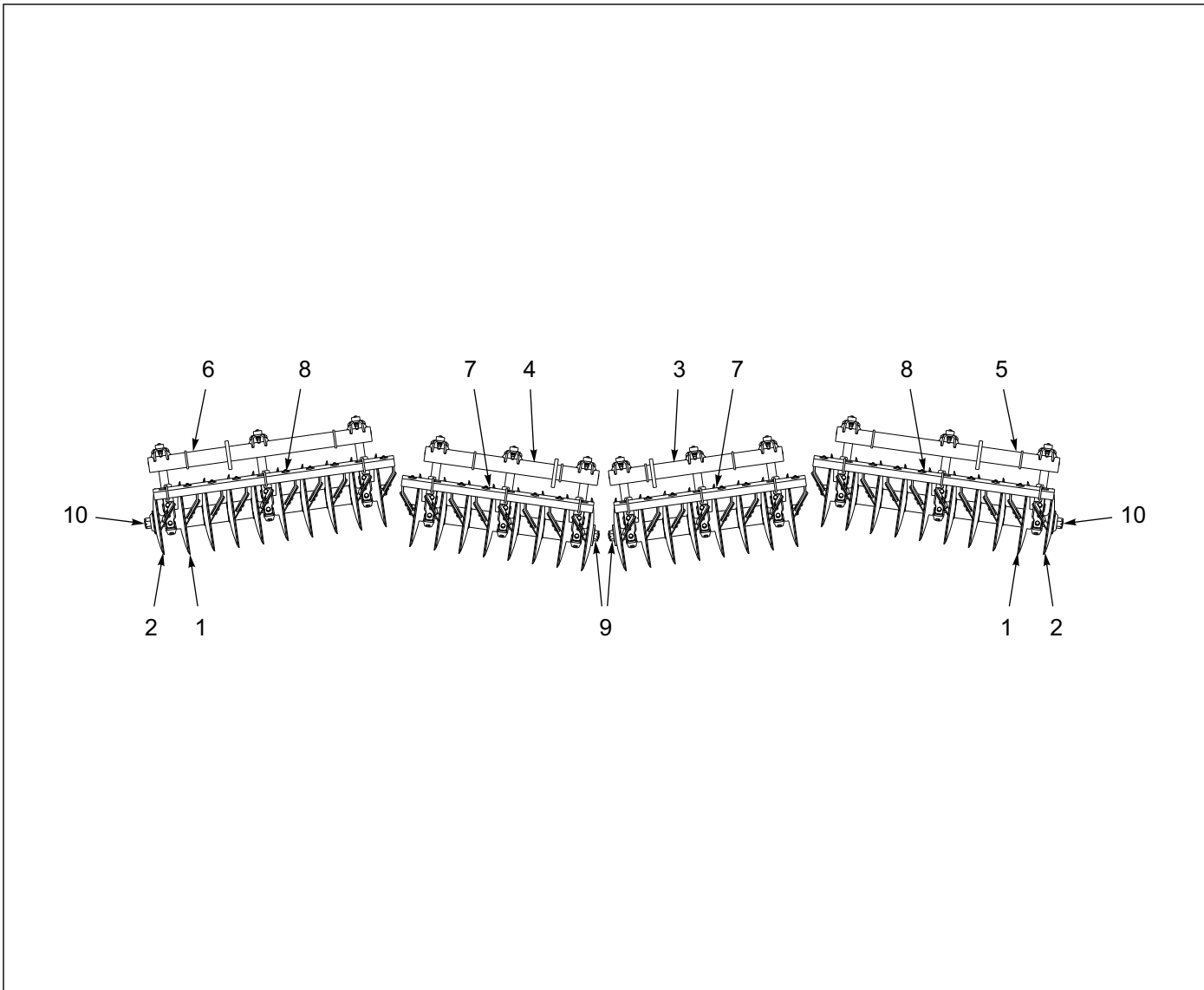


Figure 1-28: Gang Assembly 22'' 4 GA - 22'

Gang Assembly 22'' 4 GA - 22'

ITEM	PART NO.	DESCRIPTION	QTY.
--	179749	GANG ASSEMBLY, 22'' 4 GA, 22'	
--	179661	GANG ASSEMBLY, 22'' 4 GA, 22', ROLLABLE	
1	155617	DISC BLADE 22" X 1/4" 1-3/4 ID	34
1	155618	DISC BLADE 22" X 1/4" 1-3/4 ID - ROLLABLE (USED W/ 179661)	34
2	155619	DISC BLADE 20" X 1/4" 1-3/4 ID - ROLLABLE	2
3	179730	LIFT, DISC GANG, RCF 19'-25'	1
4	179731	LIFT, DISC GANG, LCF 19'-25'	1
5	179738	LIFT, DISC GANG, RWF 22'	1
6	179739	LIFT, DISC GANG, LWF 22'	1
7	179768	SCRAPER BAR, 7-1/2 SP 8 HOLE	2
8	179770	SCRAPER BAR, 7-1/2 SP 10 HOLE	2
9	185640	SHAFT, GANG 58 L	2
10	145212	SHAFT, GANG 74 L	2

ILLUSTRATED PARTS LIST

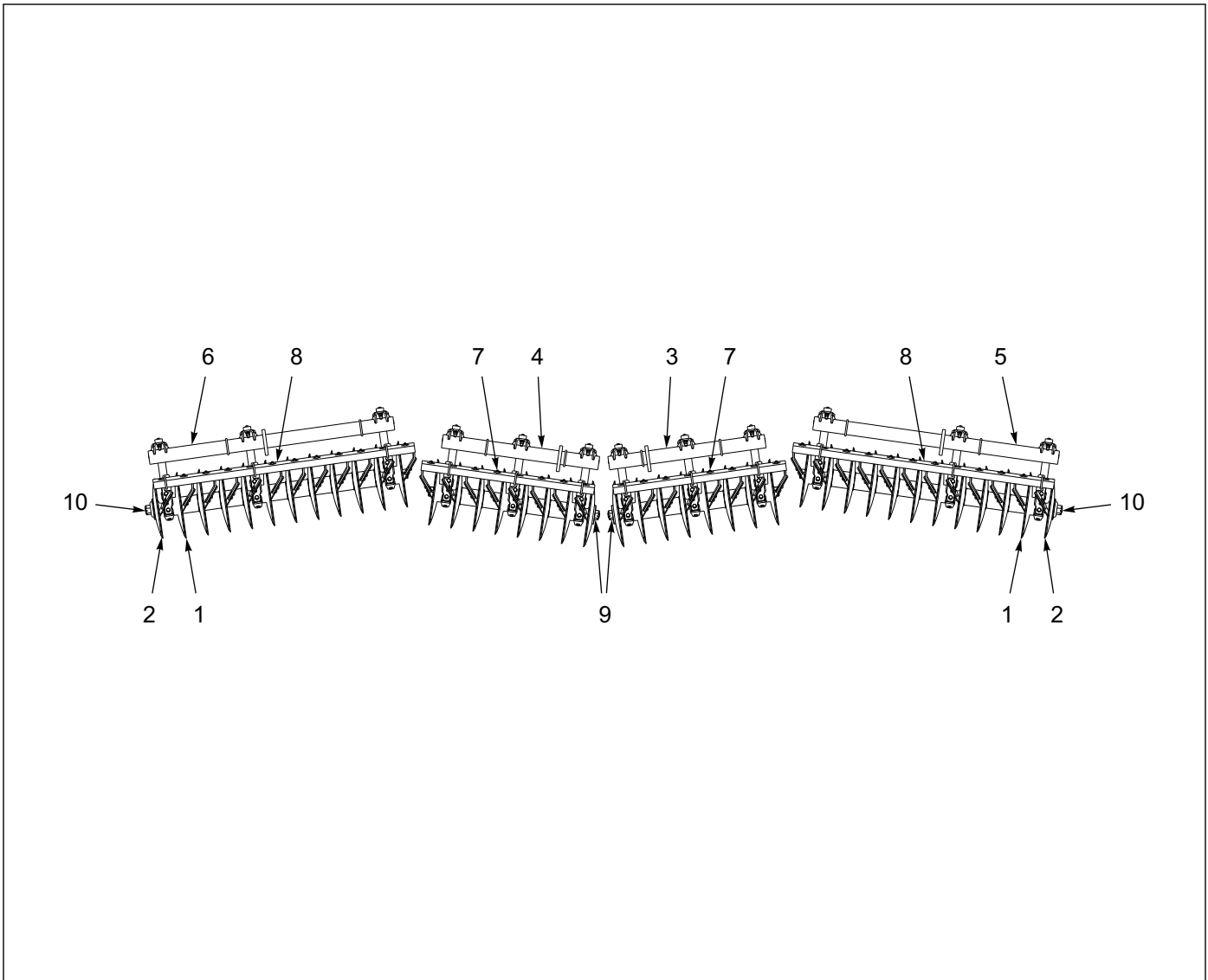


Figure 1-29: Gang Assembly 22'' 4 GA - 25'

Gang Assembly 22'' 4 GA - 25'

ITEM	PART NO.	DESCRIPTION	QTY.
--	179750	GANG ASSEMBLY, 22'' 4 GA, 25'	
--	181888	GANG ASSEMBLY, 22'' 4 GA, 25', ROLLABLE	
1	155617	DISC BLADE 22" X 1/4" 1-3/4 ID	38
1	155618	DISC BLADE 22" X 1/4" 1-3/4 ID - ROLLABLE (USED W/ 181888)	38
2	155619	DISC BLADE 20" X 1/4" 1-3/4 ID - ROLLABLE	2
3	179730	LIFT, DISC GANG, RCF 19'-25'	1
4	179731	LIFT, DISC GANG, LCF 19'-25'	1
5	179740	LIFT, DISC GANG, RWF 25'-27'	1
6	179741	LIFT, DISC GANG, LWF 25'-27'	1
7	179768	SCRAPER BAR, 7-1/2 SP 8 HOLE	2
8	179772	SCRAPER BAR, 7-1/2 SP 12 HOLE	2
9	185640	SHAFT, GANG 58 L	2
10	145214	SHAFT, GANG 89 L	2

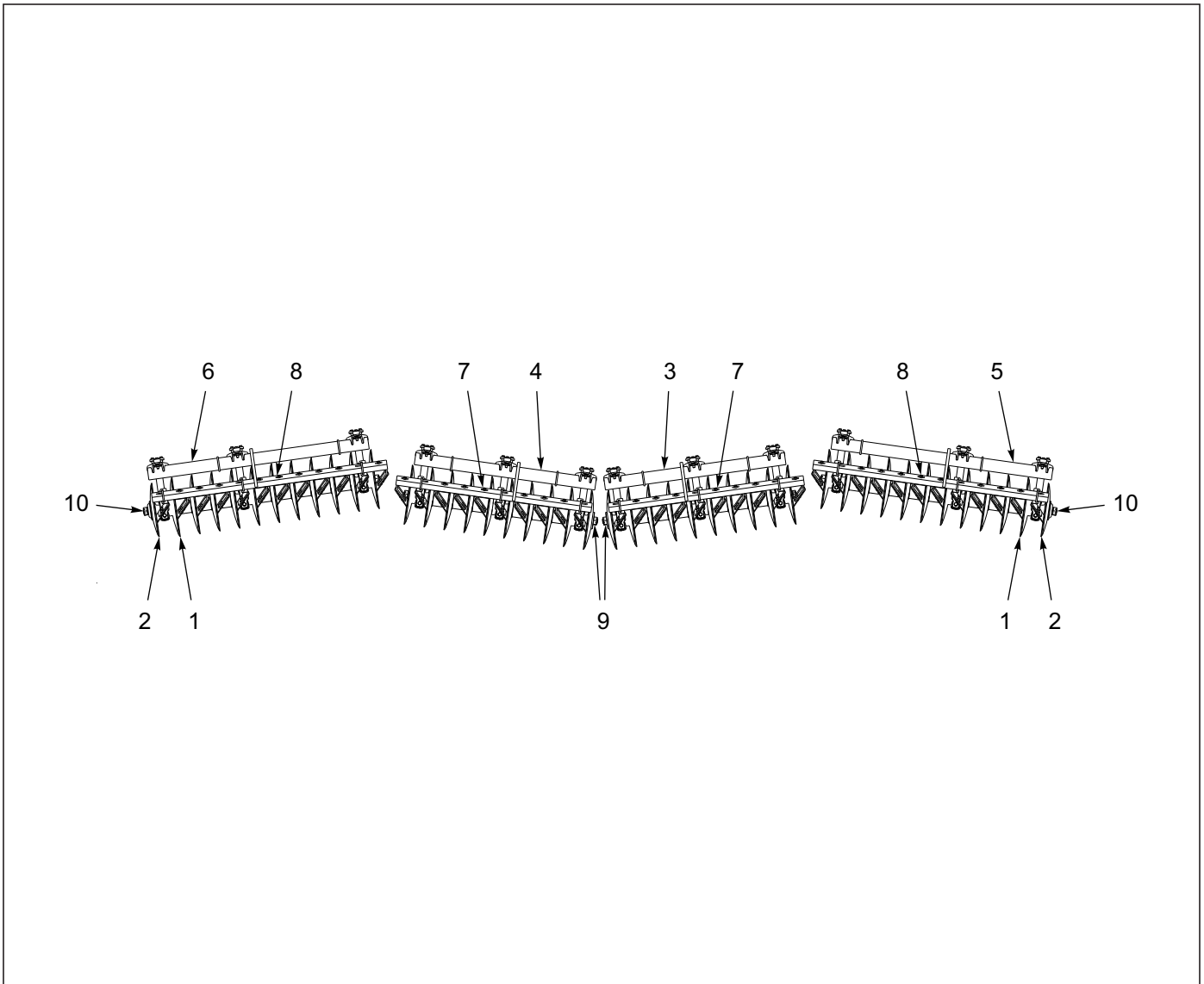


Figure 1-30: Gang Assembly 22'' 4 GA - 27'

Gang Assembly 22'' 4 GA - 27'

ITEM	PART NO.	DESCRIPTION	QTY.
--	179751	GANG ASSEMBLY, 22'' 4 GA, 27'	
--	181903	GANG ASSEMBLY, 22'' 4 GA, 27', ROLLABLE	
1	155617	DISC BLADE 22" X 1/4" 1-3/4 ID	42
1	155618	DISC BLADE 22" X 1/4" 1-3/4 ID - ROLLABLE (USED W/ 181903)	42
2	155619	DISC BLADE 20" X 1/4" 1-3/4 ID - ROLLABLE	2
3	179732	LIFT, DISC GANG, RCF 27'-30'	1
4	179733	LIFT, DISC GANG, LCF 27'-30'	1
5	179740	LIFT, DISC GANG, RWF 25'-27'	1
6	179741	LIFT, DISC GANG, LWF 25'-27'	1
7	179770	SCRAPER BAR, 7-1/2 SP 10 HOLE	2
8	179772	SCRAPER BAR, 7-1/2 SP 12 HOLE	2
9	183882	SHAFT, GANG 73 L	2
10	145214	SHAFT, GANG 89 L	2

ILLUSTRATED PARTS LIST

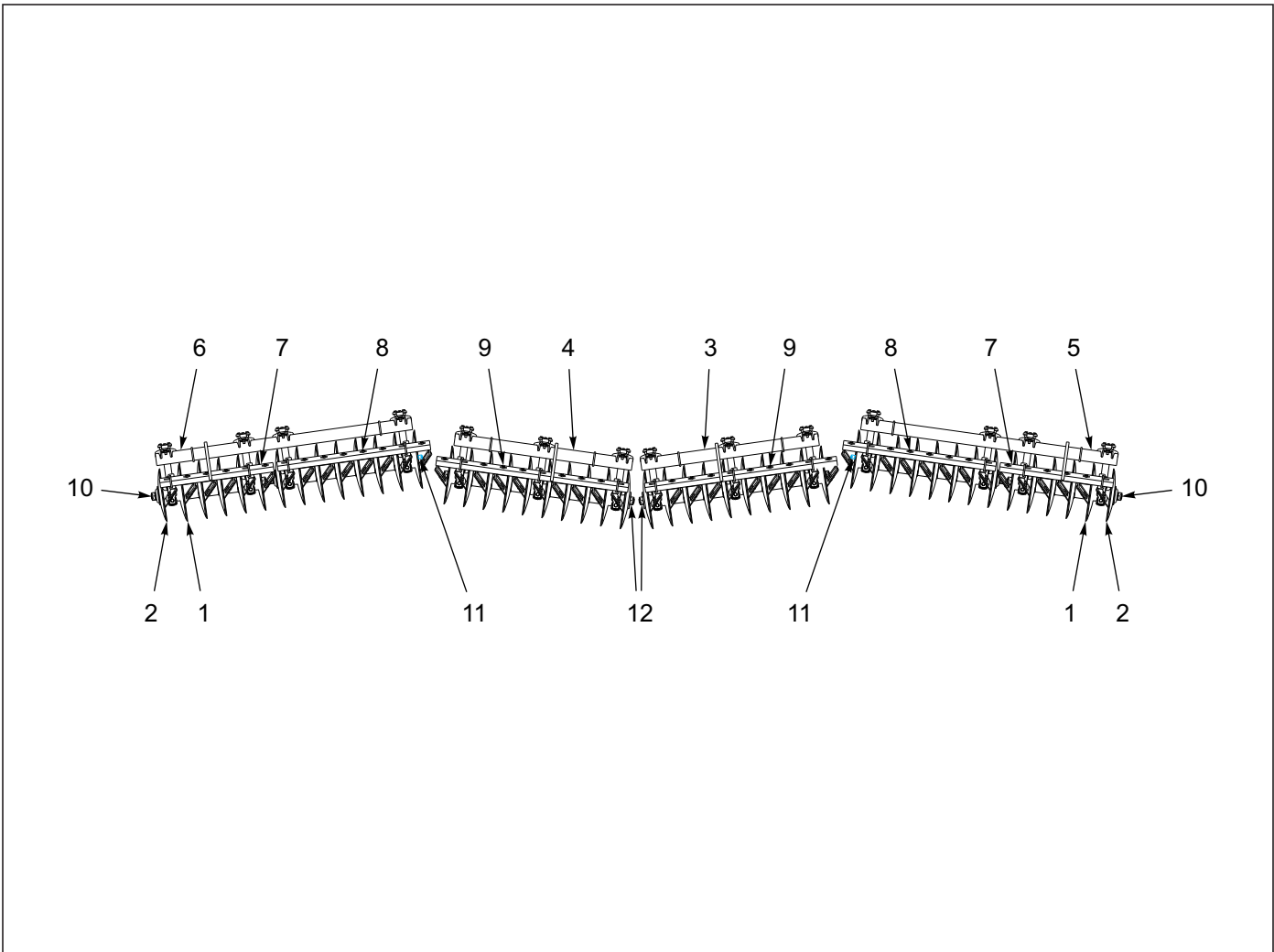


Figure 1-31: Gang Assembly 22'' 4 GA - 30'

Gang Assembly 22'' 4 GA - 30'

ITEM	PART NO.	DESCRIPTION	QTY.
--	179752	GANG ASSEMBLY, 22'' 4 GA, 30'	
--	181910	GANG ASSEMBLY, 22'' 4 GA, 30', ROLLABLE	
1	155617	DISC BLADE 22" X 1/4" 1-3/4 ID	46
1	155618	DISC BLADE 22" X 1/4" 1-3/4 ID - ROLLABLE (USED W/ 181910)	46
2	155619	DISC BLADE 20" X 1/4" 1-3/4 ID - ROLLABLE	2
3	179732	LIFT, DISC GANG, RCF 27'-30'	1
4	179733	LIFT, DISC GANG, LCF 27'-30'	1
5	179742	LIFT, DISC GANG, RWF 27'-30'	1
6	179743	LIFT, DISC GANG, LWF 27'-30'	1
7	179766	SCRAPER BAR, 7-1/2 SP 6 HOLE	2
8	179768	SCRAPER BAR, 7-1/2 SP 8 HOLE	2
9	179770	SCRAPER BAR, 7-1/2 SP 10 HOLE	2
10	145208	SHAFT, GANG 44 L	2
11	141163	SHAFT, GANG 59 L	2
12	183882	SHAFT, GANG 73 L	2

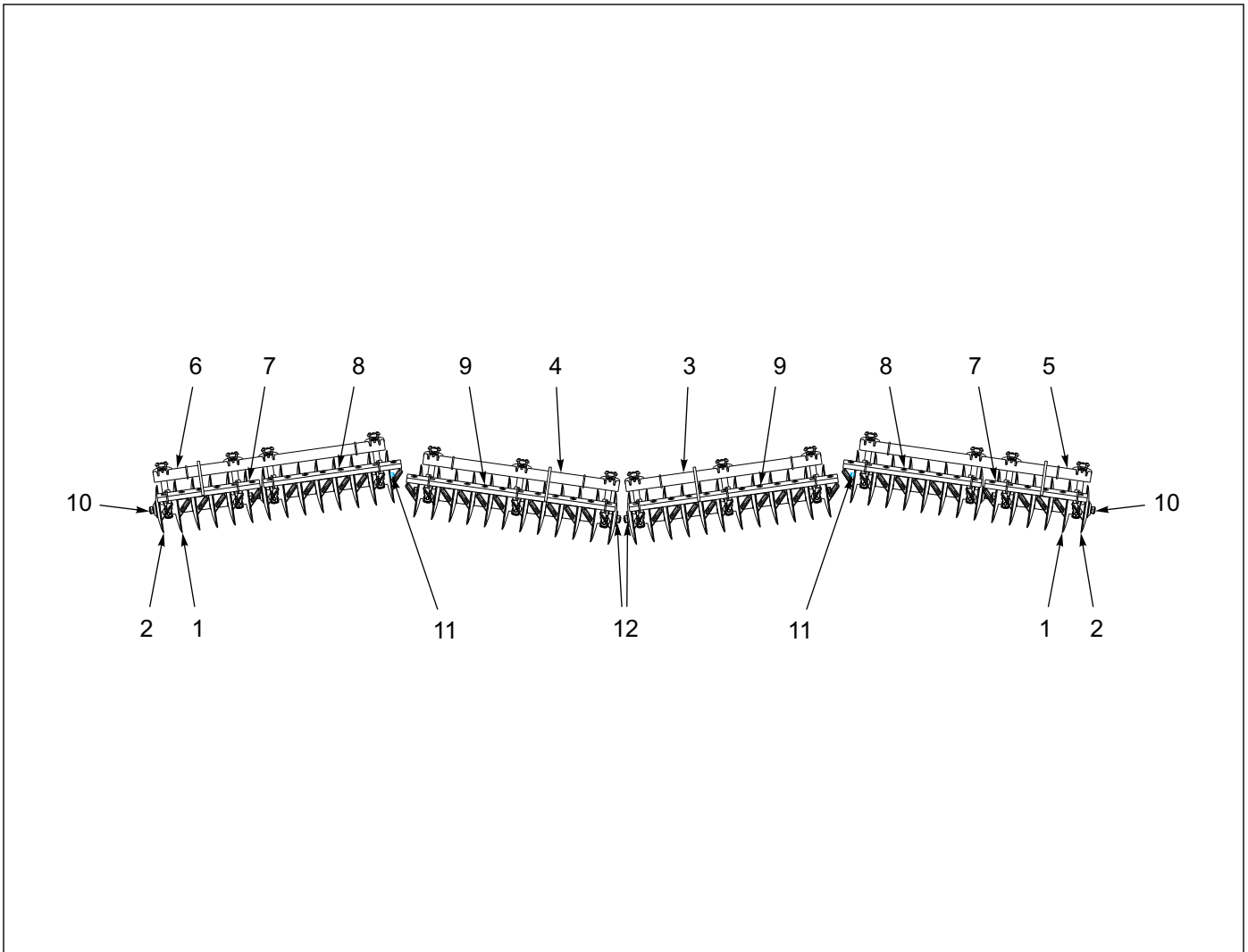


Figure 1-32: Gang Assembly 22'' 4 GA - 33'

Gang Assembly 22'' 4 GA - 33'

ITEM	PART NO.	DESCRIPTION	QTY.
--	179753	GANG ASSEMBLY, 22" 4 GA, 33'	
--	181917	GANG ASSEMBLY, 22" 4 GA, 33', ROLLABLE	
1	155617	DISC BLADE 22" X 1/4" 1-3/4 ID	50
1	155618	DISC BLADE 22" X 1/4" 1-3/4 ID - ROLLABLE (USED W/ 181917)	50
2	155619	DISC BLADE 20" X 1/4" 1-3/4 ID - ROLLABLE	2
3	179734	LIFT, DISC GANG, RCF 33'-35'	1
4	179735	LIFT, DISC GANG, LCF 33'-35'	1
5	179742	LIFT, DISC GANG, RWF 27', 30', 33'	1
6	179743	LIFT, DISC GANG, LWF 27', 30', 33'	1
7	179766	SCRAPER BAR, 7-1/2 SP 6 HOLE	2
8	179768	SCRAPER BAR, 7-1/2 SP 8 HOLE	2
9	179772	SCRAPER BAR, 7-1/2 SP 12 HOLE	2
10	145208	SHAFT, GANG 44 L	2
11	141163	SHAFT, GANG 59 L	2
12	182403	SHAFT, GANG 88 L	2

ILLUSTRATED PARTS LIST

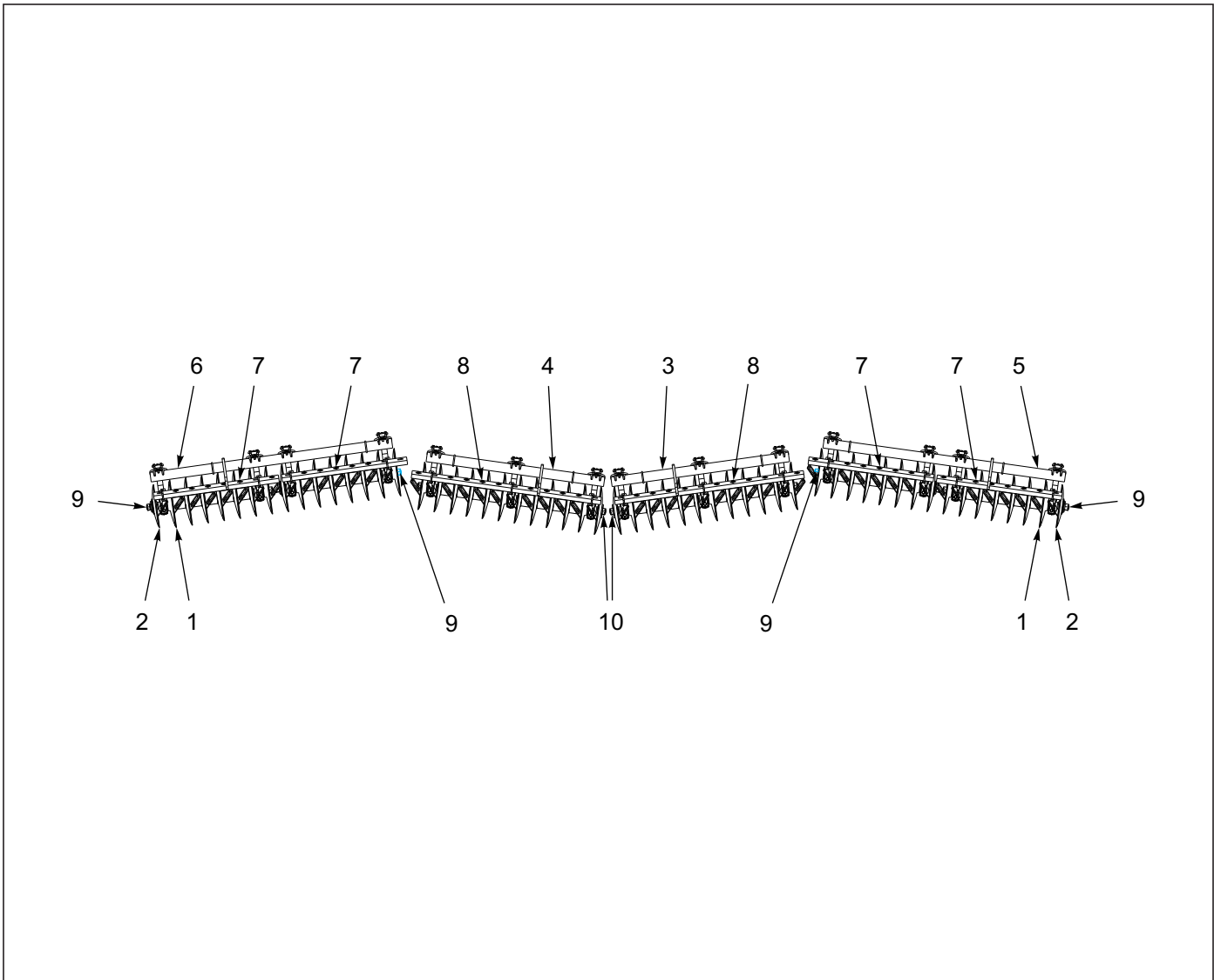


Figure 1-33: Gang Assembly 22'' 4 GA - 35'

Gang Assembly 22'' 4 GA - 35'

ITEM	PART NO.	DESCRIPTION	QTY.
--	179755	GANG ASSEMBLY, 22'' 4 GA, 35'	
--	181928	GANG ASSEMBLY, 22'' 4 GA, 35', ROLLABLE	
1	155617	DISC BLADE 22" X 1/4" 1-3/4 ID	54
1	155618	DISC BLADE 22" X 1/4" 1-3/4 ID - ROLLABLE (USED W/ 181928)	54
2	155619	DISC BLADE 20" X 1/4" 1-3/4 ID - ROLLABLE	2
3	179734	LIFT, DISC GANG, RCF 33'-35'	1
4	179735	LIFT, DISC GANG, LCF 33'-35'	1
5	179744	LIFT, DISC GANG, RWF 35'	1
6	179745	LIFT, DISC GANG, LWF 35'	1
7	179768	SCRAPER BAR, 7-1/2 SP 8 HOLE	4
8	179772	SCRAPER BAR, 7-1/2 SP 12 HOLE	2
9	141163	SHAFT, GANG 59 L	4
10	182403	SHAFT, GANG 88 L	2

Disc Gang Reel Assemblies

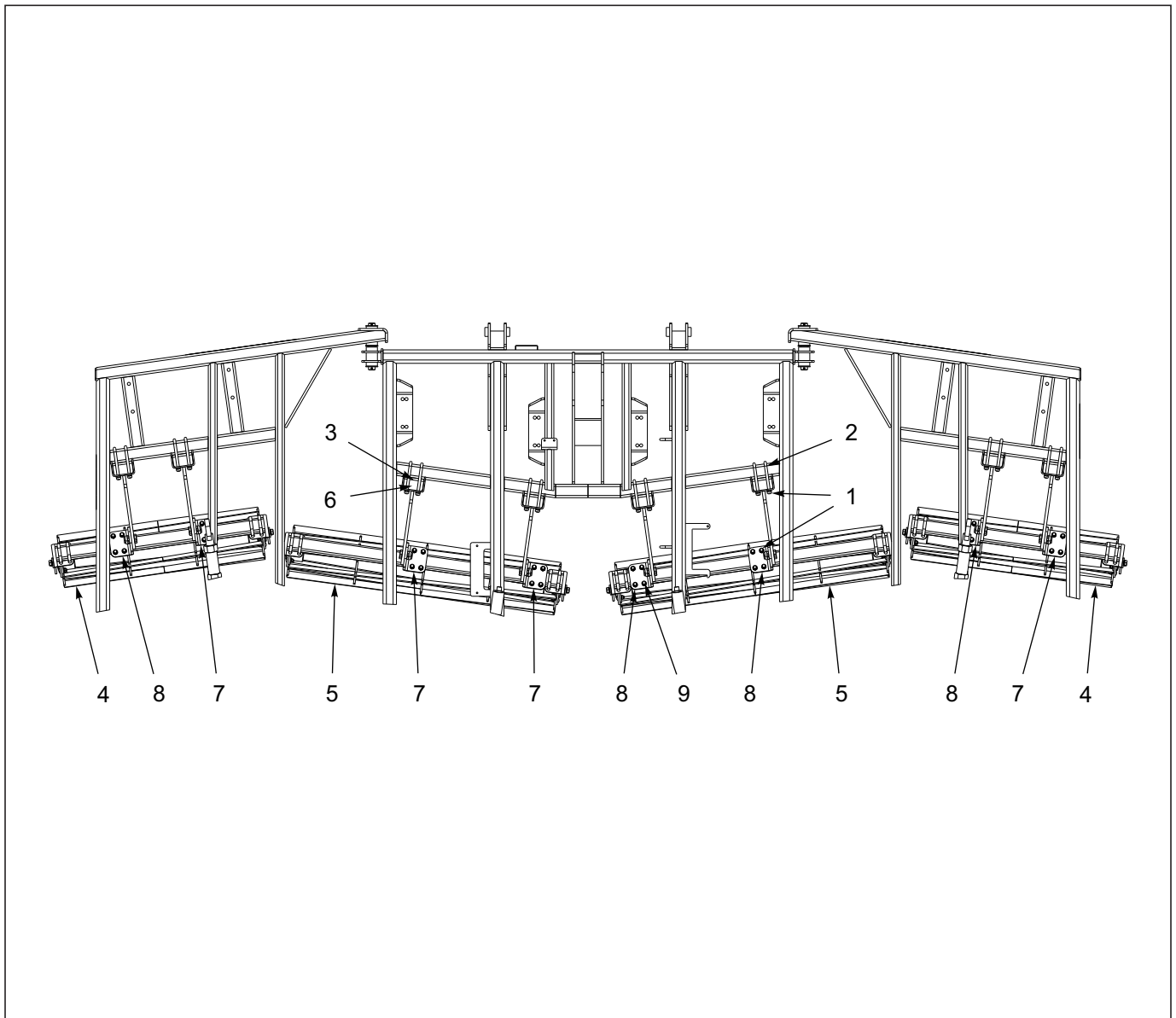


Figure 1-34: Disc Gang Reel Assembly - 19'

Disc Gang Reel Assembly - 19'

ITEM	PART NO.	DESCRIPTION	QTY.
--	186153	REEL ASSY, DISC GANG 19	
1	1-512-010005-13	NUT,HEX SLFLKG GRB 5/8-11	64
2	181363	U-BOLT 5/8-11X5-11/16X6-3/4	16
3	184713	SPRING, TORSION 1-3/4	8
4	203183	REEL ASSY 12 DIA X 45" (SEE PAGE 1-63)	2
5	203184	REEL ASSY 12 DIA X 60" (SEE PAGE 1-63)	2
6	203007	RETAINER SPRING	8
7	203072	REEL ARM ASSY RH (SEE PAGE 1-60)	4
8	203073	REEL ARM ASSY LH (SEE PAGE 1-60)	4
9	8-102-010012	U BOLT	16

ILLUSTRATED PARTS LIST

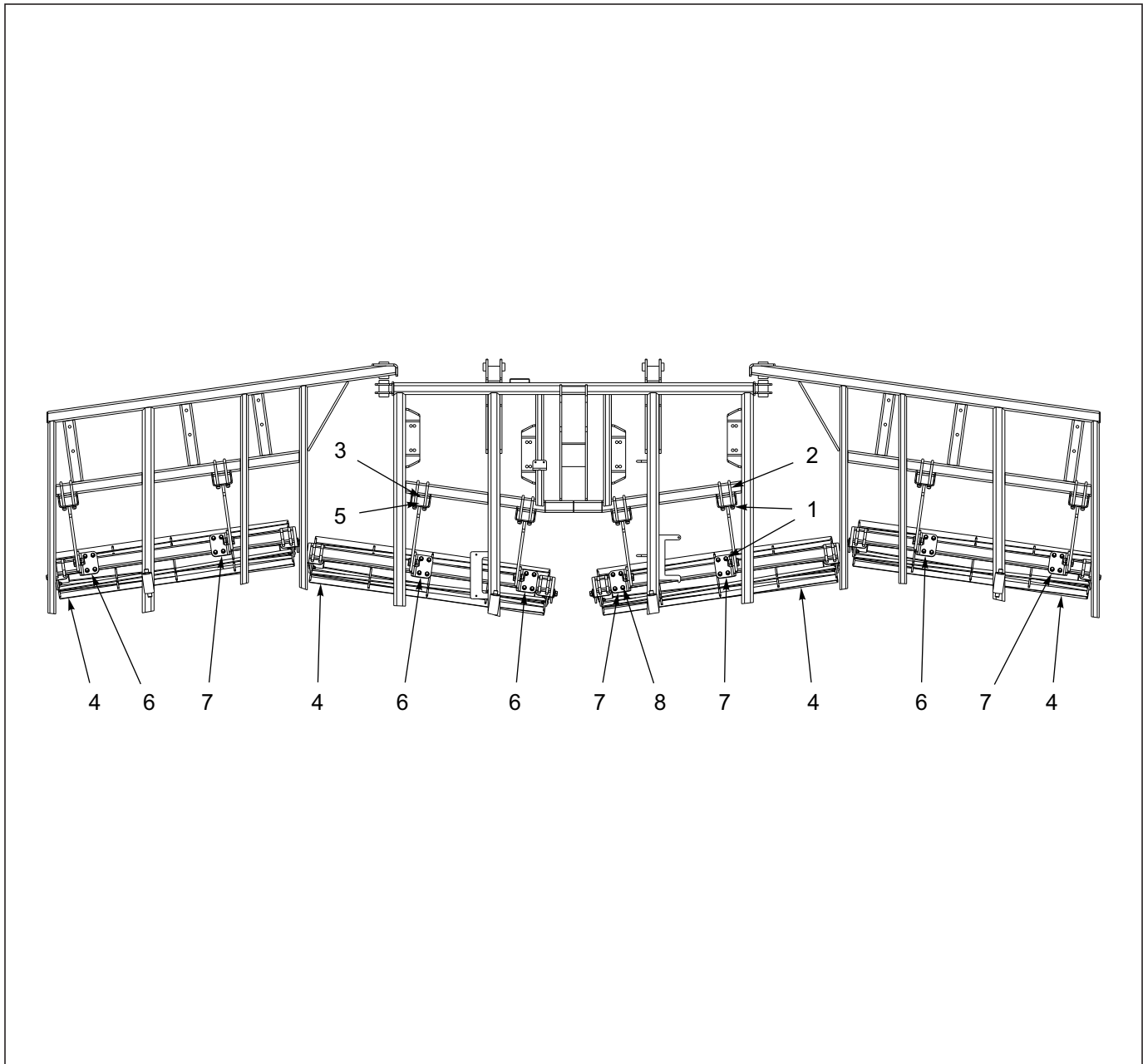


Figure 1-35: Disc Gang Reel Assembly - 22'

Disc Gang Reel Assembly - 22'

ITEM	PART NO.	DESCRIPTION	QTY.
--	186154	REEL ASSY, DISC GANG 22	
1	1-512-010005-13	NUT,HEX SLFLKG GRB 5/8-11	64
2	181363	U-BOLT 5/8-11X5-11/16X6-3/4	16
3	184713	SPRING, TORSION 1-3/4	8
4	203184	REEL ASSY 12 DIA X 60" (SEE PAGE 1-63)	4
5	203007	RETAINER SPRING	8
6	203072	REEL ARM ASSY RH (SEE PAGE 1-60)	4
7	203073	REEL ARM ASSY LH (SEE PAGE 1-60)	4
8	8-102-010012	U BOLT	16

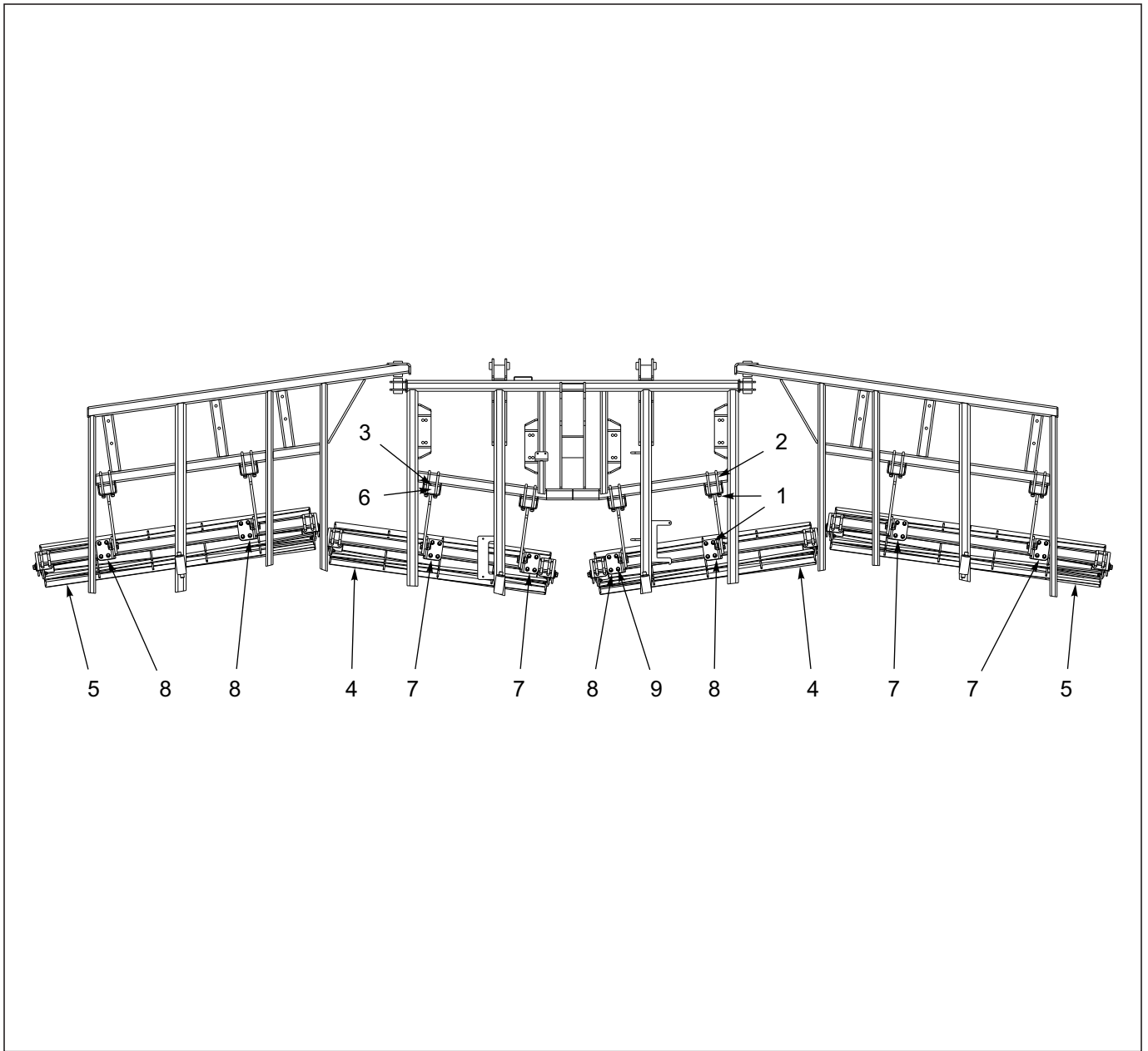


Figure 1-36: Disc Gang Reel Assembly - 25'

Disc Gang Reel Assembly - 25'

ITEM	PART NO.	DESCRIPTION	QTY.
--	186155	REEL ASSY, DISC GANG 25	
1	1-512-010005-13	NUT,HEX SLFLKG GRB 5/8-11	64
2	181363	U-BOLT 5/8-11X5-11/16X6-3/4	16
3	184713	SPRING, TORSION 1-3/4	8
4	203184	REEL ASSY 12 DIA X 60" (SEE PAGE 1-63)	2
5	203185	REEL ASSY 12 DIA X 75" (SEE PAGE 1-63)	2
6	203007	RETAINER SPRING	8
7	203072	REEL ARM ASSY RH (SEE PAGE 1-60)	4
8	203073	REEL ARM ASSY LH (SEE PAGE 1-60)	4
9	8-102-010012	U BOLT	16

ILLUSTRATED PARTS LIST

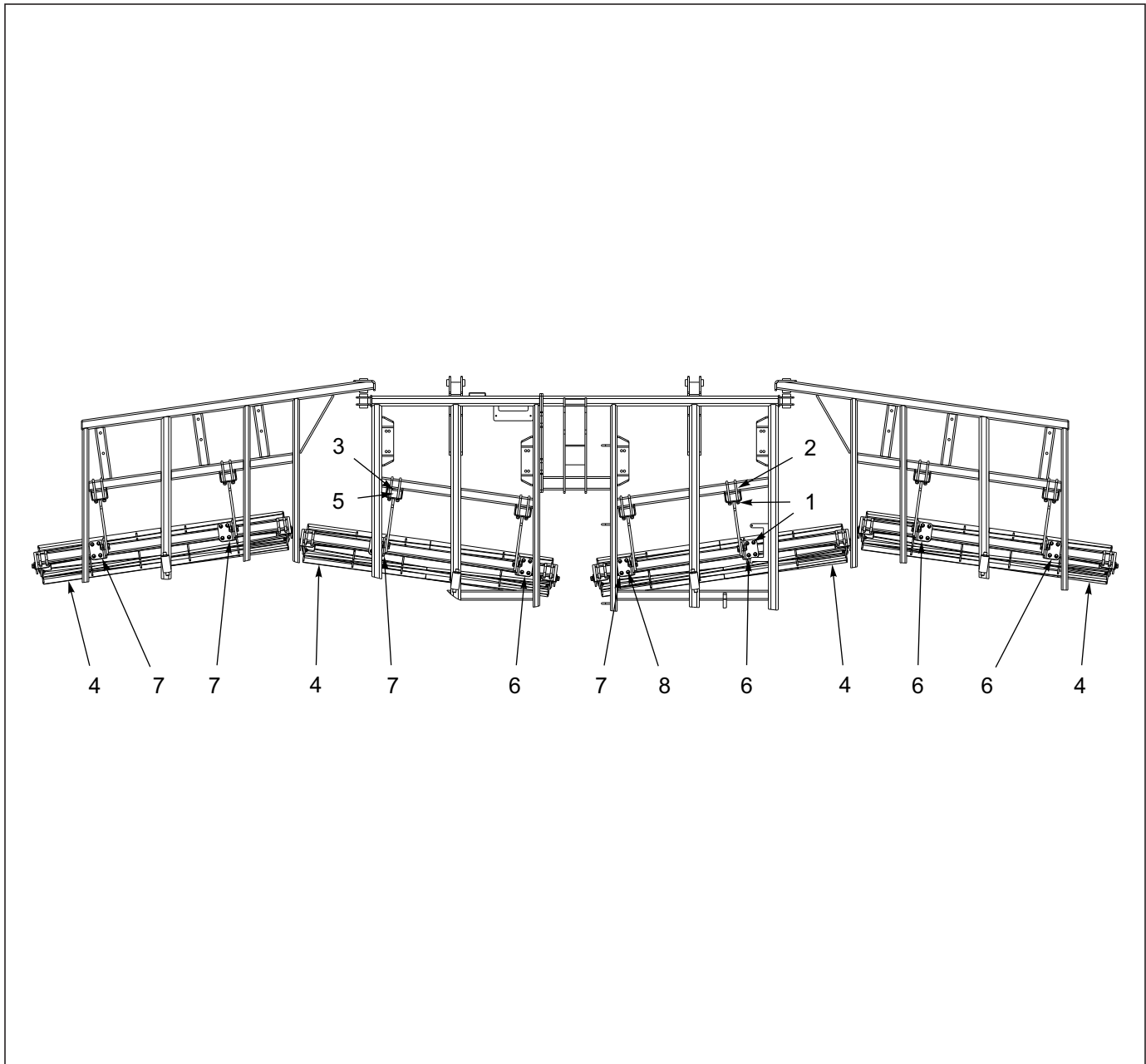


Figure 1-37: Disc Gang Reel Assembly - 27'

Disc Gang Reel Assembly - 27'

ITEM	PART NO.	DESCRIPTION	QTY.
--	186156	REEL ASSY, DISC GANG 27	
1	1-512-010005-13	NUT,HEX SLFLKG GRB 5/8-11	64
2	181363	U-BOLT 5/8-11X5-11/16X6-3/4	16
3	184713	SPRING, TORSION 1-3/4	8
4	203185	REEL ASSY 12 DIA X 75" (SEE PAGE 1-63)	4
5	203007	RETAINER SPRING	8
6	203072	REEL ARM ASSY RH (SEE PAGE 1-60)	4
7	203073	REEL ARM ASSY LH (SEE PAGE 1-60)	4
8	8-102-010012	U BOLT	16

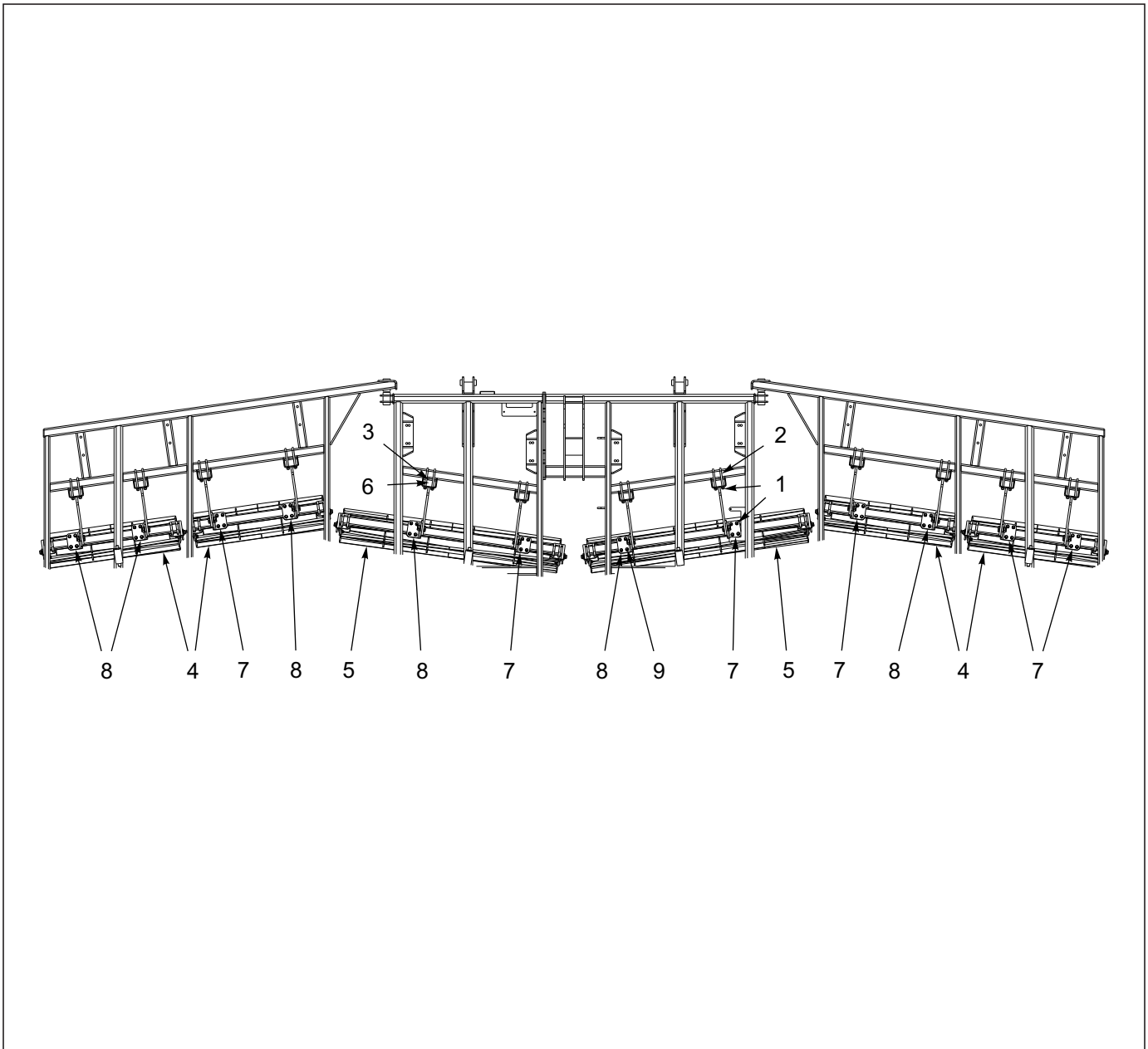


Figure 1-38: Disc Gang Reel Assembly - 30'

Disc Gang Reel Assembly - 30'

ITEM	PART NO.	DESCRIPTION	QTY.
--	186157	REEL ASSY, DISC GANG 30	
1	1-512-010005-13	NUT,HEX SLFLKG GRB 5/8-11	96
2	181363	U-BOLT 5/8-11X5-11/16X6-3/4	24
3	184713	SPRING, TORSION 1-3/4	12
4	203183	REEL ASSY 12 DIA X 45" (SEE PAGE 1-63)	4
5	203185	REEL ASSY 12 DIA X 75" (SEE PAGE 1-63)	2
6	203007	RETAINER SPRING	12
7	203072	REEL ARM ASSY RH (SEE PAGE 1-60)	6
8	203073	REEL ARM ASSY LH (SEE PAGE 1-60)	6
9	8-102-010012	U BOLT	24

ILLUSTRATED PARTS LIST

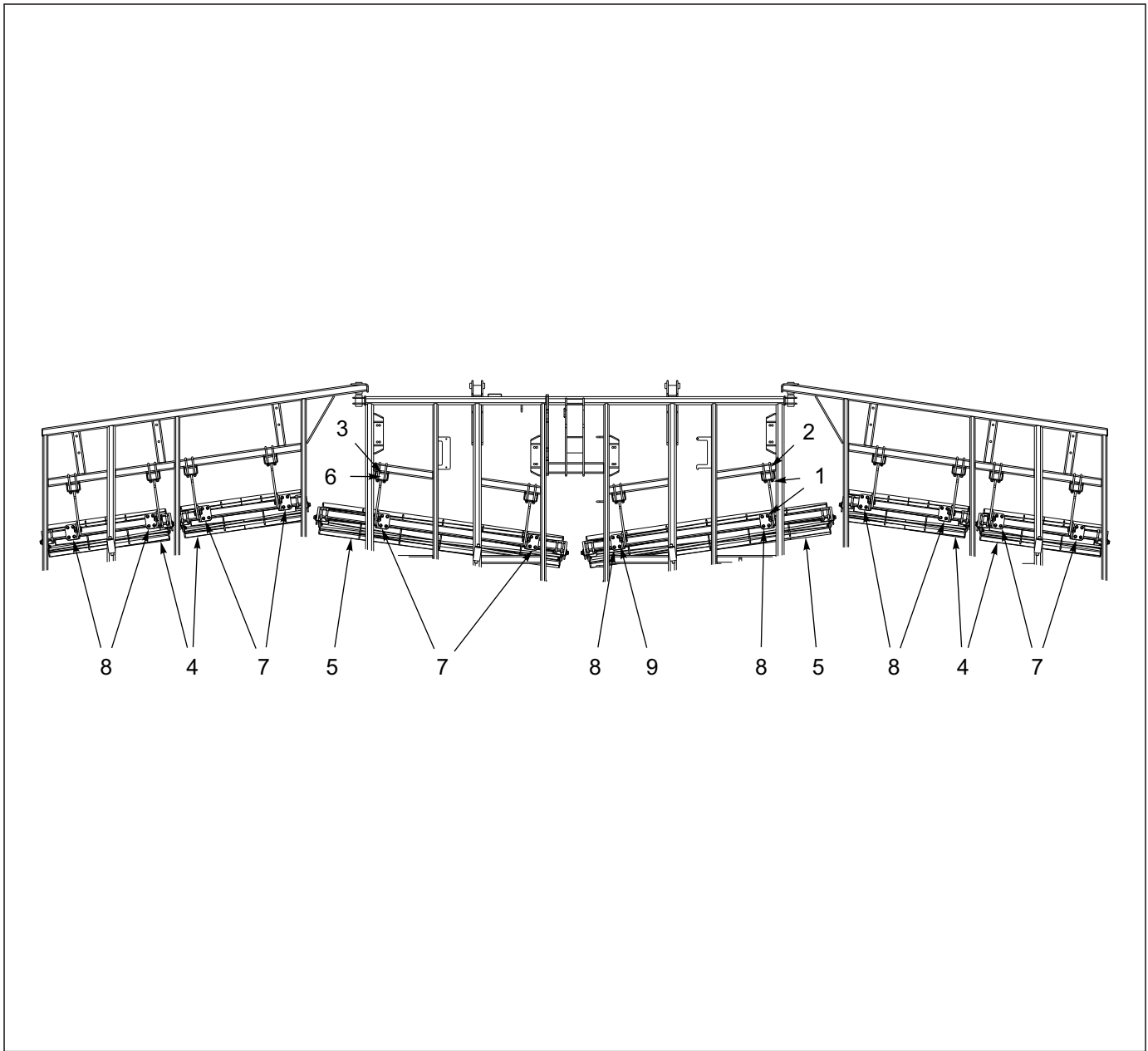


Figure 1-39: Disc Gang Reel Assembly - 33'

Disc Gang Reel Assembly - 33'

ITEM	PART NO.	DESCRIPTION	QTY.
--	186158	REEL ASSY, DISC GANG 33	
1	1-512-010005-13	NUT,HEX SLFLKG GRB 5/8-11	96
2	181363	U-BOLT 5/8-11X5-11/16X6-3/4	24
3	184713	SPRING, TORSION 1-3/4	12
4	203183	REEL ASSY 12 DIA X 45" (SEE PAGE 1-63)	4
5	203186	REEL ASSY 12 DIA X 90" (SEE PAGE 1-63)	2
6	203007	RETAINER SPRING	12
7	203072	REEL ARM ASSY RH (SEE PAGE 1-60)	6
8	203073	REEL ARM ASSY LH (SEE PAGE 1-60)	6
9	8-102-010012	U BOLT	24

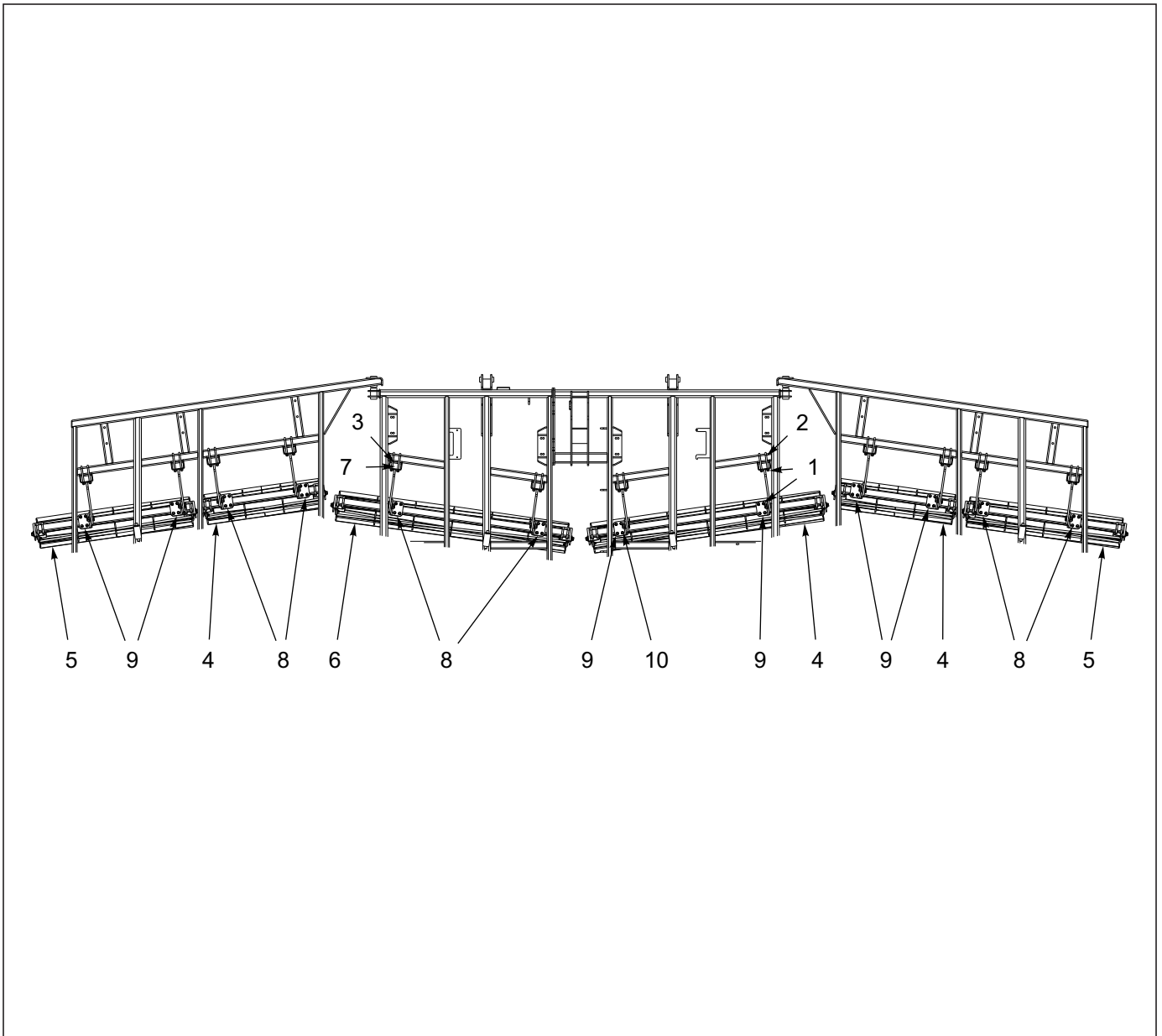


Figure 1-40: Disc Gang Reel Assembly - 35'

Disc Gang Reel Assembly - 35'

ITEM	PART NO.	DESCRIPTION	QTY.
--	186159	REEL ASSY, DISC GANG 35	
1	1-512-010005-13	NUT,HEX SLFLKG GRB 5/8-11	96
2	181363	U-BOLT 5/8-11X5-11/16X6-3/4	24
3	184713	SPRING, TORSION 1-3/4	12
4	203183	REEL ASSY 12 DIA X 45" (SEE PAGE 1-63)	2
5	203184	REEL ASSY 12 DIA X 60" (SEE PAGE 1-63)	2
6	203186	REEL ASSY 12 DIA X 90" (SEE PAGE 1-63)	2
7	203007	RETAINER SPRING	12
8	203072	REEL ARM ASSY RH (SEE PAGE 1-60)	6
9	203073	REEL ARM ASSY LH (SEE PAGE 1-60)	6
10	8-102-010012	U BOLT	24

ILLUSTRATED PARTS LIST

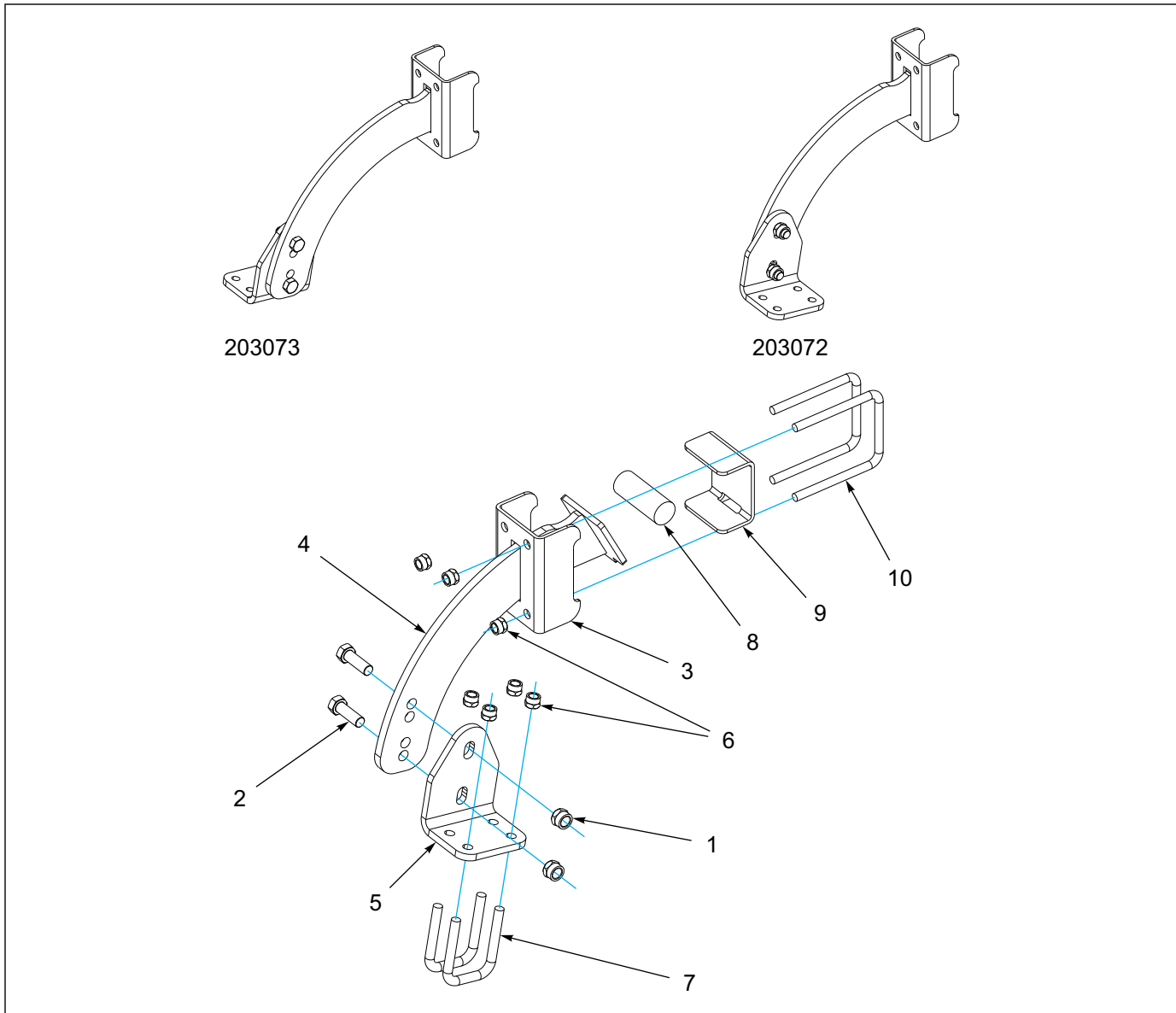


Figure 1-41: Disc Gang Reel Arm Assembly

Disc Gang Reel Arm Assembly

ITEM	PART NO.	DESCRIPTION	QTY.
--	203072	REEL ARM ASSY RH	
--	203073	REEL ARM ASSY LH	
1	1-512-010005-15	NUT,HEX,SLFLKG GRB 3/4-10	2
2	1-654-010061-06	SCREW,HXCP,3/4-10UNCX2-1/4GR5	2
3	203006	MOUNT REEL ARM	1
4	203008	ARM WLDMT, REEL	1
5	203011	MOUNT REEL	1
6	1-512-010005-13	NUT,HEX SLFLKG GRB 5/8-11	8
7	8-102-010012	U BOLT	2
8	184713	SPRING, TORSION 1-3/4	1
9	203007	RETAINER SPRING	1
10	181363	U-BOLT 5/8-11X5-11/16X6-3/4	2

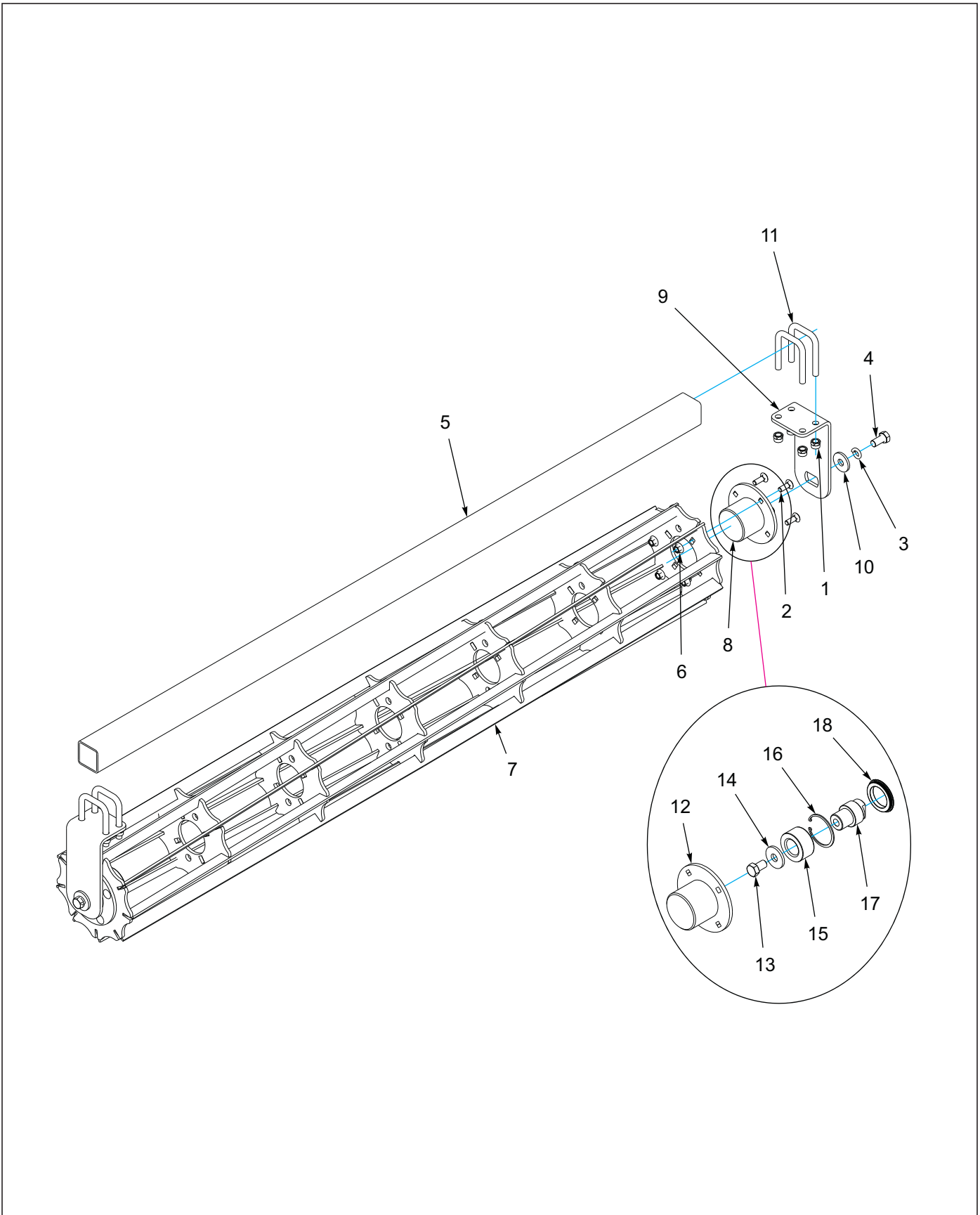


Figure 1-42: Reel Assembly Hub

Reel Assembly Hub

ITEM	PART NO.	DESCRIPTION	QTY.
--	203183	REEL ASSY 12 DIA X 45"	
--	203184	REEL ASSY 12 DIA X 60"	
--	203185	REEL ASSY 12 DIA X 75"	
--	203186	REEL ASSY 12 DIA X 90"	
1	1-512-010005-13	NUT,HEX SLFLKG GRB 5/8-11	8
2	1-654-010070-03	SCREW RDHD SQNK1/2-13X1-1/2	8
3	1-861-010034-17	WASHER,LKG,HLCL SPR,3/4	2
4	108705	SCREW,HEXCAP,3/4-10X1-1/2 GR8	2
5	166339	GANG BAR REEL 47 L (USED WITH 203183)	1
5	166340	GANG BAR REEL 62 L (USED WITH 203184)	1
5	166341	GANG BAR REEL 77 L (USED WITH 203185)	1
5	166342	GANG BAR REEL 92 L (USED WITH 203186)	1
6	172509	NUT,1/2-13 WIDE FLNG TOP LCK F	8
7	200295	REEL, 12" DIA X 45" FLAT WLDMT (USED WITH 193547)	1
7	200296	REEL, 12" DIA X 60" FLAT WLDMT (USED WITH 193548)	1
7	200297	REEL, 12" DIA X 75" FLAT WLDMT (USED WITH 193549)	1
7	200298	REEL, 12" DIA X 90" FLAT WLDMT (USED WITH 193550)	1
8	200222	HUB ASSY REEL	2
9	200238	BEARING MOUNT, REEL	2
10	200259	WASHER, 3/4 HEAVY - 2-1/4	2
11	8-102-010012	U BOLT	4
12	200221	HUB WLDMT REEL	1
13	129263	SCREW HEX CAP 3/4-10 X 1-1/4	1
14	200259	WASHER, 3/4 HEAVY - 2-1/4	1
15	174526	BEARING, DOUBLE TAPER RLLR	1
16	174532	INTERNAL SNAP RING	1
17	200218	SPINDLE REEL BEARING	1
18	185757	SEAL, MAINT FREE HUB HSL	1

Shank Assemblies

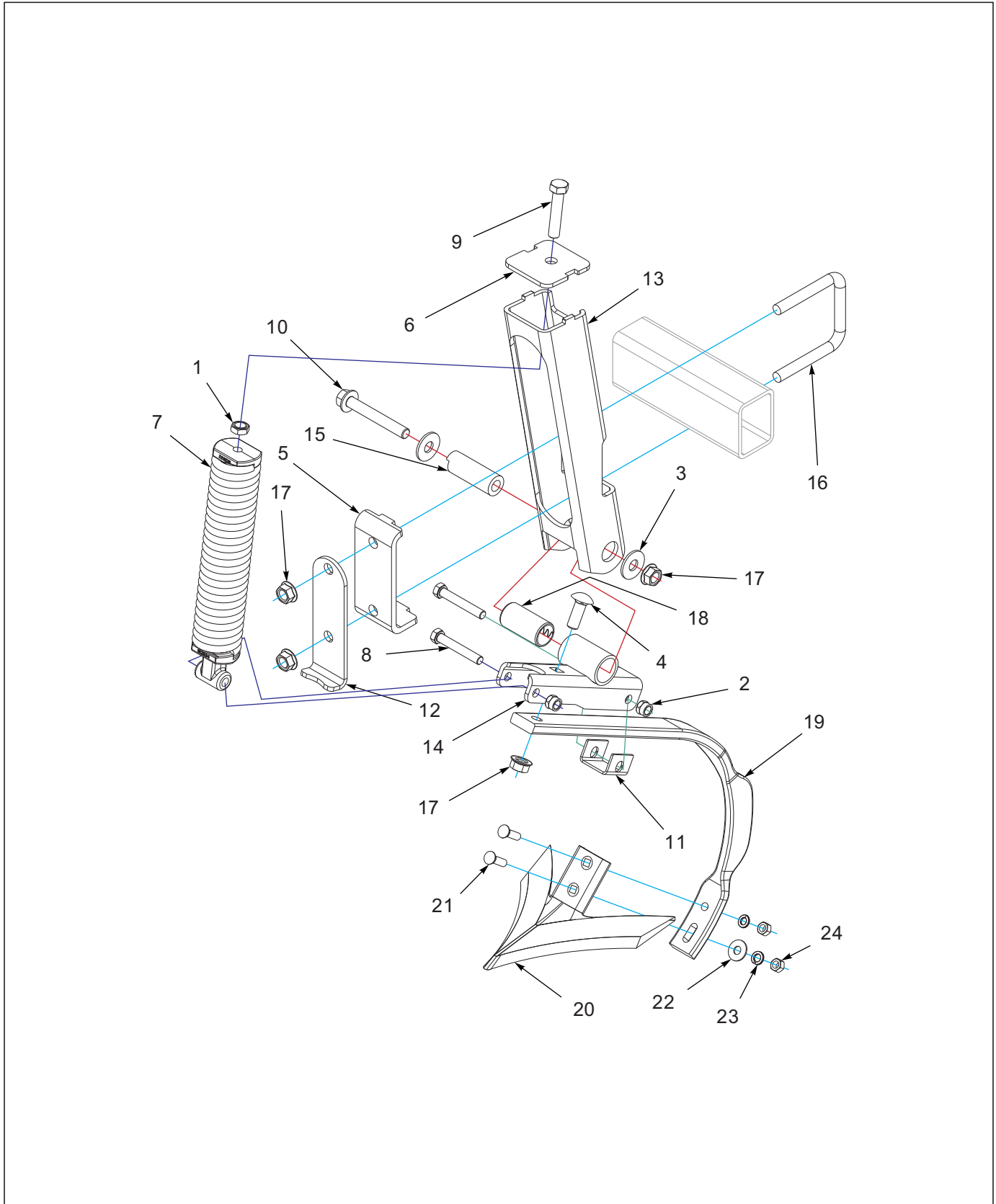


Figure 1-43: Spring Shank Assembly

Spring Shank Assembly

ITEM	PART NO.	DESCRIPTION	QTY.
--	172670	SHANK ASSY, SPRING (INCLUDES ITEMS 1-18)	
1	1-511-010001-07	NUT, HEX JAM 5/8-11	1
2	1-512-010005-09	NUT,HEX,SLFLKG, 1/2-13 GRB	2
3	1-861-010032-19	WASHER, FLAT 5/8 W ZP/CD	2
4	133662	SCRW RDHD SHT SQNK5/8-11X1.75	1
5	162904	CLAMP, SHANK MOUNT	1
6	162906	PLATE, SPRING	1
7	162930	SPRING ASSY	1
8	164146	SCREW, HEX CAP 1/2-13X3-1/4	2
9	164147	SCREW HX CAP5/8-11X3 2-1/2THD	1
10	164192	SCREW 5/8-11UNCX4-1/2 FLG HD	1
11	166160	CLAMP, SHANK	1
12	172662	STOP, SPRING SHANK	1
13	172666	MOUNT, SHANK	1
14	172667	CLAMP, SHANK (INCLUDES ITEMS 18)	1
15	172671	BUSHING, CLAMP	1
16	2-102-010004	BOLT U STANDARD GAUGE WHEEL	3
17	29SFFL 5811	NUT,FLANGE HEAD LOCK5/8-11UNC	4
18	172672	BUSHING 1-1/2 X 1-1/4 X2-15/16	1
19	185928	SHANK,5/8 X 1-3/4 EDGE BENT	1
20	108676	SWEEP 1/4X9 ULTRAWING (SHOWN)	
20	2-689-010057	SWEEP 1/4X10 ULTRAWING	
20	8-689-010006	SWEEP, 9"	
20	8-689-010009	SWEEP, 10"	
21	7/16-14X1-3/4PB	BOLT,PLOW 7/16X1-3/4 GR5 ZP	2
22	1-861-010032-13	WASHER FLAT 7/16	1
23	1-861-010034-12	WASHER,LOCKING HLC SPG 7/16	2
24	1-512-010007-08	NUT, HEX 7/16-14 GR2 ZP	2

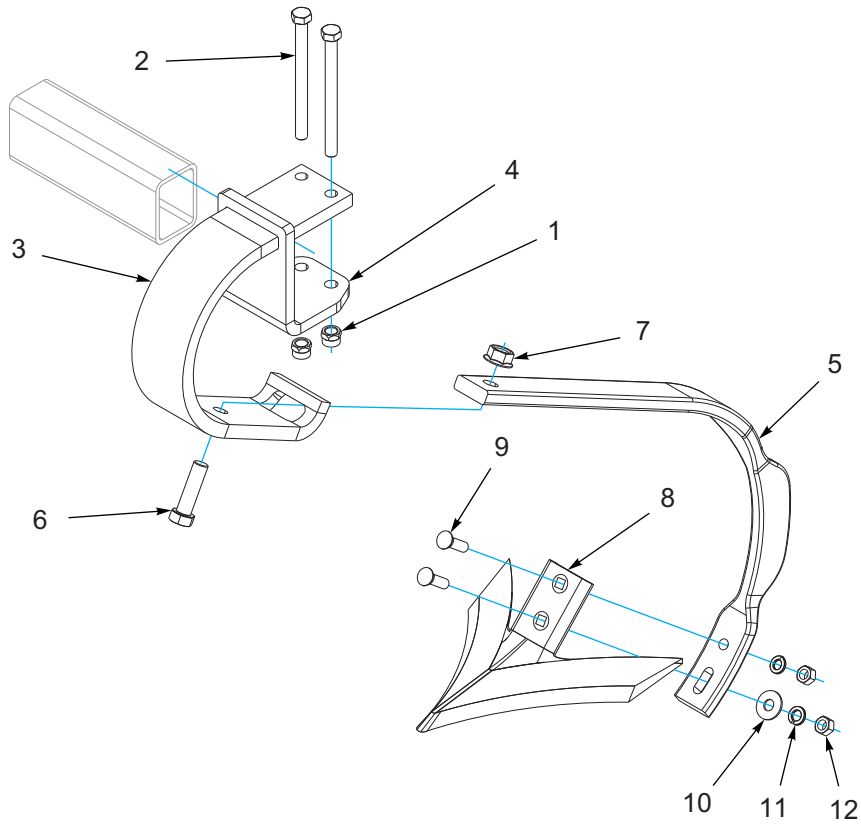


Figure 1-44: S-Tine Shank Assembly

S-Tine Shank Assembly

ITEM	PART NO.	DESCRIPTION	QTY.
--	166200	SHANK ASSY,S-TINE (INCLUDES ITEMS 1-4)	
1	1-512-010005-09	NUT,HEX,SLFLKG, 1/2-13 GRB	2
2	1-654-010055-17	SCREW,HEX CAP,1/2-13UNCX6 GR5	2
3	166199	SPRING CLAMP,S-TINE	1
4	166201	CLAMP S-TINE	1
5	185928	SHANK,5/8 X 1-3/4 EDGE BENT	1
6	1-654-010059-06	SCREW,HEX CAP 5/8-11X2-1/4 G5	1
7	29SFFL 5811	NUT,FLANGE HEAD LOCK5/8-11UNC	2
8	108676	SWEEP 1/4X9 ULTRAWING (SHOWN)	
8	2-689-010057	SWEEP 1/4X10 ULTRAWING	
8	8-689-010006	SWEEP, 9"	
8	8-689-010009	SWEEP, 10"	
9	7/16-14X1-3/4PB	BOLT,PLOW 7/16X1-3/4 GR5 ZP	2
10	1-861-010032-13	WASHER FLAT 7/16	1
11	1-861-010034-12	WASHER,LOCKING HLC SPG 7/16	2
12	1-512-010007-08	NUT, HEX 7/16-14 GR2 ZP	2

Lift Hydraulics

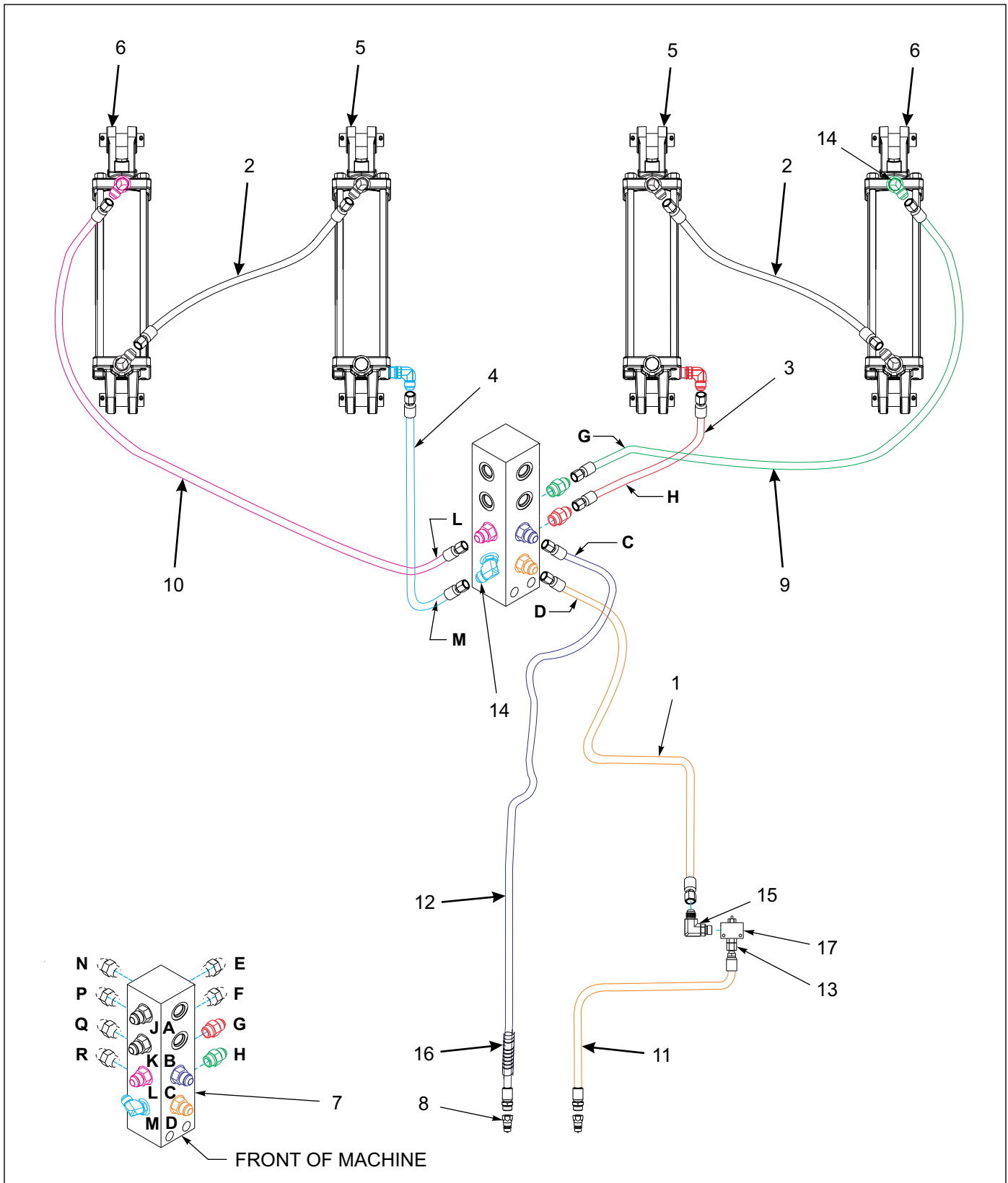


Figure 1-45: Lift Hydraulic Assembly - 19'-25'

Lift Hydraulic Assembly - 19'-25'

ITEM	PART NO.	DESCRIPTION	QTY.
1	1-397-010301074	HOSE ASSY, 1/2 X 74", SAE 37, STR-S	1
2	116491	HOSE ASSY, 3/8 X 96", #8 JIC, SWVL	2
3	153843	HOSE ASSY, 3/8 X 67", #8 JIC, SWVL	1
4	147582	HOSE ASSY, 3/8 X 24", #8 JIC, SWVL	1
5	140470	CYLINDER, 4 X 10, REPHASE (SEE PAGE 1-93)	1
6	140471	CYLINDER, 3-3/4 X 10, REPHASE (SEE PAGE 1-92)	1
7	141594	MANIFOLD HYDRAULIC, 16 PORT	1
8	141828	COUPLER, MALE, 3/4-16, O-RING	2
9	141881	HOSE ASSY, 3/8 X 136", #8, JIC, SWVL	1
10	156945	HOSE ASSY, 3/8 X 100", #8 JIC, SWVL	1
11	186237	HOSE ASSY, 1/2 X 195" 37 JIC X 3/4-16 O-RING	1
12	186238	HOSE ASSY, 1/2 X 246" 37 JIC X 3/4-16 O-RING	1
13	202702-8-8S	ADAPTER, #8, O-RING TO #8 TUBE	14
14	2062-8-8S	ADAPTER, O-RING, 37°, JIC 90	9
15	2062-8-8S	ADAPTER, 90, #8 O-RING-TUBE	1
16	155528	HOSE WRAP, BLUE	1
17	185660	VALVE LIMIT	1

ILLUSTRATED PARTS LIST

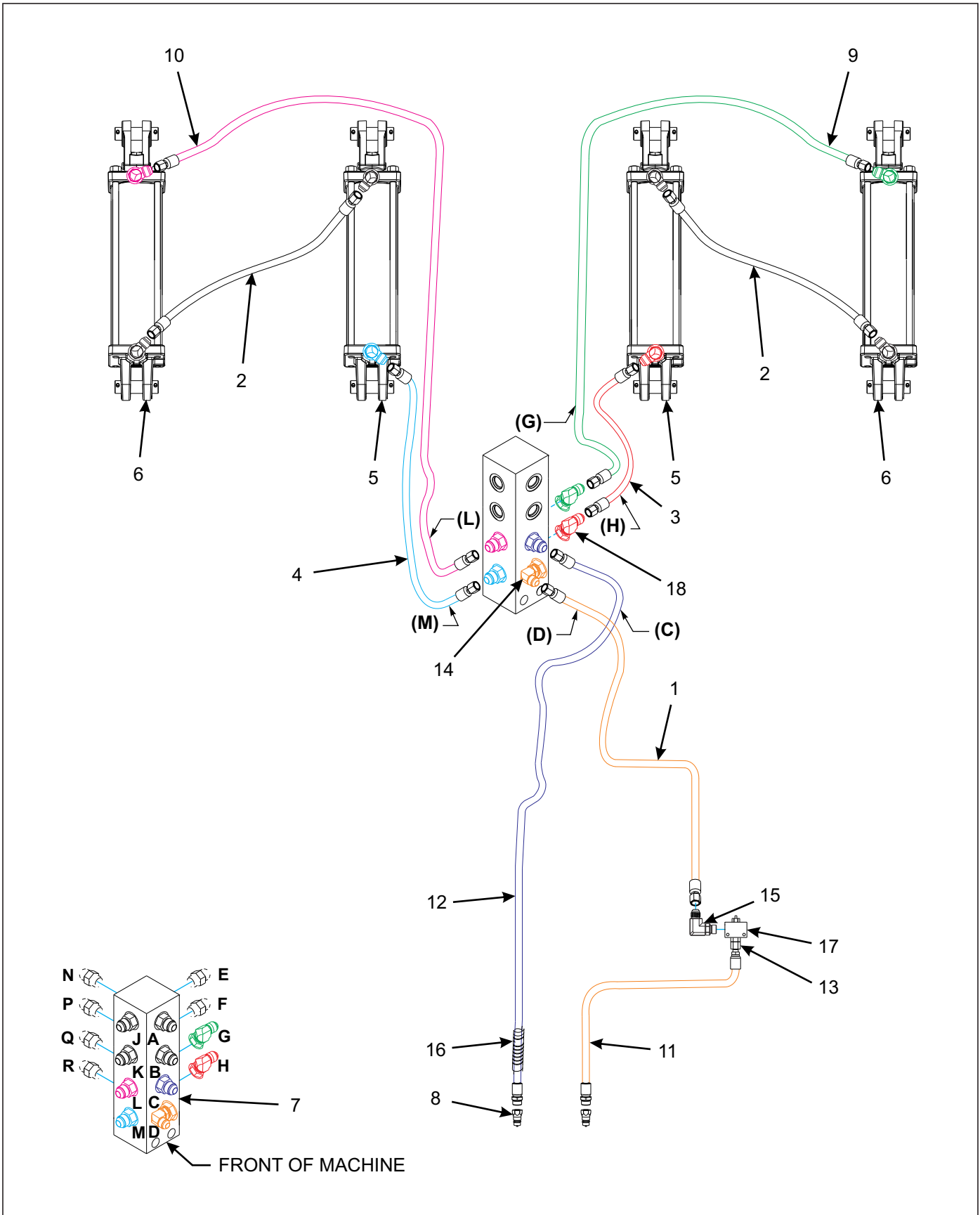


Figure 1-46: Lift Hydraulic Assembly - 27'-30'

Lift Hydraulic Assembly - 27'-30'

ITEM	PART NO.	DESCRIPTION	QTY.
1	1-397-010301084	HOSE ASSY, 1/2 X 84", SAE 37, STR-S	1
2	116491	HOSE ASSY, 3/8 X 96", #8 JIC, SWVL (USED WITH 27')	1
2	137599	HOSE ASSY, #6 .38 X 126" HIPRE (USED WITH 30')	1
3	181799	HOSE ASSY, 3/8 X 74", #8 JIC, SWVL	1
4	71508992	HOSE ASSY, 3/8 X 50", #8 JIC, SWVL	1
5	140470	CYLINDER, 4 X 10, REPHASE (SEE PAGE 1-93)	1
6	140471	CYLINDER, 3-3/4 X 10, REPHASE (SEE PAGE 1-92)	1
7	141594	MANIFOLD HYDRAULIC, 16 PORT	1
8	141828	COUPLER, MALE, 3/4-16, O-RING	2
9	153620	HOSE ASSY, 3/8 X 140", #8, JIC, SWIV (USED WITH 27')	1
9	141864	HOSE ASSY, 3/8 X 175", #8, JIC, SWIV (USED WITH 30')	1
10	1422176	HOSE ASSY, 3/8 X 116", #8, JIC, SWIV (USED WITH 27')	1
10	116435	HOSE ASSY, 3/8 X 146", #8, JIC, SWIV (USED WITH 30')	1
11	156964	HOSE ASSY, 1/2 X 204" 37 JIC X 3/4-16 O-RING	1
12	180020	HOSE ASSY, 1/2 X 230" 37 JIC X 3/4-16 O-RING	1
13	202702-8-8S	ADAPTER, #8, O-RING TO #8 TUBE	14
14	2062-8-8S	ADAPTER, O-RING, 37°, JIC 90	9
15	2062-8-8S	ADAPTER, 90, #8 O-RING-TUBE	1
16	155528	HOSE WRAP, BLUE	1
17	185660	VALVE LIMIT	1
18	2061-8-8S	ADAPTER, 45, #8 O-RING TUBE	2

ILLUSTRATED PARTS LIST

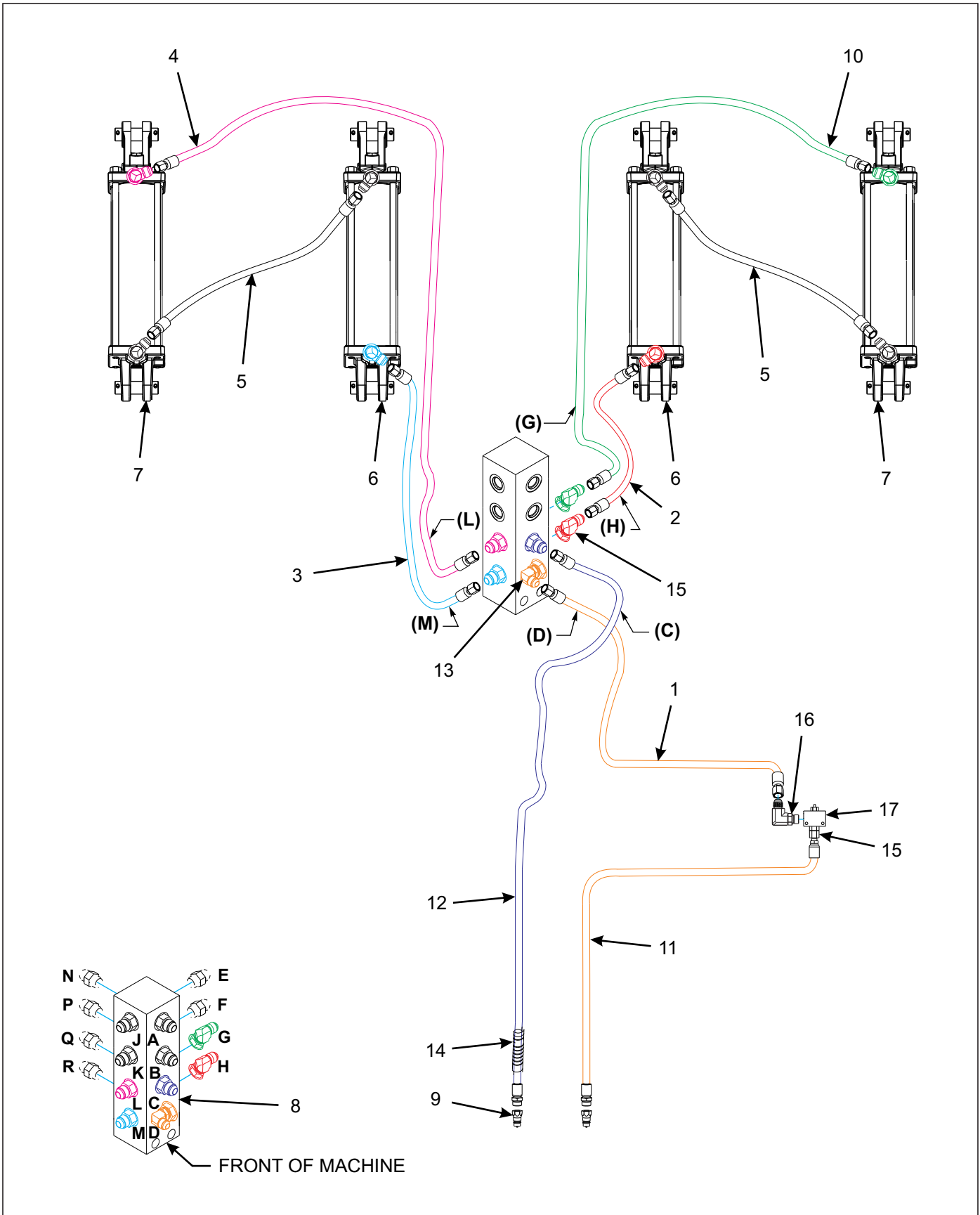


Figure 1-47: Lift Hydraulic Assembly - 33'-35'

Lift Hydraulic Assembly - 33'-35'

ITEM	PART NO.	DESCRIPTION	QTY.
1	1-397-010301112	HOSE ASSY, 1/2 X 112", SAE 37, STR-S	1
2	116491	HOSE ASSY, 3/8 X 96", #8 JIC, SWVL	1
3	122910	HOSE ASSY, 3/8 X 70", #8 JIC, SWVL	1
4	122911	HOSE ASSY, 3/8 X 168", #8 JIC, SWVL	1
5	137599	HOSE ASSY, #6 .38 X 126", HIPRE	2
6	140470	CYLINDER, 4 X 10, REPHASE (SEE PAGE 1-93)	2
7	140471	CYLINDER, 3-3/4 X 10, REPHASE (SEE PAGE 1-92)	2
8	141594	MANIFOLD HYDRAULIC, 16 PORT	1
9	141828	COUPLER, MALE, 3/4-16, O-RING	2
10	141890	HOSE ASSY, 3/8 X 192", #8, JIC, SWIV	1
11	176996	HOSE ASSY, 1/2 X 220", #8, JIC X #8 O-RING	1
12	180020	HOSE ASSY, 1/2 X 230" 37 JIC X 3/4-16 O-RING	1
13	2062-8-8S	ADAPTER, O-RING, 37°, JIC 90	9
14	155528	HOSE WRAP, BLUE	1
15	202702-8-8S	ADAPTER, #8, O-RING TO #8 TUBE	14
16	2062-8-8S	ADAPTER, 90, #8 O-RING-TUBE	1
17	185660	VALVE LIMIT	1

Fold Hydraulics

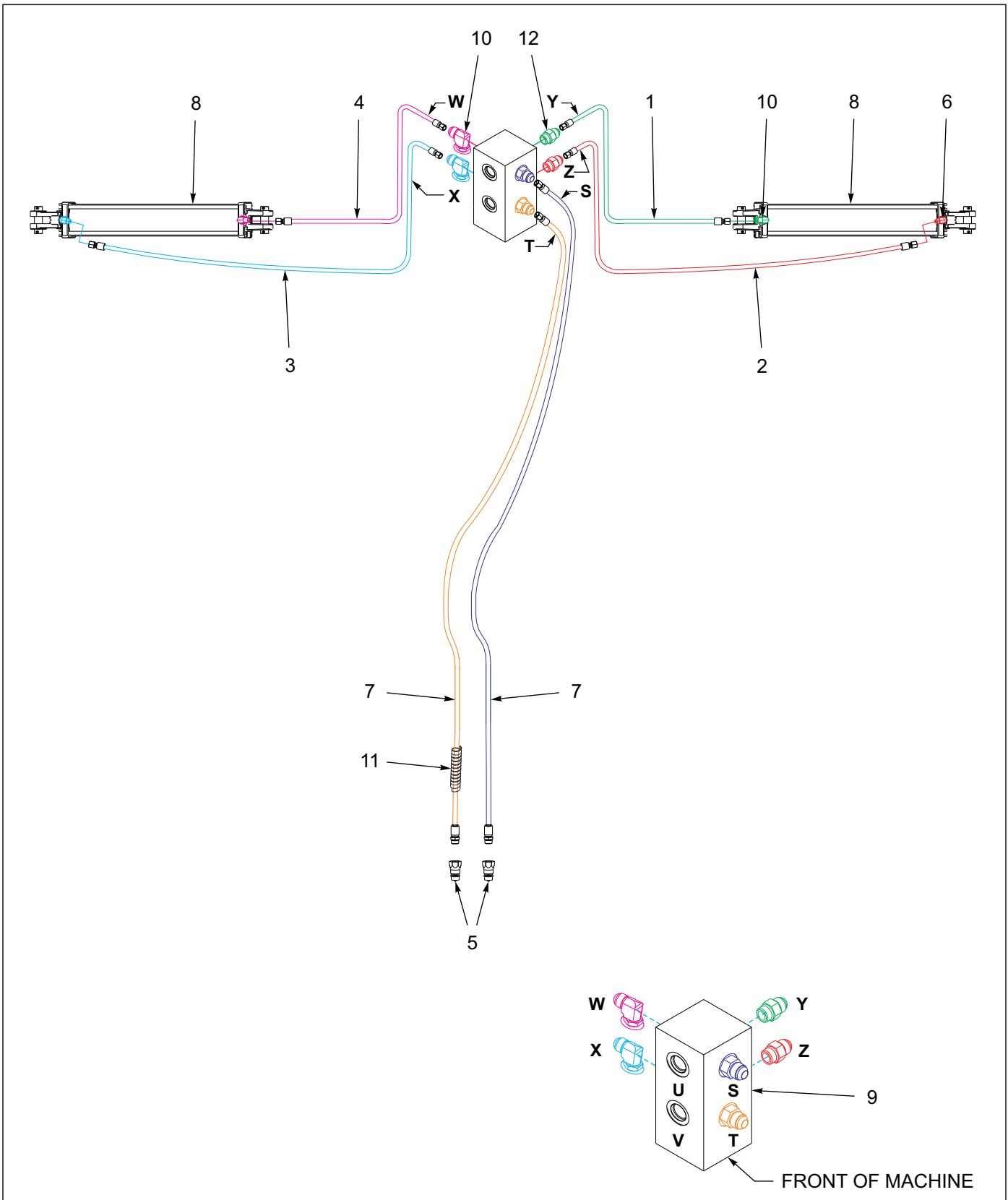


Figure 1-48: Fold Hydraulic Assembly - 19'

Fold Hydraulic Assembly - 19'

ITEM	PART NO.	DESCRIPTION	QTY.
1	137602	HOSE ASSY, 3/8 X 27", #8 JIC SWVL	2
2	123547	HOSE ASSY, 3/8 X 56", #8 JIC, SWVL	2
3	147582	HOSE ASSY, 3/8 X 24", #8 JIC, SWVL	2
4	153841	HOSE ASSY, 3/8 X 18", #8 JIC, SWVL	2
5	141828	COUPLER, MALE, 3/4-16, O-RING	2
6	141826	ELBOW 90, 3/4 O-RING, 3/4 JIC, 1/16 RES	4
7	147585	HOSE ASSY, 1/2 X 336, #8 JIC X #80 O-RING	2
8	185650	CYLINDER, HYDRAULIC, 4 X 24, 3000 PSI (SEE PAGE 1-94)	4
9	2-474-010022	MANIFOLD, HYDRAULIC ASSY, 6 HOSE	1
10	2062-8-8S	ADAPTER, O-RING, 37°, JIC 90	4
11	155529	HOSE WRAP, YELLOW	1
12	202702-8-8S	ADAPTER, #8, O-RING TO #8 TUBE	4

ILLUSTRATED PARTS LIST

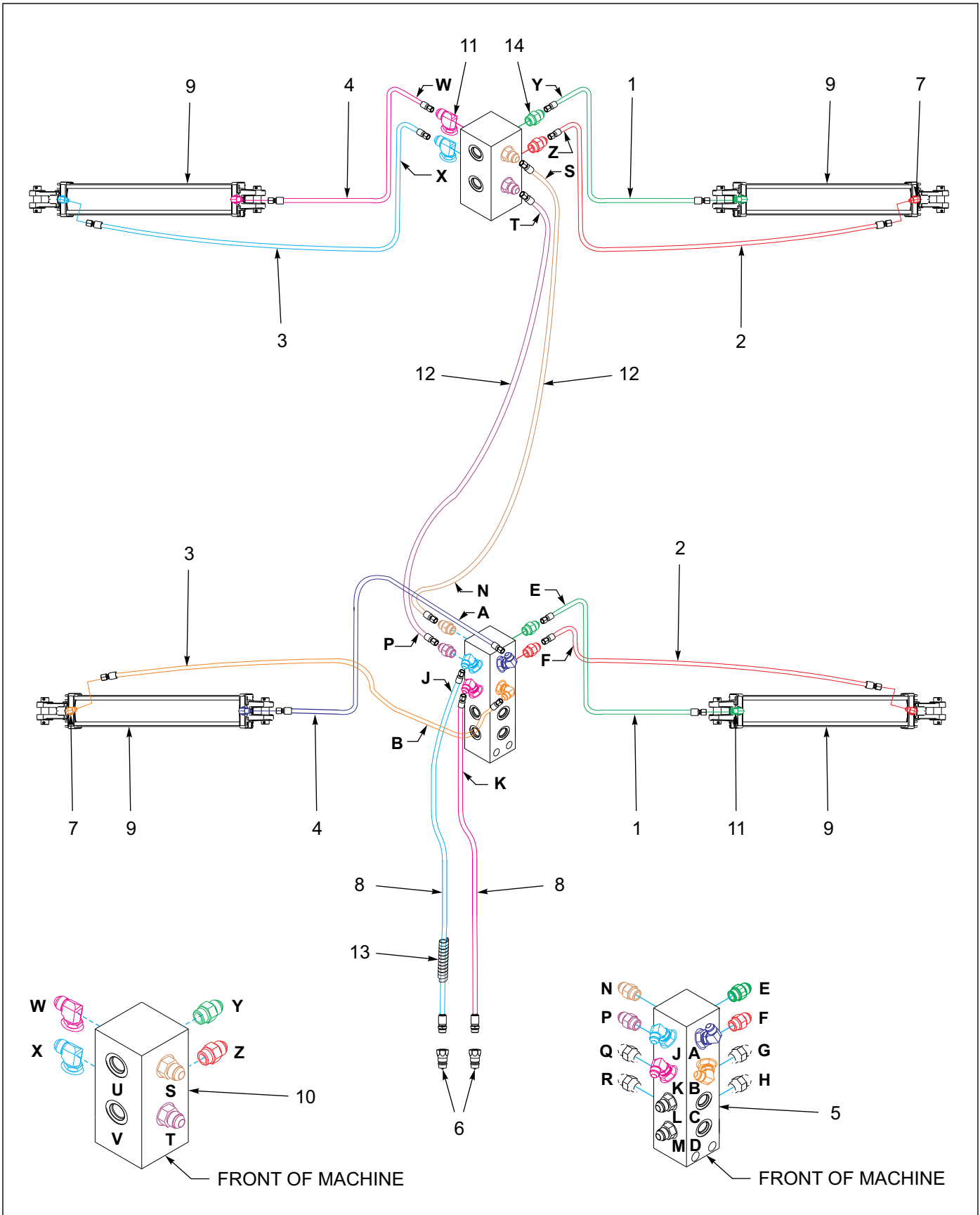


Figure 1-49: Fold Hydraulic Assembly - 22'-25'

Fold Hydraulic Assembly - 22'-25'

ITEM	PART NO.	DESCRIPTION	QTY.
1	137602	HOSE ASSY, 3/8 X 27", #8 JIC SWVL	2
2	123547	HOSE ASSY, 3/8 X 56", #8 JIC, SWVL	2
3	147582	HOSE ASSY, 3/8 X 24", #8 JIC, SWVL	2
4	153841	HOSE ASSY, 3/8 X 18", #8 JIC, SWVL	2
5	141594	MANIFOLD HYDRAULIC, 16 PORT	1
6	141828	COUPLER, MALE, 3/4-16, O-RING	2
7	141826	ELBOW 90, 3/4 O-RING, 3/4 JIC, 1/16 RES	4
8	145132	HOSE ASSY, 1/2 X 248", #8 JIC X #80 O-RING	2
9	185650	CYLINDER, HYDRAULIC, 4 X 24, 3000 PSI (SEE PAGE 1-94)	4
10	2-474-010022	MANIFOLD, HYDRAULIC ASSY, 6 HOSE	1
11	2062-8-8S	ADAPTER, O-RING, 37°, JIC 90	4
12	71508987	HOSE ASSY, 3/8 X 86"	2
13	155529	HOSE WRAP, YELLOW	1
14	202702-8-8S	ADAPTER, #8, O-RING TO #8 TUBE	14

ILLUSTRATED PARTS LIST

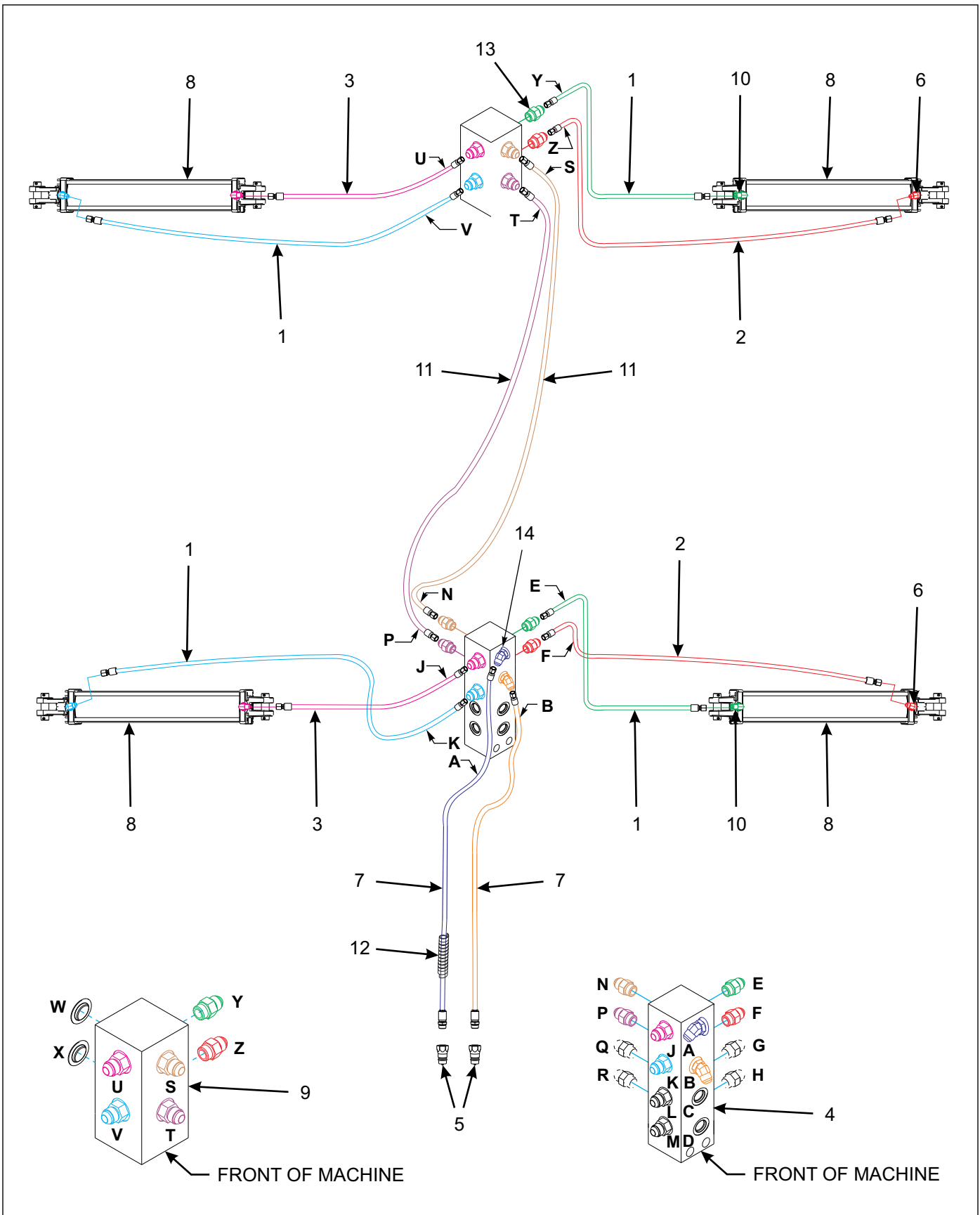


Figure 1-50: Fold Hydraulic Assembly - 27'-30'

Fold Hydraulic Assembly - 27'-30'

ITEM	PART NO.	DESCRIPTION	QTY.
1	1-397-010369036	HOSE ASSY, 3/8 X 36", #8 JIC SWVL	2
2	116489	HOSE ASSY, 3/8 X 64", #8 JIC, SWVL	2
3	137601	HOSE ASSY, 3/8 X 20", #8 JIC, SWVL	2
4	141594	MANIFOLD HYDRAULIC, 16 PORT	1
5	141828	COUPLER, MALE, 3/4-16, O-RING	2
6	162778	ELBOW 90, 7/8 O-RING, 3/4 JIC, 1/16 RES	4
7	176997	HOSE ASSY, 3/8 X 240", #8 JIC X #80 O-RING	2
8	181932	CYLINDER, HYDRAULIC, 4-1/2 X 24, 3000PSI (SEE PAGE 1-95)	4
9	2-474-010022	MANIFOLD, HYDRAULIC ASSY, 6 HOSE	1
10	2062-10-8S	ADAPTER, 90, #10, O-RING - 8TUBE	4
11	71508987	HOSE ASSY, 3/8 X 86"	2
12	155529	HOSE WRAP, YELLOW	1
13	202702-8-8S	ADAPTER, #8, O-RING TO #8 TUBE	14
14	2061-8-8S	ADAPTER, 45, #8 O-RING TUBE	2

ILLUSTRATED PARTS LIST

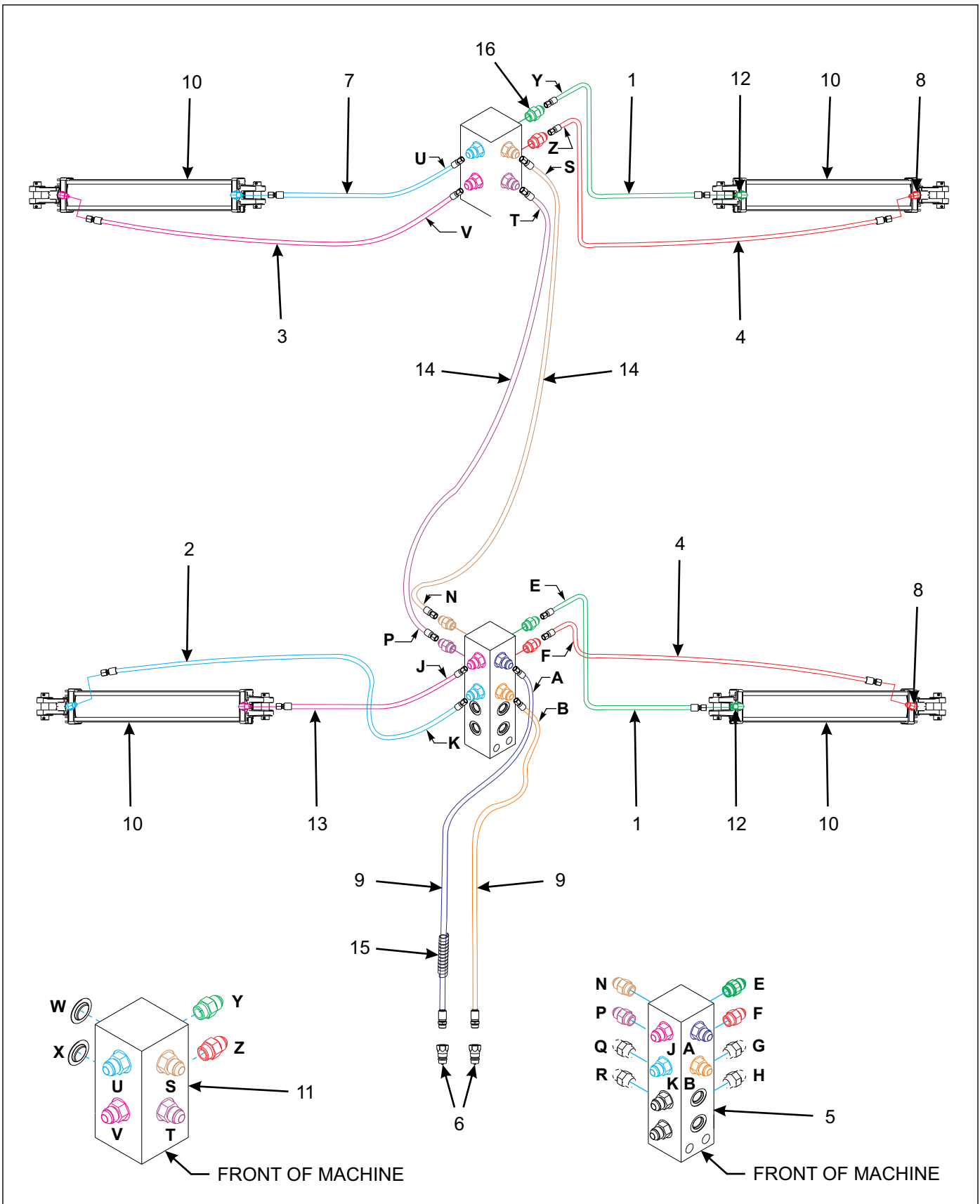


Figure 1-51: Fold Hydraulic Assembly - 33'-35'

Fold Hydraulic Assembly - 33'-35'

ITEM	PART NO.	DESCRIPTION	QTY.
1	1-397-010369054	HOSE ASSY, 3/8 X 54", #8 JIC SWVL	2
2	116432	HOSE ASSY, 3/8 X 60", #8 JIC, SWVL	1
3	116489	HOSE ASSY, 3/8 X 64", #8 JIC, SWVL	1
4	122909	HOSE ASSY, 3/8 X 82", #8 JIC, SWVL	2
5	141594	MANIFOLD HYDRAULIC, 16 PORT	1
6	141828	COUPLER, MALE, 3/4-16, O-RING	2
7	153842	HOSE ASSY, 3/8 X 33", #8, JIC, SWIV	1
8	162778	ELBOW 90, 7/8 O-RING, 3/4 JIC, 1/16 RES	4
9	176997	HOSE ASSY, 3/8 X 240", #8 JIC X #80 O-RING	1
10	181932	CYLINDER, HYDRAULIC, 4-1/2 X 24, 3000PSI (SEE PAGE 1-95)	4
11	2-474-010022	MANIFOLD, HYDRAULIC ASSEMBLY, 6 HOSE	1
12	2062-10-8S	ADAPTER, 90, #10 O-RING, 8 TUBE	4
13	71508985	HOSE ASSY, .38 X 30"	1
14	71508987	HOSE ASSY, 3/8 X 86"	2
15	155529	HOSE WRAP, YELLOW	1
16	202702-8-8S	ADAPTER, #8, O-RING TO #8 TUBE	14

Hydraulic Gangs

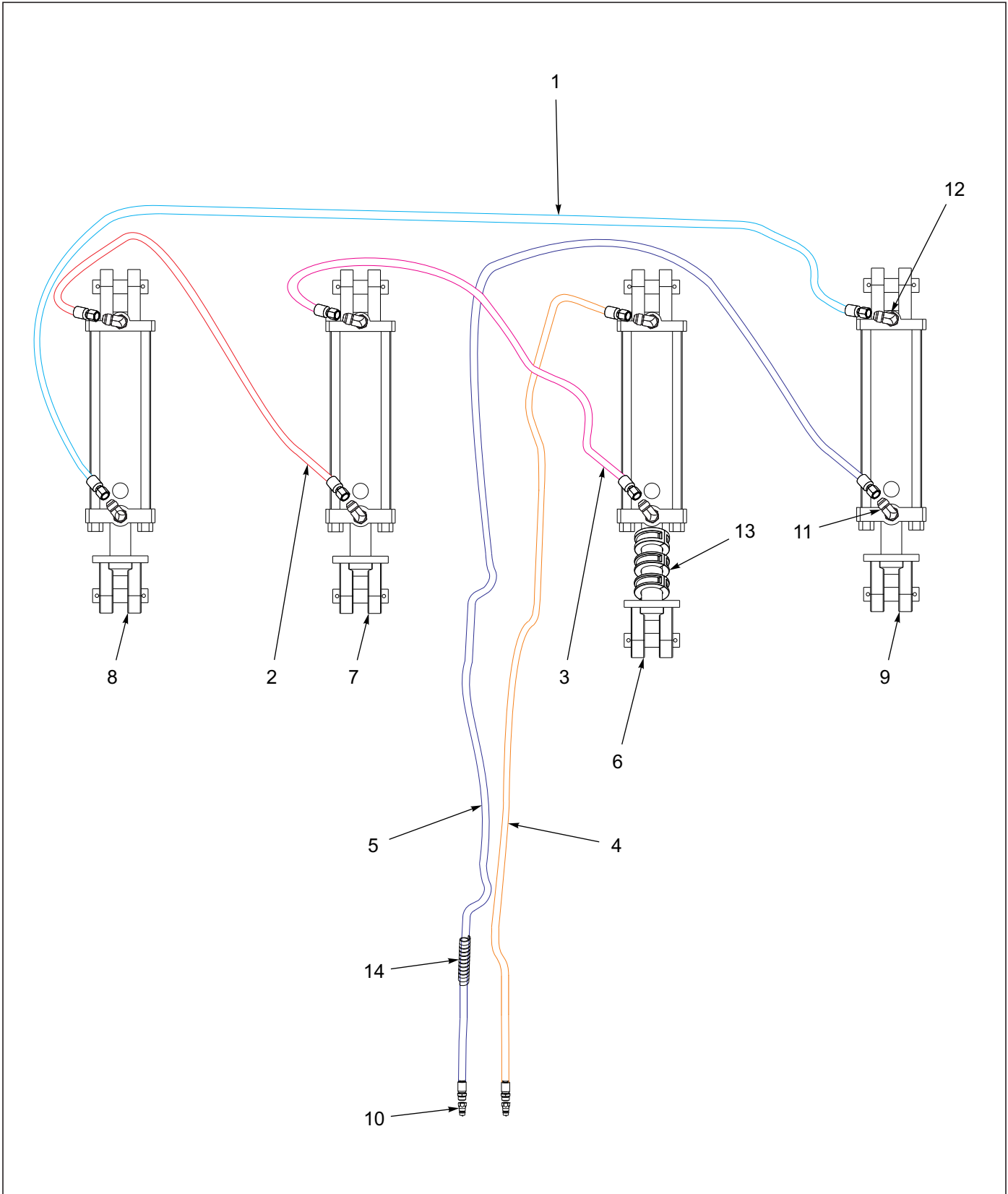


Figure 1-52: Hydraulic Gangs - 19'-25'

Hydraulic Gangs - 19'-25'

ITEM	PART NO.	DESCRIPTION	QTY.
1	71510821	HOSE ASSY, 3/8 X 244", #8, JIC, SWVL (USED WITH 19')	1
1	71600089	HOSE ASSY, 3/8 X 295", #8, JIC, SWVL (USED WITH 22 & 25')	1
2	137600	HOSE ASSY, 3/8 X 130, #8 JIC, SWVL (USED WITH 19')	1
2	117260	HOSE ASSY, 3/8 X 156", #8, JIC, SWVL (USED WITH 22 & 25')	1
3	137600	HOSE ASSY, 3/8 X 130, #8 JIC, SWVL	1
4	147586	HOSE ASSY, 3/8 X 306, #8 JIC X #8, O-RING	1
5	153622	HOSE ASSY, 3/8 X 385, #8 JIC X #8, O-RING (USED WITH 19')	1
5	185677	HOSE ASSY, 3/8 X 405, #8 JIC X #8, O-RING (USED WITH 22 & 2')	1
6	145201	CYLINDER, 4 X 8, REPHASE (SEE PAGE 1-91)	1
7	145202	CYLINDER, 3-3/4 X 8, REPHASE (SEE PAGE 1-90)	1
8	145203	CYLINDER, 3-1/2 X 8, REPHASE (SEE PAGE 1-89)	1
9	145204	CYLINDER, 3-1/4 X 8, REPHASE (SEE PAGE 1-88)	1
10	141828	COUPLER, MALE, 3/4-16, O-RING	2
11	141826	ELBOW 90, 3/4 O-RING, 3/4 JIC, 1/16 RES	1
12	2062-8-8S	ADAPTER, O-RING, 37°, JIC 90	7
13	1P332	CAST STROKE CONTROL SET, 1-1/2"	1
14	155530	HOSE WRAP, BLACK	1

ILLUSTRATED PARTS LIST

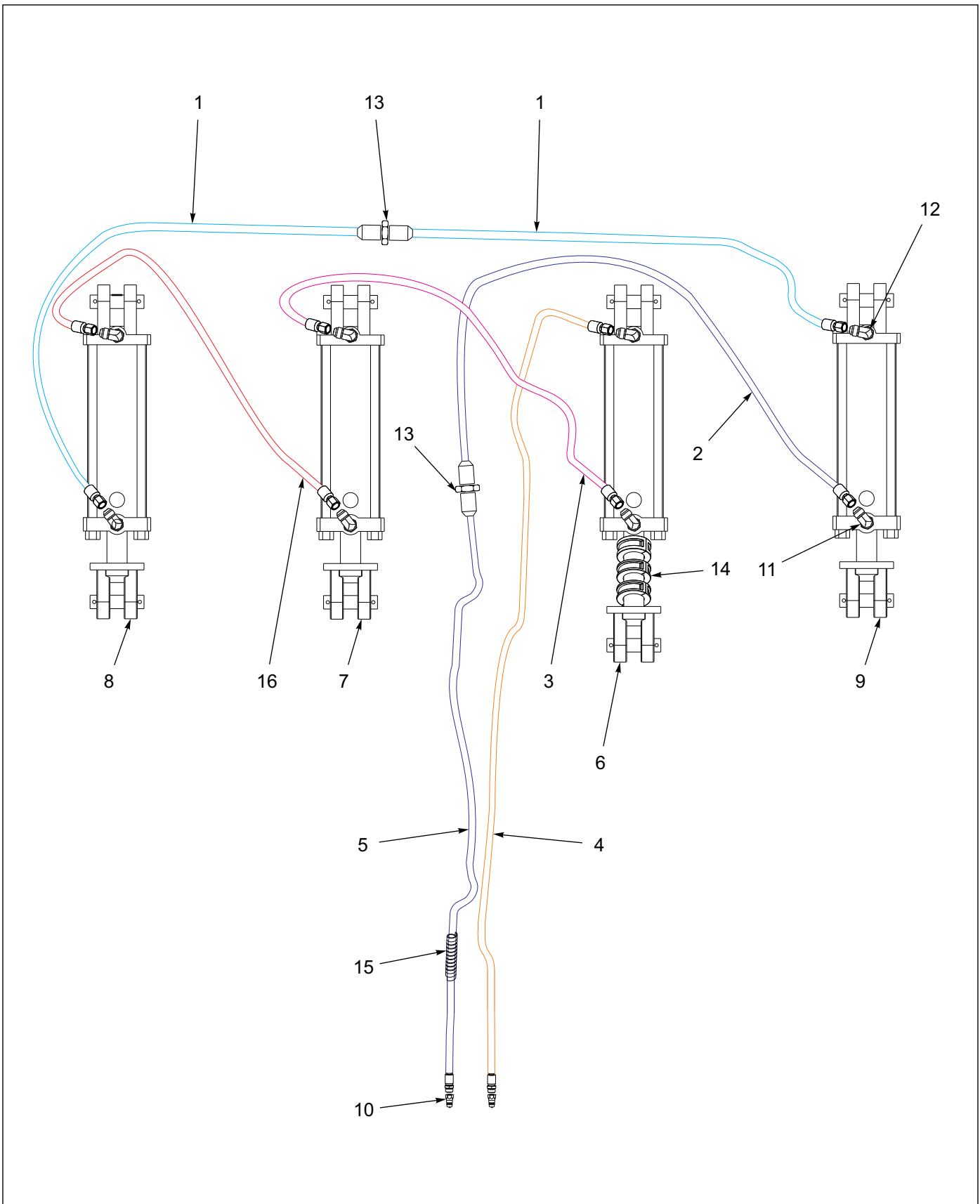


Figure 1-53: Hydraulic Gangs - 27'-30'

Hydraulic Gangs - 27'-30'

ITEM	PART NO.	DESCRIPTION	QTY.
1	144343	HOSE ASSY, 3/8 X 165", #8, JIC, SWVL (USED WITH 27")	1
1	141890	HOSE ASSY, 3/8 X 192", #8, JIC, SWVL (USED WITH 30")	1
2	122911	HOSE ASSY, 3/8 X 168", #8 JIC, SWVL (USED WITH 27")	1
2	117163	HOSE ASSY, 3/8 X 196", #8, JIC, SWVL (USED WITH 30")	1
3	159569	HOSE ASSY, 3/8 X 161", #8 JIC, SWVL	1
4	176998	HOSE ASSY, 3/8 X 312", #8 JIC X #8, O-RING	1
5	176997	HOSE ASSY, 3/8 X 240", #8 JIC X #8, O-RING	1
6	145201	CYLINDER, 4 X 8, REPHASE (SEE PAGE 1-91)	1
7	145202	CYLINDER, 3-3/4 X 8, REPHASE (SEE PAGE 1-90)	1
8	145203	CYLINDER, 3-1/2 X 8, REPHASE (SEE PAGE 1-89)	1
9	145204	CYLINDER, 3-1/4 X 8, REPHASE (SEE PAGE 1-88)	1
10	141828	COUPLER, MALE, 3/4-16, O-RING	2
11	141826	ELBOW 90, 3/4 O-RING, 3/4 JIC, 1/16 RES	1
12	2062-8-8S	ADAPTER, O-RING, 37°, JIC 90	7
13	148338	FITTING, UNION, 37° FLARE	2
14	1P332	CAST STROKE CONTROL SET, 1-1/2"	1
15	155530	HOSE WRAP, BLACK	1
16	144343	HOSE ASSY, 3/8 X 165", #8, JIC, SWVL (USED WITH 27")	1
16	117163	HOSE ASSY, 3/8 X 196", #8, JIC, SWVL (USED WITH 30")	1

ILLUSTRATED PARTS LIST

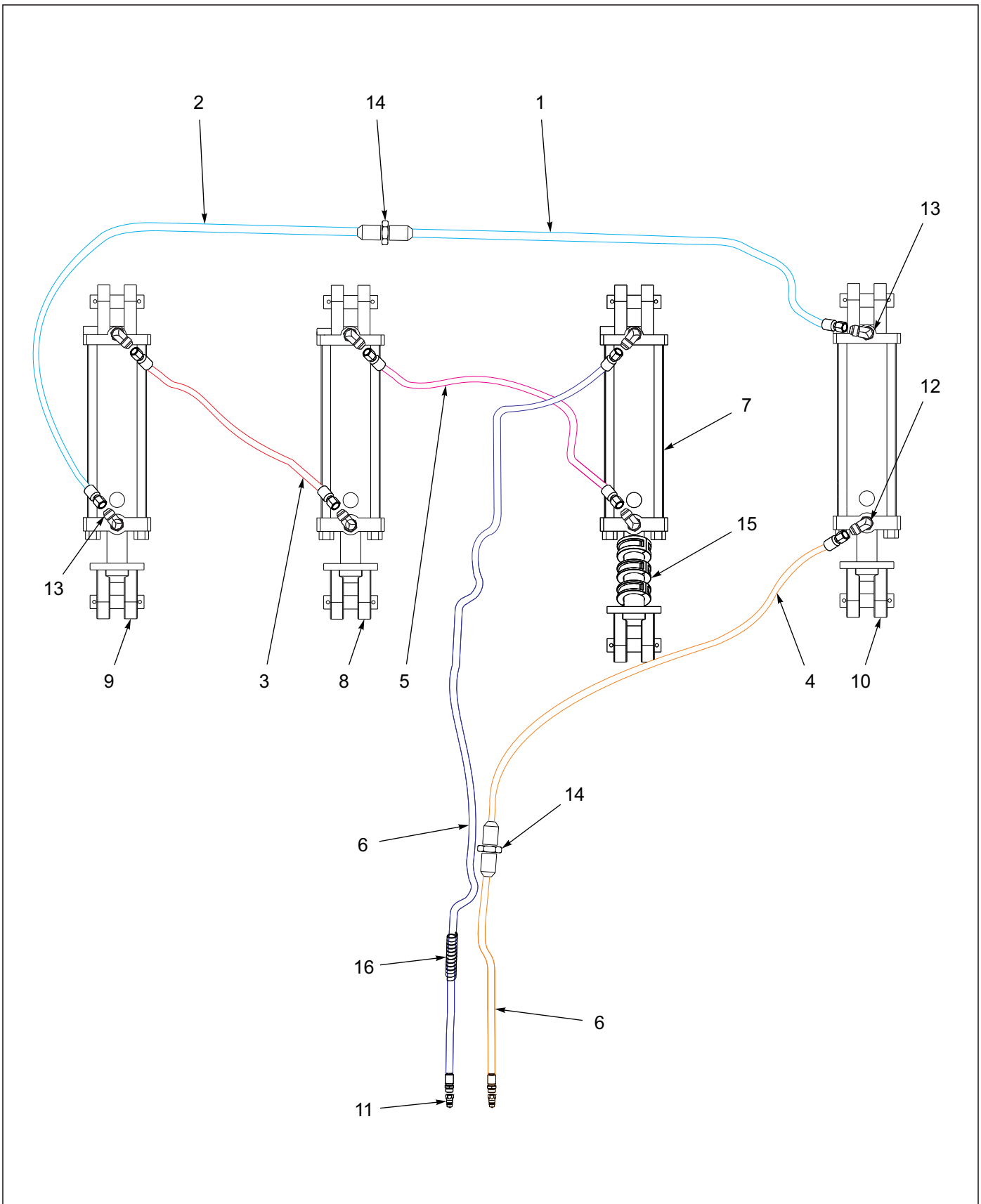


Figure 1-54: Hydraulic Gangs - 33'-35'

Hydraulic Gangs - 33'-35'

ITEM	PART NO.	DESCRIPTION	QTY.
1	141882	HOSE ASSY, 3/8 X 206", #8, JIC, SWVL	1
2	153621	HOSE ASSY, 3/8 X 212", #8, JIC, SWVL	1
3	117163	HOSE ASSY, 3/8 X 196", #8, JIC, SWVL	1
4	141881	HOSE ASSY, 3/8 X 136", #8, JIC, SWVL	1
5	153620	HOSE ASSY, 3/8 X 140", #8 JIC, SWVL	1
6	147586	HOSE ASSY, 3/8 X 306", #8 JIC X #8, O-RING	2
7	145201	CYLINDER, 4 X 8, REPHASE (SEE PAGE 1-91)	1
8	145202	CYLINDER, 3-3/4 X 8, REPHASE (SEE PAGE 1-90)	1
9	145203	CYLINDER, 3-1/2 X 8, REPHASE (SEE PAGE 1-89)	1
10	145204	CYLINDER, 3-1/4 X 8, REPHASE (SEE PAGE 1-88)	1
11	141828	COUPLER, MALE, 3/4-16, O-RING	2
12	141826	ELBOW 90, 3/4 O-RING, 3/4 JIC, 1/16 RES	1
13	2062-8-8S	ADAPTER, O-RING, 37°, JIC 90	7
14	148338	FITTING, UNION, 37° FLARE	2
15	1P332	CAST STROKE CONTROL SET, 1-1/2"	
16	155530	HOSE WRAP, BLACK	

Cylinders

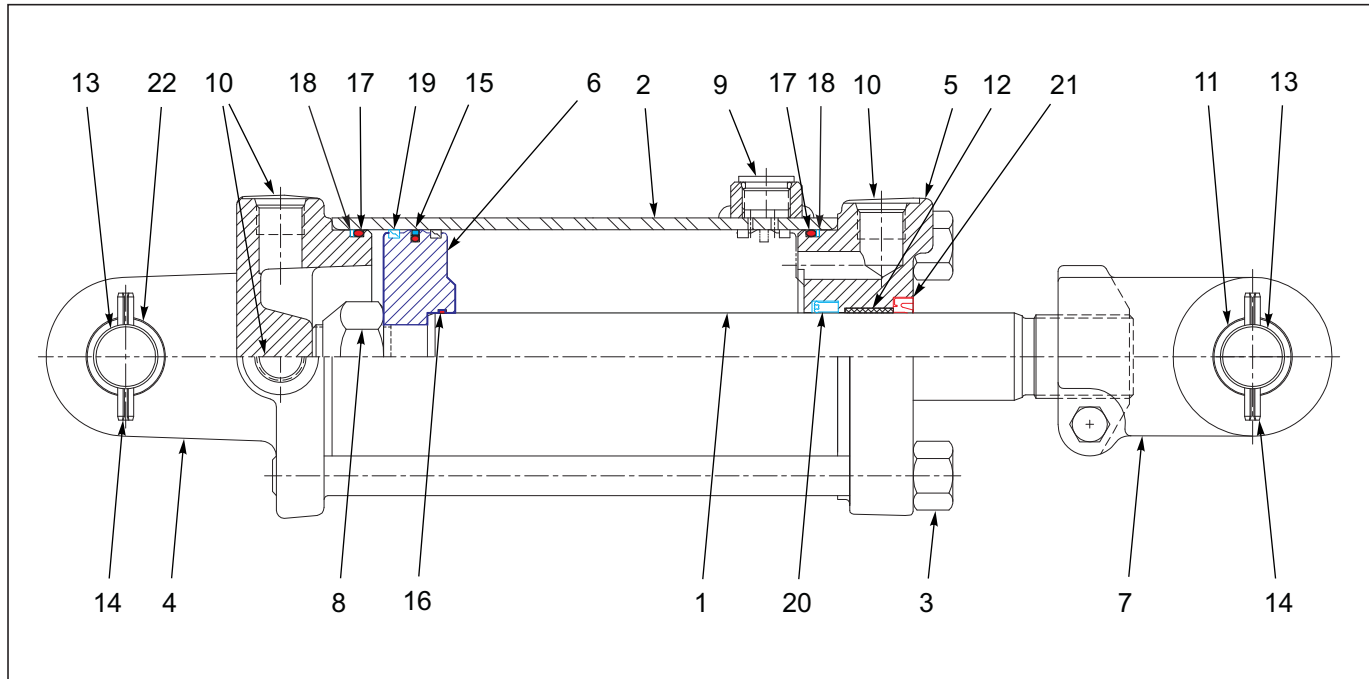


Figure 1-55: Cylinder - Rephase Assembly - 3-1/4 X 8

Cylinder - Rephase Assembly - 3-1/4 X 8

ITEM	PART NO.	DESCRIPTION	QTY.
--	145204	CYLINDER 3-1/4 X 8 REPHASE	
1	----	ROD, PISTON	1
2	----	TUBE ASSEMBLY	1
3	----	TIEROD ASSEMBLY	4
4	218642	BUTT CLEVIS ASSEMBLY	1
5	148092	GLAND ASSEMBLY	1
6	----	PISTON	1
7	148087	CLEVIS ASSEMBLY	1
8	----	LOCKNUT	1
9	----	SHIPPING PLUG	1
10	----	SHIPPING PLUG	3
11	148088	BUSHING	2
12	125566	BUSHING	1
13	143994	CLEVIS PIN	2
14	111789	ROLL PIN	4
15	----	TEFLON SEAL	1
16	----	O- RING	1
17	----	O- RING	2
18	----	BU- WASHER	2
19	----	BEARING RING	1
20	----	U- CUP	1
21	----	CANNED WIPER	1
22	142112	BUSHING	2
23	148094	PACKING KIT (NOT SHOWN) (INCLUDES ITEMS 15-21)	

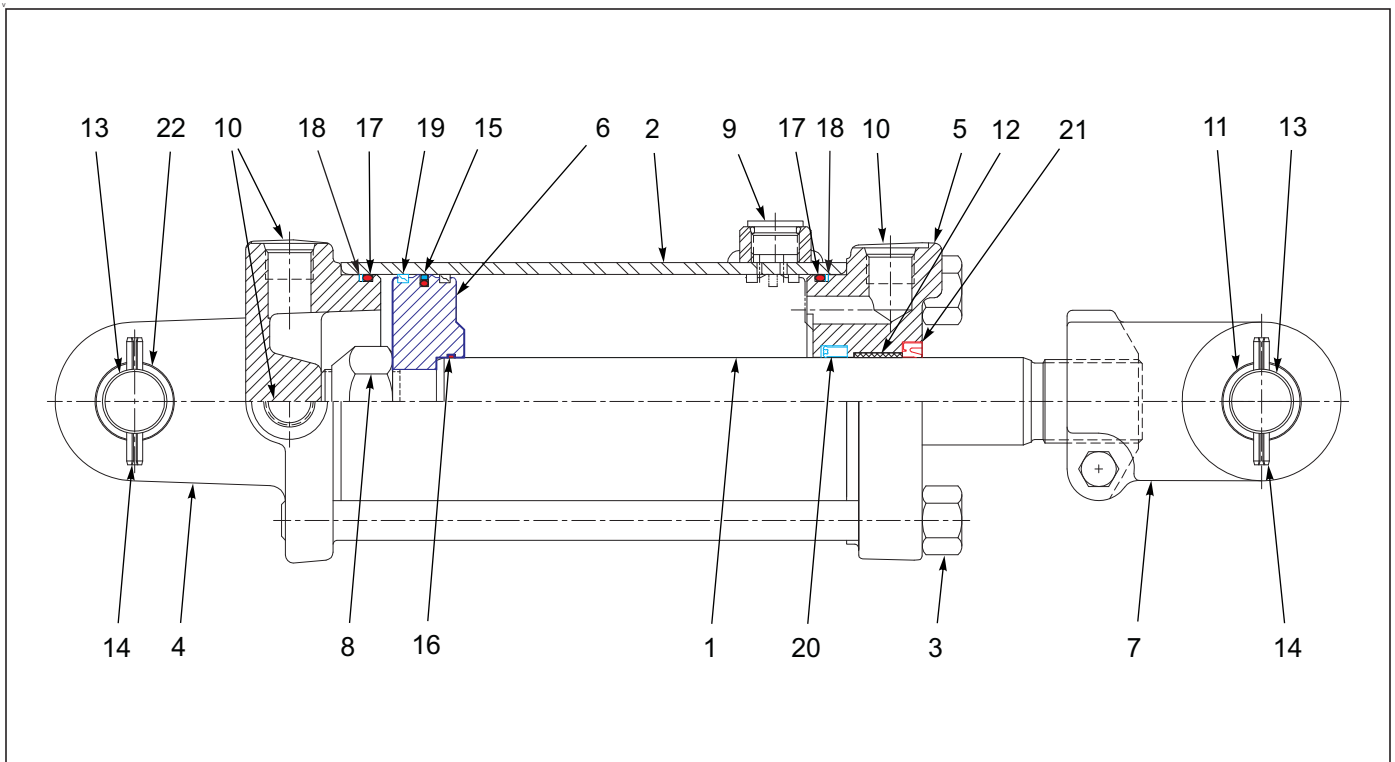


Figure 1-56: Cylinder - Rephase Assembly - 3-1/2 X 8

Cylinder - Rephase Assembly - 3-1/2 X 8

ITEM	PART NO.	DESCRIPTION	QTY.
--	145203	CYLINDER 3-1/2 X 8 REPHASE	
1	----	ROD, PISTON	1
2	----	TUBE ASSEMBLY	1
3	----	TIEROD ASSEMBLY	4
4	218643	BUTT CLEVIS ASSEMBLY	1
5	148085	GLAND ASSEMBLY	1
6	----	PISTON	1
7	148087	CLEVIS ASSEMBLY	1
8	----	LOCKNUT	1
9	----	SHIPPING PLUG	1
10	----	SHIPPING PLUG	3
11	148088	BUSHING	2
12	125566	BUSHING	1
13	143994	CLEVIS PIN	2
14	111789	ROLL PIN	4
15	----	TEFLON SEAL	1
16	----	O- RING	1
17	----	O- RING	2
18	----	BU- WASHER	2
19	----	BEARING RING	1
20	----	U- CUP	1
21	----	CANNED WIPER	1
22	142112	BUSHING	2
23	148089	PACKING KIT (NOT SHOWN) (INCLUDES ITEMS 15-21)	

ILLUSTRATED PARTS LIST

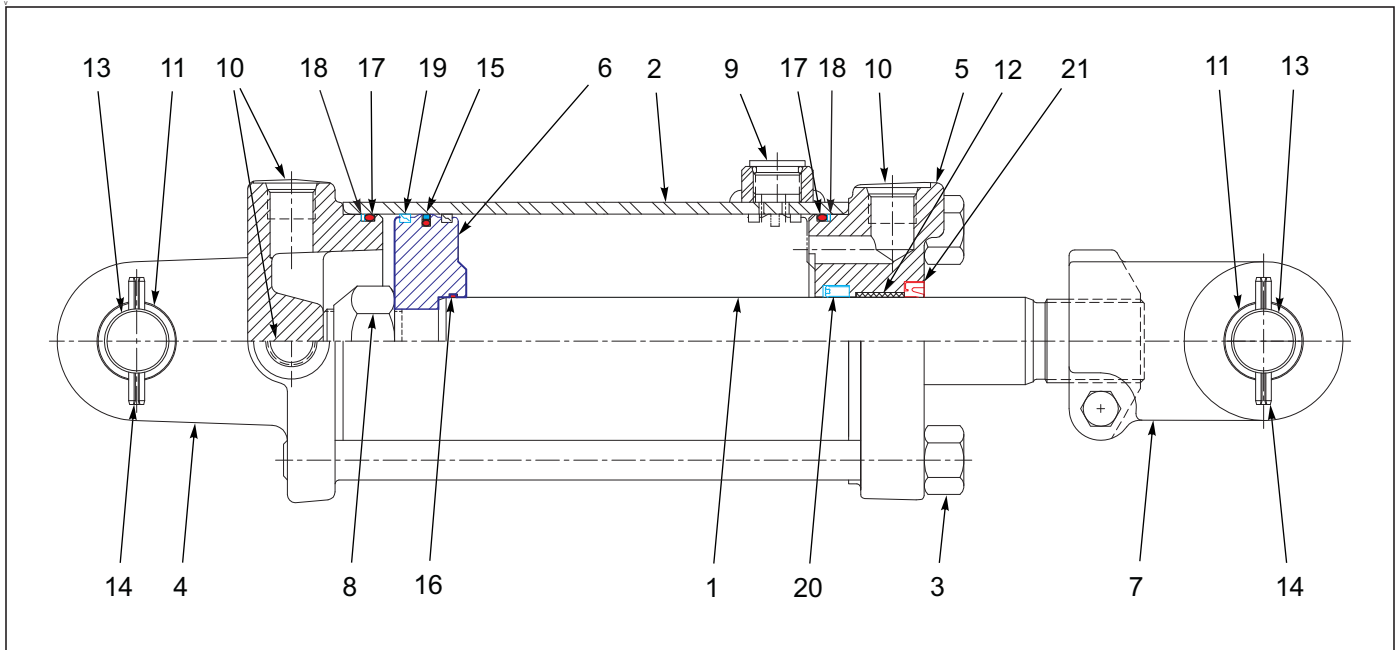


Figure 1-57: Cylinder - Rephase Assembly - 3-3/4 X 8

Cylinder - Rephase Assembly - 3-3/4 X 8

ITEM	PART NO.	DESCRIPTION	QTY.
--	145202	CYLINDER 3-3/4 X 8 REPHASE	
1	----	ROD, PISTON	1
2	----	TUBE ASSY	1
3	----	TIEROD ASSY	4
4	142116	BUTT CLEVIS ASSY	1
5	111871	GLAND ASSEMBLY	1
6	----	PISTON	1
7	142110	CLEVIS ASSY	1
8	----	LOCKNUT	1
9	----	SHIPPING PLUG	1
10	----	SHIPPING PLUG	3
11	142112	BUSHING	4
12	141301	BUSHING	1
13	143994	CLEVIS PIN	2
14	111789	ROLL PIN	4
15	----	TEFLON SEAL	1
16	----	O- RING	1
17	----	O- RING	2
18	----	BU- WASHER	2
19	----	BEARING RING	1
20	----	U- CUP	1
21	----	CANNED WIPER	1
22	147748	PACKING KIT (NOT SHOWN) (INCLUDES ITEMS 15-21)	

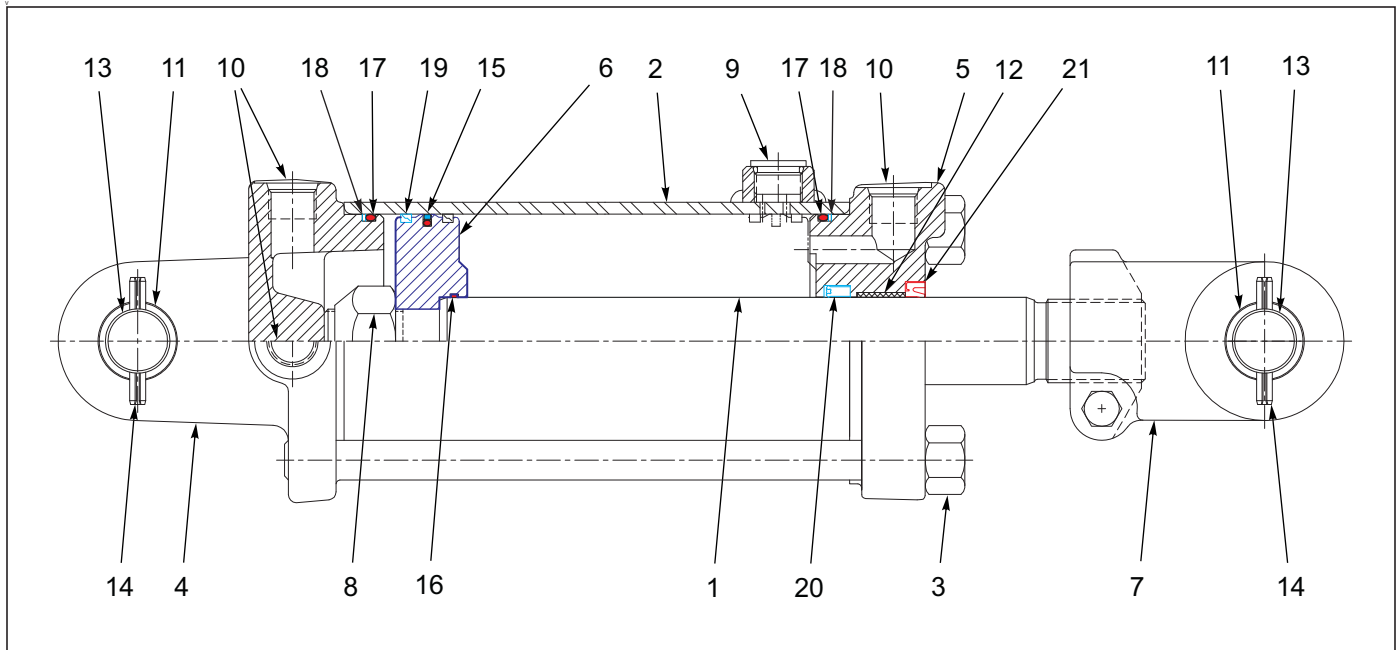


Figure 1-58: Cylinder - Rephase Assembly - 4 X 8

Cylinder - Rephase Assembly - 4 X 8

ITEM	PART NO.	DESCRIPTION	QTY.
--	145201	CYLINDER 4 X 8 REPHASE	
1	----	ROD, PISTON	1
2	----	TUBE ASSY	1
3	----	TIEROD ASSY	4
4	142114	BUTT CLEVIS ASSY	1
5	142109	GLAND ASSEMBLY	1
6	----	PISTON	1
7	142110	CLEVIS ASSY	1
8	----	LOCKNUT	1
9	----	SHIPPING PLUG	1
10	----	SHIPPING PLUG	3
11	142112	BUSHING	4
12	141301	BUSHING	1
13	143994	CLEVIS PIN	2
14	111789	ROLL PIN	4
15	----	TEFLON SEAL	1
16	----	O- RING	1
17	----	O- RING	2
18	----	BU- WASHER	2
19	----	BEARING RING	1
20	----	U- CUP	1
21	----	CANNED WIPER	1
22	147745	PACKING KIT (NOT SHOWN) (INCLUDES ITEMS 15-21)	

ILLUSTRATED PARTS LIST

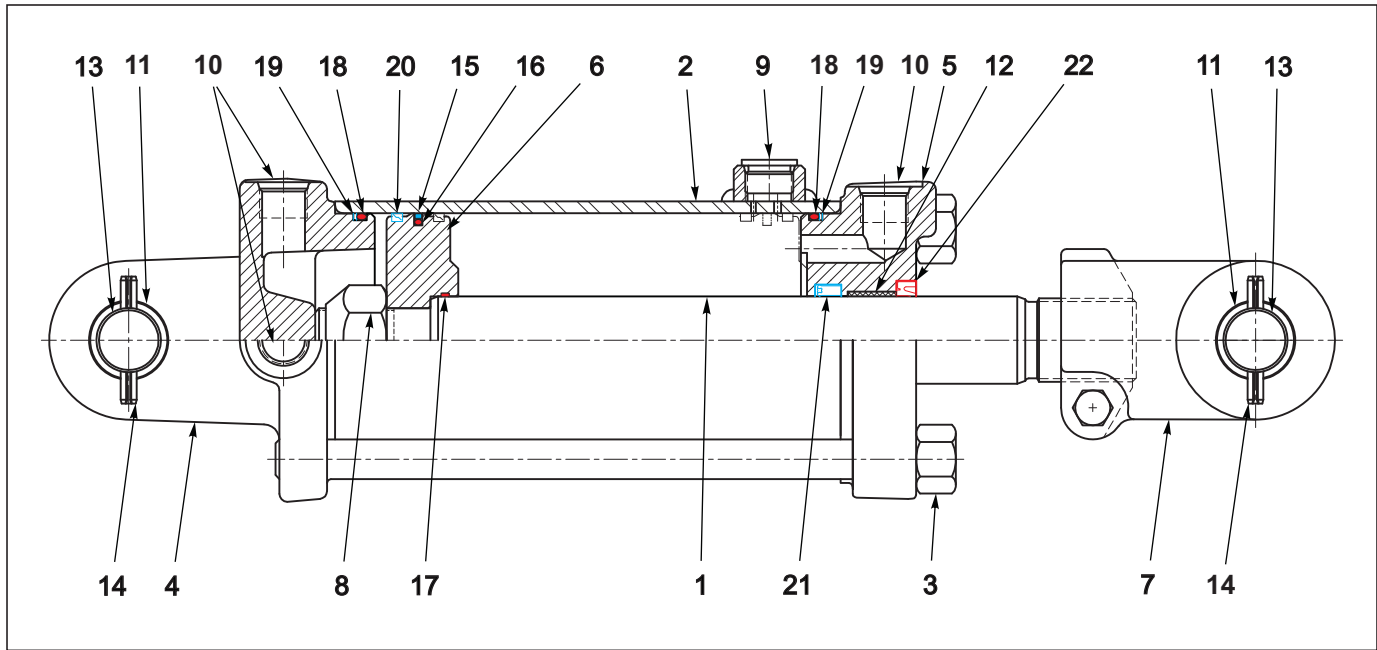


Figure 1-59: Cylinder - Rephase Assembly - 3-3/4 X 10 (1" Pin)

Cylinder - Rephase Assembly - 3-3/4 X 10 (1" Pin)

ITEM	PART NO.	DESCRIPTION	QTY.
--	140471	CYLINDER, 3-3/4 X 10, REPHASE (1" PINS)	
1	----	PISTON, ROD	1
2	----	TUBE ASSY	1
3	----	TIEROD ASSY	1
4	142116	BUTT CLEVIS ASSEMBLY	1
5	111871	GLAND ASSY	1
6	----	PISTON ROD	1
7	142110	CLEVIS ASSY	1
8	----	NUT, LOCK	1
9	----	PLUG, PORT	1
10	----	PLUG, PORT	3
11	142112	BUSHING	4
12	141301	BUSHING	1
13	143994	PIN, CLEVIS	2
14	111789	ROLL PIN	4
15	----	TEFLON SEAL	1
16	----	O- RING	1
17	----	O- RING	1
18	----	O- RING	2
19	----	BU- WASHER	2
20	----	BEARING RING	2
21	----	U- CUP	1
22	----	CANNED WIPER	1
23	142103	PACKING KIT (NOT SHOWN) (INCLUDES ITEMS 15-22)	

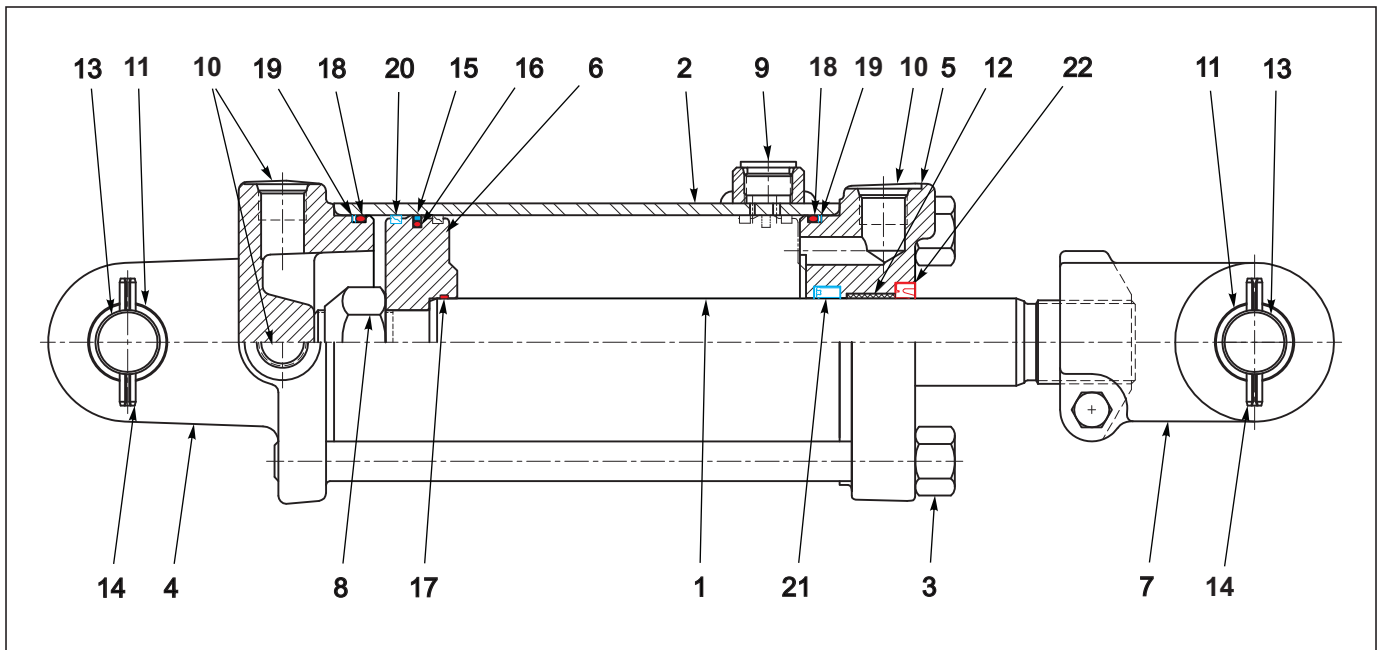


Figure 1-60: Cylinder - Rephase Assembly - 4 X 10 (1" Pin)

Cylinder - Rephase Assembly - 4 X 10 (1" Pin)

ITEM	PART NO.	DESCRIPTION	QTY.
--	140470	CYLINDER 4X10 REPHASE (1" PINS)	
1	----	PISTON, ROD	1
2	----	TUBE	1
3	----	TIEROD ASSY	1
4	142114	BUTT CLEVIS ASSY	1
5	142109	GLAND ASSEMBLY	1
6	----	PISTON	1
7	142110	CLEVIS ASSEMBLY	1
8	----	NUT, LOCK	1
9	----	PLUG, PORT	1
10	----	PLUG, PORT	3
11	142112	BUSHING	4
12	141301	BUSHING	1
13	143994	PIN, CLEVIS	2
14	111789	ROLL PIN	4
15	----	TEFLON SEAL	1
16	----	O- RING	1
17	----	O- RING	1
18	----	O- RING	2
19	----	BU- WASHER	2
20	----	BEARING RING	2
21	----	U- CUP	1
22	----	CANNED WIPER	1
23	142111	PACKING KIT (NOT SHOWN) (INCLUDES ITEMS 15-22)	

ILLUSTRATED PARTS LIST

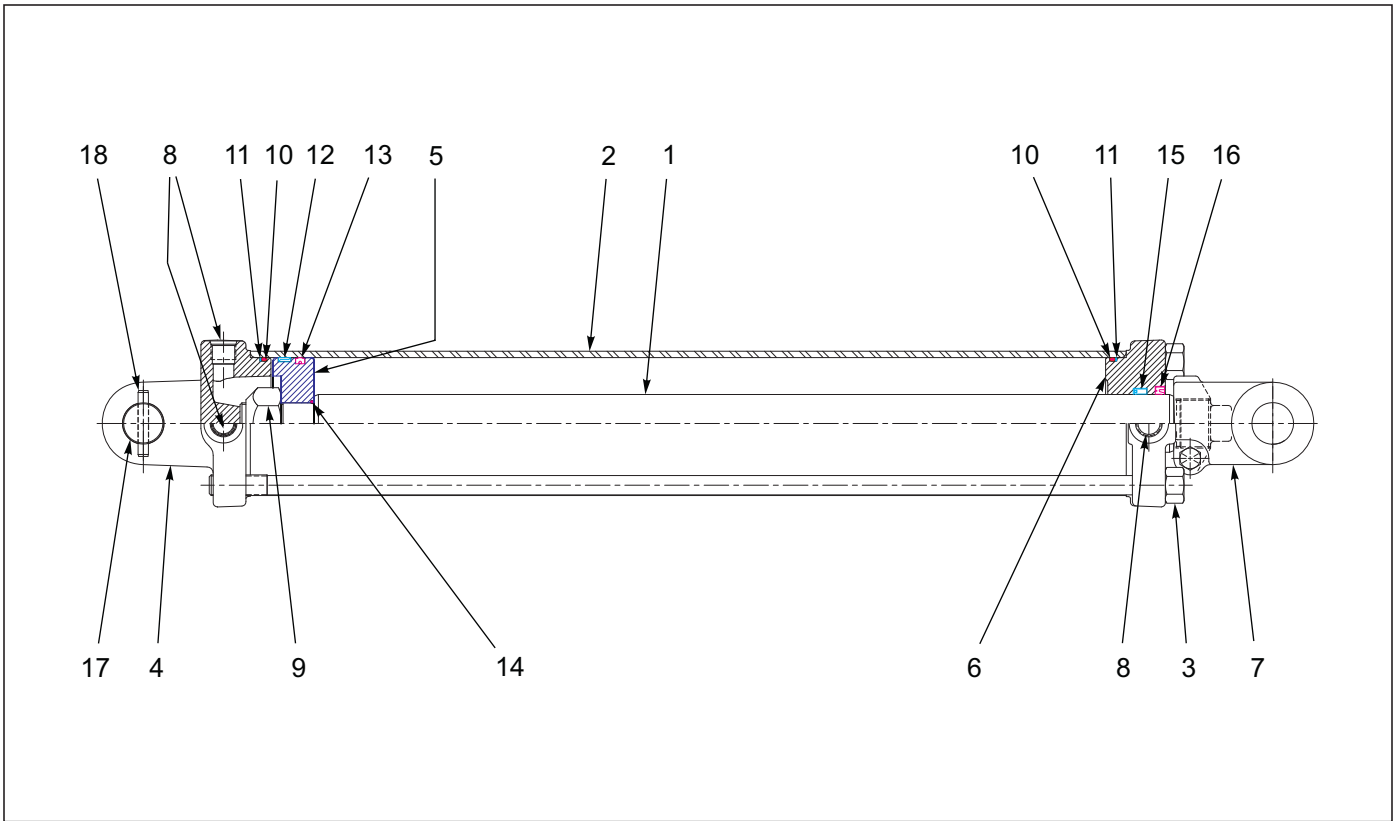


Figure 1-61: Cylinder - 4 X 24

Cylinder - 4 X 24

ITEM	PART NO.	DESCRIPTION	QTY.
--	185650	CYLINDER, 4 X 24 3000 PSI	
1	-----	PISTON ROD	1
2	-----	TUBE	1
3	-----	TIEROD ASSY	4
4	142119	BUTT	1
5	-----	PISTON	1
6	147376	GLAND	1
7	218645	CLEVIS ASSY	1
8	-----	PORT PLUG	3
9	-----	NUT, LOCK	1
10	-----	O- RING	2
11	-----	BU- WASHER	2
12	-----	BEARING IRING, PISTON	1
13	-----	CROWN SEAL	1
14	-----	O- RING	1
15	-----	U- CUP	1
16	-----	WIPER	1
17	147755	CLEVIS PIN	1
18	111789	ROLL PIN	2
19	180486	PACKING KIT (NOT SHOWN) (INCLUDES ITEMS 10-16)	

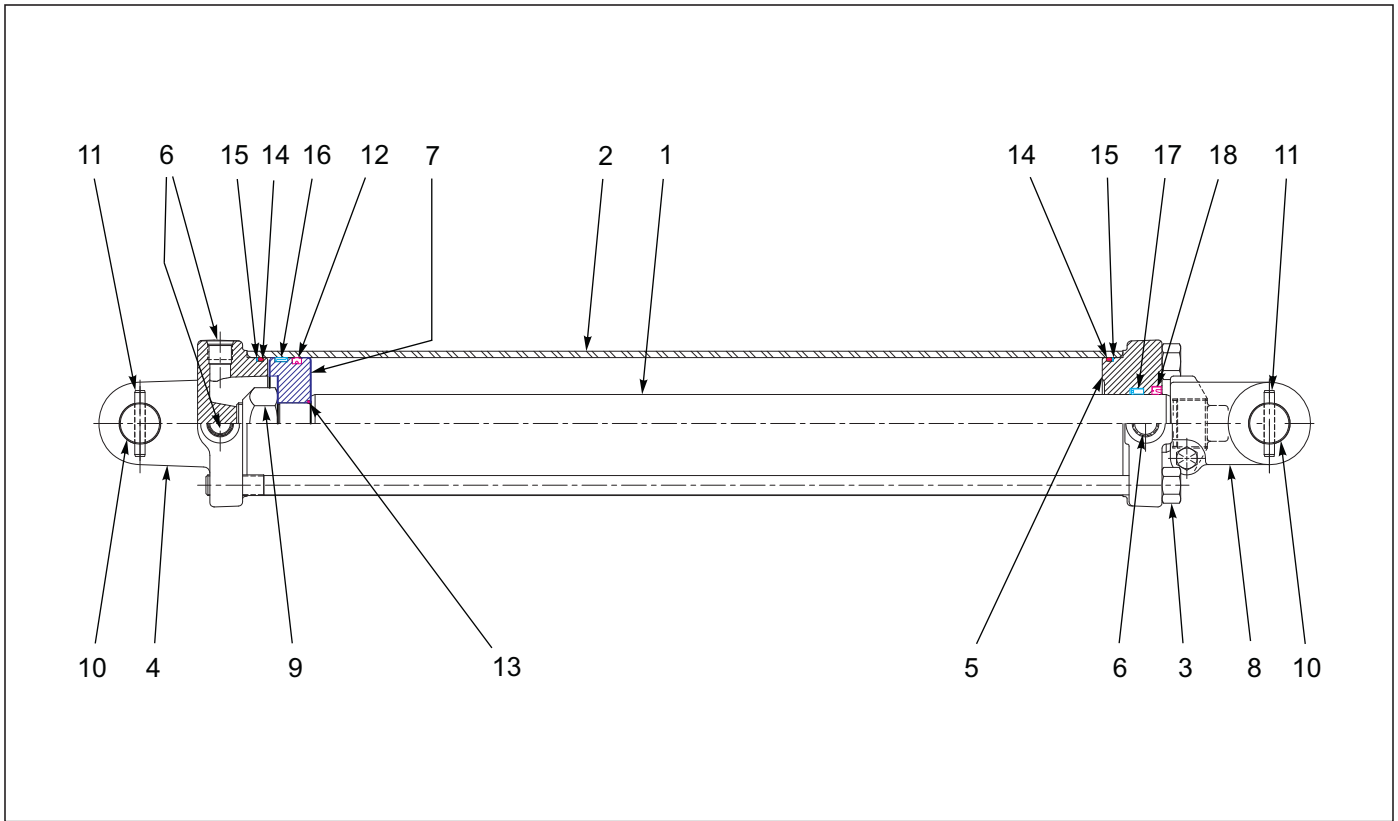


Figure 1-62: Cylinder - 4-1/2 X 24

Cylinder - 4-1/2 X 24

ITEM	PART NO.	DESCRIPTION	QTY.
--	181932	CYLINDER, HYD 4-1/2X24 3000PSI	
1	----	PISTON ROD	1
2	----	TUBE	1
3	----	TIEROD ASSY	4
4	218646	BUTT	1
5	218647	GLAND	1
6	----	PORT PLUG	3
7	----	PISTON	1
8	100000362	CLEVIS ASSEMBLY	1
9	----	LOCKNUT	1
10	169550	CLEVIS PIN	2
11	111789	ROLL PIN	4
12	----	CROWN SEAL	1
13	----	O- RING	1
14	----	O- RING	2
15	----	BU- WASHER	2
16	----	BEARING RING	1
17	----	U- CUP	1
18	----	WIPER	1
19	180483	PACKING KIT (NOT SHOWN) (INCLUDES ITEMS 12-18)	

Electrical

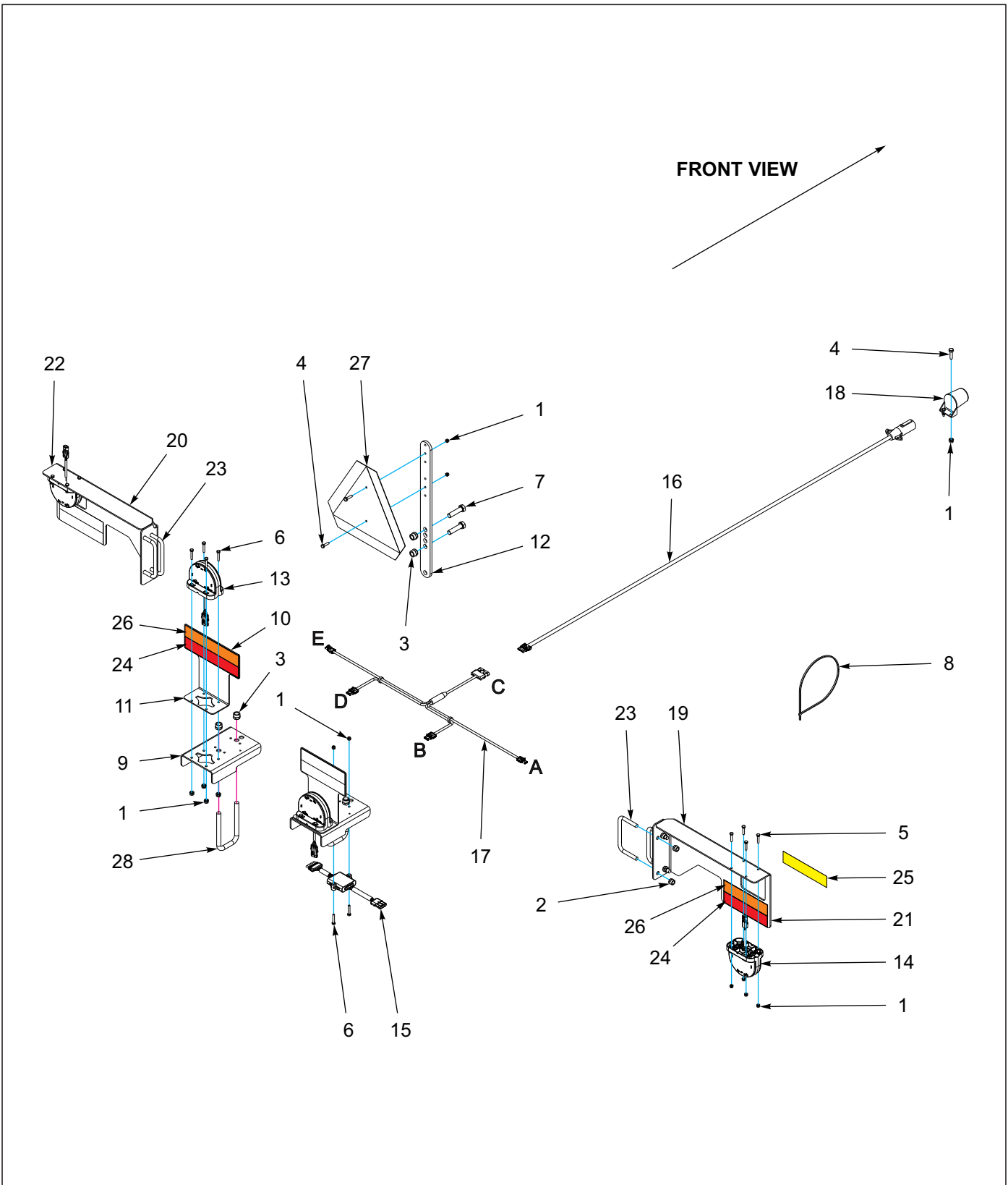






Figure 1-63: Electrical Assembly W/ LED Lights (1 of 2)

7-PIN CONN.	4-PIN TOWER	CIRCUIT	WIRE COLOR
1	D	GROUND	WHITE 
2	-	WORK LAMPS	BLACK 
3	B	LEFT FLASHING & TURN	YELLOW 
4	-	STOP LAMPS	RED 
5	A	RIGHT FLASHING & TURN	GREEN 
6	-	TAIL LAMPS	BROWN 
7	C	SWITCHED POWER (12 V)	BLUE 

16

MAIN WARNING LIGHT HARNESS - WIRING CHART

	1	2	3	4	5
	2-PIN TOWER	3-PIN TOWER	6-PIN SHROUD	3-PIN TOWER	2-PIN TOWER
 BLACK LEFT TURN			A	C	
 WHITE GROUND	A	A	B	A	A
 BROWN TAIL LIGHT		B	C	B	
 YELLOW LEFT TURN			D		B
 GREEN RIGHT TURN	B		E		
 RED RIGHT TURN			F		

17

REAR WARNING LIGHT HARNESS - WIRING CHART

Figure 1-64: Electrical Assembly W/ LED Lights (2 of 2)

ILLUSTRATED PARTS LIST

Electrical Assembly W/ LED Lights

ITEM	PART NO.	DESCRIPTION	QTY.
1	1-512-010005-01	NUT, HEX LOCK 1/4-20 GRB	20
2	1-512-010005-09	NUT, HEX LOCK 1/2-13 GRB	8
3	1-512-010005-13	NUT, HEX LOCK 5/8-11 GRB	6
4	1-654-010047-06	SCREW HEX CAP 1/4-20 X 1 GR5	2
5	1-654-010047-07	SCREW, HEX HEAD CAP 1/4-20 X 1-1/4 GR5	8
6	1-654-010047-08	SCREW, HEX HEAD CAP 1/4-20 X 1-1/2 GR5	10
7	1-654-010059-14	SCREW, HEX HEAD CAP 5/8-11 X 4-1/2 GR5	2
8	105874	TIE SELF LOCKING 19"	15
9	164138	MOUNT, TAIL LIGHT	2
10	164139	MOUNT, REFLECTOR	2
11	164140	REFLECTOR ASSEMBLY (ITEMS 10, 24, & 26)	2
12	164142	BRACKET MOUNTING, SMV	1
13	174435	LAMP, AG RED SINGLE LED	2
14	174436	LAMP, AG AMBER SINGLE LED	2
15	174437	MODULE, AG FLASHER CONTROL	1
16	174438	HARNESS, MAIN WARNING LIGHT (NOTE: THE COLOR OF THE WIRE JACKET DOES NOT NECESSARILY MATCH THE COLOR MARKING OF THE 7 PIN CONNECTOR)	1
17	174439	HARNESS, REAR WARNING LIGHT	1
18	2-368-010287	HARNESS, STOR-AWAY	1
19	182404	LIGHT ASSEMBLY, AMBER LED, RT (ITEMS 1, 5, 21, & 24-26)	1
20	182405	LIGHT ASSEMBLY, AMBER LED, LT (ITEMS 1, 22-26)	1
21	182406	MOUNT, LIGHT RIGHT	1
22	182407	MOUNT, LIGHT LEFT	1
23	2-102-010051	U-BOLT WING REST	4
24	528933	REFLECTOR, RED	4
25	528934	REFLECTOR, YELLOW	2
26	528938	STRIPE, ORANGE	4
27	70260977	SMV EMBLEM	1
28	8-102-010043	U-BOLT, SPRING CLAMP	2

Decals

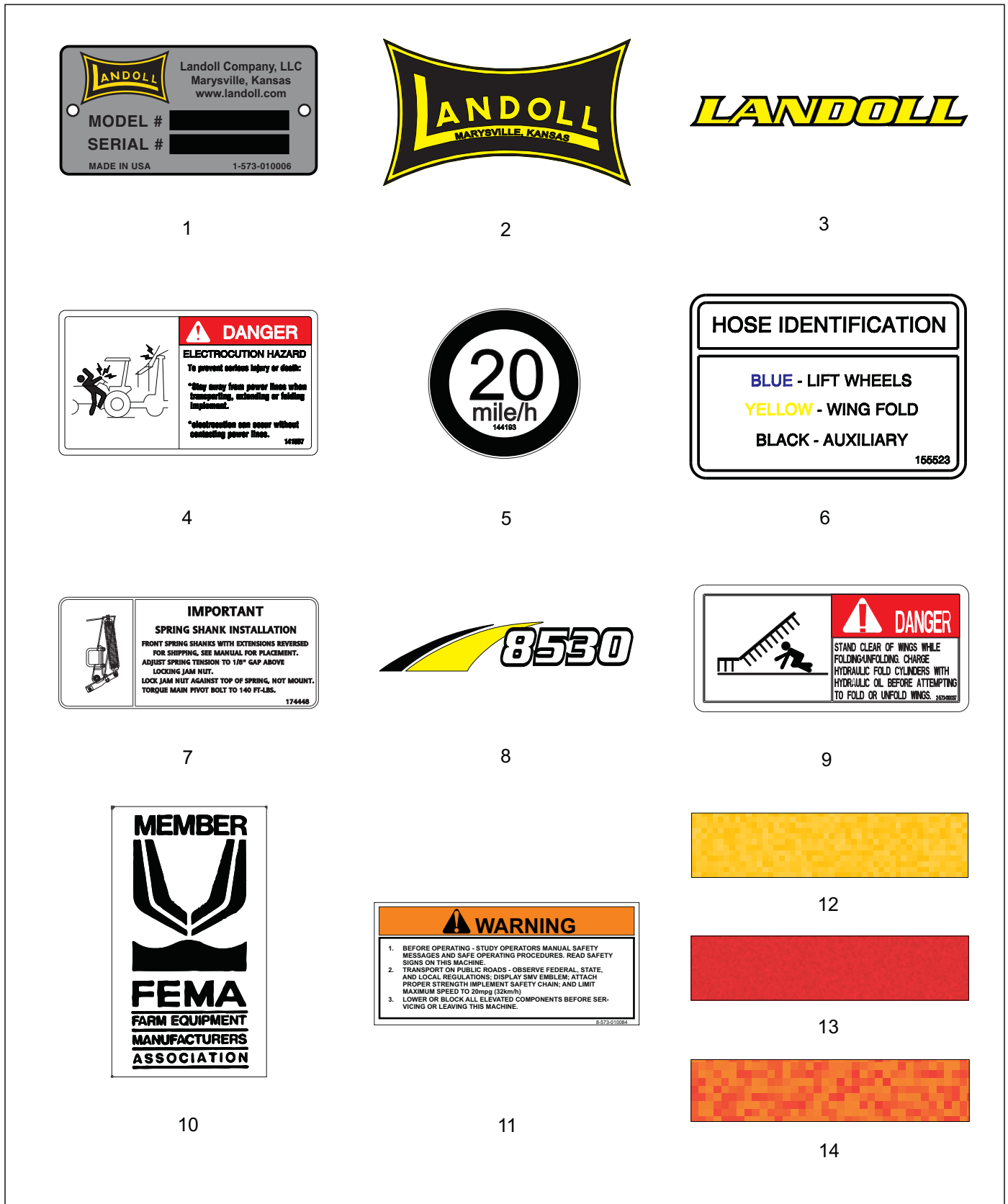


Figure 1-65: Decal Arrangement (1 of 2)

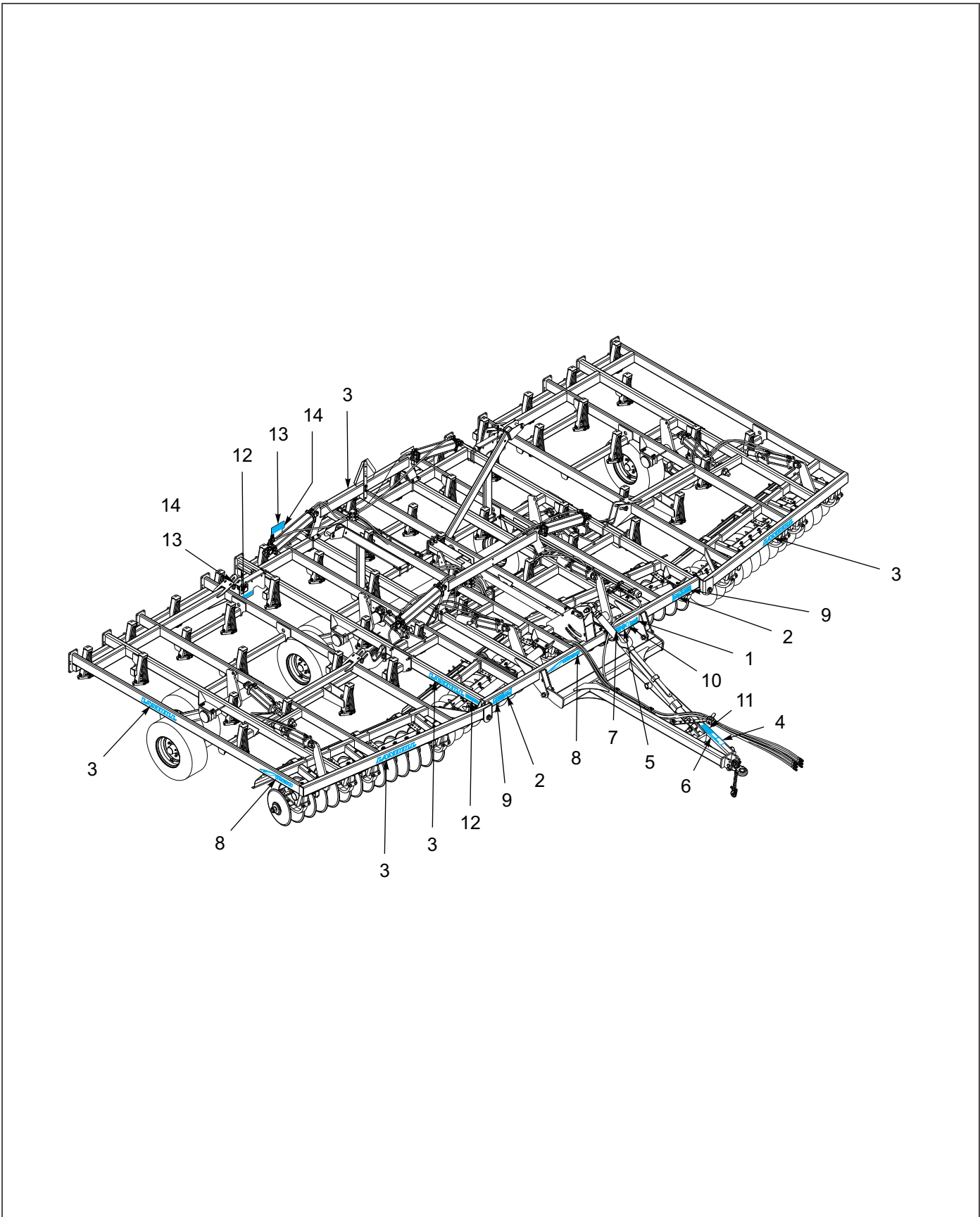


Figure 1-66: Decal Locations (2 of 2)

Decal Arrangement & Locations

ITEM	PART NO.	DESCRIPTION	QTY.
1	1-573-010006	PLACARD, NAME	1
2	141259	DECAL, LANDOLL, YELLOW	2
3	141260	DECAL, LANDOLL	7
4	141597	DECAL, DANGER ELECTRODUCTION	1
5	144193	DECAL, SIS, 20 MPH	1
6	155523	DECAL, HOSE IDENTIFICATION	1
7	174448	DECAL, IMPORTANT	1
8	181881	DECAL, MODEL 8530	3
9	2-573-010037	DECAL, DANGER WING	2
10	2-573-010198	DECAL, MEMBER FEMA	1
11	8-573-010084	DECAL, WARNING BEFORE OPERATING	1
12	528934	REFLECTOR, YELLOW, 2 X 9	4
13	528933	REFLECTOR, RED, 2 X 9	4
14	528938	REFLECTOR, ORANGE, 2 X 9	4

4 Row Coil Tines

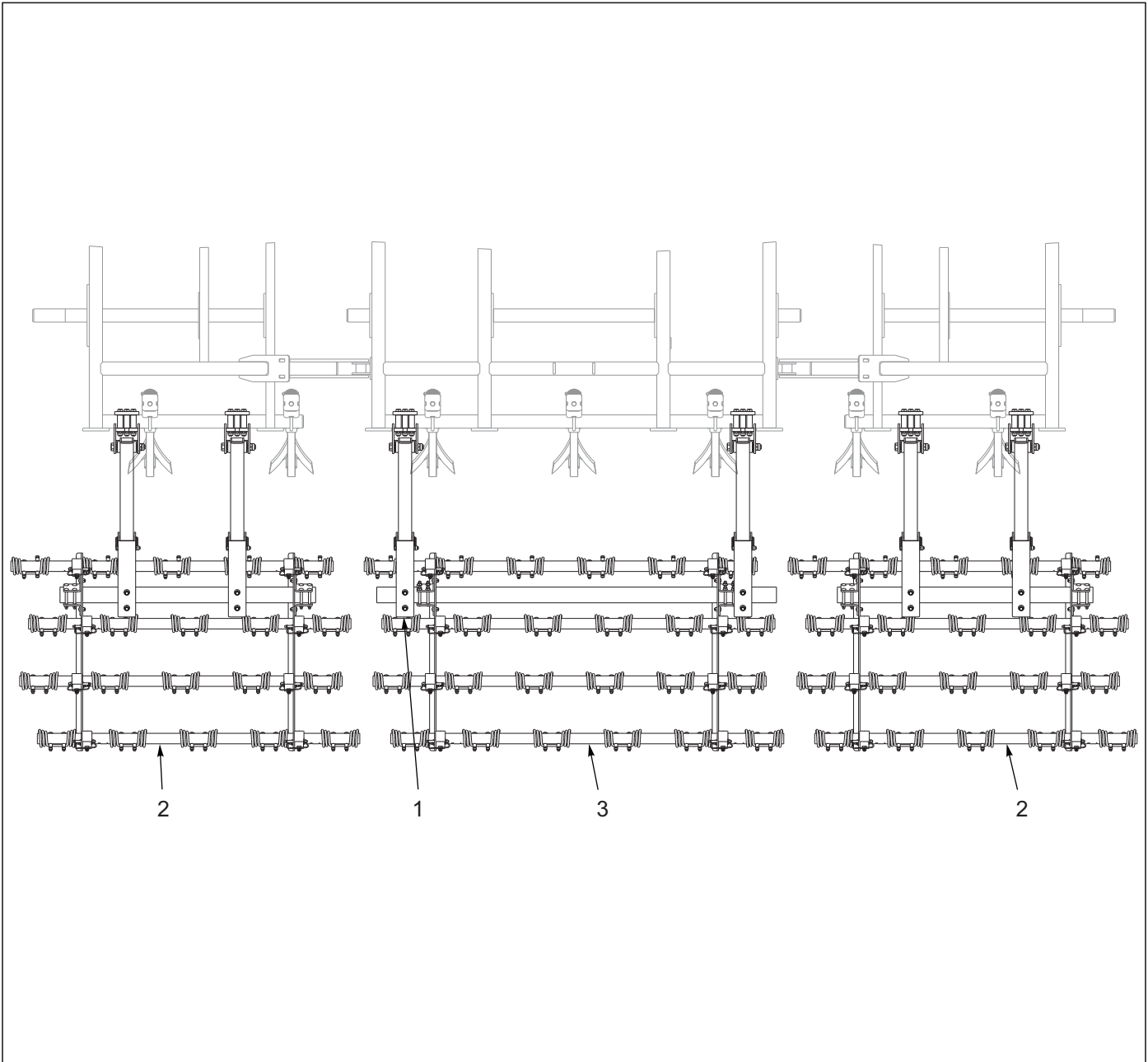


Figure 1-67: 4 Coil Row Tine - 19'

4 Row Coil Tine - 19'

ITEM	PART NO.	DESCRIPTION	QTY.
--	232380	4 ROW CT HARROW 8530-19 (SEE PAGE 1-111)	
1	229061	HARROW ARM ASSY, COIL TINE (SEE PAGE 1-113)	6
2	229072	HARROW ASSY, 5 TINE 8 IN (SEE PAGE 1-113)	2
3	229073	HARROW ASSY, 6 TINE 8 IN (SEE PAGE 1-113)	1

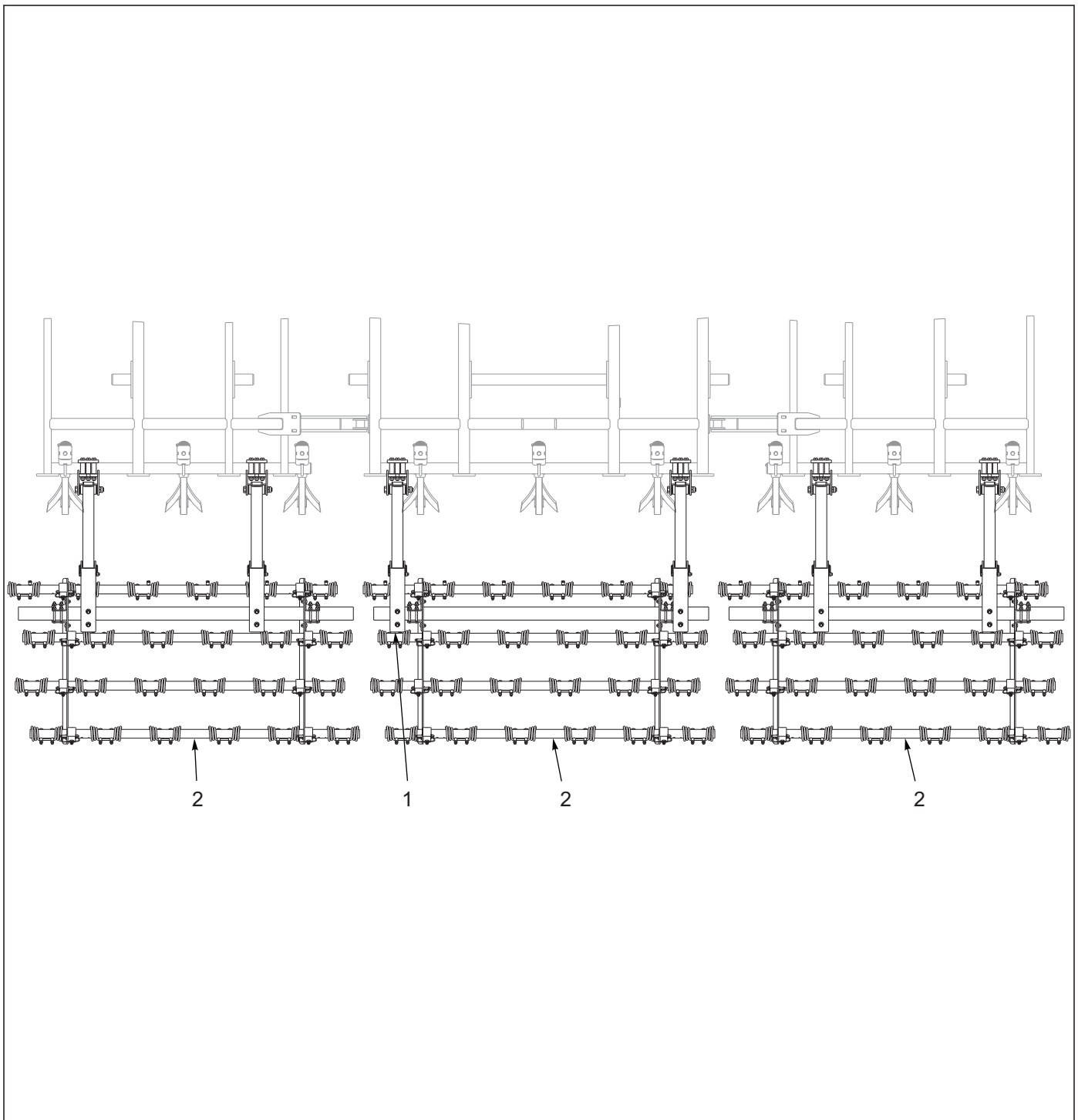


Figure 1-68: 4 Coil Row Tine- 22'

4 Row Coil Tine - 22'

ITEM	PART NO.	DESCRIPTION	QTY.
--	232381	4 ROW CT HARROW 8530-22 (SEE PAGE 1-111)	
1	229061	HARROW ARM ASSY, COIL TINE (SEE PAGE 1-113)	6
2	229073	HARROW ASSY, 6 TINE 8 IN (SEE PAGE 1-113)	3

ILLUSTRATED PARTS LIST

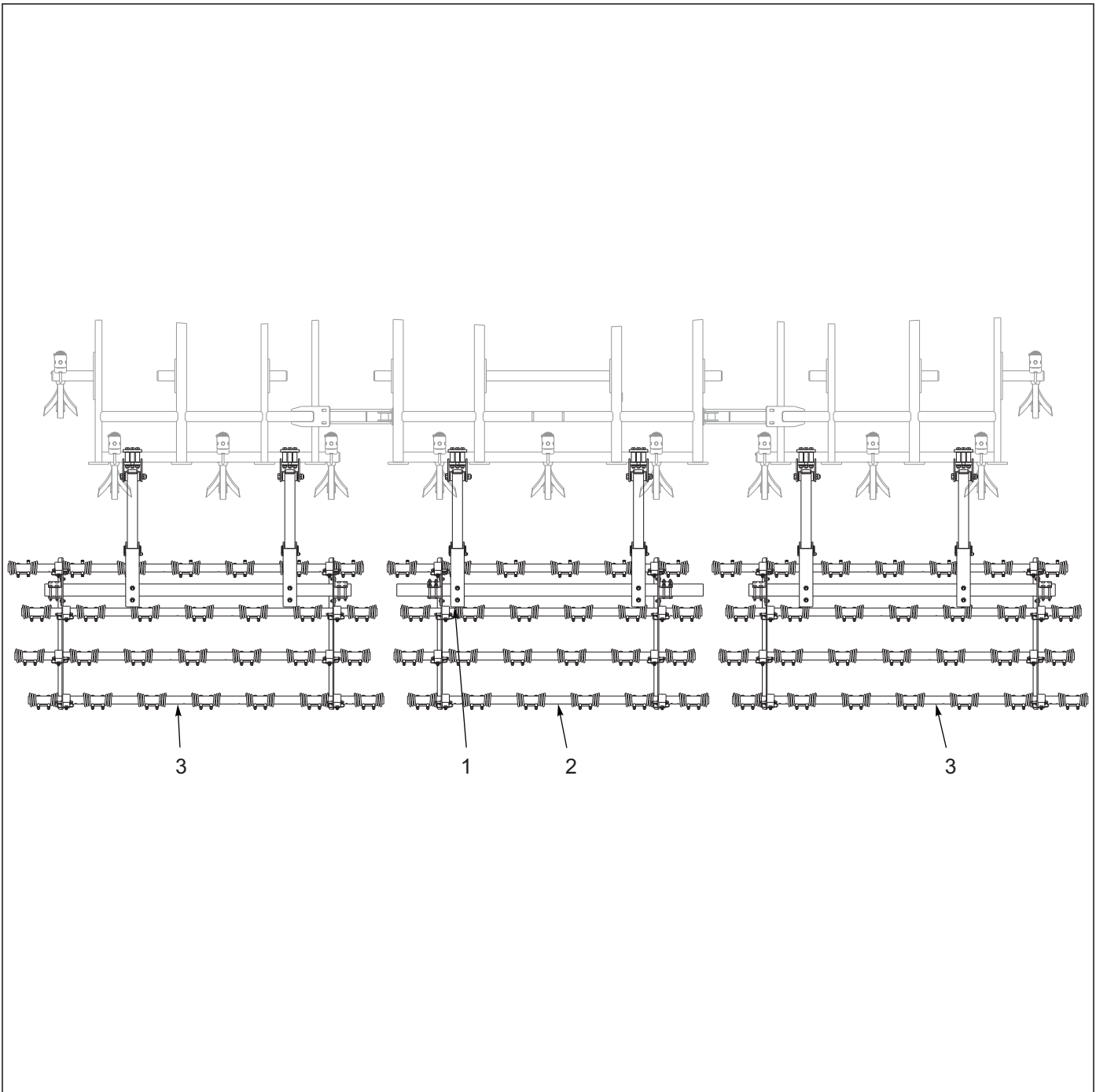


Figure 1-69: 4 Coil Row Tine - 25'

4 Row Coil Tine - 25'

ITEM	PART NO.	DESCRIPTION	QTY.
--	232382	4 ROW CT HARROW 8530-25 (SEE PAGE 1-111)	
1	229061	HARROW ARM ASSY, COIL TINE (SEE PAGE 1-113)	6
2	229073	HARROW ASSY, 6 TINE 8 IN (SEE PAGE 1-113)	1
3	229074	HARROW ASSY, 7 TINE 8 IN (SEE PAGE 1-113)	2

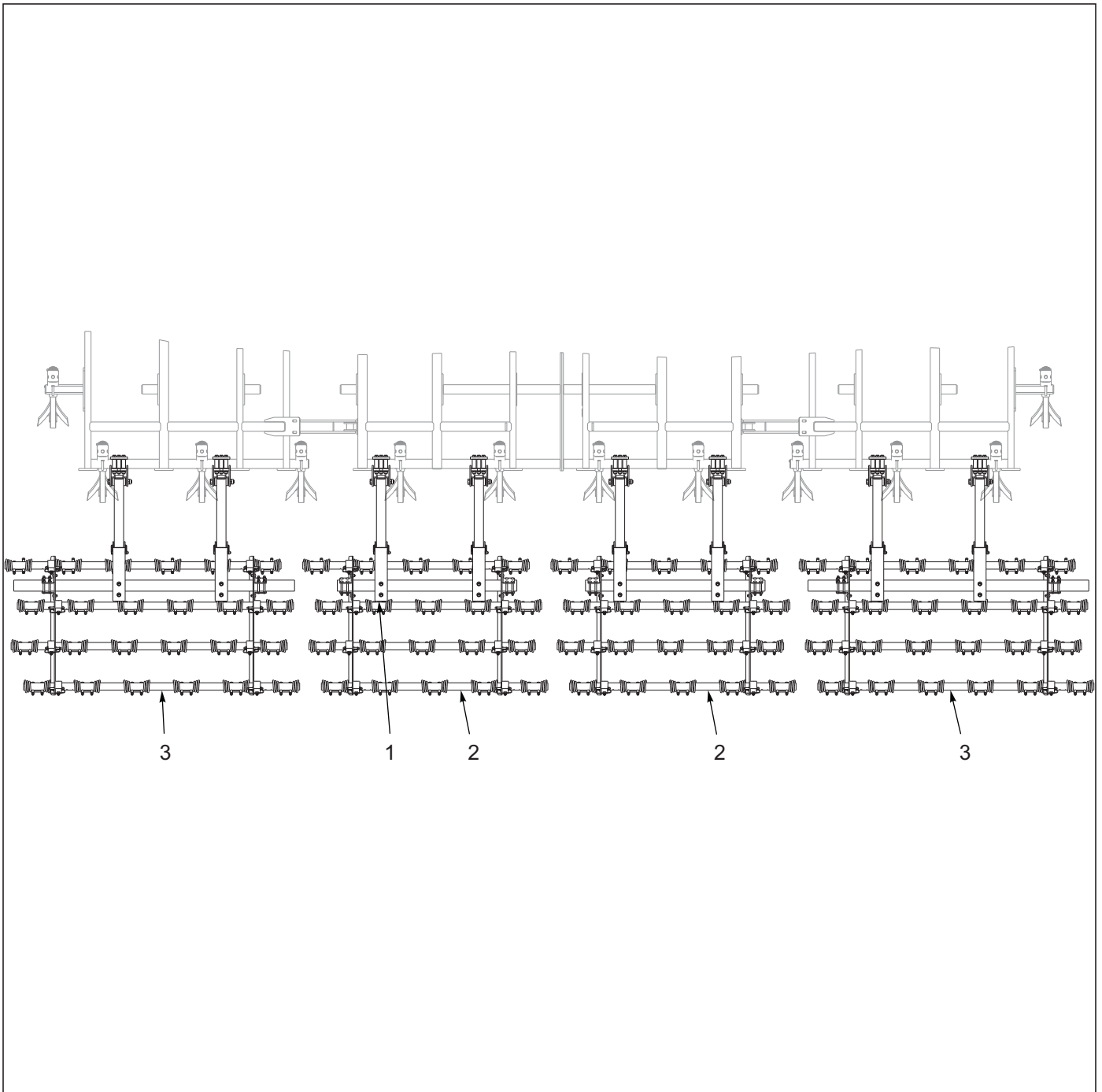


Figure 1-70: 4 Coil Row Tine - 27'

4 Row Coil Tine - 27'

ITEM	PART NO.	DESCRIPTION	QTY.
--	232383	4 ROW CT HARROW 8530-27 (SEE PAGE 1-111)	
1	229061	HARROW ARM ASSY, COIL TINE (SEE PAGE 1-113)	8
2	229072	HARROW ASSY, 5 TINE 8 IN (SEE PAGE 1-113)	2
3	229073	HARROW ASSY, 6 TINE 8 IN (SEE PAGE 1-113)	2

ILLUSTRATED PARTS LIST

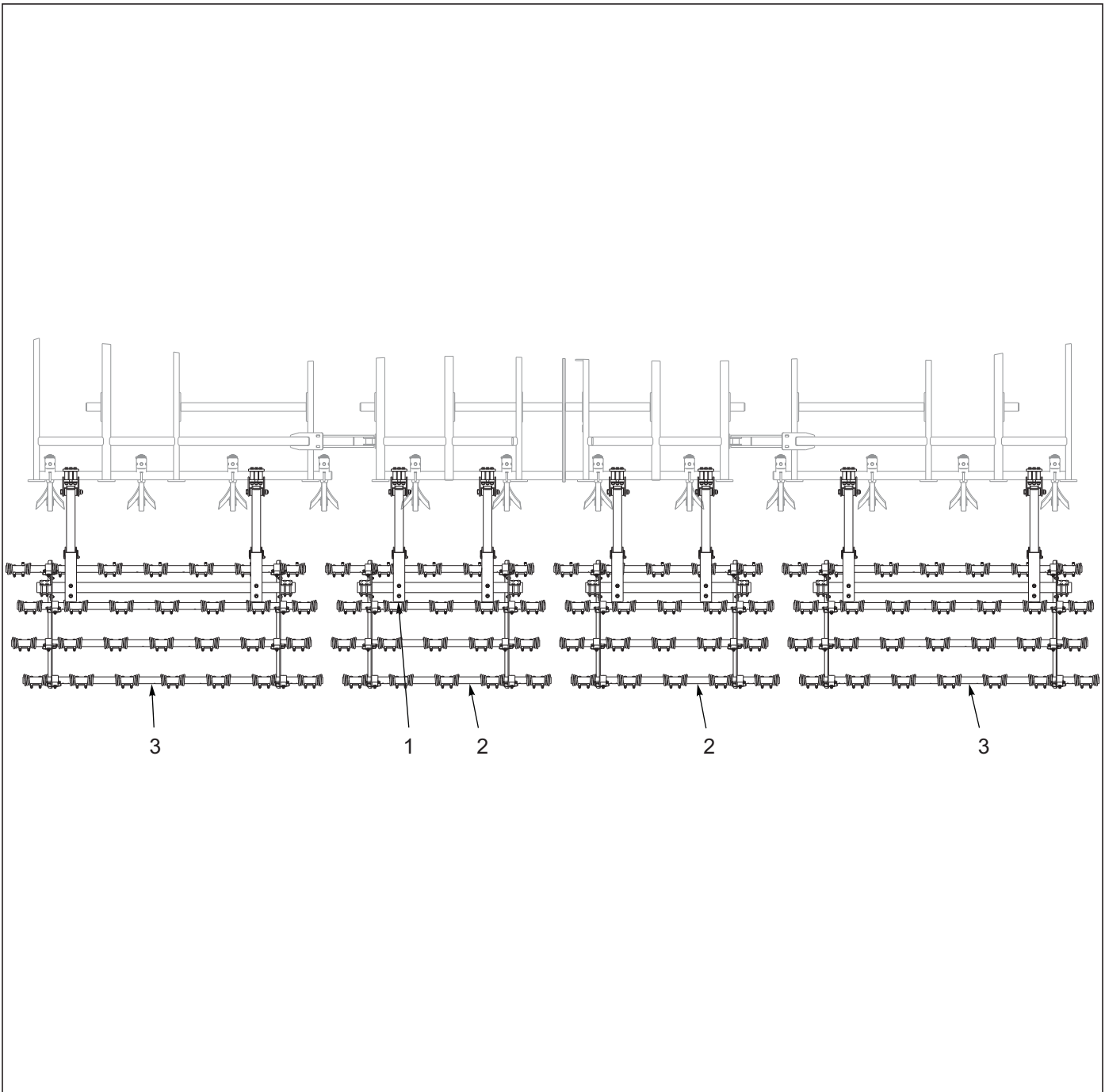


Figure 1-71: 4 Coil Row Tine - 30'

4 Row Coil Tine - 30'

ITEM	PART NO.	DESCRIPTION	QTY.
--	232384	4 ROW CT HARROW 8530- 30 (SEE PAGE 1-111)	
1	229061	HARROW ARM ASSY, COIL TINE (SEE PAGE 1-113)	8
2	229072	HARROW ASSY, 5 TINE 8 IN (SEE PAGE 1-113)	2
3	229074	HARROW ASSY, 7 TINE 8 IN (SEE PAGE 1-113)	2

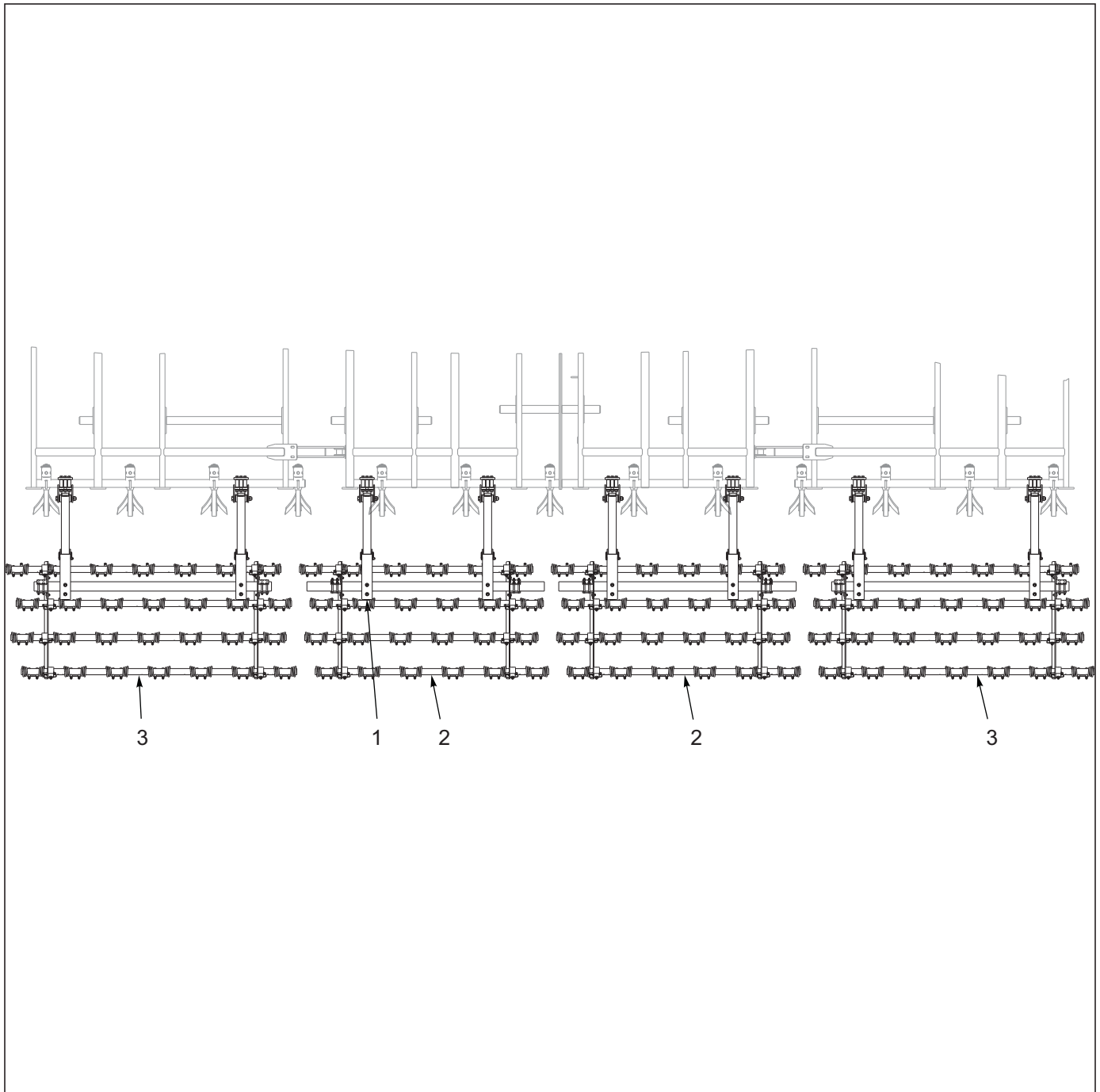


Figure 1-72: 4 Coil Row Tine - 33'

4 Row Coil Tine - 33'

ITEM	PART NO.	DESCRIPTION	QTY.
--	232385	4 ROW CT HARROW 8530-33 (SEE PAGE 1-111)	
1	229061	HARROW ARM ASSY, COIL TINE (SEE PAGE 1-113)	6
2	229073	HARROW ASSY, 6 TINE 8 IN (SEE PAGE 1-113)	2
3	229074	HARROW ASSY, 7 TINE 8 IN (SEE PAGE 1-113)	2

ILLUSTRATED PARTS LIST

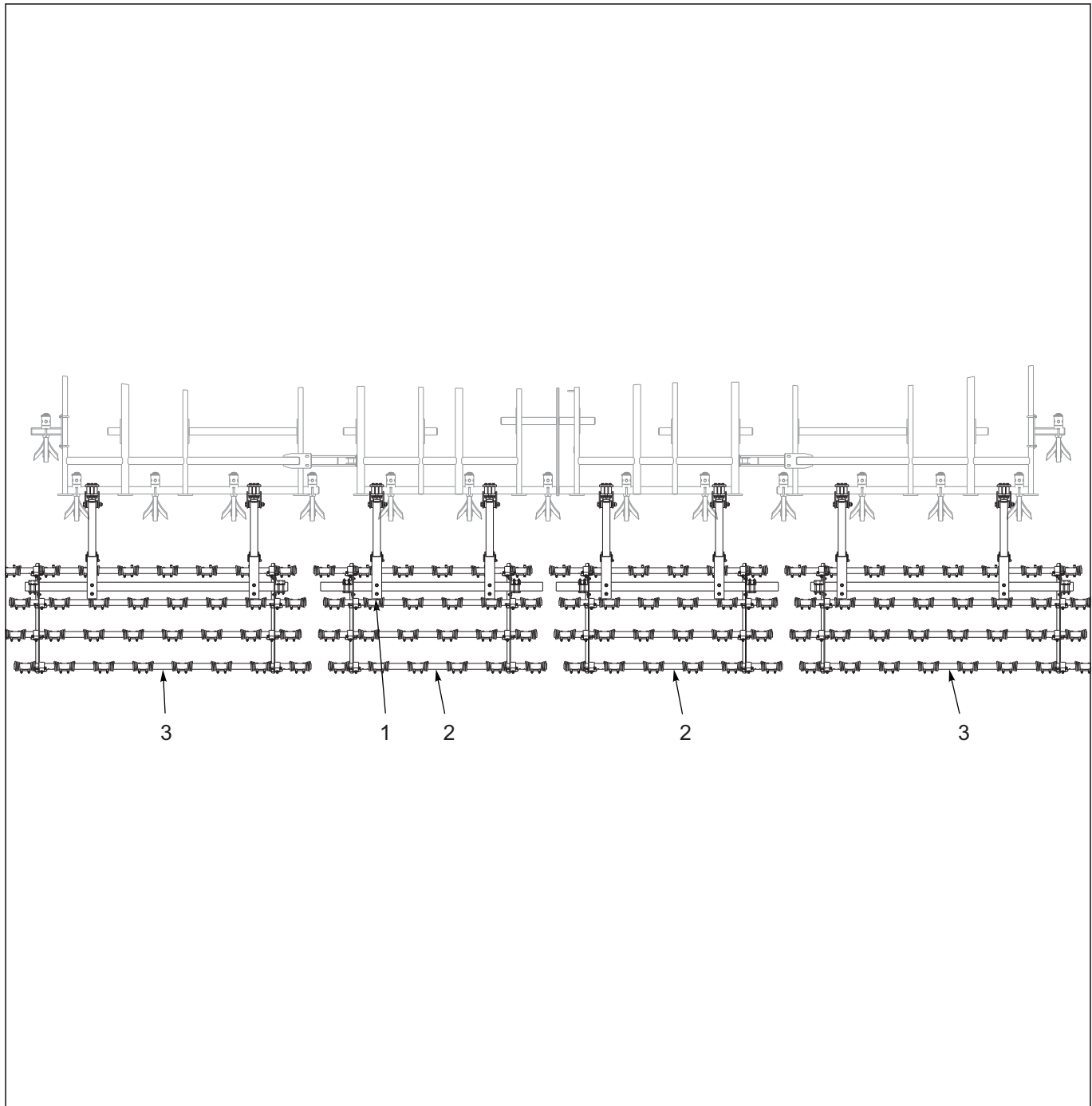


Figure 1-73: 4 Coil Row Tine - 35'

4 Row Coil Tine - 35'

ITEM	PART NO.	DESCRIPTION	QTY.
--	232386	4 ROW CT HARROW 8530-35 (SEE PAGE 1-111)	
1	229061	HARROW ARM ASSY, COIL TINE (SEE PAGE 1-113)	8
2	229073	HARROW ASSY, 6 TINE 8 IN (SEE PAGE 1-113)	2
3	229075	HARROW ASSY, 8 TINE 8 IN (SEE PAGE 1-113)	2

ILLUSTRATED PARTS LIST

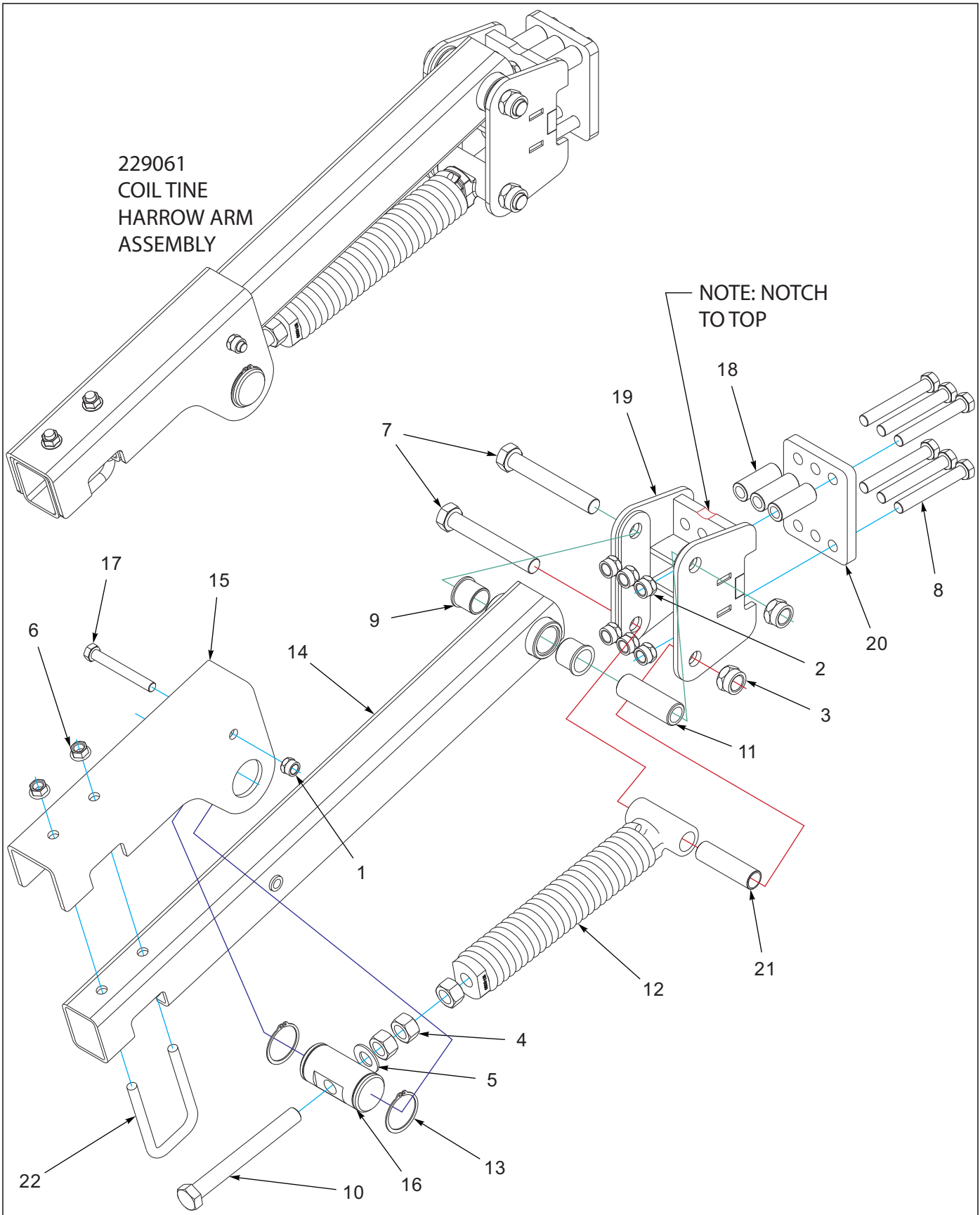


Figure 1-74: Coil Tine Harrow Arm Assembly

Coil Tine Harrow Arm Assembly

ITEM	PART NO.	DESCRIPTION	QTY.
--	229061	HARROW ARM ASSY, COIL TINE	
1	1-512-010005-13	NUT,HEX SLFLKG GRB 5/8-11	1
2	1-512-010005-15	NUT,HEX,SLFLKG GRB 3/4-10	6
3	1-512-010005-19	NUT 1-8 HEX SLF-LOCKING GRB	2
4	1-512-010007-14	NUT, HEX 1-8 GR2 ZP	3
5	1-861-010032-24	WASHER FL 1IN NARROW ZP	1
6	100827	NUT,FLG HD,SERRATED,5/8-11	2
7	100830	SCREW,HEX CAP,1-8X7,GR5	2
8	139201	SCREW,HX CP 3/4-10UNCX5.50GR8	6
9	140599	BEARING, FLANGE 1-1/2"	2
10	152210	BOLT, ADJ, 1 X 9	1
11	155002	BUSHING PIVOT 1-1/2	1
12	155963	SPRING ASSY, HVY - 17"	1
13	158896	SNAP RING, 2-1/2 SHAFT	2
14	164331	ARM, TINE HARROW	1
15	164335	MOUNT, HARROW ARM SPRING	1
16	164336	PIN, ADJUSTMENT W/SNAP RING	1
17	172830	SCREW HX CP 5/8-11X5 GR8	1
18	211056	BUSHING, CLAMP 3" L	3
19	229062	MOUNT, TINE HARROW	1
20	229063	MOUNTING PLATE, HARROW	1
21	229068	BUSHING, PIVOT - 1-1/4	1
22	8-102-010043	U-BOLT, SPRING CLAMP	1

ILLUSTRATED PARTS LIST

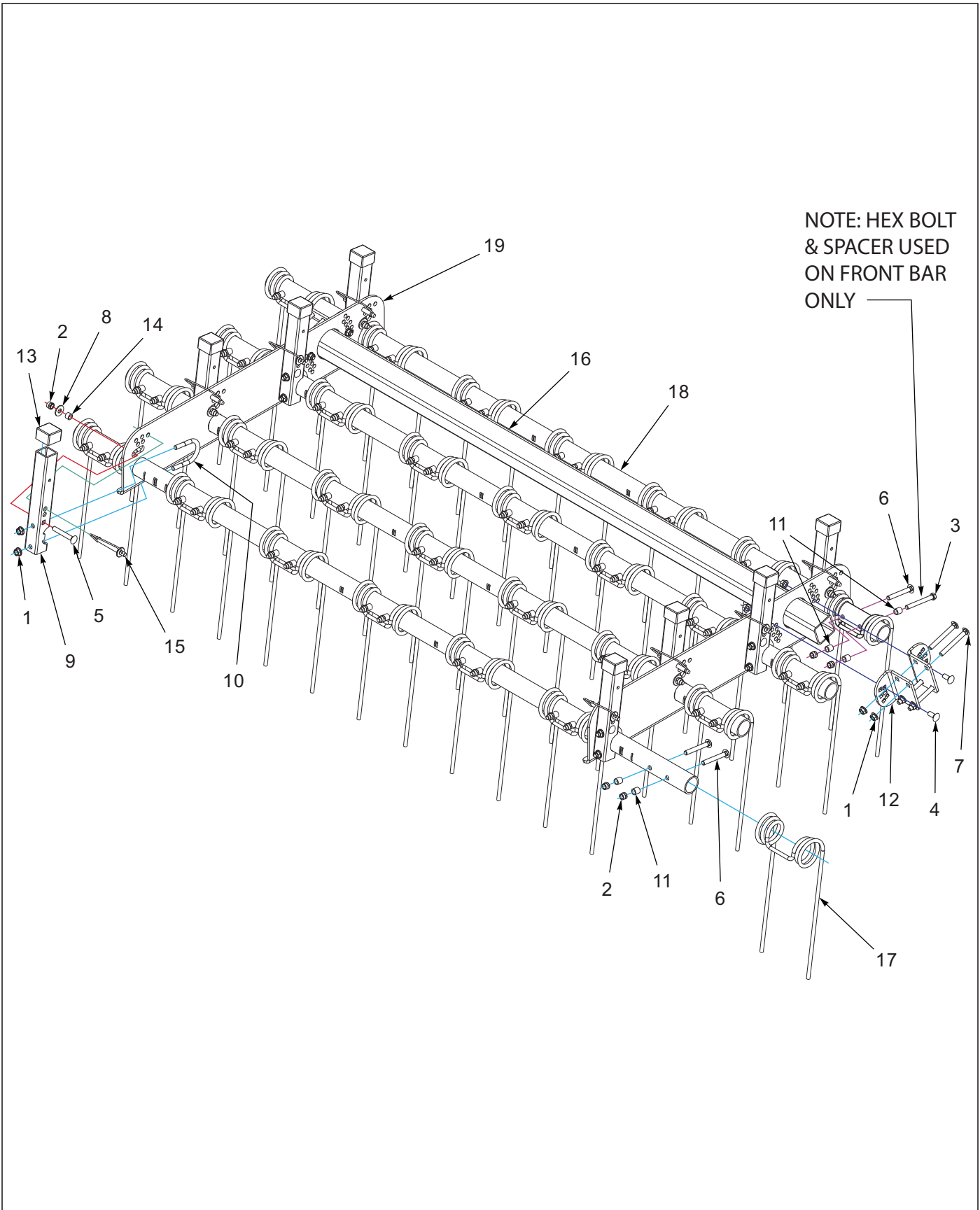


Figure 1-75: 4 Row Coil Tine Harrow Assembly

4 Row Coil Tine Harrow Assembly

ITEM	PART NO.	DESCRIPTION	QTY.			
--	229072	HARROW ASSY, 5 TINE 8 IN	*			
--	229073	HARROW ASSY, 6 TINE 8 IN		*		
--	229074	HARROW ASSY, 7 TINE 8 IN			*	
--	229075	HARROW ASSY, 8 TINE 8 IN				*
1	1-510-010003-09	NUT,1/2-13 FLANGE HD,SERRATED	28	28	28	28
2	1-512-010005-09	NUT,HEX,SLFLKG, 1/2-13 GRB	48	56	64	72
3	1-654-010055-14	SCREW,HX CP,1/2-13UNCX4-1/2G5	5	6	7	8
4	1-654-010070-02	SCREW 1/2-13X1-1/4 RD HD SQNK	4	4	4	4
5	1-654-010070-11	SCREW,RDHD,SQNK 1/2-13X3-1/2	8	8	8	8
6	1-654-010070-13	SCREW,RH HD, SQ NCK 1/2-13X4	35	42	49	56
7	1-654-010070-14	SCREW 1/2-13X4-1/2RDHD SQNK	8	8	8	8
8	1-861-010032-15	WASHER, FLAT 1/2 W ZP/CD	8	8	8	8
9	154994	TUBE ANGLE ADJUST	8	8	8	8
10	154995	U-BOLT, 1/2	8	8	8	8
11	154997	TUBE 0.75ODX0.532IDX0.75 ZP	45	54	63	72
12	154998	PLATE ANGLE ADJUSTMENT	4	4	4	4
13	155927	CAP, TUBE 1.95X1.5 BLACK	8	8	8	8
14	155956	BUSHING ANGLE ADJUSTMENT	8	8	8	8
15	155971	PIN, HARROW ADJ	8	8	8	8
16	156777	TUBE RIDE BAR 57.875"	1	--	--	--
16	156778	TUBE RIDE BAR 90.5"	--	1	1	--
16	155005	TUBE SQ 3 X 3/16X107	--	--	--	1
16	156779	TUBE RIDE BAR 138"	--	--	--	--
17	164315	TINE, HARROW 7/16 X 18	20	24	28	32
18	164318	GANG BAR 5 TINE 8IN 73"	4	--	--	--
18	164319	GANG BAR 6 TINE 8 IN 89"	--	4	--	--
18	164320	GANG BAR 7 TINE 8IN 105"	--	--	4	--
18	164321	GANG BAR 8 TINE 8 IN 121"	--	--	--	4
18	164322	GANG BAR 9 TINE 8IN 137"	--	--	--	--
18	164323	GANG BAR 10 TINE 8IN 153"	--	--	--	--
19	227628	PLATE, GANG BAR 4 ROW	2	2	2	2

3 Row Tine & Reels

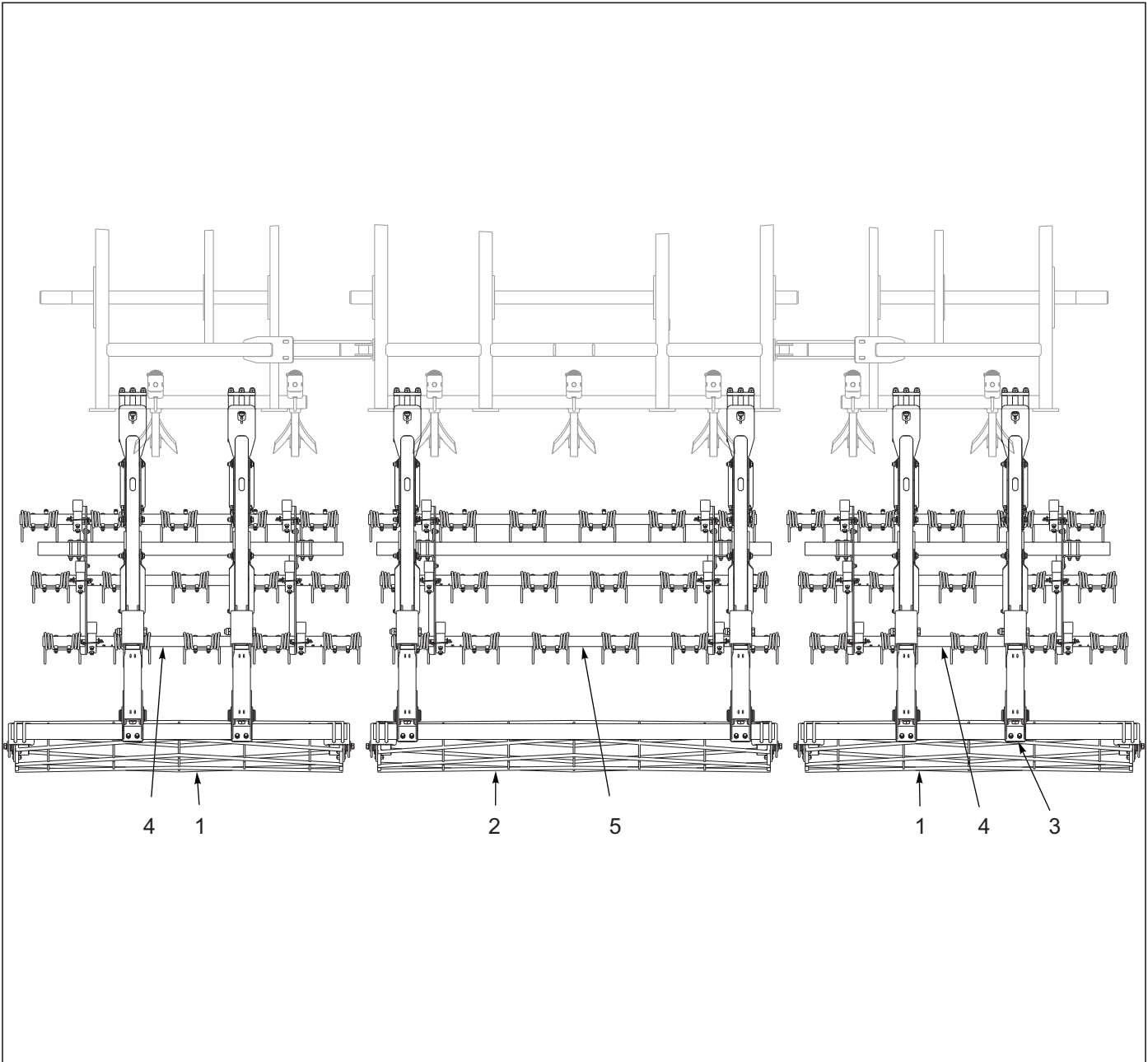


Figure 1-76: 3 Row Tine & Reel - 19'

3 Row Tine & Reel - 19'

ITEM	PART NO.	DESCRIPTION	QTY.
--	231497	3 ROW TINE & REEL, 8530-19	
1	200254	REEL ASSY 12 DIA X 75" (SEE PAGE 1-145)	2
2	200255	REEL ASSY 12 DIA X 90" (SEE PAGE 1-145)	1
3	227670	ARM ASSY, TINE & REEL(SEE PAGE 1-123)	6
4	229711	HARROW ASSY, 5 TINE 3 ROW (SEE PAGE 1-125)	2
5	229712	HARROW ASSY, 6 TINE 3 ROW (SEE PAGE 1-125)	1

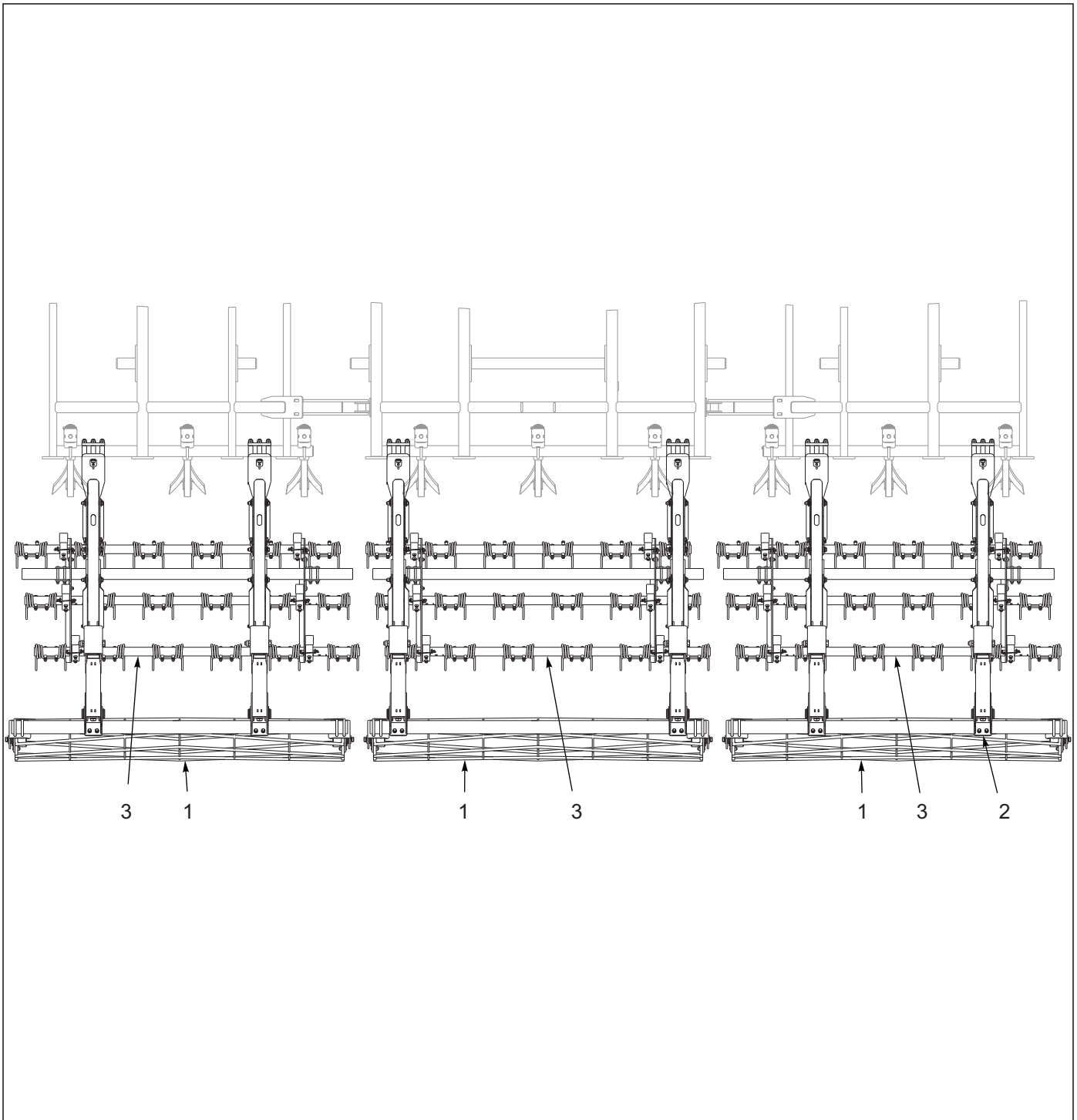


Figure 1-77: 3 Row Tine & Reel - 22'

3 Row Tine & Reel - 22'

ITEM	PART NO.	DESCRIPTION	QTY.
--	231498	3 ROW TINE & REEL, 8530-22	
1	200255	REEL ASSY 12 DIA X 90" (SEE PAGE 1-145)	3
2	227670	ARM ASSY, TINE & REEL(SEE PAGE 1-123)	6
3	229712	HARROW ASSY, 6 TINE 3 ROW (SEE PAGE 1-125)	3

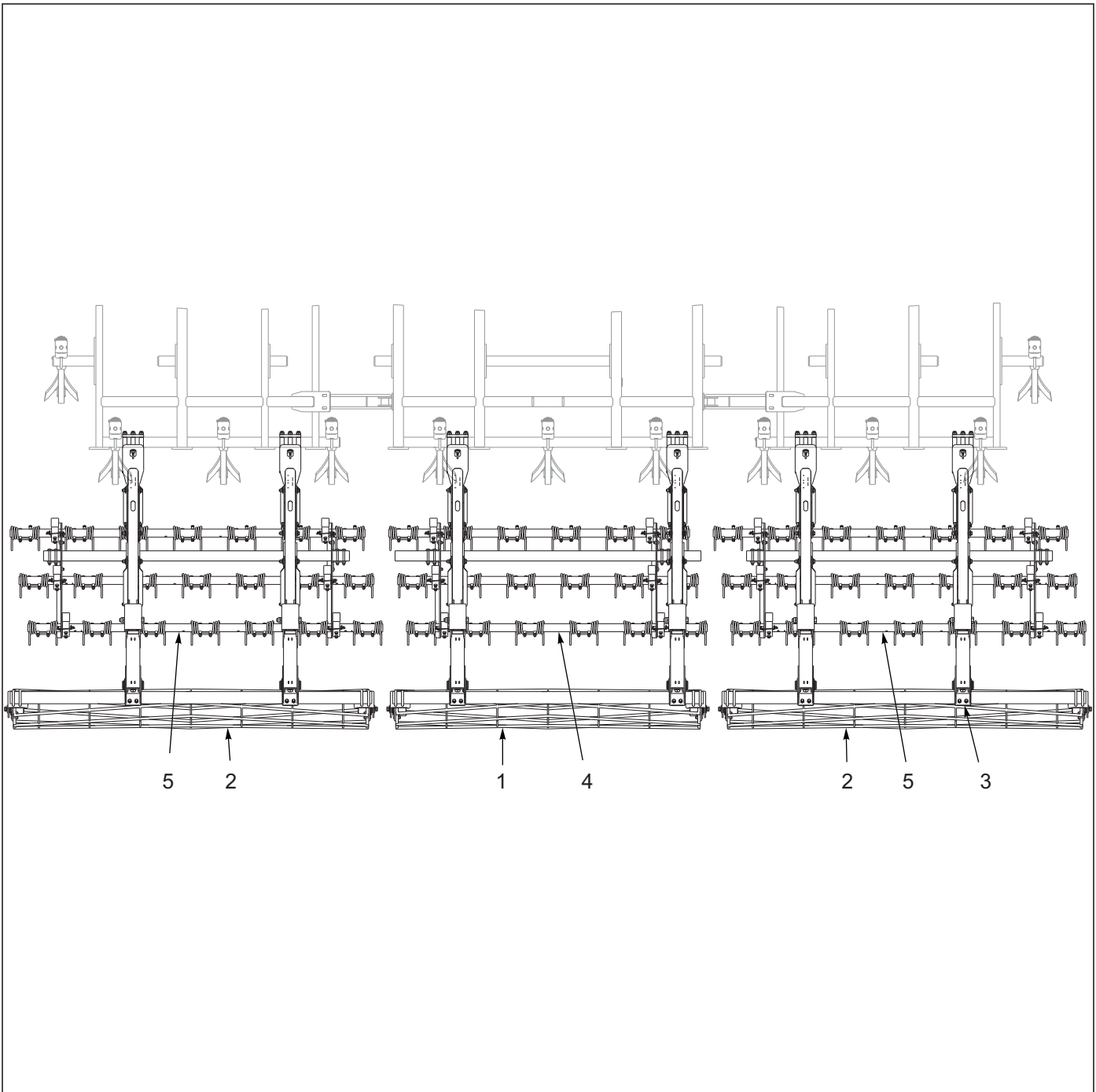


Figure 1-78: 3 Row Tine & Reel - 25'

3 Row Tine & Reel - 25'

ITEM	PART NO.	DESCRIPTION	QTY.
--	231499	3 ROW TINE & REEL, 8530-25	
1	200255	REEL ASSY 12 DIA X 90" (SEE PAGE 1-145)	1
2	200256	REEL ASSY 12 DIA X 105" (SEE PAGE 1-145)	2
3	227670	ARM ASSY, TINE & REEL(SEE PAGE 1-123)	6
4	229712	HARROW ASSY, 6 TINE 3 ROW (SEE PAGE 1-125)	1
5	229713	HARROW ASSY, 7 TINE 3 ROW (SEE PAGE 1-125)	2

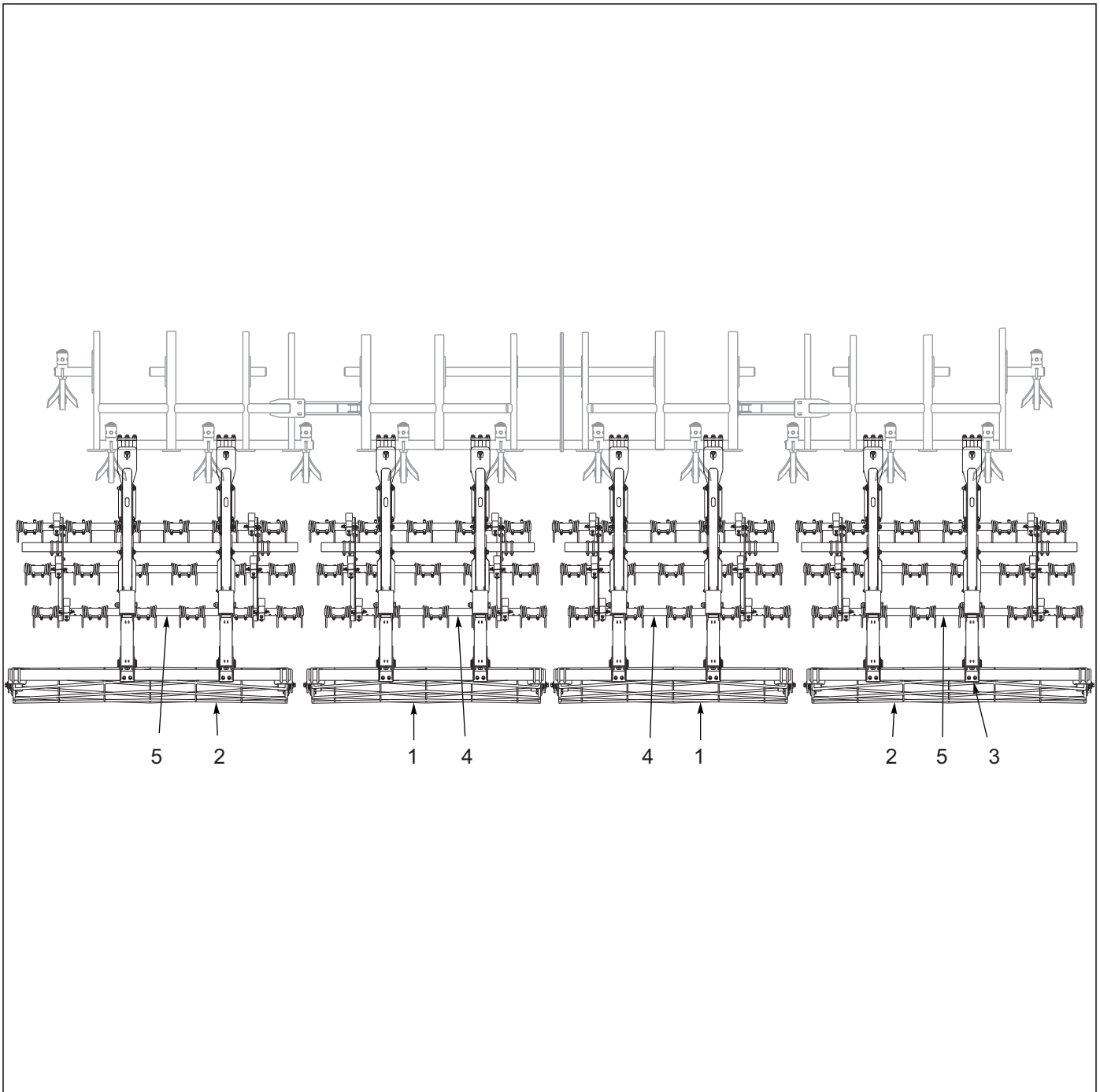


Figure 1-79: 3 Row Tine & Reel - 27'

3 Row Tine & Reel - 27'

ITEM	PART NO.	DESCRIPTION	QTY.
--	231500	3 ROW TINE & REEL, 8530-27	
1	200254	REEL ASSY 12 DIA(SEE PAGE 1-125) X 75" (SEE PAGE 1-145)	2
2	200255	REEL ASSY 12 DIA X 90" (SEE PAGE 1-145)	2
3	227670	ARM ASSY, TINE & REEL(SEE PAGE 1-123)	8
4	229711	HARROW ASSY, 5 TINE 3 ROW (SEE PAGE 1-125)	2
5	229712	HARROW ASSY, 6 TINE 3 ROW (SEE PAGE 1-125)	2

ILLUSTRATED PARTS LIST

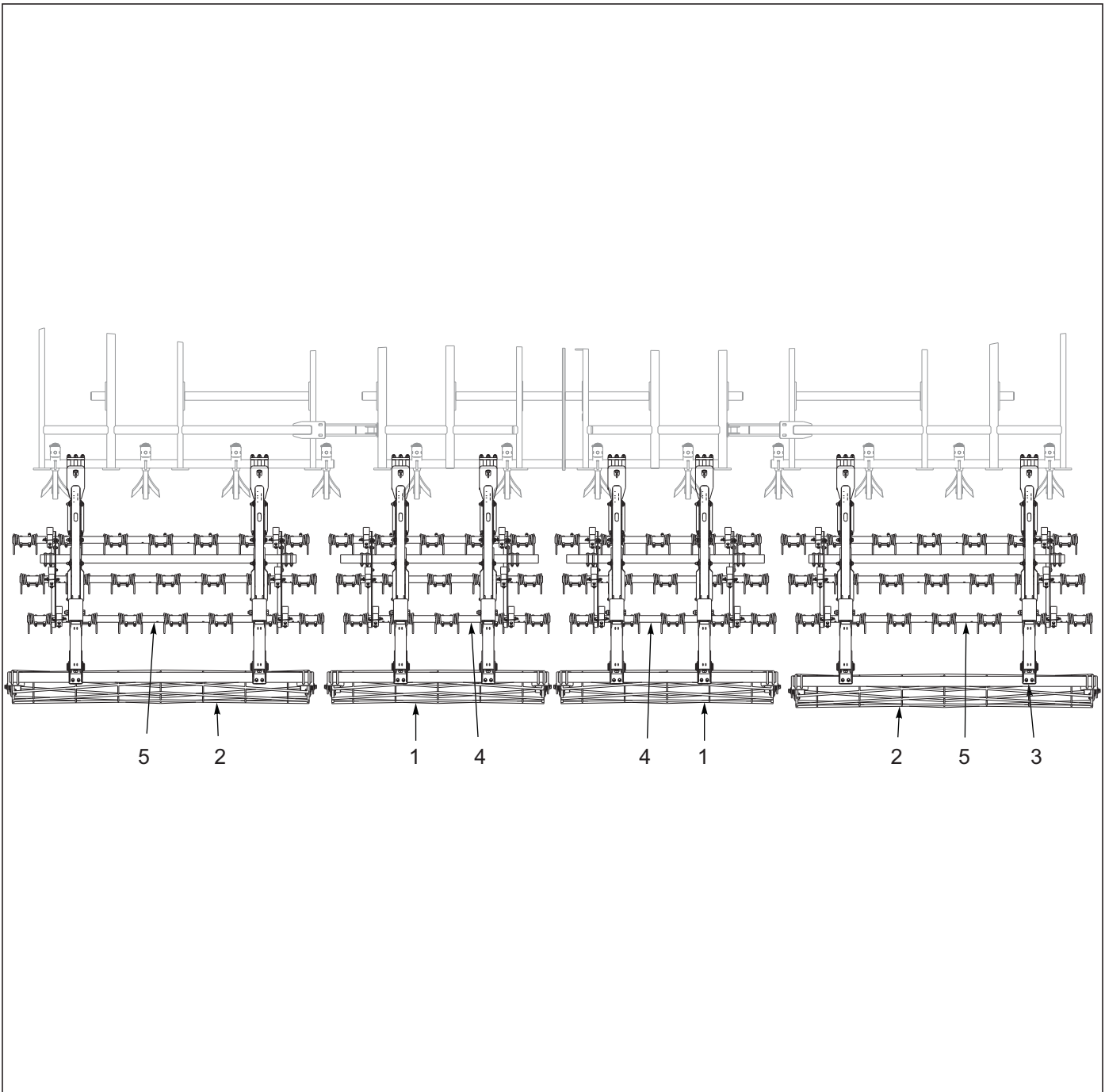


Figure 1-80: 3 Row Tine & Reel - 30'

3 Row Tine & Reel - 30'

ITEM	PART NO.	DESCRIPTION	QTY.
--	231501	3 ROW TINE & REEL, 8530-30	
1	200254	REEL ASSY 12 DIA X 75" (SEE PAGE 1-145)	2
2	200256	REEL ASSY 12 DIA X 105" (SEE PAGE 1-145)	2
3	227670	ARM ASSY, TINE & REEL(SEE PAGE 1-123)	8
4	229711	HARROW ASSY, 5 TINE 3 ROW (SEE PAGE 1-125)	2
5	229713	HARROW ASSY, 7 TINE 3 ROW (SEE PAGE 1-125)	2

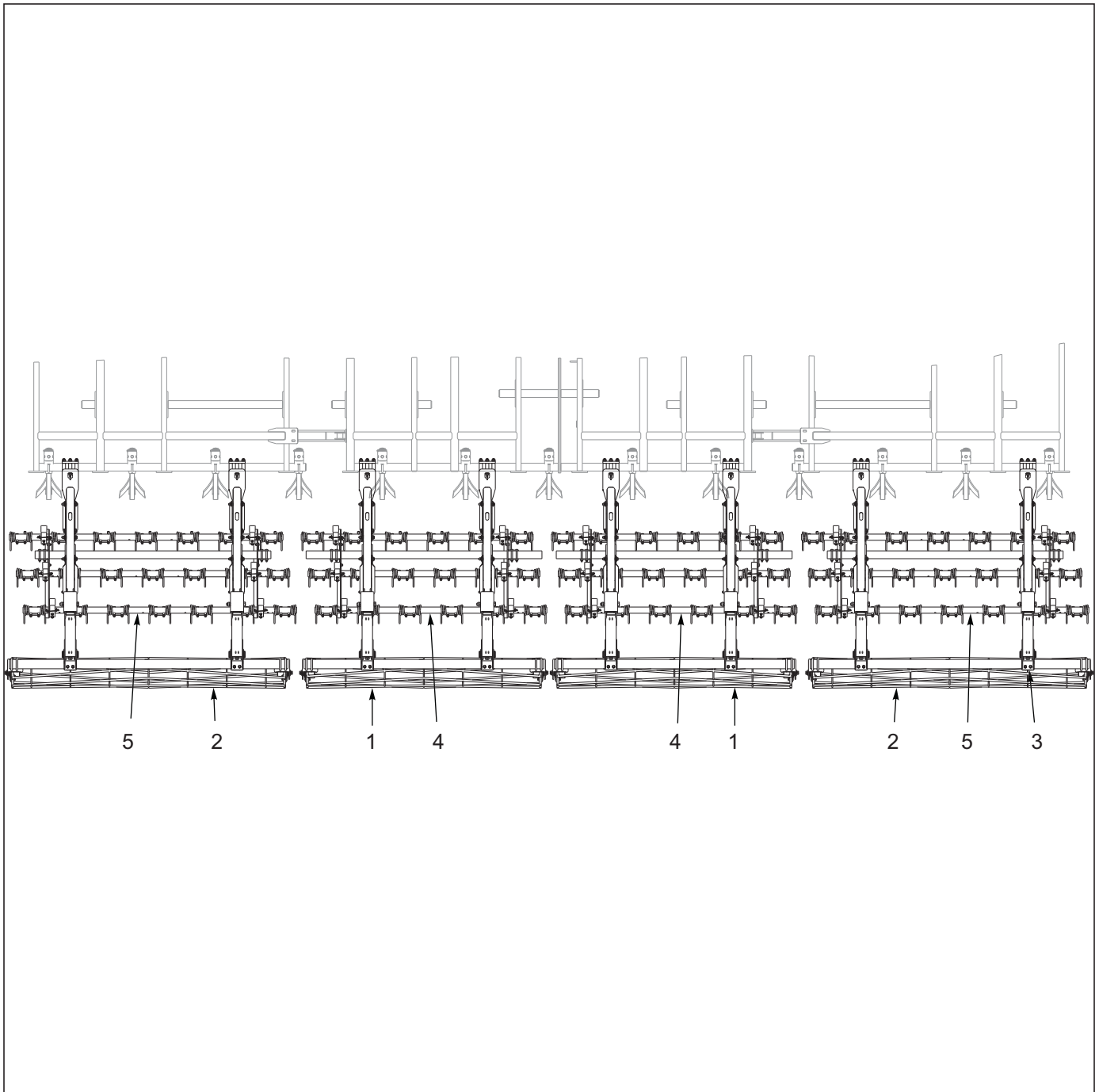


Figure 1-81: 3 Row Tine & Reel - 33'

3 Row Tine & Reel - 33'

ITEM	PART NO.	DESCRIPTION	QTY.
--	231502	3 ROW TINE & REEL, 8530-33	
1	200255	REEL ASSY 12 DIA X 90" (SEE PAGE 1-145)	2
2	200256	REEL ASSY 12 DIA X 105" (SEE PAGE 1-145)	2
3	227670	ARM ASSY, TINE & REEL(SEE PAGE 1-123)	8
4	229712	HARROW ASSY, 6 TINE 3 ROW (SEE PAGE 1-125)	2
5	229713	HARROW ASSY, 7 TINE 3 ROW (SEE PAGE 1-125)	2

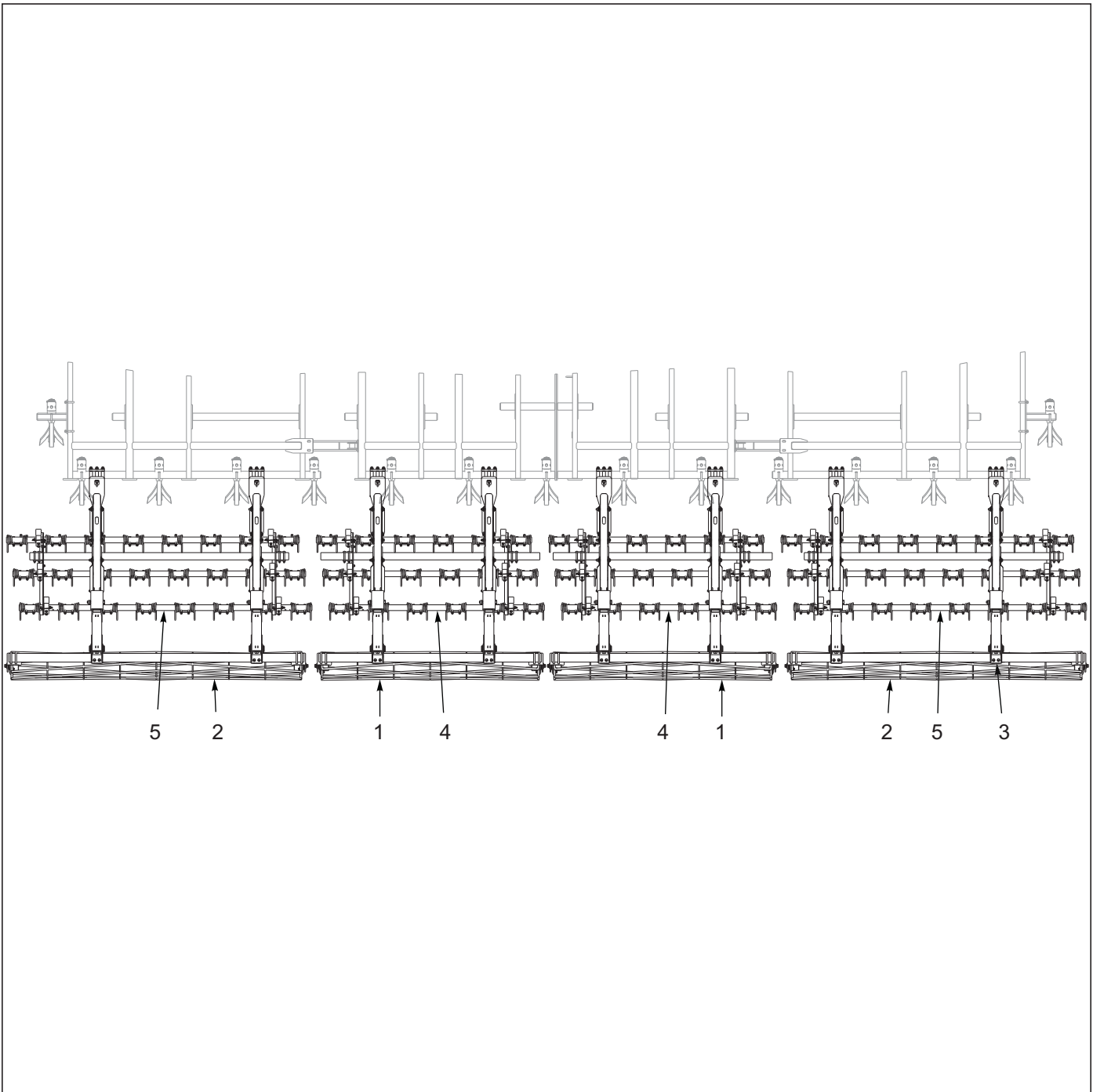


Figure 1-82: 3 Row Tine & Reel - 35'

3 Row Tine & Reel - 35'

ITEM	PART NO.	DESCRIPTION	QTY.
--	231503	3 ROW TINE & REEL, 8530-35	
1	200255	REEL ASSY 12 DIA X 90" (SEE PAGE 1-145)	2
2	200257	REEL ASSY 12 DIA X 120" (SEE PAGE 1-145)	2
3	227670	ARM ASSY, TINE & REEL(SEE PAGE 1-123)	8
4	229712	HARROW ASSY, 6 TINE 3 ROW (SEE PAGE 1-125)	2
5	229714	HARROW ASSY, 8 TINE 3 ROW (SEE PAGE 1-125)	2

ILLUSTRATED PARTS LIST

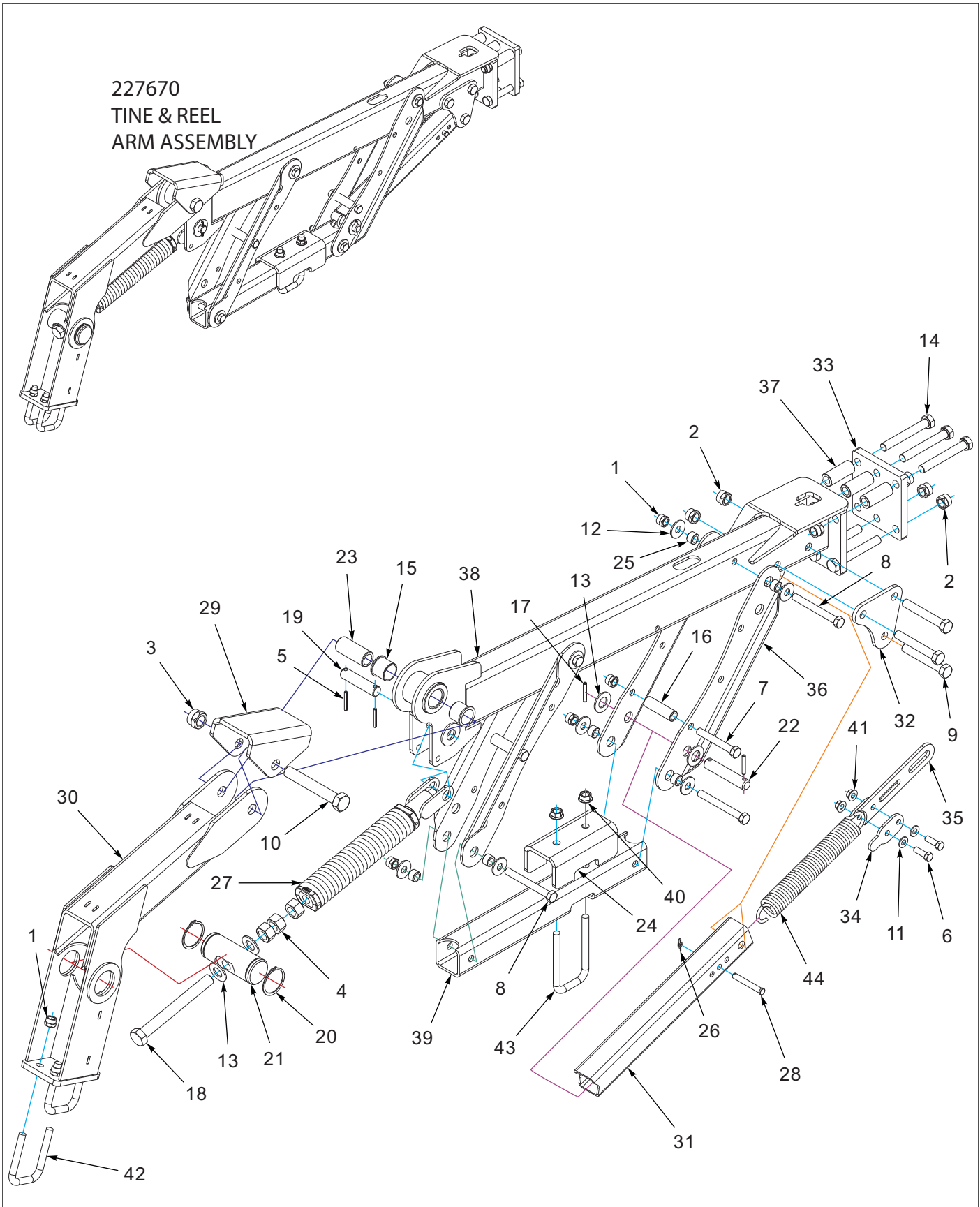


Figure 1-83: Tine & Reel Arm Assembly

Tine & Reel Arm Assembly

ITEM	PART NO.	DESCRIPTION	QTY.
--	227670	ARM ASSY, TINE & REEL	
1	1-512-010005-13	NUT,HEX SLFLKG GRB 5/8-11	10
2	1-512-010005-15	NUT,HEX,SLFLKG GRB 3/4-10	9
3	1-512-010005-19	NUT 1-8 HEX SLF-LOCKING GRB	1
4	1-512-010007-14	NUT, HEX 1-8 GR2 ZP	3
5	1-647-010004221	PIN,SPRING 1/4X2 SLOTTED	2
6	1-654-010055-03	SCREW,HEX CAP,1/2-13UNCX1-1/2	2
7	1-654-010059-14	SCREW HX CP,5/8-11UNCX4-1/2G5	2
8	1-654-010059-16	SCREW,HEX CAP,5/8-11UNCX5.50	4
9	1-654-010061-15	SCREW,HX CP 3/4-10UNCX5 GR5	3
10	1-654-010125-18	SCREW HEX CAP,1-8UNCX6-1/2GR8	1
11	1-861-010032-14	WASHER, FLAT 1/2" N ZP/CD	2
12	1-861-010032-19	WASHER, FLAT 5/8 W ZP/CD	8
13	1-861-010032-24	WASHER FL 1IN NARROW ZP	4
14	139201	SCREW,HX CP 3/4-10UNCX5.50GR8	6
15	140599	BEARING, FLANGE 1-1/2"	2
16	144325	BUSHING,PRESS WHEEL	2
17	147072	PIN, SPRING SLOTTED 5/16 X 2	2
18	152210	BOLT, ADJ, 1 X 9	1
19	156785	PIN 1 X 4-1/4	1
20	158896	SNAP RING, 2-1/2 SHAFT	2
21	158897	PIN, ADJUSTMENT	1
22	164293	PIN, 1 X 5-1/8	1
23	168739	BUSHING PIVOT 1-1/2 X 3-7/16	1
24	168753	CONNECTOR, HARROW LINK	1
25	168762	BUSHING, 1 X .640 X 5/8	8
26	172673	WRAP AROUND LOCKING COTTER	1
27	172677	SPRING ASSY, W/ANCHOR	1
28	176625	PIN, CLEVIS 1/2 X 3-1/2	1
29	191459	STOP, HARROW ARM	1
30	199359	ARM WLDMT REEL	1
31	199376	TUBE, HARROW SPRING	1
32	199390	BRACKET, SPRING HOOK	2
33	208187	MOUNTING PLATE, HARROW 6-BOLT	1
34	209797	CLAMP, SPRING	2
35	209798	STOP, HARROW SPRING	1
36	209799	MOUNT, HARROW BAR	2
37	211056	BUSHING, CLAMP 3" L	3
38	227666	ARM, HARROW 6-BOLT WLDMT	1
39	227671	MOUNT, TINE BAR	1
40	29SFFL 5811	NUT,FLANGE HEAD LOCK5/8-11UNC	2
41	4K552	SELF-LOCKING FLANGE NUT 1/2-13	2
42	8-102-010012	U BOLT	2
43	8-102-010043	U-BOLT, SPRING CLAMP	1
44	8-720-010011	HARROW SPRING	1

ILLUSTRATED PARTS LIST

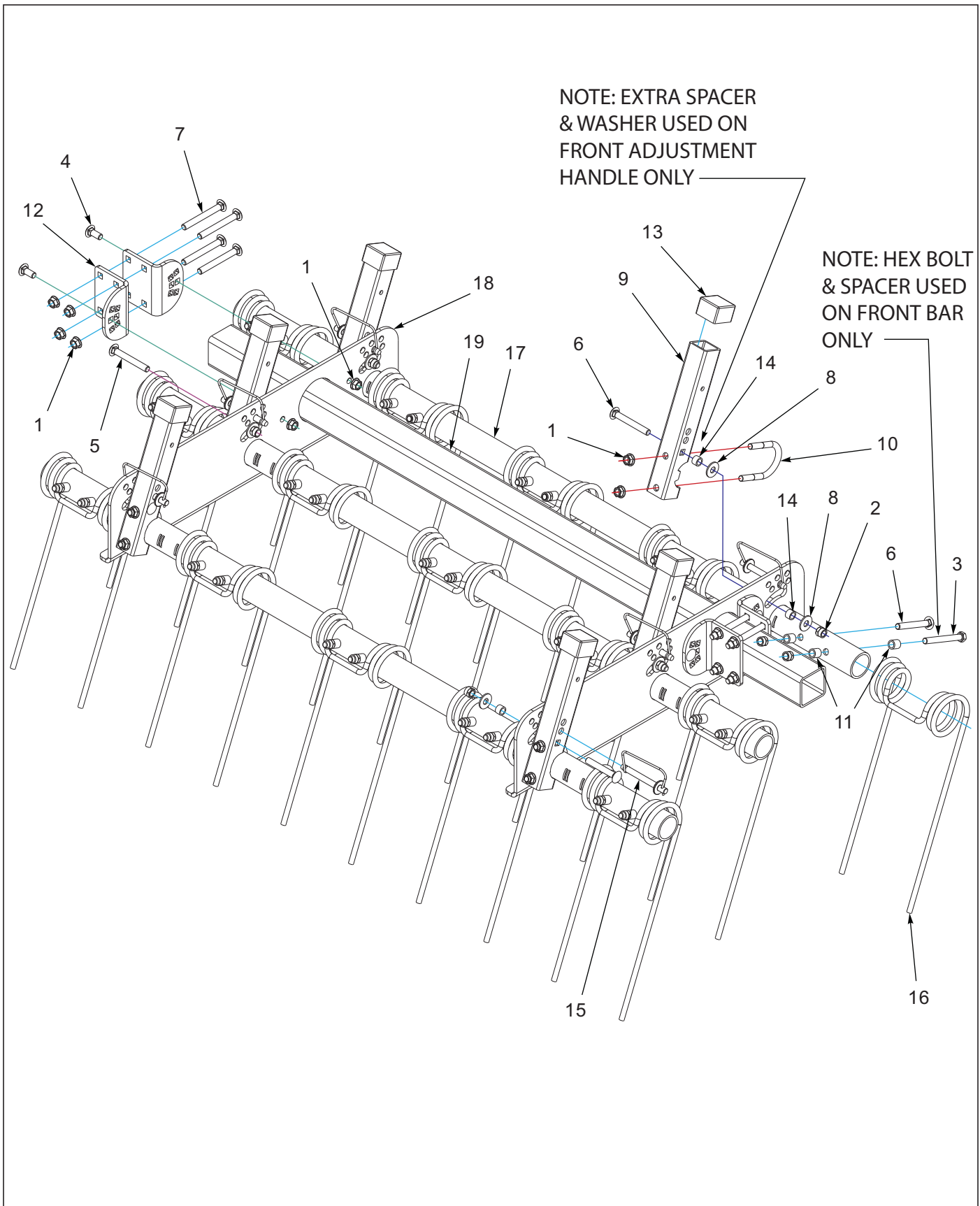


Figure 1-84: 3 Row Coil Tine Harrow Assembly

3 Row Coil Tine Harrow Assembly

ITEM	PART NO.	DESCRIPTION	QTY.			
--	229711	HARROW ASSY, 5 TINE 3 ROW	*			
--	229712	HARROW ASSY, 6 TINE 3 ROW	*			
--	229713	HARROW ASSY, 7 TINE 3 ROW	*			
--	229714	HARROW ASSY, 8 TINE 3 ROW	*			
1	1-510-010003-09	NUT,1/2-13 FLANGE HD,SERRATED	24	24	24	24
2	1-512-010005-09	NUT,HEX,SLFLKG, 1/2-13 GRB	36	42	48	54
3	1-654-010055-14	SCREW,HX CP,1/2-13UNCX4-1/2G5	6	6	6	8
4	1-654-010070-02	SCREW 1/2-13X1-1/4 RD HD SQNK	4	4	4	4
5	1-654-010070-11	SCREW,RDHD,SQNK 1/2-13X3-1/2	4	4	4	4
6	1-654-010070-13	SCREW,RH HD, SQ NCK 1/2-13X4	27	32	37	42
7	1-654-010070-14	SCREW 1/2-13X4-1/2RDHD SQNK	8	8	8	8
8	1-861-010032-15	WASHER, FLAT 1/2 W ZP/CD	8	8	8	8
9	154994	TUBE ANGLE ADJUST	6	6	6	6
10	154995	U-BOLT, 1/2	6	6	6	6
11	154997	TUBE 0.75ODX0.532IDX0.75 ZP	35	42	49	56
12	154998	PLATE ANGLE ADJUSTMENT	4	4	4	4
13	155927	CAP, TUBE 1.95X1.5 BLACK	6	6	6	6
14	155956	BUSHING ANGLE ADJUSTMENT	8	8	8	8
15	155971	PIN, HARROW ADJ	6	6	6	6
16	164315	TINE, HARROW 7/16 X 18	15	18	21	24
17	164318	GANG BAR 5 TINE 8IN 73"	3	--	--	--
17	164319	GANG BAR 6 TINE 8 IN 89"	--	3	--	--
17	164320	GANG BAR 7 TINE 8IN 105"	--	--	3	--
17	164321	GANG BAR 8 TINE 8 IN 121"	--	--	--	3
18	166336	PLATE, GANG BAR 3 ROW	2	2	2	2
19	170870	TUBE, SQ 3 X 3/16 X 70	1	--	--	--
19	156778	TUBE RIDE BAR 90.5"	--	1	1	--
19	155005	TUBE SQ 3 X 3/16X107	--	--	--	1

5 Row Spike Harrows

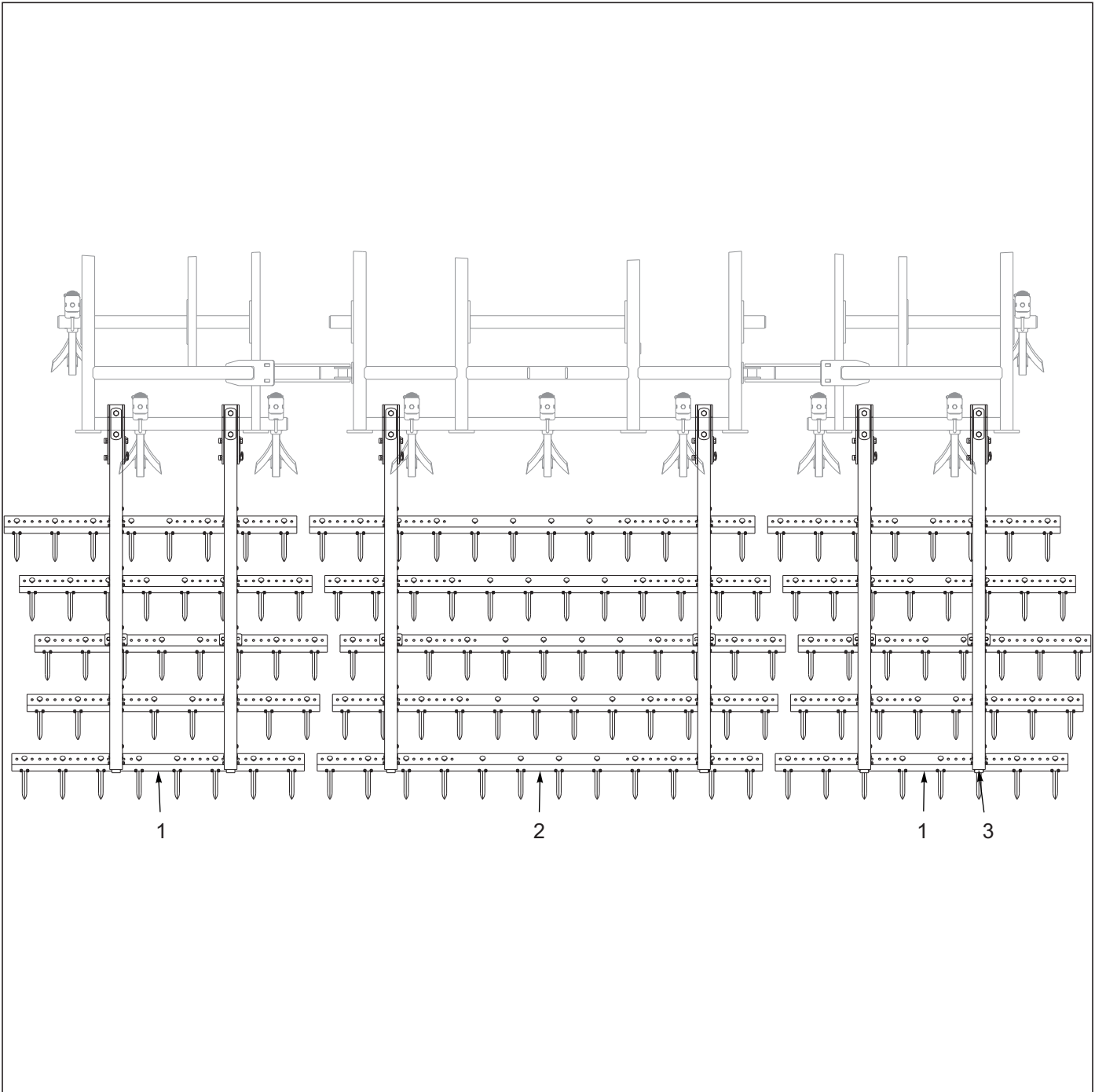


Figure 1-85: 5 Row Spike Harrow- 19'

5 Row Spike Harrow - 19'

ITEM	PART NO.	DESCRIPTION	QTY.
--	186217	5 ROW SPIKE HARROW, 8530-19'	
1	186187	SPIKE BAR ASSY, 8 TOOTH, 9SP (SEE PAGE 1-157)	10
2	186191	SPIKE BAR ASSY, 12 TOOTH, 9SP (SEE PAGE 1-157)	5
3	186195	ARM ASSY, SPIKE HARROW, 5R (SEE PAGE 1-135)	6

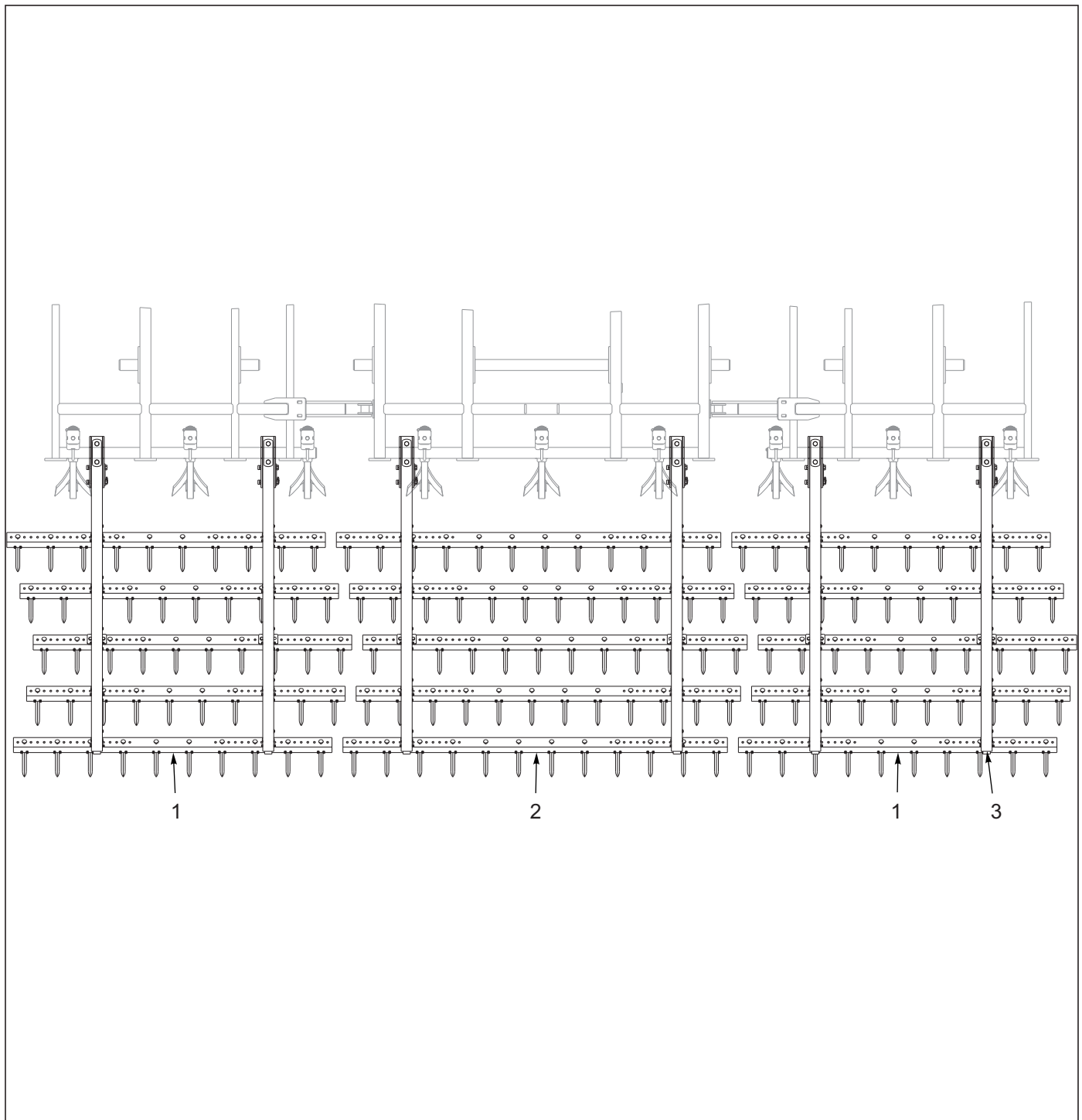


Figure 1-86: 5 Row Spike Harrow- 22'

5 Row Spike Harrow - 22'

ITEM	PART NO.	DESCRIPTION	QTY.
--	186226	5 ROW SPIKE HARROW, 8530-22'	
1	186189	SPIKE BAR ASSY, 10 TOOTH, 10SP (SEE PAGE 1-157)	10
2	186191	SPIKE BAR ASSY, 12 TOOTH, 9SP (SEE PAGE 1-157)	5
3	186195	ARM ASSY, SPIKE HARROW, 5R (SEE PAGE 1-135)	6

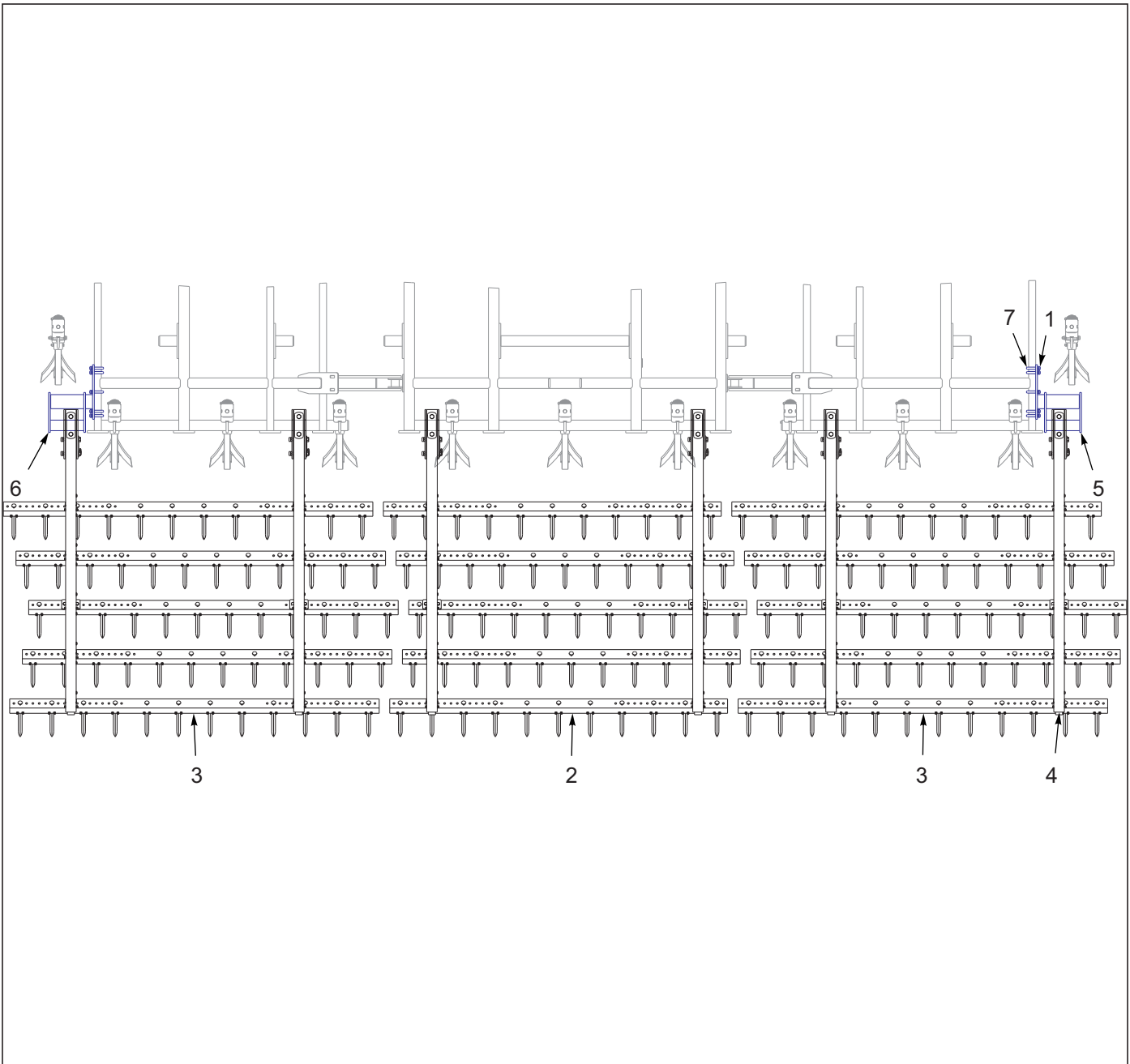


Figure 1-87: 5 Row Spike - 25'

5 Row Spike Harrow - 25'

ITEM	PART NO.	DESCRIPTION	QTY.
--	185670	5 ROW SPIKE HARROW, 8530-25'	
1	1-512-010005-13	NUT, HEX, SLFLKG, 5/8-11 UNC, GRB	20
2	186190	SPIKE BAR ASSY, 11 TOOTH, 9SP (SEE PAGE 1-157)	5
3	186191	SPIKE BAR ASSY, 12 TOOTH, 9SP (SEE PAGE 1-157)	10
4	186195	ARM ASSY, SPIKE HARROW, 5R (SEE PAGE 1-135)	6
5	187545	EXTENSION, HARROW MOUNT RT	1
6	187546	EXTENSION, HARROW MOUNT LT	1
7	2-102-010068	U-BOLT, 5/8-11 X 6-11/16 X 3-1/4	10

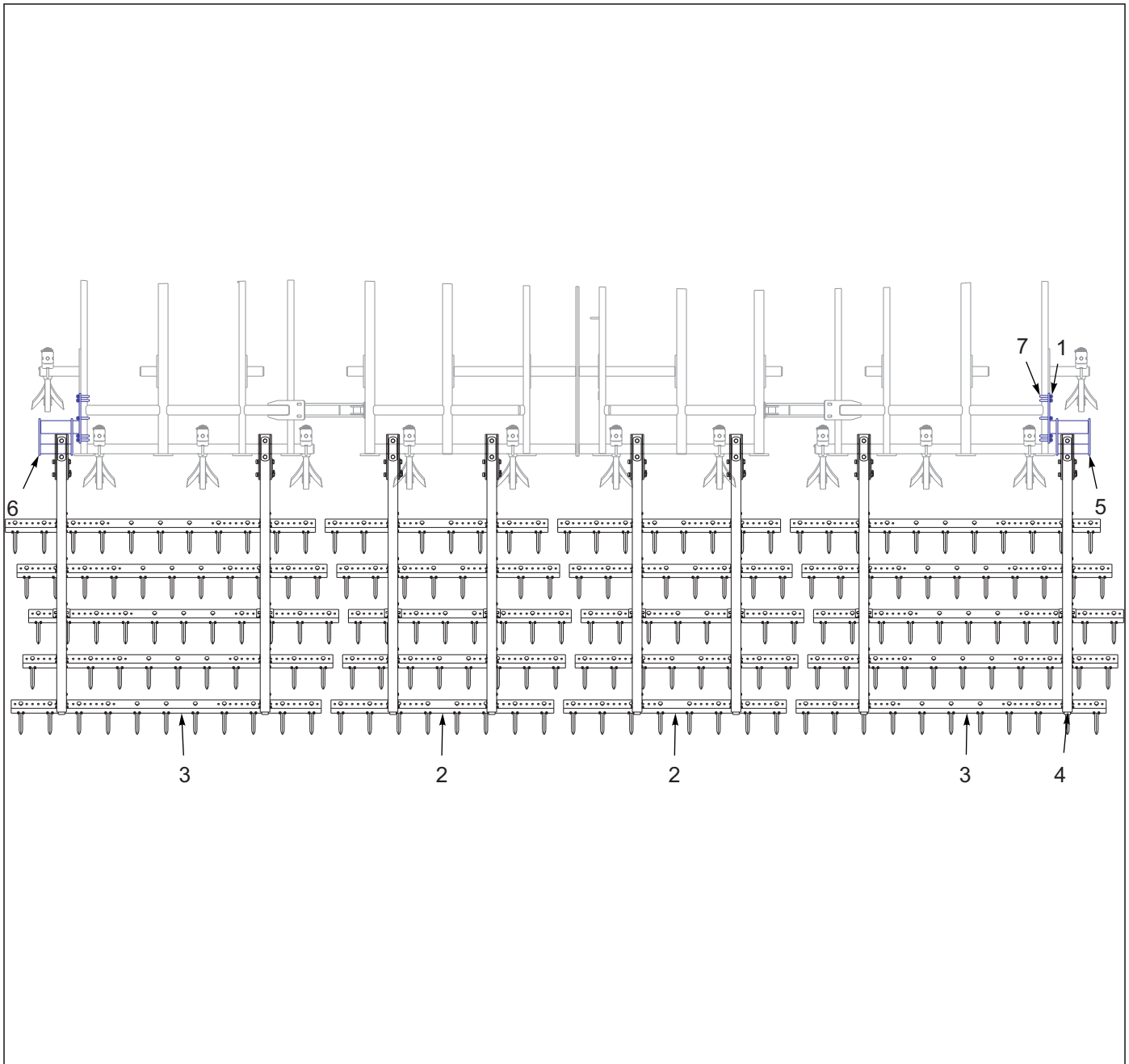


Figure 1-88: 5 Row Spike - 27'

5 Row Spike Harrow - 27'

ITEM	PART NO.	DESCRIPTION	QTY.
--	186254	5 ROW SPIKE HARROW, 8530-27'	
1	1-512-010005-13	NUT, HEX, SLFLKG, 5/8-11 UNC, GRB	20
2	186187	SPIKE BAR ASSY, 8 TOOTH, 9SP (SEE PAGE 1-157)	10
3	186190	SPIKE BAR ASSY, 11 TOOTH, 9SP(SEE PAGE 1-157)	10
4	186195	ARM ASSY, SPIKE HARROW, 5R (SEE PAGE 1-135)	8
5	187545	EXTENSION, HARROW MOUNT RT	1
6	187546	EXTENSION, HARROW MOUNT LT	1
7	2-102-010068	U-BOLT, 5/8-11 X 6-11/16 X 3-1/4	10

ILLUSTRATED PARTS LIST

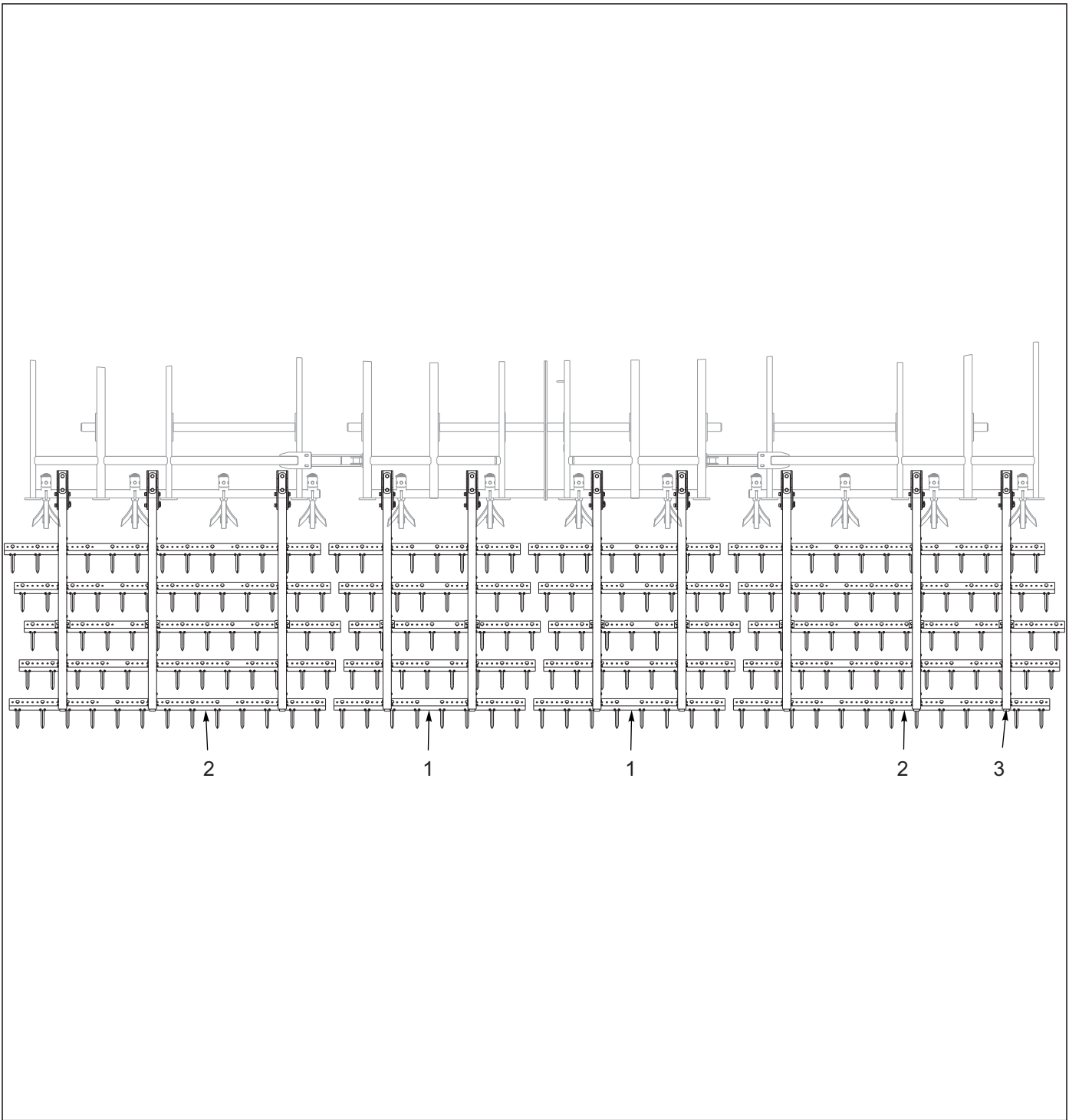


Figure 1-89: 5 Row Spike - 30'

5 Row Spike Harrow - 30'

ITEM	PART NO.	DESCRIPTION	QTY.
--	186265	5 ROW SPIKE HARROW, 8530-30'	
1	186187	SPIKE BAR ASSY, 8 TOOTH, 9SP (SEE PAGE 1-157)	10
2	186192	SPIKE BAR ASSY, 13 TOOTH, 9SP (SEE PAGE 1-157)	10
3	186195	ARM ASSY, SPIKE HARROW, 5R (SEE PAGE 1-135)	10

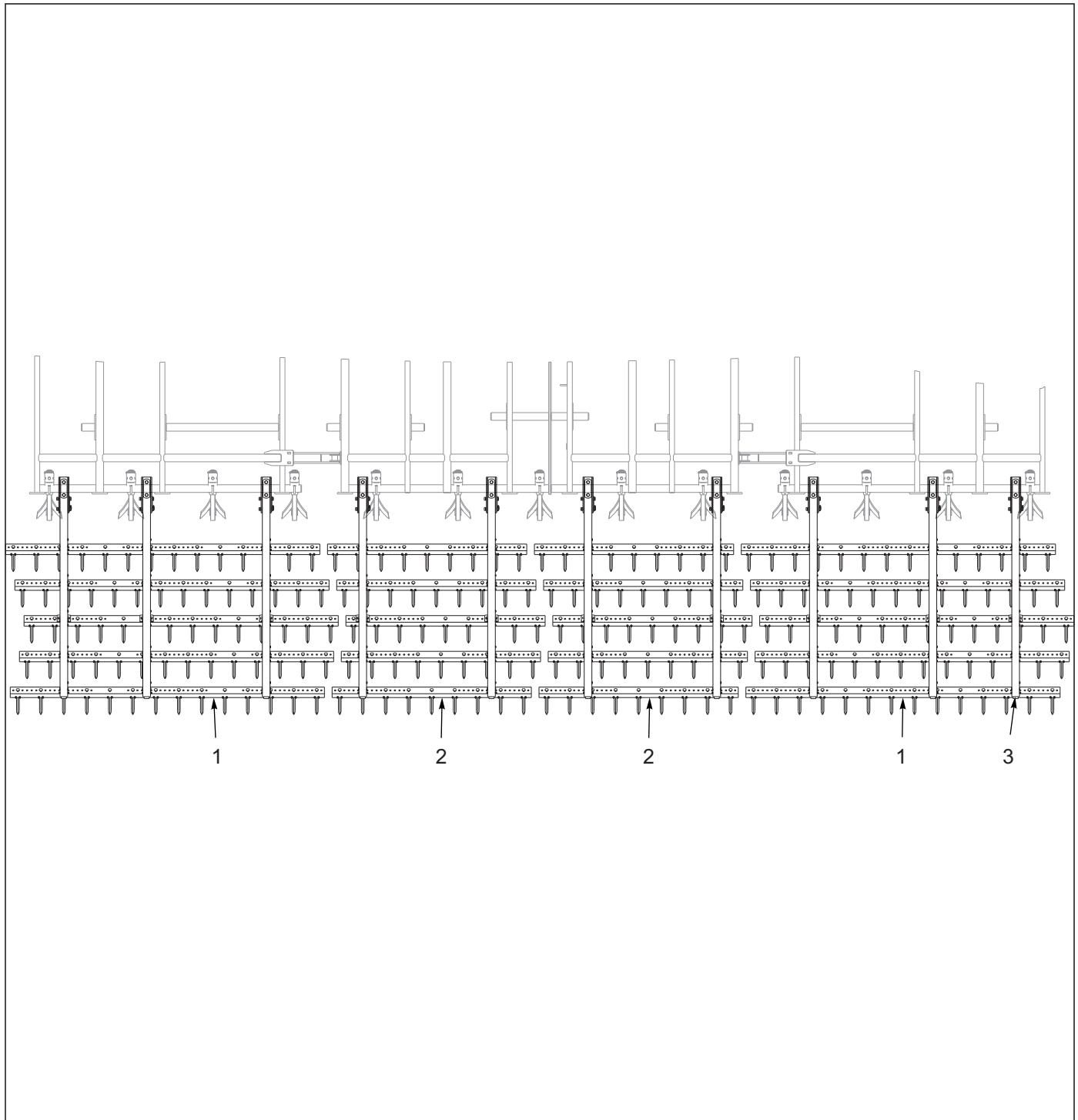


Figure 1-90: 5 Row Spike - 33'

5 Row Spike Harrow - 33'

ITEM	PART NO.	DESCRIPTION	QTY.
--	187547	5 ROW SPIKE HARROW, 8530-33'	
1	186170	SPIKE BAR ASSY, 14 TOOTH, 9SP (SEE PAGE 1-157)	10
2	186188	SPIKE BAR ASSY, 9 TOOTH, 9SP (SEE PAGE 1-157)	10
3	186195	ARM ASSY, SPIKE HARROW, 5R (SEE PAGE 1-135)	10

ILLUSTRATED PARTS LIST

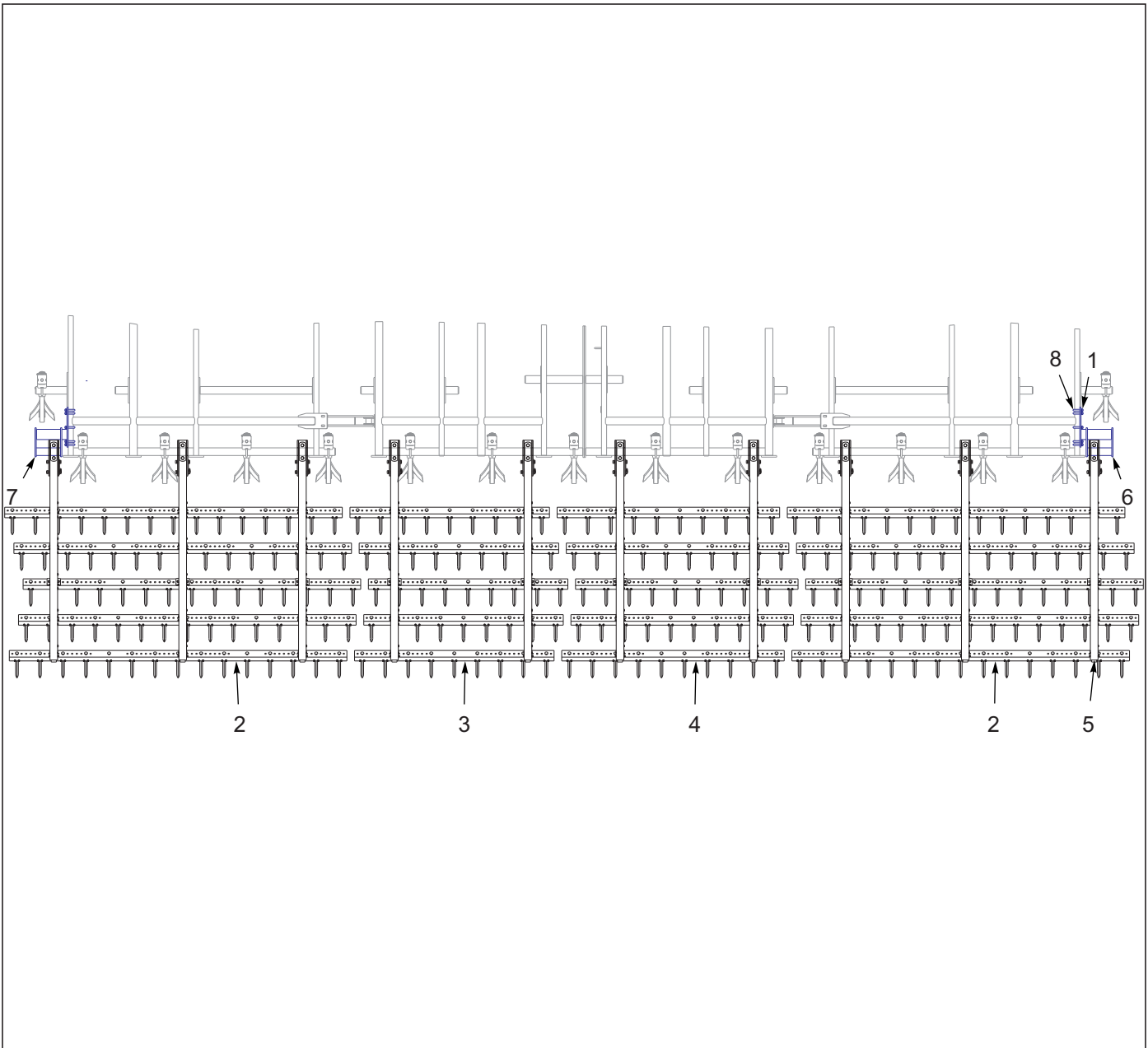


Figure 1-91: 5 Row Spike - 35'

5 Row Spike Harrow - 35'

ITEM	PART NO.	DESCRIPTION	QTY.
--	182426	5 ROW SPIKE HARROW, 8530-35'	
1	1-512-010005-13	NUT, HEX, SLFLKG, 5/8-11 UNC, GRB	20
2	186174	SPIKE BAR ASSY, 15 TOOTH, 9SP (SEE PAGE 1-157)	10
3	186188	SPIKE BAR ASSY, 9 TOOTH, 9SP (SEE PAGE 1-157)	5
4	186189	SPIKE BAR ASSY, 10 TOOTH, 10SP (SEE PAGE 1-157)	5
5	186195	ARM ASSY, SPIKE HARROW, 5R (SEE PAGE 1-135)	10
6	187545	EXTENSION, HARROW MOUNT RT	1
7	187546	EXTENSION, HARROW MOUNT LT	1
8	2-102-010068	U-BOLT, 5/8-11 X 6-11/16 X 3-1/4	10

ILLUSTRATED PARTS LIST

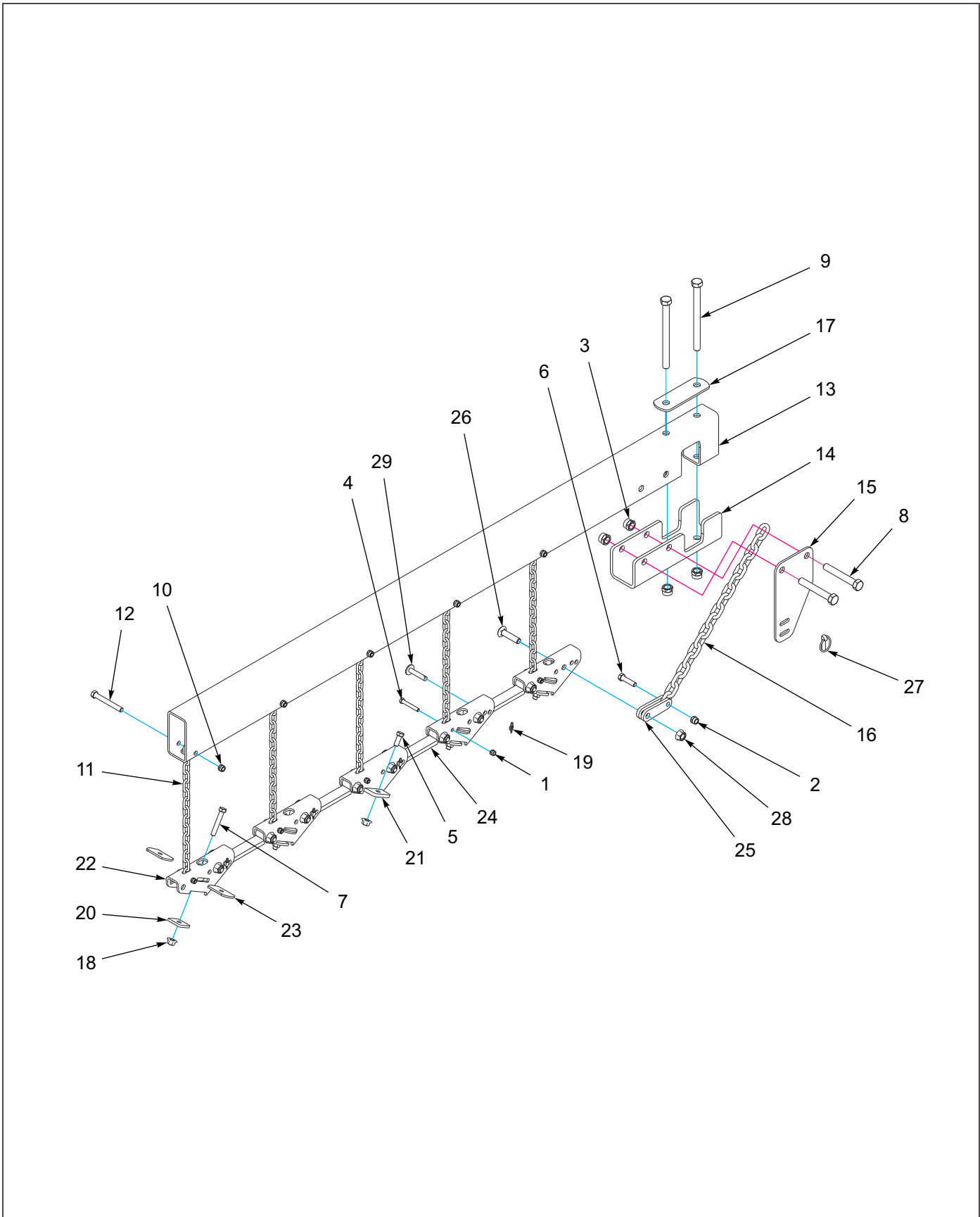


Figure 1-92: Arm Assembly - 5 Row Spike Harrow

Arm Assembly - 5 Row Spike Harrow

ITEM	PART NO.	DESCRIPTION	QTY.
--	186195	ARM ASSEMBLY, SPIKE HARROW 5 ROW	
1	1-512-010005-05	NUT, HEX, SLFLKG, 3/8-16 GRB	5
2	1-512-010005-09	NUT, HEX, SLFLKG, 1/2-13 GRB	1
3	1-512-010005-15	NUT, HEX, SLFLKG, 3/4-10 GRB	4
4	1-654-010051-11	SCREW, HEX CP, 3/8-16 X 2-1/2 G5ZP	5
5	1-654-010055-02	SCREW, 1/2-13 UNC X 1-1/4, CP GR5	2
6	1-654-010055-05	SCREW, HEX CAP, 1/2-13, UNC X 2 GR5	1
7	1-654-010055-09	SCREW, HEX CAP, 1/2-13, UNC X 3 GR5	4
8	1-654-010061-15	SCREW, HEX CAP, 3/4-10, UNC X 5 GR5	2
9	1-654-010061-23	SCREW, HEX, 3/4-10, UNC X 9 GR5	2
10	101988	NUT,HEX, SLF-LKG, 7/16-14 GRB	5
11	133937	CHAIN, LIFTING HARROW, WP	5
12	141808	SCREW, HEX CAP, 7/16-14 UNC X 3-1/2 G5	5
13	166175	ARM SPIKE HARROW, 5 ROW	1
14	166176	CLAMP, SPIKE HARROW ARM	1
15	166177	BRACKET, PULL CHAIN	1
16	166242	CHAIN, PULL, 3/8	1
17	168897	CLAMP PLATE, HARROW ARM	1
18	172509	NUT,1/2-13 WIDE FLNG TOP LCK F	6
19	172673	WRAP AROUND LOCKING COTTER	4
20	186193	CLAMP PLATE, SPIKE BAR	4
21	186200	MOUNT, HARROW BAR W/TABS	1
22	186204	MOUNT, HARROW BAR	4
23	186205	PLATE, BAR CLAMP	8
24	186207	LINK, HARROW BAR	4
25	186210	CONNECTOR, PULL CHAIN	2
26	187517	SCREW, RDHD SHT SQNK, 5/8-11 X 2.75	9
27	2-557-010009	PIN, LYNCH	1
28	29SFFL 5811	NUT, HEX, SLFLKG, GRB 3/8-16	9
29	8C520	CLEVIS PIN	4

3 Row Spike & Reels

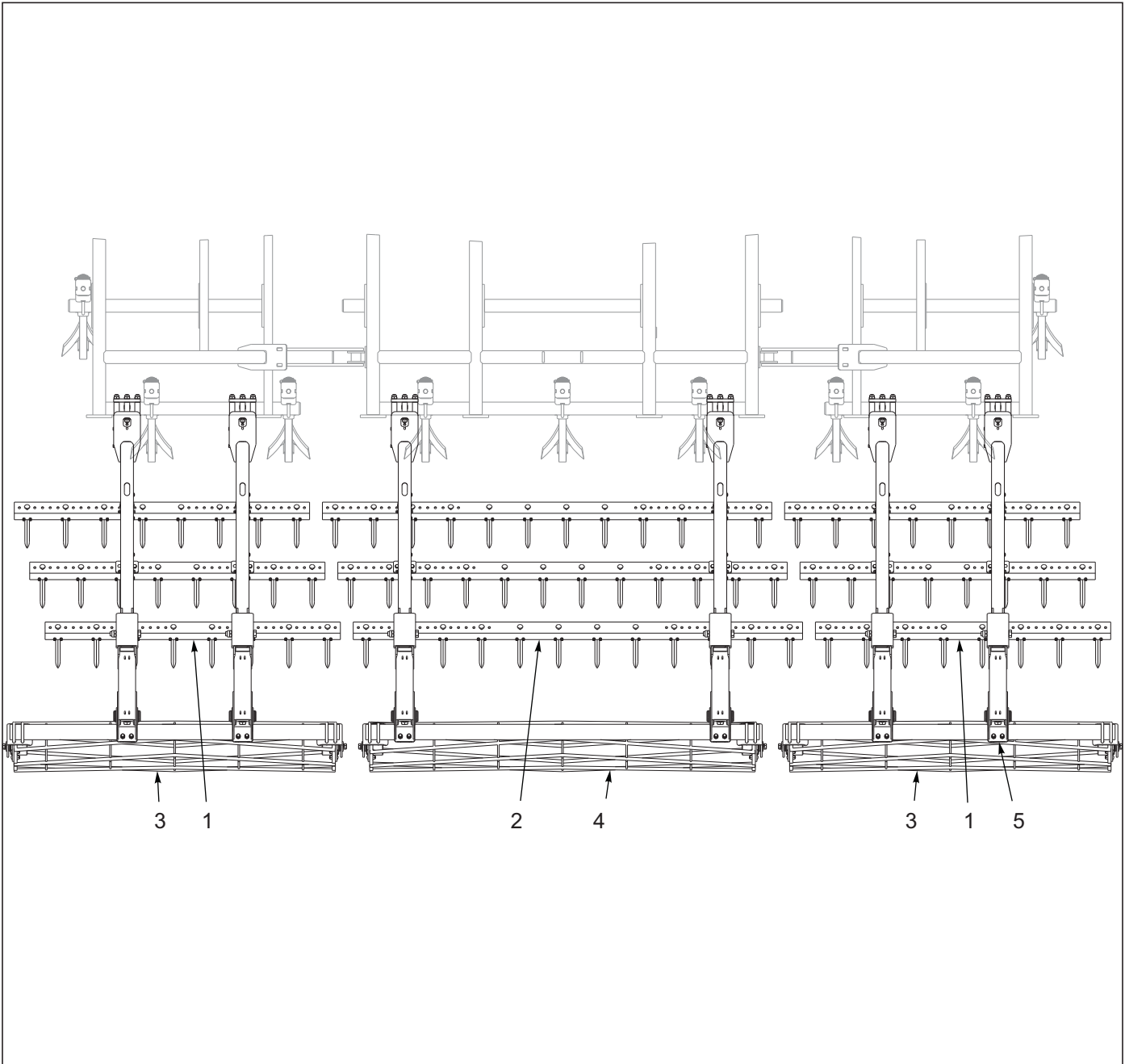


Figure 1-93: 3 Row Spike & Reel - 19'

3 Row Spike & Reel - 19'

ITEM	PART NO.	DESCRIPTION	QTY.
--	231507	3 ROW SPIKE & REEL, 8530-19	
1	186187	SPIKE BAR ASSY, 8 TOOTH 9 SP (SEE PAGE 1-157)	6
2	186191	SPIKE BAR ASSY, 12 TOOTH 9 SP (SEE PAGE 1-157)	3
3	200254	REEL ASSY 12 DIA X 75" (SEE PAGE 1-145)	2
4	200255	REEL ASSY 12 DIA X 90" (SEE PAGE 1-145)	1
5	229718	ARM ASSY, 3 RSD (SEE PAGE 1-159)	6

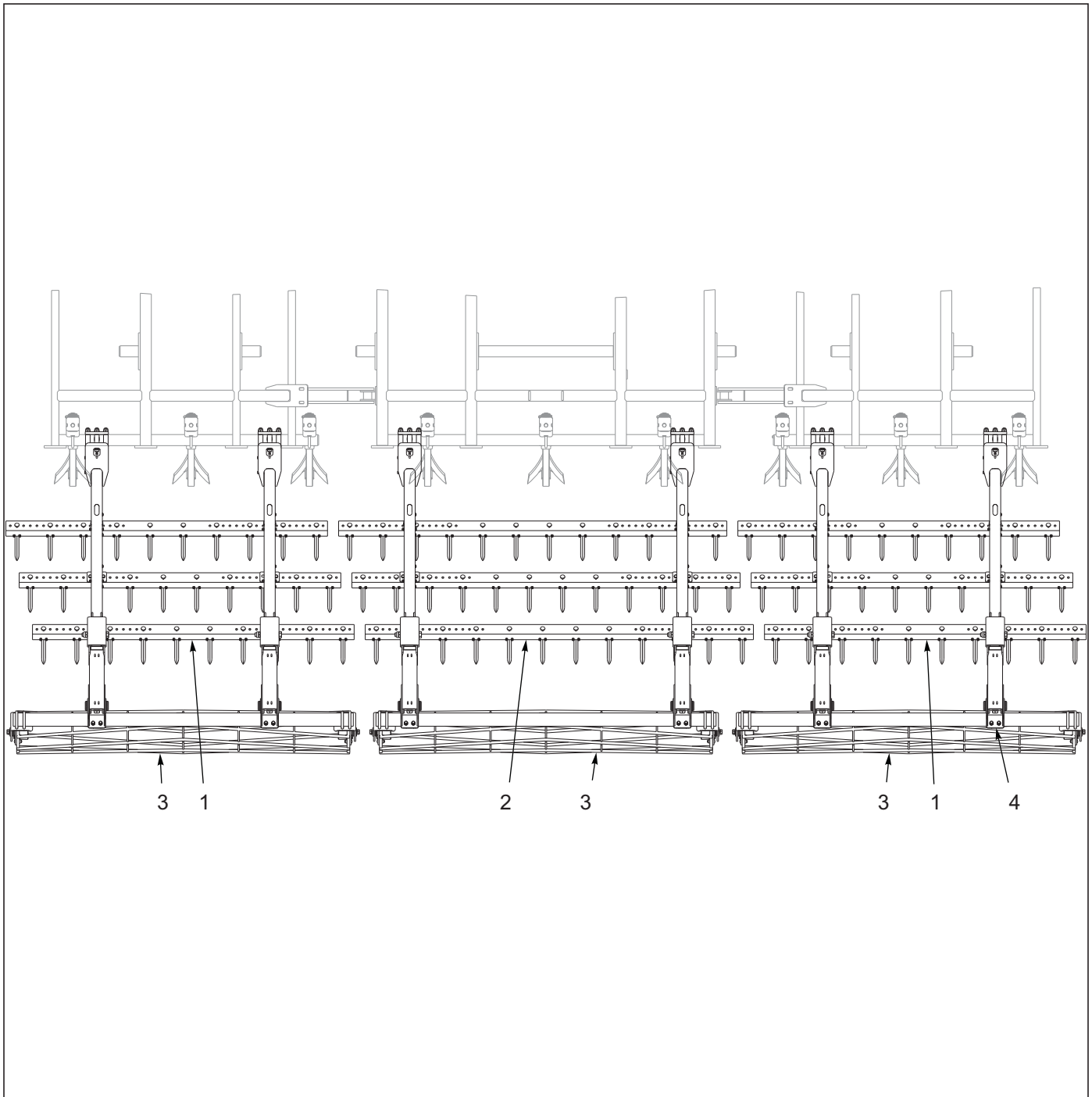


Figure 1-94: 3 Row Spike & Reel - 22'

3 Row Spike & Reel - 22'

ITEM	PART NO.	DESCRIPTION	QTY.
--	231508	3 ROW SPIKE & REEL, 8530-22	
1	186189	SPIKE BAR ASSY, 10 TOOTH 9 SP (SEE PAGE 1-157)	6
2	186191	SPIKE BAR ASSY, 12 TOOTH 9 SP (SEE PAGE 1-157)	3
3	200255	REEL ASSY 12 DIA X 90" (SEE PAGE 1-145)	3
4	229718	ARM ASSY, 3 RSD (SEE PAGE 1-159)	6

ILLUSTRATED PARTS LIST

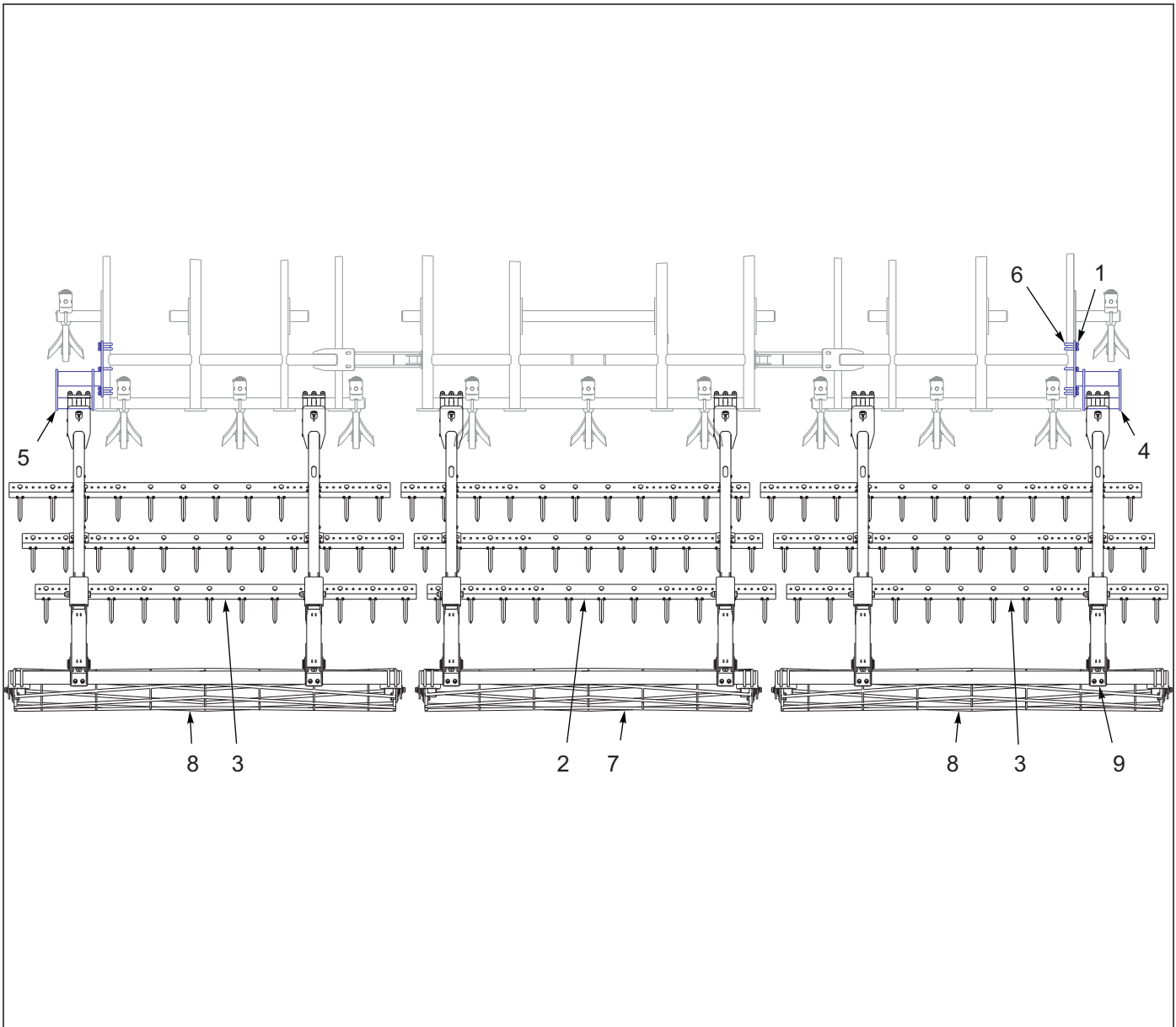


Figure 1-95: 3 Row Spike & Reel - 25'

3 Row Spike & Reel - 25'

ITEM	PART NO.	DESCRIPTION	QTY.
--	231509	3 ROW SPIKE & REEL, 8530-25	
1	1-512-010005-13	NUT, HEX, SLFLKG, 5/8-11 UNC, GRB	20
2	186190	SPIKE BAR ASSY, 11 TOOTH 9 SP (SEE PAGE 1-157)	3
3	186191	SPIKE BAR ASSY, 12 TOOTH 9 SP (SEE PAGE 1-157)	6
4	187545	EXTENSION, HARROW MOUNT RT	1
5	187546	EXTENSION, HARROW MOUNT LT	1
6	2-102-010068	U-BOLT, 5/8-11 X 6-11/16 X 3-1/4	10
7	200255	REEL ASSY 12 DIA X 90" (SEE PAGE 1-145)	1
8	200256	REEL ASSY 12 DIA X 105" (SEE PAGE 1-145)	2
9	229718	ARM ASSY, 3 RSD (SEE PAGE 1-159)	6

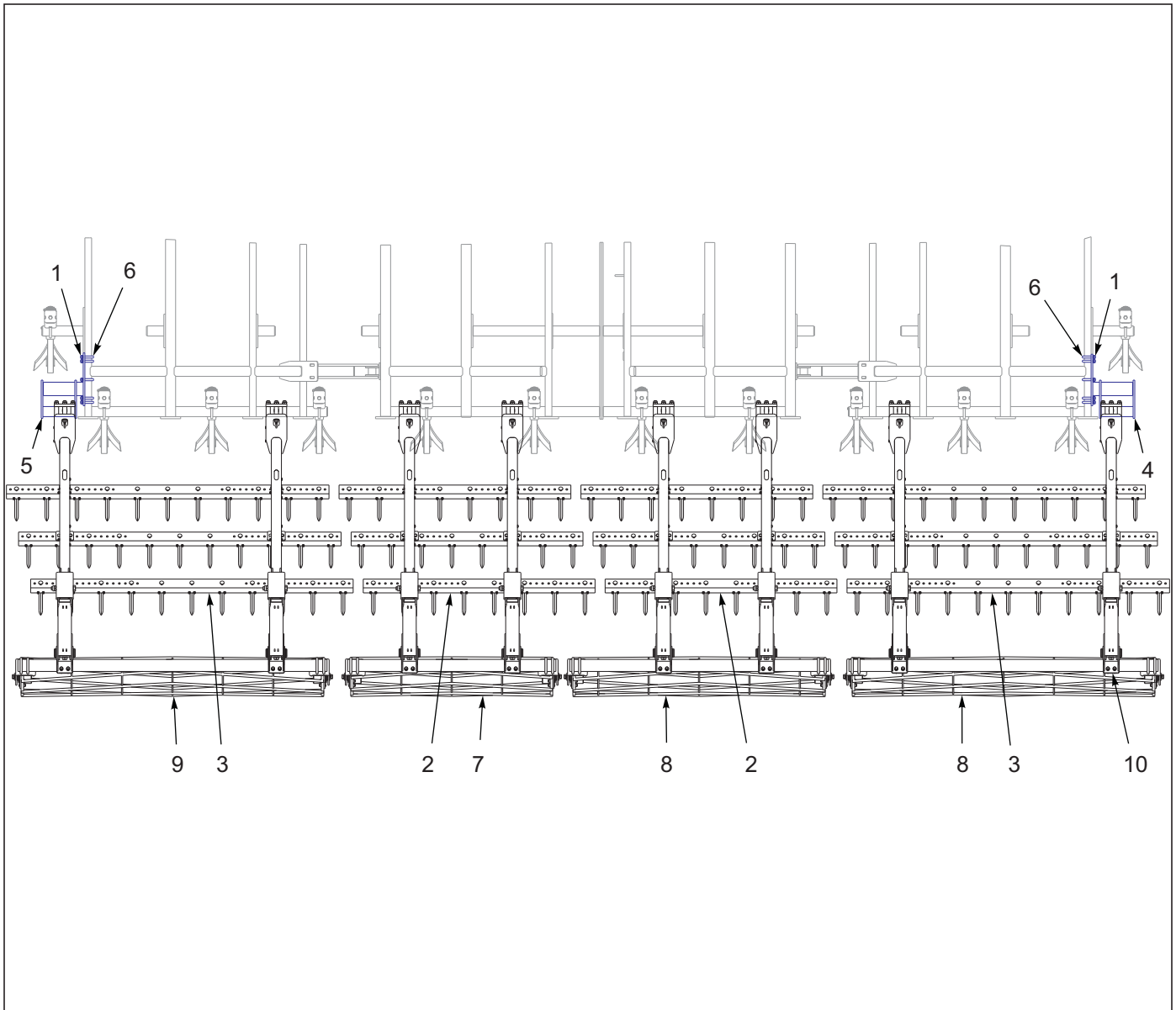


Figure 1-96: 3 Row Spike & Reel - 27'

3 Row Spike & Reel - 27'

ITEM	PART NO.	DESCRIPTION	QTY.
--	231510	3 ROW SPIKE & REEL, 8530-27	
1	1-512-010005-13	NUT, HEX, SLFLKG, 5/8-11 UNC, GRB	20
2	186187	SPIKE BAR ASSY, 8 TOOTH 9 SP (SEE PAGE 1-157)	6
3	186190	SPIKE BAR ASSY, 11 TOOTH 9 SP (SEE PAGE 1-157)	3
4	187545	EXTENSION, HARROW MOUNT RT	1
5	187546	EXTENSION, HARROW MOUNT LT	1
6	2-102-010068	U-BOLT, 5/8-11 X 6-11/16 X 3-1/4	10
7	200253	REEL ASSY 12 DIA X 60" (SEE PAGE 1-145)	1
8	200254	REEL ASSY 12 DIA X 75" (SEE PAGE 1-145)	1
9	200255	REEL ASSY 12 DIA X 90" (SEE PAGE 1-145)	2
10	229718	ARM ASSY, 3 RSD (SEE PAGE 1-159)	8

ILLUSTRATED PARTS LIST

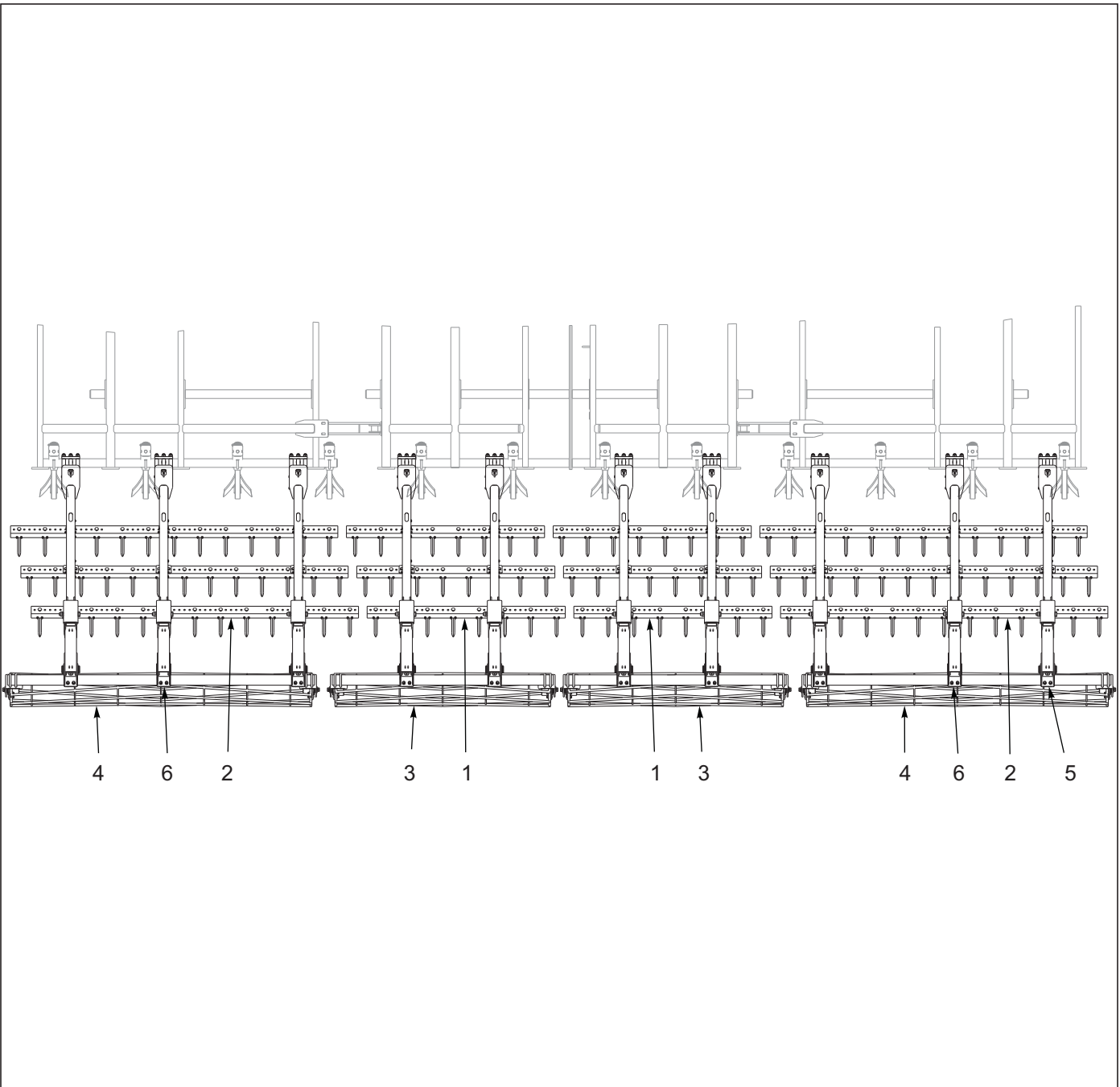


Figure 1-97: 3 Row Spike & Reel - 30'

3 Row Spike & Reel - 30'

ITEM	PART NO.	DESCRIPTION	QTY.
--	231511	3 ROW SPIKE & REEL, 8530-30	
1	186187	SPIKE BAR ASSY, 8 TOOTH 9 SP (SEE PAGE 1-157)	6
2	186192	SPIKE BAR ASSY, 13 TOOTH 9 SP (SEE PAGE 1-157)	6
3	200254	REEL ASSY 12 DIA X 75" (SEE PAGE 1-145)	2
4	200256	REEL ASSY 12 DIA X 105" (SEE PAGE 1-145)	2
5	229718	ARM ASSY, 3 RSD (SEE PAGE 1-159)	8
6	229719	ARM ASSY, 3 RSD W/O SPRING (SEE PAGE 1-161)	2

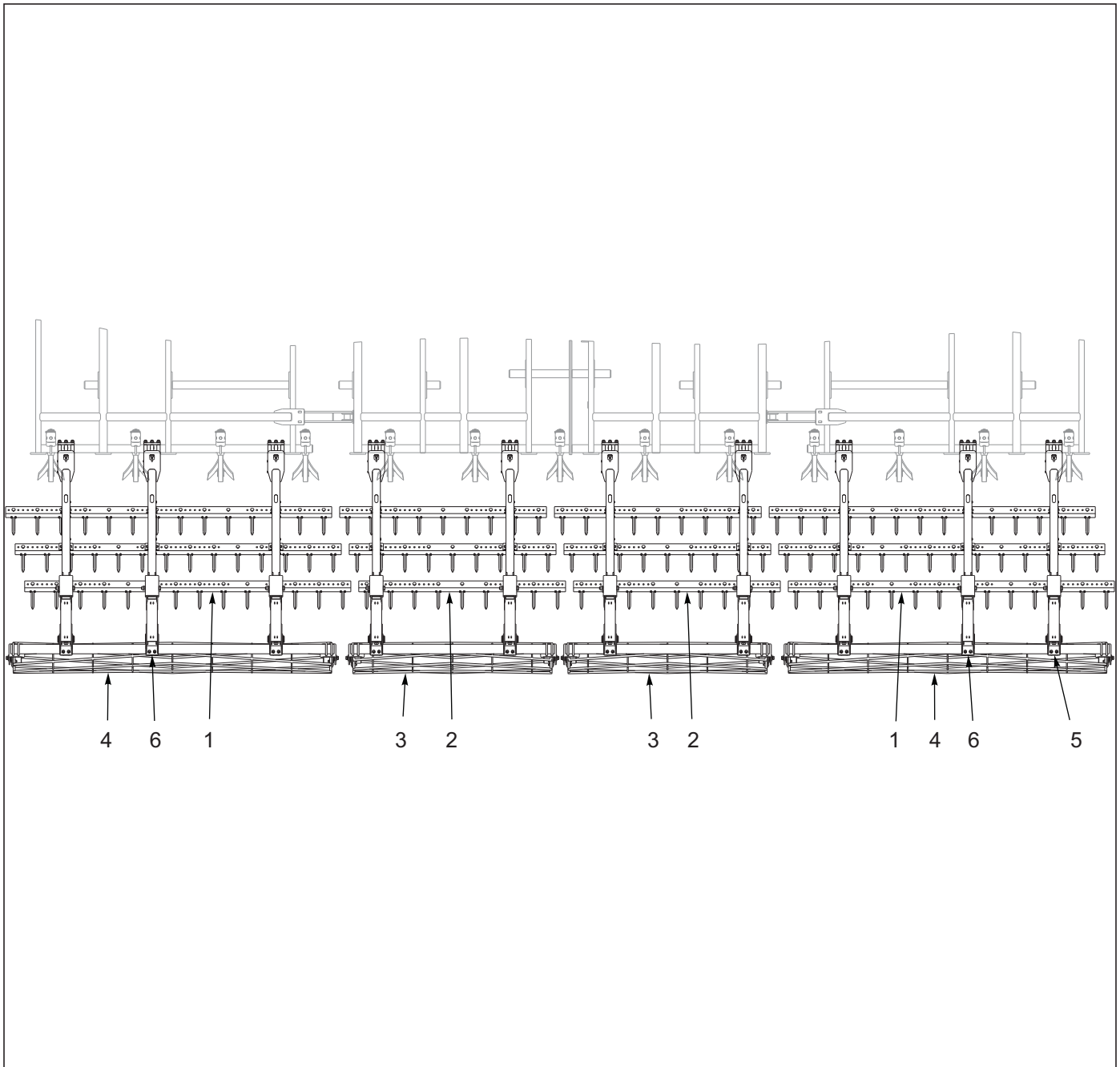


Figure 1-98: 3 Row Spike & Reel - 33'

3 Row Spike & Reel - 33'

ITEM	PART NO.	DESCRIPTION	QTY.
--	231512	3 ROW SPIKE & REEL, 8530-33	
1	186170	SPIKE BAR ASSY, 14 TOOTH 9 SP (SEE PAGE 1-157)	6
2	186188	SPIKE BAR ASSY, 9 TOOTH 9 SP (SEE PAGE 1-157)	6
3	200254	REEL ASSY 12 DIA X 75" (SEE PAGE 1-145)	2
4	200257	REEL ASSY 12 DIA X 120" (SEE PAGE 1-145)	2
5	229718	ARM ASSY, 3 RSD (SEE PAGE 1-159)	8
6	229719	ARM ASSY, 3 RSD W/O SPRING (SEE PAGE 1-161)	2

ILLUSTRATED PARTS LIST

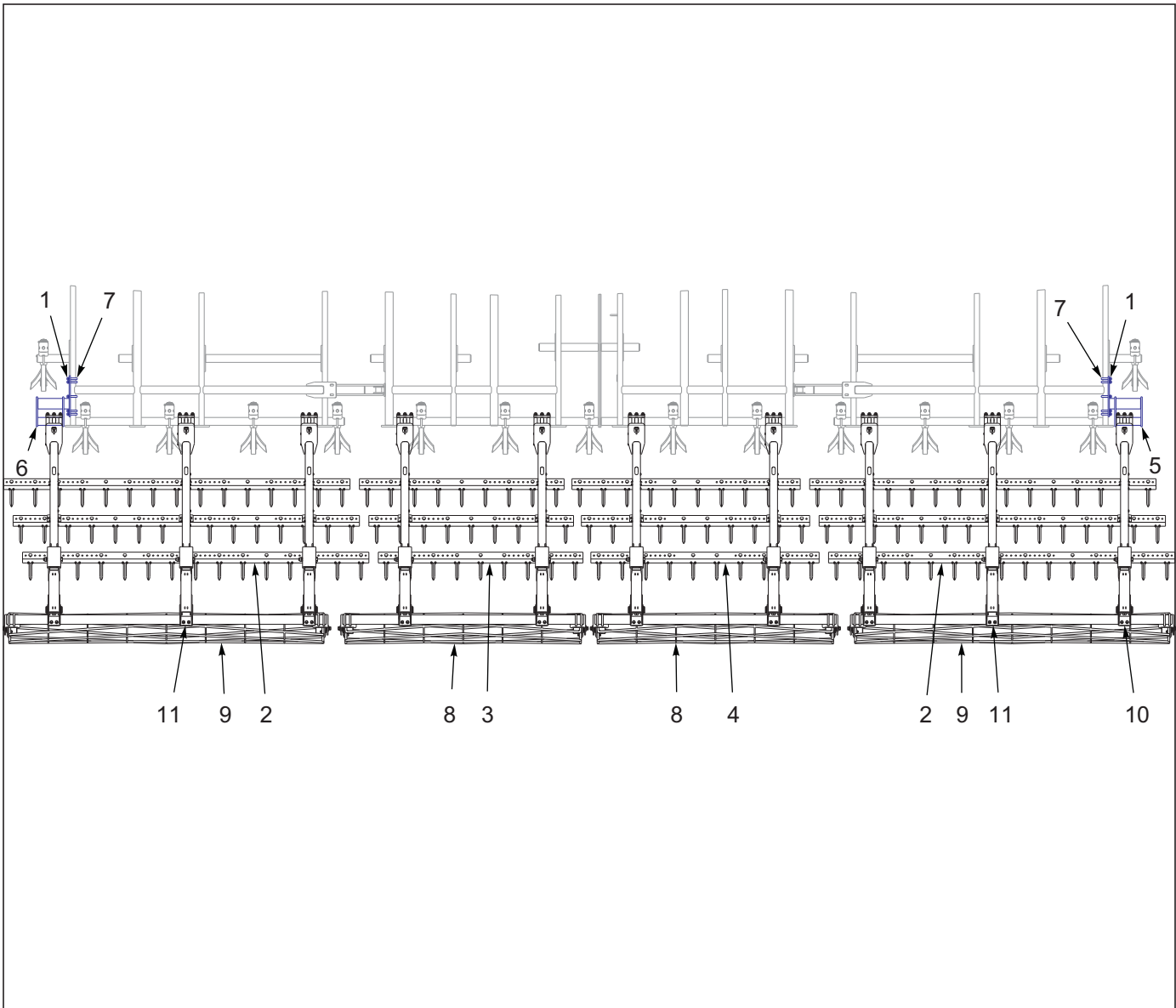


Figure 1-99: 3 Row Spike & Reel - 35'

3 Row Spike & Reel - 35'

ITEM	PART NO.	DESCRIPTION	QTY.
--	231513	3 ROW SPIKE & REEL, 8530-35	
1	1-512-010005-13	NUT, HEX, SLFLKG, 5/8-11 UNC, GRB	20
2	186174	SPIKE BAR ASSY, 15 TOOTH 9 SP (SEE PAGE 1-157)	6
3	186188	SPIKE BAR ASSY, 9 TOOTH 9 SP (SEE PAGE 1-157)	3
4	186189	SPIKE BAR ASSY, 10 TOOTH 9 SP (SEE PAGE 1-157)	3
5	187545	EXTENSION, HARROW MOUNT RT	1
6	187546	EXTENSION, HARROW MOUNT LT	1
7	2-102-010068	U-BOLT, 5/8-11 X 6-11/16 X 3-1/4	10
8	200255	REEL ASSY 12 DIA X 90" (SEE PAGE 1-145)	2
9	200257	REEL ASSY 12 DIA X 120" (SEE PAGE 1-145)	2
10	229718	ARM ASSY, 3 RSD (SEE PAGE 1-159)	8
11	229719	ARM ASSY, 3 RSD W/O SPRING (SEE PAGE 1-161)	2

ILLUSTRATED PARTS LIST

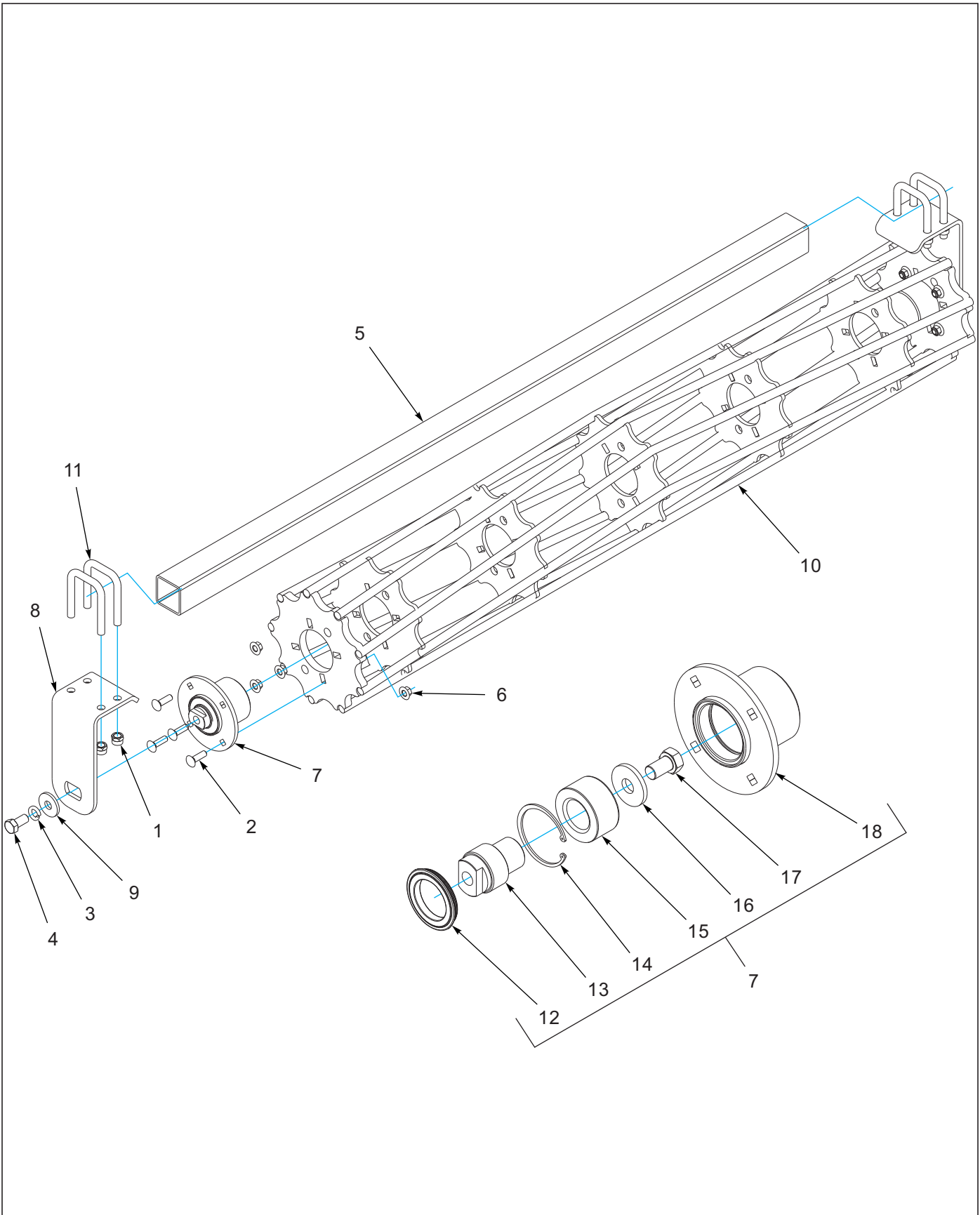


Figure 1-100: Reel Assembly

Reel Assembly

ITEM	PART NO.	DESCRIPTION	QTY.					
--	200253	REEL ASSY 12 DIA X 60"	*					
--	200254	REEL ASSY 12 DIA X 75"		*				
--	200255	REEL ASSY 12 DIA X 90"			*			
--	200256	REEL ASSY 12 DIA X 105"				*		
--	200257	REEL ASSY, 12 DIA X 120"					*	
1	1-512-010005-13	NUT,HEX SLFLKG GRB 5/8-11	8	8	8	8	8	8
2	1-654-010070-04	SCREW RDHD SQNK 1/2-13X1-3/4	8	8	8	8	8	8
3	1-861-010034-17	WASHER,LKG,HLCL SPR,3/4	2	2	2	2	2	2
4	108705	SCREW,HEXCAP,3/4-10X1-1/2 GR8	2	2	2	2	2	2
5	166340	GANG BAR REEL 62 L	1	--	--	--	--	--
5	166341	GANG BAR REEL 77 L	--	1	--	--	--	--
5	166342	GANG BAR REEL 92 L	--	--	1	--	--	--
5	166343	GANG BAR REEL 107 L	--	--	--	1	--	--
5	166344	GANG BAR REEL 122 L	--	--	--	--	1	--
6	172509	NUT,1/2-13 WIDE FLNG TOP LCK F	8	8	8	8	8	8
7	200222	HUB ASSY REEL (INCLUDES ITEMS 12-18)	2	2	2	2	2	2
8	200238	BEARING MOUNT, REEL	2	2	2	2	2	2
9	200259	WASHER, 3/4 HEAVY - 2-1/4	2	2	2	2	2	2
10	225123	REEL WLDMT, 12 DIA X 60" RD	1	--	--	--	--	--
10	225124	REEL WLDMT, 12 DIA X 75" RD	--	1	--	--	--	--
10	225125	REEL WLDMT, 12 DIA X 90" RD	--	--	1	--	--	--
10	225126	REEL WLDMT, 12 DIA X 105" RD	--	--	--	1	--	--
10	225127	REEL WLDMT, 12 DIA X 120" RD	--	--	--	--	1	--
11	8-102-010012	U BOLT	4	4	4	4	4	4
12	185757	SEAL, MAINT FREE HUB HSL	2	2	2	2	2	2
13	200218	SPINDLE REEL BEARING	2	2	2	2	2	2
14	174532	INTERNAL SNAP RING	2	2	2	2	2	2
15	174526	BEARING, DOUBLE TAPER RLLR	2	2	2	2	2	2
16	200259	WASHER, 3/4 HEAVY - 2-1/4	2	2	2	2	2	2
17	129263	SCREW HEX CAP 3/4-10 X 1-1/4	2	2	2	2	2	2
18	200221	HUB WLDMT REEL	2	2	2	2	2	2

3 RSD and Flat Reels

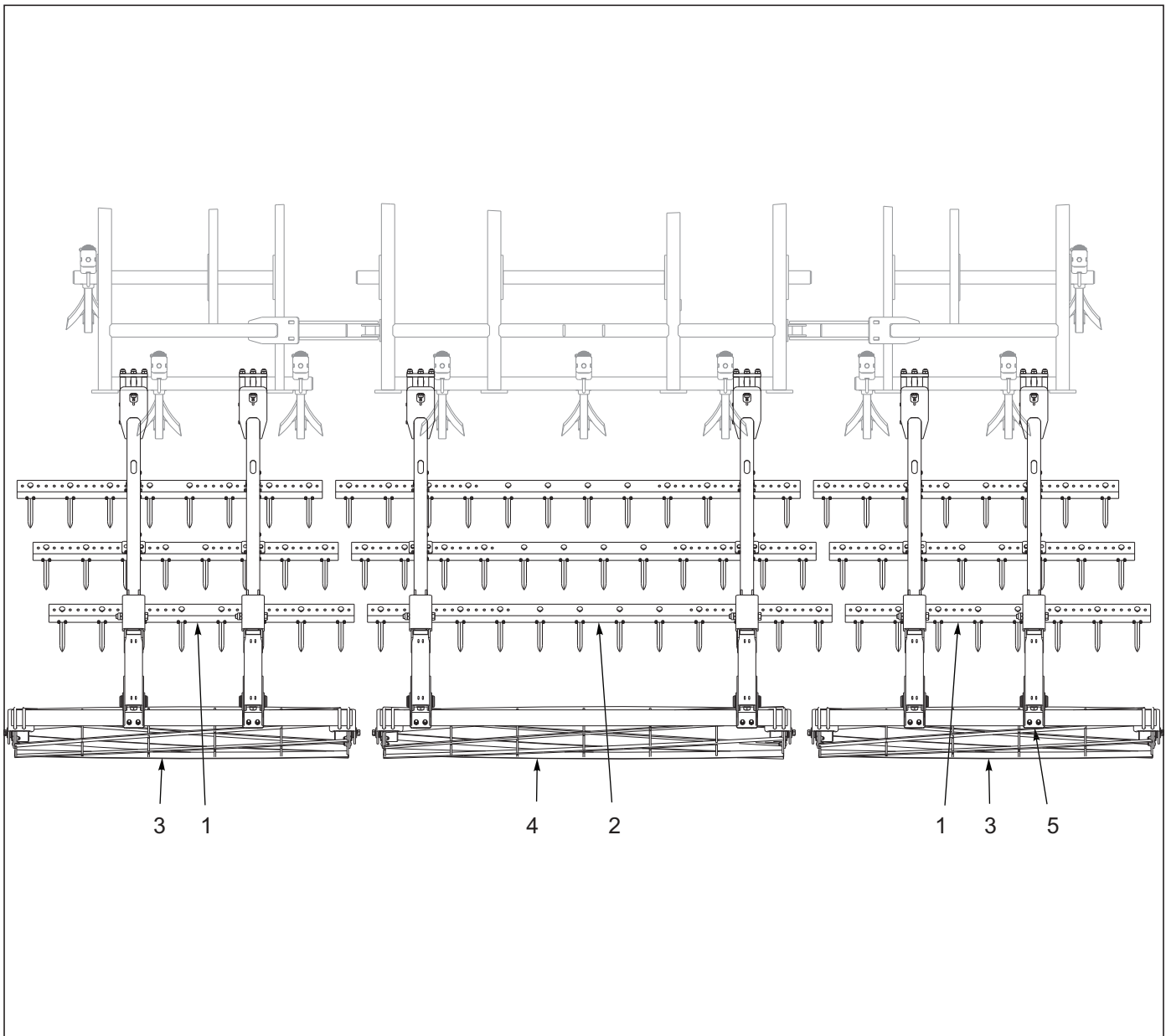


Figure 1-101: 3 RSD and Flat Reel - 19'

3 RSD and Flat Reel - 19'

ITEM	PART NO.	DESCRIPTION	QTY.
--	232356	3 RSD & FLAT REEL, 8530-19	
1	186187	SPIKE BAR ASSY, 8 TOOTH 9 SP (SEE PAGE 1-157)	6
2	186191	SPIKE BAR ASSY, 12 TOOTH 9 SP (SEE PAGE 1-157)	3
3	203185	REEL ASSY 12 DIA X 75" (SEE PAGE 1-155)	2
4	203186	REEL ASSY 12 DIA X 90" (SEE PAGE 1-157)	1
5	229718	ARM ASSY, 3 RSD (SEE PAGE 1-159)	6

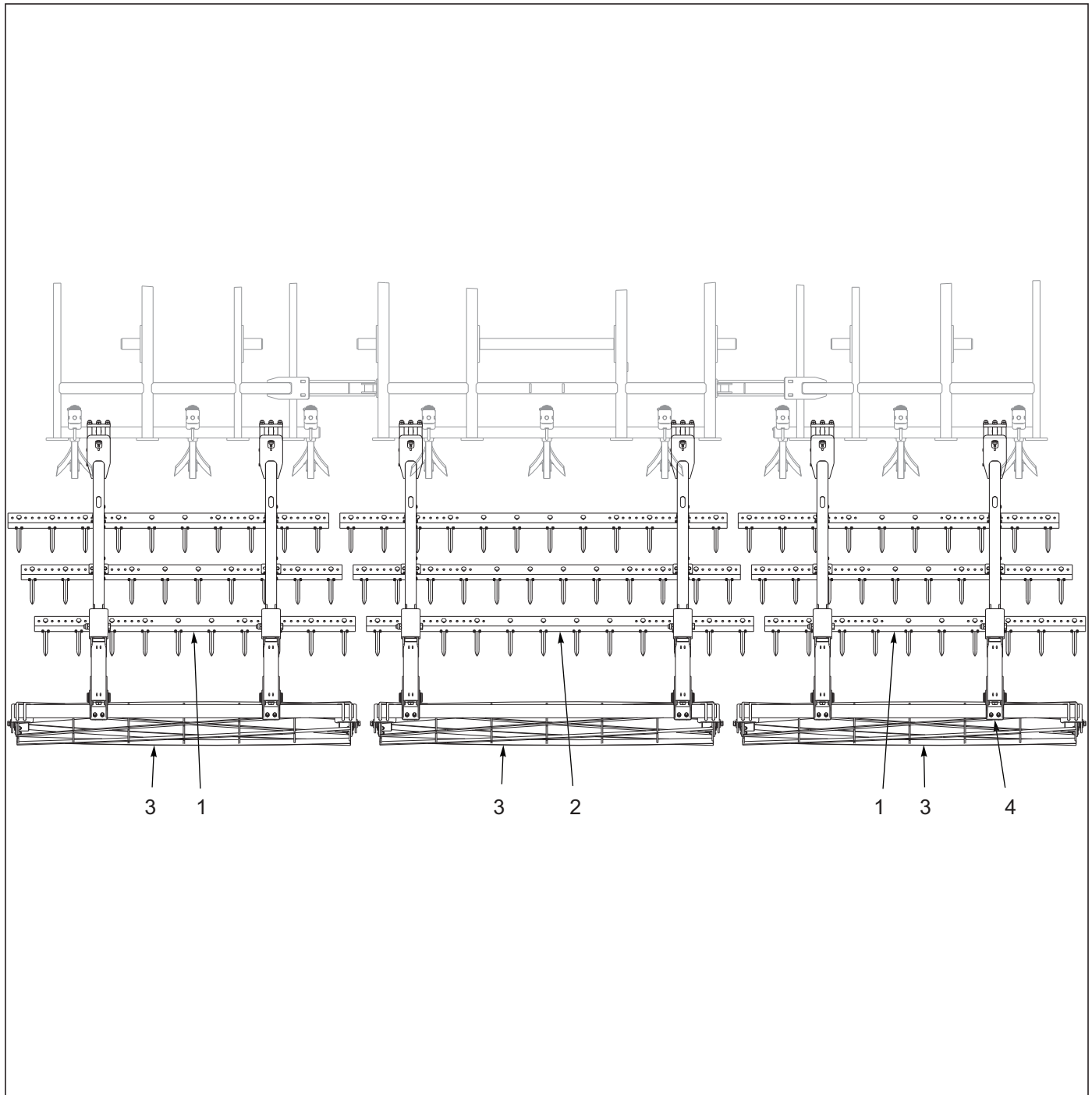


Figure 1-102: 3 RSD and Flat Reel - 22'

3 RSD and Flat Reel - 22'

ITEM	PART NO.	DESCRIPTION	QTY.
--	232357	3 RSD & FLAT REEL, 8530-22	
1	186189	SPIKE BAR ASSY, 10 TOOTH 9 SP (SEE PAGE 1-157)	6
2	186191	SPIKE BAR ASSY, 12 TOOTH 9 SP (SEE PAGE 1-157)	3
3	203186	REEL ASSY 12 DIA X 90" (SEE PAGE 1-155)	3
4	229718	ARM ASSY, 3 RSD (SEE PAGE 1-159)	6

ILLUSTRATED PARTS LIST

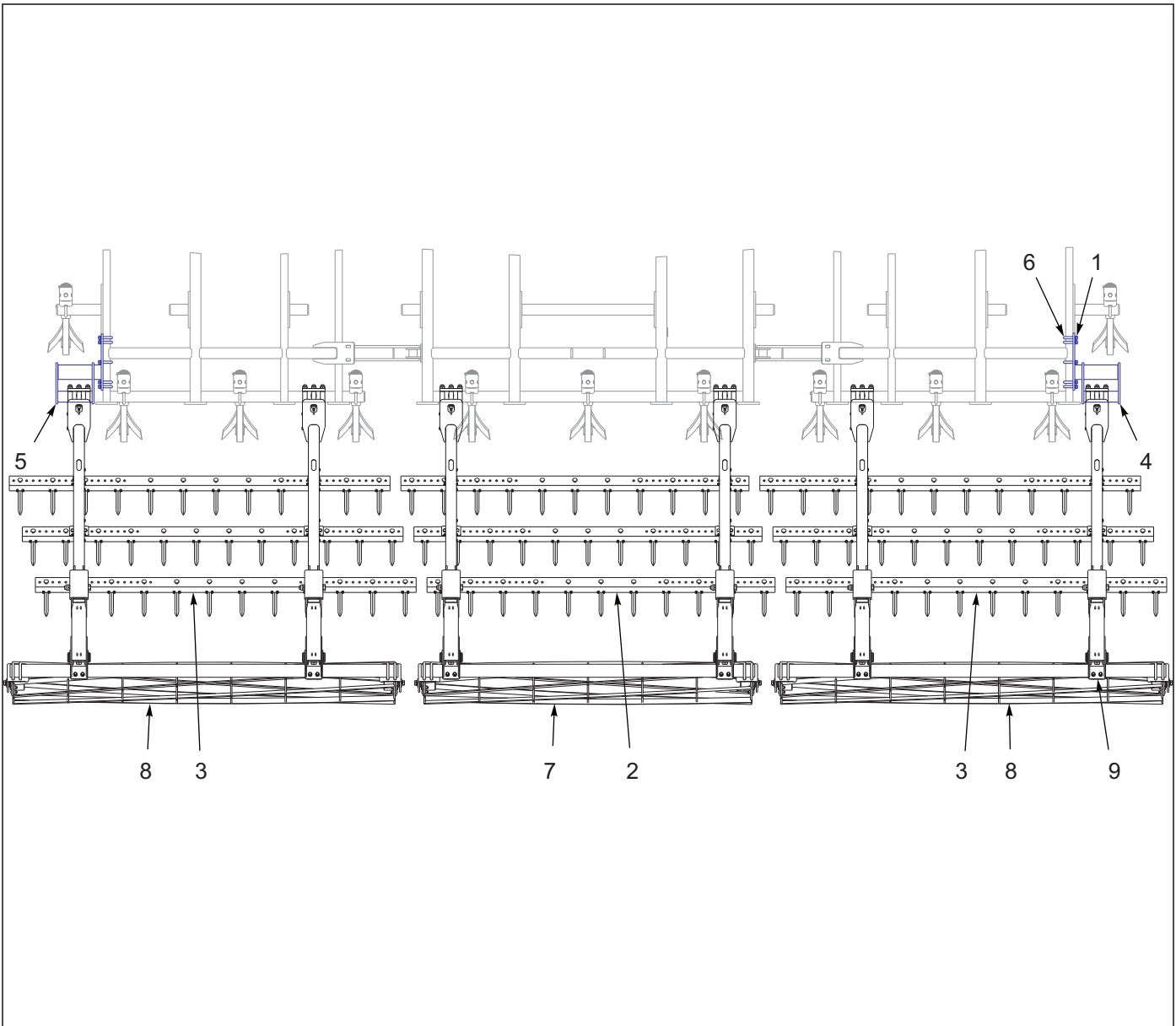


Figure 1-103: 3 RSD and Flat Reel - 25'

3 RSD and Flat Reel - 25'

ITEM	PART NO.	DESCRIPTION	QTY.
--	232358	3 RSD & FLAT REEL, 8530-25	
1	1-512-010005-13	NUT,HEX SLFLKG GRB 5/8-11	20
2	186190	SPIKE BAR ASSY, 11 TOOTH 9 SP (SEE PAGE 1-157)	3
3	186191	SPIKE BAR ASSY, 12 TOOTH 9 SP (SEE PAGE 1-157)	6
4	187545	EXTENSION, HARROW MOUNT RT	1
5	187546	EXTENSION, HARROW MOUNT LT	1
6	2-102-010068	U-BOLT 5/8-11X6-11/16X3-1/2	10
7	203186	REEL ASSY 12 DIA X 90" (SEE PAGE 1-155)	1
8	203187	REEL ASSY 12 DIA X 105" (SEE PAGE 1-155)	2
9	229718	ARM ASSY, 3 RSD (SEE PAGE 1-159)	6

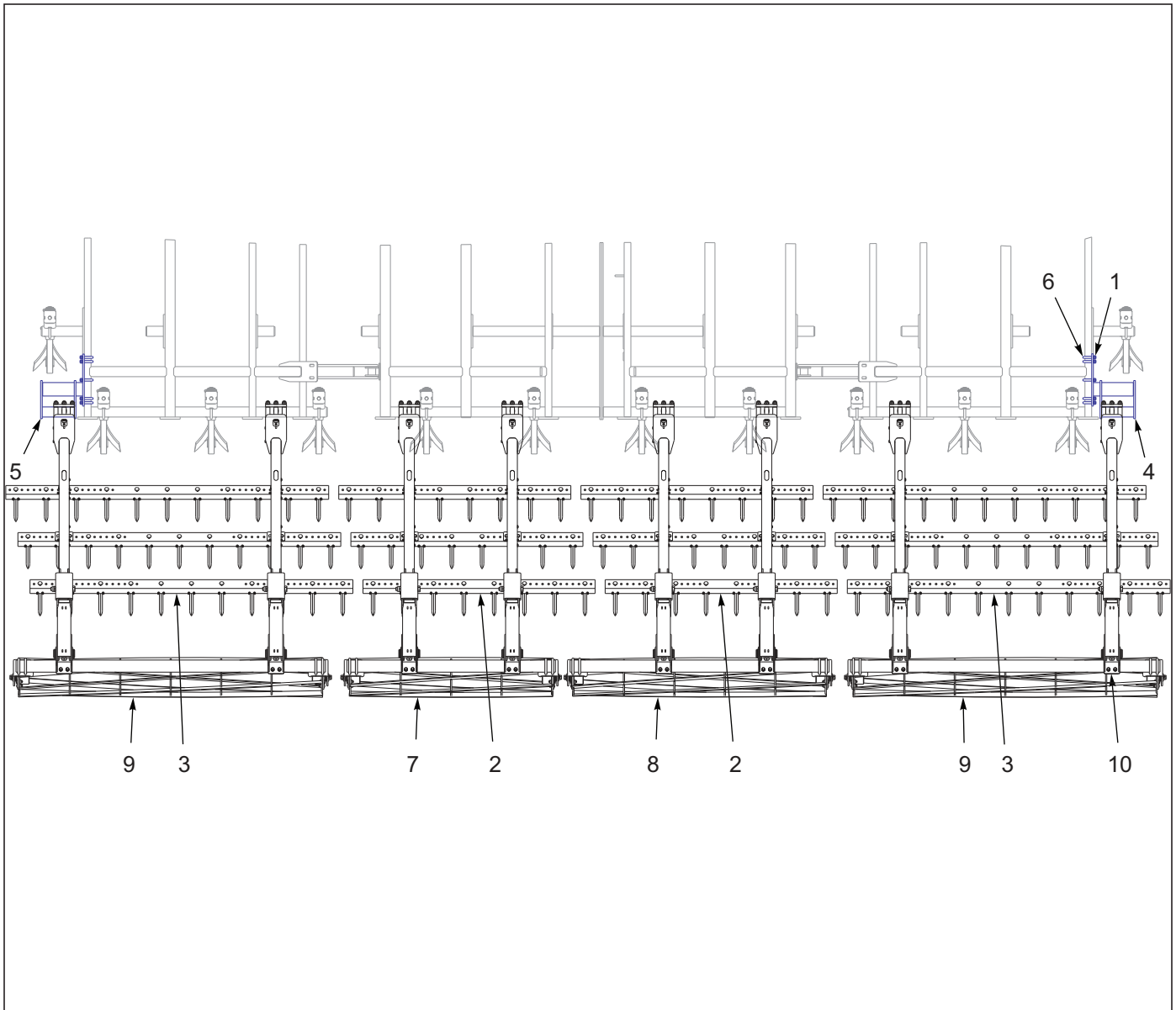


Figure 1-104: 3 RSD and Flat Reel - 27'

3 RSD and Flat Reel - 27'

ITEM	PART NO.	DESCRIPTION	QTY.
--	232359	3 RSD & FLAT REEL, 8530-27	
1	1-512-010005-13	NUT,HEX SLFLKG GRB 5/8-11	20
2	186187	SPIKE BAR ASSY, 8 TOOTH 9 SP (SEE PAGE 1-157)	6
3	186190	SPIKE BAR ASSY, 11 TOOTH 9 SP (SEE PAGE 1-157)	3
4	187545	EXTENSION, HARROW MOUNT RT	1
5	187546	EXTENSION, HARROW MOUNT LT	1
6	2-102-010068	U-BOLT 5/8-11X6-11/16X3-1/2	10
7	203184	REEL ASSY 12 DIA X 60" (SEE PAGE 1-155)	1
8	203185	REEL ASSY 12 DIA X 75" (SEE PAGE 1-155)	1
9	203186	REEL ASSY 12 DIA X 90" (SEE PAGE 1-155)	2
10	229718	ARM ASSY, 3 RSD (SEE PAGE 1-159)	8

ILLUSTRATED PARTS LIST

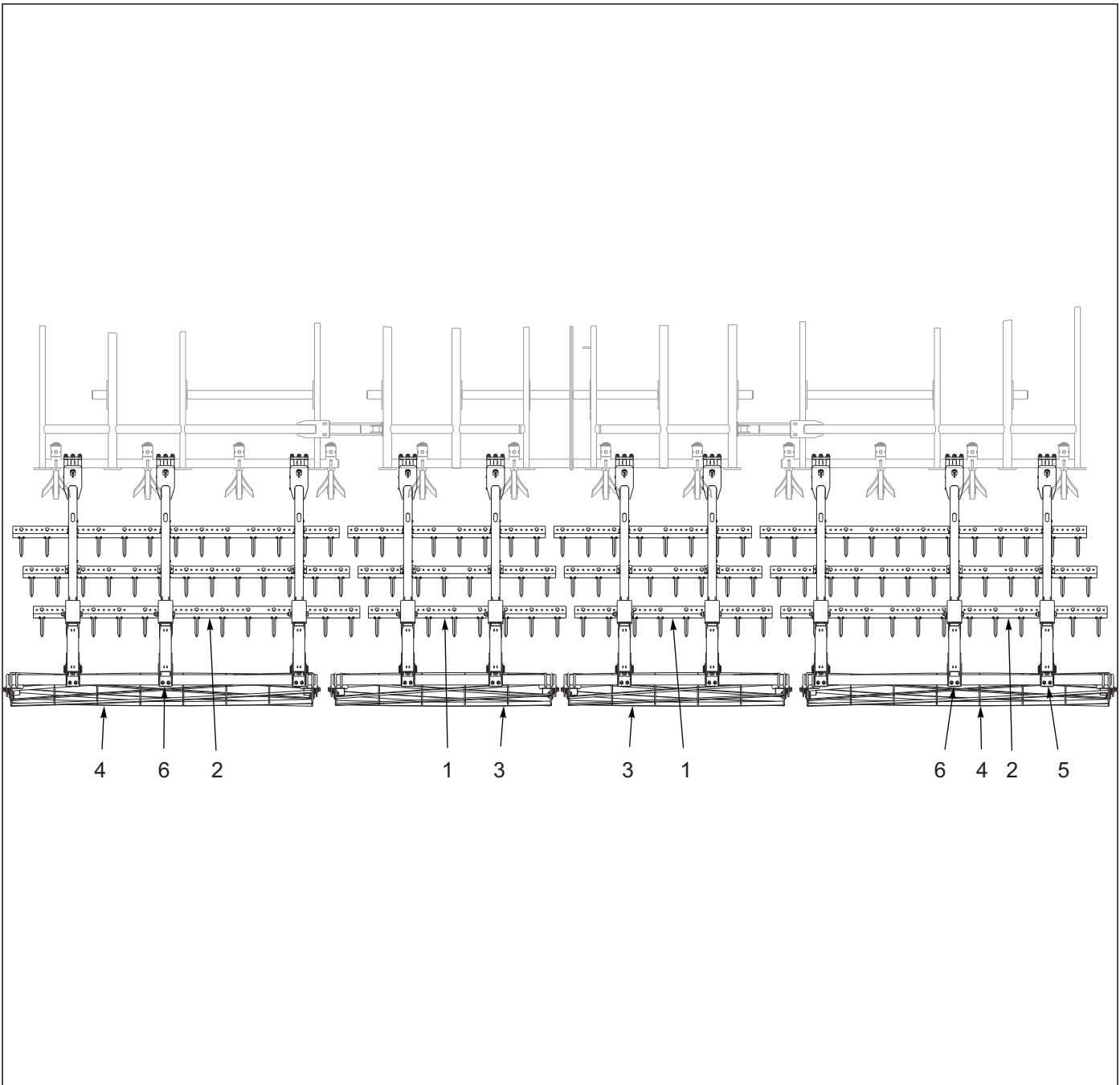


Figure 1-105: 3 RSD and Flat Reel- 30'

3 RSD and Flat Reel - 30'

ITEM	PART NO.	DESCRIPTION	QTY.
--	232360	3 RSD & FLAT REEL, 8530-30	
1	186187	SPIKE BAR ASSY, 8 TOOTH 9 SP (SEE PAGE 1-157)	6
2	186192	SPIKE BAR ASSY, 13 TOOTH 9 SP (SEE PAGE 1-157)	6
3	203185	REEL ASSY 12 DIA X 75" (SEE PAGE 1-155)	2
4	203187	REEL ASSY 12 DIA X 105" (SEE PAGE 1-155)	2
5	229718	ARM ASSY, 3 RSD (SEE PAGE 1-159)	8
6	229719	ARM ASSY, 3 RSD W/O SPRING (SEE PAGE 1-161)	2

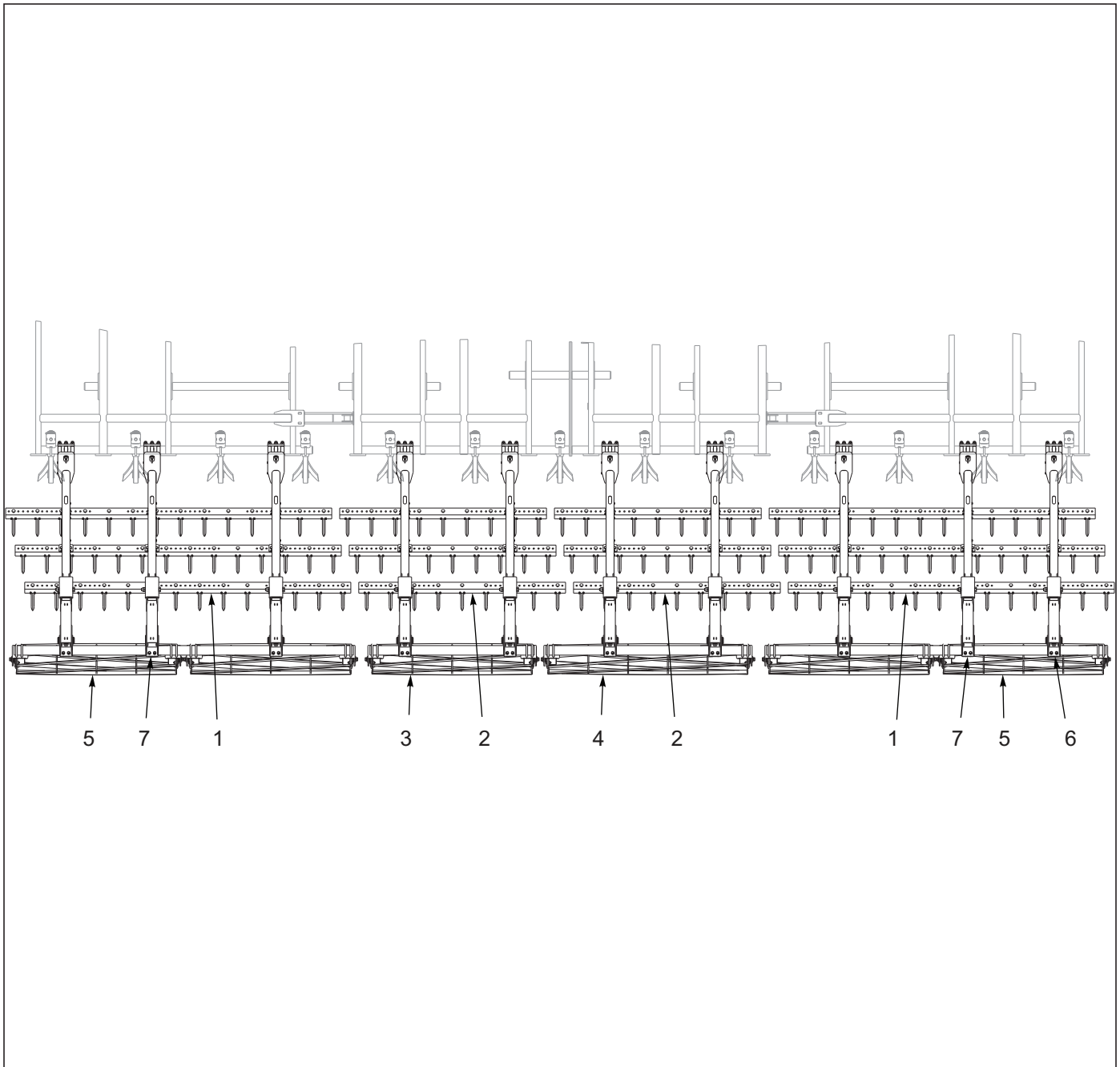


Figure 1-106: 3 RSD and Flat Reel - 33'

3 RSD and Flat Reel - 33'

ITEM	PART NO.	DESCRIPTION	QTY.
--	232361	3 RSD & FLAT REEL, 8530-33	
1	186170	SPIKE BAR ASSY, 14 TOOTH 9 SP (SEE PAGE 1-157)	6
2	186188	SPIKE BAR ASSY, 9 TOOTH 9 SP (SEE PAGE 1-157)	6
3	203184	REEL ASSY 12 DIA X 60" (SEE PAGE 1-155)	1
4	203185	REEL ASSY 12 DIA X 75" (SEE PAGE 1-155)	1
5	203188	REEL ASSY 12 DIA X 120" (SEE PAGE 1-155)	2
6	229718	ARM ASSY, 3 RSD (SEE PAGE 1-159)	8
7	229719	ARM ASSY, 3 RSD W/O SPRING (SEE PAGE 1-161)	2

ILLUSTRATED PARTS LIST

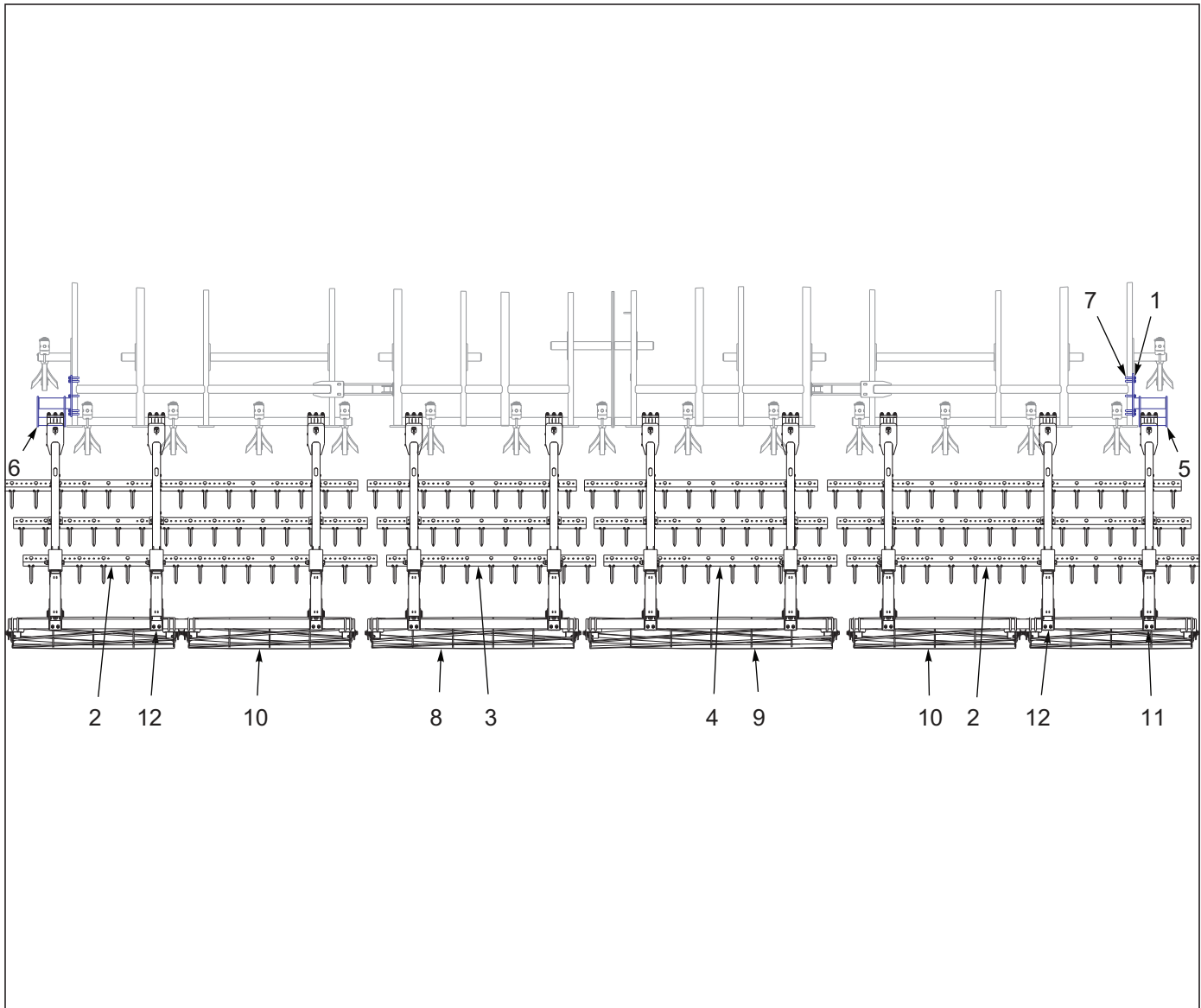


Figure 1-107: 3 RSD and Flat Reel - 35'

3 RSD and Flat Reel - 35'

ITEM	PART NO.	DESCRIPTION	QTY.
--	232362	3 RSD & FLAT REEL, 8530-35	
1	1-512-010005-13	NUT,HEX SLFLKG GRB 5/8-11	20
2	186174	SPIKE BAR ASSY, 15 TOOTH 9 SP (SEE PAGE 1-157)	6
3	186188	SPIKE BAR ASSY, 9 TOOTH 9 SP (SEE PAGE 1-157)	3
4	186189	SPIKE BAR ASSY, 10 TOOTH 9 SP (SEE PAGE 1-157)	3
5	187545	EXTENSION, HARROW MOUNT RT	1
6	187546	EXTENSION, HARROW MOUNT LT	1
7	2-102-010068	U-BOLT 5/8-11X6-11/16X3-1/2	10
8	203185	REEL ASSY 12 DIA X 75" (SEE PAGE 1-155)	1
9	203186	REEL ASSY 12 DIA X 90" (SEE PAGE 1-155)	1
10	203188	REEL ASSY 12 DIA X 120" (SEE PAGE 1-155)	2
11	229718	ARM ASSY, 3 RSD (SEE PAGE 1-159)	8
12	229719	ARM ASSY, 3 RSD W/O SPRING (SEE PAGE 1-161)	2

ILLUSTRATED PARTS LIST

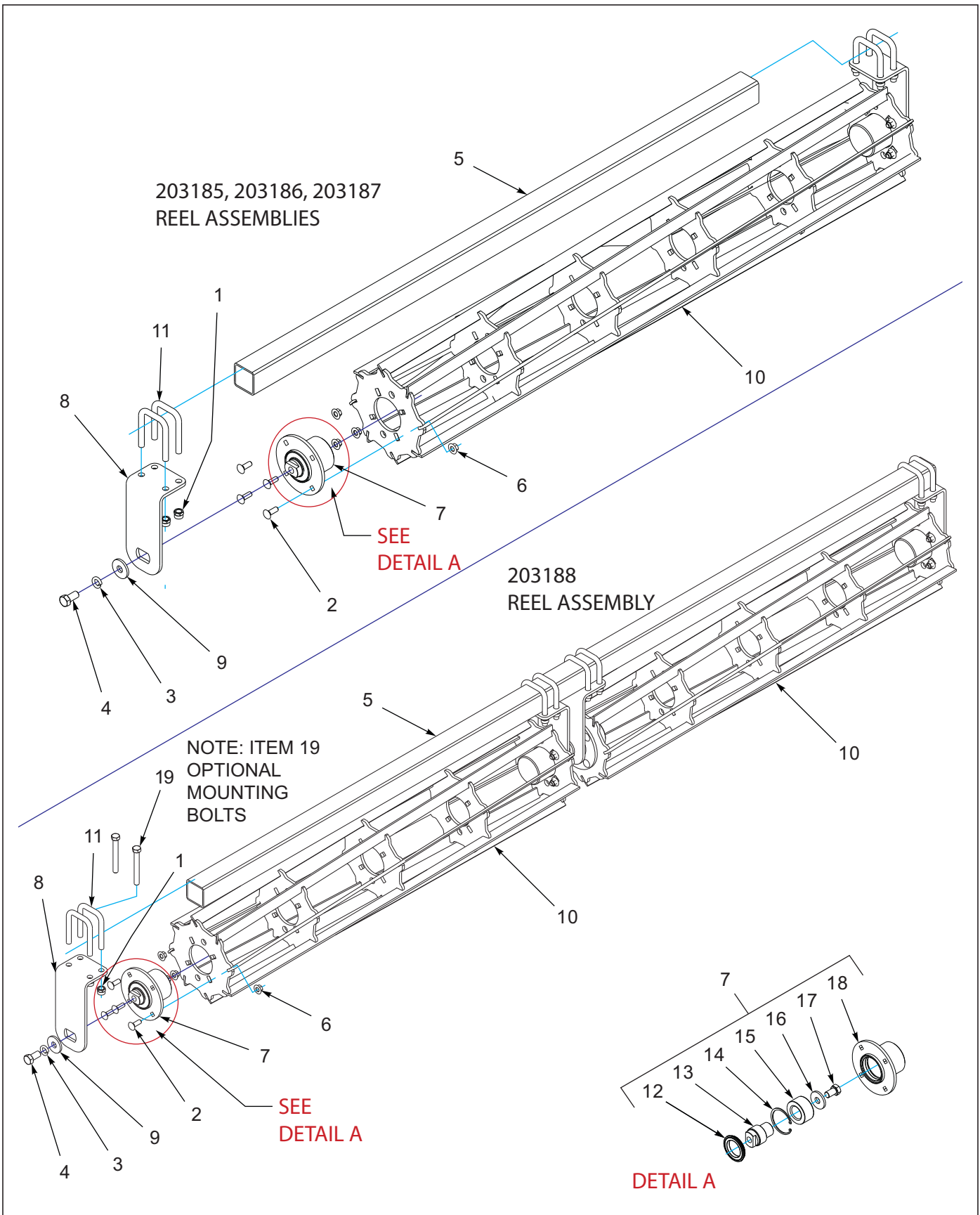


Figure 1-108: Flat Reel Assembly

Flat Reel Assembly

ITEM	PART NO.	DESCRIPTION	QTY.				
--	203184	REEL ASSY 12 DIA X 60"	*				
--	203185	REEL ASSY 12 DIA X 75"	*				
--	203186	REEL ASSY 12 DIA X 90"	*				
--	203187	REEL ASSY 12 DIA X 105"	*				
--	203188	REEL ASSY 12 DIA X 120"	*				
1	1-512-010005-13	NUT,HEX SLFLKG GRB 5/8-11	8	8	8	8	16
2	1-654-010070-03	SCREW RDHD SQNK1/2-13X1-1/2	8	8	8	8	16
3	1-861-010034-17	WASHER,LKG,HLCL SPR,3/4	2	2	2	2	4
4	108705	SCREW,HEXCAP,3/4-10X1-1/2 GR8	2	2	2	2	4
5	166340	GANG BAR REEL 62 L	1	--	--	--	--
5	166341	GANG BAR, REEL, 77 L	--	1	--	--	--
5	166342	GANG BAR, REEL, 92 L	--	--	1	--	--
5	166343	GANG BAR, REEL, 107"	--	--	--	1	--
5	204380	GANG BAR, REEL 128"	--	--	--	--	1
6	172509	NUT,1/2-13 WIDE FLNG TOP LCK F	8	8	8	8	16
7	200222	HUB ASSY REEL	2	2	2	2	4
8	200238	BEARING MOUNT, REEL	2	2	2	2	4
9	200259	WASHER, 3/4 HEAVY - 2-1/4	2	2	2	2	4
10	200296	REEL, 12" DIA X 60" FLAT WLDMT	1	--	--	--	2
10	200297	REEL, 12" DIA X 75" FLAT WLDMT	--	1	--	--	--
10	200298	REEL, 12" DIA X 90" FLAT WLDMT	--	--	1	--	--
10	200299	REEL,12" DIA X 105" FLAT WLDMT	--	--	--	1	--
11	8-102-010012	U BOLT	4	4	4	4	8
12	185757	SEAL, MAINT FREE HUB HSL	2	2	2	2	4
13	200218	SPINDLE REEL BEARING	2	2	2	2	4
14	174532	INTERNAL SNAP RING	2	2	2	2	4
15	174526	BEARING, DOUBLE TAPER RLLR	2	2	2	2	4
16	200259	WASHER, 3/4 HEAVY - 2-1/4	2	2	2	2	4
17	129263	SCREW HEX CAP 3/4-10 X 1-1/4	2	2	2	2	4
18	200221	HUB WLDMT REEL	2	2	2	2	4
19	1-654-010059-15	SCREW,HEX CAP,5/8-11UNCX5 GR5 (OPTIONAL MOUNTING BOLTS)					

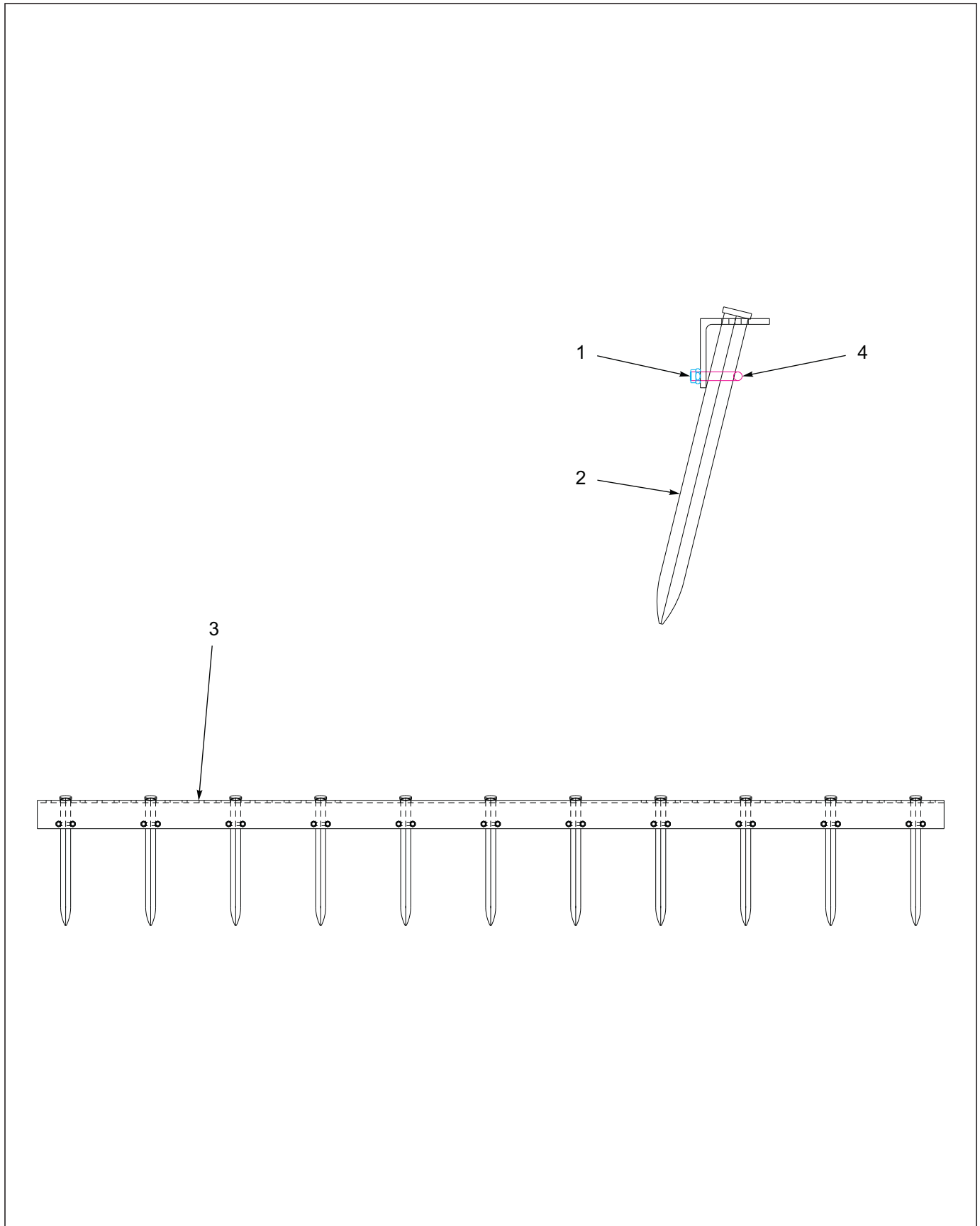


Figure 1-109: Spike Bar Assembly, 9 SP

Spike Bar Assembly, 9 SP

ITEM	PART NO.	DESCRIPTION	QTY.																	
--	186187	SPIKE BAR ASSY, 8 TOOTH 9SP	*																	
--	186188	SPIKE BAR ASSY, 9 TOOTH 9SP		*																
--	186189	SPIKE BAR ASSY, 10 TOOTH 9SP			*															
--	186190	SPIKE BAR ASSY, 11 TOOTH 9 SP				*														
--	186191	SPIKE BAR ASSY, 12 TOOTH 9SP					*													
--	186192	SPIKE BAR ASSY, 13 TOOTH 9SP						*												
--	186170	SPIKE BAR ASSY, 14 TOOTH 9SP								*										
--	186174	SPIKE BAR ASSY, 15 TOOTH 9SP																		*
1	1-512-010005-05	NUT, HEX, SLFLKG, 3/8-16, UNC GRB	16	18	20	22	24	26	28	30										
2	166148	SPIKE, TOOTH, 3/4 SQ X 14	8	9	10	11	12	13	14	15										
3	186178	SPIKE BAR, 8T 69 9SP	1	--	--	--	--	--	--	--										
3	186179	SPIKE BAR, 9T 78 9SP	--	1	--	--	--	--	--	--										
3	186180	SPIKE BAR, 10T 87 9SP	--	--	1	--	--	--	--	--										
3	186181	SPIKE BAR, 11T 96 9SP	--	--	--	1	--	--	--	--										
3	186182	SPIKE BAR, 12T 105 9SP	--	--	--	--	1	--	--	--										
3	186183	SPIKE BAR, 13T 114 9SP	--	--	--	--	--	1	--	--										
3	186169	SPIKE BAR, 14T 123 9SP	--	--	--	--	--	--	--	1										
3	186173	SPIKE BAR, 15T 132 9SP	--	--	--	--	--	--	--	--										1
3	186165	SPIKE BAR, 16T 141 9SP	--	--	--	--	--	--	--	--										--
4	8-102-010017	U-BOLT, SPIKE ANCHOR	8	9	10	11	12	13	14	15										

ILLUSTRATED PARTS LIST

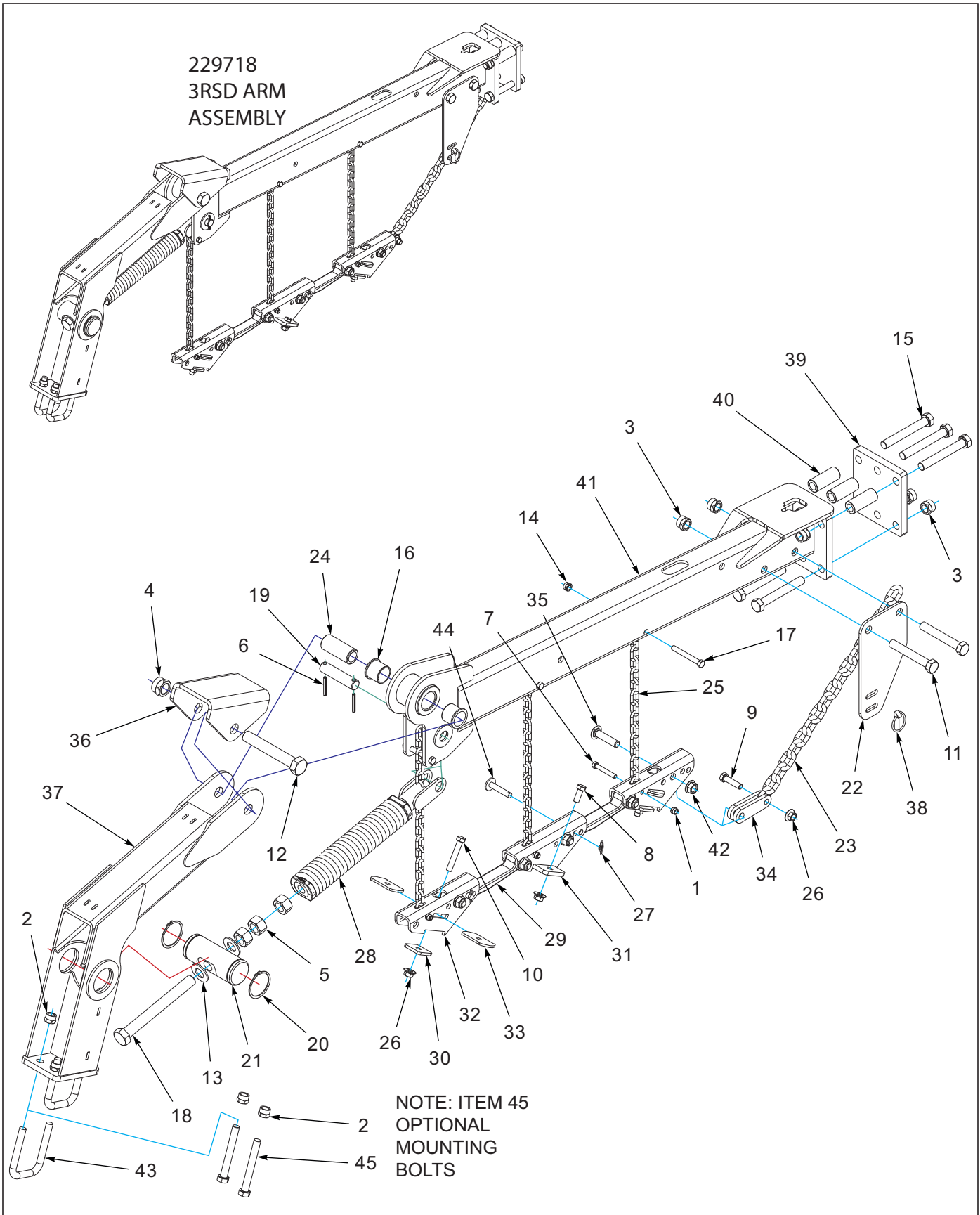


Figure 1-110: 3 RSD Arm Assembly

3 RSD Arm Assembly

ITEM	PART NO.	DESCRIPTION	QTY.
--	229718	ARM ASSY 3 RSD	
1	1-512-010005-05	NUT, HEX, SLFLKG GRB 3/8-16	3
2	1-512-010005-13	NUT,HEX SLFLKG GRB 5/8-11	4
3	1-512-010005-15	NUT,HEX,SLFLKG GRB 3/4-10	8
4	1-512-010005-19	NUT 1-8 HEX SLF-LOCKING GRB	1
5	1-512-010007-14	NUT, HEX 1-8 GR2 ZP	3
6	1-647-010004221	PIN,SPRING 1/4X2 SLOTTED	2
7	1-654-010051-11	SCREW HX CP 3/8-16X2-1/2 G5ZP	3
8	1-654-010055-02	SCREW 1/2-13UNCX1-1/4 CP GR5	2
9	1-654-010055-05	SCREW,HEX CAP,1/2-13UNCX2 GR5	1
10	1-654-010055-09	SCREW,HX CP,1/2-13UNCX3 GR5	2
11	1-654-010061-15	SCREW,HX CP 3/4-10UNCX5 GR5	2
12	1-654-010125-18	SCREW HEX CAP,1-8UNCX6-1/2GR8	1
13	1-861-010032-24	WASHER FL 1IN NARROW ZP	2
14	101988	NUT,HEXSLF-LKG 7/16-14 GRB	3
15	139201	SCREW,HX CP 3/4-10UNCX5.50GR8	6
16	140599	BEARING, FLANGE 1-1/2"	2
17	141808	SCREW HX CP7/16-14UNCX3-1/2G5	3
18	152210	BOLT, ADJ, 1 X 9	1
19	156785	PIN 1 X 4-1/4	1
20	158896	SNAP RING, 2-1/2 SHAFT	2
21	158897	PIN, ADJUSTMENT	1
22	166177	BRACKET, PULL CHAIN	1
23	166242	CHAIN, PULL 3/8	1
24	168739	BUSHING PIVOT 1-1/2 X 3-7/16	1
25	168764	CHAIN 17 LINK 1/4	3
26	172509	NUT,1/2-13 WIDE FLNG TOP LCK F	5
27	172673	WRAP AROUND LOCKING COTTER	2
28	172677	SPRING ASSY, W/ANCHOR	1
29	185697	LINK, HARROW BAR	2
30	186193	CLAMP PLATE, SPIKE BAR	2
31	186200	MOUNT, HARROW BAR W/TABS WLDMT	1
32	186204	MOUNT, HARROW BAR	2
33	186205	PLATE, BAR CLAMP	4
34	186210	CONNECTOR, PULL CHAIN	2
35	187517	SCREW RDHD SHT SQNK5/8-11X2.75	5
36	191459	STOP, HARROW ARM	1
37	199359	ARM WLDMT REEL	1
38	2-557-010009	PIN LYNCH	1
39	208187	MOUNTING PLATE, HARROW 6-BOLT	1
40	211056	BUSHING, CLAMP 3" L	3
41	227666	ARM, HARROW 6-BOLT WLDMT	1
42	29SFFL 5811	NUT,FLANGE HEAD LOCK5/8-11UNC	5
43	8-102-010012	U BOLT	2
44	8C520	CLEVIS PIN	2
45	1-654-010059-15	SCREW,HEX CAP,5/8-11UNCX5 GR5 (OPTIONAL MOUNTING BOLTS)	

ILLUSTRATED PARTS LIST

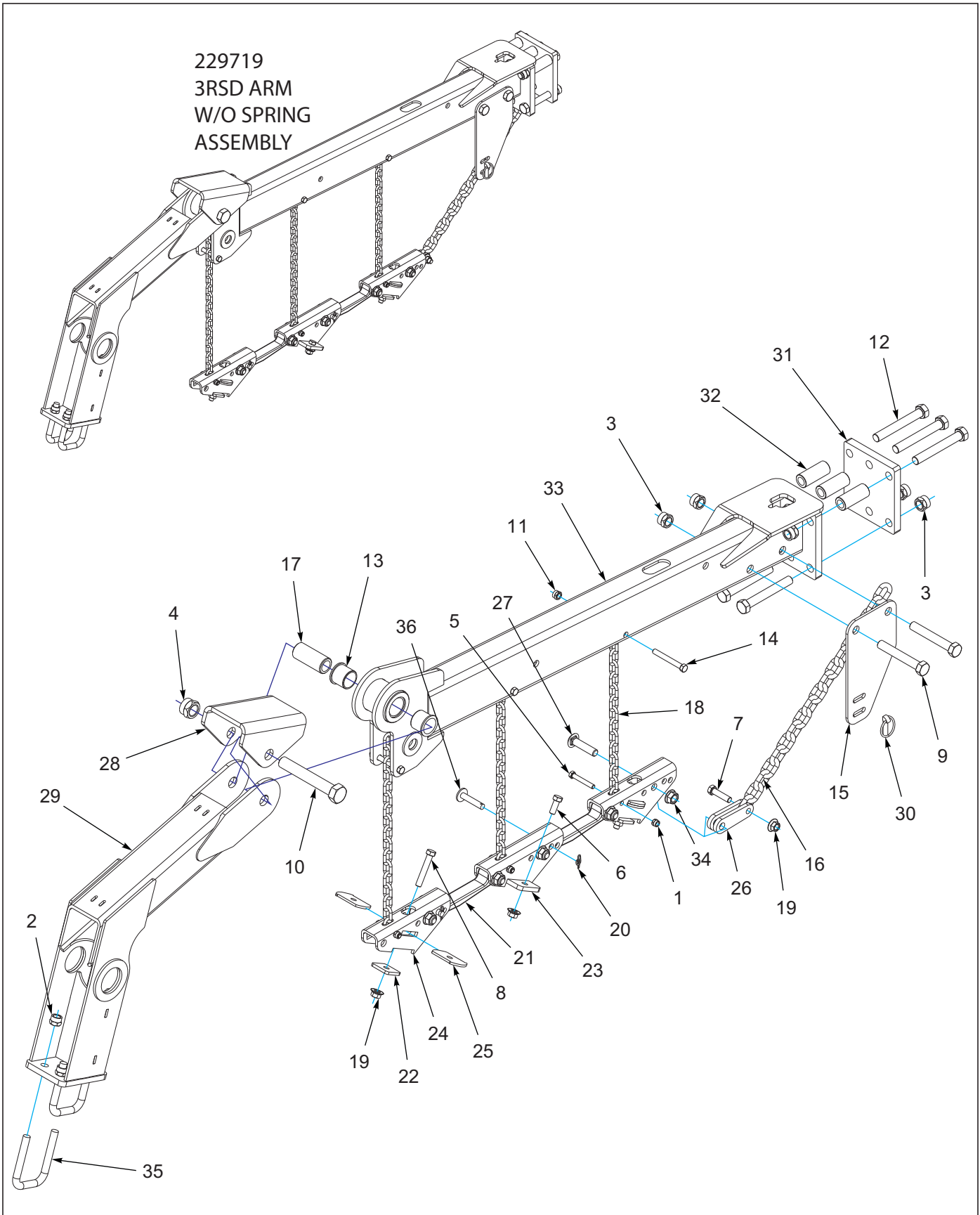


Figure 1-111: 3 RSD Arm Assembly W/O Spring

3 RSD Arm Assembly W/O Spring

ITEM	PART NO.	DESCRIPTION	QTY.
--	229719	ARM ASSY 3 RSD W/O SPRING	
1	1-512-010005-05	NUT, HEX, SLFLKG GRB 3/8-16	3
2	1-512-010005-13	NUT,HEX SLFLKG GRB 5/8-11	4
3	1-512-010005-15	NUT,HEX,SLFLKG GRB 3/4-10	8
4	1-512-010005-19	NUT 1-8 HEX SLF-LOCKING GRB	1
5	1-654-010051-11	SCREW HX CP 3/8-16X2-1/2 G5ZP	3
6	1-654-010055-02	SCREW 1/2-13UNCX1-1/4 CP GR5	2
7	1-654-010055-05	SCREW,HEX CAP,1/2-13UNCX2 GR5	1
8	1-654-010055-09	SCREW,HX CP,1/2-13UNCX3 GR5	2
9	1-654-010061-15	SCREW,HX CP 3/4-10UNCX5 GR5	2
10	1-654-010125-18	SCREW HEX CAP,1-8UNCX6-1/2GR8	1
11	101988	NUT,HEXSLF-LKG 7/16-14 GRB	3
12	139201	SCREW,HX CP 3/4-10UNCX5.50GR8	6
13	140599	BEARING, FLANGE 1-1/2"	2
14	141808	SCREW HX CP7/16-14UNCX3-1/2G5	3
15	166177	BRACKET, PULL CHAIN	1
16	166242	CHAIN, PULL 3/8	1
17	168739	BUSHING PIVOT 1-1/2 X 3-7/16	1
18	168764	CHAIN 17 LINK 1/4	3
19	172509	NUT,1/2-13 WIDE FLNG TOP LCK F	5
20	172673	WRAP AROUND LOCKING COTTER	2
21	185697	LINK, HARROW BAR	2
22	186193	CLAMP PLATE, SPIKE BAR	2
23	186200	MOUNT, HARROW BAR W/TABS WLDMT	1
24	186204	MOUNT, HARROW BAR	2
25	186205	PLATE, BAR CLAMP	4
26	186210	CONNECTOR, PULL CHAIN	2
27	187517	SCREW RDHD SHT SQNK5/8-11X2.75	5
28	191459	STOP, HARROW ARM	1
29	199359	ARM WLDMT REEL	1
30	2-557-010009	PIN LYNCH	1
31	208187	MOUNTING PLATE, HARROW 6-BOLT	1
32	211056	BUSHING, CLAMP 3" L	3
33	227666	ARM, HARROW 6-BOLT WLDMT	1
34	29SFFL 5811	NUT,FLANGE HEAD LOCK5/8-11UNC	5
35	8-102-010012	U BOLT	2
36	8C520	CLEVIS PIN	2

Spike & Double Reels

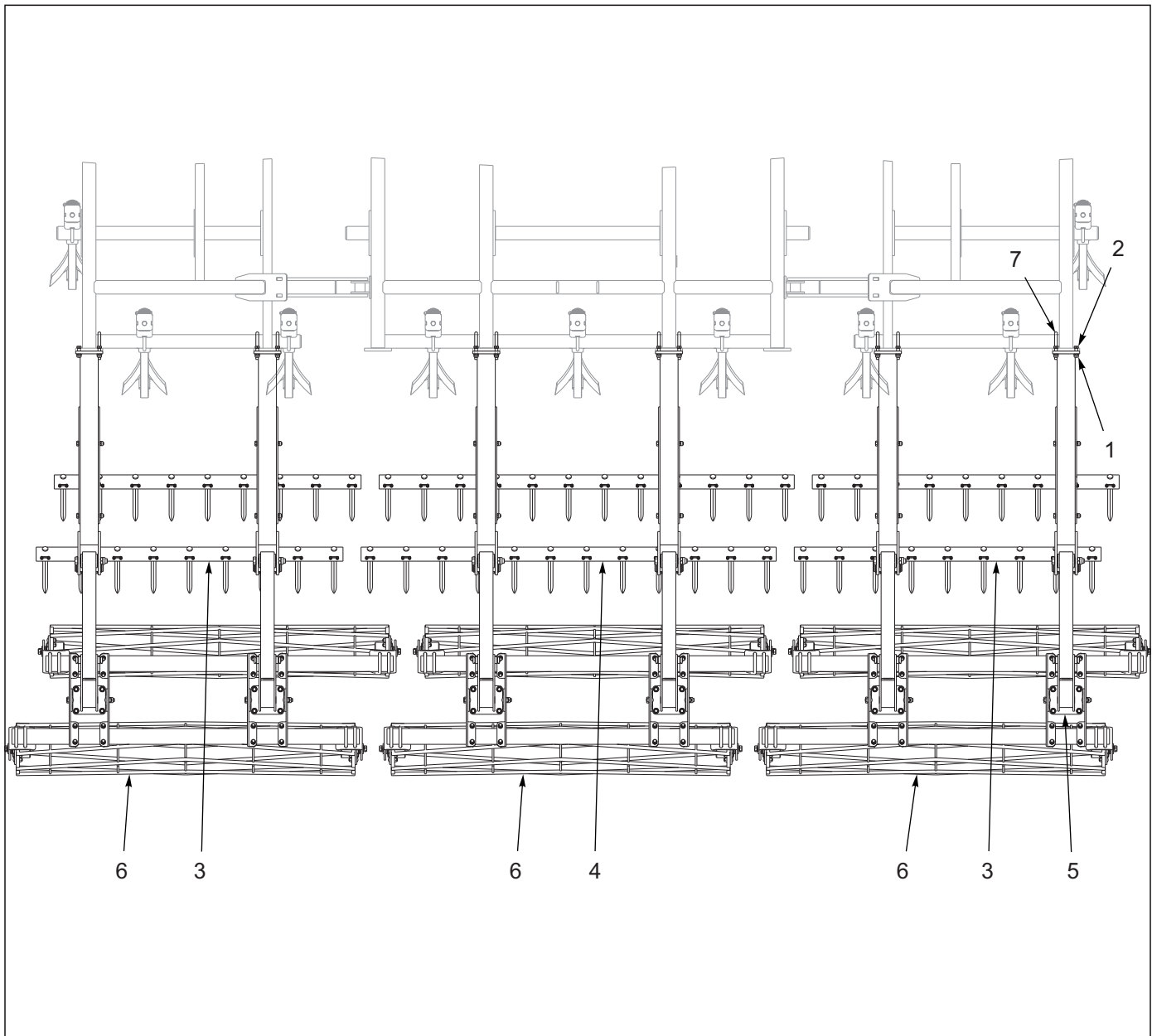


Figure 1-112: Spike & Double Reel - 19'

Spike & Double Reel - 19'

ITEM	PART NO.	DESCRIPTION	QTY.
--	205187	SPIKE/DOUBLE REEL ASSY 8530-19	
1	1-512-010005-13	NUT,HEX SLFLKG GRB 5/8-11	36
2	1-654-010059-05	SCREW,HEX CAP,5/8-11UNCX2 GR5	16
3	189416	SPIKE BAR ASSY 9 TOOTH (SEE PAGE 1-173)	4
4	189419	SPIKE BAR ASSY 12 TOOTH (SEE PAGE 1-173)	2
5	200240	HARROW ARM ASSY DOUBLE REEL (SEE PAGE 1-171)	6
6	200254	REEL ASSY 12 DIA X 75" (SEE PAGE 1-145)	6
7	6-102-010009	U-BOLT RIGID GA WHEEL	10

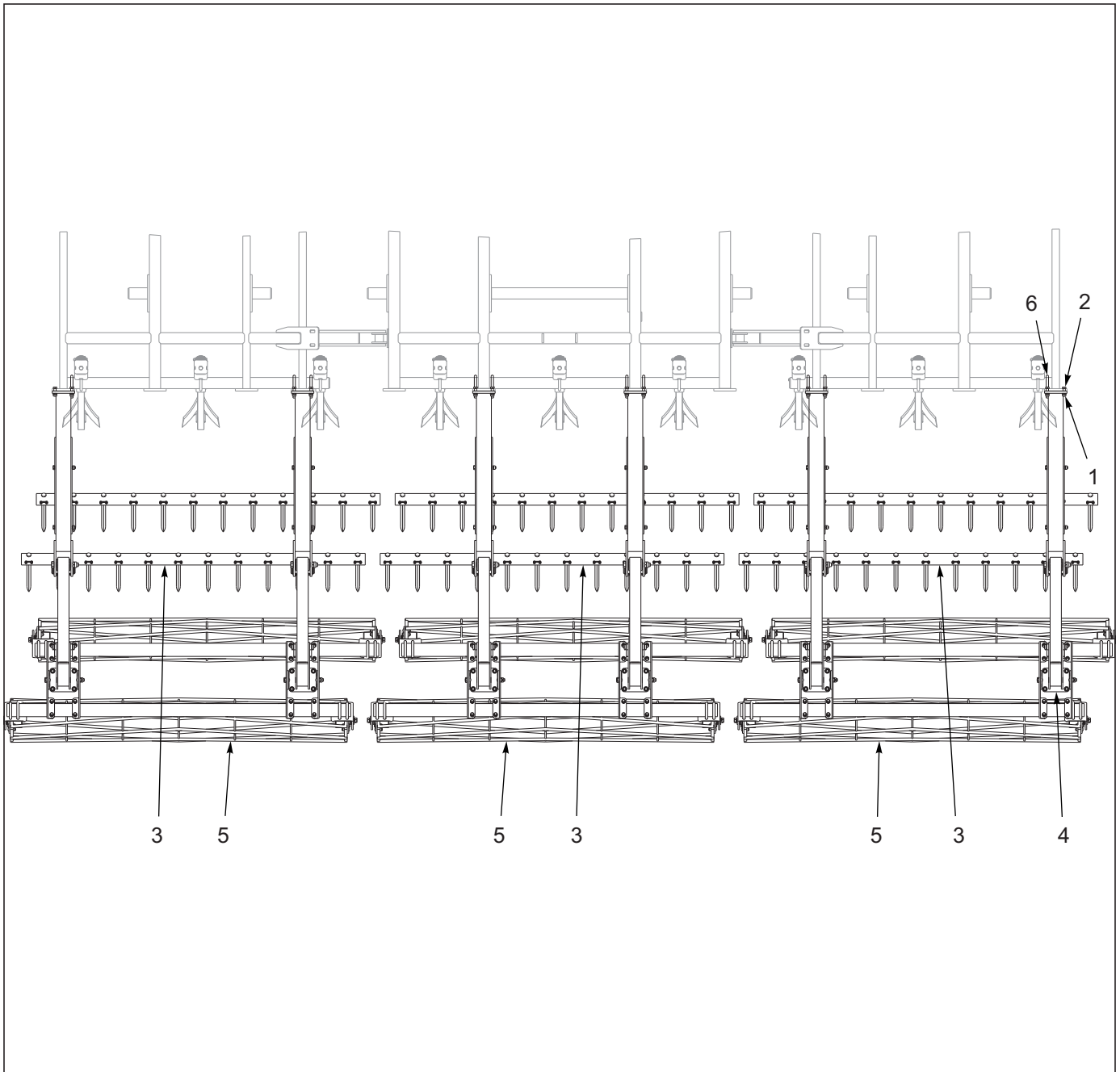


Figure 1-113: Spike & Double Reel - 22'

Spike & Double Reel - 22'

ITEM	PART NO.	DESCRIPTION	QTY.
--	205139	SPIKE/DOUBLE REEL ASSY 8530-22	
1	1-512-010005-13	NUT,HEX SLFLKG GRB 5/8-11	36
2	1-654-010059-05	SCREW,HEX CAP,5/8-11UNCX2 GR5	16
3	189419	SPIKE BAR ASSY 12 TOOTH (SEE PAGE 1-173)	6
4	200240	HARROW ARM ASSY DOUBLE REEL (SEE PAGE 1-171)	6
5	200255	REEL ASSY 12 DIA X 90" (SEE PAGE 1-145)	6
6	6-102-010009	U-BOLT RIGID GA WHEEL	10

ILLUSTRATED PARTS LIST

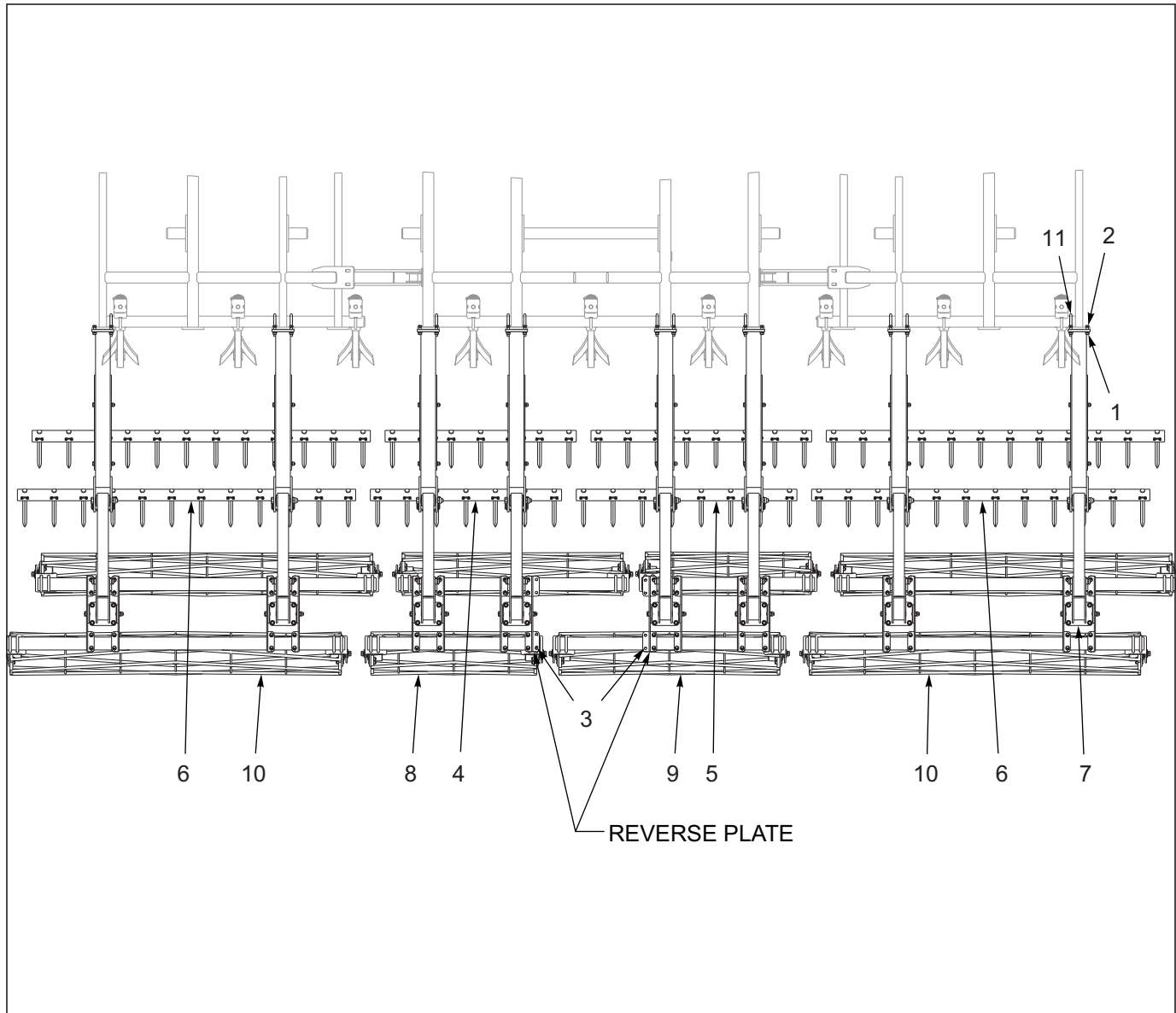


Figure 1-114: Spike & Double Reel - 25'

Spike & Double Reel - 25'

ITEM	PART NO.	DESCRIPTION	QTY.
--	197740	SPIKE/DOUBLE REEL ASSY 8530-25	
1	1-512-010005-13	NUT,HEX SLFLKG GRB 5/8-11	48
2	1-654-010059-05	SCREW,HEX CAP,5/8-11UNCX2 GR5	24
3	1-654-010059-15	SCREW,HEX CAP,5/8-11UNCX5 GR5	4
4	189414	SPIKE BAR ASSY 7 TOOTH (SEE PAGE 1-173)	2
5	189415	SPIKE BAR ASSY 8 TOOTH (SEE PAGE 1-173)	2
6	189419	SPIKE BAR ASSY 12 TOOTH (SEE PAGE 1-173)	4
7	200240	HARROW ARM ASSY DOUBLE REEL (SEE PAGE 1-171)	8
8	200252	REEL ASSY 12 DIA X 45" (SEE PAGE 1-145)	2
9	200253	REEL ASSY 12 DIA X 60" (SEE PAGE 1-145)	2
10	200255	REEL ASSY 12 DIA X 90" (SEE PAGE 1-145)	4
11	6-102-010009	U-BOLT RIGID GA WHEEL	12

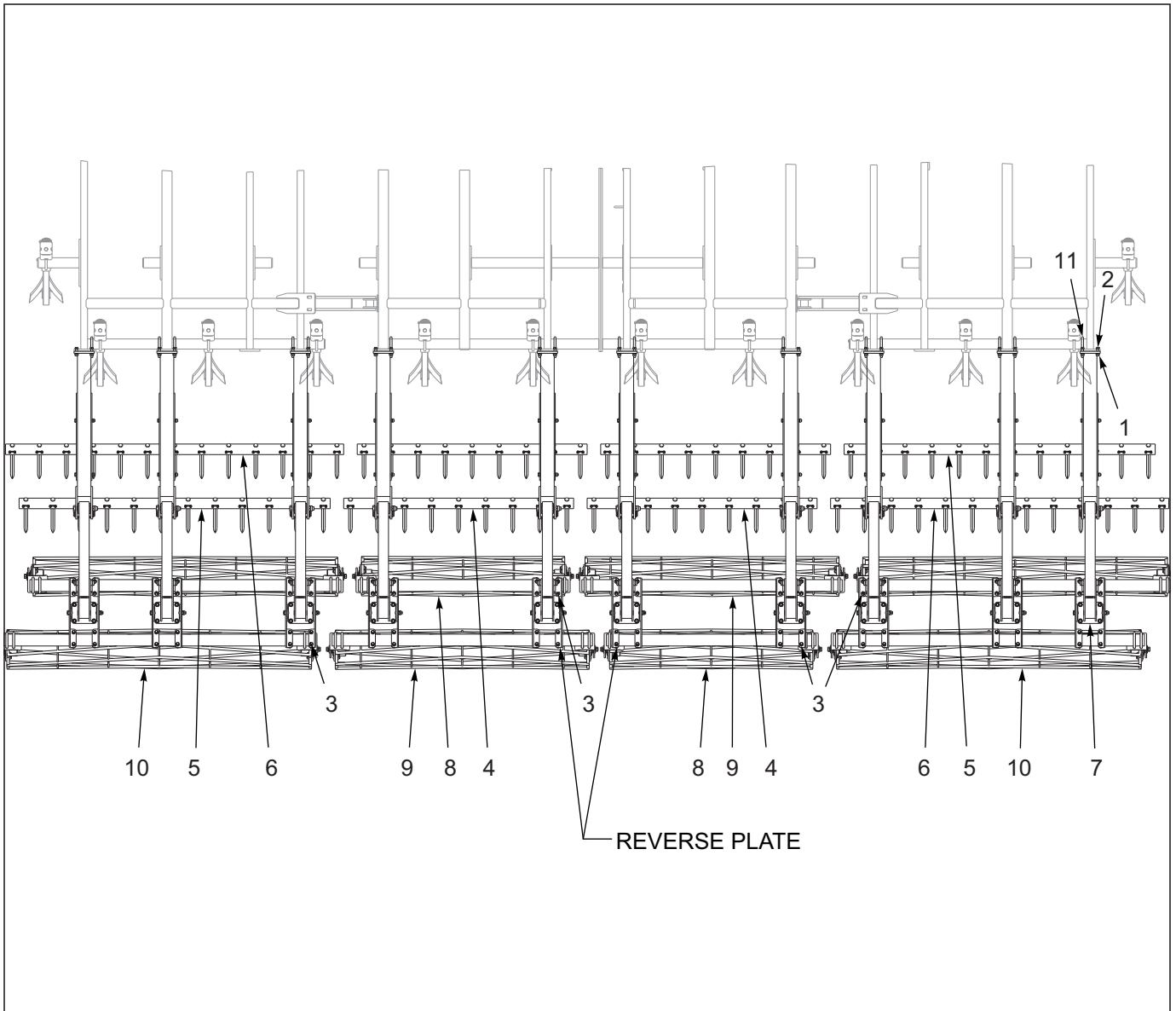


Figure 1-115: Spike & Double Reel - 27'

Spike & Double Reel - 27'

ITEM	PART NO.	DESCRIPTION	QTY.
--	205138	SPIKE/DOUBLE REEL ASSY 8530-27	
1	1-512-010005-13	NUT,HEX SLFLKG GRB 5/8-11	60
2	1-654-010059-05	SCREW,HEX CAP,5/8-11UNCX2 GR5	28
3	1-654-010059-15	SCREW,HEX CAP,5/8-11UNCX5 GR5	8
4	189416	SPIKE BAR ASSY 9 TOOTH (SEE PAGE 1-173)	4
5	189419	SPIKE BAR ASSY 12 TOOTH (SEE PAGE 1-173)	2
6	189420	SPIKE BAR ASSY 13 TOOTH (SEE PAGE 1-173)	2
7	200240	HARROW ARM ASSY DOUBLE REEL (SEE PAGE 1-171)	10
8	200253	REEL ASSY 12 DIA X 60" (SEE PAGE 1-145)	2
9	200254	REEL ASSY 12 DIA X 75" (SEE PAGE 1-145)	2
10	200255	REEL ASSY 12 DIA X 90" (SEE PAGE 1-145)	4
11	6-102-010009	U-BOLT RIGID GA WHEEL	16

ILLUSTRATED PARTS LIST

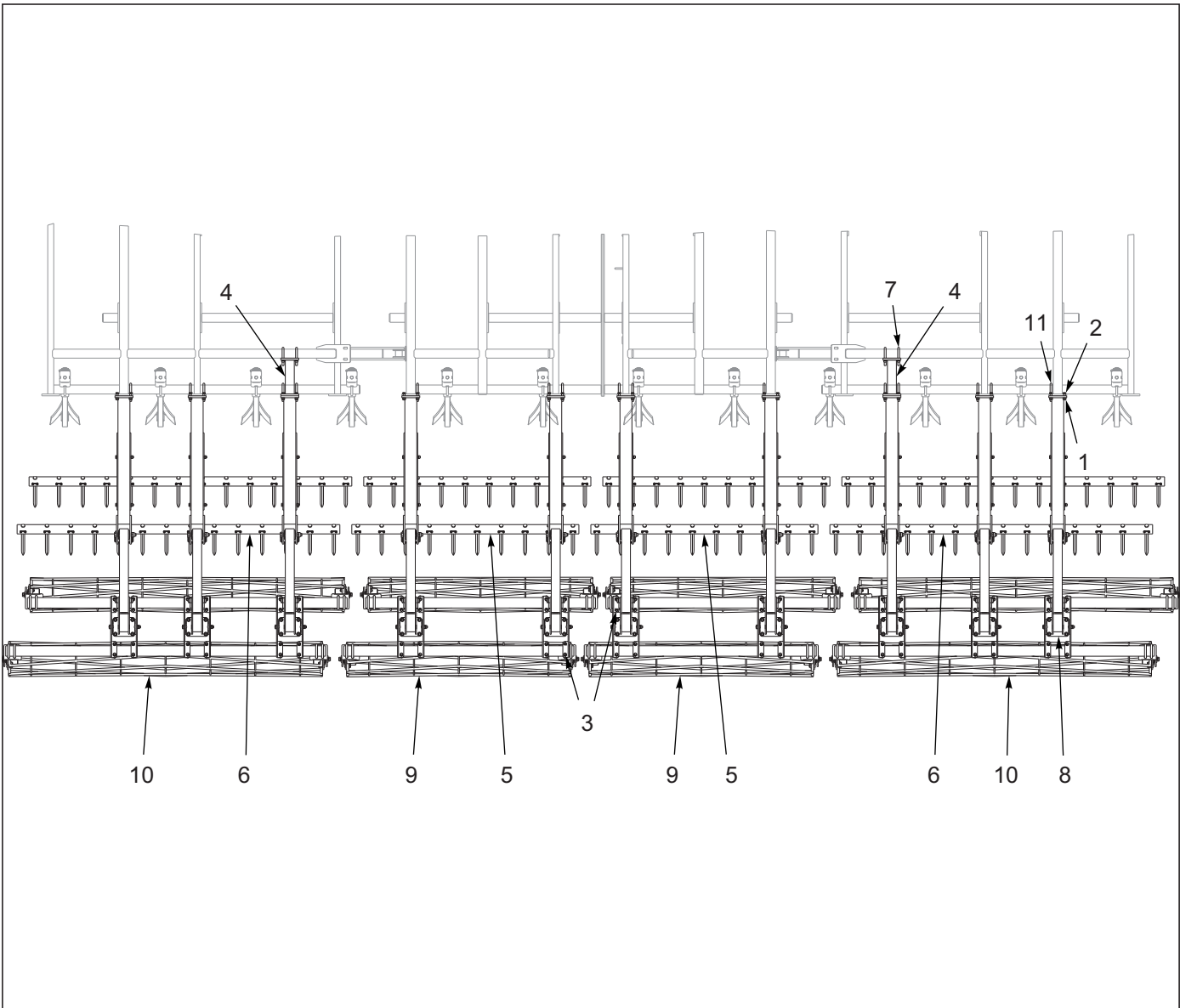


Figure 1-116: Spike & Double Reel - 30'

Spike & Double Reel - 30'

ITEM	PART NO.	DESCRIPTION	QTY.
--	187592	SPIKE/DOUBLE REEL ASSY 8530-30	
1	1-512-010005-13	NUT,HEX SLFLKG GRB 5/8-11	68
2	1-654-010059-05	SCREW,HEX CAP,5/8-11UNCX2 GR5	28
3	1-654-010059-15	SCREW,HEX CAP,5/8-11UNCX5 GR5	4
4	189400	EXTENSION WLDMT HARROW ARM	2
5	189417	SPIKE BAR ASSY 10 TOOTH (SEE PAGE 1-173)	4
6	189421	SPIKE BAR ASSY 14 TOOTH (SEE PAGE 1-173)	4
7	2-102-010032	U BOLT CENTER SHANK MT.	4
8	200240	HARROW ARM ASSY DOUBLE REEL (SEE PAGE 1-171)	10
9	200254	REEL ASSY 12 DIA X 75" (SEE PAGE 1-145)	4
10	200256	REEL ASSY 12 DIA X 105" (SEE PAGE 1-145)	4
11	6-102-010009	U-BOLT RIGID GA WHEEL	16

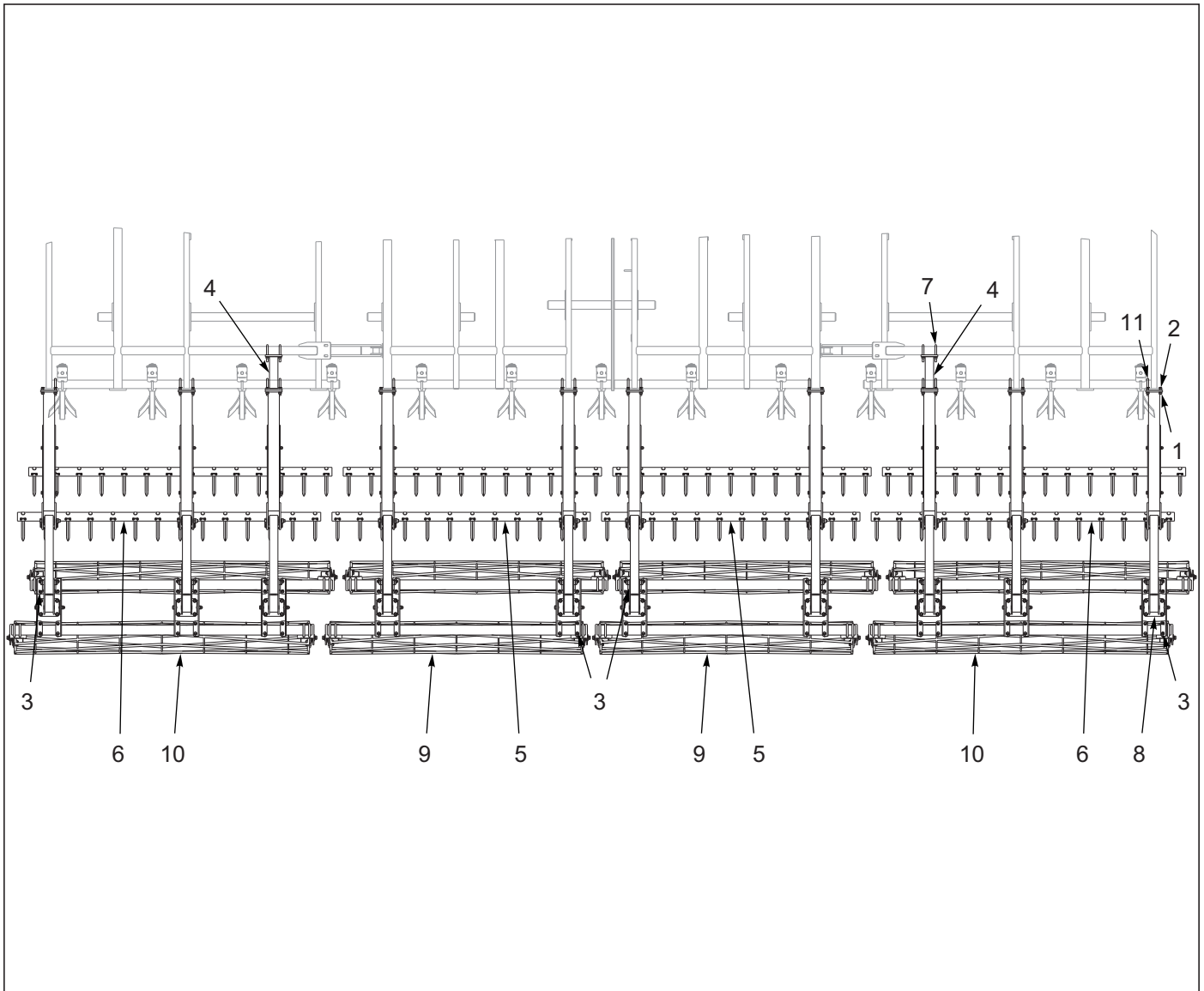


Figure 1-117: Spike & Double Reel - 33'

Spike & Double Reel - 33'

ITEM	PART NO.	DESCRIPTION	QTY.
--	194694	SPIKE/DOUBLE REEL ASSY 8530-33	
1	1-512-010005-13	NUT,HEX SLFLKG GRB 5/8-11	68
2	1-654-010059-05	SCREW,HEX CAP,5/8-11UNCX2 GR5	28
3	1-654-010059-15	SCREW,HEX CAP,5/8-11UNCX5 GR5	8
4	189400	EXTENSION WLDMT HARROW ARM	2
5	189419	SPIKE BAR ASSY 12 TOOTH (SEE PAGE 1-173)	4
6	189421	SPIKE BAR ASSY 14 TOOTH (SEE PAGE 1-173)	4
7	2-102-010032	U BOLT CENTER SHANK MT.	4
8	200240	HARROW ARM ASSY DOUBLE REEL (SEE PAGE 1-171)	10
9	200255	REEL ASSY 12 DIA X 90 (SEE PAGE 1-145)	4
10	200256	REEL ASSY 12 DIA X 105 (SEE PAGE 1-145)	4
11	6-102-010009	U-BOLT RIGID GA WHEEL	16

ILLUSTRATED PARTS LIST

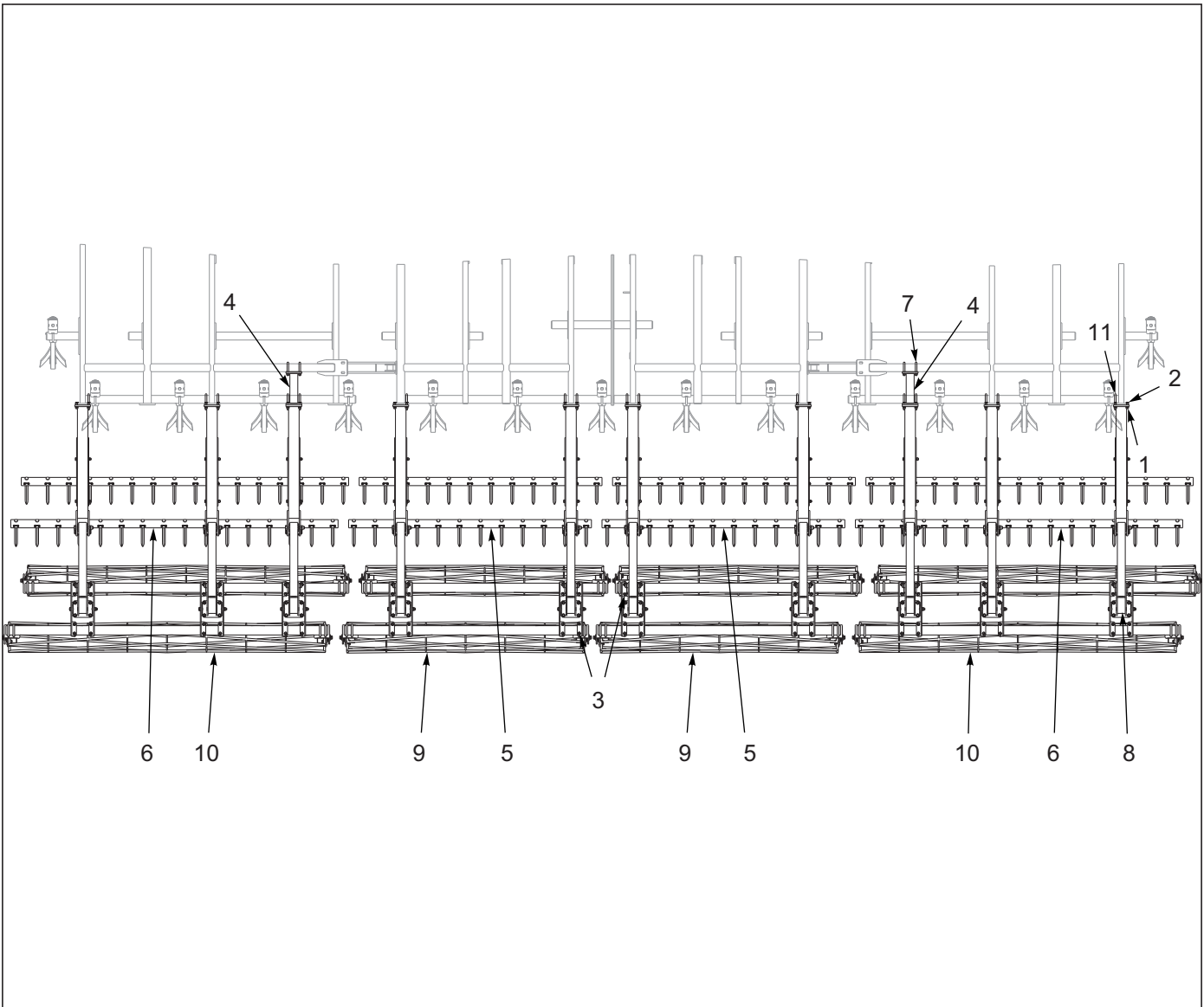


Figure 1-118: Spike & Double Reel - 35'

Spike & Double Reel - 35'

ITEM	PART NO.	DESCRIPTION	QTY.
--	203099	SPIKE/DOUBLE REEL ASSY 8530-35	
1	1-512-010005-13	NUT,HEX SLFLKG GRB 5/8-11	68
2	1-654-010059-05	SCREW,HEX CAP,5/8-11UNCX2 GR5	28
3	1-654-010059-15	SCREW,HEX CAP,5/8-11UNCX5 GR5	4
4	189400	EXTENSION WLDMT HARROW ARM	2
5	189419	SPIKE BAR ASSY 12 TOOTH (SEE PAGE 1-173)	4
6	189423	SPIKE BAR ASSY 16 TOOTH (SEE PAGE 1-173)	4
7	189433	U-BOLT, 5/8X6-11/16X4-1/2	4
8	200240	HARROW ARM ASSY DOUBLE REEL (SEE PAGE 1-171)	10
9	200255	REEL ASSY 12 DIA X 90 (SEE PAGE 1-145)	4
10	200257	REEL ASSY 12 DIA X 120 (SEE PAGE 1-145)	4
11	6-102-010009	U-BOLT RIGID GA WHEEL	16

ILLUSTRATED PARTS LIST

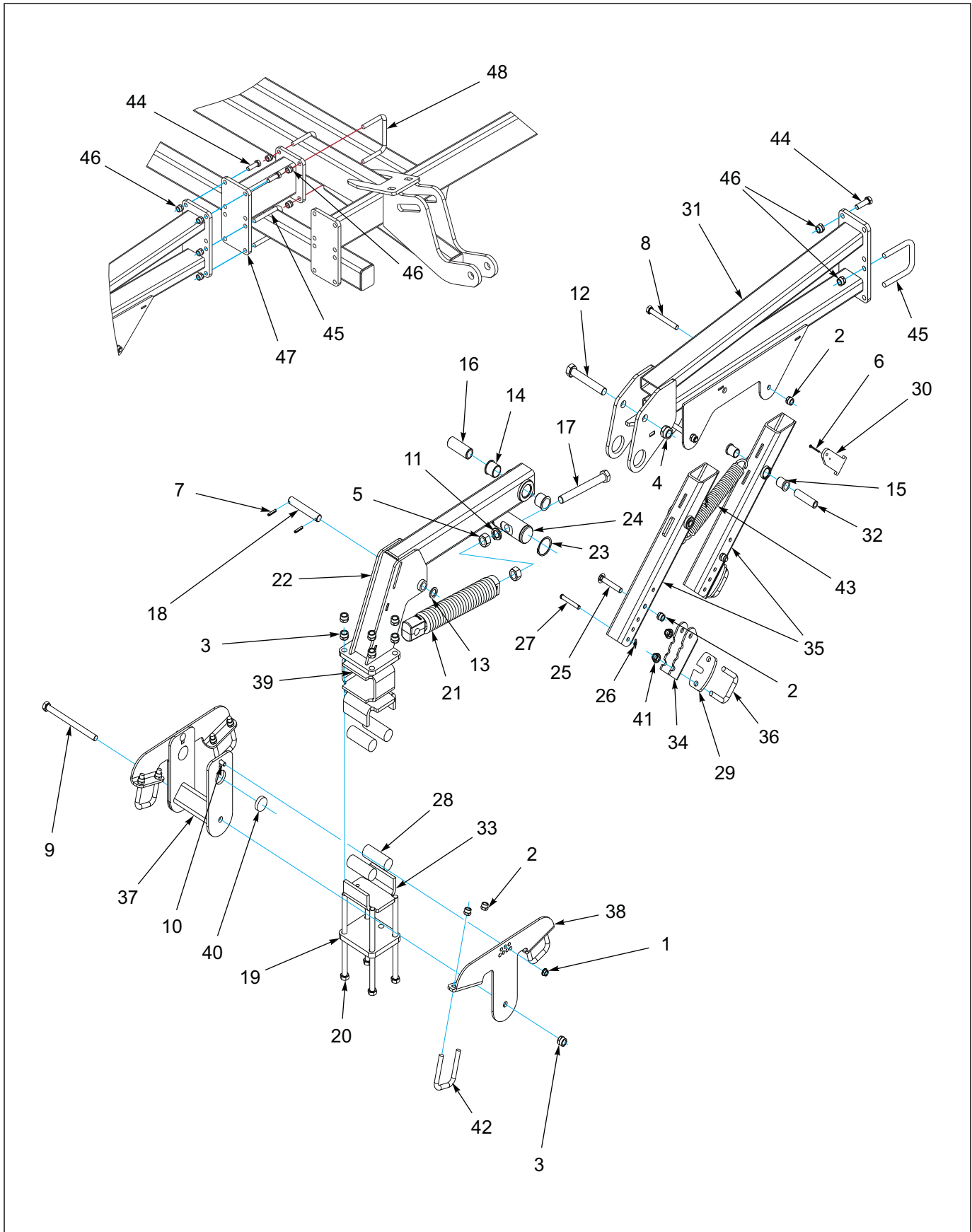


Figure 1-119: Harrow Arm Assembly - Double Reel

Harrow Arm Assembly - Double Reel

ITEM	PART NO.	DESCRIPTION	QTY.
--	200240	HARROW ARM ASSY DOUBLE REEL	
1	1-510-010003-09	NUT,1/2-13 FLANGE HD,SERRATED	2
2	1-512-010005-13	NUT,HEX SLFLKG GRB 5/8-11	12
3	1-512-010005-15	NUT,HEX,SLFLKG GRB 3/4-10	9
4	1-512-010005-19	NUT 1-8 HEX SLF-LOCKING GRB	1
5	1-512-010007-14	NUT, HEX 1-8 GR2 ZP	2
6	1-557-010362-51	PIN, COTTER 3/16X1-1/2	2
7	1-647-010004236	SPRING PIN,SLOTTED 5/16X1-1/2	2
8	1-654-010059-16	SCREW,HEX CAP,5/8-11UNCX5.50	2
9	1-654-010061-25	SCREW,HX CP 3/4-10UNCX10 GR5	1
10	1-654-010070-02	SCREW 1/2-13X1-1/4 RD HD SQNK	2
11	1-861-010034-21	WASHER, LKG HEL SPRG 1IN	1
12	100829	SCREW,HEX CAP,1-8X6-1/2,GR5	12
13	117957	MACHINERY BUSHING,ZINC PLATED	1
14	140599	BEARING, FLANGE 1-1/2	2
15	144264	BEARING FLANGE	4
16	152209	BUSHING, PIVOT 1-1/2	1
17	152210	BOLT, ADJ, 1 X 9	1
18	154392	PIN,PIVOT	1
19	154748	PLATE, GANGBAR MOUNT	1
20	155344	SCREW HX CP 3/4-10UNCX13 GR5B	4
21	158795	SPRING ASSY, 17"	1
22	158847	ARM WLDMT REEL	1
23	158896	SNAP RING, 2-1/2 SHAFT	2
24	158897	PIN, ADJUSTMENT	1
25	166241	SCREW,RDHD SQNCK, 5/8-11X4	2
26	172673	WRAP AROUND LOCKING COTTER	2
27	176625	PIN, CLEVIS 1/2 X 3-1/2	2
28	184713	SPRING, TORSION 1-3/4	4
29	187571	CLAMP PLATE, SPIKE BAR	2
30	187575	HOOK, CHAIN	2
31	187577	HARROW ARM, DOUBLE REEL	1
32	187584	BUSHING, SPIKE ARM	2
33	187585	TUBE, CLAMP	2
34	193030	CLAMP, SPIKE HARROW	2
35	193031	ARM WLDMT SPIKE	2
36	194693	U-BOLT, 5/8 X 3-11/16 X 3-3/4	2
37	200233	MOUNT WLDMT, ADJ	1
38	200236	PLATE, REEL ADJ	2
39	200237	TUBE, SPACER	1
40	203138	SLIDE, BLOCK	2
41	29SFFL 5811	NUT,FLANGE HEAD LOCK5/8-11UNC	4
42	8-102-010012	U BOLT	4
43	8-720-010011	HARROW SPRING	1
44	1-654-010059-05	SCREW,HEX CAP,5/8-11UNCX2 GR5	2
45	6-102-010009	U-BOLT RIGID GA WHEEL	2
46	1-512-010005-13	NUT,HEX SLFLKG GRB 5/8-11	6
47	189400	EXTENSION WLDMT HARROW ARM (MODELS 8530 30'-35')	2
48	189433	U-BOLT, 5/8X6-11/16X4-1/2(MODELS 8530 30'-35')	4

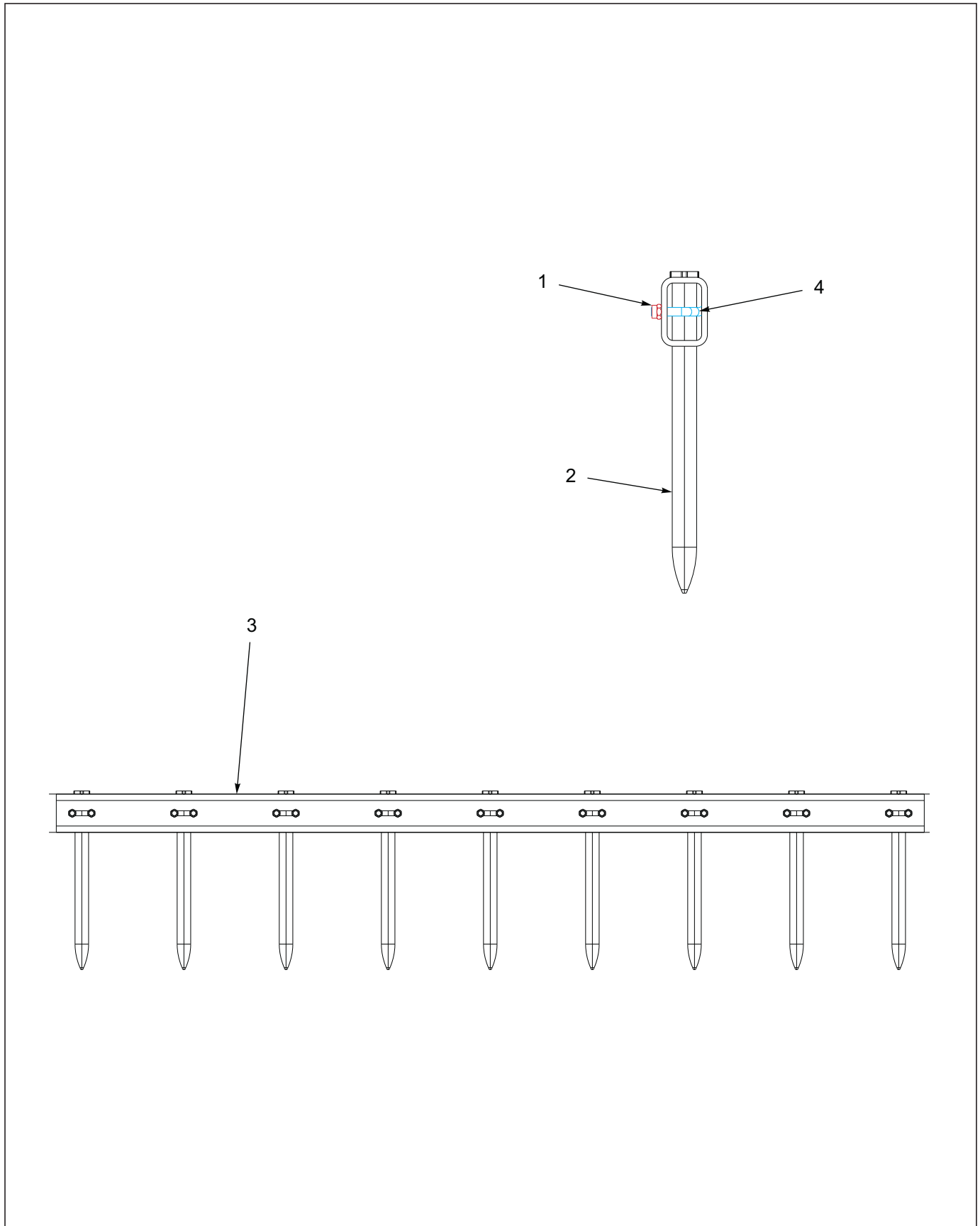


Figure 1-120: Spike Bar Assembly, 7-16 Tooth, Tube

Spike Bar Assembly, 7-16 Tooth, Tube

ITEM	PART NO.	DESCRIPTION	QTY.									
--	189414	SPIKE BAR ASSY 7 TOOTH	*									
--	189415	SPIKE BAR ASSY 8 TOOTH	*									
--	189416	SPIKE BAR ASSY 9 TOOTH	*									
--	189417	SPIKE BAR ASSY 10 TOOTH	*									
--	189419	SPIKE BAR ASSY 12 TOOTH	*									
--	189420	SPIKE BAR ASSY 13 TOOTH	*									
--	189421	SPIKE BAR ASSY 14 TOOTH	*									
--	189423	SPIKE BAR ASSY 16 TOOTH	*									
1	1-512-010005-05	NUT, HEX, SLFLKG, 3/8-16, UNC GRB	14	16	18	20	24	26	28	32		
2	166148	SPIKE, TOOTH, 3/4 SQ X 14	7	8	9	10	12	13	14	16		
3	189401	SPIKE BAR, 7 TOOTH 52	1	--	--	--	--	--	--	--	--	
3	189402	SPIKE BAR, 8 TOOTH 60	--	1	--	--	--	--	--	--	--	
3	189403	SPIKE BAR, 9 TOOTH 68	--	--	1	--	--	--	--	--	--	
3	189404	SPIKE BAR, 10 TOOTH 76	--	--	--	1	--	--	--	--	--	
3	189406	SPIKE BAR, 12 TOOTH 92	--	--	--	--	1	--	--	--	--	
3	189407	SPIKE BAR, 13 TOOTH 100	--	--	--	--	--	1	--	--	--	
3	189408	SPIKE BAR, 14 TOOTH 108	--	--	--	--	--	--	1	--	--	
3	189410	SPIKE BAR, 16 TOOTH 124	--	--	--	--	--	--	--	1	--	
4	8-102-010017	U-BOLT, SPIKE ANCHOR	7	8	9	10	12	13	14	16		

Chopper & 3 Row Spikes

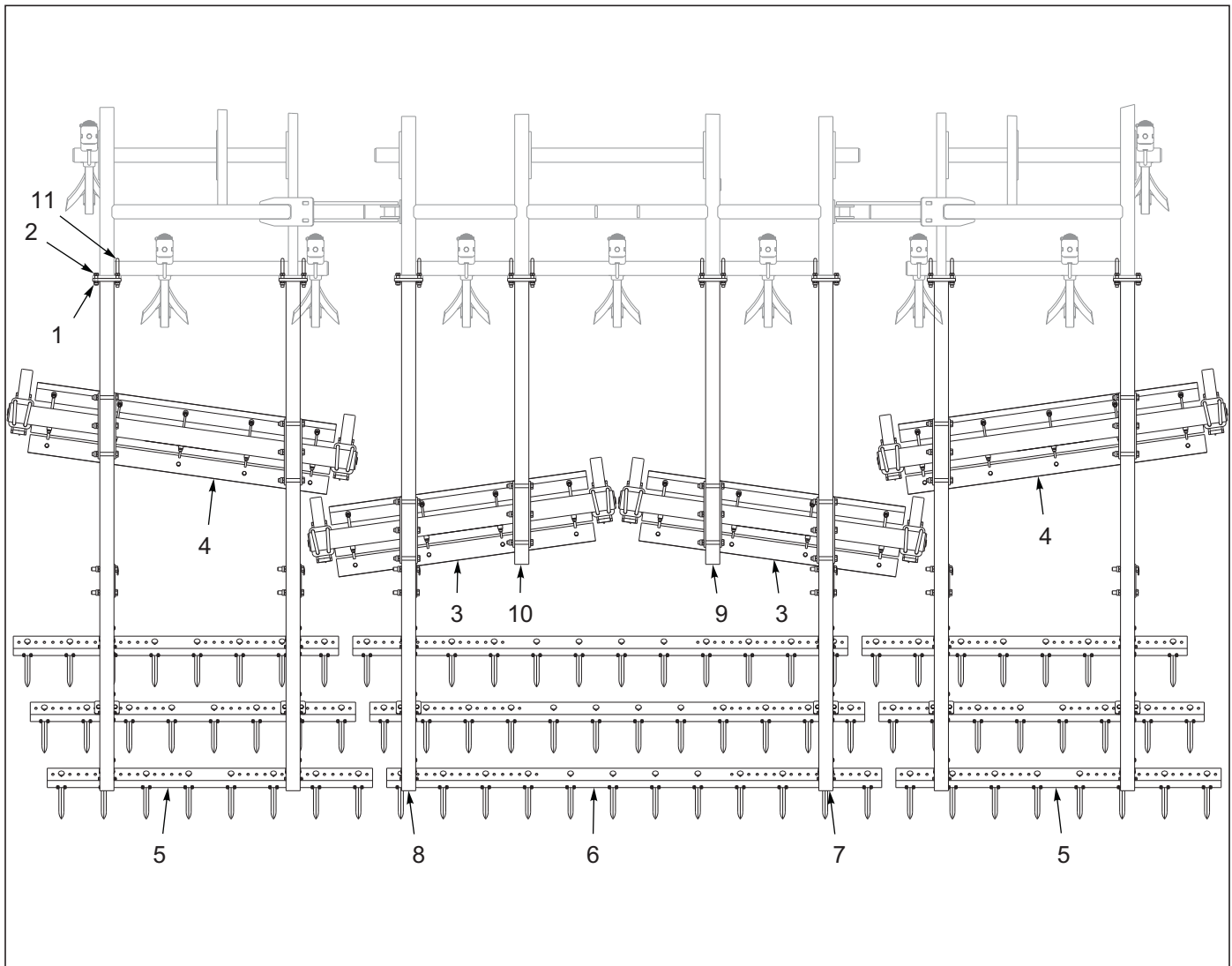


Figure 1-121: Chopper & 3 Row Spike - 19'

Chopper & 3 Row Spike - 19'

ITEM	PART NO.	DESCRIPTION	QTY.
--	186218	CHOPPER & 3 ROW SPIKE, 8530-19'	
1	1-512-010005-13	NUT, HEX, SLFLKG, 5/8-11 UNC, GRB	48
2	1-654-010059-05	SCREW, HEX CAP, 5/8-11 UNC X 2 GR5	24
3	154406	REEL/GANGBAR ASSY, 55" (SEE PAGE 1-187)	2
4	180304	REEL/GANGBAR ASSY, 64 (SEE PAGE 1-187)"	2
5	186187	SPIKE BAR ASSY, 8 TOOTH, 9SP (SEE PAGE 1-157)	6
6	186191	SPIKE BAR ASSY, 12 TOOTH, 9SP (SEE PAGE 1-157)	3
7	187548	ARM ASSY, CHOPPER REEL RT (SEE PAGE 1-183)	3
8	187549	ARM ASSY, CHOPPER REEL LT (SEE PAGE 1-183)	3
9	187553	ARM ASSY, CHOPPER REEL RT, W/O CHAIN (SEE PAGE 1-185)	1
10	187554	ARM ASSY, CHOPPER REEL LT, W/O CHAIN (SEE PAGE 1-185)	1
11	6-102-010009	U-BOLT, RIGID GAUGE WHEEL	12

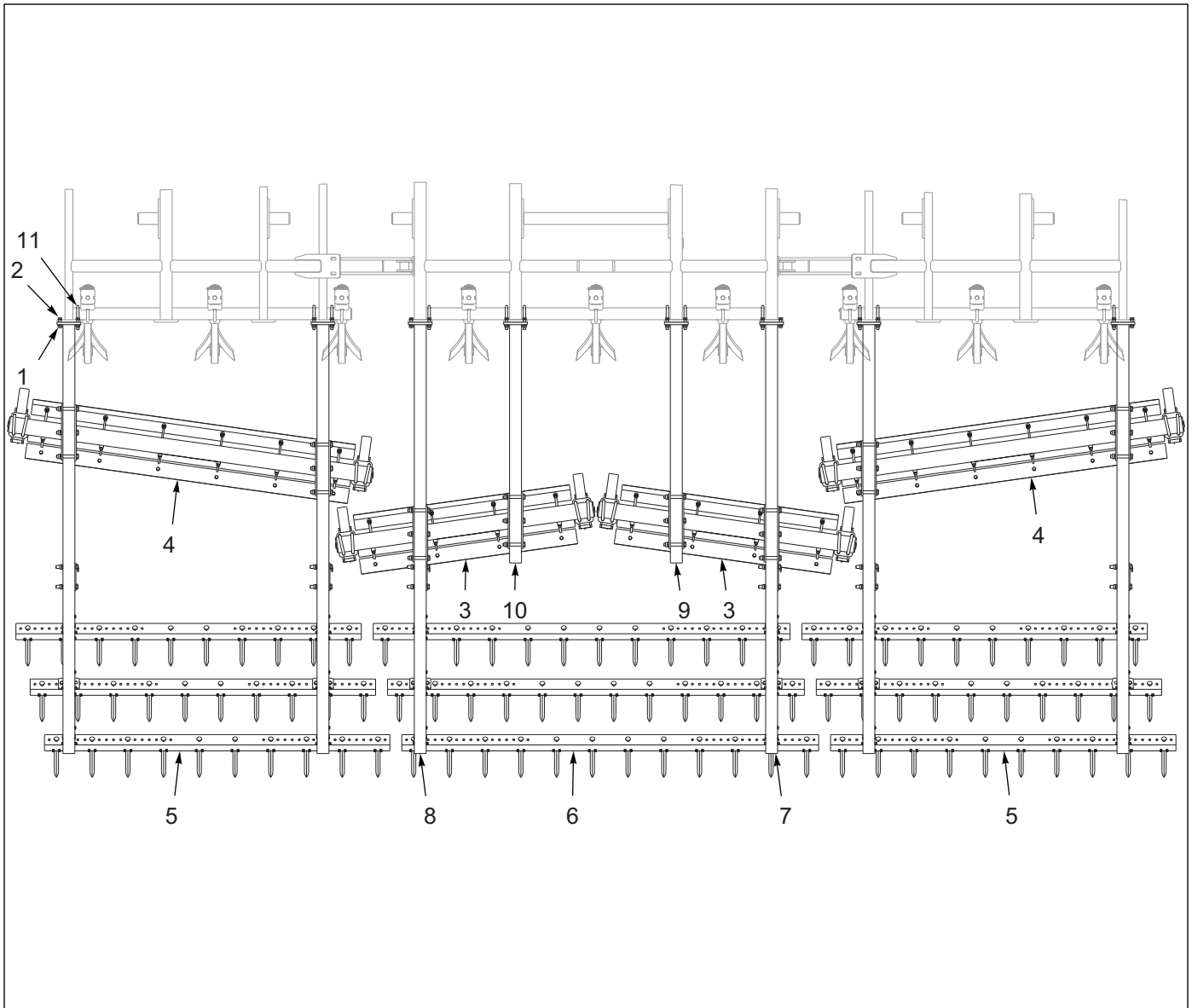


Figure 1-122: Chopper & 3 Row Spike - 22'

Chopper & 3 Row Spike - 22'

ITEM	PART NO.	DESCRIPTION	QTY.
--	186227	CHOPPER & 3 ROW SPIKE, 8530-22'	
1	1-512-010005-13	NUT, HEX, SLFLKG, 5/8-11 UNC, GRB	48
2	1-654-010059-05	SCREW, HEX CAP, 5/8-11 UNC X 2 GR5	24
3	154406	REEL/GANGBAR ASSY, 55" (SEE PAGE 1-187)	2
4	154407	REEL/GANGBAR ASSY, 82" (SEE PAGE 1-187)	2
5	186189	SPIKE BAR ASSY, 10 TOOTH, 10SP (SEE PAGE 1-157)	6
6	186191	SPIKE BAR ASSY, 12 TOOTH, 9SP (SEE PAGE 1-157)	3
7	187548	ARM ASSY, CHOPPER REEL RT (SEE PAGE 1-183)	3
8	187549	ARM ASSY, CHOPPER REEL LT (SEE PAGE 1-183)	3
9	187553	ARM ASSY, CHOPPER REEL RT, W/O CHAIN (SEE PAGE 1-185)	1
10	187554	ARM ASSY, CHOPPER REEL LT, W/O CHAIN (SEE PAGE 1-185)	1
11	6-102-010009	U-BOLT, RIGID GAUGE WHEEL	12

ILLUSTRATED PARTS LIST

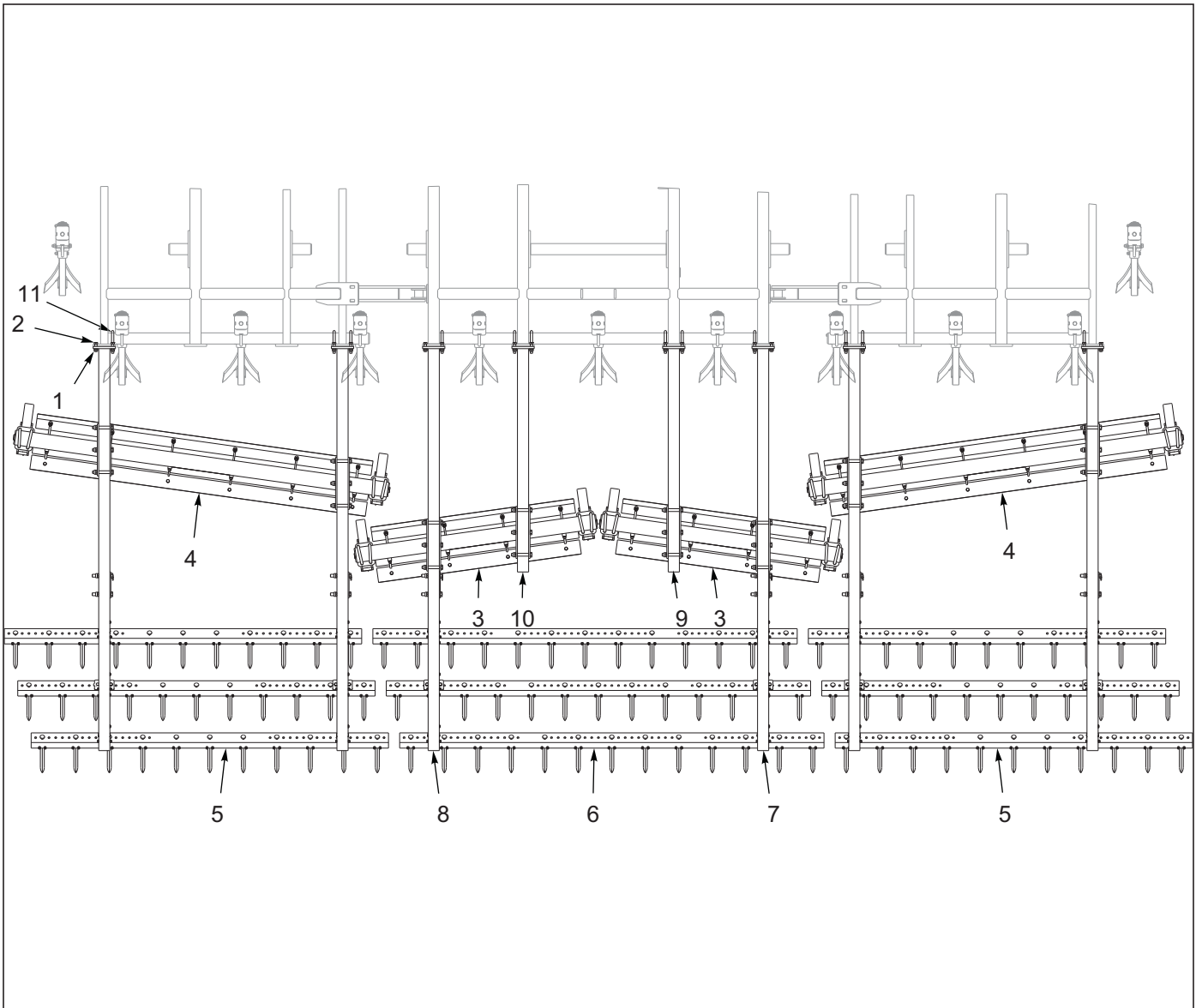


Figure 1-123: Chopper & 3 Row Spike - 25'

Chopper & 3 Row Spike - 25'

ITEM	PART NO.	DESCRIPTION	QTY.
--	185671	CHOPPER & 3 ROW SPIKE, 8530-25'	
1	1-512-010005-13	NUT, HEX, SLFLKG, 5/8-11 UNC, GRB	48
2	1-654-010059-05	SCREW, HEX CAP, 5/8-11 UNC X 2 GR5	24
3	154406	REEL/GANGBAR ASSY, 55" (SEE PAGE 1-187)	2
4	154409	REEL/GANGBAR ASSY, 91" (SEE PAGE 1-187)	2
5	186190	SPIKE BAR ASSY, 11 TOOTH, 9SP (SEE PAGE 1-157)	6
6	186192	SPIKE BAR ASSY, 13 TOOTH, 9SP (SEE PAGE 1-157)	3
7	187548	ARM ASSY, CHOPPER REEL RT (SEE PAGE 1-183)	3
8	187549	ARM ASSY, CHOPPER REEL LT (SEE PAGE 1-183)	3
9	187553	ARM ASSY, CHOPPER REEL RT, W/O CHAIN (SEE PAGE 1-185)	1
10	187554	ARM ASSY, CHOPPER REEL LT, W/O CHAIN (SEE PAGE 1-185)	1
11	6-102-010009	U-BOLT, RIGID GAUGE WHEEL	12

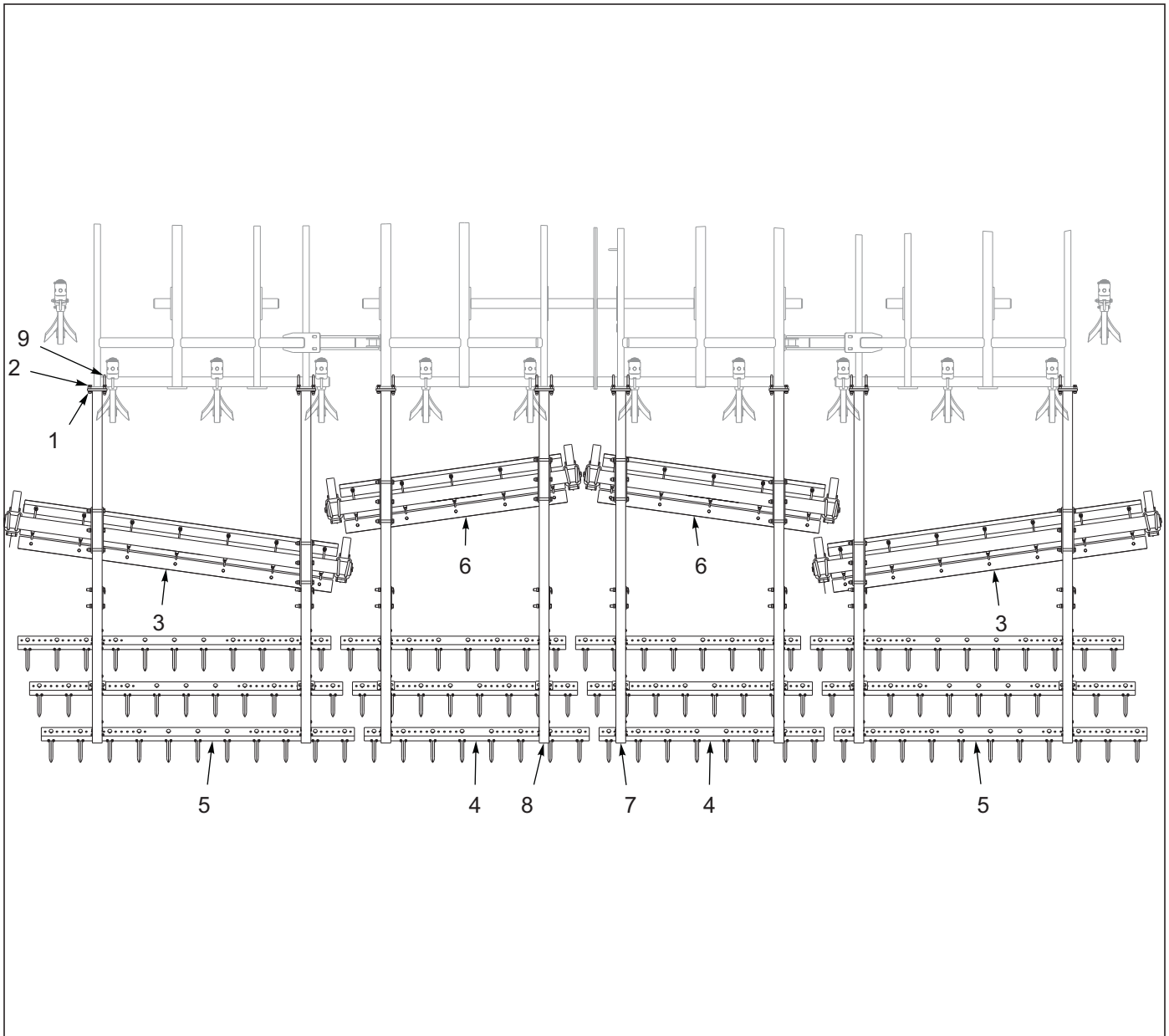


Figure 1-124: Chopper & 3 Row Spike - 27'

Chopper & 3 Row Spike - 27'

ITEM	PART NO.	DESCRIPTION	QTY.
--	186255	CHOPPER & 3 ROW SPIKE, 8530-27'	
1	1-512-010005-13	NUT, HEX, SLFLKG, 5/8-11 UNC, GRB	48
2	1-654-010059-05	SCREW, HEX CAP, 5/8-11 UNC X 2 GR5	24
3	172529	REEL/GANGBAR ASSY, 97" (SEE PAGE 1-187)	2
4	186187	SPIKE BAR ASSY, 8 TOOTH, 9SP (SEE PAGE 1-157)	6
5	186190	SPIKE BAR ASSY, 11 TOOTH, 9SP (SEE PAGE 1-157)	6
6	187511	REEL/GANGBAR ASSY, 68-1/2" (SEE PAGE 1-187)	2
7	187548	ARM ASSY, CHOPPER REEL RT (SEE PAGE 1-183)	4
8	187549	ARM ASSY, CHOPPER REEL LT (SEE PAGE 1-183)	4
9	6-102-010009	U-BOLT, RIGID GAUGE WHEEL	12

ILLUSTRATED PARTS LIST

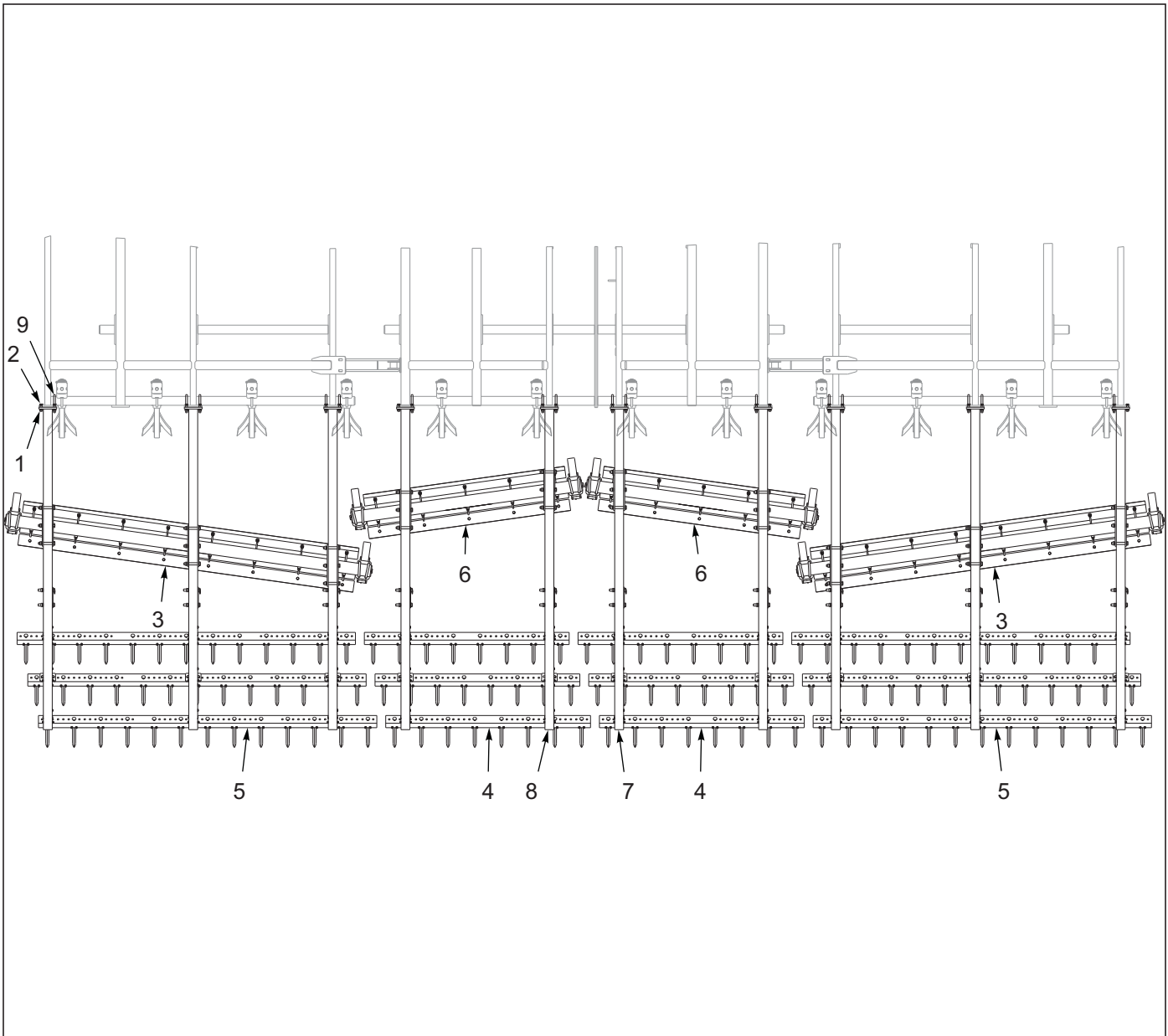


Figure 1-125: Chopper & 3 Row Spike - 30'

Chopper & 3 Row Spike - 30'

ITEM	PART NO.	DESCRIPTION	QTY.
--	186266	CHOPPER & 3 ROW SPIKE, 8530-30'	
1	1-512-010005-13	NUT, HEX, SLFLKG, 5/8-11 UNC, GRB	60
2	1-654-010059-05	SCREW, HEX CAP, 5/8-11 UNC X 2 GR5	24
3	154410	REEL/GANGBAR ASSY, 114" (SEE PAGE 1-187)	2
4	186187	SPIKE BAR ASSY, 8 TOOTH, 9SP (SEE PAGE 1-157)	6
5	186192	SPIKE BAR ASSY, 13 TOOTH, 9SP (SEE PAGE 1-157)	6
6	187511	REEL/GANGBAR ASSY, 68-1/2" (SEE PAGE 1-187)"	2
7	187548	ARM ASSY, CHOPPER REEL RT (SEE PAGE 1-183)	5
8	187549	ARM ASSY, CHOPPER REEL LT (SEE PAGE 1-183)	5
9	6-102-010009	U-BOLT, RIGID GAUGE WHEEL	16

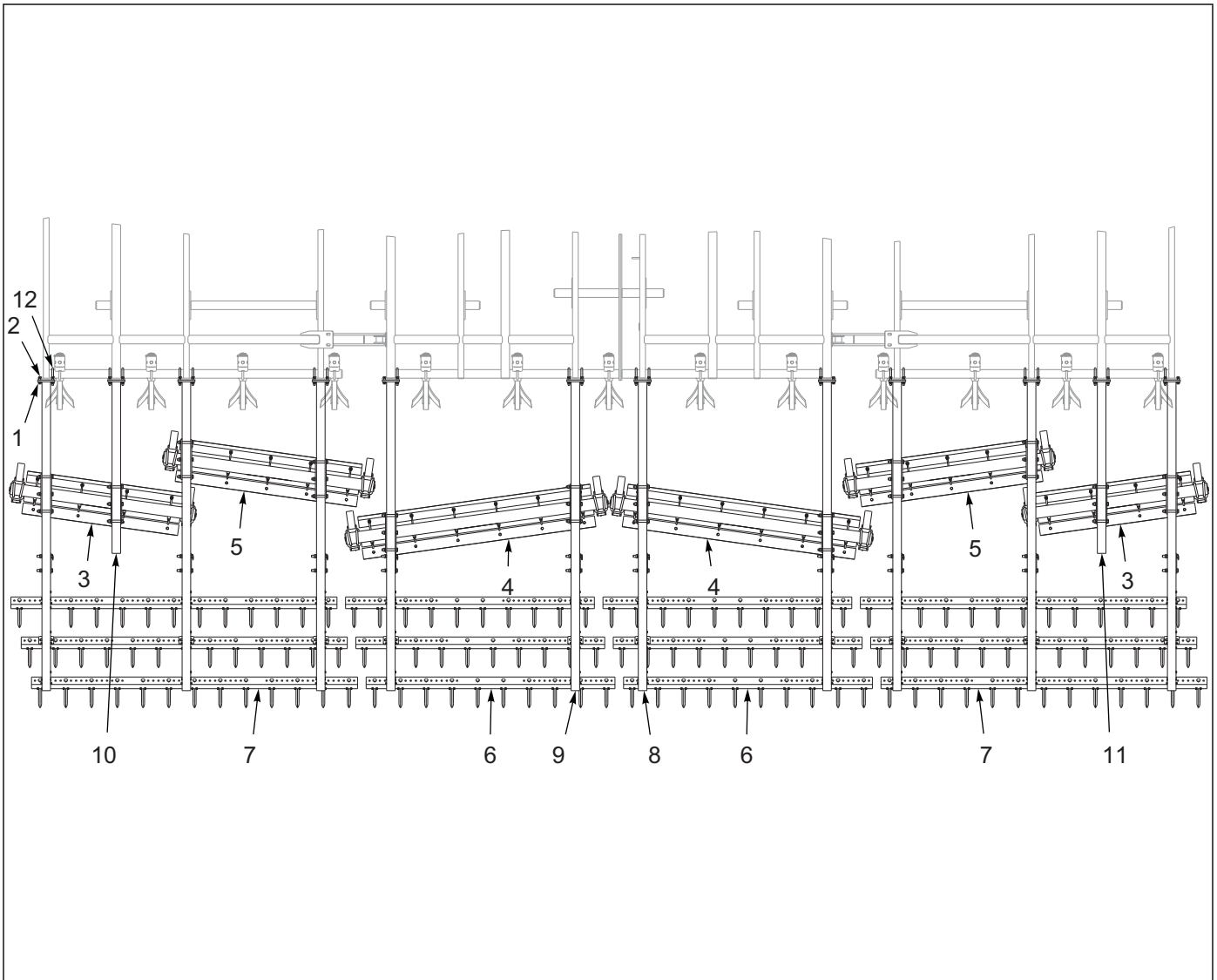


Figure 1-126: Chopper & 3 Row Spike - 33'

Chopper & 3 Row Spike - 33'

ITEM	PART NO.	DESCRIPTION	QTY.
--	187550	CHOPPER & 3 ROW SPIKE, 8530-33'	
1	1-512-010005-13	NUT, HEX, SLFLKG, 5/8-11 UNC, GRB	72
2	1-654-010059-05	SCREW, HEX CAP, 5/8-11 UNC X 2 GR5	32
3	154406	REEL/GANGBAR ASSY, 55" (SEE PAGE 1-187)	2
4	154407	REEL/GANGBAR ASSY, 82" (SEE PAGE 1-187)	2
5	180304	REEL/GANGBAR ASSY, 64" (SEE PAGE 1-187)	2
6	186189	SPIKE BAR ASSY, 10 TOOTH, 10SP (SEE PAGE 1-185)	6
7	186192	SPIKE BAR ASSY, 13 TOOTH, 9SP (SEE PAGE 1-157)	6
8	187548	ARM ASSY, CHOPPER REEL RT (SEE PAGE 1-183)	5
9	187549	ARM ASSY, CHOPPER REEL LT (SEE PAGE 1-183)	5
10	187553	ARM ASSY, CHOPPER REEL RT, W/O CHAIN (SEE PAGE 1-185)	1
11	187554	ARM ASSY, CHOPPER REEL LT, W/O CHAIN (SEE PAGE 1-185)	1
12	6-102-010009	U-BOLT, RIGID GAUGE WHEEL	20

ILLUSTRATED PARTS LIST

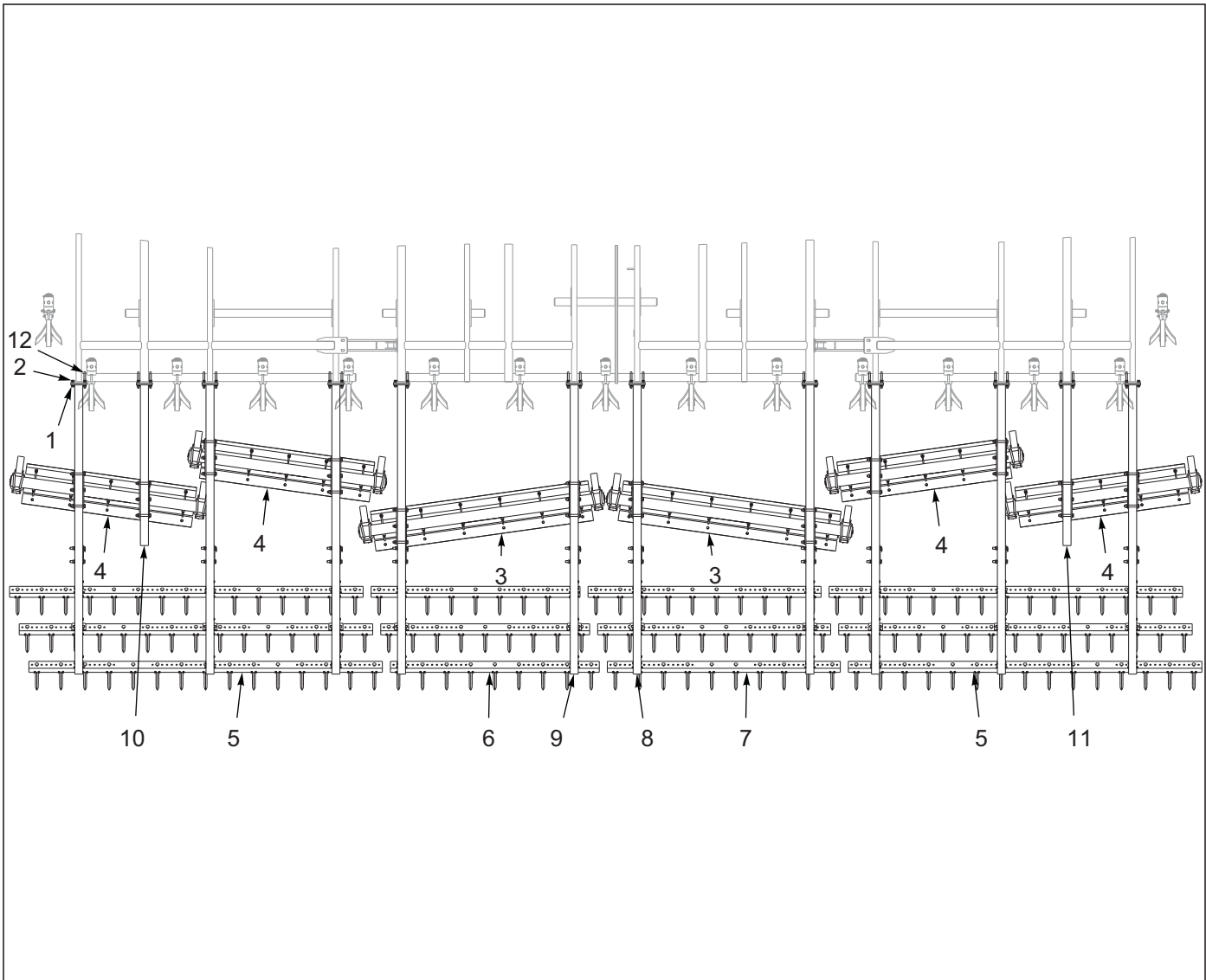


Figure 1-127: Chopper & 3 Row Spike - 35'

Chopper & 3 Row Spike - 35'

ITEM	PART NO.	DESCRIPTION	QTY.
--	179837	CHOPPER & 3 ROW SPIKE, 8530-35'	
1	1-512-010005-13	NUT, HEX, SLFLKG, 5/8-11 UNC, GRB	72
2	1-654-010059-05	SCREW, HEX CAP, 5/8-11 UNC X 2 GR5	32
3	154407	REEL/GANGBAR ASSY, 82" (SEE PAGE 1-187)	2
4	180304	REEL/GANGBAR ASSY, 64" (SEE PAGE 1-187)	4
5	186174	SPIKE BAR ASSY, 15 TOOTH, 9SP (SEE PAGE 1-185)	6
6	186188	SPIKE BAR ASSY, 9 TOOTH, 9SP (SEE PAGE 1-185)	3
7	186189	SPIKE BAR ASSY, 10 TOOTH, 10SP (SEE PAGE 1-185)	3
8	187548	ARM ASSY, CHOPPER REEL RT (SEE PAGE 1-183)	5
9	187549	ARM ASSY, CHOPPER REEL LT (SEE PAGE 1-183)	5
10	187553	ARM ASSY, CHOPPER REEL RT, W/O CHAIN (SEE PAGE 1-185)	1
11	187554	ARM ASSY, CHOPPER REEL LT, W/O CHAIN (SEE PAGE 1-185)	1
12	6-102-010009	U-BOLT, RIGID GAUGE WHEEL	20

Arm Assembly - Chopper Reel

ITEM	PART NO.	DESCRIPTION	QTY.
--	187548	ARM ASSEMBLY, CHOPPER REEL RT	
--	187549	ARM ASSEMBLY, CHOPPER REEL LT	
1	1-512-010005-05	NUT, HEX, SLFLKG GRB 3/8-16	3
2	1-512-010005-15	NUT, HEX, SLFLKG GRB 3/4-10	9
3	1-512-010005-19	NUT, 1-8 HEX, SLF-LOCKING GRB	2
4	1-654-010051-11	SCREW, HEX CP, 3/8-16 X 2-1/2 G5ZP	3
5	1-654-010055-02	SCREW, 1/2-13 UNC X 1-1/4, CP GR5	2
6	1-654-010055-05	SCREW, HEX CAP, 1/2-13 UNC X 2 GR5	1
7	1-654-010055-09	SCREW, HEX CAP, 1/2-13, UNC X 3 GR5	2
8	1-654-010061-15	SCREW, HEX CAP, 3/4-10, UNC X 5 GR5	9
9	101988	NUT,HEX, SLF-LKG, 7/16-14 GRB	3
10	141808	SCREW, HEX CAP, 7/16-14 UNC X 3-1/2G5	3
11	151528	SCREW, HEX CAP, 1-8 UNC X 2-1/2 GR5	2
12	166242	CHAIN, PULL, 3/8	1
13	168764	CHAIN, 17 LINK, 1/4	3
14	172509	NUT,1/2-13 WIDE FLNG TOP LCK F	5
15	172673	WRAP AROUND LOCKING COTTER	2
16	179839	CLAMP PLATE, REEL MOUNT	2
17	179840	MOUNT, REEL RIGHT (USED WITH 187548)	1
17	179841	MOUNT, REEL LEFT (USED WITH 187549)	1
18	179842	MOUNT, REEL CLAMP RIGHT (USED WITH 187548)	1
18	179843	MOUNT, REEL CLAMP LEFT (USED WITH 187549)	1
19	179844	WASHER, 1 SQ	4
20	179846	HARROW ARM, CHOPPER REEL	1
21	179848	BRACKET, PULL CHAIN	1
22	186193	CLAMP PLATE, SPIKE BAR	2
23	186200	MOUNT, HARROW BAR W/TABS	1
24	186204	MOUNT, HARROW BAR	2
25	186205	PLATE, BAR CLAMP	4
26	186207	LINK, HARROW BAR	2
27	186210	CONNECTOR, PULL CHAIN	2
28	187517	SCREW, RDHD SHT SQNK, 5/8-11 X 2.75	5
29	2-557-010009	PIN, LYNCH	1
30	29SFFL 5811	NUT, HEX, SLFLKG, GRB 3/8-16	5
31	8C520	CLEVIS PIN	2
32	1-654-010059-05	SCREW,HEX CAP,5/8-11UNCX2 GR5	
33	6-102-010009	U-BOLT RIGID GA WHEEL	
34	1-512-010005-13	NUT,HEX SLFLKG GRB 5/8-11	

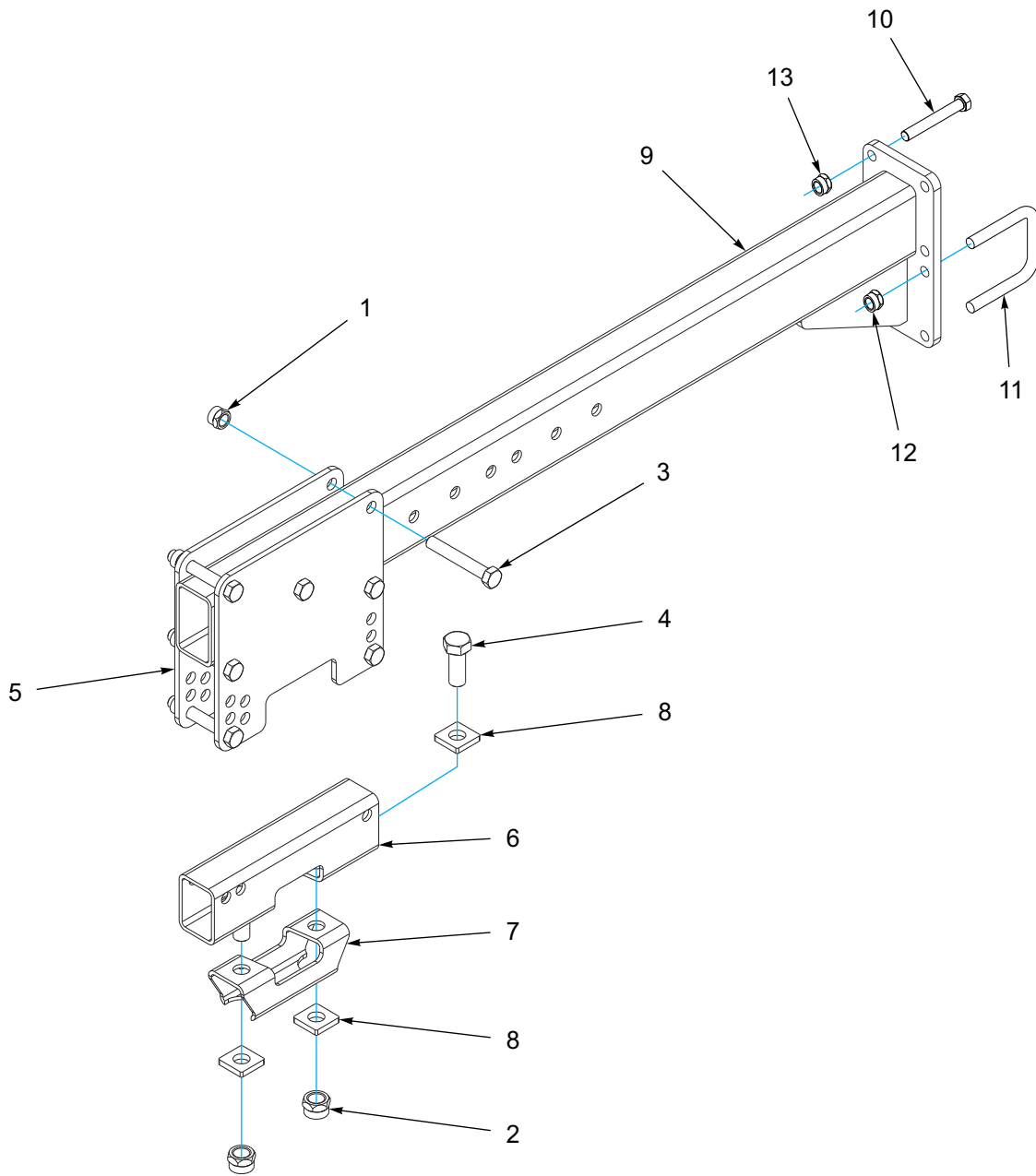


Figure 1-129: Arm Assembly - Chopper Reel w/o Chain

Arm Assembly - Chopper Reel w/o Chain

ITEM	PART NO.	DESCRIPTION	QTY.
--	187553	ARM ASSEMBLY, CHOPPER REEL RT, W/OUT CHAIN	
--	187554	ARM ASSEMBLY, CHOPPER REEL LT, W/OUT CHAIN	
1	1-512-010005-15	NUT, HEX, SLFLKG GRB 3/4-10	7
2	1-512-010005-19	NUT, 1-8 HEX, SLF-LOCKING GRB	2
3	1-654-010061-15	SCREW, HEX, 3/4-10 UNC X 5 GR5	7
4	151528	SCREW, HEX, 1-8 UNC X 2-1/2 GR5	2
5	179839	CLAMP PLATE, REEL MOUNT	2
6	179840	MOUNT, REEL RIGHT (USED WITH 187553)	1
6	179841	MOUNT, REEL LEFT (USED WITH 187554)	1
7	179842	MOUNT, REEL CLAMP RIGHT (USED WITH 187553)	1
7	179843	MOUNT, REEL CLAMP LEFT (USED WITH 187554)	1
8	179844	WASHER, 1 SQ	4
9	187551	HARROW ARM, CHOPPER REEL	1
10	1-654-010059-05	SCREW,HEX CAP,5/8-11UNCX2 GR5	
11	6-102-010009	U-BOLT RIGID GA WHEEL	
12	1-512-010005-13	NUT,HEX SLFLKG GRB 5/8-11	

Reel & Gangbar Assembly

ITEM	PART NO.	DESCRIPTION	QTY.
	154406	REEL/GANGBAR ASSY, 55"	
	180304	REEL/GANGBAR ASSY, 64"	
	187511	REEL/GANGBAR ASSY, 68-1/2"	
	154407	REEL/GANGBAR ASSY, 82"	
	154409	REEL/GANGBAR ASSY, 91"	
	172529	REEL/GANGBAR ASSY, 97"	
	154410	REEL/GANGBAR ASSY, 114"	
1	1-512-010005-13	NUT, HEX LOCK 5/8-11 GRB	8
2	1-654-010032-05	SCREW, HEX HEAD CAP 3/4-10 X 2 GR8	4
3	1-861-010034-17	WASHER, SPLIT LOCK 3/4	4
4	1-861-010034-21	WASHER, SPLIT LOCK 1"	2
5	137943	SCREW, HEX, 1-8 X 2-1/4 GR5	2
6	140477	BEARING, DISC 1.775 ID ASSEMBLY	2
7	140479	MOUNT, TRUNNION BEARING	4
8	140480	WASHER, TRUNNION	2
9	148337	ATTACHMENT DECAL, LANDOLL	1
10	153716	SHANK, STRAIGHT, 3/4 X 2-1/2	2
11	154185	WASHER, 3/8	2
12	154186	WASHER, FLAT TOP	2
13	154393	PLATE, SHANK MOUNT	4
14	154652	REEL ASSEMBLY, 55" BLADE (USED WITH 154406)	1
14	180305	REEL ASSEMBLY, 64" BLADE (USED WITH 180304)	1
14	187511	REEL ASSEMBLY, 68-1/2" BLADE (USED WITH 187511)	1
14	154181	REEL ASSEMBLY, 82" BLADE (USED WITH 154407)	1
14	154184	REEL ASSEMBLY, 91" BLADE (USED WITH 154409)	1
14	172528	REEL ASSEMBLY, 97" BLADE (USED WITH 172529)	1
14	154182	REEL ASSEMBLY, 114" BLADE (USED WITH 154410)	1
15	154655	GANG BAR, 65" - REEL, 55" (USED WITH 154406)	1
15	180306	GANG BAR, 64" - REEL, 64" (USED WITH 180304)	1
15	187515	GANG BAR, 68-1/2" - REEL, 68-1/2" (USED WITH 187511)	1
15	154656	GANG BAR, 92" - REEL, 82" (USED WITH 154407)	1
15	154658	GANG BAR, 101" - REEL, 91" (USED WITH 154409)	1
15	155544	GANG BAR, 107" - REEL, 97" (USED WITH 172529)	1
15	154659	GANG BAR, 124" - REEL, 114" (USED WITH 154410)	1
16	6-102-010009	U-BOLT	4

Numerics

100000362	1-95	122910	1-73
100693	1-42, 1-43, 1-45	122911	1-73, 1-85
100825	1-31	122917	1-35
100827	1-111	123096	1-15, 1-39
100829	1-171	123547	1-75, 1-77
100830	1-111	125566	1-88, 1-89
100941	1-31	127712	1-13, 1-15, 1-17, 1-21, 1-23
101988	1-13, 1-19, 1-21, 1-135, 1-159, 1-161, 1-183	128874	1-3, 1-5, 1-7
102498	1-25, 1-27	129263	1-63, 1-145, 1-155
102600	1-15, 1-17, 1-23, 1-25, 1-27	1-298-010001-1 ..	1-13, 1-15, 1-17, 1-21, 1-23, 1-37
102601	1-25	130052	1-13, 1-15, 1-17, 1-21, 1-23
102604	1-25, 1-27	133662	1-65
103841	1-31	133937	1-135
105874	1-98	135421	1-32
1-076-010007	1-28	137599	1-71, 1-73
1-076-010010	1-28	137600	1-83
108628	1-35	137601	1-79
108676	1-65, 1-67	137602	1-75, 1-77
108705	1-63, 1-145, 1-155	137931	1-37
111789	1-88, 1-89, 1-90, 1-91, 1-92, 1-93, 1-94, 1-95	137943	1-187
111871	1-90, 1-92	139139	1-37
111962	1-25, 1-27	139201	1-111, 1-123, 1-159, 1-161
113791	1-39	1-397-010301074	1-69
116100	1-8, 1-9, 1-11, 1-31	1-397-010301084	1-71
116432	1-81	1-397-010301112	1-73
116435	1-71	1-397-010369036	1-79
116489	1-79, 1-81	1-397-010369054	1-81
116491	1-69, 1-71, 1-73	140469	1-33, 1-39
117163	1-85, 1-87	140470	1-69, 1-71, 1-73, 1-93
117260	1-83	140471	1-69, 1-71, 1-73, 1-92
117957	1-171	140477	1-39, 1-187
119118	1-13, 1-15, 1-17, 1-21, 1-23	140479	1-39, 1-187
122909	1-81	140480	1-39, 1-187
		140485	1-39
		140487	1-39

TABLE OF CONTENTS

INDEX

140519	1-13, 1-15, 1-17, 1-19, 1-21, 1-23	142103	1-92
140533	1-3	142109	1-91, 1-93
140548	1-13, 1-19, 1-21, 1-23	142110	1-90, 1-91, 1-92, 1-93
140554	1-28	142111	1-93
140594	1-28	142112	1-88, 1-89, 1-90, 1-91, 1-92, 1-93
140595	1-28	142114	1-91, 1-93
140599	1-3, 1-5, 1-7, 1-8, 1-9, 1-11, 1-111, 1-123, 1-159, 1-161, 1-171	142116	1-90, 1-92
140646	1-28	142119	1-94
141154	1-39	1422176	1-71
141163	1-46, 1-50, 1-51, 1-52	142753	1-3
141198	1-28	143067	1-28
141236	1-28	143994	1-88, 1-89, 1-90, 1-91, 1-92, 1-93
141238	1-28	144048	1-35
141241	1-41	144155	1-39
141244	1-8, 1-9, 1-11	144193	1-101
141246	1-31	144264	1-171
141247	1-31	144325	1-123
141249	1-31	144343	1-85
141251	1-31	145132	1-77
141259	1-101	145201	1-83, 1-85, 1-87, 1-91
141260	1-101	145202	1-83, 1-85, 1-87, 1-90
141263	1-41	145203	1-83, 1-85, 1-87, 1-89
141266	1-8, 1-9, 1-11	145204	1-83, 1-85, 1-87, 1-88
141301	1-90, 1-91, 1-92, 1-93	145208	1-39, 1-50, 1-51
141594	1-69, 1-71, 1-73, 1-77, 1-79, 1-81	145212	1-47
141597	1-101	145214	1-48, 1-49
141776	1-39	147072	1-123
141807	1-31	147376	1-94
141808	1-135, 1-159, 1-161, 1-183	147553	1-13, 1-19, 1-21, 1-28
141809	1-13, 1-19, 1-21	147582	1-69, 1-75, 1-77
141826	1-75, 1-77, 1-83, 1-85, 1-87	147585	1-75
141828	1-69, 1-71, 1-73, 1-75, 1-77, 1-79, 1-81, 1-83, 1-85, 1-87	147586	1-83, 1-87
141864	1-71	147745	1-91
141881	1-69, 1-87	147748	1-90
141882	1-87	147755	1-94
141890	1-73, 1-85	148085	1-89
		148087	1-88, 1-89
		148088	1-88, 1-89

<p>148089 1-89</p> <p>148092 1-88</p> <p>148094 1-88</p> <p>148337 1-187</p> <p>148338 1-85, 1-87</p> <p>148386 1-39</p> <p>1-510-010003-09 1-113, 1-125, 1-171</p> <p>1-511-010001-07 1-65</p> <p>1-512-010005-01 1-3, 1-98</p> <p>1-512-010005-03 1-15, 1-17, 1-35</p> <p>1-512-010005-05 1-13, 1-15, 1-17, 1-31, 1-41, 1-135, 1-157, 1-159, 1-161, 1-173, 1-183</p> <p>1-512-010005-09 1-3, 1-5, 1-7, 1-15, 1-17, 1-23, 1-39, 1-41, 1-65, 1-67, 1-98, 1-113, 1-125, 1-135</p> <p>1-512-010005-13 1-3, 1-5, 1-7, 1-9, 1-13, 1-15, 1-17, 1-19, 1-21, 1-23, 1-32, 1-39, 1-42, 1-43, 1-45, 1-53, 1-54, 1-55, 1-56, 1-57, 1-58, 1-59, 1-60, 1-63, 1-98, 1-111, 1-123, 1-128, 1-129, 1-132, 1-138, 1-139, 1-142, 1-145, 1-148, 1-149, 1-152, 1-155, 1-159, 1-161, 1-162, 1-163, 1-164, 1-165, 1-166, 1-167, 1-168, 1-171, 1-174, 1-175, 1-176, 1-177, 1-178, 1-179, 1-180, 1-183, 1-185, 1-187</p> <p>1-512-010005-15 1-31, 1-33, 1-39, 1-60, 1-111, 1-123, 1-135, 1-159, 1-161, 1-171, 1-183, 1-185</p> <p>1-512-010005-19 . 1-31, 1-111, 1-123, 1-159, 1-161, 1-171, 1-183, 1-185</p> <p>1-512-010007-07 1-31</p> <p>1-512-010007-08 1-65, 1-67</p> <p>1-512-010007-14 1-111, 1-123, 1-159, 1-171</p> <p>1-512-010007-16 1-31</p> <p>151528 1-183, 1-185</p> <p>151550 1-39</p> <p>1-516-010001-20 1-25, 1-27, 1-28</p> <p>152209 1-171</p> <p>152210 1-111, 1-123, 1-159, 1-171</p> <p>153620 1-71, 1-87</p> <p>153621 1-87</p> <p>153622 1-83</p> <p>153696 1-31</p> <p>153716 1-187</p> <p>153841 1-75, 1-77</p>	<p>153842 1-81</p> <p>153843 1-69</p> <p>154181 1-187</p> <p>154182 1-187</p> <p>154184 1-187</p> <p>154185 1-187</p> <p>154186 1-187</p> <p>154392 1-171</p> <p>154393 1-187</p> <p>154406 1-174, 1-175, 1-176, 1-179, 1-187</p> <p>154407 1-175, 1-179, 1-180, 1-187</p> <p>154409 1-176, 1-187</p> <p>154410 1-178, 1-187</p> <p>154652 1-187</p> <p>154655 1-187</p> <p>154656 1-187</p> <p>154658 1-187</p> <p>154659 1-187</p> <p>154748 1-171</p> <p>154994 1-113, 1-125</p> <p>154995 1-113, 1-125</p> <p>154997 1-113, 1-125</p> <p>154998 1-113, 1-125</p> <p>155002 1-111</p> <p>155005 1-113, 1-125</p> <p>155344 1-171</p> <p>155523 1-101</p> <p>155528 1-69, 1-71, 1-73</p> <p>155529 1-75, 1-77, 1-79, 1-81</p> <p>155530 1-83, 1-85, 1-87</p> <p>155544 1-187</p> <p>155617 1-39, 1-46, 1-47, 1-48, 1-49, 1-50, 1-51, 1-52</p> <p>155618 1-39, 1-46, 1-47, 1-48, 1-49, 1-50, 1-51, 1-52</p> <p>155619 1-39, 1-46, 1-47, 1-48, 1-49, 1-50, 1-51, 1-52</p> <p>1-557-010013 1-3, 1-5, 1-7</p> <p>1-557-010362-51 1-25, 1-27, 1-28, 1-171</p> <p>155927 1-113, 1-125</p> <p>155956 1-113, 1-125</p>
--	--

TABLE OF CONTENTS

INDEX

155963	1-111	164142	1-98
155971	1-113, 1-125	164146	1-65
156777	1-113	164147	1-65
156778	1-113, 1-125	164174	1-31
156779	1-113	164192	1-65
156785	1-123, 1-159	164293	1-123
156945	1-69	164315	1-113, 1-125
156950	1-31	164318	1-113, 1-125
156964	1-71	164319	1-113, 1-125
156972	1-15, 1-17, 1-23, 1-25	164320	1-113, 1-125
156973	1-25, 1-27	164321	1-113, 1-125
156974	1-25	164322	1-113
156979	1-25, 1-27	164323	1-113
156992	1-13, 1-15, 1-17, 1-21, 1-23	164331	1-111
157001	1-15, 1-17, 1-23	164335	1-111
157019	1-13, 1-15, 1-17, 1-21, 1-23	164336	1-111
1-573-010006	1-101	164544	1-31
158795	1-171	1-647-010004221	1-37, 1-123, 1-159
158847	1-171	1-647-010004236	1-171
158896	1-111, 1-123, 1-159, 1-171	1-647-010004240	1-8, 1-9, 1-11
158897	1-123, 1-159, 1-171	1-647-010004257	1-39
158903	1-13, 1-15, 1-17, 1-21, 1-23	165235	1-15, 1-17, 1-23
159569	1-85	165236	1-15, 1-17, 1-23
159954	1-3, 1-5, 1-7, 1-8, 1-9, 1-11	165257	1-15, 1-17
159955	1-3, 1-5, 1-7, 1-8, 1-9, 1-11	165258	1-35
159970	1-25, 1-27	165259	1-35
15G816ER	1-13, 1-15, 1-17, 1-21, 1-23	165260	1-35
160161	1-39	165265	1-15, 1-17
162778	1-79, 1-81	165288	1-33
162904	1-65	1-654-010032-05	1-187
162906	1-65	1-654-010032-09	1-39
162930	1-65	1-654-010047-06	1-3, 1-98
1-630-010021-03	1-35	1-654-010047-07	1-98
163705	1-31	1-654-010047-08	1-98
164124	1-13, 1-15, 1-17	1-654-010049-19	1-15, 1-17
164138	1-98	1-654-010051-06	1-13, 1-15, 1-17
164139	1-98	1-654-010051-11	1-41, 1-135, 1-159, 1-161, 1-183
164140	1-98	1-654-010051-15	1-31

<p>1-654-010055-02 1-135, 1-159, 1-161, 1-183</p> <p>1-654-010055-03 1-123</p> <p>1-654-010055-05 1-135, 1-159, 1-161, 1-183</p> <p>1-654-010055-09 1-135, 1-159, 1-161, 1-183</p> <p>1-654-010055-14 1-113, 1-125</p> <p>1-654-010055-15 1-15, 1-17, 1-23</p> <p>1-654-010055-17 1-67</p> <p>1-654-010059-05 1-3, 1-5, 1-7, 1-13, 1-15, 1-17, 1-19, 1-21, 1-23, 1-42, 1-43, 1-45, 1-162, 1-163, 1-164, 1-165, 1-166, 1-167, 1-168, 1-171, 1-174, 1-175, 1-176, 1-177, 1-178, 1-179, 1-180, 1-183, 1-185</p> <p>1-654-010059-06 1-67</p> <p>1-654-010059-07 1-13, 1-15, 1-17</p> <p>1-654-010059-14 1-98, 1-123</p> <p>1-654-010059-15 1-155, 1-159, 1-164, 1-165, 1-166, 1-167, 1-168</p> <p>1-654-010059-16 1-123, 1-171</p> <p>1-654-010061-06 1-60</p> <p>1-654-010061-15 1-123, 1-135, 1-159, 1-161, 1-183, 1-185</p> <p>1-654-010061-19 1-31</p> <p>1-654-010061-23 1-135</p> <p>1-654-010061-25 1-171</p> <p>1-654-010070-02 1-39, 1-113, 1-125, 1-171</p> <p>1-654-010070-03 1-41, 1-63, 1-155</p> <p>1-654-010070-04 1-145</p> <p>1-654-010070-11 1-3, 1-5, 1-7, 1-113, 1-125</p> <p>1-654-010070-13 1-113, 1-125</p> <p>1-654-010070-14 1-113, 1-125</p> <p>1-654-010123-01 1-31</p> <p>1-654-010125-18 1-123, 1-159, 1-161</p> <p>1-654-010125-22 1-31</p> <p>166148 1-157, 1-173</p> <p>166160 1-65</p> <p>166175 1-135</p> <p>166176 1-135</p> <p>166177 1-135, 1-159, 1-161</p> <p>166199 1-67</p> <p>166200 1-67</p>	<p>166201 1-67</p> <p>166241 1-171</p> <p>166242 1-135, 1-159, 1-161, 1-183</p> <p>166336 1-125</p> <p>166339 1-63</p> <p>166340 1-63, 1-145, 1-155</p> <p>166341 1-63, 1-145, 1-155</p> <p>166342 1-63, 1-145, 1-155</p> <p>166343 1-145, 1-155</p> <p>166344 1-145</p> <p>166717 1-35</p> <p>168739 1-123, 1-159, 1-161</p> <p>168753 1-123</p> <p>168762 1-123</p> <p>168764 1-159, 1-161, 1-183</p> <p>168787 1-3, 1-5, 1-7, 1-33</p> <p>168859 1-25, 1-27</p> <p>168897 1-135</p> <p>169550 1-95</p> <p>170870 1-125</p> <p>171024 1-13, 1-21, 1-23</p> <p>171070 1-13, 1-15, 1-17, 1-21, 1-23</p> <p>172509 1-39, 1-63, 1-135, 1-145, 1-155, 1-159, 1-161, 1-183</p> <p>172528 1-187</p> <p>172529 1-177, 1-187</p> <p>172662 1-65</p> <p>172666 1-65</p> <p>172667 1-65</p> <p>172670 1-65</p> <p>172671 1-65</p> <p>172672 1-65</p> <p>172673 .. 1-123, 1-135, 1-159, 1-161, 1-171, 1-183</p> <p>172677 1-123, 1-159</p> <p>172830 1-111</p> <p>172961 1-15, 1-17, 1-23</p> <p>174318 1-13, 1-21</p> <p>174404 1-3</p>
---	--

TABLE OF CONTENTS

INDEX

174435	1-98	179734	1-51, 1-52
174436	1-98	179735	1-51, 1-52
174437	1-98	179736	1-46
174438	1-98	179737	1-46
174439	1-98	179738	1-47
174448	1-101	179739	1-47
174526	1-63, 1-145, 1-155	179740	1-48, 1-49
174532	1-63, 1-145, 1-155	179741	1-48, 1-49
174708	1-35	179742	1-39, 1-50, 1-51
174709	1-35	179743	1-50, 1-51
176625	1-123, 1-171	179744	1-52
176996	1-73	179745	1-52
176997	1-79, 1-81, 1-85	179746	1-32
176998	1-85	179748	1-46
177030	1-31	179749	1-47
177031	1-31	179750	1-48
177032	1-31	179751	1-49
179651	1-7	179752	1-50
179652	1-7	179753	1-51
179653	1-17	179755	1-52
179655	1-13, 1-15, 1-17, 1-19, 1-21, 1-23	179756	1-39
179660	1-46	179757	1-39
179661	1-47	179758	1-39
179662	1-8	179760	1-39
179663	1-8	179761	1-39
179664	1-9	179763	1-37
179665	1-9	179766	1-39, 1-50, 1-51
179666	1-11	179768	1-46, 1-47, 1-48, 1-50, 1-51, 1-52
179667	1-11	179770	1-47, 1-49, 1-50
179691	1-13, 1-17	179772	1-48, 1-49, 1-51, 1-52
179693	1-21, 1-23	179837	1-180
179709	1-31	179839	1-183, 1-185
179720	1-31	179840	1-183, 1-185
179721	1-31	179841	1-183, 1-185
179730	1-46, 1-47, 1-48	179842	1-183, 1-185
179731	1-46, 1-47, 1-48	179843	1-183, 1-185
179732	1-49, 1-50	179844	1-183, 1-185
179733	1-49, 1-50	179846	1-183

TABLE OF CONTENTS

INDEX

179848	1-183	183883	1-5
180020	1-71, 1-73	183885	1-5
180120	1-7, 1-13, 1-15, 1-17, 1-35	183889	1-31, 1-33
180121	1-35	183890	1-33
180304	1-174, 1-179, 1-180, 1-187	183894	1-33
180305	1-187	183895	1-33
180306	1-187	183896	1-33
180483	1-95	183925	1-41
180486	1-94	183926	1-41
181363	1-53, 1-54, 1-55, 1-56, 1-57, 1-58, 1-59, 1-60	183927	1-41
181601	1-7	183945	1-31, 1-37
181799	1-71	183946	1-37
181881	1-101	183966	1-8, 1-9, 1-11
181888	1-48	183967	1-32
181903	1-49	183968	1-32
181910	1-50	183973	1-3
181917	1-51	183976	1-13
181928	1-52	183990	1-3
181932	1-79, 1-81, 1-95	184708	1-13, 1-19, 1-21, 1-23
181937	1-7, 1-17	184713	1-53, 1-54, 1-55, 1-56, 1-57, 1-58, 1-59, 1-60, 1-171
182336	1-37	184767	1-13
182339	1-37	185632	1-19
182391	1-3, 1-5, 1-7, 1-9	185633	1-19
182394	1-8	185640	1-46, 1-47, 1-48
182398	1-39	185644	1-3
182401	1-39	185646	1-3
182403	1-51, 1-52	185650	1-75, 1-77, 1-94
182404	1-98	185660	1-17, 1-69, 1-71, 1-73
182405	1-98	185670	1-128
182406	1-98	185671	1-176
182407	1-98	185677	1-83
182409	1-3, 1-5, 1-7	185683	1-15
182410	1-7	185684	1-5
182420	1-3, 1-5, 1-7	185685	1-5
182426	1-132	185697	1-159, 1-161
183294	1-9, 1-11	185757	1-63, 1-145, 1-155
183871	1-15	185928	1-65, 1-67
183882	1-49, 1-50		

TABLE OF CONTENTS

INDEX

1-861-010005	1-25, 1-27	186192	1-130, 1-140, 1-150, 1-157, 1-176, 1-178, 1-179
1-861-010032-11	1-31	186193	1-135, 1-159, 1-161, 1-183
1-861-010032-13	1-65, 1-67	186195	1-126, 1-127, 1-128, 1-129, 1-130, 1-131, 1-132, 1-135
1-861-010032-14	1-3, 1-5, 1-7, 1-123	186200	1-135, 1-159, 1-161, 1-183
1-861-010032-15	1-113, 1-125	186204	1-135, 1-159, 1-161, 1-183
1-861-010032-19	1-43, 1-65, 1-123	186205	1-135, 1-159, 1-161, 1-183
1-861-010032-20	1-33	186207	1-135, 1-183
1-861-010032-24	1-31, 1-111, 1-123, 1-159	186210	1-135, 1-159, 1-161, 1-183
1-861-010034-12	1-65, 1-67	186217	1-126
1-861-010034-17	1-39, 1-63, 1-145, 1-155, 1-187	186218	1-174
1-861-010034-21	1-171, 1-187	186226	1-127
186153	1-53	186227	1-175
186154	1-54	186237	1-69
186155	1-55	186238	1-69
186156	1-56	186254	1-129
186157	1-57	186255	1-177
186158	1-58	186265	1-130
186159	1-59	186266	1-178
186165	1-157	187162	1-13, 1-15, 1-17, 1-21, 1-23
186169	1-157	187165	1-13
186170	1-131, 1-141, 1-151, 1-157	187169	1-13
186173	1-157	187511	1-177, 1-178, 1-187
186174	1-132, 1-142, 1-157, 1-180	187515	1-187
186178	1-157	187517	1-135, 1-159, 1-161, 1-183
186179	1-157	187545	1-128, 1-129, 1-132, 1-138, 1-139, 1-142, 1-148, 1-149, 1-152
186180	1-157	187546	1-128, 1-129, 1-132, 1-138, 1-139, 1-142, 1-148, 1-149, 1-152
186181	1-157	187547	1-131
186182	1-157	187548	1-174, 1-175, 1-176, 1-177, 1-178, 1-179, 1-180, 1-183
186183	1-157	187549	1-174, 1-175, 1-176, 1-177, 1-178, 1-179, 1-180, 1-183
186187	1-126, 1-129, 1-130, 1-136, 1-139, 1-140, 1-146, 1-149, 1-150, 1-157, 1-174, 1-177, 1-178	187550	1-179
186188	1-131, 1-132, 1-141, 1-142, 1-151, 1-152, 1-157, 1-180	187551	1-185
186189	1-127, 1-132, 1-137, 1-142, 1-147, 1-152, 1-157, 1-175, 1-179, 1-180	187553	1-174, 1-175, 1-176, 1-179, 1-180, 1-185
186190	1-128, 1-129, 1-138, 1-139, 1-148, 1-149, 1-157, 1-176, 1-177	187554	1-174, 1-175, 1-176, 1-179, 1-180, 1-185
186191	1-126, 1-127, 1-128, 1-136, 1-137, 1-138, 1-146, 1-147, 1-148, 1-157, 1-174, 1-175	187571	1-171

187575	1-171	200129	1-13, 1-15, 1-17, 1-21, 1-23
187577	1-171	200218	1-63, 1-145, 1-155
187584	1-171	200221	1-63, 1-145, 1-155
187585	1-171	200222	1-63, 1-145, 1-155
187592	1-166	200233	1-171
189400	1-166, 1-167, 1-168, 1-171	200236	1-171
189401	1-173	200237	1-171
189402	1-173	200238	1-63, 1-145, 1-155
189403	1-173	200240 ..	1-162, 1-163, 1-164, 1-165, 1-166, 1-167, 1-168, 1-171
189404	1-173	200252	1-164
189406	1-173	200253	1-139, 1-145, 1-164, 1-165
189407	1-173	200254 ..	1-114, 1-117, 1-118, 1-136, 1-139, 1-140, 1-141, 1-145, 1-162, 1-165, 1-166
189408	1-173	200255 ..	1-114, 1-115, 1-116, 1-117, 1-119, 1-120, 1-136, 1-137, 1-138, 1-139, 1-142, 1-145, 1-163, 1-164, 1-165, 1-167, 1-168
189410	1-173	200256 ..	1-116, 1-118, 1-119, 1-138, 1-140, 1-145, 1-166, 1-167
189414	1-164, 1-173	200257	1-120, 1-141, 1-142, 1-145, 1-168
189415	1-164, 1-173	200259	1-63, 1-145, 1-155
189416	1-162, 1-165, 1-173	200295	1-63
189417	1-166, 1-173	200296	1-63, 1-155
189419 ..	1-162, 1-163, 1-164, 1-165, 1-167, 1-168, 1-173	200297	1-63, 1-155
189420	1-165, 1-173	200298	1-63, 1-155
189421	1-166, 1-167, 1-173	200299	1-155
189423	1-168, 1-173	200310	1-13, 1-15, 1-17, 1-21, 1-23
189433	1-3, 1-5, 1-7, 1-168, 1-171	200312	1-13, 1-15, 1-17, 1-21, 1-23
191459	1-123, 1-159, 1-161	202702-8-8S	1-69, 1-71, 1-73, 1-75, 1-77, 1-79, 1-81
193030	1-171	203006	1-60
193031	1-171	203007	1-53, 1-54, 1-55, 1-56, 1-57, 1-58, 1-59, 1-60
194693	1-171	203008	1-60
194694	1-167	203011	1-60
195902	1-32	203072	1-53, 1-54, 1-55, 1-56, 1-57, 1-58, 1-59, 1-60
197740	1-164	203073	1-53, 1-54, 1-55, 1-56, 1-57, 1-58, 1-59, 1-60
198322	1-13, 1-15, 1-17, 1-21, 1-23	203099	1-168
198344	1-15, 1-17, 1-23	203138	1-171
199359	1-123, 1-159, 1-161	203182	1-42, 1-43, 1-45
199362	1-13, 1-21	203183	1-53, 1-57, 1-58, 1-59, 1-63
199376	1-123		
199390	1-123		
1P332	1-83, 1-85, 1-87		

TABLE OF CONTENTS

INDEX

203184	1-53, 1-54, 1-55, 1-59, 1-63, 1-149, 1-151, 1-155	223437	1-27
203185	1-55, 1-56, 1-57, 1-63, 1-146, 1-149, 1-150, 1-151, 1-152, 1-155	223438	1-27
203186	1-58, 1-59, 1-63, 1-146, 1-147, 1-148, 1-149, 1-152, 1-155	223439	1-27
203187	1-148, 1-150, 1-155	223440	1-15, 1-17, 1-27
203188	1-151, 1-152, 1-155	225123	1-145
204380	1-155	225124	1-145
204385	1-13, 1-19, 1-21, 1-23	225125	1-145
205138	1-165	225126	1-145
205139	1-163	225127	1-145
205187	1-162	227628	1-113
2061-8-8S	1-71, 1-79	227666	1-123, 1-159, 1-161
2062-10-8S	1-79, 1-81	227670	1-114, 1-115, 1-116, 1-117, 1-118, 1-119, 1-120, 1-123
2062-8-8S	1-69, 1-71, 1-73, 1-75, 1-77, 1-83, 1-85, 1-87	227671	1-123
208187	1-123, 1-159, 1-161	228187	1-13, 1-15, 1-17, 1-21, 1-23
209797	1-123	228190	1-13, 1-15, 1-17, 1-21, 1-23
209798	1-123	228193	1-13, 1-15, 1-17, 1-21, 1-23
209799	1-123	229061	1-102, 1-103, 1-104, 1-105, 1-106, 1-107, 1-108, 1-111
2-102-010004	1-65	229062	1-111
2-102-010032	1-166, 1-167	229063	1-111
2-102-010051	1-7, 1-17, 1-98	229068	1-111
2-102-010054	1-3, 1-5, 1-7	229072	1-102, 1-105, 1-106, 1-113
2-102-010062	1-41	229073	1-102, 1-103, 1-104, 1-105, 1-107, 1-108, 1-113
2-102-010068	1-9, 1-128, 1-129, 1-132, 1-138, 1-139, 1-142, 1-148, 1-149, 1-152	229074	1-104, 1-106, 1-107, 1-113
210606	1-13, 1-21, 1-28	229075	1-108, 1-113
211056	1-111, 1-123, 1-159, 1-161	229711	1-114, 1-117, 1-118, 1-125
212046	1-13, 1-15, 1-17, 1-21, 1-23	229712	1-114, 1-115, 1-116, 1-117, 1-119, 1-120, 1-125
215341	1-13, 1-15, 1-17, 1-21, 1-23	229713	1-116, 1-118, 1-119, 1-125
2-181-010001	1-31	229714	1-120, 1-125
218642	1-88	229718	1-136, 1-137, 1-138, 1-139, 1-140, 1-141, 1-142, 1-146, 1-147, 1-148, 1-149, 1-150, 1-151, 1-152, 1-159
218643	1-89	229719	1-140, 1-141, 1-142, 1-150, 1-151, 1-152, 1-161
218645	1-94	23085	1-39
218646	1-95	231497	1-114
218647	1-95	231498	1-115
223435	1-27		

231499	1-116	415	1-23
231500	1-117	4J411	1-32
231501	1-118	4K552	1-123
231502	1-119	5000	1-25, 1-27, 1-28, 1-39
231503	1-120	528933	1-98, 1-101
231507	1-136	528934	1-98, 1-101
231508	1-137	528938	1-98, 1-101
231509	1-138	6-102-010009 . . .	1-162, 1-163, 1-164, 1-165, 1-166, 1-167, 1-168, 1-171, 1-174, 1-175, 1-176, 1-177, 1-178, 1-179, 1-180, 1-183, 1-185, 1-187
231510	1-139	622-3511-008	1-39
231511	1-140	7/16-14X1-3/4PB	1-65, 1-67
231512	1-141	70239854	1-3
231513	1-142	70260977	1-98
232356	1-146	71508985	1-81
232357	1-147	71508987	1-77, 1-79, 1-81
232358	1-148	71508992	1-71
232359	1-149	71510821	1-83
232360	1-150	71600089	1-83
232361	1-151	7J856	1-31
232362	1-152	7K858	1-41
232380	1-102	8-102-010012 . . .	1-53, 1-54, 1-55, 1-56, 1-57, 1-58, 1-59, 1-60, 1-63, 1-123, 1-145, 1-155, 1-159, 1-161, 1-171
232381	1-103	8-102-010017	1-157, 1-173
232382	1-104	8-102-010043	1-98, 1-111, 1-123
232383	1-105	8-557-010149	1-3, 1-5, 1-7
232384	1-106	8-573-010084	1-101
232385	1-107	8-681-010008	1-42, 1-43, 1-45
232386	1-108	8-681-010009	1-42, 1-45
2-368-010287	1-98	8-681-010010	1-42, 1-43, 1-45
2-474-010022	1-75, 1-77, 1-79, 1-81	8-681-010012	1-45
2-557-010009	1-135, 1-159, 1-161, 1-183	8-681-010013	1-43, 1-45
2-573-010037	1-101	8-681-010014	1-42, 1-45
2-573-010198	1-101	8-681-010020	1-45
2-689-010057	1-65, 1-67	8-681-010021	1-45
29SFFL 5811 . . .	1-42, 1-43, 1-45, 1-65, 1-67, 1-123, 1-135, 1-159, 1-161, 1-171, 1-183	8-689-010006	1-65, 1-67
2P793	1-39	8-689-010009	1-65, 1-67
2P794	1-39	8-720-010011	1-123, 1-171
3-557-010415	1-32		
4001060	1-25, 1-27		

INDEX

8C520 1-135, 1-159, 1-161, 1-183

T

TR575 1-13, 1-15, 1-17, 1-19, 1-21, 1-23

Document Control Revision Log:

Date	Form #	Improvement(s): Description and Comments
04/28/2015	F-755	Initial Release
11/18/2018	F-755-1118	Walking beam and cylinder updates
12/11/2018	F-755-1218	Cylinder updates for E-Commerce
03/18/2021	F-755-0321	Attachment and 8-bolt hub/spindle upates



Intertek

Equipment from Landoll Company, LLC is built to exacting standards ensured by ISO 9001 registration at all Landoll manufacturing facilities.

Model 8530 Finisholl Parts Manual

Re-Order Part Number F-755-0321

LANDOLL COMPANY, LLC

1900 North Street

Marysville, Kansas 66508

(785) 562-5381

800-428-5655 ~ WWW.LANDOLL.COM



Copyright 2015. Landoll Company, LLC

“All rights reserved, including the right to reproduce this material or portions thereof in any form.”

Scan to go to www.landoll.com

