

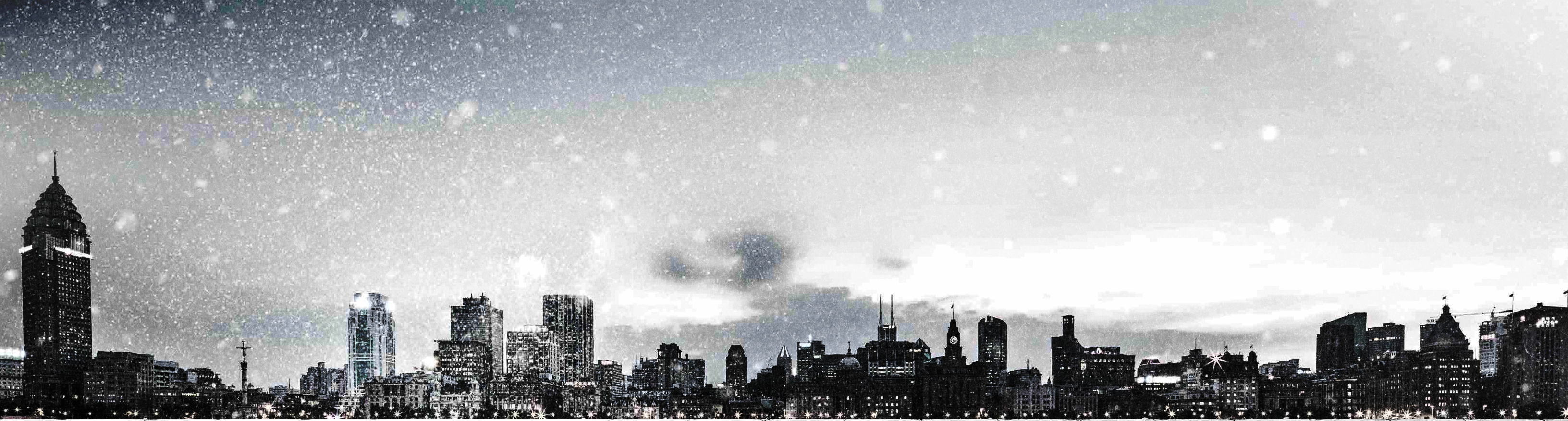


“

SNOWPLOWS & ACCESSORIES

MORE JOBS.
DONE FASTER.





RISE TO NEW CHALLENGES WHETHER OR NOT THEY HAPPEN DURING REGULAR BUSINESS HOURS

- 8-11** V-PLOW SERIES
- 12-15** WINGED PLOW SERIES
- 16-21** STRAIGHT BLADE PLOW SERIES
- 22-23** CONTROL OPTIONS
- 24-31** ACCESSORIES / SPECS

When plowing is your profession, it's up to you to keep the world moving through winter's worst. Less time worrying about your equipment means more time for clearing lots.

The ticking clock controls your paycheck. Minutes wasted are dollars lost. When your schedule is packed and your budget even tighter, the only thing worth your hard-earned money is *better results*.

That's why Western Products builds efficiency into every feature of our ice control equipment. With more than 70 years of experience behind us, Western Products knows what it takes to conquer all the depths of winter.

Mother Nature may not offer guarantees—but we build a promise into every piece of equipment we make:

MORE JOBS. DONE FASTER.

STANDARD FEATURES

When we pledge to help you get more jobs done faster, you can believe that our primary focus is to keep you as efficient as possible. This means building time-saving features into our plows to make sure you spend less time in your shop and more time plowing. Because when snow flies, you don't have a second to spare.



ULTRAMOUNT® 2 SNOWPLOW MOUNTING SYSTEM

The exclusive WESTERN® UltraMount 2 system is designed for fast and easy installation and removal using a simple mechanical system. It features a robust, one-piece design and is 100% compatible with UltraMount system mounts and electrical platforms.

QUICK AND EASY ATTACHMENT

Drive into the extra-wide, flared receiver brackets. Pull the shoe handle up, pull the lock pin and rotate the handle up. Repeat on the other side and plug in the electrical connections.

DURABLE CONSTRUCTION

The entire UltraMount 2 attachment is built upon a robust A-frame/T-frame construction with three-inch square tubing for extra strength and durability.



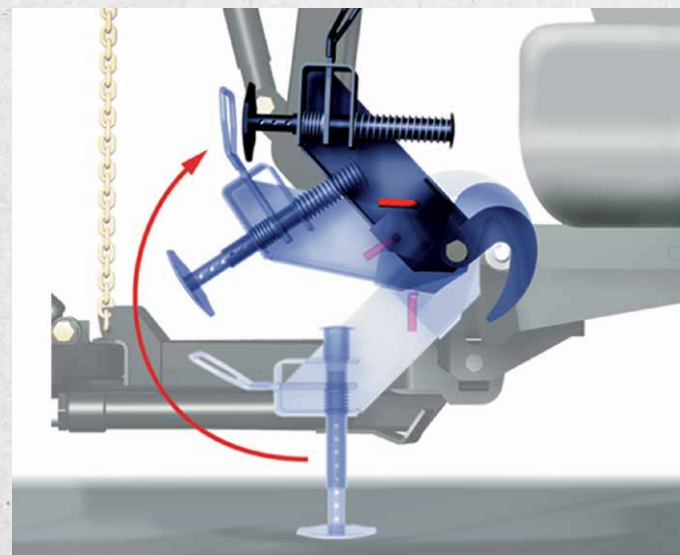
EXCLUSIVE ROTATING PIVOT BAR

The patented PIVOT BAR keeps the attaching points level even when the blade is not, for accurate drive-in alignment. It removes undue stress on the A-frame pivot bolt and pin, as well as the A-frame itself, reducing the risk of frame failure and breakage of key components. It also allows the blade to pivot while plowing on uneven terrain for a cleaner scrape and more even cutting edge wear.



REMOVABLE RECEIVER BRACKETS

Quickly maximize vehicle ground clearance in the off-season. No tools required.



UNIVERSAL FEATURES



ULTRA FINISH

ULTRAFINISH™ BAKED-ON POWDER COAT

The ULTRAFINISH baked-on powder coat with epoxy primer is standard on all WESTERN® plows, providing outstanding protection against wear and rust.

RELIABLE HYDRAULICS

We manufacture our own hydraulic components to ensure the highest standards of quality.

UNIVERSAL CONTROLS

Choose between a CabCommand hand-held control with push buttons or a joystick control, based on operator preference.

PREPUNCHED BLADES FOR ACCESSORIES

Plow blades are prepunched for easy installation of accessories, providing a custom fit. The prepunched holes also prevent damage to the powder coat that can sometimes occur when installing an accessory.

ISOLATION MODULE

This advanced snowplow light and electrical system features improved electrical pins in the harness plugs for trouble-free connections. An underhood module improves system life and complies with OEM requirements. No toggle switch is needed to change from vehicle to plow lights.

SECURITY GUARD™ ANTI-THEFT SYSTEM

Provides a safe and secure way to electronically lock your snowplow when it is detached from your truck. Unlike physical locks that can easily be cut or removed, the system allows you to electronically lock the snowplow's hydraulic functions, rendering your plow inoperable to unauthorized users.

CHAIN LIFT SYSTEM

The mechanical chain lift system offers a variety of performance and reliability advantages over a hydraulic system.

CLEAN SCRAPING PERFORMANCE

Experience instantaneous "float" when lowering the blade, enabling it to freely follow the contours of the plowing surface for a cleaner scrape.

HIGHER STACKING

Stack snow higher with non-restrictive plow movement by the length of the ram stroke like on cylinder lift systems.

RELIABLE

Count on long life dependability with fewer hydraulic and electrical components to worry about.

Excludes HTS™ plow, DEFENDER™ plow and IMPACT™ UTV plows.

FLEET FLEX ELECTRICAL SYSTEM

Experience true fleet interchangeability. The same CabCommand hand-held or joystick control can operate any UltraMount® and UltraMount® 2 mounted plow on any truck at any time.

Excludes DEFENDER plow and IMPACT UTV plows

NIGHTHAWK™ LED HEADLIGHTS

FULLY FLEET FLEX SYSTEM COMPATIBLE BACK TO 2008 MODEL YEAR VEHICLES

In order to clear the way, you need to be able to clearly see the path in front of you. NIGHTHAWK headlights from Western Products give you options, with state-of-the-art LED and dual-halogen options. The cold never stops you from plowing, and neither should the dark.



PATENTED EdgeView™ TECHNOLOGY

The EdgeView technology design features a dedicated lens and LED bulb that directs light through the outer edge of each headlight. This provides a full 180 degrees of light visibility, illuminating the plow from edge to edge, for the best all-around view of the plow's operating environment.

100% LED PERFORMANCE

The WESTERN® NIGHTHAWK LED headlights offer 100% LED performance, which means every single bulb inside of the headlights is an LED bulb. These LEDs provide up to twice the light output of halogens and have a much longer life expectancy for long-lasting performance.

SOLID OPTICS

Enhanced solid optic elements place light exactly where it needs to be, rather than relying on reflectors to aim the light as with many other halogen and LED lights. This allows for optimized light projection which has been engineered specifically to improve poor visibility in inclement weather.

INTUITIVE HEATING SYSTEM

Automatically senses temperature on the lens and activates heating elements when necessary to prevent snow and ice buildup, keeping the headlights at full illumination and you plowing ahead.

ADVANCED LENS DESIGN

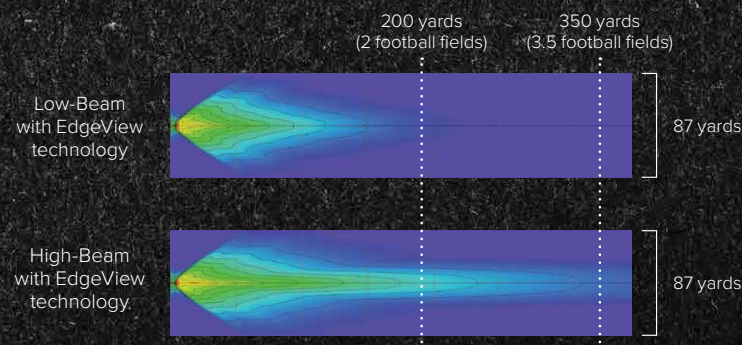
The forward-sloped lens is specially designed without a bezel to ensure it remains clean and free from ice buildup, and you can remain in the cab of your truck.

ENGINEERED AND TESTED FOR DURABILITY

The NIGHTHAWK LED headlights are designed with a robust, two-stud mounting bracket that helps hold the headlights firmly in place. They are tested to withstand plowing in extreme temperatures, vibration, impact, water submersion, corrosion and shock.

UPGRADE EXISTING TRUCK PLOWS

The NIGHTHAWK LED headlights are available as an option to upgrade existing WESTERN truck plows back to model year 2008 vehicles. To verify vehicle compatibility, be sure to check our online Quick Match program for all of the most up-to-date vehicle applications.



NIGHTHAWK™ DUAL-HALOGEN HEADLIGHTS

LOW- AND HIGH-BEAM PERFORMANCE

The low-beam pattern puts more light down immediately in front of the plow, helping to light up the operating environment when plowing. The high-beam pattern throws light down the road, making it easier for late-night operators to see road hazards while traveling between jobs.

STATE-OF-THE-ART REFLECTIVE OPTICS

NIGHTHAWK dual-halogen headlights feature reflective optics that are engineered specifically for low-beam and high-beam modes. The dual-cavity design means each mode can provide the optimal light spread and throw, for a smooth, wide light beam pattern with minimal glare, no matter which mode you are in.

MINIMIZE ICE BUILDUP

Halogen headlights are known to generate heat and as a result, minimize the buildup of snow and ice on the lens.



LENS DESIGN

With the NIGHTHAWK dual-halogen headlights, a contoured lens and housing helps prevent beading and sheds moisture that can be caused by thawed snow and ice.

ENGINEERED AND TESTED FOR DURABILITY

The NIGHTHAWK dual-halogen headlights are designed with a robust, two-stud mounting bracket that helps hold the headlights firmly in place. They are tested to withstand plowing in extreme temperatures, vibration, impact, water submersion, corrosion and shock.

DUAL H9/H11 HALOGEN BULBS

The bulbs have an average life of 1,500 hours and are easy to replace through a simple, three-screw, bulb-access cover.



V-PLOW SERIES

FEATURING THE **MVP 3™**, **MVP PLUS™** AND **ENFORCER™** PLOWS

“ PUSH THROUGH THE DEPTHS OF WINTER.

When snow hits, you're never sure what you're going to find when you arrive at your client's property. Come prepared with a V-plow. Whether you need to push, windrow, or stack snow, the V-plow can attack all snow removal activities with ease. These multi-purpose plows are built to transform easily with the press of a button between straight blade, V, and scoop modes. This allows your plow operators to get: More Jobs. Done Faster.

SNOWPLOWS PICTURED:
ENFORCER™
MVP 3™

information on pages 10–11



MULTIPLE BLADE MODES

Easily change between straight blade, V-plow, and scoop blade configurations to best tackle the snow removal task you are performing.



TRIP EDGE DESIGN

Each blade features independent trip-edge protection in all configurations—straight, V, or scoop—to keep snow in front of the blade.



ULTRALOCK DOUBLE-ACTING CYLINDERS

Lock the wings together to easily maneuver the plow as a straight blade. The double-acting cylinders hold the wings firmly in place for clean, efficient back dragging.



STEEL CENTER GAP COVER

To ensure the cleanest pass in any blade configuration, a snow-control deflector over the center hinge prevents snow from being lost over the top.

MVP 3™

HEAVY-DUTY

Heavy-Duty Commercial-Grade Multi-Purpose Plow



MVP 3

Commercial-Grade Multi-Purpose Plow



MVP PLUS™

Commercial-Grade Multi-Purpose Plow



ENFORCER™

Half-Ton Multi-Purpose Plow



FEATURES	DESCRIPTION	FEATURES	DESCRIPTION
BLADE SIZES	10'6"	BLADE SIZES	8'6", 9'6"
BLADE CONSTRUCTION	11-gauge powder coated steel; 12-gauge stainless steel; thicker moldboards and a more robust base angle with additional hinge points.	BLADE CONSTRUCTION	14-gauge powder-coated steel and stainless steel; 0.25" high-density polyethylene.
T-FRAME DESIGN	Features a solid, one-piece construction from front to back and an oscillating pivot bar.	T-FRAME DESIGN	Provides added strength and allows blade-pitch adjustment to reduce uneven cutting edge wear.
CUTTING EDGE	6" high-carbon steel reduces wear and extends the life of the blade.	CUTTING EDGE	6" high-carbon steel reduces wear and extends the life of the blade.
FLARED WINGS	Reduce the amount of snow that rolls off the top of the plow with standard flared wings that rise 6"–10" from the center pin.	FLARED WINGS	Reduce the amount of snow that rolls off the top of the plow with standard flared wings that rise 6"–10" from the center pin.
STRUCTURAL REINFORCEMENT	Eight vertical ribs combined with the exclusive WESTERN® POWER BAR, provide exceptional torsional strength and rigidity, eliminating blade twisting.	STRUCTURAL REINFORCEMENT	Eight vertical ribs combined with the exclusive WESTERN POWER BAR, provide exceptional torsional strength and rigidity, eliminating blade twisting.
ACCESSORIES	Poly Cutting Edge, Carbide Cutting Edge, ½" and ⅝" Steel Cutting Edges, Back Drag Edge*, Rubber Deflector, Shoe Kits*	ACCESSORIES	Poly Cutting Edge, Carbide Cutting Edge, ½" and ⅝" Steel Cutting Edges, Back Drag Edge*, Blade Angle Stop, Curb Guards*, Rubber Deflector, Shoe Kits*, Wing Extensions*
UNIQUE FEATURES	Curb Guards	UNIQUE FEATURES	N/A
TRUCK CLASS	3, 4, 5, 6, 7 (under 26,000 lb)	TRUCK CLASS	2, 3, 4

FEATURES	DESCRIPTION	FEATURES	DESCRIPTION
BLADE SIZES	8'6", 9'6"	BLADE SIZES	7'6"
BLADE CONSTRUCTION	14-gauge powder-coated steel; 0.25" high-density polyethylene.	BLADE CONSTRUCTION	High-strength, low alloy steel is stronger and lighter than conventional steel; powder-coated steel or stainless steel.
T-FRAME DESIGN	Provides added strength and allows blade-pitch adjustment to reduce uneven cutting edge wear.	T-FRAME DESIGN	Provides added strength and allows blade-pitch adjustment to reduce uneven cutting edge wear.
CUTTING EDGE	6" high-carbon steel reduces wear and extends the life of the blade.	CUTTING EDGE	6" high-carbon steel reduces wear and extends the life of the blade.
FLARED WINGS	N/A	FLARED WINGS	Reduce the amount of snow that rolls off the top of the plow with standard flared wings that rise 6" from the center pin.
STRUCTURAL REINFORCEMENT	Eight vertical ribs combined with the exclusive WESTERN® POWER BAR, provide exceptional torsional strength and rigidity, eliminating blade twisting.	STRUCTURAL REINFORCEMENT	Six vertical ribs combined with the exclusive WESTERN POWER BAR, provide exceptional torsional strength and rigidity, eliminating blade twisting.
ACCESSORIES	Poly Cutting Edge, Carbide Cutting Edge, ½" and ⅝" Steel Cutting Edges, Back Drag Edge*, Blade Angle Stop, Curb Guards*, Rubber Deflector, Shoe Kits*, Wing Extensions*	ACCESSORIES	1" Poly Cutting Edge, ½" Steel Cutting Edge, Back Drag Edge*, Blade Angle Stop, Cast Iron or AR400 Steel Curb Guards*, Shoe Kits*, Poly Deflector, 10" Rubber Deflector
UNIQUE FEATURES	N/A	UNIQUE FEATURES	N/A
TRUCK CLASS	2, 3	TRUCK CLASS	Half-Ton

* See accessory matrix on pages 26-27 for details on cross-compatibility.



“ EFFICIENCY COMES FROM FLEXIBILITY. ”

When conditions require maximum snow removal, WESTERN® winged plows are there to accept the challenge. Wing extensions allow you to windrow and scoop snow more efficiently than a straight blade. Models provide automatic or operator-controlled wing placement to move more snow with each pass. The WIDE-OUT™ models allow the wings to full retract to fit into narrower spaces as well.

SNOWPLOW
PICTURED:
WIDE-OUT™ XL



WINGS

Wings provide extensions on the left and right side of the plow to extend the width of the blade and reduce snow that falls off the end of the blade during windrowing or scoop modes.

TRIP BLADE AND WING PROTECTION

Four heavy duty coil springs protect your plow and truck by allowing the whole blade to trip when striking obstacles. The wings of the plow will trip in any position as well, including scoop.



STANDARD CUTTING EDGE

The 6" standard, high-carbon steel cutting edge on the moldboard and wings ensures a clean scrape on every pass while reducing wear and extending the life of the blade.



HIGH STRENGTH STEEL BASE CHANNEL

Provides extra support along the bottom of the plow blade.



WINGED PLOW SERIES

FEATURING THE WIDE-OUT™, WIDE-OUT™ XL AND PRODIGY™ PLOWS

WIDE-OUT™ XL

Heavy-Duty Commercial, High-Efficiency Plow that gives operators full control over wing activation



WIDE-OUT™

High-Efficiency Plow for contractors that provides full control over wing activation



PRODIGY™

Entry Level Commercial, High-Efficiency Plow that automates wing deployment



FEATURES	DESCRIPTION	FEATURES	DESCRIPTION
BLADE SIZES	8'6" extends to 11' in straight and 9'10" in scoop	BLADE SIZES	8' extends to 10' in straight and 8'10" in scoop
BLADE CONSTRUCTION	14-gauge powder coated steel.	BLADE CONSTRUCTION	14-gauge powder coated steel.
HYDRAULIC WING EXTENSIONS	Independently position each wing to maximize blade width and move more snow.	HYDRAULIC WING EXTENSIONS	Independently position each wing to maximize blade width and move more snow.
FLARED WINGS	Flared wing extensions as tall as 36" maximize efficiency and aggressively cast snow further when windrowing.	FLARED WINGS	Flared wing extensions as tall as 36" maximize efficiency and aggressively cast snow further when windrowing.
HEAVY-DUTY SLIDE BOX	Reduce the amount of snow that rolls off the top of the plow with standard flared wings that rise 6"-10" from the center pin.	HEAVY-DUTY SLIDE BOX	Reduce the amount of snow that rolls off the top of the plow with standard flared wings that rise 6"-10" from the center pin.
STRUCTURAL REINFORCEMENT	Eight vertical ribs, a heavy-duty quadrant and a dual WESTERN® POWER BAR provide exceptional torsional strength and rigidity across the entire back of the plow blade, eliminating blade twisting.	STRUCTURAL REINFORCEMENT	Six vertical ribs, a heavy-duty quadrant and a dual WESTERN POWER BAR provide exceptional torsional strength and rigidity across the entire back of the plow blade, eliminating blade twisting.
LIFT RAM	1 3/4"-diameter lift ram for more lifting power.	LIFT RAM	1 3/4"-diameter lift ram for more lifting power.
ACCESSORIES	Back Drag Edge, Rubber Deflector, Shoe Kits, Poly Moldboard Cutting Edge, Poly Wing Cutting Edge, 5/8" Steel Cutting Edge, Shock Absorber	ACCESSORIES	Back Drag Edge, Rubber Deflector, Shoe Kits, Poly Moldboard Cutting Edge, Poly Wing Cutting Edge, 5/8" Steel Cutting Edge, Shock Absorber
TRUCK CLASS	3, 4, 5	TRUCK CLASS	2, 3, 4

FEATURES	DESCRIPTION
BLADE SIZES	8'7" extends to 9'8" with wings pinned, 7'10" fully angled, and 8'10" in scoop
BLADE CONSTRUCTION	14-gauge powder coated steel.
AUTOMATIC ADJUSTING WINGS	Wings automatically adjust into scoop or windrow mode when you change the plowing angle with the control.
STRAIGHT BLADE CONFIGURATION	When the job calls for a large straight blade, the wings can be manually pinned into a 9'8" straight blade configuration.
HEAVY-DUTY SLIDE BOX	N/A
STRUCTURAL REINFORCEMENT	Six vertical ribs and the exclusive WESTERN® POWER BAR provide exceptional strength and rigidity across the entire back of the plow blade, eliminating blade twisting. Two additional ribs on each wing provide additional reinforcement.
LIFT RAM	1 3/4"-diameter lift ram for more lifting power.
ACCESSORIES	Back Drag Edge, Rubber Deflector, Shoe Kit, Shock Absorber
TRUCK CLASS	2, 3, 4



THE WESTERN WIDE-OUT AND WIDE-OUT XL ARE FOUR PLOWS IN ONE.



WESTERN PRODIGY PLOWING CONFIGURATIONS.





“ STRAIGHT AND TO THE POINT.

When you're looking to keep it simple for snow removal, our WESTERN® full line of straight blade plows are what you're looking for. With limited moving parts and the ability to raise, lower, and angle left and right—these plows move snow efficiently with little to go wrong.

SNOWPLOW
PICTURED:
PRO PLUS® HD

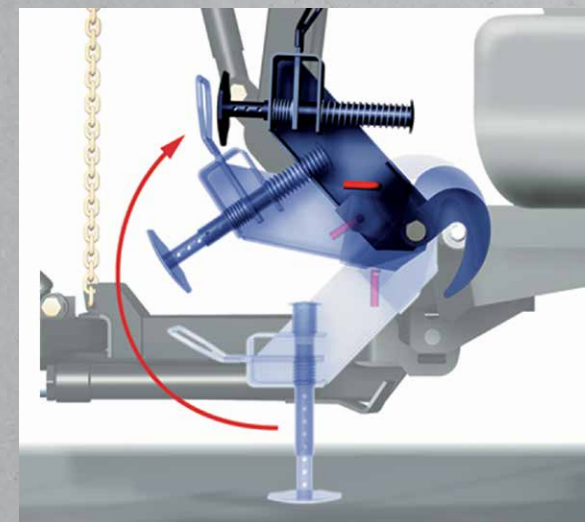


HYDRAULIC BLADE POSITION

Control lift and lower functionality and angle left and right from inside the truck cab.

STRAIGHT BLADE PLOW SERIES

FEATURING THE **PRO PLUS® HD**, **PRO PLUS®**, **PRO-PLOW® SERIES 2**, **MIDWEIGHT™**, **HTS™** AND **DEFENDER™** PLOWS



ATTACHMENT SYSTEMS

Fast and easy installation and removal of the blade to keep you running.

PRO PLUS® HD

Heavy-Duty Commercial-Grade Straight Blade for front-line duty



PRO PLUS®

Commercial-Grade Straight Blade for front-line duty



PRO-PLOW® SERIES 2

Robust Straight Blade for entry-level commercial use



FEATURES	DESCRIPTION	FEATURES	DESCRIPTION
BLADE SIZES	10'	BLADE SIZES	8', 8'6", 9'
BLADE CONSTRUCTION	11-gauge powder coated steel	BLADE CONSTRUCTION	12-gauge powder coated steel
STRUCTURAL REINFORCEMENT	Eight vertical ribs provide structural reinforcement, ensuring proper alignment and reducing stress on the overall plow assembly.	STRUCTURAL REINFORCEMENT	Eight vertical ribs, a heavy-duty quadrant and a dual WESTERN® POWER BAR provide exceptional torsional strength and rigidity across the entire back of the plow blade, eliminating blade twisting.
HIGH-STRENGTH STEEL BASE CHANNEL	6" high-carbon steel reduces wear and extends the life of the blade.	HIGH-STRENGTH STEEL BASE CHANNEL	6" high-carbon steel reduces wear and extends the life of the blade.
HIGH-STRENGTH RECTANGULAR TUBE QUADRANT	Built to withstand season after season of commercial use.	HIGH-STRENGTH RECTANGULAR TUBE QUADRANT	Built to withstand season after season of commercial use.
A-FRAME CONSTRUCTION	The 3" square tubing provides strength and durability.	A-FRAME CONSTRUCTION	The 3" square tubing provides strength and durability.
PIVOT BOLT	The 1"-diameter pivot bolt secures the plow in place, ensuring proper alignment and reducing stress on the overall plow assembly.	PIVOT BOLT	The 1"-diameter pivot bolt secures the plow in place, ensuring proper alignment and reducing stress on the overall plow assembly.
LIFT RAM	1 3/4"-diameter lift ram for more lifting power.	LIFT RAM	1 1/2"-diameter lift ram for more lifting power.
ACCESSORIES	Shoe Kits, Wheel Kit, Rubber Deflectors, Blade Angle Stop, Carbide Cutting Edge, 5/8" Steel Cutting Edge	ACCESSORIES	Curb Guards, Wing Extensions, Rubber Deflectors, Back Drag Edge, Poly Deflector, Carbide Cutting Edge*, 5/8" Steel Cutting Edge
UNIQUE FEATURES	N/A	UNIQUE FEATURES	Shoe Kit
TRUCK CLASS	5, 6, 7 (low-end)	TRUCK CLASS	2, 3, 4, 5

FEATURES	DESCRIPTION
BLADE SIZES	7'6", 8", 8'6"
BLADE CONSTRUCTION	11-gauge powder-coated steel; 0.375" high-density polyethylene (7'6", 8')
STRUCTURAL REINFORCEMENT	Seven vertical ribs provide structural reinforcement for exceptional torsional strength and rigidity, eliminating blade twisting.
HIGH-STRENGTH STEEL BASE CHANNEL	6" high-carbon steel reduces wear and extends the life of the blade.
HIGH-STRENGTH RECTANGULAR TUBE QUADRANT	Built to withstand season after season of commercial use.
A-FRAME CONSTRUCTION	The 3" square tubing provides strength and durability.
PIVOT BOLT	The 1"-diameter pivot bolt secures the plow in place, ensuring proper alignment and reducing stress on the overall plow assembly.
LIFT RAM	1 1/2"-diameter lift ram for more lifting power.
ACCESSORIES	Back Drag Edge, Cast Iron Curb Guard, Poly Deflector, Rubber Deflector (steel blades), 1/2" Steel Cutting Edge, Rubber Cutting Edge
UNIQUE FEATURES	Shoe Kit, Rubber Deflector (polyethylene blades)
TRUCK CLASS	2, 3

* Fits the 9' model only

MIDWEIGHT™

Robust Straight Blade for entry-level contractor use



HTS™

Steel Straight Blade Plow for contractors suitable for use on half-ton trucks



DEFENDER™

Steel Straight Blade Plow for contractors suitable for use on mid-sized pick-ups and Jeeps



FEATURES	DESCRIPTION	FEATURES	DESCRIPTION
BLADE SIZES	7'6"	BLADE SIZES	7'6"
BLADE CONSTRUCTION	14-gauge powder coated steel; 0.25" high-density polyethylene	BLADE CONSTRUCTION	14-gauge powder coated steel
STRUCTURAL REINFORCEMENT	Six vertical ribs and the exclusive WESTERN® POWER BAR provide unmatched structural reinforcement, delivering exceptional torsional strength and rigidity, eliminating blade twisting.	STRUCTURAL REINFORCEMENT	Six vertical ribs and the exclusive WESTERN POWER BAR provide unmatched structural reinforcement, delivering exceptional torsional strength and rigidity, eliminating blade twisting.
HIGH-STRENGTH STEEL BASE CHANNEL	Provides extra support along the bottom of the plow blade.	HIGH-STRENGTH STEEL BASE CHANNEL	Provides extra support along the bottom of the plow blade.
HIGH-STRENGTH RECTANGULAR TUBE QUADRANT	Built to withstand season after season of commercial use.	HIGH-STRENGTH RECTANGULAR TUBE QUADRANT	Built to withstand season after season of commercial use.
A-FRAME CONSTRUCTION	The 3" square tubing provides strength and durability.	A-FRAME CONSTRUCTION	The 3" square tubing provides strength and durability.
PIVOT BOLT	The 1"-diameter pivot bolt secures the plow in place, ensuring proper alignment and reducing stress on the overall plow assembly.	PIVOT BOLT	The 1"-diameter pivot bolt secures the plow in place, ensuring proper alignment and reducing stress on the overall plow assembly.
LIFT RAM	1 1/2"-diameter lift ram for more lifting power.	LIFT RAM	2"-diameter double-acting lift ram for more lifting
SCRAPE LOCK	N/A	SCRAPE LOCK	Hydraulically holds the blade down for more efficient scraping and clean back dragging.
ULTRAMOUNT SNOWPLOW MOUNTING SYSTEM	Designed for fast and easy installation and removal using a simple mechanical system. Features a one-piece design and is 100% compatible with UltraMount 2 system mounts and electrical platforms.	ULTRAMOUNT SNOWPLOW MOUNTING SYSTEM	Designed for fast and easy installation and removal using a simple mechanical system. Features a one-piece design and is 100% compatible with UltraMount 2 system mounts and electrical platforms.
ACCESSORIES	Back Drag Edge, Curb Guards, Rubber Deflector, Shoe Kits, 3/8" Steel Cutting Edge	ACCESSORIES	Back Drag Edge, Curb Guards, Shoe Kit, Rubber Deflector, 3/8" Steel Cutting Edge
TRUCK CLASS	2, 3	TRUCK CLASS	Half-ton

FEATURES	DESCRIPTION
BLADE SIZES	6'8", 7'2"
BLADE CONSTRUCTION	16-gauge powder-coated high-strength, low alloy steel that is stronger and lighter than conventional steel
STRUCTURAL REINFORCEMENT	Six vertical ribs deliver exceptional torsional rigidity, eliminating blade twisting.
HIGH-STRENGTH STEEL BASE CHANNEL	Provides extra support along the bottom of the plow blade.
HIGH-STRENGTH RECTANGULAR TUBE QUADRANT	Built to withstand season after season of commercial use.
A-FRAME CONSTRUCTION	The 3" square tubing provides strength and durability.
PIVOT BOLT	The 1"-diameter pivot bolt secures the plow in place, ensuring proper alignment and reducing stress on the overall plow assembly.
LIFT RAM	1 1/2"-diameter double-acting lift ram for more lifting power.
SCRAPE LOCK	Hydraulically holds the blade down for more efficient scraping and clean back dragging.
GROUND CLEARANCE	When the plow is not in use, quickly maximize vehicle ground clearance with removable receiver brackets. No tools are required.
ACCESSORIES	3/8" Steel Cutting Edge, Poly Cutting Edge, Rubber Deflector, Curb Guards, Shoe Kit
TRUCK CLASS	Jeeps, mid-size pickups

CONTROL OVERVIEW

Once you introduce your crew to WESTERN® plows, you can grow within our range of plows easily. Our common control pattern allows you to update your plows without having to retrain your plow operators on a new control. This allows you to maintain efficiency as the demands of your property portfolio changes.



PROTECT YOUR INVESTMENT WITH WESTERN® PARTS & ACCESSORIES.



CUTTING EDGES

Keep your blade at the top of its game by installing a genuine WESTERN cutting edge. Cutting edges increase wear resistance and restore your worn base angle to the proper geometry. Steel, rubber, poly, and carbide options available depending on plow model.



BACK DRAG EDGE

Angled to maximize back dragging, the WESTERN back drag edge is constructed of ¼" abrasion-resistant steel. Easy to install, a back drag edge ensures a clean scrape every time.



WING EXTENSIONS

Expand the carrying capacity of select plows by adding a pair of genuine WESTERN plow wings. MVP 3" plow wings shown.



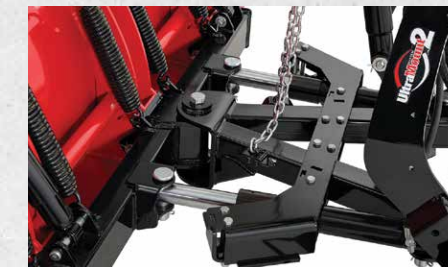
PRO-GRIP MOUNT

Kit contains adhesive-backed locking strips to secure the WESTERN solenoid control and spreader controls to interior vehicle surfaces. Allows the control to be easily removed yet held firmly in place.



GRILLE PLATE

Create clean and professional looking snowplow installations with the stainless steel grille plate kits. Customizable 11-pin and 14-pin kits create harness storage locations for any application.



BLADE ANGLE STOP

Protect your plow by ensuring heavy loads are distributed evenly. Made of reinforced, 0.188", high-strength steel tube, blade stops reduce stress and wear on heavy-duty plow blades. PRO PLUS® HD blade shown.



POLY SNOW DEFLECTOR

This heavy-duty poly snow deflector is curved to improve snow containment and Roll-Action™ handling.



RUBBER SNOW DEFLECTORS – 10" AND 18"

Made from 2-ply, heavy-duty rubber, these easy-to-install rubber deflector kits provide improved visibility by deflecting snow forward instead of onto your windshield.



SHOE KITS

Shoe kits help your plow glide over gravel and dirt at the correct height and extend cutting edge and base angle life when plowing on rocky or abrasive surfaces. Kits vary by plow model. Extreme wear shoe kits available for specific models.



SNOWPLOW EMERGENCY PARTS KIT

Be prepared! Packed in an easy-to-store WESTERN Factory Original nylon duffel bag, these parts kits provide the high-volume, Factory Original parts needed for emergency snowplow repairs.



HIGH-PERFORMANCE HYDRAULIC FLUID

Available in quart and gallon containers, WESTERN high-performance hydraulic fluid is formulated to provide better viscosity in all temperatures. This means your plow will operate at the optimum level no matter what the weather conditions.



EXTREME DEFENSE™ GREASE

Defends and protects plow and spreader bearings, pivot points, and moving components from wear and corrosion, even in extreme cold.



COMMERCIAL BLADE GUIDES

Commercial blade guides are highly visible bright red, enhanced with reflective tape, and available in 24" or 36" lengths.



WESTERN BLADE GUIDES WITH FLAGS

These attractive blade guides with replaceable flags help improve operator visibility and plow blade positioning.



CONTROL CUP HOLDER MOUNT

Functional and practical, the Control Cup Holder Mount lets you secure your WESTERN plow control or your smartphone on a flexible gooseneck mount for optimal, customizable positioning.



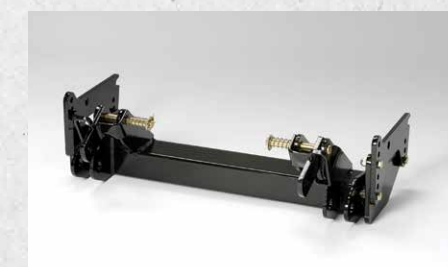
WESTERN FACTORY ORIGINAL PAINT

Time to touch up your WESTERN snowplow blade or black iron? Available in spray or quart cans, in red or black, topcoat or the primer-based undercoat, these Factory Original paints provide durable coverage and are formulated to match your original equipment.



DIELECTRIC GREASE

Western Products recommends all owners consistently use our special formulation dielectric grease to reduce the risk of corrosion problems and protect all electrical connections in tough winter snow, ice, and salt conditions.



CONVERSION KIT

This easy-to-use UltraMount® to UniMount® conversion kit enables you to attach a UniMount plow to a vehicle equipped with an UltraMount system vehicle mount. This kit is perfect if you have multiple snowplows.

PLOW ACCESSORY MATRIX

	MVP 3™ 10'6"	MVP 3 9'6"	MVP 3 8'6"	MVP PLUS™ 9'6"	MVP PLUS 8'6"	ENFORCER™ 7'6"	WIDE-OUT™ XL	WIDE-OUT™	PRODIGY™
	V-PLOWS						WINGED PLOWS		
1/2" STEEL CUTTING EDGE	std	std	X	std	X	X	std	std	
5/8" STEEL CUTTING EDGE	X	X	X	X	X			X	
3/4" CARBIDE CUTTING EDGE	X	X	X	X	X				
POLY MOLDBOARD CUTTING EDGE							X	X	
POLY WING CUTTING EDGE							X	X	
POLY CUTTING EDGE	X	X	X	X	X	X			
SHOCK ABSORBER KIT									X
BACK DRAG EDGE*	X	X	X	X	X	X	X	X	X
CURB GUARD – OUTER EDGE**	std								
CURB GUARD – PAIR**		X	X	X	X	X			
DEFLECTOR KIT							X	X	
RUBBER DEFLECTOR	X	X	X	X	X	X			X
CUP HOLDER CONTROL MOUNT	X	X	X	X	X	X	X	X	X
PRO GRIP MOUNT	X	X	X	X	X	X	X	X	X
SECURITY KIT FOR LED HEADLIGHTS	X	X	X	X	X	X	X	X	X
GRILLE PLATE – 11- OR 14-PIN KIT	X	X	X	X	X	X	X	X	X
BLADE ANGLE STOP		X	X	X	X	X			
SHOE KIT*	X	X	X	X	X	X	X	X	X
EXTREME WEAR SHOE KIT	X	X	X	X	X	X			
WING EXTENSION KIT**		X	X	X	X				

	PRO PLUS® HD 10'	PRO PLUS® 9'	PRO PLUS 8'6" & 8'	PRO-PLOW® SERIES 2 8'6"	PRO-PLOW SERIES 2 8' POLY	PRO-PLOW SERIES 2 8' STEEL	PRO-PLOW SERIES 2 7'6" POLY	PRO-PLOW SERIES 2 7'6" STEEL	MIDWEIGHT™	HTS™ 7'6"	DEFENDER™ 7'2" & 6'8"
	STRAIGHT BLADE PLOWS										
1/4" STEEL CUTTING EDGE											std
3/8" STEEL CUTTING EDGE				std	std	std	std	std	std	std	X
1/2" STEEL CUTTING EDGE	std	std	std	X	X	X	X	X			
5/8" STEEL CUTTING EDGE	X	X									
3/4" CARBIDE CUTTING EDGE	X	X									
POLY CUTTING EDGE											X
RUBBER CUTTING EDGE				X	X	X	X	X			
BACK DRAG EDGE*		X	X	X	X	X	X	X	X	X	
CURB GUARD – SINGLE**				X	X	X	X	X			
CURB GUARD – PAIR**		X	X						X	X	X
POLY DEFLECTOR		X	X			X		X	X		
RUBBER DEFLECTOR	X	X	X	X	std	X	std	X	X	X	X
CUP HOLDER CONTROL MOUNT	X	X	X	X	X	X	X	X	X	X	X
PRO GRIP MOUNT	X	X	X	X	X	X	X	X	X	X	X
SECURITY KIT FOR LED HEADLIGHTS	X	X	X	X	X	X	X	X	X	X	X
GRILLE PLATE – 11- OR 14-PIN KIT	X	X	X	X	X	X	X	X	X	X	X
BLADE ANGLE STOP	X										
SHOE KIT*	X	std	std	std	std	std	std	std	X	X	X
EXTREME WEAR SHOE KIT	X										
WING EXTENSION KIT**		X	X								

std = Included standard with plow
x = Sold separately

* Cannot use plow shoes and back drag edges simultaneously
** Cannot use curb guards and wing extension kits simultaneously

SPECIFICATIONS

MVP 3™



PLOW TYPE	V-PLOW	V-PLOW	V-PLOW
MOLDBOARD OPTIONS	Steel/Stainless/Poly	Steel/Stainless/Poly	Steel/Stainless
BLADE WIDTH	8'6" (2.59 m)	9'6" (2.90 m)	10'6" (3.20 m)
BLADE HEIGHT	At Center: 31" (78.74 cm) At End: 38" (96.52 cm)	At Center: 31" (78.74 cm) At End: 39" (99.06 cm)	At Center: 35" (88.90 cm) At End: 45" (114.30 cm)
BLADE THICKNESS	Steel: 14 ga Poly: 0.25" (6.40 mm)	Steel: 14 ga Poly: 0.25" (6.40 mm)	Steel: 11 ga Stainless: 12 ga
SHOCK ABSORBERS	—	—	—
TRIP SPRINGS	4	6	6
RIBS	8	8	8
LIFT CYLINDER	1.75" x 8" (4.45 cm x 20.32 cm)	1.75" x 8" (4.45 cm x 20.32 cm)	1.75" x 8" (4.45 cm x 20.32 cm)
ANGLING RAMS	1.75" x 11" (4.45 cm x 27.94 cm)	1.75" x 11" (4.45 cm x 27.94 cm)	2" x 11" (5.08 cm x 27.94 cm)
PLOWING WIDTH (FULL ANGLE)	Full Angle: 7'5" (2.26 m) Scoop: 7'2" (2.18 m) Full V: 7'8" (2.34 m)	Full Angle: 8'6" (2.59 m) Scoop: 8'2" (2.49 m) Full V: 8'7" (2.62 m)	Full Angle: 9'9" (2.97 m) Scoop: 9'7" (2.92 m) Full V: 9'11" (3.02 m)
APPROX. WEIGHT* (LESS MOUNT)	Steel: 988 lbs (448 kg) Poly: 943 lbs (427 kg)	Steel: 1,070 lbs (485 kg) Poly: 1,013 lbs (459 kg)	1,301 lbs (589 kg)
CUTTING EDGE	3/8" x 6" (0.95 cm x 15.24 cm) 1/2" x 6"*** (1.27 cm x 15.24 cm)	1/2" x 6" (1.27 cm x 15.24 cm)	1/2" x 6" (1.27 cm x 15.24 cm)
MOUNT TYPE	UltraMount® 2	UltraMount 2	UltraMount 2

* UltraMount 2 mount weight range: 28 lb to 145 lb (12.70 kg to 65.77 kg)
** Optional accessory

MVP PLUS™



PLOW TYPE	V-PLOW	V-PLOW	V-PLOW
MOLDBOARD OPTIONS	Steel/Poly	Steel/Poly	Steel/Stainless
BLADE WIDTH	8'6" (2.59 m)	9'6" (2.90 m)	7'6" (2.29 m)
BLADE HEIGHT	29" (73.66 cm)	31" (78.74 cm)	At Center: 27" (68.58 cm) At End: 33" (83.82 cm)
BLADE THICKNESS	Steel: 14 ga Poly: 0.25" (6.40 mm)	Steel: 14 ga Poly: 0.25" (6.40 mm)	Steel: 14 ga
SHOCK ABSORBERS	—	—	—
TRIP SPRINGS	4	6	2
RIBS	8	8	6
LIFT CYLINDER	1.5" x 8" (3.81 cm x 20.32 cm)	1.5" x 8" (3.81 cm x 20.32 cm)	1.25" x 8.625" (3.18 cm x 21.91 cm)
ANGLING RAMS	1.75" x 11" (4.45 cm x 27.94 cm)	1.75" x 11" (4.45 cm x 27.94 cm)	1.5" x 12" (3.81 cm x 30.48 cm)
PLOWING WIDTH (FULL ANGLE)	Full Angle: 7'5" (2.26 m) Scoop: 7'1" (2.16 m) Full V: 7'7" (2.31 m)	Full Angle: 8'3" (2.51 m) Scoop: 7'11" (2.41 m) Full V: 8'7" (2.62 m)	Full Angle: 6'7" (2.01 m) Scoop: 6'5" (1.96 m) Full V: 6'9" (2.06 m)
APPROX. WEIGHT* (LESS MOUNT)	Steel: 887 lbs (402 kg) Poly: 854 lbs (387 kg)	Steel: 997 lbs (452 kg) Poly: 954 lbs (432 kg)	Steel: 556 lbs (252kg) Powder Coated: 511 lbs (231 kg)
CUTTING EDGE	3/8" x 6" (0.95 cm x 15.24 cm) 1/2" x 6"***	1/2" x 6" (1.27 cm x 15.24 cm)	3/8" x 6" (0.95 cm x 15.24 cm)
MOUNT TYPE	UltraMount 2	UltraMount 2	UltraMount 2

* UltraMount 2 mount weight range: 28 lb to 145 lb (12.70 kg to 65.77 kg)
** Optional accessory

ENFORCER™



WIDE-OUT™**



WIDE-OUT™ XL



PRODIGY™



PLOW TYPE	WINGED	WINGED	WINGED
MOLDBOARD OPTIONS	Steel	Steel	Steel
BLADE WIDTH	Retracted: 8' (2.44 m) Expanded: 10' (3.05 m) Scoop: 8'10" (2.69 m)	Retracted: 8'6" (2.59 m) Expanded: 11' (3.35 m) Scoop: 9'10" (3.00 m)	Scoop: 8'7" (2.62 m) Wings Pinned: 9'8" (2.95 m)
BLADE HEIGHT	At Center: 31" (78.74 cm) At End: 35" (88.90 cm)	At Center: 31" (78.74 cm) At End: 36" (91.44 cm)	29.5" (74.93 cm)
BLADE THICKNESS	14 ga	14 ga	12 ga
SHOCK ABSORBERS	Optional	Optional	Optional
TRIP SPRINGS	4	4	4
RIBS	6	8	8
LIFT CYLINDER	1.75" x 8" (4.45 cm x 20.32 cm)	1.75" x 8" (4.45 cm x 20.32 cm)	1.5" x 8" (3.81 cm x 20.32 cm)
ANGLING RAMS	1.5" x 10" (3.81 cm x 25.40 cm)	1.5" x 10" (3.81 cm x 25.40 cm)	1.5" x 10" (3.81 cm x 25.40 cm)
PLOWING WIDTH (FULL ANGLE)	Retracted: 7'2" (2.18 m) Expanded: 9' (2.74 m) Scoop: 7'11" (2.41 m)	Retracted: 7'11" (2.41 m) Expanded: 10'6" (3.20 m) Scoop: 9'6" (2.90 m)	Full Angle: 7'10" (2.39 m) Scoop: 8'7" (2.61 m)
APPROX. WEIGHT* (LESS MOUNT)	1,057 lbs (479 kg)	1,120 lbs (507 kg)	911 lbs (413 kg)
CUTTING EDGE	1/2" x 6" (1.27 cm x 15.24 cm)	1/2" x 6" (1.27 cm x 15.24 cm)	1/2" x 6" (1.27 cm x 15.24 cm)
MOUNT TYPE	UltraMount® 2	UltraMount 2	UltraMount 2

* UltraMount 2 mount weight range: 28 lb to 145 lb (12.70 kg to 65.77 kg)
** All product features and specifications listed in this brochure apply to WIDE-OUT snowplows with serial numbers beginning with 180210 and higher

PRO PLUS® HD

PRO PLUS®



PLOW TYPE	STRAIGHT	STRAIGHT	STRAIGHT	STRAIGHT
MOLDBOARD OPTIONS	Steel	Steel	Steel	Steel
BLADE WIDTH	10' (3.05 m)	8' (2.44 m)	8'6" (2.59 m)	9' (2.74 m)
BLADE HEIGHT	34" (86.36 cm)	31.5" (80.01 cm)	31.5" (80.01 cm)	31.5" (80.01 cm)
BLADE THICKNESS	11 ga	12 ga	12 ga	12 ga
SHOCK ABSORBERS	2	2	2	2
TRIP SPRINGS	6	4	4	4
RIBS	8	8	8	8
LIFT CYLINDER	1.75" x 8" (4.45 cm x 20.32 cm)	1.5" x 8" (3.81 cm x 20.32 cm)	1.5" x 8" (3.81 cm x 20.32 cm)	1.5" x 8" (3.81 cm x 20.32 cm)
ANGLING RAMS	2" x 12.5" (5.08 cm x 31.75 cm)	1.5" x 12" (3.81 cm x 30.48 cm)	1.5" x 12" (3.81 cm x 30.48 cm)	1.5" x 12" (3.81 cm x 30.48 cm)
PLOWING WIDTH (FULL ANGLE)	8'9" (2.67 m)	6'11" (2.11 m)	7'4" (2.24 m)	7'9" (2.36 m)
APPROX. WEIGHT* (LESS MOUNT)	1,076 lbs (487 kg)	823 lbs (373 kg)	840 lbs (381 kg)	858 lbs (389 kg)
CUTTING EDGE	1/2" x 6" (1.27 cm x 15.24 cm)	1/2" x 6" (1.27 cm x 15.24 cm)	1/2" x 6" (1.27 cm x 15.24 cm)	1/2" x 6" (1.27 cm x 15.24 cm)
MOUNT TYPE	UltraMount 2	UltraMount 2	UltraMount 2	UltraMount 2

* UltraMount 2 mount weight range: 28 lb to 145 lb (12.70 kg to 65.77 kg)

SPECIFICATIONS

PRO-PLOW® SERIES 2



PLOW TYPE	STRAIGHT	STRAIGHT	STRAIGHT
MOLDBOARD OPTIONS	Steel/Poly	Steel/Poly	Steel
BLADE WIDTH	7'6" (2.29 m)	8' (2.44 m)	8'6" (2.59 m)
BLADE HEIGHT	29" (73.66 cm)	29" (73.66 cm)	29" (73.66 cm)
BLADE THICKNESS	Steel: 11 ga Poly: 0.375" (9.52 mm)	Steel: 11 ga Poly: 0.375" (9.52 mm)	11 ga
SHOCK ABSORBERS	1	1	1
TRIP SPRINGS	4	4	4
RIBS	7	7	7
LIFT CYLINDER	1.5" x 8" (3.81 cm x 20.32 cm)	1.5" x 8" (3.81 cm x 20.32 cm)	1.5" x 8" (3.81 cm x 20.32 cm)
ANGLING RAMS	1.5" x 10" (3.81 cm x 25.40 cm)	1.5" x 10" (3.81 cm x 25.40 cm)	1.5" x 10" (3.81 cm x 25.40 cm)
PLOWING WIDTH (FULL ANGLE)	6'6" (1.98 m)	6'11" (2.11 m)	7'4" (2.24 m)
APPROX. WEIGHT* (LESS MOUNT)	Steel: 705 lbs (319 kg) Poly: 728 lbs (330 kg)	Steel: 720 lbs (326 kg) Poly: 740 lbs (335 kg)	738 lbs (334 kg)
CUTTING EDGE	3/8" x 6" (0.95 cm x 15.24 cm)	3/8" x 6" (0.95 cm x 15.24 cm)	3/8" x 6" (0.95 cm x 15.24 cm)
MOUNT TYPE	UltraMount® 2	UltraMount 2	UltraMount 2

* UltraMount 2 mount weight range: 28 lb to 145 lb (12.70 kg to 65.77 kg)

MIDWEIGHT™

HTS™



PLOW TYPE	STRAIGHT	STRAIGHT
MOLDBOARD OPTIONS	Steel/Poly	Steel
BLADE WIDTH	7'6" (2.29 m)	7'6" (2.29 m)
BLADE HEIGHT	27" (68.58 cm)	27" (68.58 cm)
BLADE THICKNESS	Steel: 14 ga Poly: 0.25" (6.40 mm)	14 ga
TRIP SPRINGS	2	2
SHOCK ABSORBERS	—	—
RIBS	6	6
LIFT CYLINDER	1.5" x 8" (3.81 cm x 20.32 cm)	2" x 6.75" (5.08 cm x 17.15 cm)
ANGLING RAMS	1.5" x 10" (3.81 cm x 25.40 cm)	1.5" x 8" (3.81 cm x 20.32 cm)
PLOWING WIDTH (FULL ANGLE)	6'6" (1.98 m)	6'7" (2.01 m)
APPROX. WEIGHT* (LESS MOUNT)	Steel: 592 lbs (268 kg) Poly: 574 lbs (260 kg)	412 lbs (187 kg)
CUTTING EDGE	3/8" x 6" (0.95 cm x 15.24 cm)	5/16" x 6" (0.80 cm x 15.24 cm)
MOUNT TYPE	UltraMount 2	UltraMount®

* UltraMount 2 mount weight range: 28 lb to 145 lb (12.70 kg to 65.77 kg)

DEFENDER™

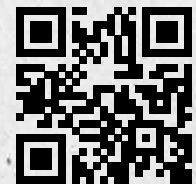


PLOW TYPE	STRAIGHT	STRAIGHT
MOLDBOARD OPTIONS	Steel	Steel
BLADE WIDTH	6'8" (2.00 m)	7'2" (2.10 m)
BLADE HEIGHT	23.5" (59.70 cm)	23.5" (59.70 cm)
BLADE THICKNESS	16 ga	16 ga
SHOCK ABSORBERS	—	—
TRIP SPRINGS	2	2
RIBS	6	6
LIFT CYLINDER	1.5" x 6" (3.81 cm x 15.24 cm)	1.5" x 6" (3.81 cm x 15.24 cm)
ANGLING RAMS	1" x 7" (2.54 cm x 17.78 cm)	1" x 7" (2.54 cm x 17.78 cm)
PLOWING WIDTH (FULL ANGLE)	5'11" (1.80 m)	6'5" (1.96 m)
APPROX. WEIGHT (LESS MOUNT)	287.5 lbs (130 kg)	294.5 lbs (133 kg)
CUTTING EDGE	1/4" x 5" (0.60 cm x 12.70 cm)	1/4" x 5" (0.60 cm x 12.70 cm)
MOUNT TYPE	Personal Plow	Personal Plow

WEBSITE RESOURCES

FIND THE PLOWS THAT BEST FIT YOUR VEHICLE

Quick Match lets you easily identify which WESTERN® snowplows will fit your vehicle, based on your vehicle's unique specifications. For future reference and comparison purposes, you can save your selected plow in our system database, print out the information or email it to your inbox. Find the WESTERN snowplows that will help you get more jobs done by visiting at westernplows.com/quick-match.



YOUR LOCAL WESTERN DEALER IS HERE TO HELP

Call or visit your local WESTERN dealer to learn more about Western Products' full-line of professional-grade snowplows and spreaders, to inquire about product availability or installation, or ask any questions about which products would be the best fit for your job or vehicle applications. Find your local WESTERN dealer by visiting westernplows.com/dealers.

WARRANTY & REGISTRATION

Western Products offers a 2-year limited warranty on most WESTERN snow and ice control products. Register your equipment today to create a record of your purchase and receive a full range of benefits including trouble-free warranty work, serial number identification for theft protection, and promotions. Register your products by visiting westernplows.com/warranty.



Western Products | P.O. Box 245038 | Milwaukee, WI 53224-9538

westernplows.com



Western Products reserves the right under its product improvement policy to change construction or design details and furnish equipment when so altered without reference to illustrations or specifications used. Western Products or the vehicle manufacturer may require or recommend optional equipment for snow removal. Do not exceed vehicle ratings with a snowplow. This product is manufactured under the following US patents: 7,134,227; 8,850,724; 9,200,418; 9,822,563; 10,793,056; CAN patents: 2,466,195; 2,843,990; and other patents pending. Western Products offers a limited warranty for all snowplows and accessories. See separately printed page for this important information. The following are registered (®) or unregistered (™) trademarks of Douglas Dynamics, LLC: CONTRACTOR GRADE™, DEFENDER™, EdgeView™, ENFORCER™, EXTREME DEFENSE™, HTS™, IMPACT™, MIDWEIGHT™, MVP 3™, MVP PLUS™, NIGHTHAWK™, PILE DRIVER™, PRO-PLOW® Series 2, PRO PLUS®, PRO PLUS® HD, PRODIGY™, Roll-Action™, SECURITY GUARD™, Striker™, ULTRAFINISH™, UltraMount™, UltraMount® 2, UniMount®, WESTERN®, WIDE-OUT™ and WIDE-OUT™ XL.

©2024 Douglas Dynamics, LLC
All rights reserved.

 A DIVISION OF DOUGLAS DYNAMICS, LLC

Printed in U.S.A.
Form No. 79323 - APR24