

WALKER

Illustrated Parts Manual

Side Discharge Deck, Rear Discharge Deck, and Carrier Frame Assemblies

DS36

DS42

DS48

DS52

DR52

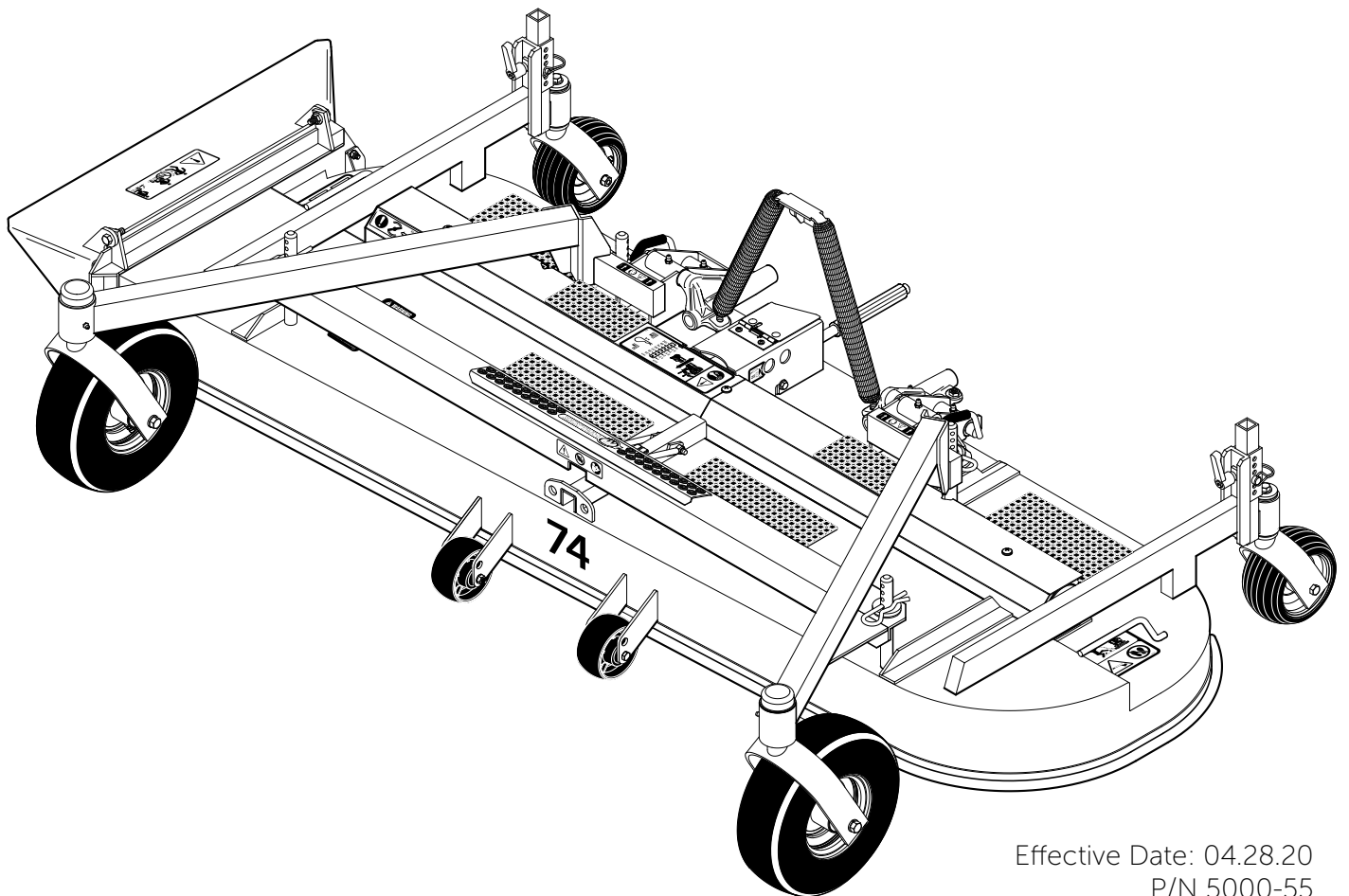
DS56

DS61

DS62

DR64

DS74



Effective Date: 04.28.20
P/N 5000-55

KEY TO ABBREVIATIONS USED IN THIS MANUAL

<i>Abbreviation</i>	<i>What it Represents</i>
° (Dimension)	Degrees (Angle)
" (Dimension)	inches
(-)	Negative (Polarity)
(+)	Positive (Polarity)
AT	All-Terrain
CCW	Counter-clockwise
Conn	Connector
CW	Clockwise
D	Diameter
DC	Deck, Collection (number refers to size in inches)
DM	Deck, Mulching (number refers to size in inches)
DR	Deck, Rear Discharge (number refers to size in inches)
DS	Deck, Side Discharge (number refers to size in inches)
DU	Garlock (Bearing)
ESNA (Fastener)	Nylon Insert Locknut
FSC	Forward Speed Control
GA	Gauge
gal	gallon
GHS	Grass Handling System
GR (Fastener)	Grade
HD	Heavy Duty
HP	Horse Power
ID	Identification or Inside Diameter
L	Length
LH	Left Hand (orientated with operator on seat)
LP	Low Profile
mm (Dimension)	millimeters
MS (Fastener)	Machine Screw
NS (as part number)	Item is not sold by Walker Manufacturing
OD	Outside Diameter
oz	ounce
PFH (Fastener)	Phillips Flat Head
P/N	Part Number
PPH (Fastener)	Phillips Pan Head
PTH (Fastener)	Phillips Truss Head
PTO	Power Take-Off
QKS	Quick Slide
qt	quart
RH	Right Hand (orientated with operator on seat)
SAE (Fastener)	Society of Automotive Engineers
SBH (Fastener)	Socket Button Head (Bolt)
SD	Side Discharge
SFH (Fastener)	Slotted Flat Head
SHC (Fastener)	Socket Head Cap
SHL (Fastener)	Shoulder (Bolt)
SM (Fastener)	Sheet Metal (Screw)
S/N	Serial Number
Spg	Spring
SQH (Fastener)	Square Head
SS (Fastener)	Stainless Steel
ST (Fastener)	Self-Tapping (Screw)
Term	Terminal
V	Volts

NOTE: In some instances, combinations of abbreviations may be used (e.g. PPHMS - Phillips Pan Head Machine Screw).

ILLUSTRATED PARTS LIST

<i>Section of Deck Covered</i>	<i>Page</i>	<i>Section of Deck Covered</i>	<i>Page</i>
Decals & Paint		Maintenance	
DS36, DS42, DS48, DS52 & DS56 Deck Decals	2	Optional Break-Away Blades	54
DR52, DS61 & DR64 Deck Decals.....	4	Blade Usage Chart.....	55
DS62 & DS74 Deck Decals / Touch-Up Paint.....	6	Lubrication Points	56
Deck and Carrier Frame Assemblies		Fastener Loctite® Application & Torque Instructions	60
DS36 Complete Carrier Frame Assembly	8	H24d, H27i And H37i Deck Arm Adapter Kit	62
DS36 Deck Assembly	10	Maintenance And Service Record Sheet.....	63
DS42 Complete Carrier Frame Assembly	12	Deck / Tractor Compatibility Chart.....	64
DS42 Deck Assembly	14		
DS48 Complete Carrier Frame Assembly	16	Warranty	
DS48 Deck Assembly	18	Limited Warranty.....	65
DS52 Complete Carrier Frame Assembly	20		
DS52 Deck Assembly	22		
DS52 Mulching Kit	24		
DR52, DS61 & DR64 Carrier Frame Footrest Components	26		
DR52 Complete Carrier Frame Assembly	28		
DR52 Deck Assembly	30		
DS56 Complete Carrier Frame Assembly	32		
DS56 Deck Assembly	34		
DS61 Complete Carrier Frame Assembly	36		
DS61 Deck Assembly	38		
DS61 Mulching Kit	40		
DS62 Complete Carrier Frame Assembly	42		
DS62 Deck Assembly	44		
DR64 Complete Carrier Frame Assembly	46		
DR64 Deck Assembly	48		
DS74 Complete Carrier Frame Assembly	50		
DS74 Deck Assembly	52		

DS36, DS42, DS48, DS52 & DS56 DECK DECALS

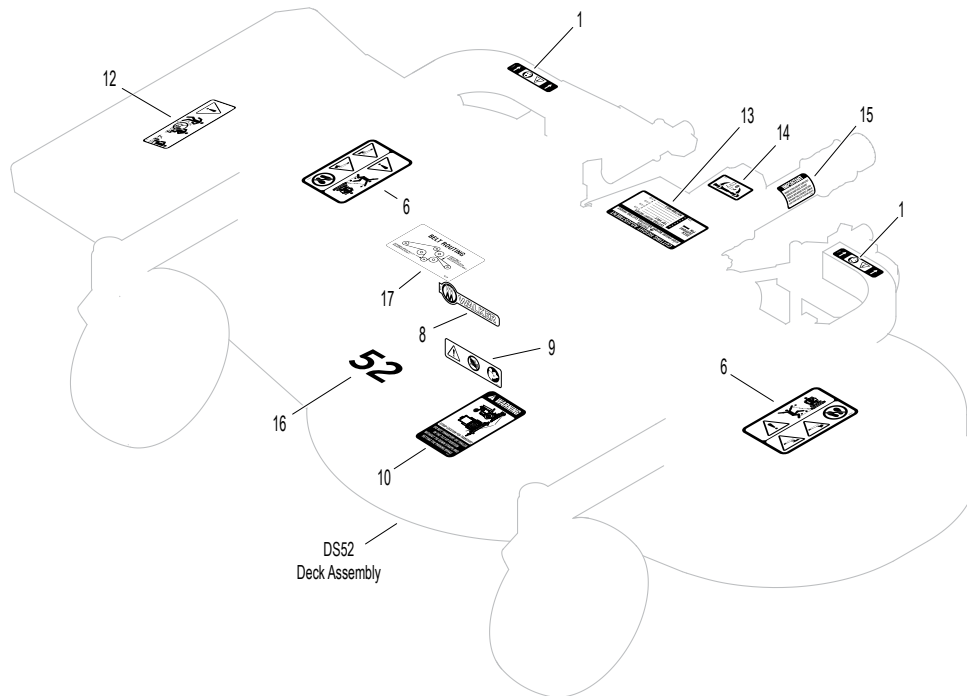
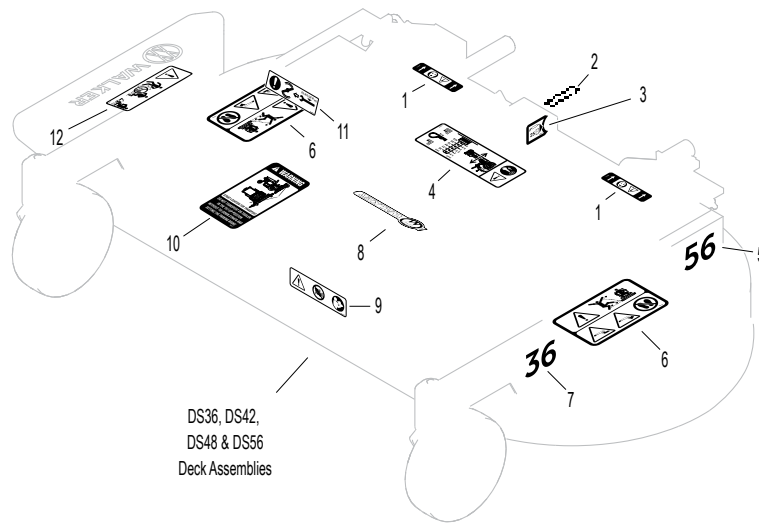
ITEM NO.	PART NO.	DESCRIPTION	LOCATION	NO. REQ'D
DS36, DS42, DS48 & DS56 Deck Decals				
1	8600-15	Caution, Tilt-Up Deck Lock	Carrier Frame	2
2	6875	PTO Alignment Arrow	Universal Joint Shaft Assembly	1
3	5846-1	Grease Fitting	PTO Shaft Guard	1
4	8600-39	Cutting Height Adjustment	Gearbox Cover	1
5	6789	Decal (56")	Carrier Frame	1
6	8600-28	Danger, Rotating Blades	Deck Housing (one on each end)	2
7	8821-14	Decal (36")	Carrier Frame	1
	8821-15	Decal (42")	Carrier Frame	1
	8821-16	Decal (48")	Carrier Frame	1
8	5809-2	Decal, Walker	Carrier Frame	1
9	8600-14	Danger, Tilt-Up	Carrier Frame, Front	1
10	8653-1	Transport Warning, DS56	Deck Housing	1
11	8600-9	Blade Mounting Torque	Gearbox Cover	1
12	5848-3	Danger, Side Discharge Shield	Side Discharge Shield	1

DS52 Deck Decals

1	8600-15	Caution, Tilt-Up Deck Lock	Carrier Frame	2
6	8600-28	Danger, Rotating Blades	Cover Plate (one on each end)	2
8	5809-2	Decal, Walker	Carrier Frame, Front	1
9	8600-14	Danger, Tilt-Up	Deck Housing, Front	1
10	8653-1	Transport Warning	Deck Housing	1
12	5848-3	Danger, Side Discharge Shield	Side Discharge Shield	1
13	8748	Cutting Height Adjustment	Footrest Pulley Guard	1
14	8746-2	Universal Joint Lube	PTO Cover Plate	1
15	8746-1	Decal, Tele PTO Shaft	Universal Joint Shaft Assembly	1
16	8732	Decal (52")	Deck Housing	1
17	8734	Drive Belt Routing	Underneath Deck Cover Plate	1

NOTE: All parts requiring decals are shipped with decals applied.

DS36, DS42, DS48, DS52 & DS56 DECK DECALS



DR52, DS61 & DR64 DECK DECALS

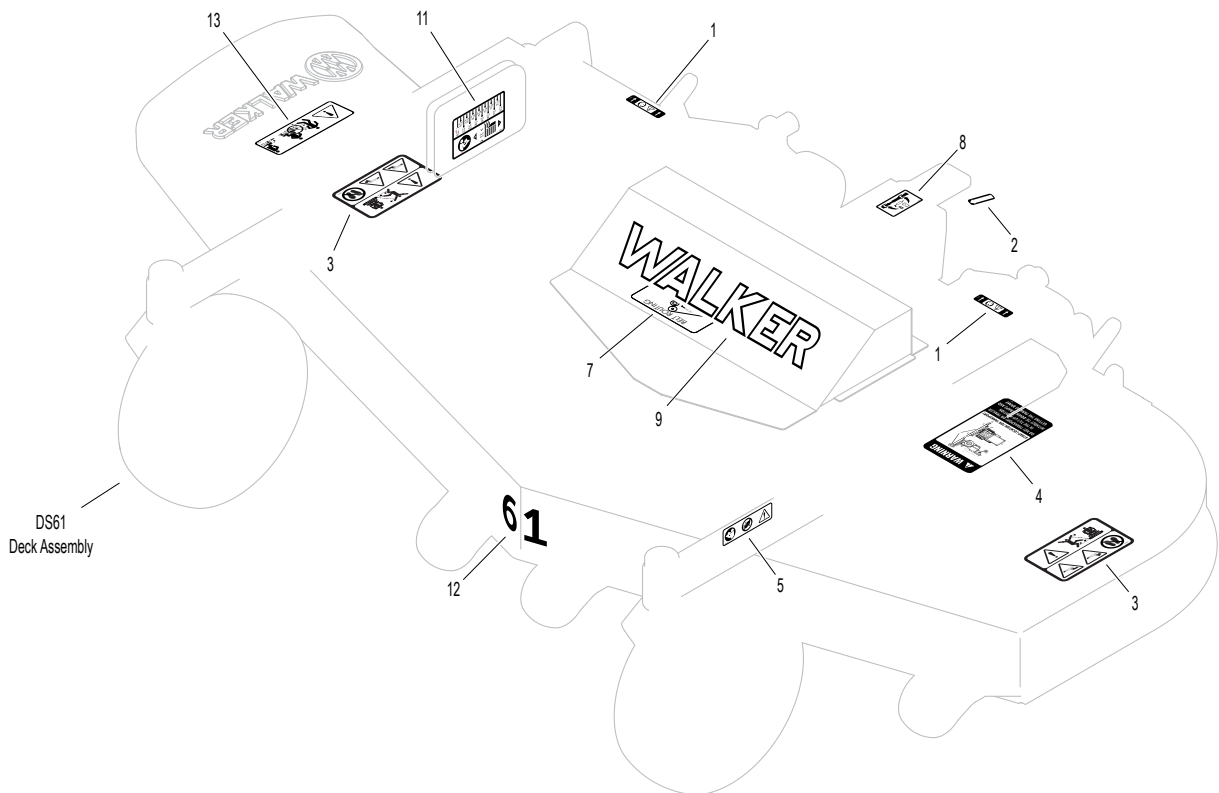
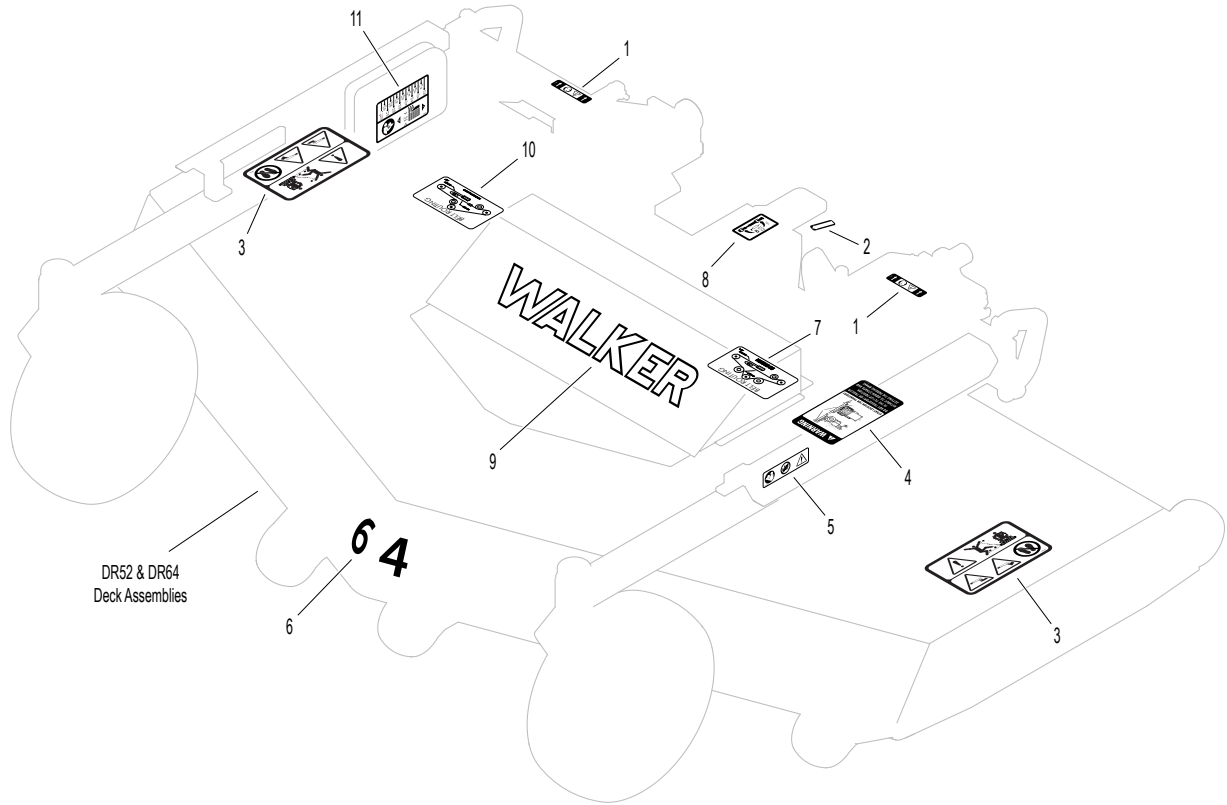
ITEM NO.	PART NO.	DESCRIPTION	LOCATION	NO. REQ'D
DR52 & DR64 Deck Decals				
1	8600-15	Caution, Tilt-Up Deck Lock	Carrier Frame	2
2	6875	PTO Alignment Arrow	Universal Joint Tube Assembly	1
3	8600-28	Danger, Rotating Blades	Deck Housing (one on each end)	2
4	8653-1	Transport Warning	Spindle Cover	1
5	8600-14	Danger, Tilt-Up	Carrier Frame	1
6	2732-1	Decal (64")	Deck Housing, Front	1
	8732	Decal (52")	Deck Housing, Front	1
7	2749-5	Decal, Drive Belt Routing (DR52)	Deck Housing	1
8	8746-2	Universal Joint Lube	PTO Guard Cover	1
9	5800-8	Decal, Walker 16"	Belt Cover	1
10	2749-7	Decal, Drive Belt Routing (DR64)	Deck Housing	1
11	2748-2	Cutting Height Adjustment	Carrier Frame	1

DS61 Deck Decals

1	8600-15	Caution, Tilt-Up Deck Lock	Carrier Frame	2
2	6875	PTO Alignment Arrow	Universal Joint Tube Assembly	1
3	8600-28	Danger, Rotating Blades	Deck Housing (one on each end)	2
4	8653-1	Transport Warning	Spindle Cover	1
5	8600-14	Danger, Tilt-Up	Carrier Frame	1
7	2749-8	Decal, Drive Belt Routing	Deck Housing	1
8	8746-2	Universal Joint Lube	PTO Guard Cover	1
9	5800-8	Decal, Walker 16"	Belt Cover	1
11	2748-2	Cutting Height Adjustment	Carrier Frame	1
12	2732-3	Decal (61")	Deck Housing, Front	1
13	5848-3	Danger, Side Discharge Shield	Side Discharge Shield	1

NOTE: All parts requiring decals are shipped with decals applied.

DR52, DS61 & DR64 DECK DECALS



DS62 & DS74 DECK DECALS / TOUCH-UP PAINT

ITEM NO.	PART NO.	DESCRIPTION	LOCATION	NO. REQ'D
DS62 Deck Decals				
1	8600-15	Caution, Tilt-Up Deck Lock	Carrier Frame	2
2	8746-2	Universal Joint Lube	PTO Cover Plate	1
3	8653-1	Transport Warning	Deck Housing	1
4	8600-28	Danger, Rotating Blades	Cover Plate (one on each end)	2
5	8600-14	Danger, Tilt-Up	Carrier Frame, Front	1
6	5848-3	Danger, Side Discharge Shield	Side Discharge Shield	1
7	8748	Cutting Height Adjustment	Footrest Pulley Guard	1
8	8746-1	Decal, Tele PTO Shaft	Universal Joint Shaft Assembly	1
9	5809-2	Decal, Walker	Carrier Frame, Front	1
10	8749	Drive Belt Routing	Underneath Deck Cover Plate	1
11	8750	Decal (62")	Deck Housing	1

DS74 Deck Decals

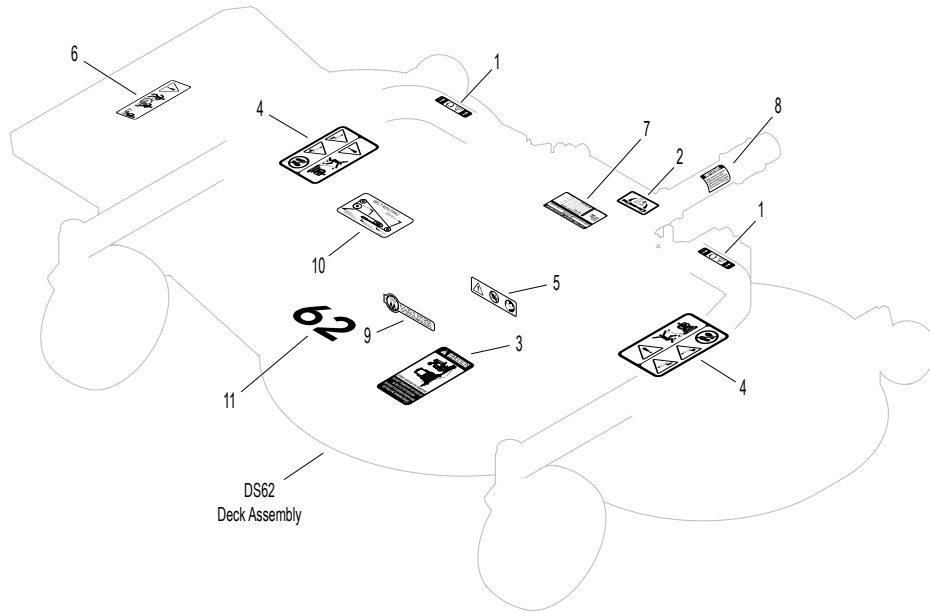
1	8600-15	Caution, Tilt-Up Deck Lock	Carrier Frame	2
3	8653-1	Transport Warning	Deck Housing	1
4	8600-28	Danger, Rotating Blades	Deck Housing (one on each end)	2
5	8600-14	Danger, Tilt-Up	Carrier Frame, Front	1
6	5848-3	Danger, Side Discharge Shield	Side Discharge Shield	1
9	5809-2	Decal, Walker	Carrier Frame	1
12	6875	PTO Alignment Arrow	Universal Joint Shaft Assembly	1
13	5846-1	Grease Fitting	PTO Shaft Guard	1
14	8600-7	Cutting Height Adjustment	Gearbox Cover, RH	1
15	7689	Decal (74")	Deck Housing, Front	1
16	8600-9	Blade Mounting Torque	Gearbox Cover, RH	1

Touch-Up Paint

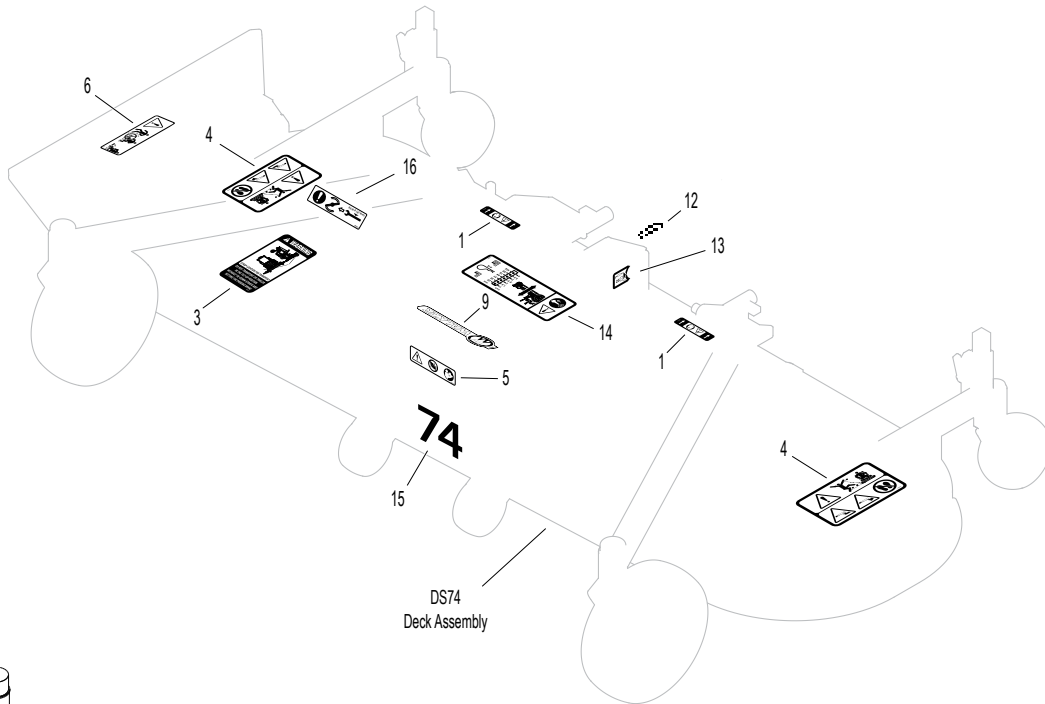
17	5866	Touch-Up Paint, Yellow (12 oz. Aerosol)		
----	------	---	--	--

NOTE: All parts requiring decals are shipped with decals applied.

DS62 & DS74 DECK DECALS / TOUCH-UP PAINT



DS62
Deck Assembly



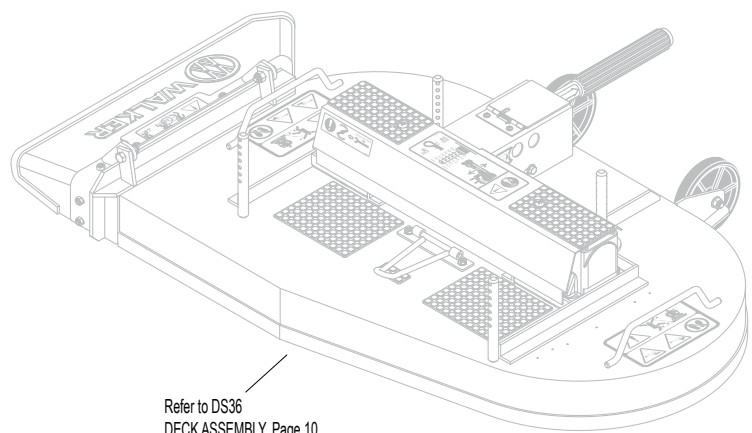
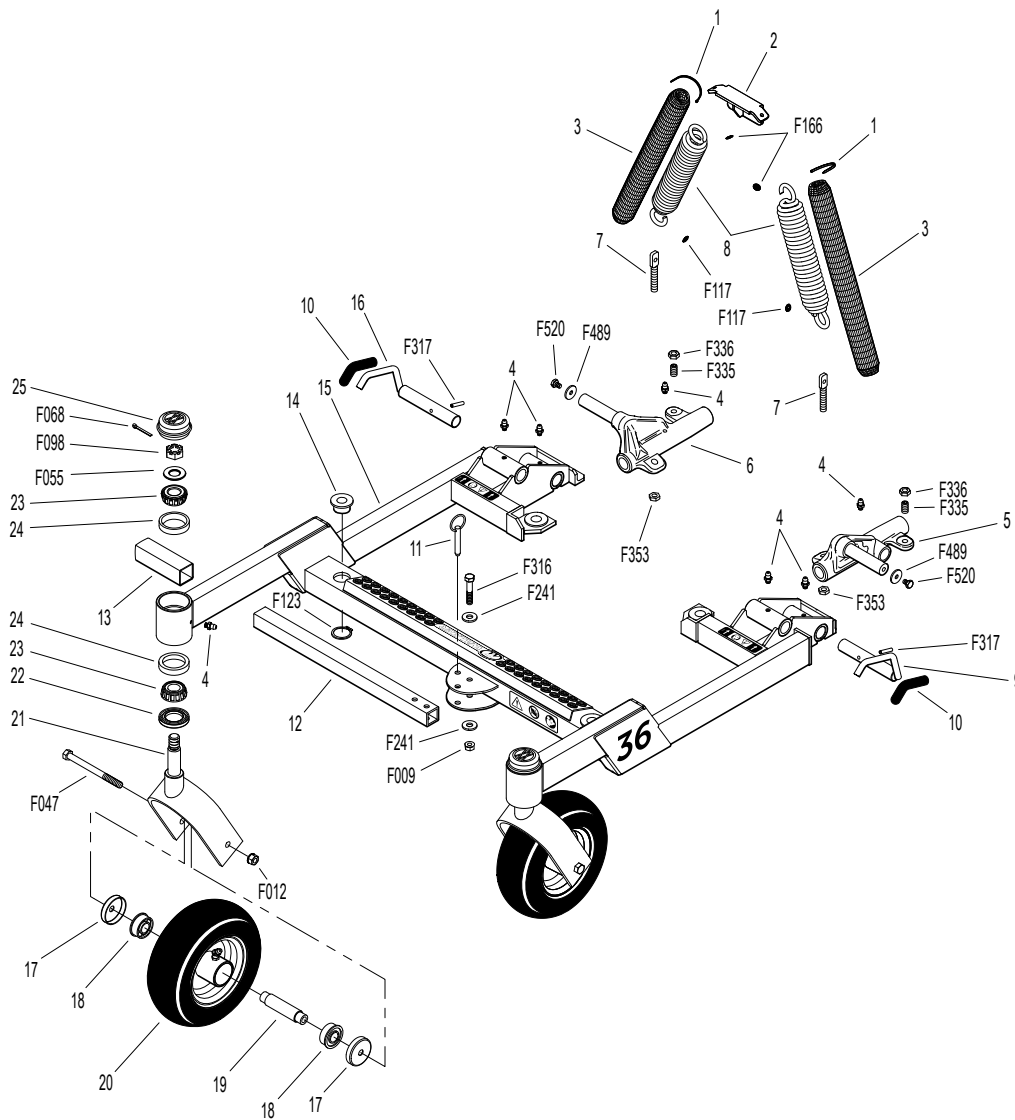
DS74
Deck Assembly



DS36 COMPLETE CARRIER FRAME ASSEMBLY

ITEM NO.	PART NO.	DESCRIPTION	NO. REQ'D	ITEM NO.	PART NO.	DESCRIPTION	NO. REQ'D
Spring and Pivot Mount Components				Fasteners			
1	5975-3	Cable Tie (50# x 7")	4	F009		5/16-18 Whiz Locknut	1
2	5744-1	Spring Clip Bracket	1	F012		3/8-16 Keps Nut	2
3	5743-1	Spring Cover	2	F047		3/8-16 x 4-1/2 Hex Bolt	2
4	5830	Grease Fitting	8	F055		5/8 SAE Washer	2
5	8667-3	Pivot Mount Assembly, LH/Adj. (Includes Items # 4, F353, F489 & F520)	*	F068		1/8 x 1 Cotter Pin	2
6	8667-4	Pivot Mount Assembly, RH/Adj. (Includes Items # 4, F353, F489 & F520)	*	F098		5/8-18 Slotted Hex Nut	2
7	5743-4	Eyebolt (3/8-16 x 2-3/4)	2	F117		Retainer Ring	2
8	5743-8	Extension Spring, Red (1-1/2 x 7-3/4) (Includes Items # 1, F117 & F166)	2	F123		1" External Snap Ring	4
Carrier Frame Components				F166		Retainer Ring	2
				F241		.375 x .875 x .10 Washer	2
				F316		5/16-18 x 1-3/4 Hex Bolt	1
				F317		3/16 x 1 Split Spring Pin	2
				F335		3/8-16 x 7/8 Set Screw, SS	2
				F336		3/8-16 Jam Nut	2
9	8674-11	Lever, Deck Lock, LH	1	F353		3/8-16 ESNA LP Nut	2
10	7406-1	Handle Grip (Red)	2	F489		Washer 1/4 x 7/8 x .090	2
11	7775-4	Detent Pin (5/16 x 1-1/2)	1	F520		1/4-28 x 3/8 Hex Bolt	2
12	6811-2	Tilt Bar With Grip (14-1/2") (Includes Item # 13)	1	* Service Part Only			
13	5850-5	Handle Grip (1 x 1 x 3-3/4")	1				
14	5740-2	Deck Pin Bushing (5/8)	4				
15	5708-6	36" Carrier Frame (Includes Item # 24)	1				
	5708-1	36" Carrier Frame W/Forks (Includes Items # 21-25, F055, F068 & F098)	*				
16	8674-10	Lever, Deck Lock, RH	1				
Caster Wheel Components							
17	8769-11	Bearing Cup (3/8 ID)	4				
18	5714-11	Bearing	4				
19	5714-10	Axle Tube (3.417)	2				
20	5715-23	Caster Wheel & Tire/No-Flat (8 x 3.00-4) W/Cups (Includes Items # 17-19)	2				
21	5770-1	Caster Wheel Fork	2				
22	8768-1	Seal (1-3/4 x 1-1/8)	2				
23	8037	Bearing Cone (3/4 ID)	4				
24	8769-1	Bearing Cup (1-3/4 x 1-7/16)	4				
25	8769-10	Dust Cap, Deck Caster	2				

DS36 COMPLETE CARRIER FRAME ASSEMBLY



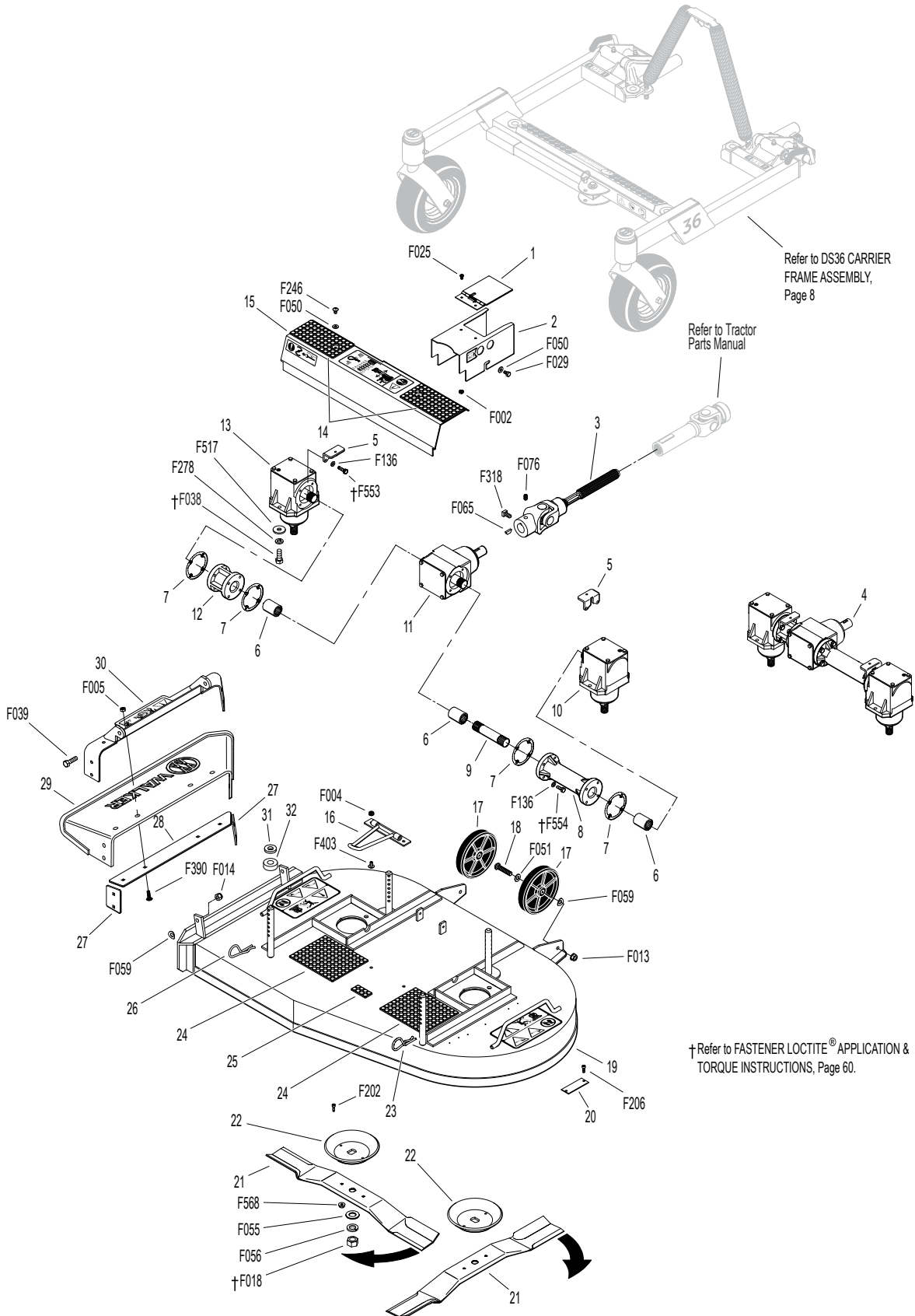
Refer to DS36
DECK ASSEMBLY, Page 10

Refer to LUBRICATION POINTS, Page 56.

DS36 DECK ASSEMBLY

ITEM NO.	PART NO.	DESCRIPTION	NO. REQ'D	ITEM NO.	PART NO.	DESCRIPTION	NO. REQ'D
Gearbox and Drive Components				28	5709-16	Center Backup Plate	1
1	8618-1	Cover, PTO Shaft Guard	1	29	5709-15	DS42 Discharge Shield, Rubber	1
2	8619-2	PTO Shaft Guard	1	30	5709-1	DS42 Rubber Shield Frame	1
	8618-3	PTO Shaft Guard Assembly (Includes Items # 1, 2, F002 & F025)	*	31	5727-1	Washer Shim (5/8 ID)	4
3	5285-5	U-Joint Shaft Assembly (90 Degree) Spline, Keyed (Includes Items # F065, F076 & F318)	1	32	7434-1	Washer 1-3/8 x 5/8-1/2 Thick	4
4	6711-3	HD Gearbox and Tube Assembly (Includes Items # 5-13, F136, F553 & F554)	1	Fasteners			
5	5704-1	Gearbox Cover Support	2	F002	10-24 Keps Nut		2
6	6054	Spline Coupling	3	F004	1/4-20 Keps Nut		2
7	P007	Gasket, Cap (Peerless #788030)	4	F005	1/4-20 ESNA Nut		8
8	5065	Gearbox Connector Tube (7-11/16)	1	F013	3/8-16 Whiz Locknut		2
9	6733-4	Connecting Shaft (5-5/16)	1	F014	3/8-16 ESNA Nut		2
10	5052-9	HD Gearbox (1:1.2) CCW-CCW	1	F018	5/8-18 Hex Nut		2
11	5051-5	HD Tee Gearbox (1:1) CW-CW & CCW	1	F025	10-24 x 3/8 PPHMS		2
12	5060	Gearbox Connector Tube (2-5/16)	1	F029	1/4-20 x 1/2 Hex Bolt		2
13	5053-7	HD Gearbox (1:1.2) CW-CCW	1	F038	3/8-16 x 1 Hex Bolt		4
14	5747-11	Rubber Mat (3 x 6)	2	F039	3/8-16 x 1-1/4 Hex Bolt		2
15	5746-6	36" Gearbox Cover (Includes Item # 14)	1	F050	1/4 SAE Washer		4
Deck Housing Components				F051	3/8 SAE Washer		2
16	8670	Tilt-Up Hook	1	F055	5/8 SAE Washer		2
17	5162-12	Roller Wheel (5" Poly) (Includes Items # 18, F013 & F059)	2	F056	5/8 Split Lock Washer		2
18	8490	Roller Wheel Axle Bolt	2	F059	3/8 Wave Spring Washer		4
19	5710-17	36 SD Deck Assembly (Includes Items # 17, 18, 24 & 25)	1	F065	3/16 x 3/4 Woodruff Key (#606)		1
20	NS	Deck Serial Number Plate	1	F076	3/8-16 x 5/8 SQH Set Screw		1
21	5705-36	Blade, 19" (RH Rotation)	2	F136	AN960C416L Washer		16
22	5706	Blade Hub & Trash Guard	2	F202	10-24 x 5/8 SHC Screw, GR5 SS		4
23	7775-1	Hitch Pin, LH (Silver) #6	2	F206	#2 x 3/16 Drive Pin		2
24	8735-10	Rubber Mat (5 x 6)	2	F246	1/4-20 x 1/2 PTHMS		2
25	8788-1	Rubber Mat (1 x 2)	1	F278	3/8 Split Lock Washer		4
26	7775-2	Hitch Pin, RH (Gold) #6	2	F318	3/8-16 x 3/4 SQH Set Screw		1
27	5709-17	End Backup Plate	2	F390	1/4-20 x 7/8 Carriage Bolt		8
				F403	1/4-20 x 1/2 PTHMS, SS		2
				F517	Washer 3/8 x 1-1/8 x 1/8		4
				F553	1/4-20 x 1 Hex Bolt W/Loctite		4
				F554	1/4-20 x 7/8 Hex Bolt W/Loctite		12
				F568	10-24 Flange Top Lock Nut		4
				* Service Part Only			

DS36 DECK ASSEMBLY



Refer to LUBRICATION POINTS, Page 56.

DS42 COMPLETE CARRIER FRAME ASSEMBLY

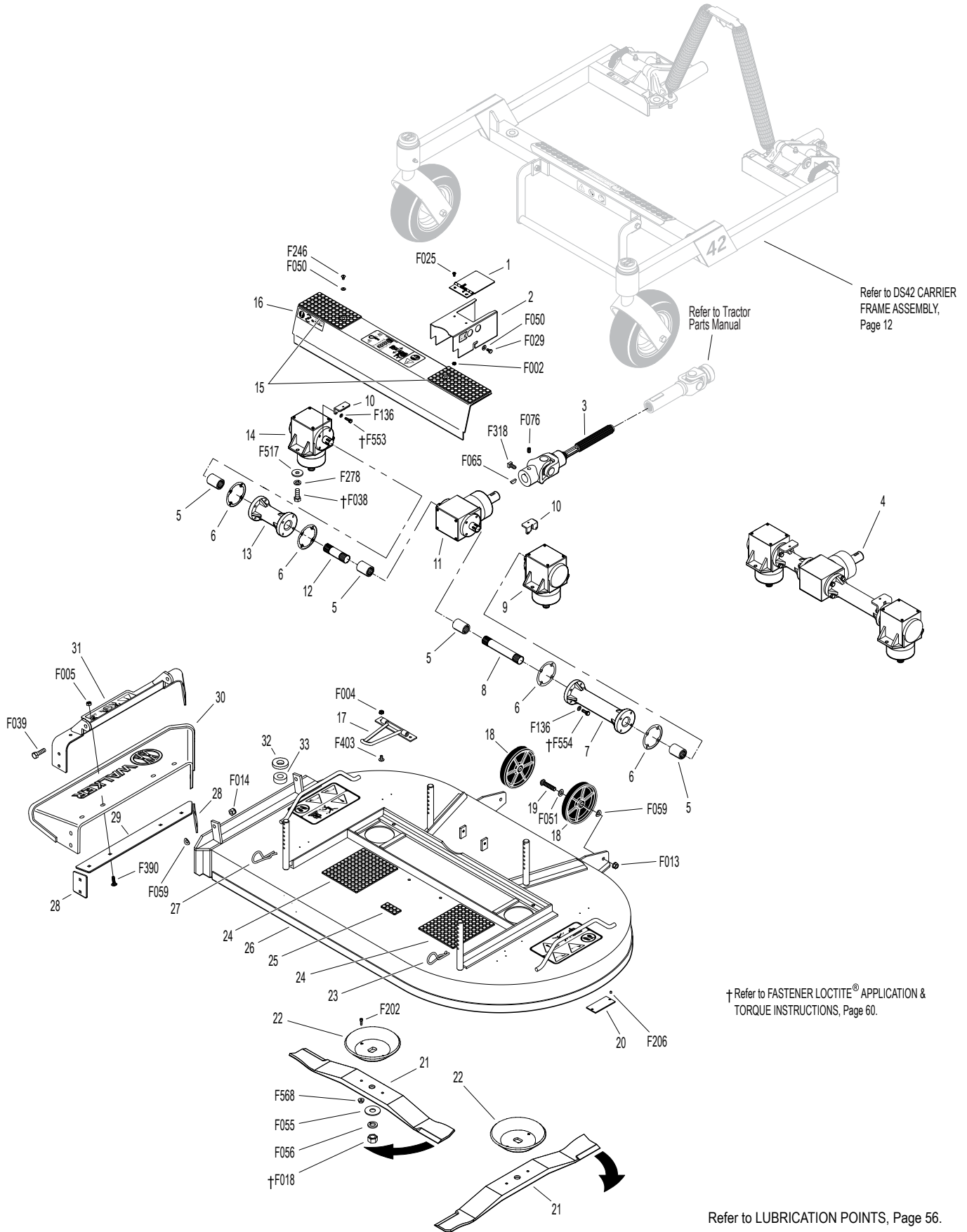
ITEM NO.	PART NO.	DESCRIPTION	NO. REQ'D	ITEM NO.	PART NO.	DESCRIPTION	NO. REQ'D
Spring and Pivot Mount Components				Fasteners			
1	5975-3	Cable Tie (50# x 7")	4	F012		3/8-16 Keps Nut	2
2	5744-1	Spring Clip Bracket	1	F020		5/16-18 ESNA Nut	2
3	5743-1	Spring Cover	2	F047		3/8-16 x 4-1/2 Hex Bolt	2
4	5743-4	Eyebolt (3/8-16 x 2-3/4)	2	F055		5/8 SAE Washer	2
5	5830	Grease Fitting	8	F068		1/8 x 1 Cotter Pin	2
6	8667-3	Pivot Mount Assembly, LH/Adj. (Includes Items # 5, F353, F489 & F520)	*	F084		5/16 Wave Spring Washer	2
7	8667-4	Pivot Mount Assembly, RH/Adj. (Includes Items # 5, F353, F489 & F520)	*	F098		5/8-18 Slotted Hex Nut	2
8	5743-8	Extension Spring, Red (1-1/2 x 7-3/4) (Includes Items # 1, F117 & F166)	2	F117		Retainer Ring	2
				F123		1" External Snap Ring	4
				F166		Retainer Ring	2
				F226		5/16-18 x 7/8 Hex Bolt	2
				F317		3/16 x 1 Split Spring Pin	2
				F335		3/8-16 x 7/8 Set Screw, SS	2
				F336		3/8-16 Jam Nut	2
				F353		3/8-16 ESNA LP Nut	2
				F489		Washer 1/4 x 7/8 x .090	2
				F520		1/4-28 x 3/8 Hex Bolt	2
				*		Service Part Only	
Carrier Frame Components							
9	8674-11	Lever, Deck Lock, LH	1				
10	7406-1	Handle Grip (Red)	2				
11	8669-3	Lift Handle	1				
12	5740-2	Deck Pin Bushing (5/8)	4				
13	8660-16	42" Carrier Frame W/Forks (Includes Items # 19-23, F055, F068 & F098)	1				
	8660-15	42" Carrier Frame (Includes Item # 22)	*				
14	8674-10	Lever, Deck Lock, RH	1				
Caster Wheel Components							
15	8769-11	Bearing Cup (3/8 ID)	4				
16	5714-11	Bearing	4				
17	5714-10	Axle Tube (3.417)	2				
18	5715-23	Caster Wheel & Tire/No-Flat (8 x 3.00-4) W/Cups (Includes Items # 15-17)	2				
19	5770-1	Caster Wheel Fork	2				
20	8768-1	Seal (1-3/4 x 1-1/8)	2				
21	8037	Bearing Cone (3/4 ID)	4				
22	8769-1	Bearing Cup (1-3/4 x 1-7/16)	4				
23	8769-10	Dust Cap, Deck Caster	2				

DS42 DECK ASSEMBLY

ITEM NO.	PART NO.	DESCRIPTION	NO. REQ'D	ITEM NO.	PART NO.	DESCRIPTION	NO. REQ'D
Gearbox and Drive Components				27	7775-2	Hitch Pin, RH (Gold) #6	2
1	8618-1	Cover, PTO Shaft Guard	1	28	5709-17	End Backup Plate	2
2	8619	PTO Shaft Guard	1	29	5709-16	Center Backup Plate	1
	8618	PTO Shaft Guard Assembly (Includes Items # 1, 2, F002 & F025)	*	30	5709-15	DS42 Discharge Shield, Rubber	1
3	5285-5	U-Joint Shaft Assembly (90 Degree) Spline, Keyed (Includes Items # F065, F076 & F318)	1	31	5709-1	DS42 Rubber Shield Frame	1
4	6711-7	HD Gearbox and Tube Assembly (Includes Items # 5-14, F136, F553 & F554)	1	32	5727-1	Washer Shim (5/8 ID)	4
5	6054	Spline Coupling	4	33	7434-1	Washer 1-3/8 x 5/8-1/2 Thick	4
6	P007	Gasket, Cap (Peerless #788030)	4	Fasteners			
7	5063	Gearbox Connector Tube (8-5/8)	1	F002	10-24 Keps Nut		2
8	6733-3	Connecting Shaft (6-1/4)	1	F004	1/4-20 Keps Nut		2
9	5052-13	HD Gearbox (1:1) CCW/CCW	1	F005	1/4-20 ESNA Nut		8
10	5704-1	Gearbox Cover Support	2	F013	3/8-16 Whiz Locknut		2
11	5051-5	HD Tee Gearbox (1:1) CW-CW & CCW	1	F014	3/8-16 ESNA Nut		2
12	6733-1	Connecting Shaft (2")	1	F018	5/8-18 Hex Nut		2
13	5062	Gearbox Connector Tube (4-3/8)	1	F025	10-24 x 3/8 PPHMS		2
14	5053-3	HD Gearbox (1:1) CW-CCW	1	F029	1/4-20 x 1/2 Hex Bolt		2
15	5747-11	Rubber Mat (3 x 6)	2	F038	3/8-16 x 1 Hex Bolt		4
16	5785-5	42" Gearbox Cover (Includes Item # 15)	1	F039	3/8-16 x 1-1/4 Hex Bolt		2
Deck Housing Components				F050	1/4 SAE Washer		4
17	8670	Tilt-Up Hook	1	F051	3/8 SAE Washer		2
18	5162-12	Roller Wheel (5" Poly) (Includes Items # 19, F013 & F059)	2	F055	5/8 SAE Washer		2
19	8490	Roller Wheel Axle Bolt	2	F056	5/8 Split Lock Washer		2
20	NS	Deck Serial Number Plate	1	F059	3/8 Wave Spring Washer		4
21	5705-3	Blade, 22" (RH Rotation)	2	F065	3/16 x 3/4 Woodruff Key (#606)		1
	5705-7	42 SD Blade Set With Hubs (Includes Items # 21, 22, F202 & F568)	*	F076	3/8-16 x 5/8 SQH Set Screw		1
22	5706	Blade Hub & Trash Guard	2	F136	AN960C416L Washer		16
23	7775-1	Hitch Pin, LH (Silver) #6	2	F202	10-24 x 5/8 SHC Screw, GR5 SS		4
24	8735-10	Rubber Mat (5 x 6)	2	F206	#2 x 3/16 Drive Pin		2
25	8788-1	Rubber Mat (1 x 2)	1	F246	1/4-20 x 1/2 PTHMS		2
26	5703-15	42 SD Deck Housing (Includes Items # 24 & 25)	1	F278	3/8 Split Lock Washer		4
				F318	3/8-16 x 3/4 SQH Set Screw		1
				F390	1/4-20 x 7/8 Carriage Bolt		8
				F403	1/4-20 x 1/2 PTHMS, SS		2
				F517	Washer 3/8 x 1-1/8 x 1/8		4
				F553	1/4-20 x 1 Hex Bolt W/Loctite		4
				F554	1/4-20 x 7/8 Hex Bolt W/Loctite		12
				F568	10-24 Flange Top Lock Nut		4

* Service Part Only

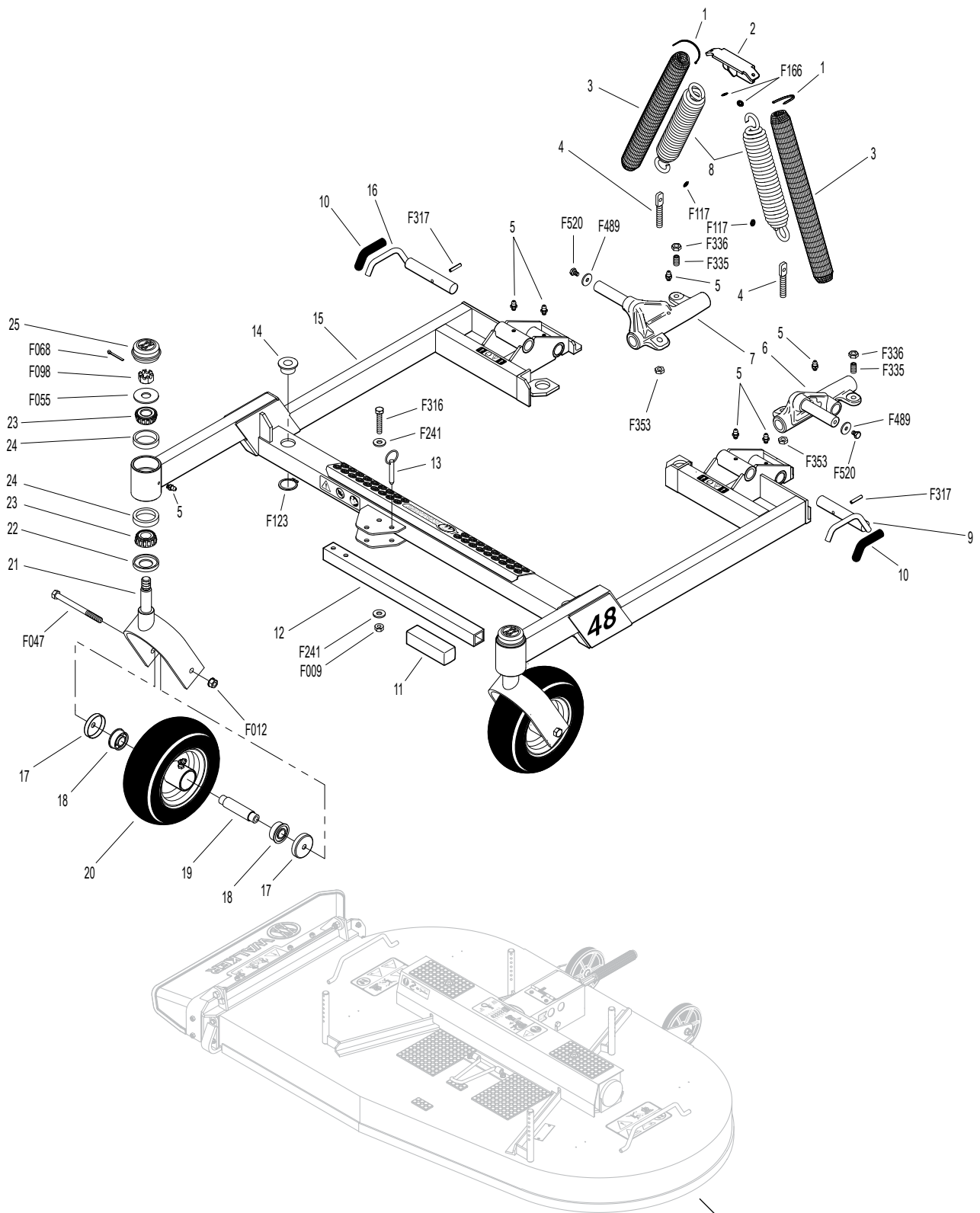
DS42 DECK ASSEMBLY



DS48 COMPLETE CARRIER FRAME ASSEMBLY

ITEM NO.	PART NO.	DESCRIPTION	NO. REQ'D	ITEM NO.	PART NO.	DESCRIPTION	NO. REQ'D
Spring and Pivot Mount Components				Fasteners			
1	5975-3	Cable Tie (50# x 7")	4	F009		5/16-18 Whiz Locknut	1
2	5744-1	Spring Clip Bracket	1	F012		3/8-16 Keps Nut	2
3	5743-1	Spring Cover	2	F047		3/8-16 x 4-1/2 Hex Bolt	2
4	5743-4	Eyebolt (3/8-16 x 2-3/4)	2	F055		5/8 SAE Washer	2
5	5830	Grease Fitting	8	F068		1/8 x 1 Cotter Pin	2
6	8667-3	Pivot Mount Assembly, LH/Adj. (Includes Items # 5, F353, F489 & F520)	*	F098		5/8-18 Slotted Hex Nut	2
7	8667-4	Pivot Mount Assembly, RH/Adj. (Includes Items # 5, F353, F489 & F520)	*	F117		Retainer Ring	2
8	5743-6	Extension Spring, Green (1-1/2 x 7-3/4) (Includes Items # 1, F117 & F166)	2	F123		1" External Snap Ring	4
Carrier Frame Components				F166		Retainer Ring	2
9	8674-11	Lever, Deck Lock, LH	1	F241		.375 x .875 x .10 Washer	2
10	7406-1	Handle Grip (Red)	2	F316		5/16-18 x 1-3/4 Hex Bolt	1
11	5850-5	Handle Grip (1 x 1 x 3-3/4)	1	F317		3/16 x 1 Split Spring Pin	2
12	6811-2	Tilt-Bar With Grip (14-1/2") (Includes Item # 11)	1	F335		3/8-16 x 7/8 Set Screw, SS	2
13	7775-4	Detent Pin (5/16 x 1-1/2)	1	F336		3/8-16 Jam Nut	2
14	5740-2	Deck Pin Bushing (5/8)	4	F353		3/8-16 ESNA LP Nut	2
15	8661-12	48" Carrier Frame (Includes Item # 24)	1	F489		Washer 1/4 x 7/8 x .090	2
	8661-11	48" Carrier Frame W/Forks (Includes Items # 17, 21-25, F055, F068 & F098)	*	F520		1/4-28 x 3/8 Hex Bolt	2
16	8674-10	Lever, Deck Lock, RH	1	* Service Part Only			
Caster Wheel Components							
17	8769-11	Bearing Cup (3/8 ID)	4				
18	5714-11	Bearing	4				
19	5714-10	Axle Tube (3.417)	2				
20	5715-23	Caster Wheel & Tire/No-Flat (8 x 3.00-4) W/Cups (Includes Items # 17-19)	2				
21	5770-1	Caster Wheel Fork	2				
22	8768-1	Seal (1-3/4 x 1-1/8)	2				
23	8037	Bearing Cone (3/4 ID)	4				
24	8769-1	Bearing Cup (1-3/4 x 1-7/16)	4				
25	8769-10	Dust Cap, Deck Caster	2				

DS48 COMPLETE CARRIER FRAME ASSEMBLY



Refer to DS48
DECK ASSEMBLY, Page 18

Refer to LUBRICATION POINTS, Page 56.

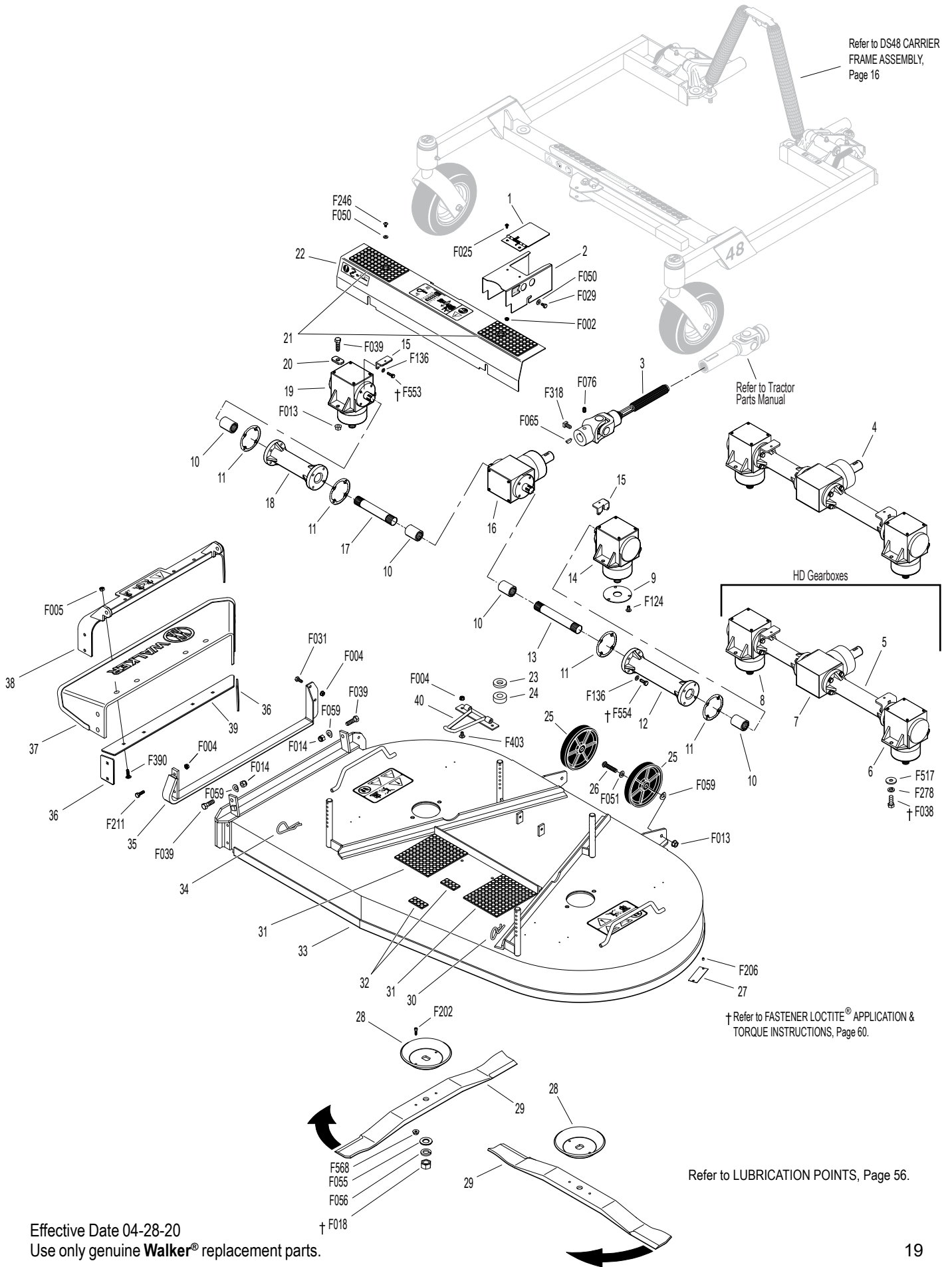
DS48 DECK ASSEMBLY

INCL. OPTIONAL HD GEARBOXES

ITEM NO.	PART NO.	DESCRIPTION	NO. REQ'D	ITEM NO.	PART NO.	DESCRIPTION	NO. REQ'D
Gearbox and Drive Components				35	7707-10	48 SD Skid Bar	1
1	8618-1	Cover, PTO Shaft Guard	1	36	6709-7	End Backup Plate (48")	2
2	8619	PTO Shaft Guard	1	37	6709-9	DS48 Discharge Shield, Rubber	1
	8618	PTO Shaft Guard Assembly (Includes Items # 1, 2, F002 & F025)	*	38	6709-4	DS48 Rubber Shield Frame	1
3	7285-5	U-Joint Shaft Assembly, Spline (Keyed) (Includes Items # F065, F076 & F318)	1	39	6709-6	Center Backup Plate (48")	1
4	6704-9	Gearbox and Tube Assembly (Includes Items # 9-19, F124, F136, F553 & F554)	1	40	8670	Tilt-Up Hook	1
5	6711-12	HD Gearbox and Tube Assembly (Includes Items # 6-8, 10-13, 15, 17, 18, F136, F553 & F554)	**	Fasteners			
6	5052-13	HD Gearbox (1:1) CCW-CCW	**	F002	10-24 Keps Nut		2
7	5051-5	HD Tee Gearbox (1:1) CW-CW & CCW	**	F004	1/4-20 Keps Nut		6
8	5053-3	HD Gearbox (1:1) CW-CCW	**	F005	1/4-20 ESNA Nut		8
9	5706-4	Seal Protector Plate	2 ^Δ	F013	3/8-16 Whiz Locknut		6
10	6054	Spline Coupling	4	F014	3/8-16 ESNA Nut		2
11	P007	Gasket, Cap (Peerless #788030)	4	F018	5/8-18 Hex Nut		2
12	5066	Gearbox Connector Tube (9-5/16)	1	F025	10-24 x 3/8 PPHMS		2
13	6733-6	Connecting Shaft (7")	1	F029	1/4-20 x 1/2 Hex Bolt		2
14	5052-1	Gearbox (LH Rotation)	1	F031	1/4-20 x 5/8 Hex Bolt		2
15	5704-1	Gearbox Cover Support	2	F038	3/8-16 x 1 Hex Bolt		4***
16	5051-2	Tee Gearbox, Keyed (7/8" Dia. Shaft)	1	F039	3/8-16 x 1-1/4 Hex Bolt		6
17	6733-2	Connecting Shaft (4-1/8)	1	F050	1/4 SAE Washer		4
18	5061	Gearbox Connector Tube (6-11/16)	1	F051	3/8 SAE Washer		2
19	5053-1	Gearbox (RH Rotation)	1	F055	5/8 SAE Washer		2
20	5052-3	1.375 x .750 x .187 Washer	4 ^Δ	F056	5/8 Split Lock Washer		2
21	5747-12	Rubber Mat (3 x 6)	2	F059	3/8 Wave Spring Washer		4
22	7785-3	48" Gearbox Cover (Includes Item # 21)	1	F065	3/16 x 3/4 Woodruff Key (#606)		1
Deck Housing Components				F076	3/8-16 x 5/8 SQH Set Screw		1
23	5727-1	Washer Shim (5/8 ID)	4	F124	10-32 x 3/8 Tapitite Machine Screw		6
24	7434-1	Washer 1-3/8 x 5/8-1/2 Thick	4	F136	AN960C416L Washer		16
25	5162-12	Roller Wheel (5" Poly) (Includes Items # 26, F013 & F059)	2	F202	10-24 x 5/8 SHC Screw, GR5 SS		4
26	8490	Roller Wheel Axle Bolt	2	F206	#2 x 3/16 Drive Pin		2
27	NS	Deck Serial Number Plate	1	F211	1/4-20 x 7/8 Hex Bolt		2
28	5706	Blade Hub & Trash Guard	2	F246	1/4-20 x 1/2 PTHMS		2
29	7705-1	Blade, 25" (RH Rotation)	2	F278	3/8 Split Lock Washer		4***
	7705-5	48 SD Blade Set With Hubs (Includes Items # 28, 29, F202 & F568)	*	F318	3/8-16 x 3/4 SQH Set Screw		1
30	7775-1	Hitch Pin, LH (Silver) #6	2	F390	1/4-20 x 7/8 Carriage Bolt		8
31	8735-10	Rubber Mat (5 x 6)	2	F403	1/4-20 x 1/2 PTHMS, SS		2
32	8788-1	Rubber Mat (1 x 2)	2	F517	Washer 3/8 x 1-1/8 x 1/8		4***
33	7702-16	48 SD Deck Housing (Includes Items # 31 & 32)	1	F553	1/4-20 x 1 Hex Bolt W/Loctite		4
34	7775-2	Hitch Pin, RH (Gold) #6	2	F554	1/4-20 x 7/8 Hex Bolt W/Loctite		12
				F568	10-24 Flange Top Lock Nut		4
				* Service Part Only			
				** Item(s) used on the HD version of standard gearboxes. The HD cast iron gearboxes are interchangeable with Standard aluminum gearboxes.			
				*** Used on HD gearbox configuration.			
				Δ Used on standard aluminum gearbox configuration.			

DS48 DECK ASSEMBLY

INCL. OPTIONAL HD GEARBOXES



Refer to DS48 CARRIER
FRAME ASSEMBLY,
Page 16

Refer to Tractor
Parts Manual

HD Gearboxes

† Refer to FASTENER LOCTITE® APPLICATION &
TORQUE INSTRUCTIONS, Page 60.

Refer to LUBRICATION POINTS, Page 56.

Effective Date 04-28-20
Use only genuine Walker® replacement parts.

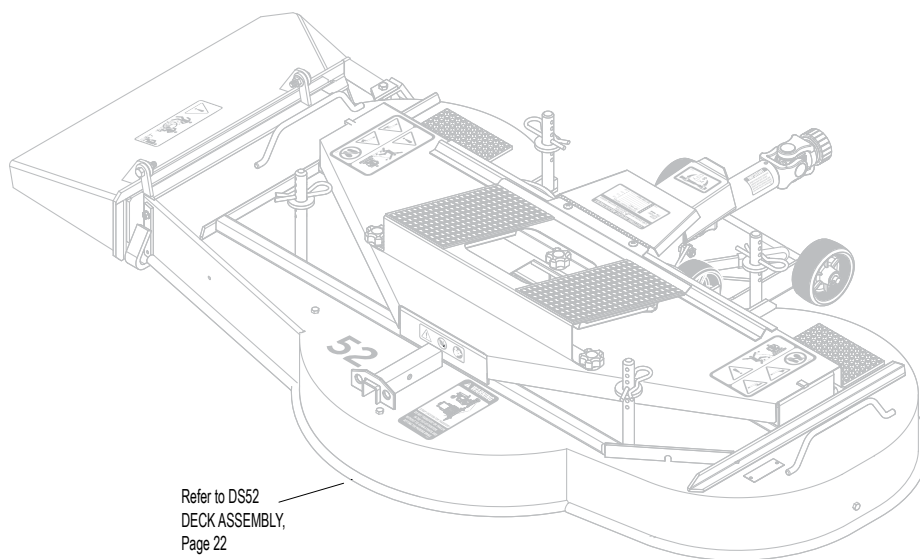
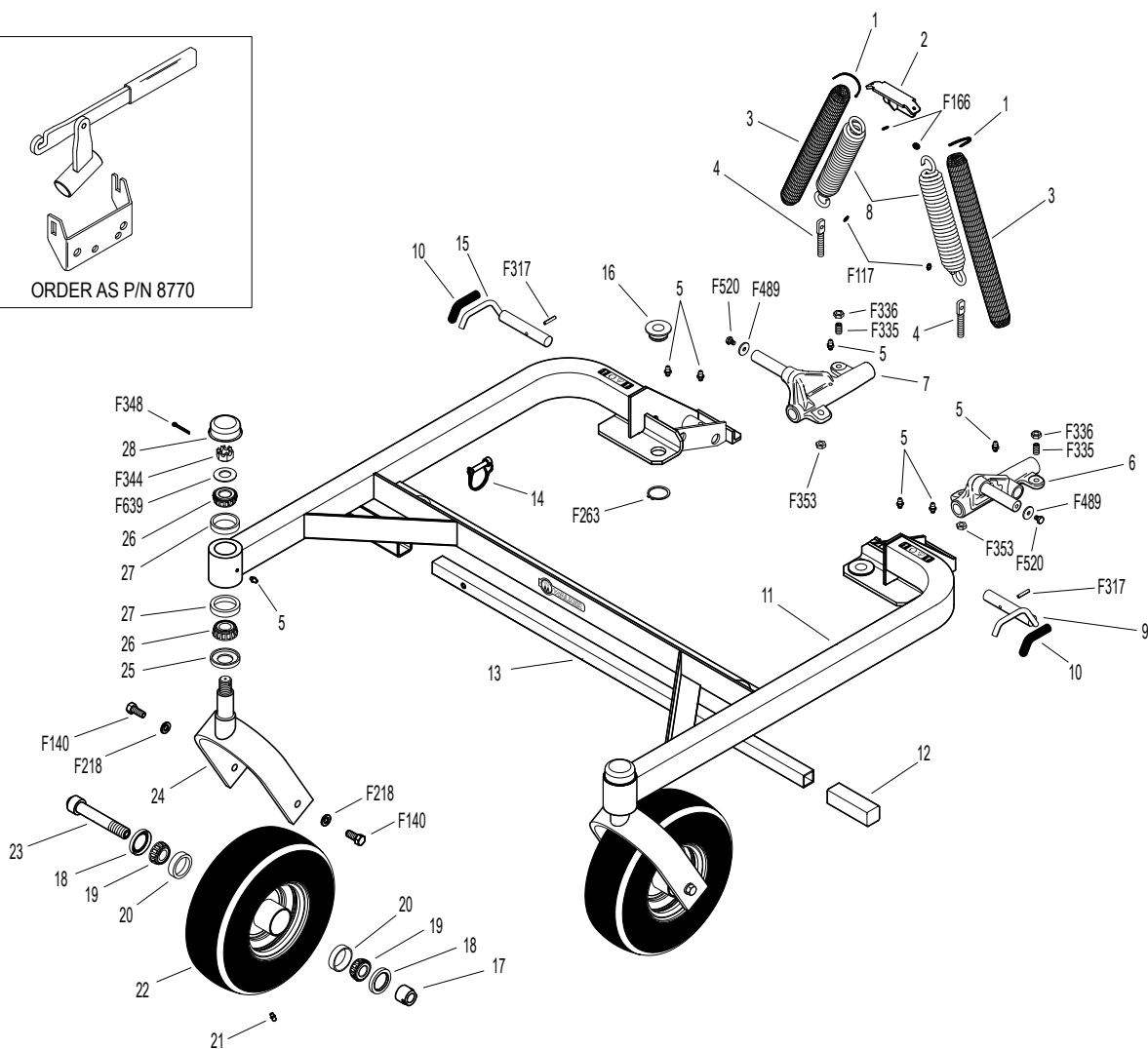
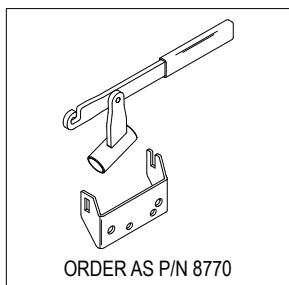
DS52 COMPLETE CARRIER FRAME ASSEMBLY

ITEM NO.	PART NO.	DESCRIPTION	NO. REQ'D	ITEM NO.	PART NO.	DESCRIPTION	NO. REQ'D
Spring and Pivot Mount Components				Caster Wheel Components			
1	5975-3	Cable Tie (50# x 7")	4	17	8766	Axle Nut (3/4-16)	2
2	5744-1	Spring Clip Bracket	1	18	8768-2	Seal, Reverse Lip	4
3	5743-1	Spring Cover	2	19	8037	Bearing Cone (3/4 ID)	4
4	5743-4	Eyebolt (3/8-16 x 2-3/4)	2	20	8037-2	Bearing Race	4
5	5830	Grease Fitting	8	21	5830-3	Grease Fitting (45 Degree)	2
6	8667-3	Pivot Mount Assembly, LH/Adj. (Includes Items # 5, F353, F489 & F520)	*	22	8768-7	Caster Wheel, Pneumatic (11 x 4.00-5) (Includes Items # 20 & 21)	2
7	8667-4	Pivot Mount Assembly, RH/Adj. (Includes Items # 5, F353, F489 & F520)	*		8768-3	Tire, Pneumatic (11 x 4.00-5)	*
8	5743-6	Extension Spring, Green (1-1/2 x 7-3/4) (Includes Items # 1, F117 & F166)	2		8768-5	Caster Wheel (5 x 3)	*
Carrier Frame Components				23	8767	Axle, Caster Wheel (5-1/8)	2
9	8674-11	Lever, Deck Lock, LH	1	24	8765-11	Caster Wheel Fork	2
10	7406-1	Handle Grip (Red)	2	25	8769-7	Seal	2
11	8811-12	52 SD Carrier Frame (Includes Item # 27)	1	26	8769-6	Bearing Cone (1" ID)	4
	8811-10	52 SD Carrier Frame, With Pivots (Includes Items # 9, 10, 15, 27, F317, F335 & F336)	*	27	8769-5	Bearing Cup (2 x 1-5/8)	4
12	5850-5	Handle Grip (1 x 1 x 3-3/4)	1	28	8769-8	Dust Cap, Deck Caster	2
13	8811-25	Tilt Bar, With Grip (35") (Includes Item # 12)	1	Fasteners			
14	7775-5	Lock Pin (5/16 x 1-5/8)	1		F117	Retainer Ring	2
15	8674-10	Lever, Deck Lock, RH	1		F140	7/16-14 x 1 Hex Bolt	4
16	8740	Deck Pin Bushing (3/4 ID)	4		F166	Retainer Ring	2
					F218	7/16 Split Lock Washer	4
					F263	1-1/4 External Snap Ring	4
					F317	3/16 x 1 Split Spring Pin	2
					F335	3/8-16 x 7/8 Set Screw, SS	2
					F336	3/8-16 Jam Nut	2
					F344	3/4-16 Slotted Hex Nut	2
					F348	1/8 x 1-1/2 Cotter Pin	2
					F353	3/8-16 ESNA LP Nut	2
					F489	Washer 1/4 x 7/8 x .090	2
					F520	1/4-28 x 3/8 Hex Bolt	2
					F639	Belleville Washer (1.5 x .755 x .072)	2

* Service Part Only

NOTE: The E-Z Pin Puller P/N 8770 can be ordered to assist removing and installing height adjustment hitch pins on larger decks. This item stows on tractor when not in use.

DS52 COMPLETE CARRIER FRAME ASSEMBLY



Refer to DS52
DECK ASSEMBLY,
Page 22

Refer to LUBRICATION POINTS, Page 56.

DS52 DECK ASSEMBLY

ITEM NO.	PART NO.	DESCRIPTION	NO. REQ'D	ITEM NO.	PART NO.	DESCRIPTION	NO. REQ'D	
Blade Drive Components				41	NS	Deck Serial Number Plate	1	
1	8789-5	Pulley Guard	1	42	8810-10	52 SD Deck Housing (Includes Items # 39 & 40)	1	
2	8786-15	Footrest Assembly (Includes Item # 18)	1	43	8692	52SD Deck Baffle (Includes Items # F004 & F029)	1	
3	8754-3	Edge Molding	2	44	8052-2	Blade Spindle	3	
4	8754-5	52 SD Cover Plate (Includes Items # 3 & F354)	1	45	5705-25	Blade Spacer	3	
5	8245	Idler Pulley (6")	3	46	5705-14	Blade, 18-1/2	3	
6	8755	Blade Drive Pulley (3-7/8)	3		8738-7	52 SD Blade Set	*	
7	8762-1	Dampening Spring (Gas)	1	47	8707	52/62 SD Skid Bar	1	
8	5146	10mm Ball Stud	2	48	8709	52/62 SD Discharge Shield	1	
9	8373-3	Idler Arm (2-Hole)	1	49	8670-10	Tilt-Up Hook	1	
10	5830	Grease Fitting	3	Fasteners				
11	8374-1	Idler Arm Guide	1		F004	1/4-20 Keps Nut	11	
12	7201-3	Fiberglide Bearing	2		F009	5/16-18 Whiz Locknut	7	
13	7201-4	Inner Race (1-1/2)	1		F012	3/8-16 Keps Nut	4	
14	5841	Retainer Washer (3/8 x 1-1/4)	1		F013	3/8-16 Whiz Locknut	2	
15	8736	Blade Drive Belt (R3VX1000-2)	1		F014	3/8-16 ESNA Nut	3	
16	6240-2	Drive Pulley (4-1/2 / 3V) (Includes Items # F114 & F277)	1		F020	5/16-18 ESNA Nut	2	
17	8787	Deck Cover Knob	3		F023	10-24 ESNA Nut	2	
18	8786-10	Rubber Mat (6 x 10-1/2)	2		F029	1/4-20 x 1/2 Hex Bolt	5	
Gearbox and Dolly Wheel Components						F032	1/4-20 x 3/4 Hex Bolt	2
19	6206-1	Air Vent Valve	1		F034	5/16-18 x 3/4 Hex Bolt	1	
20	8745-25	Dolly Wheel/PTO Guard Assembly (Includes Items # 21, 26, 28, 31, 34, 35, F012, F013, F046, F052, F168, F226, F339 & F355)	*		F039	3/8-16 x 1-1/4 Hex Bolt	2	
21	6715	Roller Wheel (3-7/8)	3		F041	3/8-16 x 1-3/4 Hex Bolt	3	
22	8810-30	Tilt Dolly Mount Frame	1		F046	3/8-16 x 3-1/2 Hex Bolt	1	
23	8810-34	Axle, Dolly Mount	1		F048	1/2 SAE Washer	3	
24	8285-2	U-Joint Shaft Assy, T-Scope (Includes Items # 25, F076 & F277)	1		F051	3/8 SAE Washer	9	
25	5830-3	Grease Fitting (45 Degree)	2		F052	5/16 External Star Lock Washer	2	
26	8788	Rubber Bumper (Self-Adhesive Mount)	1		F059	3/8 Wave Spring Washer	2	
27	8745-14	Retract Lever	1		F068	1/8 x 1 Cotter Pin	2	
28	5850-3	Handle Grip, Foam (3-1/4)	1		F076	3/8-16 x 5/8 SQH Set Screw	*	
29	8745-12	Actuator Link	1		F108	3/8-16 x 2 Hex Bolt	1	
30	8745-13	Dolly Wheel Mount (Includes Item # 10)	1		F114	5/16-18 x 5/8 SQH Set Screw	2	
31	8745-15	Axle Spacer Tube	1		F134	AN960816L Washer	3	
32	5229	Extension Spring (1/2 x 2-1/4)	1		F168	5/16 Split Lock Washer	8	
33	8745-20	Mount Bracket (Includes Items # 26, F052, F068 & F339)	1		F206	#2 x 3/16 Drive Pin	2	
34	5103-4	Pivot Bushing (3/8 ID)	2		F226	5/16-18 x 7/8 Hex Bolt	12	
35	8745-40	PTO Cover Plate	1		F241	.375 x .875 x .10 Washer	2	
36	8051-11	Right Angle Gearbox (Includes Item # 19)	1		F246	1/4-20 x 1/2 PTHMS	2	
Deck Housing Components						F252	10-24 x 3/4 PFHMS	2
37	8727	Washer Shim (13/16 x 1/4)	4		F276	5/8-11 Jam Nut	3	
38	8775	Hitch Pin (#219)	4		F277	3/16 x 5/8 Woodruff Key (#605)	5	
39	8735-10	Rubber Mat (5 x 6)	2		F295	3/16 x 1-1/2 Split Spring Pin	2	
40	8790	Rubber Cushion Strip	3		F339	5/16-18 x 3/4 Self-Tapping Bolt	2	
					F343	1/2-20 x 2 Hex Bolt	3	
					F354	5/16 Knurled Thread Insert	2	
					F355	3/8-16 x 4 Hex Bolt	1	
					F356	1/4-20 x 5/8 PTHMS, SS	2	
					F458	Washer 1-1/4 x 5/8 x 3/16	3	
				*	Service Part Only			

DS52 MULCHING KIT

ITEM NO.	PART NO.	DESCRIPTION	NO. REQ'D
----------	----------	-------------	-----------

Kit 8691 Mulching Kit (For DS52 Deck Assembly)
 Includes Items # 1-7, fasteners listed and instructions. May be ordered as a factory-installed option or as a kit for dealer installation. Contact your Walker dealer. Refer also to **DS52 DECK ASSEMBLY**, page 22.

1	8691-4	Baffle, RH	1
2	8691-3	Baffle, Center	1
3	8691-2	Baffle, LH	1
4	8052-9	Mulch Blade Spacer	3
5	5705-15	Blade, 18-3/8" Upper Mulch	3
	8738-8	52 SD Mulching Blade Set	*
6	8691-10	Blade Saddle	3
7	5705-14	Blade, 18-1/2 (RH Rotation)	3

ITEM NO.	PART NO.	DESCRIPTION	NO. REQ'D
----------	----------	-------------	-----------

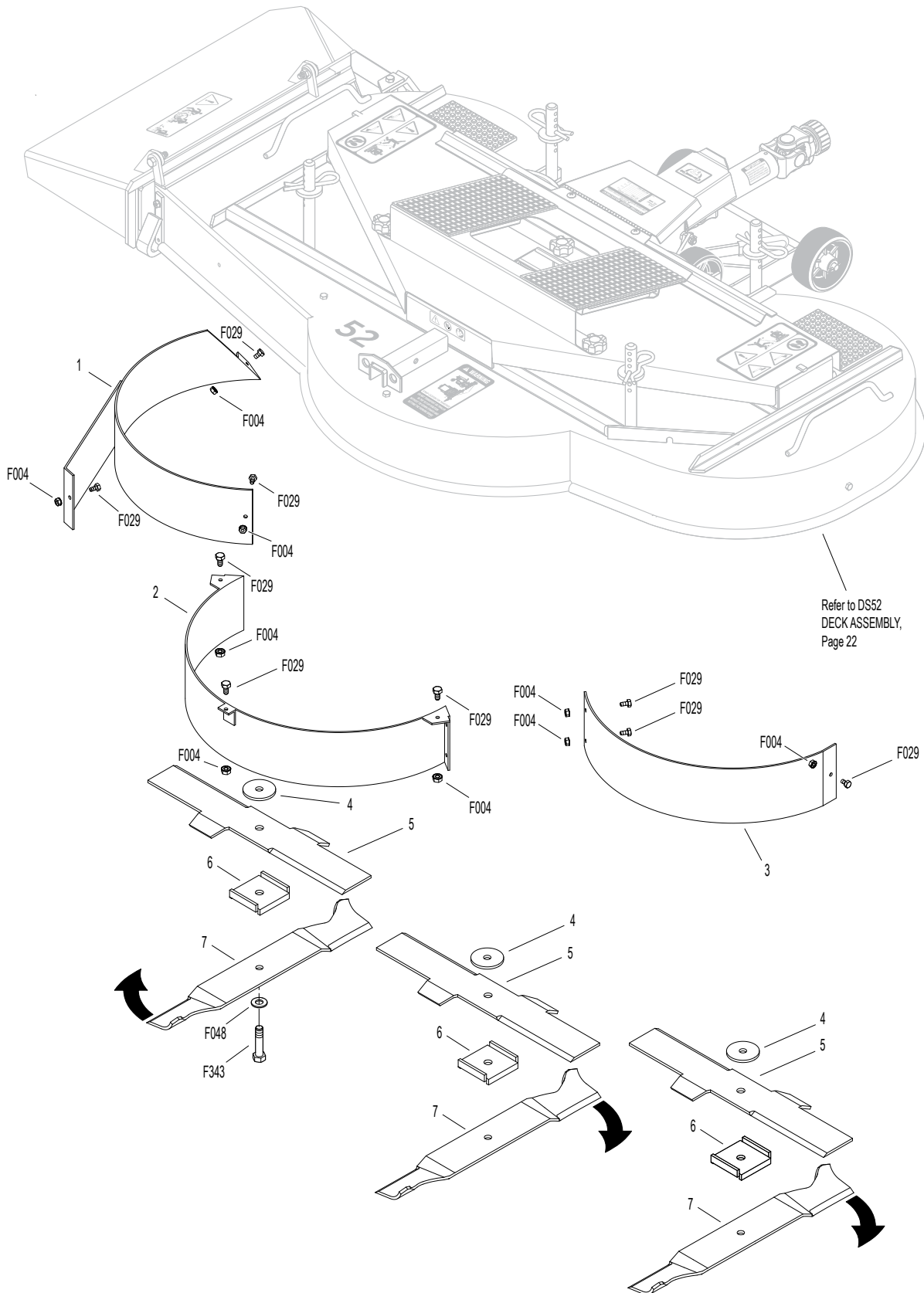
Fasteners

F004		1/4-20 Keps Nut	9
F029		1/4-20 x 1/2 Hex Bolt	9
F048		1/2 SAE Washer	3
F343		1/2-20 x 2 Hex Bolt	3

* Service Part Only. Includes 5705-15 Blades (3 Pieces).

NOTE: Reuse Item # 7 from **DS52 DECK ASSEMBLY**. Refer to **DS52 DECK ASSEMBLY**, page 22.

DS52 MULCHING KIT

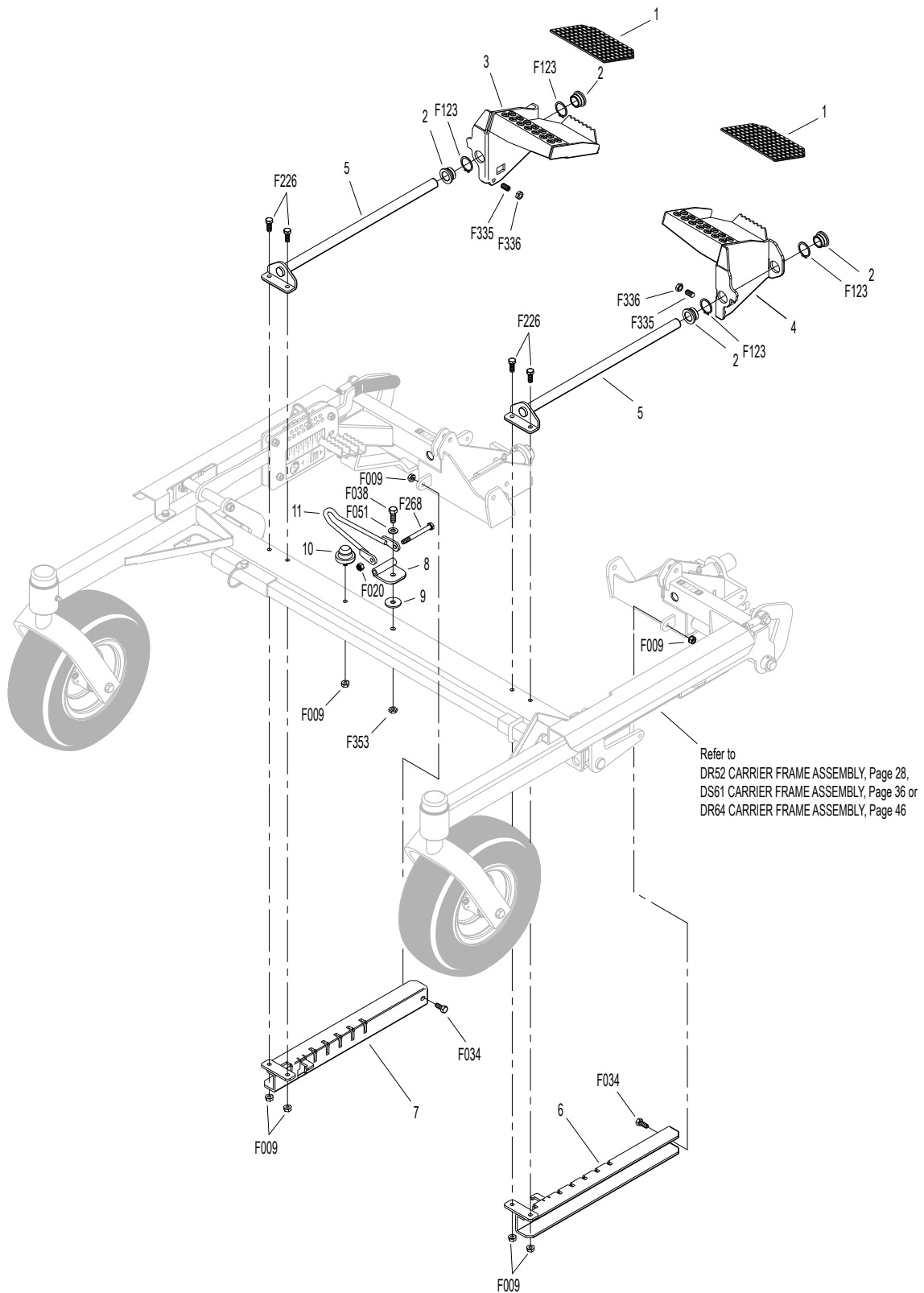


DR52, DS61 & DR64 CARRIER FRAME FOOTREST COMPONENTS

ITEM NO.	PART NO.	DESCRIPTION	NO. REQ'D	ITEM NO.	PART NO.	DESCRIPTION	NO. REQ'D
Footrest Components				Fasteners			
1	8735-11	Rubber Mat (4 x 6)	2	F009	5/16-18 Whiz Locknut		7
2	2724-17	Guide Rod Bushing	4	F020	5/16-18 ESNA Nut		1
3	2786-12	Footrest, RH (Includes Item # 1)	1	F034	5/16-18 x 3/4 Hex Bolt		2
4	2786-11	Footrest, LH (Includes Item # 1)	1	F038	3/8-16 x 1 Hex Bolt		1
5	2786-10	Adjustable Footrest Rod	2	F051	3/8 SAE Washer		1
6	2786-15	Footrest Lock Channel, LH	1	F123	1" External Snap Ring		4
7	2786-14	Footrest Lock Channel, RH	1	F226	5/16-18 x 7/8 Hex Bolt		4
Tilt-Up Hook Components				F268	5/16-18 x 3 Hex Bolt		1
8	8670-14	Tilt-Up Hook Base	1	F335	3/8-16 x 7/8 Set Screw, SS		2
9	5841	Retainer Washer (3/8 x 1-1/4)	1*	F336	3/8-16 Jam Nut		2
10	5845-1	Rubber Latch	1	F353	3/8-16 ESNA LP Nut		1
11	8670-13	Tilt-Up Hook	1	* Item used on DS61 and DR64 only			

NOTE: Model DR64 is shown.

DR52, DS61 & DR64 CARRIER FRAME FOOTREST COMPONENTS



Refer to LUBRICATION POINTS, Page 56.

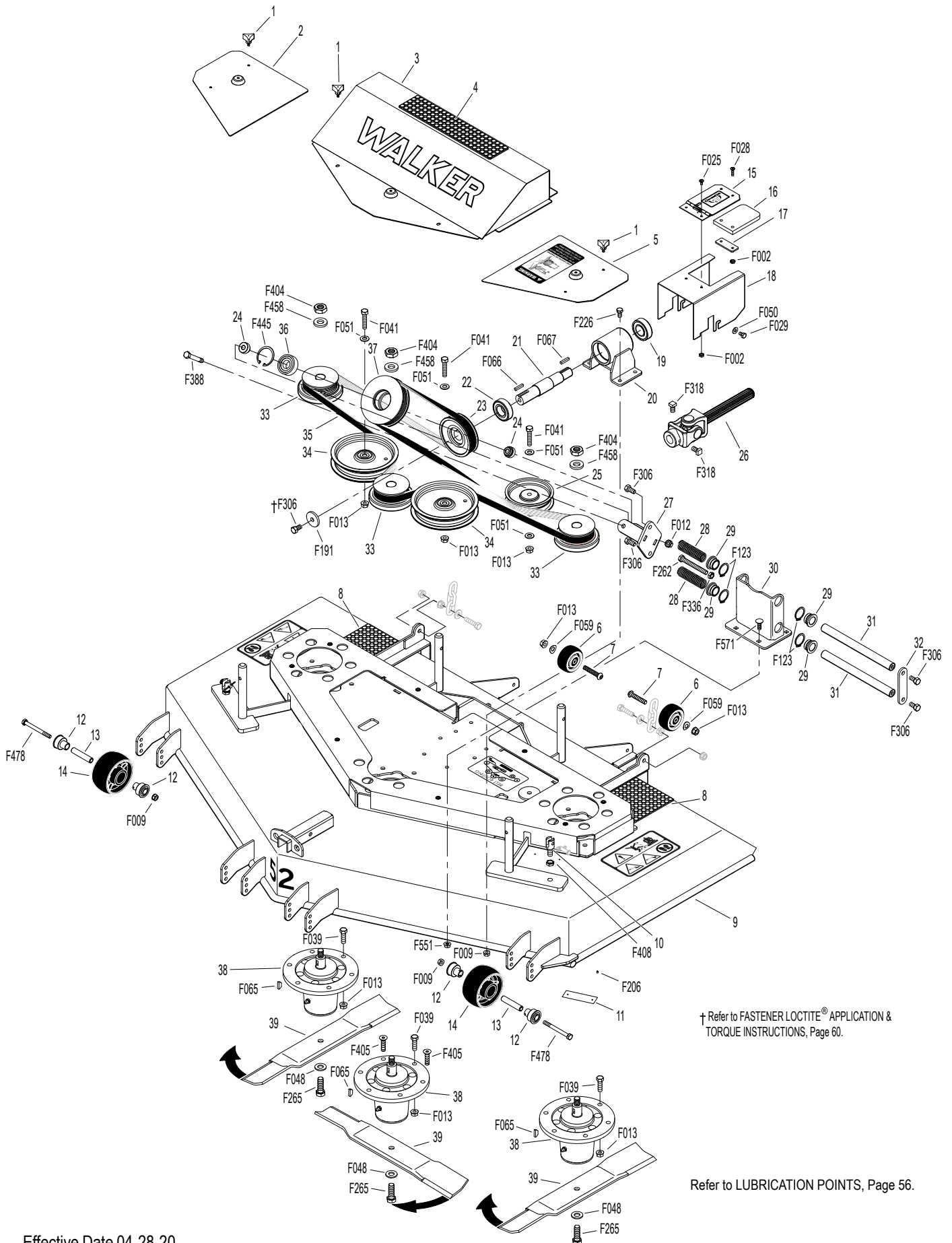
DR52 COMPLETE CARRIER FRAME ASSEMBLY

ITEM NO.	PART NO.	DESCRIPTION	NO. REQ'D	ITEM NO.	PART NO.	DESCRIPTION	NO. REQ'D
Spring and Pivot Mount Components				36	2722-4	Pivot Shaft	2
				37	2655	Lift Chain	4
1	2744-1	Spring Clip Bracket	1	38	4407-4	Bow Tie Cotter Pin	2
2	5975-3	Cable Tie (50# x 7")	4	39	2215-4	Height Adjustment Rod	2
3	5743-12	Spring Cover	2	40	5146-1	10mm Ball Stud x 5/8	2
4	5743-13	Extension Spring (Includes Items # 3, F545 & F548)	2	41	5146	10mm Ball Stud	2
5	2723-10	Counter Weight Spring Mount	2	42	2215	Gas Spring Assembly	2
6	2723-19	Locking Arm, LH (Includes Item # F432)	1	43	2721-5	Lifting Arm Assembly (Includes Item # 7)	1
7	5830	Grease Fitting	10	44	2721-2	Lifting Cross Tube	1
8	2667-1	Pivot Mount, LH (Includes Item # 7)	1	45	2723-7	Height Adjustment Arm (Includes Item # 46)	1
9	2723-4	Pivot Shaft	2	46	5850-3	Handle Grip, Foam (3-1/4)	1
10	2667-2	Pivot Mount, RH (Includes Item # 7)	1	47	2722-7	Foot Pedal Pad	1
11	2723-15	Locking Arm, RH (Includes Item # F432)	1	48	2722-6	Deck Height Adjustment Trigger (Includes Item # 7)	1
Carrier Frame Components				Fasteners			
12	2215-2	Gas Spring Cover, RH	1	F004	1/4-20 Keps Nut		6
13	2723-2	Outer Height Adjustment Plate	1	F009	5/16-18 Whiz Locknut		13
14	7775-9	Wire Lock Pin (5/16 x 1-3/8)	1	F013	3/8-16 Whiz Locknut		14
15	2720-3	Height Adjustment Spacer	4	F035	5/16-18 x 1-1/4 Hex Bolt		2
16	2723-1	Inner Height Adjustment Plate	1	F038	3/8-16 x 1 Hex Bolt		2
17	2215-3	Gas Spring Cover, LH	1	F039	3/8-16 x 1-1/4 Hex Bolt		2
18	8740	Deck Pin Bushing (3/4 ID)	4	F040	3/8-16 x 1-1/2 Hex Bolt		5
19	2911-8	DR52 Carrier Frame (Includes Item # 25)	1	F048	1/2 SAE Washer		2
20	7775-5	Lock Pin (5/16 x 1-5/8)	1	F050	1/4 SAE Washer		6
21	8811-25	Tilt Bar W/Grip (35") (Includes Item # 22)	1	F071	3/4 External Snap Ring		2
22	5850-5	Handle Grip (1 x 1 x 3-3/4)	1	F090	1/4-20 x 2-1/2 Hex Bolt		4
Caster Wheel Components				F132	1/4-20 x 2-3/4 Hex Bolt		2
23	8769-8	Dust Cap, Deck Caster	2	F205	5/16-18 x 1/4 Set Screw (Knurl Point)		2
24	8769-6	Bearing Cone (1" ID)	4	F215	3/8-16 x 1/2 x 1/2 S Bolt		2
25	8769-5	Bearing Cup (2 x 1-5/8)	4	F218	7/16 Split Lock Washer		4
26	8769-7	Seal	2	F219	7/16-14 x 1-1/4 Hex Bolt		4
27	2770	Caster Wheel Fork	2	F226	5/16-18 x 7/8 Hex Bolt		5
28	7038	Wheel Axle (3/4 x 5-9/16)	2	F241	.375 x .875 x .10 Washer		18
29	8768-2	Seal, Reverse Lip	4	F263	1-1/4 External Snap Ring		6
30	8037	Bearing Cone (3/4 ID)	4	F268	5/16-18 x 3 Hex Bolt		1
31	8035-1	Wheel & Tire (13 x 4.5-6) (W/Bearing Race)	2	F298	3/8-24 Jam Nut		4
32	8038-1	Spacer, Wheel Axle (.750 ID x 1.125 OD)	2	F344	3/4-16 Slotted Hex Nut		2
33	8039	Nut, Wheel Axle	2	F348	1/8 x 1-1/2 Cotter Pin		2
Deck Lift Components				F378	3/8-16 x 6 Hex Bolt		1
34	2722-5	Deck Height Adjustment, LH (Includes Item # 7)	1	F432	3/16 x 1/2 Split Spring Pin		2
35	2214-10	Rod End, Female (3/8-24)	4	F436	3/16 x 1-1/8 Roll Pin		4
				F437	Clevis Pin (1/4 x 1)		2
				F438	5/16-18 x 2-3/4 Hex Bolt		1
				F545	Retention Washer (.250 Wire)		2
				F548	Retention Ring (.235 Wire)		2
				F639	Belleville Washer (1.5 x .755 x .072)		2

DR52 DECK ASSEMBLY

ITEM NO.	PART NO.	DESCRIPTION	NO. REQ'D	ITEM NO.	PART NO.	DESCRIPTION	NO. REQ'D
Deck Housing Components				Blade Spindle Components			
1	2703-5	Knob, 10-24 x 1/2	8	38	2052-1	Blade Spindle	3
2	2723-12	Spindle Cover, RH	1	39	7705-14	Blade (18.333)	3
3	2786-17	DR52 Belt Cover (Includes Item # 4)	1	Fasteners			
4	8735-8	Rubber Mat (2-1/2 x 12)	1	F002	10-24 Keps Nut		4
5	2723-13	Spindle Cover, LH	1	F009	5/16-18 Whiz Locknut		8
6	9772	Roller Wheel Assembly (2-1/2) (Includes Item # F059)	2	F012	3/8-16 Keps Nut		1
7	8490-1	Roller Wheel Axle Bolt	2	F013	3/8-16 Whiz Locknut		23
8	8735-10	Rubber Mat (5 x 6)	2	F025	10-24 x 3/8 PPHMS		2
9	2910-9	DR52 Deck Housing (Includes Item # 8)	1	F028	10-24 x 3/4 PPHMS		2
10	2720-5	Deck Height Adjustment Clevis	2	F029	1/4-20 x 1/2 Hex Bolt		2
11	NS	Deck Serial Number Plate	1	F039	3/8-16 x 1-1/4 Hex Bolt		16
12	6715-3	Roller Wheel Bearing	8	F041	3/8-16 x 1-3/4 Hex Bolt		3
13	6715-4	Axle Spacer Tube	4	F048	1/2 SAE Washer		3
14	6715-2	Roller Wheel	4	F050	1/4 SAE Washer		2
Blade Drive Components				F051	3/8 SAE Washer		4
15	2618-1	Cover, PTO Shaft Guard	1	F059	3/8 Wave Spring Washer		2
16	2620-3	Rubber Flap	1	F065	3/16 x 3/4 Woodruff Key (#606)		3
17	2620-2	Backing Plate	1	F066	1/4 x 1/4 x 3/4 Key		1
18	2619-4	PTO Shaft Guard	1	F067	3/16 x 3/16 x 1 Key		1
19	5270	Bearing W/Collar (1")	1	F123	1" External Snap Ring		4
20	2726	PTO Bearing Housing	1	F191	3/8 x 1-1/2 x 3/16 Washer		1
21	2726-4	PTO Drive Shaft	1	F206	#2 x 3/16 Drive Pin		2
22	5270-1	Ball Bearing	1	F226	5/16-18 x 7/8 Hex Bolt		4
23	2240-11	Drive Pulley (3-3/4)	1	F262	3/8-16 x 4 Hex Bolt All Thread		1
24	2245-6	Idler Pulley Shaft	2	F265	1/2-20 x 1-1/2 Hex Bolt		3
25	7245-2	Idler Pulley	1	F306	3/8-16 x 3/4 Hex Bolt		5
26	8285-4	U-Joint Shaft Assembly, Spline (Includes Item # F318)	1	F318	3/8-16 x 3/4 SQH Set Screw		2
27	2724-14	Idler Mount Weldment	1	F336	3/8-16 Jam Nut		1
28	5195-2	Compression Spring (1 x 6-3/8) (Black)	2	F388	3/8-16 x 2-1/2 Hex Bolt		1
29	2724-17	Guide Rod Bushing	4	F404	5/8-18 Jam Nut		3
30	2725-8	Mount Base	1	F405	3/8-16 x 1-1/2 FHA Screw, SS		2
31	2723-16	Guide Rod (8-5/8) Clear Zinc	2	F408	7/16-20 Jam Nut		2
32	2724-19	Guide Rod Stop	1	F445	1-7/8 Internal Snap Ring		1
33	2240-6	Blade Drive Pulley (3-1/8) W/Shield	3	F458	Washer 1-1/4 x 5/8 x 3/16		3
34	8245	Idler Pulley (6")	2	F478	5/16-18 x 3-1/4 Hex Bolt		4
35	2731-2	Blade Drive Belt (1150L4-K)	1	F551	5/16-18 Flange Top Lock Nut		4
36	2265	Bearing (20mm)	1	F571	5/16-18 x 7/8 Carriage Bolt		4
37	2245-2	Idler Pulley	1				

DR52 DECK ASSEMBLY



† Refer to FASTENER LOCTITE® APPLICATION & TORQUE INSTRUCTIONS, Page 60.

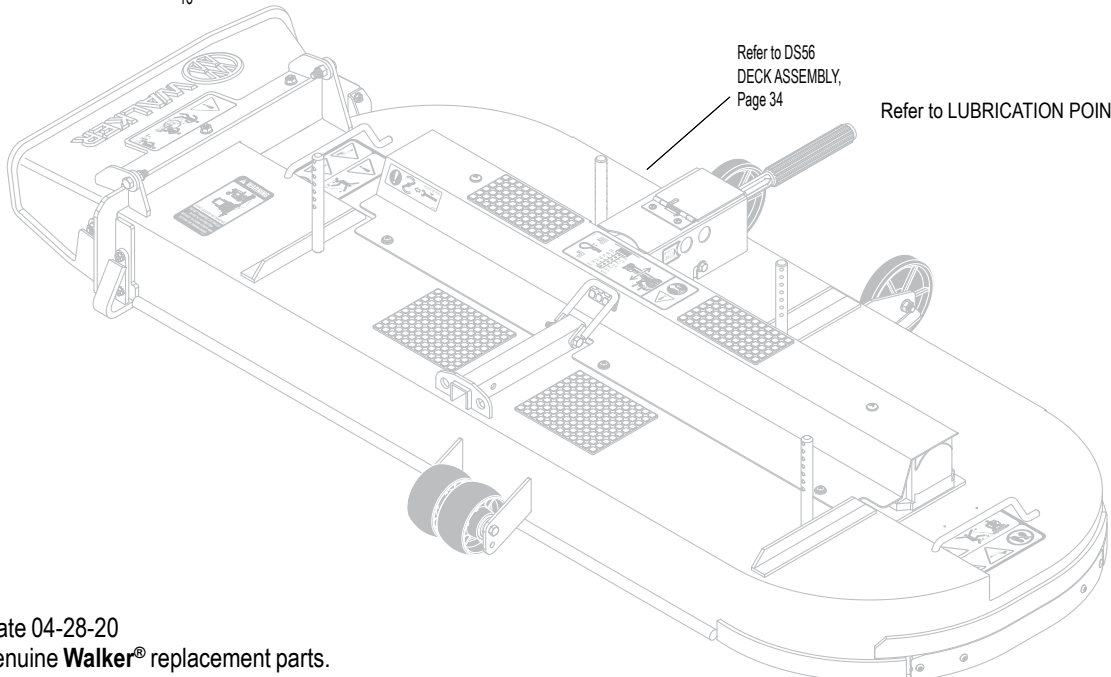
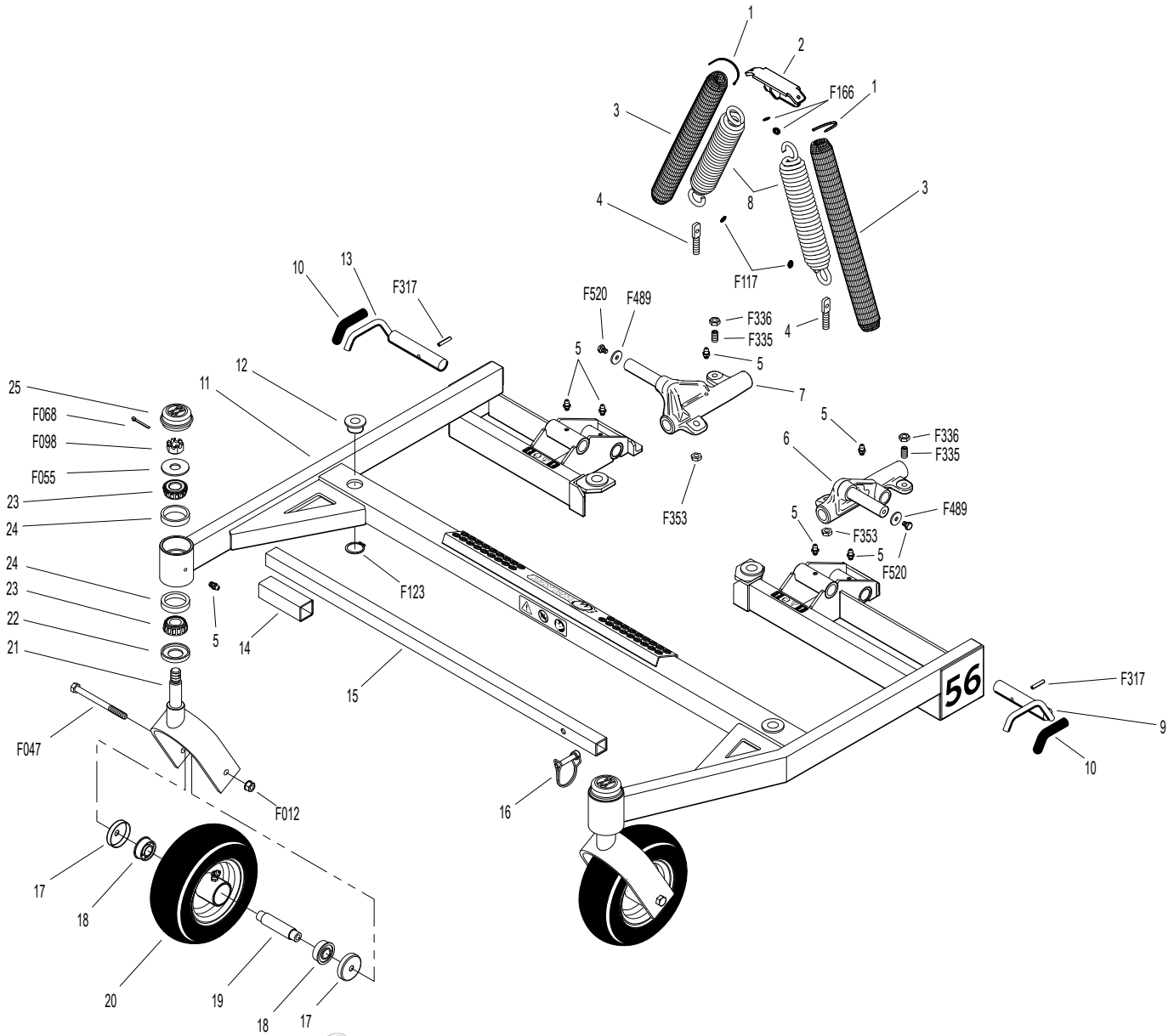
Refer to LUBRICATION POINTS, Page 56.

DS56 COMPLETE CARRIER FRAME ASSEMBLY

ITEM NO.	PART NO.	DESCRIPTION	NO. REQ'D	ITEM NO.	PART NO.	DESCRIPTION	NO. REQ'D
Spring and Pivot Mount Components				Caster Wheel Components			
1	5975-3	Cable Tie (50# x 7")	4	17	8769-11	Bearing Cup (3/8 ID)	4
2	5744-1	Spring Clip Bracket	1	18	5714-11	Bearing	4
3	5743-1	Spring Cover	2	19	5714-10	Axle Tube (3.417)	2
4	5743-3	Eyebolt (3/8-16 x 2)	2	20	5715-23	Caster Wheel & Tire/No-Flat (8 x 3.00-4) W/Cups (Includes Items # 17-19)	2
5	5830	Grease Fitting	8	21	5770-1	Caster Wheel Fork	2
6	8667-3	Pivot Mount Assembly, LH/Adj. (Includes Items # 5, F353, F489 & F520)	*	22	8768-1	Seal (1-3/4 x 1-1/8)	2
7	8667-4	Pivot Mount Assembly, RH/Adj. (Includes Items # 5, F353, F489 & F520)	*	23	8037	Bearing Cone (3/4 ID)	4
8	5743-6	Extension Spring, Green (1-1/2 x 7-3/4) (Includes Items # 1, F117 & F166)	2	24	8769-1	Bearing Cup (1-3/4 x 1-7/16)	4
Carrier Frame Components				Fasteners			
9	8674-11	Lever, Deck Lock, LH	1	F012	3/8-16 Keps Nut		2
10	7406-1	Handle Grip, Red	2	F047	3/8-16 x 4-1/2 Hex Bolt		2
11	6720-1	56 SD Carrier Frame (Includes Item # 24)	1	F055	5/8 SAE Washer		2
12	5740-2	Deck Pin Bushing (5/8)	4	F068	1/8 x 1 Cotter Pin		2
13	8674-10	Lever, Deck Lock, RH	1	F098	5/8-18 Slotted Hex Nut		2
14	5850-5	Handle Grip (1 x 1 x 3-3/4)	1	F117	Retainer Ring		2
15	6811-25	Tilt Bar With Grip (30") (Includes Item # 14)	1	F123	1" External Snap Ring		4
16	7775-5	Lock Pin (5/16 x 1-5/8)	1	F166	Retainer Ring		2
				F317	3/16 x 1 Split Spring Pin		2
				F335	3/8-16 x 7/8 Set Screw, SS		2
				F336	3/8-16 Jam Nut		2
				F353	3/8-16 ESNA LP Nut		2
				F489	Washer 1/4 x 7/8 x .090		2
				F520	1/4-28 x 3/8 Hex Bolt		2

* Service Part Only

DS56 COMPLETE CARRIER FRAME ASSEMBLY



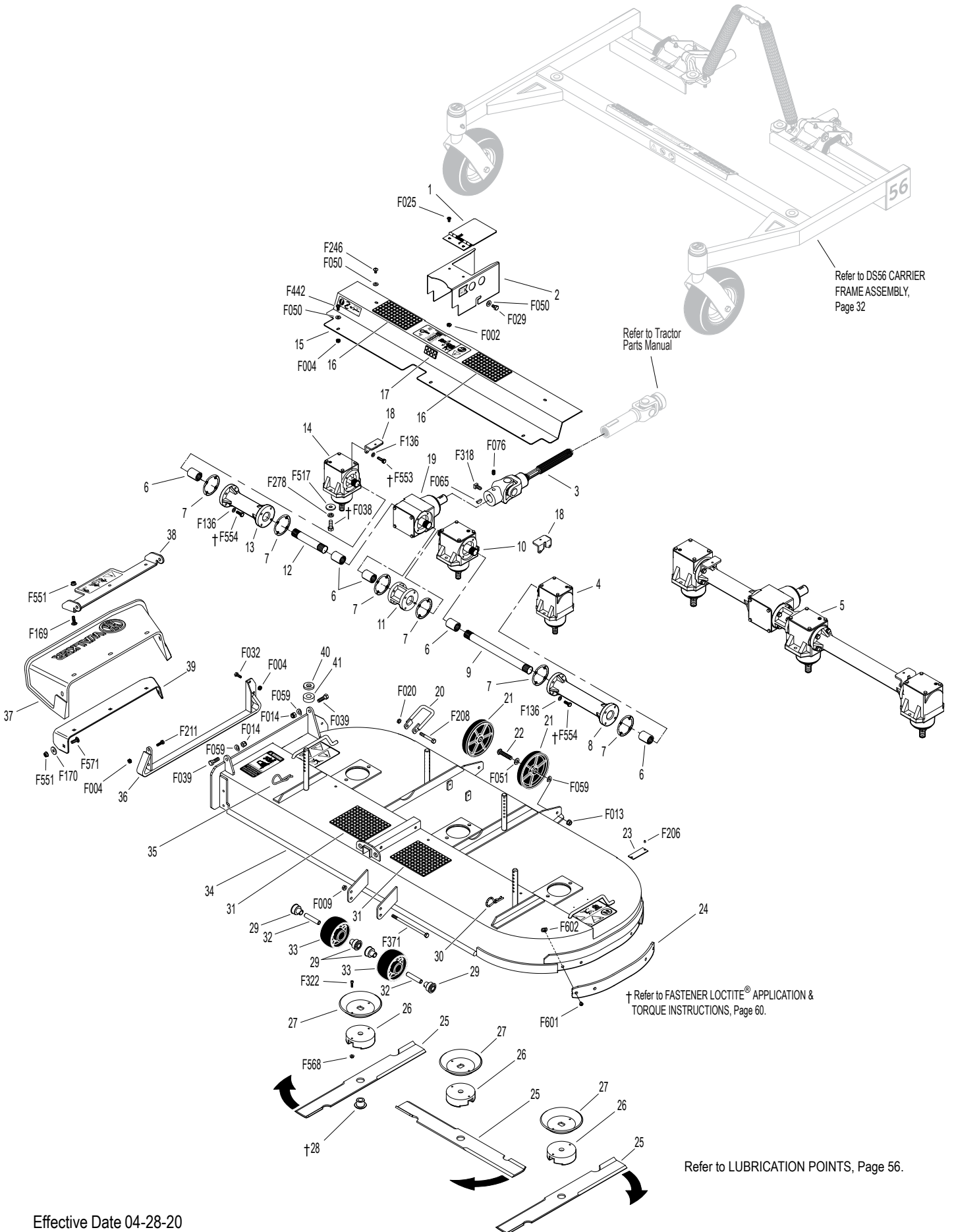
Refer to DS56
DECK ASSEMBLY,
Page 34

Refer to LUBRICATION POINTS, Page 56.

DS56 DECK ASSEMBLY

ITEM NO.	PART NO.	DESCRIPTION	NO. REQ'D	ITEM NO.	PART NO.	DESCRIPTION	NO. REQ'D
Gearbox and Drive Components				35	7775-2	Hitch Pin, RH (Gold) #6	2
1	8618-1	Cover, PTO Shaft Guard	1	36	6707-6	56 SD Skid Bar	1
2	8619-2	PTO Shaft Guard	1	37	5709-19	Rubber Shield	1
	8618-3	PTO Shaft Guard Assembly (Includes Items # 1, 2, F002 & F025)	*	38	6706-9	Discharge Shield Frame	1
3	7285-4	U-Joint Shaft, Splined (Keyed) (Includes Items # F065, F076 & F318)	1	39	6706-10	Center Backup Plate	1
4	5052-9	HD Gearbox (1:1.2) CCW-CCW	1	40	5727-1	Washer Shim (5/8 ID)	4
5	6711-15	56 SD Gearbox and Tube Assembly, HD (Includes Items # 4, 6-14, 18, 19, F136, F553 & F554)	1	41	7434-1	Washer 1-3/8 x 5/8-1/2 Thick	4
6	6054	Spline Coupling	5	Fasteners			
7	P007	Gasket, Cap (Peerless #788030)	6	F002	10-24 Keps Nut		2
8	5069	Gearbox Connector Tube (14-1/2)	1	F004	1/4-20 Keps Nut		7
9	6733-9	Connecting Shaft (12-1/8)	1	F009	5/16-18 Whiz Locknut		1
10	5058-3	HD Tee Gearbox (1:1.2 Ratio)	1	F013	3/8-16 Whiz Locknut		2
11	5060	Gearbox Connector Tube (2-5/16)	1	F014	3/8-16 ESNA Nut		2
12	6733-3	Connecting Shaft (6-1/4)	1	F020	5/16-18 ESNA Nut		1
13	5063	Gearbox Connector Tube (8-5/8)	1	F025	10-24 x 3/8 PPHMS		2
14	5053-7	HD Gearbox (1:1.2) CW-CCW	1	F029	1/4-20 x 1/2 Hex Bolt		2
15	6786-3	56 SD Gearbox Cover (Includes Items # 16 & 17)	1	F032	1/4-20 x 3/4 Hex Bolt		2
16	5747-10	Rubber Mat, No-Hole (3 x 6)	2	F038	3/8-16 x 1 Hex Bolt		6
17	8788-1	Rubber Mat (1 x 2)	1	F039	3/8-16 x 1-1/4 Hex Bolt		2
18	5704-1	Gearbox Cover Support	2	F050	1/4 SAE Washer		7
19	5051-5	HD Tee Gearbox (1:1) CW-CW & CCW	1	F051	3/8 SAE Washer		2
Deck Housing Components				F059	3/8 Wave Spring Washer		4
20	8670-8	Tilt-Up Hook	1	F065	3/16 x 3/4 Woodruff Key (#606)		1
21	5162-12	Roller Wheel (5" Poly) (Includes Items # 22, F013 & F059)	2	F076	3/8-16 x 5/8 SQH Set Screw		1
22	8490	Roller Wheel Axle Bolt	2	F136	AN960C416L Washer		24
23	NS	Deck Serial Number Plate	1	F169	5/16-18 x 1 Carriage Bolt		3
24	7703-12	Replaceable Wear Edge (Includes Items # F601 & F602)	1	F170	5/16 x 1 x 7/64 Flat Washer (Zinc Plate)		2
25	7705-40	Blade, 20"	3	F206	#2 x 3/16 Drive Pin		2
26	8691-8	Blade Spacer	3	F208	5/16-18 x 2-1/4 Hex Bolt		1
27	5706	Blade Hub & Trash Guard	3	F211	1/4-20 x 7/8 Hex Bolt		2
28	8691-7	Spacer T-Nut	3	F246	1/4-20 x 1/2 PTHMS		2
29	6715-3	Roller Wheel Bearing	4	F278	3/8 Split Lock Washer		6
30	7775-1	Hitch Pin, LH (Silver) #6	2	F318	3/8-16 x 3/4 SQH Set Screw		1
31	8735-10	Rubber Mat (5 x 6)	2	F322	10-24 x 3/4 SHC Screw, GR5 SS		6
32	6715-4	Axle Spacer Tube	2	F371	5/16-18 x 6 Hex Bolt		1
33	6715-2	Roller Wheel	2	F442	1/4-20 x 5/8 PTHMS		3
34	6720-11	56 SD Deck Housing (Includes Items # 16, 17, 24, 31, F004, F442, F601 & F602)	1	F517	Washer 3/8 x 1-1/8 x 1/8		6
				F551	5/16-18 Flange Top Lock Nut		5
				F553	1/4-20 x 1 Hex Bolt W/Loctite		4
				F554	1/4-20 x 7/8 Hex Bolt W/Loctite		20
				F568	10-24 Flange Top Lock Nut		6
				F571	5/16-18 x 7/8 Carriage Bolt		2
				F601	1/4-20 x 3/8 Torx Button Head		4
				F602	1/4-20 x 1/4 T-Nut		4
				* Service Part Only			

DS56 DECK ASSEMBLY



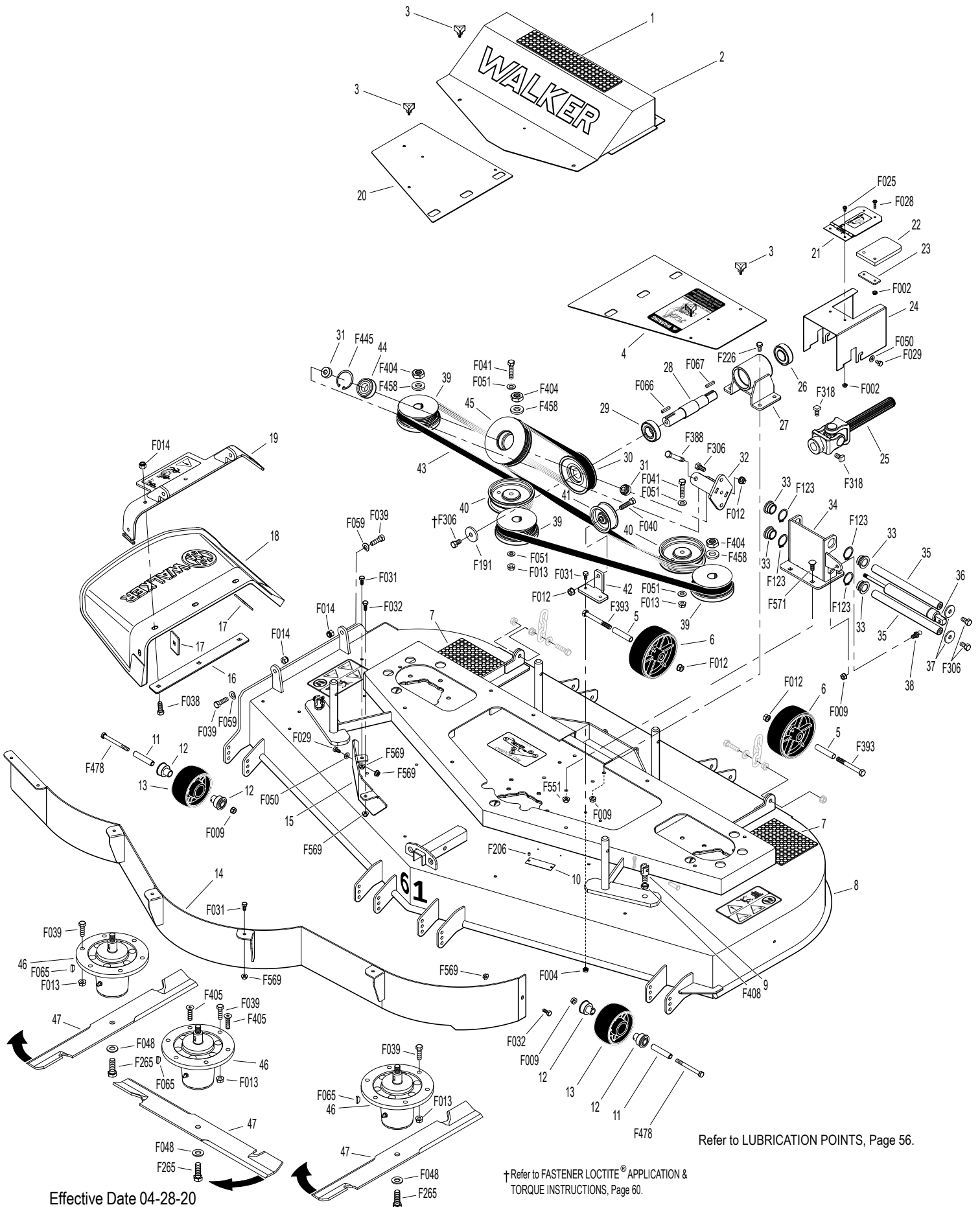
DS61 COMPLETE CARRIER FRAME ASSEMBLY

ITEM NO.	PART NO.	DESCRIPTION	NO. REQ'D	ITEM NO.	PART NO.	DESCRIPTION	NO. REQ'D
Spring and Pivot Mount Components				36	2722-4	Pivot Shaft, LH	1
1	2744-1	Spring Clip Bracket	1	37	2655	Lift Chain	4
2	5975-3	Cable Tie (50# x 7")	4	38	4407-4	Bow Tie Cotter Pin	2
3	5743-12	Spring Cover	2	39	2215-4	Height Adjustment Rod	2
4	5743-13	Extension Spring (Includes Items # 3, F545 & F548)	2	40	5146-1	10mm Ball Stud x 5/8	1
5	2723-10	Counter Weight Spring Mount	2	41	7146	13mm Ball Stud	1
6	2723-19	Locking Arm, LH (Includes Item # F432)	1	42	7147	Spring Clip	1
7	5830	Grease Fitting	10	43	2215-9	Gas Spring Assembly	1
8	2667-1	Pivot Mount, LH (Includes Item # 7)	1	44	2721-1	Lifting Arm (Includes Item # 7)	1
9	2723-4	Pivot Shaft	2	45	2721-2	Lifting Cross Tube	1
10	2667-2	Pivot Mount, RH (Includes Item # 7)	1	46	2723-3	Height Adjustment Arm (Includes Item # 46)	1
11	2723-15	Locking Arm, RH (Includes Item # F432)	1	47	5850-3	Handle Grip, Foam (3-1/4)	1
Carrier Frame Components				48	2722-7	Foot Pedal Pad	1
12	2215-2	Gas Spring Cover, RH	1	49	2722-18	Deck Height Adjustment Trigger (Includes Item # 7)	1
13	2723-2	Outer Height Adjustment Plate	1	50	2722-3	Pivot Shaft, RH	1
14	7775-9	Wire Lock Pin (5/16 x 1-3/8)	1	Fasteners			
15	2720-3	Height Adjustment Spacer	4	F004	1/4-20 Keps Nut		6
16	2723-1	Inner Height Adjustment Plate	1	F009	5/16-18 Whiz Locknut		11
17	2215-8	Gas Spring Cover, LH	1	F013	3/8-16 Whiz Locknut		14
18	8740	Deck Pin Bushing (3/4 ID)	4	F035	5/16-18 x 1-1/4 Hex Bolt		2
19	2911-9	DS61 Carrier Frame (Includes Items # 7 & 25)	1	F038	3/8-16 x 1 Hex Bolt		2
20	7775-5	Lock Pin (5/16 x 1-5/8)	1	F039	3/8-16 x 1-1/4 Hex Bolt		2
21	8811-25	Tilt Bar W/Grip (35") (Includes Item # 22)	1	F040	3/8-16 x 1-1/2 Hex Bolt		5
22	5850-5	Handle Grip (1 x 1 x 3-3/4)	1	F048	1/2 SAE Washer		2
Caster Wheel Components				F050	1/4 SAE Washer		6
23	8769-8	Dust Cap, Deck Caster	2	F071	3/4 External Snap Ring		2
24	8769-6	Bearing Cone (1" ID)	4	F090	1/4-20 x 2-1/2 Hex Bolt		4
25	8769-5	Bearing Cup (2 x 1-5/8)	4	F132	1/4-20 x 2-3/4 Hex Bolt		2
26	8769-7	Seal	2	F205	5/16-18 x 1/4 Set Screw (Knurl Point)		2
27	2770	Caster Wheel Fork	2	F215	3/8-16 x 1/2 x 1/2 S Bolt		2
28	7038	Wheel Axle (3/4 x 5-9/16)	2	F218	7/16 Split Lock Washer		4
29	8768-2	Seal, Reverse Lip	4	F219	7/16-14 x 1-1/4 Hex Bolt		4
30	8037	Bearing Cone (3/4 ID)	4	F226	5/16-18 x 7/8 Hex Bolt		5
31	8035-1	Wheel & Tire (13 x 4.5-6) (W/Bearing Race)	2	F241	.375 x .875 x .10 Washer		18
32	8038-1	Spacer, Wheel Axle (.750 ID x 1.125 OD)	2	F263	1-1/4 External Snap Ring		6
33	8039	Nut, Wheel Axle	2	F268	5/16-18 x 3 Hex Bolt		1
Deck Lift Components				F298	3/8-24 Jam Nut		4
34	2722-1	Deck Height Adjustment, LH (Includes Item # 7)	1	F344	3/4-16 Slotted Hex Nut		2
35	2214-10	Rod End, Female (3/8-24)	4	F348	1/8 x 1-1/2 Cotter Pin		2
				F378	3/8-16 x 6 Hex Bolt		1
				F432	3/16 x 1/2 Split Spring Pin		2
				F436	3/16 x 1-1/8 Roll Pin		4
				F437	Clevis Pin (1/4 x 1)		2
				F438	5/16-18 x 2-3/4 Hex Bolt		1
				F545	Retention Washer (.250 Wire)		2
				F548	Retention Ring (.235 Wire)		2
				F639	Belleville Washer (1.5 x .755 x .072)		2

DS61 DECK ASSEMBLY

ITEM NO.	PART NO.	DESCRIPTION	NO. REQ'D	ITEM NO.	PART NO.	DESCRIPTION	NO. REQ'D
Deck Housing Components				Blade Spindle Components			
1	8735-8	Rubber Mat (2-1/2 x 12)	1	46	2052-1	Blade Spindle	3
2	2787	DS61 Belt Cover (Includes Item # 1)	1	47	7705-30	Blade 21"	3
3	2703-5	Knob, 10-24 x 1/2	9	Fasteners			
4	2725-13	Spindle Cover, LH	1	F002	10-24 Keps Nut		4
5	8745-15	Axle Spacer Tube	2	F004	1/4-20 Keps Nut		2
6	5162-2	Roller Wheel (2 x 5)	2	F009	5/16-18 Whiz Locknut		9
7	8735-10	Rubber Mat (5 x 6)	2	F012	3/8-16 Keps Nut		4
8	2910-11	DS61 Deck Housing (Includes Item # 7)	1	F013	3/8-16 Whiz Locknut		20
9	2720-5	Deck Height Adjustment Clevis	2	F014	3/8-16 ESNA Nut		7
10	NS	Deck Serial Number Plate	1	F025	10-24 x 3/8 PPHMS		2
11	6715-4	Axle Spacer Tube	4	F028	10-24 x 3/4 PPHMS		2
12	6715-3	Roller Wheel Bearing	8	F029	1/4-20 x 1/2 Hex Bolt		3
13	6715-2	Roller Wheel	4	F031	1/4-20 x 5/8 Hex Bolt		9
14	2691-12	Baffle, DS61	1	F032	1/4-20 x 3/4 Hex Bolt		2
15	2691-9	Bolt In Baffle, DS61	1	F038	3/8-16 x 1 Hex Bolt		5
16	2705-12	Center Backup Plate	1	F039	3/8-16 x 1-1/4 Hex Bolt		18
17	2705-13	End Backup Plate	2	F040	3/8-16 x 1-1/2 Hex Bolt		1
18	2809-4	Rubber Shield, 61	1	F041	3/8-16 x 1-3/4 Hex Bolt		2
19	2705-14	Chute Frame, DS61	1	F048	1/2 SAE Washer		3
20	2725-14	Spindle Cover, RH	1	F050	1/4 SAE Washer		3
Blade Drive Components				F051	3/8 SAE Washer		4
21	2618-1	Cover, PTO Shaft Guard	1	F059	3/8 Wave Spring Washer		2
22	2620-3	Rubber Flap	1	F065	3/16 x 3/4 Woodruff Key (#606)		3
23	2620-2	Backing Plate	1	F066	1/4 x 1/4 x 3/4 Key		1
24	2619-3	PTO Shaft Guard	1	F067	3/16 x 3/16 x 1 Key		1
	2618-4	PTO Shaft Guard Assembly (Includes Items # 21-24, F002, F025 & F028)	*	F123	1" External Snap Ring		4
25	8285-3	U-Joint Shaft Assembly, Spline (Includes Item # F318)	1	F191	3/8 x 1-1/2 x 3/16 Washer		1
26	5270	Bearing W/Collar (1")	1	F206	#2 x 3/16 Drive Pin		2
27	2726	PTO Bearing Housing	1	F226	5/16-18 x 7/8 Hex Bolt		4
28	2726-4	PTO Drive Shaft	1	F265	1/2-20 x 1-1/2 Hex Bolt		3
29	5270-1	Ball Bearing	1	F306	3/8-16 x 3/4 Hex Bolt		5
30	2240-11	Drive Pulley (3-3/4)	1	F318	3/8-16 x 3/4 SQH Set Screw		2
31	2245-6	Idler Pulley Shaft	2	F388	3/8-16 x 2-1/2 Hex Bolt		1
32	2725-12	Idler Mount Weldment	1	F393	3/8-16 x 3-1/4 Hex Bolt		2
33	2724-17	Guide Rod Bushing	4	F404	5/8-18 Jam Nut		3
34	2725-9	Mount Base	1	F405	3/8-16 x 1-1/2 FHA Screw, SS		2
35	2723-16	Guide Rod (8-5/8) Clear Zinc	2	F408	7/16-20 Jam Nut		2
36	2215-10	Deck Belt Dampener	1	F445	1-7/8 Internal Snap Ring		1
37	5841	Retainer Washer (3/8 x 1-1/4)	2	F458	Washer 1-1/4 x 5/8 x 3/16		3
38	5146	10mm Ball Stud	1	F478	5/16-18 x 3-1/4 Hex Bolt		4
39	2240-7	Blade Drive Pulley (3.6) W/Shield	3	F551	5/16-18 Flange Top Lock Nut		4
40	7245-2	Idler Pulley	2	F569	1/4-20 Flange Top Lock Nut		10
41	5245-1	Idler Pulley	1	F571	5/16-18 x 7/8 Carriage Bolt		4
42	5245-9	Idler Mount	1	* Service Part Only			
43	2731-6	Blade Drive Belt (126K)	1				
44	2265	Bearing (20mm)	1				
45	2245-2	Idler Pulley	1				

DS61 DECK ASSEMBLY



Refer to LUBRICATION POINTS, Page 56.

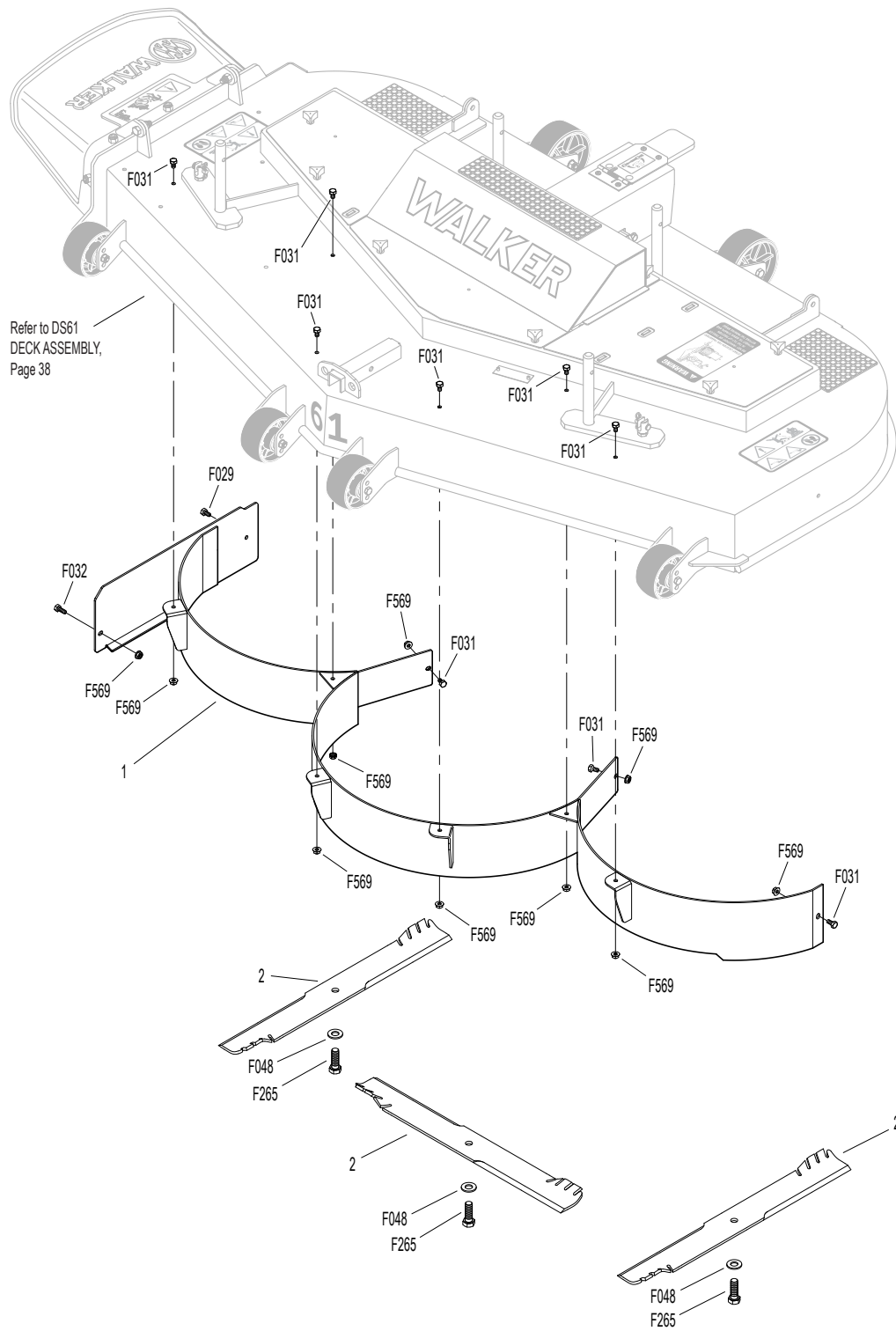
† Refer to FASTENER LOCTITE® APPLICATION & TORQUE INSTRUCTIONS, Page 60.

Effective Date 04-28-20
Use only genuine Walker® replacement parts.

DS61 MULCHING KIT

ITEM NO.	PART NO.	DESCRIPTION	NO. REQ'D	ITEM NO.	PART NO.	DESCRIPTION	NO. REQ'D
Kit 2692-1 Mulching Kit (For DS61 Deck Assembly) Includes Items # 1, 2, F029, F031, F569 and instructions. May be ordered as a kit for dealer installation. Contact your Walker dealer. Refer also to DS61 DECK ASSEMBLY , page 38.				Fasteners			
1	2692	Mulch Baffle	1		F029	1/4-20 x 1/2 Hex Bolt	1
2	7705-38	Blade, 21" Mulch, DS61 Flat	3		F031	1/4-20 x 5/8 Hex Bolt	9
					F032	1/4-20 x 3/4 Hex Bolt	1
					F048	1/2 SAE Washer	3
					F265	1/2-20 x 1-1/2 Hex Bolt	3
					F569	1/4-20 Flange Top Lock Nut	10

DS61 MULCHING KIT



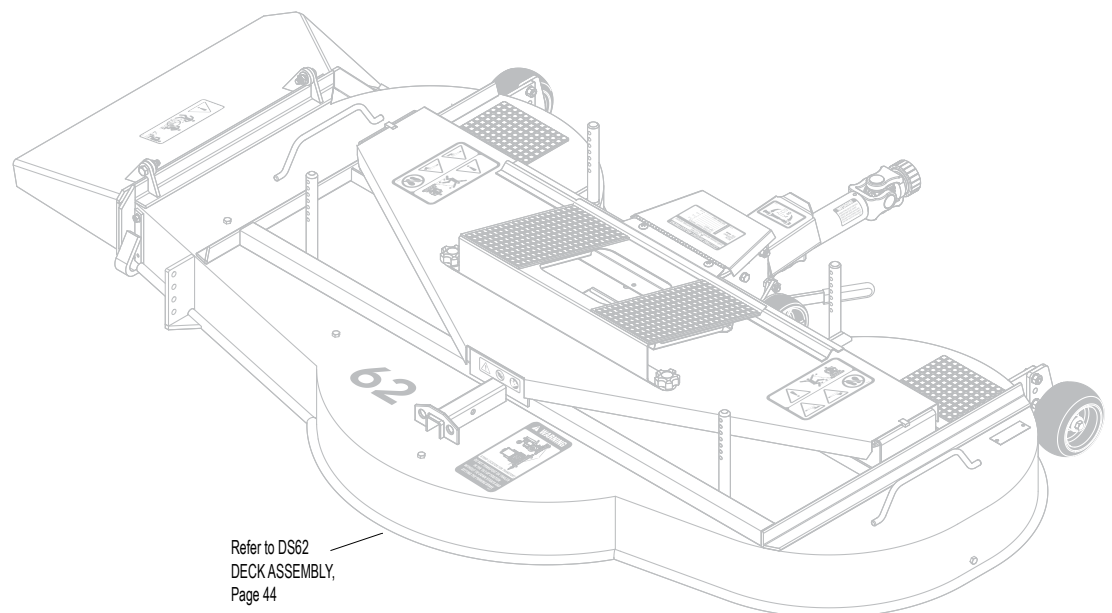
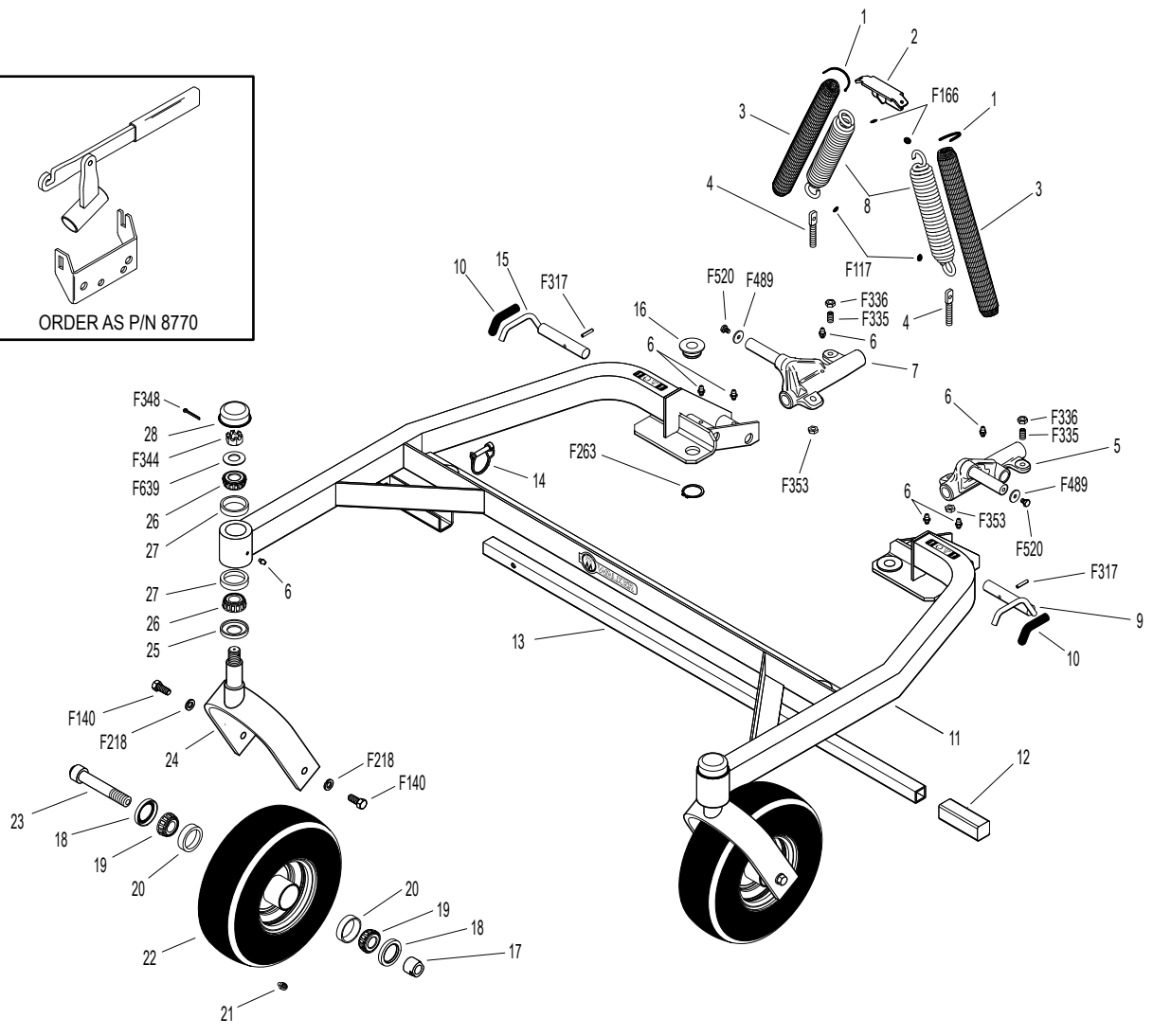
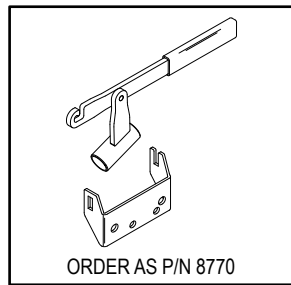
DS62 COMPLETE CARRIER FRAME ASSEMBLY

ITEM NO.	PART NO.	DESCRIPTION	NO. REQ'D	ITEM NO.	PART NO.	DESCRIPTION	NO. REQ'D
Spring and Pivot Mount Components				Caster Wheel Components			
1	5975-3	Cable Tie (50# x 7")	4	17	8766	Axle Nut (3/4-16)	2
2	5744-1	Spring Clip Bracket	1	18	8768-2	Seal, Reverse Lip	4
3	5743-1	Spring Cover	2	19	8037	Bearing Cone (3/4 ID)	4
4	5743-4	Eyebolt (3/8-16 x 2-3/4)	2	20	8037-2	Bearing Race	4
5	8667-3	Pivot Mount Assembly, LH/Adj. (Includes Items # 6, F353, F489 & F520)	*	21	5830-3	Grease Fitting (45 Degree)	2
6	5830	Grease Fitting	8	22	8768-7	Caster Wheel, Pneumatic (11 x 4.00-5) (Includes Items # 20 & 21)	2
7	8667-4	Pivot Mount Assembly, RH/Adj. (Includes Items # 6, F353, F489 & F520)	*		8768-3	Tire, Pneumatic (11 x 4.00-5)	*
8	5743-6	Extension Spring, Green (1-1/2 x 7-3/4) (Includes Items # 1, F117 & F166)	2		8768-5	Caster Wheel (5 x 3)	*
Carrier Frame Components				23	8767	Axle, Caster Wheel (5-1/8)	2
9	8674-11	Lever, Deck Lock, LH	1	24	8765-11	Caster Wheel Fork	2
10	7406-1	Handle Grip (Red)	2	25	8769-7	Seal	2
11	8911-12	62 SD Carrier Frame (Includes Item # 27)	1	26	8769-6	Bearing Cone (1" ID)	4
	8911-10	62 SD Carrier Frame, With Pivots (Includes Items # 5, 7, 9, 10, 15, 27, F317, F335 & F336)	*	27	8769-5	Bearing Cup (2 x 1-5/8)	4
12	5850-5	Handle Grip (1 x 1 x 3-3/4)	1	28	8769-8	Dust Cap, Deck Caster	2
13	8911-25	Tilt Bar With Grip (42-1/2) (Includes Item # 12)	1	Fasteners			
14	7775-5	Lock Pin (5/16 x 1-5/8)	1		F117	Retainer Ring	2
15	8674-10	Lever, Deck Lock, RH	1		F140	7/16-14 x 1 Hex Bolt	4
16	8740	Deck Pin Bushing (3/4 ID)	4		F166	Retainer Ring	2
					F218	7/16 Split Lock Washer	4
					F263	1-1/4 External Snap Ring	4
					F317	3/16 x 1 Split Spring Pin	2
					F335	3/8-16 x 7/8 Set Screw, SS	2
					F336	3/8-16 Jam Nut	2
					F344	3/4-16 Slotted Hex Nut	2
					F348	1/8 x 1-1/2 Cotter Pin	2
					F353	3/8-16 ESNA LP Nut	2
					F489	Washer 1/4 x 7/8 x .090	2
					F520	1/4-28 x 3/8 Hex Bolt	2
					F639	Belleville Washer (1.5 x .755 x .072)	2

* Service Part Only

NOTE: The E-Z Pin Puller P/N 8770 can be ordered to assist removing and installing height adjustment hitch pins on larger decks. This item stows on tractor when not in use.

DS62 COMPLETE CARRIER FRAME ASSEMBLY



Refer to DS62
DECK ASSEMBLY,
Page 44

Refer to LUBRICATION POINTS, Page 56.

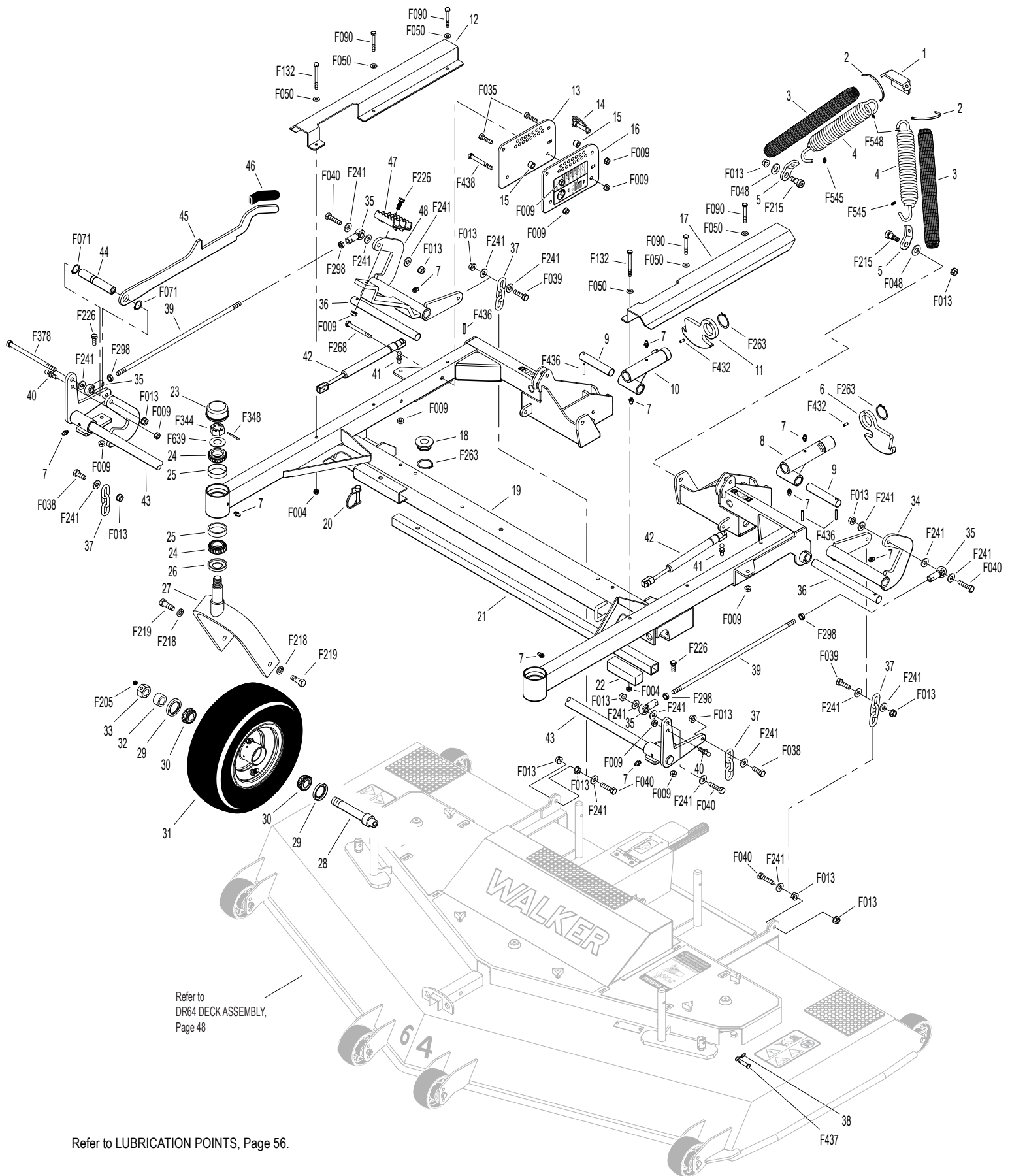
DS62 DECK ASSEMBLY

ITEM NO.	PART NO.	DESCRIPTION	NO. REQ'D	ITEM NO.	PART NO.	DESCRIPTION	NO. REQ'D	
Blade Drive Components				40	8745-30	Axle Spacer Tube	3	
1	8789-5	Pulley Guard	1	41	6715-1	Roller Wheel (5")	3	
2	8786-15	Footrest Assembly (Includes Item # 18)	1	42	NS	Deck Serial Number Plate	1	
3	8754-3	Edge Molding	2	43	8910-11	62 SD Deck Housing (Includes Items # 35 & 38)	1	
4	8785-5	62 SD Cover Plate (Includes Items # 3 & F354)	1	44	8792-10	Baffle, DSD62	1	
5	8245	Idler Pulley (6")	3	45	8052-2	Blade Spindle	3	
6	8240	Blade Drive Pulley (4-1/2)	3	46	5705-3	Blade, 22" (RH Rotation)	3	
7	8762-1	Dampening Spring (Gas)	1		5705-13	62 SD Blade Set	*	
8	5146	10mm Ball Stud	2	47	8728	Machine Bushing (1/2 x 1-1/2)	3	
9	8373-3	Idler Arm (2-Hole)	1	48	8707	52/62 SD Skid Bar	1	
10	5830	Grease Fitting	2	49	8709	52/62 SD Discharge Shield	1	
11	8374-1	Idler Arm Guide	1	50	8670-10	Tilt-Up Hook	1	
12	7201-3	Fiberglide Bearing	2	Fasteners				
13	7201-4	Inner Race (1-1/2)	1		F004	1/4-20 Keps Nut	11	
14	5841	Retainer Washer (3/8 x 1-1/4)	1		F009	5/16-18 Whiz Locknut	3	
15	8731	Blade Drive Belt (23VX1180)	1		F012	3/8-16 Keps Nut	11	
16	6240-2	Drive Pulley (4-1/2 / 3V) (Includes Items # F114 & F277)	1		F013	3/8-16 Whiz Locknut	2	
17	8787	Deck Cover Knob	3		F014	3/8-16 ESNA Nut	3	
18	8786-10	Rubber Mat (6 x 10-1/2)	2		F020	5/16-18 ESNA Nut	2	
Gearbox and Dolly Wheel Components						F023	10-24 ESNA Nut	2
19	6206-1	Air Vent Valve	1		F029	1/4-20 x 1/2 Hex Bolt	5	
20	8745-25	Dolly Wheel / PTO Guard Assembly (Includes Items # 23, 24, 26, 29, 30, 33, F012, F013, F046, F052, F168, F226, F339 & F355)	*		F032	1/4-20 x 3/4 Hex Bolt	2	
21	8285-2	U-Joint Shaft Assy, T-Scope (Includes Items # 22, F076 & F277)	1		F034	5/16-18 x 3/4 Hex Bolt	1	
22	5830-3	Grease Fitting (45 Degree)	2		F038	3/8-16 x 1 Hex Bolt	6	
23	5103-4	Pivot Bushing (3/8 ID)	2		F039	3/8-16 x 1-1/4 Hex Bolt	2	
24	8788	Rubber Bumper (Self-Adhesive Mount)	1		F041	3/8-16 x 1-3/4 Hex Bolt	3	
25	8745-14	Retract Lever	1		F046	3/8-16 x 3-1/2 Hex Bolt	4	
26	5850-3	Handle Grip, Foam (3-1/4)	1		F051	3/8 SAE Washer	9	
27	8745-12	Actuator Link	1		F052	5/16 External Star Lock Washer	2	
28	8745-13	Dolly Wheel Mount (Includes Item # 10)	1		F059	3/8 Wave Spring Washer	2	
29	6715	Roller Wheel (3-7/8)	1		F068	1/8 x 1 Cotter Pin	1	
30	8745-15	Axle Spacer Tube	1		F076	3/8-16 x 5/8 SQH Set Screw	*	
31	5229	Extension Spring (1/2 x 2-1/4)	1		F108	3/8-16 x 2 Hex Bolt	1	
32	8745-20	Mount Bracket (Includes Items # 24, F052, F068 & F339)	1		F114	5/16-18 x 5/8 SQH Set Screw	2	
33	8745-40	PTO Cover Plate	1		F134	AN960816L Washer	1	
34	8051-11	Right Angle Gearbox (Includes Item # 19)	1		F168	5/16 Split Lock Washer	8	
Deck Housing Components						F206	#2 x 3/16 Drive Pin	2
35	8790	Rubber Cushion Strip	3		F226	5/16-18 x 7/8 Hex Bolt	8	
36	8727	Washer Shim (13/16 x 1/4)	4		F241	.375 x .875 x .10 Washer	8	
37	8775	Hitch Pin (#219)	4		F246	1/4-20 x 1/2 PTHMS	2	
38	8735-10	Rubber Mat (5 x 6)	2		F252	10-24 x 3/4 PFHMS	2	
39	8720-30	Anti-Scalp Wheel Mount	3		F265	1/2-20 x 1-1/2 Hex Bolt	3	
					F276	5/8-11 Jam Nut	3	
					F277	3/16 x 5/8 Woodruff Key (#605)	5	
					F339	5/16-18 x 3/4 Self-Tapping Bolt	2	
					F354	5/16 Knurled Thread Insert	2	
					F355	3/8-16 x 4 Hex Bolt	1	
					F356	1/4-20 x 5/8 PTHMS, SS	2	
					F458	Washer 1-1/4 x 5/8 x 3/16	3	
				*	Service Part Only			

DR64 COMPLETE CARRIER FRAME ASSEMBLY

ITEM NO.	PART NO.	DESCRIPTION	NO. REQ'D	ITEM NO.	PART NO.	DESCRIPTION	NO. REQ'D
Spring and Pivot Mount Components				36	2722-3	Pivot Shaft	2
1	2744-1	Spring Clip Bracket	1	37	2655	Lift Chain	4
2	5975-7	Cable Tie (50# x 11")	4	38	4407-4	Bow Tie Cotter Pin	2
3	5743-12	Spring Cover	2	39	2215-4	Height Adjustment Rod	2
4	5743-13	Extension Spring (Includes Items # 3, F545 & F548)	2	40	5146-1	10mm Ball Stud x 5/8	2
5	2723-10	Counter Weight Spring Mount	2	41	5146	10mm Ball Stud	2
6	2723-19	Locking Arm, LH (Includes Item # F432)	1	42	2215	Gas Spring Assembly	2
7	5830	Grease Fitting	10	43	2721-4	Lifting Arm Assembly (Includes Item # 7)	1
8	2667-1	Pivot Mount, LH (Includes Item # 7)	1	44	2721-2	Lifting Cross Tube	1
9	2723-4	Pivot Shaft	2	45	2723-3	Height Adjustment Arm (Includes Item # 46)	1
10	2667-2	Pivot Mount, RH (Includes Item # 7)	1	46	5850-3	Handle Grip, Foam (3-1/4)	1
11	2723-15	Locking Arm, RH (Includes Item # F432)	1	47	2722-7	Foot Pedal Pad	1
				48	2722-2	Deck Height Adjustment Trigger (Includes Item # 7)	1
Carrier Frame Components				Fasteners			
12	2215-2	Gas Spring Cover, RH	1	F004	1/4-20 Keps Nut		6
13	2723-2	Outer Height Adjustment Plate	1	F009	5/16-18 Whiz Locknut		13
14	7775-9	Wire Lock Pin (5/16 x 1-3/8)	1	F013	3/8-16 Whiz Locknut		14
15	2720-3	Height Adjustment Spacer	4	F035	5/16-18 x 1-1/4 Hex Bolt		2
16	2723-1	Inner Height Adjustment Plate	1	F038	3/8-16 x 1 Hex Bolt		2
17	2215-3	Gas Spring Cover, LH	1	F039	3/8-16 x 1-1/4 Hex Bolt		2
18	8740	Deck Pin Bushing (3/4 ID)	4	F040	3/8-16 x 1-1/2 Hex Bolt		5
19	2911-6	DR64 Carrier Frame (Includes Items # 25)	1	F048	1/2 SAE Washer		2
20	7775-5	Lock Pin (5/16 x 1-5/8)	1	F050	1/4 SAE Washer		6
21	8811-25	Tilt Bar W/Grip (35") (Includes Item # 22)	1	F071	3/4 External Snap Ring		2
22	5850-5	Handle Grip (1 x 1 x 3-3/4)	1	F090	1/4-20 x 2-1/2 Hex Bolt		4
Caster Wheel Components				F132	1/4-20 x 2-3/4 Hex Bolt		2
23	8769-8	Dust Cap, Deck Caster	2	F205	5/16-18 x 1/4 Set Screw (Knurl Point)		2
24	8769-6	Bearing Cone (1" ID)	4	F215	3/8-16 x 1/2 x 1/2 S Bolt		2
25	8769-5	Bearing Cup (2 x 1-5/8)	4	F218	7/16 Split Lock Washer		4
26	8769-7	Seal	2	F219	7/16-14 x 1-1/4 Hex Bolt		4
27	2770	Caster Wheel Fork	2	F226	5/16-18 x 7/8 Hex Bolt		5
28	7038	Wheel Axle (3/4 x 5-9/16)	2	F241	.375 x .875 x .10 Washer		18
29	8768-2	Seal, Reverse Lip	4	F263	1-1/4 External Snap Ring		6
30	8037	Bearing Cone (3/4 ID)	4	F268	5/16-18 x 3 Hex Bolt		1
31	8035-1	Wheel & Tire (13 x 4.5-6) (W/Bearing Race)	2	F298	3/8-24 Jam Nut		4
32	8038-1	Spacer, Wheel Axle (.750 ID x 1.125 OD)	2	F344	3/4-16 Slotted Hex Nut		2
33	8039	Nut, Wheel Axle	2	F348	1/8 x 1-1/2 Cotter Pin		2
Deck Lift Components				F378	3/8-16 x 6 Hex Bolt		1
34	2722-1	Deck Height Adjustment, LH (Includes Item # 7)	1	F432	3/16 x 1/2 Split Spring Pin		2
35	2214-10	Rod End, Female (3/8-24)	4	F436	3/16 x 1-1/8 Roll Pin		4
				F437	Clevis Pin (1/4 x 1)		2
				F438	5/16-18 x 2-3/4 Hex Bolt		1
				F545	Retention Washer (.250 Wire)		2
				F548	Retention Ring (.235 Wire)		2
				F639	Belleville Washer (1.5 x .755 x .072)		2

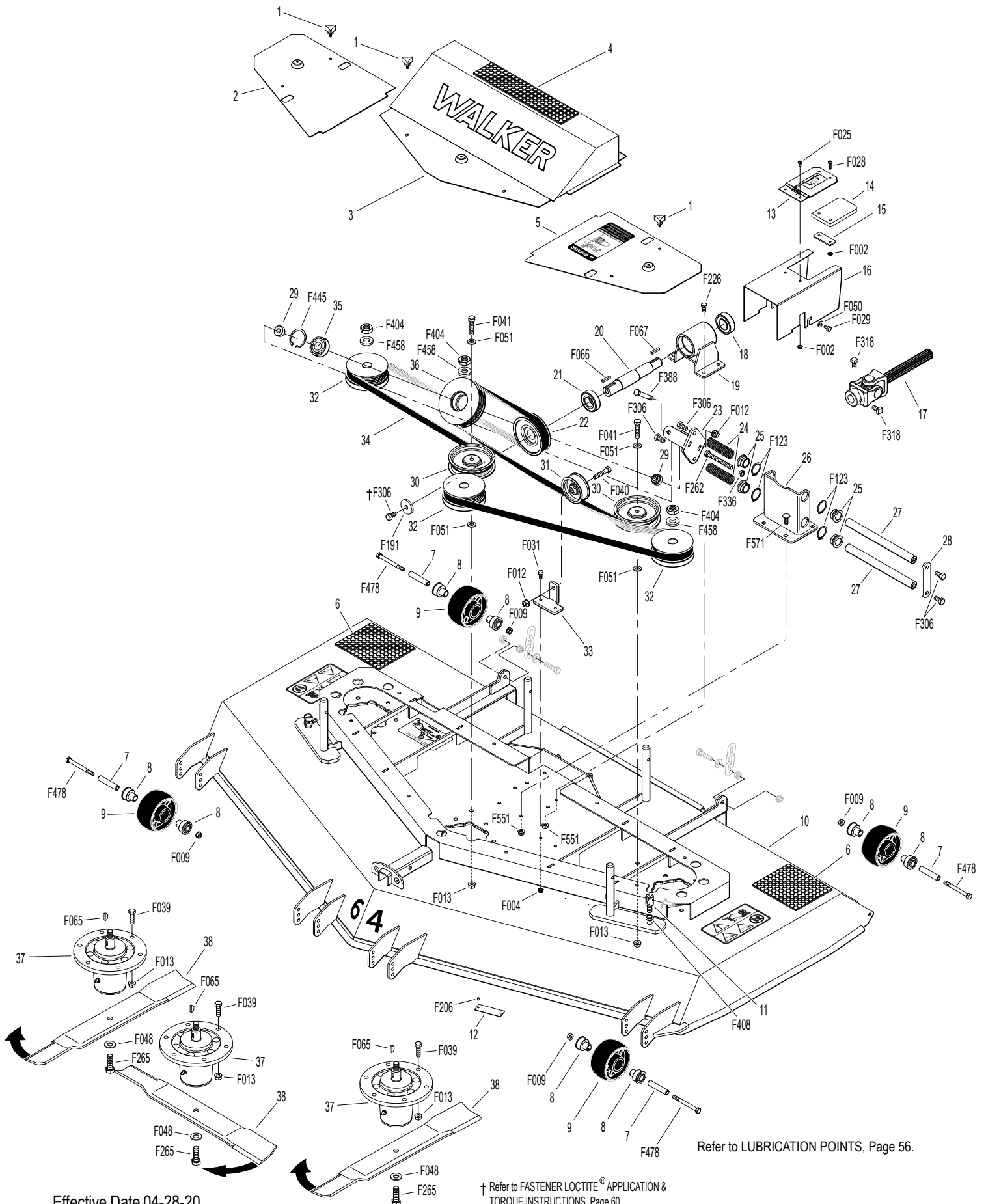
DR64 COMPLETE CARRIER FRAME ASSEMBLY



DR64 DECK ASSEMBLY

ITEM NO.	PART NO.	DESCRIPTION	NO. REQ'D	ITEM NO.	PART NO.	DESCRIPTION	NO. REQ'D
Deck Housing Components				Blade Spindle Components			
1	2703-5	Knob, 10-24 x 1/2	8	37	2052-1	Blade Spindle	3
2	2723-18	Spindle Cover, RH	1	38	7705-28	Blade 22.166"	3
3	2786-13	Belt Cover (Includes Item # 4)	1	Fasteners			
4	8735-8	Rubber Mat (2-1/2 x 12)	1	F002	10-24 Keps Nut		4
5	2723-17	Spindle Cover, LH	1	F004	1/4-20 Keps Nut		2
6	8735-10	Rubber Mat (5 x 6)	2	F009	5/16-18 Whiz Locknut		6
7	6715-4	Axle Spacer Tube	6	F012	3/8-16 Keps Nut		2
8	6715-3	Roller Wheel Bearing	12	F013	3/8-16 Whiz Locknut		20
9	6715-2	Roller Wheel	6	F025	10-24 x 3/8 PPHMS		2
10	2910-8	DR64 Deck Housing (Includes Item # 6)	1	F028	10-24 x 3/4 PPHMS		2
11	2720-5	Deck Height Adjustment Clevis	2	F029	1/4-20 x 1/2 Hex Bolt		2
12	NS	Deck Serial Number Plate	1	F031	1/4-20 x 5/8 Hex Bolt		2
Blade Drive Components				F039	3/8-16 x 1-1/4 Hex Bolt		18
13	2618-1	Cover, PTO Shaft Guard	1	F040	3/8-16 x 1-1/2 Hex Bolt		1
14	2620-3	Rubber Flap	1	F041	3/8-16 x 1-3/4 Hex Bolt		2
15	2620-2	Backing Plate	1	F048	1/2 SAE Washer		3
16	2619-3	PTO Shaft Guard	1	F050	1/4 SAE Washer		2
	2618-4	PTO Shaft Guard Assembly (Includes Items # 13-16, F002, F025 & F028)	*	F051	3/8 SAE Washer		4
17	8285-4	U-Joint Shaft Assembly, Spline (Includes Item # F318)	1	F065	3/16 x 3/4 Woodruff Key (#606)		3
18	5270	Bearing W/Collar (1")	1	F066	1/4 x 1/4 x 3/4 Key		1
19	2726-2	PTO Bearing Housing	1	F067	3/16 x 3/16 x 1 Key		1
20	2726-5	PTO Drive Shaft	1	F123	1" External Snap Ring		4
21	5270-1	Ball Bearing	1	F191	3/8 x 1-1/2 x 3/16 Washer		1
22	2240-11	Drive Pulley (3-3/4)	1	F206	#2 x 3/16 Drive Pin		2
23	2724-14	Idler Mount Weldment	1	F226	5/16-18 x 7/8 Hex Bolt		4
24	5195-2	Compression Spring (1 x 6-3/8) (Black)	2	F262	3/8-16 x 4 Hex Bolt All Thread		1
25	2724-17	Guide Rod Bushing	4	F265	1/2-20 x 1-1/2 Hex Bolt		3
26	2725-8	Mount Base	1	F306	3/8-16 x 3/4 Hex Bolt		5
27	2723-16	Guide Rod (8-5/8) Clear Zinc	2	F318	3/8-16 x 3/4 SQH Set Screw		2
28	2724-19	Guide Rod Stop	1	F336	3/8-16 Jam Nut		1
29	2245-6	Idler Pulley Shaft	2	F388	3/8-16 x 2-1/2 Hex Bolt		1
30	7245-2	Idler Pulley	2	F404	5/8-18 Jam Nut		3
31	5245-1	Idler Pulley	1	F408	7/16-20 Jam Nut		2
32	2240-9	Blade Drive Pulley (3.8) W/Shield	3	F445	1-7/8 Internal Snap Ring		1
33	5245-9	Idler Mount	1	F458	Washer 1-1/4 x 5/8 x 3/16		3
34	2731-5	Blade Drive Belt (1340 L4-K)	1	F478	5/16-18 x 3-1/4 Hex Bolt		6
35	2265	Bearing (20mm)	1	F551	5/16-18 Flange Top Lock Nut		8
36	2245-2	Idler Pulley	1	F571	5/16-18 x 7/8 Carriage Bolt		4
				* Service Part Only			

DR64 DECK ASSEMBLY



Refer to LUBRICATION POINTS, Page 56.

† Refer to FASTENER LOCTITE® APPLICATION & TORQUE INSTRUCTIONS, Page 60.

Effective Date 04-28-20
Use only genuine Walker® replacement parts.

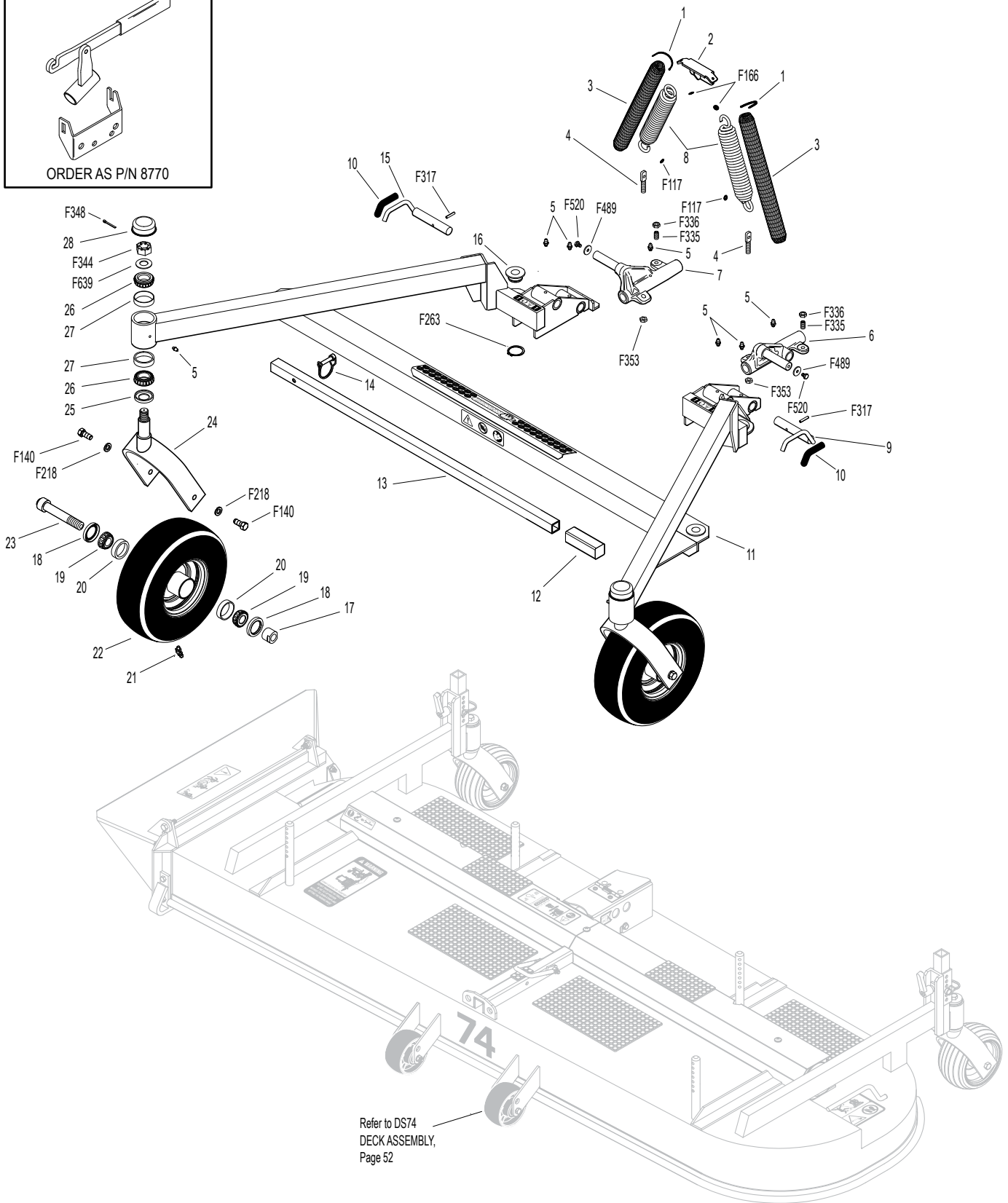
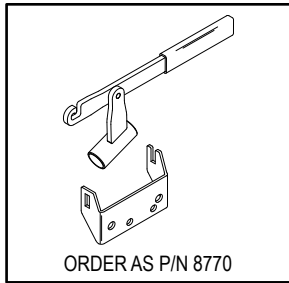
DS74 COMPLETE CARRIER FRAME ASSEMBLY

ITEM NO.	PART NO.	DESCRIPTION	NO. REQ'D	ITEM NO.	PART NO.	DESCRIPTION	NO. REQ'D
Spring and Pivot Mount Components				Caster Wheel Components			
1	5975-3	Cable Tie (50# x 7")	4	17	8766	Axle Nut (3/4-16)	2
2	5744-1	Spring Clip Bracket	1	18	8768-2	Seal, Reverse Lip	4
3	5743-1	Spring Cover	2	19	8037	Bearing Cone (3/4 ID)	4
4	5743-3	Eyebolt (3/8-16 x 2)	2	20	8037-2	Bearing Race	4
5	5830	Grease Fitting	8	21	5830-3	Grease Fitting (45 Degree)	2
6	8667-3	Pivot Mount Assembly, LH/Adj. (Includes Items # 5, F353, F489 & F520)	*	22	8768-7	Caster Wheel, Pneumatic (11 x 4.00-5) (Includes Items # 20 & 21)	2
7	8667-4	Pivot Mount Assembly, RH/Adj. (Includes Items # 5, F353, F489 & F520)	*		8768-3	Tire, Pneumatic (11 x 4.00-5)	*
8	5743-6	Extension Spring, Green (1-1/2 x 7-3/4) (Includes Items # 1, F117 & F166)	2		8768-5	Caster Wheel (5 x 3)	*
Carrier Frame Components				23	8767	Axle, Caster Wheel (5-1/8)	2
9	8674-11	Lever, Deck Lock, LH	1	24	8765-11	Caster Wheel Fork	2
10	7406-1	Handle Grip (Red)	2	25	8769-7	Seal	2
11	7803-1	74 SD Carrier Frame (Includes Item # 27)	1	26	8769-6	Bearing Cone (1" ID)	4
12	5850-5	Handle Grip (1 x 1 x 3-3/4)	1	27	8769-5	Bearing Cup (2 x 1-5/8)	4
13	8811-25	Tilt Bar With Grip (35") (Includes Item # 12)	1	28	8769-8	Dust Cap, Deck Caster	2
14	7775-5	Lock Pin (5/16 x 1-5/8)	1	Fasteners			
15	8674-10	Lever, Deck Lock, RH	1		F117	Retainer Ring	2
16	8740	Deck Pin Bushing (3/4 ID)	4		F140	7/16-14 x 1 Hex Bolt	4
					F166	Retainer Ring	2
					F218	7/16 Split Lock Washer	4
					F263	1-1/4 External Snap Ring	4
					F317	3/16 x 1 Split Spring Pin	2
					F335	3/8-16 x 7/8 Set Screw, SS	2
					F336	3/8-16 Jam Nut	2
					F344	3/4-16 Slotted Hex Nut	2
					F348	1/8 x 1-1/2 Cotter Pin	2
					F353	3/8-16 ESNA LP Nut	2
					F489	Washer 1/4 x 7/8 x .090	2
					F520	1/4-28 x 3/8 Hex Bolt	2
					F639	Belleville Washer (1.5 x .755 x .072)	2

* Service Part Only

NOTE: The E-Z Pin Puller P/N 8770 can be ordered to assist removing and installing height adjustment hitch pins on larger decks. This item stows on tractor when not in use.

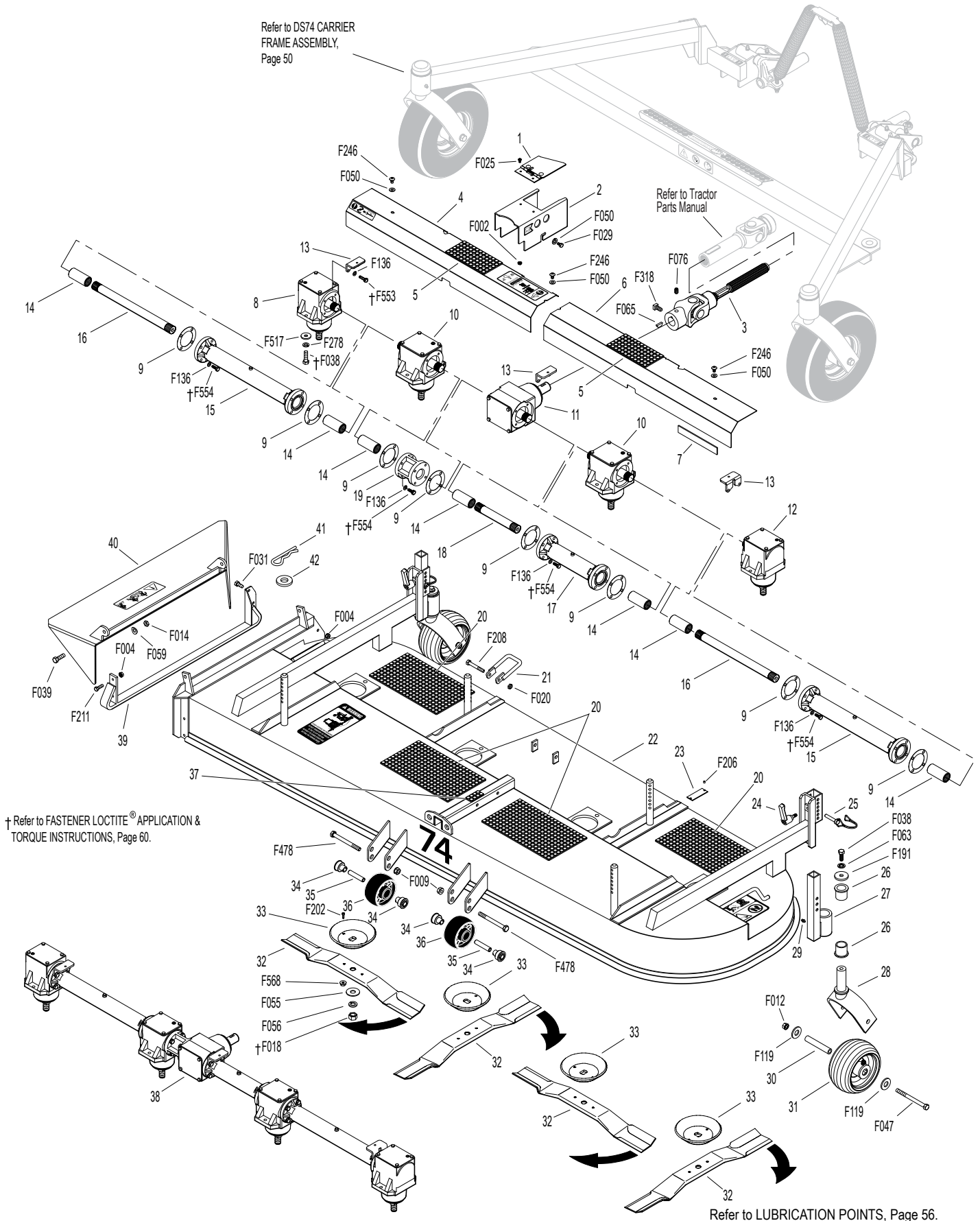
DS74 COMPLETE CARRIER FRAME ASSEMBLY



DS74 DECK ASSEMBLY

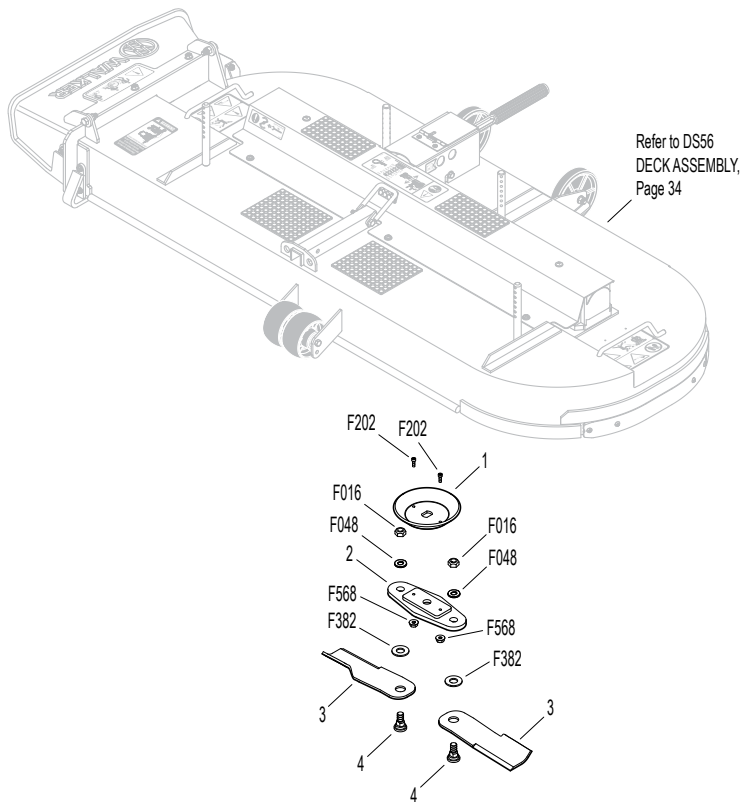
ITEM NO.	PART NO.	DESCRIPTION	NO. REQ'D	ITEM NO.	PART NO.	DESCRIPTION	NO. REQ'D
Gearbox and Drive Components				35	6715-4	Axle Spacer Tube	2
1	8618-6	Cover, PTO Shaft Guard	1	36	6715-2	Roller Wheel	2
2	8619-7	PTO Shaft Guard	1	37	8788-1	Rubber Mat (1 x 2)	1
	8618-7	PTO Shaft Guard Assembly (Includes Items # 1, 2, F002 & F025)	*	38	6711-16	74 Gearbox and Tube Assembly, HD (Includes Items # 4-7, 8-19, F553 & F554)	1
3	5285-5	U-Joint Shaft Assembly, Spline (Keyed) (Includes Items # F065, F076 & F318)	1	39	7807-1	74 SD Skid Bar	1
4	7865-6	74 SD Gearbox Cover, RH (Includes Items # 5 & 7)	1	40	7809-1	74 SD Discharge Shield	1
5	5747-10	Rubber Mat, No-Hole (3 x 6)	2	41	8775	Hitch Pin (#219)	4
6	7865-5	74 SD Gearbox Cover, LH (Includes Items # 5 & 7)	1	42	8727	Washer Shim (13/16 x 1/4)	4
7	8790	Rubber Cushion Strip	2	Fasteners			
HD Drive Components					F002	10-24 Keps Nut	2
8	5053-7	HD Gearbox (1:1.2) CW-CCW	1	F004	1/4-20 Keps Nut	4	
9	P007	Gasket, Cap (P#788030)	8	F009	5/16-18 Whiz Locknut	2	
10	5058-3	HD Tee Gearbox (1:1.2)	2	F012	3/8-16 Keps Nut	2	
11	5051-5	HD Tee Gearbox (1:1) CW-CW & CCW	1	F014	3/8-16 ESNA Nut	2	
12	5052-9	HD Gearbox (1:1.2) CCW-CCW	1	F018	5/8-18 Hex Nut	4	
13	5704-1	Gearbox Cover Support	3	F020	5/16-18 ESNA Nut	1	
14	6054	Spline Coupling	7	F025	10-24 x 3/8 PPHMS	2	
15	5069	Connector Tube (14-1/2)	2	F029	1/4-20 x 1/2 Hex Bolt	2	
16	6733-9	Connecting Shaft (12-1/8)	2	F031	1/4-20 x 5/8 Hex Bolt	2	
17	5063	Connector Tube (8-5/8)	1	F038	3/8-16 x 1 Hex Bolt	10	
18	6733-3	Connecting Shaft (6-1/4)	1	F039	3/8-16 x 1-1/4 Hex Bolt	2	
19	5060	Connector Tube (2-5/16)	1	F047	3/8-16 x 4-1/2 Hex Bolt	2	
Deck Housing Components					F050	1/4 SAE Washer	5
20	8786-10	Rubber Mat (6 x 10-1/2)	4	F055	5/8 SAE Washer	4	
21	8670-8	Tilt-Up Hook	1	F056	5/8 Split Lock Washer	4	
22	7803-3	74 SD Deck Housing (Includes Items # 20 & 37)	1	F059	3/8 Wave Spring Washer	2	
23	NS	Deck Serial Number Plate	1	F063	3/8 Int. Star Lock Washer	2	
24	7866-1	Lock Lever, Rear Caster	2	F065	3/16 x 3/4 Woodruff Key (#606)	1	
25	7775-5	Lock Pin (5/16 x 1-5/8)	2	F076	3/8-16 x 5/8 SQH Set Screw	1	
26	5683	Pivot Bearing	4	F119	Rear Caster Spacer	4	
27	7866	74 SD Rear Fork Mount (Includes Items # 26 & 29)	2	F136	AN960C416L Washer	32	
28	7870	74 SD Rear Fork	2	F191	3/8 x 1-1/2 x 3/16 Washer	2	
29	5830	Grease Fitting	2	F202	10-24 x 5/8 SHC Screw, GR5 SS	8	
30	5714-3	Axle Spacer Tube	2	F206	#2 x 3/16 Drive Pin	2	
31	7868	74 SD Caster Wheel / Rear	2	F208	5/16-18 x 2-1/4 Hex Bolt	1	
32	5705-0	Blade 20" (RH Rotation)	4	F211	1/4-20 x 7/8 Hex Bolt	2	
	5705-16	74 SD Blade Set With Hubs (Includes Items # 32, 33, F202 & F568)	*	F246	1/4-20 x 1/2 PTHMS	3	
33	5706	Blade Hub & Trash Guard	4	F278	3/8 Split Lock Washer	8	
34	6715-3	Roller Wheel Bearing	4	F318	3/8-16 x 3/4 SQH Set Screw	1	
				F478	5/16-18 x 3-1/4 Hex Bolt	2	
				F517	Washer 3/8 x 1-1/8 x 1/8	8	
				F553	1/4-20 x 1 Hex Bolt W/Loctite	6	
				F554	1/4-20 x 7/8 Hex Bolt W/Loctite	26	
				F568	10-24 Flange Top Lock Nut	8	
				* Service Part Only			

DS74 DECK ASSEMBLY



OPTIONAL BREAK-AWAY BLADES

ITEM NO.	PART NO.	DESCRIPTION	NO. REQ'D	ITEM NO.	PART NO.	DESCRIPTION	NO. REQ'D
----------	----------	-------------	-----------	----------	----------	-------------	-----------



DS42 Break-Away Blade Kit (5705-33)

1	5706	Blade Hub & Trash Guard	1
2	5706-27	Blade Hub, 42"	2
3	5705-30	Break Away Blade	4
4	5705-17	Special Bolt (1/2-13 x 1-7/16)	4

DS74 Break-Away Blade Kit (5705-34)

1	5706	Blade Hub & Trash Guard	4
2	5706-26	Blade Hub, 36, 56 & 74	4
3	5705-30	Break Away Blade	8
4	5705-17	Special Bolt (1/2-13 x 1-7/16)	8

DS48 Break-Away Blade Kit (7705-8)

1	5706	Blade Hub & Trash Guard	2
2	5706-25	Blade Hub, 48"	2
3	5705-30	Break Away Blade	4
4	5705-17	Special Bolt (1/2-13 x 1-7/16)	4

Fasteners

F016	1/2-13 Self-Locking Nut	*
F048	1/2 SAE Washer	*
F202	10-24 x 5/8 SHC Screw, GR5 SS	*
F382	Belleville Washer (.650 x 1.36)	*
F568	10-24 Flange Top Lock Nut	*

DS56 Break-Away Blade Kit (5705-32)**

1	5706	Blade Hub & Trash Guard	3
2	5706-26	Blade Hub, 36, 56 & 74	3
3	5705-30	Break Away Blade	6
4	5705-17	Special Bolt (1/2-13 x 1-7/16)	6

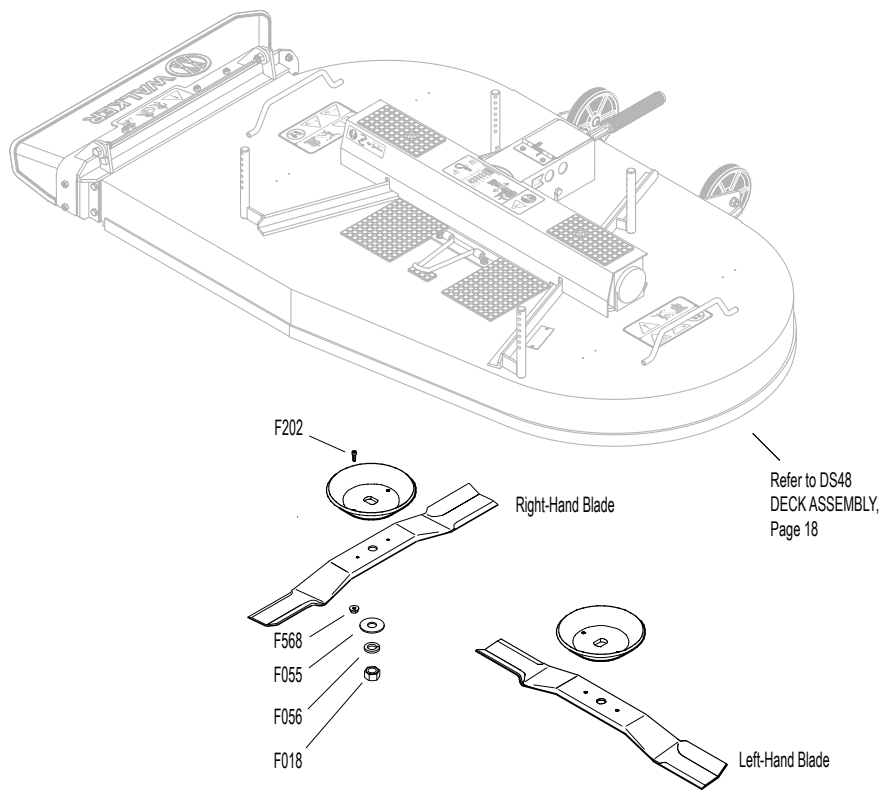
* Quantities vary

** Remove Blade Spacer (P/N 8691-8) when using Break-Away Blades on the DS56 deck.

NOTE: Optional blade kit featuring blades mounted on a break-away hub, for use in mowing applications with lots of ground and debris contact, to minimize impact and shock loading.

NOTE: Break-Away blades are designed for use on Side Discharge decks only.

BLADE USAGE CHART



TWO BLADE DECKS	RH BLADE	LH BLADE	BLADE SET
DS36	5705-36	5705-36	
DS42	5705-3	5705-3	5705-7
DS48	7705-1	7705-1	7705-5

THREE & FOUR BLADE DECKS	SINGLE BLADE	BLADE SET
DS52	5705-14	8738-7*
DS52 MULCHING UPPER BLADE	5705-15	8738-8*
DS52 MULCHING LOWER BLADE	5705-14	8738-7*
DR52	7705-14	
DS56	7705-40**	
DS61	7705-30	
DS61 MULCHING KIT	7705-38	
DS62	5705-3	5705-13*
DR64	7705-28	
DS74	5705-0	5705-16

Right hand and left hand orientated with operator on seat.

All blade sets include 5706 (Blade Hub & Trash Guard), F202 & F568 unless otherwise specified.

* Blade set consists of three (3) blades

** Flat Blade requires Blade Spacer (P/N 8691-8)

Effective Date 04-28-20

Use only genuine Walker® replacement parts.

LUBRICATION POINTS

ITEM NO.	LOCATION	LUBRICATION TYPE	NO. PLACES
----------	----------	------------------	------------

DS36, DS42, DS48 & DS56 Assemblies

1	Deck Caster Wheel Fork Pivot	Grease	2
2	Blade Drive Gearbox	Oil*	2
3	Tee Gearbox, Deck	Oil*	1
4	Universal Joint Shaft Assembly	Grease**	1
5	Pivot Assembly, Tilt-Up Deck	Grease	4
6	Deck Support Arm Socket	Grease	2

DS52 & DS62 Assemblies

1	Deck Caster Wheel Fork Pivot	Grease	2
4	Universal Joint Shaft Assembly	Grease**	2
5	Pivot Assembly, Tilt-Up Deck	Grease	4
6	Deck Support Arm Socket	Grease	2
7	Deck Caster Wheel Bearing	Grease	2
8	Idler Arm, 2-Hole	Grease	1
9	Blade Spindle	Grease	3
10	Right Angle Gearbox	Oil***	1
11	Dolly Wheel Retract Lever and Linkage	Oil	1
12	Dolly Wheel Pivot	Grease	1

ITEM NO.	LOCATION	LUBRICATION TYPE	NO. PLACES
----------	----------	------------------	------------

DS74 Assembly

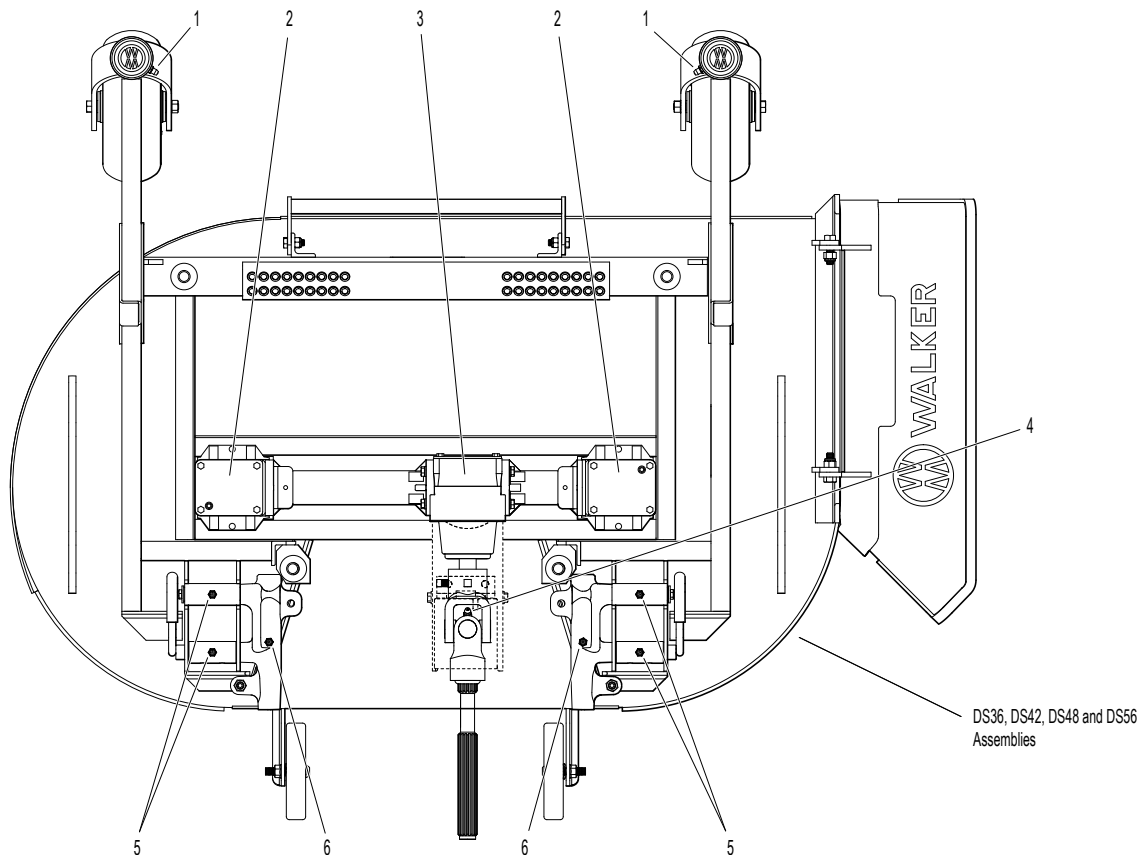
1	Deck Caster Wheel Fork Pivot	Grease	2
2	Blade Drive Gearbox	Oil*	4
3	Tee Gearbox, Deck	Oil*	1
4	Universal Joint Shaft Assembly	Grease**	1
5	Pivot Assembly, Tilt-Up Deck	Grease	4
6	Deck Support Arm Socket	Grease	2
7	Deck Caster Wheel Bearing	Grease	2
13	Rear Deck Caster Wheel Axle	Grease	2

* Gearboxes are permanently lubricated and sealed requiring no scheduled lubrication. Oil level should be checked only when an oil leak is noted.

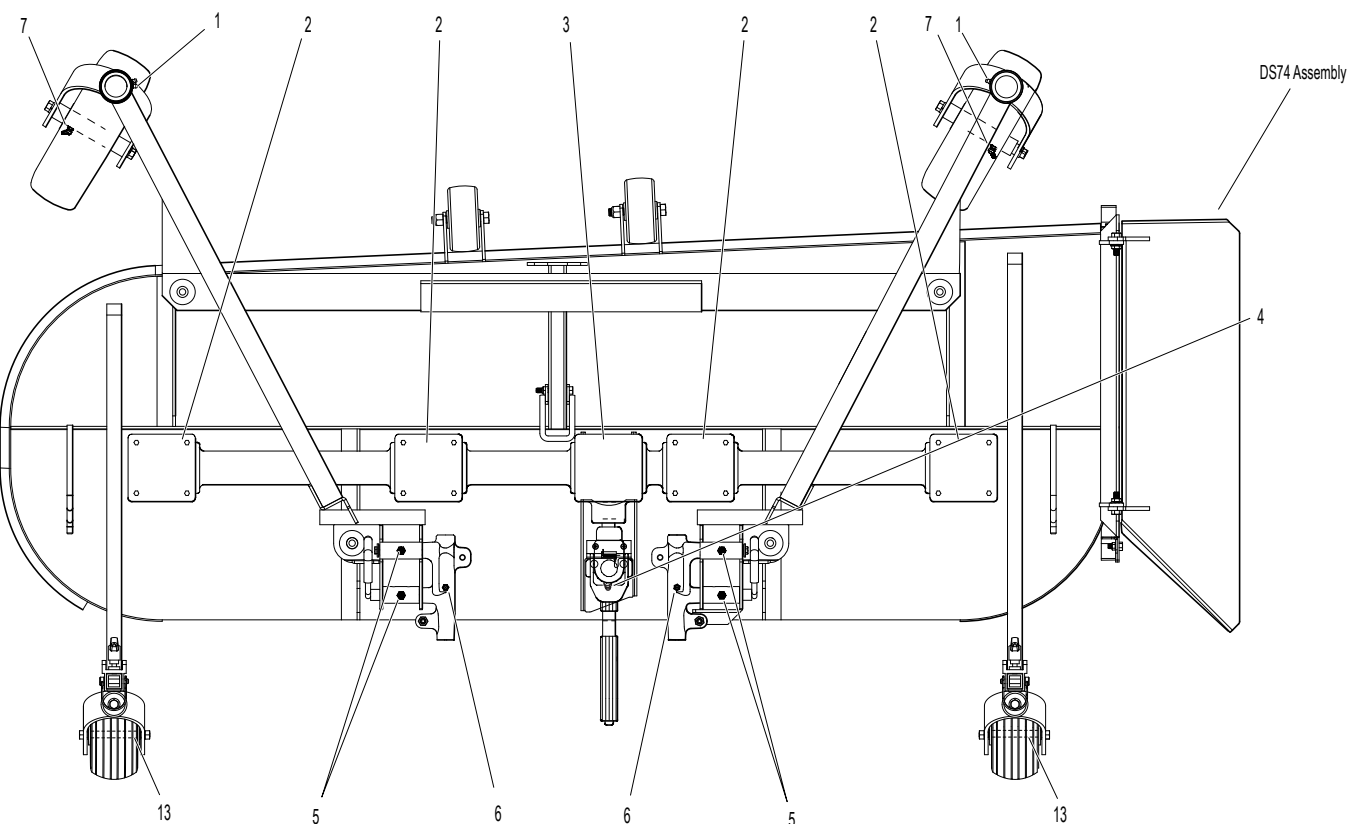
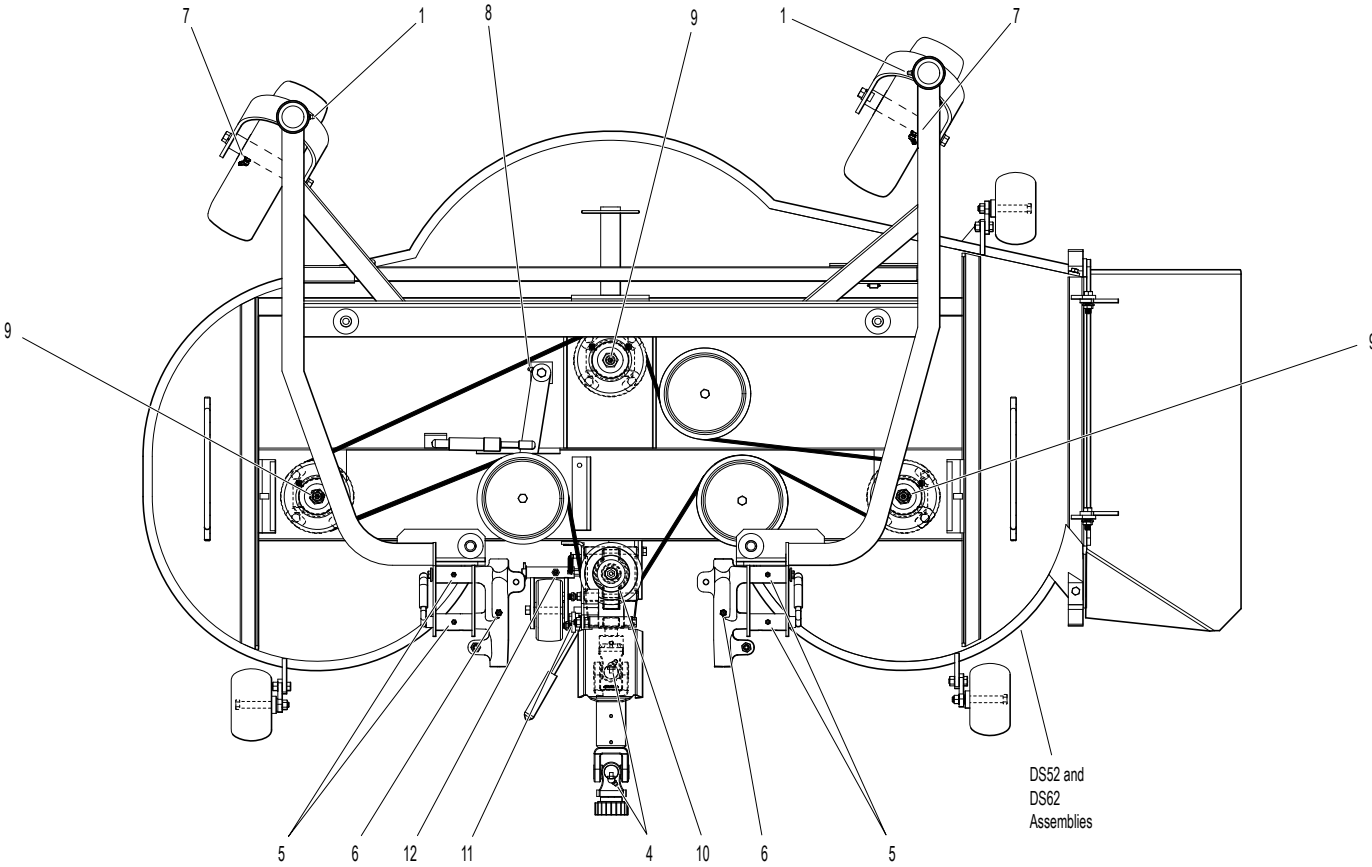
** Grease every 25 hours.

*** Check oil level every 100 hours. Refer to **OPERATOR'S MANUAL** for Lubrication Instructions.

NOTE: Exact location of some Lubrication Points may vary slightly from those shown in the illustration. Decks shown in the illustration are for reference only; for further information on location of parts not shown here, refer to the parts listings for individual Carrier Frames and Deck Assemblies.



LUBRICATION POINTS



Effective Date 04-28-20
 Use only genuine Walker® replacement parts.

LUBRICATION POINTS

ITEM NO.	LOCATION	LUBRICATION TYPE	NO. PLACES
----------	----------	------------------	------------

DR52 & DR64 Assemblies

1	Deck Caster Wheel Fork Pivot	Grease	2
2	Blade Spindle	Grease	3
3	Pivot Assembly, Tilt-Up Deck	Grease	2
4	Deck Support Arm Socket	Grease	2
5	Universal Joint Shaft Assembly	Grease*	1
6	Deck Caster Wheel Bearing	Grease	2
7	Front Deck Lift Pivot	Grease	2
8	Rear Deck Lift Pivot	Grease	2

ITEM NO.	LOCATION	LUBRICATION TYPE	NO. PLACES
----------	----------	------------------	------------

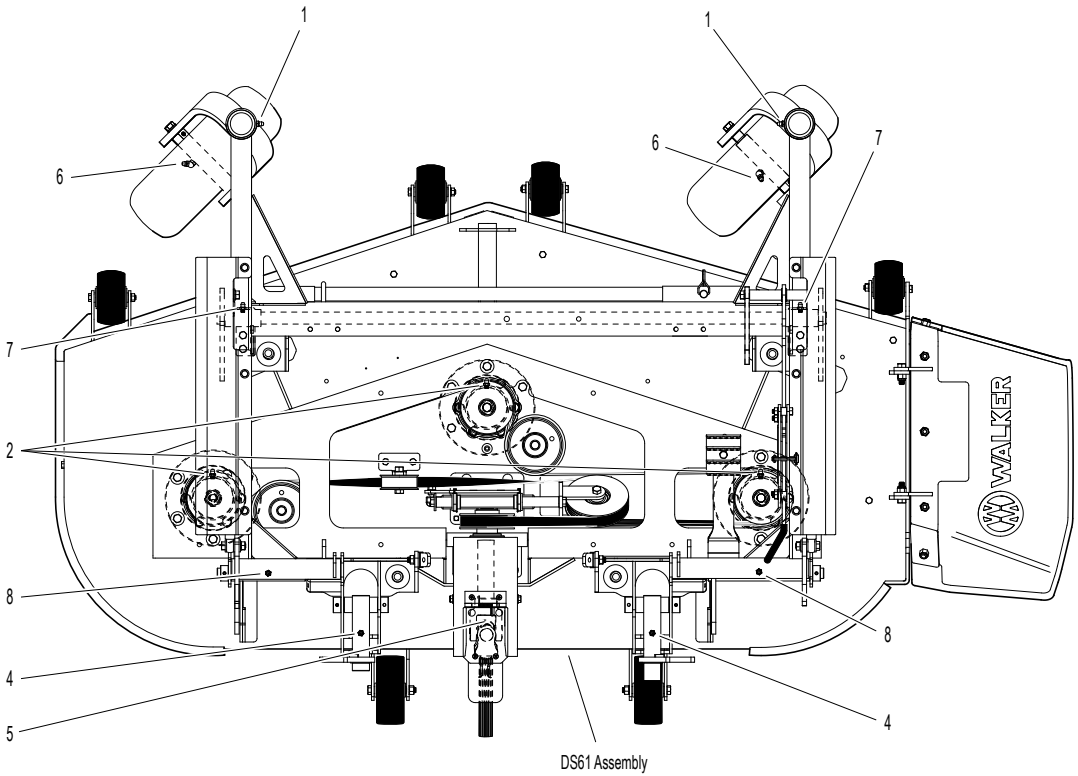
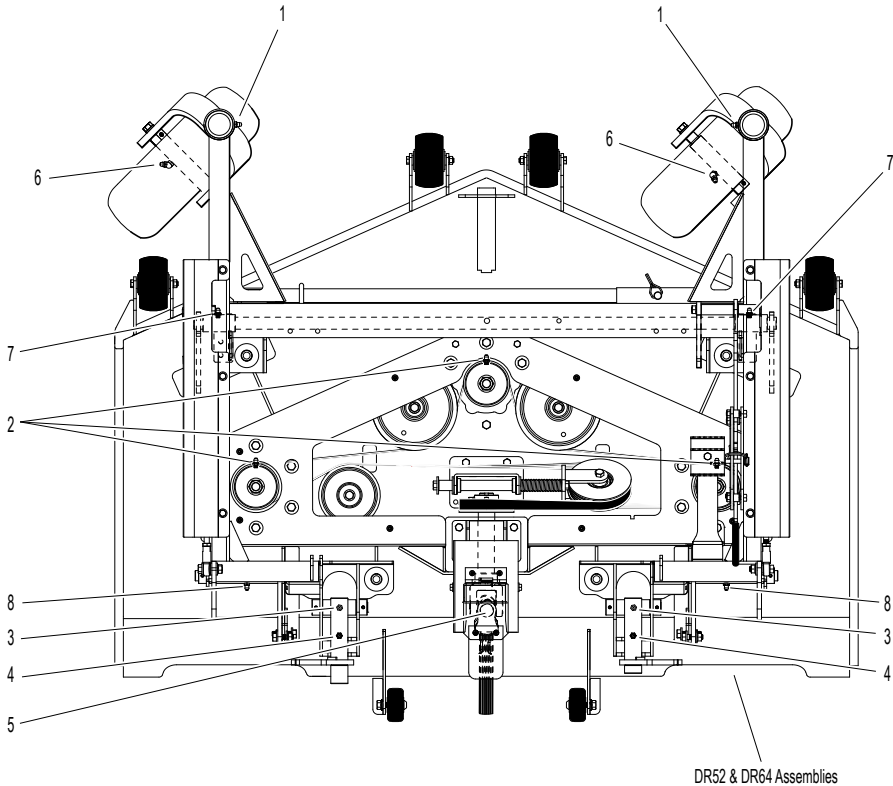
DS61 Assembly

1	Deck Caster Wheel Fork Pivot	Grease	2
2	Blade Spindle	Grease	3
4	Deck Support Arm Socket	Grease	2
5	Universal Joint Shaft Assembly	Grease*	1
6	Deck Caster Wheel Bearing	Grease	2
7	Front Deck Lift Pivot	Grease	2
8	Rear Deck Lift Pivot	Grease	2

* Grease every 25 hours.

NOTE: Exact location of some Lubrication Points may vary slightly from those shown in the illustration. Decks shown in the illustration are for reference only; for further information on location of parts not shown here, refer to the parts listings for individual Carrier Frames and Deck Assemblies.

LUBRICATION POINTS



FASTENER LOCTITE® APPLICATION & TORQUE INSTRUCTIONS

ITEM NO.	DESCRIPTION
----------	-------------

DS HD Gear Drive Assemblies

Items # 1, 2 & 3 apply to **all** HD deck models **EXCEPT DS52 and DS62**.

- Torque** P/N F553 (1/4-20 x 1 Hex Bolt W/Loctite, used on Gearbox Connector Tubes) and F554 (1/4-20 x 7/8 Hex Bolt W/Loctite, used on Gearbox Connector Tubes) to 115 lb-in. (13.0 N·m). **DO NOT** apply Loctite®. It is already applied.
- Apply** Loctite® Threadlocker # 242 (Blue) to P/N F038 (3/8-16 x 1 Hex Bolt, used on Gearbox Mounting Hardware) prior to assembly. Torque to 115 lb-in. (13.0 N·m).
- Torque** P/N F553 (1/4-20 x 1 Hex Bolt W/Loctite, used on Gearbox Connector Tubes) and F554 (1/4-20 x 7/8 Hex Bolt W/Loctite, used on Gearbox Connector Tubes) to 90 lb-in. (10.2 N·m). **DO NOT** apply Loctite®. It is already applied.

DS Deck Assemblies

Item # 4 applies to **all** deck models **EXCEPT DS52, DS56 and DS62**.

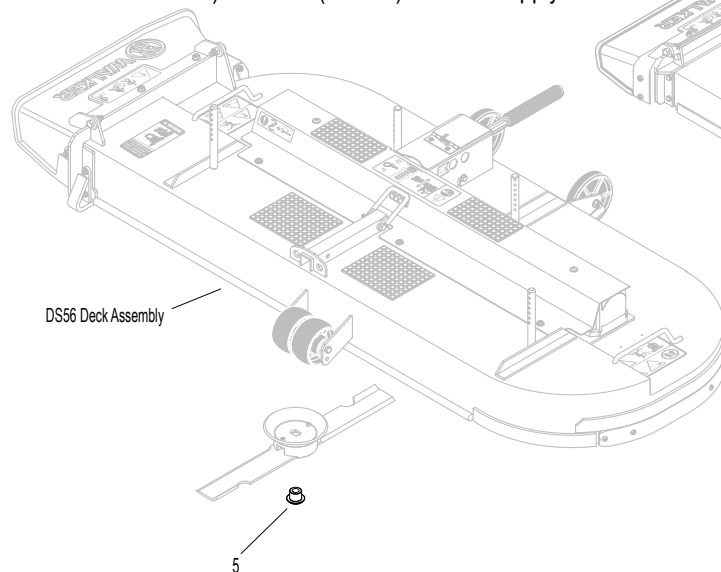
- Torque** P/N F018 (5/8-18 Hex Nut) used on underside of blades to 60 lb-ft (81.4 N·m). **DO NOT** apply Loctite®.

DS56 Deck Assembly

- Torque** P/N 8691-7 (Spacer T-Nut, used on underside of blades) to 60 lb-ft (81.4 N·m). **DO NOT** apply Loctite®.

DR52, DS61 & DR64 Deck Assemblies

- Apply** Loctite® Threadlocker # 242 (Blue) to P/N F306 (3/8-16 x 3/4 Hex Bolt, used on Drive Pulley) prior to assembly. Torque to 30.9 lb-ft (41.8 N·m).
- Torque** P/N F265 (1/2-20 x 1-1/2 Hex Bolt, used on underside of blades) to 70 lb-ft (95 N·m). **DO NOT** apply Loctite®.

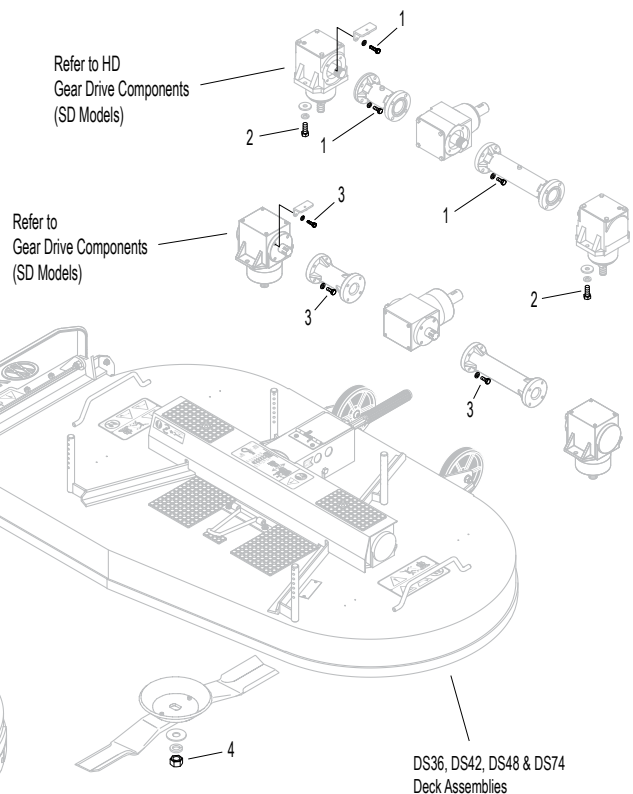


ITEM NO.	DESCRIPTION
----------	-------------

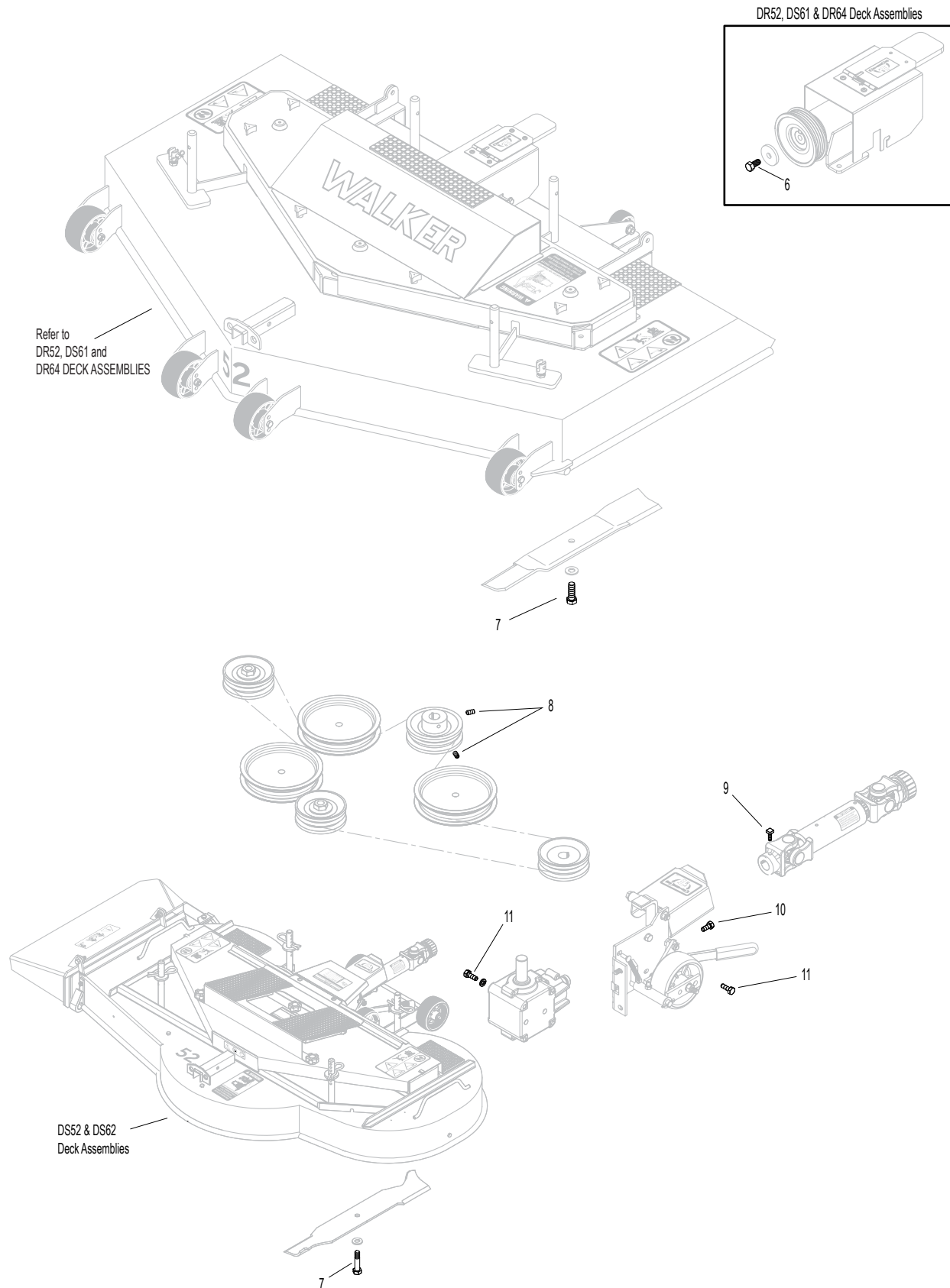
DS52 & DS62 Deck Assemblies

- Torque** P/N F265 (1/2-20 x 1-1/2 Hex Bolt) or F343 (1/2-20 x 2 Hex Bolt, used on underside of blades) to 70 lb-ft (95 N·m). **DO NOT** apply Loctite®.
- Apply** Loctite® Threadlocker # 242 (Blue) to P/N F114 (5/16-18 x 5/8 SQH Set Screw, used on Drive Pulley) prior to assembly. Torque to 190 lb-in. (21.5 N·m).
- Apply** Loctite® Threadlocker # 242 (Blue) to P/N F076 (3/8-16 x 5/8 SQH Set Screw, used on U-Joint Shaft Assy, T-Scope) prior to assembly. Torque to 400 lb-in. (45.2 N·m).
- Torque** P/N F339 (5/16-18 x 3/4 Self-Tapping Bolt, used on Mount Bracket & PTO Guard) to 200 lb-in. (22.6 N·m). **DO NOT** apply Loctite®.
- Apply** Loctite® Threadlocker # 242 (Blue) to P/N F226 (5/16-18 x 7/8 Hex Bolt, used on Right Angle Gearbox) prior to assembly. Torque to 18 lb-ft (24.4 N·m).

NOTE: Models DS48 and DS52 are shown here. Refer to individual deck assemblies for exact locations and quantities of items listed above.



FASTENER LOCTITE® APPLICATION & TORQUE INSTRUCTIONS



H24d, H27i AND H37i DECK ARM ADAPTER KIT

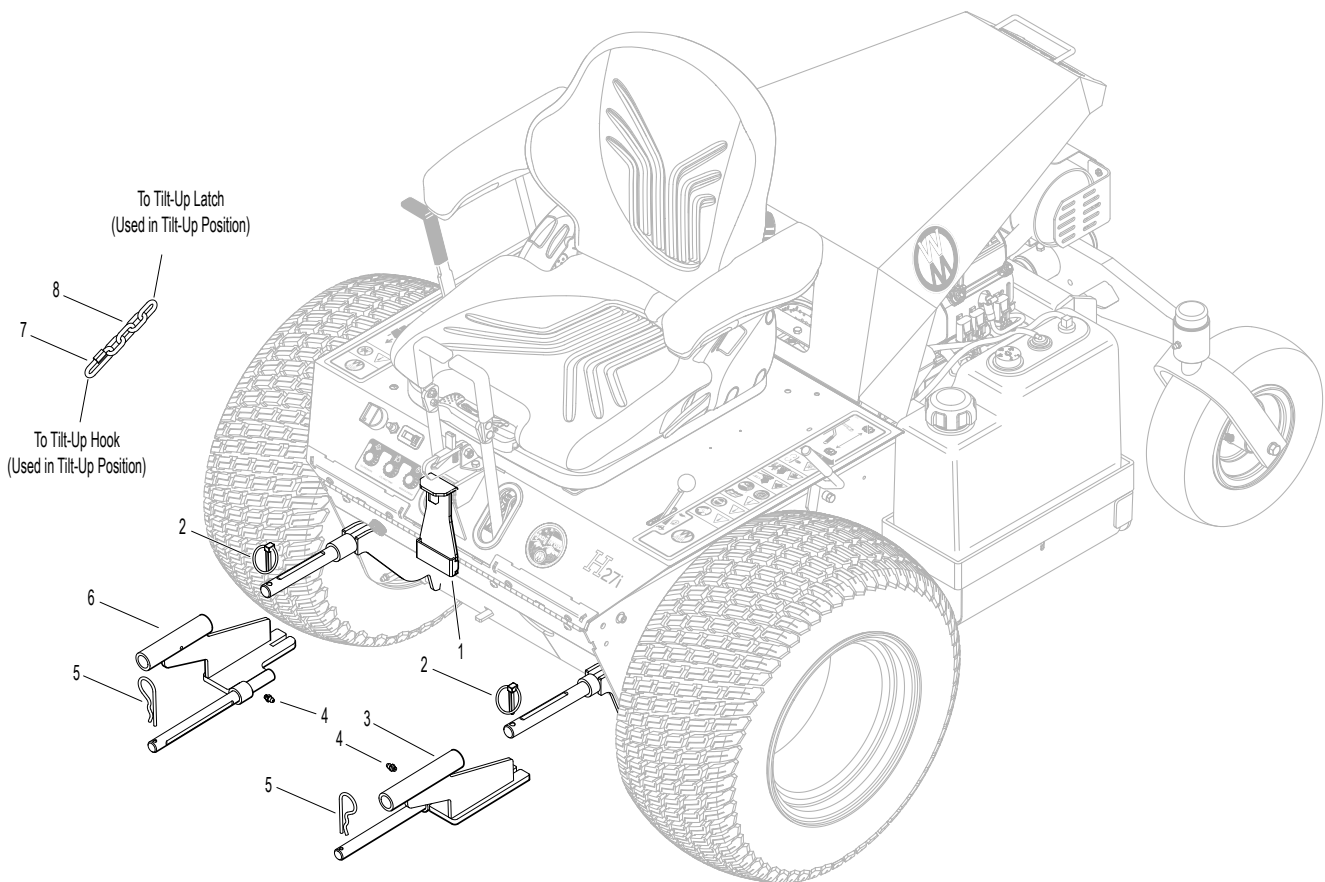
ITEM NO.	PART NO.	DESCRIPTION	NO. REQ'D	ITEM NO.	PART NO.	DESCRIPTION	NO. REQ'D
----------	----------	-------------	-----------	----------	----------	-------------	-----------

Kit 2430-10 Deck Arm Adapter Kit

Includes Items # 1-8 and instructions. May be ordered as a kit for dealer installation. Contact your Walker dealer.

NOTE: Installation of 2430-10 on Walker Models H24d, H27i and H37i allows the use of the DS48, DS52, DS56, DS62, and DS74 decks.

1	2744-2	Counter Weight Spring Extension	1
2	2775	Lynch Pin (5/16 x 1-1/4)	2
3	2431-1	Deck Arm Adapter, LH	1
4	5830-6	Grease Fitting (5/16-24)	2
5	5775-2	Hitch Pin (#6)	2
6	2430-1	Deck Arm Adapter, RH	1
7	2744-4	1/4" Quick Link	1
8	2744-5	Chain	1



LIMITED WARRANTY FOR WALKER COMMERCIAL RIDER MOWER

1. WHAT THIS WARRANTY COVERS, AND FOR HOW LONG:

Walker Manufacturing company will, at its option, repair or replace, without charge, any part covered by this warranty which is found to be defective in material and/or workmanship within two (2) years after the date of sale to the original retail purchaser unless the product is used for rental purposes, in which case this warranty is limited to ninety (90) days. At Walker's request, customer will make the defective part available for inspection by Walker and/or return the defective part to Walker, transportation charges prepaid. All parts and components of the Walker Mower are covered by this warranty.

2. WHAT THIS WARRANTY DOES NOT COVER:

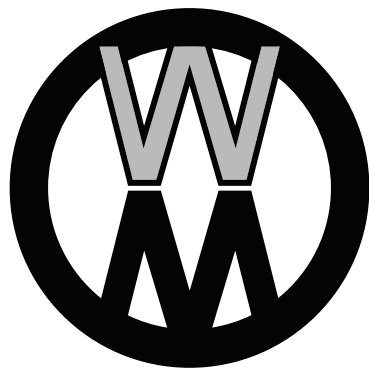
- A. This warranty does not cover defects caused by depreciation or damage caused by normal wear, accidents, improper maintenance, improper use or abuse of the product, alterations, or failure to follow the instructions contained in the Operator's Manual for operation and maintenance.
- B. The customer shall pay any charges for making service calls and/or for transporting the mower to and from the place where the inspection and/or warranty work is performed.

3. HOW TO OBTAIN SERVICE UNDER THIS WARRANTY:

Warranty service can be arranged by contacting the dealer where you purchased the mower or by contacting Walker Manufacturing Company, 5925 East Harmony Road, Ft. Collins, CO 80528. Proof of the date of purchase may be required to verify warranty coverage.

4. WARRANTY LIMITATION:

- A. **THERE IS NO OTHER EXPRESS WARRANTY. ANY WARRANTY THAT MAY BE IMPLIED FROM THIS PURCHASE INCLUDING MERCHANTABILITY AND FITNESS FOR A PARTICULAR PURPOSE IS HEREBY LIMITED TO THE DURATION OF THIS WARRANTY AND TO THE EXTENT PERMITTED BY LAW ANY AND ALL IMPLIED WARRANTIES ARE EXCLUDED.** Some states do not allow limitations on how long an implied warranty lasts, so the above limitations may not apply to you.
- B. **WALKER WILL NOT BE LIABLE FOR ANY INCIDENTAL, CONSEQUENTIAL, OR SPECIAL DAMAGES AND/OR EXPENSES IN CONNECTION WITH THE PURCHASE OR USE OF THE MOWER.** Some states do not allow the exclusion or limitation of incidental or consequential damages, so the above limitation(s) or exclusion(s) may not apply to you.
- C. Only the warranty expressed in this limited warranty shall apply and no dealer, distributor, or individual is authorized to amend, modify, or extend this warranty in any way. Accordingly, additional statements such as dealer advertising or presentations, whether oral or written, do not constitute warranties by Walker, and should not be relied upon.
- D. This warranty gives you specific legal rights, and you may also have other rights which vary from state to state.



WALKER

WALKER MFG. CO. • 5925 E. HARMONY ROAD, FORT COLLINS, CO 80528 • (970) 221-5614
FORM NO. 090920 PRINTED IN USA www.walker.com ©2020 WALKER MFG. CO