

WALKER

Illustrated Parts Manual

Mulching Deck and Carrier Frame Assemblies

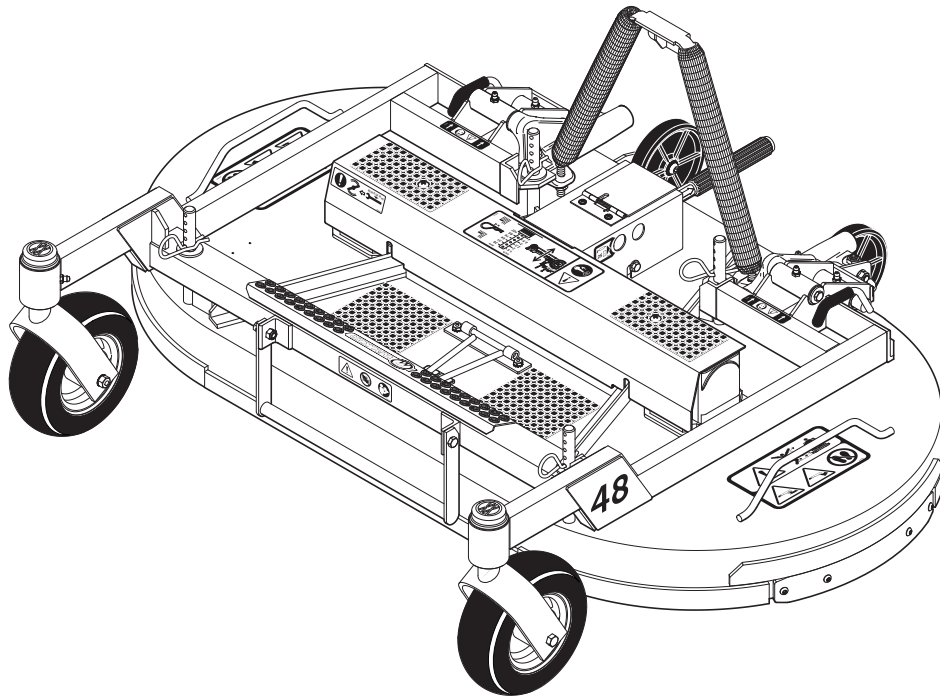
DM36

DM42

DM42B

DM48

DM52



Effective Date: 05-24-19
P/N 5000-49

KEY TO ABBREVIATIONS USED IN THIS MANUAL

<i>Abbreviation</i>	<i>What it Represents</i>
° (Dimension)	Degrees (Angle)
" (Dimension)	inches
(-)	Negative (Polarity)
(+)	Positive (Polarity)
AT	All-Terrain
CCW	Counter-clockwise
Conn	Connector
CW	Clockwise
D	Diameter
DC	Deck, Collection (number refers to size in inches)
DM	Deck, Mulching (number refers to size in inches)
DR	Deck, Rear Discharge (number refers to size in inches)
DS	Deck, Side Discharge (number refers to size in inches)
DU	Garlock (Bearing)
ESNA (Fastener)	Nylon Insert Locknut
FSC	Forward Speed Control
GA	Gauge
gal	gallon
GHS	Grass Handling System
GR (Fastener)	Grade
HD	Heavy Duty
HP	Horse Power
ID	Identification or Inside Diameter
L	Length
LH	Left Hand (orientated with operator on seat)
LP	Low Profile
mm (Dimension)	millimeters
MS (Fastener)	Machine Screw
NS (as part number)	Item is not sold by Walker Manufacturing
OD	Outside Diameter
oz	ounce
PFH (Fastener)	Phillips Flat Head
P/N	Part Number
PPH (Fastener)	Phillips Pan Head
PTH (Fastener)	Phillips Truss Head
PTO	Power Take-Off
QKS	Quick Slide
qt	quart
RH	Right Hand (orientated with operator on seat)
SAE (Fastener)	Society of Automotive Engineers
SBH (Fastener)	Socket Button Head (Bolt)
SD	Side Discharge
SFH (Fastener)	Slotted Flat Head
SHC (Fastener)	Socket Head Cap
SHL (Fastener)	Shoulder (Bolt)
SM (Fastener)	Sheet Metal (Screw)
S/N	Serial Number
Spg	Spring
SQH (Fastener)	Square Head
SS (Fastener)	Stainless Steel
ST (Fastener)	Self-Tapping (Screw)
Term	Terminal
V	Volts

NOTE: In some instances, combinations of abbreviations may be used (e.g. PPHMS - Phillips Pan Head Machine Screw).

ILLUSTRATED PARTS LIST

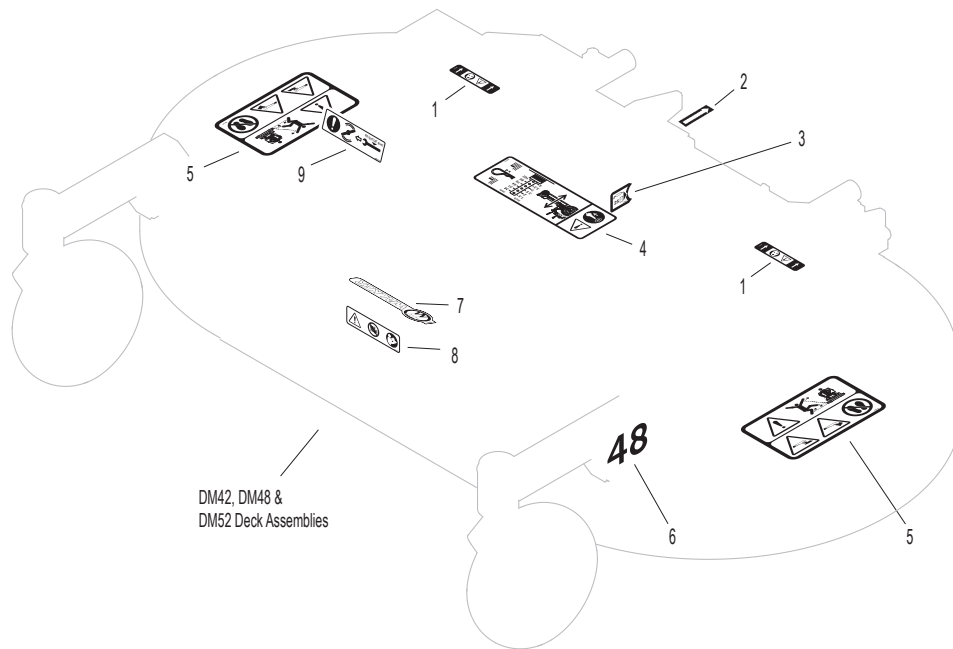
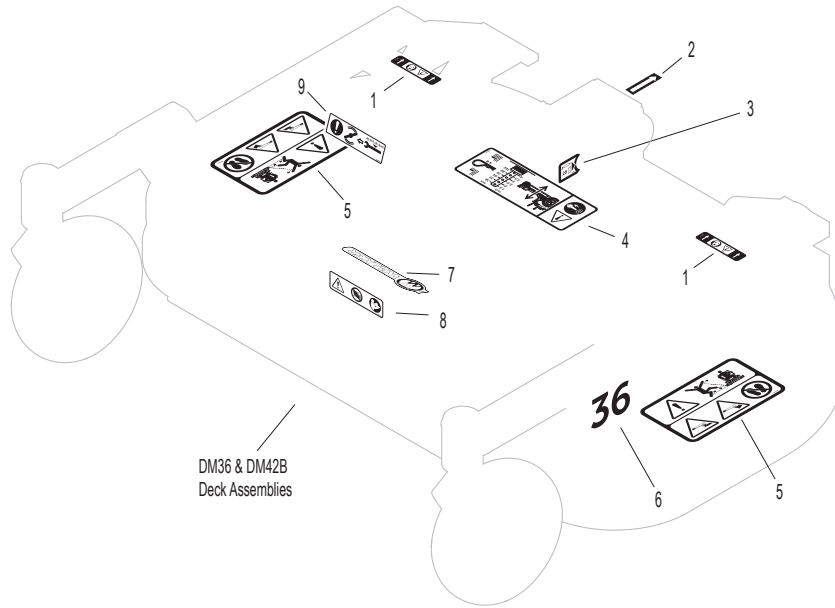
<i>Section of Deck Covered</i>	<i>Page</i>	<i>Section of Deck Covered</i>	<i>Page</i>
Decals & Paint		Maintenance	
36", 42", 48" & 52" Deck Decals / Touch-Up Paint	2	Lubrication Points	22
Deck and Carrier Frame Assemblies		H24d, H27i And H37i Deck Arm Adapter Kit	23
36 Inch Complete Carrier Frame Assembly.....	4	Blade Usage Chart.....	24
DM36 Deck Assembly	6	Fastener Loctite® Application & Torque Instructions	25
42 Inch Complete Carrier Frame Assembly.....	8	Maintenance And Service Record Sheet.....	26
DM42 Deck Assembly	10	Deck / Tractor Compatibility Chart.....	28
42B And 48 Inch Complete Carrier Frame Assembly	12	Warranty	
DM42B Deck Assembly	14	Limited Warranty.....	29
DM48 Deck Assembly	16		
52 Inch Complete Carrier Frame Assembly.....	18		
DM52 Deck Assembly	20		

36", 42", 48" & 52" DECK DECALS / TOUCH-UP PAINT

ITEM NO.	PART NO.	DESCRIPTION	LOCATION	NO. REQ'D
DM36 & DM42B Deck Decals				
1	8600-15	Caution, Pivot Joint	Carrier Frame	2
2	6875	PTO Alignment Arrow	Universal Joint Shaft Assembly	1
3	5846-1	Grease Fitting	PTO Shaft Guard	1
4	8600-39	Cutting Height Adjustment	Gearbox Cover	1
5	8600-28	Danger, Rotating Blades	Deck Housing (one on each end)	2
6	8821-14	Decal (36")	Carrier Frame	1
	8821-15	Decal (42")	Carrier Frame	1
7	5809-2	Decal, Walker	Carrier Frame	1
8	8600-14	Danger, Tilt-Up	Carrier Frame, Front	1
9	8600-9	Blade Mounting Torque	Gearbox Cover	1
DM42, DM48 & DM52 Deck Decals				
1	8600-15	Caution, Pivot Joint	Carrier Frame	2
2	6875	PTO Alignment Arrow	Universal Joint Shaft Assembly	1
3	5846-1	Grease Fitting	PTO Shaft Guard	1
4	8600-39	Cutting Height Adjustment	Gearbox Cover	1
5	8600-28	Danger, Rotating Blades	Deck Housing (one on each end)	2
6	8821-15	Decal (42")	Carrier Frame	1
	8821-16	Decal (48")	Carrier Frame	1
	8821-17	Decal (52")	Carrier Frame	1
7	5809-2	Decal, Walker	Carrier Frame	1
8	8600-14	Danger, Tilt-Up	Carrier Frame, Front	1
9	8600-9	Blade Mounting Torque	Gearbox Cover	1
Touch-Up Paint				
10	5866	Touch-Up Paint, Yellow (12 oz. Aerosol)		

NOTE: All parts requiring decals are shipped with decals applied.

36", 42", 48" & 52" DECK DECALS / TOUCH-UP PAINT



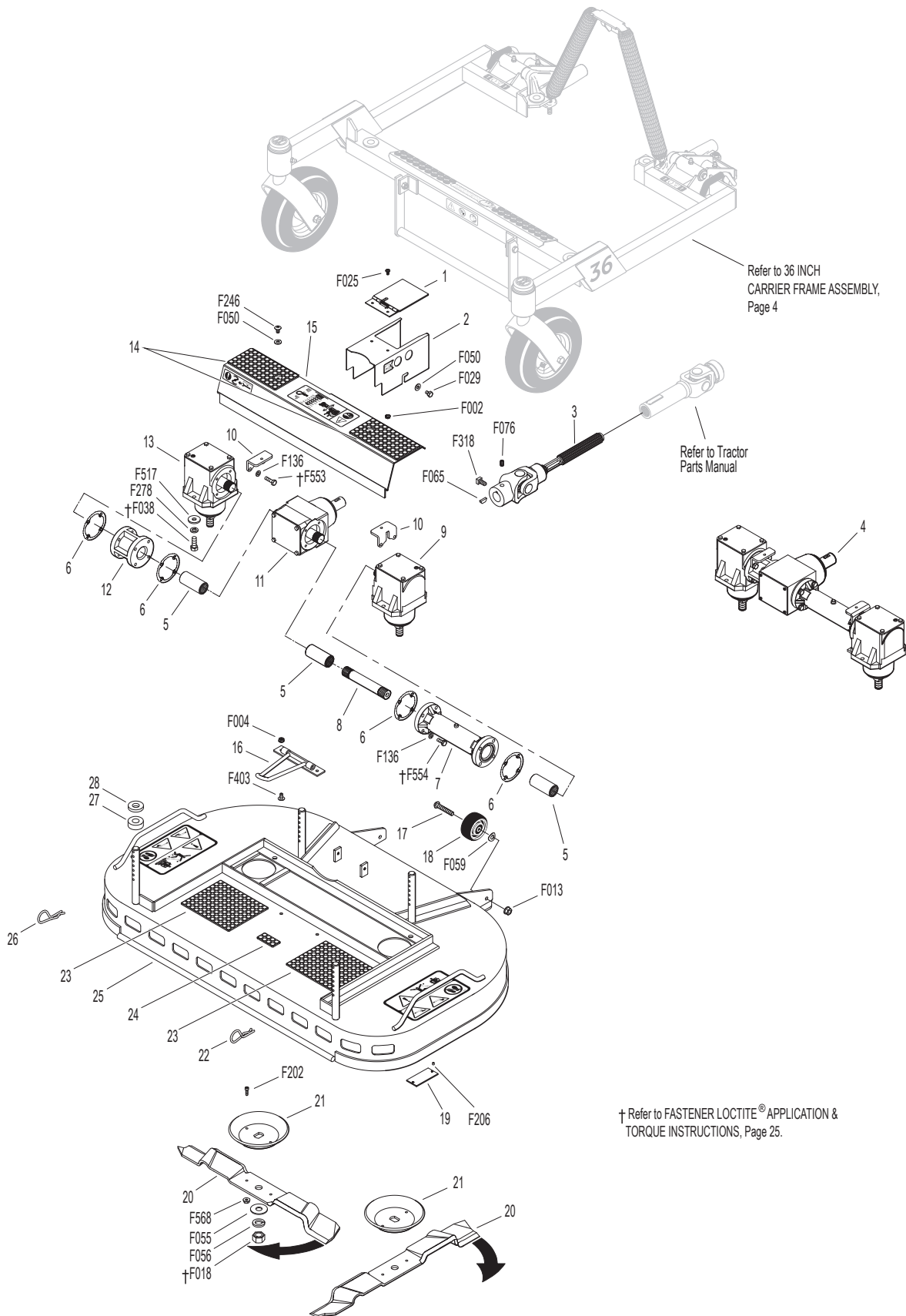
36 INCH COMPLETE CARRIER FRAME ASSEMBLY

ITEM NO.	PART NO.	DESCRIPTION	NO. REQ'D	ITEM NO.	PART NO.	DESCRIPTION	NO. REQ'D
Spring and Pivot Mount Components				Fasteners			
1	5975-3	Cable Tie (50# x 7")	4	F012		3/8-16 Keps Nut	2
2	5744-1	Spring Clip Bracket	1	F020		5/16-18 ESNA Nut	2
3	5743-1	Spring Cover	2	F047		3/8-16 x 4-1/2 Hex Bolt	2
4	5743-4	Eyebolt (3/8-16 x 2-3/4)	2	F055		5/8 SAE Washer	2
5	5830	Grease Fitting	8	F068		1/8 x 1 Cotter Pin	2
6	8667-3	Pivot Mount Assembly, LH/Adj. (Includes Items # 5, F353, F489 & F520)	*	F084		5/16 Wave Spring Washer	2
7	8667-4	Pivot Mount Assembly, RH/Adj. (Includes Items # 5, F353, F489 & F520)	*	F098		5/8-18 Slotted Hex Nut	2
8	5743-8	Extension Spring (1-1/2 x 7-3/4) (Includes Items # 1, F117 & F166)	2	F117		Retainer Ring	2
				F123		1" External Snap Ring	4
				F166		Retainer Ring	2
				F226		5/16-18 x 7/8 Hex Bolt	2
				F317		3/16 x 1 Split Spring Pin	2
				F335		3/8-16 x 7/8 Set Screw, SS	2
				F336		3/8-16 Jam Nut	2
				F353		3/8-16 ESNA LP Nut	2
				F489		Washer 1/4 x 7/8 x .090	2
				F520		1/4-28 x 3/8 Hex Bolt	2
Carrier Frame Components				* Service Part Only			
9	8674-11	Lever, Deck Lock, LH	1				
10	7406-1	Handle Grip (Red)	2				
11	8669	Lift Handle	1				
12	5740-2	Deck Pin Bushing (5/8)	4				
13	5708-8	DML36 Carrier Frame (Less Pivots)	1				
	5708-7	36 Carrier Frame W/Forks (Less Pivots) (Includes Items # 19-21, 23, F055, F068 & F098)	*				
14	8674-10	Lever, Deck Lock, RH	1				
Caster Wheel Components							
15	8769-11	Bearing Cup (3/8 ID)	4				
16	5714-11	Bearing	4				
17	5714-10	Axle Tube (3.417)	2				
18	5715-23	Caster Wheel & Tire/No-Flat (8 x 3.00-4) W/Cups (Includes Items # 15-17)	2				
	5715-16	Tire, Caster Wheel/No-Flat (8 x 3.00-4)	*				
19	5770-1	Caster Wheel Fork	2				
20	8768-1	Seal (1-3/4 x 1-1/8)	2				
21	8037	Bearing Cone (3/4 ID)	4				
22	8769-1	Bearing Cup (1-3/4 x 1-7/16)	4				
23	8769-10	Dust Cap, Deck Caster	2				

DM36 DECK ASSEMBLY

ITEM NO.	PART NO.	DESCRIPTION	NO. REQ'D	ITEM NO.	PART NO.	DESCRIPTION	NO. REQ'D
Gearbox and Drive Components				24	8788-1	Rubber Mat (1 x 2)	1
1	8618-1	Cover, PTO Shaft Guard	1	25	5702-7	DML36 Deck Housing (Includes Items # 23 & 24)	1
2	8619-2	PTO Shaft Guard	1	26	7775-2	Hitch Pin, RH (Gold) #6	2
	8618-3	PTO Shaft Guard Assembly (Includes Items # 1, 2, F002 & F025)	*	27	7434-1	Washer 1-3/8 x 5/8-1/2 Thick	4
3	5285-5	U-Joint Shaft Assembly (90 Degree) Spline, Keyed (Includes Items # F065, F076 & F318)	1	28	5727-1	Washer Shim (5/8 ID)	4
4	6711-2	DM36 Gearbox and Tube Assembly, HD (Includes Items # 5-13, F136, F553 & F554)	1	Fasteners			
5	6054	Spline Coupling	3	F002	10-24 Keps Nut		2
6	P007	Gasket, Cap (Peerless #788030)	4	F004	1/4-20 Keps Nut		2
7	5065	Connector Tube (7-11/16)	1	F013	3/8-16 Whiz Locknut		2
8	6733-4	Connecting Shaft (5-5/16)	1	F018	5/8-18 Hex Nut		2
9	5052-16	HD Gearbox (1:2:1, 1.762) CCW-CCW	1	F025	10-24 x 3/8 PPHMS		2
10	5704-1	Gearbox Cover Support	2	F029	1/4-20 x 1/2 Hex Bolt		2
11	5051-5	HD Tee Gearbox (1:1) CW-CW & CCW	1	F038	3/8-16 x 1 Hex Bolt		4
12	5060	Connector Tube (2-5/16)	1	F050	1/4 SAE Washer		4
13	5053-16	HD Gearbox (1:2:1, 1.1762) CW-CCW	1	F055	5/8 SAE Washer		2
14	5747-11	Rubber Mat (3 x 6)	2	F056	5/8 Split Lock Washer		2
15	5746-6	36" Gearbox Cover (Includes Item # 14)	1	F059	3/8 Wave Spring Washer		2
Deck Housing Components				F065	3/16 x 3/4 Woodruff Key (#606)		1
16	8670	Tilt-Up Hook	1	F076	3/8-16 x 5/8 SQH Set Screw		1
17	8490-1	Roller Wheel Axle Bolt	2	F136	AN960C416L Washer		16
18	9772	Roller Wheel Assembly (2-1/2) (Includes Item # F059)	2	F202	10-24 x 5/8 SHC Screw, GR5 SS		4
19	NS	Deck Serial Number Plate	1	F206	#2 x 3/16 Drive Pin		2
20	5705-23	Blade 19" Mulch, Special	2	F246	1/4-20 x 1/2 PTHMS		2
21	5706	Blade Hub & Trash Guard	2	F278	3/8 Split Lock Washer		4
22	7775-1	Hitch Pin, LH (Silver) #6	2	F318	3/8-16 x 3/4 SQH Set Screw		1
23	8735-10	Rubber Mat (5 x 6)	2	F403	1/4-20 x 1/2 PTHMS, SS		2
				F517	Washer 3/8 x 1-1/8 x 1/8		4
				F553	1/4-20 x 1 Hex Bolt W/Loctite		4
				F554	1/4-20 x 7/8 Hex Bolt W/Loctite		12
				F568	10-24 Flange Top Lock Nut		4
				* Service Part Only			

DM36 DECK ASSEMBLY



Refer to LUBRICATION POINTS, Page 22.

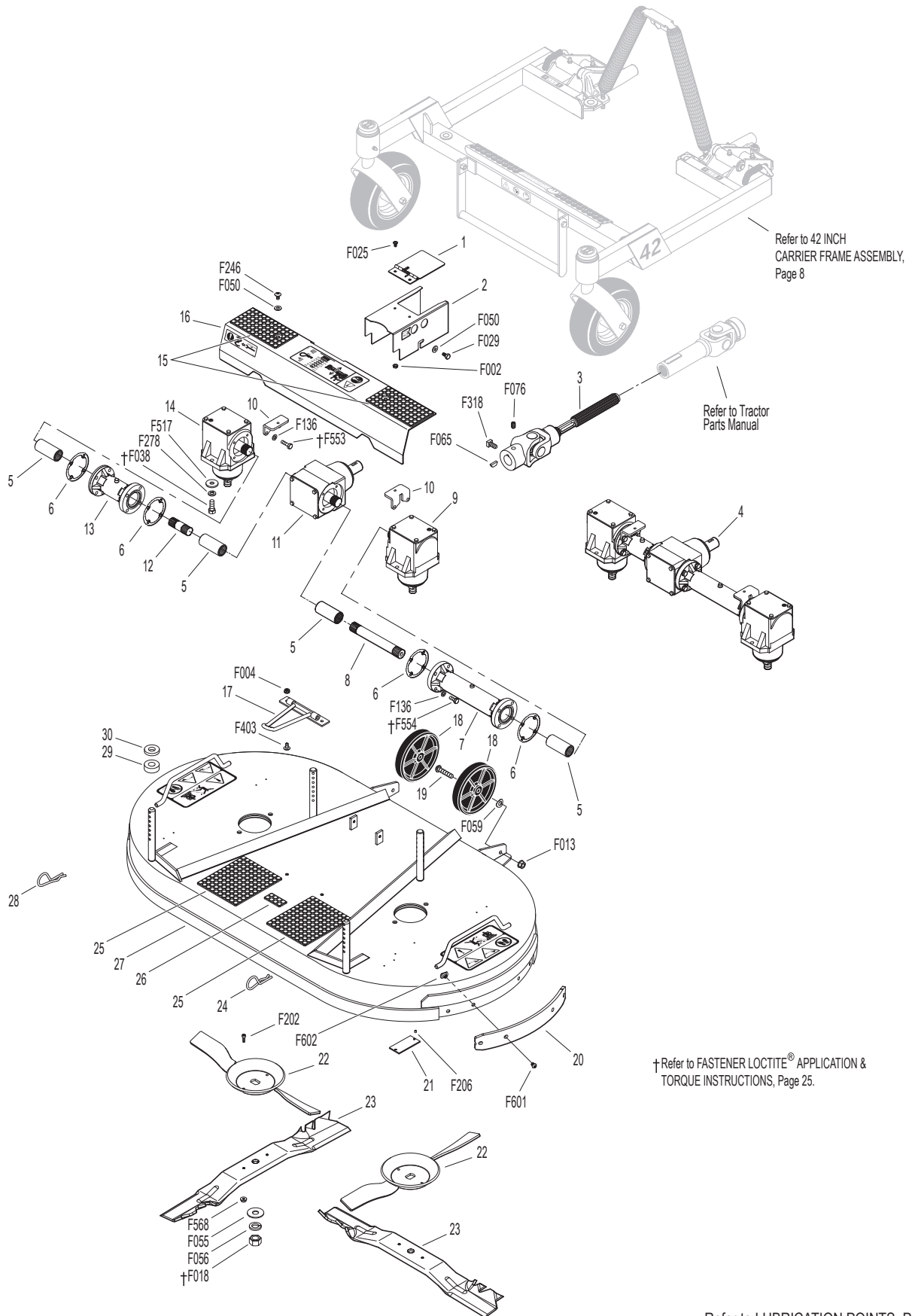
42 INCH COMPLETE CARRIER FRAME ASSEMBLY

ITEM NO.	PART NO.	DESCRIPTION	NO. REQ'D	ITEM NO.	PART NO.	DESCRIPTION	NO. REQ'D
Spring and Pivot Mount Components				Fasteners			
1	5975-3	Cable Tie (50# x 7")	4	F012		3/8-16 Keps Nut	2
2	5744-1	Spring Clip Bracket	1	F020		5/16-18 ESNA Nut	2
3	5743-1	Spring Cover	2	F047		3/8-16 x 4-1/2 Hex Bolt	2
4	5743-4	Eyebolt (3/8-16 x 2-3/4)	2	F055		5/8 SAE Washer	2
5	5830	Grease Fitting	8	F068		1/8 x 1 Cotter Pin	2
6	8667-3	Pivot Mount Assembly, LH/Adj. (Includes Items # 5, F353, F489 & F520)	*	F084		5/16 Wave Spring Washer	2
7	8667-4	Pivot Mount Assembly, RH/Adj. (Includes Items # 5, F353, F489 & F520)	*	F098		5/8-18 Slotted Hex Nut	2
8	5743-8	Extension Spring (1-1/2 x 7-3/4) (Includes Items # 1, F117 & F166)	2	F117		Retainer Ring	2
				F123		1" External Snap Ring	4
				F166		Retainer Ring	2
				F226		5/16-18 x 7/8 Hex Bolt	2
				F317		3/16 x 1 Split Spring Pin	2
				F335		3/8-16 x 7/8 Set Screw, SS	2
				F336		3/8-16 Jam Nut	2
				F353		3/8-16 ESNA LP Nut	2
				F489		Washer 1/4 x 7/8 x .090	2
				F520		1/4-28 x 3/8 Hex Bolt	2
Carrier Frame Components				* Service Part Only			
9	8674-11	Lever, Deck Lock, LH	1				
10	7406-1	Handle Grip (Red)	2				
11	8669	Lift Handle	1				
12	5740-2	Deck Pin Bushing (5/8)	4				
13	8660-13	42" Carrier Frame (Less Pivots)	1				
	8660-12	42" Carrier Frame W/Forks (Less Pivots) (Includes Items # 19-21, 23, F055, F068 & F098)	*				
14	8674-10	Lever, Deck Lock, RH	1				
Caster Wheel Components							
15	8769-11	Bearing Cup (3/8 ID)	4				
16	5714-11	Bearing	4				
17	5714-10	Axle Tube (3.417)	2				
18	5715-23	Caster Wheel & Tire/No-Flat (8 x 3.00-4) W/Cups (Includes Items # 15-17)	2				
	5715-16	Tire, Caster Wheel/No-Flat (8 x 3.00-4)	*				
19	5770-1	Caster Wheel Fork	2				
20	8768-1	Seal (1-3/4 x 1-1/8)	2				
21	8037	Bearing Cone (3/4 ID)	4				
22	8769-1	Bearing Cup (1-3/4 x 1-7/16)	4				
23	8769-10	Dust Cap, Deck Caster	2				

DM42 DECK ASSEMBLY

ITEM NO.	PART NO.	DESCRIPTION	NO. REQ'D	ITEM NO.	PART NO.	DESCRIPTION	NO. REQ'D
Gearbox and Drive Components				24	7775-1	Hitch Pin, LH (Silver) #6	2
1	8618-1	Cover, PTO Shaft Guard	1	25	8735-10	Rubber Mat (5 x 6)	2
2	8619	PTO Shaft Guard	1	26	8788-1	Rubber Mat (1 x 2)	1
	8618	PTO Shaft Guard Assembly (Includes Items # 1, 2, F002 & F025)	*	27	5701-15	DM42 Deck Housing (Includes Items # 20, 25, 26, F601 & F602)	1
3	5285-5	U-Joint Shaft Assembly (90 Degree) Spline, Keyed (Includes Items # F065, F076 & F318)	1	28	7775-2	Hitch Pin, RH (Gold) #6	2
4	6711-7	42" Mulch Gearbox and Tube Assembly, HD (Includes Items # 5-14, F136, F553 & F554)	1	29	7434-1	Washer 1-3/8 x 5/8-1/2 Thick	4
5	6054	Spline Coupling	4	30	5727-1	Washer Shim (5/8 ID)	4
6	P007	Gasket, Cap (Peerless #788030)	4	Fasteners			
7	5063	Gearbox Connector Tube (8-5/8)	1	F002	10-24 Keps Nut		2
8	6733-3	Connecting Shaft (6-1/4)	1	F004	1/4-20 Keps Nut		2
9	5052-13	HD Gearbox (1:1) CCW/CCW	1	F013	3/8-16 Whiz Locknut		2
10	5704-1	Gearbox Cover Support	2	F018	5/8-18 Hex Nut		2
11	5051-5	HD Tee Gearbox, (1:1) CW-CW & CCW	1	F025	10-24 x 3/8 PPHMS		2
12	6733-1	Connecting Shaft (2")	1	F029	1/4-20 x 1/2 Hex Bolt		2
13	5062	Gearbox Connector Tube (4-3/8)	1	F038	3/8-16 x 1 Hex Bolt		4
14	5053-3	HD Gearbox (1:1) CW-CCW	1	F050	1/4 SAE Washer		4
15	5747-11	Rubber Mat (3 x 6)	2	F055	5/8 SAE Washer		2
16	8629-3	42" Gearbox Cover (Includes Item # 15)	1	F056	5/8 Split Lock Washer		2
Deck Housing Components				F059	3/8 Wave Spring Washer		2
17	8670	Tilt-Up Hook	1	F065	3/16 x 3/4 Woodruff Key (#606)		1
18	5162-12	Roller Wheel (5" Poly) (Includes Items # 19, F013 & F059)	2	F076	3/8-16 x 5/8 SQH Set Screw		1
19	8490	Roller Wheel Axle Bolt	2	F136	AN960C416L Washer		16
20	7703-42	Replaceable Wear Edge	2	F202	10-24 x 5/8 SHC Screw, GR5 SS		4
21	NS	Deck Serial Number Plate	1	F206	#2 x 3/16 Drive Pin		2
22	5706-7	Mulch Blade Hub, 14" (Clear Zinc)	2	F246	1/4-20 x 1/2 PTHMS		2
23	7705-25	Blade, 22" (Mulch)	2	F278	3/8 Split Lock Washer		4
	5705-27	42 DM Blade Set With Hubs (Includes Items # 22, 23, F202 & F568)	*	F318	3/8-16 x 3/4 SQH Set Screw		1
				F403	1/4-20 x 1/2 PTHMS, SS		2
				F517	Washer 3/8 x 1-1/8 x 1/8		4
				F553	1/4-20 x 1 Hex Bolt W/Loctite		4
				F554	1/4-20 x 7/8 Hex Bolt W/Loctite		12
				F568	10-24 Flange Top Lock Nut		4
				F601	1/4-20 x 3/8 Torx Button Head		8
				F602	1/4-20 x 1/4 T-Nut		8
				* Service Part Only			

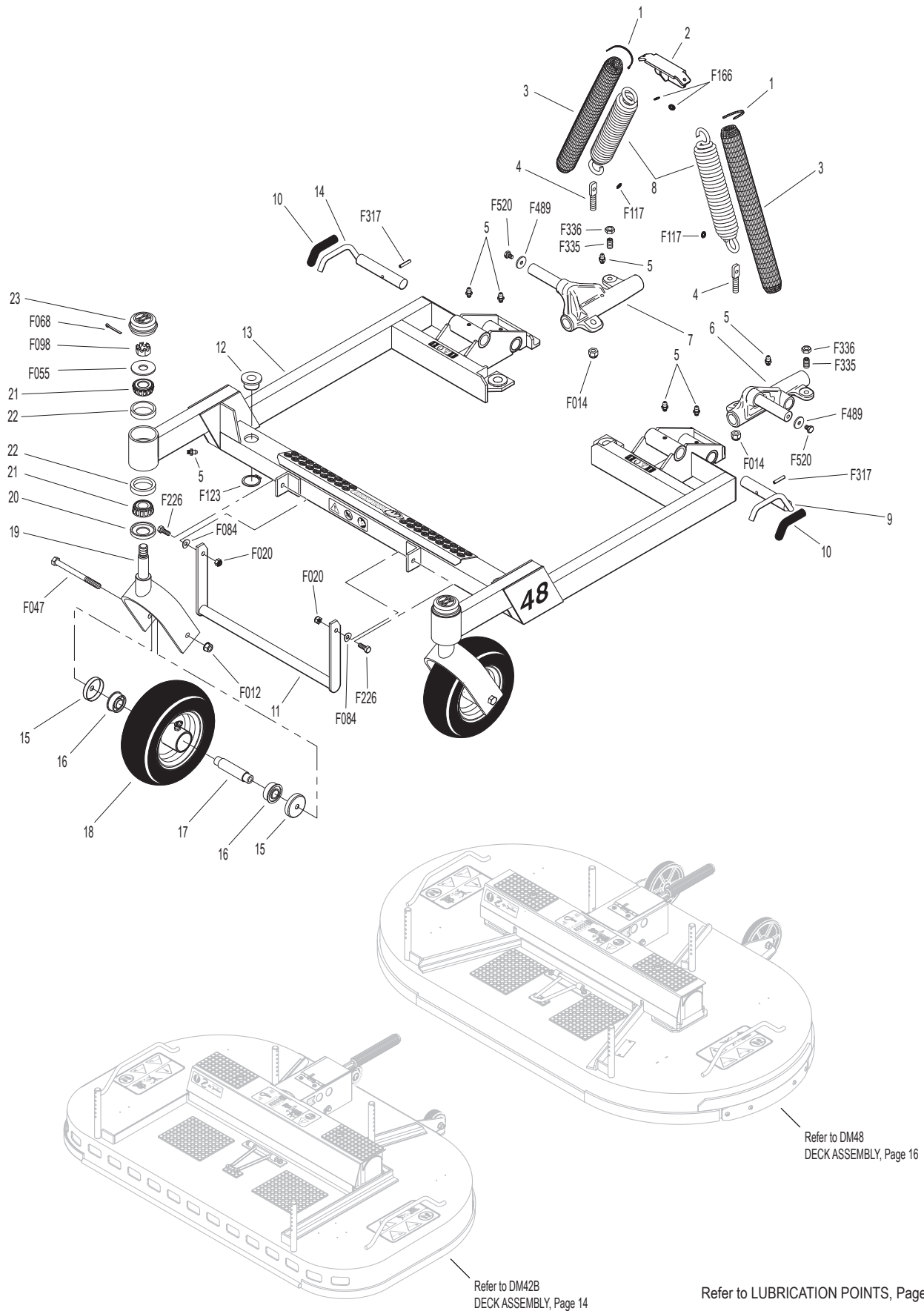
DM42 DECK ASSEMBLY



42B AND 48 INCH COMPLETE CARRIER FRAME ASSEMBLY

ITEM NO.	PART NO.	DESCRIPTION	NO. REQ'D	ITEM NO.	PART NO.	DESCRIPTION	NO. REQ'D
Spring and Pivot Mount Components				Fasteners			
1	5975-3	Cable Tie (50# x 7")	4	F012		3/8-16 Keps Nut	2
2	5744-1	Spring Clip Bracket	1	F014		3/8-16 ESNA Nut	2
3	5743-1	Spring Cover	2	F020		5/16-18 ESNA Nut	2
4	5743-3	Eyebolt (3/8-16 x 2)	2	F047		3/8-16 x 4-1/2 Hex Bolt	2
	5743-4	Eyebolt (3/8-16 x 2-3/4)	2**	F055		5/8 SAE Washer	2
5	5830	Grease Fitting	8	F068		1/8 x 1 Cotter Pin	2
6	8667-3	Pivot Mount Assembly, LH/Adj. (Includes Items # 5, F014, F489 & F520)	*	F084		5/16 Wave Spring Washer	2
7	8667-4	Pivot Mount Assembly, RH/Adj. (Includes Items # 5, F014, F489 & F520)	*	F098		5/8-18 Slotted Hex Nut	2
8	5743-6	Extension Spring (1-1/2 x 7-3/4) (Includes Items # 1, F117 & F166)	2	F117		Retainer Ring	2
	5743-8	Extension Spring (1-1/2 x 7-3/4) (Includes Items # 1, F117 & F166)	2**	F123		1" External Snap Ring	4
				F166		Retainer Ring	2
				F226		5/16-18 x 7/8 Hex Bolt	2
				F317		3/16 x 1 Split Spring Pin	2
				F335		3/8-16 x 7/8 Set Screw, SS	2
				F336		3/8-16 Jam Nut	2
				F489		Washer 1/4 x 7/8 x .090	2
				F520		1/4-28 x 3/8 Hex Bolt	2
Carrier Frame Components				* Service Part Only			
9	8674-11	Lever, Deck Lock, LH	1	** Item used with DM42B Mulching Deck only			
10	7406-1	Handle Grip (Red)	2	NOTE: The 48 Inch Carrier Frame is also used on the DM42B Mulching Deck.			
11	8669	Lift Handle	1				
12	5740-2	Deck Pin Bushing (5/8)	4				
13	8661-2	48" Carrier Frame (Less Pivots)	1				
	8661-1	48" Carrier Frame W/Forks (Less Pivots) (Includes Items # 19-21, 23, F055, F068 & F098)	*				
14	8674-10	Lever, Deck Lock, RH	1				
Caster Wheel Components							
15	8769-11	Bearing Cup (3/8 ID)	4				
16	5714-11	Bearing	4				
17	5714-10	Axle Tube (3.417)	2				
18	5715-23	Caster Wheel & Tire/No-Flat (8 x 3.00-4) W/Cups (Includes Items # 15-17)	2				
	5715-16	Tire, Caster Wheel/No-Flat (8 x 3.00-4)	*				
19	5770-1	Caster Wheel Fork	2				
20	8768-1	Seal (1-3/4 x 1-1/8)	2				
21	8037	Bearing Cone (3/4 ID)	4				
22	8769-1	Bearing Cup (1-3/4 x 1-7/16)	4				
23	8769-10	Dust Cap, Deck Caster	2				

42B AND 48 INCH COMPLETE CARRIER FRAME ASSEMBLY



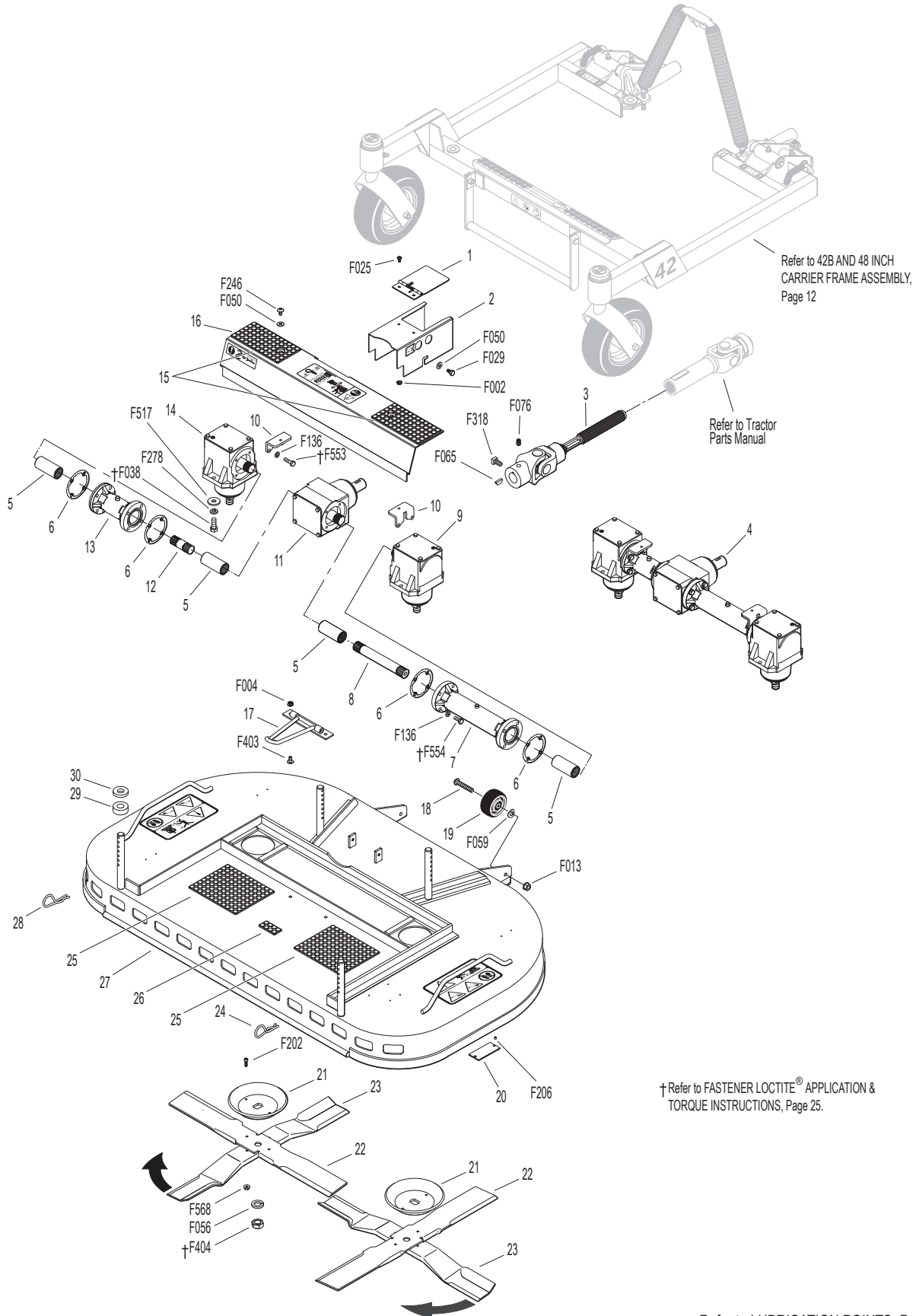
Effective Date 05-24-19
 Use only genuine Walker® replacement parts.

DM42B DECK ASSEMBLY

ITEM NO.	PART NO.	DESCRIPTION	NO. REQ'D	ITEM NO.	PART NO.	DESCRIPTION	NO. REQ'D
Gearbox and Drive Components				23	5705-10	Blade, 21" (Lower Mulching)	2
1	8618-1	Cover, PTO Shaft Guard	1	24	7775-1	Hitch Pin, LH (Silver) #6	2
2	8619	PTO Shaft Guard	1	25	8735-10	Rubber Mat (5 x 6)	2
	8618	PTO Shaft Guard Assembly (Includes Items # 1, 2, F002 & F025)	*	26	8788-1	Rubber Mat (1 x 2)	1
3	7285-4	U-Joint Shaft Assembly, Spline (Keyed) (Includes Items # F065, F076 & F318)	1	27	5701-13	DML42B Deck Housing (Includes Items # 25 & 26)	1
4	6711-7	42" Mulch Gearbox and Tube Assembly, HD (Includes Items # 5-14, F136, F553 & F554)	1	28	7775-2	Hitch Pin, RH (Gold) #6	2
5	6054	Spline Coupling	4	29	7434-1	Washer 1-3/8 x 5/8-1/2 Thick	4
6	P007	Gasket, Cap (Peerless #788030)	4	30	5727-1	Washer Shim (5/8 ID)	4
7	5063	Gearbox Connector Tube (8-5/8)	1	Fasteners			
8	6733-3	Connecting Shaft (6-1/4)	1	F002	10-24 Keps Nut		2
9	5052-13	HD Gearbox (1:1) CCW/CCW	1	F004	1/4-20 Keps Nut		2
10	5704-1	Gearbox Cover Support	2	F013	3/8-16 Whiz Locknut		2
11	5051-5	HD Tee Gearbox (1:1) CW-CW & CCW	1	F025	10-24 x 3/8 PPHMS		2
12	6733-1	Connecting Shaft (2")	1	F029	1/4-20 x 1/2 Hex Bolt		2
13	5062	Gearbox Connector Tube (4-3/8)	1	F038	3/8-16 x 1 Hex Bolt		4
14	5053-3	HD Gearbox (1:1) CW-CCW	1	F050	1/4 SAE Washer		4
15	5747-11	Rubber Mat (3 x 6)	2	F056	5/8 Split Lock Washer		2
16	5785-5	42" Gearbox Cover (Includes Item # 15)	1	F059	3/8 Wave Spring Washer		2
Deck Housing Components				F065	3/16 x 3/4 Woodruff Key (#606)		1
17	8670	Tilt-Up Hook	1	F076	3/8-16 x 5/8 SQH Set Screw		1
18	8490-1	Roller Wheel Axle Bolt	2	F136	AN960C416L Washer		16
19	9772	Roller Wheel Assembly (2-1/2) (Includes Item # F059)	2	F202	10-24 x 5/8 SHC Screw, GR5 SS		4
20	NS	Deck Serial Number Plate	1	F206	#2 x 3/16 Drive Pin		2
21	5706	Blade Hub & Trash Guard	2	F246	1/4-20 x 1/2 PTHMS		2
22	5705-11	Blade, 22" (Upper Mulching)	2	F278	3/8 Split Lock Washer		4
	5705-12	42 DML Blade Set With Hubs (Includes Items # 21-23, F202 & F568)	*	F318	3/8-16 x 3/4 SQH Set Screw		1
				F403	1/4-20 x 1/2 PTHMS, SS		2
				F404	5/8-18 Jam Nut		2
				F517	Washer 3/8 x 1-1/8 x 1/8		4
				F553	1/4-20 x 1 Hex Bolt W/Loctite		4
				F554	1/4-20 x 7/8 Hex Bolt W/Loctite		12
				F568	10-24 Flange Top Lock Nut		4

* Service Part Only

DM42B DECK ASSEMBLY

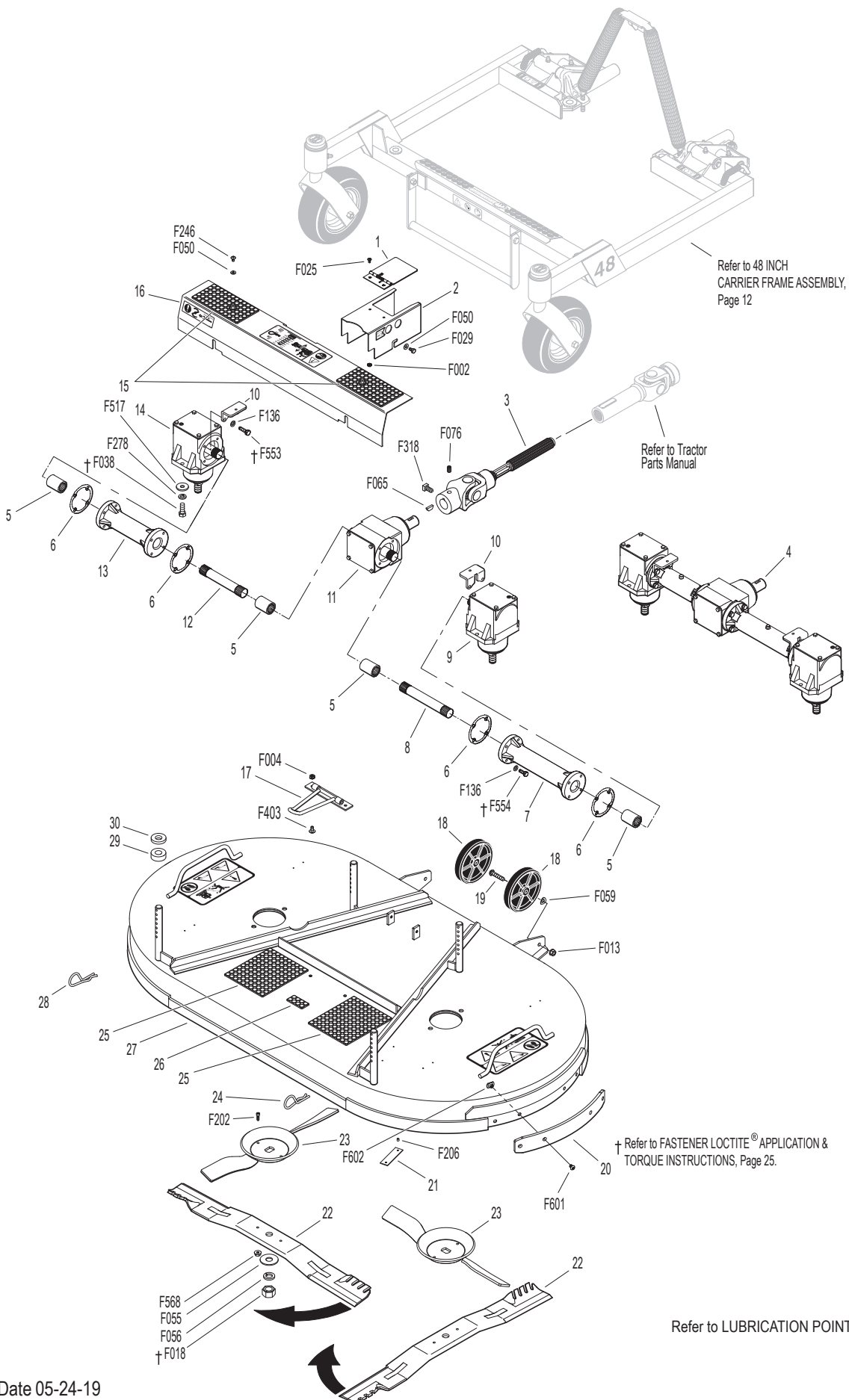


Refer to LUBRICATION POINTS, Page 22.

DM48 DECK ASSEMBLY

ITEM NO.	PART NO.	DESCRIPTION	NO. REQ'D	ITEM NO.	PART NO.	DESCRIPTION	NO. REQ'D
Gearbox and Drive Components				25	8735-10	Rubber Mat (5 x 6)	2
1	8618-1	Cover, PTO Shaft Guard	1	26	8788-1	Rubber Mat (1 x 2)	1
2	8619	PTO Shaft Guard	1	27	7702-18	48 DML Deck Housing (Includes Items # 20, 25, 26, F601 & F602)	1
	8618	PTO Shaft Guard Assembly (Includes Items # 1, 2, F002 & F025)	*	28	7775-2	Hitch Pin, RH (Gold) #6	2
3	7285-5	U-Joint Shaft Assembly, Splined (Keyed) (Includes Items # F065, F076 & F318)	1	29	7434-1	Washer 1-3/8 x 5/8-1/2 Thick	4
4	6711-12	HD Gearbox and Tube Assembly (Includes Items # 5-14, F136, F553 & F554)	1	30	5727-1	Washer Shim (5/8 ID)	4
5	6054	Spline Coupling	4	Fasteners			
6	P007	Gasket, Cap (Peerless #788030)	4	F002	10-24 Keps Nut		2
7	5066	Gearbox Connector Tube (9-5/16)	1	F004	1/4-20 Keps Nut		2
8	6733-6	Connecting Shaft (7")	1	F013	3/8-16 Whiz Locknut		2
9	5052-13	HD Gearbox (1:1) CCW/CCW	1	F018	5/8-18 Hex Nut		2
10	5704-1	Gearbox Cover Support	2	F025	10-24 x 3/8 PPHMS		2
11	5051-5	HD Tee Gearbox (1:1) CW-CW & CCW	1	F029	1/4-20 x 1/2 Hex Bolt		2
12	6733-2	Connecting Shaft (4-1/8)	1	F038	3/8-16 x 1 Hex Bolt		4
13	5061	Gearbox Connector Tube (6-11/16)	1	F050	1/4 SAE Washer		4
14	5053-3	HD Gearbox (1:1) CW-CCW	1	F055	5/8 SAE Washer		2
15	5747-12	Rubber Mat (3 x 6)	2	F056	5/8 Split Lock Washer		2
16	7785-3	48" Gearbox Cover (Includes Item # 15)	1	F059	3/8 Wave Spring Washer		2
Deck Housing Components				F065	3/16 x 3/4 Woodruff Key (#606)		1
17	8670	Tilt-Up Hook	1	F076	3/8-16 x 5/8 SQH Set Screw		1
18	5162-12	Roller Wheel (5" Poly) (Includes Items # 19, F013 & F059)	2	F136	AN960C416L Washer		16
19	8490	Roller Wheel Axle Bolt	2	F202	10-24 x 5/8 SHC Screw, GR5 SS		4
20	7703-1	Replaceable Wear Edge	2	F206	#2 x 3/16 Drive Pin		2
21	NS	Deck Serial Number Plate	1	F246	1/4-20 x 1/2 PTHMS		2
22	7705-20	Blade 25", Mulch	2	F278	3/8 Split Lock Washer		4
	7705-21	48 DML Blade Set With Hubs (Includes Items # 22, 23, F202 & F568)	*	F318	3/8-16 x 3/4 SQH Set Screw		1
23	5706-6	Mulch Blade Hub	2	F403	1/4-20 x 1/2 PTHMS, SS		2
24	7775-1	Hitch Pin, LH (Silver) #6	2	F517	Washer 3/8 x 1-1/8 x 1/8		4
				F553	1/4-20 x 1 Hex Bolt W/Loctite		4
				F554	1/4-20 x 7/8 Hex Bolt W/Loctite		12
				F568	10-24 Flange Top Lock Nut		4
				F601	1/4-20 x 3/8 Torx Button Head		8
				F602	1/4-20 x 1/4 T-Nut		8
				* Service Part Only			

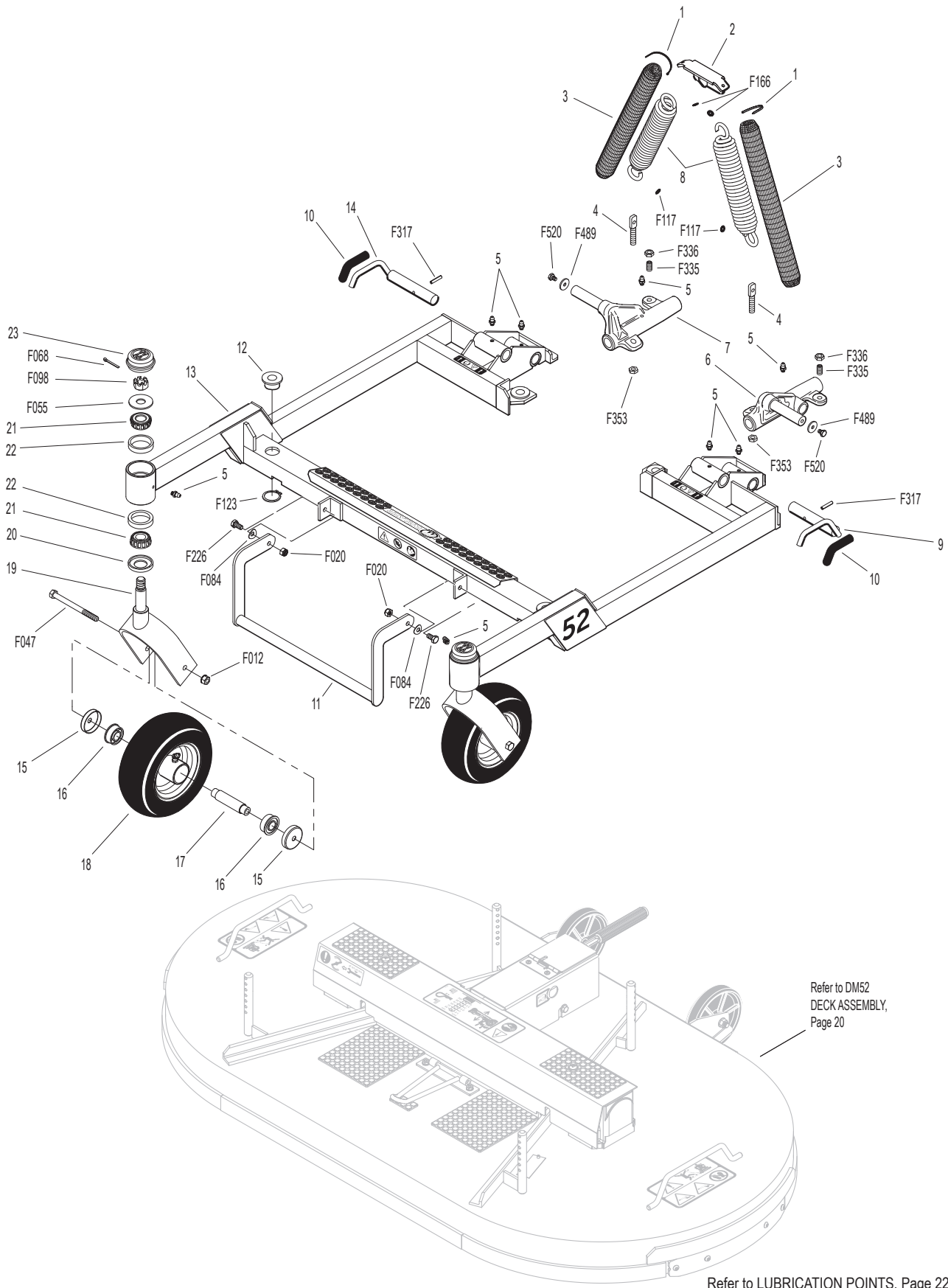
DM48 DECK ASSEMBLY



52 INCH COMPLETE CARRIER FRAME ASSEMBLY

ITEM NO.	PART NO.	DESCRIPTION	NO. REQ'D	ITEM NO.	PART NO.	DESCRIPTION	NO. REQ'D
Spring and Pivot Mount Components				Fasteners			
1	5975-3	Cable Tie (50# x 7")	4	F012		3/8-16 Keps Nut	2
2	5744-1	Spring Clip Bracket	1	F020		5/16-18 ESNA Nut	2
3	5743-1	Spring Cover	2	F047		3/8-16 x 4-1/2 Hex Bolt	2
4	5743-3	Eyebolt (3/8-16 x 2)	2	F055		5/8 SAE Washer	2
5	5830	Grease Fitting	8	F068		1/8 x 1 Cotter Pin	2
6	8667-3	Pivot Mount Assembly, LH/Adj. (Includes Items # 5, F353, F489 & F520)	*	F084		5/16 Wave Spring Washer	2
7	8667-4	Pivot Mount Assembly, RH/Adj. (Includes Items # 5, F353, F489 & F520)	*	F098		5/8-18 Slotted Hex Nut	2
8	5743-6	Extension Spring (1-1/2 x 7-3/4) (Includes Items # 1, F117 & F166)	2	F117		Retainer Ring	2
				F123		1" External Snap Ring	4
				F166		Retainer Ring	2
				F226		5/16-18 x 7/8 Hex Bolt	2
				F317		3/16 x 1 Split Spring Pin	2
				F335		3/8-16 x 7/8 Set Screw, SS	2
				F336		3/8-16 Jam Nut	2
				F353		3/8-16 ESNA LP Nut	2
				F489		Washer 1/4 x 7/8 x .090	2
				F520		1/4-28 x 3/8 Hex Bolt	2
Carrier Frame Components				* Service Part Only			
9	8674-11	Lever, Deck Lock, LH	1				
10	7406-1	Handle Grip (Red)	2				
11	8669-4	52GHS Lift Handle	1				
12	5740-2	Deck Pin Bushing (5/8)	4				
13	8811-3	52" Carrier Frame (Less Pivots)	1				
	8811-2	52" Carrier Frame W/Forks (Less Pivots) (Includes Items # 19-21, 23, F055, F068 & F098)	*				
14	8674-10	Lever, Deck Lock, RH	1				
Caster Wheel Components							
15	8769-11	Bearing Cup (3/8 ID)	4				
16	5714-11	Bearing	4				
17	5714-10	Axle Tube (3.417)	2				
18	5715-23	Caster Wheel & Tire/No-Flat (8 x 3.00-4) W/Cups (Includes Items # 15-17)	2				
	5715-16	Tire, Caster Wheel/No-Flat (8 x 3.00-4)	*				
19	5770-1	Caster Wheel Fork	2				
20	8768-1	Seal (1-3/4 x 1-1/8)	2				
21	8037	Bearing Cone (3/4 ID)	4				
22	8769-1	Bearing Cup (1-3/4 x 1-7/16)	4				
23	8769-10	Dust Cap, Deck Caster	2				

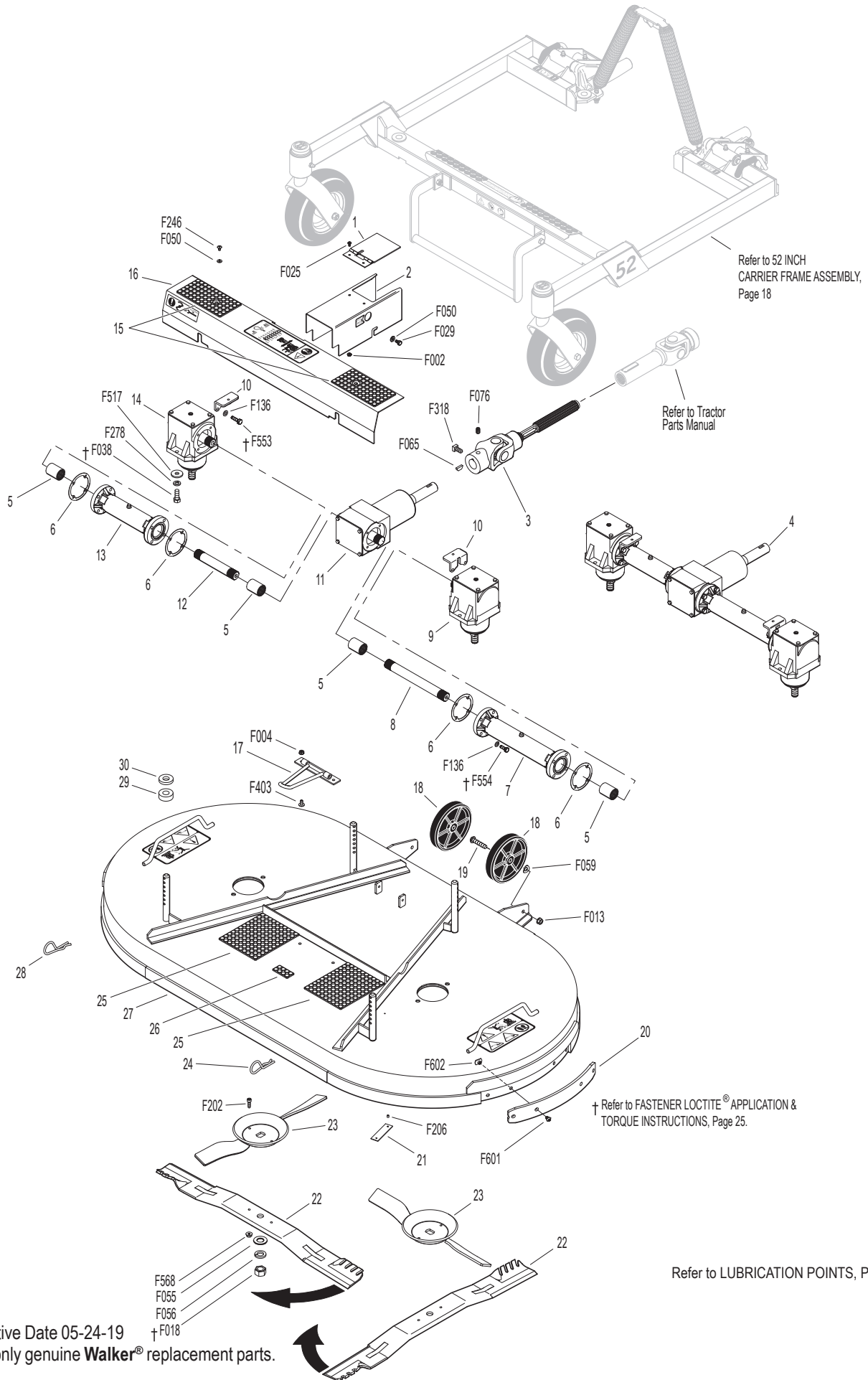
52 INCH COMPLETE CARRIER FRAME ASSEMBLY



DM52 DECK ASSEMBLY

ITEM NO.	PART NO.	DESCRIPTION	NO. REQ'D	ITEM NO.	PART NO.	DESCRIPTION	NO. REQ'D
Gearbox and Drive Components				25	8735-10	Rubber Mat (5 x 6)	2
1	8618-1	Cover, PTO Shaft Guard	1	26	8788-1	Rubber Mat (1 x 2)	1
2	8619-3	PTO Shaft Guard	1	27	8810-4	52 DML Deck Housing (Includes Items # 25 & 26)	1
	8618-4	PTO Shaft Guard Assembly (Includes Items # 1, 2, F002 & F025)	*	28	7775-2	Hitch Pin, RH (Gold) #6	2
3	7285-5	U-Joint Shaft Assembly, Splined (Keyed) (Includes Items # F065, F076 & F318)	1	29	7434-1	Washer 1-3/8 x 5/8-1/2 Thick	4
4	6711-51	HD Gearbox and Tube Assembly (Includes Items # 6-14, F136, F553 & F554)	1	30	5727-1	Washer Shim (5/8 ID)	4
5	6054	Spline Coupling	4	Fasteners			
6	P007	Gasket, Cap (Peerless #788030)	4	F002	10-24 Keps Nut		2
7	5068-3	Gearbox Connector Tube (10-5/16)	1	F004	1/4-20 Keps Nut		2
8	6733-10	Connecting Shaft (8-1/32)	1	F013	3/8-16 Whiz Locknut		2
9	5052-13	HD Gearbox (1:1) CCW/CCW	1	F018	5/8-18 Hex Nut		2
10	5704-1	Gearbox Cover Support	2	F025	10-24 x 3/8 PPHMS		2
11	7751-18	HD Tee Gearbox (1:2:1) CW-CCW & CW	1	F029	1/4-20 x 1/2 Hex Bolt		2
12	6733-4	Connecting Shaft (5-5/16)	1	F038	3/8-16 x 1 Hex Bolt		4
13	5065	Gearbox Connector Tube (7-11/16)	1	F050	1/4 SAE Washer		4
14	5053-3	HD Gearbox (1:1) CW-CCW	1	F055	5/8 SAE Washer		2
15	5747-12	Rubber Mat (3 x 6)	2	F056	5/8 Split Lock Washer		2
16	6786-2	52" Gearbox Cover (Includes Item # 15)	1	F059	3/8 Wave Spring Washer		2
Deck Housing Components				F065	3/16 x 3/4 Woodruff Key (#606)		1
17	8670-9	Tilt-Up Hook	1	F076	3/8-16 x 5/8 SQH Set Screw		1
18	5162-12	Roller Wheel (5" Poly) (Includes Items # 19, F013 & F059)	2	F136	AN960C416L Washer		16
19	8490	Roller Wheel Axle Bolt	2	F202	10-24 x 5/8 SHC Screw, GR5 SS		4
20	7703-2	Replaceable Wear Edge	2	F206	#2 x 3/16 Drive Pin		2
21	NS	Deck Serial Number Plate	1	F246	1/4-20 x 1/2 PTHMS		2
22	7705-33	Blade 27", Mulch	2	F278	3/8 Split Lock Washer		4
	7705-39	52 DML Blade Set With Hubs (Includes Items # 22, 23, F202 & F568)	*	F318	3/8-16 x 3/4 SQH Set Screw		1
23	5706-6	Mulch Blade Hub	2	F403	1/4-20 x 1/2 PTHMS, SS		2
24	7775-1	Hitch Pin, LH (Silver) #6	2	F517	Washer 3/8 x 1-1/8 x 1/8		4
				F553	1/4-20 x 1 Hex Bolt W/Loctite		4
				F554	1/4-20 x 7/8 Hex Bolt W/Loctite		12
				F568	10-24 Flange Top Lock Nut		4
				F601	1/4-20 x 3/8 Torx Button Head		8
				F602	1/4-20 x 1/4 T-Nut		8
				* Service Part Only			

DM52 DECK ASSEMBLY



Effective Date 05-24-19
 Use only genuine Walker® replacement parts.

LUBRICATION POINTS

ITEM NO.	LOCATION	LUBRICATION TYPE	NO. PLACES	ITEM NO.	LOCATION	LUBRICATION TYPE	NO. PLACES
----------	----------	------------------	------------	----------	----------	------------------	------------

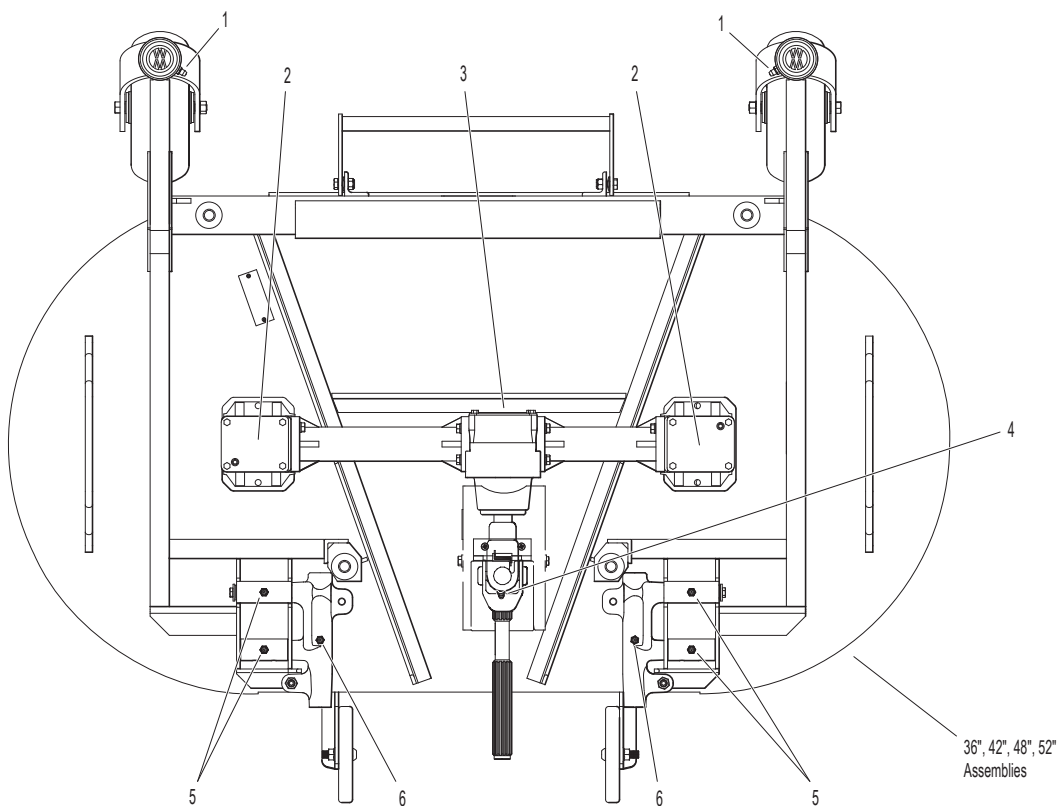
36", 42", 48", 52" Assemblies

1	Deck Caster Wheel Fork Pivot	Grease	2
2	Blade Drive Gearbox	Oil*	2
3	Tee Gearbox, Deck	Oil*	1
4	Universal Joint Shaft Assembly	Grease**	1
5	Pivot Assembly, Tilt-Up Deck	Grease	4
6	Deck Support Arm Socket	Grease	2

* Gearboxes are permanently lubricated and sealed requiring no scheduled lubrication. Oil level should be checked only when an oil leak is noted.

** Grease every 25 hours.

NOTE: Exact location of some Lubrication Points may vary slightly from those shown in the illustration. Model DM48 is shown for reference only; for further information on location of parts not shown here, refer to the parts listings for individual Carrier Frames and Deck Assemblies.



H24d, H27i AND H37i DECK ARM ADAPTER KIT

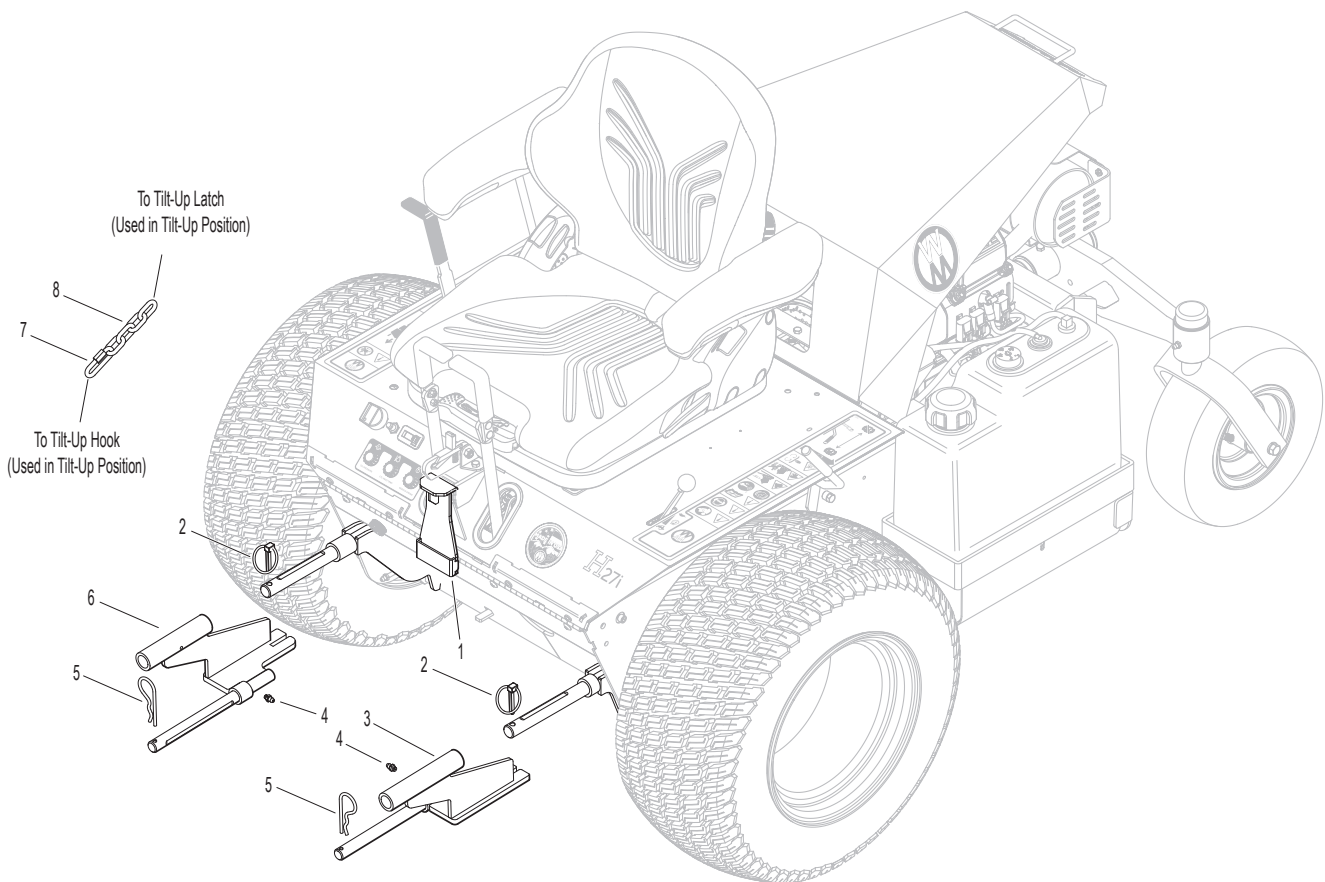
ITEM NO.	PART NO.	DESCRIPTION	NO. REQ'D	ITEM NO.	PART NO.	DESCRIPTION	NO. REQ'D
----------	----------	-------------	-----------	----------	----------	-------------	-----------

Kit 2430-10 Deck Arm Adapter Kit

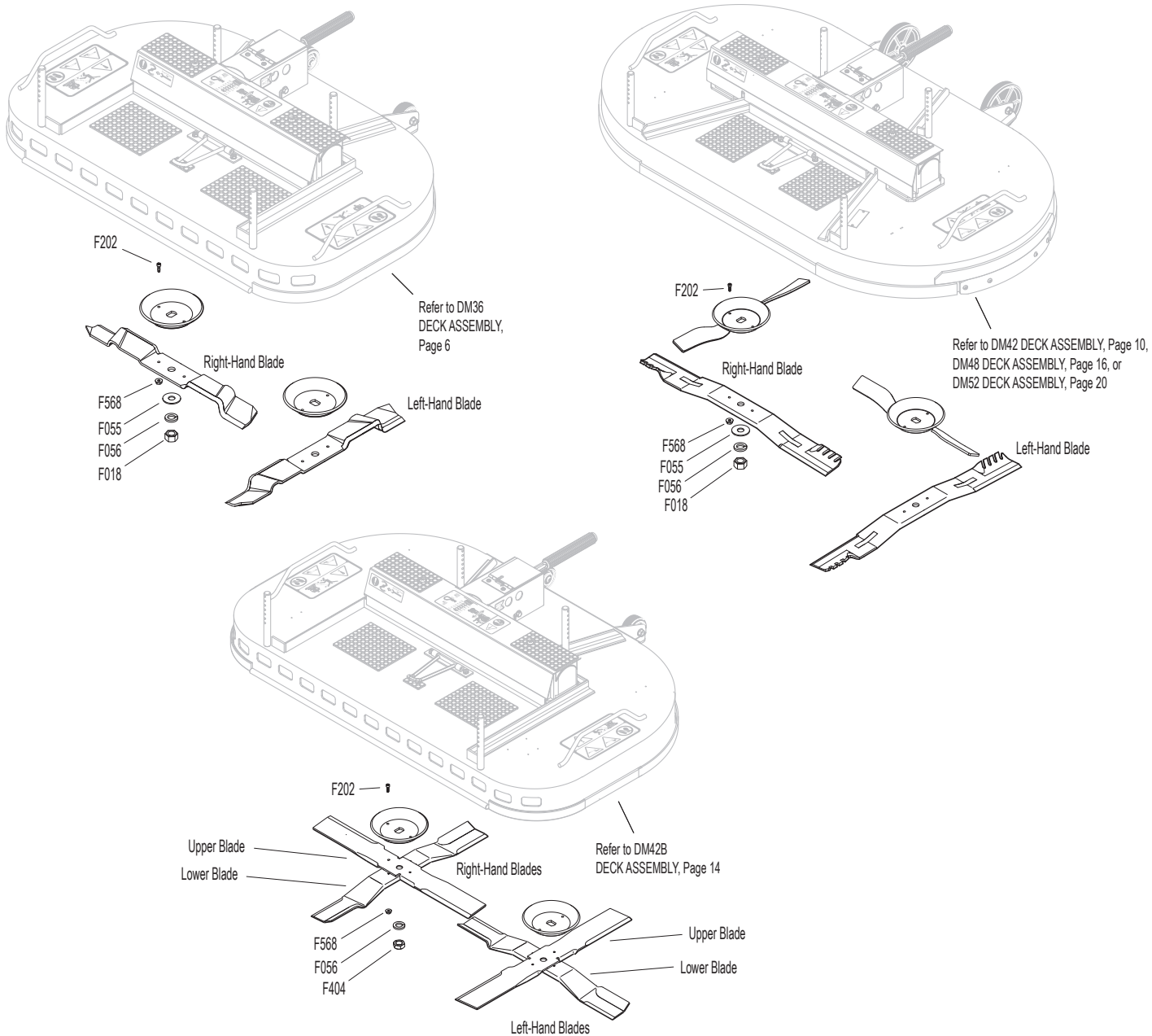
Includes Items # 1-8 and instructions. May be ordered as a kit for dealer installation. Contact your Walker dealer.

NOTE: Installation of 2430-10 on Walker Models H24d, H27i and H37i allows the use of the DM48 deck.

1	2744-2	Counter Weight Spring Extension	1
2	2775	Lynch Pin (5/16 x 1-1/4)	2
3	2431-1	Deck Arm Adapter, LH	1
4	5830-6	Grease Fitting (5/16-24)	2
5	5775-2	Hitch Pin (#6)	2
6	2430-1	Deck Arm Adapter, RH	1
7	2744-4	1/4" Quick Link	1
8	2744-5	Chain	1



BLADE USAGE CHART



TWO BLADE DECKS	RH BLADE	LH BLADE	BLADE SET
DM36	5705-23	5705-23	
DM42	7705-25	7705-25	5705-27**
DM42B	5705-11 (Upper Blade) 5705-10 (Lower Blade)	5705-11 (Upper (Blade) 5705-10 (Lower Blade)	5705-12*
DM48	7705-20	7705-20	7705-21***
DM52	7705-33	7705-33	7705-39***

Right hand and left hand orientated with operator on seat.

* Blade set includes 5706 (Blade Hub & Trash Guard), F202 & F568.

** Blade set includes 5706-7 (Mulch Blade Hub), F202 & F568.

*** Blade set includes 5706-6 (Mulch Blade Hub), F202 & F568.

FASTENER LOCTITE® APPLICATION & TORQUE INSTRUCTIONS

ITEM NO.	DESCRIPTION
----------	-------------

ITEM NO.	DESCRIPTION
----------	-------------

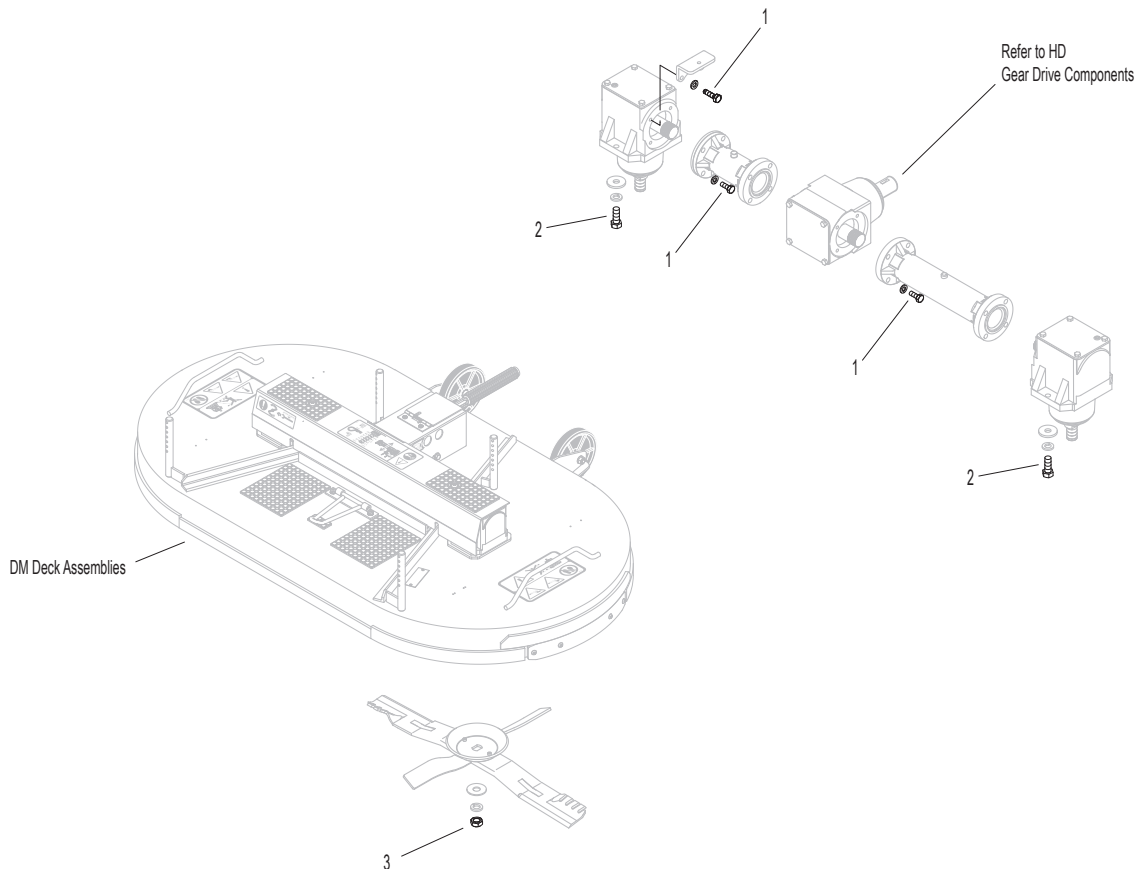
DM HD Gear Drive Assemblies

- Torque** P/N F553 (1/4-20 x 1 Hex Bolt W/Loctite, used on Gearbox Connector Tubes) and F554 (1/4-20 x 7/8 Hex Bolt W/Loctite, used on Gearbox Connector Tubes) to 115 lb·in. (13.0 N·m).
- Apply** Loctite® Threadlocker # 242 (Blue) to P/N F038 (3/8-16 x 1 Hex Bolt, used on Gearbox Mounting Hardware) prior to assembly. Torque to 115 lb·in. (13.0 N·m).

DM Deck Assemblies

- Torque** P/N F018 (5/8-18 Hex Nut) or F404 (5/8-18 Jam Nut, used on underside of blades) to 60 lb·ft (81.4 N·m). **DO NOT** apply Loctite®.

NOTE: Model DM48 is shown here. Refer to individual deck assemblies for exact locations and quantities of items listed above.



MAINTENANCE AND SERVICE RECORD SHEET

DATE	SERVICE ITEM	ENGINE HOURS

DECK / TRACTOR COMPATIBILITY CHART

	DM36	DM42	DM42B	DM48	DM52
B18	X	X	X	X	
B19	X	X	X	X	
B23i	X	X	X	X	X
B25p	X	X	X	X	X
S14 GHS	*	*	*		
S14i GHS	*	*	*		
S18 GHS	*	*	*	*	
C19 GHS	*	*	*	*	
C19i GHS	*	*	*	*	
T23 SD	X	X	X	X	X
T23 GHS	*	*	*	*	X
T25i SD	X	X	X	X	X
T25i GHS	*	*	*	*	X
T27i SD	X	X	X	X	X
T27i GHS	*	*	*	*	X
T30i SD	X	X	X	X	X
T30i GHS	*	*	*	*	X
D21d SD	X	X	X	X	X
D21d GHS	*	*	*	*	X
H24d				**	**
H27i				**	**
H37i				**	**
	<p>X Deck and tractor are fully compatible.</p> <p>* When using this deck on GHS tractors, installation of P/N 7541-1 (Blower Lockout Kit) is recommended. Contact your Walker dealer.</p> <p>** Decks that are compatible with Models H24d, H27i and H37i using Kit # 2430-10 (Deck Arm Adapter Kit).</p>				

LIMITED WARRANTY FOR WALKER COMMERCIAL RIDER MOWER

1. WHAT THIS WARRANTY COVERS, AND FOR HOW LONG:

Walker Manufacturing company will, at its option, repair or replace, without charge, any part covered by this warranty which is found to be defective in material and/or workmanship within two (2) years after the date of sale to the original retail purchaser unless the product is used for rental purposes, in which case this warranty is limited to ninety (90) days. At Walker's request, customer will make the defective part available for inspection by Walker and/or return the defective part to Walker, transportation charges prepaid. All parts and components of the Walker Mower are covered by this warranty.

2. WHAT THIS WARRANTY DOES NOT COVER:

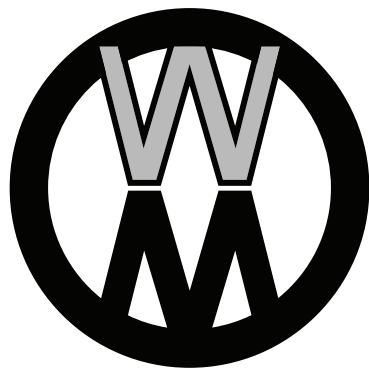
- A. This warranty does not cover defects caused by depreciation or damage caused by normal wear, accidents, improper maintenance, improper use or abuse of the product, alterations, or failure to follow the instructions contained in the Operator's Manual for operation and maintenance.
- B. The customer shall pay any charges for making service calls and/or for transporting the mower to and from the place where the inspection and/or warranty work is performed.

3. HOW TO OBTAIN SERVICE UNDER THIS WARRANTY:

Warranty service can be arranged by contacting the dealer where you purchased the mower or by contacting Walker Manufacturing Company, 5925 East Harmony Road, Ft. Collins, CO 80528. Proof of the date of purchase may be required to verify warranty coverage.

4. WARRANTY LIMITATION:

- A. **THERE IS NO OTHER EXPRESS WARRANTY. ANY WARRANTY THAT MAY BE IMPLIED FROM THIS PURCHASE INCLUDING MERCHANTABILITY AND FITNESS FOR A PARTICULAR PURPOSE IS HEREBY LIMITED TO THE DURATION OF THIS WARRANTY AND TO THE EXTENT PERMITTED BY LAW ANY AND ALL IMPLIED WARRANTIES ARE EXCLUDED.** Some states do not allow limitations on how long an implied warranty lasts, so the above limitations may not apply to you.
- B. **WALKER WILL NOT BE LIABLE FOR ANY INCIDENTAL, CONSEQUENTIAL, OR SPECIAL DAMAGES AND/OR EXPENSES IN CONNECTION WITH THE PURCHASE OR USE OF THE MOWER.** Some states do not allow the exclusion or limitation of incidental or consequential damages, so the above limitation(s) or exclusion(s) may not apply to you.
- C. Only the warranty expressed in this limited warranty shall apply and no dealer, distributor, or individual is authorized to amend, modify, or extend this warranty in any way. Accordingly, additional statements such as dealer advertising or presentations, whether oral or written, do not constitute warranties by Walker, and should not be relied upon.
- D. This warranty gives you specific legal rights, and you may also have other rights which vary from state to state.



WALKER

WALKER MFG. CO. • 5925 E. HARMONY ROAD, FORT COLLINS, CO 80528 • (970) 221-5614
FORM NO. 120319 PRINTED IN USA www.walker.com ©2019 WALKER MFG. CO