



WALKER

Illustrated Parts Manual

Collection Deck and Carrier Frame Assemblies

DC36R

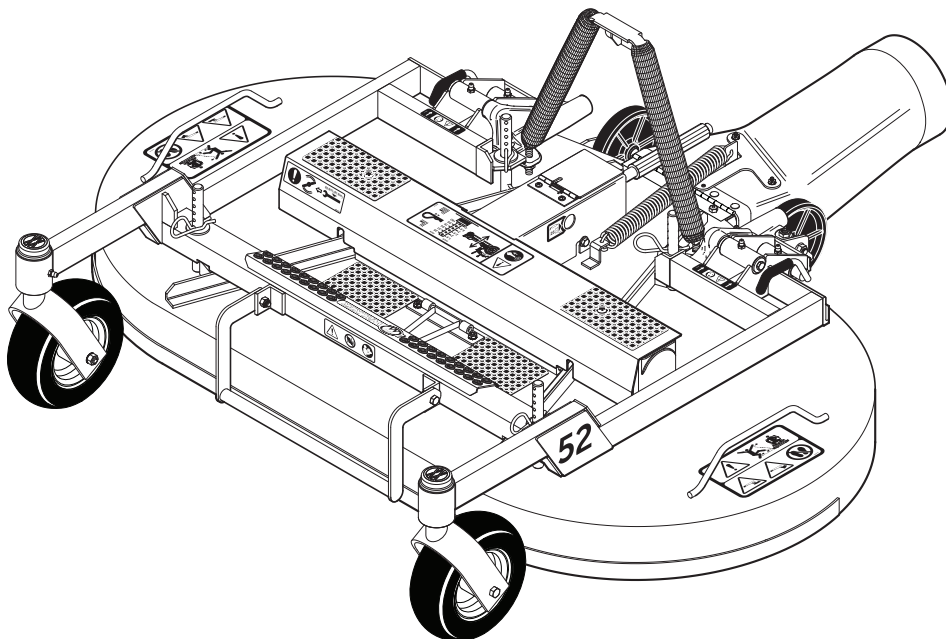
DC42

DC42R

DC48

DC48R

DC52R



Effective Date: 12.04.18
P/N 5000-47

KEY TO ABBREVIATIONS USED IN THIS MANUAL

<i>Abbreviation</i>	<i>What it Represents</i>
° (Dimension)	Degrees (Angle)
" (Dimension)	inches
(-)	Negative (Polarity)
(+)	Positive (Polarity)
AT	All-Terrain
CCW	Counter-clockwise
Conn	Connector
CW	Clockwise
D	Diameter
DC	Deck, Collection (number refers to size in inches)
DM	Deck, Mulching (number refers to size in inches)
DR	Deck, Rear Discharge (number refers to size in inches)
DS	Deck, Side Discharge (number refers to size in inches)
DU	Garlock (Bearing)
ESNA (Fastener)	Nylon Insert Locknut
FSC	Forward Speed Control
GA	Gauge
gal	gallon
GHS	Grass Handling System
GR (Fastener)	Grade
HD	Heavy Duty
HP	Horse Power
ID	Identification or Inside Diameter
L	Length
LH	Left Hand (orientated with operator on seat)
LP	Low Profile
mm (Dimension)	millimeters
MS (Fastener)	Machine Screw
NS (as part number)	Item is not sold by Walker Manufacturing
OD	Outside Diameter
oz	ounce
PFH (Fastener)	Phillips Flat Head
P/N	Part Number
PPH (Fastener)	Phillips Pan Head
PTH (Fastener)	Phillips Truss Head
PTO	Power Take-Off
QKS	Quick Slide
qt	quart
RH	Right Hand (orientated with operator on seat)
SAE (Fastener)	Society of Automotive Engineers
SBH (Fastener)	Socket Button Head (Bolt)
SD	Side Discharge
SFH (Fastener)	Slotted Flat Head
SHC (Fastener)	Socket Head Cap
SHL (Fastener)	Shoulder (Bolt)
SM (Fastener)	Sheet Metal (Screw)
S/N	Serial Number
Spg	Spring
SQH (Fastener)	Square Head
SS (Fastener)	Stainless Steel
ST (Fastener)	Self-Tapping (Screw)
Term	Terminal
V	Volts

NOTE: In some instances, combinations of abbreviations may be used (e.g. PPHMS - Phillips Pan Head Machine Screw).

ILLUSTRATED PARTS LIST

<i>Section of Deck Covered</i>	<i>Page</i>	<i>Section of Deck Covered</i>	<i>Page</i>
Decals & Paint		Maintenance	
36", 42", 48" & 52" Deck Decals / Touch-Up Paint	2	Fastener Loctite® Application & Torque Instructions	28
Deck and Carrier Frame Assemblies		Lubrication Points	30
36R Inch Complete Carrier Frame Assembly	4	Blade Usage Chart.....	31
DC36R Deck Assembly.....	6	Maintenance And Service Record Sheet.....	32
42 Inch Complete Carrier Frame Assembly.....	8	Deck / Tractor Compatibility Chart.....	32
DC42 Deck Assembly	10		
42R Inch Complete Carrier Frame Assembly	12	Warranty	
DC42R Deck Assembly.....	14	Limited Warranty.....	33
48 Inch Complete Carrier Frame Assembly.....	16		
DC48 Deck Assembly	18		
48R Inch Complete Carrier Frame Assembly	20		
DC48R Deck Assembly	22		
52R Inch Complete Carrier Frame Assembly	24		
DC52R Deck Assembly.....	26		

36", 42", 48" & 52" DECK DECALS / TOUCH-UP PAINT

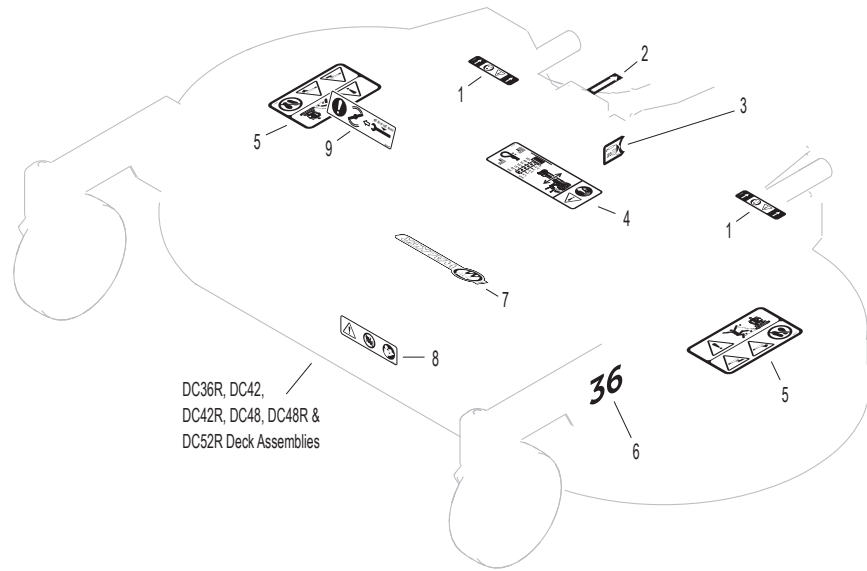
ITEM NO.	PART NO.	DESCRIPTION	LOCATION	NO. REQ'D
DC36R, DC42, DC42R, DC48, DC48R & DC52R Deck Decals				
1	8600-15	Caution, Pivot Joint	Carrier Frame	2
2	6875	PTO Alignment Arrow	Universal Joint Shaft Assembly	1
3	5846-1	Grease Fitting	PTO Shaft Guard	1
4	8600-39	Cutting Height Adjustment	Gearbox Cover	1
5	8600-28	Danger, Rotating Blades	Deck Housing (one on each end)	2
6	8821-14	Decal (36")	Carrier Frame	1
	8821-15	Decal (42")	Carrier Frame	1
	8821-16	Decal (48")	Carrier Frame	1
	8821-17	Decal (52")	Carrier Frame	1
7	5809-2	Decal, Walker	Carrier Frame	1
8	8600-14	Danger, Tilt-Up	Carrier Frame, Front	1
9	8600-9	Blade Mounting Torque	Gearbox Cover	1

Touch-Up Paint

10	5866	Touch-Up Paint, Yellow (12 oz. Aerosol)		
----	------	---	--	--

NOTE: All parts requiring decals are shipped with decals applied.

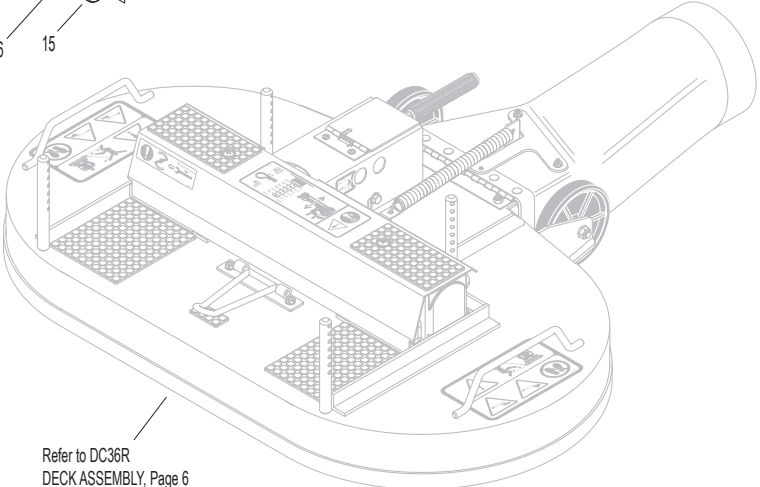
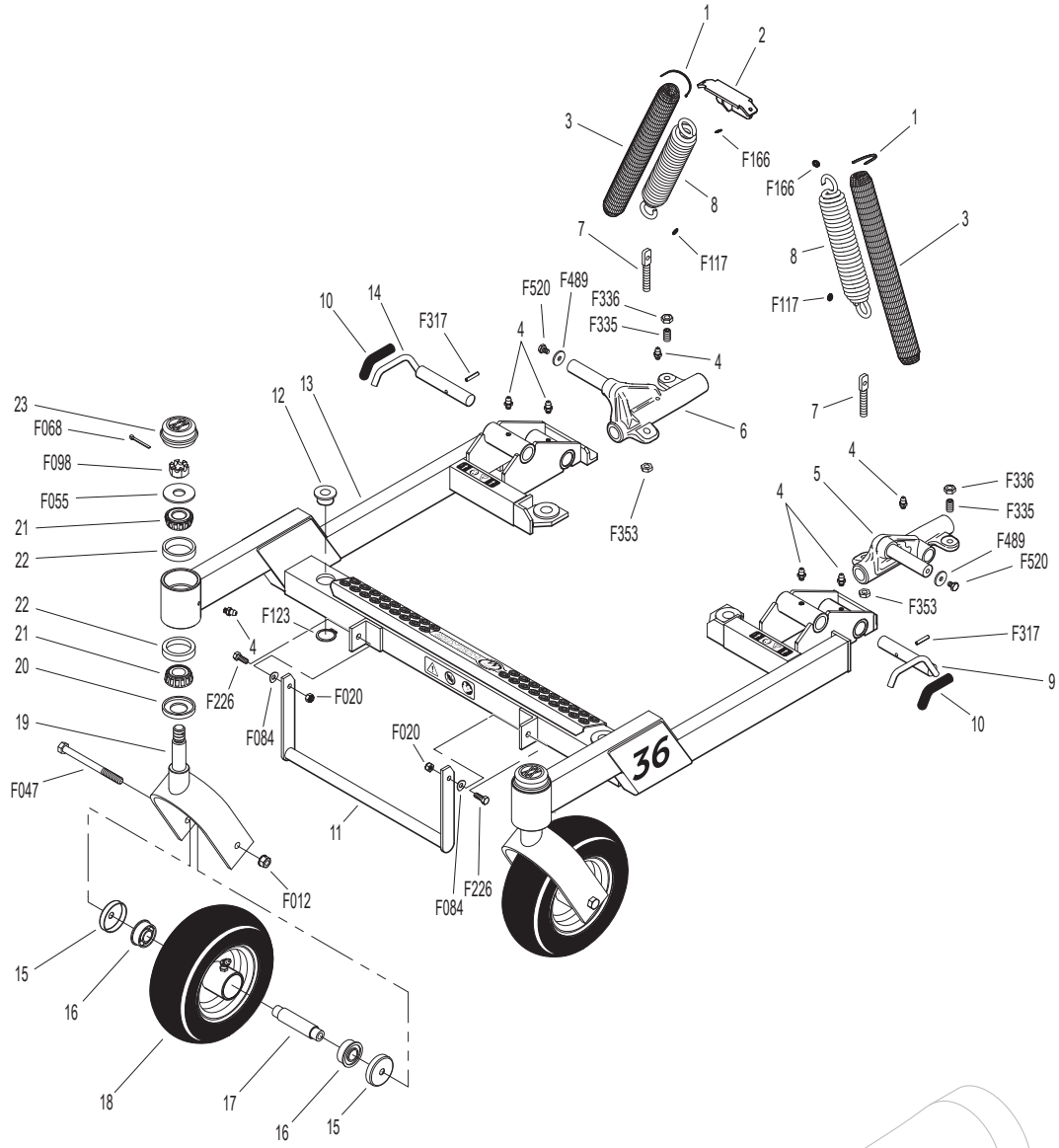
36", 42", 48" & 52" DECK DECALS / TOUCH-UP PAINT



36R INCH COMPLETE CARRIER FRAME ASSEMBLY

ITEM NO.	PART NO.	DESCRIPTION	NO. REQ'D	ITEM NO.	PART NO.	DESCRIPTION	NO. REQ'D
Spring and Pivot Mount Components				Fasteners			
1	5975-3	Cable Tie (50# x 7")	4	F012		3/8-16 Keps Nut	2
2	5744-1	Spring Clip Bracket	1	F020		5/16-18 ESNA Nut	2
3	5743-1	Spring Cover	2	F047		3/8-16 x 4-1/2 Hex Bolt	2
4	5830	Grease Fitting	8	F055		5/8 SAE Washer	2
5	8667-3	Pivot Mount Assembly, LH/Adj. (Includes Items # 4, F353, F489 & F520)	*	F068		1/8 x 1 Cotter Pin	2
6	8667-4	Pivot Mount Assembly, RH/Adj. (Includes Items # 4, F353, F489 & F520)	*	F084		5/16 Wave Spring Washer	2
7	5743-4	Eyebolt (3/8-16 x 2-3/4)	2	F098		5/8-18 Slotted Hex Nut	2
8	5743-8	Extension Spring (1-1/2 x 7-3/4) (Includes Items # 1, F117 & F166)	2	F117		Retainer Ring	2
				F123		1" External Snap Ring	4
				F166		Retainer Ring	2
				F226		5/16-18 x 7/8 Hex Bolt	2
				F317		3/16 x 1 Split Spring Pin	2
				F335		3/8-16 x 7/8 Set Screw, SS	2
				F336		3/8-16 Jam Nut	2
				F353		3/8-16 ESNA LP Nut	2
				F489		Washer 1/4 x 7/8 x .090	2
				F520		1/4-28 x 3/8 Hex Bolt	2
Carrier Frame Components				* Service Part Only			
9	8674-11	Lever, Deck Lock, LH	1				
10	7406-1	Handle Grip (Red)	2				
11	8669	Lift Handle	1				
12	5740-2	Deck Pin Bushing (5/8)	4				
13	5708-6	36" Carrier Frame (Less Pivots)	1				
	5708-1	36" Carrier Frame W/Forks (Less Pivots) (Includes Items # 19-21, 23, F055, F068 & F098)	*				
14	8674-10	Lever, Deck Lock, RH	1				
Caster Wheel Components							
15	8769-11	Bearing Cup (3/8 ID)	4				
16	5714-11	Bearing	4				
17	5714-10	Axle Tube (3.417)	2				
18	5715-23	Caster Wheel & Tire/No-Flat (8 x 3.00-4) W/Cups (Includes Items # 15-17)	2				
	5715-16	Tire, Caster Wheel/No-Flat (8 x 3.00-4)	*				
19	5770-1	Caster Wheel Fork	2				
20	8768-1	Seal (1-3/4 x 1-1/8)	2				
21	8037	Bearing Cone (3/4 ID)	4				
22	8769-1	Bearing Cup (1-3/4 x 1-7/16)	4				
23	8769-10	Dust Cap, Deck Caster	2				

36R INCH COMPLETE CARRIER FRAME ASSEMBLY



Refer to DC36R
DECK ASSEMBLY, Page 6

Refer to LUBRICATION POINTS, Page 30.

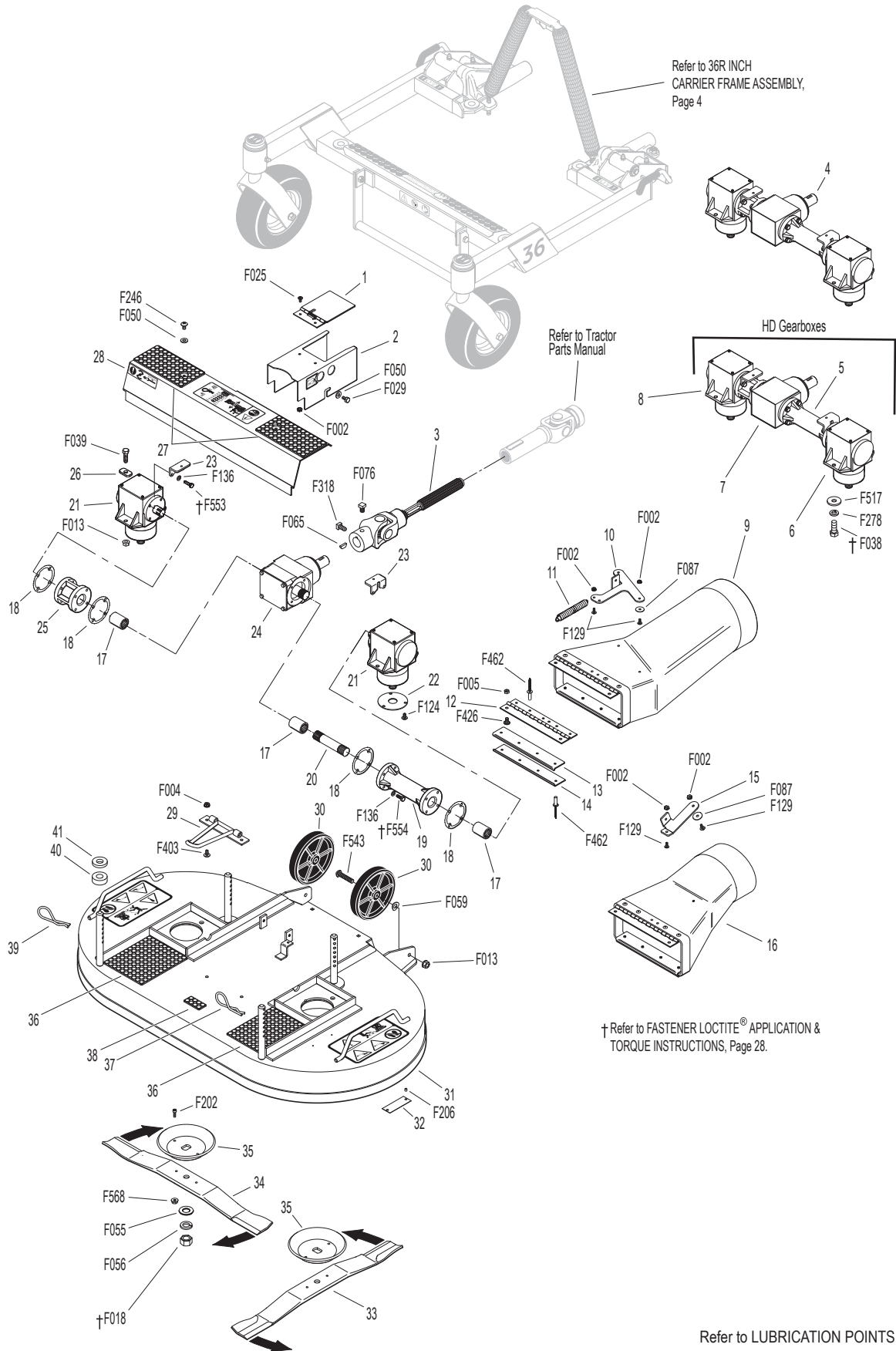
DC36R DECK ASSEMBLY

INCL. OPTIONAL HD GEARBOXES

ITEM NO.	PART NO.	DESCRIPTION	NO. REQ'D	ITEM NO.	PART NO.	DESCRIPTION	NO. REQ'D
Gearbox and Drive Components				35	5706	Blade Hub & Trash Guard	2
1	8618-1	Cover, PTO Shaft Guard	1	36	8735-10	Rubber Mat (5 x 6)	2
2	8619	PTO Shaft Guard	1	37	7775-1	Hitch Pin, LH (Silver) #6	2
	8618	PTO Shaft Guard Assembly (Includes Items # 1, 2, F002 & F025)	*	38	8788-1	Rubber Mat (1 x 2)	1
3	5285-5	U-Joint Shaft Assembly (90 Degree) Spline, Keyed (Includes Items # F065, F076 & F318)	1	39	7775-2	Hitch Pin, RH (Gold) #6	2
4	6704-54	Gearbox and Tube Assembly (Includes Items # 17-25, F124, F136, F553 & F554)	*	40	7434-1	Washer 1-3/8 x 5/8-1/2 Thick	4
5	6711-1	HD Gearbox and Tube Assembly (Includes Items # 6-8, 17-20, 23, 25, F136, F553 & F554)	**	41	5727-1	Washer Shim (5/8 ID)	4
6	5053-9	Gearbox, HD (1:1.2) CW-CW	**	Fasteners			
7	5051-5	HD Tee Gearbox (1:1) CW-CW & CCW	**	F002	10-24 Keps Nut		6
8	5052-9	Gearbox, HD (1:1.2) CCW-CCW	**	F004	1/4-20 Keps Nut		2
9	5794	Discharge Chute W/O Spring Mount (Includes Items # 12-14 & F462)	1	F005	1/4-20 ESNA Nut		2
	5794-1	Discharge Chute With Spring Mount (Includes Items # 9, 10, 12-14 & F462)	*	F013	3/8-16 Whiz Locknut		6
10	8678	Spring Mount, Chute	1	F018	5/8-18 Hex Nut		2
11	8677	Extension Spring (1 x 6-1/16)	1	F025	10-24 x 3/8 PPHMS		2
12	5726	Chute Hinge (2 x 8)	1	F029	1/4-20 x 1/2 Hex Bolt		2
13	5755-2	Chute Lip, Top	1	F038	3/8-16 x 1 Hex Bolt		4***
14	5755-3	Chute Lip, Bottom	1	F039	3/8-16 x 1-1/4 Hex Bolt		4
15	8678-4	Spring Mount, Chute	1 ^Δ	F050	1/4 SAE Washer		4
16	5794-3	Discharge Chute With Spring Mount (Includes Items # 12-15 & F462)	1 ^Δ	F055	5/8 SAE Washer		2
17	6054	Spline Coupling	3	F056	5/8 Split Lock Washer		2
18	P007	Gasket, Cap (Peerless #788030)	4	F059	3/8 Wave Spring Washer		2
19	5065	Gearbox Connector Tube (7-11/16)	1	F065	3/16 x 3/4 Woodruff Key (#606)		1
20	6733-4	Connecting Shaft (5-5/16)	1	F076	3/8-16 x 5/8 SQH Set Screw		1
21	5052-11	Gearbox, LH (1:1.2)	2	F087	#10 x 7/8 Fender Washer		2
22	5706-4	Seal Protector Plate	2 ^{ΔΔ}	F124	10-32 x 3/8 Taptite Machine Screw		6
23	5704-1	Gearbox Cover Support	2	F129	10-24 x 1/2 PTHMS		4
24	5051-2	Tee Gearbox, Keyed (7/8" Dia. Shaft)	1	F136	AN960C416L Washer		16
25	5060	Gearbox Connector Tube (2-5/16)	1	F202	10-24 x 5/8 SHC Screw, GR5 SS		4
26	5052-3	1.375 x .750 x .187 Washer	4 ^{ΔΔ}	F206	#2 x 3/16 Drive Pin		2
27	5747-11	Rubber Mat (3 x 6)	2	F246	1/4-20 x 1/2 PTHMS		2
28	5746-6	36 Gearbox Cover (Includes Item # 27)	1	F278	3/8 Split Lock Washer		4***
Deck Housing Components				F318	3/8-16 x 3/4 SQH Set Screw		1
29	8670	Tilt-Up Hook	1	F403	1/4-20 x 1/2 PTHMS, SS		2
30	5162-12	Roller Wheel (5" Poly) (Includes Items # F013, F059 & F543)	2	F426	1/4-20 x 1/2 Carriage Bolt		2
31	5710-6	DC36R Deck Housing (Includes Items # 36 & 38)	1	F462	3/16 x .468 (+/- .010) Semi-Tube Rivet		8
32	NS	Deck Serial Number Plate	1	F517	Washer 3/8 x 1-1/8 x 1/8		4***
33	5705-36	Blade, 19" (RH Rotation)	1	F543	3/8-16 x 1-1/2 BH Cap Screw		2
34	5705-35	Blade, 19" (LH Rotation)	1	F553	1/4-20 x 1 Hex Bolt W/Loctite		4
				F554	1/4-20 x 7/8 Hex Bolt W/Loctite		12
				F568	10-24 Flange Top Lock Nut		4
				* Service Part Only			
				** Item(s) used on the HD version of standard gearboxes. The HD cast iron gearboxes are interchangeable with standard aluminum gearboxes.			
				*** Used on HD gearbox configuration.			
				Δ Item used on Model S14 only			
				ΔΔ Used on standard aluminum gearbox configuration.			

DC36R DECK ASSEMBLY

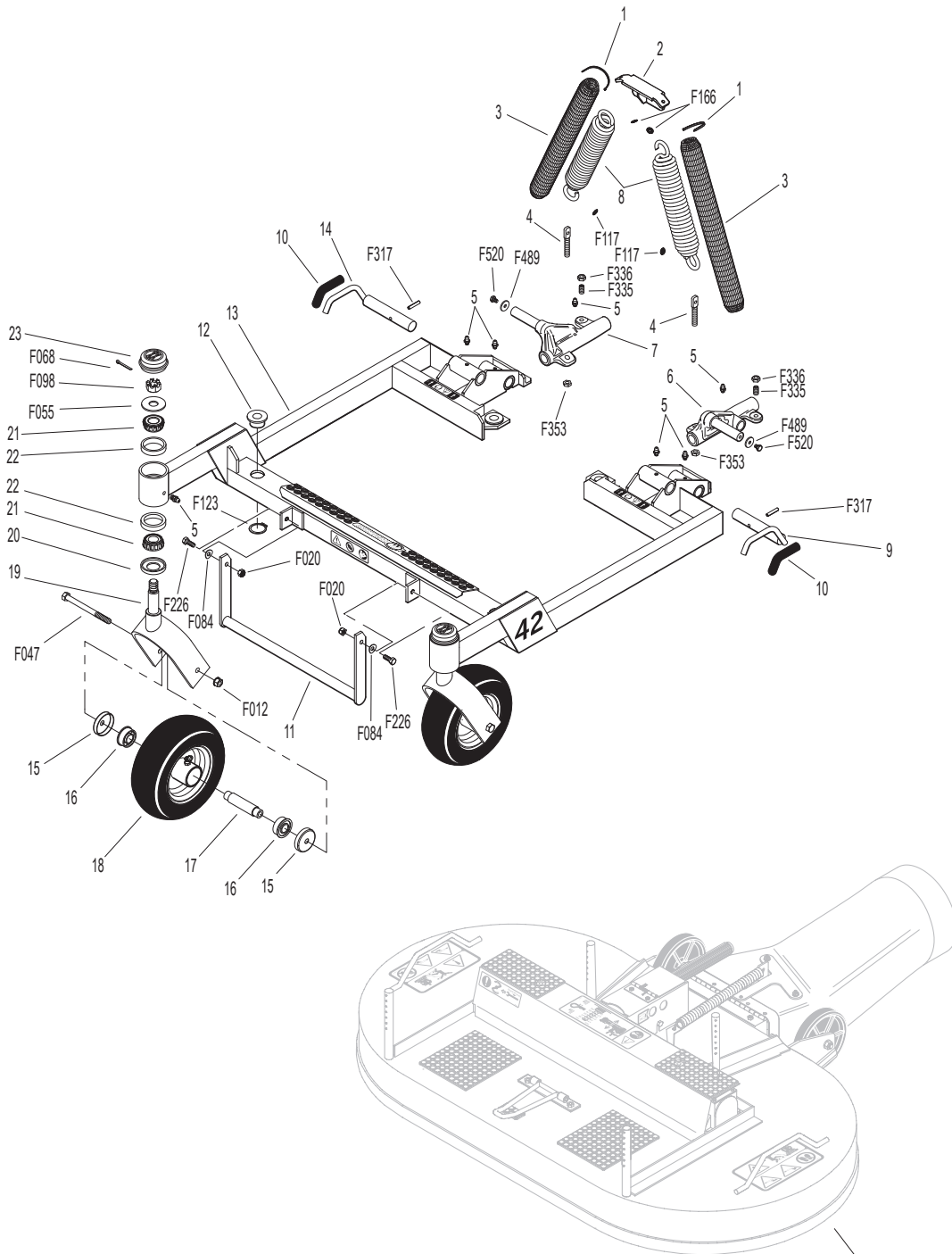
INCL. OPTIONAL HD GEARBOXES



42 INCH COMPLETE CARRIER FRAME ASSEMBLY

ITEM NO.	PART NO.	DESCRIPTION	NO. REQ'D	ITEM NO.	PART NO.	DESCRIPTION	NO. REQ'D
Spring and Pivot Mount Components				Fasteners			
1	5975-3	Cable Tie (50# x 7")	4	F012		3/8-16 Keps Nut	2
2	5744-1	Spring Clip Bracket	1	F020		5/16-18 ESNA Nut	2
3	5743-1	Spring Cover	2	F047		3/8-16 x 4-1/2 Hex Bolt	2
4	5743-4	Eyebolt (3/8-16 x 2-3/4)	2	F055		5/8 SAE Washer	2
5	5830	Grease Fitting	8	F068		1/8 x 1 Cotter Pin	2
6	8667-3	Pivot Mount Assembly, LH/Adj. (Includes Items # 5, F353, F489 & F520)	*	F084		5/16 Wave Spring Washer	2
7	8667-4	Pivot Mount Assembly, RH/Adj. (Includes Items # 5, F353, F489 & F520)	*	F098		5/8-18 Slotted Hex Nut	2
8	5743-8	Extension Spring (1-1/2 x 7-3/4) (Includes Items # 1, F117 & F166)	2	F117		Retainer Ring	2
				F123		1" External Snap Ring	4
				F166		Retainer Ring	2
				F226		5/16-18 x 7/8 Hex Bolt	2
				F317		3/16 x 1 Split Spring Pin	2
				F335		3/8-16 x 7/8 Set Screw, SS	2
				F336		3/8-16 Jam Nut	2
				F353		3/8-16 ESNA LP Nut	2
				F489		Washer 1/4 x 7/8 x .090	2
				F520		1/4-28 x 3/8 Hex Bolt	2
Carrier Frame Components				* Service Part Only			
9	8674-11	Lever, Deck Lock, LH	1				
10	7406-1	Handle Grip (Red)	2				
11	8669	Lift Handle	1				
12	5740-2	Deck Pin Bushing (5/8)	4				
13	8660-13	42" Carrier Frame (Less Pivots)	1				
	8660-12	42" Carrier Frame W/Forks (Less Pivots) (Includes Items # 19-21, 23, F055, F068 & F098)	*				
14	8674-10	Lever, Deck Lock, RH	1				
Caster Wheel Components							
15	8769-11	Bearing Cup (3/8 ID)	4				
16	5714-11	Bearing	4				
17	5714-10	Axle Tube (3.417)	2				
18	5715-23	Caster Wheel & Tire/No-Flat (8 x 3.00-4) W/Cups (Includes Items # 15-17)	2				
	5715-16	Tire, Caster Wheel/No-Flat (8 x 3.00-4)	*				
19	5770-1	Caster Wheel Fork	2				
20	8768-1	Seal (1-3/4 x 1-1/8)	2				
21	8037	Bearing Cone (3/4 ID)	4				
22	8769-1	Bearing Cup (1-3/4 x 1-7/16)	4				
23	8769-10	Dust Cap, Deck Caster	2				

42 INCH COMPLETE CARRIER FRAME ASSEMBLY



Refer to DC42
DECK ASSEMBLY, Page 10

Refer to LUBRICATION POINTS, Page 30.

DC42 DECK ASSEMBLY

INCL. OPTIONAL HD GEARBOXES

ITEM NO.	PART NO.	DESCRIPTION	NO. REQ'D	ITEM NO.	PART NO.	DESCRIPTION	NO. REQ'D
Gearbox and Drive Components				36	8735-10	Rubber Mat (5 x 6)	2
1	8618-1	Cover, PTO Shaft Guard	1	37	7775-1	Hitch Pin, LH (Silver) #6	2
2	8619	PTO Shaft Guard	1	38	8788-1	Rubber Mat (1 x 2)	1
	8618	PTO Shaft Guard Assembly (Includes Items # 1, 2, F002 & F025)	*	39	5704-4	42 GHS Deck Housing (Includes Items # 36 & 38)	1
3	5285-5	U-Joint Shaft Assembly (90 Degree) Spline, Keyed (Includes Items # F065, F076 & F318)	1	40	7775-2	Hitch Pin, RH (Gold) #6	2
4	6704-8	Gearbox and Tube Assembly (Includes Items # 17-26, F124, F136, F553 & F554)	1	41	7434-1	Washer 1-3/8 x 5/8-1/2 Thick	4
5	6711-5	HD Gearbox and Tube Assembly (Includes Items # 6-8, 17-20, 23, 25, 26, F136, F553 & F554)	**	42	5727-1	Washer Shim (5/8 ID)	4
6	5052-13	Gearbox, HD (1:1) CCW-CCW	**	Fasteners			
7	5051-5	HD Tee Gearbox (1:1) CW-CW & CCW	**	F002	10-24 Keps Nut		6
8	5053-13	Gearbox, HD (1:1) CW-CW	**	F004	1/4-20 Keps Nut		2
9	5794	Discharge Chute W/O Spring Mount (Includes Items # 9, 12-14 & F462)	1	F005	1/4-20 ESNA Nut		2
	5794-1	Discharge Chute With Spring Mount (Includes Items # 9, 10, 12-14 & F462)	*	F013	3/8-16 Whiz Locknut		6
10	8678	Spring Mount, Chute	1	F018	5/8-18 Hex Nut		2
11	8677	Extension Spring (1 x 6-1/16)	1	F025	10-24 x 3/8 PPHMS		2
12	5726	Chute Hinge (2 x 8)	1	F029	1/4-20 x 1/2 Hex Bolt		2
13	5755-2	Chute Lip, Top	1	F038	3/8-16 x 1 Hex Bolt		4***
14	5755-3	Chute Lip, Bottom	1	F039	3/8-16 x 1-1/4 Hex Bolt		4
15	8678-4	Spring Mount, Chute	1 ^Δ	F050	1/4 SAE Washer		4
16	5794-3	Discharge Chute With Spring Mount (Includes Items # 12-15 & F462)	1 ^Δ	F055	5/8 SAE Washer		2
17	6054	Spline Coupling	4	F056	5/8 Split Lock Washer		2
18	P007	Gasket, Cap (Peerless #788030)	4	F059	3/8 Wave Spring Washer		2
19	5063	Gearbox Connector Tube (8-5/8)	1	F065	3/16 x 3/4 Woodruff Key (#606)		1
20	6733-3	Connecting Shaft (6-1/4)	1	F076	3/8-16 x 5/8 SQH Set Screw		1
21	5052-1	Gearbox (LH Rotation)	2	F087	#10 x 7/8 Fender Washer		2
22	5706-4	Seal Protector Plate	2 ^{ΔΔ}	F124	10-32 x 3/8 Taptite Machine Screw		6
23	5704-1	Gearbox Cover Support	2	F129	10-24 x 1/2 PTHMS		4
24	5051-2	Tee Gearbox, Keyed (7/8" Dia. Shaft)	1	F136	AN960C416L Washer		16
25	6733-1	Connecting Shaft (2")	1	F202	10-24 x 5/8 SHC Screw, GR5 SS		4
26	5062	Gearbox Connector Tube (4-3/8)	1	F206	#2 x 3/16 Drive Pin		2
27	5052-3	1.375 x .750 x .187 Washer	4 ^{ΔΔ}	F246	1/4-20 x 1/2 PTHMS		2
28	5747-11	Rubber Mat (3 x 6)	2	F278	3/8 Split Lock Washer		4***
29	5785-5	42" Gearbox Cover (Includes Item # 28)	1	F318	3/8-16 x 3/4 SQH Set Screw		1
Deck Housing Components				F403	1/4-20 x 1/2 PTHMS, SS		2
30	8670	Tilt-Up Hook	1	F426	1/4-20 x 1/2 Carriage Bolt		2
31	5162-12	Roller Wheel (5" Poly) (Includes Items # F013, F059 & F543)	2	F462	3/16 x .468 (+/- .010) Semi-Tube Rivet		8
32	NS	Deck Serial Number Plate	1	F517	Washer 3/8 x 1-1/8 x 1/8		4***
33	5705-3	Blade, 22" (RH Rotation)	1	F543	3/8-16 x 1-1/2 BH Cap Screw		2
34	5706	Blade Hub & Trash Guard	2	F553	1/4-20 x 1 Hex Bolt W/Loctite		4
35	5705-4	Blade, 22" (LH Rotation)	1	F554	1/4-20 x 7/8 Hex Bolt W/Loctite		12
	5705-8	42 GHS Blade Set With Hubs (Includes Items # 33-35, F202 & F568)	*	F568	10-24 Flange Top Lock Nut		4

* Service Part Only

** Item(s) used on the HD version of standard gearboxes. The HD cast iron gearboxes are interchangeable with standard aluminum gearboxes.

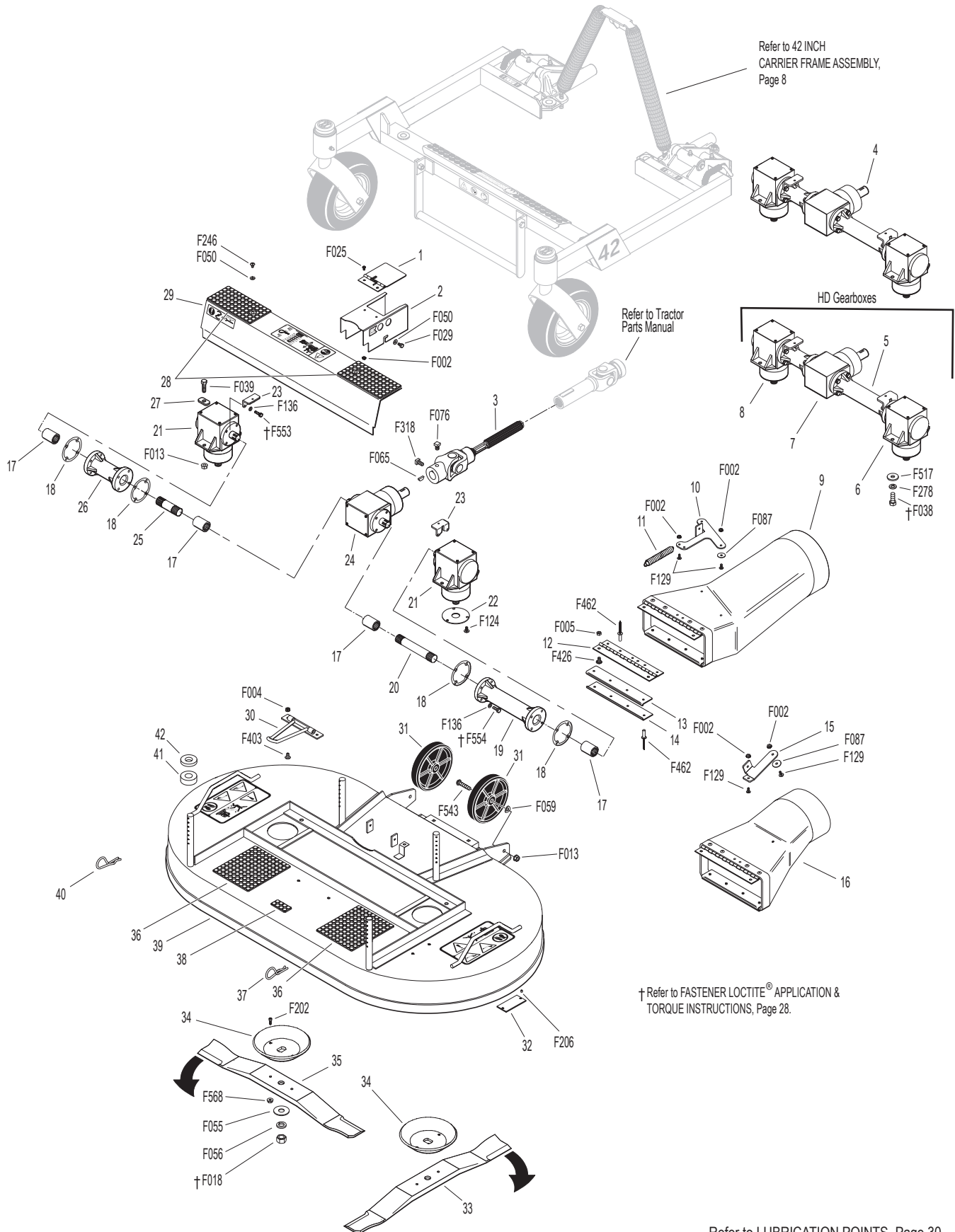
*** Used on HD gearbox configuration.

Δ Item used on Model S14 only

ΔΔ Used on standard aluminum gearbox configuration.

DC42 DECK ASSEMBLY

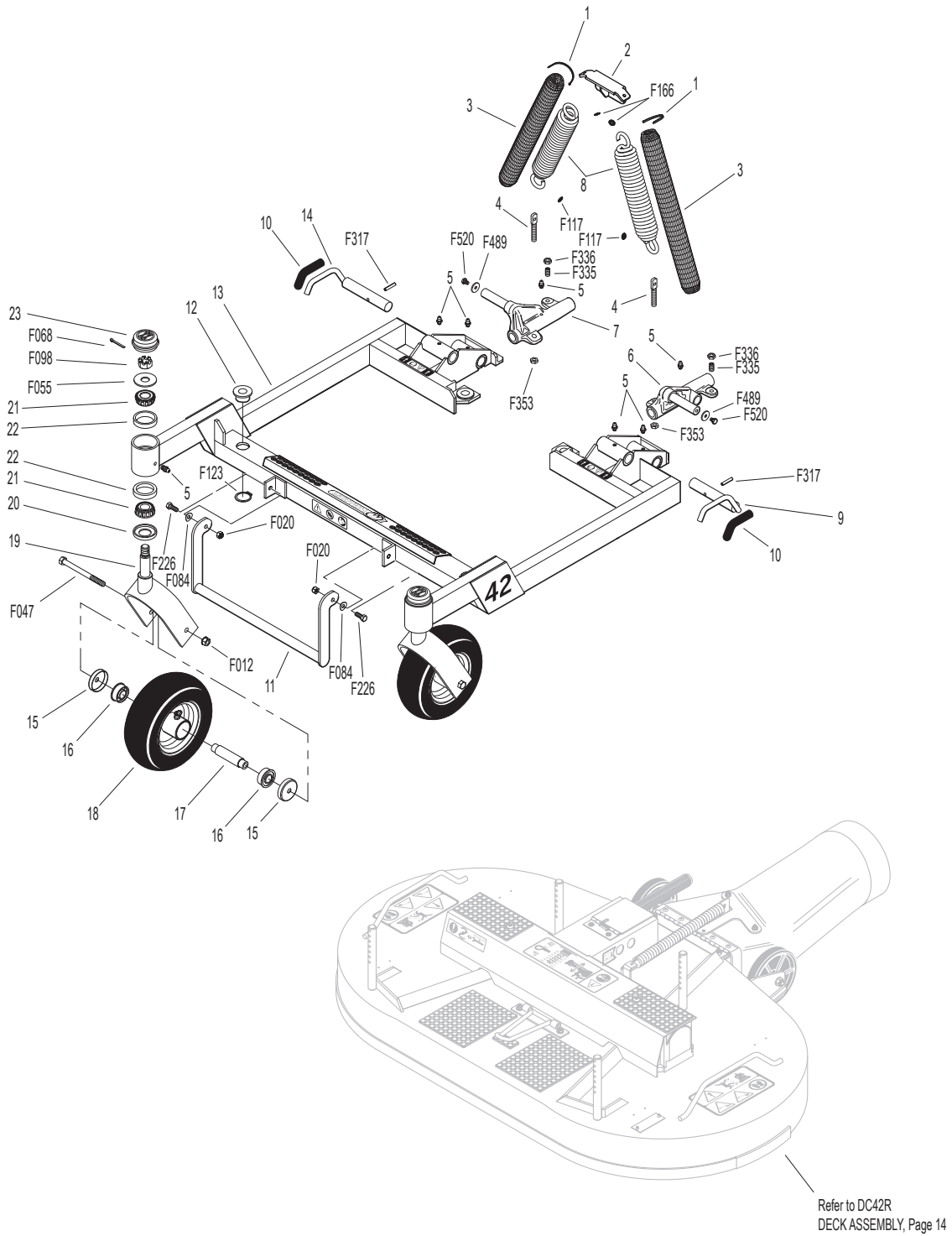
INCL. OPTIONAL HD GEARBOXES



42R INCH COMPLETE CARRIER FRAME ASSEMBLY

ITEM NO.	PART NO.	DESCRIPTION	NO. REQ'D	ITEM NO.	PART NO.	DESCRIPTION	NO. REQ'D
Spring and Pivot Mount Components				Fasteners			
1	5975-3	Cable Tie (50# x 7")	4	F012		3/8-16 Keps Nut	2
2	5744-1	Spring Clip Bracket	1	F020		5/16-18 ESNA Nut	2
3	5743-1	Spring Cover	2	F047		3/8-16 x 4-1/2 Hex Bolt	2
4	5743-4	Eyebolt (3/8-16 x 2-3/4)	2	F055		5/8 SAE Washer	2
5	5830	Grease Fitting	8	F068		1/8 x 1 Cotter Pin	2
6	8667-3	Pivot Mount Assembly, LH/Adj. (Includes Items # 5, F353, F489 & F520)	*	F084		5/16 Wave Spring Washer	2
7	8667-4	Pivot Mount Assembly, RH/Adj. (Includes Items # 5, F353, F489 & F520)	*	F098		5/8-18 Slotted Hex Nut	2
8	5743-8	Extension Spring (1-1/2 x 7-3/4) (Includes Items # 1, F117 & F166)	2	F117		Retainer Ring	2
				F123		1" External Snap Ring	4
				F166		Retainer Ring	2
				F226		5/16-18 x 7/8 Hex Bolt	2
				F317		3/16 x 1 Split Spring Pin	2
				F335		3/8-16 x 7/8 Set Screw, SS	2
				F336		3/8-16 Jam Nut	2
				F353		3/8-16 ESNA LP Nut	2
				F489		Washer 1/4 x 7/8 x .090	2
				F520		1/4-28 x 3/8 Hex Bolt	2
Carrier Frame Components				* Service Part Only			
9	8674-11	Lever, Deck Lock, LH	1				
10	7406-1	Handle Grip (Red)	2				
11	8669-5	Lift Handle	1				
12	5740-2	Deck Pin Bushing (5/8)	4				
13	8660-24	42R Carrier Frame (Less Pivots)	1				
	8660-29	42R Carrier Frame W/Forks (Less Pivots) (Includes Items # 19-21, 23, F055, F068 & F098)	*				
14	8674-10	Lever, Deck Lock, RH	1				
Caster Wheel Components							
15	8769-11	Bearing Cup (3/8 ID)	4				
16	5714-11	Bearing	4				
17	5714-10	Axle Tube (3.417)	2				
18	5715-23	Caster Wheel & Tire/No-Flat (8 x 3.00-4) W/Cups (Includes Items # 15-17)	2				
	5715-16	Tire, Caster Wheel/No-Flat (8 x 3.00-4)	*				
19	5770-1	Caster Wheel Fork	2				
20	8768-1	Seal (1-3/4 x 1-1/8)	2				
21	8037	Bearing Cone (3/4 ID)	4				
22	8769-1	Bearing Cup (1-3/4 x 1-7/16)	4				
23	8769-10	Dust Cap, Deck Caster	2				

42R INCH COMPLETE CARRIER FRAME ASSEMBLY



Refer to LUBRICATION POINTS, Page 30.

DC42R DECK ASSEMBLY

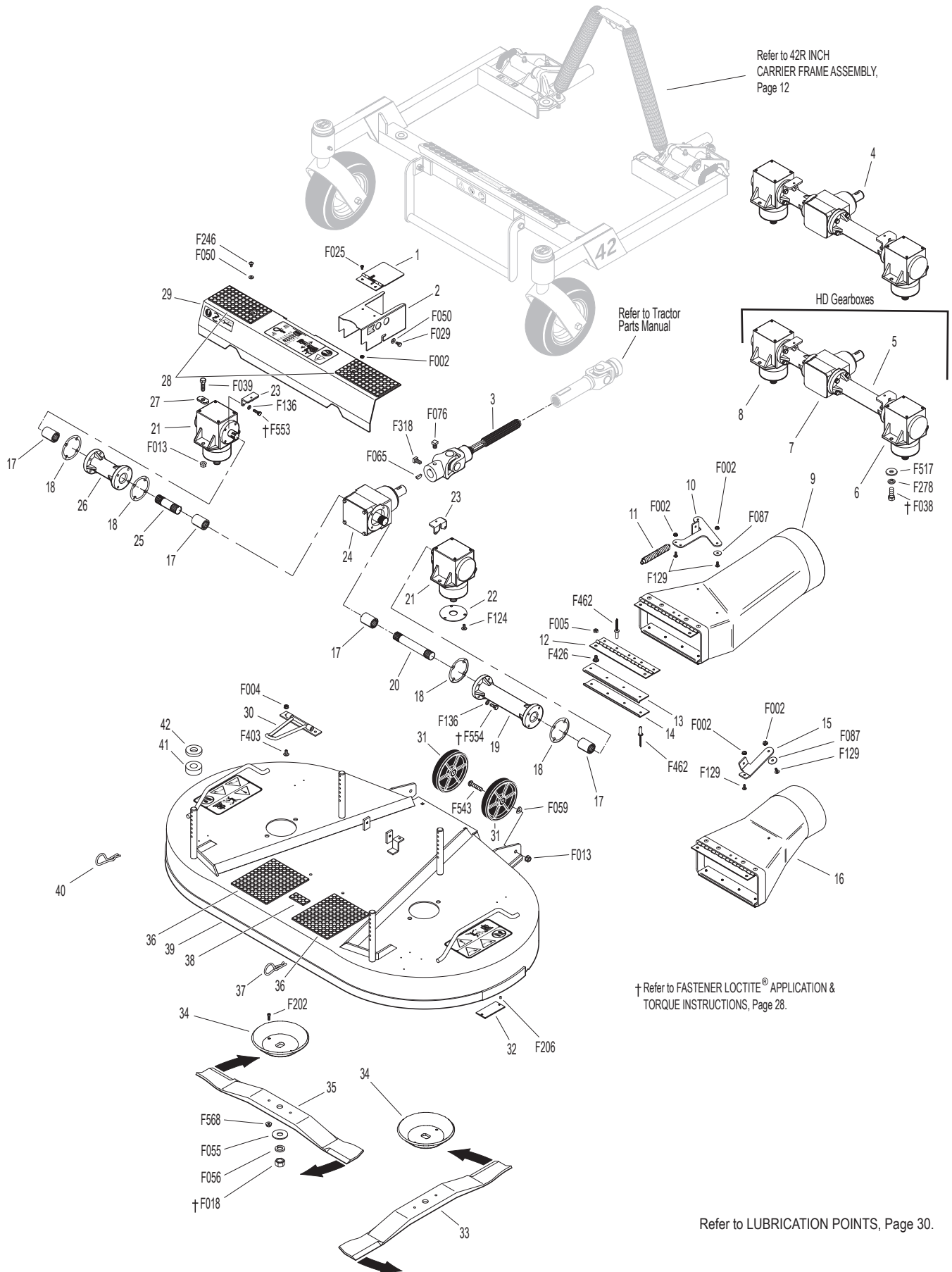
INCL. OPTIONAL HD GEARBOXES

ITEM NO.	PART NO.	DESCRIPTION	NO. REQ'D	ITEM NO.	PART NO.	DESCRIPTION	NO. REQ'D
Gearbox and Drive Components				36	8735-10	Rubber Mat (5 x 6)	2
1	8618-1	Cover, PTO Shaft Guard	1	37	7775-1	Hitch Pin, LH (Silver) #6	2
2	8619	PTO Shaft Guard	1	38	8788-1	Rubber Mat (1 x 2)	1
	8618	PTO Shaft Guard Assembly (Includes Items # 1, 2, F002 & F025)	*	39	5703-19	DC42R Deck Housing (Includes Items # 36 & 38)	1
3	7285-4	U-Joint Shaft Assembly, Splined (Keyed) (Includes Items # F065, F076 & F318)	1	40	7775-2	Hitch Pin, RH (Gold) #6	2
4	6704-20	Gearbox and Tube Assembly (Includes Items # 17-26, F124, F136, F553 & F554)	1	41	7434-1	Washer 1-3/8 x 5/8-1/2 Thick	4
5	6711-4	HD Gearbox and Tube Assembly (Includes Items # 6-8, 17-20, 23, 25, 26, F136, F553 & F554)	**	42	5727-1	Washer Shim (5/8 ID)	4
6	5053-13	Gearbox, HD (1:1) CW-CW	**	Fasteners			
7	5051-5	HD Tee Gearbox (1:1) CW-CW & CCW	**	F002	10-24 Keps Nut		6
8	5052-13	Gearbox, HD (1:1) CCW-CCW	**	F004	1/4-20 Keps Nut		2
9	5794	Discharge Chute W/O Spring Mount (Includes Items # 9, 12-14 & F462)	1	F005	1/4-20 ESNA Nut		2
	5794-1	Discharge Chute With Spring Mount (Includes Items # 9, 10, 12-14 & F462)	*	F013	3/8-16 Whiz Locknut		6
10	8678	Spring Mount, Chute	1	F018	5/8-18 Hex Nut		2
11	8677	Extension Spring (1 x 6-1/16)	1	F025	10-24 x 3/8 PPHMS		2
12	5726	Chute Hinge (2 x 8)	1	F029	1/4-20 x 1/2 Hex Bolt		2
13	5755-2	Chute Lip, Top	1	F038	3/8-16 x 1 Hex Bolt		4***
14	5755-3	Chute Lip, Bottom	1	F039	3/8-16 x 1-1/4 Hex Bolt		4
15	8678-4	Spring Mount, Chute	1 ^Δ	F050	1/4 SAE Washer		4
16	5794-3	Discharge Chute With Spring Mount (Includes Items # 12-15 & F462)	1 ^Δ	F055	5/8 SAE Washer		2
17	6054	Spline Coupling	4	F056	5/8 Split Lock Washer		2
18	P007	Gasket, Cap (Peerless #788030)	4	F059	3/8 Wave Spring Washer		2
19	5063	Gearbox Connector Tube (8-5/8)	1	F065	3/16 x 3/4 Woodruff Key (#606)		1
20	6733-3	Connecting Shaft (6-1/4)	1	F076	3/8-16 x 5/8 SQH Set Screw		1
21	5052-1	Gearbox (LH Rotation)	2	F087	#10 x 7/8 Fender Washer		2
22	5706-4	Seal Protector Plate	2 ^{ΔΔ}	F124	#10 x 7/8 Fender Washer		2
23	5704-1	Gearbox Cover Support	2	F129	10-32 x 3/8 Taptite Machine Screw		6
24	5051-13	Tee Gearbox, Keyed Reversed (7/8" Dia. Shaft)	1	F136	10-24 x 1/2 PTHMS		4
25	6733-1	Connecting Shaft (2")	1	F202	AN960C416L Washer		16
26	5062	Gearbox Connector Tube (4-3/8)	1	F206	10-24 x 5/8 SHC Screw, GR5 SS		4
27	5052-3	1.375 x .750 x .187 Washer	4 ^{ΔΔ}	F206	#2 x 3/16 Drive Pin		2
28	5747-11	Rubber Mat (3 x 6)	2	F246	1/4-20 x 1/2 PTHMS		2
29	8629-3	42RV Gearbox Cover (Includes Item # 28)	1	F278	3/8 Split Lock Washer		4***
Deck Housing Components				F318	3/8-16 x 3/4 SQH Set Screw		1
30	8670	Tilt-Up Hook	1	F403	1/4-20 x 1/2 PTHMS, SS		2
31	5162-12	Roller Wheel (5" Poly) (Includes Items # F013, F059 & F543)	2	F426	1/4-20 x 1/2 Carriage Bolt		2
32	NS	Deck Serial Number Plate	1	F462	3/16 x .468 (+/- .010) Semi-Tube Rivet		8
33	5705-4	Blade, 22" (LH Rotation)	1	F517	Washer 3/8 x 1-1/8 x 1/8		4***
34	5706	Blade Hub & Trash Guard	2	F543	3/8-16 x 1-1/2 BH Cap Screw		2
35	5705-3	Blade, 22" (RH Rotation)	1	F553	1/4-20 x 1 Hex Bolt W/Loctite		4
	5705-8	42 GHS Blade Set With Hubs (Includes Items # 33-35, F202 & F568)	*	F554	1/4-20 x 7/8 Hex Bolt W/Loctite		12
				F568	10-24 Flange Top Lock Nut		4

- * Service Part Only
- ** Item(s) used on the HD version of standard gearboxes. The HD cast iron gearboxes are interchangeable with standard aluminum gearboxes.
- *** Used on HD gearbox configuration.
- Δ Item used on Model S14 only
- ΔΔ Used on standard aluminum gearbox configuration.

DC42R DECK ASSEMBLY

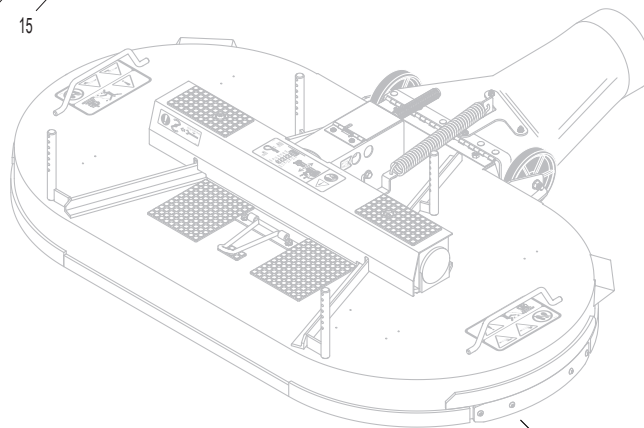
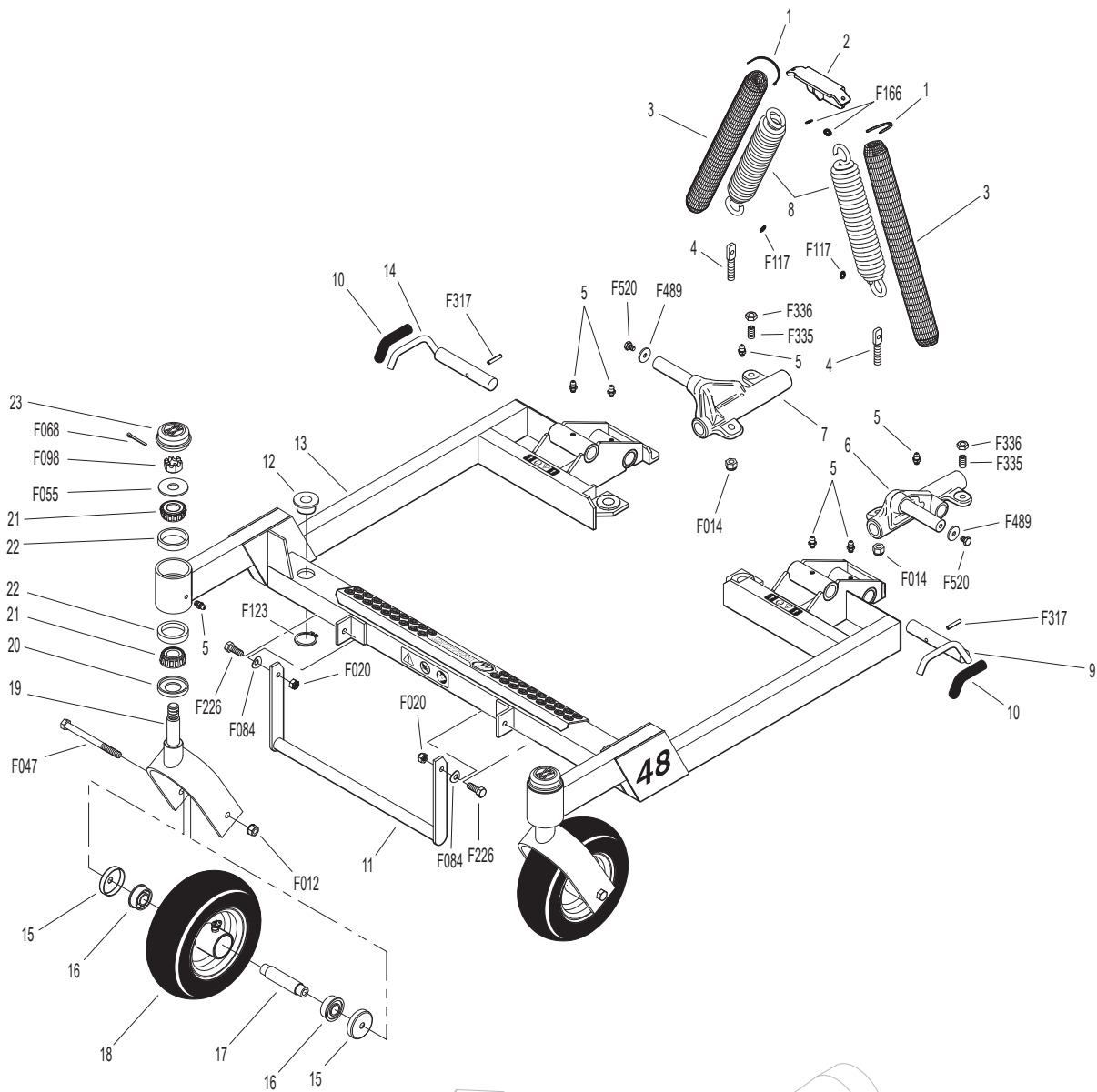
INCL. OPTIONAL HD GEARBOXES



48 INCH COMPLETE CARRIER FRAME ASSEMBLY

ITEM NO.	PART NO.	DESCRIPTION	NO. REQ'D	ITEM NO.	PART NO.	DESCRIPTION	NO. REQ'D
Spring and Pivot Mount Components				Fasteners			
1	5975-3	Cable Tie (50# x 7")	4	F012		3/8-16 Keps Nut	2
2	5744-1	Spring Clip Bracket	1	F014		3/8-16 ESNA Nut	2
3	5743-1	Spring Cover	2	F020		5/16-18 ESNA Nut	2
4	5743-3	Eyebolt (3/8-16 x 2)	2	F047		3/8-16 x 4-1/2 Hex Bolt	2
5	5830	Grease Fitting	8	F055		5/8 SAE Washer	2
6	8667-3	Pivot Mount Assembly, LH/Adj. (Includes Items # 5, F014, F489 & F520)	*	F068		1/8 x 1 Cotter Pin	2
7	8667-4	Pivot Mount Assembly, RH/Adj. (Includes Items # 5, F014, F489 & F520)	*	F084		5/16 Wave Spring Washer	2
8	5743-6	Extension Spring (1-1/2 x 7-3/4) (Includes Items # 1, F117 & F166)	2	F098		5/8-18 Slotted Hex Nut	2
Carrier Frame Components				F117		Retainer Ring	2
9	8674-11	Lever, Deck Lock, LH	1	F123		1" External Snap Ring	4
10	7406-1	Handle Grip (Red)	2	F166		Retainer Ring	2
11	8669	Lift Handle	1	F226		5/16-18 x 7/8 Hex Bolt	2
12	5740-2	Deck Pin Bushing (5/8)	4	F317		3/16 x 1 Split Spring Pin	2
13	8661-2	48" Carrier Frame (Less Pivots)	1	F335		3/8-16 x 7/8 Set Screw, SS	2
	8661-1	48" Carrier Frame W/Forks (Less Pivots) (Includes Items # 19-21, 23, F055, F068 & F098)	*	F336		3/8-16 Jam Nut	2
14	8674-10	Lever, Deck Lock, RH	1	F489		Washer 1/4 x 7/8 x .090	2
Caster Wheel Components				F520		1/4-28 x 3/8 Hex Bolt	2
15	8769-11	Bearing Cup (3/8 ID)	4	* Service Part Only			
16	5714-11	Bearing	4				
17	5714-10	Axle Tube (3.417)	2				
18	5715-23	Caster Wheel & Tire/No-Flat (8 x 3.00-4) W/Cups (Includes Items # 15-17)	2				
	5715-16	Tire, Caster Wheel/No-Flat (8 x 3.00-4)	*				
19	5770-1	Caster Wheel Fork	2				
20	8768-1	Seal (1-3/4 x 1-1/8)	2				
21	8037	Bearing Cone (3/4 ID)	4				
22	8769-1	Bearing Cup (1-3/4 x 1-7/16)	4				
23	8769-10	Dust Cap, Deck Caster	2				

48 INCH COMPLETE CARRIER FRAME ASSEMBLY



Refer to DC48
DECK ASSEMBLY,
Page 18

Refer to LUBRICATION POINTS, Page 30.

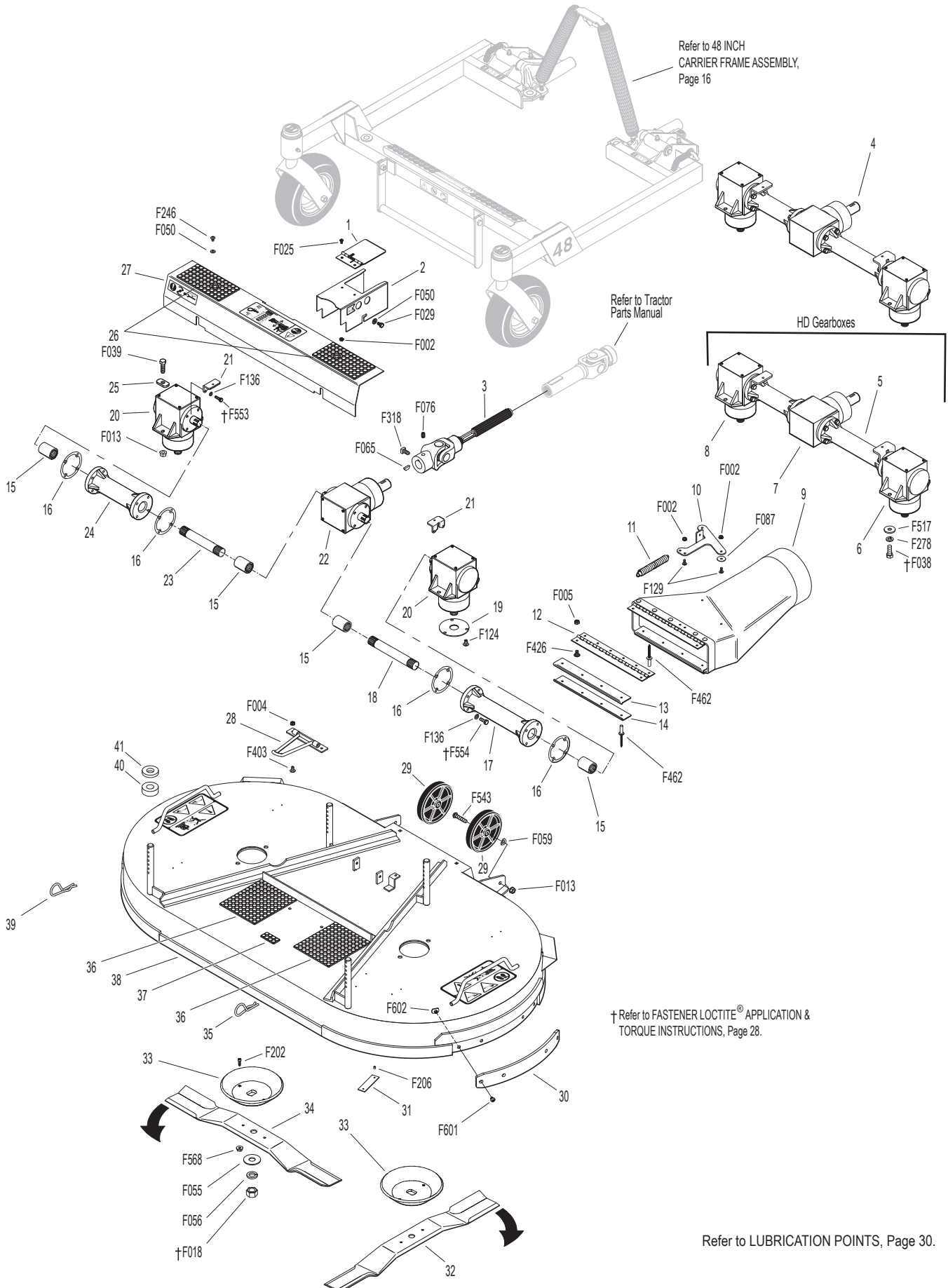
DC48 DECK ASSEMBLY

INCL. OPTIONAL HD GEARBOXES

ITEM NO.	PART NO.	DESCRIPTION	NO. REQ'D	ITEM NO.	PART NO.	DESCRIPTION	NO. REQ'D
Gearbox and Drive Components				35	7775-1	Hitch Pin, LH (Silver) #6	2
1	8618-1	Cover, PTO Shaft Guard	1	36	8735-10	Rubber Mat (5 x 6)	2
2	8619	PTO Shaft Guard	1	37	8788-1	Rubber Mat (1 x 2)	1
	8618	PTO Shaft Guard Assembly (Includes Items # 1, 2, F002 & F025)	*	38	7702-17	48 GHS Deck Housing (Includes Items # 30, 36, 37, F601 & F602)	1
3	7285-5	U-Joint Shaft Assembly, Spline (Keyed) (Includes Items # F065, F076 & F318)	1	39	7775-2	Hitch Pin, RH (Gold) #6	2
4	6704-17	Gearbox and Tube Assembly (Includes Items # 15-24, F124, F136, F553 & F554)	1	40	7434-1	Washer 1-3/8 x 5/8-1/2 Thick	4
5	6711-10	HD Gearbox and Tube Assembly (Includes Items # 6-8, 15-18, 21, 23, 24, F136, F553 & F554)	**	41	5727-1	Washer Shim (5/8 ID)	4
6	5052-13	Gearbox, HD (1:1) CCW-CCW	**	Fasteners			
7	7751-11	HD Tee Gearbox, Keyed (1.2:1)	**	F002	10-24 Keps Nut		6
8	5053-13	Gearbox, HD (1:1) CW-CW	**	F004	1/4-20 Keps Nut		2
9	7794	48 GHS Discharge Chute W/O Spring (Includes Items # 9, 12-14 & F462)	1	F005	1/4-20 ESNA Nut		2
	7794-1	Discharge Chute Assembly With Spring Mount (Includes Items # 9, 10, 12-14 & F462)	*	F013	3/8-16 Whiz Locknut		6
10	8678	Spring Mount, Chute	1	F018	5/8-18 Hex Nut		2
11	8677	Extension Spring (1 x 6-1/16)	1	F025	10-24 x 3/8 PPHMS		2
12	7726	Chute Hinge (2 x 11)	1	F029	1/4-20 x 1/2 Hex Bolt		2
13	7755-1	Chute Lip, Top	1	F038	3/8-16 x 1 Hex Bolt		4***
14	7755-2	Chute Lip, Bottom	1	F039	3/8-16 x 1-1/4 Hex Bolt		4
15	6054	Spline Coupling	4	F050	1/4 SAE Washer		4
16	P007	Gasket, Cap (Peerless #788030)	4	F055	5/8 SAE Washer		2
17	5066	Gearbox Connector Tube (9-5/16)	1	F056	5/8 Split Lock Washer		2
18	6733-6	Connecting Shaft (7")	1	F059	3/8 Wave Spring Washer		2
19	5706-4	Seal Protector Plate	2 ^Δ	F065	3/16 x 3/4 Woodruff Key (#606)		1
20	5052-1	Gearbox (LH Rotation)	2	F076	3/8-16 x 5/8 SQH Set Screw		1
21	5704-1	Gearbox Cover Support	2	F087	#10 x 7/8 Fender Washer		2
22	7751-17	Tee Gearbox, Keyed (1.2:1 Ratio)	1	F124	10-32 x 3/8 Taptite Machine Screw		6
23	6733-2	Connecting Shaft (4-1/8)	1	F129	10-24 x 1/2 PTHMS		4
24	5061	Gearbox Connector Tube (6-11/16)	1	F136	AN960C416L Washer		16
25	5052-3	1.375 x .750 x .187 Washer	4 ^Δ	F202	10-24 x 5/8 SHC Screw, GR5 SS		4
26	5747-12	Rubber Mat (3 x 6)	2	F206	#2 x 3/16 Drive Pin		2
27	7785-3	48" Gearbox Cover (Includes Item # 26)	1	F246	1/4-20 x 1/2 PTHMS		2
Deck Housing Components				F278	3/8 Split Lock Washer		4***
28	8670	Tilt-Up Hook	1	F318	3/8-16 x 3/4 SQH Set Screw		1
29	5162-12	Roller Wheel (5" Poly) (Includes Items # F013, F059 & F543)	2	F403	1/4-20 x 1/2 PTHMS, SS		2
30	7703-1	Replaceable Wear Edge	2	F426	1/4-20 x 1/2 Carriage Bolt		2
31	NS	Deck Serial Number Plate	1	F462	3/16 x .468 (+/- .010) Semi-Tube Rivet		8
32	7705-1	Blade, 25" (RH Rotation)	1	F517	Washer 3/8 x 1-1/8 x 1/8		4***
33	5706	Blade Hub & Trash Guard	2	F543	3/8-16 x 1-1/2 BH Cap Screw		2
34	7705-2	Blade, 25" (LH Rotation)	1	F553	1/4-20 x 1 Hex Bolt W/Loctite		4
	7705-3	48 GHS Blade Set With Hubs (Includes Items # 32-34, F202 & F568)	*	F554	1/4-20 x 7/8 Hex Bolt W/Loctite		12
				F568	10-24 Flange Top Lock Nut		4
				F601	1/4-20 x 3/8 Torx Button Head		8
				F602	1/4-20 x 1/4 T-Nut		8
				* Service Part Only			
				** Item(s) used on the HD version of standard gearboxes. The HD cast iron gearboxes are interchangeable with standard aluminum gearboxes.			
				*** Used on HD gearbox configuration.			
				Δ Used on standard aluminum gearbox configuration.			

DC48 DECK ASSEMBLY

INCL. OPTIONAL HD GEARBOXES

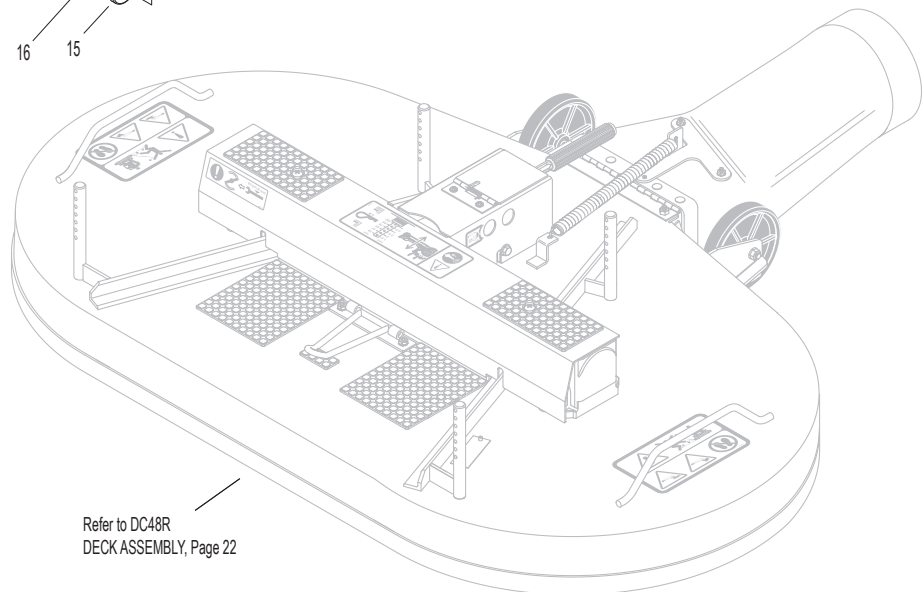
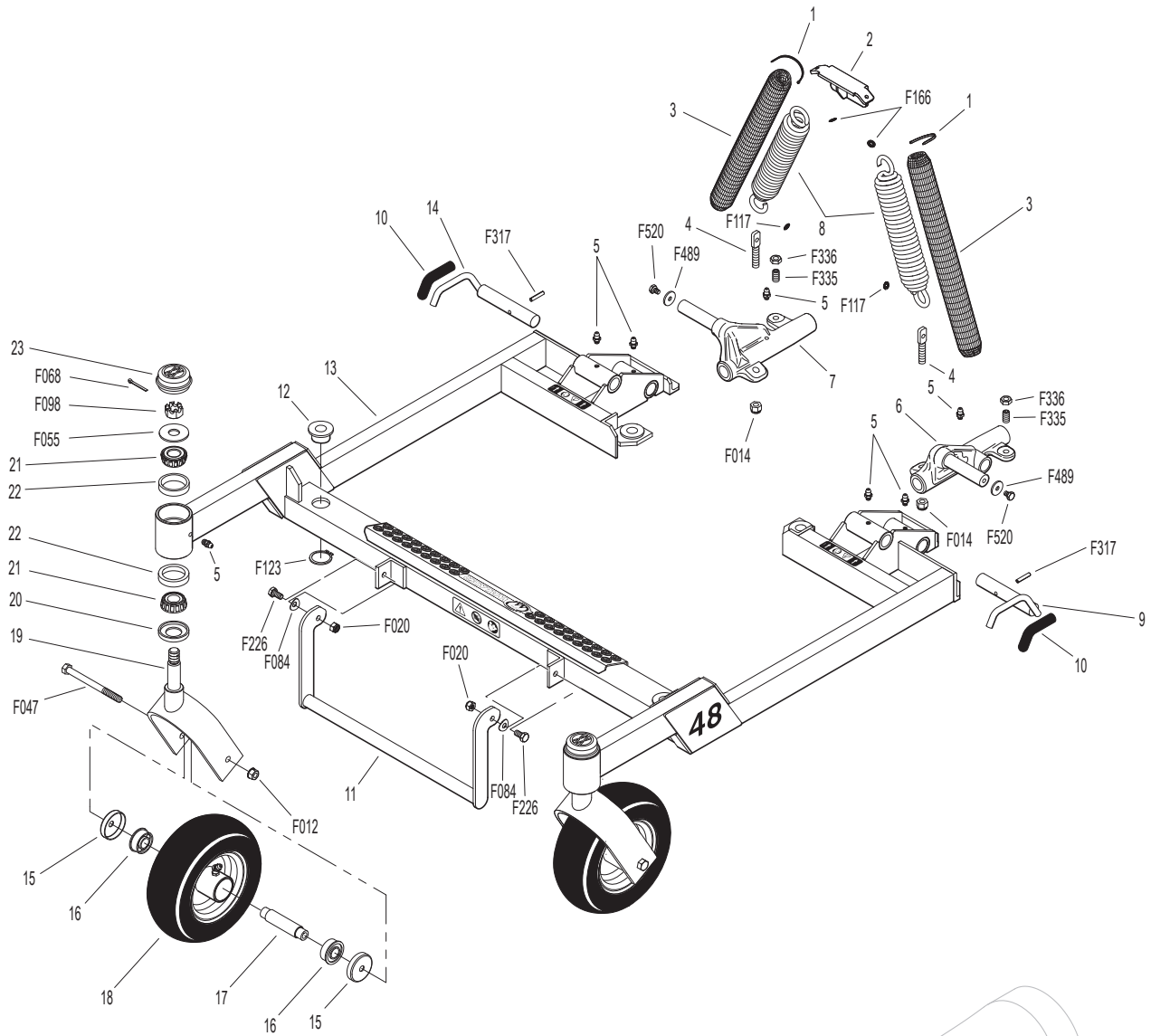


Effective Date 12-04-18
 Use only genuine Walker® replacement parts.

48R INCH COMPLETE CARRIER FRAME ASSEMBLY

ITEM NO.	PART NO.	DESCRIPTION	NO. REQ'D	ITEM NO.	PART NO.	DESCRIPTION	NO. REQ'D
Spring and Pivot Mount Components				Fasteners			
1	5975-3	Cable Tie (50# x 7")	4	F012		3/8-16 Keps Nut	2
2	5744-1	Spring Clip Bracket	1	F014		3/8-16 ESNA Nut	2
3	5743-1	Spring Cover	2	F020		5/16-18 ESNA Nut	2
4	5743-3	Eyebolt (3/8-16 x 2)	2	F047		3/8-16 x 4-1/2 Hex Bolt	2
5	5830	Grease Fitting	8	F055		5/8 SAE Washer	2
6	8667-3	Pivot Mount Assembly, LH/Adj. (Includes Items # 5, F014, F489 & F520)	*	F068		1/8 x 1 Cotter Pin	2
7	8667-4	Pivot Mount Assembly, RH/Adj. (Includes Items # 5, F014, F489 & F520)	*	F084		5/16 Wave Spring Washer	2
8	5743-6	Extension Spring (1-1/2 x 7-3/4) (Includes Items # 1, F117 & F166)	2	F098		5/8-18 Slotted Hex Nut	2
Carrier Frame Components				F117		Retainer Ring	2
9	8674-11	Lever, Deck Lock, LH	1	F123		1" External Snap Ring	4
10	7406-1	Handle Grip (Red)	2	F166		Retainer Ring	2
11	8669-5	Lift Handle	1	F226		5/16-18 x 7/8 Hex Bolt	2
12	5740-2	Deck Pin Bushing (5/8)	4	F317		3/16 x 1 Split Spring Pin	2
13	8661-7	48R Carrier Frame (Less Pivots)	1	F335		3/8-16 x 7/8 Set Screw, SS	2
	8661-6	48R Carrier Frame W/Forks (Less Pivots) (Includes Items # 19-21, 23, F055, F068 & F098)	*	F336		3/8-16 Jam Nut	2
14	8674-10	Lever, Deck Lock, RH	1	F489		Washer 1/4 x 7/8 x .090	2
Caster Wheel Components				F520		1/4-28 x 3/8 Hex Bolt	2
15	8769-11	Bearing Cup (3/8 ID)	4	* Service Part Only			
16	5714-11	Bearing	4				
17	5714-10	Axle Tube (3.417)	2				
18	5715-23	Caster Wheel & Tire/No-Flat (8 x 3.00-4) W/Cups (Includes Items # 15-17)	2				
	5715-16	Tire, Caster Wheel/No-Flat (8 x 3.00-4)	*				
19	5770-1	Caster Wheel Fork	2				
20	8768-1	Seal (1-3/4 x 1-1/8)	2				
21	8037	Bearing Cone (3/4 ID)	4				
22	8769-1	Bearing Cup (1-3/4 x 1-7/16)	4				
23	8769-10	Dust Cap, Deck Caster	2				

48R INCH COMPLETE CARRIER FRAME ASSEMBLY



Refer to DC48R
DECK ASSEMBLY, Page 22

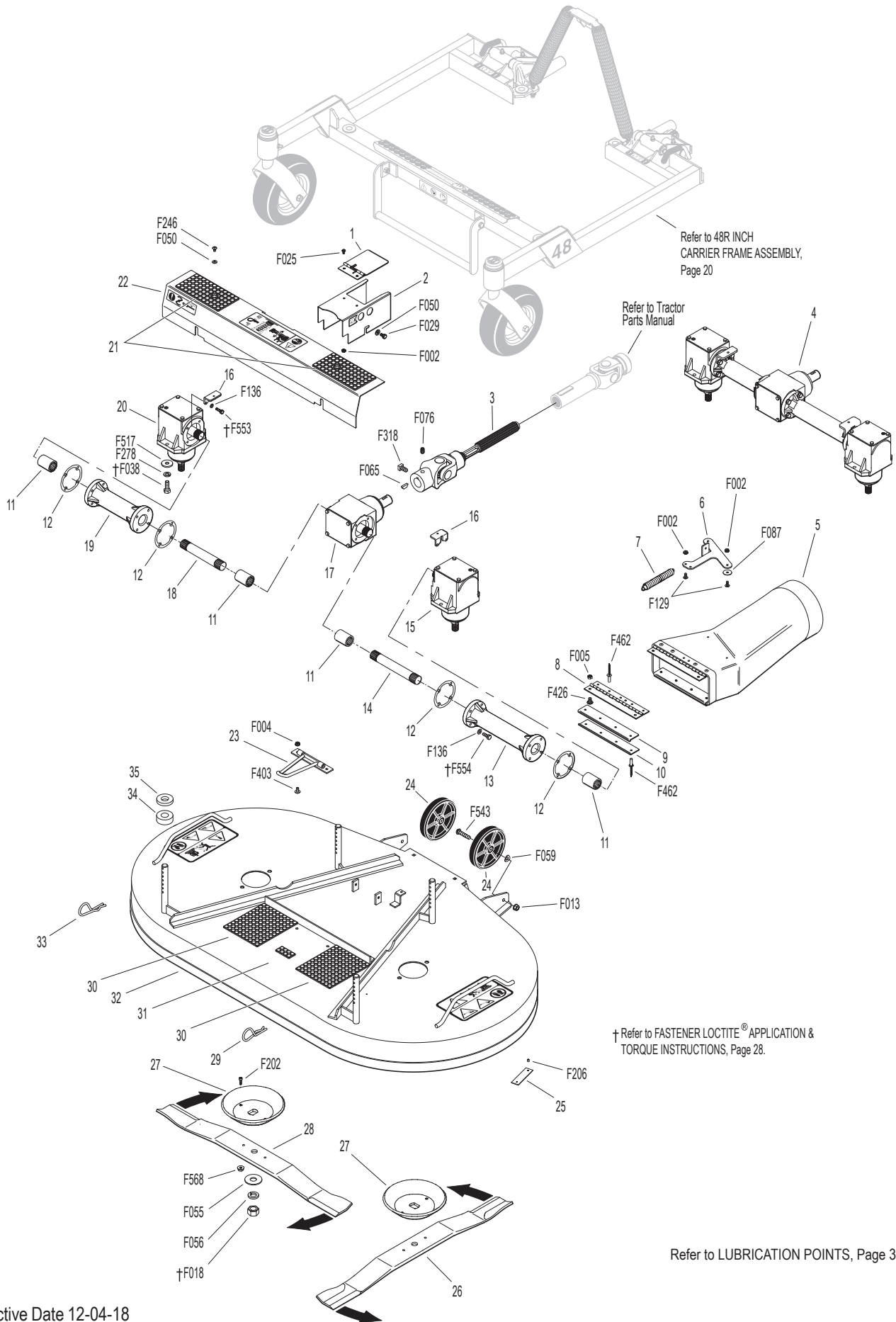
Refer to LUBRICATION POINTS, Page 30.

DC48R DECK ASSEMBLY

ITEM NO.	PART NO.	DESCRIPTION	NO. REQ'D	ITEM NO.	PART NO.	DESCRIPTION	NO. REQ'D
Gearbox and Drive Components				27	5706	Blade Hub & Trash Guard	2
1	8618-1	Cover, PTO Shaft Guard	1	28	7705-1	Blade, 25" (RH Rotation)	1
2	8619	PTO Shaft Guard	1	29	7775-1	Hitch Pin, LH (Silver) #6	2
	8618	PTO Shaft Guard Assembly (Includes Items # 1, 2, F002 & F025)	*	30	8735-10	Rubber Mat (5 x 6)	2
3	7285-5	U-Joint Shaft Assembly, Spline (Keyed) (Includes Items # F065, F076 & F318)	1	31	8788-1	Rubber Mat (1 x 2)	1
4	6711-9	HD Gearbox and Tube Assembly (Includes Items # 11-19, F136, F553 & F554)	1	32	7702-6	48R GHS Deck Housing (Includes Items # 30 & 31)	1
5	5794	Discharge Chute W/O Spring Mount (Includes Items # 5, 8-10 & F462)	1	33	7775-2	Hitch Pin, RH (Gold) #6	2
	5794-1	Discharge Chute With Spring Mount (Includes Items # 5, 6, 8-10 & F462)	*	34	7434-1	Washer 1-3/8 x 5/8-1/2 Thick	4
6	8678	Spring Mount, Chute	1	35	5727-1	Washer Shim (5/8 ID)	4
7	8677	Extension Spring (1 x 6-1/16)	1	Fasteners			
8	5726	Chute Hinge (2 x 8)	1	F002	10-24 Keps Nut		6
9	5755-2	Chute Lip, Top	1	F004	1/4-20 Keps Nut		2
10	5755-3	Chute Lip, Bottom	1	F005	1/4-20 ESNA Nut		2
11	6054	Spline Coupling	4	F013	3/8-16 Whiz Locknut		2
12	P007	Gasket, Cap (Peerless #788030)	4	F018	5/8-18 Hex Nut		2
13	5066	Gearbox Connector Tube (9-5/16)	1	F025	10-24 x 3/8 PPHMS		2
14	6733-6	Connecting Shaft (7")	1	F029	1/4-20 x 1/2 Hex Bolt		2
15	5053-13	HD Gearbox (1:1) CW-CW	1	F038	3/8-16 x 1 Hex Bolt		4
16	5704-1	Gearbox Cover Support	2	F050	1/4 SAE Washer		4
17	7751-18	HD Tee Gearbox, Keyed (1.2:1) Input (CW-CCW & CW)	1	F055	5/8 SAE Washer		2
18	6733-2	Connecting Shaft (4-1/8)	1	F056	5/8 Split Lock Washer		2
19	5061	Gearbox Connector Tube (6-11/16)	1	F059	3/8 Wave Spring Washer		2
20	5052-13	HD Gearbox (1:1) CCW-CCW	1	F065	3/16 x 3/4 Woodruff Key (#606)		1
21	5747-12	Rubber Mat (3 x 6)	2	F076	3/8-16 x 5/8 SQH Set Screw		1
22	7785-3	48" Gearbox Cover (Includes Item # 21)	1	F087	#10 x 7/8 Fender Washer		2
Deck Housing Components				F129	10-24 x 1/2 PTHMS		4
23	8670-9	Tilt-Up Hook	1	F136	AN960C416L Washer		16
24	5162-12	Roller Wheel (5" Poly) (Includes Items # F013, F059 & F543)	2	F202	10-24 x 5/8 SHC Screw, GR5 SS		4
25	NS	Deck Serial Number Plate	1	F206	#2 x 3/16 Drive Pin		2
26	7705-2	Blade, 25" (LH Rotation)	1	F246	1/4-20 x 1/2 PTHMS		2
	7705-3	48 GHS Blade Set With Hubs (Includes Items # 26-28, F202 & F568)	*	F278	3/8 Split Lock Washer		4
				F318	3/8-16 x 3/4 SQH Set Screw		1
				F403	1/4-20 x 1/2 PTHMS, SS		2
				F426	1/4-20 x 1/2 Carriage Bolt		2
				F462	3/16 x .468 (+/- .010) Semi-Tube Rivet		8
				F517	Washer 3/8 x 1-1/8 x 1/8		4
				F543	3/8-16 x 1-1/2 BH Cap Screw		2
				F553	1/4-20 x 1 Hex Bolt W/Loctite		4
				F554	1/4-20 x 7/8 Hex Bolt W/Loctite		12
				F568	10-24 Flange Top Lock Nut		4

* Service Part Only

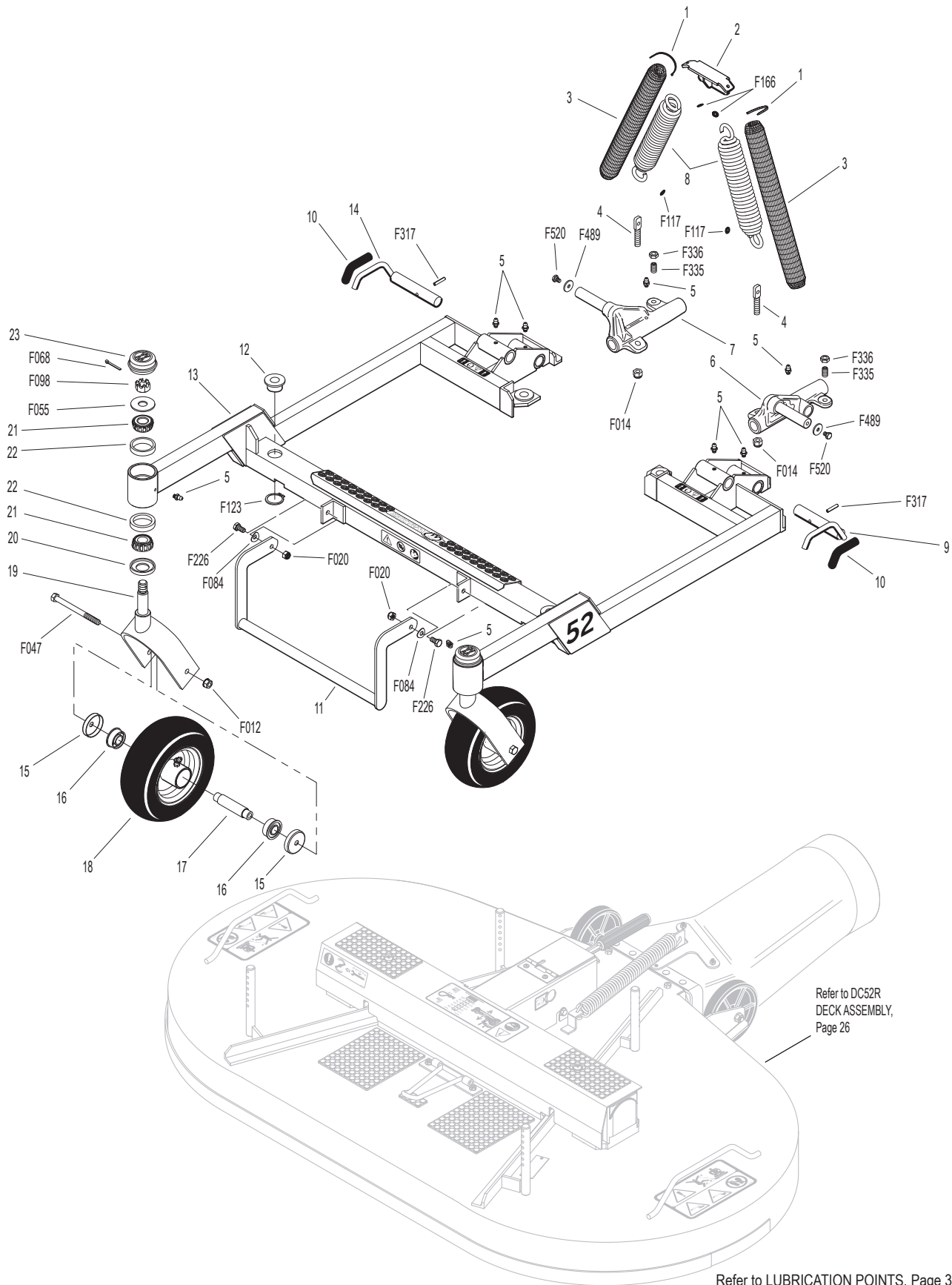
DC48R DECK ASSEMBLY



52R INCH COMPLETE CARRIER FRAME ASSEMBLY

ITEM NO.	PART NO.	DESCRIPTION	NO. REQ'D	ITEM NO.	PART NO.	DESCRIPTION	NO. REQ'D
Spring and Pivot Mount Components				Fasteners			
1	5975-3	Cable Tie (50# x 7")	4	F012		3/8-16 Keps Nut	2
2	5744-1	Spring Clip Bracket	1	F014		3/8-16 ESNA Nut	2
3	5743-1	Spring Cover	2	F020		5/16-18 ESNA Nut	2
4	5743-3	Eyebolt (3/8-16 x 2)	2	F047		3/8-16 x 4-1/2 Hex Bolt	2
5	5830	Grease Fitting	8	F055		5/8 SAE Washer	2
6	8667-3	Pivot Mount Assembly, LH/Adj. (Includes Items # 5, F014, F489 & F520)	*	F068		1/8 x 1 Cotter Pin	2
7	8667-4	Pivot Mount Assembly, RH/Adj. (Includes Items # 5, F014, F489 & F520)	*	F084		5/16 Wave Spring Washer	2
8	5743-6	Extension Spring (1-1/2 x 7-3/4) (Includes Items # 1, F117 & F166)	2	F098		5/8-18 Slotted Hex Nut	2
				F117		Retainer Ring	2
				F123		1" External Snap Ring	4
				F166		Retainer Ring	2
				F226		5/16-18 x 7/8 Hex Bolt	2
				F317		3/16 x 1 Split Spring Pin	2
				F335		3/8-16 x 7/8 Set Screw, SS	2
				F336		3/8-16 Jam Nut	2
				F489		Washer 1/4 x 7/8 x .090	2
				F520		1/4-28 x 3/8 Hex Bolt	2
Carrier Frame Components				* Service Part Only			
9	8674-11	Lever, Deck Lock, LH	1				
10	7406-1	Handle Grip (Red)	2				
11	8669-4	Lift Handle	1				
12	5740-2	Deck Pin Bushing (5/8)	4				
13	8811-3	52GHS Carrier Frame	1				
	8811-2	52GHS Carrier Frame W/Pivots (Includes Items # 19-21, 23, F055, F068 & F098)	*				
14	8674-10	Lever, Deck Lock, RH	1				
Caster Wheel Components							
15	8769-11	Bearing Cup (3/8 ID)	4				
16	5714-11	Bearing	4				
17	5714-10	Axle Tube (3.417)	2				
18	5715-23	Caster Wheel & Tire/No-Flat (8 x 3.00-4) W/Cups (Includes Items # 15-17)	2				
	5715-16	Tire, Caster Wheel/No-Flat (8 x 3.00-4)	*				
19	5770-1	Caster Wheel Fork	2				
20	8768-1	Seal (1-3/4 x 1-1/8)	2				
21	8037	Bearing Cone (3/4 ID)	4				
22	8769-1	Bearing Cup (1-3/4 x 1-7/16)	4				
23	8769-10	Dust Cap, Deck Caster	2				

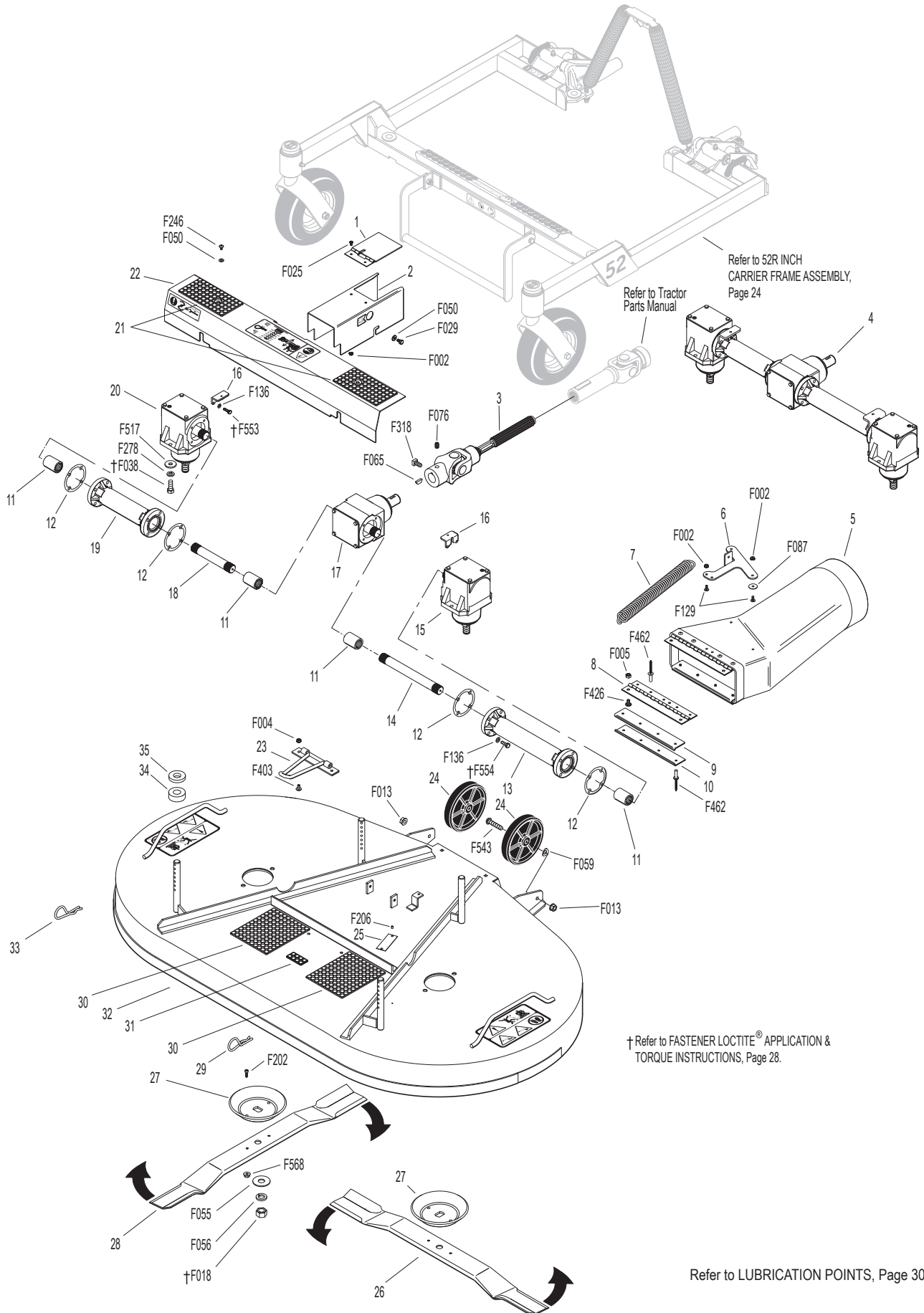
52R INCH COMPLETE CARRIER FRAME ASSEMBLY



DC52R DECK ASSEMBLY

ITEM NO.	PART NO.	DESCRIPTION	NO. REQ'D	ITEM NO.	PART NO.	DESCRIPTION	NO. REQ'D
Gearbox and Drive Components				29	7775-1	Hitch Pin, LH (Silver) #6	2
1	8618-1	Cover, PTO Shaft Guard	1	30	8735-10	Rubber Mat (5 x 6)	2
2	8619-3	PTO Shaft Guard, 52GHS	1	31	8788-1	Rubber Mat (1 x 2)	1
	8618-4	PTO Shaft Guard Assembly/52 (Includes Items # 1, 2, F002 & F025)	*	32	8810-2	52 GHS Deck Housing (Includes Items # 30 & 31)	1
3	7285-5	U-Joint Shaft Assembly, Spline (Keyed) (Includes Items # F065, F076 & F318)	1	33	7775-2	Hitch Pin, RH (Gold) #6	2
4	6711-14	DC52R Gearbox and Tube Assembly (Includes Items # 11-20, F136, F553 & F554)	1	34	7434-1	Washer 1-3/8 x 5/8-1/2 Thick	4
5	5794	Discharge Chute W/O Spring Mount (Includes Items # 5, 8-10 & F462)	1	35	5727-1	Washer Shim (5/8 ID)	4
	5794-1	Discharge Chute With Spring Mount (Includes Items # 5, 6, 8-10 & F462)	*	Fasteners			
6	8678	Spring Mount, Chute	1	F002	10-24 Keps Nut		6
7	8677	Extension Spring (1 x 6-1/16)	1	F004	1/4-20 Keps Nut		2
8	5726	Chute Hinge (2 x 8)	1	F005	1/4-20 ESNA Nut		2
9	5755-2	Chute Lip, Top	1	F013	3/8-16 Whiz Locknut		2
10	5755-3	Chute Lip, Bottom	1	F018	5/8-18 Hex Nut		2
11	6054	Spline Coupling	4	F025	10-24 x 3/8 PPHMS		2
12	P007	Gasket, Cap (Peerless #788030)	4	F029	1/4-20 x 1/2 Hex Bolt		2
13	5068-3	Connector Tube (10-5/16)	1	F038	3/8-16 x 1 Hex Bolt		4
14	6733-10	Connecting Shaft (8-1/32)	1	F050	1/4 SAE Washer		4
15	5053-13	Gearbox, HD (1:1) CW-CW	1	F055	5/8 SAE Washer		2
16	5704-1	Gearbox Cover Support	2	F056	5/8 Split Lock Washer		2
17	7751-18	HD Tee Gearbox, Keyed (1.2:1) Input (CW-CCW & CW)	1	F059	3/8 Wave Spring Washer		2
18	6733-4	Connecting Shaft (5-5/16)	1	F065	3/16 x 3/4 Woodruff Key (#606)		1
19	5065	Connector Tube (7-11/16)	1	F076	3/8-16 x 5/8 SQH Set Screw		1
20	5052-13	Gearbox, HD (1:1) CCW-CCW	1	F087	#10 x 7/8 Fender Washer		2
21	5747-12	Rubber Mat (3 x 6)	2	F129	10-24 x 1/2 PTHMS		4
22	6786-2	52 GHS Gearbox Cover (Includes Item # 21)	1	F136	AN960C416L Washer		16
Deck Housing Components				F202	10-24 x 5/8 SHC Screw, GR5 SS		4
23	8670-9	Tilt-Up Hook	1	F206	#2 x 3/16 Drive Pin		2
24	5162-12	Roller Wheel (5" Poly) (Includes Items # F013, F059 & F543)	2	F246	1/4-20 x 1/2 PTHMS		2
25	NS	Deck Serial Number Plate	1	F278	3/8 Split Lock Washer		4
26	7705-7	Blade 27" (LH Rotation)	1	F318	3/8-16 x 3/4 SQH Set Screw		1
27	5706	Blade Hub & Trash Guard	2	F403	1/4-20 x 1/2 PTHMS, SS		2
28	7705-6	Blade 27" (RH Rotation)	1	F426	1/4-20 x 1/2 Carriage Bolt		2
	7705-9	52 GHS Blade Set With Hubs (Includes Items # 26-28, F202 & F568)	*	F462	3/16 x .468 (+/- .010) Semi-Tube Rivet		8
				F517	Washer 3/8 x 1-1/8 x 1/8		4
				F543	3/8-16 x 1-1/2 BH Cap Screw		2
				F553	1/4-20 x 1 Hex Bolt W/Loctite		4
				F554	1/4-20 x 7/8 Hex Bolt W/Loctite		12
				F568	10-24 Flange Top Lock Nut		4
				* Service Part Only			

DC52R DECK ASSEMBLY



FASTENER LOCTITE® APPLICATION & TORQUE INSTRUCTIONS

ITEM NO.	DESCRIPTION
----------	-------------

DC HD Gear Drive Assemblies

- 1 **Apply** Loctite® Threadlocker # 242 (Blue) to P/N F038 (3/8-16 x 1 Hex Bolt, used on Gearbox Mounting Hardware) prior to assembly. Torque to 115 lb·in. (13.0 N·m).
- 2 **Torque** P/N F553 (1/4-20 x 1 Hex Bolt W/Loctite, used on Gearbox Connector Tubes) and F554 (1/4-20 x 7/8 Hex Bolt W/Loctite, used on Gearbox Connector Tubes) to 115 lb·in. (13.0 N·m).

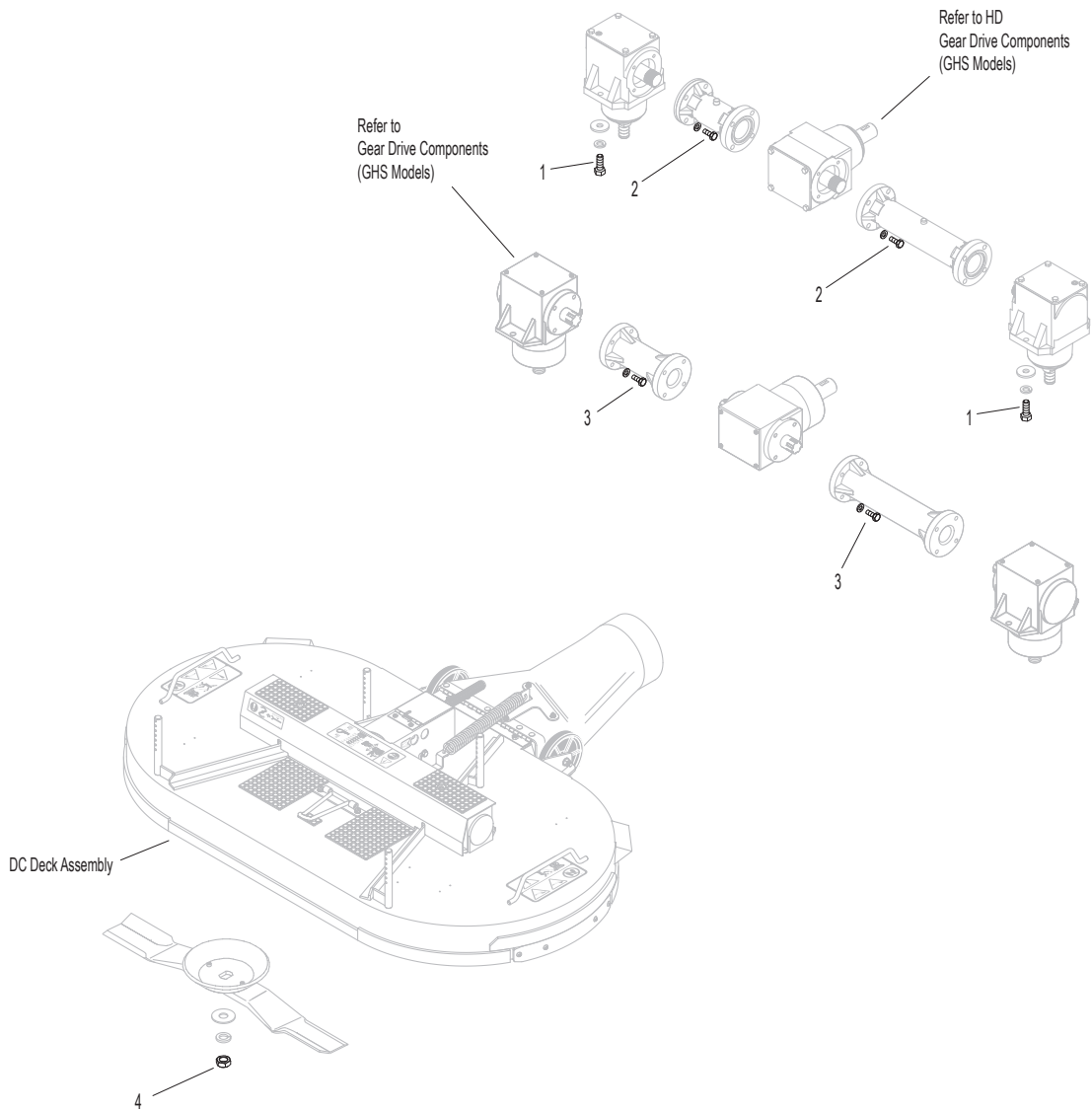
ITEM NO.	DESCRIPTION
----------	-------------

DC Deck Assembly

- 3 **Torque** P/N F553 (1/4-20 x 1 Hex Bolt W/Loctite, used on Gearbox Connector Tubes) and F554 (1/4-20 x 7/8 Hex Bolt W/Loctite, used on Gearbox Connector Tubes) to 90 lb·in. (10.2 N·m).
- 4 **Torque** P/N F018 (5/8-18 Hex Nut) to 60 lb·ft (81.4 N·m). **DO NOT** apply Loctite®.

NOTE: Model DC48 is shown here. Refer to individual deck assemblies for exact locations and quantities of items listed above.

FASTENER LOCTITE® APPLICATION & TORQUE INSTRUCTIONS



LUBRICATION POINTS

ITEM NO.	LOCATION	LUBRICATION TYPE	NO. PLACES
----------	----------	------------------	------------

ITEM NO.	LOCATION	LUBRICATION TYPE	NO. PLACES
----------	----------	------------------	------------

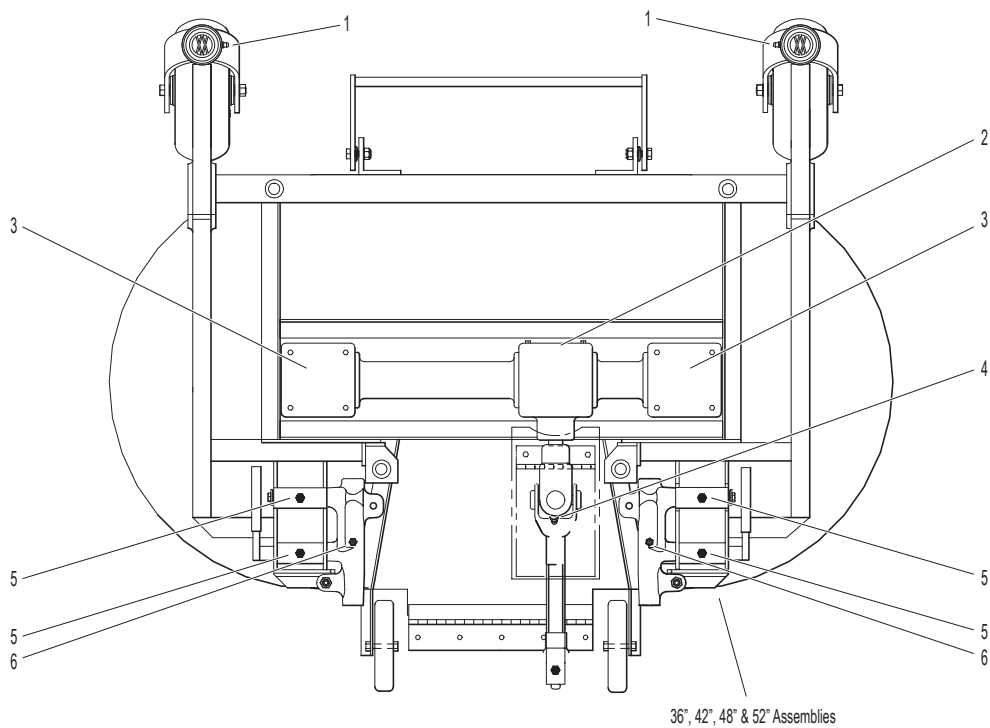
36", 42", 48" & 52" Assemblies

1	Deck Caster Wheel Fork Pivot	Grease	2
2	Tee Gearbox, Deck	Oil*	1
3	Blade Drive Gearbox	Oil*	2
4	Universal Joint Shaft Assembly	Grease**	1
5	Pivot Assembly, Tilt-Up Deck	Grease	4
6	Deck Support Arm Socket	Grease	2

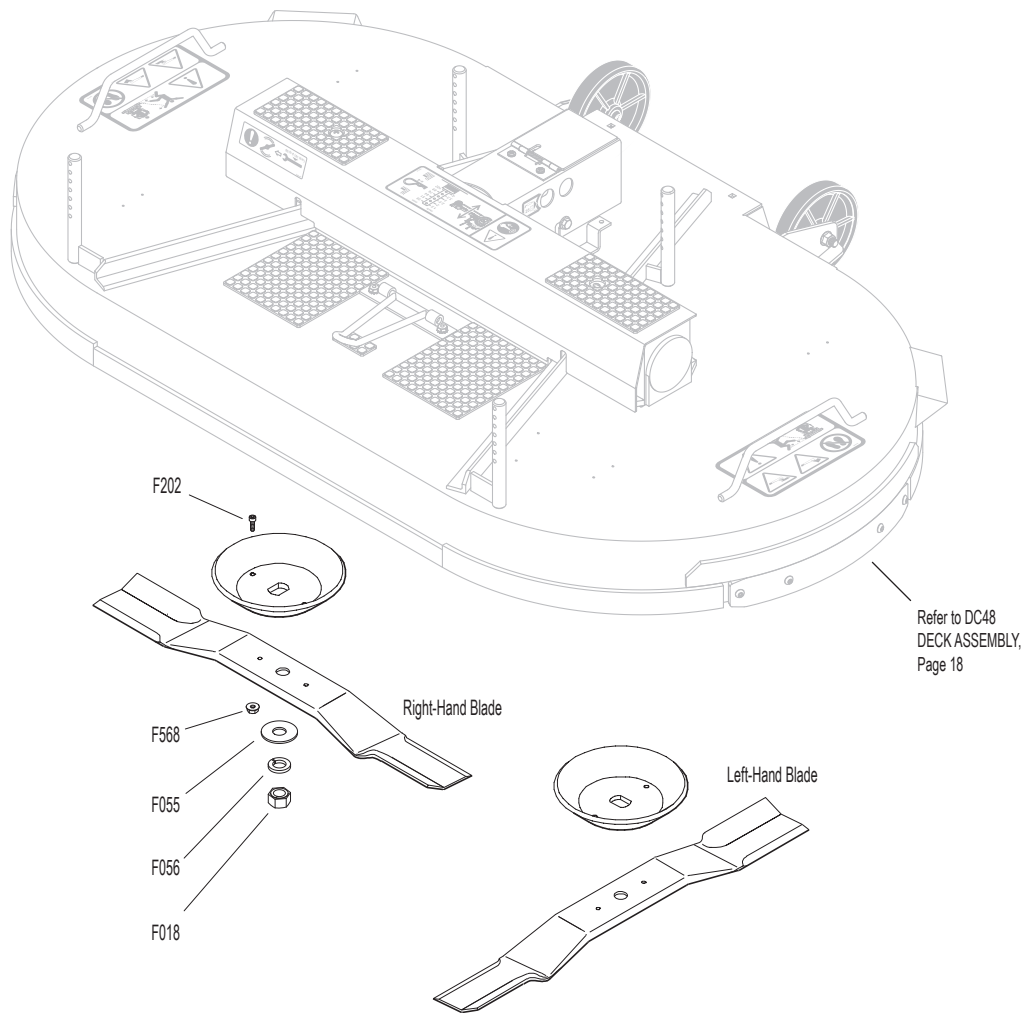
* Gearboxes are permanently lubricated and sealed requiring no scheduled lubrication. Oil level should be checked only when an oil leak is noted.

** Grease every 25 hours.

NOTE: Exact location of some Lubrication Points may vary slightly from those shown in the illustration. Decks shown in the illustration are for reference only; for further information on location of parts not shown here, refer to the parts listings for individual Carrier Frames and Deck Assemblies.



BLADE USAGE CHART



TWO BLADE DECKS	RH BLADE	LH BLADE	BLADE SET
DC36R	5705-36	5705-35	
DC42	5705-4	5705-3	5705-8
DC42R	5705-3	5705-4	5705-8
DC48	7705-2	7705-1	7705-3
DC48R	7705-1	7705-2	7705-3
DC52R	7705-6	7705-7	7705-9

Right hand and left hand orientated with operator on seat.

All blade sets include 5706 (Blade Hub & Trash Guard), F202 & F568 unless otherwise specified.

MAINTENANCE AND SERVICE RECORD SHEET

DATE	SERVICE ITEM	ENGINE HOURS

DECK / TRACTOR COMPATIBILITY CHART						
	DC36R	DC42	DC42R	DC48	DC48R	DC52R
S14 GHS	*	X	X			
S14i GHS	*	X	X			
S18 GHS	*	X	X		X	
C19 GHS	*	X	X	X	X	X
C19i GHS	*	X	X	X	X	X
T23 GHS	*	X	X	X	X	X
T25i GHS	*	X	X	X	X	X
T27i GHS	*	X	X	X	X	X
T30i GHS	*	X	X	X	X	X
D21d GHS	*	X	X	X	X	X
	X *	Deck and tractor are fully compatible. Requires narrow drive tires.				

LIMITED WARRANTY FOR WALKER COMMERCIAL RIDER MOWER

1. WHAT THIS WARRANTY COVERS, AND FOR HOW LONG:

Walker Manufacturing company will, at its option, repair or replace, without charge, any part covered by this warranty which is found to be defective in material and/or workmanship within two (2) years after the date of sale to the original retail purchaser unless the product is used for rental purposes, in which case this warranty is limited to ninety (90) days. At Walker's request, customer will make the defective part available for inspection by Walker and/or return the defective part to Walker, transportation charges prepaid. All parts and components of the Walker Mower are covered by this warranty.

2. WHAT THIS WARRANTY DOES NOT COVER:

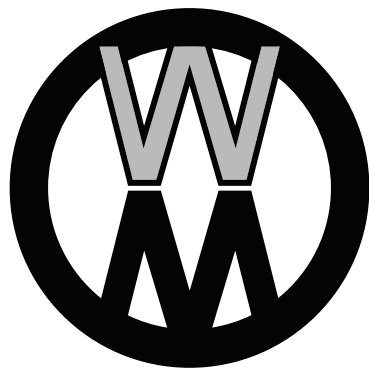
- A. This warranty does not cover defects caused by depreciation or damage caused by normal wear, accidents, improper maintenance, improper use or abuse of the product, alterations, or failure to follow the instructions contained in the Operator's Manual for operation and maintenance.
- B. The customer shall pay any charges for making service calls and/or for transporting the mower to and from the place where the inspection and/or warranty work is performed.

3. HOW TO OBTAIN SERVICE UNDER THIS WARRANTY:

Warranty service can be arranged by contacting the dealer where you purchased the mower or by contacting Walker Manufacturing Company, 5925 East Harmony Road, Ft. Collins, CO 80528. Proof of the date of purchase may be required to verify warranty coverage.

4. WARRANTY LIMITATION:

- A. **THERE IS NO OTHER EXPRESS WARRANTY. ANY WARRANTY THAT MAY BE IMPLIED FROM THIS PURCHASE INCLUDING MERCHANTABILITY AND FITNESS FOR A PARTICULAR PURPOSE IS HEREBY LIMITED TO THE DURATION OF THIS WARRANTY AND TO THE EXTENT PERMITTED BY LAW ANY AND ALL IMPLIED WARRANTIES ARE EXCLUDED.** Some states do not allow limitations on how long an implied warranty lasts, so the above limitations may not apply to you.
- B. **WALKER WILL NOT BE LIABLE FOR ANY INCIDENTAL, CONSEQUENTIAL, OR SPECIAL DAMAGES AND/OR EXPENSES IN CONNECTION WITH THE PURCHASE OR USE OF THE MOWER.** Some states do not allow the exclusion or limitation of incidental or consequential damages, so the above limitation(s) or exclusion(s) may not apply to you.
- C. Only the warranty expressed in this limited warranty shall apply and no dealer, distributor, or individual is authorized to amend, modify, or extend this warranty in any way. Accordingly, additional statements such as dealer advertising or presentations, whether oral or written, do not constitute warranties by Walker, and should not be relied upon.
- D. This warranty gives you specific legal rights, and you may also have other rights which vary from state to state.



WALKER

WALKER MFG. CO. • 5925 E. HARMONY ROAD, FORT COLLINS, CO 80528 • (970) 221-5614
FORM NO. 111219 PRINTED IN USA www.walker.com ©2019 WALKER MFG. CO