

ML12

SMALL ARTICULATED LOADER



OPERATING WEIGHT	
Open cab	2,425 lb. (1100 kg)
Enclosed cab	—

OVERALL DIMENSIONS	
Overall height	81.1 in. (2060 mm)
Overall length:	
Without bucket	87.0 in. (2211 mm)
Machine width	36.2 in. (920 mm)

LOADER PERFORMANCE SPECS	
Lifting height	85.4 in. (2170 mm)
Tipping load (ISO) – Straight	2,205 lb. (1000 kg)
Lifting capacity	2,425 lb. (1100 kg)

ELECTRICAL	
System voltage	12 volts
Alternator	40 amp
Battery	52 AHR 520 cold-cranking amps

— Not available.

ENGINE	
Model	Kubota D902
Emissions certification	Tier 4 Final Certified
Cylinders	3
Displacement	54.8 in. ³ (0.898 L)
Fuel	Diesel
Exhaust aftertreatment	—
Engine speeds	RPM
Rated – full load	3,600
Horsepower @ 3,600 RPM – SAE J1349:	
Gross	25 hp (18.5 kW)
Peak torque @ 2,600 RPM	41.4 lb-ft (56.1 N·m)

DRIVETRAIN	
Transmission type	Hydrostatic
Differential type	Hydraulic controlled
Parking brake:	Hydraulic multidisk
Type	brake
Max. travel speed	9.3 mph (15 kph)

HYDRAULICS	
Control valve type	Open center
Pump type	Fixed gear
Driving hydraulics:	
Flow rate	17.2 gpm (65 L/min)
Operating pressure	5,100 psi (350 bar)
Working Hydraulics:	
Total flow rate	7.4 gpm (28 L/min)
Operating pressure	2,200 psi (150 bar)
Auxiliary 1:	
Max. flow rate	7.4 gpm (28 L/min)
Pressure	2,200 psi (150 bar)
Auxiliary 2 — optional:	
Max. flow rate	7.4 gpm (28 L/min)
Pressure	2,200 psi (150 bar)
Continuous flow — optional:	
Max. flow rate	10.3 gpm (39 L/min)
Pressure	2,200 psi (150 bar)

SERVICE CAPACITIES	
Fuel tank	11.9 gal. (45 L)
Engine oil w/ filter	2.6 qt. (2.5 L)
Hydraulic system	13.7 gal. (52 L)
Engine coolant	1.1 gal. (4.35 L)

Standard Equipment

Operator Environment

- ROPS/FOPS safety roof
- Safety entry bar
- Key start
- Non-suspension vinyl seat
- Armrests
- Retractable seat belt
- Exterior mirrors

Engine

- Glow plug starting aid
- Engine block heater
- Locking fuel cap

Drivetrain

- Hydrostatic 4-wheel drive
- FNR control on joystick
- Electro-hydraulic controlled, manually activated differential
- Hydraulic parking brake

Hydraulics

- 3-spool main control valve
- 1x dual acting auxiliary hydraulics
- Attachment case drain return
- Loader arm float
- Oil cooler

Loader

- Standard lift path
- Mechanical self leveling
- Loader lift arm support strut
- CII mechanical attachment coupler
- Additional counterweights

Electrical

- 12 volt system
- 52 AHR, 520 CCA battery
- 40 A alternator
- 2 front cab work lights
- Remote jumpstart provision

Other Standard Features

- Tow coupling
- Lifting eyes
- Backup alarm
- Horn

Warranty

- Base warranty coverage: 2-Year/1,000-Hour Full Machine Limited Warranty

Optional Equipment

Engine

- Hand throttle

Drivetrain

- Hand inching creep control

Hydraulics

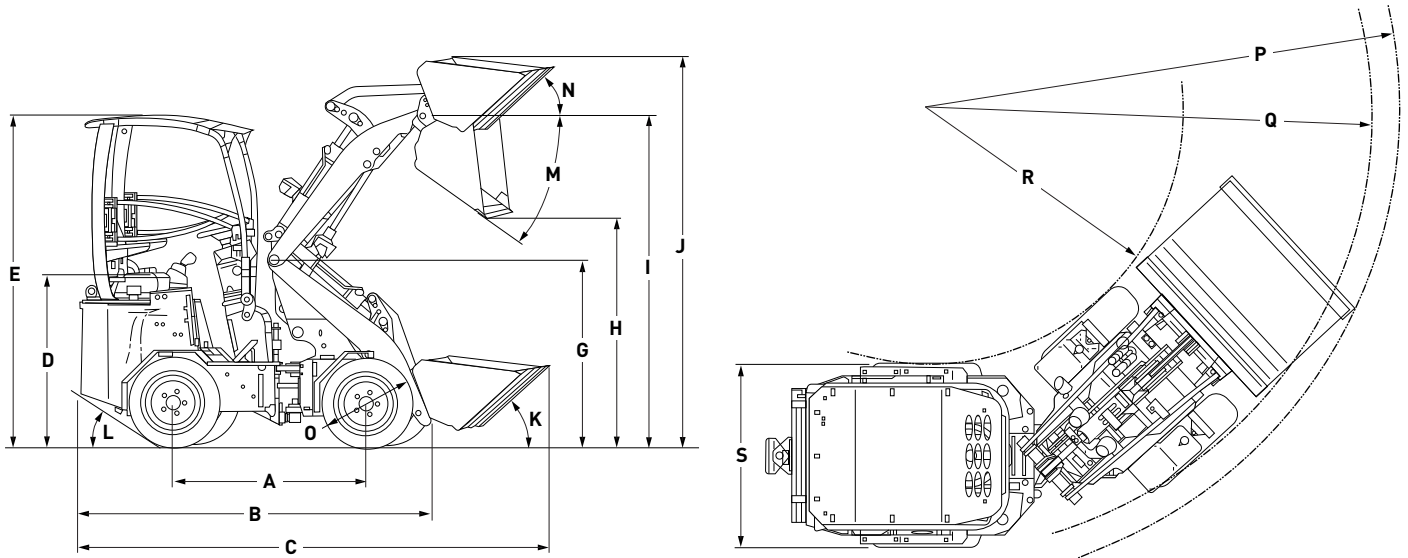
- 2x dual acting auxiliary hydraulics
- Auxiliary hydraulic hold function
- Continuous flow auxiliary hydraulics
- Hydraulic boom suspension (ride control)

Electrical

- 1 boom worklight
- 2 cab rear work lights
- 3-pin electrical auxiliary connection
- Rotating beacon light

Other

- English, Spanish, or French operator manual
- Groundskeeper tool carrying kit



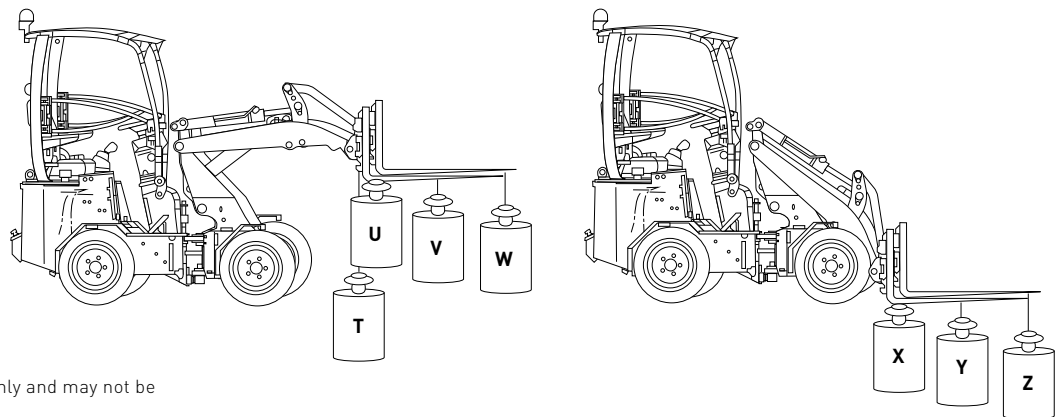
DIMENSIONS

A	Wheelbase	47.4 in. (1205 mm)
B	Total length	87.0 in. (2211 mm)
C	Length with bucket	114.6 in. (2911 mm)
D	Seat height	40.2 in. (1020 mm)
E	Max. height with safety roof	81.1 in. (2060 mm)
F	Max. height with cabin	—
G	Height front frame	54.3 in. (1380 mm)
H	Max. dumping height	55.4 in. (1408 mm)
I	Lifting height	85.4 in. (2170 mm)
J	Height with bucket	117.2 in. (2976 mm)
K	Rollback angle on the ground	43°
L	Rollback angle at max. lift height	45°
M	Max. dumping angle	46°
N	Max. loading angle	34°
O	Outer size of tires	22.4 in. (570 mm)
P	Maximum radius external	87.6 in. (2225 mm)
Q	Turning radius on outer edge	77.4 in. (1967 mm)
R	Inner turning radius	38.5 in. (978 mm)
S	Width on standard tires	36.2 in. (920)

— Not available.

TIPPING LOADS

T	2,200 lb. (1000 kg)
U	1,760 lb. (800 kg)
V	1,210 lb. (550 kg)
W	900 lb. (410 kg)
X	3,730 lb. (1690 kg)
Y	1,850 lb. (840 kg)
Z	1,120 lb. (510 kg)



Line drawings are for illustrative purpose only and may not be exact representation of unit.



New Holland Construction
500 Diller Ave.
New Holland, PA 17557

Learn more at www.newholland.com



Design, materials and/or specifications are subject to change without notice and without liability therefor. Specifications are applicable to units sold in Canada, the United States, its territories and possessions, and may vary outside these areas.

© 2023 CNH Industrial America LLC. All rights reserved. New Holland is a trademark registered in the United States and many other countries, owned by or licensed to CNH Industrial N.V., its subsidiaries or affiliates. Any trademarks referred to herein, in association with goods and/or services of companies, other than owned by or licensed to CNH Industrial N.V., its subsidiaries or affiliates, are the property of those respective companies.



Safety begins with a thorough understanding of the equipment. Always make sure you and your operators read the Operator's Manual before using the equipment. Pay close attention to all safety and operating decals and never operate machinery without all shields, protective devices and structures in place.