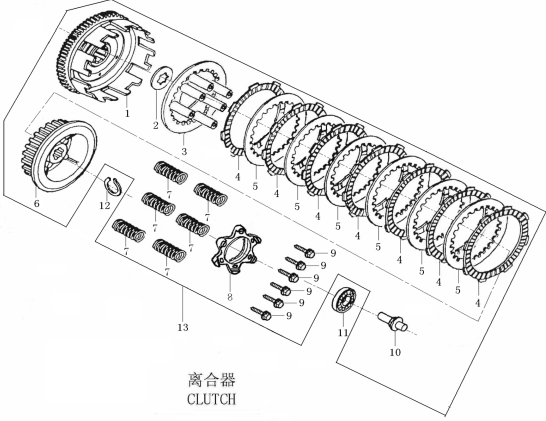
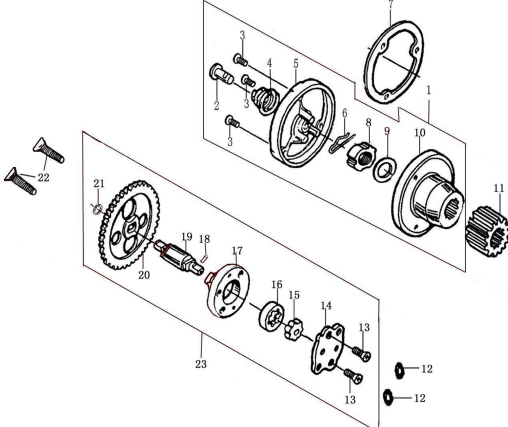
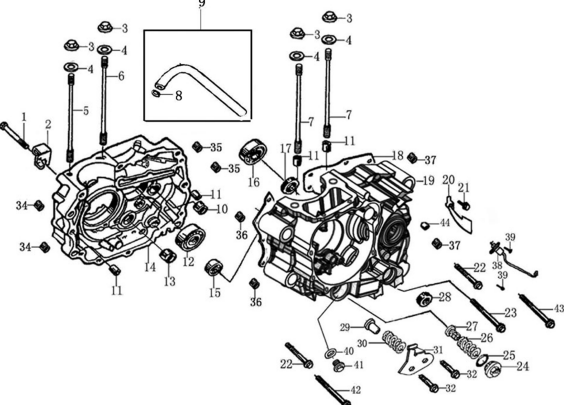
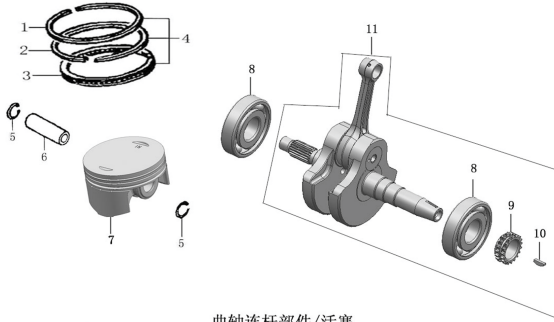


CLUTCH ASSY	POS.	PART NO.	ERP CODE	ENGLISH NAME	QTY
 <p>离合器 CLUTCH</p>	1	100203002		Out Case Assembly Clutch	1
	2	100103341		Washer	1
	3	100050125		Pressure Plate Clutch	1
	4	100050121		Drive Friction Disk	7
	5	100103422		Outer Friction Disk A	6
	6	100050124		Center Sleeve Clutch	1
	7	100050122		SPRING, Clutch	6
	8	100103373		End Cover Clutch	1
	9	100100429-0003		Bolt,M5*20	6
	10	100103436		Pushing Rod Clutch	1
	11	100010690		BEARING (16003)	1
	12	100100601		ELASTIC CHECK RING	1
	13	100202857		Clutch Assy	1

OIL PUMP/OIL FILTER	POS.	PART NO.	ERP CODE	ENGLISH NAME	QTY
 <p>机油泵部件/机油滤清器部件 OIL PUMP/OIL FILTER</p>	1	100200006		Oil Filter Comp	1
	2	100104843		OIL PIPE	1
	3	100010969-0001		SCREW M5*12	3
	4	100104844		SPRING, OIL PIPE	1
	5	100104849-0001		OIL FILTER COVER	1
	6	100104850		OPEN PIN	1
	7	100104600		Gasket Oil Filter	1
	8	100100524		NUT	1
	9	100103345		DISH WASHER, CLUTCH	1
	10	100200018		OIL FILTER BODY	1
	11	100103485		PRIMARY DRIVE GEAR	1
	12	100107842		O-RING φ9.4*2.4	2
	13	100010946-0003		SCREW M4*10	2
	14	100204759		OIL PUMP COVER	1
	15	100204771		INNER ROTOR, OIL PUMP	1
	16	100204777		OUTER ROTOR, OIL PUMP	1
	17	100204767		OIL PUMP BODY	1
	18	100032890		PIN φ2.5*10	1
	19	100204754		SHAFT,OIL PUMP	1
	20	100100135		GEAR,OIL PUMP	1
	21	100011111		CIRCLIP 6	1
	22	100010974-0001		SCREW M6*30	2
	23	100100061		OIL PUMP ASSY	1

CRANKCASE	POS.	PART NO.	ERP CODE	ENGLISH NAME	QTY
 <p>曲轴箱 CRANKCASE</p>	1	100011543-0001		BOLT M6*65	1
	2	100203093-0005		HOLDER,CLUTCH CABLE	1
	3	100100508-0007		NUT M8	4
	4	100106576		WASHER 8.5*2*18	4
	5	100204636		Cylinder Stud Bolt A	1
	6	100100256		Cylinder Stud Bolt A	1
	7	100100311		Cylinder Stud Bolt B	2
	8	100105484		CLAMP	2
	9	100102977		PIPE ASSY	1
	10	100101073		BEARING (NK15*27*12)	1
	11	100010557		PIN 10*14	4
	12	100010672		BEARING (6006)	1
	13	100101062		BEARING (HK21*28*10)	1
	14	100066535-0002		RIGHT CRANKCASE BLOCK	1
	15	100101026		BEARING (TM6202Z)	1
	16	100100951		BEARING (6204)	1
	17	100104700		OIL SEAL 20*34*7	1
	18	100066537		GASKET,CRANKCASE	1
	19	100066536-0002		LEFT CRANKCASE BLOCK	1
	20	100102900		POSITION PLATE	1
	21	100055591-0006		BOLT M6*12	1
	22	100011540-0007		BOLT M6*50	7
	23	100011545-0001		BOLT M6*100	1
	24	100102871-0002		COVER, VALVE CHAMBER	1
	25	100107766		O-RING 35*3	1
	26	100104866		SPRING,OIL FILTER STRAINER	1
	27	100104943		STRAINER,OIL FILTER	1
	28	100104650		OIL-SEAL 14*28*7	1
	29	100103000		PRESSING PIN BODY UPPER PIN	1
	30	100206029		PRESSING PIN BODY SPRING	1
	31	100202748		ASSEMBLY, CHAIN PROTECT PLATE	1
	32	100011173-0003		BOLT M6*16	2
	33	100107409		ABSORBER SLEEVE	2
	34	100107406		ABSORBER SLEEVE	2
	35	100107516		ABSORBER SLEEVE	2
	36	100107515		ABSORBER SLEEVE	2
	37	100208372-0002		GEARSHIFT SWITCH COMP	1
	38	100100472		SCREW	2
	39	100106548		WASHER 12.1*2*20	1
	40	100100331-0006		OIL DRAIN PLUG	1
	41	100011542-0001		BOLT M6*60	1
	42	100031959-0007		BOLT M6*70	1
	43	100101202		BEARING	1

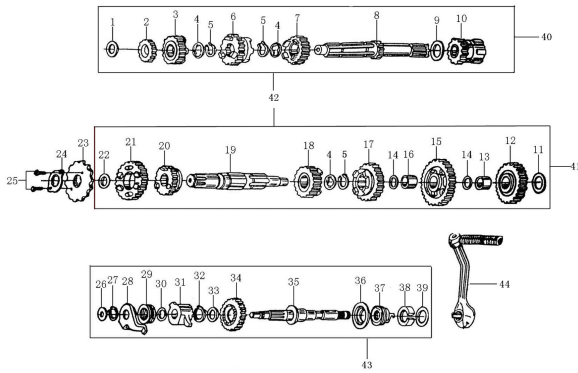
CRANKSHAFT CONNECTING-ROD ASSY/PISTON



曲轴连杆部件/活塞
CRANKSHAFT CONNECTING-ROD ASSY/PISTON

POS.	PART NO.	ERP CODE	ENGLISH NAME	QTY
1	100107432		Piston Ring,1	1
2	100077402		Piston Ring,2	1
3	100077401		Oil Ring,Assy	1
4	100077394		Piston Ring,Comp	1
5	100100590		Check Ring Piston Pin	2
6	100101541		Pin,Piston	1
7	100055160		Piston	1
8	100066540		BearRing,(TM63/28X1E2/P5)	2
9	100101986		Timing Gear	1
10	100100643		Semicircular Key	1
11	100066539		Crankshaft Connecting-Rod Assy	1

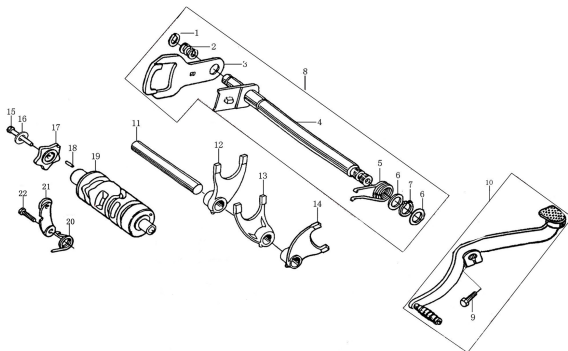
TRANSMISSION MECHANISM



传动机构
TRANSMISSION MECHANISM

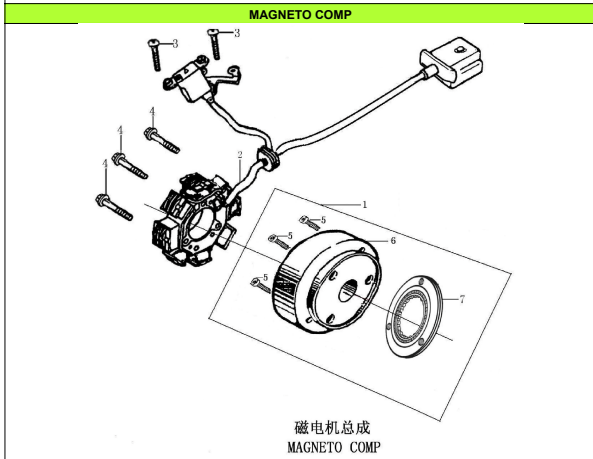
POS.	PART NO.	ERP CODE	ENGLISH NAME	QTY
1	100106510		WASHER 15.2×1×25	1
2	100103627		GEAR M-2	1
3	100103630		GEAR M-5	1
4	100103647		WASHER	3
5	100100596		CIRCLI φ18.5×1.2×φ22.1	3
6	100103629		GEAR M-4	1
7	100103628		GEAR M-3	1
8	100052667		TRANSMISSION MAIN SHAFT	1
9	100106525		WASHER 20.2×0.5×27	1
10	100103664		FINAL SHAFT	1
11	100106511		WASHER 15.2×1×30	1
12	100103778		GEAR	1
13	100103565		GEAR BUSH	1
14	100106434		WASHER 16.5×0.5×24	2
15	100103743		GEAR C-1	1
16	100203405		GEAR BUSH	1
17	100103741		GEAR C-3	1
18	100103739		GEAR C-4	1
19	100103689		TRANSMISSION COUNTER SHAFT	1
20	100103740		GEAR C-5	1
21	100103737		GEAR C-2	1
22	100106460		WASHER 20×1×27	1
23	100103810		DRIVE SPROCKET	1
24	100103850		FIXING PLATE,DRIVE SPROCKET	1
25	100031911-0004		BOLT M6×10	2
26	100106396		WASHER 12.1×1×18	1
27	100011098		CIRCLI 16	1
28	100105793		GUIDE PLATE ASS.	1
29	100105788		SPRING, KICK STARTING RATCHET WHEEL	1
30	100106425		WASHER 16.1×1×24	1
31	100105783		STARTING RATCHET	1
32	100100598		CIRCLI φ18.5×1.2×φ22.4	1
33	100106522		WASHER 20×0.5×27	1
34	100102487		GEAR, KICK STARTER	1
35	100105753-0001		PIVOT, KICK STARTING SHAFT	1
36	100105740		SEAT, SPRING, KICK STARTING SHAFT	1
37	100105746		RETURN SPRING, KICK STARTING SHAFT	1
38	100105763		COLLAPSIBLE	1
39	100106426		WASHER 16.1×1×30	1
40	100066761		MAIN SHAFT, TRANSMISSION	1
41	100203556		COUNTERSHAFT TRANSMISSION	1
42	100066762		TRANSMISSION MAIN. COUNTER SHAFT	1
43	100201863		KICK STARTING SHAFT ASSEMBLY	1
44	100303403		START-UP BAR COMP	1

GEARSHIFT MECHANISM



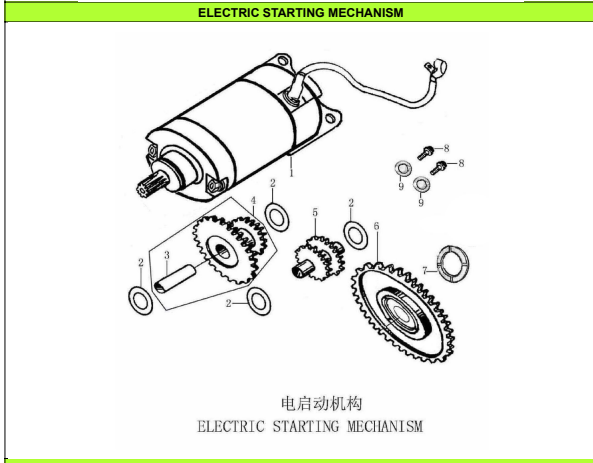
换挡机构: GEARSHIFT MECHANISM

POS.	PART NO.	ERP CODE	ENGLISH NAME	QTY
1	100011095		CIRCLI 12	1
2	100103977		SPRING, GEARSHIFT PLATE	1
3	100103999		GEARSHIFT PLATE	1
4	100203918-0004		GEARSHIFT SHAFT COMP	1
5	100203926		RETURN SPRING	1
6	100106402		WASHER 14×0.5×20	2
7	100011096		CIRCLI 14	1
8	100050303-0001		GEARSHIFT LEVER COMP	1
9	100011174-0006		BOLT M6×20	1
10	100204027		GEARSHIFT SHAFT	1
11	100103914		SHAFT , GEARSHIFT FORK	1
12	100103895		RIGHT FORK, COUNTERSHAFT	1
13	100103904		CENTER FORK, MAINSHAFT	1
14	100103899		LEFT FORK, COUNTERSHAFT	1
15	100100420-0002		BOLT M6×25	1
16	100010886-0005		WASHER φ6	1
17	100103943		STOPPING PLATE	1
18	100032886		PIN 4×10	1
19	100203840		GEARSHIFT DRUM	1
20	100052781		SPRING ,LOCATING PLATE	1
21	100059046		LOCATING PLATE ASSY	1
22	100011174-0004		BOLT M6×20	1



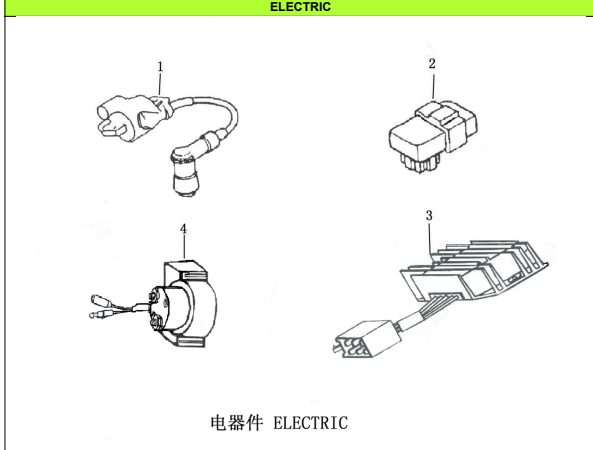
磁电机总成
MAGNETO COMP

POS.	PART NO.	ERP CODE	ENGLISH NAME	QTY
1	82130-1008-0104		ROTOR ASSY,MAGNETO	1
2	82120-1008-020043		STATOR ASSY,MAGNETO	1
3	B057830005001620X		BOLT M5*16	2
4	B057830005002520X		BOLT M5*25	3
5	91197-1008-00000C		BOLT M8*18	3
6	82130-1008-0101		ROTOR ASSY,MAGNETO	1
7	21300-LA73-0000		ASSEMBLY, OVERRUNNING CLUTCH	1



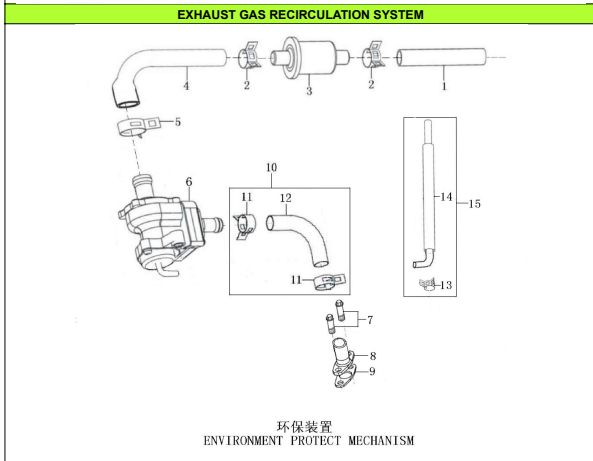
电启动机构
ELECTRIC STARTING MECHANISM

POS.	PART NO.	ERP CODE	ENGLISH NAME	QTY
1	100104261-0011		STARTING MOTOR ASSY	1
2	93301-51050518000		WASHER 10.5*0.5*18	4
3	21402-1008-0100		SHAFT,REDUCTION	1
4	100202662		GEAR, REDUCTION, 1	1
5	21401-ME13-0000		GEAR, REDUCTION, 2	1
6	100103269		PLATE GEAR ASSY	1
7	21319-LE26-0000		WASHER 22*9.5*34	1
8	B057890006002870X		BOLT M6*28	2
9	82202-IE20-0000		WASHER	2



电器件 ELECTRIC

POS.	PART NO.	ERP CODE	ENGLISH NAME	QTY
1	81100-1008-000050		IGNITION COIL	1
2	81200-ME05-0000		C.D.I	1
3	83100-1008-010020		RECTIFIER	1
4	82290-1049-000016		RELAY	1



环保装置
ENVIRONMENT PROTECT MECHANISM

POS.	PART NO.	ERP CODE	ENGLISH NAME	QTY
1	100105392		Connecting Pipe	1
2	100105407		Hoop	2
3	100202348-0002		Sec.Air Box Valve	1
4	100101029		Connecting Pipe	1
5	100105404		Hoop	1
6	100103126-1365		Gas Pump	1
7	100055589-0006		Bolt, M6*16	2
8	100062382		Iron Pipe	1
9	100104640		Paper Gasket	1
10	100202024-0124		Rubber Pipe	1
11	100204846-1516		Clamp	2
12	100103126-1347		Rubber Pipe	1
13	100202024-0139		Clamp	1
14	100105474		Rubber Pipe	1
15	100202024-0129		Rubber Pipe	1