

greenworks

pro™

2101202

EN STRING TRIMMER

OPERATOR MANUAL

FR COUPE-HERBE

MANUEL DE L'UTILISATEUR

ES CORTABORDES

MANUAL DEL OPERADOR



STB456

www.greenworkstools.com

1	Description.....	4	9.3	Stop the machine.....	8
1.1	Purpose.....	4	9.4	Adjust the length of the cutting line.....	8
1.2	Install the battery pack.....	4	9.5	Attach machine to shoulder strap.....	9
1.3	Overview.....	4	9.6	Operation tips.....	9
2	Important safety instructions.....	4	9.7	Cutting tips.....	9
3	Symbols on the machine.....	5	9.8	Adjust the cutting diameter.....	10
4	Risk levels.....	6	9.9	Line cut-off blade.....	10
5	Service.....	6	10	Maintenance.....	10
6	Environmentally safe battery disposal.....	6	10.1	General information.....	10
7	Proposition 65.....	6	10.2	Clean the machine.....	10
8	Installation.....	6	10.3	Remove excess line.....	10
8.1	Unpack the machine.....	6	10.4	Install the cutting line.....	11
8.2	Attach the guard.....	7	10.5	Remove the trimmer head.....	11
8.3	Assemble the shaft.....	7	10.6	Assemble the trimmer head.....	12
8.4	Attach the auxiliary handle.....	7	11	Transportation and storage.....	12
8.5	Install the battery pack.....	8	11.1	Move the machine.....	12
8.6	Remove the battery pack.....	8	11.2	Store the machine.....	12
9	Operation.....	8	12	Troubleshooting.....	12
9.1	Controls.....	8	13	Technical data.....	13
9.2	Start the machine.....	8	14	Limited warranty.....	14
			15	Exploded view.....	15

1 DESCRIPTION

1.1 PURPOSE

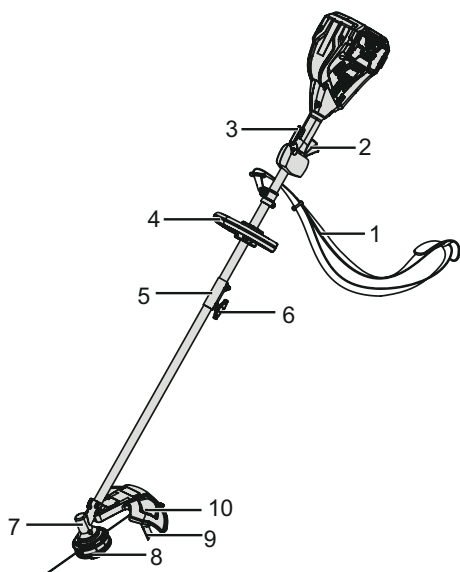
This machine is used to cut grass, light weeds, and other similar vegetation at or around ground level. The cutting plane must be approximately parallel to the ground surface. You cannot use the machine to cut or chop hedges, shrubs, bushes, flowers and compost.

1.2 INSTALL THE BATTERY PACK

Figure .

1. Place the battery pack to the product. Align the raised ribs on the battery pack with the grooves in the trimmer's battery port.
2. Make sure the latch at the bottom of the battery pack snaps in place and that the battery pack is securely attached to the product before beginning operation.

1.3 OVERVIEW



- 1 Shoulder strap
- 2 Trigger
- 3 Lock-out lever
- 4 Auxiliary handle
- 5 Coupler
- 6 Knob
- 7 Gear box
- 8 Trimmer head
- 9 Cut-off blade
- 10 Guard

2 IMPORTANT SAFETY INSTRUCTIONS

READ ALL INSTRUCTIONS BEFORE USING (THIS POWER TOOL)

▲ WARNING

Read and understand all instructions before using this product. Failure to follow all instructions listed below may result in electric shock, fire, and/or serious personal injury.









- Use only identical manufacturer's replacement parts and accessories. Use of any other parts may create a hazard or cause product damage.
- Always wear safety glasses with side shields marked to comply with ANSI Z87.1. Everyday glasses have only impact resistant lenses. They are NOT safety glasses. Following this rule will reduce the risk of eye injury. Use face mask if operating in dusty work spaces.
- Avoid Dangerous Environment – Don't expose power tools to damp or wet conditions. Water entering a power tool will increase the risk of electric shock.
- Don't use in rain.
- Keep all bystanders, children, and pets at least 50 ft. away.
- Dress Properly – Do not wear loose clothing or jewelry. They can be caught in moving parts. Use of rubber gloves and substantial footwear is recommended when working outdoors. Wear protective hair covering to contain long hair.
- Use right Appliance. Do not use appliance for any job except that for which it is intended.
- Avoid Unintentional Starting – Don't carry appliance with finger on switch. Be sure switch is off when battery is plugged in.
- Don't Force Appliance – It will do the job better and with less likelihood of a risk of injury at the rate for which it was designed.
- Don't overreach – Keep proper footing and balance at all times.
- Stay alert – Watch what you are doing. Use common sense. Do not operate this unit when you are tired, ill or under the influence of alcohol, drugs or medication.
- Always store idle power tools indoors – When not in use, power tools should be stored indoors in a dry and high or locked-up place, out of reach of children.
- Maintain Appliance With Care – Replace string head if cracked, chipped, or damaged in any way. Be sure the string head is properly installed and securely fastened. Keep cutting edge sharp and clean for best performance and to reduce the risk of injury. Follow instructions for lubricating and changing accessories. Inspect appliance cord periodically, and if damaged, have it repaired by an authorized service facility. Inspect extension cords periodically and replace if damaged. Keep handles dry, clean, and free from oil and grease. Failure to do so can cause serious injury.

- Check damaged parts before using the appliance, a guard or other part that is damaged should be carefully checked to determine that it will operate properly and perform its intended function. Check for alignment of moving parts, binding of moving parts, breakage of parts, damaged mountings, and any other condition that may affect its operation. A guard or other part that is damaged should be properly repaired or replaced by an authorized service center unless indicated elsewhere in this manual.
- Remove or disconnect battery before servicing, cleaning or removing material from the gardening appliance.
- Do not modify or attempt to repair the appliance or the battery pack (as applicable) except as indicated in the instructions for use and care. Use appliances only with specifically designated battery packs. Use of any other battery packs may create a risk of injury and fire. Use only with Greenworks 2901302/BAB726/BAB727 battery or other BAB series.
- Recharge only with the charger specified by the manufacturer. A charger that is suitable for one type of battery pack may create a risk of fire when used with another battery pack. Use only with Greenworks 2901402 charger or other CAB series.
- When battery pack is not in use, keep it away from other metal objects, like paper clips, coins, keys, nails, screws or other small metal objects, that can make a connection from one terminal to another. Shorting the battery terminals together may cause a fire.
- Under abusive conditions, liquid may be ejected from the battery; avoid contact. If contact accidentally occurs, flush with water. If liquid contacts eyes, additionally seek medical help. Liquid ejected from the battery may cause irritation or burns.
- Do not use a battery pack or appliance that is damaged or modified. Damaged or modified batteries may exhibit unpredictable behavior resulting in fire, explosion or risk of injury.
- Do not expose a battery pack or appliance to fire or excessive temperature. Exposure to fire or temperature above 265 °F (130 °C) may cause an explosion.
- Do not dispose of the batteries in a fire. The cells may explode. Check with local codes for possible special disposal instructions.
- Do not open or mutilate the batteries. Released electrolyte is corrosive and may cause damage to the eyes or skin. It may be toxic if swallowed.
- Exercise care in handling batteries in order not to short the battery with conducting materials such as rings, bracelets, and keys. The battery or conductor may overheat and cause burns.
- Follow all charging instructions and do not charge the battery pack or appliance outside of the temperature range specified in the instructions. Charging improperly or at temperatures outside of the specified range may damage the battery and increase the risk of fire.
- Have servicing performed by a qualified repair person using only identical replacement parts. This will ensure that the safety of the product is maintained.
- Keep guards in place and in working order.
- Keep hands and feet away from cutting area.
- Disconnect the battery pack from the appliance before making any adjustments, changing accessories, or storing appliance. Such preventive safety measures reduce the risk of starting the appliance accidentally.
- Use only with the nylon cutting line of 0.08" (2 mm) diameter. Do not use heavier lines than recommended by the manufacturer and line materials of other types – for example, metal wire, rope, and the like.

SAVE THESE INSTRUCTIONS




3 SYMBOLS ON THE MACHINE

Some of the following symbols can be used on this machine. Please study them and learn their definition. Proper interpretation of these symbols will let you operate the tool better and safer.

Symbol	Explanation
V	Voltage
A	Current
Hz	Frequency (cycles per second)
W	Power
min	Time
/min	Revolutions, strokes, surface speed, orbits etc., per minute
	Direct current
	Precautions that involve your safety.
	Read and understand all instructions before you operate the machine, and follow all warnings and safety instructions.
	Always wear safety glasses with side shields marked to comply with ANSI Z87.1 when you operate this machine.
	Do not expose the machine to rain or moist conditions.
	Keep all bystanders at least 15m away.
	Do not install or use any type of blade on the machine or displaying this symbol.
	Thrown objects can ricochet and result in personal injury or property damage.

4 RISK LEVELS

The following signal words and meanings are intended to explain the levels of risk associated with this product.

SYM-BOL	SIGNAL	MEANING
	DANGER	Indicates an imminently hazardous situation, which, if not avoided, will result in death or serious injury.
	WARNING	Indicates a potentially hazardous situation, which, if not avoided, could result in death or serious injury.
	CAUTION	Indicates a potentially hazardous situation, which, if not avoided, may result in minor or moderate injury.
	CAUTION	(Without Safety Alert Symbol) Indicates a situation that may result in property damage.

5 SERVICE

Servicing requires extreme care and knowledge and must be performed only by a qualified service technician. For service we suggest you return the machine to your nearest AUTHORIZED SERVICE CENTER for repair. Use only identical manufacturer's replacement parts and accessories.

6 ENVIRONMENTALLY SAFE BATTERY DISPOSAL



The toxic and corrosive materials below are in the batteries used in this machine: **Lithium-Ion, a toxic material.**

▲ WARNING

Discard all toxic materials in a specified manner to prevent contamination of the environment. Before discarding damaged or worn out Li-ion battery, contact your local waste disposal agency, or the local Environmental Protection Agency for information and specific instructions. Take the batteries to a local recycling and/or disposal center, certified for lithium-ion disposal.

▲ WARNING

If the battery pack cracks or breaks, with or without leaks, do not recharge it and do not use. Discard it and replace with a new battery pack. **DO NOT TRY TO REPAIR IT!** To prevent injury and risk of fire, explosion, or electric shock, and to avoid damage to the environment:

- Cover the terminals of the battery with heavy-duty adhesive tape.
- **DO NOT** try to remove or destroy any of the battery pack components.
- **DO NOT** try to open the battery pack.
- If a leak develops, the released electrolytes are corrosive and toxic. **DO NOT** get the solution in the eyes or on skin, and do not swallow it.
- **DO NOT** put these batteries in your regular household trash.
- **DO NOT** incinerate.
- **DO NOT** put them where they will become part of any waste landfill or municipal solid waste stream.
- Take them to a certified recycling or disposal center.

7 PROPOSITION 65

▲ WARNING

This product contains a chemical known to the state of California to cause cancer, birth defects or other reproductive harm. Some dust created by power sanding, sawing, grinding, drilling, and other construction activities contains chemicals known to cause cancer, birth defects or other reproductive harm. Some examples of these chemicals are:

- Lead from lead-based paints;
- Crystalline silica from bricks and cement and other masonry products;
- Arsenic and chromium from chemically treated lumber.

Your risk of exposure to these chemicals varies depending on how often you do this type of work. To reduce your exposure to these chemicals, work in a well-ventilated area, and work with approved safety equipment, such as dust masks that are specially designed to filter out microscopic particles.

8 INSTALLATION

8.1 UNPACK THE MACHINE

▲ WARNING

Make sure that you correctly assemble the machine before use.

▲ WARNING

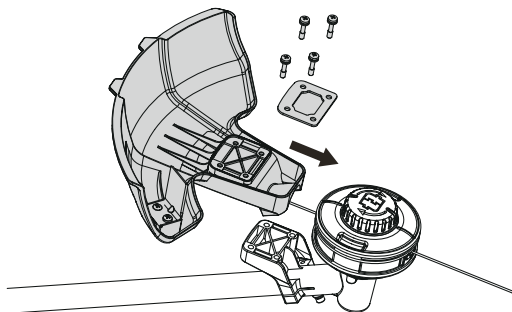
- If parts of the machine are damaged, do not use the machine.
- If you do not have all the parts, do not operate the machine.
- If parts are damaged or missing, contact the service center.

1. Open the package.
2. Read the documentation provided in the box.
3. Remove all the unassembled parts from the box.
4. Remove the machine from the box.
5. Discard the box and packing material in compliance with local regulations.

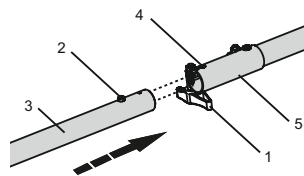
8.2 ATTACH THE GUARD**▲ WARNING**

Do not touch the cut-off blade.

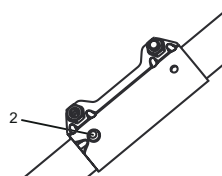
1. Remove the screws from the trimmer head with a Phillips screwdriver (not provided).
2. Put the guard onto the trimmer head.
3. Align the screw holes on the guard with the screw holes on the trimmer head.
4. Tighten the screws.

**8.3 ASSEMBLE THE SHAFT**

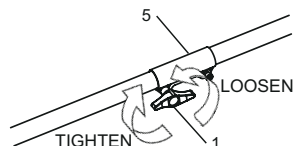
1. Loosen the knob (1) on the coupler.
2. Push in the release button (2) on the lower shaft (3).
3. Align the release button (2) with the positioning hole (4) and slide the two shafts.



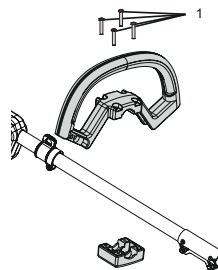
4. Turn the lower shaft until the button locks into the positioning hole.



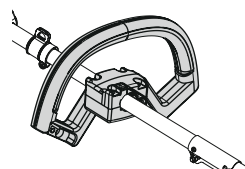
5. Tighten the knob.

**8.4 ATTACH THE AUXILIARY HANDLE**

1. Remove the screws from the handle with a Phillips screwdriver (not provided).

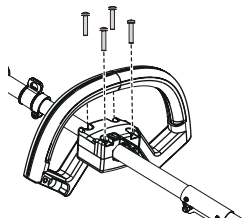


2. Attach the auxiliary handle and lower clamp on the shaft.



3. Set the auxiliary handle in the most comfortable in use position.

- Tighten the screws.

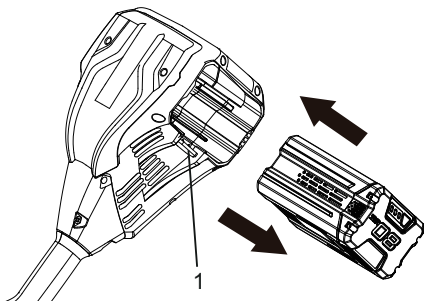


8.5 INSTALL THE BATTERY PACK

▲ WARNING

- If the battery pack or charger is damaged, replace the battery pack or the charger.
- Stop the machine and wait until the motor stops before you install or remove the battery pack.
- Read and understand the instructions in the battery and charger manual.

- Align the lift ribs on the battery pack with the grooves in the battery compartment.
- Push the battery pack into the battery compartment until the battery pack locks into place.
- When you hear a click, the battery pack is installed.



8.6 REMOVE THE BATTERY PACK

- Push and hold the battery release button.
- Remove the battery pack from the machine.

9 OPERATION

i IMPORTANT

Before you operate the machine, read and understand the safety regulations and the operation instructions.

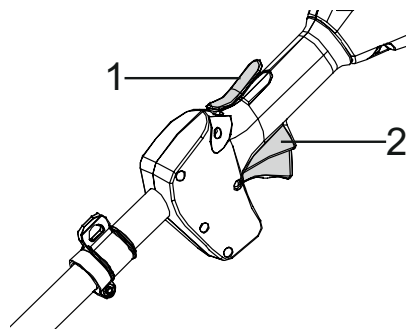
▲ WARNING

Be careful when you operate the machine.

9.1 CONTROLS

9.2 START THE MACHINE

- Push the lock-out lever (1) and pull the trigger (2).



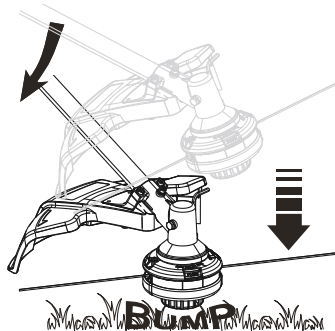
9.3 STOP THE MACHINE

- Release the trigger to stop the machine.

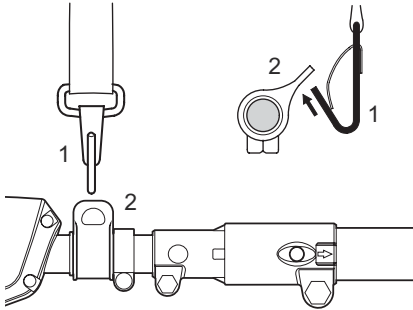
9.4 ADJUST THE LENGTH OF THE CUTTING LINE

While you operate the machine, the cutting line gets worn shorter. You can adjust the length of the cutting line.

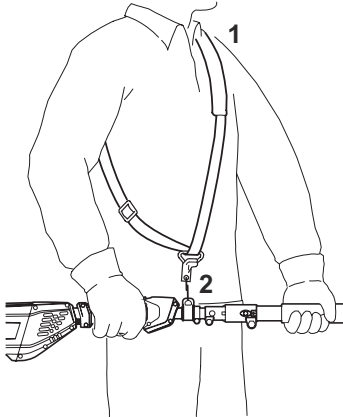
- Hit the trimmer head against the ground while you operate the machine.
- Line is automatically released and the cut-off blade cuts the excess length.



9.5 ATTACH MACHINE TO SHOULDER STRAP



1. Attach the carabiner to the carrying ring on the drive tube.



2. Put on the shoulder strap.
3. Adjust the length of the strap so that the carabiner is about a hand's width below your right hip.

9.6 OPERATION TIPS

▲ WARNING

Keep clearance between the body and the machine.

▲ WARNING

Do not operate the machine without guard in place.

Do these tips when you use the machine

- Keep a firm hold with the two hands on the machine while you operate the machine.
- Cut tall grass from the top down.

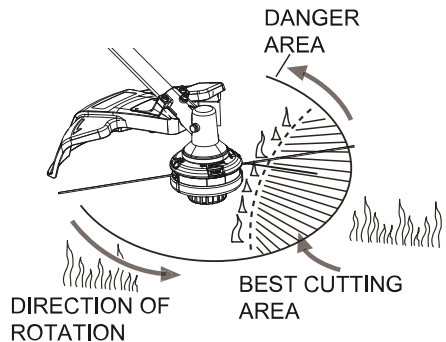
If grass winds around the trimmer head:

- Remove the battery pack.
- Remove the grass.



9.7 CUTTING TIPS

- Tilt the machine toward the area to be cut. Use the tip of the cutting line to cut grass.
- Move the machine from right to left to prevent thrown debris from hitting the operator.
- Do not cut in the danger area.
- Do not force the trimmer head into uncut grass.
- Wire and picket fences cause cutting line wear and breakage. Stone and brick walls, curbs, and wood can wear the cutting line quickly.



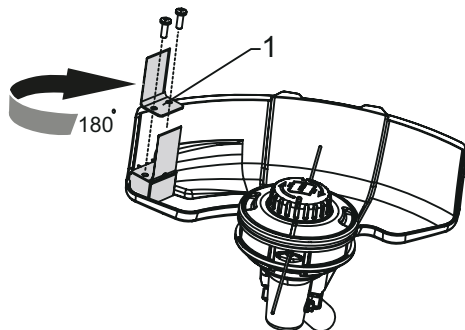
9.8 ADJUST THE CUTTING DIAMETER

i NOTE

The machine is set at a 14" (356 mm) cutting diameter. You can adjust to a 16" (406 mm) cutting diameter.

Set the cutting diameter to 14" (356 mm) for greater runtime and 16" (406 mm) for a larger cutting area.

1. Remove the battery pack.
2. Remove the blade screws from the cut-off blade (1).
3. Turn the cut-off blade 180°.
4. Tighten the blade screws.



9.9 LINE CUT-OFF BLADE

This trimmer is equipped with a line cut-off blade (1) on the guard. The line cut off blade continuously trims the line to ensure a consistent and efficient cut diameter. Advance line whenever you hear the motor running faster than normal, or when trimming efficiency diminishes. This will maintain best performance and keep line long enough to advance properly.

10 MAINTENANCE

i IMPORTANT

Read and understand the safety regulations and the maintenance instructions before you clean, repair or do the maintenance work on the machine.

i IMPORTANT

Make sure that all nuts, bolts and screws are tight. Examine regularly that you install the handles tightly.

i IMPORTANT

Use only the replacement parts and accessories of the initial manufacturer.

10.1 GENERAL INFORMATION

i IMPORTANT

Only your dealer or approved service center can do the maintenance that is not given in this manual.

Before the maintenance operations:

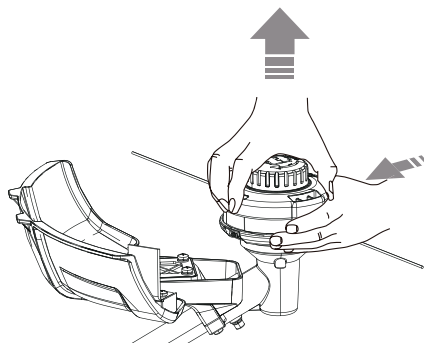
- Stop the machine.
- Remove the battery pack.
- Cool the motor.
- Store the machine in cool and dry place.
- Use correct clothing, protective gloves and safety glasses.

10.2 CLEAN THE MACHINE

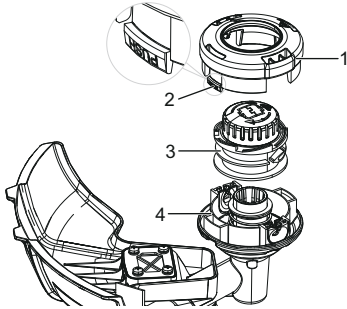
- Clean the machine after use with a moist cloth dipped in neutral detergent.
- Do not use aggressive detergents or solvents to clean the plastic parts or handles.
- Keep the trimmer head free of grass, leaves, or excessive grease.
- Keep the air vents clean and free of debris to avoid overheating and damage to the motor or the battery.
- Do not spray water onto the motor and electrical components.

10.3 REMOVE EXCESS LINE

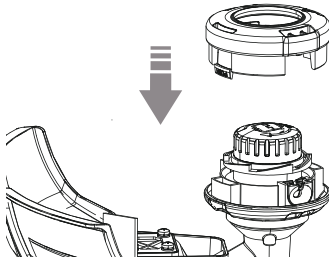
1. Push the tabs (2) on the sides of the trimmer head at the same time.



2. Pull and remove the spool cover (1).



3. Remove any remaining line.
4. Clean dirt and debris from all parts. Replace spool (3) if it is worn or damaged.
5. Align the spool tabs with the tab openings in the base of the spool (4).
6. Push the spool cover until it clicks into position.

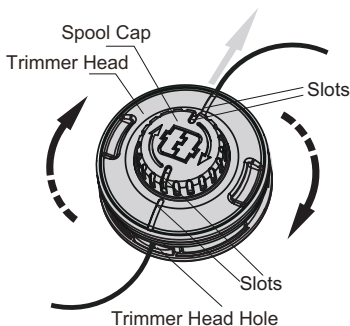


10.4 INSTALL THE CUTTING LINE

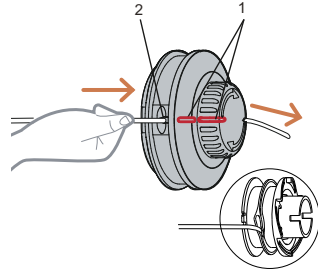
i NOTE

Do not put more than 15 feet of cutting line in at a time.

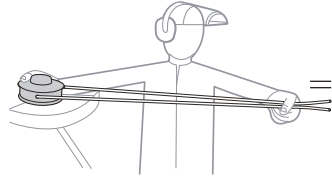
1. Remove the remaining cutting line on the spool.
2. Line up the slots (1) on the spool cap with the slots (2) on the trimmer head.



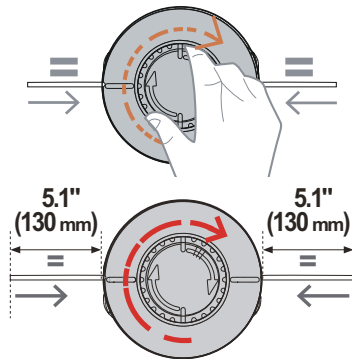
3. Put the cutting line through the hole. Push the cutting line until it exits the opposite hole.



4. Pull the cutting line through until there is an equal quantity of cutting line on each side.

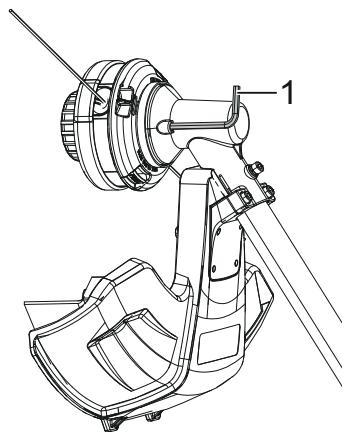


5. Turn the spool cap clock-wise to wind the cutting line into the trimmer head. Keep approximately 5 in of cutting line above out of each side of the trimmer head.

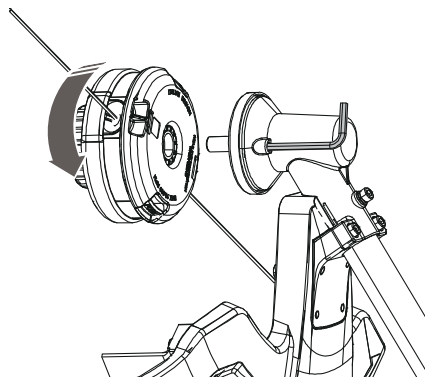


10.5 REMOVE THE TRIMMER HEAD

1. Put the metal rod (1) in the specified angle transmission hole to fix the trimmer head.



2. Turn the trimmer head clockwise to loosen it. Do not remove the spacer from the shaft.



10.6 ASSEMBLE THE TRIMMER HEAD

1. Put the metal rod in the specified angle transmission hole to fix the trimmer head.
2. Assemble the trimmer head.
3. Turn the trimmer head counterclockwise to tighten it.
4. Remove the metal rod.

i IMPORTANT

You must install the cut-off blade when you use the trimmer head.

11 TRANSPORTATION AND STORAGE

▲ WARNING

Remove the battery pack from the machine before transportation and storage.

11.1 MOVE THE MACHINE

When you move the machine, you must:

- Stop the machine.
- Remove the battery pack.

11.2 STORE THE MACHINE

- Remove the battery pack from the machine.
- Make sure that children cannot come near the machine.
- Keep the machine away from corrosive agents such as garden chemicals and de-icing salts.
- Secure the machine during transportation to prevent damage or injury. Clean and examine the machine for any damage.

12 TROUBLESHOOTING

Problem	Possible Cause	Solution
The machine does not start when you push the trigger.	No electrical contact between the machine and the battery pack.	1. Remove battery pack. 2. Check contact and install the battery pack again.
	The battery pack is depleted.	Charge the battery pack.
	The lock-out button and trigger are not pushed at the same time.	1. Pull the lock-out button and hold it. 2. Pull the trigger to start the machine.

Problem	Possible Cause	Solution
The machine stops when you cut.	The guard is not attached to the machine.	Remove the battery pack and attach the guard to the machine.
	Heavy cutting line is used.	Use only with the nylon cutting line of 0.08" (2 mm) diameter.
	The grass winds around the motor shaft or the trimmer head.	1. Stop the machine. 2. Remove the battery pack. 3. Remove the grass from the motor shaft and trimmer head.
	The motor is overloaded.	1. Remove the trimmer head from the grass. 2. The motor will recover to work as soon as the load is removed. 3. When you cut, move the trimmer head in and out of the grass to be cut and remove no more than 8" in pass.
	The battery pack or machine is too hot.	1. Cool the battery pack until its function returns to normal. 2. Cool the machine for approximately 10 minutes.
	The battery pack is disconnected from the tool.	Install the battery pack again.
The line does not advance.	The battery pack is depleted.	Charge the battery pack.
	Lines are welded to themselves.	Lubricate with silicone spray.
	Not enough line on spool.	Install more line.
	Lines are worn too short.	Advance the cutting line.
	Lines are tangled on spool.	1. Remove the lines from the spool. 2. Wind the lines.

Problem	Possible Cause	Solution
The line keeps breaking.	The machine is used incorrectly.	1. Cut with the tip of the line, avoid stones, walls and other hard objects. 2. Advance the cutting line regularly to keep full cutting width.
The grass winds around the trimmer head and motor housing.	Cut tall grass at ground level.	1. Cut tall grass from the top down. 2. Remove no more than 8" in each pass to prevent wrapping.
The line does not cut well.	The cut-off blade becomes dull.	Sharpen the cut-off blade with a file or replace it.
Vibration increases obviously.	The line is worn down at one side and not advanced in time.	Make sure that the line on both sides is normal. Advance the line.

13 TECHNICAL DATA

Type	Cordless, battery powered
Motor	80V Brushless
No load speed	5500 ±10% / 5000 ±10% RPM
Cutting line diameter	0.08" (2 mm)
Cutting path diameter	14"/16" (356/406 mm)
Feed Type	Bump Feed
Weight (without battery pack)	10.6 lbs (4.8 kg)
Battery model	2901302/BAB726/BAB727 and other BAB series
Charger model	2901402 and other CAB series

The recommended ambient temperature range:

Item	Temperature
String trimmer storage temperature range	32°F (0°C) - 113°F (45°C)
String trimmer operation temperature range	32°F (0°C) - 113°F (45°C)
Battery charging temperature range	39°F (4°C) - 104°F (40°C)

Item	Temperature
Charger operation temperature range	39°F (4°C) - 104°F (40°C)
Battery storage temperature range	32°F (0°C) - 113°F (45°C)
Battery discharging temperature range	32°F (0°C) - 113°F (45°C)

USA address:

Greenworks Tools

P.O. Box 1238

Mooresville, NC 28115

Canadian address:

Greenworks Tools Canada Inc.

P.O. Box 93095, Newmarket,

Ontario

L3Y 8K3

14 LIMITED WARRANTY



Greenworks hereby warrants this product, to the original purchaser with proof of purchase, for a period of four (4) years against defects in materials, parts or workmanship. Greenworks, at its own discretion will repair or replace any and all parts found to be defective, through normal use, free of charge to the customer. This warranty is valid only for units which have been used for personal use that have not been hired or rented for industrial/commercial use, and that have been maintained in accordance with the instructions in the owners' manual supplied with the product from new.

ITEMS NOT COVERED BY WARRANTY:

1. Any part that has become inoperative due to misuse, commercial use, abuse, neglect, accident, improper maintenance, or alteration; or
2. The unit, if it has not been operated and/or maintained in accordance with the owner's manual; or
3. Normal wear, except as noted below;
4. Routine maintenance items such as lubricants, blade sharpening;
5. Normal deterioration of the exterior finish due to use or exposure.

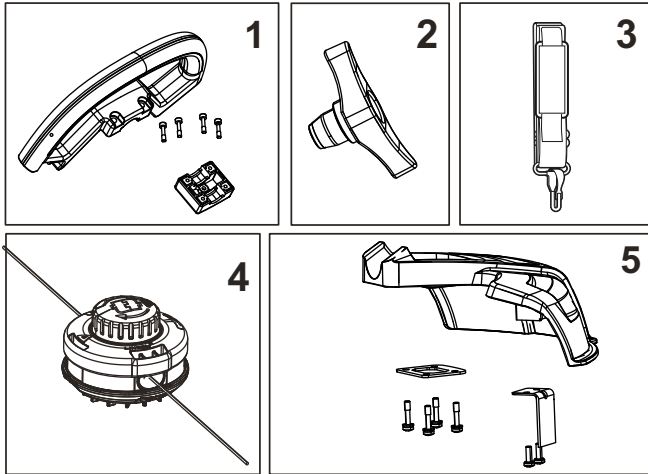
HELPLINE:

Warranty service is available by calling our toll-free helpline, at 1-888-909-6757.

TRANSPORTATION CHARGES:

Transportation charges for the movement of any power equipment unit or attachment are the responsibility of the purchaser. It is the purchaser's responsibility to pay transportation charges for any part submitted for replacement under this warranty unless such return is requested in writing by Greenworks.

15 EXPLODED VIEW



No.	Part No.	Qty	Description	No.	Part No.	Qty	Description
1	RB34130334V	1	Auxiliary handle assembly	4	R0201685-00	1	Trimmer Head Assembly
2	R0201784-00	1	Knob	5	R0201786-00	1	Guard assembly
3	RB37902144	1	Shouler strap				

1	Description.....	17			
1.1	But.....	17	9.2	Puesta en marcha de la máquina.....	22
1.2	Install the battery pack.....	17	9.3	Arrêtez la machine.....	22
1.3	Aperçu.....	17	9.4	Réglez la longueur de la ligne de coupe.....	22
2	Instructions importantes sur la sécurité.....	17	9.5	Attachez la machine à la bandoulière.....	22
3	Symboles figurant sur la machine.....	18	9.6	Conseils sur l'utilisation.....	23
4	Niveaux de risques.....	19	9.7	Conseils de coupe.....	23
5	Service.....	19	9.8	Réglez le diamètre de coupe.....	23
6	Élimination des batteries sans danger pour l'environnement.....	19	9.9	Lame de coupe de la ligne.....	23
7	Proposition 65.....	20	10	Entretien.....	24
8	Installation.....	20	10.1	Informations générales.....	24
8.1	Déballer la machine.....	20	10.2	Nettoyez la machine.....	24
8.2	Attachez la garde protectrice.....	20	10.3	Supprimez l'excédent de ligne.....	24
8.3	Assemblez l'arbre.....	20	10.4	Installez la ligne de coupe.....	24
8.4	Attachez la poignée auxiliaire.....	21	10.5	Retirez la tête de coupe.....	25
8.5	Installez le bloc-batterie.....	21	10.6	Assemblez la tête de coupe.....	25
8.6	Retirez le bloc-batterie.....	21	11	Transport et entreposage.....	26
9	Utilisation.....	22	11.1	Déplacez la machine.....	26
9.1	Commandes.....	22	11.2	Entreposez la machine.....	26
			12	Dépannage.....	26
			13	Données techniques.....	27
			14	Garantie limitée.....	27
			15	Vue éclatées.....	28

1 DESCRIPTION

1.1 BUT

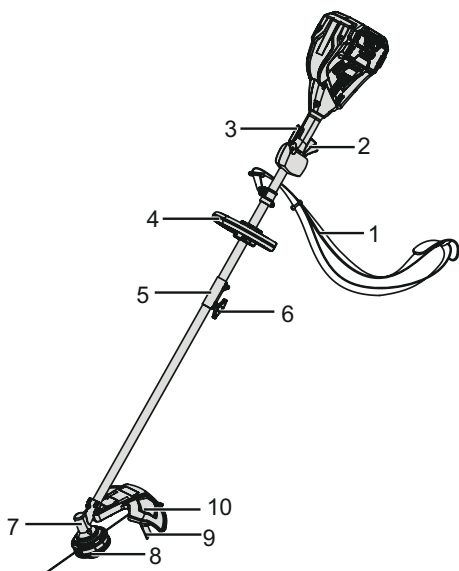
Cette machine est utilisée pour couper l'herbe, les mauvaises herbes légères et d'autres végétaux similaires au niveau du sol ou à proximité. La surface de coupe doit être approximativement parallèle à la surface du sol. Vous ne pouvez pas utiliser la machine pour couper ou hacher des haies, des arbustes, des buissons, des fleurs et du compost.

1.2 INSTALL THE BATTERY PACK

Figure

1. Place the battery pack to the product. Align the raised ribs on the battery pack with the grooves in the trimmer's battery port.
2. Make sure the latch at the bottom of the battery pack snaps in place and that the battery pack is securely attached to the product before beginning operation.

1.3 APERÇU



- 1 Harnais d'épaule
- 2 Gâchette
- 3 Manette de verrouillage
- 4 Poignée auxiliaire
- 5 Coupleur
- 6 Bouton
- 7 Boîte d'engrenage
- 8 Tête de coupe
- 9 Lame de coupe

- 10 Garde protectrice

2 INSTRUCTIONS IMPORTANTES SUR LA SÉCURITÉ

LISEZ TOUTES LES INSTRUCTIONS AVANT L'UTILISATION (CET OUTIL ÉLECTRIQUE)

▲ AVERTISSEMENT

Lisez et comprenez toutes les instructions avant d'utiliser ce produit. Le non-respect de ces avertissements et de ces instructions peut entraîner un choc électrique, un incendie et/ou des blessures graves.

- Utilisez uniquement des pièces de rechange et des accessoires identiques du fabricant. L'utilisation d'autres pièces peut créer un danger ou endommager le produit.
- Portez toujours des lunettes de sécurité dont les écrans latéraux sont conformes à la norme ANSI Z87.1. Les lunettes ordinaires sont dotées de verres résistants aux impacts seulement. Ce ne sont PAS des lunettes de sécurité. Le respect de cette règle réduira le risque de blessures aux yeux. Utilisez un masque facial si vous travaillez dans des endroits poussiéreux.
- Évitez les endroits dangereux — n'exposez pas les outils électriques à des conditions humides ou mouillées. L'eau qui pénètre dans un outil électrique augmente le risque de choc électrique.
- N'utilisez pas sous la pluie.
- Tenez tous les curieux, les enfants et les animaux domestiques à une distance d'au moins 15 m.
- Habillez-vous correctement – ne portez pas de vêtements amples ou de bijoux. Ils pourraient se coincer dans les pièces en mouvement. Le port de gants en caoutchouc et de chaussures adaptées est recommandé pour travailler à l'extérieur. Portez un couvre-chef protecteur pour contenir les cheveux longs.
- Utilisez le bon appareil. N'utilisez l'appareil que pour les travaux auxquels il est destiné.
- Évitez tout démarrage accidentel – ne transportez pas l'appareil branché avec un doigt sur l'interrupteur. Assurez-vous que l'interrupteur est éteint lorsque vous branchez la batterie.
- Ne forcez pas l'appareil - il fera mieux le travail et avec moins de risque de blessure à la vitesse pour laquelle il a été conçu.
- Ne vous penchez pas trop - gardez un bon équilibre en tout temps.
- Soyez vigilant et faites attention à ce que vous faites. Faites appel à votre bon sens. N'utilisez pas cet appareil si vous êtes fatigué, malade ou sous l'influence de l'alcool, de drogues ou de médicaments.
- Rangez toujours les outils électriques inutilisés à l'intérieur - lorsqu'ils ne sont pas utilisés, entreposez-les à l'intérieur dans un endroit sec, hors de portée des enfants.









- Effectuez l'entretien de l'appareil avec précaution - Remplacez la tête de coupe si elle est fissurée, ébréchée ou endommagée de quelque façon que ce soit. Assurez-vous que la tête de coupe est correctement installée et solidement fixée. Gardez le bord des dents bien aiguisé et propre pour une meilleure performance et pour réduire les risques de blessures. Suivez les instructions pour lubrifier et changer les accessoires. Inspectez périodiquement le cordon de l'appareil. S'il est endommagé, faites-le réparer par un réparateur agréé. Inspectez périodiquement les rallonges électriques et remplacez-les si elles sont endommagées. Veillez à ce que les poignées restent propres, sèches et exemptes d'huile et de graisse. Le non-respect de cette consigne peut entraîner des blessures corporelles graves.
- Vérifier les pièces endommagées avant d'utiliser l'appareil. Il convient de vérifier soigneusement la garde protectrice ou toute autre pièce endommagée pour s'assurer qu'il fonctionnera correctement comme prévu. Vérifiez l'alignement des pièces mobiles, la fixation des pièces mobiles, la cassure des pièces, les fixations endommagées et toute autre condition qui pourrait affecter leur fonctionnement. Une garde protectrice ou toute autre pièce endommagée doit être correctement réparée ou remplacée par un centre de service agréé, sauf en cas d'indication contraire dans ce manuel.
- Retirez ou débranchez la batterie avant d'entretenir, de nettoyer ou d'enlever des matériaux de l'appareil de jardinage.
- Ne modifiez pas ou n'essayez pas de réparer l'appareil ou le bloc-batterie (selon le cas) sauf en conformité avec les instructions d'utilisation et d'entretien indiquées dans ce manuel. Utilisez les appareils uniquement avec des batteries spécialement conçues à cet effet. L'utilisation de toutes autres batteries peut créer un risque de blessure et d'incendie. Utilisez uniquement la batterie 2901302/BAB726/BAB727 Greenworks ou d'autres séries BAB.
- Rechargez uniquement avec le chargeur spécifié par le fabricant. Un chargeur adapté à un type de bloc-batterie peut créer un risque d'incendie lorsqu'il est utilisé avec un autre bloc-batterie. Utilisez uniquement le chargeur 2901402 Greenworks ou d'autres séries CAB.
- Lorsque le bloc-batterie n'est pas utilisé, éloignez-le des autres objets métalliques tels qu'attaches trombones, pièces de monnaie, clés, clous, vis ou autres petits objets métalliques qui peuvent établir une connexion d'une borne à une autre. Le court-circuitage des bornes de la batterie peut provoquer un incendie.
- Dans des conditions abusives, du liquide peut être éjecté de la batterie ; évitez tout contact. En cas de contact accidentel, rincez avec de l'eau. En cas de contact avec les yeux, consultez également un médecin. Le liquide s'échappant des batteries peut causer des irritations ou des brûlures.
- N'utilisez pas un bloc-batterie ou un appareil endommagé ou modifié. Les batteries endommagées ou modifiées peuvent présenter un fonctionnement imprévisible et provoquer un incendie, une explosion ou un risque de blessure.
- N'exposez pas un bloc-batterie ou un appareil à un feu ou à une température excessive. L'exposition au feu ou une température supérieure à 130 °C (265 °F) peut provoquer une explosion.
- Ne jetez pas les batteries au feu. Les cellules peuvent exploser. Consultez les règlements locaux pour connaître les instructions d'élimination spéciales.
- Ne tentez pas d'ouvrir ni d'abîmer la batterie. Les électrolytes rejetés sont corrosifs et peuvent causer des dommages aux yeux ou à la peau. L'électrolyte peut être toxique lorsqu'elle est avalée.
- Manipulez les batteries avec précaution afin de ne pas court-circuiter la batterie avec des matériaux conducteurs tels que les bagues, les bracelets et les clés. La batterie ou le conducteur peut surchauffer et provoquer des brûlures.
- Suivez toutes les instructions de recharge et ne rechargez pas le bloc-batterie ou l'appareil en dehors de la plage de température spécifiée dans ces instructions. Un rechargement incorrect ou à des températures en dehors de la plage spécifiée peut endommager la batterie et augmenter le risque d'incendie.
- Faites effectuer l'entretien par un réparateur qualifié en n'utilisant que des pièces de recharge identiques. Cela garantira le maintien de la sécurité du produit.
- Gardez les gardes protectrices en place et en bon état de fonctionnement.
- Gardez les mains et les pieds éloignés de la zone de coupe.
- Retirez la batterie de l'outil électrique avant d'effectuer des réglages, de changer des accessoires ou de ranger la machine. De telles mesures de sécurité préventives réduisent le risque d'un démarrage accidentel de la machine.
- Utilisez uniquement avec la ligne de coupe en nylon de 0.08" (2 mm) diamètre. N'utilisez pas de lignes plus lourdes que celles recommandées par le fabricant et d'autres types de lignes - par ex., du fil métallique, de la corde, etc.

CONSERVEZ CES INSTRUCTIONS

3 SYMBOLES FIGURANT SUR LA MACHINE




Certains des symboles suivants peuvent être utilisés sur cette machine. Veuillez les étudier et apprendre leur signification. Une bonne interprétation de ces symboles vous permettra de mieux utiliser l'outil et de manière plus sécuritaire.

Symbole	Explication
V	Voltage
A	Courant
Hz	Fréquence (cycles par seconde)
W	Puissance
min	Heure

Symbole	Explication
/min	Tours, coups, vitesse périphérique, orbites, etc., par minute
	Courant direct
	Précautions destinées à assurer la sécurité.
	Lisez et comprenez toutes les instructions avant d'utiliser cette machine, et suivez tous les avertissements et les consignes de sécurité.
	Portez toujours des lunettes de sécurité dont les écrans latéraux sont conformes à la norme ANSI Z87.1. lorsque vous utilisez cette machine.
	Ne pas exposer la machine à la pluie ou à l'humidité.
	Tenez tous les curieux à une distance d'au moins 15 m.
	N'installez ou n'utilisez aucun type de lame sur une machine qui affiche ce symbole.
	Les objets projetés peuvent ricocher et causer des blessures corporelles ou des dommages matériels.

4 NIVEAUX DE RISQUES

Les termes de mise en garde suivants et leur signification ont pour but d'expliquer les niveaux de risques associés à l'utilisation de ce produit.

SYM-BOLE	SIGNAL	SIGNIFICATION
	DANGER	Indique une situation dangereuse imminente qui, si elle n'est pas évitée, peut entraîner la mort ou des blessures graves.
	AVERTISSEMENT	Indique une situation potentiellement dangereuse qui, si elle n'est pas évitée, peut entraîner la mort ou des blessures graves.
	MISE EN GARDE	Indique une situation potentiellement dangereuse qui, si elle n'est pas évitée, pourrait causer des blessures mineures ou modérées.

SYM-BOLE	SIGNAL	SIGNIFICATION
	MISE EN GARDE	(Sans symbole d'alerte de sécurité) indique une situation pouvant entraîner des dommages matériels.

5 SERVICE

L'entretien nécessite un soin extrême et une connaissance approfondie du système, et ne doit être effectué que par un technicien qualifié. Pour l'entretien, nous vous suggérons de retourner la machine à votre CENTRE DE SERVICE AUTORISÉ le plus proche pour réparation. Utilisez uniquement des pièces de rechange et des accessoires identiques du fabricant.

6 ÉLIMINATION DES BATTERIES SANS DANGER POUR L'ENVIRONNEMENT



Les matières toxiques et corrosives ci-dessous se trouvent dans les batteries utilisées dans cette machine : **Lithium-ion, une substance toxique.**

▲ AVERTISSEMENT

Éliminez toutes les substances toxiques d'une manière spécifiée afin de prévenir la contamination de l'environnement. Avant de jeter une batterie Li-ion endommagée ou usée, contactez votre agence locale d'élimination des déchets ou l'agence locale de protection de l'environnement pour obtenir des informations et des instructions spécifiques. Apportez les batteries à un centre local de recyclage ou d'élimination certifié pour l'élimination de batteries au lithium-ion.

▲ AVERTISSEMENT

Si la batterie se fend ou se brise, avec ou sans fuites, ne la rechargez pas et ne l'utilisez pas. Jetez-la et remplacez-la par une nouvelle batterie. **N'ESSAYEZ PAS DE LA RÉPARER !** Pour prévenir les blessures et les risques d'incendie, d'explosion ou de choc électrique, et pour éviter tout dommage à l'environnement :

- Couvrez les bornes de la batterie avec du ruban adhésif résistant.
- **NE PAS** essayer d'enlever ou de détruire les composants de la batterie.
- **NE PAS** essayer d'ouvrir ou de réparer la batterie.
- En cas de fuite, les électrolytes rejetés sont corrosifs et toxiques. **NE laissez PAS** entrer la solution dans les yeux ou en contact avec la peau et ne l'avalez pas.
- **NE PAS** jeter vos batteries usagées dans votre poubelle à ordures ménagères.
- **N'incinerez PAS** les batteries.
- **NE LES** Mettez **PAS** dans un endroit où ils feront partie d'un site d'enfouissement de déchets ou d'un flux de déchets solides municipaux.
- Emmenez-les dans un centre de recyclage ou d'élimination certifié.

7 PROPOSITION 65

▲ AVERTISSEMENT

Ce produit contient un produit chimique connu dans l'état de Californie comme étant une cause de cancer, de malformations congénitales ou d'autres problèmes de reproduction. Certaines poussières produites par le ponçage mécanique, le sciage, le meulage, le perçage et d'autres activités de construction contiennent des produits chimiques connus pour causer le cancer, des malformations congénitales ou d'autres problèmes de reproduction. Voici quelques exemples de ces produits chimiques :

- Plomb provenant de peintures à base de plomb;
- Silice cristalline provenant de briques, de ciment et d'autres produits de maçonnerie;
- Arsenic et chrome provenant de bois traité chimiquement.

Votre risque d'exposition à ces produits chimiques varie selon la fréquence à laquelle vous faites ce type de travail. Pour réduire votre exposition à ces produits chimiques, travaillez dans un endroit bien ventilé et utilisez un équipement de sécurité approuvé, comme des masques anti-poussière spécialement conçus pour filtrer les particules microscopiques.

8 INSTALLATION

8.1 DÉBALLEZ LA MACHINE

▲ AVERTISSEMENT

Assurez-vous d'assembler correctement la machine avant de l'utiliser.

▲ AVERTISSEMENT

- Si les pièces de la machine sont endommagées, ne l'utilisez pas.
- Si vous n'avez pas toutes les pièces, n'utilisez pas la machine.
- Si les pièces sont endommagées ou manquantes, communiquez avec le centre de service.

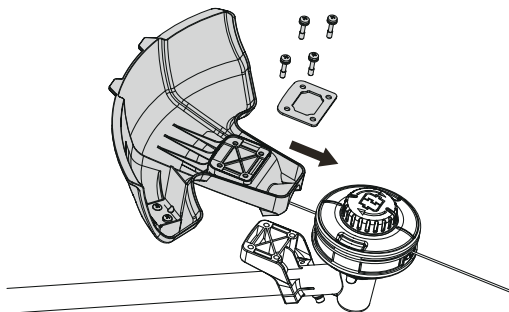
1. Ouvrez l'emballage.
2. Lisez la documentation contenue dans la boîte.
3. Retirez toutes les pièces non assemblées de la boîte.
4. Retirez la machine de sa boîte.
5. Jetez la boîte et l'emballage en respectant les règlements locaux.

8.2 ATTACHEZ LA GARDE PROTECTRICE

▲ AVERTISSEMENT

Ne touchez pas la lame de coupe.

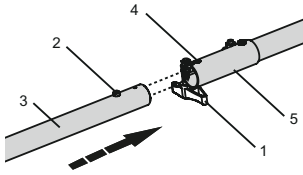
1. Retirez les vis de la tête de coupe à l'aide d'un tournevis cruciforme (non fourni).
2. Placez la garde protectrice sur la tête de coupe.
3. Alignez les trous de vis sur la garde protectrice avec les trous de vis sur la tête de coupe.
4. Serrez les vis.



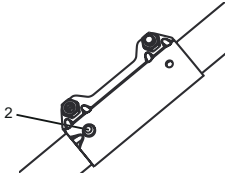
8.3 ASSEMBLEZ L'ARBRE

1. Desserrez le bouton (1) sur le coupleur.
2. Enfoncez le bouton de déclenchement (2) sur l'arbre inférieur (3).

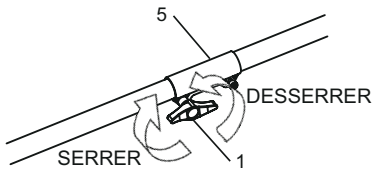
- Alignez le bouton de déclenchement (2) avec le trou de positionnement (4) et assemblez les deux arbres.



- Tournez l'arbre inférieur jusqu'à ce que le bouton s'enclenche dans le trou de positionnement.

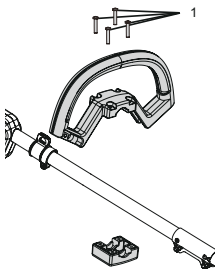


- Serrez le bouton.

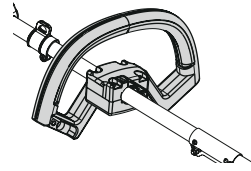


8.4 ATTACHEZ LA POIGNÉE AUXILIAIRE

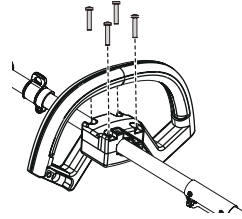
- Dévissez les vis de la poignée à l'aide d'un tournevis cruciforme (non fourni).



- Attachez la poignée auxiliaire et abaissez la bride sur l'arbre.



- Placez la poignée auxiliaire dans la position la plus confortable pour l'utilisation.
- Serrez les vis.

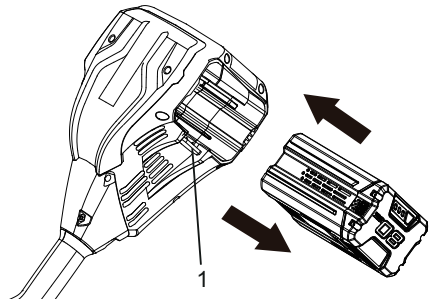


8.5 INSTALLEZ LE BLOC-BATTERIE

▲ AVERTISSEMENT

- Si le bloc-batterie ou le chargeur est endommagé, remplacez-le, au besoin.
- Arrêtez la machine et attendez que le moteur s'arrête avant d'installer ou de retirer le bloc-batterie.
- Lisez et comprenez les instructions du manuel de la batterie et du chargeur.

- Alignez les nervures de levage du bloc-batterie avec les rainures du compartiment à piles.
- Poussez le bloc-batterie dans le compartiment jusqu'à ce qu'il soit bien encliqueté.
- Vous devriez entendre un clic lorsque le bloc-batterie sera inséré correctement.



8.6 RETIREZ LE BLOC-BATTERIE

- Poussez et maintenez enfoncé le bouton de déblocage de la batterie.

- Retirez le bloc-batterie de la machine.

FR

9 UTILISATION

i IMPORTANT

Avant d'utiliser la machine, lisez et comprenez les consignes de sécurité et les instructions d'utilisation.

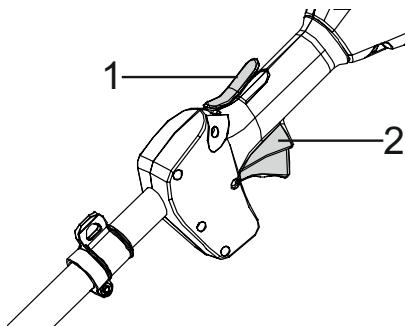
▲ AVERTISSEMENT

Soyez prudent lorsque vous utilisez la machine.

9.1 COMMANDES

9.2 PUESTA EN MARCHA DE LA MÁQUINA

- Pulse el botón de desbloqueo (1) y apriete el gatillo (2).



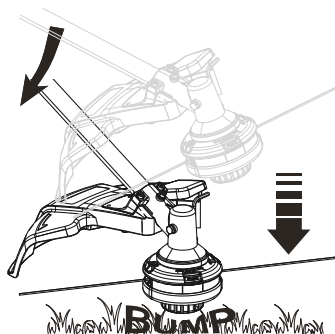
9.3 ARRÊTEZ LA MACHINE

- Lâchez la gâchette pour arrêter la machine.

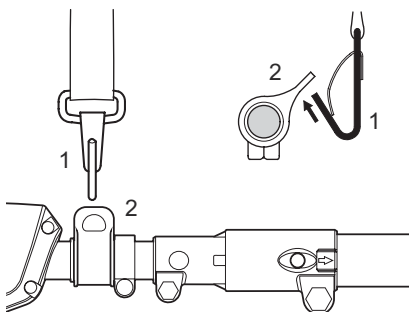
9.4 RÉGLEZ LA LONGUEUR DE LA LIGNE DE COUPE

Lorsque vous utilisez la machine, la ligne de coupe s'use plus rapidement. Vous pouvez régler la longueur de la ligne de coupe.

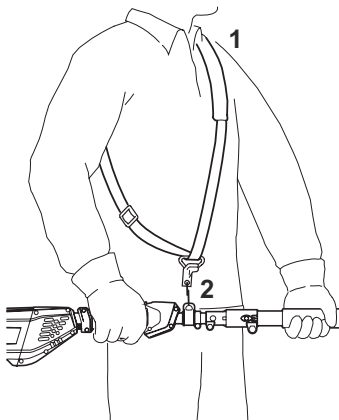
- Frappez la tête de coupe contre le sol pendant que vous utilisez la machine.
- La ligne est automatiquement débloquée et la lame coupe la longueur excédentaire.



9.5 ATTACHEZ LA MACHINE À LA BANDOULIÈRE



- Fixez le mousqueton à l'anneau de transport sur le tube.



- Enfilez la bandoulière.
- Ajustez la longueur de la bandoulière de façon à ce que le mousqueton ait à peu près la largeur d'une main sous votre hanche droite.

9.6 CONSEILS SUR L'UTILISATION

▲ AVERTISSEMENT

Respectez l'espace libre entre le corps et la machine.

▲ AVERTISSEMENT

N'utilisez pas la machine sans la garde protectrice en place.

Voici quelques conseils pour l'utilisation de la machine

- Tenez fermement la machine avec les deux mains pendant son utilisation.
- Coupez l'herbe haute du haut vers le bas.

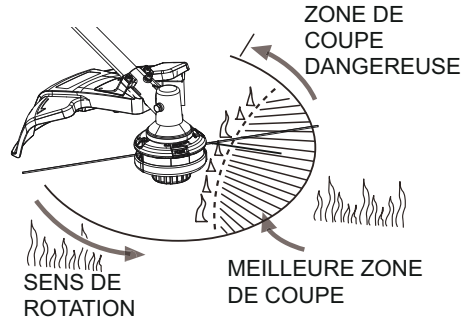
Si de l'herbe s'enroule autour de la tête de coupe :

- Retirez le bloc-batterie.
- Retirez l'herbe.



9.7 CONSEILS DE COUPE

- Inclinez la machine vers la zone à couper. Utilisez l'extrémité de la ligne de coupe pour couper l'herbe.
- Déplacez la machine de la droite vers la gauche pour éviter que des débris ne frappent l'opérateur.
- Ne coupez pas dans la zone dangereuse.
- Ne forcez pas la tête de coupe dans l'herbe non coupée.
- Les fils de fer et les clôtures de piquets causent l'usure et la rupture de la ligne de coupe. Les pierres et les murs de brique, les bordures et le bois peuvent user rapidement la ligne de coupe.



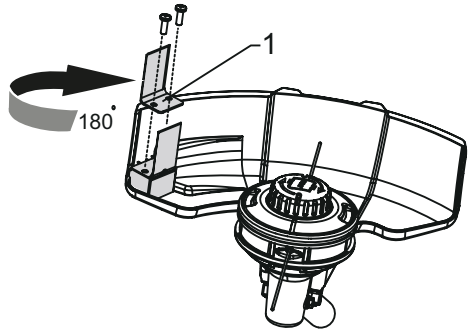
9.8 RÉGLEZ LE DIAMÈTRE DE COUPE

i REMARQUE

La machine est réglée avec un diamètre de coupe de 14" (356 mm). Vous pouvez régler le diamètre de coupe à 16" (406 mm).

Réglez le diamètre de coupe à 14" (356 mm) pour une plus grande autonomie et à 16" (406 mm) pour une plus grande surface de coupe.

1. Retirez le bloc-batterie.
2. Retirez les vis de la lame de la lame de coupe (1).
3. Tournez la lame de coupe de 180°.
4. Serrez les vis de la lame.



9.9 LAME DE COUPE DE LA LIGNE

Ce coupe-herbe est équipé d'une lame de coupe (1) sur la garde protectrice. La lame de coupe de la ligne coupe en continu la ligne pour assurer un diamètre de coupe constant et efficace. Avancez la ligne chaque fois que vous entendez le moteur tourner plus vite que d'habitude, ou lorsque l'efficacité du réglage diminue. Cela permettra de maintenir une meilleure performance et de garder la ligne assez longue pour couper correctement.

10 ENTRETIEN

i IMPORTANT

Lisez et comprenez les consignes de sécurité et les instructions d'entretien avant de nettoyer, de réparer ou d'effectuer des travaux d'entretien sur la machine.

i IMPORTANT

Assurez-vous que tous les écrous, les boulons et les vis sont bien serrés. Vérifiez régulièrement que les poignées sont bien serrées.

i IMPORTANT

Utilisez uniquement les pièces de rechange et les accessoires du fabricant initial.

10.1 INFORMATIONS GÉNÉRALES

i IMPORTANT

Seul votre concessionnaire ou un centre de service agréé peut effectuer l'entretien qui n'est pas indiqué dans ce manuel.

Avant les opérations d'entretien :

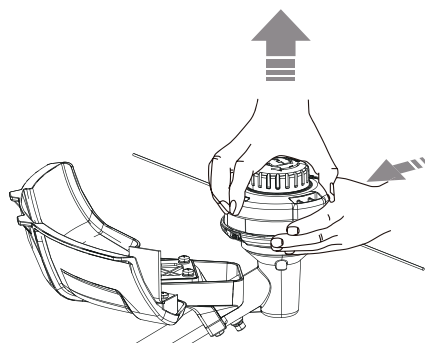
- Arrêtez la machine.
- Retirez le bloc-batterie.
- Laissez le moteur se refroidir.
- Entreposez la machine dans un endroit frais et sec.
- Portez des vêtements, des gants de protection et des lunettes de sécurité appropriés.

10.2 NETTOYEZ LA MACHINE

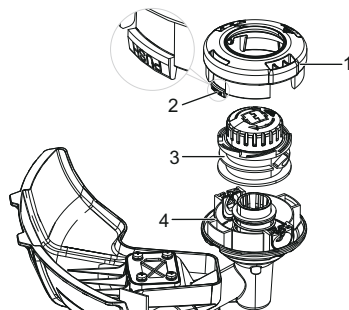
- Nettoyez la machine après utilisation avec un chiffon humide trempé dans un détergent neutre.
- N'utilisez pas de détergents ou de solvants agressifs pour nettoyer les pièces en plastique ou les poignées.
- Gardez la tête de coupe exempte d'herbe, de feuilles ou de graisse excessive.
- Gardez les événements d'aération propres et exempts de débris pour éviter la surchauffe et les dommages au moteur ou à la batterie.
- Ne pulvérisez pas de l'eau sur le moteur et les composants électriques.

10.3 SUPPRIMEZ L'EXCÉDENT DE LIGNE

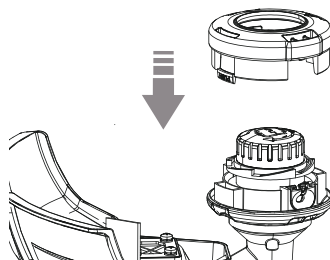
1. Poussez les languettes (2) sur les côtés de la tête de coupe en même temps.



2. Tirez et démontez le couvercle de la bobine (1).



3. Retirez toute ligne restante.
4. Enlevez la saleté et les débris sur toutes les pièces. Remplacez la bobine (3) si elle usée ou endommagée.
5. Alignez les languettes de la bobine avec les ouvertures des languettes à la base de la bobine (4).
6. Push the spool cover until it clicks into position.



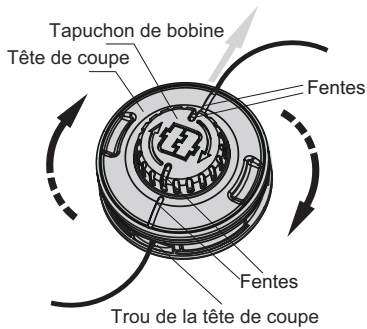
10.4 INSTALLEZ LA LIGNE DE COUPE

i REMARQUE

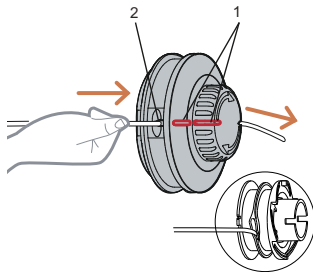
Ne mettez pas plus de 4,5 m (15 pi) de ligne de coupe à la fois.

1. Retirez la ligne de coupe restante sur la bobine.

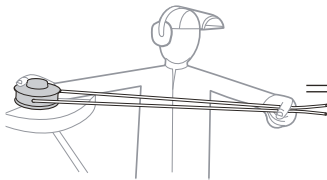
- Alignez les fentes (1) de la bobine avec les fentes (2) de la tête de coupe.



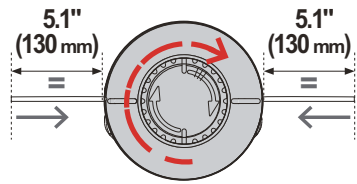
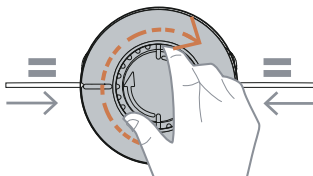
- Passez l'extrémité de la ligne de coupe à travers le trou. Poussez la ligne de coupe jusqu'à ce qu'elle sorte par le trou opposé.



- Tirez la ligne de coupe jusqu'à ce qu'il y ait une longueur égale de ligne de coupe de chaque côté.

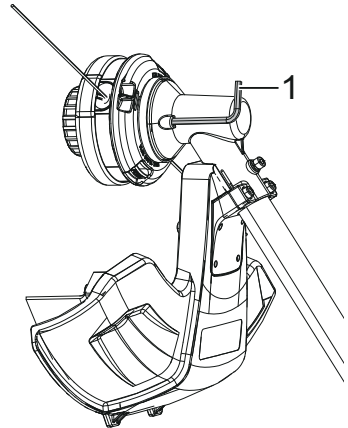


- Tournez le capuchon de bobine dans le sens des aiguilles d'une montre pour enrouler la ligne de coupe dans la tête de coupe. Conservez environ 5 po de ligne de coupe au-dessus de chaque côté de la tête de coupe.

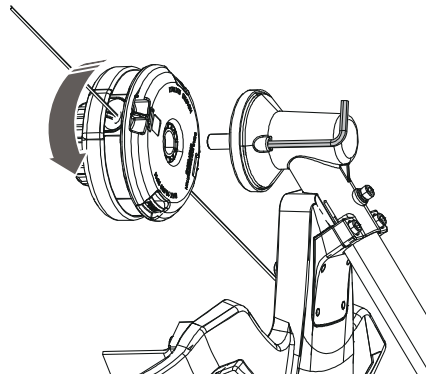


10.5 RETIREZ LA TÊTE DE COUPE

- Insérez la tige métallique (1) dans le trou de transmission angulaire spécifié pour fixer la tête de coupe.



- Tournez la tête de coupe dans le sens des aiguilles d'une montre pour la desserrer. Ne retirez pas l'entretoise de l'arbre.



10.6 ASSEMBLEZ LA TÊTE DE COUPE

- Insérez la tige métallique dans le trou de transmission angulaire spécifié pour fixer la tête de coupe.
- Assemblez la tête de coupe.

3. Tournez la tête de coupe dans le sens contraire des aiguilles d'une montre pour la serrer.
4. Retirez la tige métallique.

i IMPORTANT

Vous devez installer la lame de coupe lorsque vous utilisez la tête de coupe.

11 TRANSPORT ET ENTREPOSAGE

▲ AVERTISSEMENT

Retirez la batterie de la machine avant de la transporter et de l'entreposer.

11.1 DÉPLACEZ LA MACHINE

Lorsque vous déplacez la machine, il faut toujours faire ce qui suit :

- Arrêtez la machine.
- Retirez le bloc-batterie.

11.2 ENTREPOSEZ LA MACHINE

- Retirez le bloc-batterie de la machine.
- Assurez-vous que les enfants ne peuvent pas s'approcher de la machine.
- Gardez la machine loin des agents corrosifs, tels que les produits chimiques de jardin et les sels de déglacage.
- Protégez la machine pendant le transport pour éviter tout dommage ou blessure. Nettoyez la machine et vérifiez qu'elle n'est pas endommagée.

12 DÉPANNAGE

Problème	Cause possible	Solution
Le moteur ne démarre pas lorsque vous appuyez sur la gâchette.	Pas de contact électrique entre la machine et le bloc-batterie.	1. Retirez le bloc-batterie. 2. Vérifiez le contact et réinstallez le bloc-batterie.
	Le bloc-batterie est déchargé.	Rechargez le bloc-batterie.
	Le bouton de verrouillage et la gâchette ne sont pas enfoncés en même temps.	1. Appuyez sur le bouton de verrouillage et maintenez-le enfoncé. 2. Appuyez sur la gâchette pour démarrer la machine.

Problème	Cause possible	Solution
La machine s'arrête lorsque vous coupez l'herbe.	La garde protectrice n'est pas attachée à la machine.	Retirez le bloc-batterie et installez la garde protectrice à la machine.
	Une ligne de coupe lourde est utilisée.	Utilisez uniquement avec la ligne de coupe en nylon de 0.08" (2 mm) diamètre.
	L'herbe s'enroule autour de l'arbre du moteur ou de la tête de coupe.	1. Arrêtez la machine. 2. Retirez le bloc-batterie. 3. Enlevez l'herbe de l'arbre du moteur et de la tête de coupe.
	Le moteur est surchargé.	1. Retirez la tête de coupe de l'herbe. 2. Le moteur se remet en marche dès que la charge est retirée. 3. Lorsque vous coupez, déplacez la tête de coupe dans le gazon à couper et hors de celui-ci et n'enlevez pas plus de 8" en un passage.
Le bloc-batterie ou la machine est trop chaude.	La batterie est déconnectée de l'outil.	1. Laissez refroidir la batterie jusqu'à ce que son fonctionnement revienne à la normale. 2. Laissez refroidir la machine pendant environ 10 minutes.
	Le bloc-batterie est déchargé.	Rechargez le bloc-batterie.
	La ligne n'avance pas.	Les lignes sont soudées entre elles.
La ligne n'avance pas.	Pas assez de lignes sur la bobine.	Installez plus de lignes.
	Les lignes sont devenues trop courtes.	Avancez la ligne de coupe.
	Les lignes sont emmêlées sur la bobine.	1. Retirez les lignes de la bobine. 2. Enroulez les lignes.

Problème	Cause possible	Solution
La ligne ne cesse de se briser.	La machine n'est pas utilisée correctement.	1. Coupez avec le bout de la ligne, évitez les pierres, les murs et autres objets durs. 2. Avancez régulièrement la ligne de coupe pour conserver toute la largeur de coupe.
L'herbe s'enroule autour de la tête de coupe et du boîtier du moteur.	Coupez l'herbe haute au niveau du sol.	1. Coupez l'herbe haute du haut vers le bas. 2. N'enlevez pas plus de 8" à chaque passage pour éviter l'enroulement.
La ligne ne coupe pas bien.	La lame de coupe s'est émoussée.	Affûtez la lame de coupe avec une lime ou remplacez-la.
Les vibrations augmentent visiblement.	La ligne est usée d'un côté et n'est pas avancée à temps.	Assurez-vous que la ligne des deux côtés est normale. Avancez la ligne.

Article	Température
Plage de température de re-chargement de la batterie	39°F (4°C) - 104°F (40°C)
Plage de température de fonctionnement du chargeur	39°F (4°C) - 104°F (40°C)
Plage de température d'entreposage de la batterie	32°F (0°C) - 113°F (45°C)
Plage de température de dé-chargement de la batterie	32°F (0°C) - 113°F (45°C)

13 DONNÉES TECHNIQUES

Type	Sans fil, à batterie
Moteur	80V Sans balais
Vitesse à vide	5500 ±10% / 5000 ±10% tr/min
Diamètre de la ligne de coupe	0.08" (2 mm)
Diamètre de coupe	14"/16" (356/406 mm)
Type de flux	Avance par coups
Poids (sans batterie)	10.6 lbs (4.8 kg)
Batterie (modèle)	2901302/BAB726/BAB727 et autres séries BAB
Chargeur (modèle)	2901402 et autres séries CAB

La plage de température ambiante recommandée :

Article	Température
Plage de température d'entreposage du coupe-herbe	32°F (0°C) - 113°F (45°C)
Plage de température de fonctionnement du coupe-herbe	32°F (0°C) - 113°F (45°C)

14 GARANTIE LIMITÉE



Greenworks garantit par la présente ce produit, à l'acheteur original avec preuve d'achat, pour une période de quatre (4) ans contre tout défaut de matériaux, de pièces ou de main-d'œuvre. Greenworks, à sa propre discrétion, réparera ou remplacera toutes les pièces défectueuses, dans des conditions normales d'utilisation, sans frais pour le client. Cette garantie n'est valable que pour les appareils qui ont été utilisés à des fins personnelles, qui n'ont pas été loués à des fins industrielles ou commerciales et qui ont été entretenus conformément aux instructions du manuel du propriétaire fourni avec le produit neuf.

ARTICLES NON COUVERTS PAR LA GARANTIE :

1. Toute pièce qui est devenue inopérante en raison d'une mauvaise utilisation, d'une utilisation commerciale, d'un abus, d'une négligence, d'un accident, d'un entretien inapproprié ou d'une modification ; ou
2. L'appareil, s'il n'a pas été utilisé et/ou entretenu conformément au manuel du propriétaire ; ou
3. Usure normale, sauf comme indiqué ci-dessous ;
4. Articles d'entretien courant tels que lubrifiants, affûtage des lames ;
5. Détérioration normale du fini extérieur due à l'utilisation ou à l'exposition.

ASSISTANCE TÉLÉPHONIQUE :

Le service de garantie est disponible en appelant notre ligne d'assistance téléphonique sans frais, au 1-888-909-6757.

FRAIS DE TRANSPORT :

Les frais de transport pour le déplacement de tout équipement motorisé ou accessoire sont à la charge de l'acheteur. Il

1	Descripción.....	30		9.3	34
1.1	Finalidad.....	30	9.4	Ajuste de la longitud del hilo de corte.....	35
1.2	Install the battery pack.....	30	9.5	Fijación de la máquina a la correa de	
1.3	Perspectiva general.....	30		hombro.....	35
2	Instrucciones importantes de		9.6	Consejos de funcionamiento.....	35
	seguridad.....	30	9.7	Consejos de corte.....	36
3	Símbolos en la máquina.....	31	9.8	Ajuste del diámetro de corte.....	36
4	Niveles de riesgo.....	32	9.9	Cuchilla de corte de hilo.....	36
5	Servicio.....	32	10	Mantenimiento.....	36
6	Eliminación de batería segura		10.1	Información general.....	37
	para el medio ambiente.....	32	10.2	Limpieza de la máquina.....	37
7	Propuesta 65.....	33	10.3	Retirada del exceso de hilo.....	37
8	Instalación.....	33	10.4	Instalación del hilo de corte.....	37
8.1	Desembalaje de la máquina.....	33	10.5	Retirada del cabezal de corte.....	38
8.2	Fijación de la protección.....	33	10.6	Montaje del cabezal de corte.....	39
8.3	Montaje del eje.....	33	11	Transporte y almacenamiento.....	39
8.4	Fijación del asa auxiliar.....	33	11.1	Traslado de la máquina.....	39
8.5	Instalación de la batería.....	34	11.2	Almacenamiento de la máquina.....	39
8.6	Retirada de la batería.....	34	12	Solución de problemas.....	39
9	Funcionamiento.....	34	13	Datos técnicos.....	40
9.1	Controles.....	34	14	Garantía limitada.....	41
9.2	Démarrez la machine.....	34	15	Vista despiezada.....	42

1 DESCRIPCIÓN

1.1 FINALIDAD

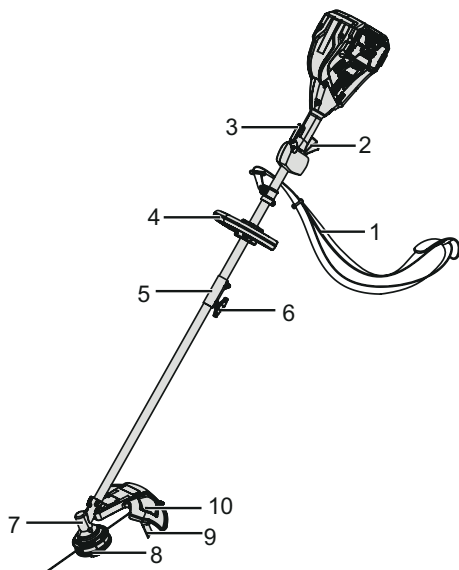
Esta máquina se utiliza para cortar hierba, maleza ligera y otra vegetación similar a nivel del suelo. El plano de corte debe estar aproximadamente paralelo a la superficie del suelo. No puede utilizar la máquina para cortar o podar setos, arbustos, matorrales, flores y compost.

1.2 INSTALL THE BATTERY PACK

Figura :

1. Place the battery pack to the product. Align the raised ribs on the battery pack with the grooves in the trimmer's battery port.
2. Make sure the latch at the bottom of the battery pack snaps in place and that the battery pack is securely attached to the product before beginning operation.

1.3 PERSPECTIVA GENERAL



- 1 Arnés para los hombros
- 2 Gatillo
- 3 Gatillo de desbloqueo
- 4 Asa auxiliar
- 5 Acoplamiento
- 6 Perilla
- 7 Caja de engranajes
- 8 Cabezal de corte
- 9 Cuchilla de corte
- 10 Protección

2 INSTRUCCIONES IMPORTANTES DE SEGURIDAD

LEA TODAS LAS INSTRUCCIONES ANTES DEL USO (DE ESTA HERRAMIENTA ELÉCTRICA)

▲ AVISO

Debe leer y entender todas las instrucciones antes de utilizar este producto. El incumplimiento de las instrucciones indicadas a continuación puede provocar descargas eléctricas, incendios o lesiones personales graves.




- Utilice únicamente accesorios y piezas de repuesto idénticos del fabricante. El uso de cualquier otra pieza puede generar un riesgo o producir daños en el producto.
- Lleve siempre gafas de seguridad con protectores laterales marcadas para cumplir la ANSI Z87.1. Las gafas normales solo tienen lentes resistentes a impactos. NO son gafas de seguridad. Si sigue esta regla reducirá el riesgo de lesiones oculares. Utilice máscara facial si trabaja en espacios de trabajo con polvo.
- Evite los entornos peligrosos – No exponga las herramientas eléctricas a condiciones de humedad. Si penetra agua en una herramienta eléctrica, aumentará el riesgo de descarga eléctrica.
- No utilice bajo la lluvia.
- Mantenga a todos los transeúntes, niños y mascotas al menos a 15 m.
- Lleve indumentaria adecuada – No lleve ropa ni joyas sueltas. Pueden quedar atrapadas en las piezas móviles. Se recomienda el uso de guantes de goma y calzado resistente cuando se trabaje en el exterior. Lleve una protección capilar para sujetar el cabello largo.
- Utilice el aparato adecuado. No utilice el aparato para trabajos distintos del previsto.
- Evite la puesta en marcha accidental – No transporte un aparato enchufado con el dedo sobre el interruptor. Asegúrese de que el interruptor esté desactivado al conectar la batería.
- No fuerce el aparato – Hará el trabajo mejor y con menos probabilidades de sufrir lesiones a la velocidad para la que se diseñó.
- No se estire – Mantenga en todo momento una postura adecuada y el equilibrio.
- Manténgase alerta – Observe lo que está haciendo. Utilice el sentido común. No utilice esta unidad cuando esté cansado, enfermo o bajo la influencia de alcohol, drogas o medicamentos.
- Almacene siempre las herramientas eléctricas inactivas en interior – Cuando no estén en uso, las herramientas eléctricas deben almacenarse en interior, en un lugar seco, fuera del alcance de los niños.
- Mantenga el aparato con cuidado – Sustituya el cabezal de hilo si está agrietado, astillado o dañado de alguna manera. Asegúrese de que el cabezal de hilo esté correctamente instalado y bien fijado. Mantenga el filo

- afilado y limpio para un mejor rendimiento y para reducir el riesgo de lesiones. Siga las instrucciones para la lubricación y el cambio de accesorios. Inspeccione periódicamente el cable del aparato, y si está dañado, haga que lo repare un centro de servicio técnico autorizado. Inspeccione periódicamente los cables alargadores y sustitúyalos si están dañados. Mantenga las asas secas, limpias y sin restos de aceite y grasa. De no hacerlo podrían producirse lesiones graves.
- Compruebe las piezas dañadas antes de utilizar el aparato, una protección u otra pieza dañada debe comprobarse detenidamente para determinar si funcionará correctamente y cumplirá su función prevista. Compruebe la alineación de las piezas móviles, la unión de las partes móviles, la rotura de piezas, los montajes dañados y cualquier otra condición que pueda afectar a su funcionamiento. Una protección u otra pieza que esté dañada debe ser reparada o sustituida debidamente por un centro de servicio autorizado, a menos que se indique lo contrario en este manual.
 - Retire o desconecte la batería antes de reparar, limpiar o retirar material del aparato de jardinería.
 - No modifique ni intente reparar el aparato o la batería (según corresponda), excepto lo indicado en las instrucciones de uso y cuidado. Utilice los aparatos únicamente con las baterías designadas específicamente. El uso de cualquier otra batería puede dar lugar a un riesgo de lesiones e incendio. Utilice únicamente con la batería Greenworks 2901302/BAB726/BAB727 u otra serie BAB.
 - Recargue solo con el cargador especificado por el fabricante. Un cargador adecuado para un tipo de batería puede dar lugar a un riesgo de incendio cuando se usa con otra batería. Utilice únicamente con el cargador Greenworks 2901402 u otra serie CAB.
 - Cuando la batería no esté en uso, manténgala alejada de otros objetos metálicos como clips, monedas, llaves, clavos, tornillos u otros objetos metálicos pequeños que puedan hacer una conexión entre los terminales. El cortocircuito de los terminales de la batería puede provocar un incendio.
 - Bajo condiciones abusivas, es posible que salga líquido despedido de la batería; evite el contacto. Si se produce un contacto accidental, aclare con agua. Si el líquido entra en contacto con los ojos, acuda también al médico. El líquido despedido de la batería puede provocar irritación o quemaduras.
 - No utilice una batería o un aparato que haya sufrido daños o modificaciones. Las baterías dañadas o modificadas pueden exhibir un comportamiento impredecible que puede dar lugar a un incendio, una explosión o un riesgo de lesiones.
 - No exponga una batería o un aparato al fuego ni a temperaturas excesivas. La exposición al fuego o a una temperatura superior a 265 °F (130 °C) puede provocar una explosión.
 - No deseche las baterías en el fuego. Las celdas pueden explotar. Compruebe los códigos locales para conocer las posibles instrucciones especiales de eliminación.
 - No abra ni desguace las baterías. El electrolito liberado es corrosivo y puede producir daños a los ojos o la piel. Puede ser tóxico en caso de ingestión.
 - Tenga cuidado al manipular las baterías para no cortocircuitarlas con materiales conductores como anillos, pulseras y llaves. La batería o el conductor puede sobrecalentarse y producir quemaduras.
 - Siga todas las instrucciones de carga y no cargue la batería o el aparato fuera del intervalo de temperatura especificado en las instrucciones. La carga incorrecta o a temperaturas fuera del intervalo especificado puede dañar la batería y aumentar el riesgo de incendio.
 - Solicite a un técnico de reparación cualificado que realice las tareas de servicio utilizando únicamente piezas de repuesto idénticas. Esto garantizará el mantenimiento de la seguridad del producto.
 - Mantenga las protecciones en su posición y en estado de funcionamiento.
 - Mantenga las manos y los pies alejados de la zona de corte.
 - Desconecte la batería del aparato antes de realizar ajustes, cambiar accesorios o almacenarlo. Estas medidas de seguridad preventivas reducen el riesgo de que el aparato se ponga en marcha accidentalmente.
 - Utilice únicamente con el hilo de corte de nylon de 0.08" (2 mm) de diámetro. No utilice hilos más fuertes de lo recomendado por el fabricante ni materiales de hilo de otros tipos – por ejemplo, alambre, cuerda y similar.






CONSERVE ESTAS INSTRUCCIONES

3 SÍMBOLOS EN LA MÁQUINA

En esta máquina pueden utilizarse algunos de los siguientes símbolos. Le rogamos que los estudie y aprenda sus definiciones. La interpretación correcta de estos símbolos le permitirá manejar la herramienta mejor y de manera más segura.




Símbolo	Explicación
V	Tensión
A	Corriente
Hz	Frecuencia (ciclos por segundo)
W	Potencia
min	Tiempo
/min	Revoluciones, carreras, velocidad de superficie, órbitas, etc., por minuto
	Corriente continua
	Precauciones que afectan a su seguridad.
	Debe leer y entender todas las instrucciones antes de manejar la máquina, así como seguir todas las advertencias e instrucciones de seguridad.

ES

Símbolo	Explicación
	Lleve siempre gafas de seguridad con protectores laterales marcada para cumplir la ANSI Z87.1 cuando utilice esta máquina.
	No exponga la máquina a la lluvia o a condiciones de humedad.
	Mantenga a los transeúntes al menos a 15 m.
	No instale ni utilice ningún tipo de cuchilla en la máquina o que muestre este símbolo.
	Los objetos proyectados pueden rebotar y provocar lesiones personales o daños materiales.

4 NIVELES DE RIESGO

Las siguientes indicaciones y significados tienen como fin explicar los niveles de riesgo asociados a este producto.

SÍMBOLO	INDICACIÓN	SIGNIFICADO
	PELIGRO	Indica una situación de peligro inminente que, de no evitarse, provocará lesiones graves o incluso la muerte.
	ADVERTENCIA	Indica una situación de peligro potencial que, de no evitarse, podría provocar lesiones graves o incluso la muerte.
	PRECAUCIÓN	Indica una situación de peligro potencial que, de no evitarse, puede provocar lesiones leves o moderadas.
	PRECAUCIÓN	(Sin símbolo de alerta sobre seguridad) Indica una situación que puede provocar daños materiales.

5 SERVICIO

Las tareas de servicio exigen un cuidado extremo así como conocimientos y deben ser realizadas únicamente por un técnico de servicio cualificado. Para cuestiones de servicio, le recomendamos que devuelva la máquina al CENTRO DE SERVICIO AUTORIZADO más cercano para su reparación. Utilice únicamente accesorios y piezas de repuesto idénticos del fabricante.

6 ELIMINACIÓN DE BATERÍA SEGURA PARA EL MEDIO AMBIENTE



Los materiales tóxicos y corrosivos que figuran a continuación se encuentran en las baterías utilizadas en esta máquina: **Ion de litio, un material tóxico.**

▲ AVISO

Deseche todos los materiales tóxicos de una manera especificada para evitar la contaminación del medio ambiente. Antes de desechar una batería de ion de litio dañada o agotada, contacte con la agencia local de eliminación de residuos o con la agencia de protección ambiental local para obtener información e instrucciones específicas. Lleve las baterías a un centro de reciclaje o eliminación local, certificado para la eliminación de ion de litio.

▲ AVISO

Si la batería se agrieta o se rompe, con o sin fugas, no la recargue ni la utilice. Deséchela y sustitúyala por una batería nueva. ¡NO INTENTE REPARARLA! Para evitar lesiones y riesgos de incendio, explosión o descarga eléctrica, y para evitar daños al medio ambiente:

- Cubra los terminales de la batería con cinta adhesiva resistente.
- NO intente retirar o destruir ninguno de los componentes de la batería.
- NO intente abrir la batería.
- Si se produce una fuga, los electrolitos liberados son corrosivos y tóxicos. NO deje que la solución entre en contacto con los ojos o la piel, y no la ingiera.
- NO deseche estas baterías con la basura doméstica normal.
- NO incinere.
- NO lleve las baterías a lugares donde formarán parte de vertederos de residuos o flujos de residuos sólidos urbanos.
- Llévelas a un centro de reciclaje o eliminación certificado.

7 PROPUESTA 65

▲ AVISO

Este producto contiene una sustancia química conocida en el estado de California como causante de cáncer, defectos de nacimiento u otros daños reproductivos. El polvo generado por el lijado eléctrico, el serrado, el esmerilado, la perforación y otras actividades de construcción contiene sustancias químicas que se sabe que son causantes de cáncer, defectos de nacimiento u otros daños reproductivos. Algunos ejemplos de estas sustancias químicas son:

- Plomo de pinturas con base de plomo;
- Sílice cristalina de ladrillos y cemento y otros productos de albañilería;
- Arsénico y cromo de la madera tratada químicamente.

El riesgo de exposición a estas sustancias químicas varía según la frecuencia con la que realice este tipo de trabajo. Para reducir su exposición a estas sustancias químicas, trabaje en una zona bien ventilada y trabaje con equipos de seguridad aprobados, como máscaras antipolvo, que estén especialmente diseñadas para filtrar partículas microscópicas.

8 INSTALACIÓN

8.1 DESEMBALAJE DE LA MÁQUINA

▲ AVISO

Asegúrese de montar correctamente la máquina antes del uso.

▲ AVISO

- Si las piezas de la máquina presentan daños, no utilice la máquina.
- Si no tiene todas las piezas, no utilice la máquina.
- Si faltan piezas o hay piezas dañadas, contacte con el centro de servicio.

1. Abra el embalaje.
2. Lea la documentación que se proporciona en la caja.
3. Retire todas las piezas sin montar de la caja.
4. Retire la máquina de la caja.
5. Deseche la caja y el material de embalaje de conformidad con los reglamentos locales.

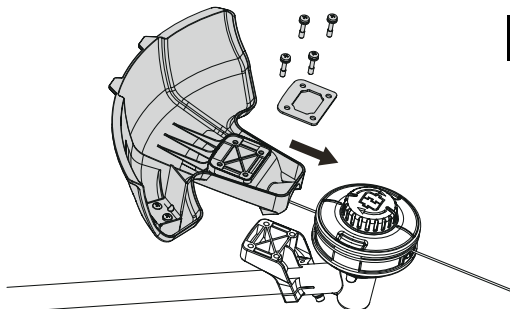
8.2 FIJACIÓN DE LA PROTECCIÓN

▲ AVISO

No toque la cuchilla de corte.

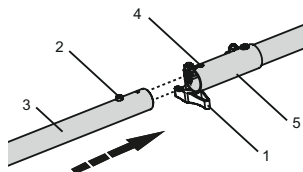
1. Retire los tornillos del cabezal de corte con un destornillador Phillips (no incluido).
2. Ponga la protección sobre el cabezal de corte.

3. Alinee los orificios de tornillo de la protección con los orificios de tornillo del cabezal de corte.
4. Apriete los tornillos.

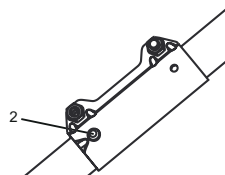


8.3 MONTAJE DEL EJE

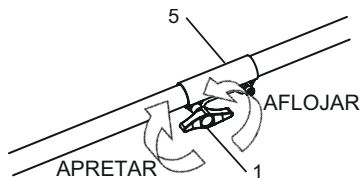
1. Afloje el mando (1) del acoplamiento.
2. Pulse el botón de desbloqueo (2) del eje inferior (3).
3. Alinee el botón de desbloqueo (2) con el orificio de posicionamiento (4) y deslice los dos ejes.



4. Gire el eje inferior hasta que el botón se bloquee en el orificio de posicionamiento.

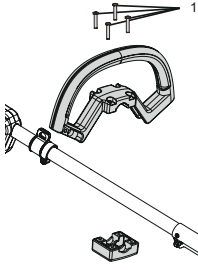


5. Apriete el mando.

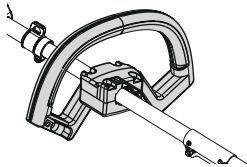


8.4 FIJACIÓN DEL ASA AUXILIAR

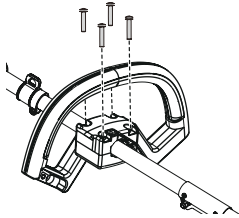
1. Retire los tornillos del asa con un destornillador Phillips (no suministrado).



2. Fije el asa auxiliar y la abrazadera inferior en el eje.



3. Sitúe el asa auxiliar en la posición de uso más cómoda.
4. Apriete los tornillos.

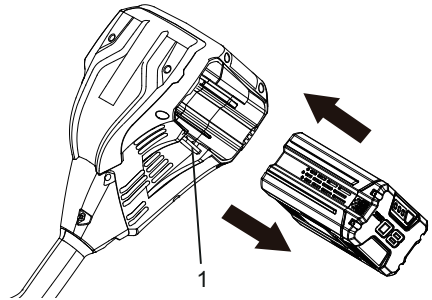


8.5 INSTALACIÓN DE LA BATERÍA

▲ AVISO

- Si la batería o el cargador ha sufrido daños, sustituya la batería o el cargador.
- Detenga la máquina y espere hasta que el motor se pare antes de instalar o retirar la batería.
- Debe leer y entender las instrucciones del manual de la batería y el cargador.

1. Alinee las nervaduras de elevación de la batería con las ranuras del compartimento de la batería.
2. Introduzca la batería en el compartimento de la batería hasta que encaje en su posición.
3. Cuando escuche un clic, la batería está instalada.



8.6 RETIRADA DE LA BATERÍA

1. Pulse y mantenga pulsado el botón de desbloqueo de la batería.
2. Retire la batería de la máquina.

9 FUNCIONAMIENTO

i IMPORTANTE

Antes de utilizar la máquina, debe leer y entender las normas de seguridad y las instrucciones de funcionamiento.

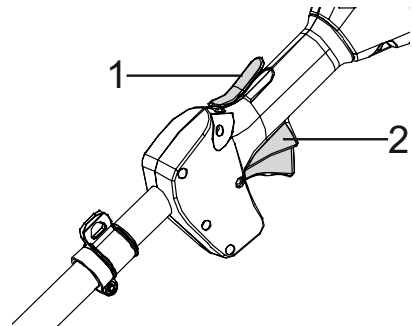
▲ AVISO

Tenga cuidado cuando utilice la máquina.

9.1 CONTROLES

9.2 DÉMARREZ LA MACHINE

1. Appuyez sur le bouton de verrouillage (1) et tirez la gâchette (2).



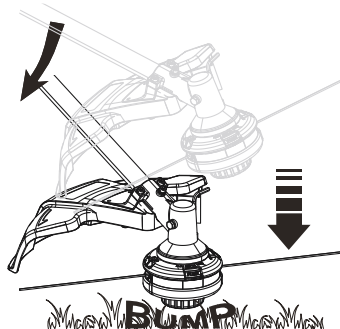
9.3 DETENCIÓN DE LA MÁQUINA

1. Suelte el gatillo para detener la máquina.

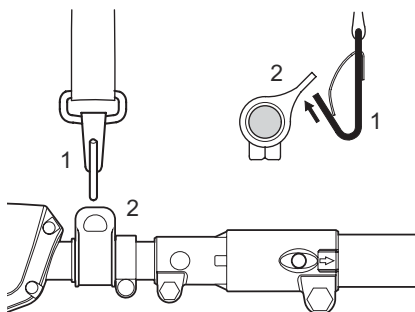
9.4 AJUSTE DE LA LONGITUD DEL HILO DE CORTE

Mientras utiliza la máquina, el hilo de corte se desgasta y se acorta. Puede ajustar la longitud del hilo de corte.

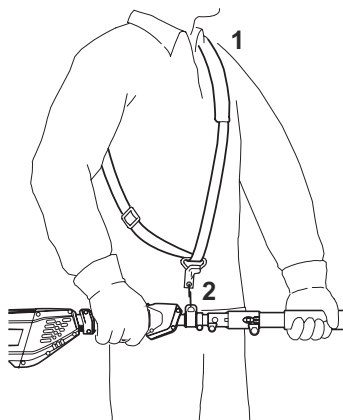
1. Golpee el cabezal de corte contra el suelo mientras utiliza la máquina.
2. El hilo se libera automáticamente y la cuchilla de corte corta la longitud sobrante.



9.5 FIJACIÓN DE LA MÁQUINA A LA CORREA DE HOMBRO



1. Fije el mosquetón al anillo de transporte en el tubo de accionamiento.



2. Póngase la correa de hombro.
3. Ajuste la longitud de la correa para que el mosquetón quede aproximadamente a la anchura de una mano debajo de su cadera derecha.

9.6 CONSEJOS DE FUNCIONAMIENTO

▲ AVISO

Mantenga un espacio entre el cuerpo y la máquina.

▲ AVISO

No utilice la máquina sin la protección en su posición.

Le sugerimos lo siguiente cuando utilice la máquina

- Mantenga una posición firme con las dos manos en la máquina mientras la utiliza.
- Corte la hierba alta de arriba a abajo.

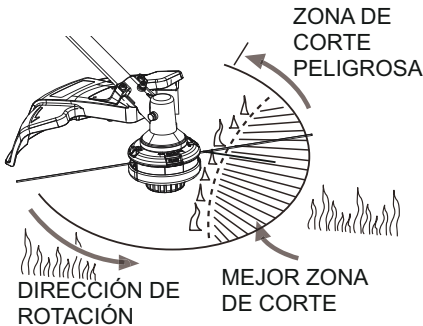
Si se enrolla hierba alrededor del cabezal de corte:

- Retire la batería.
- Quite la hierba.



9.7 CONSEJOS DE CORTE

- Incline la máquina hacia la zona que va a cortar. Utilice la punta del hilo de corte para cortar hierba.
- Mueva la máquina de derecha a izquierda para evitar que los residuos despedidos golpeen al operario.
- No corte en la zona peligrosa.
- No fuerce el cabezal de corte en hierba sin cortar.
- Las cercas de alambres y estacas provocan el desgaste y la rotura del hilo de corte. Las paredes de piedra y de ladrillo, los bordillos y la madera pueden desgastar rápidamente el hilo de corte.



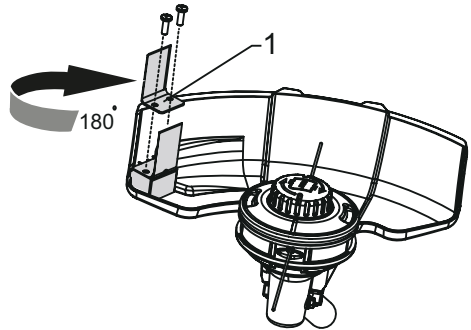
9.8 AJUSTE DEL DIÁMETRO DE CORTE

¡ NOTA

La máquina está ajustada a un diámetro de corte de 14" (356 mm). Puede ajustarla a un diámetro de corte de 16" (406 mm).

Ajuste el diámetro de corte a 14" (356 mm) para un tiempo de funcionamiento mayor y a 16" (406 mm) para una zona de corte más extensa.

1. Retire la batería.
2. Retire los tornillos de la cuchilla de la cuchilla de corte (1).
3. Gire la cuchilla de corte 180°.
4. Apriete los tornillos de la cuchilla.



9.9 CUCHILLA DE CORTE DE HILO

Este cortabordes está equipado con una cuchilla de corte de hilo (1) en la protección. La cuchilla de corte de hilo recorta continuamente el hilo para garantizar un diámetro de corte uniforme y eficaz. Avance el hilo cada vez que escuche que el motor funciona más rápido de lo normal, o cuando la eficiencia del corte disminuya. Esto mantendrá el mejor rendimiento y mantendrá el hilo el tiempo suficiente para avanzar adecuadamente.

10 MANTENIMIENTO

¡ IMPORTANTE

Debe leer y entender los reglamentos de seguridad y las instrucciones de mantenimiento antes de limpiar, reparar o realizar tareas de mantenimiento en la máquina.

¡ IMPORTANTE

Asegúrese de que todas las tuercas, los pernos y los tornillos estén apretados. Examine periódicamente que las asas estén bien instaladas.

i IMPORTANTE

Utilice únicamente las piezas de repuesto y los accesorios del fabricante original.

10.1 INFORMACIÓN GENERAL

i IMPORTANTE

Únicamente un distribuidor o un centro de servicio autorizado puede realizar el mantenimiento que no se indica en este manual.

Antes de las operaciones de mantenimiento:

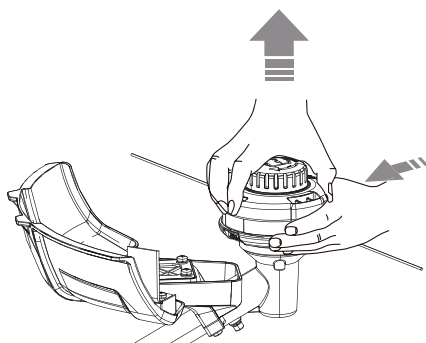
- Detenga la máquina.
- Retire la batería.
- Deje que se enfríe el motor.
- Almacene la máquina en un lugar fresco y seco.
- Utilice ropa adecuada, guantes protectores y gafas de seguridad.

10.2 LIMPIEZA DE LA MÁQUINA

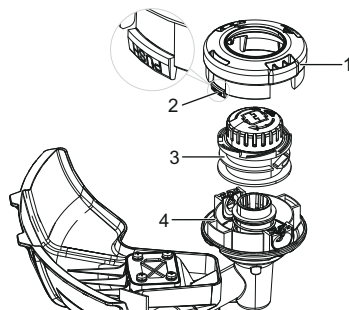
- Limpie la máquina después de utilizarla con un paño húmedo humedecido en detergente neutro.
- No utilice detergentes o disolventes agresivos para limpiar las piezas de plástico o las asas.
- Mantenga el cabezal de corte libre de hierba, hojas o grasa excesiva.
- Mantenga los respiraderos limpios y libres de residuos para evitar el sobrecalentamiento y daños al motor o la batería.
- No pulverice agua sobre el motor ni los componentes eléctricos.

10.3 RETIRADA DEL EXCESO DE HILO

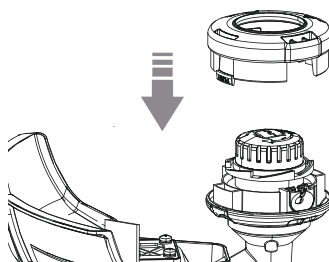
1. Presione las pestañas (2) de los laterales del cabezal de corte al mismo tiempo.



2. Tire para retirar la cubierta del carrete (1).



3. Retire el hilo restante.
4. Limpie la suciedad y los residuos de todas las piezas. Sustituya el carrete (3) si está desgastado o dañado.
5. Alinee las pestañas del carrete con las aberturas de las pestañas en la base del carrete (4).
6. Introduzca la cubierta del carrete hasta que encaje en su posición.

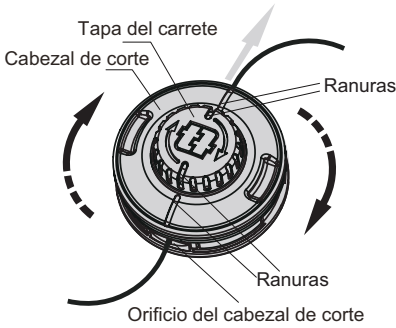


10.4 INSTALACIÓN DEL HILO DE CORTE

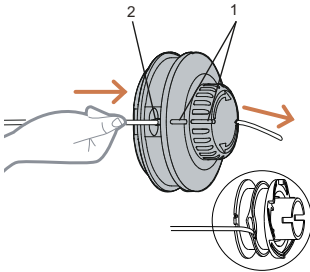
i NOTA

No ponga más de 5 m de hilo de corte cada vez.

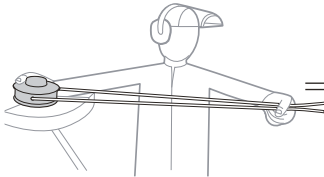
1. Retire el hilo de corte restante del carrete.
2. Alinee las ranuras (1) de la tapa del carrete con las ranuras (2) del cabezal de corte.



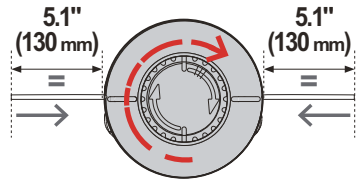
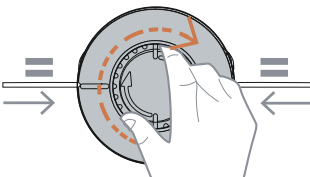
- Introduzca el hilo de corte por el orificio. Introduzca el hilo de corte hasta que salga por el orificio contrario.



- Tire del hilo de corte hasta que haya una cantidad igual de hilo de corte a cada lado.

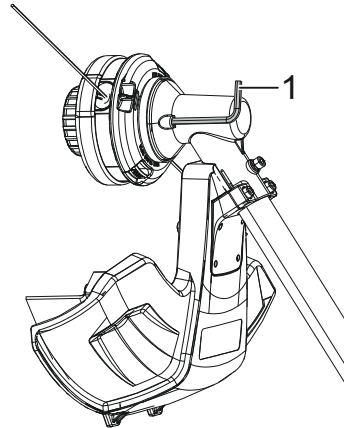


- Gire la tapa del carrete en sentido horario para enrollar el hilo de corte en el cabezal de corte. Mantenga aproximadamente 12,5 cm de hilo de corte por encima de cada lado del cabezal de corte.

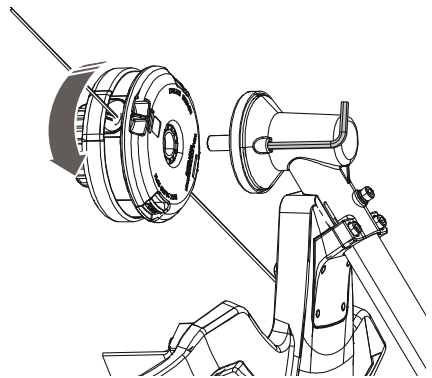


10.5 RETIRADA DEL CABEZAL DE CORTE

- Coloque la varilla metálica (1) en el orificio de transmisión del ángulo especificado para fijar el cabezal de corte.



- Gire el cabezal de corte en sentido horario para aflojarlo. No retire el espaciador del eje.



10.6 MONTAJE DEL CABEZAL DE CORTE

1. Coloque la varilla metálica en el orificio de transmisión del ángulo especificado para fijar el cabezal de corte.
2. Monte el cabezal de corte.
3. Gire el cabezal de corte en sentido antihorario para apretarlo.
4. Retire la varilla metálica.

i IMPORTANTE

Debe instalar la cuchilla de corte cuando utilice el cabezal de corte.

11 TRANSPORTE Y ALMACENAMIENTO

▲ AVISO

Retire la batería de la máquina antes del transporte y el almacenamiento.

11.1 TRASLADO DE LA MÁQUINA

Cuando mueva la máquina debe:

- Detenga la máquina.
- Retire la batería.

11.2 ALMACENAMIENTO DE LA MÁQUINA

- Retire la batería de la máquina.
- Asegúrese de que los niños no puedan acercarse a la máquina.
- Mantenga la máquina alejada de agentes corrosivos, como sustancias químicas para jardín y sales para descongelación.
- Fije la máquina durante el transporte para evitar daños o lesiones. Limpie y examine si hay daños en la máquina.

12 SOLUCIÓN DE PROBLEMAS

Problema	Posible causa	Solución
La máquina no se pone en marcha cuando aprieta el gatillo.	No hay contacto eléctrico entre la máquina y la batería.	1. Retire la batería. 2. Compruebe el contacto e instale de nuevo la batería.
	La batería se ha agotado.	Cargue la batería.
	El botón de desbloqueo y el gatillo no se presionan al mismo tiempo.	1. Apriete el botón de desbloqueo y sujételo. 2. Apriete el gatillo para poner en marcha la máquina.

ES

Problema	Posible causa	Solución
La máquina se detiene cuando corta.	La protección no está fijada a la máquina.	Retire la batería y fije la protección a la máquina.
	Se utiliza un hilo de corte pesado.	Utilice únicamente con el hilo de corte de nylon de 0.08" (2 mm) de diámetro.
	La hierba se enrolla alrededor del eje del motor o del cabezal de corte.	1. Detenga la máquina. 2. Retire la batería. 3. Retire la hierba del eje del motor y del cabezal de corte.
	El motor se ha sobrecargado.	1. Retire el cabezal de corte de la hierba. 2. El motor se recuperará para funcionar en cuanto se retire la carga. 3. Cuando corte, mueva el cabezal de corte hacia dentro y fuera de la hierba que va a cortar y quite no más de 8" (20 cm) en cada pasada.
	La batería o la máquina está demasiado caliente.	1. Deje enfriar la batería hasta que el funcionamiento vuelva a la normalidad. 2. Deje enfriar la máquina durante aproximadamente 10 minutos.
	La batería se ha desconectado de la herramienta.	Instale de nuevo la batería.
	La batería se ha agotado.	Cargue la batería.
El hilo no avanza.	Los hilos se han quedado soldados.	Lubrique con spray de silicona.
	No ha suficiente hilo en el carrete.	Instale más hilo.
	Los hilos se desgastan y son demasiado cortos.	Avance el hilo de corte.
	Los hilos están enredados en el carrete.	1. Retire los hilos del carrete. 2. Enrolle los hilos.

Problema	Posible causa	Solución
El hilo se rompe continuamente.	La máquina se está utilizando incorrectamente.	1. Corte con la punta del hilo, evite piedras, paredes y otros objetos duros. 2. Avance el hilo de corte periódicamente para mantener el ancho de corte completo.
La hierba se enrolla alrededor del cabezal de corte y de la carcasa del motor.	Corte la hierba alta al nivel del suelo.	1. Corte la hierba alta de arriba a abajo. 2. No quite más de 8" (20 cm) en cada pasada para evitar que se enrolle.
El hilo no corta bien.	La cuchilla de corte se ha desafilado.	Afile la cuchilla de corte con una lima o sustitúyala.
Las vibraciones aumentan notablemente.	El hilo está gastado en un lado y no se ha avanzado a tiempo.	Asegúrese de que el hilo a ambos lados esté normal. Avance el hilo.

13 DATOS TÉCNICOS

Tipo	Inalámbrico, con funcionamiento a batería
Motor	80V Sin escobillas
Velocidad sin carga	5500 ±10% / 5000 ±10% RPM
Diámetro de hilo de corte	0.08" (2 mm)
Diámetro de recorrido de corte	14"/16" (356/406 mm)
Tipo de alimentación	Avance por sacudida
Peso (sin batería)	10.6 lbs (4.8 kg)
Modelo de batería	2901302/BAB726/BAB727 y otras series BAB
Modelo de cargador	2901402 y otras series CAB

El intervalo de temperatura ambiente recomendado:

Elemento	Temperatura
Intervalo de temperatura de almacenamiento del cortabordes	32°F (0°C) - 113°F (45°C)
Intervalo de temperatura de funcionamiento del cortabordes	32°F (0°C) - 113°F (45°C)

Elemento	Temperatura
Intervalo de temperatura de carga de la batería	39°F (4°C) - 104°F (40°C)
Intervalo de temperatura de funcionamiento del cargador	39°F (4°C) - 104°F (40°C)
Intervalo de temperatura de almacenamiento de la batería	32°F (0°C) - 113°F (45°C)
Intervalo de temperatura de descarga de la batería	32°F (0°C) - 113°F (45°C)

14 GARANTÍA LIMITADA



Por la presente Greenworks garantiza este producto, al comprador original con el comprobante de compra, durante un periodo de cuatro (4) años frente a defectos en materiales, piezas o mano de obra. A su entera discreción Greenworks reparará o sustituirá cualquiera y todas las piezas que resulten ser defectuosas, con un uso normal, sin coste alguno para el cliente. Esta garantía es válida únicamente para unidades que se hayan utilizado para uso personal que no han sido arrendadas o alquiladas para uso industrial/comercial y cuyo mantenimiento se ha realizado de acuerdo con las instrucciones del manual del propietario suministrado con el producto nuevo.

ARTÍCULOS NO CUBIERTOS POR LA GARANTÍA:

1. Cualquier pieza que no funcione debido a mal uso, uso comercial, abuso, negligencia, accidente, mantenimiento inadecuado o alteración; o
2. La unidad, si no ha sido utilizada o mantenida de acuerdo con el manual del propietario; o
3. Desgaste normal, excepto en lo indicado a continuación;
4. Artículos de mantenimiento de rutina tales como lubricantes, afilado de cuchillas;
5. Deterioro normal del acabado exterior debido al uso o la exposición.

LÍNEA DE ASISTENCIA TELEFÓNICA:

Puede contactar con el servicio de garantía llamando a nuestra línea de asistencia telefónica gratuita, a 1-888-909-6757.

COSTES DE TRANSPORTE:

Los costes de transporte por el desplazamiento de cualquier unidad o accesorio de equipos eléctricos son responsabilidad del comprador. Es responsabilidad del comprador pagar los costes de transporte de cualquier pieza enviada para su sustitución bajo esta garantía, a menos que dicha devolución sea solicitada por escrito por Greenworks.

Dirección en EE.UU.:

Greenworks Tools

P.O. Box 1238

Mooresville, NC 28115

Dirección en Canadá:

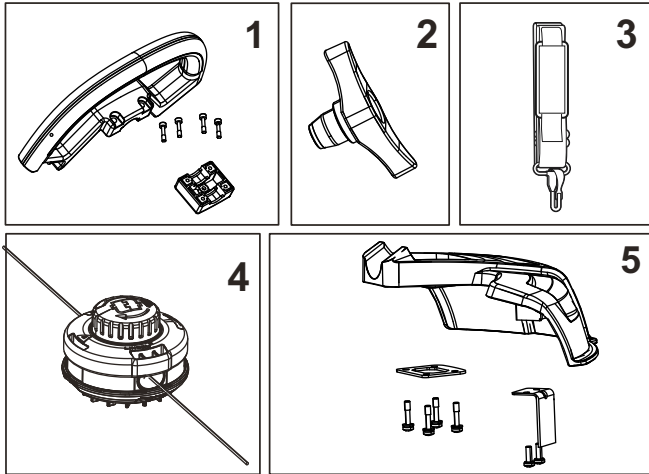
Greenworks Tools Canada Inc.

P.O. Box 93095, Newmarket,
Ontario

L3Y 8K3

15 VISTA DESPIEZADA

ES



Nº	Nº pieza	Ca nt.	Descripción	Nº	Nº pieza	Ca nt.	Descripción
1	RB34130334V	1	Conjunto de asa auxiliar	4	R0201685-00	1	Conjunto de cabezal de corte
2	R0201784-00	1	Mando	5	R0201786-00	1	Conjunto de protección
3	RB37902144	1	Correa de hombro				

