

# greenworks

**HG24B00**  
**HG24B210**

EN HEAT GUN

FR PISTOLET THERMIQUE

ES PISTOLA TÉRMICA

OPERATOR MANUAL

MANUEL D'OPÉRATEUR

MANUAL DEL OPERADOR



**HGG301**

[www.greenworkstools.com](http://www.greenworkstools.com)



<b>1</b>	<b>Description.....</b>	<b>4</b>	7.1	Unpack the machine.....	8
1.1	Purpose.....	4	7.2	Install the battery pack.....	8
1.2	Overview.....	4	7.3	Remove the battery pack.....	8
1.3	Packing list.....	4	7.4	Install the nozzle.....	8
<b>2</b>	<b>General power tool safety</b>		7.5	Remove the nozzle.....	8
	<b>warnings.....</b>	<b>4</b>	<b>8</b>	<b>Operation.....</b>	<b>9</b>
2.1	Work area safety.....	4	8.1	Start the machine.....	9
2.2	Electrical safety.....	4	8.2	Stop the machine.....	9
2.3	Personal safety.....	5	8.3	LED light.....	9
2.4	Power tool use and care.....	5	8.4	Hanger.....	9
2.5	Battery tool use and care.....	5	8.5	Accessories.....	9
2.6	Service.....	5	<b>9</b>	<b>Maintenance.....</b>	<b>10</b>
<b>3</b>	<b>Safety warnings.....</b>	<b>6</b>	9.1	Clean the machine.....	10
<b>4</b>	<b>Symbols on the product.....</b>	<b>7</b>	<b>10</b>	<b>Technical data.....</b>	<b>10</b>
<b>5</b>	<b>Risk levels.....</b>	<b>7</b>	<b>11</b>	<b>Limited warranty.....</b>	<b>10</b>
<b>6</b>	<b>Proposition 65.....</b>	<b>8</b>	<b>12</b>	<b>Exploded view.....</b>	<b>11</b>
<b>7</b>	<b>Installation.....</b>	<b>8</b>			

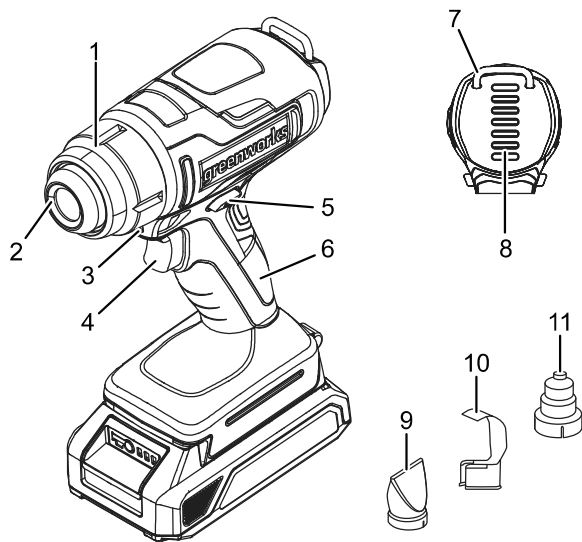
## 1 DESCRIPTION

### 1.1 PURPOSE

This machine is used for :

- Shrinking of shrink tubing, packaging and electrical components.
- Deforming of articles made from acrylic, PVC, and polystyrene tubing, plates, and profiles.
- Welding of thermoplastic polymer, flooring materials of PVC and linoleum, PVC-coated fabric, wallpaper, tarpaulins and foils.
- Soldering of tin, special silver solder, SMD elements, cable lugs, and for loosening soldered connections.
- Paint removal. Removal of old coatings of oil paint, varnish, and synthetic plaster.
- Drying of color shade samples, filter, adhesives, construction joints and stucco forms.
- Joining adhesives. Large surface gluing with contact adhesives, activation of pressure, or heat sensitive adhesives, acceleration of bonding processes, releasing of bonding points as well as releasing or bonding of edge bond or veneer.
- Defrosting of icy stairs and steps, door locks, trunk lids, car doors or metal water pipes.

### 1.2 OVERVIEW



- |   |                  |    |                  |
|---|------------------|----|------------------|
| 1 | Sleeve           | 7  | Hanger           |
| 2 | Air Outlet       | 8  | Air Intake       |
| 3 | LED Light        | 9  | Flat Nozzle      |
| 4 | Trigger          | 10 | Hook Nozzle      |
| 5 | LOCK-OFF Trigger | 11 | Reduction Nozzle |
| 6 | Handle           |    |                  |

### 1.3 PACKING LIST

- |   |                                 |   |        |
|---|---------------------------------|---|--------|
| 1 | Heat gun                        | 3 | Manual |
| 2 | Nozzles (Flat, Hook, Reduction) |   |        |

## 2 GENERAL POWER TOOL SAFETY WARNINGS

### ▲ WARNING

**Read all safety warnings and all instructions.** Failure to follow the warnings and instructions may result in electric shock, fire and/or serious injury.

**Save all warnings and instructions for future reference.**

The term "power tool" in the warnings refers to your mains-operated (corded) power tool or battery-operated (cordless) power tool.

### 2.1 WORK AREA SAFETY

- **Keep work area clean and well lit.** Cluttered or dark areas invite accidents.
- **Do not operate power tools in explosive atmospheres, such as in the presence of flammable liquids, gases or dust.** Power tools create sparks which may ignite the dust or fumes.
- **Keep children and bystanders away while operating a power tool.** Distractions can cause you to lose control.

### 2.2 ELECTRICAL SAFETY

- **Power tool plugs must match the outlet. Never modify the plug in any way. Do not use any adapter plugs with earthed (grounded) power tools.** Unmodified plugs and matching outlets will reduce risk of electric shock.
- **Avoid body contact with earthed or grounded surfaces, such as pipes, radiators, ranges and refrigerators.** There is an increased risk of electric shock if your body is earthed or grounded.
- **Do not expose power tools to rain or wet conditions.** Water entering a power tool will increase the risk of electric shock.
- **Do not abuse the cord. Never use the cord for carrying, pulling or unplugging the power tool. Keep cord away from heat, oil, sharp edges and moving parts.** Damaged or entangled cords increase the risk of electric shock.
- **When operating a power tool outdoors, use an extension cord suitable for outdoor use.** Use of a cord suitable for outdoor use reduces the risk of electric shock.
- **If operating a power tool in a damp location is unavoidable, use a RESIDUAL CURRENT DEVICE (RCD) protected supply.** Use of an RCD reduces the risk of electric shock.

## 2.3 PERSONAL SAFETY

- **Stay alert, watch what you are doing and use common sense when operating a power tool. Do not use a power tool while you are tired or under the influence of drugs, alcohol or medication.** *A moment of inattention while operating power tools may result in serious personal injury.*
- **Use personal protective equipment. Always wear eye protection.** *Protective equipment such as a dust mask, non-skid safety shoes, hard hat or hearing protection used appropriately will reduce personal injuries.*
- **Prevent unintentional starting. Ensure the switch is in the off position before connecting to power source and/or battery pack and when picking up or carrying the tool.** *Carrying power tools with your finger on the switch or energizing power tools that have the switch on invites accidents.*
- **Remove any adjusting key or wrench before turning the power tool on.** *A wrench or a key left attached to a rotating part of the power tool may result in personal injury.*
- **Do not over-reach. Keep proper footing and balance at all times.** *This enables better control of the power tool in unexpected situations.*
- **Dress properly. Do not wear loose clothing or jewelry. Keep your hair, clothing and gloves away from moving parts.** *Loose clothes, jewelry or long hair can be caught in moving parts.*
- **If devices are provided for the connection of dust extraction and collection facilities, ensure these are connected and properly used.** *Use of dust collection can reduce dust related hazards.*
- **Do not let familiarity gained from frequent use of tools allow you to become complacent and ignore tool safety principles.** *A careless action can cause severe injury within a fraction of a second.*

## 2.4 POWER TOOL USE AND CARE

- **Do not force the power tool. Use the correct power tool for your application.** *The correct power tool will do the job better and safer at the rate for which it was designed.*
- **Do not use the power tool if the switch does not turn it on and off.** *Any power tool that cannot be controlled with the switch is dangerous and must be repaired.*
- **Disconnect the plug from the power source and/or the battery pack from the power tool before making any adjustments, changing accessories, or storing power tools.** *Such preventive safety measures reduce the risk of starting the power tool accidentally.*
- **Store idle power tools out of the reach of children and do not allow persons unfamiliar with the power tool or these instructions to operate the power tool.** *Power tools are dangerous in the hands of untrained users.*
- **Maintain power tools and accessories. Check for misalignment or binding of moving parts, breakage of parts and any other condition that may affect the**

**power tool's operation. If damaged, have the power tool repaired before use.** *Many accidents are caused by poorly maintained power tools.*

- **Keep cutting tools sharp and clean.** *Properly maintained cutting tools with sharp cutting edges are less likely to bind and are easier to control.*
- **Use the power tool, accessories and tool bits etc. in accordance with these instructions, taking into account the working conditions and the work to be performed.** *Use of the power tool for operations different from those intended could result in a hazardous situation.*
- **Keep handles and grasping surfaces dry, clean and free from oil and grease.** *Slippery handles and grasping surfaces do not allow for safe handling and control of the tool in unexpected situations.*

## 2.5 BATTERY TOOL USE AND CARE

- **Recharge only with the charger specified by the manufacturer.** *A charger that is suitable for one type of battery pack may create a risk of fire when used with another battery pack.*
- **Use power tools only with specifically designated battery packs.** *Use of any other battery packs may create a risk of injury and fire.*
- **When battery pack is not in use, keep it away from other metal objects like paper clips, coins, keys, nails, screws, or other small metal objects that can make a connection from one terminal to another.** *Shorting the battery terminals together may cause burns or fire.*
- **Under abusive conditions, liquid may be ejected from the battery; avoid contact. If contact accidentally occurs, flush with plenty of soap and water. If liquid contacts eyes, immediately seek medical help.** *Liquid ejected from the battery may cause irritation or burns.*
- **Do not use a battery pack or tool that is damaged or modified.** *Damaged or modified batteries may exhibit unpredictable behaviour resulting in fire, explosion or risk of injury.*
- **Do not expose a battery pack or tool to fire or excessive temperature.** *Exposure to fire or temperature above 130 °C may cause explosion.*
- **Follow all charging instructions and do not charge the battery pack or tool outside the temperature range specified in the instructions.** *Charging improperly or at temperatures outside the specified range may damage the battery and increase the risk of fire.*

## 2.6 SERVICE

- **Have your power tool serviced by a qualified repair person using only identical replacement parts.** *This will ensure that the safety of the power tool is maintained.*
- **Never service damaged battery packs.** *Service of battery packs should only be performed by the manufacturer or authorized service providers.*

### 3 SAFETY WARNINGS

**Lingering or pausing in one spot could ignite the panel or the material behind it.** *Hidden areas such as behind walls, ceilings, floors, soffit boards and other panels may contain flammable materials that could be ignited by the heat gun when working in these locations. The ignition of these materials may not be readily apparent and could result in property damage and injury to persons. When working in these locations, keep the heat gun moving in a back-and-forth motion.*

**Persons removing paint should follow these guidelines:**

- *Move the work piece outdoors. If this is not possible, keep the work area well ventilated. Open the windows and put an exhaust fan in one of them. Be sure the fan is moving the air from inside to outside.*
- *Remove or cover any carpets, rugs, furniture, clothing, cooking utensils and air ducts.*
- *Place drop cloths in the work area to catch any paint chips or peelings. Wear protective clothing such as extra work shirts, overalls and hats.*
- *Work in one room at a time. Furnishings should be removed or placed in the center of the room and covered. Work areas should be sealed off from the rest of the dwelling by sealing doorways with drop cloths.*
- *Children, pregnant or potentially pregnant women and nursing mothers should not be present in the work area until the work is done and all clean up is complete.*
- *Wear a dust respirator mask or a dual filter (dust and fume) respirator mask which has been approved by the Occupational Safety and Health Administration (OSHA), the National Institute of Safety and Health (NIOSH), or the United States Bureau of Mines. These masks and replaceable filters are readily available at major hardware stores. Be sure the mask fits. Beards and facial hair may keep masks from sealing properly. **Change filters often. Disposable paper masks are not adequate.***
- *Use caution when operating the heat gun. Keep the heat gun moving as excessive heat will generate fumes which can be inhaled by the operator.*
- *Keep food and drink out of the work area. Wash hands, arms and face and rinse mouth before eating or drinking. Do not smoke or chew gum or tobacco in the work area.*
- *Clean up all removed paint and dust by wet mopping the floors. Use a wet cloth to clean all walls, sills and any other surface where paint or dust is clinging. Do not sweep, dry dust or vacuum. Use a high phosphate detergent or trisodium phosphate (TSP) to wash and mop areas.*
- *At the end of each work session put the paint chips and debris in a double plastic bag, close it with tape or twist ties and dispose of properly.*
- *Remove protective clothing and work shoes in the work area to avoid carrying dust into the rest of the dwelling. Wash work clothes separately. Wipe shoes off with a wet rag that is then washed with the work clothes. Wash hair and body thoroughly with soap and water.*

#### ▲ WARNING

Extreme care should be taken when stripping paint. The peelings, residue and vapors of paint may contain lead, which is poisonous. Any pre-1977 paint may contain lead and paint applied to homes prior to 1950 is likely to contain lead. Once deposited on surfaces, hand to mouth contact can result in the ingestion of lead. Exposure to even low levels of lead can cause irreversible brain and nervous system damage; young and unborn children are particularly vulnerable.

Before beginning any paint removal process you should determine whether the paint you are removing contains lead. This can be done by your local health department or by a professional who uses a paint analyzer to check the lead content of the paint to be removed.

**LEAD-BASED PAINT SHOULD ONLY BE REMOVED BY A PROFESSIONAL AND SHOULD NOT BE REMOVED USING A HEAT GUN.**

**Do not immerse in water.** *To reduce the risk of fire or electric shock, do not expose this product to rain or moisture. Store indoors in a dry location. Read instruction manual before using.*

**Do not direct the heat gun air airflow at clothing, hair or other body parts. Do not use as a hair dryer.** *Heat guns can produce 1100°F (593°C) or more of flameless heat at the nozzle. Contact with the air stream could result in personal injury.*

**Do not use near flammable liquids or in explosive atmospheres, such as in the presence of fumes, gases or dust.** *The flameless heat from the heat gun may ignite the dust or fumes. Remove materials or debris that may become ignited from work area.*

**Shield materials around the heated area to prevent property damage or fire.**

**Keep a fire extinguisher nearby.** *Heat guns may ignite flammable materials left in the work area.*

#### ▲ WARNING

**Hot Surfaces. Always hold the heat gun by the plastic enclosure. Do not touch nozzle, accessory tips or store heat gun until the nozzle has cooled to room temperature.**

The metal nozzle requires approximately 20 minutes to cool before it can be touched. Contact with the nozzle or accessory tip could result in personal injury. Place the heat gun in a clear area away from combustible materials while cooling to prevent flammable materials from igniting.

**Do not cut off airflow by placing nozzle too close to workpiece.** *Keep intake vents clean and clear of obstructions. Restricting airflow may cause the heat gun to overheat.*

**Place the heat gun on a stable, level surface when not hand held.**

**Do not direct airflow directly on glass.** *The glass may crack and could result in property damage or personal injury.*

*This appliance (For attached charger) has a polarized plug (one blade is wider than the other). To reduce the risk of electric shock, this plug is intended to fit in a polarized outlet only one way. If the plug does not fit fully in the outlet, reverse the plug. If it still does not fit, contact a qualified electrician. Do not modify the plug in any way.*

*A battery operated heat gun with a detachable battery back shall be recharged only with the specified charger for the battery. A charger that may be suitable for one type of battery may create a risk of fire when used with another battery.*

*Use battery operated heat gun only with specifically designed battery pack. Use of any other batteries may create a risk of fire.*

*When battery pack is not in use, keep it away from other metal objects like: paper, clips, coins, keys, nails, screws, or other small metal objects that can make a connection from one terminal to another. Shorting the battery terminals together may cause sparks, burns or a fire*

*Do not incinerate this heat gun even if it is severely damaged. The batteries can explode in a fire.*

*This appliance is not intended for use by persons (including children) with reduced physical, sensory or mental capabilities, or lack of experience and knowledge, unless they have been given supervision or instruction concerning use of the appliance by a person responsible for their safety.*

*Children should be supervised to ensure that they do not play with the appliance. The appliance is only to be used with the power supply unit provided with the appliance.*

*The appliance is only to be used with the power supply unit provided with the appliance.*

**A fire may result if the appliance is not used with care, therefore:**

- *Be careful when using the appliance in places where there are combustible materials;*
- *Do not apply to the same place for a long time;*
- *Do not use in presence of an explosive atmosphere;*
- *Be aware that heat may be conducted to combustible materials that are out of sight;*
- *Place the appliance on its stand after use and allow it to cool down before storage;*
- *Do not leave the appliance unattended when it is switched on or cooled down.*

## 4 SYMBOLS ON THE PRODUCT

Some of the following symbols may be used on this tool. Please study them and learn their meaning. Proper interpretation of these symbols will allow you to operate the tool better and safer.

Symbol	Explanation
V	Voltage

Symbol	Explanation
	Direct current
	Read all safety warnings and all instructions.
	Safety alert
	Wear eye protection
	Keep hands away.

## 5 RISK LEVELS

The following signal words and meanings are intended to explain the levels of risk associated with this product.

SYM-BOL	SIGNAL	MEANING
	DANGER	Indicates an imminently hazardous situation, which, if not avoided, will result in death or serious injury.
	WARNING	Indicates a potentially hazardous situation, which, if not avoided, could result in death or serious injury.
	CAUTION	Indicates a potentially hazardous situation, which, if not avoided, may result in minor or moderate injury.
	CAUTION	(Without Safety Alert Symbol) Indicates a situation that may result in property damage.

## 6 PROPOSITION 65

### ▲ WARNING

This product contains a chemical known to the state of California to cause cancer, birth defects or other reproductive harm. Some dust created by power sanding, sawing, grinding, drilling, and other construction activities contains chemicals known to cause cancer, birth defects or other reproductive harm. Some examples of these chemicals are:

- Lead from lead-based paints;
- Crystalline silica from bricks and cement and other masonry products;
- Arsenic and chromium from chemically treated lumber.

Your risk of exposure to these chemicals varies depending on how often you do this type of work. To reduce your exposure to these chemicals, work in a well-ventilated area, and work with approved safety equipment, such as dust masks that are specially designed to filter out microscopic particles.

Save these instructions.

## 7 INSTALLATION

### 7.1 UNPACK THE MACHINE

#### ▲ WARNING

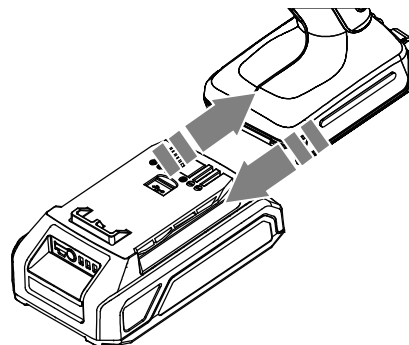
Make sure that you correctly assemble the machine before use.

#### ▲ WARNING

- If parts of the machine are damaged, do not use the machine.
- If you do not have all the parts, do not operate the machine.
- If parts are damaged or missing, contact the service center.

1. Open the package.
2. Read the documentation provided in the box.
3. Remove all the unassembled parts from the box.
4. Remove the machine from the box.
5. Discard the box and packing material in compliance with local regulations.

### 7.2 INSTALL THE BATTERY PACK



#### ▲ WARNING

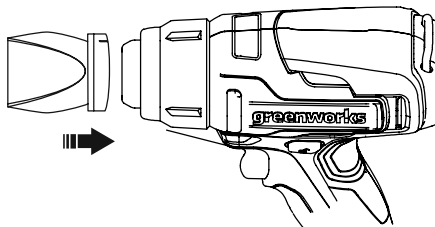
- If the battery pack or charger is damaged, replace the battery pack or the charger.
- Stop the machine and wait until the motor stops before you install or remove the battery pack.
- Read, know, and do the instructions in the battery and charger manual.

1. Align the lift ribs on the battery pack with the grooves in the battery compartment.
2. Push the battery pack into the battery compartment until the battery pack locks into place.
3. When you hear a click, the battery pack is installed.

### 7.3 REMOVE THE BATTERY PACK

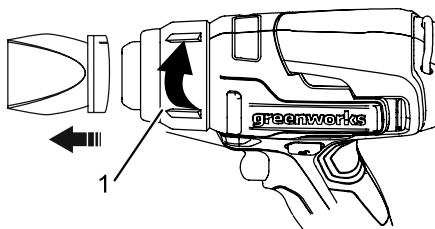
1. Push and hold the battery release button.
2. Remove the battery pack from the machine.

### 7.4 INSTALL THE NOZZLE



1. Install the nozzle into the machine.
2. Make sure that the nozzle is in place.

### 7.5 REMOVE THE NOZZLE



1. Rotate the sleeve (1) in the direction shown in the figure.



- The nozzle falls off automatically.

**▲ WARNING**

Be careful of the high temperature. Do not touch the nozzle until it cools.

## 8 OPERATION

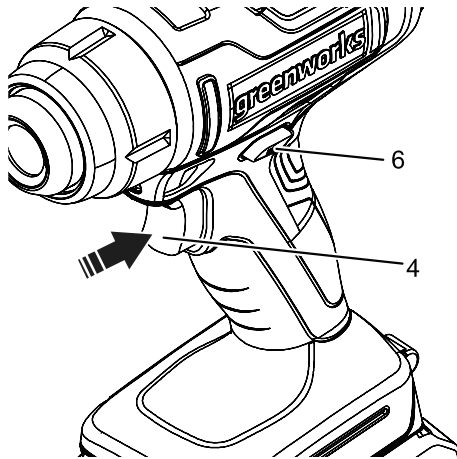
**▲ WARNING**

Always wear eye protection.

**▲ WARNING**

Do not use any attachments or accessories not recommended by the manufacturer of this product.

### 8.1 START THE MACHINE



**i NOTE**

The machine can not work until the LOCK-OFF trigger (6) is pushed fully to the left or right.

- Push the LOCK-OFF trigger (6) to the left or right.
- Push and hold the trigger (4) to turn the heat gun ON.

### 8.2 STOP THE MACHINE

- Release the trigger to turn the machine OFF.

**▲ WARNING**

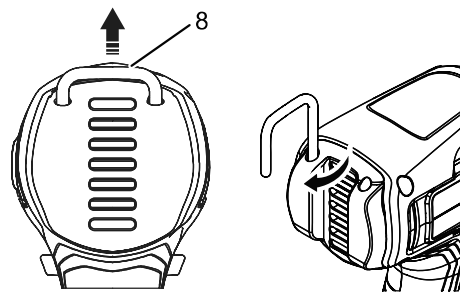
Release the trigger and allow the machine to come to a complete stop.

### 8.3 LED LIGHT



The LED light illuminates when the trigger is depressed. It turns off after a delay when the trigger is released.

### 8.4 HANGER

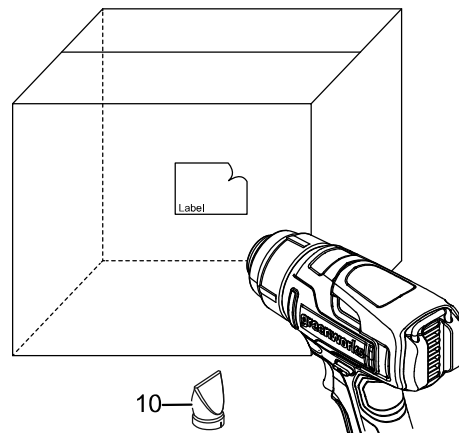


The machine can be hung in a suitable position.

- Pull up the hanger.
- The hanger can be rotated after being pulled up. Rotate the hanger as needed.
- Hang the machine in the suitable position.

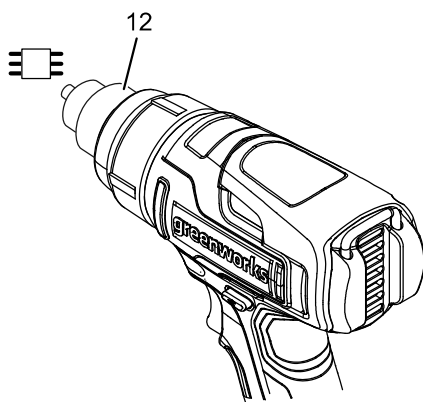
### 8.5 ACCESSORIES

#### FLAT NOZZLE



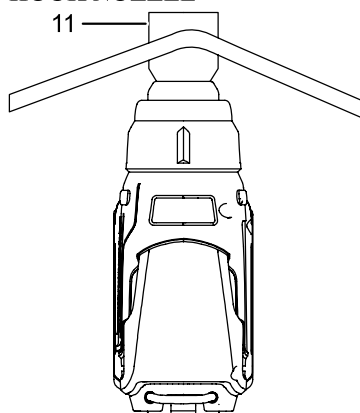
For wider and larger air outlet, use the flat nozzle. For example, dry paint, remove label, etc.

#### REDUCTION NOZZLE



For smaller air outlet, use the reduction nozzle. For example, remove components on circuit board, etc.

#### HOOK NOZZLE



Use the hook to protect surrounding objects from heat radiation. For example, use the hook to protect other wires from heat radiation when one wire among a bundle needs to be processed.

## 9 MAINTENANCE

### ▲ CAUTION

Do not let brake fluids, gasoline, petroleum-based materials touch the plastic parts. Chemicals can cause damage to the plastic, and make the plastic unserviceable.

### ▲ CAUTION

Do not use strong solvents or detergents on the plastic housing or components.

### ▲ WARNING

Remove the battery pack from the machine before maintenance.

## 9.1 CLEAN THE MACHINE

### ▲ CAUTION

The machine must be dry. Humidity can cause risks of electrical shocks.

- Clear the unwanted material out of the air vent with a vacuum cleaner.
- Do not spray the air vent or put the air vent in solvents.
- Clean the housing and the plastic components with a moist and soft cloth.

## 10 TECHNICAL DATA

Voltage	24V
Air Volume	7 cu. ft./min.
Maximum Temperature	1000 °F
BTU Heat Rating	400 W
Weight Without Battery	1.41 lbs
Battery Model	BAG708 and other BAG series
Charger Model	29972 , CAG801 and other CAG series

## 11 LIMITED WARRANTY



Greenworks hereby warrants this product, to the original purchaser with proof of purchase, for a period of three (3) years against defects in materials, parts or workmanship. Greenworks, at its own discretion, will repair or replace any and all parts found to be defective, through normal use, free of charge to the customer. This warranty is valid only for units which have been used for personal use that have not been purchased or rented for industrial/commercial use, and that have been maintained in accordance with the instructions in the owners' manual supplied with the product when new.

### ITEMS NOT COVERED BY WARRANTY:

1. Any part that has become inoperative due to misuse, commercial use, abuse, neglect, accident, improper maintenance, or alteration; or
2. The unit, if it has not been operated and/or maintained in accordance with the owner's manual; or
3. Normal wear;

4. Routine maintenance items such as lubricants, blade sharpening;
5. Normal deterioration of the exterior finish due to use or exposure.

**HELPLINE:**

Warranty service is available by calling our toll-free helpline at 1-888-909-6757.

**TRANSPORTATION CHARGES:**

Transportation charges for the movement of any power equipment unit or attachment are the responsibility of the purchaser. It is the purchaser's responsibility to pay transportation charges for any part submitted for replacement under this warranty unless such return is requested in writing by Greenworks.

**USA address:**

Greenworks Tools

P.O. Box 1238

Mooresville, NC 28115

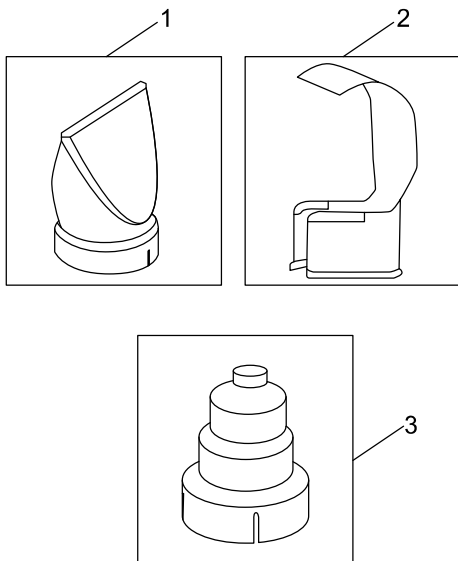
**Canadian address:**

Greenworks Tools Canada, Inc.

P.O. Box 93095, Newmarket,  
Ontario

L3Y 8K3

**12 EXPLODED VIEW**



No.	Part No.	QTY	Description
1.	R0203023-00	1	Flat Nozzle
2.	R0203022-00	1	Hook Nozzle
3.	R0203024-00	1	Reduction Nozzle