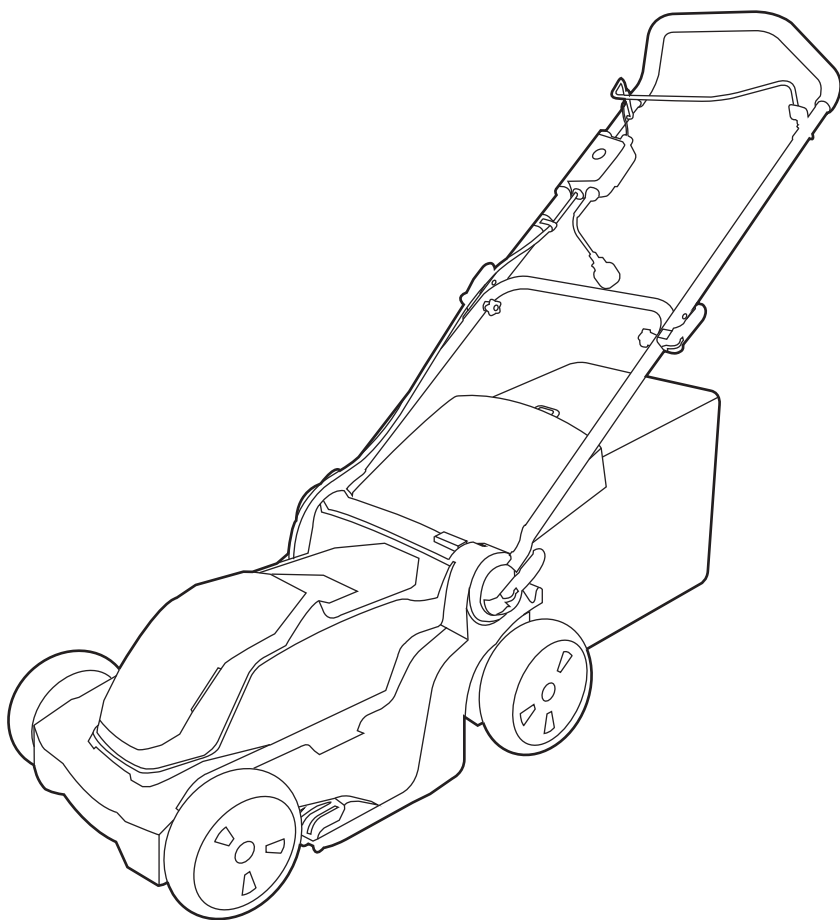


EN	LAWN MOWER	OPERATOR MANUAL
FR	TONDEUSE	MANUEL D'UTILISATION
ES	CORTACÉSPED	MANUAL DEL OPERADOR





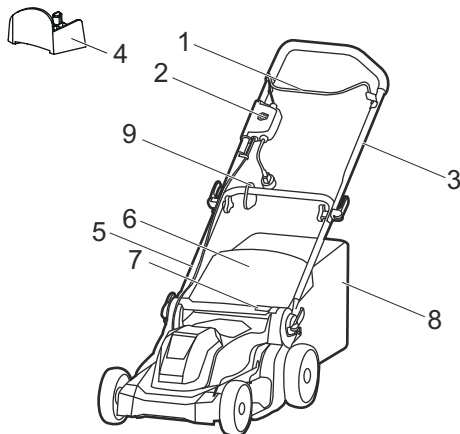
<b>1</b>	<b>Description.....</b>	<b>2</b>	7.4	Install the mulch plug.....	7
1.1	Purpose.....	2	7.5	Set the blade height.....	8
1.2	Overview.....	2	<b>8</b>	<b>Operation.....</b>	<b>8</b>
<b>2</b>	<b>Read all instructions.....</b>	<b>2</b>	8.1	Start the machine.....	8
2.1	General Operation.....	2	8.2	Stop the machine.....	8
2.2	Slope Operation.....	3	8.3	Use the cord retainer.....	9
2.3	Children and Bystanders.....	4	8.4	Empty the grass catcher.....	9
2.4	Service.....	4	8.5	Operate on slopes.....	9
2.5	Double insulated lawn mower.....	4	8.6	Operation tips.....	9
<b>3</b>	<b>Electrical.....</b>	<b>5</b>	<b>9</b>	<b>Maintenance.....</b>	<b>9</b>
<b>4</b>	<b>Symbols on the product.....</b>	<b>5</b>	9.1	General maintenance.....	9
<b>5</b>	<b>Risk levels.....</b>	<b>6</b>	9.2	Replace the blade.....	10
<b>6</b>	<b>Proposition 65.....</b>	<b>6</b>	9.3	Store the machine.....	10
<b>7</b>	<b>Installation.....</b>	<b>6</b>	<b>10</b>	<b>Troubleshooting.....</b>	<b>10</b>
7.1	Unpack the machine.....	6	<b>11</b>	<b>Technical data.....</b>	<b>11</b>
7.2	Unfold and adjust the handle.....	7	<b>12</b>	<b>Limited warranty.....</b>	<b>11</b>
7.3	Install the grass catcher.....	7	<b>13</b>	<b>Exploded view.....</b>	<b>12</b>

## 1 DESCRIPTION

### 1.1 PURPOSE

This machine is used for domestic lawn mowing. The cutting blade must be approximately parallel to the ground. All four wheels must touch the ground while you mow.

### 1.2 OVERVIEW



- 1 Bail lever
- 2 Start button
- 3 Upper handle
- 4 Mulch plug
- 5 Lower handle
- 6 Rear discharge door
- 7 Height adjustment lever
- 8 Grass catcher
- 9 Cord retainer

## 2 READ ALL INSTRUCTIONS

### ▲ DANGER

This machine was built to be operated according to the rules for safe operation included in this manual. As with any type of power equipment, carelessness or error on the part of the operator can result in serious injury. This machine is capable of amputating hands and feet and throwing objects. Failure to observe all safety instructions could result in serious injury or death.

### i NOTE

When using electric lawn mowers, basic safety precautions should always be followed to reduce the risk of fire, electric shock, and personal injury. These basic precautions include the following:

### 2.1 GENERAL OPERATION

- Carefully read all instructions on the mower and in the manual before attempting to assemble and operate the mower. Keep this manual in a safe place for future reference, and consult it regularly.
- Become familiar with all controls and their proper operation. Know how to stop the mower and how to disengage the power in an emergency.
- Do not allow children under the age of 14 to operate this mower. Children who are 14 years of age and older must read and understand the operating instructions and the safety rules in this manual, and must be trained and supervised by a parent.
- Do not allow anyone to operate this mower until they have read and understand the instructions.
- In order to avoid contact with the blade or injury caused by a thrown object, stay in the operator's zone behind the handles, and keep children and bystanders at least 100 ft (30 m) away from the mower while it is in operation. Stop the motor immediately if someone enters the mowing area.
- Thoroughly inspect the area where the equipment is to be used. Remove all stones, sticks, wire, bones, toys, and other foreign objects that could be tripped over or thrown by the blade. Thrown objects can cause serious personal injury.
- Plan your mowing pattern in such a way as to avoid discharging material toward roads, sidewalks, bystanders, etc. Do not discharge material against a wall or obstruction. Doing so may cause the discharged material to ricochet back toward the operator.
- Always wear proper eye protection in order to protect your eyes while operating or performing any adjustment or repair. Thrown objects that ricochet can cause serious eye injury.
- Always wear a face mask or a dust mask when operating the mower in a dusty environment.
- Dress properly. Do not wear loose clothing or jewellery that can get caught in moving parts. The wearing of protective gloves and safety footwear is recommended.
- In order to prevent electric shock, use this mower only with a CSA/UL listed extension cord that is approved for outdoor use, such as Type SW, SOW, STW, STOW, SJW, SJOW, SJTW, or SJTOW.
- Extension Cord: Verify that the extension cord is in good condition, is the proper gauge to carry the current that your mower will draw, and is polarized (one blade of the plug is wider than the other).

A 25 ft (7.6 m) extension cord should be of 16 gauge, a 50 ft (15 m) extension cord should be 16 gauge, a 100 ft (30 m) extension cord should be 14 gauge, and a 150 ft (45 m) extension cord should be 12 gauge. Undersized cords cause a drop in the line voltage, which leads to a loss of power and overheating.

- In order to reduce the risk of electric shock, this lawn mower is equipped with a polarized plug (one blade is wider than the other), and must be used with a polarized extension cord. The lawn mower's plug will only fit into the polarized extension cord one way. If the plug does not fit into the extension cord properly, reverse the plug. If the plug still does not fit, obtain a proper polarized extension cord. A polarized extension cord must be plugged into a polarized wall outlet. This plug will only fit into the polarized outlet one way. If the plug does not fit into the outlet properly, reverse the plug. If the plug still does not fit, contact a qualified electrician to install a proper outlet. Do not alter the lawn mower's plug, the receptacle on the extension cord, or the plug on the extension cord in any way.
- Household circuit: This mower is designed to operate on a 15 A circuit. If the mower has difficulty starting when connected to a circuit that contains a standard 15 A fuse or circuit breaker, call the service center. Do not use a fuse or circuit breaker with higher rating than that specified for your particular branch circuit.
- Do not abuse the cord by pulling the mower by the cord or yanking on the cord in order to disconnect it from the outlet. Keep the cord away from heat, oil, and sharp edges.
- Many injuries occur as a result of the mower being pulled over the operator's foot during a fall caused by slipping or tripping. Do not operate this mower in bare feet, or while wearing sandals or lightweight (e.g.: canvas) shoes. Do not hold on to the mower if you are falling. Release the handle immediately.
- Never pull the mower back toward you while you are walking. If you must back the mower away from a wall or an obstruction, first look down and behind in order to avoid tripping, and then follow these steps:
  - Step back from the mower in order to fully extend your arms.
  - Be sure that you are well balanced.
  - Pull the mower back slowly.
  - Repeat these steps as necessary.
- Do not use mower for any job except that for which it is intended. Do not force the mower.
- Do not operate the mower while under the influence of alcohol or drugs.
- Stay Alert: Do not operate the mower when you are tired. Pay attention to what you are doing. Use common sense.
- Do not put hands or feet near rotating parts or under the cutting deck. Contact with the blade can amputate hands and feet.
- Do not attempt to adjust the wheels or the cutting height while the motor is running.
- Avoid dangerous environments. Do not operate the mower in the rain or in wet or damp grass.
- Mow only in daylight or in good artificial light. Do not rush a mowing job.
- Stop the blade when crossing gravel driveways, walkways, or roads.
- If the mower starts to vibrate abnormally, stop the motor, unplug the power source and check for the cause immediately. Vibration is generally a sign that the mower is not working properly or needs repair.
- Stop the motor and wait until the blade comes to a complete stop before removing the grass catcher or unlogging the chute. The cutting blade will continue to rotate for a few seconds after the motor is shut off. Do not place any part of your body in the blade area until you are sure that the blade has stopped rotating.
- Never operate the mower without a proper trail shield, discharge cover, grass catcher, switch control, or other safety protective devices in place and in working order. Do not operate the mower with a damaged safety devices. Doing so can result in injury.
- To reduce the risk of injury to persons, do not operate without grass catcher or guards in place.
- To reduce the risk of injury, inspect catcher assembly frequently and replace with recommended replacement if there are signs of wear or deterioration. Any replacement assembly should be checked for compliance with the original manufacturer's recommendations or specifications.
- Don't Overreach – Keep proper footing and balance at all times.
- Disconnect Lawn Mower – Disconnect the lawn mower from the power supply when not in use, before servicing, when changing accessories such as blades, and the like.
- If lawn mower strikes a foreign object, follow these steps:
  - Stop lawn mower. Release the switch.
  - Unplug power cord.
  - Inspect for damage.
  - Repair any damage before restarting and operating the lawn mower.
- Use identical replacement blades only.
- Store indoors, and do not expose to rain or water, avoid direct sunshine.

## 2.2 SLOPE OPERATION

Slopes are a major factor related to slip-and-fall accidents, which can result in severe injury. Operation

on slopes requires extra caution. If you feel uneasy on a slope, do not mow it.

Do:

- Mow across the face of slopes; never mow up and down. Exercise extreme caution when changing direction on slopes.
- Watch for holes, ruts, rocks, hidden objects, or bumps which can cause you to slip or trip. Tall grass can hide obstacles.

Do not:

- Mow excessively steep slopes.
- Mow near drop-offs, ditches or embankments; you could lose your footing or balance.
- Mow slopes greater than 15 degrees.
- Mow on wet grass. Unstable footing could cause slipping.

## 2.3 CHILDREN AND BYSTANDERS

Tragic accidents can occur if the operator is not alert to the presence of children or bystanders.

- Keep the area of operation clear of all persons, particularly small children, and pets.
- Use extreme care when approaching blind corners, doorways, shrubs, trees, or other objects that may obscure your vision of a child or bystander. Keep children, bystanders, helpers and pets at least 100 feet (30m) from the mower while it is in operation. Stop the machine if anyone enters the area.
- Never allow children under 14 years old to operate a power mower. Operators 14 years old and over should fully read and understand the operator's manual and safety rules. Only responsible individuals who are familiar with these rules of safe operation should be allowed to use this machine.

## 2.4 SERVICE

- When servicing the mower, use only replacement parts that are listed in this manual. The use of parts that do not meet the original equipment specifications may lead to improper performance, and may compromise safety.
- Before cleaning, repairing, or inspecting, verify that the blade and all moving parts have come to a complete stop. In order to prevent accidental start-ups, disconnect the power cord when the mower is not in use.
- Follow the instructions for lubricating and changing accessories.
- Inspect the lawn mower's power cord and extension cords regularly, and replace them immediately if they are damaged. In order to obtain replacement parts, call the service center.

- Keep the handles dry, clean, and free of oil and grease.
- In order to reduce the risk of fire, keep the motor free of grass, leaves, and debris build-up.
- Check the blade and the motor mounting bolts for proper tightness frequently. Visually inspect blade for damage (e.g., bent, cracked, or worn).
- For best and safest performance, maintain the mower with care. Keep the mower blade sharp and clean. Mower blades are sharp, and can cut. Wrap the blades or wear gloves, and use extra caution when servicing.
- Keep all nuts, bolts, and screws tight in order to be sure that the mower is in safe working condition.
- Do not tamper with safety devices. Check them regularly for proper operation.
- After striking a foreign object, stop the motor and disconnect the power cord. Thoroughly inspect the mower for any damage. Repair any damage before operating the mower.
- The grass catcher components, discharge cover, and trail shield are subject to wear and damage, which could expose moving parts or allow objects to be thrown. As a safety precaution, check the components frequently and immediately replace any parts that show signs of wear, or that are cracked or broken. Use original equipment manufacturer's (OEM) parts only, as listed in this manual.
- When it is not in use, store the mower indoors in a dry area, locked up or out of the reach of children.

## 2.5 DOUBLE INSULATED LAWN MOWER

- Double insulation eliminates the need for the usual three-wire grounded power cord and grounded power supply system. Wherever there is electric current in the mower, there are two complete sets of insulation to protect the user. All exposed metal parts are isolated from the internal metal motor components by protecting insulation.

### **i** IMPORTANT

Servicing a lawn mower with double insulation requires extreme care and knowledge of the system, and should only be performed by a qualified service technician. If repairs are required, call the service center. Always use original factory replacement parts when servicing.

### **▲** WARNING

IT IS YOUR RESPONSIBILITY! To restrict the use of this mower to people who have read and understand the warnings and instructions that appear in this manual and on the mower and who will follow them.

### 3 ELECTRICAL

#### ▲ WARNING

The double insulated system is intended to protect the user from shock resulting from a break in the tool's internal insulation. Observe all normal safety precautions to avoid electrical shock.

#### Electrical connection

This product has a precision-built electric motor. It should be connected to a power supply that is 120 V, AC only (normal household current), 60 Hz. Do not operate this product on direct current (DC). A substantial voltage drop will cause a loss of power and the motor will overheat. If the product does not operate when plugged into an outlet, double-check the power supply.

#### Extension cords

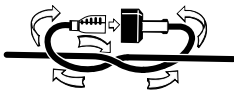
When using a power tool at a considerable distance from a power source, be sure to use an extension cord that has the capacity to handle the current the product will draw. An undersized cord will cause a drop in line voltage, resulting in overheating and loss of power. Use the chart to determine the minimum wire size required in an extension cord. Only round jacketed cords listed by Underwriter's Laboratories (UL) should be used.

When working outdoors with a product, use an extension cord that is designed for outside use. This type of cord is designated with "W-A" or "W" on the cord's jacket.

Before using any extension cord, inspect it for loose or exposed wires and cut or worn insulation.

A proper extension cord is available at an authorized service center.

It is possible to tie the extension cord and power cord in a knot to prevent them from becoming disconnected during use. Make the knot as shown in the figure, then connect the plug end of the power cord into the receptacle end of the extension cord. This method can also be used to tie two extension cords together.



#### Minimum Gauge for Extension Cords (AWG)

(when using 120 V only)

**Amp Rating**      **Total Length of Cord in Feet (meters)**

More Than	Not More Than	25' (7.6 m)	50' (15 m)	100' (30 m)	150' (45m)
-----------	---------------	-------------	------------	-------------	------------

0	6	18	16	16	14
6	10	18	16	14	12
10	12	16	16	14	12
12	16	14	12	Not Recommended	








Keep the extension cord clear of the working area. Position the cord so that it will not get caught on lumber, tools, or other obstructions while you are working with a power tool. Failure to do so can result in serious personal injury.

Check extension cords before each use. If damaged replace immediately. Never use the product with a damaged cord since touching the damaged area could cause electrical shock resulting in serious injury.

### 4 SYMBOLS ON THE PRODUCT




Some of the following symbols may be used on this tool. Please study them and learn their meaning. Proper interpretation of these symbols will allow you to operate the tool better and safer.

Symbol	Name	Explanation
V	Volt	Voltage
A	Amperes	Current
Hz	Hertz	Frequency (cycles per second)
W	Watt	Power
min	Minutes	Time
/min	Per Minute	Revolutions, strokes, surface speed, orbits etc., per minute
~	Alternating Current	Type of current
≡	Direct Current	Type or a characteristic of current
n <sub>0</sub>	No Load Speed	Rational speed, at no load
⚠	Safety Alert	Precautions that involve your safety.
👁	Eye Protection	Always wear eye protection with side shields marked to comply with ANSI Z87.1 when operating this equipment.
🚫	WARNING --- Wet Conditions	Do not expose the product to rain or moist conditions.

Symbol	Name	Explanation
	Read Operator's Manual	To reduce the risk of injury, user must read and understand operator's manual before using this product.
	Maintain Safety Devices	Do not open or remove safety devices while the tool is running.
	Looking Behind While Backing	Look down and behind first to avoid tripping when pulling back.
	DANGER --- Keep Hands and Feet Away	To reduce the risk of injury, keep hands and feet away from rotating parts. Do not operate unless discharge cover or grass bag is in its proper place. If damaged, replace immediately.
	DANGER --- Keep Bystanders Away	Do not mow when children or others are nearby.
	DANGER --- Thrown Debris	Remove objects that can be thrown by the blade in any direction. Wear safety glasses.
	DANGER --- Steep Slope Hazard	Use extra caution on slopes. do not mow slopes greater than 15 degrees.

## 5 RISK LEVELS

The following signal words and meanings are intended to explain the levels of risk associated with this product.

SYM-BOL	SIGNAL	MEANING
	DANGER	Indicates an imminently hazardous situation, which, if not avoided, will result in death or serious injury.
	WARNING	Indicates a potentially hazardous situation, which, if not avoided, could result in death or serious injury.
	CAUTION	Indicates a potentially hazardous situation, which, if not avoided, may result in minor or moderate injury.

SYM-BOL	SIGNAL	MEANING
	CAUTION	(Without Safety Alert Symbol) Indicates a situation that may result in property damage.

## 6 PROPOSITION 65

### ▲ WARNING

This product contains a chemical known to the state of California to cause cancer, birth defects or other reproductive harm. Some dust created by power sanding, sawing, grinding, drilling, and other construction activities contains chemicals known to cause cancer, birth defects or other reproductive harm. Some examples of these chemicals are:

- Lead from lead-based paints;
- Crystalline silica from bricks and cement and other masonry products;
- Arsenic and chromium from chemically treated lumber.

Your risk of exposure to these chemicals varies depending on how often you do this type of work. To reduce your exposure to these chemicals, work in a well-ventilated area, and work with approved safety equipment, such as dust masks that are specially designed to filter out microscopic particles.

Save these instructions.

## 7 INSTALLATION

### ▲ WARNING

Do not change or make accessories that are not recommended by the manufacturer.

### ▲ WARNING

Do not connect the machine to the power supply until you assemble all the parts.

### 7.1 UNPACK THE MACHINE

#### ▲ WARNING

Make sure that you correctly assemble the machine before use.

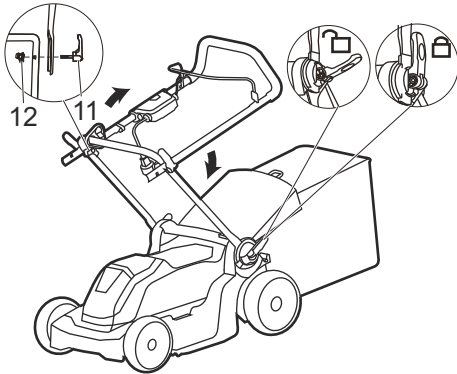
#### ▲ WARNING

- If the parts have damage, do not use the machine.
- If you do not have all the parts, do not operate the machine.
- If the parts are damaged or missing, speak to the service center.



1. Open the package.
2. Read the documentation in the box.
3. Remove all the unassembled parts from the box.
4. Remove the machine from the box.
5. Discard the box and package in compliance with local regulations.

## 7.2 UNFOLD AND ADJUST THE HANDLE



1. Pull up and back the upper handle to lift the handle into operation position. Make sure that the handles click into position correctly.
2. Tighten the lower handle with the quick-release levers (10) on the two sides.
3. Tighten the upper handle with the cam locks (11) and knobs (12) on the two sides.

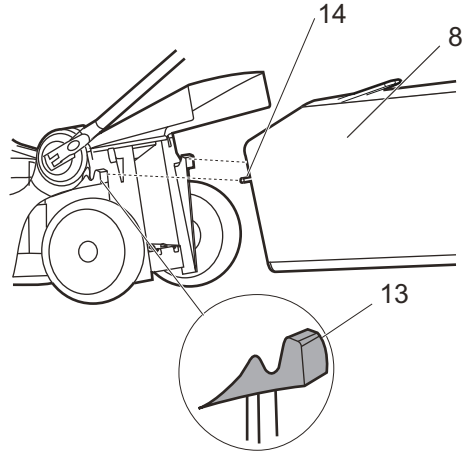
### **i** NOTE

Make sure that the two handles are in the same position.

### **▲** WARNING

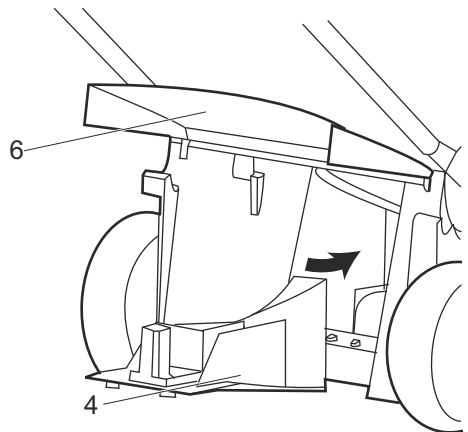
Do not make damage to the cables when you fold or unfold the handle.

## 7.3 INSTALL THE GRASS CATCHER



1. Remove the mulch plug.
2. Open the rear discharge door and hold it.
3. Hold the the grass catcher (8) by its handle and engage the hooks (14) on the slots (13).
4. Close the rear discharge door.

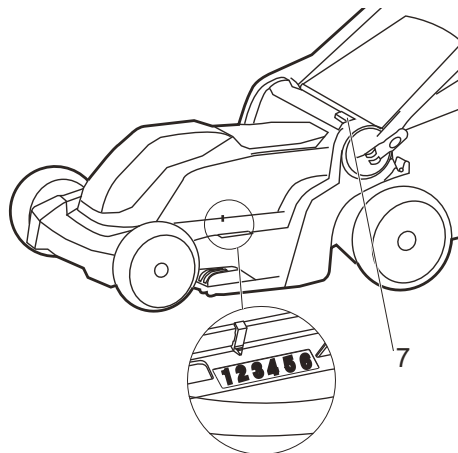
## 7.4 INSTALL THE MULCH PLUG



1. Remove the grass catcher.
2. Open the rear discharge door (6) and hold it.
3. Hold the mulch plug (4) by its handle and fit it in the discharge chute.
4. Close the rear discharge door.

## 7.5 SET THE BLADE HEIGHT

The machine can be set to different blade heights.



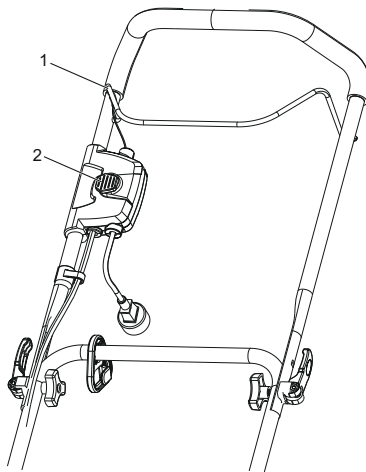
1. Push the height adjustment button (7), move the height adjust gear to a higher position to increase the blade height.
2. Push the height adjustment button, move the height adjust gear to a lower position to decrease the blade height.

## 8 OPERATION

### ▲ WARNING

Wear eye protection during operation.

## 8.1 START THE MACHINE



1. Connect the machine into an approved outdoor extension cable.
2. Push and hold the start button (2).
3. While you hold the start button, pull the bail switch (1) in the direction of the handle bar.
4. Release the start button to start the machine.

## 8.2 STOP THE MACHINE

1. Release the bail switch to stop the machine.

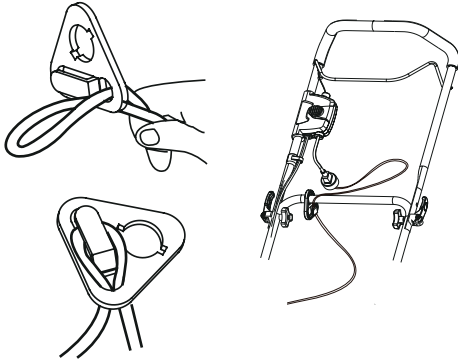
### ▲ WARNING

Wait until the blades fully stop before you start the machine again. Do not quickly turn the machine off and on.

### ▲ WARNING

Always disconnect from the power supply after you complete the work.

### 8.3 USE THE CORD RETAINER



In the condition that the extension cable disconnects from the power supply during operation, the machine contains a cord retainer. The cord retainer hangs from the cord guide bar.

#### **i** NOTE

Make a loop of the extension cable around the cord retainer before we connect the extension cable into the outlet.

To use the cord retainer:

1. Make a tight loop near the cord retainer.
2. Push the loop through the bottom hole in the cord retainer.
3. Move the loop over the retaining clip, and pull down until the cable attaches to the cord retainer.

### 8.4 EMPTY THE GRASS CATCHER

1. Stop the machine.
2. Disconnect the machine from the power supply.
3. Open the rear discharge door and hold it.
4. Hold the grass catcher by its handle and unhook it from the slots.
5. Close the rear discharge door.
6. Empty the grass catcher.

### 8.5 OPERATE ON SLOPES

#### **▲** WARNING

Do not mow on the slopes with incline more than 15°. If you are not comfortable, do not mow on a slope.

- Do not go up and down on a slope, mow across the face of the slope. Be careful when you change the direction on a slope.

- Monitor the holes, ruts, rocks, and other hidden objects that can cause you to fall. Remove all obstacles such as rocks and tree limbs.
- Make sure that your footing is stable. If you are out of balance, release the bail switch immediately.
- Do not mow near drop-offs, ditches, or embankments.

### 8.6 OPERATION TIPS

- Do not try to override the operation of the start button or bail switch.
- Do not tilt the machine when you start it.
- Do not put hands or feet near or below the turning parts.
- Keep the discharge chute clean.
- Do not cut wet grass.
- Higher blade height is necessary for new or thick grass.
- Clean the bottom of the mower deck after each use. Remove grass clippings, leaves, dirt, and other debris.

## 9 MAINTENANCE

#### **▲** WARNING

Disconnect the machine from power supply before maintenance.

#### **▲** WARNING

Keep the engine free from grass, leaves or too much grease.

#### **▲** CAUTION

Use only approved replacement parts.

#### **▲** CAUTION

Do not let brake fluids, gasoline, petroleum-based materials touch the plastic parts. Chemicals can cause damage to the plastic, and make the plastic unserviceable.

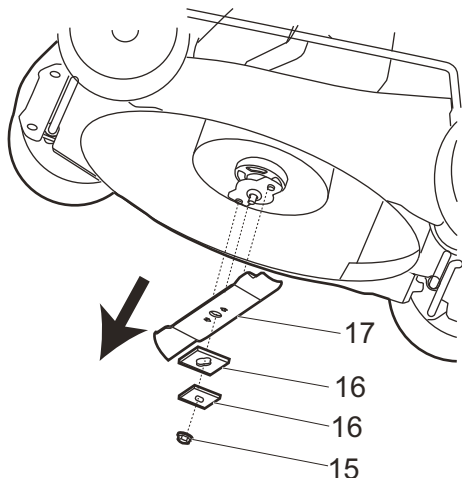
#### **▲** CAUTION

Do not use strong solvents or detergents on the plastic housing or components.

### 9.1 GENERAL MAINTENANCE

- Before each use, examine the machine for damaged, missing, or loose parts such as screws, nuts, bolts and caps.
- Tighten correctly all the fasteners and caps.
- Clean the machine with a dry cloth. Do not use water.

## 9.2 REPLACE THE BLADE



### ▲ WARNING

Use only approved replacement blades.

### ▲ WARNING

Wear heavy gloves or wind cloth around the blade when you touch the blade.

1. Stop the machine.
2. Make sure that the blade fully stops.
3. Disconnect the machine from the power supply.
4. Turn the machine to its side.
5. Use a piece of wood to prevent the movement of the blade.
6. Remove the blade nut (15) and spacers (16) with a wrench or socket.
7. Remove the blade (17).
8. Install the new blade. Make sure that the raised points engage the holes in the blade.
9. Put in the blade nut and spacers and tighten them.

## 9.3 STORE THE MACHINE

- Clean the machine before storage.
- Make sure the motor is not hot when you store the machine.
- Make sure that the machine does not have loose or damaged parts. If it is necessary, do these steps/instructions:
  - Replace the damaged parts.
  - Tighten the bolts.

- Speak to a person at an approved service center.
- Store the machine in a dry area.
- Make sure that children cannot come near the machine.


## 10 TROUBLESHOOTING

Problem	Possible cause	Solution
The handle is not in position.	The bolts are not engaged correctly.	Adjust the height of the handle and make sure that the knobs and bolts are aligned correctly.
The machine does not start.	The extension cable is not connected to the outlet.	Reconnect the cable.
	The extension cable is not connected to the power supply.	Connect the extension cable to a live 120V AC, 60 HZ AC receptacle.
	The bail switch is defective.	Replace the bail switch.
The machine cuts grass unevenly.	The lawn is rough.	Examine the mowing area.
	The blade height is not set correctly.	Move the wheels to a higher position.
The machine does not mulch correctly.	Wet grass clippings attach to the deck.	Wait until the grass dries before mowing.
	The mulch plug is missing.	Install the mulch plug.
The machine is hard to push.	The grass is too tall, or the blade height is too low.	Increase the blade height.
	The grass catcher and the blade drags in thick grass.	Empty the grass clippings from the grass catcher.

Problem	Possible cause	Solution
There is a high vibration in the machine.	The blade is unbalanced and worn.	Replace the blade.
	The engine shaft is bent.	<ol style="list-style-type: none"> <li>1. Stop the engine.</li> <li>2. Disconnect the power supply.</li> <li>3. Inspect for damage.</li> <li>4. Repair the machine before you start it again.</li> </ol>
The machine stops during mowing.	The blade height is too low.	Increase the blade height.
	The grass clippings attach to the deck or the blade.	Disconnect the power supply and check the deck.
	Operation temperature of the machine is too high.	Cool the machine.

\* If you cannot find the solution to these problems, go to the service center.

## 11 TECHNICAL DATA

Motor	120 V AC, 60 Hz, 10 A
No load speed	4000 RPM
Cutting deck width	17"
Height adjustments	1 1/8 - 3 1/8" (30 - 80 mm)
Functions	2-in-1 Mulching / Rear bag
Weight	42 lbs (19 kg)
Double-insulated construction	

## 12 LIMITED WARRANTY



Greenworks hereby warrants this product, to the original purchaser with proof of purchase, for a period of three (3) years against defects in materials, parts or workmanship. Greenworks, at its own discretion will repair or replace any and all parts found to be defective, through normal use, free of charge to the customer. This warranty is valid only for units which have been used for personal use that have not been hired or rented for industrial/commercial use, and that have been maintained in accordance with the instructions in the owners' manual supplied with the product from new.

### ITEMS NOT COVERED BY WARRANTY:

1. Any part that has become inoperative due to misuse, commercial use, abuse, neglect, accident, improper maintenance, or alteration; or
2. The unit, if it has not been operated and/or maintained in accordance with the owner's manual; or
3. Normal wear, except as noted below;
4. Routine maintenance items such as lubricants, blade sharpening;
5. Normal deterioration of the exterior finish due to use or exposure.

### HELPLINE:

Warranty service is available by calling our toll-free helpline, at 1-888-909-6757.

### TRANSPORTATION CHARGES:

Transportation charges for the movement of any power equipment unit or attachment are the responsibility of the purchaser. It is the purchaser's responsibility to pay transportation charges for any part submitted for replacement under this warranty unless such return is requested in writing by Greenworks.

#### USA address:

Greenworks Tools

P.O. Box 1238

Mooresville, NC 28115

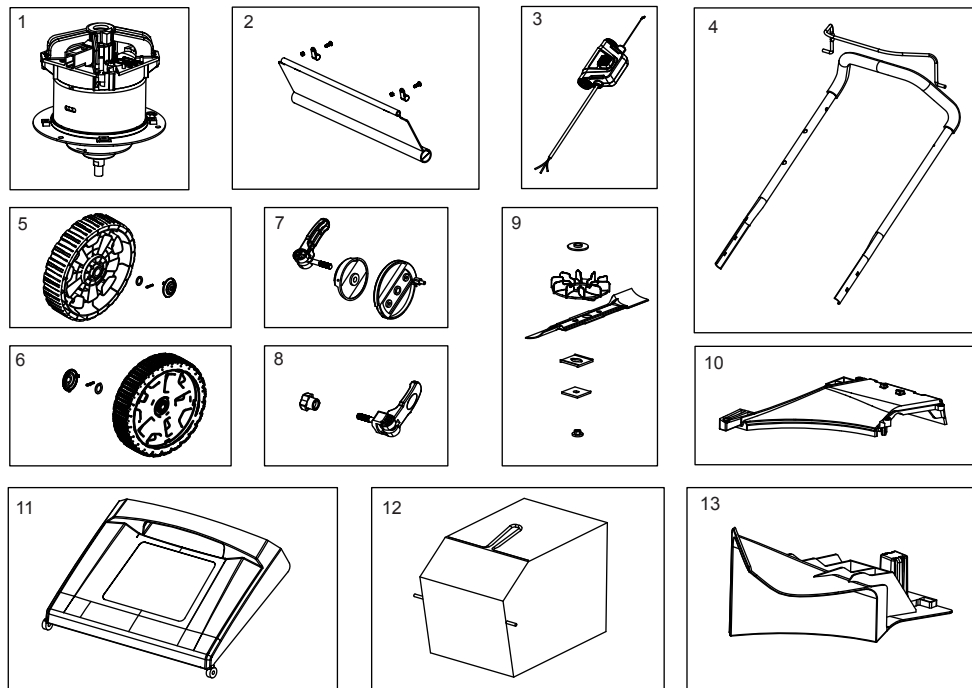
#### Canadian address:

Greenworks Tools Canada Inc.

1110 Stellar Drive Unit 102

Newmarket, ON, L3Y 7B7

## 13 EXPLODED VIEW



No.	Part No.	Description	Qty.
1	R0204538-00	Motor	1
2	R0204537-00	Rear Flap Assembly	1
3	R0204539-00	Switch Box Assembly	1
4	R0204540-00	Upper Push Handle Assembly	1
5	R0100555-00	Front Wheel Assembly	2
6	R0204541-00	Rear Wheel Assembly	2
7	R0202445-00	Quick Clamping Assembly	1
8	R0102630-00	Quick Clamping Handle Assembly	2
9	R0204542-00	Blade/Bar Assembly	1
10	R0204543-00	Rear Cowl	1
11	R0204544-00	Rear Cover	1
12	R0202443-00	Catcher bag	1
13	R0300443-00	Rear Plug	1