
greenworks

21" Electric Lawn Mower 25112



Owner's Manual

TOLL-FREE HELPLINE: 1-888-90WORKS (888.909.6757)

www.GreenWorksTools.com

 Read all safety rules and instructions carefully before operating this tool.

CONTENTS

| | |
|-----------------------------|-------|
| Contents | 2 |
| Product specifications..... | 2 |
| Safety information..... | 3-7 |
| Symbols | 8-9 |
| Know your lawn mower | 10 |
| Assembly | 11-15 |
| Operation..... | 16-21 |
| Maintenance | 22-23 |
| Troubleshooting | 24 |
| Warranty | 25 |
| Exploded View..... | 26 |
| Parts List..... | 27-28 |

PRODUCT SPECIFICATIONS

21" ELECTRIC LAWN MOWER

| | |
|-------------------------|---|
| Motor | 120 V AC, 60 Hz, 13 A |
| No-load speed | 3600±180 RPM |
| Height adjustments..... | 1 3/4—3 3/4" (4.5 -9.5 cm) |
| Functions..... | 3-in-1: Mulch, side discharge or rear bag |
| Weight | 55 lbs (24.8 kg) |



SAFETY INFORMATION

GENERAL OPERATION

- Carefully read all instructions on the mower and in the manual before attempting to assemble and operate the mower. Keep this manual in a safe place for future reference, and consult it regularly.
- Become familiar with all controls and their proper operation. Know how to stop the mower and how to disengage the power in an emergency.
- Do not allow children under the age of 14 to operate this mower. Children who are 14 years of age and older must read and understand the operating instructions and the safety rules in this manual, and must be trained and supervised by a parent.
- Do not allow anyone to operate this mower until they have read and understand the instructions.
- In order to avoid contact with the blade or injury caused by a thrown object, stay in the operator's zone behind the handles, and keep children and bystanders at least 50' (15 m) away from the mower while it is in operation. Stop the motor immediately if someone enters the mowing area.
- Thoroughly inspect the area where the equipment is to be used. Remove all stones, sticks, wire, bones, toys, and other foreign objects that could be tripped over or thrown by the blade. Thrown objects can cause serious personal injury.
- Plan your mowing pattern in such a way as to avoid discharging material toward roads, sidewalks, bystanders, etc. Do not discharge material against a wall or obstruction. Doing so may cause the discharged material to ricochet back toward the operator.
- Always wear proper eye protection in order to protect your eyes while operating or performing any adjustment or repair. Thrown objects that ricochet can cause serious eye injury.
- Always wear a face mask or a dust mask when operating the mower in a dusty environment.
- Dress properly. Do not wear loose clothing or jewellery that can get caught in moving parts. The wearing of protective gloves and safety footwear is recommended.
- As an added safety measure, Ground Fault Circuit Interrupter (GFCI) protection should be provided on the circuit(s) or outlet(s) that will be used to power the lawn mower.
- In order to prevent electric shock, use this mower only with a CSA/CUL listed extension cord that is approved for outdoor use, such as Type SW-A, SOW-A, STW-A, STOW-A, SJW-A, SJOW-A, SJTW-A, or SJTOW-A.
- Extension Cord: Verify that the extension cord is in good condition, is heavy enough to carry the current that your mower will draw, and is polarized (one blade of the plug is wider than the other). A 50' (15 m) extension cord should be of 16 AWG, a 100' (30 m) extension cord should be 14 AWG, and a 150' (45 m) extension cord should be 12 AWG. Undersized cords cause a drop in the line voltage, which leads to a loss of power and overheating.
- In order to reduce the risk of electric shock, this lawn mower is equipped with a polarized plug (one blade is wider than the other), and must be used with a polarized extension cord. The lawn mower's plug will only fit into the polarized extension cord one way. If the plug does not fit into the extension cord properly, reverse the plug. If the plug still does not fit, obtain a proper polarized extension cord. A polarized extension cord must be plugged into a polarized wall outlet. This plug will only fit into the polarized outlet one way. If the plug does not fit into the outlet properly, reverse the plug. If the plug still does not fit, contact a qualified electrician to install a proper outlet. Do not alter the lawn mower's plug, the receptacle on the extension cord, or the plug on the extension cord in any way.

SAFETY INFORMATION

- Household circuit: This mower is designed to operate on a 15 A circuit. If the mower has difficulty starting when connected to a circuit that contains a standard 15 A fuse or circuit breaker, call the toll-free helpline (1-888-909-6757). Do not use a fuse or circuit breaker with higher rating than that specified for your particular branch circuit.
- Do not abuse the cord by pulling the mower by the cord or yanking on the cord in order to disconnect it from the outlet. Keep the cord away from heat, oil, and sharp edges.
- Many injuries occur as a result of the mower being pulled over the operator's foot during a fall caused by slipping or tripping. Do not operate this mower in bare feet, or while wearing sandals or lightweight (e.g.: canvas) shoes. Do not hold on to the mower if you are falling. Release the handle immediately.
- Never pull the mower back toward you while you are walking. If you must back the mower away from a wall or an obstruction, first look down and behind in order to avoid tripping, and then follow these steps:
 - Step back from the mower in order to fully extend your arms.
 - Be sure that you are well balanced.
 - Pull the mower back slowly.
 - Repeat these steps as necessary.
- Do not use mower for any job except that for which it is intended. Do not force the mower.
- Do not operate the mower while under the influence of alcohol or drugs.
- Stay Alert: Do not operate the mower when you are tired. Pay attention to what you are doing. Use common sense.
- Do not put hands or feet near rotating parts or under the cutting deck. Contact with the blade can ampu tate hands and feet.
- Do not attempt to adjust the wheels or the cutting height while the motor is running.
- Avoid dangerous environments. Do not operate the mower in the rain or in wet or damp grass.
- Mow only in daylight or in good artificial light. Do not rush a mowing job.
- Stop the blade when crossing gravel driveways, walkways, or roads.
- If the mower starts to vibrate abnormally, stop the motor and check for the cause immediately. Vibration is generally a warning of trouble.
- Stop the motor and wait until the blade comes to a complete stop before removing the grass catcher or unclogging the chute. The cutting blade will continue to rotate for a few seconds after the motor is shut off. Do not place any part of your body in the blade area until you are sure that the blade has stopped rotating.
- Never operate the mower without a proper trail shield, discharge cover, grass catcher, switch control, or other safety protective devices in place and in working order. Do not operate the mower with damaged safety devices. Doing so can result in injury.

OPERATING ON A SLOPE

Slopes are a major factor related to accidents involving slips and falls, which can result in severe injury. Operating the mower on a slope requires extra caution. If you feel uneasy on a slope, do not mow it. For your safety, use the slope gauge that is included as part of this manual to measure slopes before operating this mower on a sloped or hilly area. Do not mow a slope that has an angle of greater than 15°.

SAFETY INFORMATION

- Mow across the face of a slope, and never up and down. Exercise extreme caution when changing direction on a slope.
- Watch for holes, ruts, rocks, hidden objects, or bumps that may cause a slip or a trip. Tall grass can hide obstacles. Remove all objects such as rocks, tree limbs, etc., that can be tripped over or thrown by the blade.
- Always be sure of your footing. If you feel like you are losing your balance, release the switch handle immediately. The blade will stop rotating within 3 seconds.
- Do not mow near drop-offs, ditches, or embankments, because you could lose your footing or balance.
- Do not mow a slope that has an angle of greater than 15°, as determined using the slope gauge.
- Do not mow wet or damp grass. Unstable footing can cause slipping.

CHILDREN

- Tragic accidents can occur if the operator is not aware of the presence of children. Keep children out of the mowing area and under the watchful care of a responsible adult. Stay alert, and turn the mower off if a child enters the mowing area. Look behind and down for small children before and while moving back wards. Use extreme care when approaching blind corners, doorways, shrubs, trees, or other objects that may obscure your view of a child who may run into the path of the mower.
- Do not allow children under the age of 14 to operate this mower. Children who are 14 years of age and older must read and understand the operating instructions and safety rules in this manual, and must be trained and supervised by a parent.

SERVICE

- When servicing the mower, use only replacement parts that are listed in this manual. The use of parts that do not meet the original equipment specifications may lead to improper performance, and may compromise safety.
- Before cleaning, repairing, or inspecting, verify that the blade and all moving parts have come to a complete stop. In order to prevent accidental start-ups, disconnect the power cord when the mower is not in use.
- Follow the instructions for lubricating and changing accessories.
- Inspect the lawn mower's power cord and extension cords regularly, and replace them immediately if they are damaged. In order to obtain replacement parts, call the toll-free helpline, at 1-888-909-6757.
- Keep the handles dry, clean, and free of oil and grease.
- In order to reduce the risk of fire, keep the motor free of grass, leaves, and debris build-up.
- Check the blade and the motor mounting bolts for proper tightness frequently. Visually inspect blade for damage (e.g., bent, cracked, or worn).
- For best and safest performance, maintain the mower with care. Keep the mower blade sharp and clean. Mower blades are sharp, and can cut. Wrap the blades or wear gloves, and use extra caution when servicing.
- Keep all nuts, bolts, and screws tight in order to be sure that the mower is in safe working condition.

SAFETY INFORMATION

- Do not tamper with safety devices. Check them regularly for proper operation.
- After striking a foreign object, stop the motor and disconnect the power cord. Thoroughly inspect the mower for any damage. Repair any damage before operating the mower.
- The grass catcher components, discharge cover, and trail shield are subject to wear and damage, which could expose moving parts or allow objects to be thrown. As a safety precaution, check the components frequently and immediately replace any parts that show signs of wear, or that are cracked or broken. Use original equipment manufacturer's (OEM) parts only, as listed in this manual.
- When it is not in use, store the mower indoors in a dry area, locked up or out of the reach of children.

DOUBLE INSULATED LAWN MOWER

Double insulation eliminates the need for the usual three-wire grounded power cord and grounded power supply system. Wherever there is electric current in the mower, there are two complete sets of insulation to protect the user. All exposed metal parts are isolated from the internal metal motor components by protecting insulation.

I M P O R T A N T

Servicing a lawn mower with double insulation requires extreme care and knowledge of the system, and should only be performed by a qualified service technician. If repairs are required, call the toll-free helpline, at 1-888-909-6757. Always use original factory replacement parts when servicing.

W A R N I N G

IT IS YOUR RESPONSIBILITY!

To restrict the use of this mower to people who have read and understand the warnings and instructions that appear in this manual and on the mower and who will follow them.



D A N G E R

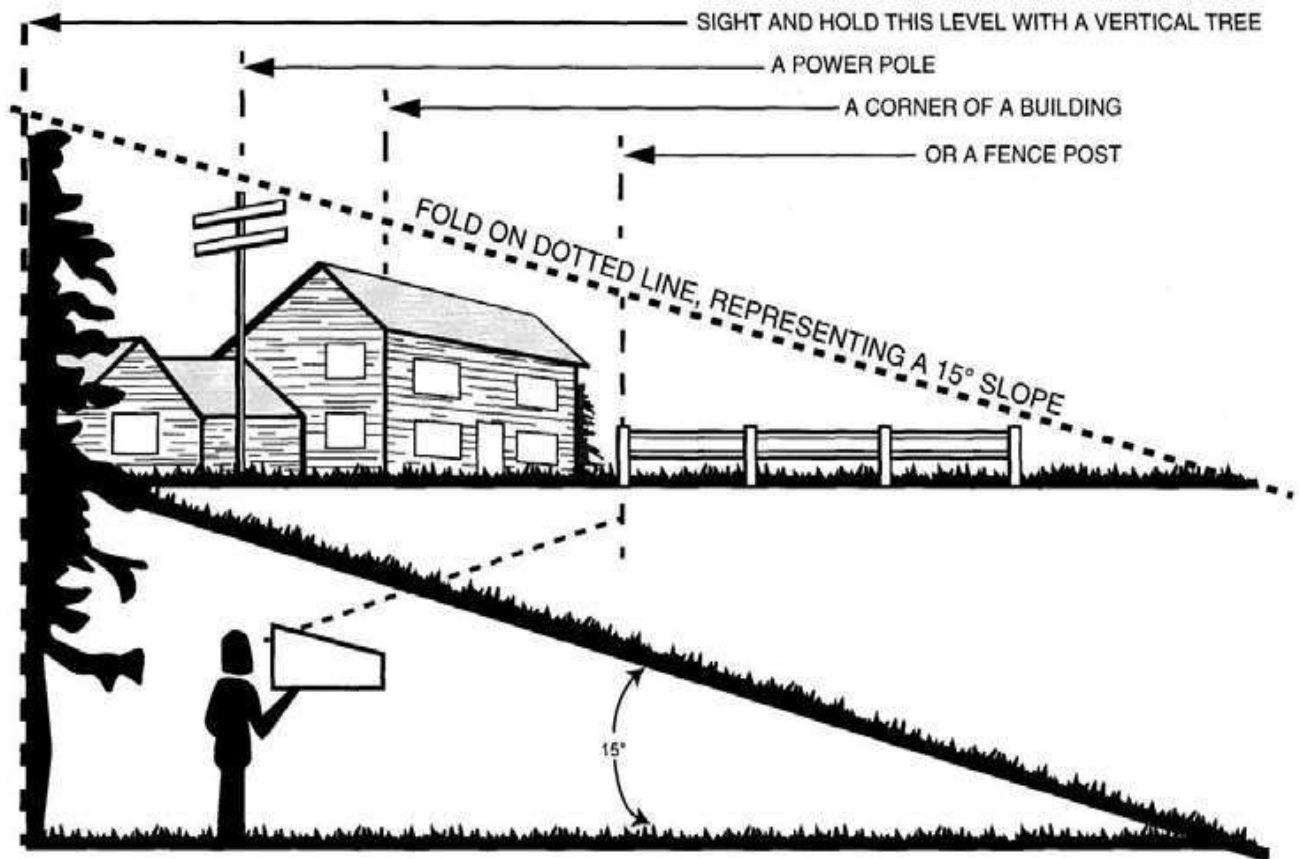
AVOID SERIOUS INJURY OR DEATH

- To reduce risk of injury, user must read and understand operator's manual.
- To reduce the risk of electric shock, do not expose to water, do not use in rain.
- Replace damaged cord immediately.
- Disconnect from supply circuit before servicing, opening or removing blade.
- Do not mow when children and others are around.
- Remove object that could be thrown by the blade.
- Go across slopes, not up and down.
- Keep safety devices(guards, shields, switches ETC.) in place and working.
- Look down and behind before and while moving backwards.

SAFETY INFORMATION

SLOPE GAUGE

- Use this page as a guide in order to identify slopes that cannot be mowed safely.
- DO NOT USE the lawn mower on these slopes.
- SIGHT AND HOLD THIS EDGE LEVEL WITH A VERTICAL TREE.
- FOLD ON THE DOTTED LINE. THIS REPRESENTS A SLOPE OF 15°.












⚠ WARNING

Do not mow a slope that has an angle greater than 15° (a rise of approximately 2 1/2' [0.75 m] every 10' [3 m]). Mow across the face of a slope, and never up and down.

SYMBOLS

Some of the following symbols may be used on this product. Please study them and learn their meaning. Proper interpretation of these symbols will allow you to operate the product better and safer.

| SYMBOL | DESIGNATION/EXPLANATION |
|---|--|
| V | Volts |
| A | Amperes |
| Hz | Hertz |
| W | Watts |
| Hrs | Hours |
|  | Precautions that involve your safety. |
|  | To reduce the risk of injury, user must read and understand user's manual before using this product. |
|  | Do not expose machine to rain or wet conditions. |
|  | Pay attention that bystanders are not injured through foreign objects thrown from the mower. |
|  | Keep all bystanders (especially children and pets) at least 15 m away from the work area. |
|  | Keep hands and feet away from blade and cutting area. |
|  | Do not operate on inclines greater than 15°. Mow across the face of slopes, never up and down. |
|  | Beware of electric shock hazard. |
|  | Wait for all components of machine to have completely stopped before touching them. |




SERVICE

Servicing requires extreme care and knowledge and should be performed only by a qualified service technician. For service we suggest you return the product to your nearest **AUTHORIZED SERVICE CENTER** for repair. When servicing, use only identical replacement parts.

SAVE THESE INSTRUCTIONS

SYMBOLS

The following signal words and meanings are intended to explain the levels of risk associated with this product.

| SYMBOL | SIGNAL | MEANING |
|---|----------------|--|
|  | DANGER | Indicates an imminently hazardous situation, which, if not avoided, will result in death or serious injury. |
|  | WARNING | Indicates a potentially hazardous situation, which, if not avoided, could result in death or serious injury. |
|  | CAUTION | Indicates a potentially hazardous situation, which, if not avoided, may result in minor or moderate injury. |
| | CAUTION | (Without Safety Alert Symbol) Indicates a situation that may result in property damage. |

W A R N I N G

To avoid serious personal injury, do not attempt to use this product until you have read this Owner's Manual thoroughly and understand it completely. If you do not understand the warnings and instructions in this Owner's Manual, do not use this product. Call the Toll-free Helpline (1-888-909-6757) for assistance.

W A R N I N G



The operation of any power tool can result in foreign objects being thrown into your eyes, which can result in severe eye damage. Before beginning power tool operation, always wear safety goggles or safety glasses with side shields and, when needed, a full face shield. We recommend Wide Vision Safety Mask for use over eyeglasses or standard safety glasses with side shields. Always use eye protection which is marked to comply with ANSI Z87.1.

W A R N I N G (P R O P O S I T I O N 6 5)

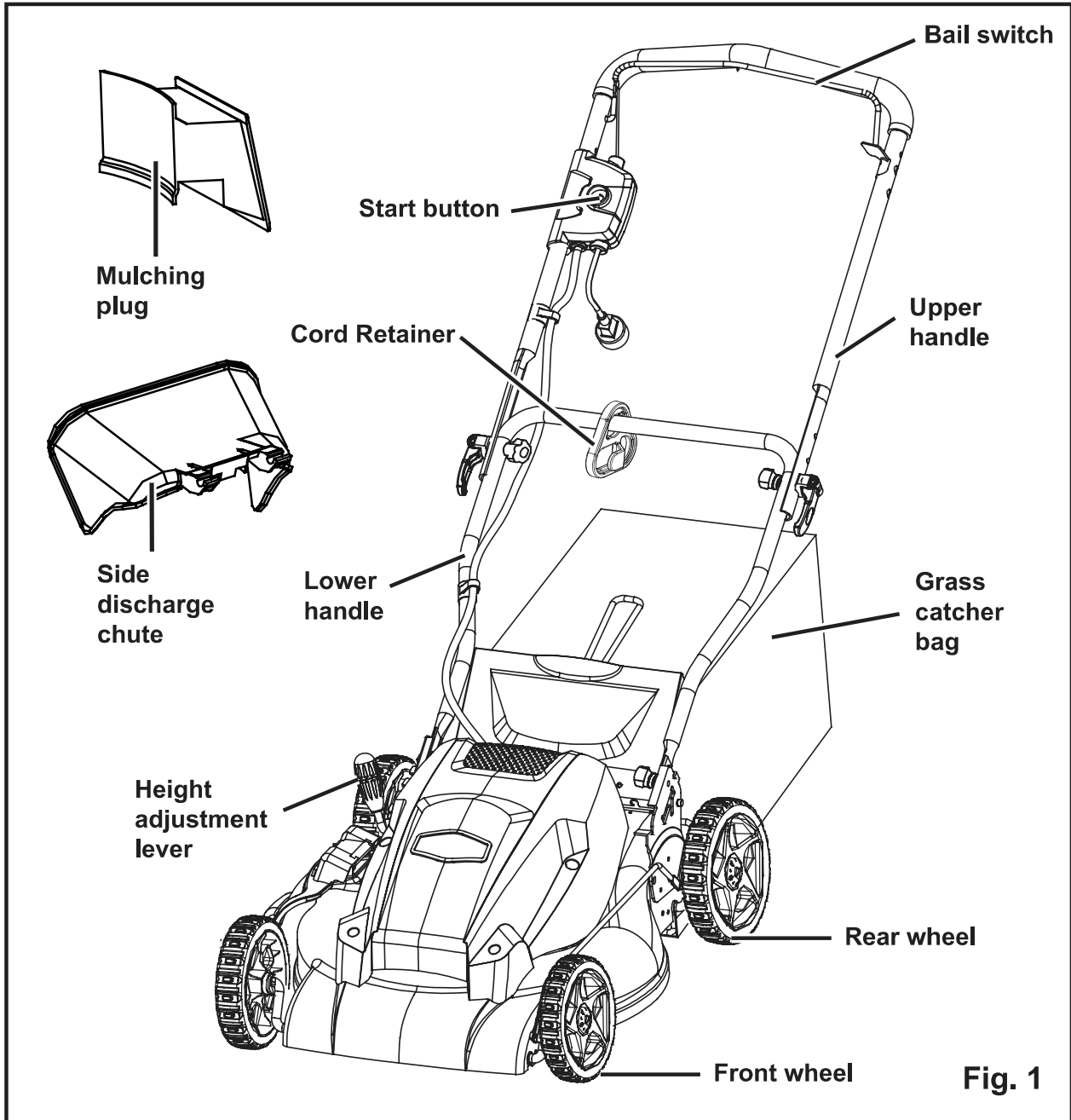
Some dust created by power sanding, sawing, grinding, drilling and other construction activities contains chemicals known to the state of California to cause cancer, birth defects or other reproductive harm. Some examples of these chemicals are:

- Lead from lead-based paints,
- Crystalline silica from bricks and cement and other masonry products, and
- Arsenic and chromium from chemically-treated lumber.

Your risk from these exposures varies, depending on how often you do this type of work. To reduce your exposure to these chemical: work in a well ventilated area, and work with approved safety equipment, such as those dust masks that are specially designed to filter out microscopic particles.

KNOW YOUR LAWN MOWER

Read this operator's manual and safety rules before operating your lawn mower. Compare the illustration in Figure 1 to your lawn mower in order to familiarize yourself with the location of various controls and adjustments. Save this manual for future reference.



ASSEMBLY INSTRUCTIONS

UNPACKING

- Carefully remove the product and any accessories from the box. Make sure that all items listed in the packing list are included.
- Inspect the product carefully to make sure no breakage or damage occurred during shipping.
- Do not discard the packing material until you have carefully inspected and satisfactorily operated the product.
- If any parts are damaged or missing, please call 1-888-909-6757 for assistance.

PACKING LIST

- Lawn mower
- Mulching plug
- Side discharge chute
- Grass catcher bag
- Owner's Manual

WARNING

If any parts are damaged or missing do not operate this product until the parts are replaced. Using a product with damaged or missing parts could result in serious personal injury.

WARNING

Do not attempt to modify this product or create accessories not recommended for use with this product. Any such alteration or modification is misuse and could result in a hazardous condition leading to possible serious personal injury.

WARNING

Do not connect from supply circuit until assembly is complete and you are ready to mow. Failure to comply could result in accidental starting and possible serious personal injury.

WARNING

To prevent accidental starting that could cause serious personal injury, always disconnect from supply circuit when assembling parts.

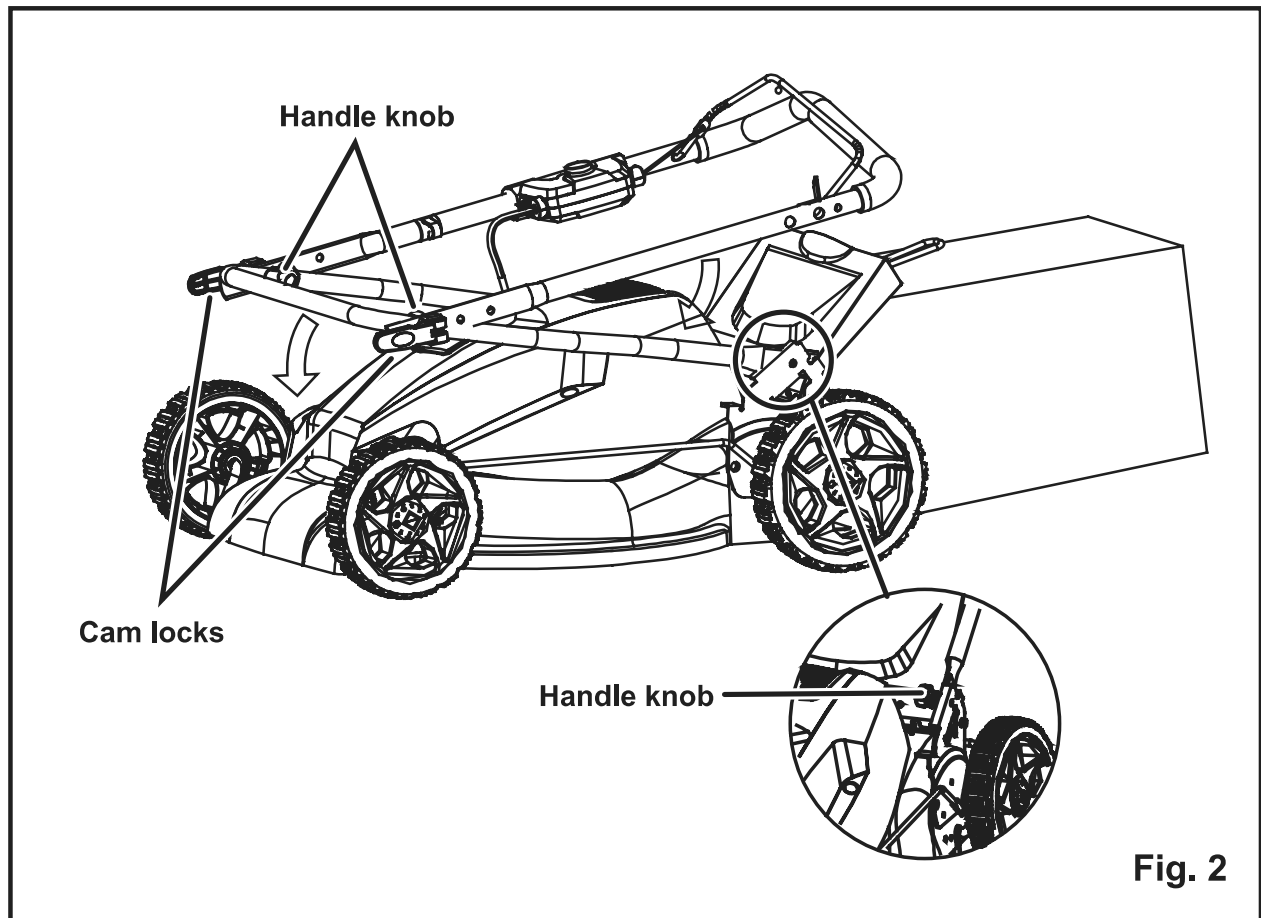
WARNING

Never operate the mower without the proper safety devices in place and working. Never operate the mower with damaged safety devices. Operation of this product with damaged or missing parts could result in serious personal injury.

ASSEMBLY INSTRUCTIONS

UNFOLDING AND ADJUSTING HANDLE (See Figure 2)

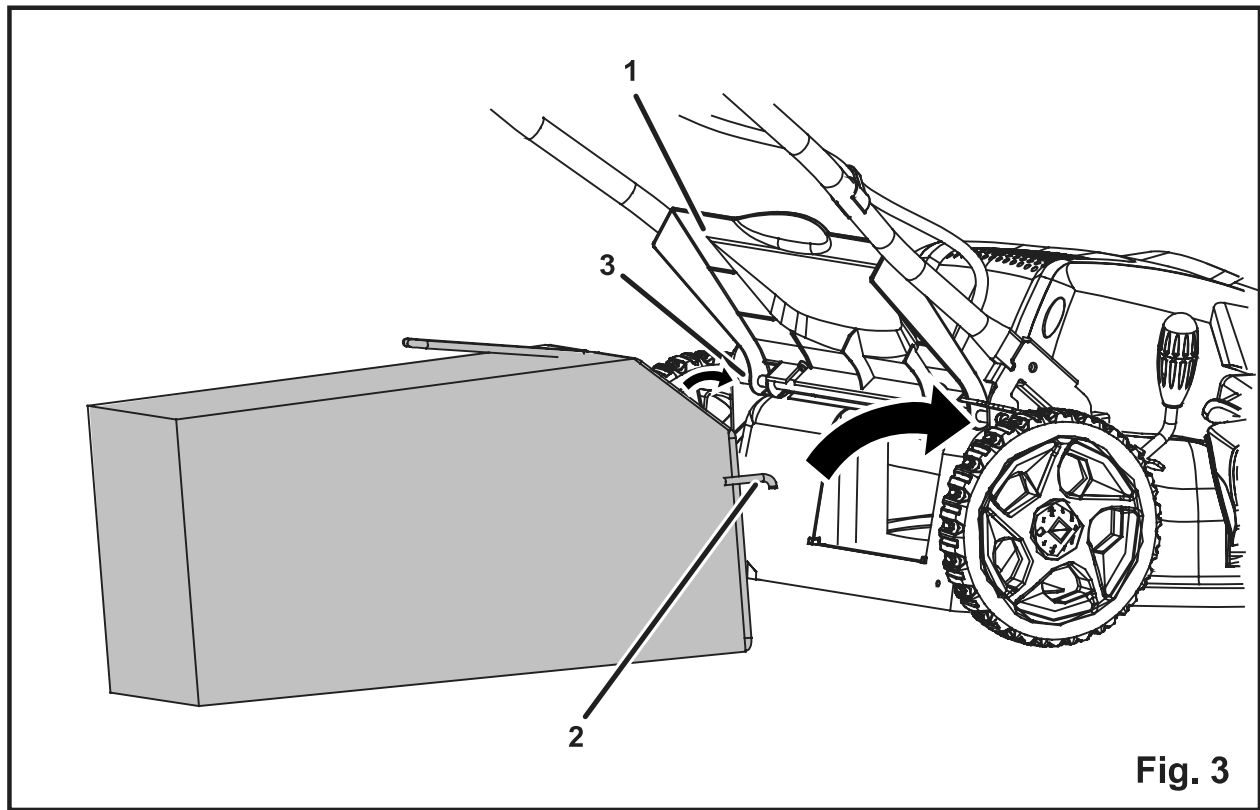
- Pull up and back on the upper handle to raise the handle into operating position. Make certain the handles snap into place securely.
- Tighten the upper handle with the cam locks on both sides.
- Tighten the lower handle with the handle knobs on both sides.



ASSEMBLY INSTRUCTIONS

INSTALLING THE GRASS CATCHER BAG (See Figure 3)

- Lift the rear discharge cover (1).
- While holding the rear cover up, place the hanger hooks (2) of the grass catcher bag into the opening on the rear cover in order to allow the hanger hooks to attach to the rod (3) that secures the rear cover.



ASSEMBLY INSTRUCTIONS

INSTALLING THE MULCHING PLUG (See Figure 4)

NOTE: When using the mulching plug, do not install either the side discharge chute or the grass catcher.

- Lift the rear discharge cover (1).
- Grasp the mulching plug by its handle (2) and tilt at an approximate 15 degree angle.
- Insert the plug into the rear discharge opening.
- Lower the rear discharge door.

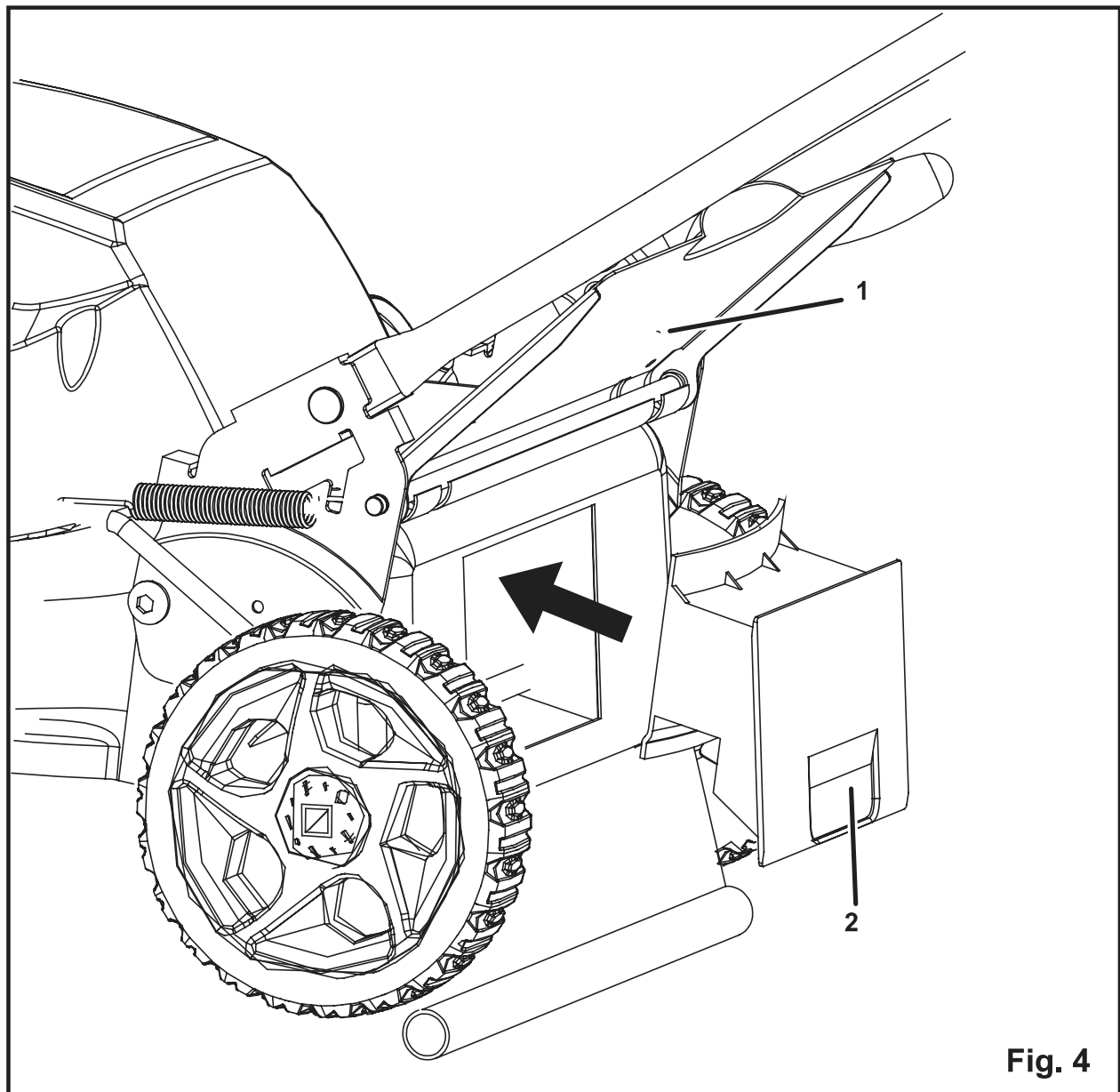
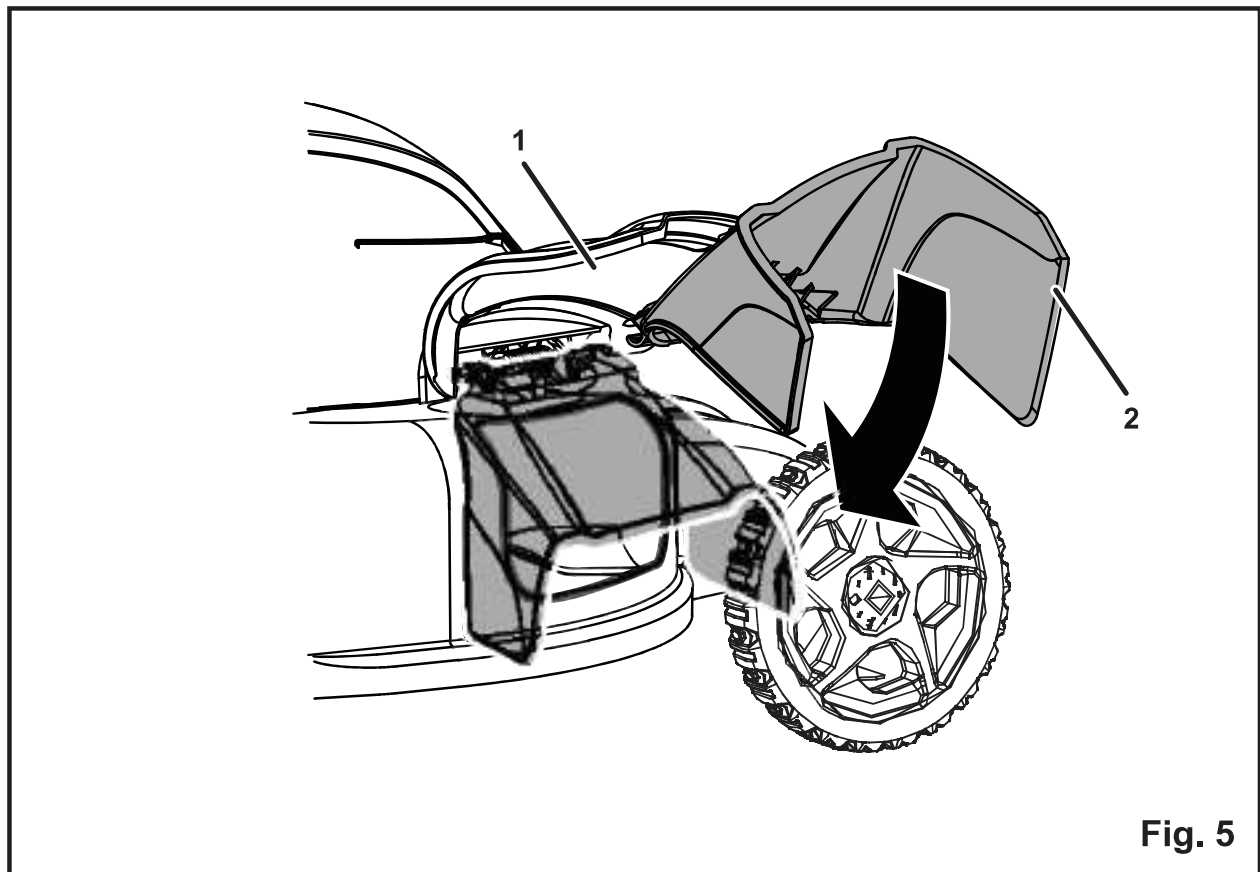


Fig. 4

ASSEMBLY INSTRUCTIONS

INSTALLING SIDE DISCHARGE CHUTE (See Figure 5)

- Lift the side discharge cover (1).
- Align the grooves on the deflector (2) with the pins on the underside of the cover.
- Lower the deflector until the hooks on the mower deck are secured in the openings in the deflector.
- Release the deflector and cover.



OPERATING YOUR LAWN MOWER

CONNECTING THE POWER CORD

Selecting an Extension Cord. The chart below shows the length of extension cords and the corresponding acceptable cord ratings.

For a 50' (15 m) cord, use 16 AWG.

For a 100' (30 m) cord, use 14 AWG.

For a 150' (45 m) cord, use 12 AWG.

Use only a CSA or equivalent agency listed extension cord that is approved for outdoor use.

I M P O R T A N T

Using any other length or rating of cord will adversely effect the performance and possibly the life of the electric motor, and may also cause breakers to trip or fuses to blow in the household fuse box.

CONNECTING TO THE SWITCH ASSEMBLY

Connect the plug to the extension cord by fully inserting the plug from the mower into the receptacle on the extension cord. The lawn mower's plug will only fit into the polarized extension cord one way. If the plug does not fit into the extension cord properly, reverse the plug. If the plug still does not fit, obtain a proper polarized extension cord or call the toll-free helpline, at 1-888-909-6757.

CONNECTING TO THE ELECTRIC POWER SOURCE

W A R N I N G

This mower is designed to operate on a 15 A circuit. If the mower has difficulty starting when connected to a circuit that contains a standard 15 A fuse or circuit breaker, call the toll-free helpline (1-888- 909-6757). Do not use a fuse or circuit breaker with higher rating than that specified for your particular branch circuit.

Plug the extension cord into a convenient 120 V AC, 60 Hz outlet, which can be located either outdoors or indoors. In order to avoid blowing fuses, use an outlet that is not overloaded. Do not use oversized fuses without consulting an electrician.

The mower is equipped with a protector.

The protector (it's a device that is calibrated to open the motor circuit upon reaching a certain temperature/current but requires both cool down below the calibration point and removal of power for resetting of the protector) in the mower helps to stop the mower if blade is stuck or overload occurs.

When the protection happens, the operator should release the bail switch and pull the plug immediately, then restart the mower after at least 5 minutes.

OPERATING YOUR LAWN MOWER

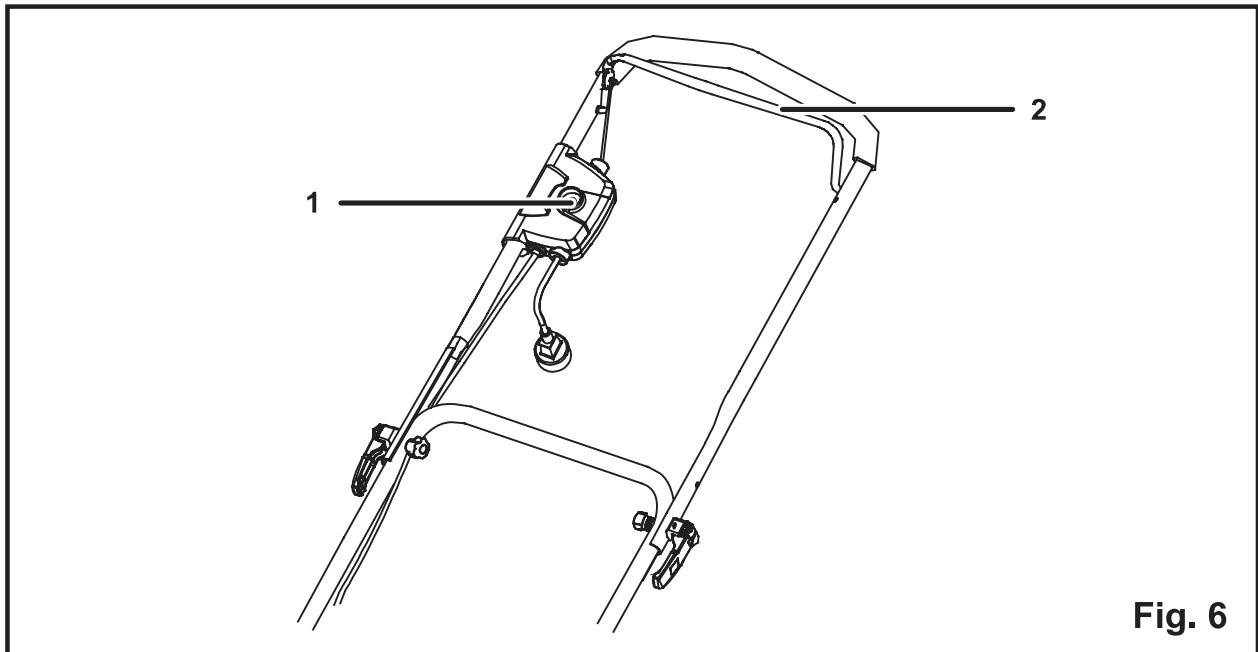
STARTING/STOPPING THE MOWER (See Figure 6)

To start the motor:

- Plug the mower into an approved outdoor extension cord.
- Press and hold the start button (1).
- Pull the bail switch (2) upward to the handle to start the mower and release the button.

To stop the motor:

- Release the bail switch.



CAUTION

Do not attempt to override the operation of the start button or bail lever.

WARNING

The operation of any mower can result in foreign objects being thrown into the eyes, which can cause severe eye damage. Always wear safety glasses while operating the mower and while performing any adjustments or repairs.

WARNING

Ensure that other people and pets remain at least 100' (30 m) away when the mower is in use.

INSPECT THE CUTTING AREA.

Remove all stones, sticks, wire, bones, and other debris that might be thrown by the rotating blades.

OPERATING YOUR LAWN MOWER

CUTTING HEIGHT ADJUSTMENT (See Figure 7)

When shipped, the wheels on the mower are set to a low-cutting position. Before using the mower for the first time, raise the cutting position to the height best suited for your lawn. The average lawn should be between 1 1/2" to 2" (3.8 to 5 cm) during cool months and between 2" and 3 1/2" (5 cm to 8.3 cm) during hot months.

To adjust the blade height:

- To raise the blade height, grasp the height adjustment lever (1) and move it toward the back of the mower.
- To lower the blade height, grasp the height adjustment lever (1) and move it toward the front of the mower.

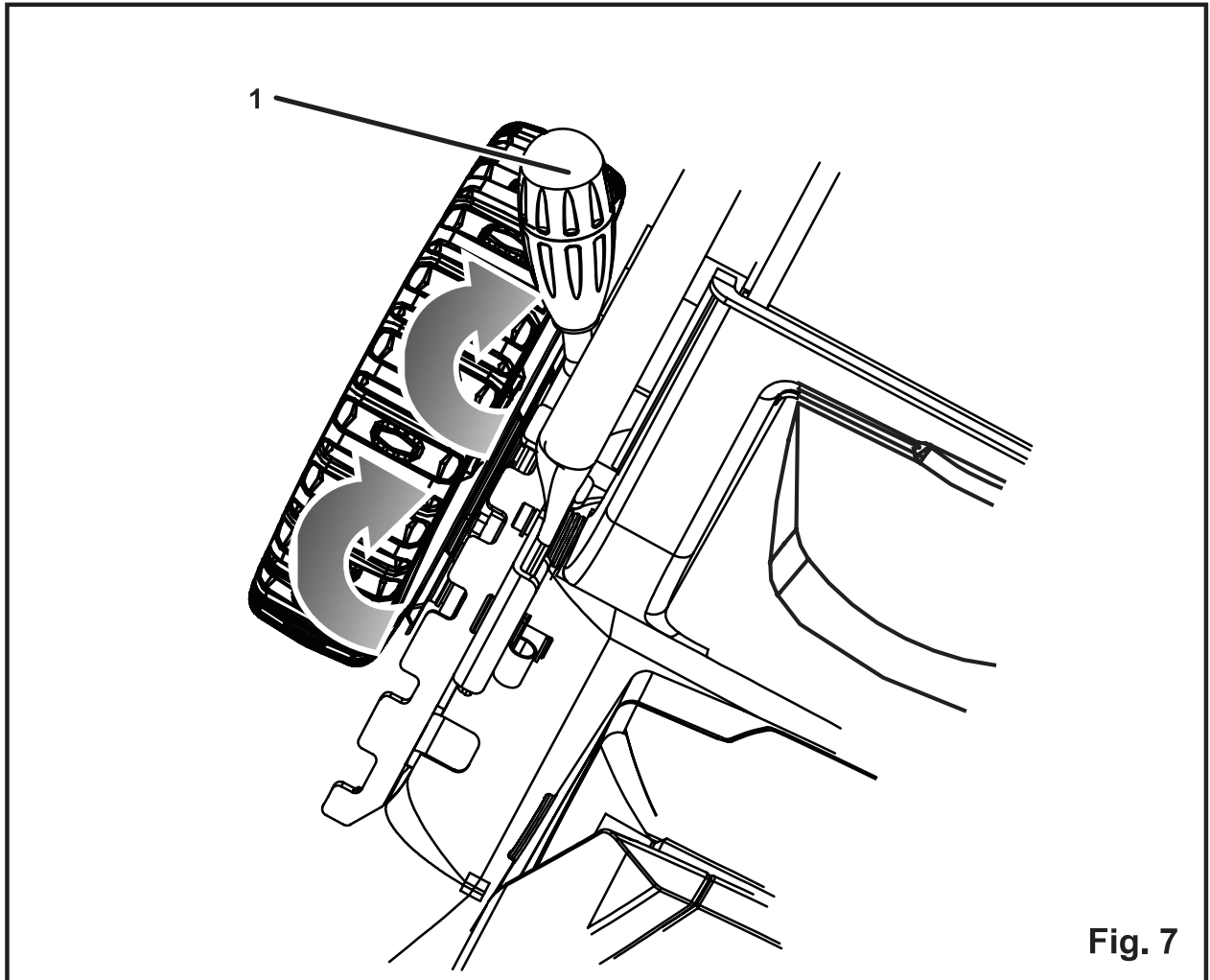


Fig. 7

OPERATING YOUR LAWN MOWER

USING THE CORD RETAINER (See Figure 8)

This lawn mower is equipped with a cord retainer in order to prevent the extension cord from disconnecting from the power cord while the mower is in use. The cord retainer hangs from the cord guide bar.

NOTE: Do not plug the extension cord into the outlet until it has been connected to the cord retainer and plugged into the mower.

To use the cord retainer:

- Fold the extension cord in order to forming a tight loop near the retainer.
- Push the loop through the bottom hole in the retainer.
- Slide the loop over the retaining clip, and pull down until the cord is secured.

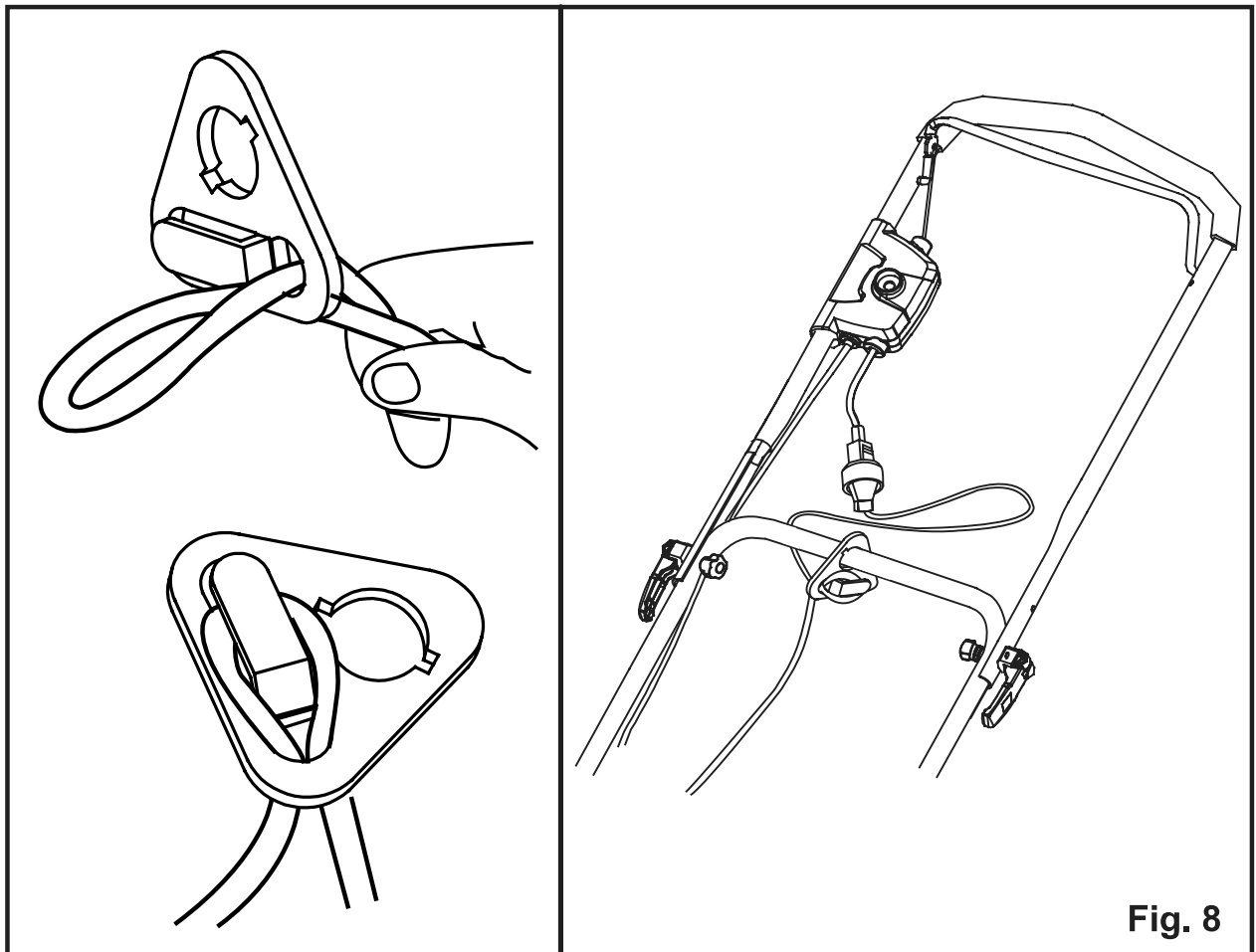


Fig. 8

OPERATING YOUR LAWN MOWER

MOWING THE LAWN

NOTE: A sharp blade will greatly enhance the performance of the mower, especially when cutting high grass. Be sure to check the blade and to sharpen it at least once per year, as described in the Maintenance section.

- Verify that the lawn is free of stones, sticks, wires, and other objects that could damage the blades, the lawn mower, or the motor. These objects could be accidentally thrown by the mower in any direction, and could cause serious personal injury to the operator and to others. In order to prevent electric shocks, do not operate the mower in damp or wet conditions.
- Always start from the point that is closest to the power source where the extension cord is connected.
- Never mow in circles. Travel back and forth across the lawn, starting from the point that is closest to the outlet and moving away from the outlet so that the cord lies behind the mower, in the cut portion of the lawn, and out of the way.
- Do not allow the extension cord to wrap around trees, shrubs, or other obstacles. When picking up the extension cord, wind the cord in a series of equal loops in order to prevent it from tangling.
- When cutting heavy grass, reduce walking speed in order to allow for a more effective cut and a proper discharge of the clippings. For a healthy lawn, always cut off one-third or less of the total length of the grass. The average lawn should be approximately 1 1/2 to 2" (3.8 to 5 cm) long during cool months, and more than 2" (5 cm) long during hot months. If there is growth, the lawn should be cut in the fall.

MULCHING TIPS

NOTE: INSPECT THE AREA WHERE THE MOWER IS TO BE USED, AND REMOVE ALL STONES, STICKS, WIRE, BONES, AND OTHER DEBRIS THAT MIGHT BE THROWN BY THE ROTATING BLADE.

- Release the switch to turn the mower OFF when crossing any graveled area (stones can be thrown by the blade).
- Set mower to the highest cutting height when mowing on uneven ground or in tall weeds.
- For effective mulching, do not cut wet grass, because it tends to stick to the underside of the deck, preventing proper mulching of grass clippings. New or thick grass may require a narrower cut. The ground speed should be adjusted to the condition of the lawn. If mowing has been delayed and the grass has been allowed to grow longer than 4" (10 cm), mow the lawn twice in order to reduce the grass height to a maximum of 3 1/4" (8.3 cm).
- Walk at a steady pace. Overlap the cutting rows. Do not let the grass get too tall. If the grass gets too long, start at the highest cutting position and work down to the desired cutting height.

WARNING

If you strike a foreign object, stop the motor and disconnect the power cord. Thoroughly inspect the mower for any damage. Repair any damage before operating the mower. Excessive vibration of the mower during operation is an indication of damage. Thoroughly inspect the mower and repair any damage before operating the mower.

OPERATING YOUR LAWN MOWER

EMPTYING THE GRASS CATCHER BAG (See Figure 9)

- Release the bail switch to turn the mower off and wait for the blade to come to a complete stop. Unplug the mower.
- Lift the rear chute cover.
- Lift the grass catcher bag by its handle to remove from mower.
- Empty grass clippings.
- Lift the rear chute cover and reinstall the grass catcher bag as described earlier in this manual.

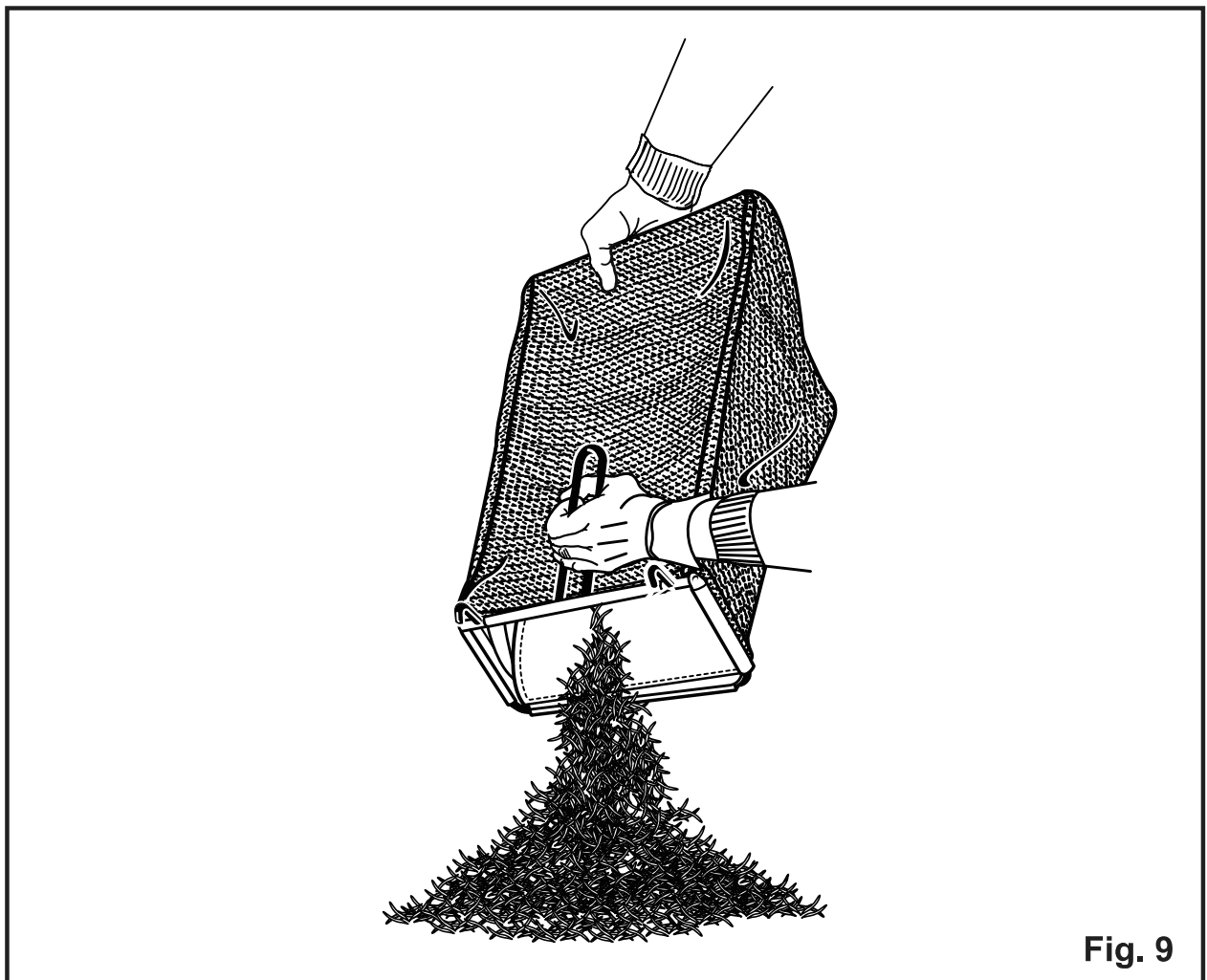


Fig. 9

MAINTENANCE

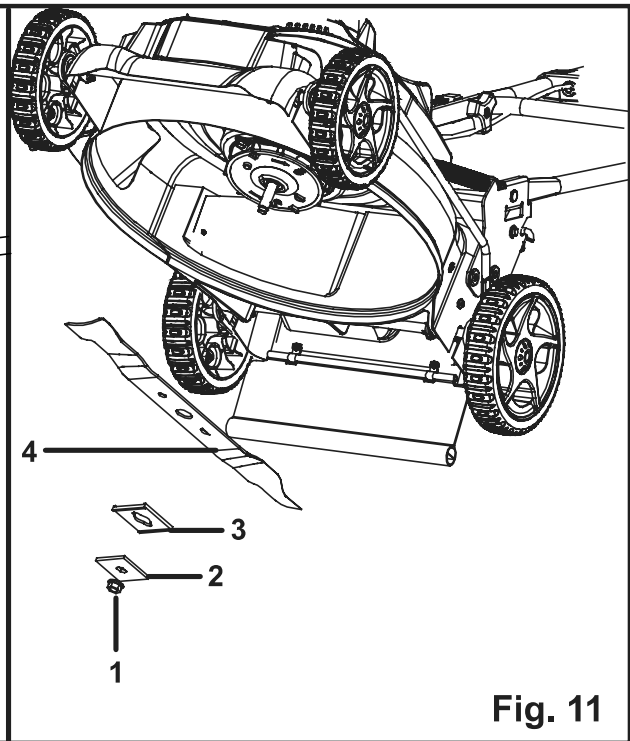
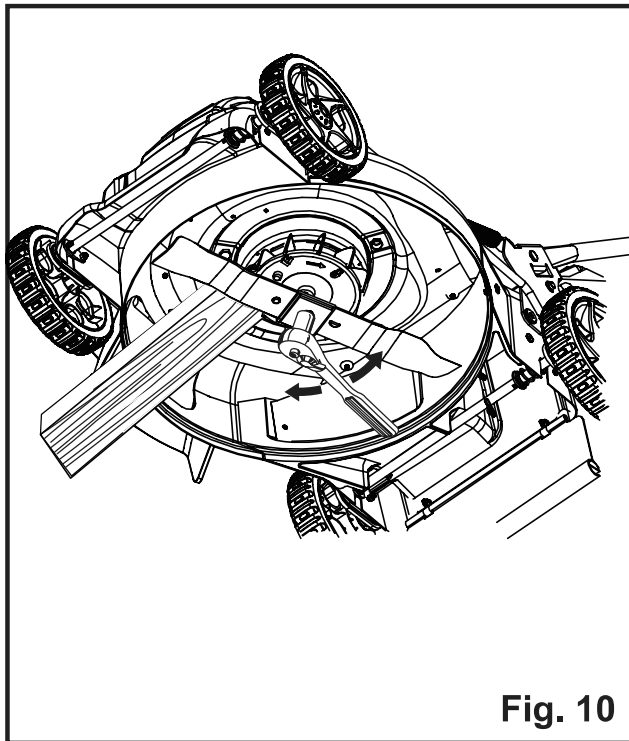
REPLACING THE CUTTING BLADE (See Figure 10-11)

⚠ WARNING

Always protect your hands by wearing heavy gloves and/or wrapping the cutting edges with rags or other materials when performing any maintenance on the blades.

Use only a GREENWORKS replacement blade.

- Release the bail switch to turn the mower off and wait for the blade to come to a complete stop. Unplug the mower.
- While wearing leather padded gloves, wedge a block of wood between the blade and the mower deck in order to prevent the blade from turning when the nut is being removed.
- Using a 15-mm wrench or socket, loosen the blade nut (1) and remove the blade (4). Turn the nut "COUNTER-CLOCKWISE" to loosen it and "CLOCKWISE" to tighten it.
- Remove the blade nut (1), the square washer(2), the insulator washer(3), and the blade (4).
- To re-install the blade, position the blade with the cutting edges toward the ground. Assemble the blade nut, the square washer, and the insulator washer as shown. Using a 15-mm socket or wrench, turn the blade nut "CLOCKWISE" in order to secure the blade.



NOTE: Be sure to replace the parts in the exact order in which they were removed. When installing the cutting blade, verify that it is installed with the curved ends pointing toward the mower deck, and not toward the ground. Refer to the schematic drawing on page 26 of this Manual.

MAINTENANCE

CLEANING THE MOWER

WARNING

To reduce the risk of electric shock, do not expose the mower to water.

The underside of mower deck should be cleaned after each use as grass clippings, leaves, dirt and other debris will accumulate causing rust and corrosion.

- Remove any buildup of grass and leaves on or around the motor cover (do not use water). Wipe the mower clean with a dry cloth occasionally.
- If debris build up on the underside of the unit while in use, stop the motor and disconnect it from the power supply. Tilt the mower forward, or on its side, and scrape it clean with an appropriate tool.

STORING THE MOWER

The following steps should be taken to prepare the lawn mower for storage.

- Make certain the power cord is disconnected.
- Clean mower as instructed in previous section.
- Inspect and replace/sharpen blade, if required. Refer to the Maintenance section.
- Store mower in a dry, clean area. Do not store next to corrosive materials, such as fertilizer and rock salt.
- Wipe extension cord to remove any foreign substances such as oil or stains. Replace extension cord if cut or damaged in any way.
- Wind cord in a series of equal loops to prevent it from tangling.
- Store mower indoors, in a cool, dry place, out of the reach of children. Do not cover lawn mower with a solid plastic sheet. Plastic coverings trap moisture around the mower causing corrosion.

The handle may be folded away completely for storage. (See Figure 2)

- Lift up the cam locks on the sides of the handle to unlock, and fold the upper handle down.
- Loosen the handle knobs, pull outwards on each side of the lower handle, and lift the sides of the lower handle past the edges of the handle mounting brackets. Fold the lower handle forward. Make sure not to bend or kink the power cord.

TROUBLESHOOTING

| PROBLEM | POSSIBLE CAUSE | SOLUTION |
|-------------------------------------|--|---|
| The handle is not in position. | Carriage bolts are not seated properly. | Adjust the height of the handle and make sure the carriage bolts are seated properly. |
| | Cam handle is not tightened. | Tighten cam handle. |
| The mower does not start. | The extension cord is not connected to the mower plug. | Reconnect the cord, and use the cord restraint to keep the cord close to the switch. |
| | The extension cord is not connected to the power source. | Connect the extension cord to a live 120V AC, 60 HZ AC receptacle. |
| | The control switch is defective. | Have motor control switch replaced by an authorized service center. |
| The mower cuts the grass unevenly. | The lawn is rough or uneven. | Check the mowing area. |
| | The cutting height is not set properly. | Move the wheels to a higher position. |
| The mower is not mulching properly. | Wet grass clippings are sticking to the underside of the deck. | Wait until the grass dries before mowing. |
| The mower is hard to push. | The grass is long, or the cutting height is too low. | Raise the cutting height. |
| | The rear of the mower housing and the blade are dragging in heavy grass. | |
| The mower vibrates at higher speed. | The motor shaft is bent. | Stop the motor, disconnect the mower from the power source, and inspect it for damage. Repair the mower before restarting. If the vibration persists, call the toll-free helpline, at 1-888-909-6757. |
| | The blade is unbalanced. | Balance the blade by grinding each cutting edge equally. |

LIMITED THREE-YEAR WARRANTY

greenworks



GREENWORKS hereby warrants this product, to the original purchaser with **proof of purchase**, for a period of three (3) years against defects in materials, parts or workmanship. GREENWORKS, at its own discretion will repair or replace any and all parts found to be defective, through normal use, free of charge to the customer. This warranty is valid only for units which have been used for personal use that have not been hired or rented for industrial/commercial use, and that have been maintained in accordance with the instructions in the owners' manual supplied with the product from new.

ITEMS NOT COVERED BY WARRANTY:

1. Any part that has become inoperative due to misuse, commercial use, abuse, neglect, accident, improper maintenance, or alteration; or
2. The unit, if it has not been operated and/or maintained in accordance with the owner's manual; or
3. Normal wear, except as noted below;
4. Routine maintenance items such as lubricants, blade sharpening;
5. Normal deterioration of the exterior finish due to use or exposure.

GREENWORKS HELPLINE (1 888 90WORKS):

Warranty service is available by calling our toll-free helpline, 9 a.m. to 5 p.m. EST. Monday – Friday at **1 888 909 6757 (1 888 90WORKS)**.

TRANSPORTATION CHARGES:

Transportation charges for the movement of any power equipment unit or attachment are the responsibility of the purchaser. It is the purchaser's responsibility to pay transportation charges for any part submitted for replacement under this warranty unless such return is requested in writing by GREENWORKS.