

greenworks

proTM

2015502CT

EN	CHAINSAW	OPERATOR MANUAL
FR	SCIE À CHAÎNE	MANUEL DE L'UTILISATEUR
ES	SIERRA DE CADENA	MANUAL DEL OPERADOR



CSC404

www.greenworkstools.com

1	Description.....	4	8.1	Unpack the machine.....	8
1.1	Purpose.....	4	8.2	Add bar and chain oil.....	8
1.2	Overview.....	4	8.3	Install the battery pack.....	8
1.3	Packing list.....	4	8.4	Remove the battery pack.....	9
2	General power tool safety		9	Operation.....	9
	warnings.....	4	9.1	Examine the chain oil.....	9
2.1	Work area safety.....	4	9.2	Hold the machine.....	9
2.2	Electrical safety.....	4	9.3	Start the machine.....	9
2.3	Personal safety.....	4	9.4	Stop the machine.....	9
2.4	Power tool use and care.....	5	9.5	Operate the chain brake.....	9
2.5	Battery tool use and care.....	5	9.6	Fell a tree.....	10
2.6	Service.....	5	9.7	Limb a tree.....	10
3	Safety instructions for chain		9.8	Buck a log.....	10
	saws.....	6	10	Maintenance.....	11
3.1	General chain saw safety warnings:.....	6	10.1	Replace the guide bar and the chain.....	11
3.2	Causes and operator prevention of kickback:.....	6	10.2	Adjust the chain tension.....	12
4	Symbols on the product.....	7	10.3	Sharpen the cutters.....	13
5	Risk levels.....	7	10.4	Guide bar maintenance.....	13
6	Environmentally safe battery		11	Transportation and storage.....	14
	disposal.....	7	12	Troubleshooting.....	14
7	Proposition 65.....	8	13	Technical data.....	15
8	Installation.....	8	14	Limited warranty.....	15
			15	Exploded view.....	17

1 DESCRIPTION

1.1 PURPOSE

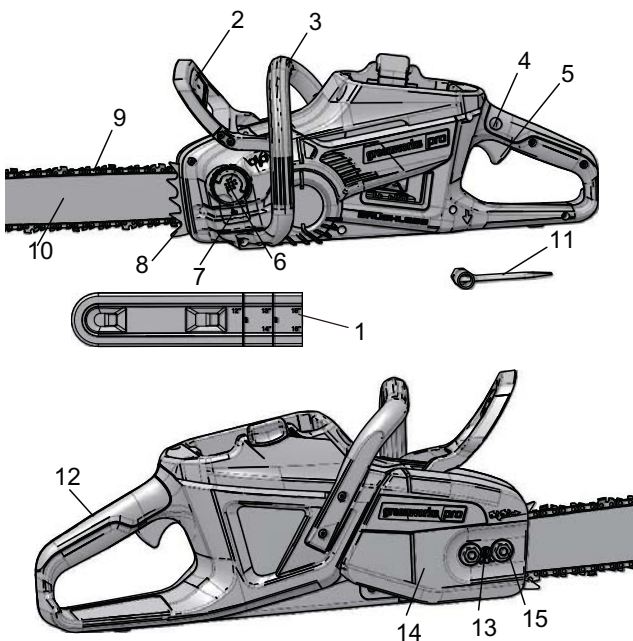
This chainsaw is designed for cutting branches, trunks, logs and beams of a diameter determined by the cutting length of the guide bar. It is only designed to cut wood.

It is only to be used in an outdoor, domestic application by adults.

Do not use the chainsaw for any purpose not listed above.

This chainsaw is not to be used for professional tree services. It is not to be used by children or by persons not wearing adequate personal protective equipment and clothing.

1.2 OVERVIEW



1	Scabbard	9	Chain
2	Chain brake	10	Guide bar
3	Front handle	11	Wrench
4	Lock out button	12	Rear handle
5	Trigger	13	Chain tension screw
6	Oil cap	14	Chain cover
7	Oil window	15	Chain cover nuts
8	Bucking spikes		

1.3 PACKING LIST

1	Chainsaw	3	Manual
2	Scabbard	4	Wrench

2 GENERAL POWER TOOL SAFETY WARNINGS

▲ WARNING

Read all safety warnings, instructions, illustrations and specifications provided with this power tool. Failure to follow all instructions listed below may result in electric shock, fire and/or serious injury.

Save all warnings and instructions for future reference.

The term "power tool" in the warnings refers to your battery-operated (cordless) power tool.

2.1 WORK AREA SAFETY

- **Keep work area clean and well lit. Cluttered or dark areas invite accidents.**
- **Do not operate power tools in explosive atmospheres, such as in the presence of flammable liquids, gases or dust. Power tools create sparks which may ignite the dust or fumes.**
- **Keep children and bystanders away while operating a power tool. Distractions can cause you to lose control.**

2.2 ELECTRICAL SAFETY

- **Power tool plugs must match the outlet. Never modify the plug in any way. Do not use any adapter plugs with earthed (grounded) power tools. Unmodified plugs and matching outlets will reduce risk of electric shock.**
- **Avoid body contact with earthed or grounded surfaces, such as pipes, radiators, ranges and refrigerators. There is an increased risk of electric shock if your body is earthed or grounded.**
- **Do not expose power tools to rain or wet conditions. Water entering a power tool will increase the risk of electric shock.**
- **Do not abuse the cord. Never use the cord for carrying, pulling or unplugging the power tool. Keep cord away from heat, oil, sharp edges or moving parts. Damaged or entangled cords increase the risk of electric shock.**
- **When operating a power tool outdoors, use an extension cord suitable for outdoor use. Use of a cord suitable for outdoor use reduces the risk of electric shock.**
- **If operating a power tool in a damp location is unavoidable, use a RESIDUAL CURRENT DEVICE (RCD) protected supply. Use of an RCD reduces the risk of electric shock.**

2.3 PERSONAL SAFETY

- **Stay alert, watch what you are doing and use common sense when operating a power tool. Do not use a power tool while you are tired or under the influence of drugs, alcohol or medication. A moment of inattention while operating power tools may result in serious personal injury.**

- **Use personal protective equipment. Always wear eye protection.** *Protective equipment such as a dust mask, non-skid safety shoes, hard hat or hearing protection used for appropriate conditions will reduce personal injuries.*
- **Prevent unintentional starting. Ensure the switch is in the off position before connecting to power source and/or battery pack picking up or carrying the tool.** *Carrying power tools with your finger on the switch or energizing power tools that have the switch on invites accidents.*
- **Remove any adjusting key or wrench before turning the power tool on.** *A wrench or a key left attached to a rotating part of the power tool may result in personal injury.*
- **Do not over-reach. Keep proper footing and balance at all times.** *This enables better control of the power tool in unexpected situations.*
- **Dress properly. Do not wear loose clothing or jewelry. Keep your hair, clothing and gloves away from moving parts.** *Loose clothes, jewelry or long hair can be caught in moving parts.*
- **If devices are provided for the connection of dust extraction and collection facilities, ensure these are connected and properly used.** *Use of dust collection can reduce dust related hazards.*
- **Do not let familiarity gained from frequent use of tools allow you to become complacent and ignore tool safety principles.** *A careless action can cause severe injury within a fraction of a second.*
- **Keep cutting tools sharp and clean.** *Properly maintained cutting tools with sharp cutting edges are less likely to bind and are easier to control.*
- **Use the power tool, accessories and tool bits etc. in accordance with these instructions, taking into account the working conditions and the work to be performed.** *Use of the power tool for operations different from those intended could result in a hazardous situation.*
- **Keep handles and grasping surfaces dry, clean and free from oil and grease.** *Slippery handles and grasping surfaces do not allow for safe handling and control of the tool in unexpected situations.*

2.5 BATTERY TOOL USE AND CARE

- **Recharge only with the charger specified by the manufacturer.** *A charger that is suitable for one type of battery pack may create a risk of fire when used with another battery pack.*
 - **Use power tools only with specifically designated battery packs.** *Use of any other battery packs may create a risk of injury and fire.*
 - **When battery pack is not in use, keep it away from other metal objects like paper clips, coins, keys, nails, screws, or other small metal objects that can make a connection from one terminal to another.** *Shorting the battery terminals together may cause burns or fire.*
 - **Under abusive conditions, liquid may be ejected from the BATTERY; avoid contact. If contact accidentally occurs, flush with water. If liquid contacts eyes, additionally seek medical help.** *Liquid ejected from the BATTERY may cause irritation or burns.*
 - **Do not use a battery pack or tool that is damaged or modified.** *Damaged or modified batteries may exhibit unpredictable behaviour resulting in fire, EXPLOSION or risk of injury.*
 - **Do not expose a battery pack or tool to fire or excessive temperature.** *Exposure to fire or temperature above 130 °C may cause explosion.*
 - **Follow all charging instructions and do not charge the battery pack or tool outside the temperature range specified in the instructions.** *Charging improperly or at temperatures outside the specified range may damage the battery and increase the risk of fire.*
- ## 2.4 POWER TOOL USE AND CARE
- **Do not force the power tool. Use the correct power tool for your application.** *The correct power tool will do the job better and safer at the rate for which it was designed.*
 - **Do not use the power tool if the switch does not turn it on and off.** *Any power tool that cannot be controlled with the switch is dangerous and must be repaired.*
 - **Disconnect the plug from the power source and/or remove the BATTERY pack, if detachable, from the power tool before making any adjustments, changing accessories, or storing power tools.** *Such preventive safety measures reduce the risk of starting the power tool accidentally.*
 - **Store idle power tools out of the reach of children and do not allow persons unfamiliar with the power tool or these instructions to operate the power tool.** *Power tools are dangerous in the hands of untrained users.*
 - **Maintain power tools and accessories. Check for misalignment or binding of moving parts, breakage of parts and any other condition that may affect the power tool's operation. If damaged, have the power tool repaired before use.** *Many accidents are caused by poorly maintained power tools.*

2.6 SERVICE

- **Have your power tool serviced by a qualified repair person using only identical replacement parts.** *This will ensure that the safety of the power tool is maintained.*
- **Never service damaged battery packs.** *Service of battery packs should only be performed by the manufacturer or authorized service providers.*

3 SAFETY INSTRUCTIONS FOR CHAIN SAWS

3.1 GENERAL CHAIN SAW SAFETY WARNINGS:

- **Keep all parts of the body away from the saw chain when the chain saw is operating. Before you start the chain saw, make sure the saw chain is not contacting anything.** *A moment of inattention while operating chain saws may cause entanglement of your clothing or body with the saw chain.*
- **Always hold the chain saw with your right hand at the rear handle and your left hand at the front handle.** *Holding the chainsaw with a reversed hand configuration increases the risk of personal injury and should never be done.*
- **Hold the chain saw by insulated gripping surfaces only, because the saw chain may contact hidden wiring or its own cord.** *Saw chains contacting a "live" wire may make exposed metal parts of the chain saw "live" and could give the operator an electric shock.*
- **Wear eye protection. Further protective equipment for hearing, head, hands, legs and feet is recommended.** *Adequate protective equipment will reduce personal injury from flying debris or accidental contact with the saw chain.*
- **Do not operate a chain saw, on a ladder, from a rooftop, or any unstable support.** *Operation of a chain saw in this manner could result in serious personal injury.*
- **Always keep proper footing and operate the chain saw only when standing on fixed, secure and level surface.** *Slippery or unstable surfaces may cause a loss of balance or control of the chain saw.*
- **When cutting a limb that is under tension, be alert of spring back.** *When the tension in the wood is released, the spring loaded limb may strike the operator and/or throw the chain saw out of control.*
- **Use extreme caution when cutting brush and saplings.** *The slender material may catch the saw chain and be whipped toward you or pull you off balance.*
- **Carry the chain saw by the front handle with the chainsaw switched off and away from your body. When transporting or storing the chain saw, always fit the guide bar cover.** *Proper handling of the chain saw will reduce the likelihood of accidental contact with the moving saw chain.*
- **Follow instructions for lubricating, chain tensioning and changing the bar and chain.** *Improperly tensioned or lubricated chain may either break or increase the chance for kickback.*
- **Cut wood only. Do not use chain saw for purposes not intended. For example: do not use chain saw for cutting metal, plastic, masonry or non-wood building materials.** *Use of the chain saw for operations different than intended could result in a hazardous situation.*

- **Do not attempt to fell a tree until you have an understanding of the risks and how to avoid them.** *Serious injury could occur to the operator or bystanders while felling a tree.*
- **This chain saw is not intended for tree felling.** *Use of the chain saw for operations different than intended could result in serious injury to the operator or bystanders.*
- **Do not operate a chain saw in a tree unless you have been specifically trained to do so. Operation of a chain saw in a tree without proper training could increase the risk of serious personal injury.**
- **Follow all instructions when clearing jammed material, storing or servicing the chain saw. Make sure the switch is off and the battery pack is removed.** *Unexpected actuation of the chain saw while clearing jammed material or servicing may result in serious personal injury.*

3.2 CAUSES AND OPERATOR PREVENTION OF KICKBACK:

Kickback may occur when the nose or tip of the guide bar touches an object, or when the wood closes in and pinches the saw chain in the cut.

Tip contact in some cases may cause a sudden reverse reaction, kicking the guide bar up and back towards the operator.

Pinching the saw chain along the top of the guide bar may push the guide bar rapidly back towards the operator.

Either of these reactions may cause you to lose control of the saw which could result in serious personal injury. Do not rely exclusively upon the safety devices built into your saw. As a chainsaw user, you should take several steps to keep your cutting jobs free from accident or injury.

Kickback is the result of tool misuse and/or incorrect operating procedures or conditions and can be avoided by taking proper precautions as given below:

- **Maintain a firm grip, with thumbs and fingers encircling the chainsaw handles, with both hands on the saw and your body and arm positioned to allow you to resist kickback forces.**

Kickback forces can be controlled by the operator, if proper precautions are taken. Do not let go of the chainsaw.
- **Do not overreach and do not cut above shoulder height.** This helps prevent unintended tip contact and enables better control of the chainsaw in unexpected situations.
- **Only use replacement bars and chains specified by the manufacturer.** Incorrect replacement bars and chains may cause chain breakage and/or kickback.
- **Follow the manufacturer's sharpening and maintenance instructions for the saw chain.** Decreasing the depth gauge height can lead to increased kickback.

4 SYMBOLS ON THE PRODUCT

Some of the following symbols may be used on this product. Please study them and learn their meaning. Proper interpretation of these symbols will allow you to operate the product better and safer.

Symbol	Explanation
	Direct current - Type or characteristic of current.
	Precautions that involve your safety.
	Read and understand all instructions before operating the product, and follow all warnings and safety instructions.
	Wear eye and ear protection.
	Do not expose the product to rain or moist conditions.
	Avoid bar nose contact.
	Hold with both hands.
	DANGER! Be careful with kickbacks.
	Wear non-slip, heavy-duty gloves.
	Keep all bystanders at least 50 feet (15 m) away.

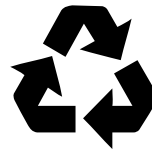
5 RISK LEVELS

The following signal words and meanings are intended to explain the levels of risk associated with this product.

SYM-BOL	SIGNAL	MEANING
	DANGER	Indicates an imminently hazardous situation, which, if not avoided, will result in death or serious injury.
	WARNING	Indicates a potentially hazardous situation, which, if not avoided, could result in death or serious injury.

SYM-BOL	SIGNAL	MEANING
	CAUTION	Indicates a potentially hazardous situation, which, if not avoided, may result in minor or moderate injury.
	CAUTION	(Without Safety Alert Symbol) Indicates a situation that may result in property damage.

6 ENVIRONMENTALLY SAFE BATTERY DISPOSAL



The toxic and corrosive materials below are in the batteries used in this machine: **Lithium-Ion, a toxic material.**

▲ WARNING

Discard all toxic materials in a specified manner to prevent contamination of the environment. Before discarding damaged or worn out Li-ion battery, contact your local waste disposal agency, or the local Environmental Protection Agency for information and specific instructions. Take the batteries to a local recycling and/or disposal center, certified for lithium-ion disposal.

▲ WARNING

If the battery pack cracks or breaks, with or without leaks, do not recharge it and do not use. Discard it and replace with a new battery pack. **DO NOT TRY TO REPAIR IT!** To prevent injury and risk of fire, explosion, or electric shock, and to avoid damage to the environment:

- Cover the terminals of the battery with heavy-duty adhesive tape.
- **DO NOT** try to remove or destroy any of the battery pack components.
- **DO NOT** try to open the battery pack.
- If a leak develops, the released electrolytes are corrosive and toxic. **DO NOT** get the solution in the eyes or on skin, and do not swallow it.
- **DO NOT** put these batteries in your regular household trash.
- **DO NOT** incinerate.
- **DO NOT** put them where they will become part of any waste landfill or municipal solid waste stream.
- Take them to a certified recycling or disposal center.

7 PROPOSITION 65

▲ WARNING

This product contains a chemical known to the state of California to cause cancer, birth defects or other reproductive harm. Some dust created by power sanding, sawing, grinding, drilling, and other construction activities contains chemicals known to cause cancer, birth defects or other reproductive harm. Some examples of these chemicals are:

- Lead from lead-based paints;
- Crystalline silica from bricks and cement and other masonry products;
- Arsenic and chromium from chemically treated lumber.

Your risk of exposure to these chemicals varies depending on how often you do this type of work. To reduce your exposure to these chemicals, work in a well-ventilated area, and work with approved safety equipment, such as dust masks that are specially designed to filter out microscopic particles.

Save these instructions.

8 INSTALLATION

▲ WARNING

Do not change or make accessories that are not recommended by the manufacturer.

▲ WARNING

Do not install battery pack until you assemble all the parts.

8.1 UNPACK THE MACHINE

▲ WARNING

Make sure that you correctly assemble the machine before use.

▲ WARNING

- If parts of the machine are damaged, do not use the machine.
- If you do not have all the parts, do not operate the machine.
- If parts are damaged or missing, contact the service center.

1. Open the package.
2. Read the documentation provided in the box.
3. Remove all the unassembled parts from the box.
4. Remove the machine from the box.
5. Discard the box and packing material in compliance with local regulations.

8.2 ADD BAR AND CHAIN OIL

Examine the amount of oil in the machine. If the oil level is low, add the bar and chain oil as follows.

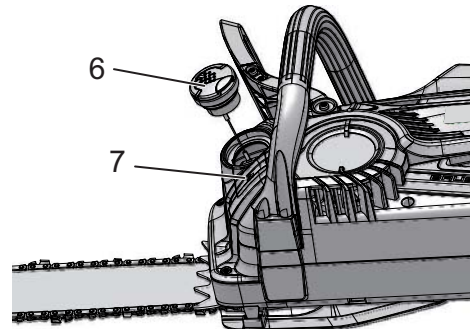
i IMPORTANT

Use only bar and chain oil.

i NOTE

The machine comes from the factory without bar and chain oil.

1. Loosen and remove the cap (6) from the oil tank.

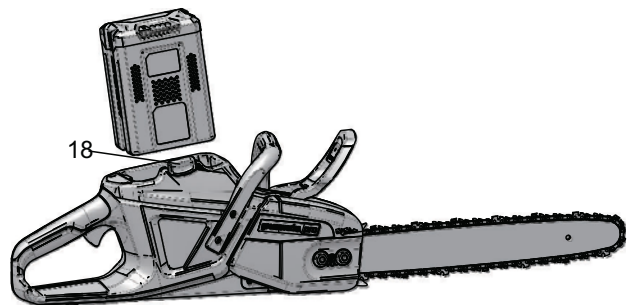


2. Put the oil into the oil tank.
3. Monitor the oil window (7) to make sure that no dirt gets into the oil tank while you add the oil.
4. Put the oil cap on.
5. Tighten the oil cap.
6. The whole oil tank will last for approximately 20- 40 minutes.

i IMPORTANT

Do not use dirty, used or contaminated oil. Damage can occur to the bar or chain.

8.3 INSTALL THE BATTERY PACK



▲ WARNING

- If the battery pack or charger is damaged, replace the battery pack or the charger.
- Stop the machine and wait until the motor stops before you install or remove the battery pack.
- Read and understand the instructions in the battery and charger manual.

1. Align the lift ribs on the battery pack with the grooves in the battery compartment.
2. Push the battery pack into the battery compartment until the battery pack locks into place.
3. When you hear a click, the battery pack is installed.

8.4 REMOVE THE BATTERY PACK

1. Push and hold the battery release button (18).
2. Remove the battery pack from the machine.

9 OPERATION

i NOTE

Remove the battery pack and keep hands clear of the lock out button when you move the machine.

i IMPORTANT

Examine the chain tension before each use.

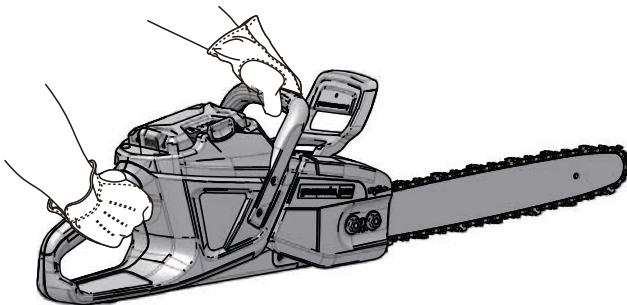
9.1 EXAMINE THE CHAIN OIL

i NOTE

Do not use the machine without sufficient chain oil.

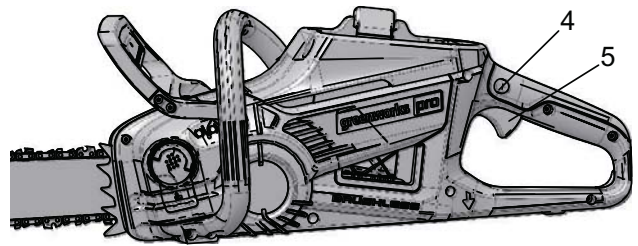
1. Examine the oil level of the machine from the oil indicator.
2. Add oil if necessary.

9.2 HOLD THE MACHINE



1. Hold the chainsaw with your right hand on the rear handle and left hand on the front handle.
2. Hold the handles with the thumbs and the fingers around them.
3. Make sure that your left hand holds the front handle and your thumb is below the handle.

9.3 START THE MACHINE



1. Press the lock-out button (4).
2. Press the trigger (5) while you hold the lock-out button.
3. Release the lock-out button.

i IMPORTANT

The chain brake must be disengaged for the chain saw to start. Activate the brake by moving the front hand guard forwards.

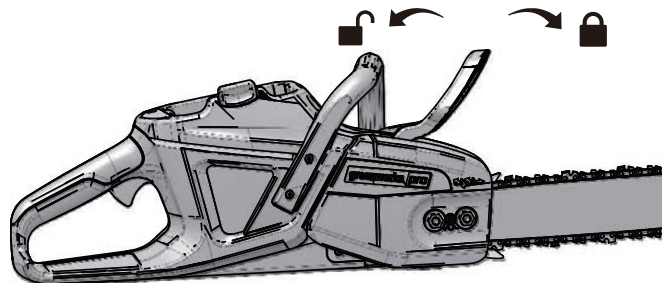
9.4 STOP THE MACHINE

1. Release the trigger to stop the machine.

9.5 OPERATE THE CHAIN BRAKE

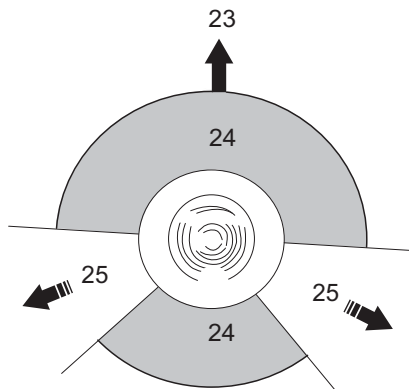
▲ WARNING

Make sure that your hands are on the handles at all times.



1. Start the machine.
2. Push the guard forward to engage the chain brake.
3. Pull the handle guard / chain brake backwards to disengage the chain brake.
4. Call approved service center for repair before use if
 - The chain brake does not stop the chain immediately.
 - The chain brake does not stay in the disengaged position without aid.

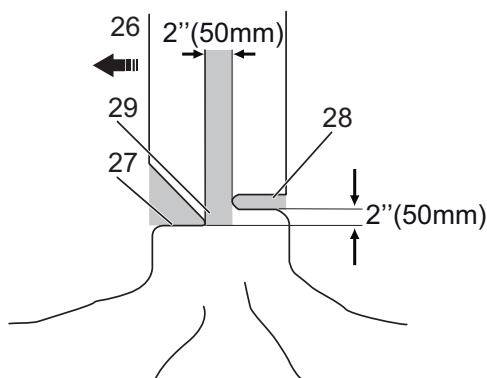
9.6 FELL A TREE



It is recommended that the first-time user should, as a minimum practice, start cutting logs on a saw-horse or cradle.

Before you start to fell a tree, make sure that:

- The minimum distance between the areas of bucking and felling performed by two or more persons at the same time is two times the height of the tree felled.
- The operation does not:
 - Cause injury to personnel.
 - Hit utility lines. If the tree touches utility lines, immediately tell the utility company.
 - Cause losses in property.
- The user is not in the danger area (24), for example, the downhill side of the area.
- The escape paths (25) that extend back and diagonally behind the felling direction (23) are clear. The felling direction is controlled by:
 - The natural lean of the tree.
 - The location of larger branches.
 - The wind direction.
- Ensure there is no dirt, stones, loose bark, nails, or staples on the tree.



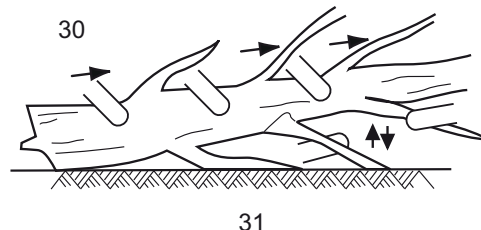
1. **Make a lower level notching cut (27). Make sure that this cut is:**
 - a) 1/3 width of the diameter of the tree.
 - b) Perpendicular to the felling direction.

▲ CAUTION

The level notching cut helps prevent pinching of the saw chain or the guide bar when you make the second notch.

2. **Make the felling cut (28) no less than 2 in. (50 mm) or higher than the level notching cut. Make sure that this cut:**
 - a) Is parallel to the level notching cut.
 - b) Keeps sufficient wood 2 in. (50 mm) or 1/10 the diameter of the tree to become a hinge (29) which prevents the tree from twisting and felling in the wrong direction.
- When the felling cut (28) gets near the hinge (29), the tree falls. Stop the felling cut if the tree:
- Does not fall in the correct direction or
 - Moves backwards, causing the cutting bar and chain to become stuck in the cut.
3. **Use felling wedge to open the cut and let the tree fall in the correct direction.**
 4. **When the tree starts to fall:**
 - a) Remove the chainsaw from the cut.
 - b) Stop the machine.
 - c) Put the machine down.
 - d) Move away from the tree via the escape path (25). Always keep watching the tree to see the direction of fall. Be careful with overhead branches and your footing.

9.7 LIMB A TREE



Limbing is the removal of the branches from a fallen tree.

1. Keep the larger lower branches to hold the log off the ground (31).
2. Remove the small limbs (30) in one cut.
3. Limb the branches with tension from the bottom to top.
4. Keep the larger lower branches as a support until the log is limbed.

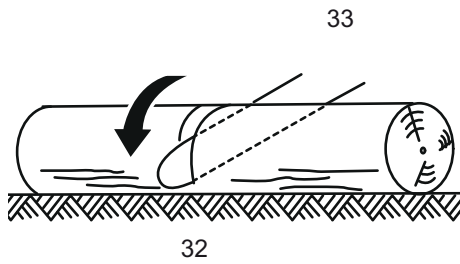
9.8 BUCK A LOG

To buck is to cut a log into lengths.

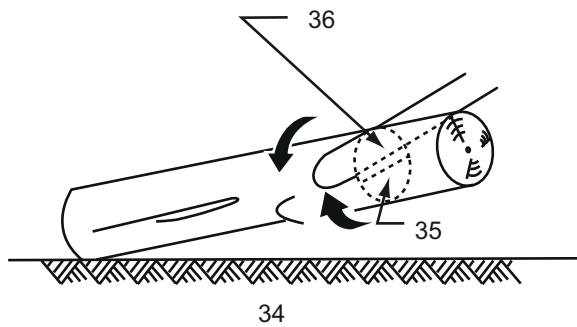
▲ CAUTION

Do not let the chainsaw touch the ground.

It is important to make sure your footing is secure and your weight is evenly distributed. If possible, lift the log and hold it with branches, logs or chock. Obey the instructions below:

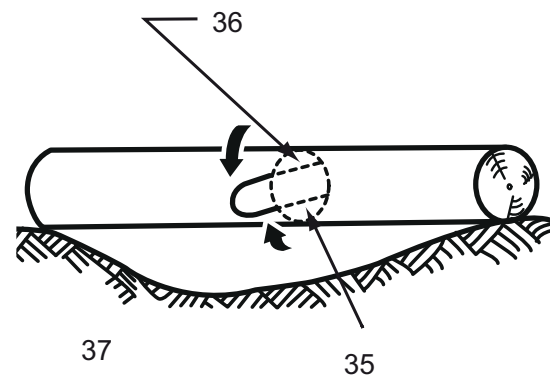


When the log is held along the full length (32), cut it from the top (33).



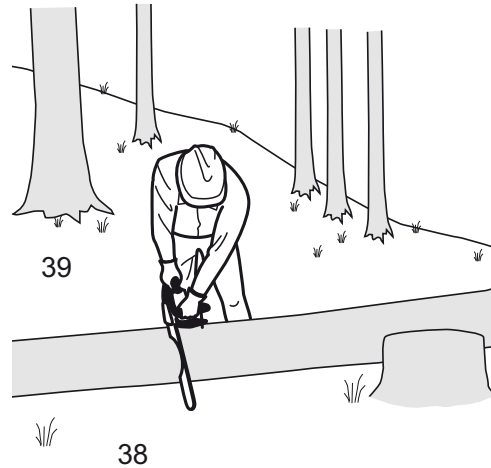
When the log is held on one end (34):

1. Cut the first time 1/3 of the diameter from the bottom (35).
2. Cut the second time from the top (36) to complete the bucking.



When the log is held on two ends (37):

1. Cut the first time 1/3 of the diameter from the top (36).
2. Cut the second time lower 2/3 from the bottom to complete the bucking (35).



When the log is on a slope:

1. Stand on the uphill side.
2. Control the chainsaw completely.
3. Hold the chainsaw handles tightly.
4. Release the cutting pressure near the end of the cut.

When bucking is complete (38):

1. Wait for the chain to stop (39).
2. Ensure the chainsaw is turned off.
3. Check for hazards before you move to another tree.

10 MAINTENANCE

▲ CAUTION

Do not let brake fluids, gasoline, petroleum-based materials touch the plastic parts. Chemicals can cause damage to the plastic, and make the plastic unserviceable.

▲ CAUTION

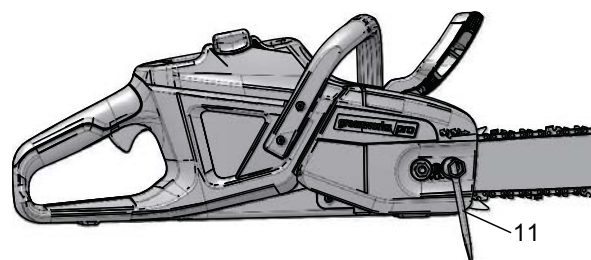
Do not use strong solvents or detergents on the plastic housing or components.

▲ WARNING

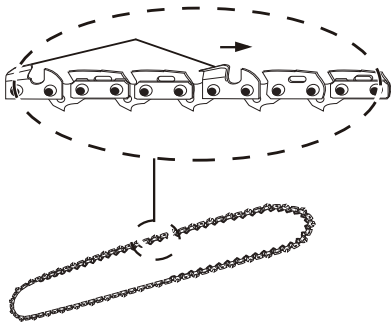
Remove the battery pack from the machine before maintenance.

10.1 REPLACE THE GUIDE BAR AND THE CHAIN

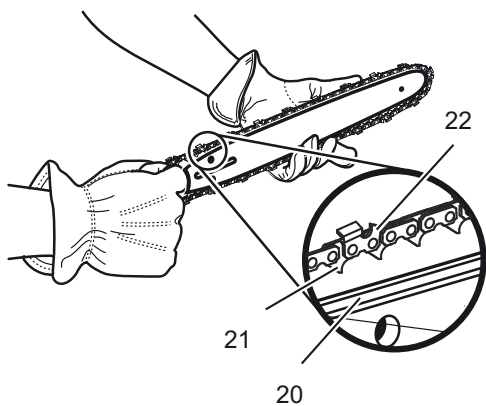
1. Remove the chain cover nuts with the wrench (11).
2. Remove the chain cover.



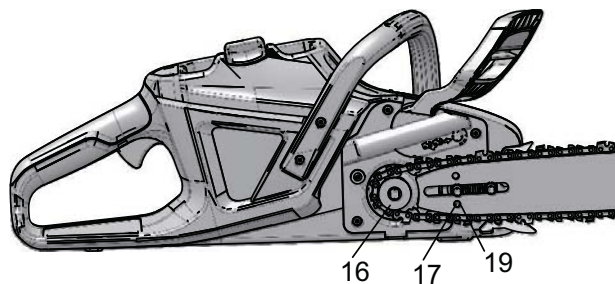
- Put the chain drive links (21) into the bar groove (20).
- Put the chain cutters (22) in the direction of the chain operation.



- Put the chain in position and make sure that the loop is behind the guide bar.
- Hold the chain and bar.



- Put the chain loop around the sprocket (16).
- Make sure the chain tension pin hole (19) on the guide bar fits correctly with the bolt (17).



- Install the chain cover.
- Tighten the chain. Refer to *Adjust the chain tension*.
- Tighten the nuts when the chain is correctly tensioned.

i NOTE

If you start the chain saw with a new chain, have a test for 2-3 minutes. A new chain gets longer after the first use, examine the tension and tighten the chain if necessary.

10.2 ADJUST THE CHAIN TENSION

The more you use a chain the longer it becomes. It is therefore important to adjust the chain regularly to take up the slack.

Tension the chain so that it can only just be pulled away from the bar at its centre point.

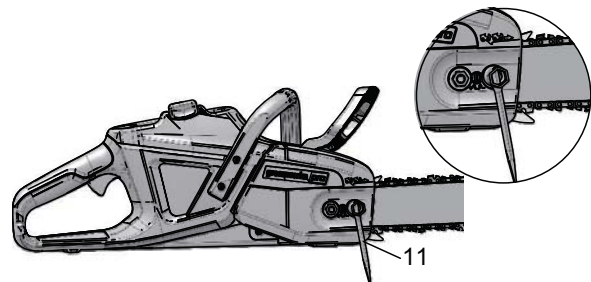
▲ WARNING

A slack chain may jump off and cause serious or even fatal injury.

▲ CAUTION

Wear protective gloves if you touch the chain, bar or areas around the chain.

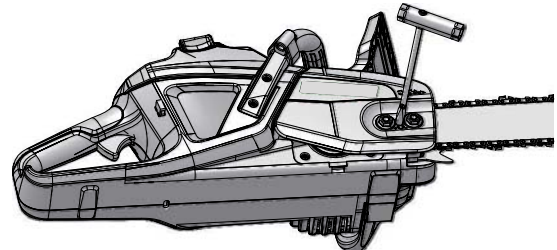
- Stop the machine.
- Loosen the lock nuts with the wrench.



i NOTE

It is not necessary to remove the chain cover to adjust the chain tension.

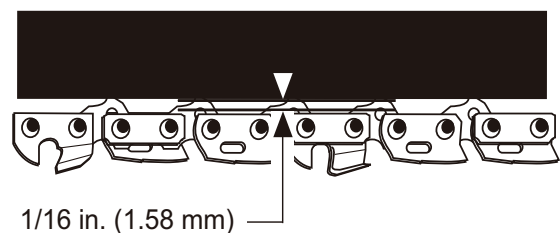
- Turn the chain adjustment screw clockwise to increase the chain tension.
- Turn the chain adjustment screw counterclockwise to decrease the chain tension.



- When the chain is at the wanted tension, tighten the lock nuts.

i NOTE

During normal saw operation, the temperature of the chain increases. The drive links of a correctly tensioned warm chain will hang approximately 1/16 in. (1.58 mm) out of the bar groove.



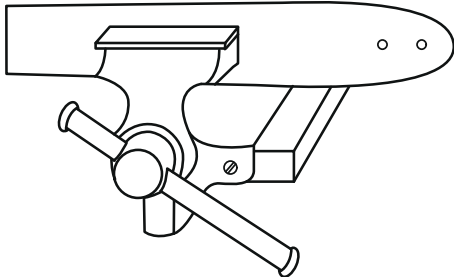
10.3 SHARPEN THE CUTTERS

Sharpen the cutters if chain does not go into wood easily.

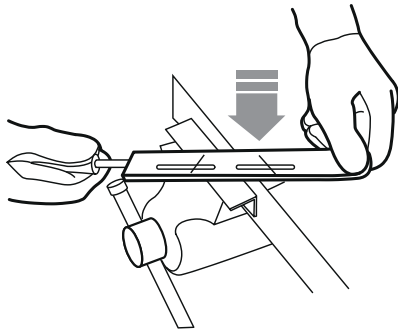
i NOTE

We recommend that a service center, which has an electric sharpener, perform important sharpening work.

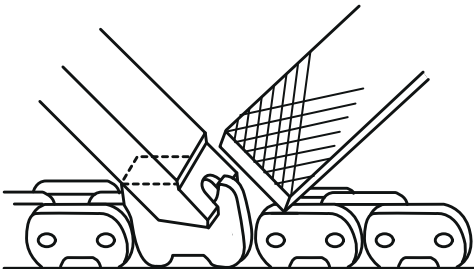
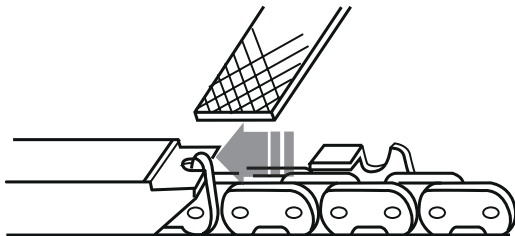
1. Tensioning chain.



2. Sharpen the cutters corner with a 5/32 in. (4 mm) diameter round file .



3. Sharpen the top plate, side plate and depth gauge with a flat file.



4. File all the cutters to the specified angles and the same length.

i NOTE

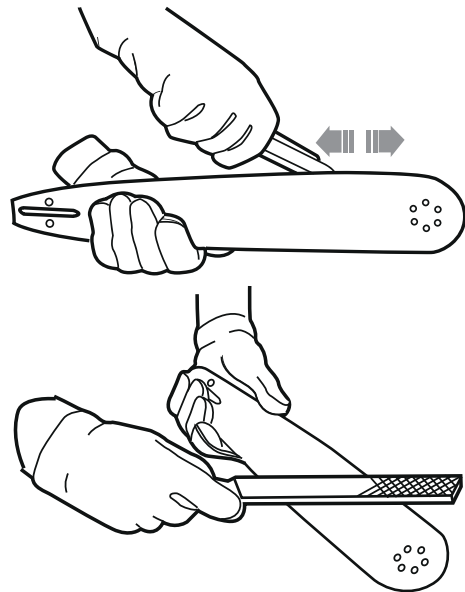
During the process:

- Keep the file flat with the surface to be sharpened.
- Use the midpoint of the file bar.
- Use light but firm pressure when sharpening the surface.
- Lift the file away on each return stroke.
- Sharpen the cutters on one side and then move to the other side.

Replace the chain if:

- The length of the cutting edges is less than 1/5 in. (5 mm).
- There is too much space between the drive links and the rivets.
- The cut speed is slow.
- Sharpening the chain many times but it does not increase the cutting speed. The chain is worn.

10.4 GUIDE BAR MAINTENANCE



i NOTE

Make sure that the bar is turned over periodically to keep symmetrical wear on the bar.

1. Lubricate the bearings on the nose sprocket (if present) with the syringe (not included).
2. Clean the bar groove with the scraping hook (not included).
3. Clean the lubrication holes.
4. Remove burr from the edges and level the cutters with a flat file.

Replace the bar if:

- the groove does not fit with the height of the drive links (which must never touch the bottom).
- the inside of the guide bar is worn and makes the chain lean to one side.

11 TRANSPORTATION AND STORAGE

Before you move the machine, always

- Remove the battery pack from the machine.
- Keep hands clear of the lock-out button.
- Put the scabbard on the guide bar and the chain.

Before you put the machine into storage, always

- Remove all residual oil from the machine.
- Remove the battery pack from the machine.
- Clean all unwanted material from the machine.
- Make sure that the storage area is
 - Not available to children.
 - Away from agents which can cause corrosion, such as garden chemicals and de-icing salts.

12 TROUBLESHOOTING

Problem	Possible cause	Solution
The guide bar and the chain become hot and release smoke.	The chain is too tight.	Adjust the chain tension.
	The oil tank is empty.	Add oil.
	Contamination causes a blockage of the discharge port.	Remove the guide bar and clean the discharge port.
	Contamination causes a blockage of the oil tank.	Clean the oil tank. Add new oil.
	Contamination causes a blockage of the guide bar and the oil tank cap.	Clean the guide bar and the oil tank cap.
	Contamination causes a blockage of the sprocket or guide wheels.	Clean the sprocket and the guide wheels.

Problem	Possible cause	Solution
The motor runs but the chain does not rotate.	The chain is too tight.	Adjust the chain tension.
	The guide bar and the chain are damaged.	Replace the guide bar and the chain if it is necessary.
The motor is damaged.		<ol style="list-style-type: none"> 1. Remove the battery pack from the machine. 2. Remove the guide bar cover. 3. Remove the bar and saw chain. 4. Clean the machine. 5. Install battery pack and operate the machine. <p>If the sprocket rotates, it means the motor works properly. If not, call service center.</p>
The motor runs and the chain rotates, but the chain does not cut.	The chain is blunt.	Sharpen or replace the saw chain.
	The chain is in the incorrect direction.	Turn the chain loop to the other direction.
	The chain is tight or loose.	Adjust the chain tension.

Problem	Possible cause	Solution
The machine does not start.	The chain brake is engaged.	Pull the chain brake in the direction of the user to disengage it.
	The machine and battery are not connected correctly.	Make sure that the battery release button clicks when you install the battery pack.
	The battery level is low.	Charge the battery pack.
	The lock out button and the trigger are not pushed at the same time.	1. Push the lock-out button and hold it. 2. Push the trigger to start the machine.
	The battery is too hot or too cold.	Refer to battery and charger manual.
The motor runs, but the chain does not cut correctly, or the motor stops after around 3 seconds.	The machine is in the protection mode to protect the PCB.	Release the trigger and start the machine again. Do not force the machine to cut.
	The battery is not charged.	Charge the battery. Refer to the battery and charger manual for correct charging procedures.
	The chain is not lubricated.	Lubricate the chain to decrease the friction. Do not let the guide bar and the chain operate without sufficient oil.
	Incorrect battery storage temperature	Cool the battery pack until it decreases to the ambient temperature.
The machine has stopped working to protect internal circuits.	Operating temperature of the machine is too high.	Move the machine to a cool, dry location. Let rest for 5-10 minutes at least. If the protection is frequent, extend the cooling time.

13 TECHNICAL DATA

Voltage	60 V DC
No load speed	20 m/s
Guide bar length	18" (457 mm)
Chain pitch	3/8" LP (9.5 mm)
Chain gauge	.050" (1.27 mm)
Drive links	62
Chain oil capacity	230 ml
Weight (without battery pack)	9.3 lbs (4.2 kg)
Chain	91P062X
Guide bar	180SDEA041
Battery model	LB604 and other BAC series
Charger model	CAC801 and other CAC series

The recommended ambient temperature range:

Item	Temperature
Appliance storage temperature range	32°F (0°C) - 113°F (45°C)
Appliance operation temperature range	32°F (0°C) - 113°F (45°C)
Battery charging temperature range	39°F (4°C) - 104°F (40°C)
Charger operation temperature range	39°F (4°C) - 104°F (40°C)
Battery storage temperature range	32°F (0°C) - 113°F (45°C)
Battery discharging temperature range	32°F (0°C) - 113°F (45°C)

14 LIMITED WARRANTY



Greenworks hereby warrants this product, to the original purchaser with proof of purchase, for a period of four (4) years against defects in materials, parts or workmanship. Greenworks, at its own discretion will repair or replace any and all parts found to be defective, through normal use, free

of charge to the customer. This warranty is valid only for units which have been used for personal use that have not been hired or rented for industrial/commercial use, and that have been maintained in accordance with the instructions in the owners' manual supplied with the product from new.

ITEMS NOT COVERED BY WARRANTY:

- 1. Any part that has become inoperative due to misuse, commercial use, abuse, neglect, accident, improper maintenance, or alteration; or
- 2. The unit, if it has not been operated and/or maintained in accordance with the owner's manual; or
- 3. Normal wear, except as noted below;
- 4. Routine maintenance items such as lubricants, blade sharpening;
- 5. Normal deterioration of the exterior finish due to use or exposure.

HELPLINE:

Warranty service is available by calling our toll-free helpline, at 1-855-345-3934.

TRANSPORTATION CHARGES:

Transportation charges for the movement of any power equipment unit or attachment are the responsibility of the purchaser. It is the purchaser's responsibility to pay transportation charges for any part submitted for replacement under this warranty unless such return is requested in writing by Greenworks.

USA address:

Greenworks Tools
P.O. Box 1238

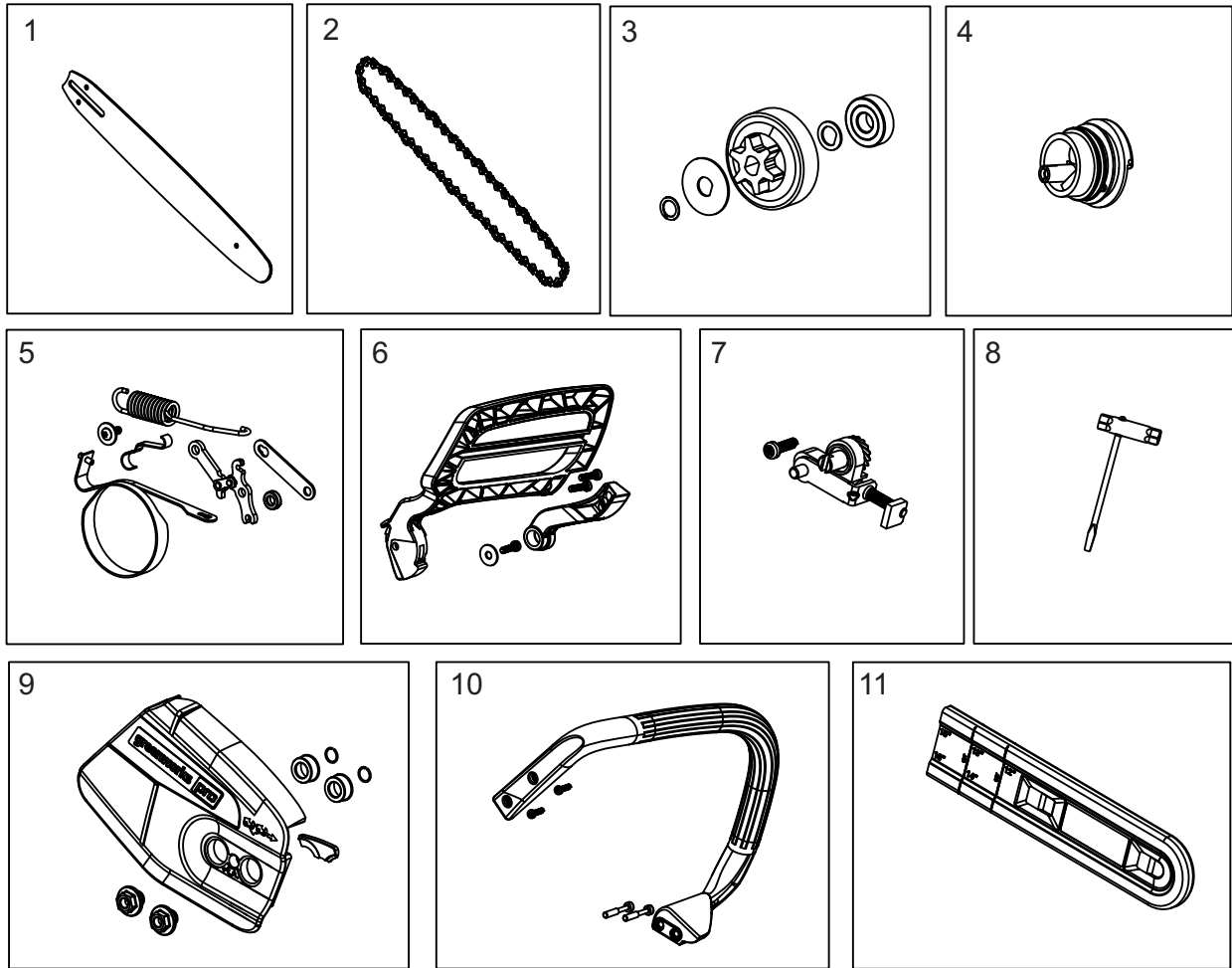
Mooresville, NC 28115

Canadian address:

Greenworks Tools Canada Inc.
P.O. Box 93095, Newmarket,
Ontario

L3Y 8K3

15 EXPLODED VIEW



No	Part No.	Qty	Description	No	Part No.	Qty	Description
1	R0201872-00	1	Bar	7	R0200896-00	1	Tensioner Kit
2	RB322041075	1	Chain	8	RB333001890	1	Wrench
3	R0200302-00	1	Sprocket Kit	9	R0202163-00	1	Sprocket Cover Assembly
4	R0200303-00	1	Oil Cap Assembly	10	R0200306-00	1	Auxiliary Handle Kit
5	R0201868-00	1	Chain Brake Kit	11	RB341182031B	1	Scabbard
6	R0200009-00	1	Chain Brake Handle				

1	Description.....	19	8	Installation.....	24
1.1	But.....	19	8.1	Déballer la machine.....	24
1.2	Aperçu.....	19	8.2	Ajouter le lubrifiant du guide-chaîne et chaîne.....	24
1.3	Liste du contenu de l’emballage.....	19	8.3	Installer le bloc-batterie.....	24
2	Avertissements généraux de sécurité des outils électriques.....	19	8.4	Retirer le bloc-batterie.....	24
2.1	Sécurité de la zone de travail.....	19	9	Utilisation.....	25
2.2	Sécurité électrique.....	19	9.1	Examiner la lubrification de la chaîne.....	25
2.3	Sécurités des personnes.....	20	9.2	Tenir la machine.....	25
2.4	Utilisation et entretien des outils électriques... 20		9.3	Démarrer la machine.....	25
2.5	Utilisation et entretien de l’outil à batterie.....	20	9.4	Arrêter la machine.....	25
2.6	Service.....	21	9.5	Actionner le frein de la chaîne.....	25
3	Instructions de sécurité concernant les scies à chaîne.....	21	9.6	Abattre un arbre.....	25
3.1	Avertissements de sécurité généraux concernant les scies à chaîne :.....	21	9.7	Ébrancher un arbre.....	26
3.2	Causes et prévention du recul de l’opérateur :.....	22	9.8	Couper une bûche.....	26
4	Symboles figurant sur la machine.....	22	10	Entretien.....	27
5	Niveaux de risques.....	22	10.1	Assemblage du guide-chaîne et de la chaîne... 27	
6	Élimination des batteries sans danger pour l’environnement.....	23	10.2	Régler la tension de la chaîne.....	28
7	Proposition 65.....	23	10.3	Affûter les dents.....	28
			10.4	Entretien du guide-chaîne.....	29
			11	Transport et entreposage.....	29
			12	Dépannage.....	30
			13	Données techniques.....	31
			14	Garantie limitée.....	32
			15	Vue éclatée.....	33

1 DESCRIPTION

1.1 BUT

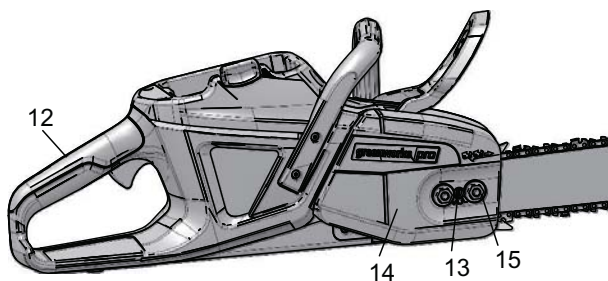
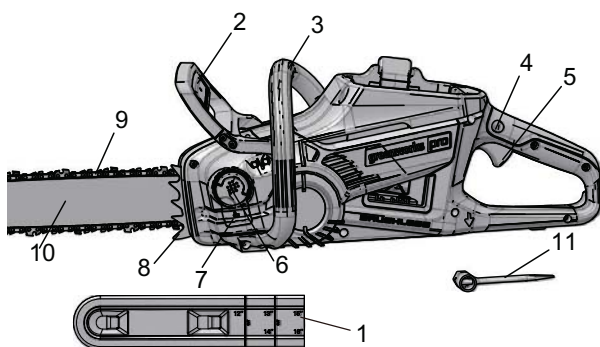
Cette scie à chaîne est conçue pour la coupe de branches, troncs, grumes et poutres d'un diamètre déterminé par la longueur de coupe du guide-chaîne. Elle est uniquement conçue pour couper du bois.

Elle ne doit être utilisée qu'à l'extérieur, à des fins domestiques, par des adultes.

N'utilisez pas la scie à chaîne à des fins autres que celles mentionnées ci-dessus.

Cette scie à chaîne ne doit pas être utilisée pour les travaux professionnels sur les arbres. Elle ne doit pas être utilisée par des enfants ou par des personnes ne portant pas un équipement et des vêtements de protection individuelle adéquats.

1.2 APERÇU



1 Fourreau	9 Chaîne
2 Frein de chaîne	10 Guide-chaîne
3 Poignée avant	11 Clé
4 Bouton de verrouillage	12 Poignée arrière
5 Gâchette	13 Vis de tension de chaîne
6 Capuchon d'huile	14 Couvre-chaîne
7 Fenêtre d'huile	15 Écrous du couvre-chaîne
8 Pointes de coupe	

1.3 LISTE DU CONTENU DE L'EMBALLAGE

1 Scie à chaîne	3 Manuel
2 Fourreau	4 Clé

2 AVERTISSEMENTS GÉNÉRAUX DE SÉCURITÉ DES OUTILS ÉLECTRIQUES

▲ AVERTISSEMENT

Lisez tous les avertissements de sécurité, toutes les instructions, illustrations et toutes spécifications fournis avec cet outil électrique. Le non-respect de ces instructions peut entraîner un choc électrique, un incendie et/ou des blessures graves.

Conservez tous les avertissements et instructions pour référence ultérieure.

Le terme « outil électrique » dans les avertissements fait référence à votre outil électrique (sans fil) fonctionnant sur batterie.

2.1 SÉCURITÉ DE LA ZONE DE TRAVAIL

- **Gardez la zone de travail propre et bien éclairée.** Les endroits encombrés ou sombres favorisent les accidents.
- **N'utilisez pas les outils électriques dans des environnements explosifs, par exemple en présence de liquides, gaz ou poussières inflammables.** La mise en marche des outils électriques crée des étincelles qui peuvent enflammer la poussière ou les vapeurs.
- **Tenez les enfants et les curieux à l'écart lorsque vous utilisez un outil électrique.** Les distractions peuvent vous faire perdre le contrôle.

2.2 SÉCURITÉ ÉLECTRIQUE

- **Les prises de l'outil électrique doivent être compatibles avec la prise de courant. Ne modifiez jamais la prise d'aucune façon. N'utilisez pas d'adaptateur de prise avec des outils à prise de terre.** Des prises non modifiées et leurs prises de courant respectives réduisent les risques de choc électrique.
- **Évitez que le corps n'entre en contact avec des surfaces mises à la terre comme les tuyaux, les radiateurs, les cuisinières et les réfrigérateurs.** Il y a un risque accru de choc électrique si votre corps est en contact avec la terre.
- **N'exposez pas les outils électriques à des conditions humides ou mouillées.** L'eau qui pénètre dans un outil électrique augmente le risque de choc électrique.
- **N'abusez pas du cordon. N'utilisez jamais le câble pour porter, tirer ou débrancher l'outil. Éloignez le cordon de la chaleur, de l'huile, des bords tranchants ou des pièces mobiles.** Les cordons endommagés augmentent le risque d'un choc électrique.
- **Lorsque vous utilisez un outil électrique en extérieur, utilisez une rallonge de câble adaptée à l'usage en extérieur.** Utiliser un câble adapté à un usage en extérieur réduit le risque de choc électrique.

- **Si vous ne pouvez éviter d'utiliser l'outil dans un environnement humide, utilisez une alimentation protégée à courant différentiel.** *Le respect de cette règle réduira le risque de chocs électriques.*

2.3 SÉCURITÉS DES PERSONNES

- **Restez vigilant, soyez attentif à ce que vous faites et faites preuve de bon sens lorsque vous utilisez un outil électrique. N'utilisez pas l'appareil lorsque vous êtes fatigué, sous l'emprise de l'alcool ou de drogues ou après avoir pris des médicaments.** *Un moment d'inattention lors de l'utilisation d'un outil électrique peut provoquer des blessures corporelles graves.*
- **Utilisez de l'équipement de protection individuelle. Portez toujours des lunettes de protection.** *L'utilisation d'équipement de protection adapté aux conditions de travail (masque antipoussière, chaussures de sécurité antidérapantes, casque et protections auditives etc.) permet de réduire les risques de blessures corporelles.*
- **Évitez tout démarrage accidentel. Assurez-vous que l'interrupteur est en position d'arrêt avant de brancher l'outil à la source d'alimentation ou à la batterie et quand vous soulevez ou transportez l'outil.** *Transporter un outil électrique avec un doigt sur l'interrupteur ou le brancher sur une alimentation électrique alors que son interrupteur est en position marche favorise les accidents.*
- **Retirez les clefs de réglage et de serrage avant de mettre l'outil en marche.** *Une clef de réglage ou de serrage restée sur une pièce en rotation de l'outil électrique peut entraîner des blessures corporelles.*
- **Ne vous penchez pas trop en avant. Gardez un bon équilibre en tout temps.** *Ceci permet un meilleur contrôle de l'outil électrique dans des situations inattendues.*
- **Habillez-vous correctement. Ne portez pas de vêtements amples ou de bijoux. Veillez à ne pas approcher vos cheveux, vos vêtements et vos gants des pièces en mouvement.** *Les vêtements amples, les bijoux et les cheveux longs peuvent se prendre dans les pièces en mouvement.*
- **Si un appareil est conçu pour être utilisé avec des dispositifs d'extraction et de récupération des poussières, veillez à ce que ces dispositifs soient bien raccordés et correctement utilisés.** *L'utilisation de dispositifs de récupération des poussières permet de réduire les risques liés aux poussières.*
- **Ne laissez pas l'habitude des fréquentes utilisations vous faire oublier et ignorer les principes de sécurité.** *Une action négligente peut provoquer de graves blessures en une fraction de seconde.*

2.4 UTILISATION ET ENTRETIEN DES OUTILS ÉLECTRIQUES

- **Ne forcez pas l'outil électrique. Utilisez l'outil électrique adapté à votre application.** *L'outil*

électrique approprié fera mieux le travail et sera plus sécuritaire au rythme pour lequel il a été conçu.

- **N'utilisez pas l'outil électrique si l'interrupteur ne le met pas en marche ou à l'arrêt.** *Tout outil électrique qui ne peut pas être contrôlé avec l'interrupteur est dangereux et doit être réparé.*
- **Débranchez la prise de la source d'alimentation et/ou retirez le bloc-BATTERIE de l'outil électrique, si amovible, avant d'effectuer des réglages, de changer d'accessoire ou de ranger l'outil.** *De telles mesures de sécurité préventives réduisent le risque d'un démarrage accidentel de l'outil électrique.*
- **Rangez les outils électriques inutilisés hors de portée des enfants et ne laissez pas des personnes qui ne se sont pas familiarisées avec l'outil électrique ou ces instructions l'utiliser.** *Les outils électriques sont dangereux entre les mains des utilisateurs non formés.*
- **Entretenez les outils électriques et les accessoires. Vérifier qu'aucune pièce mobile n'est mal alignée, grippée ou brisée et soyez attentif à toute autre condition qui pourrait affecter le fonctionnement de l'outil électrique. Si il est endommagé, faites réparer l'outil électrique avant de l'utiliser.** *De nombreux accidents sont causés par des outils électriques mal entretenus.*
- **Garder les outils de coupe propres et tranchants.** *Les outils de coupe bien entretenus avec des bords tranchants sont moins susceptibles de se coincer et sont plus faciles à contrôler.*
- **Utilisez l'outil électrique, les accessoires, les mèches, etc. conformément à ces instructions, en tenant compte des conditions de travail et des travaux à effectuer.** *L'utilisation de l'outil motorisé pour des opérations différentes de celles prévues pourrait entraîner une situation dangereuse.*
- **Veillez à ce que les poignées restent propres, sèches et exemptes d'huile et de graisse.** *Les poignées et surfaces de prise glissantes ne permettent pas de manipuler et de contrôler l'outil dans des situations inattendues.*

2.5 UTILISATION ET ENTRETIEN DE L'OUTIL À BATTERIE

- **Rechargez uniquement avec le chargeur spécifié par le fabricant.** *Un chargeur adapté à un type de bloc-batterie peut créer un risque d'incendie lorsqu'il est utilisé avec un autre bloc-batterie.*
- **Utilisez les outils électriques uniquement avec des batteries spécialement conçues à cet effet.** *L'utilisation de tous autres bloc-batteries peut créer un risque de blessure et d'incendie.*
- **Lorsque la batterie n'est pas utilisée, éloignez-la des autres objets métalliques tels qu'attaches trombones, pièces de monnaie, clés, clous, vis ou autres petits objets métalliques qui peuvent établir une connexion d'une borne à une autre.** *Le court-circuitage des bornes de la batterie peut provoquer des brûlures ou un incendie.*

- **Dans des conditions abusives, du liquide peut être éjecté de la BATTERIE. Évitez tout contact. En cas de contact accidentel, rincez avec de l'eau. En cas de contact avec les yeux, consultez également un médecin.** *Le liquide s'échappant de la BATTERIE peut causer des irritations ou des brûlures.*
- **N'utilisez pas un bloc-batterie ou un outil endommagé ou modifié.** *Les batteries endommagées ou modifiées peuvent présenter un fonctionnement imprévisible et provoquer un incendie, une EXPLOSION ou un risque de blessure.*
- **N'exposez pas un bloc-batterie ou un outil au feu ou à une température excessive.** *L'exposition au feu ou une température supérieure à 130°C peut provoquer une explosion.*
- **Suivez toutes les instructions de recharge et ne rechargez pas la batterie ou l'outil en dehors de la plage de température spécifiée dans ces instructions.** *Un rechargement incorrect ou à des températures en dehors de la plage spécifiée peut endommager la batterie et augmenter le risque d'incendie.*

2.6 SERVICE

- **Faites effectuer l'entretien de votre outil électrique par un réparateur qualifié en n'utilisant que des pièces de rechange identiques.** *Cela garantira le maintien de la sécurité de l'outil électrique.*
- **Ne réparez jamais un bloc-batterie endommagé.** *L'entretien d'un bloc-batterie ne doit être effectué que par le fabricant ou des fournisseurs de service agréés.*

3 INSTRUCTIONS DE SÉCURITÉ CONCERNANT LES SCIES À CHAÎNE

3.1 AVERTISSEMENTS DE SÉCURITÉ GÉNÉRAUX CONCERNANT LES SCIES À CHAÎNE :

- **Veillez à ce qu'aucune partie du corps ne s'approche de la chaîne lorsque la scie à chaîne est en marche. Avant de démarrer la scie à chaîne, vérifiez que la chaîne n'est en contact avec aucun objet.** *Lors de l'utilisation d'une scie à chaîne, un simple moment d'inattention suffit pour que vos vêtements se prennent dans la chaîne ou qu'une partie de votre corps entre en contact avec celle-ci.*
- **Tenez toujours la scie à chaîne avec la main droite sur la poignée arrière et la main gauche sur la poignée avant.** *Le fait de tenir la scie à chaîne avec les mains en position inversée augmente le risque de blessure corporelle et doit donc être évité absolument.*
- **Tenez toujours la scie à chaîne par ses poignées isolantes. La chaîne peut à tout moment entrer en contact avec un fil électrique caché ou son propre cordon.** *Si une chaîne entre en contact avec un fil électrique sous tension, les parties métalliques non*

carénées de la scie à chaîne peuvent se retrouver sous tension et l'opérateur risque d'être électrocuté.

- **Portez des lunettes de protection. Il est recommandé de porter des équipements de protection supplémentaires pour protéger l'ouïe, la tête, les mains, les jambes et les pieds.** *Des équipements de protection appropriés permettent de réduire les blessures corporelles pouvant se produire suite à la projection de débris ou à un contact accidentel avec la chaîne.*
- **Ne faites jamais fonctionner une scie à chaîne en vous tenant sur une échelle, un toit ou toute autre surface instable.** *L'utilisation d'une scie à chaîne d'une telle manière pourrait entraîner des blessures graves.*
- **L'utilisateur de la scie à chaîne doit toujours être debout sur une surface plane, fixe et stable, et doit toujours garder l'équilibre.** *Les surfaces instables ou glissantes risquent de vous faire perdre l'équilibre et le contrôle de la scie à chaîne.*
- **Quand vous coupez une branche sous tension, faites attention à l'effet de rebond.** *Au moment où la tension dans le bois se relâche, la branche risque d'être projetée et de frapper l'opérateur et/ou de lui faire perdre le contrôle de la scie à chaîne.*
- **Faites extrêmement attention quand vous coupez des broussailles ou de jeunes arbres.** *Le matériau fin peut se prendre dans la chaîne de l'outil, puis se rabattre violemment dans votre direction ou vous faire perdre l'équilibre.*
- **Portez la scie à chaîne en la tenant par la poignée avant, à distance de votre corps, et après vous être assuré qu'elle était bien éteinte. Remettez toujours le couvercle du guide-chaîne avant de transporter ou de ranger la scie à chaîne.** *Manipulez la scie à chaîne de manière appropriée afin de réduire les risques de contact accidentel avec la chaîne en rotation.*
- **Suivez les instructions pour lubrifier, tendre la chaîne et changer la barre et la chaîne.** *Si la chaîne est mal lubrifiée ou incorrectement tendue, elle peut se casser ou faire augmenter les risques de rebond.*
- **Ne coupez pas d'autre chose que du bois. N'utilisez pas la scie à chaîne pour effectuer une tâche pour laquelle elle n'est pas destinée. Par exemple : n'utilisez pas la scie à chaîne pour couper du métal, du plastique, des briques ou des matériaux de construction faits d'autres matières que du bois.** *Il est potentiellement dangereux d'utiliser la scie à chaîne pour un autre travail que celui pour lequel elle a été conçue.*
- **N'essayez pas d'abattre un arbre avant d'avoir compris les risques et la manière de les éviter.** *L'opérateur ou les passants pourraient subir de graves blessures lors de l'abattage d'un arbre.*
- **Cette scie à chaîne n'est pas destinée à l'abattage d'arbres.** *Utiliser la scie à chaîne pour un autre travail que celui pour lequel elle a été conçue pourrait entraîner des blessures graves pour l'opérateur ou des personnes se trouvant à proximité.*
- **N'utilisez pas de scie à chaîne dans un arbre si vous n'avez pas reçu une formation spécifique à cet effet.**

L'utilisation d'une scie à chaîne dans un arbre sans formation adéquate peut augmenter le risque de blessures graves.

- **Suivez toutes les instructions lorsque vous décoincez des matériaux, rangez ou entretenez la scie à chaîne. Assurez-vous que l'interrupteur est éteint et que le bloc-batterie est retiré.** Une mise en marche inattendue de la scie à chaîne lors de l'élimination de blocages ou de l'entretien peut entraîner des blessures graves.

3.2 CAUSES ET PRÉVENTION DU REcul DE L'OPÉRATEUR :

Le rebond peut survenir lorsque la chaîne en mouvement entre en contact avec un objet sur la portion supérieure du guide-chaîne, ou lorsque le bois se rétracte et coince la chaîne dans l'entaille.

Ceci entraîne un rebond, une réaction soudaine de la scie qui fait rebondir le guide-chaîne vers le haut et vers l'arrière, en direction de l'utilisateur.

Si la chaîne de la scie est coincée sur le dessus du guide-chaîne, ce dernier peut être dirigé rapidement vers l'utilisateur.

L'une ou l'autre de ces réactions peut entraîner une perte de contrôle de la scie, ce qui peut provoquer des blessures graves. Ne vous fiez pas exclusivement aux dispositifs de sécurité inclus avec votre scie. À titre d'utilisateur de la scie à chaîne, vous devez prendre plusieurs mesures afin d'effectuer votre travail sans vous blesser ni causer d'accident.

Le rebond est le résultat d'une mauvaise utilisation de l'outil et/ou de procédures ou de conditions d'utilisation incorrectes et peut être évité en prenant les précautions appropriées comme indiqué ci-dessous :











- **Tenez fermement la scie à chaîne à deux mains, les pouces et les doigts encerclant les poignées, et placez votre corps et vos bras de façon à résister aux forces de rebond.**

L'utilisateur peut contrôler les forces de rebond s'il prend des précautions appropriées. Ne lâchez pas la scie à chaîne.

- **Ne vous étirez pas pour étendre votre portée et ne coupez pas au-dessus des épaules.** Cette mesure aide à prévenir le contact accidentel de l'extrémité et offre une meilleure maîtrise de la scie à chaîne dans des situations inattendues.
- **Utilisez uniquement les guide-chaînes et les chaînes de remplacement précisés par le fabricant.** Les mauvais guide-chaînes et chaînes de remplacement pourraient causer un bris de la scie ou des rebonds.
- **Suivez les instructions du fabricant pour l'affûtage et l'entretien de la chaîne.** Réduire la hauteur du guide de profondeur peut augmenter les rebonds.


4 SYMBOLES FIGURANT SUR LA MACHINE



Certains des symboles suivants peuvent être utilisés sur ce produit. Veuillez les étudier et apprendre leur signification. Une bonne interprétation de ces symboles vous permettra de mieux utiliser le produit et de manière plus sécuritaire.

Symbole	Explication
	Courant continu - Type ou caractéristique du courant.
	Précautions destinées à assurer la sécurité.
	Lisez et comprenez toutes les instructions avant d'utiliser cette machine, et suivez tous les avertissements et les consignes de sécurité.
	Portez des lunettes enveloppantes et un casque anti-bruit.
	Ne pas exposer la machine à la pluie ou à l'humidité.
	Évitez le contact avec la pointe du guide-chaîne.
	Tenez toujours la machine à deux mains.
	DANGER ! Attention aux rebonds.
	Portez des gants antidérapants et résistants.
	Tenez tous les passants à une distance d'au moins 15 m (50 pi).

5 NIVEAUX DE RISQUES

Les termes de mise en garde suivants et leur signification ont pour but d'expliquer les niveaux de risques associés à l'utilisation de ce produit.

SYMBOLE	SIGNAL	SIGNIFICATION
	DANGER	Indique une situation dangereuse imminente qui, si elle n'est pas évitée, peut entraîner la mort ou des blessures graves.

SYM-BOLE	SIGNAL	SIGNIFICATION
	AVERTISSEMENT	Indique une situation potentiellement dangereuse qui, si elle n'est pas évitée, peut entraîner la mort ou des blessures graves.
	MISE EN GARDE	Indique une situation potentiellement dangereuse qui, si elle n'est pas évitée, pourrait causer des blessures mineures ou modérées.
	MISE EN GARDE	(Sans symbole d'alerte de sécurité) indique une situation pouvant entraîner des dommages matériels.

6 ÉLIMINATION DES BATTERIES SANS DANGER POUR L'ENVIRONNEMENT



Les matières toxiques et corrosives ci-dessous se trouvent dans les batteries utilisées dans cette machine : **Lithium-ion, une substance toxique.**

▲ AVERTISSEMENT

Éliminez toutes les substances toxiques d'une manière spécifiée afin de prévenir la contamination de l'environnement. Avant de jeter une batterie au lithium-ion endommagée ou usée, contactez votre agence locale d'élimination des déchets ou l'agence locale de protection de l'environnement pour obtenir des informations et des instructions spécifiques. Apportez les batteries à un centre local de recyclage ou d'élimination certifié pour l'élimination de batteries au lithium-ion.

▲ AVERTISSEMENT

Si la batterie se fend ou se brise, avec ou sans fuites, ne la rechargez pas et ne l'utilisez pas. Jetez-la et remplacez-la par une nouvelle batterie. **N'ESSAYEZ PAS DE LA RÉPARER !** Pour prévenir les blessures et les risques d'incendie, d'explosion ou de décharge électrique, et pour éviter tout dommage à l'environnement :

- Couvrez les bornes de la batterie avec du ruban adhésif résistant.
- **NE PAS** essayer d'enlever ou de détruire les composants de la batterie.
- **NE PAS** essayer d'ouvrir ou de réparer la batterie.
- En cas de fuite, les électrolytes rejetés sont corrosifs et toxiques. **NE laissez PAS** entrer la solution dans les yeux ou en contact avec la peau et ne l'avalez pas.
- **NE PAS** jeter vos batteries usagées dans votre poubelle à ordures ménagères.
- N'incinerez **PAS** les batteries.
- **NE LES** Mettez **PAS** dans un endroit où ils feront partie d'un site d'enfouissement de déchets ou d'un flux de déchets solides municipaux.
- Emmenez-les dans un centre de recyclage ou d'élimination certifié.

7 PROPOSITION 65

▲ AVERTISSEMENT

Ce produit contient un produit chimique connu dans l'état de Californie comme étant une cause de cancer, de malformations congénitales ou d'autres problèmes de reproduction. Certaines poussières produites par le ponçage mécanique, le sciage, le meulage, le perçage et d'autres activités de construction contiennent des produits chimiques connus pour causer le cancer, des malformations congénitales ou d'autres problèmes de reproduction. Voici quelques exemples de ces produits chimiques :

- Plomb provenant de peintures à base de plomb;
- Silice cristalline provenant de briques, de ciment et d'autres produits de maçonnerie;
- Arsenic et chrome provenant de bois traité chimiquement.

Votre risque d'exposition à ces produits chimiques varie selon la fréquence à laquelle vous faites ce type de travail. Pour réduire votre exposition à ces produits chimiques, travaillez dans un endroit bien ventilé et utilisez un équipement de sécurité approuvé, comme des masques anti-poussière spécialement conçus pour filtrer les particules microscopiques.

Conservez ces instructions.

8 INSTALLATION

▲ AVERTISSEMENT

Ne changez pas ou ne fabriquez pas des accessoires qui ne sont pas recommandés par le fabricant.

▲ AVERTISSEMENT

N'installez pas la batterie tant que vous n'avez pas assemblé toutes les pièces.

8.1 DÉBALLER LA MACHINE

▲ AVERTISSEMENT

Assurez-vous d'assembler correctement la machine avant de l'utiliser.

▲ AVERTISSEMENT

- Si les pièces de la machine sont endommagées, ne l'utilisez pas.
- Si vous n'avez pas toutes les pièces, n'utilisez pas la machine.
- Si des pièces sont endommagées ou manquantes, communiquez avec le centre de service.

1. Ouvrez l'emballage.
2. Lisez la documentation contenue dans la boîte.
3. Retirez toutes les pièces non assemblées de la boîte.
4. Retirez la machine de sa boîte.
5. Jetez la boîte et l'emballage conformément aux règlements locaux.

8.2 AJOUTER LE LUBRIFIANT DU GUIDE-CHAÎNE ET CHAÎNE

Vérifiez la quantité d'huile dans la machine. Si le niveau du lubrifiant est bas, ajoutez le lubrifiant du guide-chaîne et chaîne comme suit.

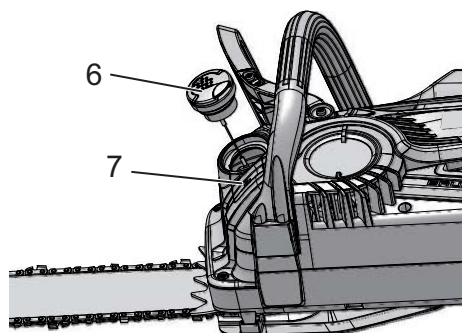
i IMPORTANT

Utilisez seulement le lubrifiant du guide-chaîne et chaîne

i REMARQUE

La machine sort de l'usine sans lubrifiant pour le guide-chaîne et la chaîne.

1. Desserrez et retirez le bouchon (6) du réservoir d'huile.

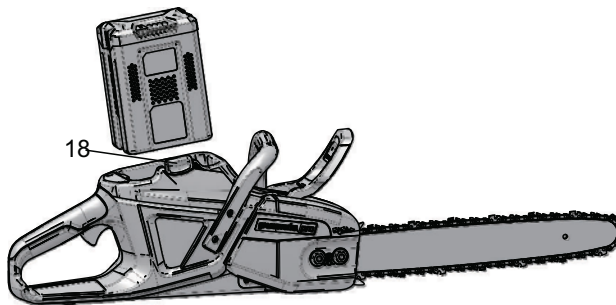


2. Versez de l'huile dans le réservoir d'huile.
3. Surveillez la fenêtre d'huile (7) pour vous assurer qu'il n'y a pas de saleté dans le réservoir d'huile pendant que vous ajoutez l'huile.
4. Placez le capuchon d'huile.
5. Serrez le capuchon d'huile.
6. La capacité du réservoir d'huile est d'environ 20 à 40 minutes.

i IMPORTANT

N'utilisez pas une huile sale, usagée ou contaminée. Le guide ou la chaîne peut être endommagé.

8.3 INSTALLER LE BLOC-BATTERIE



▲ AVERTISSEMENT

- Si le bloc-batterie ou le chargeur est endommagé, remplacez-le, au besoin.
- Arrêtez la machine et attendez que le moteur s'arrête avant d'installer ou de retirer le bloc-batterie.
- Lisez et comprenez les instructions du manuel du bloc-batterie et du chargeur.

1. Alignez les languettes du bloc-batterie avec les rainures du compartiment de batterie.
2. Poussez le bloc-batterie dans le compartiment de batterie jusqu'à ce qu'il soit bien encliqueté.
3. Vous devriez entendre un clic lorsque le bloc-batterie sera inséré correctement.

8.4 RETIRER LE BLOC-BATTERIE

1. Poussez et maintenez enfoncé le bouton de déblocage de la batterie (18).
2. Retirez le bloc-batterie de la machine.

9 UTILISATION

i REMARQUE

Retirez la batterie et éloignez les mains du bouton de verrouillage lorsque vous déplacez la machine.

i IMPORTANT

Examinez la tension de la chaîne avant chaque utilisation.

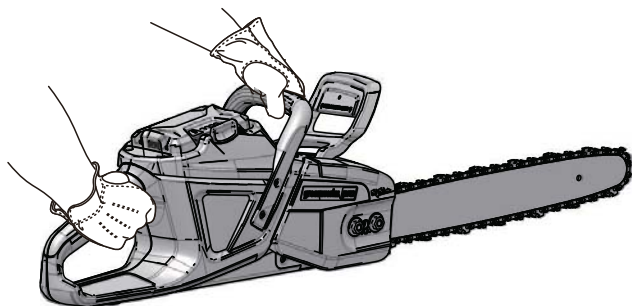
9.1 EXAMINER LA LUBRIFICATION DE LA CHAÎNE

i REMARQUE

N'utilisez pas la machine sans quantité suffisante de lubrifiant de chaîne.

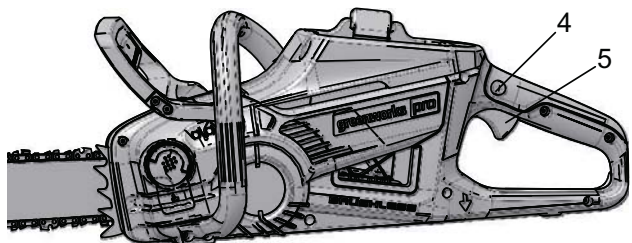
1. Vérifiez le niveau de lubrifiant de la machine à partir de l'indicateur d'huile.
2. Ajoutez de l'huile au besoin.

9.2 TENIR LA MACHINE



1. Tenez la scie à chaîne avec la main droite sur la poignée arrière et la main gauche sur la poignée avant.
2. Les doigts doivent entourer la poignée, le pouce étant passé au-dessous.
3. Assurez-vous que votre main gauche tient la poignée avant et que votre pouce est sous la poignée.

9.3 DÉMARRER LA MACHINE



1. Appuyez sur le bouton de verrouillage (4).
2. Appuyez sur la gâchette (5) pendant que vous maintenez le bouton de verrouillage de sécurité enfoncé.
3. Relâchez sur le bouton de verrouillage.

i IMPORTANT

Le frein de la chaîne doit être désengagé pour que la scie à chaîne démarre. Activez le frein en déplaçant le protège-main avant vers l'avant.

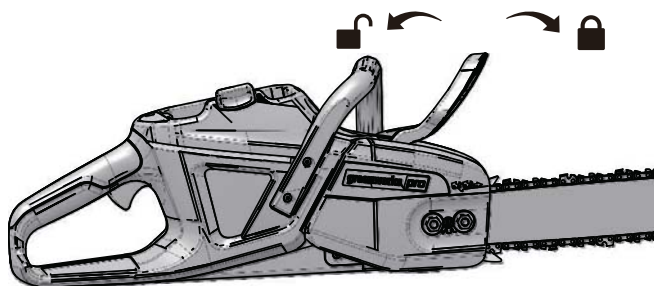
9.4 ARRÊTER LA MACHINE

1. Lâchez la gâchette pour arrêter la machine.

9.5 ACTIONNER LE FREIN DE LA CHAÎNE

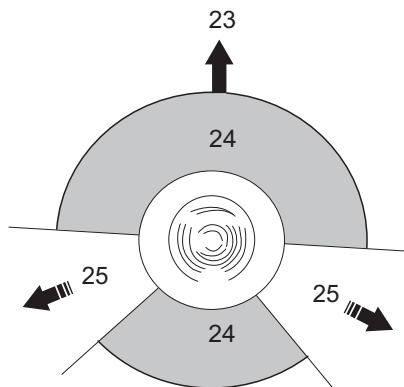
▲ AVERTISSEMENT

Assurez-vous que vos mains sont sur les poignées en tout temps.



1. Démarrez la machine.
2. Poussez la garde protectrice vers l'avant pour engager le frein de la chaîne.
3. Tirez la garde protectrice de la poignée / frein de la chaîne vers l'arrière pour désengager le frein de la chaîne.
4. Appelez un centre de service agréé pour la réparation avant toute utilisation si
 - Le frein de la chaîne n'arrête pas immédiatement la chaîne.
 - Le frein de la chaîne ne reste pas en position débrayée sans une intervention.

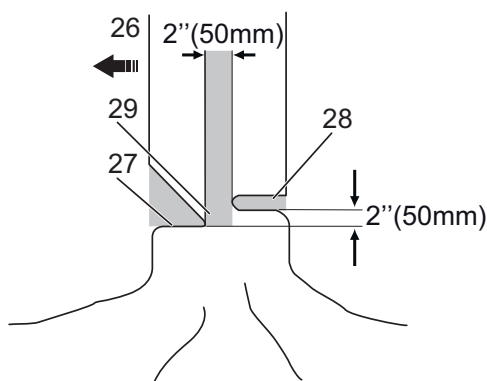
9.6 ABATTRE UN ARBRE



Recommandation : un utilisateur débutant doit, à tout le moins, couper des bûches sur un chevalet de sciage ou un appui.

Avant de commencer à couper un arbre, assurez-vous de ce qui suit :

- La distance minimale entre les zones de coupe et d'abattage où sont présentes deux ou plusieurs personnes en même temps est de deux fois la hauteur de l'arbre abattu.
- L'opération ne doit pas :
 - Causer des blessures corporelles.
 - Frapper les lignes des services publics. Si l'arbre touche les lignes des services publics, avertissez immédiatement la compagnie de services publics.
 - Causer des pertes matérielles.
- L'utilisateur ne se trouve pas dans la zone dangereuse (24), par exemple, du côté descendant de la zone.
- Les chemins de retraite (25) qui s'étendent en arrière et en diagonale derrière la direction d'abattage (23) sont dégagées. La direction de l'abattage est contrôlée par :
 - L'inclinaison naturelle de l'arbre.
 - L'emplacement des plus grandes branches.
 - La direction du vent.
- Assurez-vous qu'il n'y a pas de saleté, de pierres, d'écorce détachée, de clous et d'agrafes sur l'arbre.



1. **Effectuez une coupe d'entaille à un niveau inférieur (27). Veillez à ce que cette coupe couvre :**
 - a) 1/3 du diamètre de l'arbre.
 - b) Perpendiculaire à la direction de la chute.

▲ ATTENTION

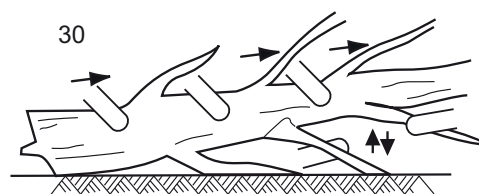
Le niveau de la coupe d'entaille permet d'éviter le pincement de la chaîne ou du guide-chaîne lorsque vous faites la deuxième entaille.

2. **Effectuez la coupe d'abattage (28) à au moins 2 po (50 mm) ou à un niveau supérieur à la coupe d'entaille. Assurez-vous que cette coupe :**
 - a) Est parallèle au niveau de la coupe d'entaille.
 - b) Conserve suffisamment de bois 2 po (50 mm) ou 1/10 du diamètre de l'arbre pour devenir une charnière (29) qui empêche l'arbre de gauchir et de s'abattre dans la mauvaise direction.

Lorsque la coupe d'abattage (28) s'approche de la charnière (29), l'arbre tombe. Arrêtez l'abattage si l'arbre :

- Ne tombe pas dans la bonne direction ou
 - Se déplace vers l'arrière, ce qui fait que la barre de coupe et la chaîne restent coincés dans la coupe.
3. **Ouvrez la coupe à l'aide d'une cale d'abattage et laissez l'arbre tomber dans la bonne direction.**
 4. **Lorsque l'arbre commence à tomber :**
 - a) Retirez la scie à chaîne de la coupe.
 - b) Arrêtez la machine.
 - c) Déposez la machine.
 - d) Éloignez-vous de l'arbre par la voie de retraite (25). Surveillez toujours l'arbre pour voir dans quelle direction il tombe. Faites attention aux branches aériennes et à vos pieds.

9.7 ÉBRANCHER UN ARBRE



31

L'ébranchage consiste à enlever les branches d'un arbre tombé.

1. Laissez les grosses branches inférieures qui soutiennent l'arbre afin que ce dernier ne soit pas directement au sol pendant la coupe (31).
2. Coupez les petites branches en une seule coupe (30).
3. Coupez les branches sous tension à partir du bas.
4. Gardez les grosses branches inférieures comme support jusqu'à ce que la bûche soit ébranchée.

9.8 COUPER UNE BÛCHE

La coupe consiste à couper une bûche en longueurs.

▲ ATTENTION

Ne laissez pas la scie à chaîne toucher le sol.

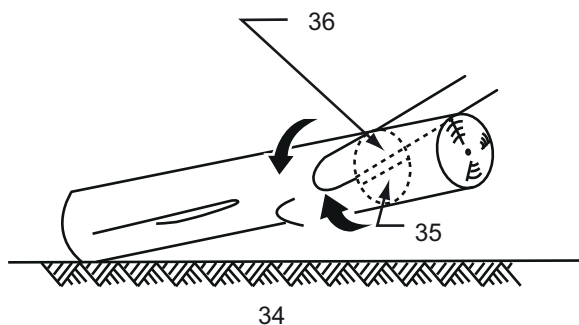
Il est important de vous assurer que votre appui est solide et que votre poids est réparti uniformément. Si c'est possible, soulevez la bûche et tenez-la avec des branches, des bûches ou une cale. Respectez les instructions ci-dessous :

33



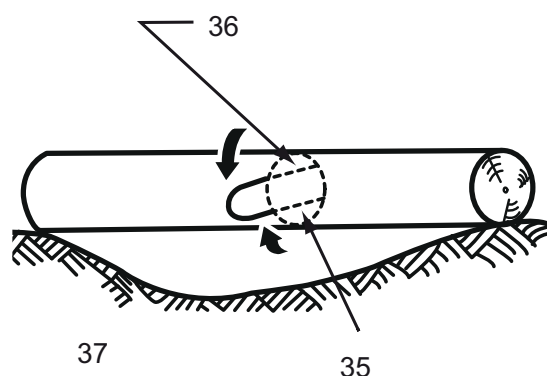
32

Lorsque la bûche est retenue sur toute sa longueur (32), coupez-la par le haut (33).



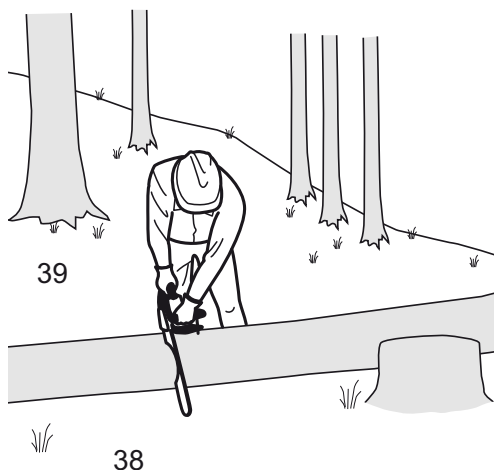
Lorsque la bûche est retenue par une extrémité (34):

1. Coupez la première fois le 1/3 du diamètre à partir du bas (35).
2. Coupez la deuxième fois à partir du haut (36) pour compléter la coupe.



Lorsque la bûche est retenue par les deux extrémités (37):

1. Coupez la première fois le 1/3 du diamètre à partir du haut (36).
2. Coupez la deuxième fois les 2/3 restants à partir du bas pour compléter la coupe (35).



Lorsque la bûche se trouve sur une pente:

1. Mettez-vous du côté élevé.
2. Contrôlez complètement la scie à chaîne.
3. Tenez fermement les poignées de la scie à chaîne.
4. Relâchez la pression de coupe vers la fin de la coupe.

Lorsque la coupe est terminée (38):

1. Attendez que la chaîne s'arrête (39).
2. Assurez-vous que la scie à chaîne est éteinte.
3. Avant de passer à un autre arbre, vérifiez s'il y a des dangers.

10 ENTRETIEN

▲ ATTENTION

Évitez que les liquides de freins, l'essence et les matériaux à base de pétrole ne viennent en contact avec les pièces en plastique. Les produits chimiques peuvent endommager le plastique et le rendre inutilisable.

▲ ATTENTION

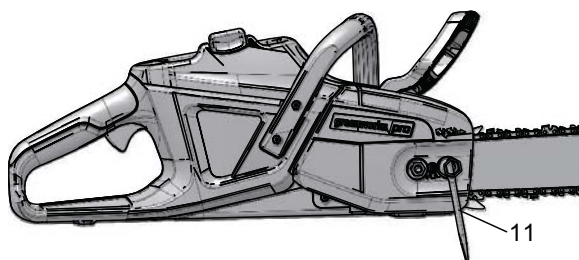
N'utilisez pas de solvants ou de détergents puissants sur le boîtier ou les composants en plastique.

▲ AVERTISSEMENT

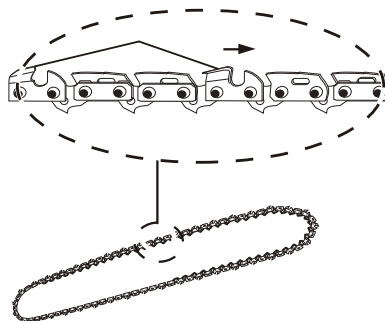
Retirez la batterie de la machine avant l'entretien.

10.1 ASSEMBLAGE DU GUIDE-CHAÎNE ET DE LA CHAÎNE

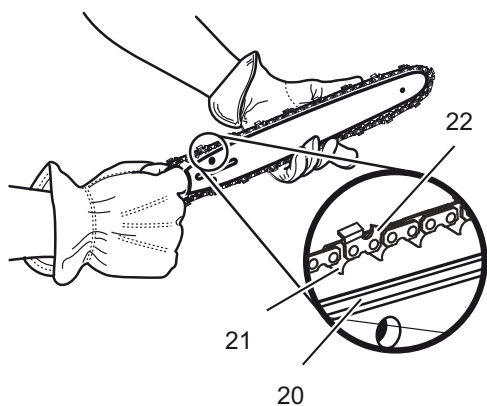
1. Retirez les écrous du couvre-chaîne en utilisant la clé (11).
2. Retirez le couvre-chaîne.



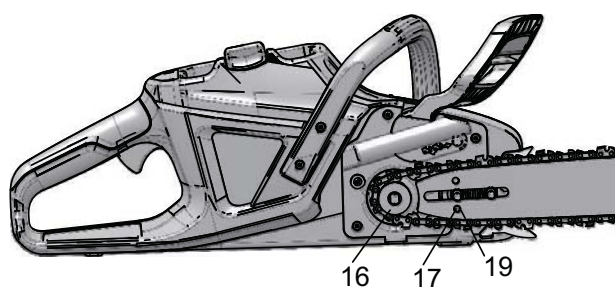
3. Placez les maillons d'entraînement de la chaîne (21) dans la rainure du guide-chaîne (20).
4. Placez les dents de la chaîne (22) dans le sens de la marche de la chaîne.



5. Mettez la chaîne en place et assurez-vous que la boucle est derrière le guide-chaîne.
6. Maintenez la chaîne en place et le guide-chaîne.



7. Placez la boucle de la chaîne autour du pignon (16).
8. Assurez-vous que le trou de la goupille de tension (19) de la chaîne sur le guide-chaîne s'ajuste correctement avec le boulon (17).



9. Installez le couvre-chaîne.
10. Serrez la chaîne. Reportez-vous à la section *Régler la tension de la chaîne*.
11. Serrez les écrous lorsque la chaîne est bien tendue.

i REMARQUE

Si vous démarrez la scie à chaîne avec une nouvelle chaîne, faites un test pendant 2-3 minutes. Les chaînes neuves ont tendance à s'étirer après la première utilisation. Vérifiez fréquemment la tension de la chaîne et ajustez-la au besoin.

10.2 RÉGLER LA TENSION DE LA CHAÎNE

Plus vous utilisez une chaîne, plus elle devient longue. Il est donc important de régler régulièrement la chaîne pour la rendre plus souple.

Tendez la chaîne de manière à ce qu'elle ne puisse être retirée du guide-chaîne qu'au niveau de son point central.

▲ AVERTISSEMENT

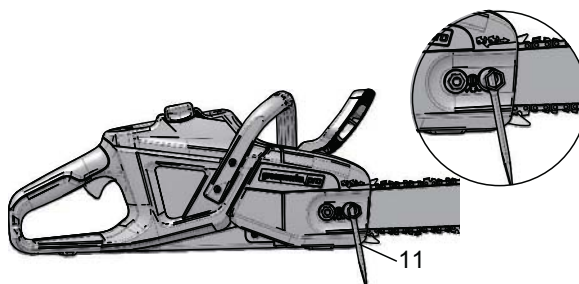
Une chaîne lâche peut sauter et provoquer des blessures graves, voire mortelles.

▲ ATTENTION

Portez des gants de protection si vous touchez la chaîne, le guide-chaîne ou les zones autour de la chaîne.

1. Arrêtez la machine.

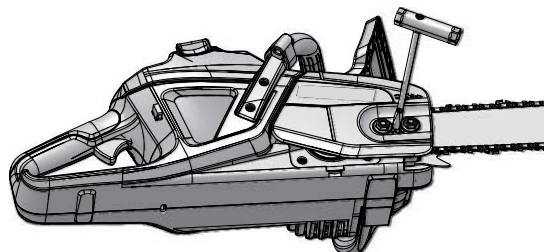
2. Desserrez les écrous de blocage à l'aide de la clé.



i REMARQUE

Il n'est pas nécessaire d'enlever le couvre-chaîne pour régler la tension de la chaîne.

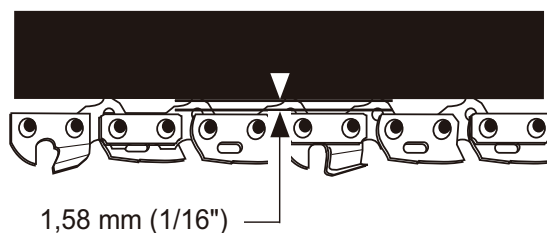
3. Tournez la vis de réglage de la chaîne dans le sens des aiguilles d'une montre pour augmenter la tension de la chaîne.
4. Tournez la vis de tension de la chaîne dans le sens contraire des aiguilles d'une montre pour réduire la tension de la chaîne.



5. Lorsque la chaîne est à la tension voulue, serrez les écrous de blocage.

i REMARQUE

Pendant le fonctionnement normal de la scie, la température de la chaîne augmente. Les maillons d'entraînement d'une chaîne chaude correctement tendue accrochent environ 1,58 mm (1/16") de la rainure de la barre.



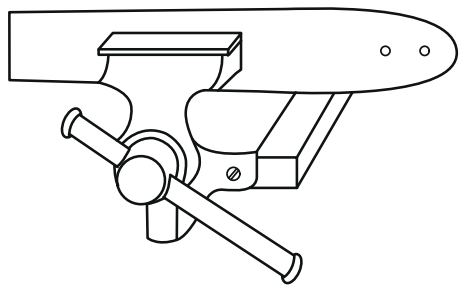
10.3 AFFÛTER LES DENTS

Affûtez les dents si la chaîne ne coupe pas facilement le bois.

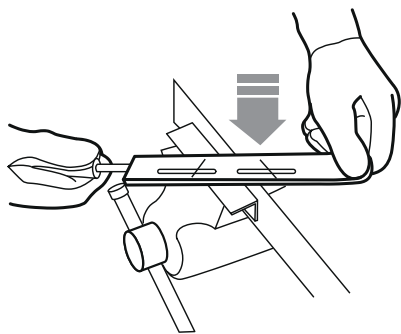
i REMARQUE

Nous recommandons un centre de service qui dispose de l'affûteuse électrique et qui effectue les travaux d'affûtage importants.

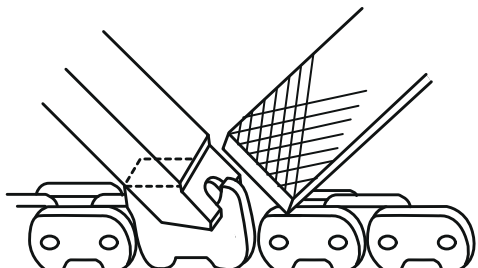
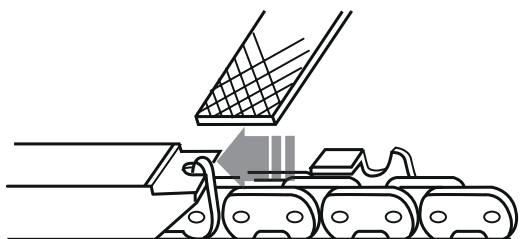
1. Réglage de la tension de la chaîne.



- Utilisez une lime ronde de 5/32" (4 mm) de diamètre pour affûter les coins coupants.



- Affûtez la plaque supérieure, la plaque latérale et la jauge de profondeur avec une lime plate.



- Limez tous les couteaux aux angles spécifiés et à la même longueur.

i REMARQUE

Pendant le processus :

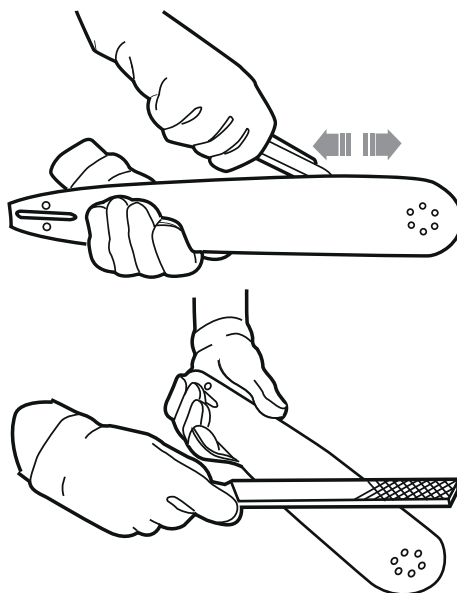
- Maintenez la lime à plat avec la surface à affûter.
- Utilisez le point médian de la barre de fichier.
- Utilisez une pression légère mais ferme pour affûter la surface.
- Soulevez la lime à chaque coup de retour.
- Affûtez les couteaux d'un côté, puis passez de l'autre côté.

Remplacez la chaîne si :

- La longueur des bords tranchants est inférieure à 5 mm (1/5").

- Il y a trop d'espace entre les maillons d'entraînement et les rivets.
- La vitesse de coupe est lente.
- Vous affûtez la chaîne plusieurs fois, mais cela n'augmente pas la vitesse de coupe. La chaîne est usée.

10.4 ENTRETIEN DU GUIDE-CHAÎNE



i REMARQUE

Veillez à ce qu'il soit retourné périodiquement pour maintenir une usure symétrique du guide.

- Lubrifiez les roulements du pignon de renvoi (si présent) avec une seringue (non fournie).
- Nettoyez la rainure du guide à l'aide d'un crochet racleur (non fourni).
- Nettoyez les trous de lubrification.
- Enlevez les bavures sur les bords et nivelez les dents avec une lime plate.

Remplacez le guide si :

- la rainure n'est pas adaptée à la hauteur des maillons de la chaîne (qui ne doivent jamais toucher le fond).
- l'intérieur du guide-chaîne est usé et fait pencher la chaîne d'un côté.

11 TRANSPORT ET ENTREPOSAGE

Avant de déplacer la machine, il faut toujours faire ce qui suit

- Retirez le bloc-batterie de la machine.
- Gardez les mains éloignées du bouton de verrouillage.
- Placez le fourreau sur le guide-chaîne et la chaîne.

Avant de ranger la machine dans l'entreposage, il faut toujours faire ce qui suit

- Retirez toute l'huile résiduelle de la machine.

- Retirez le bloc-batterie de la machine.
- Nettoyez la machine de toute matière indésirable.
- Assurez-vous que le lieu d'entreposage
 - n'est pas accessible aux enfants.
 - est loin des agents qui peuvent causer de la corrosion, tels que les produits chimiques de jardin et les sels de déglacage.

12 DÉPANNAGE

Problème	Cause possible	Solution
Le guide-chaîne et la chaîne deviennent chauds et dégagent de la fumée.	La chaîne est trop serrée.	Réglez la tension de la chaîne.
	Le réservoir d'huile est vide.	Ajouter de l'huile.
	La contamination provoque un blocage de l'orifice de décharge.	Retirez le guide-chaîne et nettoyez l'orifice de décharge.
	La contamination provoque un blocage du réservoir d'huile.	Nettoyez le réservoir d'huile. Ajouter de l'huile neuve.
	La contamination provoque un blocage du guide-chaîne et du bouchon du réservoir d'huile.	Nettoyez le guide-chaîne et le bouchon du réservoir d'huile.
	La contamination provoque un blocage du pignon ou des roues directrices.	Nettoyez le pignon et les roues directrices.

Problème	Cause possible	Solution
Le moteur marche, mais la chaîne ne tourne pas.	La chaîne est trop serrée.	Réglez la tension de la chaîne.
	Le guide-chaîne et la chaîne sont endommagés.	Remplacez le guide-chaîne et la chaîne, au besoin.
	Le moteur est endommagé.	<ol style="list-style-type: none"> 1. Retirez le bloc-batterie de la machine. 2. Retirez le couvercle du guide-chaîne. 3. Retirez le guide et la chaîne. 4. Nettoyez la machine. 5. Installez la batterie et faites fonctionner la machine. <p>Si le pignon tourne, donc le moteur fonctionne correctement. Sinon, communiquez avec le centre de service.</p>
Le moteur tourne et la chaîne tourne, mais la chaîne ne coupe pas.	La chaîne est émoussée.	Affûtez ou remplacez la chaîne.
	La chaîne est orientée dans la mauvaise direction.	Tournez la boucle de chaîne dans l'autre sens.
	La chaîne est serrée ou lâche.	Réglez la tension de la chaîne.

Problème	Cause possible	Solution
La machine ne démarre pas.	Le frein de la chaîne est enclenché.	Tirez le frein de la chaîne dans la direction de l'utilisateur pour le désengager.
	La machine et la batterie ne sont pas connectées correctement.	Assurez-vous que le bouton de déverrouillage de la batterie s'enclenche lorsque vous installez la batterie.
	La batterie est faible.	Rechargez le bloc-batterie.
	Le bouton de verrouillage et la gâchette ne sont pas enfoncés en même temps.	<ol style="list-style-type: none"> 1. Appuyez sur le bouton de verrouillage et maintenez-le enfoncé. 2. Appuyez sur la gâchette pour démarrer la machine.
	La batterie est trop chaude ou trop froide.	Consultez le manuel de la batterie et du chargeur.
Le moteur tourne, mais la chaîne ne coupe pas correctement, ou le moteur s'arrête après environ 3 secondes.	La machine est en mode de protection pour protéger les cartes de circuits imprimés.	Relâchez la gâchette et redémarrez la machine. Ne forcez pas la machine à couper.
	La batterie n'est pas chargée.	Rechargez la batterie. Consultez le manuel de la batterie et du chargeur pour connaître les procédures de charge correctes.
	La chaîne n'est pas lubrifiée.	Lubrifiez la chaîne pour diminuer la friction. Ne laissez pas le guide-chaîne et la chaîne fonctionner sans lubrifiant en quantité suffisante.
	Mauvaise température d'entreposage de la batterie	Refroidissez la batterie jusqu'à ce qu'elle revienne à la température ambiante.

Problème	Cause possible	Solution
La machine s'est arrêtée pour protéger les circuits internes.	La température de fonctionnement de la machine est trop élevée.	Déplacez la machine dans un endroit frais et sec. Laissez-la reposer pendant au moins 5 à 10 minutes. Si la protection s'active fréquemment, prolongez le temps de refroidissement.

13 DONNÉES TECHNIQUES

Voltage	60 V DC
Vitesse à vide	20 m/s
Longueur du guide-chaîne	18 po (457 mm)
Pas de chaîne	3/8 po LP (9,5 mm)
Jauge de chaîne	0,050 po (1,27 mm)
Maillons de la chaîne	62
Capacité d'huile de chaîne	230 ml
Poids (sans batterie)	9,3 lb (4,2 kg)
Chaîne	91P062X
Guide-chaîne	180SDEA041
Batterie (modèle)	LB604 et autres séries BAC
Chargeur (modèle)	CAC801 et autres séries CAC

La plage de température ambiante recommandée :

Article	Température
Plage de température d'entreposage de l'appareil	32°F (0°C) - 113°F (45°C)
Plage de température de fonctionnement de l'appareil	32°F (0°C) - 113°F (45°C)
Plage de température de recharge de la batterie	39°F (4°C) - 104°F (40°C)
Plage de température de fonctionnement du chargeur	39°F (4°C) - 104°F (40°C)
Plage de température d'entreposage de la batterie	32°F (0°C) - 113°F (45°C)
Plage de température de décharge de la batterie	32°F (0°C) - 113°F (45°C)

14 GARANTIE LIMITÉE

FR



Greenworks garantit par la présente ce produit, à l'acheteur original avec preuve d'achat, pour une période de quatre (4) ans contre tout défaut de matériaux, de pièces ou de main-d'œuvre. Greenworks, à sa propre discrétion, réparera ou remplacera toutes les pièces défectueuses, dans des conditions normales d'utilisation, sans frais pour le client. Cette garantie n'est valable que pour les appareils qui ont été utilisés à des fins personnelles, qui n'ont pas été loués à des fins industrielles ou commerciales et qui ont été entretenus conformément aux instructions du manuel du propriétaire fourni avec le produit neuf.

ARTICLES NON COUVERTS PAR LA GARANTIE :

1. Toute pièce qui est devenue inopérante en raison d'une mauvaise utilisation, d'une utilisation commerciale, d'un abus, d'une négligence, d'un accident, d'un entretien inapproprié ou d'une modification; ou
2. L'appareil, s'il n'a pas été utilisé et/ou entretenu conformément au manuel du propriétaire; ou
3. Usure normale, sauf comme indiqué ci-dessous;
4. Articles d'entretien courant tels que lubrifiants, affûtage des lames;
5. Détérioration normale du fini extérieur due à l'utilisation ou à l'exposition.

ASSISTANCE TÉLÉPHONIQUE :

Le service de garantie est disponible en appelant notre ligne d'assistance téléphonique sans frais, au 1-855-345-3934.

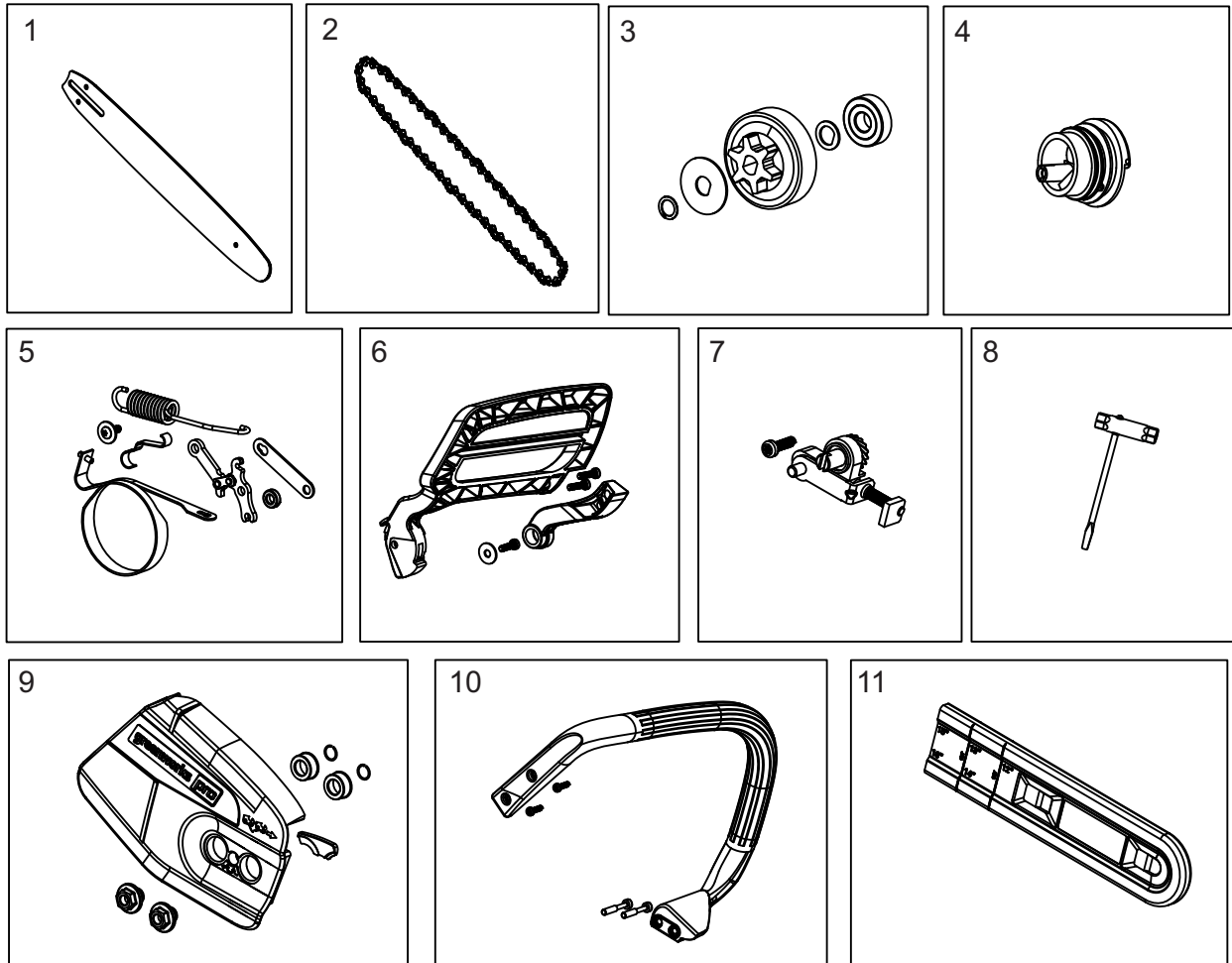
FRAIS DE TRANSPORT :

Les frais de transport pour le déplacement de tout équipement motorisé ou accessoire sont à la charge de l'acheteur. Il incombe à l'acheteur de payer les frais de transport pour toute pièce retournée pour remplacement en vertu de la présente garantie, à moins qu'un tel retour soit demandé par écrit par Greenworks.

Adresse aux États-Unis : Adresse au Canada :

Greenworks Tools	Greenworks Tools Canada Inc.
P.O. Box 1238	P.O. Box 93095, Newmarket, Ontario
Mooresville, NC 28115	L3Y 8K3

15 VUE ÉCLATÉE



No	No de pièce	Qté	Description	No	No de pièce	Qté	Description
1	R0201872-00	1	Guide	7	R0200896-00	1	Ensemble tendeur
2	RB322041075	1	Chaîne	8	RB333001890	1	Clé
3	R0200302-00	1	Ensemble pignon	9	R0202163-00	1	Ensemble du couvercle du pignon
4	R0200303-00	1	Ensemble du capuchon d'huile	10	R0200306-00	1	Ensemble de la poignée auxiliaire
5	R0201868-00	1	Ensemble de frein de chaîne	11	RB341182031B	1	Fourreau
6	R0200009-00	1	Poignée de frein de la chaîne				

<p>1 Descripción.....35</p> <p>1.1 Finalidad..... 35</p> <p>1.2 Perspectiva general..... 35</p> <p>1.3 Lista de embalaje..... 35</p> <p>2 Advertencias generales de seguridad para herramientas eléctricas.....35</p> <p>2.1 Seguridad de la zona de trabajo..... 35</p> <p>2.2 Seguridad eléctrica..... 35</p> <p>2.3 Seguridad personal..... 36</p> <p>2.4 Utilización y cuidado de herramientas eléctricas..... 36</p> <p>2.5 Utilización y cuidado de herramientas a batería..... 36</p> <p>2.6 Servicio..... 37</p> <p>3 Instrucciones de seguridad para motosierras.....37</p> <p>3.1 Advertencias generales de seguridad para motosierras:..... 37</p> <p>3.2 Causas y prevención del retroceso por parte del operario:..... 38</p> <p>4 Símbolos en el producto..... 38</p> <p>5 Niveles de riesgo..... 38</p> <p>6 Eliminación de batería segura para el medio ambiente.....39</p>	<p>7 Propuesta 65.....39</p> <p>8 Instalación..... 39</p> <p>8.1 Desembalaje de la máquina..... 40</p> <p>8.2 Adición de aceite para barras y cadenas..... 40</p> <p>8.3 Instalación de la batería..... 40</p> <p>8.4 Retirada de la batería..... 40</p> <p>9 Funcionamiento..... 40</p> <p>9.1 Examen del aceite de la cadena..... 41</p> <p>9.2 Sujeción de la máquina..... 41</p> <p>9.3 Puesta en marcha de la máquina..... 41</p> <p>9.4 Detención de la máquina..... 41</p> <p>9.5 Accionamiento del freno de la cadena..... 41</p> <p>9.6 Tala de un árbol..... 41</p> <p>9.7 Desramado de un árbol..... 42</p> <p>9.8 Tronzado de un tronco..... 42</p> <p>10 Mantenimiento.....43</p> <p>10.1 Sustitución de la barra de guía y la cadena..... 43</p> <p>10.2 Ajuste de la tensión de la cadena..... 44</p> <p>10.3 Afilado de los cortadores..... 44</p> <p>10.4 Mantenimiento de la barra de guía..... 45</p> <p>11 Transporte y almacenamiento..... 45</p> <p>12 Solución de problemas..... 46</p> <p>13 Datos técnicos..... 47</p> <p>14 Garantía limitada..... 48</p> <p>15 Vista despiezada..... 49</p>
---	---

1 DESCRIPCIÓN

1.1 FINALIDAD

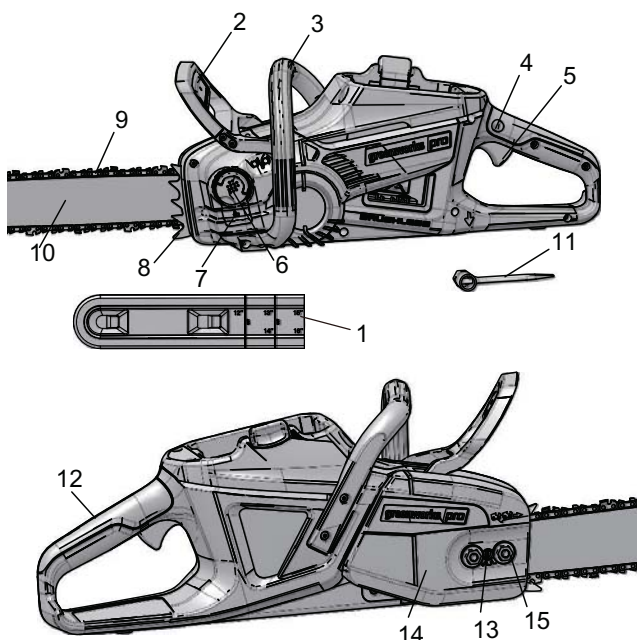
Esta motosierra se ha diseñado para cortar ramas, troncos, leños y vigas de un diámetro determinado por la longitud de corte de la barra de guía. Se ha diseñado únicamente para cortar madera.

Para su uso únicamente en una aplicación doméstica en exteriores por adultos.

No utilice la motosierra para ningún fin que no se haya indicado anteriormente.

Esta motosierra no debe utilizarse para servicios profesionales de tala de árboles. No debe ser utilizada por niños o personas que no lleven ropa y equipos adecuados de protección personal.

1.2 PERSPECTIVA GENERAL



1	Vaina	10	Barra de guía
2	Freno de cadena	11	Llave
3	Asa delantera	12	Asa posterior
4	Botón de desbloqueo	13	Tornillo de tensado de cadena
5	Gatillo	14	Cubierta de cadena
6	Tapa de aceite	15	Tuercas de cubierta de cadena
7	Ventanilla del aceite		
8	Dientes		
9	Cadena		

1.3 LISTA DE EMBALAJE

1	Motosierra	3	Manual
2	Vaina	4	Llave

2 ADVERTENCIAS GENERALES DE SEGURIDAD PARA HERRAMIENTAS ELÉCTRICAS

▲ AVISO

Lea todas las advertencias de seguridad, instrucciones, ilustraciones y especificaciones que se proporcionan con esta herramienta eléctrica. El incumplimiento de las instrucciones indicadas a continuación puede provocar descargas eléctricas, incendios o lesiones graves.

Guarde todas las advertencias e instrucciones para su consulta posterior.

El término "herramienta eléctrica" empleado en las advertencias se refiere a su herramienta eléctrica con funcionamiento a batería (inalámbrica).

2.1 SEGURIDAD DE LA ZONA DE TRABAJO

- **Mantenga limpia y bien iluminada la zona de trabajo.** Las zonas desordenadas u oscuras fomentan los accidentes.
- **No utilice herramientas eléctricas en atmósferas explosivas, como en la presencia de líquidos, gases o polvo que puedan inflamarse.** Las herramientas eléctricas generan chispas que pueden encender el polvo o los gases.
- **Mantenga alejados a los niños y los transeúntes mientras utilice una herramienta eléctrica.** Las distracciones pueden hacer que pierda el control.

2.2 SEGURIDAD ELÉCTRICA

- **Los enchufes de las herramientas eléctricas deben corresponder con la toma de corriente. Nunca modifique el enchufe en modo alguno. No utilice enchufes adaptadores con herramientas eléctricas conectadas a tierra.** La utilización de enchufes no modificados y de tomas de corriente adecuadas reducirá el riesgo de descarga eléctrica.
- **Evite el contacto del cuerpo con superficies conectadas a tierra, como tuberías, radiadores, estufas y refrigeradores.** Existe un riesgo aumentado de descarga eléctrica si su cuerpo está conectado a tierra.
- **No exponga las herramientas eléctricas a la lluvia o a condiciones de humedad.** Si penetra agua en una herramienta eléctrica, aumentará el riesgo de descarga eléctrica.
- **No abuse del cable. Nunca utilice el cable para transportar, tirar o desenchufar la herramienta eléctrica. Mantenga el cable alejado del calor, el aceite, los bordes afilados o las piezas móviles.** Los cables dañados o enredados aumentan el riesgo de descarga eléctrica.

- Cuando utilice una herramienta eléctrica en exteriores, use un cable alargador adecuado para uso en exterior. *La utilización de un cable adecuado para uso en exterior reduce el riesgo de descarga eléctrica.*
- Si no es inevitable el uso de una herramienta eléctrica en un lugar húmedo, utilice un suministro protegido por un **DISPOSITIVO DE CORRIENTE RESIDUAL (RCD)**. *La utilización de un RCD reduce el riesgo de descarga eléctrica.*

2.3 SEGURIDAD PERSONAL

- Manténgase alerta, observe lo que está haciendo y emplee el sentido común cuando utilice una herramienta eléctrica. No utilice una herramienta eléctrica mientras esté cansado o bajo la influencia de drogas, alcohol o medicamentos. *Un momento de inatención durante el uso de herramientas eléctricas puede provocar lesiones personales graves.*
- Utilice equipos de protección personal. Lleve siempre protección ocular. *Si se utilizan equipos de protección como máscaras antipolvo, zapatos de seguridad antideslizantes, cascos o protecciones auditivas en las condiciones adecuadas, se reducirán las lesiones personales.*
- Evite el arranque accidental. Asegúrese de que el interruptor esté en la posición de apagado antes de conectar a la fuente de alimentación o a la batería y al coger o transportar la herramienta. *El transporte de herramientas eléctricas con el dedo en el interruptor o la conexión de herramientas eléctricas que tienen el interruptor activado fomenta los accidentes.*
- Retire cualquier llave de ajuste antes de encender la herramienta eléctrica. *Una llave que se quede fijada a una pieza giratoria de la herramienta eléctrica puede provocar lesiones personales.*
- No se estire. Mantenga en todo momento una postura adecuada y el equilibrio. *Esto permite un mejor control de la herramienta eléctrica en situaciones inesperadas.*
- Lleve indumentaria adecuada. No lleve ropa o joyas sueltas. Mantenga el cabello, la ropa y los guantes lejos de las piezas móviles. *La ropa suelta, las joyas o el cabello largo pueden quedar atrapados en las piezas móviles.*
- Si se utilizan dispositivos para la conexión de sistemas de extracción y recogida de polvo, asegúrese de que estén conectados y se utilicen correctamente. *La utilización de sistemas de recogida de polvo puede reducir los riesgos relacionados con el polvo.*
- No permita que la familiaridad adquirida con el uso frecuente de las herramientas le permita ser confiado e ignorar los principios de seguridad de las herramientas. *Una acción descuidada puede provocar lesiones graves en una fracción de segundo.*

2.4 UTILIZACIÓN Y CUIDADO DE HERRAMIENTAS ELÉCTRICAS

- No fuerce la herramienta eléctrica. Utilice la herramienta eléctrica correcta para su aplicación. *La herramienta eléctrica correcta hará el trabajo mejor y con mayor seguridad a la velocidad para la que se diseñó.*
- No utilice la herramienta eléctrica si el interruptor no la enciende y la apaga. *Cualquier herramienta eléctrica que no pueda controlarse con el interruptor es peligrosa y debe repararse.*
- Desconecte el enchufe de la fuente de alimentación o retire la BATERÍA, si es extraíble, de la herramienta eléctrica antes de realizar ajustes, cambiar accesorios o almacenar herramientas eléctricas. *Estas medidas de seguridad preventivas reducen el riesgo de que la herramienta eléctrica se arranque accidentalmente.*
- Almacene las herramientas eléctricas inactivas fuera del alcance de los niños y no permita que personas que no estén familiarizadas con la herramienta eléctrica o estas instrucciones puedan utilizarla. *Las herramientas eléctricas son peligrosas en manos de usuarios inexpertos.*
- Mantenga las herramientas eléctricas y los accesorios. Compruebe si hay desalineación o unión de las piezas móviles, rotura de piezas y cualquier otra condición que pueda afectar al funcionamiento de la herramienta eléctrica. Si ha sufrido daños, lleve a reparar la herramienta eléctrica antes del uso. *Numerosos accidentes se deben a herramientas eléctricas mal mantenidas.*
- Mantenga limpias y afiladas las herramientas de corte. *Las herramientas de corte mantenidas correctamente con filos cortantes tienen menos probabilidades de atascarse y son más fáciles de controlar.*
- Utilice la herramienta eléctrica, los accesorios, las brocas, etc. de acuerdo con estas instrucciones, teniendo en cuenta las condiciones de trabajo y el trabajo a realizar. *El uso de la herramienta eléctrica para operaciones distintas de las previstas podría dar lugar a una situación peligrosa.*
- Mantenga las asas y las superficies de agarre secas, limpias y sin restos de aceite y grasa. *Las asas y las superficies de agarre resbaladizas no permiten un manejo y control seguros de la herramienta en situaciones inesperadas.*

2.5 UTILIZACIÓN Y CUIDADO DE HERRAMIENTAS A BATERÍA

- Recargue solo con el cargador especificado por el fabricante. *Un cargador adecuado para un tipo de batería puede dar lugar a un riesgo de incendio cuando se usa con otra batería.*
- Utilice las herramientas eléctricas únicamente con las baterías designadas específicamente. *El uso de*

cualquier otra batería puede dar lugar a un riesgo de lesiones e incendio.

- **Cuando la batería no esté en uso, manténgala alejada de otros objetos metálicos como clips, monedas, llaves, clavos, tornillos u otros objetos metálicos pequeños que puedan hacer una conexión entre los terminales.** *El cortocircuito de los terminales de la batería puede provocar quemaduras o incendios.*
- **Bajo condiciones abusivas, es posible que salga líquido despedido de la BATERÍA; evite el contacto. Si se produce un contacto accidental, aclare con agua. Si el líquido entra en contacto con los ojos, acuda también al médico.** *El líquido despedido de la BATERÍA puede provocar irritación o quemaduras.*
- **No utilice una batería o una herramienta que haya sufrido daños o modificaciones.** *Las baterías dañadas o modificadas pueden exhibir un comportamiento impredecible que puede dar lugar a un incendio, una EXPLOSIÓN o un riesgo de lesiones.*
- **No exponga una batería o una herramienta al fuego ni a temperatura excesiva.** *La exposición al fuego o a una temperatura superior a 130°C puede provocar una explosión.*
- **Siga todas las instrucciones de carga y no cargue la batería o la herramienta fuera del intervalo de temperatura especificado en las instrucciones.** *La carga incorrecta o a temperaturas fuera del intervalo especificado puede dañar la batería y aumentar el riesgo de incendio.*

2.6 SERVICIO

- **Solicite a un técnico de reparación cualificado que realice las tareas de servicio de su herramienta eléctrica utilizando únicamente piezas de repuesto idénticas.** *Esto garantizará el mantenimiento de la seguridad de la herramienta eléctrica.*
- **Nunca repare las baterías dañadas.** *La reparación de las baterías únicamente debe ser realizada por el fabricante o los proveedores de servicio técnico autorizados.*

3 INSTRUCCIONES DE SEGURIDAD PARA MOTOSIERRAS

3.1 ADVERTENCIAS GENERALES DE SEGURIDAD PARA MOTOSIERRAS:

- **Mantenga todas las partes del cuerpo alejadas de la cadena de la sierra cuando la motosierra esté funcionando.** *Antes de arrancar la motosierra, asegúrese de que la cadena de la sierra no esté en contacto con nada.* *Un momento de falta de atención mientras utiliza la motosierra puede hacer que su ropa o su cuerpo se enreden con la cadena de la sierra.*

- **Sujete siempre la motosierra con la mano derecha en el asa posterior y la mano izquierda en el asa delantera.** *Si invierte las posiciones de las manos para sujetar la motosierra, aumenta el riesgo de lesiones personales. Esto no debe hacerse nunca.*
- **Sujete la motosierra solo por las superficies de agarre aisladas, ya que la cadena de la sierra puede entrar en contacto con cableado oculto o con su propio cable.** *Si la cadena de la sierra entra en contacto con un cable "con corriente", esto puede hacer que las piezas metálicas expuestas de la motosierra "tengan corriente" y podrían producir una descarga eléctrica al operario.*
- **Lleve protección ocular. Se recomienda el uso de productos adicionales de protección para los oídos, la cabeza, las manos, las piernas y los pies.** *Un equipo protector adecuado reducirá las lesiones personales debidas a residuos que salen despedidos o al contacto accidental con la cadena de la sierra.*
- **No utilice una motosierra sobre una escalera, desde un tejado o cualquier soporte inestable.** *La utilización de una motosierra de esta manera podría provocar lesiones personales graves.*
- **Mantenga siempre una postura adecuada y utilice la motosierra solo cuando se encuentre sobre una superficie fija, segura y nivelada.** *Las superficies resbaladizas o inestables pueden provocar la pérdida del equilibrio o el control de la motosierra.*
- **Cuando corte una rama que esté bajo tensión, esté alerta a la retracción.** *Cuando se libera la tensión en la madera, la rama bajo tensión puede golpear al operario o hacer que pierda el control de la motosierra.*
- **Tenga mucho cuidado al cortar maleza y árboles jóvenes.** *El material delgado puede quedar atrapado en la cadena de la sierra y ser azotado hacia usted o hacerle perder el equilibrio.*
- **Transporte la motosierra por el asa delantera con la motosierra apagada y alejada de su cuerpo.** *Cuando transporte o almacene la motosierra, coloque siempre la cubierta de la barra de guía.* *El manejo adecuado de la motosierra reducirá la posibilidad de contacto accidental con la cadena de la sierra en movimiento.*
- **Siga las instrucciones para lubricar, tensar la cadena y cambiar la barra y la cadena.** *Una cadena lubricada o tensada incorrectamente puede romperse o aumentar la posibilidad de retroceso.*
- **Corte únicamente madera. No utilice la motosierra para fines distintos al previsto.** *Por ejemplo: no utilice la motosierra para cortar metal, plástico, mampostería o materiales de construcción que no sean madera.* *El uso de la motosierra para operaciones distintas de las previstas podría dar lugar a una situación peligrosa.*
- **No intente talar un árbol hasta que entienda los riesgos y cómo evitarlos.** *El operario o los transeúntes pueden sufrir lesiones graves al talar un árbol.*
- **Esta motosierra no se ha diseñado para talar árboles.** *El uso de la motosierra para operaciones distintas de las*

previstas podría provocar lesiones graves al operario o a los transeúntes.

- **No utilice una motosierra en un árbol a menos que haya recibido formación específica para hacerlo. La utilización de una motosierra en un árbol sin la formación adecuada podría aumentar el riesgo de lesiones personales graves.**
- **Siga todas las instrucciones cuando quite material atascado, almacene o realice tareas de servicio en la motosierra. Asegúrese de que el interruptor esté apagado y se haya extraído la batería. La puesta en marcha inesperada de la motosierra mientras se quita el material atascado o se realizan reparaciones puede provocar lesiones personales graves.**

3.2 CAUSAS Y PREVENCIÓN DEL RETROCESO POR PARTE DEL OPERARIO:

Puede producirse retroceso cuando el extremo o la punta de la barra de guía toca un objeto, o cuando la madera se cierra y pellizca la cadena de la sierra en el corte.

El contacto con la punta en algunos casos puede provocar una reacción inversa repentina, que levanta la barra de guía y la empuja atrás hacia el operario.

Si se pellizca la cadena de la sierra a lo largo de la parte superior de la barra de guía, la barra de guía puede ser empujada rápidamente atrás hacia el operario.

Cualquiera de estas reacciones puede hacer que pierda el control de la sierra, lo que podría provocar lesiones personales graves. No confíe exclusivamente en los dispositivos de seguridad incorporados en su sierra. Como usuario de la motosierra, debe tomar diversas medidas para realizar sus trabajos de corte sin accidentes ni lesiones.

El retroceso es el resultado de un uso incorrecto de la herramienta o de procedimientos o condiciones de funcionamiento incorrectos y puede evitarse tomando las precauciones adecuadas que se indican a continuación:

- **Mantenga un agarre firme, con los pulgares y los dedos rodeando las asas de la motosierra, con ambas manos en la sierra y el cuerpo y el brazo colocados para permitirle resistir las fuerzas de retroceso.**











Las fuerzas de retroceso pueden ser controladas por el operario, si se toman las precauciones adecuadas. No suelte la motosierra.

- **No se estire y no corte por encima de la altura del hombro.** Esto ayuda a evitar el contacto accidental con la punta y permite un mejor control de la motosierra en situaciones inesperadas.
- **Utilice únicamente barras y cadenas de repuesto especificadas por el fabricante.** Las barras y cadenas de repuesto incorrectas pueden provocar la rotura de la cadena o retroceso.
- **Siga las instrucciones de afilado y mantenimiento del fabricante para la cadena de la sierra.** Si disminuye la

altura del calibrador de profundidad, puede aumentar el retroceso.


4 SÍMBOLOS EN EL PRODUCTO



En el producto pueden utilizarse algunos de los siguientes símbolos. Le rogamos que los estudie y aprenda su significado. La interpretación correcta de estos símbolos le permitirá manejar el producto mejor y de manera más segura.

Símbolo	Explicación
	Corriente continua - Tipo de característica de corriente.
	Precauciones que afectan a su seguridad.
	Debe leer y entender todas las instrucciones antes de manejar el producto, así como seguir todas las advertencias e instrucciones de seguridad.
	Lleve protección ocular y auditiva.
	No exponga el producto a la lluvia o a condiciones de humedad.
	Evite el contacto con la punta de la barra.
	Sujete con ambas manos.
	¡PELIGRO! Tenga cuidado con el retroceso.
	Lleve guantes antideslizantes resistentes.
	Mantenga a los transeúntes al menos a 50 pies (15 m).

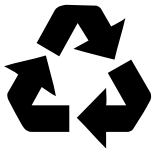
5 NIVELES DE RIESGO

Las siguientes indicaciones y significados tienen como fin explicar los niveles de riesgo asociados a este producto.

SÍMBOLO	INDICACIÓN	SIGNIFICADO
	PELIGRO	Indica una situación de peligro inminente que, de no evitarse, provocará lesiones graves o incluso la muerte.

SÍMBO- LO	INDICACIÓN	SIGNIFICADO
	ADVERTEN- CIA	Indica una situación de peli- gro potencial que, de no evita- rse, podría provocar lesiones graves o incluso la muerte.
	PRECAUCIÓN	Indica una situación de peli- gro potencial que, de no evita- rse, puede provocar lesiones leves o moderadas.
	PRECAUCIÓN	(Sin símbolo de alerta sobre seguridad) Indica una situa- ción que puede provocar da- ños materiales.

6 ELIMINACIÓN DE BATERÍA SEGURA PARA EL MEDIO AMBIENTE



Los materiales tóxicos y corrosivos que figuran a continuación se encuentran en las baterías utilizadas en esta máquina: **Ion de litio, un material tóxico.**

▲ AVISO

Deseche todos los materiales tóxicos de una manera especificada para evitar la contaminación del medio ambiente. Antes de desechar una batería de ion de litio dañada o agotada, contacte con la agencia local de eliminación de residuos o con la agencia de protección ambiental local para obtener información e instrucciones específicas. Lleve las baterías a un centro de reciclaje o eliminación local, certificado para la eliminación de ion de litio.

▲ AVISO

Si la batería se agrieta o se rompe, con o sin fugas, no la recargue ni la utilice. Deséchela y sustitúyala por una batería nueva. **¡NO INTENTE REPARARLA!** Para evitar lesiones y riesgos de incendio, explosión o descarga eléctrica, y para evitar daños al medio ambiente:

- Cubra los terminales de la batería con cinta adhesiva resistente.
- NO intente retirar o destruir ninguno de los componentes de la batería.
- NO intente abrir la batería.
- Si se produce una fuga, los electrolitos liberados son corrosivos y tóxicos. NO deje que la solución entre en contacto con los ojos o la piel, y no la ingiera.
- NO deseche estas baterías con la basura doméstica normal.
- NO incinere.
- NO lleve las baterías a lugares donde formarán parte de vertederos de residuos o flujos de residuos sólidos urbanos.
- Llévelas a un centro de reciclaje o eliminación certificado.

7 PROPUESTA 65

▲ AVISO

Este producto contiene una sustancia química conocida en el estado de California como causante de cáncer, defectos de nacimiento u otros daños reproductivos. El polvo generado por el lijado eléctrico, el serrado, el esmerilado, la perforación y otras actividades de construcción contiene sustancias químicas que se sabe que son causantes de cáncer, defectos de nacimiento u otros daños reproductivos. Algunos ejemplos de estas sustancias químicas son:

- Plomo de pinturas con base de plomo;
- Sílice cristalina de ladrillos y cemento y otros productos de albañilería;
- Arsénico y cromo de la madera tratada químicamente.

El riesgo de exposición a estas sustancias químicas varía según la frecuencia con la que realice este tipo de trabajo. Para reducir su exposición a estas sustancias químicas, trabaje en una zona bien ventilada y trabaje con equipos de seguridad aprobados, como máscaras antipolvo, que estén especialmente diseñadas para filtrar partículas microscópicas.

Conserve estas instrucciones.

8 INSTALACIÓN

▲ AVISO

No cambie ni utilice accesorios que no sean los recomendados por el fabricante.

▲ AVISO

No instale la batería hasta que no haya montado todas las piezas.

ES 8.1 DESEMBALAJE DE LA MÁQUINA

▲ AVISO

Asegúrese de montar correctamente la máquina antes del uso.

▲ AVISO

- Si las piezas de la máquina presentan daños, no utilice la máquina.
- Si no tiene todas las piezas, no utilice la máquina.
- Si faltan piezas o hay piezas dañadas, contacte con el centro de servicio.

1. Abra el embalaje.
2. Lea la documentación que se proporciona en la caja.
3. Retire todas las piezas sin montar de la caja.
4. Retire la máquina de la caja.
5. Deseche la caja y el material de embalaje de conformidad con los reglamentos locales.

8.2 ADICIÓN DE ACEITE PARA BARRAS Y CADENAS

Examine la cantidad de aceite que hay en la máquina. Si el nivel de aceite es bajo, añada el aceite para barras y cadenas de la siguiente manera.

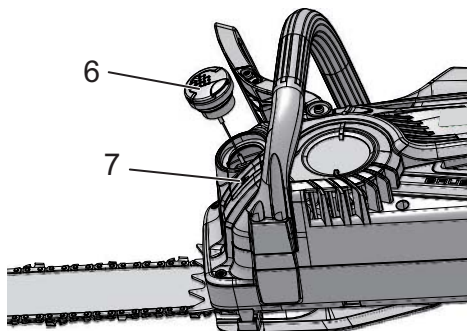
i IMPORTANTE

Utilice únicamente aceite para barras y cadenas.

i NOTA

La máquina viene de fábrica sin aceite para barras y cadenas.

1. Afloje y retire la tapa (6) del depósito de aceite.



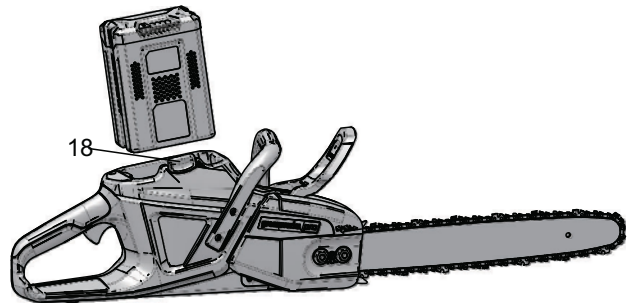
2. Ponga el aceite en el depósito de aceite.
3. Supervise la ventanilla del aceite (7) para asegurarse de que no entre suciedad en el depósito mientras añade el aceite.

4. Ponga la tapa del aceite.
5. Apriete la tapa del aceite.
6. El depósito de aceite entero durará aproximadamente 20-40 minutos.

i IMPORTANTE

No utilice aceite sucio, usado o contaminado. Pueden producirse daños en la barra o la cadena.

8.3 INSTALACIÓN DE LA BATERÍA



▲ AVISO

- Si la batería o el cargador ha sufrido daños, sustituya la batería o el cargador.
- Detenga la máquina y espere hasta que el motor se pare antes de instalar o retirar la batería.
- Debe leer y entender las instrucciones del manual de la batería y el cargador.

1. Alinee las nervaduras de elevación de la batería con las ranuras del compartimento de la batería.
2. Introduzca la batería en el compartimento de la batería hasta que encaje en su posición.
3. Cuando escuche un clic, la batería está instalada.

8.4 RETIRADA DE LA BATERÍA

1. Pulse y mantenga pulsado el botón de desbloqueo de la batería (18).
2. Retire la batería de la máquina.

9 FUNCIONAMIENTO

i NOTA

Retire la batería y mantenga las manos alejadas del botón de desbloqueo cuando mueva la máquina.

i IMPORTANTE

Examine la tensión de la cadena antes de cada uso.

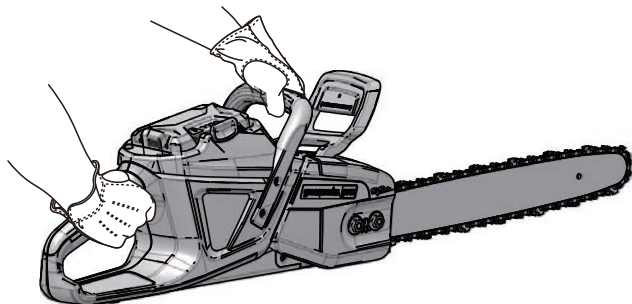
9.1 EXAMEN DEL ACEITE DE LA CADENA

i NOTA

No utilice la máquina si no tiene suficiente aceite para cadenas.

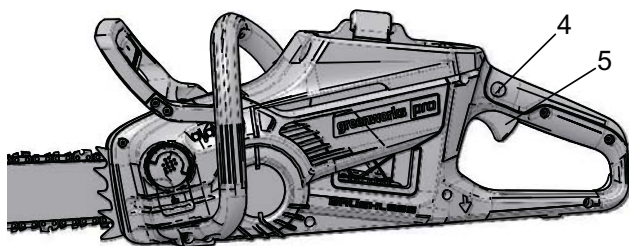
1. Examine el nivel de aceite de la máquina en el indicador de aceite.
2. Añada aceite en caso necesario.

9.2 SUJECIÓN DE LA MÁQUINA



1. Sujete la motosierra con la mano derecha en el asa posterior y la mano izquierda en el asa delantera.
2. Sujete las asas con los pulgares y los dedos alrededor de ellas.
3. Asegúrese de que la mano izquierda sujete el asa delantera y que el pulgar esté debajo del asa.

9.3 PUESTA EN MARCHA DE LA MÁQUINA



1. Pulse el botón de desbloqueo (4).
2. Presione el gatillo (5) mientras sujeta el botón de desbloqueo.
3. Suelte el botón de desbloqueo.

i IMPORTANTE

El freno de la cadena debe estar desacoplado para arrancar la motosierra. Active el freno moviendo la protección de la mano delantera hacia delante.

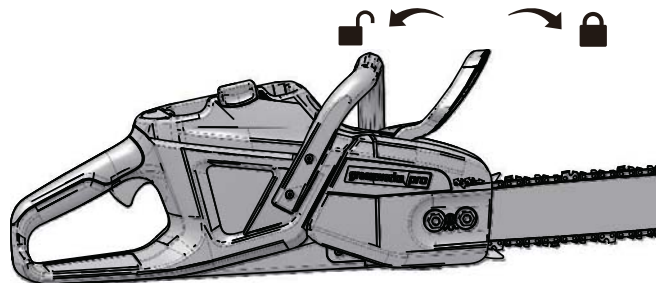
9.4 DETENCIÓN DE LA MÁQUINA

1. Suelte el gatillo para detener la máquina.

9.5 ACCIONAMIENTO DEL FRENO DE LA CADENA

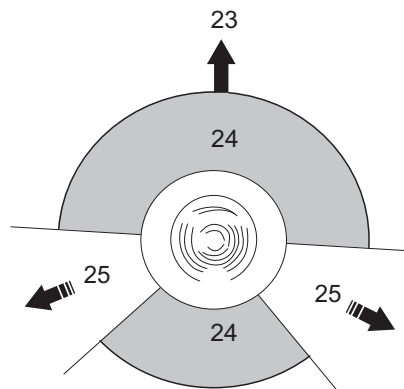
▲ AVISO

Asegúrese de que sus manos estén en las asas en todo momento.



1. Ponga en marcha la máquina.
2. Empuje el protector hacia delante para acoplar el freno de la cadena.
3. Tire de la protección del asa / del freno de la cadena hacia atrás para desacoplar el freno de la cadena.
4. Llame a un centro de servicio autorizado para la reparación antes del uso si
 - El freno de la cadena no detiene la cadena inmediatamente.
 - El freno de la cadena no permanece en la posición desacoplada sin ayuda.

9.6 TALA DE UN ÁRBOL

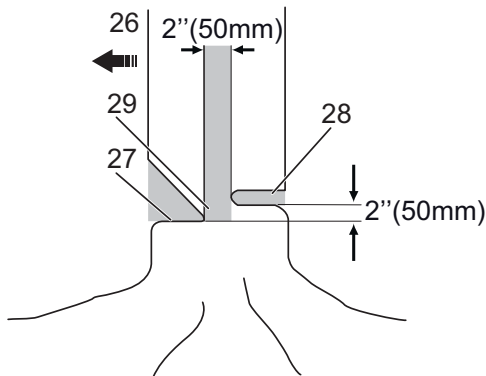


Se recomienda que los usuarios primerizos, como práctica mínima, empiecen a cortar los troncos sobre un caballete o una base.

Antes de empezar a talar un árbol, asegúrese de que:

- La distancia mínima entre las zonas de tronzado y tala realizadas por dos o más personas a la vez sea dos veces la altura del árbol que se tala.
- La operación no:
 - Produzca lesiones al personal.
 - Golpee líneas de suministros. Si el árbol toca una línea de suministro, avise inmediatamente a la compañía de suministro.

- Provoque pérdidas materiales.
- El usuario no se encuentre en la zona peligrosa (24), por ejemplo, en el lado cuesta abajo de la zona.
- Las vías de evacuación (25) que se extienden hacia atrás y en diagonal detrás de la dirección de tala (23) estén despejadas. La dirección de tala es controlada por:
 - La inclinación natural del árbol.
 - La situación de las ramas de mayor tamaño.
 - La dirección del viento.
- Asegúrese de que no haya suciedad, piedras, cortezas sueltas, clavos ni grapas en el árbol.



1. **Haga un corte de muesca de nivel inferior (27). Asegúrese de que este corte:**

- a) Tenga 1/3 de la anchura del diámetro del árbol.
- b) Sea perpendicular a la dirección de tala.

▲ PRECAUCIÓN

El corte de muesca de nivel ayuda a evitar que la cadena de la sierra o la barra de guía queden pellizcadas cuando hace la segunda muesca.

2. **Haga el corte de tala (28) no inferior a 2 in (50 mm) ni superior al corte de muesca de nivel. Asegúrese de que este corte:**

- a) Esté paralelo al corte de muesca de nivel.
- b) Mantenga suficiente madera 2 in. (50 mm) o 1/10 del diámetro del árbol para formar una bisagra (29) que evite que el árbol se tuerza y caiga en la dirección equivocada.

Cuando el corte de tala (28) se acerca a la bisagra (29), el árbol cae. Detenga el corte de tala si el árbol:

- No cae en la dirección correcta o
- Se mueve hacia atrás, haciendo que la barra de corte y la cadena se atasquen en el corte.

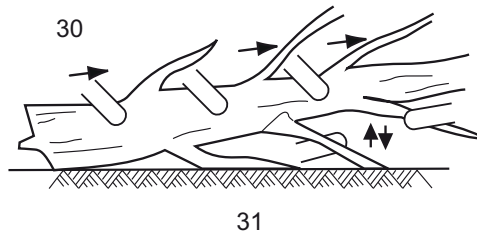
3. **Utilice la cuña de tala para abrir el corte y dejar que el árbol caiga en la dirección correcta.**

4. **Cuando al árbol empiece a caer:**

- a) Retire la motosierra del corte.
- b) Detenga la máquina.
- c) Deje la máquina.

- d) Aléjese del árbol a través de la vía de evacuación (25). Siga observando el árbol en todo momento para ver la dirección de caída. Tenga cuidado con las ramas elevadas y su equilibrio.

9.7 DESRAMADO DE UN ÁRBOL



Desramar es quitar las ramas de un árbol caído.

1. Conserve las ramas inferiores más grandes para mantener el tronco levantado del suelo (31).
2. Retire las ramas pequeñas (30) de un corte.
3. Corte las ramas con tensión de abajo hacia arriba.
4. Conserve las ramas inferiores más grandes como soporte hasta que haya desramado el resto del tronco.

9.8 TRONZADO DE UN TRONCO

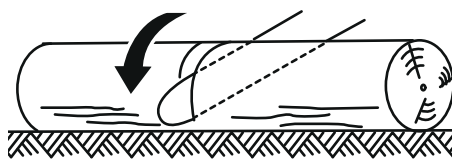
Tronzar es cortar un tronco en trozos.

▲ PRECAUCIÓN

No deje que la motosierra toque el suelo.

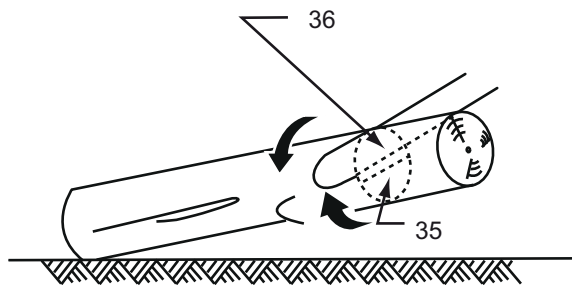
Es importante asegurarse de que su equilibrio sea seguro y que su peso esté distribuido uniformemente. Si es posible, levante el tronco y soplótelos con ramas, troncos o calzos. Respete las siguientes instrucciones:

33



32

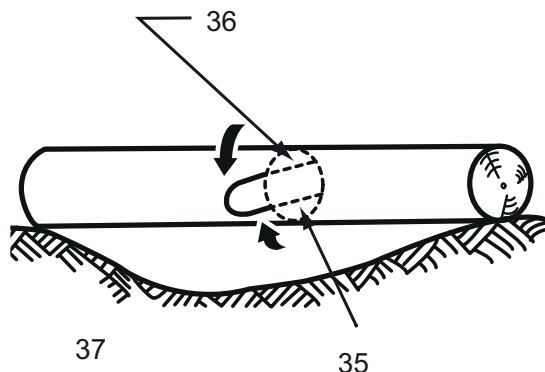
Cuando el tronco se mantenga apoyado longitudinalmente (32), córtelo desde la parte superior (33).



34

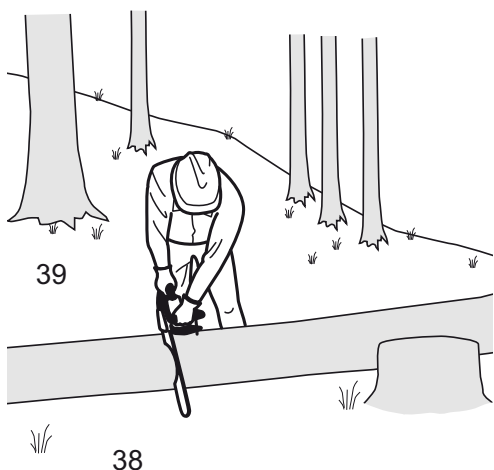
Cuando el tronco se sostenga en un extremo (34):

1. Corte la primera vez $1/3$ del diámetro desde la parte inferior (35).
2. Corte la segunda vez desde la parte superior (36) para finalizar el tronzado.



Cuando el tronco se sostenga en dos extremos (37):

1. Corte la primera vez $1/3$ del diámetro desde la parte superior (36).
2. Corte la segunda vez por debajo de $2/3$ desde la parte inferior para finalizar el tronzado (35).



Cuando el tronco esté en una pendiente:

1. Debe colocarse en el lado cuesta arriba.
2. Controle la motosierra completamente.
3. Sujete bien las asas de la motosierra.
4. Libere la presión de corte cerca del final del corte.

Cuando finalice el tronzado (38):

1. Espere que la cadena se detenga (39).
2. Asegúrese de que la motosierra esté apagada.
3. Compruebe si hay riesgos antes de pasar a otro árbol.

10 MANTENIMIENTO

▲ PRECAUCIÓN

No permita que líquidos de frenos, gasolina y otros derivados del petróleo toquen las piezas de plástico. Las sustancias químicas pueden dañar el plástico y hacer que quede inservible.

▲ PRECAUCIÓN

No utilice disolventes o detergentes fuertes en la carcasa o los componentes de plástico.

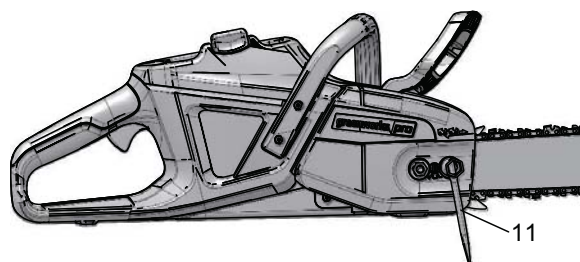
▲ AVISO

Retire la batería de la máquina antes de realizar tareas de mantenimiento.

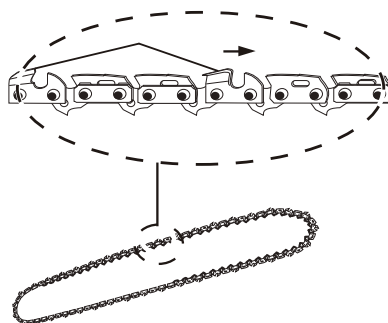
ES

10.1 SUSTITUCIÓN DE LA BARRA DE GUÍA Y LA CADENA

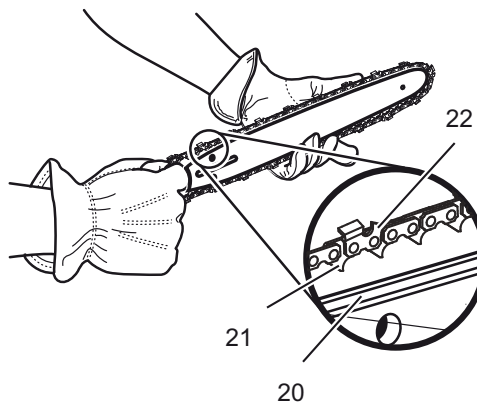
1. Retire las tuercas de la cubierta de la cadena con la llave (11).
2. Retire la cubierta de la cadena.



3. Introduzca los eslabones de accionamiento de la cadena (21) en la ranura de la barra (20).
4. Ponga los cortadores de la cadena (22) en la dirección de funcionamiento de la cadena.

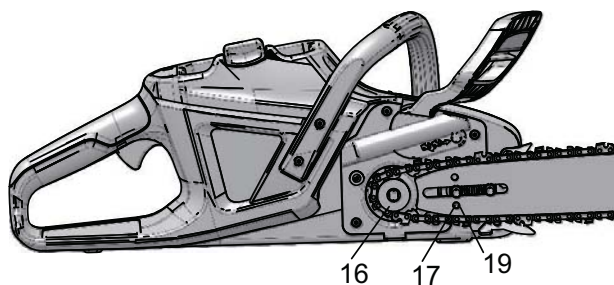


5. Coloque la cadena en su posición y asegúrese de que el bucle esté detrás de la barra de guía.
6. Sujete la cadena y la barra.



7. Ponga el bucle de cadena alrededor del piñón (16).

- Asegúrese de que el orificio del pasador de tensado de la cadena (19) en la barra de guía encaje correctamente con el perno (17).



- Instale la cubierta de la cadena.
- Apriete la cadena. Consulte *Ajuste de la tensión de la cadena*.
- Apriete las tuercas cuando la cadena esté correctamente tensada.

i NOTA

Si arranca la motosierra con una cadena nueva, haga una prueba de 2-3 minutos. Una cadena nueva se alarga después del primer uso, examine la tensión y apriete la cadena si es necesario.

10.2 AJUSTE DE LA TENSIÓN DE LA CADENA

Cuanto más se use una cadena, más se alarga. Por tanto, es importante ajustar la cadena periódicamente para compensar la holgura.

Tense la cadena de modo que tan solo pueda alejarse de la barra en su punto central.

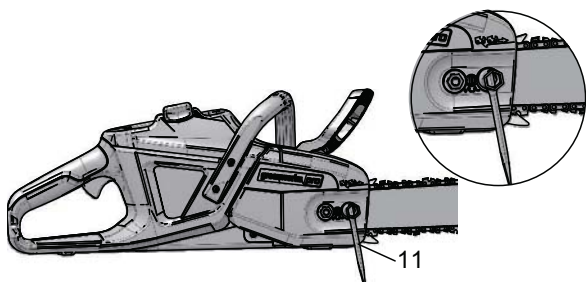
▲ AVISO

Una cadena floja puede saltar y producir lesiones graves o incluso fatales.

▲ PRECAUCIÓN

Lleve guantes de protección si toca la cadena, la barra o las zonas alrededor de la cadena.

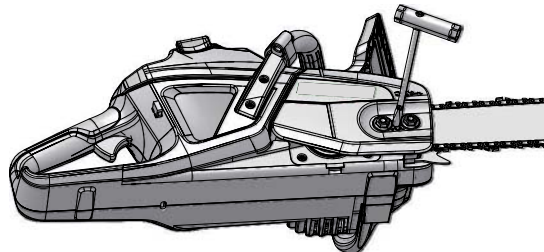
- Detenga la máquina.
- Afloje las contratuercas con la llave.



i NOTA

No es necesario retirar la cubierta de la cadena para ajustar la tensión de la cadena.

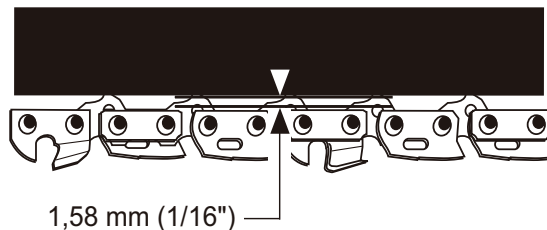
- Gire el tornillo de ajuste de la cadena en sentido horario para aumentar la tensión de la cadena.
- Gire el tornillo de ajuste de la cadena en sentido antihorario para disminuir la tensión de la cadena.



- Cuando la cadena tenga la tensión deseada, apriete las contratuercas.

i NOTA

Durante el funcionamiento normal de la sierra, la temperatura de la cadena aumenta. Los eslabones de accionamiento de una cadena caliente correctamente tensada colgarán aproximadamente 1,58 mm (1/16") fuera de la ranura de la barra.



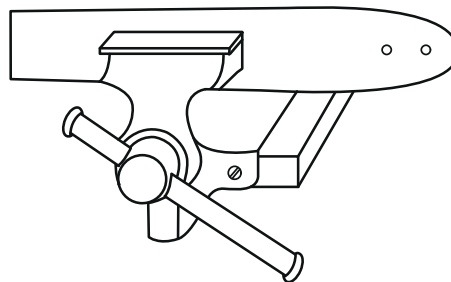
10.3 AFILADO DE LOS CORTADORES

Afile los cortadores si la cadena no penetra fácilmente en la madera.

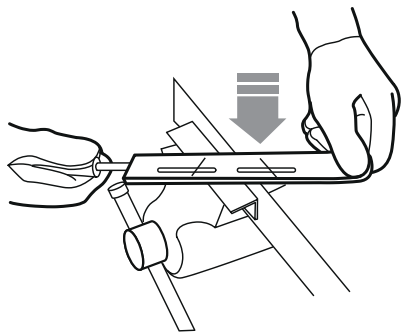
i NOTA

Recomendamos que un centro de servicio técnico, que tenga un afilador eléctrico, realice los trabajos importantes de afilado.

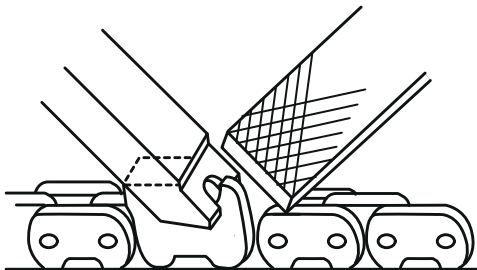
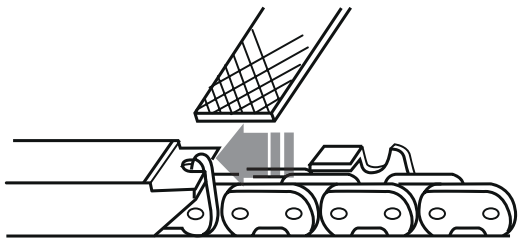
- Cadena tensora.



- Afile la esquina de los cortadores con una lima redonda de 5/32" (4 mm) de diámetro.



3. Afile la placa superior, la placa lateral y el calibrador de profundidad con una lima plana.



4. Afile todos los cortadores a los ángulos especificados y a la misma longitud.

i NOTA

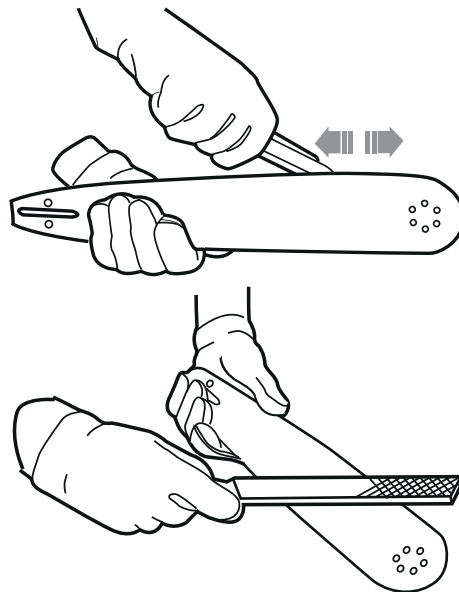
Durante el proceso:

- Mantenga la lima plana con la superficie que va a afilar.
- Utilice el punto medio de la barra de afilado.
- Emplee una presión ligera pero firme al afilar la superficie.
- Levante la lima en cada recorrido de retorno.
- Afile los cortadores en un lado y posteriormente pase al otro lado.

Sustituya la cadena si:

- La longitud de los filos de corte es inferior a 1/5 in. (5 mm).
- Hay demasiado espacio entre los eslabones de accionamiento y los remaches.
- La velocidad de corte es lenta.
- Se ha afilado la cadena muchas veces, pero no aumenta la velocidad de corte. La cadena está desgastada.

10.4 MANTENIMIENTO DE LA BARRA DE GUÍA



i NOTA

Asegúrese de que la barra se gire periódicamente para mantener el desgaste simétrico en la barra.

1. Lubrique los rodamientos en el piñón de la punta (si está presente) con la jeringa (no incluida).
2. Limpie la ranura de la barra con el gancho de rascado (no incluido).
3. Limpie los orificios de lubricación.
4. Elimine las rebabas de los bordes y nivele las cuchillas con una lima plana.

Sustituya la barra si:

- la ranura no se ajusta a la altura de los eslabones de accionamiento (que nunca deben tocar la parte inferior).
- el interior de la barra de guía está desgastado y hace que la cadena se incline hacia un lado.

11 TRANSPORTE Y ALMACENAMIENTO

Antes de mover la máquina, siempre

- Retire la batería de la máquina.
- Mantenga las manos alejadas del botón de desbloqueo.
- Coloque la vaina en la barra de guía y la cadena.

Antes de almacenar la máquina, siempre

- Retire todo el aceite residual de la máquina.
- Retire la batería de la máquina.
- Limpie todo el material no deseado de la máquina.
- Asegúrese de que la zona de almacenamiento esté
 - No disponible a los niños.

- Lejos de productos que puedan producir corrosión, como sustancias químicas para jardín y sales para descongelación.

12 SOLUCIÓN DE PROBLEMAS

Problema	Posible causa	Solución
La barra de guía y la cadena se calientan y sueltan humo.	La cadena está demasiado tensa.	Ajuste la tensión de la cadena.
	El depósito de aceite está vacío.	Añada aceite.
	La contaminación produce una obstrucción del orificio de descarga.	Retire la barra de guía y limpie el orificio de descarga.
	La contaminación produce una obstrucción del depósito de aceite.	Limpie el depósito de aceite. Añada aceite nuevo.
	La contaminación produce una obstrucción de la barra de guía y la tapa del depósito de aceite.	Limpie la barra de guía y la tapa del depósito de aceite.
	La contaminación produce una obstrucción del piñón o de las ruedas de guía.	Limpie el piñón y las ruedas de guía.

Problema	Posible causa	Solución
El motor funciona, pero la cadena no gira.	La cadena está demasiado tensa.	Ajuste la tensión de la cadena.
	La barra de guía y la cadena han sufrido daños.	Sustituya la barra de guía y la cadena en caso necesario.
	El motor ha sufrido daños.	<ol style="list-style-type: none"> Retire la batería de la máquina. Retire la cubierta de la barra de guía. Retire la barra y la cadena de la sierra. Limpie la máquina. Instale la batería y haga funcionar la máquina. <p>Si el piñón gira, significa que el motor funciona correctamente. En caso contrario, contacte con un centro de servicio.</p>
El motor funciona y la cadena gira, pero la cadena no corta.	La cadena está desafilada.	Afile o sustituya la cadena de la sierra.
	La cadena está en la dirección incorrecta.	Gire el bucle de cadena en la otra dirección.
	La cadena está tensa o floja.	Ajuste la tensión de la cadena.

Problema	Posible causa	Solución
La máquina no se pone en marcha.	El freno de la cadena está acoplado.	Tire del freno de la cadena en la dirección del usuario para desacoplarlo.
	La máquina y la batería no se han conectado correctamente.	Asegúrese de que el botón de desbloqueo de la batería haga clic cuando instale la batería.
	El nivel de la batería está bajo.	Cargue la batería.
	El botón de desbloqueo y el gatillo no se presionan al mismo tiempo.	<ol style="list-style-type: none"> 1. Pulse el botón de desbloqueo y sujételo. 2. Apriete el gatillo para arrancar la máquina.
	La batería está demasiado caliente o fría.	Consulte el manual de la batería y el cargador.
El motor funciona, pero la cadena no corta correctamente, o el motor se detiene después de unos 3 segundos.	La máquina está en el modo de protección para proteger la placa de circuitos impresos.	Suelte el gatillo y vuelva a arrancar la máquina. No fuerce la máquina para cortar.
	La batería no está cargada.	Cargue la batería. Consulte el manual de la batería y el cargador para conocer los procedimientos de carga correctos.
	La cadena no está lubricada.	Lubrique la cadena para disminuir la fricción. No deje que la barra de guía y la cadena funcionen si no tienen suficiente aceite.
	Temperatura incorrecta de almacenamiento de la batería	Enfríe la batería hasta que disminuya a la temperatura ambiente.

Problema	Posible causa	Solución
La máquina ha dejado de funcionar para proteger los circuitos internos.	La temperatura de funcionamiento de la máquina es demasiado alta.	Lleve la máquina a un lugar fresco y seco. Déjela descansar al menos 5-10 minutos. Si la protección es frecuente, aumente el tiempo de enfriamiento.

13 DATOS TÉCNICOS

Tensión	60 V DC
Velocidad sin carga	20 m/s
Longitud de barra de guía	18" (457 mm)
Paso de cadena	3/8" LP (9.5 mm)
Calibre de cadena	.050" (1.27 mm)
Eslabones de accionamiento	62
Capacidad de aceite para cadena	230 ml
Peso (sin batería)	9.3 lbs (4.2 kg)
Cadena	91P062X
Barra de guía	180SDEA041
Modelo de batería	LB604 y otras series BAC
Modelo de cargador	CAC801 y otras series CAC

El intervalo de temperatura ambiente recomendado:

Elemento	Temperatura
Intervalo de temperatura de almacenamiento del aparato	32°F (0°C) - 113°F (45°C)
Intervalo de temperatura de funcionamiento del aparato	32°F (0°C) - 113°F (45°C)
Intervalo de temperatura de carga de la batería	39°F (4°C) - 104°F (40°C)
Intervalo de temperatura de funcionamiento del cargador	39°F (4°C) - 104°F (40°C)
Intervalo de temperatura de almacenamiento de la batería	32°F (0°C) - 113°F (45°C)
Intervalo de temperatura de descarga de la batería	32°F (0°C) - 113°F (45°C)

14 GARANTÍA LIMITADA



Por la presente Greenworks garantiza este producto, al comprador original con el comprobante de compra, durante un periodo de cuatro (4) años frente a defectos en materiales, piezas o mano de obra. A su entera discreción Greenworks reparará o sustituirá cualquiera y todas las piezas que resulten ser defectuosas, con un uso normal, sin coste alguno para el cliente. Esta garantía es válida únicamente para unidades que se hayan utilizado para uso personal que no han sido arrendadas o alquiladas para uso industrial/comercial y cuyo mantenimiento se ha realizado de acuerdo con las instrucciones del manual del propietario suministrado con el producto nuevo.

ARTÍCULOS NO CUBIERTOS POR LA GARANTÍA:

1. Cualquier pieza que no funcione debido a mal uso, uso comercial, abuso, negligencia, accidente, mantenimiento inadecuado o alteración; o
2. La unidad, si no ha sido utilizada o mantenida de acuerdo con el manual del propietario; o
3. Desgaste normal, excepto en lo indicado a continuación;
4. Artículos de mantenimiento de rutina tales como lubricantes, afilado de cuchillas;
5. Deterioro normal del acabado exterior debido al uso o la exposición.

LÍNEA DE ASISTENCIA TELEFÓNICA:

Puede contactar con el servicio de garantía llamando a nuestra línea de asistencia telefónica gratuita, a 1-855-345-3934.

COSTES DE TRANSPORTE:

Los costes de transporte por el desplazamiento de cualquier unidad o accesorio de equipos eléctricos son responsabilidad del comprador. Es responsabilidad del comprador pagar los costes de transporte de cualquier pieza enviada para su sustitución bajo esta garantía, a menos que dicha devolución sea solicitada por escrito por Greenworks.

Dirección en EE.UU.:

Greenworks Tools

P.O. Box 1238

Mooresville, NC 28115

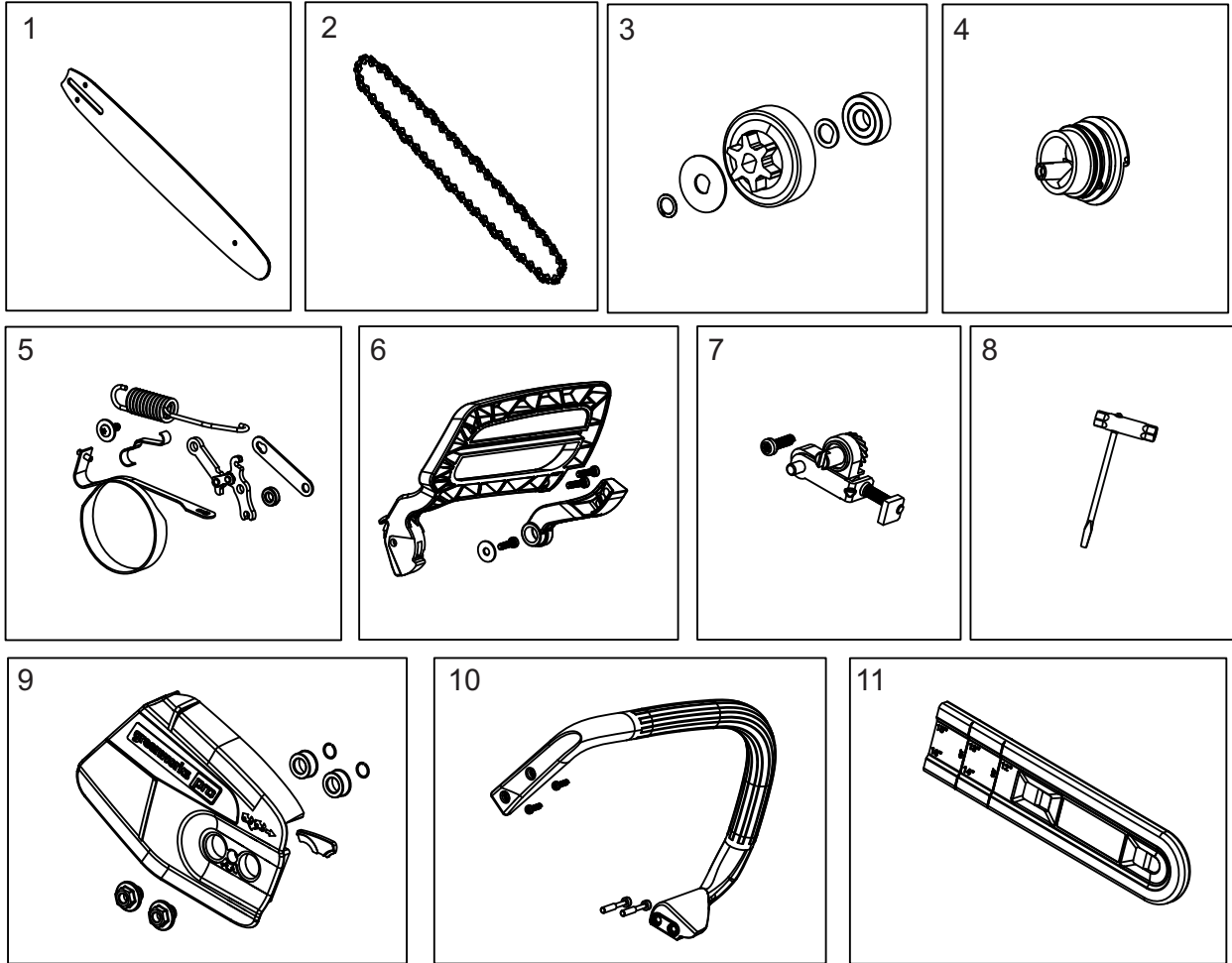
Dirección en Canadá:

Greenworks Tools Canada Inc.

P.O. Box 93095, Newmarket,
Ontario

L3Y 8K3

15 VISTA DESPIEZADA



Nº	Nº pieza	Cant.	Descripción	Nº	Nº pieza	Cant.	Descripción
1	R0201872-00	1	Barra	7	R0200896-00	1	Kit de tensor
2	RB322041075	1	Cadena	8	RB333001890	1	Llave
3	R0200302-00	1	Kit de piñón	9	R0202163-00	1	Conjunto de cubierta de piñón
4	R0200303-00	1	Conjunto de tapa de aceite	10	R0200306-00	1	Kit de asa auxiliar
5	R0201868-00	1	Kit de freno de cadena	11	RB341182031B	1	Vaina
6	R0200009-00	1	Asa de freno de cadena				

