


greenworks[®]

19" 40 V Lithium-Ion Mower 2508402



Intertek
3091488

Owner's Manual

TOLL-FREE HELPLINE: 1-888-90WORKS (888.909.6757)

www.GreenWorksTools.com

 Read all safety rules and instructions carefully before operating this tool.

CONTENTS

Contents	2
Product specifications.....	2
Safety information.....	3
Symbols.....	8
Know your lawn mower	10
Assembly	11
Operation.....	18
Battery charger.....	23
Maintenance	25
Service	28
Environmentally safe battery disposal	29
Troubleshooting	30
Warranty.....	31
Exploded View	32
Parts List.....	33

PRODUCT SPECIFICATIONS

19" 40 V LITHIUM-ION CORDLESS MOWER

Battery type	40V Lithium-ion
Charger time.....	2.5 hours
No-load speed.....	2800 RPM
Cutting path	19" (46 cm)
Height adjustments.....	1 3/8 - 3 3/4" (3.5 - 9.5 cm)
Functions.....	3-in-1: Mulch, side discharge or rear bag
Unit weight.....	54.2 lbs (24.6 kg)



SAFETY INFORMATION

GENERAL SAFETY RULES

WARNING: when using electric lawn mowers , basic safety precautions should always be followed to reduce the risk of fire, electric shock, and personal injury, including the following:

READ ALL INSTRUCTIONS CAREFULLY

▲ W A R N I N G

This symbol indicates important safety instructions. If these instructions are not followed, it could endanger the personal safety and/or property of the operator and others. Read and understand all instructions in this manual before attempting to operate the mower. Failure to comply with these instructions may result in personal injury.

▲ D A N G E R

This mower was built to be operated according to the rules for safe operation that are contained in this manual. As with any type of power equipment, carelessness or error on the part of the operator can result in serious injury. This mower is capable of amputating body parts and throwing objects. Failure to observe the following safety rules could result in serious injury or death.

▲ W A R N I N G

Basic safety precautions should always be followed when using electric lawn mowers, in order to reduce the risk of fire, electric shock, and personal injury.

▲ W A R N I N G

Use of this mower should be restricted to individuals who have read and understood and will follow the warnings and instructions that are printed in this manual and on the mower.

- Carefully read all instructions on the mower and in the manual before attempting to assemble and operate the mower. Keep this manual in a safe place for future reference, and consult it regularly.
 - Become familiar with all controls and their proper operation. Know how to stop the mower and how to disengage the power in an emergency.
 - In order to avoid contact with the blade or injury caused by a thrown object, stay in the operating zone behind the handles, and keep children and bystanders at least 100' (30 m) away from the mower while it is in operation. Stop the motor immediately if someone enters the mowing area.
 - Thoroughly inspect the area where the mower is to be used. Remove all stones, sticks, wire, bones, toys, and other objects that could be tripped over or thrown by the blade. Thrown objects can cause serious personal injury.
 - Plan your mowing pattern in such a way as to avoid discharging material toward roads, sidewalks, bystanders, etc. Do not discharge material against a wall or obstruction. Doing so may cause the discharged material to ricochet back toward the operator.
-

SAFETY INFORMATION

- Always wear proper eye protection that complies with ANSI Z87.1 in order to protect your eyes while operating or performing any adjustment or repair. Thrown objects that ricochet can cause serious eye injury.
- Always wear a face mask or a dust mask when operating the mower in a dusty environment.
- Dress properly. Do not wear loose clothing or jewellery that can get caught in moving parts. The wearing of protective gloves and safety footwear is recommended.
- Many injuries occur as a result of the mower being pulled over the operator's foot during a fall caused by slipping or tripping. Do not operate this mower in bare feet, or while wearing sandals or lightweight (e.g., canvas) shoes. Do not hold on to the mower if you are falling. Release the handle immediately.
- Never pull the mower back toward you while you are walking. If you must back the mower away from a wall or an obstruction, first look down and behind in order to avoid tripping, and then follow these steps:
 - Step back from the mower in order to fully extend your arms.
 - Be sure that you are well balanced.
 - Pull the mower back slowly.
- Do not use the mower for any job except that for which it is intended. Do not force the mower.
- Do not operate the mower while under the influence of alcohol or drugs.
- Stay Alert: Do not operate the mower when you are tired. Pay attention to what you are doing. Use common sense.
- Do not put hands or feet near rotating parts or under the cutting deck. Contact with the blade can amputate hands and feet.
- Do not attempt to adjust the wheels or the cutting height while the motor is running.
- Avoid dangerous environments. Do not operate the mower in the rain or in wet or damp grass.
- Mow only in daylight or in good artificial light. Do not rush a mowing job.
- Stop the blade when crossing gravel driveways, walkways, or roads.
- If the mower starts to vibrate excessively, stop the motor and check for the cause immediately. Vibration is generally a warning of trouble.
- Stop the motor and wait until the blade comes to a complete stop before removing the grass catcher or unclogging the chute. The cutting blade will continue to rotate for a few seconds after the motor is shut off. Do not place any part of your body in the blade area until you are sure that the blade has stopped rotating.
- Never operate the mower without a proper trail shield, discharge cover, grass catcher, switch control, or other safety device in place and in working order. Do not operate the mower with damaged safety devices. Doing so can result in injury.
- Don't force the lawn mower. It will do the job better and safer at the rate for which it was designed.
- Never operate the mower without the proper safety devices in place and working.
- Store idle lawn mower indoors. When not in use, the lawn mower should be stored indoors in a dry and locked area, out of reach of children.

SAFETY INFORMATION

- Maintain the lawn mower. Keep cutting edges sharp and clean for best and safest performance.
- If the lawn mower strikes a foreign objects follow these steps:
 - Stop the lawn mower, release the switch.
 - Remove the battery.
 - Inspect for damage.
 - Repair any damage before restarting and operating the lawn mower.
- Do not charge the lawn mower in rain or in a wet location.
- Remove or disconnect battery before servicing, cleaning or removing material from the lawn mower.
- Inspect the lawn mower cord periodically and if damaged, have it repaired by an authorized service facility.
- Use identical replacement blades only.
- Store indoors, and do not expose to rain or water, avoid direct sunshine.

▲ W A R N I N G

To reduce the risk of damage and danger, never clean the tool with a pressure washer or under running water.

▲ W A R N I N G

Store indoors only. Always remove the battery from the mower when cleaning or storing the tool.

CHILD SAFETY

Tragic accidents can occur if the operator is not aware of the presence of children.

- Keep children out of the mowing area and under the watchful care of a responsible adult.
- Do not allow children under the age of 14 to operate this mower. Children who are 14 years of age and older must read and understand the operating instructions and safety rules in this manual, and must be trained and supervised by a parent.
- Stay alert, and turn the mower off if a child or any other person enters the mowing area.
- Look behind and down for small children before and while moving backwards.
- Use extreme care when approaching blind corners, doorways, shrubs, trees, or other objects that may obscure your view of a child who may run into the path of the mower.

BATTERY & CHARGER

▲ C A U T I O N

USE ONLY GREENWORKS APPROVED REPLACEMENT BATTERIES, OTHER BATTERIES MAY CAUSE INJURY OR DAMAGE TO THE MOWER. Use with GREENWORKS 40V battery (#2907002). For use only with Greenworks 29692 charger.

SAFETY INFORMATION

BATTERY SAFETY RULES

- Battery powered tools do not have to be plugged into an electrical outlet; therefore, they are always in operating condition. Be aware of possible hazards when not using your battery powered tool or when changing accessories. Following this rule will reduce the risk of electric shock, fire, or serious personal injury.
- Do not place battery powered tools or their batteries near fire or heat. This will reduce the risk of explosion and possibly injury.
- Do not crush, drop or damage battery packs. Do not use a battery pack or charger that has been dropped or received a sharp blow. A damaged battery is subject to explosion. Properly dispose of a dropped or damaged battery immediately.
- Batteries can explode in the presence of a source of ignition, such as a pilot light. To reduce the risk of serious personal injury, never use any cordless product in the presence of an open flame. An exploded battery can propel debris and chemicals. If exposed, flush with water immediately. Do not charge battery in a damp or wet location. Following this rule will reduce the risk of electric shock.
- For best results, your battery should be charged in a location where the temperature is more than 45°F (7°C) but less than 104°F (40°C). To reduce the risk of serious personal injury, do not store outside or in vehicles.
- Under extreme usage or temperature conditions, battery leakage may occur. If liquid comes in contact with your skin, wash immediately with soap and water. If liquid gets into your eyes, flush them with clean water for at least 10 minutes, then seek immediate medical attention. Following this rule will reduce the risk of serious personal injury.
- When the battery pack is not in use, keep it away from other metal objects like: paper clips, coins, keys, nails, screws, or other small metal objects that can make a connection from one terminal to another. Shorting the battery terminals together may cause sparks, burns, or a fire.
- Always remove the battery pack from your tool when you are assembling parts, making adjustments, cleaning, or when not in use. Removing the battery pack will prevent accidental starting that could cause serious personal injury.
- Always remove the battery pack before storing the device. When the battery becomes fully charged, unplug the charger from the power supply and remove the battery pack from the charger.
- Always wear eye protection with side shields marked to comply with ANSI Z87.1, along with hearing protection. Failure to do so could result in objects being thrown into your eyes and other possible serious injuries.
- Keep the battery pack dry, clean, and free from oil and grease. Always use a clean cloth when cleaning. Never use brake fluids, gasoline, petroleum-based products, or any solvents to clean battery pack.
- Do not open or mutilate the battery. Released electrolyte is corrosive and may cause damage to the eyes or skin. It may be toxic if swallowed.

PROPER CARE FOR THE BATTERY

Off-season storage

To obtain the longest possible battery life, we suggest the following:

- Remove the battery pack from the charger once it is fully charged and ready for use.

SAFETY INFORMATION

For battery pack storage longer than 30 days:

- Store the battery pack where the temperature is below 80°F and away from moisture.
- Store battery packs in a 30%-50% charged condition.
- Every six months of storage, charge the pack as normal.

CHARGER SAFETY RULES

- Charge the mower battery in a dry area that is protected from the weather. Do not expose the mower or the charger to rain. Do not charge the battery in a wet location. Operate the battery charger in temperatures between 45°F (7°C) and 104°F (40°C). In order to reduce the risk of electric shock, use only the charger that is provided by the manufacturer to charge the battery.
- DO NOT ABUSE THE CHARGE CORD. Never carry the charger by the cord. Do not disconnect the charger from the outlet by pulling the charger cord.
- Do not use a damaged charger. Replace the charger cords or the charger immediately.
- Keep the mower and the charger away from water, heat sources (radiators, heaters, stoves, etc.), flames, and chemicals.
- Make sure the battery pack is secured in the charger before beginning operation.
- The battery pack will become slightly warm to the touch while charging. This is normal and does not indicate a problem.
- Do not place the charger and battery pack in an area of extreme heat or cold. They will work best at normal room temperature.
- When batteries become fully charged, unplug the charger from the power supply and remove the battery pack.

▲ W A R N I N G

When transporting or servicing unit, always remove the battery.

▲ W A R N I N G (P R O P O S I T I O N 6 5)

Some dust created by power sanding, sawing, grinding, drilling and other construction activities contains chemicals known to the state of California to cause cancer, birth defects or other reproductive harm. Some examples of these chemicals are:










- Lead from lead-based paints,
- Crystalline silica from bricks and cement and other masonry products, and
- Arsenic and chromium from chemically-treated lumber.

Your risk from these exposures varies, depending on how often you do this type of work. To reduce your exposure to these chemical: work in a well ventilated area, and work with approved safety equipment, such as those dust masks that are specially designed to filter out microscopic particles.

SAVE THESE INSTRUCTIONS




SYMBOLS

Some of the following symbols may be used on this product. Please study them and learn their meaning. Proper interpretation of these symbols will allow you to operate the product better and safer.

SYMBOL	NAME	DESIGNATION/EXPLANATION
V	Volts	Voltage
A	Amperes	Current
Hz	Hertz	Frequency (cycles per second)
W	Watts	Power
min	Minutes	Time
~	Alternating Current	Type of current
—	Direct Current	Type or a characteristic of current
n_0	No Load Speed	Rational speed, at no load
/min	Per Minute	Revolutions, strokes, surface speed, orbits etc., per minute
	Safety Alert	Precautions that involve your safety.
	Wet Conditions Alert	Do not expose to rain or use in damp locations
	Read The Operator's Manual	To reduce the risk of injury user must read and understand operator's manual before using this product.
	Eye Protection	Always wear eye protection with side shields marked to comply with ANSI Z87.1 when operating this equipment.
	Keep Hands and Feet Away	Keep hands and feet away from blade and cutting area.
	No Reach	Do not reach hands or feet under mower deck.
	No Slope	Do not operate on inclines greater than 15°. Mow across the face of slopes, never up and down.
	Keep Bystanders Away	Keep all bystanders at least 100 ft (30 m) away.
	Ricochet	Pay attention that bystanders are not injured through foreign objects thrown from the mower.

SYMBOLS


The following signal words and meanings are intended to explain the levels of risk associated with this product.

SYMBOL	SIGNAL	MEANING
	DANGER	Indicates an imminently hazardous situation, which, if not avoided, will result in death or serious injury.
	WARNING	Indicates a potentially hazardous situation, which, if not avoided, could result in death or serious injury.
	CAUTION	Indicates a potentially hazardous situation, which, if not avoided, may result in minor or moderate injury.
	CAUTION	(Without Safety Alert Symbol) Indicates a situation that may result in property damage.

ENVIRONMENTAL PROTECTION



Waste electrical products should not be disposed of with household waste. Please recycle where facilities exist. Check with your local authority or retailer for recycling advice.

 The battery contains material which is hazardous to you and the environment. It must be removed and disposed of separately at a facility that accepts lithium-ion batteries.

SERVICE

Servicing requires extreme care and knowledge and should be performed only by a qualified service technician. For service we suggest you return the product to your nearest **AUTHORIZED SERVICE CENTER** for repair. When servicing, use only identical replacement parts.

WARNING

To avoid serious personal injury, do not attempt to use this product until you have read this Owner's Manual thoroughly and understand it completely. If you do not understand the warnings and instructions in this Owner's Manual, do not use this product. Call the Toll-free Helpline (1-888-909-6757) for assistance.

WARNING

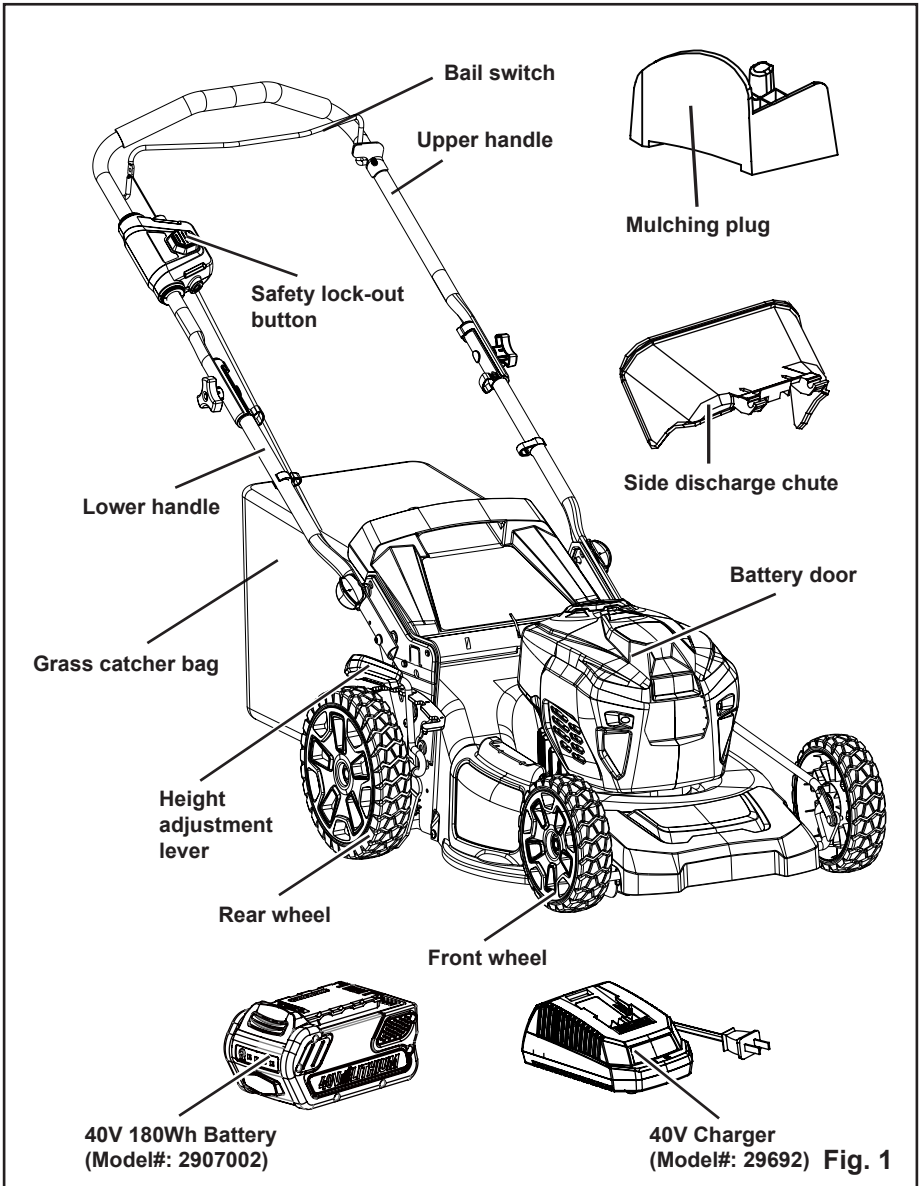


The operation of any power tool can result in foreign objects being thrown into your eyes, which can result in severe eye damage. Before beginning power tool operation, always wear safety goggles or safety glasses with side shields and, when needed, a full face shield. We recommend Wide Vision Safety Mask for use over eyeglasses or standard safety glasses with side shields. Always use eye protection which is marked to comply with ANSI Z87.1.

SAVE THESE INSTRUCTIONS

KNOW YOUR LAWN MOWER

Read this operator's manual and safety rules before operating your lawn mower. Compare the illustration in Figure 1 to your lawn mower in order to familiarize yourself with the location of various controls and adjustments. Save this manual for future reference.



ASSEMBLY INSTRUCTIONS

UNPACKING

- Carefully remove the product and any accessories from the box. Make sure that all items listed in the packing list are included.
- Inspect the product carefully to make sure no breakage or damage occurred during shipping.
- Do not discard the packing material until you have carefully inspected and satisfactorily operated the product.
- If any parts are damaged or missing, please call 1-888-909-6757 for assistance.

PACKING LIST

- | | |
|------------------------|------------------|
| • Lawn mower | • Safety key |
| • Mulching plug | • 40V Battery |
| • Grass catcher bag | • 40V Charger |
| • Side discharge chute | • Owner's Manual |

▲ W A R N I N G

If any parts are damaged or missing do not operate this product until the parts are replaced. Using a product with damaged or missing parts could result in serious personal injury.

▲ W A R N I N G

Do not attempt to modify this product or create accessories not recommended for use with this product. Any such alteration or modification is misuse and could result in a hazardous condition leading to possible serious personal injury.

▲ W A R N I N G

Do not insert the battery until assembly is complete and you are ready to mow. Failure to comply could result in accidental starting and possible serious personal injury.

▲ W A R N I N G

To prevent accidental starting that could cause serious personal injury, always remove the battery pack from the product when assembling parts.

▲ W A R N I N G

Never operate the mower without the proper safety devices in place and in good working order. Never operate the mower with damaged safety devices. Operation of this product with damaged or missing parts could result in serious personal injury.

ASSEMBLY INSTRUCTIONS

UNFOLDING AND ADJUSTING LOWER HANDLE (See Figure 2)

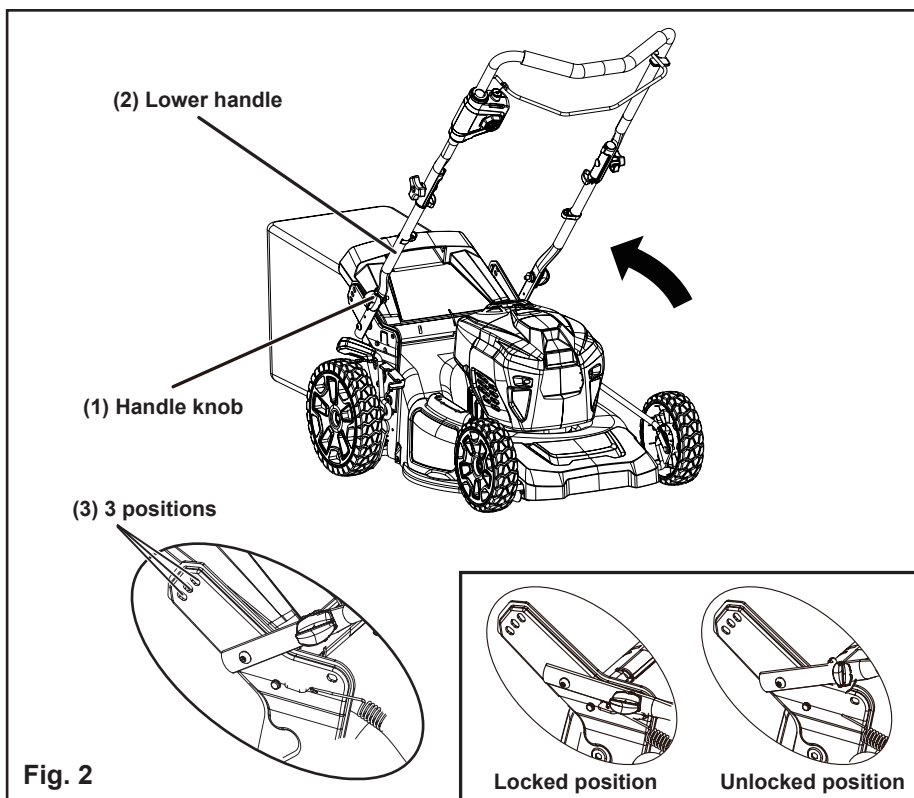
⚠ WARNING

Folding or unfolding the handle improperly can damage the cables, causing an unsafe operating condition.

- Do not damage the cables when folding or unfolding the handle.
- If a cable is damaged, contact an Authorized Service Dealer.

- Pull and rotate the handle knobs (1) 90° on both sides to loosen the lower handles (2) on both sides.
- Move the lower handles to the operating position. You may raise or lower the handle to a position comfortable for you. There are 3 positions (3) for you to choose. Release the handle knobs to lock the lower handle into position.

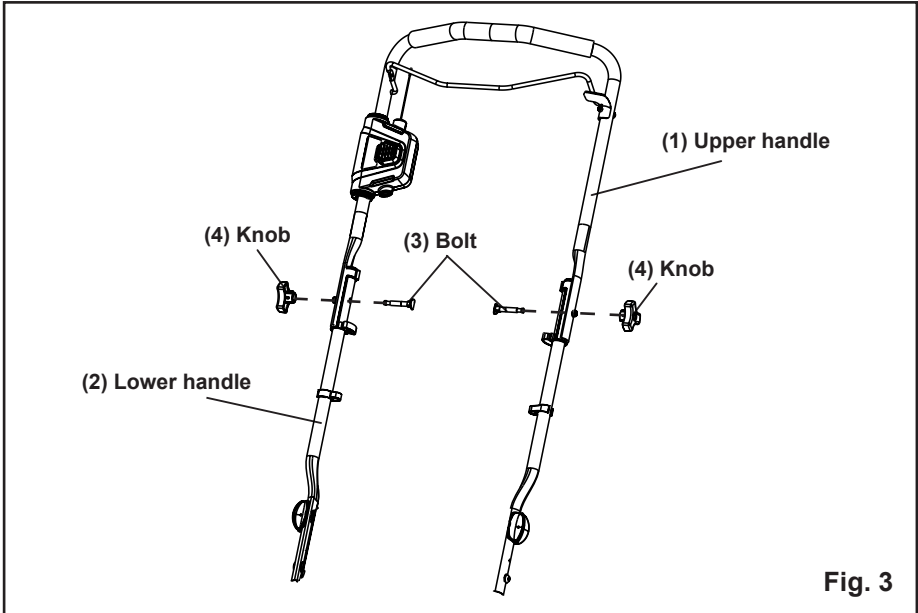
Note: Ensure both sides are set at the same position for proper assembly.



ASSEMBLY INSTRUCTIONS

INSTALLING THE UPPER HANDLE *(See Figure 3)*

- Align the mounting holes on the upper handle (1) and the lower handle (2). Insert the carriage bolts (3) and use the knobs (4) to tighten them. Repeat the operation on the other side.

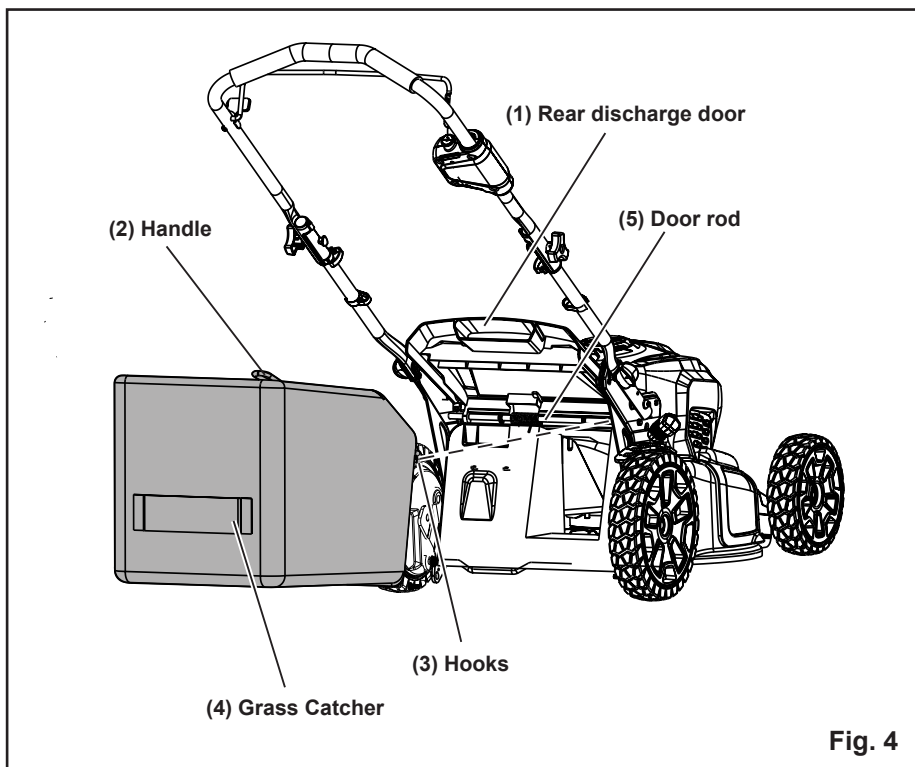


ASSEMBLY INSTRUCTIONS

INSTALLING THE GRASS CATCHER BAG (See Figure 4)

- Lift the rear discharge door (1).
- Lift the grass catcher by its handle (2) and place under the rear discharge door so that the hooks (3) on the grass catcher (4) are seated on the door rod (5).
- Release the rear discharge door. When installed correctly, the hooks on the grass catcher will extend through the openings on the rear discharge door.

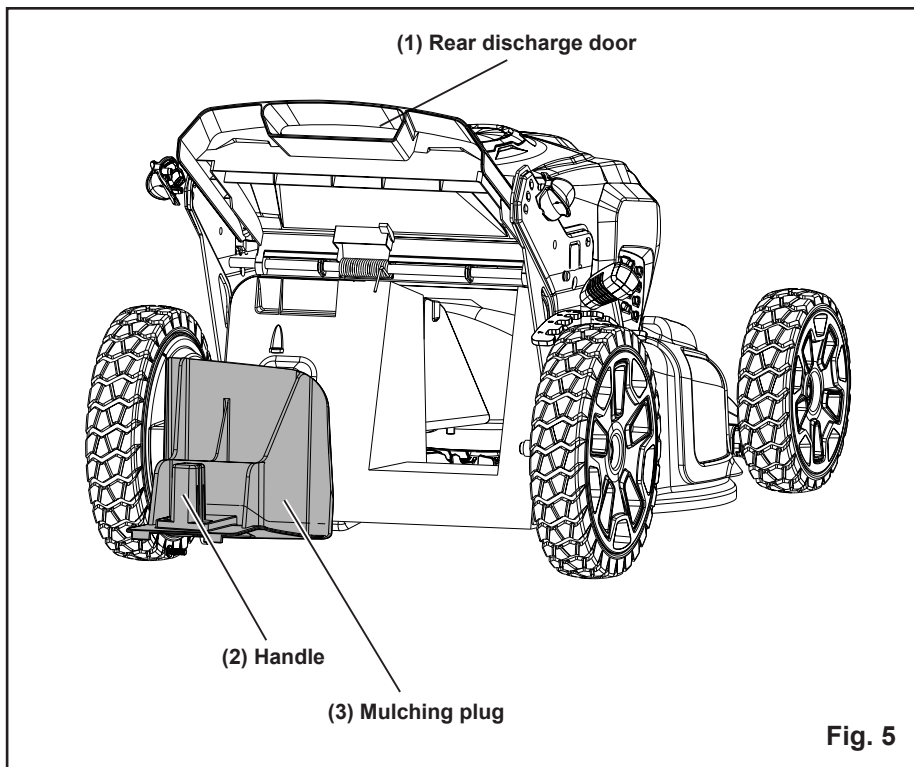
NOTE: When using the grass catcher, do not install either the side discharge deflector or the mulching plug.



ASSEMBLY INSTRUCTIONS

INSTALLING THE MULCHING PLUG (See Figure 5)

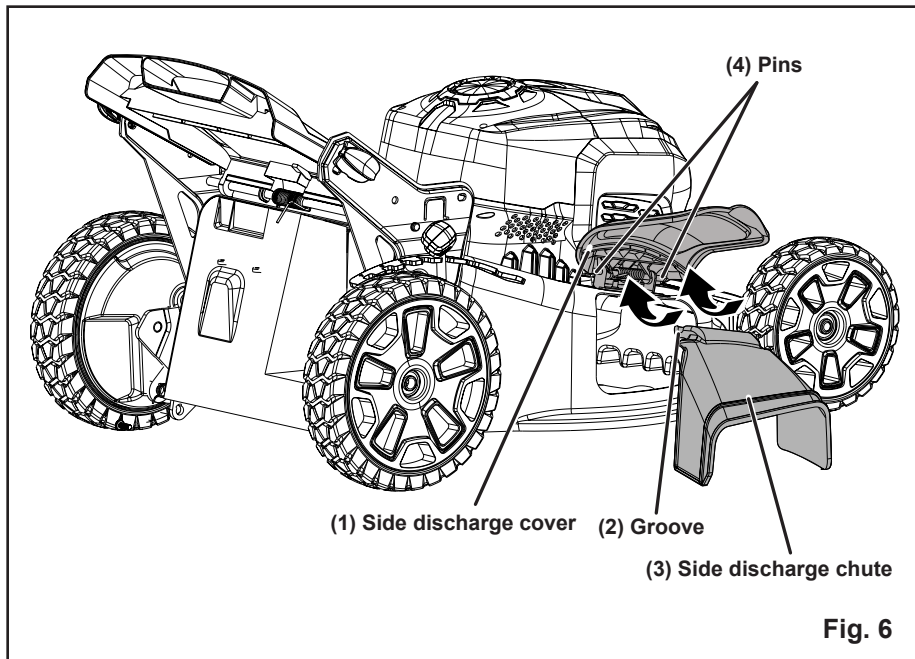
- To remove the mulching plug, lift the rear discharge door (1).
- Grasp the handle (2) of the mulching plug. Using this handle, lift and pull the mulch plug out.
- The mulching plug (3) is inserted on an angle, so it requires some force to remove it.
- The mulching plug must be removed in order to install the grass catcher bag.
- The mulching plug must be re-installed when the grass catcher bag is removed.



ASSEMBLY INSTRUCTIONS

INSTALLING THE SIDE DISCHARGE CHUTE (See Figure 6)

- Lift the side discharge cover (1).
- Align the grooves (2) on the side discharge chute (3) with the pins (4) on the underside of the discharge cover.
- Lower the discharge chute until the hooks on the mower deck are secured in the openings of the discharge chute.
- Release the side discharge cover.



ASSEMBLY INSTRUCTIONS

TO INSTALL THE BATTERY PACK (See Figure 7)

- Lift and hold up the battery door (1).
- Align the battery (2) with the mower's battery port.
- Insert the battery into the left battery compartment (3) to start the mower. This mower is equipped with a battery storage compartment (4) which offers a convenient place for storing your battery when not in use, or to store an extra battery pack to extend your run-time.
- Make sure the battery release button snaps in place and that battery is fully seated and secure in the mower before beginning operation.
- Insert the safety key (5). If the machine is not going to be used immediately, do not insert the safety key.
- Close the door.

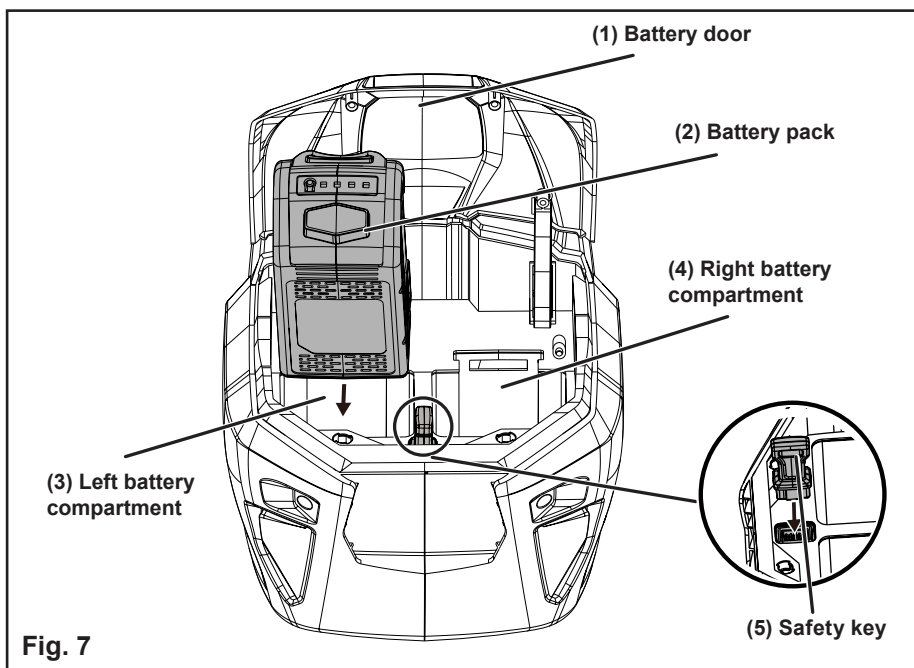


Fig. 7

TO REMOVE THE BATTERY PACK (See Figure 7)

- Release the bail lever to stop the mower.
- Open the battery door.
- Remove the safety key.
- Press the battery release button. This will cause the battery to raise out of the tool slightly.
- Remove the battery from the mower.

OPERATING YOUR LAWN MOWER

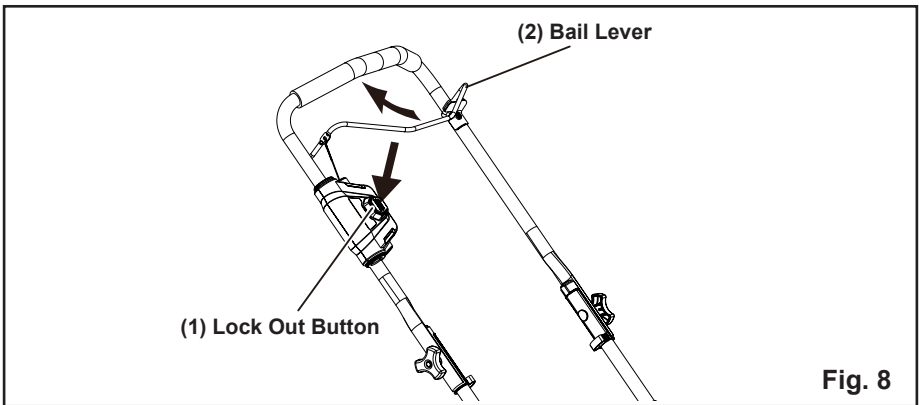
STARTING/STOPPING THE MOWER (See Figure 8)

To start the motor:

- Open the battery door and insert the battery and safety key. (See Fig. 7)
- Press and hold the safety lock-out button (1). (See Fig. 8)
- Pull the bail switch (2) upward to the handle to start the mower and release the button.

To stop the motor:

- Release the bail switch.



CAUTION

Do not attempt to override the operation of the start button or bail lever.

WARNING

The operation of any mower can result in foreign objects being thrown into the eyes, which can cause severe eye damage. Always wear safety glasses while operating the mower and while performing any adjustments or repairs.

WARNING

Ensure that other people and pets remain at least 100' (30 m) away when the mower is in use.

INSPECT THE CUTTING AREA. Remove all stones, sticks, wire, bones, and other debris that might be thrown by the rotating blades.

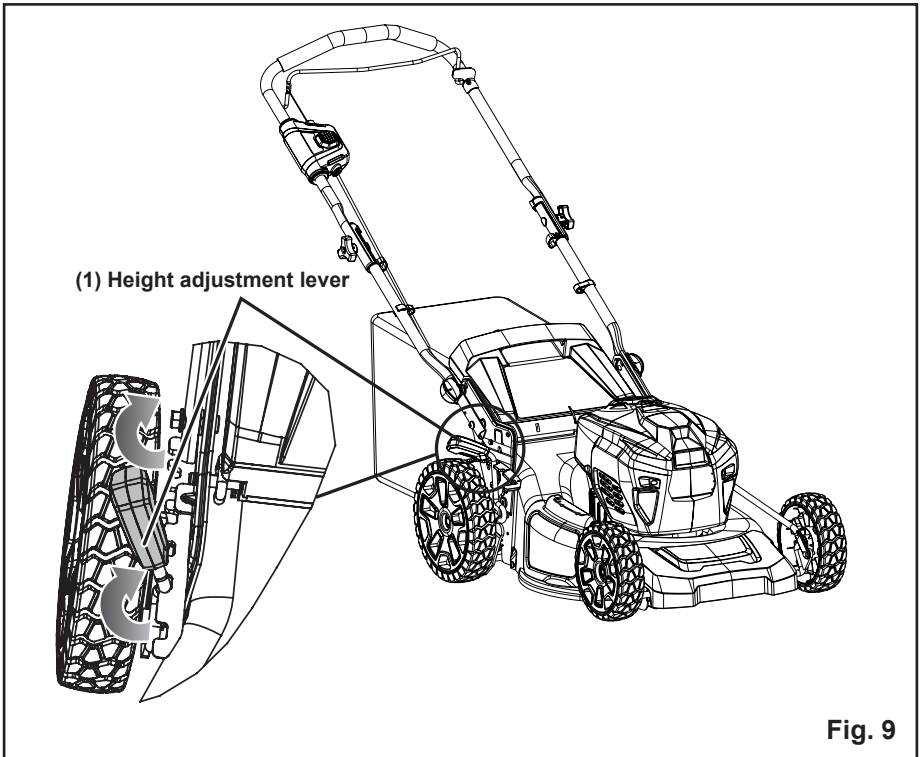
OPERATING YOUR LAWN MOWER

CUTTING HEIGHT ADJUSTMENT (See Figure 7)

When shipped, the wheels on the mower are set to a low-cutting position. Before using the mower for the first time, raise the cutting position to the height best suited for your lawn. The average lawn should be between 1 1/2" to 2" (3.8 to 5 cm) during cool months and between 2" and 3 1/2" (5 cm to 8.3 cm) during hot months.

To adjust the blade height:

- To raise the blade height, grasp the height adjustment lever (1) and move it toward the back of the mower.
- To lower the blade height, grasp the height adjustment lever (1) and move it toward the front of the mower.



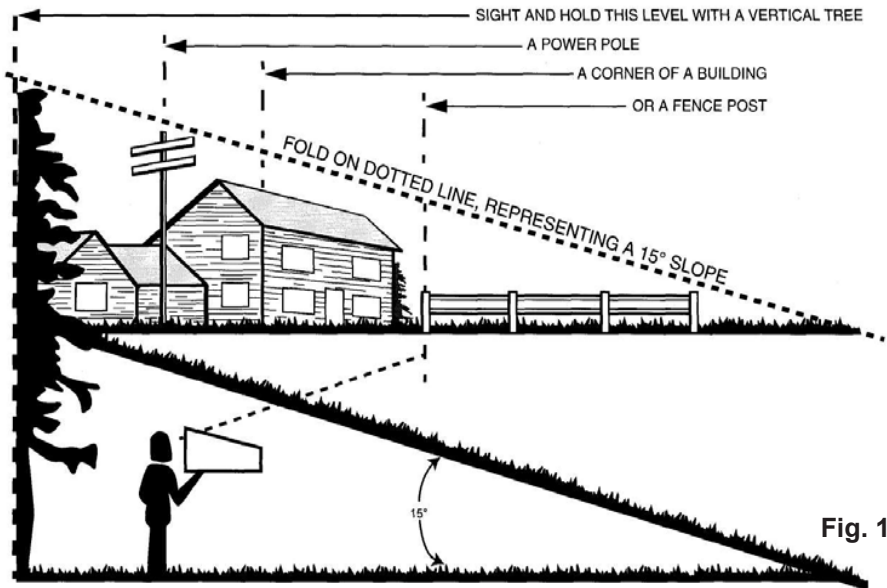
OPERATING YOUR LAWN MOWER

SLOPE GAUGE (See Figure 10)

▲ WARNING

Slopes are a major factor related to accidents involving slips and falls, which can result in severe injury. Operating the mower on a slope requires extra caution. If you feel uneasy on a slope, do not mow it. For your safety, use the slope gauge that is included as part of this manual to measure slopes before operating this unit on a sloped or hilly area.

- Mow across the face of a slope, and never up and down. Exercise extreme caution when changing direction on a slope.
- Watch for holes, ruts, rocks, hidden objects, or bumps that may cause a slip or a trip. Tall grass can hide obstacles.
- Always be sure of your footing. If you feel like you are losing your balance, release the bail switch immediately. The blade will stop rotating within 3 seconds.
- Do not mow near drop-offs, ditches, or embankments, because you could lose your footing or balance.
- Do not mow a slope that has an angle of greater than 15° , as determined using the slope gauge.
- Do not mow wet or damp grass. Unstable footing can cause slipping.



▲ WARNING

Do not mow a slope that has an angle of greater than 15° (a rise of approximately $2\ 1/2'$ [.75 m] every $10'$ [3 m]). Mow across the face of a slope, and never up and down.

OPERATING YOUR LAWN MOWER

MOWING TIPS

NOTE: A sharp blade will greatly enhance the performance of the mower, especially when cutting high grass. Be sure to check the blade and to sharpen it at least once per year, as described in the Maintenance section.

- Verify that the lawn is free of stones, sticks, wires, and other objects that could damage the blades or the motor. These objects could be accidentally thrown by the mower in any direction, and could cause serious personal injury to the operator and to others. In order to prevent electric shock, do not operate the mower in damp or wet conditions.
- Do not mow in circles. Travel back and forth across the lawn.
- When cutting thick grass, reduce walking speed in order to allow for a more effective cut and a proper discharge of the clippings.
- For a healthy lawn, always cut off one-third or less of the total length of the grass. The average lawn should be approximately 1 1/2 to 2" (3.8 to 5 cm) long during cool months, and between 2" to 3 1/4" (5 cm to 8.3 cm) long during hot months. If there is growth, the lawn should be cut in the fall.

MULCHING TIPS

NOTE: INSPECT THE AREA WHERE THE MOWER IS TO BE USED, AND REMOVE ALL STONES, STICKS, WIRE, BONES, AND OTHER DEBRIS THAT MIGHT BE THROWN BY THE ROTATING BLADE.

- Release the bail switch to turn the mower OFF when crossing any graveled area (stones can be thrown by the blade).
- Set mower to the highest cutting height when mowing on uneven ground or in tall weeds.
- For effective mulching, do not cut wet grass, because it tends to stick to the underside of the deck, preventing proper mulching of grass clippings. New or thick grass may require a narrower cut. The ground speed should be adjusted to the condition of the lawn. If mowing has been delayed and the grass has been allowed to grow longer than 4" (10 cm), mow the lawn twice in order to reduce the grass height to a maximum of 3 1/4" (8.3 cm).
- Walk at a steady pace. Overlap the cutting rows. Do not let the grass get too tall. If the grass gets too long, start at the highest cutting position and work down to the desired cutting height.

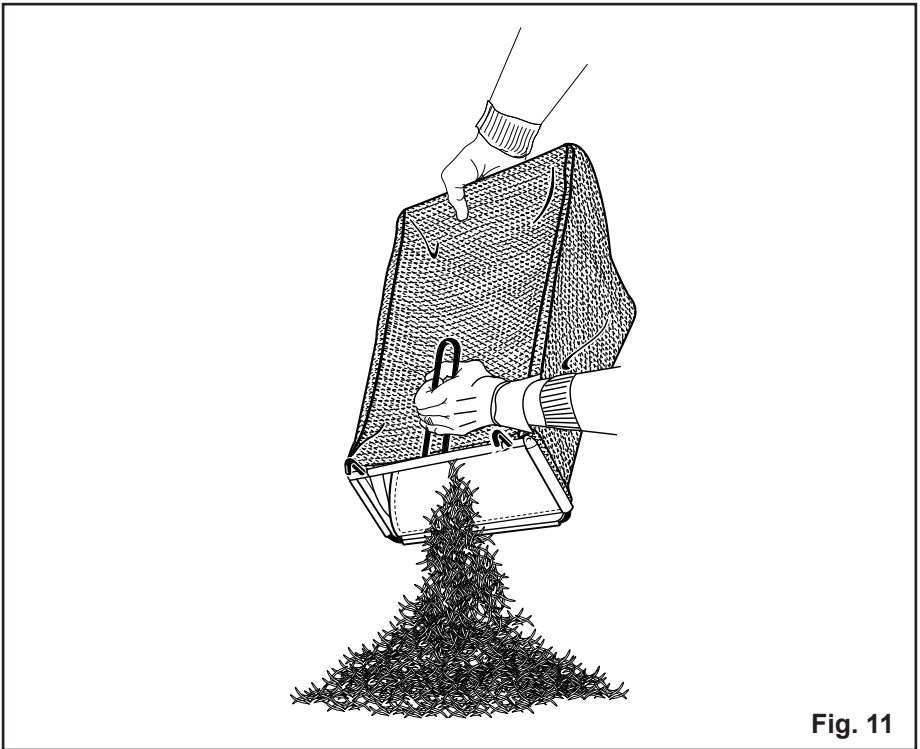
▲ W A R N I N G

If you strike a foreign object, stop the motor and remove the battery. Thoroughly inspect the mower for any damage. Repair any damage before operating the mower. Excessive vibration of the mower during operation is an indication of damage. Thoroughly inspect the mower and repair any damage before operating the mower.

OPERATING YOUR LAWN MOWER

EMPTYING THE GRASS CATCHER BAG *(See Figure 11)*

- Stop the mower, allow the blades to completely stop, and remove the battery.
- Lift the rear discharge door.
- Lift the grass catcher bag by its handle to remove from the mower.
- Empty grass clippings.
- Lift the rear discharge door and reinstall the grass catcher bag as described earlier in this manual.



BATTERY CHARGER

CHARGING PROCEDURE (See Figure 12)

NOTE: The battery is not shipped fully charged. It is recommended to fully charge before first use to ensure that maximum run time can be achieved. This lithium-ion battery will not develop a memory and may be charged at any time. A fully discharged battery pack will require approximately 150 minutes to fully charge from a discharged state.

- Plug the charger into an AC power outlet.
- Insert the battery pack (1) into the charger (2).

This is a diagnostic charger. The Charger LED Lights (3) will illuminate in specific order to communicate the current battery status. They are as follows:

CHARGING PROCEDURE (LED INDICATOR)

BATTERY IS CHARGING:	● RED	● RED
FULLY CHARGED:	● RED	● GREEN
BATTERY IS TOO WARM: (REMOVE FOR APPROX. 30 MINUTES TO ALLOW TO COOL)	● RED	● ORANGE
NO BATTERY PRESENT	● RED	○ OFF

False Defect Note:

When the battery is inserted into the charger, and the status LED flashes, remove the battery from the charger for 1 minute, then reinsert. If the status LED indicates normal than the battery pack is good. If the status LED is still blinking, remove the battery pack and unplug the charger. Wait 1 minute and plug the charger back in and reinsert the battery pack. If the status LED indicates normal than the battery pack is good. If the status LED is still blinking then the battery pack is defective and needs to be replaced.

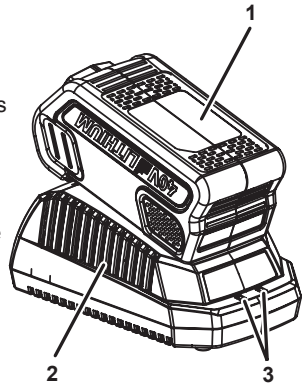


Fig. 12

NOTE: When the red indicator flickers, pull out the battery from the charger and insert again within 2 hours. If the indicator shows charging, that means the battery is good. After 2 hours, please pull out the battery and also pull out the AC power plug of the charger for 1 minute, and then insert the AC power plug and the battery again. If the indicator shows charging, that means the battery is good. If not, the battery needs to be changed.

BATTERY CHARGER

- Press the battery capacity indicator (BCI) button. The lights will illuminate according to the batteries capacity level. See chart below:

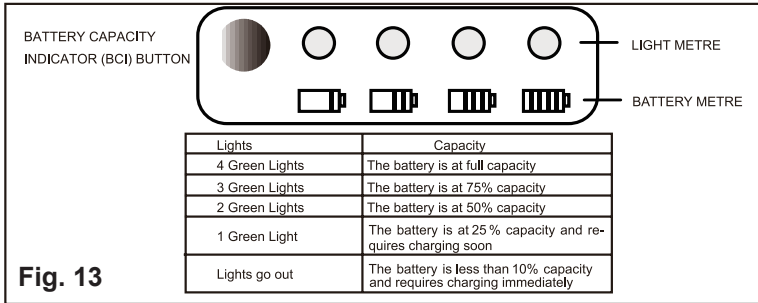


Fig. 13

SAFETY NOTES AND PRECAUTIONS

- Do not disassemble the battery.
- Keep away from the children.
- Do not expose the battery to water or salt water, battery should be stored in a cool and dry location and should place the battery in cool and dry environment.
- Do not place the battery in high-temperature locations, such as near a fire, heater, etc.
- Do not reverse the positive terminal and the negative terminal of the battery.
- Do not connect the positive terminal and the negative terminal of the battery to each other with any metal objects.
- Do not knock, strike or step on the battery.
- Do not solder directly onto the battery and pierce the battery with nails or other edge tools.
- In the event that the battery leaks and the fluid gets into one's eye, do not rub the eye. Rinse well with water. Immediately discontinue use of the battery, if, while using the battery emits an unusual smell, feels hot, changes color, changes shape, or appears abnormal in any other way.

BATTERY PACK

- Store the battery pack fully charged.
- Once the charging light turns green, remove the battery from the charger.
- Do not store the battery pack on the tool.
- After charging, the battery pack may be stored in the charger, as long as the charger is not plugged in.

CHARGER MAINTENANCE

- Keep the charger clean and clear of debris. Do not allow foreign material to get into the recessed cavity or onto the contacts. Wipe the charger clean with a dry cloth. Do not use solvents or water, and do not place the charger in wet conditions.
- Unplug the charger when there is no battery pack in it.
- Fully charge the batteries before placing them in storage.
- Store the charger at normal room temperature. Do not store it in excessive heat. Do not use the charger in direct sunlight. Recharge at room temperature between 45°F and 104°F (7°C and 40°C). If the battery pack is hot, allow it to cool down before recharging.

MAINTENANCE

REPLACING THE CUTTING BLADE (See Figure 14-15)

⚠ WARNING

Always protect your hands by wearing heavy gloves and/or wrapping the cutting edges with rags or other materials when performing any maintenance on the blades. ALWAYS remove the battery when servicing or transporting the mower.

Use only a GREENWORKS replacement blade.

- REMOVE THE BATTERY.
- While wearing leather padded gloves, wedge a block of wood between the blade and the mower deck in order to prevent the blade from turning when the bolt (1) is being removed.
- Using an adjustable wrench or socket, loosen the bolt (1) and remove the blade (2). Turn the bolt "COUNTERCLOCKWISE" to loosen it and "CLOCKWISE" to tighten it.
- Remove the bolt (1) and the blade (2).
- To re-install the blade, position the blade with the cutting edges toward the ground. Assemble the bolt as shown. Using a socket or wrench, turn the blade nut "CLOCKWISE" in order to secure the blade.

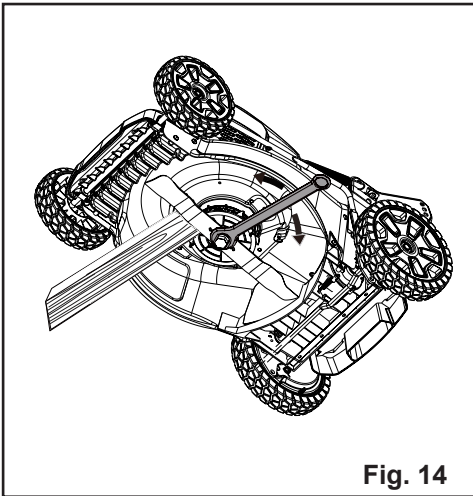


Fig. 14

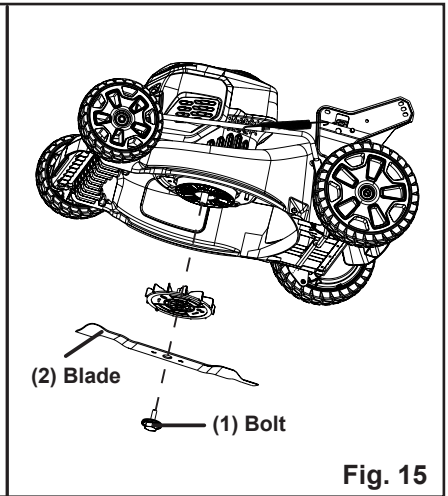


Fig. 15

NOTE: Be sure to replace the parts in the exact order in which they were removed. When installing the cutting blade, verify that it is installed with the curved ends pointing toward the mower deck, and not toward the ground. Refer to the schematic drawing on page 32 of this manual.

MAINTENANCE

REPLACING THE BATTERY

The mower battery is designed for maximum life; however, like all batteries, it will eventually need to be replaced.

Charge the new battery pack before use.

To install a new battery:

- Carefully unlock and remove the battery pack.
- Install the new battery pack.
- Take the old battery pack to a recycling center that accepts lead acid/lithium ion batteries. Never dispose of battery in fire or regular household trash.

MAINTENANCE

CLEANING THE MOWER

⚠ WARNING

In order to reduce the risk of electric shock, do not expose the mower to water. The underside of the mower deck should be cleaned after each use, because grass clippings, leaves, dirt, and other debris will accumulate, which will cause rust and corrosion.

Remove any build-up of grass and leaves on or around the motor cover (do not use water). Occasionally wipe the mower clean with a dry cloth. If debris builds up on the underside of the mower during use, stop the motor, disconnect it from the battery, and then tilt the mower forward or on its side, and scrape it clean using an appropriate tool.

STORING THE MOWER

The following steps should be taken in order to prepare the lawn mower for storage.

- Clean the mower as described in the previous section.
- Inspect the blade, and replace it or sharpen it, if required (refer to the Maintenance section).
- Lubricate the mower.
- Store the mower in a dry, clean location. Do not store it next to corrosive materials, such as fertilizer or rock salt.
- Store the mower indoors, in a cool, dry place, out of the reach of children. Do not cover the lawn mower with a solid plastic sheet. Plastic coverings trap moisture around the mower, which causes rust and corrosion.

The handle may be folded away completely for storage. (See Figure 2)

- Lift up the cam locks on the sides of the upper handle to unlock, and fold the upper handle down.
- Lift up the cam locks on the side of the lower handle to unlock, pull outwards on each side of the lower handle, and lift the sides of the lower handle past the edges of the handle mounting brackets. Fold the lower handle forward. Make sure not to bend or kink the power cord.
- Remove the battery and store it in a cool dry location, if possible. Charge the battery every two months when not in use in order to increase its life.
- Remove the battery and store in a secure location out of the reach of children. Removal of the battery is not required for storage.

⚠ WARNING

This battery must be charged when in storage to maintain running life.

SERVICE

- When servicing the mower, use only replacement parts that are available from the manufacturer. In order to obtain replacement parts, call the toll-free helpline, at 1-888-909-6757. The use of parts that do not meet the original equipment specifications may lead to improper performance, and may compromise safety.
- Before cleaning, repairing, or inspecting, verify that the blade and all moving parts have come to a complete stop, and remove the battery. Remove the battery when making any adjustments or when any of the four wheels must be lifted off the ground.
- Keep the handles dry, clean, and free of oil and grease.
- In order to reduce the risk of fire, keep the motor free of grass, leaves, and debris build-up.
- Check the blade and motor mounting bolts for proper tightness frequently. Visually inspect blade for damage (e.g., bent, cracked, or worn).
- For best and safest performance, maintain the mower with care. Keep the mower blade sharp and clean. Mower blades are sharp, and can cut. Wrap the blades or wear gloves, and use extra caution when servicing.
- Keep all nuts, bolts, and screws tight in order to be sure that the equipment is in safe working condition.
- Never tamper with safety devices. Check them regularly for proper operation.
- After striking a foreign object, stop the motor. Thoroughly inspect the mower for any damage. Repair any damage before operating the mower.
- The grass catcher components and trail shield are subject to wear and damage, which could expose moving parts or allow objects to be thrown. As a safety precaution, check these components frequently, and immediately replace any parts that show signs of wear, or that are cracked or broken. Use original equipment manufacturer's (OEM) parts only, as listed in this manual.
- When it is not in use, store the mower indoors in a dry area, and out of the reach of children.

▲ W A R N I N G

ALWAYS REMOVE THE BATTERY WHEN SERVICING OR TRANSPORTING THE MOWER.

ENVIRONMENTALLY SAFE BATTERY DISPOSAL



The batteries used in this mower's battery pack contain the following toxic and corrosive material: LITHIUM-ION.

▲ W A R N I N G

Toxic materials must be disposed of in a specified manner in order to prevent contamination of the environment. Before disposing of damaged or worn out Lithium-Ion battery packs, contact your local waste disposal agency for information and specific instructions. Take the batteries to a local recycling and/or disposal centre that is certified for disposal. If the battery pack cracks or breaks, whether it leaks or not, do not recharge it and do not use it. Dispose of it and replace it with a new battery pack. **DO NOT ATTEMPT TO REPAIR IT!**

Follow these instructions in order to avoid injury and the risk of fire, explosion, or electric shock, and to avoid damage to the environment:

- Cover the battery's terminals with heavy-duty adhesive tape.
- Do not attempt to remove or destroy any of the components of the battery pack.
- Do not attempt to open the battery pack.
- If a leak develops, the electrolytes that are released are corrosive and toxic. Do not get the solution in the eyes or on the skin, and do not swallow it.
- Do not place batteries in regular household trash.
- DO NOT incinerate batteries.
- DO NOT place batteries where they will become part of any waste landfill or municipal solid waste stream.
- Dispose of batteries at a certified recycling or disposal centre.

TROUBLESHOOTING

PROBLEM	POSSIBLE CAUSE	SOLUTION
The mower does not start.	The battery is not charged.	Charge the battery.
	The switch is defective.	Replace the switch (call the tollfree helpline, at 1-888-909-6757
	Grass jammed between the deck and blade.	Remove battery; check under deck for jams.
	The battery is not fully inserted in the mower.	Check the connection between the battery and the mower. Make sure the battery clicks into place.
	Battery may require service or replacement.	Call toll free helpline, at 1-888-909-6757 or replace battery.
	The safety key is not inserted.	Insert safety key.
The mower cuts the grass unevenly.	The lawn is rough or uneven.	Check the mowing area.
	The cutting height is not set properly.	Move the wheels to a higher setting.
The mower does not mulch properly.	Wet grass clippings are sticking to the underside of the deck.	Wait until the grass dries before mowing.
	The mulching plug is missing.	Install the mulching plug.
The mower is hard to push.	The grass is too tall, or the cutting height is too low.	Raise the cutting height.
	The rear of the grass catcher bag is dragging in thick grass.	Empty the grass clippings from the grass catcher bag.
The mower is excessively noisy and vibrates.	The motor shaft is bent.	Stop the motor, and inspect for damage.
	The blade is unbalanced.	Repair before restarting. If vibration persists, call the toll free helpline 1-888-909-6757.

FOUR YEAR REPAIR WARRANTY



GREENWORKS™ hereby warrants this product, to the original purchaser with **proof of purchase**, for a period of four (4) years against defects in materials, parts or workmanship. GREENWORKS™, at its own discretion will repair or replace any and all parts found to be defective, through normal use, free of charge to the customer. This warranty is valid only for units which have been used for personal use that have not been hired or rented for industrial/commercial use, and that have been maintained in accordance with the instructions in the owners' manual supplied with the product from new.

Battery carries a two (2) years warranty against defects in workmanship and materials. Batteries must be charged in accordance with the operator's manuals directions and regulations in order to be valid.

ITEMS NOT COVERED BY WARRANTY:

1. Any part that has become inoperative due to misuse, commercial use, abuse, neglect, accident, improper maintenance, or alteration; or
2. The unit, if it has not been operated and/or maintained in accordance with the owner's manual; or
3. Normal wear, except as noted below;
4. Routine maintenance items such as lubricants, blade sharpening;
5. Normal deterioration of the exterior finish due to use or exposure.

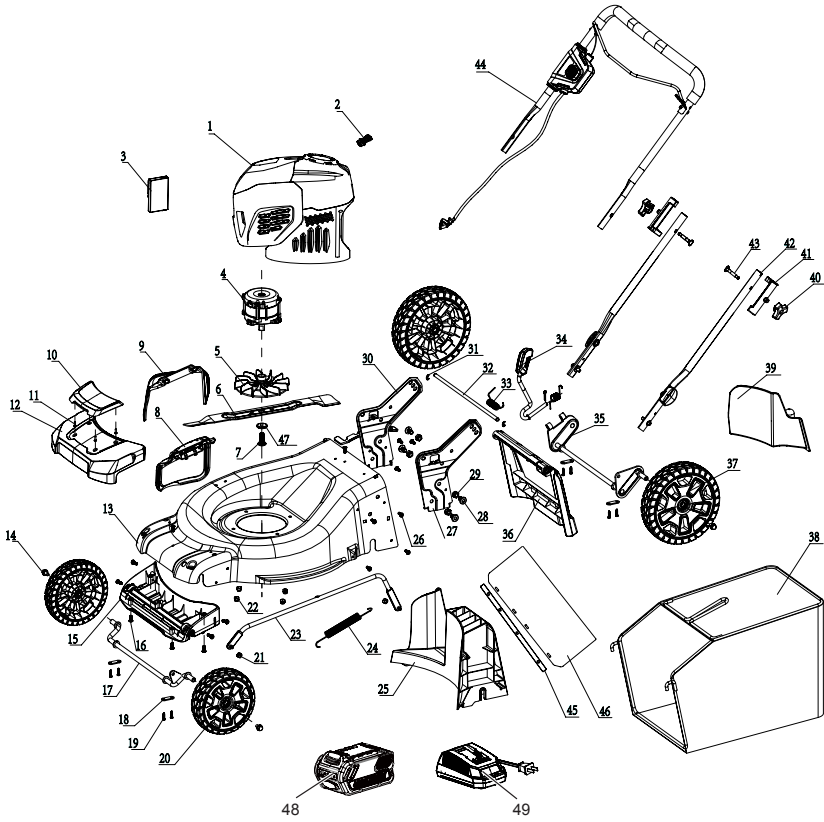
GREENWORKS HELPLINE (1 888 90WORKS):

Warranty service is available by calling our toll-free helpline, **1 888 909 6757 (1 888 90WORKS)**.

TRANSPORTATION CHARGES:

Transportation charges for the movement of any power equipment unit or attachment are the responsibility of the purchaser. It is the purchaser's responsibility to pay transportation charges for any part submitted for replacement under this warranty unless such return is requested in writing by GREENWORKS.

EXPLODED VIEW



PARTS LIST

ITEM NO.	PART NO.	DESCRIPTION	QTY
1	311012330	40V motor assembly	1
2	311051479	Key assembly	1
3	362012330	40V PCB	1
4	361011571	Motor	1
5	341191179B	Fan	1
6	333031511	Blade	1
7	322011179	Bolt	1
8	311041511	Side discharge cover assembly	1
9	341031511	Side discharge chute	1
10	341331179U	Decorative cover	1
11	32207110D	Screw	4
12	341122330	Bumper	1
13	333012330	Deck	1
14	32202390	Bolt	4
15	341041511	Front panel	1
16	3220951D	Screw	2
17	311021511	Front wheel axle	1
18	33307470	Axle press plate	4
19	32204113D	Screw	12
20	341271179A	8" Wheel assembly	2
21	3220343	Nut	2
22	32243563	Nut	4
23	333021511	Height adjustment link bar	1
24	332011179	Height adjustment tension spring	1

PARTS LIST

ITEM NO.	PART NO.	DESCRIPTION	QTY
25	341051511	Rear baffle	1
26	322051505	Screw	13
27	333021505	Height adjustment bracket (left)	1
28	3221637	Bolt	4
29	32910131	Nut	4
30	311072330	Height adjustment bracket (right)	1
31	3290506	Clip washer	2
32	332021511	Rear cover axle	1
33	332111179A	Torsinal spring (rear cover)	1
34	311042330	Height adjustment bar assembly	1
35	311011511	Rear wheel axle	1
36	341011541	Rear cover	1
37	341271179A	10" Wheel assembly	2
38	311112330	Grass catcher bag assembly	1
39	341021541	Mulching plug	1
40	341291179	Knob	2
41	341031555	Insulation sleeve	2
42	311092330	Lower handle	2
43	322041179	Bolt	2
44	311022330	Upper handle	1
45	332021541	Press board (rear shield)	1
46	342011541	Rear shield	1
47	333021527	Washer	1
48	311011372	40 V 5 Ah battery	1
49	31102980	Charger	1



**Greenworks Tools
PO Box 1238
Mooresville, NC 28115**

TOLL-FREE HELPLINE: 1-888-90WORKS (888.909.6757)

Rev: 00 (20-01-2017)

 Printed in China on 100% Recycled Paper