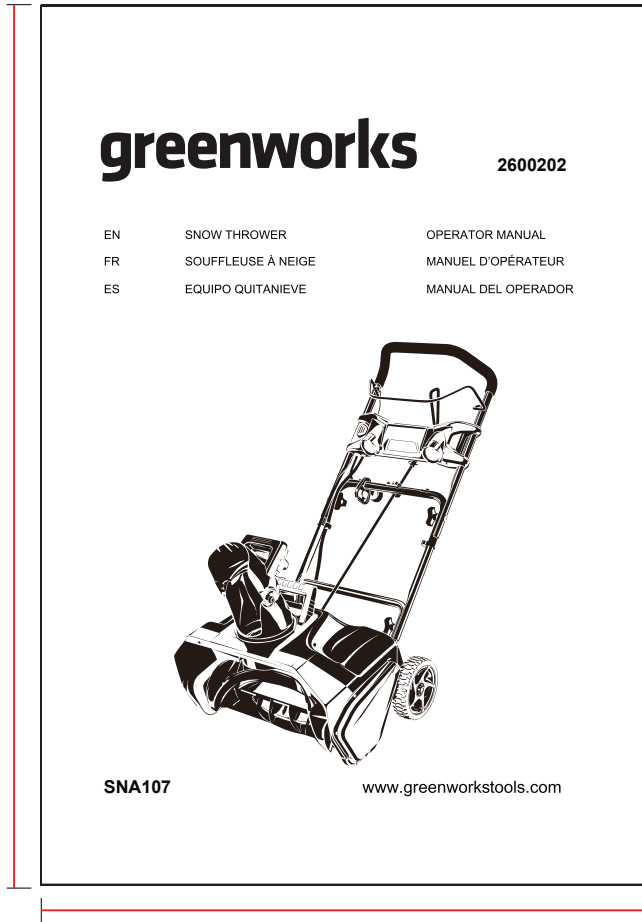


P0802923-00

210mm



145mm

SCALE: A5

技术要求:

1. 材质要求: 60g双胶纸
2. 40P, 内容见电子档; 色块要求在最外侧
3. 单色印刷, 要求无色差、无污点;
4. 骑马钉, 裁切均匀、无连页;
5. 以封样为准;
6. 料件需符合格力博HSF文件(编号: GLB-CGR-146) 里关于环保和有害物质的具体要求。

版本号

B

描 复

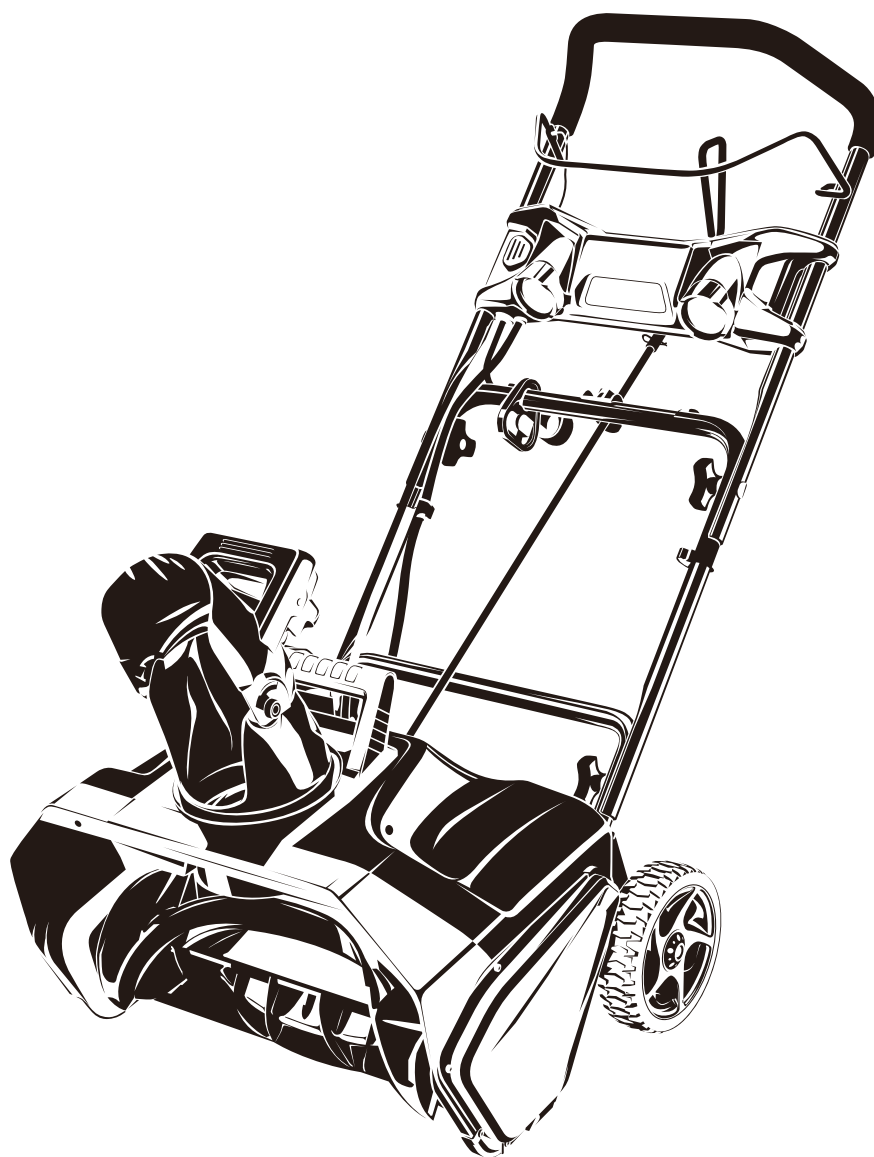
日 期

					说明书				常州格力博集团		
		标记处数	更改文件号	签名	日期						
设计		黄潇笑	标准化	王小妮	阶段标记		视角标记	重量	比例	2609002C0	
校对		刘小娟	审定		S	A	B				
审核		周艳	批准	李海平						ERP号	P0802923-00
工艺			日期	2020.09	共 1 张		第 1 张				

greenworks

2600202

EN	SNOW THROWER	OPERATOR MANUAL
FR	SOUFFLEUSE À NEIGE	MANUEL D'OPÉRATEUR
ES	EQUIPO QUITANIEVE	MANUAL DEL OPERADOR



SNA107

www.greenworkstools.com

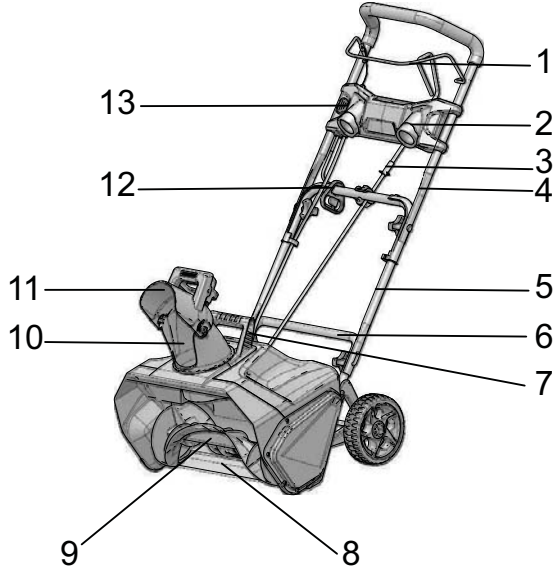
1	Description.....	4	7	Operation.....	9
1.1	Purpose.....	4	7.1	Start the machine.....	9
1.2	Overview.....	4	7.2	Stop the machine.....	9
1.3	Packing list.....	4	7.3	Use the cord retainer.....	10
2	General power tool safety warnings.....	4	7.4	Adjust the discharge chute.....	10
2.1	Safety warnings.....	4	7.5	Adjust the chute deflector.....	10
2.2	Double insulated snow thrower.....	6	7.6	LED headlights.....	10
3	Electrical.....	6	7.7	Operation tips.....	11
4	Symbols on the product.....	7	8	Maintenance.....	11
5	Risk levels.....	7	8.1	General maintenance.....	11
6	Installation.....	8	8.2	Replace the scraper.....	11
6.1	Unpack the machine.....	8	8.3	Replace the impeller.....	11
6.2	Install the upper handle.....	8	8.4	Store the machine.....	12
6.3	Install the middle handle.....	8	9	Troubleshooting.....	12
6.4	Install the chute deflector.....	9	10	Technical data.....	13
6.5	Install the chute control rod.....	9	11	Limited warranty.....	13
			12	Exploded view.....	14

1 DESCRIPTION

1.1 PURPOSE

This machine is used to remove and clear away snow from sidewalks, driveways and other paved ground-level surfaces.

1.2 OVERVIEW



- 1 Bail Lever
- 2 LED lights
- 3 Chute control rod
- 4 Upper handle
- 5 Middle handle
- 6 Lower handle
- 7 Carrying or lifting handle
- 8 Scraper
- 9 Impeller
- 10 Discharge chute
- 11 Chute deflector
- 12 Cord retainer
- 13 Safety switch button

1.3 PACKING LIST

- | | |
|----------------------------|--------------------------|
| 1 Snow thrower bare tool | 5 Upper handle assembly |
| 2 Chute deflector assembly | 6 Middle handle assembly |
| 4 Control rod assembly | 6 Manual |

2 GENERAL POWER TOOL SAFETY WARNINGS

▲ WARNING

Read all safety warnings and all instructions. Failure to follow the warnings and instructions may result in electric shock, fire and/or serious injury.

Save all warnings and instructions for future reference.

The term “power tool” in the warnings refers to your mains-operated (corded) power tool.

2.1 SAFETY WARNINGS

- Walk. Do not run.
- Dress Properly – Do not wear loose clothing or jewelry. They can be caught in moving parts.
- Keep Children Away – All visitors should be kept a safe distance from work area.
- Replacement Parts When servicing use only identical replacement parts. Replace or repair damaged cords.
- If the power tool starts to vibrate abnormally, stop the power tool immediately and attempt to determine the cause. Vibration is generally an indication of danger.
- Do not use on graveled surface unless the power tool is adjusted for such a surface in accordance with the operator’s manual.
- Wear rubber boots when operating the power tool. Do not operate the equipment when barefoot or wearing open sandals. Always wear substantial footwear.
- Operation of the power tool in the hand-held position is unsafe, except in accordance with the special instructions for such use provided in the operator’s manual.
- Keep guards in place and in working order.
- Don’t Force Power Tool – It will perform better and safer at the rate for which it was designed.
- Don’t Overreach – Keep proper footing and balance at all times.
- If the power tool strikes a foreign object, follow these steps:
 1. Stop machine. Release the switch.
 2. Unplug power cord.
 3. Repair any damage before restarting and operating the power tool.
- Store Idle Power Tool Indoors – When not in use, power tools should be stored indoors in dry, locked-up place out of reach of children.
- Do not operate the equipment without wearing adequate winter garments. Wear footwear, which will improve footing on slippery surfaces.
- Never direct the discharge toward people or areas where property damage can occur.
- When cleaning, repairing, or inspecting, make certain the collector/impeller and all moving parts have stopped.

- Maintain Power Tools With Care – Follow instructions for lubricating and changing accessories.
- Allow the power tool to run for a few minutes after clearing snow in order to prevent moving parts from freezing.
- To prevent electric shock use only with an extension cord suitable for outdoor use.
- Only use identical replacement parts and accessories for this power tool. The use of nonidentical parts or accessories could lead to serious injury to the user or damage the power tool, and will void the warranty.
- Do not pick up the power tool while it is running. The power tool is designed to travel along the ground.
- Never allow children to operate a power tool. Keep the area of operation clear of all persons, particularly small children, and pets.
- Never allow adults to operate the equipment without proper instruction.
- Thoroughly inspect the area where the equipment is to be used and remove all stones, sticks, wires, bones, and other foreign objects.
- Never operate the machine at high transport speeds on slippery surfaces. Use care when reversing.
- Hand contact with the rotating impeller inside the discharge chute is the most common cause of injury associated with machine. Never use your hand to clean out the discharge chute. To clear the chute:
 1. TURN OFF THE MOTOR!
 2. Wait 10 seconds to be sure the impeller has stopped rotating.
 3. Always use a clean-out tool, not your hands.
- Stop the impeller when crossing gravel driveways, walkways, or roads.
- Do not overload the machine capacity by attempting to clear snow at too fast a rate.
- Never operate the machine without good visibility or light. Always be sure of your footing, and keep a firm hold on the handles.
- Check shear bolts and other bolts at frequent intervals for proper tightness to be sure the equipment is in safe working condition.
- Always refer to owner's guide instructions for important details if the machine is to be stored for an extended period.
- Maintain or replace safety and instructions labels, as necessary.
- Run the machine a few minutes after throwing snow to prevent freeze-up of the collector/impeller.
- To prevent disconnection of the power cord from the extension cord during operation. Refer to the section entitled Using the Cord Retainer.
- Avoid Accidental Starting – Don't carry plugged-in power tool with finger on switch. Be sure switch is off when plugging in.
- If the cord is damaged in any manner while it is plugged in, disconnect it from the outlet immediately.
- Always wear safety glasses or eye shields during operation or while performing an adjustment or repair to protect eyes from foreign objects that may be thrown from the machine.
- Don't Abuse Cord – Never carry machine by cord or yank it to disconnect from receptacle. Keep cord from heat, oil, and sharp edges.
- Disconnect the power tool from the power supply when not in use, before servicing, when changing accessories, and the like.
- Read the operator's manual carefully. Be thoroughly familiar with the controls and the proper use of the equipment. Know how to stop the unit and disengage the controls quickly.
- Replacement Parts When servicing use only identical replacement parts. Replace or repair damaged cords.
- Do not use on graveled surface unless the machine is adjusted for such a surface in accordance with the operator's manual.
- Keep Children Away – All visitors should be kept a safe distance from work area.
- Keep the area of operation clear of all persons, particularly small children, and pets.
- Dress Properly – Do not wear loose clothing or jewelry. They can be caught in moving parts.
- Wear rubber boots when operating the machine.
- Operation of the machine in the hand-held position is unsafe, except in accordance with the special instructions for such use provided in the operator's manual.
- Exercise caution to avoid slipping or falling, especially when operating in reverse.
- To prevent electric shock use only with an extension cord suitable for outdoor use.
- Use extension cords and receptacles as specified by the manufacturer for all units with electric drive motors or electric starting motors.
- Extension Cords – To prevent disconnection of machine cord from the extension cord during operation
 1. Make a knot as shown in the figure; or
 2. Use one of the plug-receptacle retaining straps or connectors described in this manual.
- Avoid Accidental Starting – Don't carry plugged-in machine with finger on switch. Be sure switch is off when plugging in.
- If cord is damaged in any manner while plugged in, pull extension cord from wall receptacle.
- Don't Abuse Cord – Never carry machine by cord or yank it to disconnect from receptacle. Keep cord from heat, oil, and sharp edges.
- Thoroughly inspect the area where the equipment is to be used and remove all doormats, sleds, boards, wires, and other foreign objects.
- If the machine strikes a foreign object follow these steps:
 1. Stop machine. Release the switch.
 2. Unplug power cord.

3. Inspect for damage.
 4. Repair any damage before restarting and operating the machine.
- Adjust the collector housing height to clear gravel or crushed rock surface.
 - Never attempt to make any adjustments while the machine is running (except where specifically recommended by manufacturer).
 - Disconnect Machine – Disconnect the machine from the power supply when not in use, before servicing, when changing accessories, and the like.
 - Do not put hands or feet near or under rotating parts. Keep clear of the discharge opening at all times.
 - Exercise extreme caution when operating on or crossing gravel drives, walks, or roads. Stay alert for hidden hazards or traffic.
 - After striking a foreign object, turn the machine off and remove the plug, and then inspect it for damage. Repair any damage before restarting and using the machine.
 - If the unit should start to vibrate abnormally, stop the machine and check immediately for the cause. Vibration is generally a warning of trouble.
 - When cleaning, repairing, or inspecting, make certain the collector/impeller and all moving parts have stopped.
 - Exercise extreme caution when operating on slopes.
 - Never operate the machine without proper guards, and other safety protective devices in place and working.
 - Never direct the discharge toward people or areas where property damage can occur. Keep children and others away.
 - Stop the machine whenever you leave the operating position, before unclogging the collector/impeller housing or discharge guide, and when making any repairs, adjustments, or inspections.
 - Do not overload the machine capacity by attempting to clear snow at too fast a rate.
 - Never operate the machine at high transport speeds on slippery surfaces. Use care when reversing.
 - Disengage power to the collector/impeller when machine is transported or not in use.
 - Use only attachments and accessories approved by the manufacturer of the machine (such as wheel weights, counterweights, or cabs).
 - Never operate the machine without good visibility or light. Always be sure of your footing, and keep a firm hold on the handles.
 - Store Idle Machine Indoors – When not in use, machine should be stored indoors in dry, locked-up place – out of reach of children.
 - Maintain Machine With Care – Follow instructions for lubricating and changing accessories.
 - Check shear bolts and other bolts at frequent intervals for proper tightness to be sure the equipment is in safe working condition.

- Have servicing performed by a qualified repair person using only identical replacement parts. This will ensure that the safety of the product is maintained.
- Always refer to owner's guide instructions for important details if the machine is to be stored for an extended period.
- Maintain or replace safety and instructions labels, as necessary.
- Run the machine a few minutes after throwing snow to prevent freeze-up of the collector/impeller

2.2 DOUBLE INSULATED SNOW THROWER

- Double insulation eliminates the need for the usual three-wire grounded power cord and grounded power supply system. Wherever there is electric current in the machine, there are two complete sets of insulation to protect the user. All exposed metal parts are isolated from the internal metal motor components by protecting insulation.

i IMPORTANT

Servicing a machine with double insulation requires extreme care and knowledge of the system, and should only be performed by a qualified service technician. If repairs are required, call the service center. Always use original factory replacement parts when servicing.

▲ WARNING

IT IS YOUR RESPONSIBILITY! To restrict the use of this machine to people who have read and understand the warnings and instructions that appear in this manual and on the machine and who will follow them.

3 ELECTRICAL

▲ WARNING

The double insulated system is intended to protect the user from shock resulting from a break in the tool's internal insulation. Observe all normal safety precautions to avoid electrical shock.

Electrical connection

This product has a precision-built electric motor. It should be connected to a power supply that is 120 V, AC only (normal household current), 60 Hz. Do not operate this product on direct current (DC). A substantial voltage drop will cause a loss of power and the motor will overheat. If the product does not operate when plugged into an outlet, double-check the power supply.

Extension cords

When using a power tool at a considerable distance from a power source, be sure to use an extension cord that has the capacity to handle the current the product will draw. An undersized cord will cause a drop in line voltage, resulting in overheating and loss of power. Use the chart to determine the

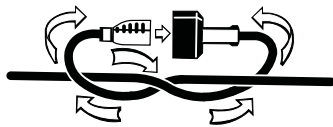
minimum wire size required in an extension cord. Only round jacketed cords listed by Underwriter’s Laboratories (UL) should be used.

When working outdoors with a product, use an extension cord that is designed for outside use. This type of cord is designated with “W-A” or “W” on the cord’s jacket.

Before using any extension cord, inspect it for loose or exposed wires and cut or worn insulation.

A proper extension cord is available at an authorized service center.

It is possible to tie the extension cord and power cord in a knot to prevent them from becoming disconnected during use. Make the knot as shown in the figure, then connect the plug end of the power cord into the receptacle end of the extension cord. This method can also be used to tie two extension cords together.



Ampere rating (on the plate)						
	0 - 2.0	2.1 - 3.4	3.0 - 3.5	5.1 - 7.0	7.1 - 12.0	12.1 - 16.0
Cord length	Wire size (A.W.G)					
25'	16	16	16	16	14	14
50'	16	16	16	14	14	12
100'	16	16	14	12	12	-
Used on 12 gauge - 20 amp circuit						
AWG = American Wire Gauge						

Keep the extension cord clear of the working area. Position the cord so that it will not get caught on lumber, tools, or other obstructions while you are working with a power tool. Failure to do so can result in serious personal injury.

Check extension cords before each use. If damaged replace immediately. Never use the product with a damaged cord since touching the damaged area could cause electrical shock resulting in serious injury.

4 SYMBOLS ON THE PRODUCT

Some of the following symbols may be used on this tool. Please study them and learn their meaning. Proper interpretation of these symbols will allow you to operate the tool better and safer.

Symbol	Explanation
	Alternating current

Symbol	Explanation
	Precautions that involve your safety.
	Read and understand all instructions before operating the product, and follow all warnings and safety instructions.
	Thrown objects can ricochet and result in personal injury or property damage. Wear protective clothing and boots.
	Keep feet away from openings while the product is running.
	Keep hands away from the discharge area.
	Stop the motor and unplug the product before leaving the product.
	Wear eye and ear protection.
	Do not use a damaged power cord.

5 RISK LEVELS

The following signal words and meanings are intended to explain the levels of risk associated with this product.

SYM-BOL	SIGNAL	MEANING
	DANGER	Indicates an imminently hazardous situation, which, if not avoided, will result in death or serious injury.
	WARNING	Indicates a potentially hazardous situation, which, if not avoided, could result in death or serious injury.
	CAUTION	Indicates a potentially hazardous situation, which, if not avoided, may result in minor or moderate injury.
	CAUTION	(Without Safety Alert Symbol) Indicates a situation that may result in property damage.

6 INSTALLATION

▲ WARNING

Do not change or make accessories that are not recommended by the manufacturer.

▲ WARNING

Do not connect to power supply until you assemble all the parts.

6.1 UNPACK THE MACHINE

▲ WARNING

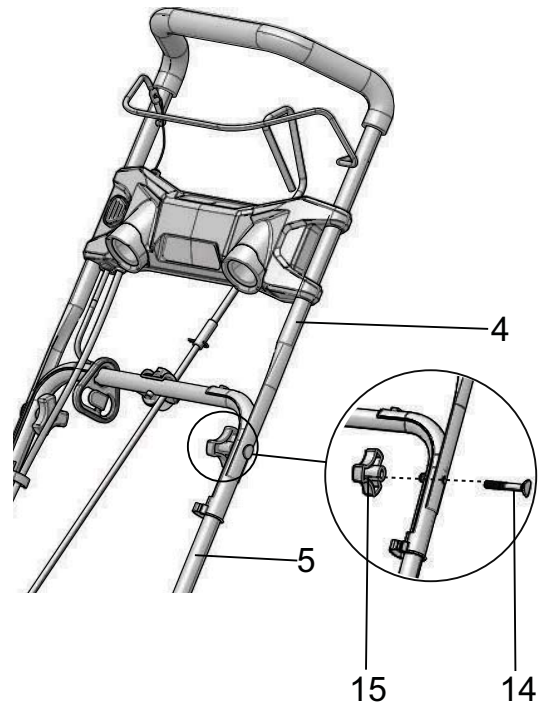
Make sure that you correctly assemble the machine before use.

▲ WARNING

- If parts of the machine are damaged, do not use the machine.
- If you do not have all the parts, do not operate the machine.
- If the parts are damaged or missing, contact the service center.

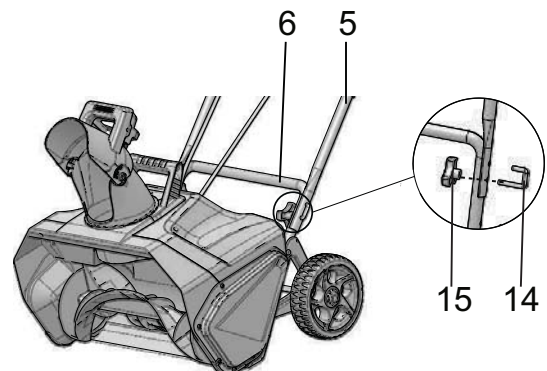
1. Open the package.
2. Read the documentation in the box.
3. Remove all the unassembled parts from the box.
4. Remove the machine from the box.
5. Discard the box and package in compliance with local regulations.

6.2 INSTALL THE UPPER HANDLE



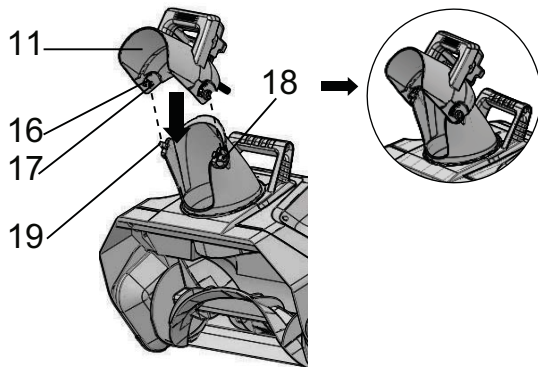
1. Align the holes in the middle handle (5) and the upper handle (4).
2. Insert the bolt (14) through the middle handle (5) and upper handle (4).
3. Tighten the handle knob (15) onto the bolt (14).
4. Do the same operation on the other side.

6.3 INSTALL THE MIDDLE HANDLE



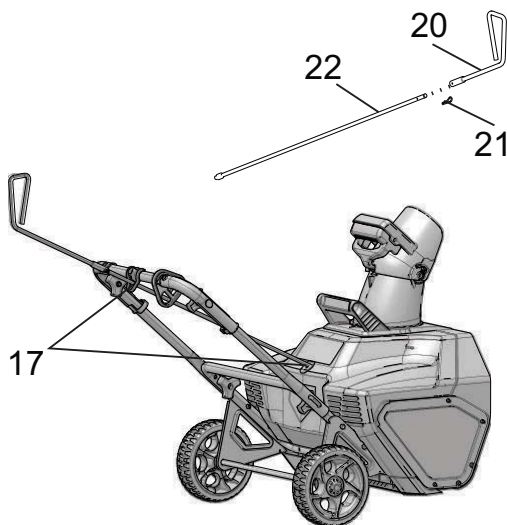
1. Align the holes in the middle handle (5) and the lower handle (6).
2. Put the bolts (14) through the middle handle (5) and the lower handle (6).
3. Tighten the handle knob (15) onto the bolt (14).
4. Repeat for left/right side.

6.4 INSTALL THE CHUTE DEFLECTOR



1. Align the tabs (18) on to the slots (16) on one side first.
2. Once you have engaged one tab on one slot push until you hear a click. Repeat on other side.
3. Push the chute deflector (11).
4. Make sure that the tabs (18) engage the slots (16) on the two sides.
5. Make sure that the posts (19) engage the holes (17) on the two sides.

6.5 INSTALL THE CHUTE CONTROL ROD



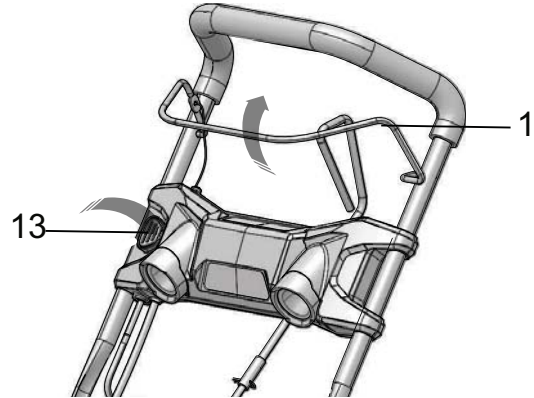
1. Align the holes (17) in the upper chute control rod (20) and lower chute control rod (22).
2. Put the hitch pin (21) through the holes (17).
3. Align the arrows in the discharge chute and snow thrower deck. Make sure the discharge chute faces forward.
4. Put the end of the chute control rod (3) straight through the hole (17) in the bracket. Keep the grip handle down.
5. Push the chute control rod (3) into the hole (17) behind the deck.
6. Turn the grip handle left and right to make sure that the discharge chute moves in the same direction.

7 OPERATION

▲ WARNING

Wear eye protection during operation.

7.1 START THE MACHINE



1. While holding the safety switch button (13), pull the bail lever (1) to start the machine.

i NOTE

Lower the scraper to the ground to remove the snow.

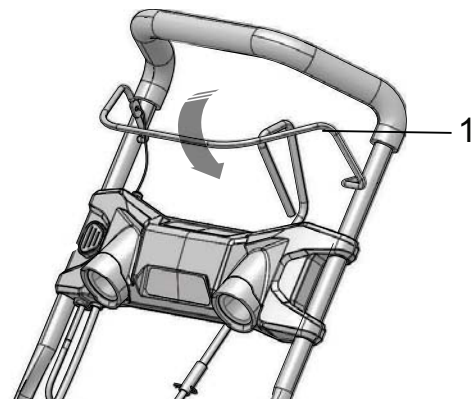
▲ WARNING

Keep bystanders a safe distance from the machine.

▲ WARNING

Examine the work area. Remove all stones, sticks, wire, bones, and other debris that can ricochet because of the rotating impeller.

7.2 STOP THE MACHINE



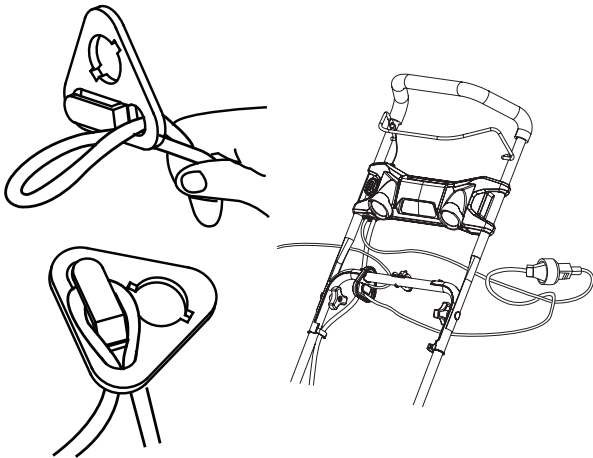
1. Release the bail lever (1) to stop the machine.

▲ WARNING

Wait until the impeller fully stops before you start the machine again. Do not quickly turn the machine off and on.

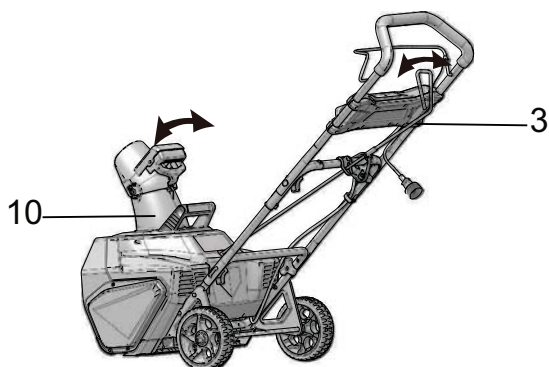
▲ WARNING

Pull the plug after you complete the work.

7.3 USE THE CORD RETAINER**i NOTE**

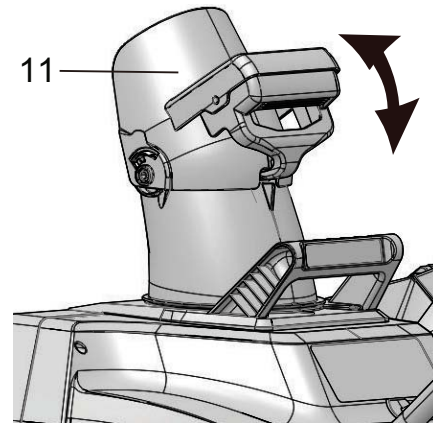
Do not plug the extension cable into the outlet until it has been connected to the cord retainer and plugged into the machine.

1. Fold the extension cable to form a tight loop near the retainer.
2. Push the loop through the bottom hole in the retainer.
3. Move the loop over the retaining clip, and pull until the cable is secured.

7.4 ADJUST THE DISCHARGE CHUTE

You can adjust the discharge chute 180° to change the snow direction.

1. Turn the grip handle (3) left to move the discharge chute (10) to the left.
2. Turn the grip handle (3) right to move the discharge chute (10) to the right.

7.5 ADJUST THE CHUTE DEFLECTOR

You can adjust the chute deflector up and down to change the throwing distance of the snow.

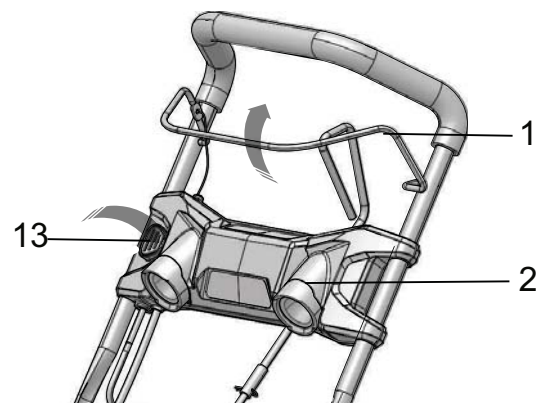
▲ WARNING

Release the bail switch before you adjust the chute deflector.

▲ WARNING

Do not push the deflector so far forward that a gap shows between the deflector and the chute.

1. Push and hold the trigger on the chute deflector.
2. Move the chute deflector (11) up to increase the snow distance.
3. Move the chute deflector (11) down to decrease the snow distance.

7.6 LED HEADLIGHTS**Turning the headlights on :**

1. Push and hold the safety switch button (13).
2. Pull the bail switch (1) in the direction of the handle bar to turn the headlights (2) on.

Turning the headlights off :

3. Release the bail switch (1).

7.7 OPERATION TIPS

- If it is possible, clear the snow with the direction of the wind.
- In strong winds, lower the chute deflector to direct the snow to the ground.
- When you complete the work, let the machine operate for a while to prevent ice formation in the discharge chute.
- If the snow is deeper than 8", decrease the speed and let the machine work at its own rhythm.
- Do not use the scraper to remove compact snow and ice.

8 MAINTENANCE

▲ WARNING

Disconnect the extension cord before maintenance.

▲ CAUTION

Use only approved replacement parts.

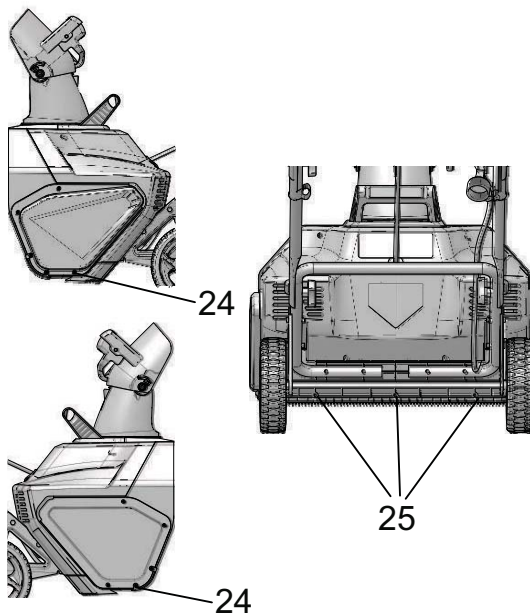
▲ CAUTION

Do not use strong solvents or detergents on the plastic housing or components.

8.1 GENERAL MAINTENANCE

- Before each use, examine the machine for damaged, missing, or loose parts such as screws, nuts, bolts and caps.
- Tighten all the fasteners and caps correctly.
- Clean the remaining snow on the machine with a brush.

8.2 REPLACE THE SCRAPER



▲ WARNING

Use only approved replacement scrapers.

▲ WARNING

Wear heavy gloves or wind cloth around the impeller when you touch the impeller.

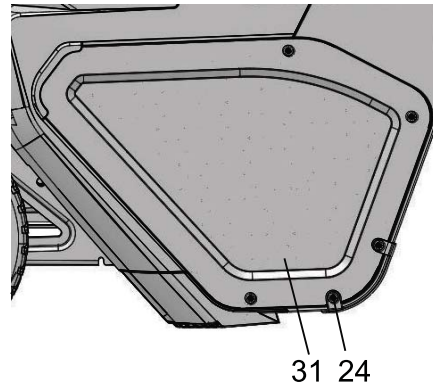
1. Remove the screws (24) from each side plate.
2. Remove and discard the old scraper.
3. Install the new scraper.
4. Put in the mounting screw (25) and spacers and tighten them.

8.3 REPLACE THE IMPELLER

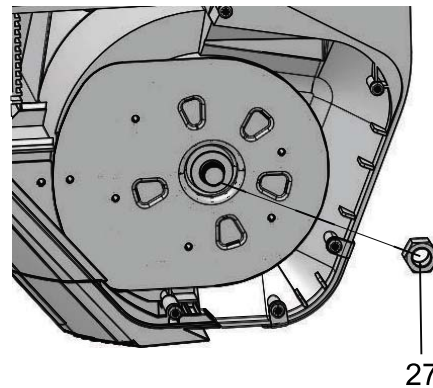
▲ WARNING

Use only approved replacement scrapers.

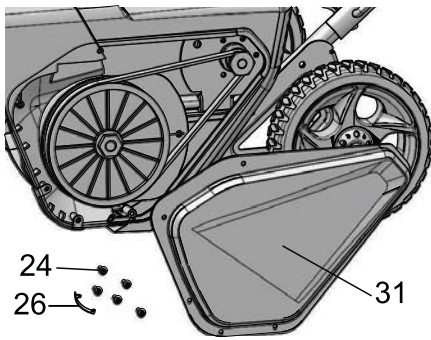
1. Remove the 5 screws (24) and side wear pad (26) that secure the right side cover (31).



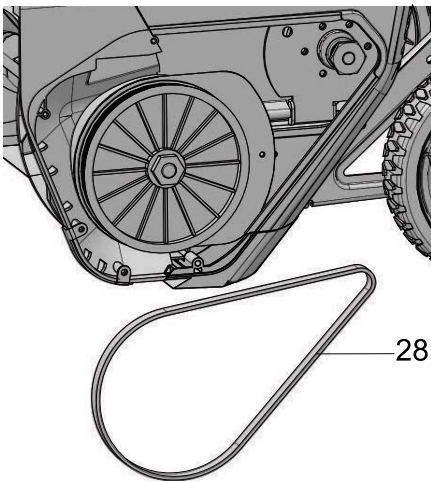
2. Remove the nut (27).



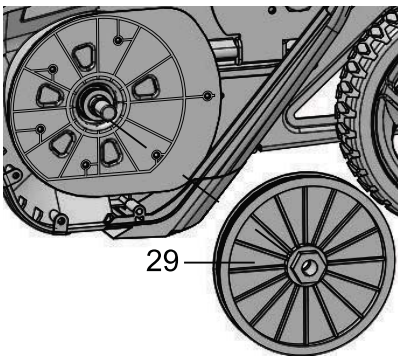
- Remove the 5 screws (24) and side wear pad(26) that secure the left side cover (31).



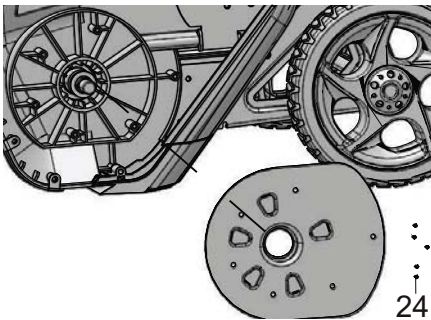
- Remove the belt (28).



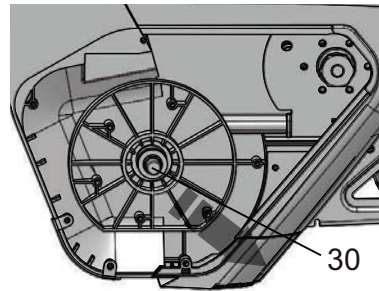
- Using a socket wrench, remove the large pulley (29).



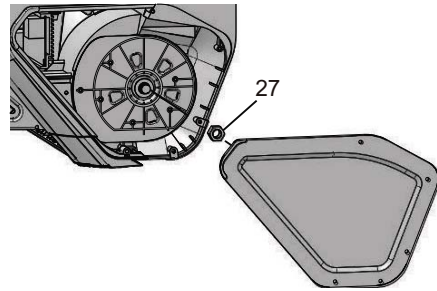
- Remove the screws (24) that secure the left side plate.



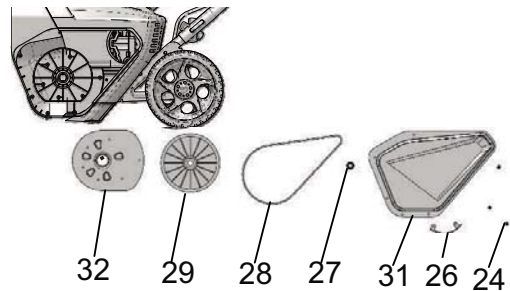
- Pull the axle (30) and remove the old impeller, install the new impeller.



- Reinstall the nut (27) and right side cover.



- Reinstall the left side plate (32), large pulley (29), belt (28) and left side cover (31).



8.4 STORE THE MACHINE

- Clean the machine before storage.
- Make sure the motor is not hot when you store the machine.
- Make sure that the machine does not have loose or damaged parts. If it is necessary, do these steps/ instructions:
 - Replace the damaged parts.
 - Tighten the bolts.
 - Speak to a person at an approved service center.
- Store the machine in a dry area.
- Make sure that children cannot come near the machine.

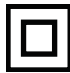
9 TROUBLESHOOTING

Problem	Possible cause	Solution
The handle is not in position.	The bolts are not engaged correctly.	Adjust the height of the handle and make sure that the knobs and bolts are aligned correctly.

Problem	Possible cause	Solution
The machine does not start.	The switch is defective.	Have the switch replaced by an authorized service center.
	The extension cord is not connected to the plug.	Connect the plug on the machine to the extension cord.
	The extension cord is not connected to the power source.	Plug the extension cord into a live 120 V AC, 60 Hz outlet.
The engine is on, but the impeller does not turn.	The belt is damaged.	Replace the belt.
A thin layer of snow stays behind.	The scraper is damaged.	Replace the scraper.

* If you cannot find the solution to these problems, please go to the service center.

10 TECHNICAL DATA

Voltage	120 V, 60 Hz, 13 A
No load speed	2500 RPM
Working width	20 in. (50.8 cm)
Working depth	10 in. (25.4 cm)
Weight	35.27 lbs (16 kg)
Double-insulated construction	

11 LIMITED WARRANTY



Greenworks hereby warrants this product, to the original purchaser with proof of purchase, for a period of three (3) years against defects in materials, parts or workmanship. Greenworks, at its own discretion will repair or replace any and all parts found to be defective, through normal use, free of charge to the customer. This warranty is valid only for units which have been used for personal use that have not been hired or rented for industrial/commercial use, and that have been maintained in accordance with the instructions in the owners' manual supplied with the product from new.

ITEMS NOT COVERED BY WARRANTY:

1. Any part that has become inoperative due to misuse, commercial use, abuse, neglect, accident, improper maintenance, or alteration; or
2. The unit, if it has not been operated and/or maintained in accordance with the owner's manual; or
3. Normal wear, except as noted below;
4. Routine maintenance items such as lubricants, blade sharpening;
5. Normal deterioration of the exterior finish due to use or exposure.

HELPLINE:

Warranty service is available by calling our toll-free helpline, at 1-888-909-6757 .

TRANSPORTATION CHARGES:

Transportation charges for the movement of any power equipment unit or attachment are the responsibility of the purchaser. It is the purchaser's responsibility to pay transportation charges for any part submitted for replacement under this warranty unless such return is requested in writing by Greenworks.

USA address:

Greenworks Tools

P.O. Box 1238

Mooresville, NC 28115

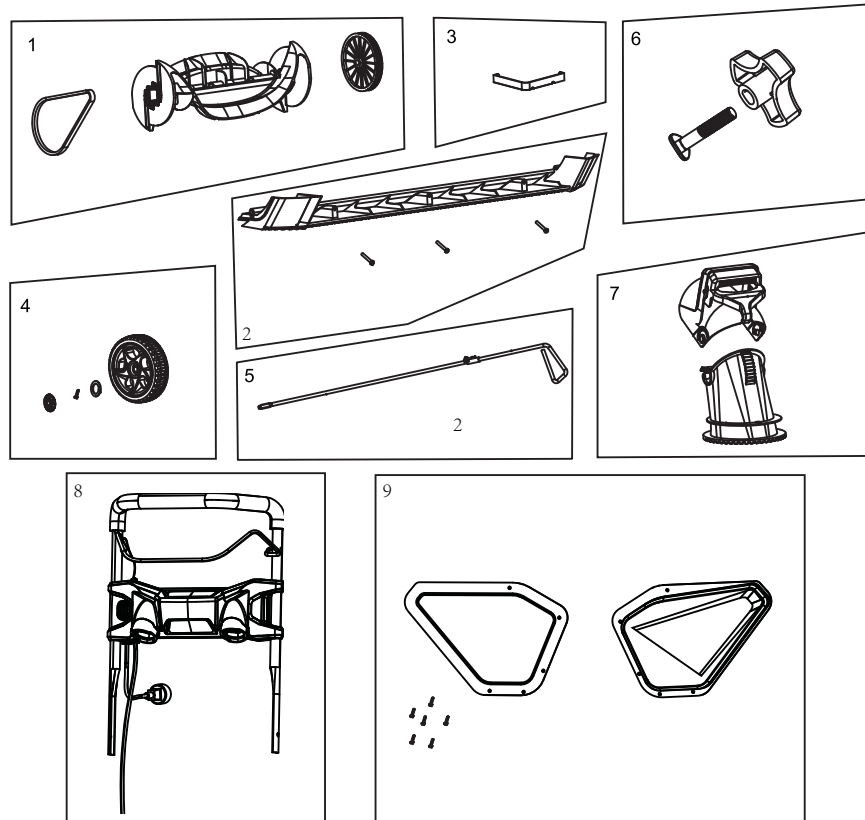
Canadian address:

Greenworks Tools Canada Inc.

P.O. Box 93095, Newmarket,
Ontario

L3Y 8K3

12 EXPLODED VIEW



No.	Part No.	Qty	Description
1	R0200164-00	1	Impeller assembly
2	R0200761-00	1	Scraper Kit
3	R0200283-00	1	Weather bar
4	R0200756-00	2	Wheel Assembly
5	R0200166-00	1	Control Rod Assembly
6	R0200757-00	2	Cam Lock Assembly
7	R0200758-00	1	Chute Deflector Assembly
8	R0202002-00	1	Upper Handle Assembly
9	R0202001-00	2	Side Cover Assembly

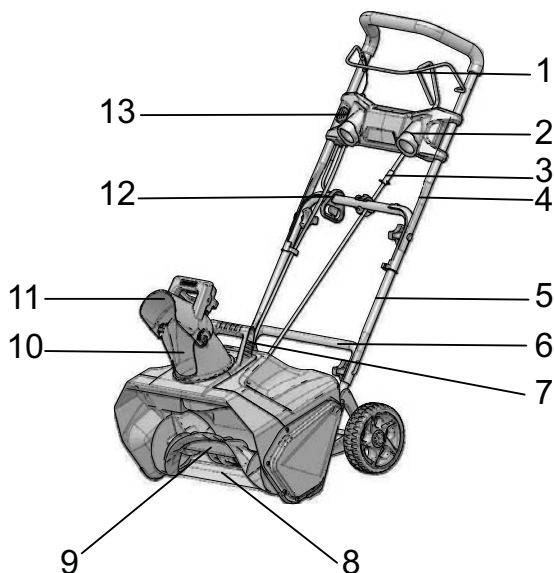
<p>1 Description..... 16</p> <p>1.1 But..... 16</p> <p>1.2 Aperçu..... 16</p> <p>1.3 Liste du contenu de l’emballage..... 16</p> <p>2 Avertissements généraux de sécurité des outils électriques..... 16</p> <p>2.1 Avertissements de sécurité..... 16</p> <p>2.2 Souffleuse à neige à double isolation..... 18</p> <p>3 Électrique..... 19</p> <p>4 Symboles figurant sur la machine..... 19</p> <p>5 Niveaux de risques..... 20</p> <p>6 Installation..... 20</p> <p>6.1 Déballez la machine..... 20</p> <p>6.2 Installez la poignée supérieure..... 21</p> <p>6.3 Installez la poignée du milieu..... 21</p> <p>6.4 Installez le déflecteur de la goulotte..... 21</p> <p>6.5 Installez la tige de commande de la goulotte...21</p>	<p>7 Utilisation..... 22</p> <p>7.1 Démarrer la machine..... 22</p> <p>7.2 Arrêter la machine..... 22</p> <p>7.3 Utilisez la corde de rétention..... 22</p> <p>7.4 Réglez la goulotte d'éjection..... 22</p> <p>7.5 Réglez le déflecteur de la goulotte..... 23</p> <p>7.6 Phares avant DEL..... 23</p> <p>7.7 Conseils sur l'utilisation..... 23</p> <p>8 Entretien..... 23</p> <p>8.1 Entretien général..... 23</p> <p>8.2 Remplacez le grattoir..... 24</p> <p>8.3 Remplacez la turbine..... 24</p> <p>8.4 Entreposez la machine..... 25</p> <p>9 Dépannage..... 25</p> <p>10 Données techniques..... 25</p> <p>11 Garantie limitée..... 26</p> <p>12 Vue éclatée..... 27</p>
--	--

1 DESCRIPTION

1.1 BUT

Cette machine est utilisée pour enlever et déblayer la neige des trottoirs, allées et autres surfaces pavées au niveau du sol.

1.2 APERÇU



- 1 Levier de verrouillage
- 2 Lumière DEL
- 3 Tige de commande de la goulotte
- 4 Partie supérieure du guidon
- 5 Poignée du milieu
- 6 Poignée inférieure
- 7 Poignée de transport ou de levage
- 8 Grattoir
- 9 Turbine
- 10 Goulotte d'éjection
- 11 Déflecteur de la goulotte
- 12 Dispositif de retenue du cordon
- 13 Bouton de sécurité de l'interrupteur

1.3 LISTE DU CONTENU DE L'EMBALLAGE

- | | |
|---|---|
| 1 Souffleuse à neige
Outil seulement | 5 Ensemble de la partie
supérieure du guidon |
| 2 Ensemble du
déflecteur de goulotte | 6 Assemblage de la
poignée centrale |
| 4 Ensemble de la tige de
commande | 7 Manuel |

2 AVERTISSEMENTS GÉNÉRAUX DE SÉCURITÉ DES OUTILS ÉLECTRIQUES

▲ AVERTISSEMENT

Lisez tous les avertissements de sécurité et toutes les instructions. Le non-respect de ces avertissements et de ces instructions peut entraîner un choc électrique, un incendie et/ou des blessures graves.

Conservez tous les avertissements et instructions pour référence ultérieure.

Le terme « outil électrique » dans les avertissements se réfère à votre outil électrique alimenté (cordés) par secteur.

2.1 AVERTISSEMENTS DE SÉCURITÉ

- Marchez. Ne courez pas.
- Habillez-vous correctement – Ne portez pas de vêtements amples ou de bijoux. Ils pourraient se coincer dans les pièces en mouvement.
- Gardez les enfants à l'écart - Tous les visiteurs doivent être tenus à bonne distance de la zone de travail.
- N'utilisez que des pièces de rechange identiques lors de l'entretien. Remplacez ou réparez les cordons endommagés.
- Si l'outil électrique commence à vibrer anormalement, arrêtez-le immédiatement et essayez d'en déterminer la cause. En général, les vibrations sont un signe de danger.
- N'utilisez pas sur une surface gravillonnée à moins que l'outil motorisé ne soit réglé pour une telle surface conformément au manuel d'utilisation.
- Portez des bottes en caoutchouc lorsque vous utilisez l'outil électrique. N'utilisez pas l'outil électrique pieds nus ou avec des sandales ouvertes. Portez toujours des chaussures robustes.
- L'utilisation de l'outil motorisé en position tenue à la main n'est pas sécuritaire, sauf en conformité avec les instructions spéciales prévues à cet effet dans le manuel d'utilisation.
- Gardez les gardes protectrices en place et en bon état de fonctionnement.
- Ne forcez pas l'outil électrique : il fera mieux le travail et sera plus sécuritaire au rythme pour lequel il a été conçu.
- Ne vous penchez pas trop, gardez un bon équilibre en tout temps.
- Si l'outil électrique heurte un corps étranger, procédez comme suit :
 1. Arrêtez la machine. Relâchez l'interrupteur.
 2. Débranchez la corde d'alimentation.
 3. Réparez toutes les pièces endommagées avant de redémarrer et d'utiliser l'outil électrique.
- Rangez toujours les outils électriques inutilisés à l'intérieur - Lorsqu'ils ne sont pas utilisés, entreposez-les à l'intérieur dans un endroit sec, hors de portée des enfants.

- N'utilisez pas l'équipement sans porter de vêtements d'hiver adéquats. Portez des chaussures qui amélioreront la stabilité sur les surfaces glissantes.
- Ne dirigez jamais la décharge vers des personnes ou des zones où des dommages matériels peuvent survenir.
- Lors du nettoyage, de la réparation ou de l'inspection, assurez-vous que le collecteur/la turbine et toutes les pièces mobiles sont arrêtés.
- Entretenez les outils électriques avec soin - Suivez les instructions pour lubrifier et changer les accessoires.
- Laissez tourner l'outil électrique pendant quelques minutes après le déneigement afin d'empêcher les pièces mobiles de geler.
- Pour éviter l'utilisation de chocs électriques, utilisez uniquement une rallonge appropriée pour une utilisation à l'extérieur.
- N'utilisez que des pièces de rechange et des accessoires identiques pour cet outil électrique. L'utilisation de pièces ou d'accessoires non identiques peut entraîner des blessures graves pour l'utilisateur ou endommager l'outil électrique et annuler la garantie.
- Ne soulevez pas l'outil électrique pendant qu'il est en marche. L'outil électrique est conçu pour se déplacer sur le sol.
- Ne laissez jamais les enfants utiliser l'outil électrique. Garder la zone d'opération à l'écart de toute personne, en particulier les jeunes enfants et les animaux domestiques.
- Ne permettez jamais à un adulte d'opérer la machine sans qu'il ait la formation nécessaire.
- Inspectez soigneusement l'endroit où l'équipement doit être utilisé et enlevez toutes les pierres, les bâtons, les fils, les os et autres objets étrangers.
- N'utilisez pas l'outil électrique à des vitesses élevées de déplacement sur des surfaces glissantes. Prenez soin en marche arrière.
- Le contact de la main avec la turbine rotative à l'intérieur de la goulotte de refoulement est la cause la plus fréquente de blessures associées aux souffleuses à neige. N'utilisez jamais votre main pour nettoyer la goulotte de refoulement. Pour dégager la goulotte :
 1. ARRÊTEZ LA MACHINE !
 2. Attendez 10 secondes pour être sûr que les pales de la turbine ont cessé de tourner.
 3. Utilisez toujours un outil de débouillage, pas vos mains.
- Arrêtez la lame lorsque vous traversez des voies de gravier, des voies piétonnières ou des routes.
- Ne surchargez pas la capacité de la machine en essayant de déneiger à un rythme trop rapide.
- N'utilisez jamais l'outil électrique sans bonne visibilité ni lumière. Soyez toujours sûr de votre pied, et maintenez une prise ferme sur les poignées.
- Vérifiez tous les écrous de cisaillement, les boulons et vis à intervalles fréquents pour vous assurer que l'équipement est bien serré et en bon état de fonctionnement.
- Référez-vous toujours aux instructions du Guide du propriétaire pour des détails importants si la machine doit être stockée pendant une période prolongée.
- Maintenez ou remplacez les décalques de sécurité et d'instructions au besoin.
- Faites marcher la machine quelques minutes après avoir jeté de la neige pour empêcher le gel du collecteur/turbine.
- Pour éviter de débrancher le cordon d'alimentation de la rallonge pendant le fonctionnement. Reportez-vous à la section intitulée Utilisation du dispositif de retenue du cordon.
- Évitez tout démarrage accidentel : ne transportez pas l'appareil branché avec un doigt sur l'interrupteur. Assurez-vous que l'interrupteur est éteint lorsque vous branchez l'outil.
- Si le cordon est endommagé de quelque façon que ce soit pendant qu'il est branché, débranchez-le immédiatement de la prise.
- Portez toujours des lunettes de sécurité ou des protections oculaires pendant le fonctionnement ou tout en effectuant un réglage ou une réparation pour protéger les yeux des corps étrangers qui peuvent être jetés de la machine.
- N'abusez pas le cordon - Ne transportez jamais la machine par le cordon ou l'arracher pour se déconnecter de la prise. Éloignez le cordon à l'écart de la chaleur, de l'huile et des bords tranchants.
- Débranchez l'outil électrique de l'alimentation électrique lorsqu'il n'est pas utilisé, avant l'entretien, lors du remplacement des accessoires, etc.
- Lisez attentivement le manuel d'opérateur. Familiarisez-vous avec les commandes et l'utilisation correcte de l'équipement. Apprenez comment arrêter l'appareil et désengager rapidement les commandes.
- N'utilisez que des pièces de rechange identiques lors de l'entretien. Remplacez ou réparez les cordons endommagés.
- Ne l'utilisez pas sur une surface gravelée à moins que la machine ne soit ajustée pour une telle surface conformément au manuel de l'utilisateur.
- Gardez les enfants à l'écart - Tous les visiteurs doivent être tenus à bonne distance de la zone de travail.
- Garder la zone d'opération à l'écart de toute personne, en particulier les jeunes enfants et les animaux domestiques.
- Habillez-vous correctement – Ne portez pas de vêtements amples ou de bijoux. Ils pourraient se coincer dans les pièces en mouvement.
- Portez des bottes en caoutchouc lorsque vous utilisez la machine.
- L'utilisation de la machine soutenue dans la main est dangereuse, sauf en conformité avec les instructions spéciales pour cette utilisation fournies dans le manuel de l'utilisateur.
- Faites preuve de prudence pour éviter le glissement ou la chute, surtout en opération en marche arrière.

- Pour éviter l'utilisation de chocs électriques, utilisez uniquement une rallonge appropriée pour une utilisation à l'extérieur.
- Utilisez des rallonges et des réceptacles comme spécifié par le fabricant pour toutes les unités avec moteurs électriques ou moteurs de démarrage électriques.
- Rallonges – Pour empêcher la déconnexion du cordon de la machine de la rallonge pendant le fonctionnement
 1. Faire un nœud comme illustré dans la figure ; ou
 2. Utilisez l'une des sangles de retenue ou des connecteurs de prise de courant décrits dans ce manuel.
- Évitez le démarrage accidentel – ne portez pas de machine branchée avec le doigt sur l'interrupteur. Assurez-vous que l'interrupteur est éteint lorsque vous branchez l'outil.
- Si le cordon est endommagé de quelque manière que ce soit lorsqu'il est branché, tirez la rallonge de la prise murale.
- N'abusez pas le cordon - Ne transportez jamais la machine par le cordon ou l'arracher pour se déconnecter de la prise. Éloignez le cordon à l'écart de la chaleur, de l'huile et des bords tranchants.
- Inspectez soigneusement la zone où l'équipement doit être utilisé et enlevez tous les paillasons, traîneaux, planches, fils et autres objets étrangers.
- Si la machine frappe un corps étranger, procédez comme suit :
 1. Arrêtez la machine. Relâchez l'interrupteur.
 2. Débranchez la corde d'alimentation.
 3. Vérifiez qu'elle n'est pas endommagée.
 4. Réparer tout dommage avant de redémarrer et d'utiliser la machine.
- Ajustez la hauteur du carter du collecteur pour dégager le gravier ou la surface rocheuse écrasée.
- Ne tentez jamais d'effectuer des ajustements pendant que la machine est en marche (sauf si le fabricant le recommande).
- Débranchez la machine de l'alimentation électrique lorsqu'elle n'est pas utilisée, avant l'entretien ou lorsque vous chargez les accessoires, etc.
- Ne mettez pas les mains ou les pieds près ou sous des pièces rotatives. En tout temps, se tenir à l'écart de l'ouverture de déchargement.
- Faites preuve d'extrême prudence lors de l'utilisation sur ou en traversant des voies en gravier, des promenades ou des routes. Restez vigilant pour les dangers cachés ou la circulation.
- Après avoir heurté un corps étranger, éteignez la machine et retirez la fiche, puis inspectez-la pour identifier les dommages. Réparez toutes les pièces endommagées avant de redémarrer et d'utiliser l'outil électrique.
- Si l'appareil devait commencer à vibrer anormalement, arrêter la machine et vérifier immédiatement la cause. La vibration est généralement un avertissement de trouble.
- Lors du nettoyage, de la réparation ou de l'inspection, assurez-vous que le collecteur/la turbine et toutes les pièces mobiles sont arrêtés.
- Faites preuve d'extrême prudence lorsque vous déneigez des pentes.
- Ne jamais utiliser la machine sans les protections adéquates, gardez les autres dispositifs de protection de sécurité en place et en fonction.
- Ne dirigez jamais la décharge vers des personnes ou des zones où des dommages matériels peuvent survenir. Éloignez les enfants et les autres.
- Arrêtez la machine chaque fois que vous quittez la position de fonctionnement, avant le décolmatage du carter du collecteur/de la turbine ou du guide de refoulement, et en effectuant des réparations, des ajustements ou des inspections.
- Ne surchargez pas la capacité de la machine en essayant de déneiger à un rythme trop rapide.
- N'utilisez pas l'outil électrique à des vitesses élevées de déplacement sur des surfaces glissantes. Prenez soin en marche arrière.
- Débranchez l'alimentation du collecteur/de la turbine lorsque la machine est transportée ou non utilisée.
- N'utilisez que des pièces jointes et des accessoires approuvés par le fabricant de la machine (tels que les poids des roues, les contrepoids ou les cabines).
- N'utilisez jamais l'outil électrique sans bonne visibilité ni lumière. Soyez toujours sûr de votre pied, et maintenez une prise ferme sur les poignées.
- Entrez la machine à l'intérieur – lorsqu'elle n'est pas utilisée, la machine doit être entreposée à l'intérieur dans un endroit sec et verrouillé – hors de portée des enfants.
- Entretenez la machine avec soin - Suivez les instructions pour lubrifier et changer les accessoires.
- Vérifiez tous les écrous de cisaillement, les boulons et vis à intervalles fréquents pour vous assurer que l'équipement est bien serré et en bon état de fonctionnement.
- Faites effectuer l'entretien par un réparateur qualifié en n'utilisant que des pièces de rechange identiques. Cela garantira le maintien de la sécurité du produit.
- Référez-vous toujours aux instructions du Guide du propriétaire pour des détails importants si la machine doit être stockée pendant une période prolongée.
- Maintenez ou remplacez les décalques de sécurité et d'instructions au besoin.
- Faites marcher la machine quelques minutes après avoir jeté de la neige pour empêcher le gel du collecteur/turbine.

2.2 SOUFFLEUSE À NEIGE À DOUBLE ISOLATION

- La double isolation élimine le besoin d'un cordon d'alimentation à trois fils mis à la terre et d'un système d'alimentation à la terre. Partout où il y a du courant électrique dans la machine, il y a deux ensembles

complets d'isolation pour protéger l'utilisateur. Toutes les pièces métalliques exposées sont isolées des composants métalliques internes du moteur par une protection de l'isolation.

i IMPORTANT

L'entretien d'une machine à double isolation nécessite un soin extrême et une connaissance approfondie du système, et ne doit être effectué que par un technicien qualifié. Si des réparations sont nécessaires, appelez le centre de service. Utilisez toujours des pièces de rechange d'origine de l'usine lors de l'entretien.

▲ AVERTISSEMENT

C'EST VOTRE RESPONSABILITÉ ! Limiter l'utilisation de cette machine aux personnes qui ont lu et compris les avertissements et instructions qui figurent dans ce manuel et sur la machine et qui les respectent.

3 ÉLECTRIQUE

▲ AVERTISSEMENT

Le système à double isolation est destiné à protéger l'utilisateur contre les chocs résultant d'une rupture de l'isolation interne de l'outil. Respectez toutes les mesures de sécurité normales pour éviter les chocs électriques.

Connexion électrique

Ce produit est équipé d'un moteur électrique de précision. Il doit être raccordé à une source d'alimentation de 120 V, CA seulement (courant domestique normal), 60 Hz. N'utilisez pas cet appareil avec du courant continu (C.C). Une chute de tension importante entraînera une perte de puissance et le moteur surchauffera. Si l'appareil ne fonctionne pas lorsqu'il est branché dans une prise de courant, vérifiez à nouveau l'alimentation électrique.

Rallonges électriques

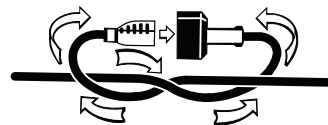
Lorsque vous utilisez un outil électrique à une distance considérable d'une source d'alimentation, assurez-vous d'utiliser une rallonge électrique capable de supporter le courant que le produit consommera. Un cordon d'alimentation trop petit provoquera une chute de la tension secteur, ce qui entraînera une surchauffe et une perte de puissance. Utilisez le tableau pour déterminer la taille minimale de fil requise pour une rallonge électrique. Seuls les cordons à gaine ronde homologués par les Underwriter's Laboratories (UL) doivent être utilisés.

Lorsque vous travaillez à l'extérieur avec un produit, utilisez une rallonge électrique conçue pour un usage extérieur. Ce type de cordon est désigné par la mention « W-A » ou « W » sur la gaine du cordon.

Avant d'utiliser une rallonge électrique, vérifiez qu'il n'y a pas de fils détachés ou exposés et qu'il n'y a pas d'isolant coupé ou usé.

Une rallonge électrique appropriée est disponible dans un centre de service autorisé.

Il est possible d'attacher la rallonge et le cordon d'alimentation dans un nœud pour éviter qu'ils ne se débranchent pendant l'utilisation. Faites le nœud comme indiqué sur la figure, puis branchez l'extrémité de la fiche du cordon d'alimentation dans l'extrémité de la prise du cordon d'extension. Cette méthode peut également être utilisée pour attacher deux rallonges électriques ensemble.





Intensité nominale (sur la plaque)						
	0 - 2,0	2,1 - 3,4	3,0 - 3,5	5,1 - 7,0	7,1 - 12,0	12,1 - 16,0
Longueur du cordon	Taille du fil (A.W.G.)					
	25'	16	16	16	14	14
	50'	16	16	16	14	12
	100'	16	16	14	12	-
Utilisé sur un circuit de calibre 12 - 20 A						
AWG = American Wire Gauge						





Gardez la rallonge électrique à l'écart de la zone de travail. Placez le cordon de manière à ce qu'il ne se coince pas dans le bois, les outils ou d'autres obstructions lorsque vous travaillez avec un outil électrique. Le non-respect de cette consigne peut entraîner des blessures corporelles.

Vérifiez les rallonges électriques avant chaque utilisation. S'il est endommagé, remplacez-le immédiatement. N'utilisez jamais l'appareil si le cordon d'alimentation est endommagé, car tout contact avec la zone endommagée pourrait provoquer un choc électrique et entraîner des blessures graves.

4 SYMBOLES FIGURANT SUR LA MACHINE




Certains des symboles suivants peuvent être utilisés sur cet outil. Veuillez les étudier et apprendre leur signification. Une bonne interprétation de ces symboles vous permettra de mieux utiliser l'outil et de manière plus sécuritaire.

Symbole	Explication
	Courant alternatif
	Précautions destinées à assurer la sécurité.

Symbole	Explication
	Lisez et comprenez toutes les instructions avant d'utiliser cette machine, et suivez tous les avertissements et les consignes de sécurité.
	Les objets projetés peuvent ricocher et causer des blessures corporelles ou des dommages matériels. Portez des vêtements et des bottes de protection.
	Gardez les pieds éloignés des ouvertures lorsque la machine est en marche.
	Éloignez vos mains de la zone de décharge.
	Arrêtez le moteur et débranchez la machine avant de la laisser.
	Portez des lunettes enveloppantes et un casque anti-bruit.
	N'utilisez pas un cordon d'alimentation endommagé.

5 NIVEAUX DE RISQUES

Les termes de mise en garde suivants et leur signification ont pour but d'expliquer les niveaux de risques associés à l'utilisation de ce produit.

SYMBOLE	SIGNAL	SIGNIFICATION
	DANGER	Indique une situation dangereuse imminente qui, si elle n'est pas évitée, peut entraîner la mort ou des blessures graves.
	AVERTISSEMENT	Indique une situation potentiellement dangereuse qui, si elle n'est pas évitée, peut entraîner la mort ou des blessures graves.
	MISE EN GARDE	Indique une situation potentiellement dangereuse qui, si elle n'est pas évitée, pourrait causer des blessures mineures ou modérées.
	MISE EN GARDE	(Sans symbole d'alerte de sécurité) indique une situation pouvant entraîner des dommages matériels.

6 INSTALLATION

▲ AVERTISSEMENT

Ne changez pas ou ne fabriquez pas des accessoires qui ne sont pas recommandés par le fabricant.

▲ AVERTISSEMENT

Ne branchez pas la machine à l'alimentation électrique avant d'avoir assemblé toutes les pièces.

6.1 DÉBALLEZ LA MACHINE

▲ AVERTISSEMENT

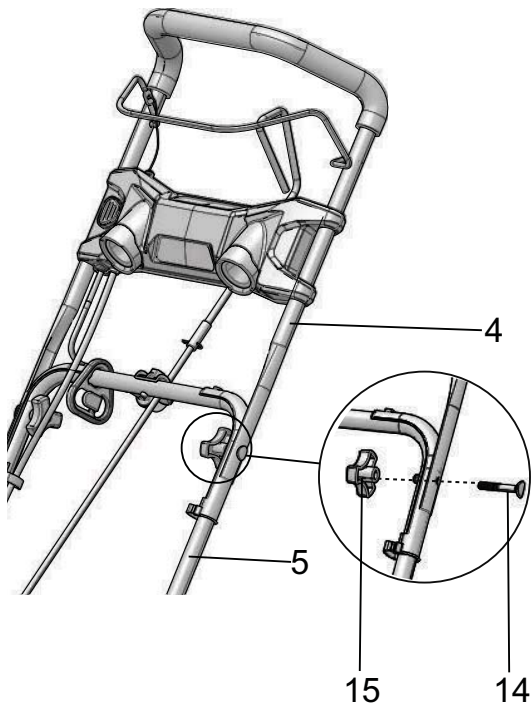
Assurez-vous d'assembler correctement la machine avant de l'utiliser.

▲ AVERTISSEMENT

- Si les pièces de la machine sont endommagées, ne l'utilisez pas.
- Si vous n'avez pas toutes les pièces, n'utilisez pas la machine.
- Si les pièces sont endommagées ou manquantes, communiquez avec le centre de service.

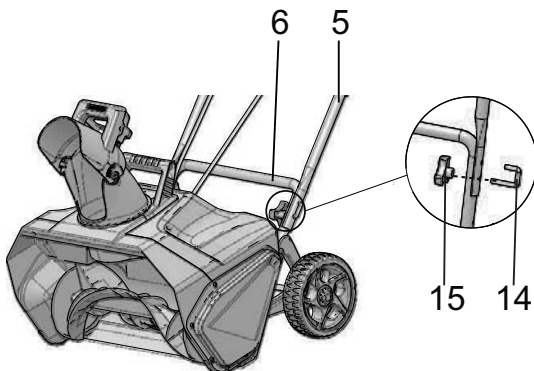
1. Ouvrez l'emballage.
2. Lisez la documentation contenue dans la boîte.
3. Retirez toutes les pièces non assemblées de la boîte.
4. Retirez la machine de sa boîte.
5. Jetez la boîte et l'emballage en respectant les règlements locaux.

6.2 INSTALLEZ LA POIGNÉE SUPÉRIEURE



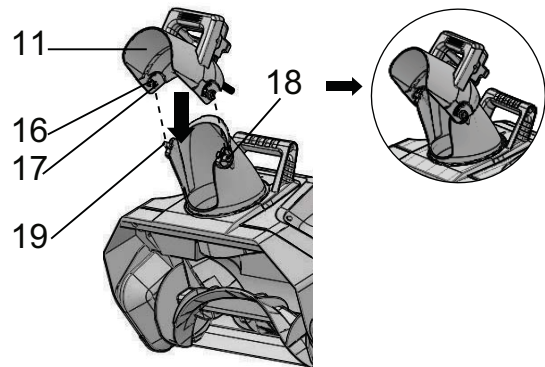
1. Alignez les trous de la poignée (5) du milieu et de la poignée supérieure (4).
2. Insérez le boulon (14) à travers la poignée du milieu (5) et la poignée supérieure (4).
3. Serrez le bouton de la poignée (15) sur le boulon (14).
4. Faites la même opération sur l'autre côté.

6.3 INSTALLEZ LA POIGNÉE DU MILIEU



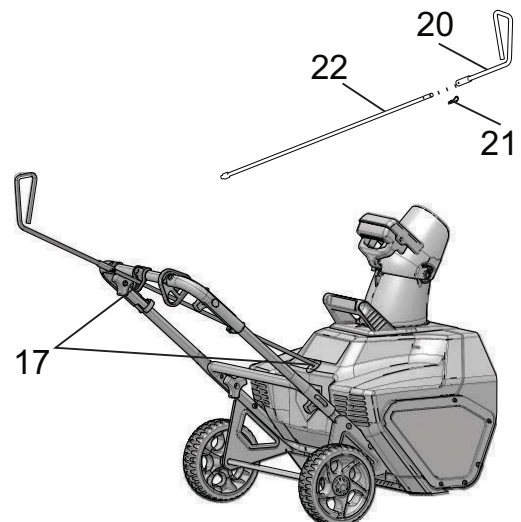
1. Alignez les trous de la poignée du milieu (5) et de la poignée inférieure (6).
2. Insérez les boulons (14) dans la poignée du milieu (5) et dans la poignée inférieure (6).
3. Serrez le bouton de la poignée (15) sur le boulon (14).
4. Répétez sur le côté gauche/droit.

6.4 INSTALLEZ LE DÉFLECTEUR DE LA GOULOTTE



1. Alignez d'abord les languettes (18) sur les fentes (16) d'un côté.
2. Une fois que vous avez engagé une languette sur une fente, appuyez jusqu'à ce que vous entendiez un clic. Répétez de l'autre côté.
3. Poussez le déflecteur de la goulotte (11).
4. Assurez-vous que les languettes (18) sont bien engagées dans les fentes (16) des deux côtés.
5. Assurez-vous que les poteaux (19) sont bien engagés dans les fentes (17) des deux côtés.

6.5 INSTALLEZ LA TIGE DE COMMANDE DE LA GOULOTTE



1. Alignez les trous (17) de la tige supérieure (20) et de la tige inférieure (22) de la commande de la goulotte.
2. Insérez la goupille de sécurité (21) dans les trous (17).
3. Alignez les flèches de la goulotte d'éjection et du plateau de la souffleuse à neige. Assurez-vous que la goulotte d'éjection est orientée vers l'avant.
4. Insérez l'extrémité de la tige de commande de la goulotte (3) directement dans le trou (17) du support. Baissez la poignée du guidon.

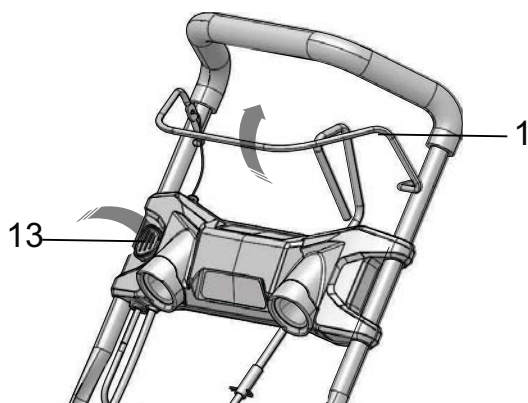
5. Poussez la tige de commande de la goulotte (3) dans le trou (17) situé derrière le plateau.
6. Tournez la poignée à gauche et à droite pour vous assurer que la goulotte d'éjection se déplace dans la même direction.

7 UTILISATION

▲ AVERTISSEMENT

Portez des lunettes de protection pendant l'utilisation.

7.1 DÉMARRER LA MACHINE



1. Tout en maintenant le bouton de l'interrupteur de sécurité enfoncé (13), tirez sur le levier de verrouillage (1) pour démarrer la machine.

i REMARQUE

Abaissez le grattoir au sol pour enlever la neige.

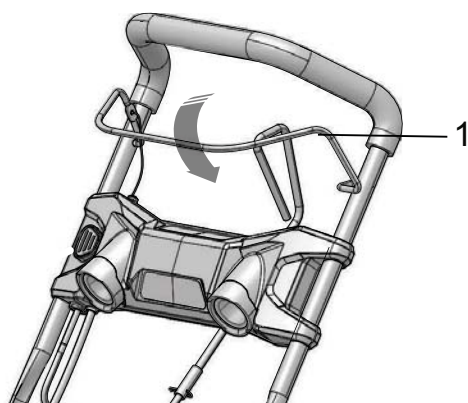
▲ AVERTISSEMENT

Tenez les personnes présentes à une distance sécuritaire de la machine.

▲ AVERTISSEMENT

Inspectez la zone de travail. Enlevez tous les cailloux, les bâtons, les fils, les os et autres débris qui peuvent ricocher à cause de la turbine rotative.

7.2 ARRÊTER LA MACHINE



1. Relâchez la barre de sécurité (1) pour arrêter la machine.

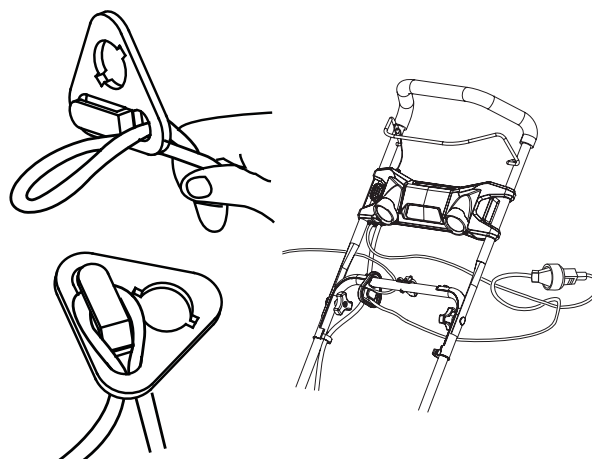
▲ AVERTISSEMENT

Attendez que la turbine s'arrête complètement avant de redémarrer la machine. N'éteignez pas et n'allumez pas brusquement la machine.

▲ AVERTISSEMENT

Débranchez le cordon d'alimentation une fois les travaux terminés.

7.3 UTILISEZ LA CORDE DE RÉTENTION

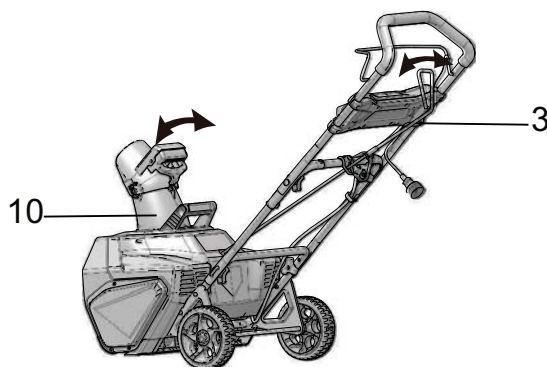


i REMARQUE

Ne branchez pas le câble de rallonge dans la prise de courant tant qu'il n'a pas été branché sur le support de câble et branché sur la machine.

1. Pliez le câble de rallonge pour former une boucle serrée près de la corde de rétention.
2. Poussez la boucle dans le trou inférieur de la corde de rétention.
3. Déplacez la boucle sur le clip de retenue et tirez vers le bas jusqu'à ce que le câble est bien attaché.

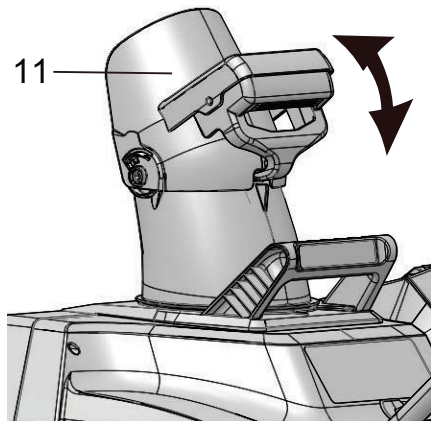
7.4 RÉGLEZ LA GOULOTTE D'ÉJECTION



Vous pouvez régler la goulotte d'éjection de 180° pour changer la direction de la neige.

1. Tournez la poignée (3) vers la gauche pour déplacer la goulotte d'éjection (10) vers la gauche.
2. Tournez la poignée (3) vers la droite pour déplacer la goulotte d'éjection (10) vers la droite.

7.5 RÉGLEZ LE DÉFLECTEUR DE LA GOULOTTE



Vous pouvez ajuster le déflecteur de la goulotte de haut en bas pour modifier la distance de projection de la neige.

▲ AVERTISSEMENT

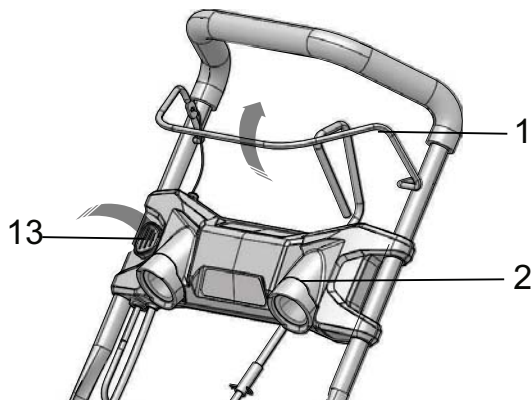
Relâchez la barre de sécurité avant de régler le déflecteur de la goulotte.

▲ AVERTISSEMENT

Ne poussez pas le déflecteur de la goulotte trop loin vers l'avant afin d'éviter qu'il y ait un espace entre le déflecteur et la goulotte.

1. Poussez et maintenez la gâchette sur le déflecteur de la goulotte et maintenez-la enfoncée.
2. Déplacez le déflecteur de la goulotte (11) vers le haut pour augmenter la distance de neige.
3. Déplacez le déflecteur de la goulotte (11) vers le bas pour réduire la distance de neige.

7.6 PHARES AVANT DEL



Allumage des phares avant :

1. Poussez et maintenez enfoncé le bouton de sécurité de l'interrupteur (13).
2. Pour allumer les phares (2), tirez la barre de sécurité (1) dans la direction du guidon.

Éteindre les phares avant :

3. Relâchez la barre de sécurité (1).

7.7 CONSEILS SUR L'UTILISATION

- Si c'est possible, déneigez la neige avec la direction du vent.
- En cas de vent fort, abaissez le déflecteur de la goulotte pour diriger la neige vers le sol.
- Une fois le travail terminé, laissez la machine fonctionner pendant un certain temps pour éviter la formation de glace dans la goulotte d'éjection.
- Si l'épaisseur de la neige est supérieure à 8 po (20 cm), diminuez la vitesse et laissez la machine travailler à son propre rythme.
- N'utilisez pas le grattoir pour enlever la neige compacte et la glace.

8 ENTRETIEN

▲ AVERTISSEMENT

Débranchez la rallonge électrique avant l'entretien.

▲ ATTENTION

Utilisez seulement les pièces de rechange approuvées.

▲ ATTENTION

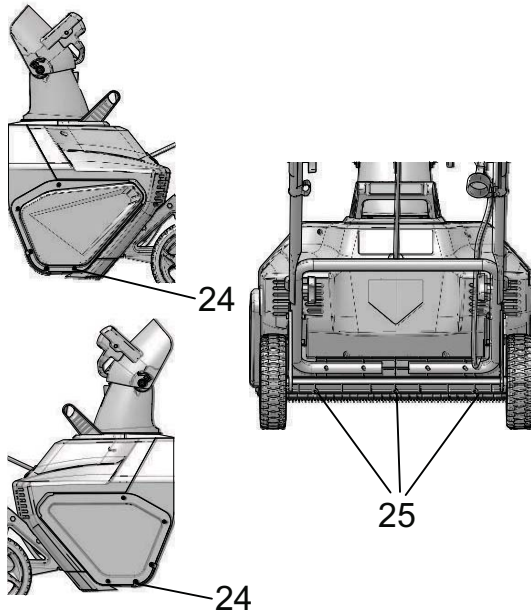
N'utilisez pas de solvants ou de détergents puissants sur le boîtier ou les composants en plastique.

8.1 ENTRETIEN GÉNÉRAL

- Avant chaque utilisation, vérifiez que la machine ne contient pas de pièces endommagées, manquantes ou desserrées, telles que vis, écrous, boulons et capuchons.
- Serrez toutes les fixations et les capuchons.
- Nettoyez la neige qui reste sur la machine à l'aide d'une brosse.

8.2 REMPLACEZ LE GRATTOIR

FR



▲ AVERTISSEMENT

Utilisez seulement les grattoirs approuvés.

▲ AVERTISSEMENT

Portez des gants épais ou enroulez la turbine avec un chiffon lorsque vous la touchez.

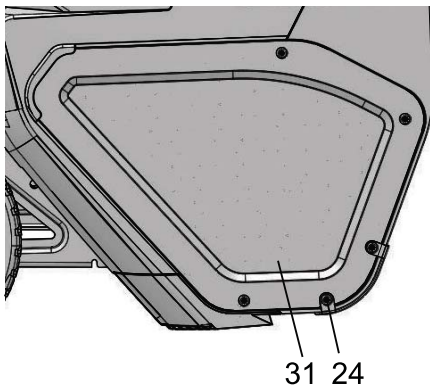
1. Retirez les vis (24) de chaque côté du plateau.
2. Retirez et jetez l'ancien grattoir.
3. Installez le nouveau grattoir.
4. Placez les vis de fixation (25) et les entretoises et serrez-les.

8.3 REMPLACEZ LA TURBINE

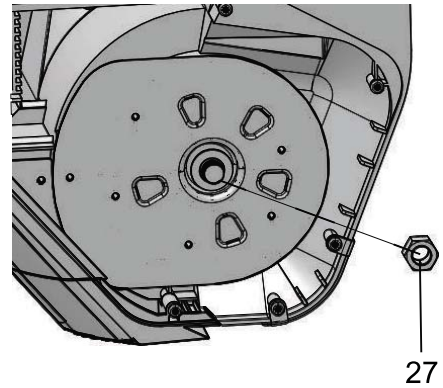
▲ AVERTISSEMENT

Utilisez seulement les grattoirs approuvés.

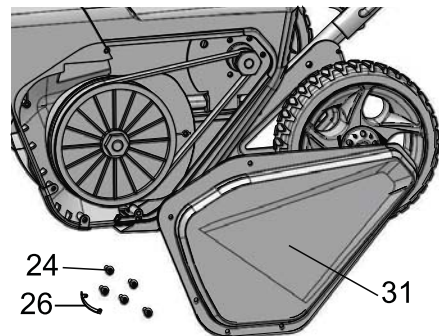
1. Retirez les 5 vis (24) et le patin d'usure latéral (26) qui fixent le couvercle latéral droit (31).



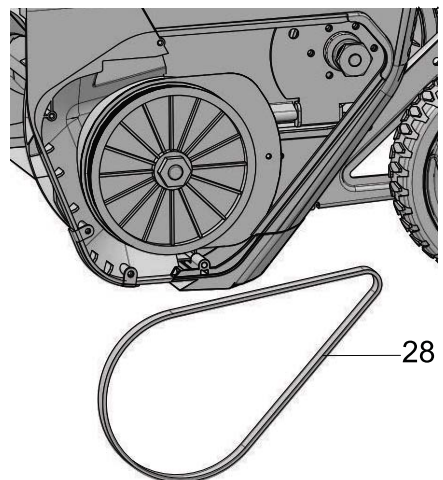
2. Retirez l'écrou (27).



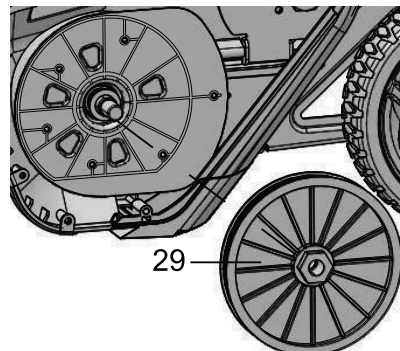
3. Retirez les 5 vis (24) et le patin d'usure latéral (26) qui fixent le couvercle latéral gauche (31).



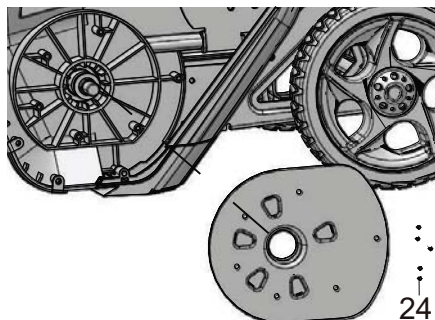
4. Retirez le sac (28).



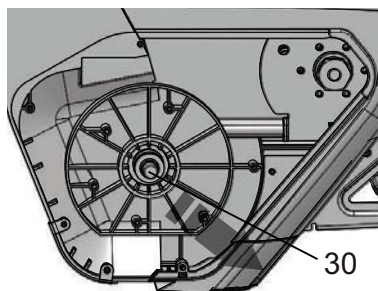
5. Retirez la grande poulie (29) à l'aide d'une clé à douille.



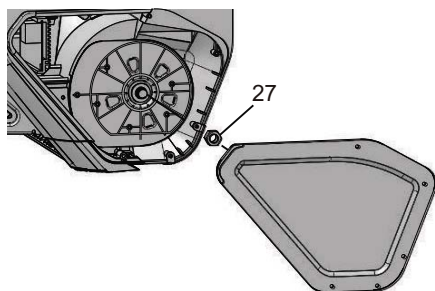
6. Retirez les vis (24) qui fixent la plaque latérale gauche.



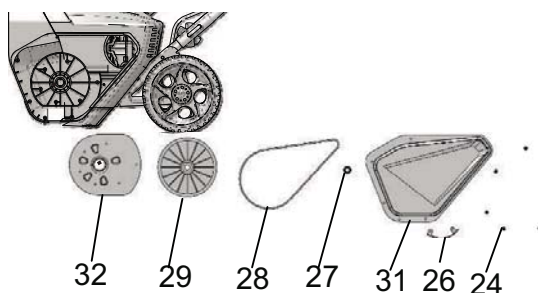
7. Tirez sur l'axe (30) et retirez l'ancienne turbine, installez la nouvelle turbine.



8. Réinstallez l'écrou (27) et le couvercle latéral.



9. Réinstallez la plaque latérale gauche (32), la grande poulie (29), la courroie (28) et le couvercle latéral gauche (31).



8.4 ENTREPOSEZ LA MACHINE

- Nettoyez la machine avant de l'entreposer.
- Assurez-vous que le moteur n'est pas chaud lorsque vous entreposez la machine.
- Assurez-vous que la machine n'a pas de pièces mal fixées ou endommagées. Au besoin, suivez ces étapes/instructions :
 - Remplacez les pièces endommagées.
 - Serrez les écrous.
 - Parlez à une personne d'un centre de service certifié.

- Entreposez la machine dans un endroit sec.
- Assurez-vous que les enfants ne peuvent pas s'approcher de la machine.

9 DÉPANNAGE

Problème	Cause possible	Solution
Le guidon n'est pas bien installé.	Les écrous ne sont pas bien enclenchés.	Ajustez la hauteur du guidon et assurez-vous que les boutons et les boulons sont alignés correctement.
La machine ne démarre pas.	L'interrupteur est défectueux.	Faites remplacer l'interrupteur défectueux par un centre de service agréé.
	La rallonge électrique n'est pas raccordée à la prise.	Branchez la prise de la machine sur la rallonge.
	La rallonge électrique n'est pas raccordée à la source d'alimentation.	Branchez la rallonge dans une prise de courant sous tension de 120 V CA, 60 Hz.
Le moteur est en marche, mais la roue ne tourne pas.	La ceinture est endommagée.	Remplacez la ceinture.
Une fine couche de neige reste derrière.	Le grattoir est endommagé.	Remplacez le grattoir.

* Si vous ne trouvez pas une solution à ces problèmes, communiquez avec le centre de service.

10 DONNÉES TECHNIQUES

Voltage	120 V, 60 Hz, 13 A
Vitesse à vide	2500 RPM
Largeur de travail	20 in. (50.8 cm)
Profondeur de déneigement	10 in. (25.4 cm)
Poids	35.27 lbs (16 kg)
Conception à double isolation	

11 GARANTIE LIMITÉE



Greenworks garantit par la présente ce produit, à l'acheteur original avec preuve d'achat, pour une période de trois (3) ans contre tout défaut de matériaux, de pièces ou de main-d'œuvre. Greenworks, à sa propre discrétion, réparera ou remplacera toutes les pièces défectueuses, dans des conditions normales d'utilisation, sans frais pour le client. Cette garantie n'est valable que pour les appareils qui ont été utilisés à des fins personnelles, qui n'ont pas été loués à des fins industrielles ou commerciales et qui ont été entretenus conformément aux instructions du manuel du propriétaire fourni avec le produit neuf.

ARTICLES NON COUVERTS PAR LA GARANTIE :

1. Toute pièce qui est devenue inopérante en raison d'une mauvaise utilisation, d'une utilisation commerciale, d'un abus, d'une négligence, d'un accident, d'un entretien inapproprié ou d'une modification ; ou
2. L'appareil, s'il n'a pas été utilisé et/ou entretenu conformément au manuel du propriétaire ; ou
3. Usure normale, sauf comme indiqué ci-dessous ;
4. Articles d'entretien courant tels que lubrifiants, affûtage des lames ;
5. Détérioration normale du fini extérieur due à l'utilisation ou à l'exposition.

ASSISTANCE TÉLÉPHONIQUE :

Le service de garantie est disponible en appelant notre ligne d'assistance téléphonique sans frais, au 1-888-909-6757 .

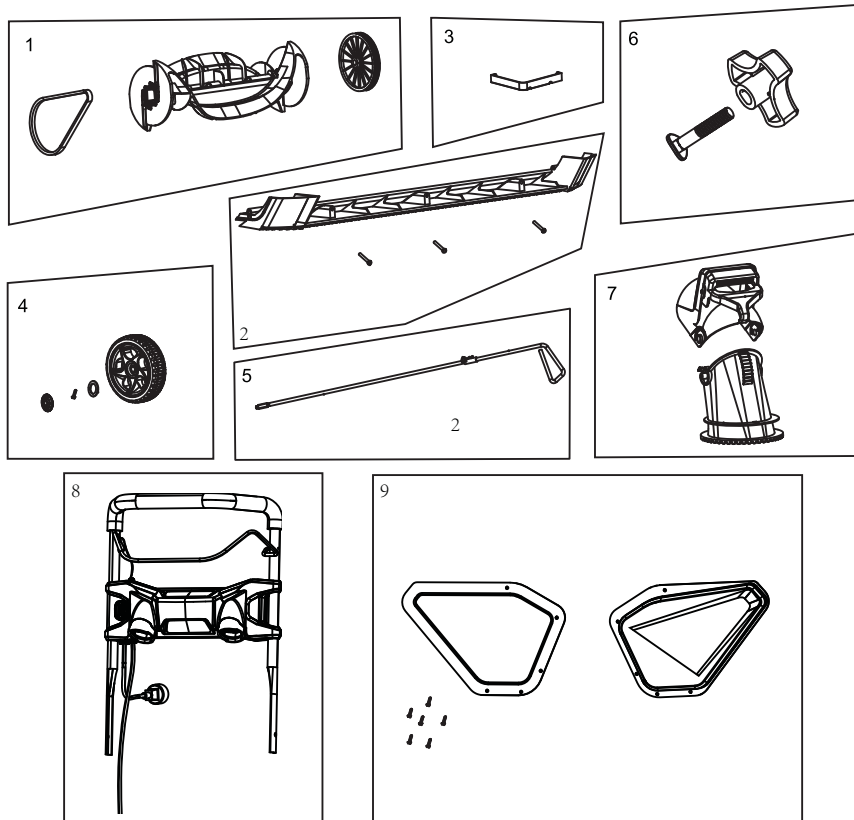
FRAIS DE TRANSPORT :

Les frais de transport pour le déplacement de tout équipement motorisé ou accessoire sont à la charge de l'acheteur. Il incombe à l'acheteur de payer les frais de transport pour toute pièce retournée pour remplacement en vertu de la présente garantie, à moins qu'un tel retour soit demandé par écrit par Greenworks.

Adresse aux États-Unis : Adresse au Canada :

Greenworks Tools	Greenworks Tools Canada Inc.
P.O. Box 1238	P.O. Box 93095, Newmarket, Ontario
Mooresville, NC 28115	L3Y 8K3

12 VUE ÉCLATÉE



No	No de pièce	Qté	Description
1	R0200164-00	1	Ensemble de la turbine
2	R0200761-00	1	Ensemble du grattoir
3	R0200283-00	1	Barre protectrice
4	R0200756-00	2	Ensemble de roues
5	R0200166-00	1	Ensemble de la tige de commande
6	R0200757-00	2	Ensemble du dispositif de blocage
7	R0200758-00	1	Ensemble du déflecteur de la goulotte
8	R0202002-00	1	Ensemble du guidon supérieur
9	R0202001-00	2	Ensemble du couvercle latéral

ES

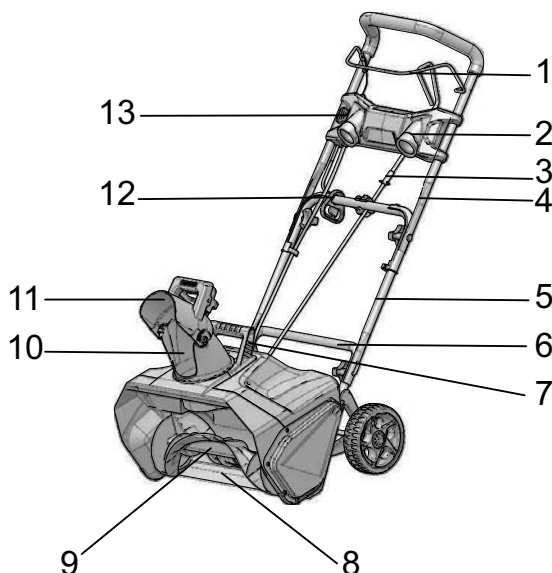
<p>1 Descripción.....29</p> <p>1.1 Finalidad..... 29</p> <p>1.2 Perspectiva general..... 29</p> <p>1.3 Lista de embalaje..... 29</p> <p>2 Advertencias generales de seguridad para herramientas eléctricas.....29</p> <p>2.1 Advertencias de seguridad.....29</p> <p>2.2 Quitanieves con doble aislamiento..... 31</p> <p>3 Sistema eléctrico..... 32</p> <p>4 Símbolos en el producto.....32</p> <p>5 Niveles de riesgo..... 33</p> <p>6 Instalación.....33</p> <p>6.1 Desembalaje de la máquina..... 33</p> <p>6.2 Instalación del asa superior.....33</p> <p>6.3 Instalación del asa intermedia.....34</p> <p>6.4 Instalación del deflector del conducto..... 34</p> <p>6.5 Instalación de la varilla de control del conducto.....34</p>	<p>7 Funcionamiento 34</p> <p>7.1 Puesta en marcha de la máquina..... 35</p> <p>7.2 Detención de la máquina..... 35</p> <p>7.3 Uso de la sujeción del cable..... 35</p> <p>7.4 Ajuste del conducto de descarga.....35</p> <p>7.5 Ajuste del deflector del conducto..... 36</p> <p>7.6 Luces delanteras LED.....36</p> <p>7.7 Consejos de funcionamiento.....36</p> <p>8 Mantenimiento.....36</p> <p>8.1 Mantenimiento general..... 36</p> <p>8.2 Sustitución del rascador.....37</p> <p>8.3 Sustitución del rotor.....37</p> <p>8.4 Almacenamiento de la máquina..... 38</p> <p>9 Solución de problemas..... 38</p> <p>10 Datos técnicos..... 38</p> <p>11 Garantía limitada..... 39</p> <p>12 Vista despiezada..... 40</p>
---	---

1 DESCRIPCIÓN

1.1 FINALIDAD

Esta máquina se utiliza para quitar y despejar la nieve de aceras, calzadas y otras superficies pavimentadas a nivel de suelo.

1.2 PERSPECTIVA GENERAL



- 1 Palanca de seguridad
- 2 Luces LED
- 3 Varilla de control del conducto
- 4 Asa superior
- 5 Asa intermedia
- 6 Asa inferior
- 7 Asa de transporte o elevación
- 8 Rascador
- 9 Rotor
- 10 Conducto de descarga
- 11 Deflector del conducto
- 12 Retención del cable
- 13 Botón del interruptor de seguridad

1.3 LISTA DE EMBALAJE

- | | |
|---|---------------------------------|
| 1 Quitanieves
herramienta desnuda | 5 Conjunto de asa
superior |
| 2 Conjunto de deflector
del conducto | 6 Conjunto de asa
intermedia |
| 4 Conjunto de varilla de
control | 7 Manual |

2 ADVERTENCIAS GENERALES DE SEGURIDAD PARA

HERRAMIENTAS ELÉCTRICAS

▲ AVISO

Lea todas las advertencias de seguridad y todas las instrucciones. El incumplimiento de las advertencias e instrucciones puede provocar descargas eléctricas, incendios o lesiones graves.

ES

Guarde todas las advertencias e instrucciones para su consulta posterior.

El término “herramienta eléctrica” empleado en las advertencias se refiere a su herramienta eléctrica con funcionamiento de red (con cable).

2.1 ADVERTENCIAS DE SEGURIDAD

- Camine. No corra.
- Lleve indumentaria adecuada – No lleve ropa o joyas sueltas. Pueden quedar atrapadas en las piezas móviles.
- Mantenga alejados a los niños – Todos los visitantes deben mantenerse a una distancia segura de la zona de trabajo.
- Piezas de repuesto Cuando realice tareas de servicio utilice únicamente piezas de repuesto idénticas. Sustituya o repare los cables dañados.
- Si la herramienta eléctrica empieza a vibrar de manera anormal, deténgala inmediatamente e intente determinar la causa. La vibración es normalmente una indicación de peligro.
- No utilice en superficies con grava a menos que la herramienta eléctrica esté ajustada para tal superficie de acuerdo con el manual del operario.
- Lleve botas de goma al utilizar la herramienta eléctrica. No utilice el equipo si está descalzo o lleva sandalias abiertas. Lleve siempre calzado sólido.
- El funcionamiento de la herramienta eléctrica en la posición de mano no es seguro, excepto de acuerdo con las instrucciones especiales para dicho uso que se proporcionan en el manual del operario.
- Mantenga las protecciones en su posición y en estado de funcionamiento.
- No fuerce la herramienta eléctrica – hará el trabajo mejor y con mayor seguridad a la velocidad para la que se diseñó.
- No se estire – Mantenga en todo momento una postura adecuada y el equilibrio.
- Si la herramienta eléctrica golpea un objeto extraño, siga estos pasos:
 1. Detenga la máquina. Suelte el interruptor.
 2. Desenchufe el cable de alimentación.
 3. Repare los daños antes de volver a poner en marcha y utilizar la herramienta eléctrica.
- Almacene las herramientas eléctricas inactivas en interior – Cuando no estén en uso, las herramientas eléctricas

deben almacenarse en interior, en un lugar seco y cerrado, fuera del alcance de los niños.

- No utilice el equipo sin llevar indumentaria adecuada de invierno. Lleve calzado, que mejorará el equilibrio en superficies resbaladizas.
- Nunca dirija la descarga hacia personas o zonas donde puedan producirse daños a la propiedad.
- Cuando limpie, repare o inspeccione, asegúrese de que el colector/rotor y todas las piezas en movimiento se hayan detenido.
- Mantenga las herramientas eléctricas con cuidado – Siga las instrucciones para lubricar y cambiar los accesorios.
- Deje que la herramienta eléctrica funcione unos minutos después de limpiar la nieve para evitar que las piezas en movimiento se congelen.
- Para evitar descargas eléctricas, utilice solo un cable alargador adecuado para uso en exteriores.
- Utilice únicamente piezas de repuesto y accesorios idénticos para esta herramienta eléctrica. La utilización de piezas o accesorios no idénticos podría provocar lesiones graves al usuario o dañar la herramienta eléctrica, y anulará la garantía.
- No coja la herramienta eléctrica mientras esté funcionando. La herramienta eléctrica se ha diseñado para desplazarse por el suelo.
- Nunca permita que los niños utilicen una herramienta eléctrica. Mantenga la zona de funcionamiento libre de cualquier persona, especialmente niños pequeños y mascotas.
- Nunca permita que utilicen el equipo adultos sin la debida instrucción.
- Inspeccione exhaustivamente la superficie donde va a utilizarse el equipo y elimine todas las piedras, ramas, cables, huesos y otros objetos extraños.
- Nunca utilice la máquina a altas velocidades de transporte en superficies resbaladizas. Tenga cuidado al dar marcha atrás.
- El contacto manual con el rotor giratorio dentro del conducto de descarga es la causa más común de lesiones asociadas con la máquina. Nunca utilice la mano para limpiar el conducto de descarga. Para desobstruir el conducto:
 1. ¡APAGUE EL MOTOR!
 2. Espere 10 segundos para asegurarse de que el rotor haya dejado de girar.
 3. Utilice siempre una herramienta de limpieza, no sus manos.
- Detenga el rotor cuando cruce senderos de grava, aceras o caminos.
- No sobrecargue la capacidad de la máquina intentando quitar demasiada nieve a una velocidad demasiado rápida.
- Nunca utilice la máquina sin una buena visibilidad o luz. Asegúrese siempre de tener una posición estable y mantenga un agarre firme en las asas.
- Compruebe los pernos de seguridad y los otros pernos a intervalos frecuentes para garantizar un apriete adecuado

y que el equipo esté en condiciones seguras de funcionamiento.

- Consulte siempre las instrucciones de la guía del propietario para obtener detalles importantes si la máquina debe almacenarse durante un periodo prolongado.
- Mantenga o sustituya las etiquetas de seguridad y de instrucciones, según sea necesario.
- Haga funcionar la máquina unos minutos después de quitar nieve para evitar la congelación del colector/rotor.
- Para evitar que el cable eléctrico se desconecte del cable alargador durante el funcionamiento. Consulte la sección titulada Uso de la retención del cable.
- Evite el arranque accidental – No transporte una herramienta eléctrica enchufada con el dedo sobre el interruptor. Asegúrese de que el interruptor esté desactivado al enchufar.
- Si el cable está dañado de alguna manera mientras está enchufado, desconéctelo de la toma inmediatamente.
- Lleve siempre gafas de seguridad o protectores oculares durante la utilización o al realizar un ajuste o una reparación para proteger los ojos de objetos extraños que puedan ser lanzados desde la máquina.
- No maltrate el cable – Nunca transporte la máquina por el cable ni tire de este para desconectar del enchufe. Mantenga el cable alejado del calor, el aceite y los bordes afilados.
- Desconecte la herramienta eléctrica de la fuente de alimentación cuando no esté en uso, antes de realizar tareas de servicio, cuando cambie accesorios, y similar.
- Lea detenidamente el manual del operario. Familiarícese a fondo con los controles y el uso correcto del equipo. Debe saber cómo detener la unidad y desacoplar los controles rápidamente.
- Piezas de repuesto Cuando realice tareas de servicio utilice únicamente piezas de repuesto idénticas. Sustituya o repare los cables dañados.
- No utilice en superficies con grava a menos que la máquina esté ajustada para tal superficie de acuerdo con el manual del operario.
- Mantenga alejados a los niños – Todos los visitantes deben mantenerse a una distancia segura de la zona de trabajo.
- Mantenga la zona de funcionamiento libre de cualquier persona, especialmente niños pequeños y mascotas.
- Lleve indumentaria adecuada – No lleve ropa o joyas sueltas. Pueden quedar atrapadas en las piezas móviles.
- Lleve botas de goma al utilizar la máquina.
- El funcionamiento de la máquina en la posición de mano no es seguro, excepto de acuerdo con las instrucciones especiales para dicho uso que se proporcionan en el manual del operario.
- Tenga precaución para evitar resbalones o caídas, especialmente durante la utilización marcha atrás.
- Para evitar descargas eléctricas, utilice solo un cable alargador adecuado para uso en exteriores.

- Utilice cables alargadores y enchufes según lo especificado por el fabricante para todas las unidades con motores eléctricos o motores de arranque eléctrico.
- Cables alargadores – Para evitar que el cable de la máquina se desconecte del cable alargador durante el funcionamiento
 1. Haga un nudo como se muestra en la figura; o
 2. Utilice una de las correas de retención de la toma del enchufe o los conectores que se describen en este manual.
- Evite el arranque accidental – No transporte una máquina enchufada con el dedo sobre el interruptor. Asegúrese de que el interruptor esté desactivado al enchufar.
- Si el cable resulta dañado de alguna manera mientras está enchufado, retire el cable alargador de la toma de pared.
- No maltrate el cable – Nunca transporte la máquina por el cable ni tire de este para desconectar del enchufe. Mantenga el cable alejado del calor, el aceite y los bordes afilados.
- Inspeccione exhaustivamente la superficie donde va a utilizarse el equipo y elimine todos los felpudos, trineos, planchas, cables y otros objetos extraños.
- Si la máquina golpea un objeto extraño siga estos pasos:
 1. Detenga la máquina. Suelte el interruptor.
 2. Desenchufe el cable de alimentación.
 3. Inspeccione si hay daños.
 4. Repare los daños antes de volver a poner en marcha y utilizar la máquina.
- Ajuste la altura de la carcasa del colector para dejar espacio en caso de superficies de grava o piedra triturada.
- Nunca intente realizar ningún ajuste mientras la máquina esté en funcionamiento (excepto cuando el fabricante lo recomiende específicamente).
- Desconecte la máquina - Desconecte la máquina de la fuente de alimentación cuando no esté en uso, antes de realizar tareas de servicio, cuando cambie accesorios, y similar.
- No ponga las manos ni los pies cerca o debajo de las piezas giratorias. Manténgase alejado en todo momento de la abertura de descarga.
- Extreme las precauciones al trabajar sobre o al cruzar senderos de grava, aceras o caminos. Esté alerta a los riesgos ocultos o al tráfico.
- Después de golpear un objeto extraño, apague la máquina, retire el enchufe e inspecciónela para detectar daños. Repare los daños antes de volver a poner en marcha y utilizar la máquina.
- Si la unidad empieza a vibrar de manera anormal, detenga la máquina y compruebe de inmediato la causa. Normalmente la vibración es una advertencia de problemas.
- Cuando limpie, repare o inspeccione, asegúrese de que el colector/rotor y todas las piezas en movimiento se hayan detenido.
- Extreme las precauciones cuando trabaje en pendientes.
- Nunca utilice la máquina sin las protecciones u otros dispositivos de protección de seguridad adecuados en su posición y en estado de funcionamiento.
- Nunca dirija la descarga hacia personas o zonas donde puedan producirse daños a la propiedad. Mantenga alejados a los niños y otras personas.
- Detenga la máquina cada vez que abandone la posición de utilización, antes de desatascar la carcasa del colector/rotor o la guía de descarga, así como al realizar reparaciones, ajustes o inspecciones.
- No sobrecargue la capacidad de la máquina intentando quitar demasiada nieve a una velocidad demasiado rápida.
- Nunca utilice la máquina a altas velocidades de transporte en superficies resbaladizas. Tenga cuidado al dar marcha atrás.
- Desconecte la alimentación del colector/rotor cuando la máquina se transporte o no esté en uso.
- Utilice únicamente accesorios aprobados por el fabricante de la máquina (como pesos de ruedas, contrapesos o cabinas).
- Nunca utilice la máquina sin una buena visibilidad o luz. Asegúrese siempre de tener una posición estable y mantenga un agarre firme en las asas.
- Almacene las máquinas inactivas en interior – Cuando no esté en uso, la máquina debe almacenarse en interiores, en un lugar seco, cerrado y fuera del alcance de los niños.
- Mantenga las máquinas con cuidado – Siga las instrucciones para lubricar y cambiar los accesorios.
- Compruebe los pernos de seguridad y los otros pernos a intervalos frecuentes para garantizar un apriete adecuado y que el equipo esté en condiciones seguras de funcionamiento.
- Solicite a un técnico de reparación cualificado que realice las tareas de servicio utilizando únicamente piezas de repuesto idénticas. Esto garantizará el mantenimiento de la seguridad del producto.
- Consulte siempre las instrucciones de la guía del propietario para obtener detalles importantes si la máquina debe almacenarse durante un periodo prolongado.
- Mantenga o sustituya las etiquetas de seguridad y de instrucciones, según sea necesario.
- Haga funcionar la máquina unos minutos después de quitar nieve para evitar la congelación del colector/rotor

2.2 QUITANIEVES CON DOBLE AISLAMIENTO

- El doble aislamiento elimina la necesidad del cable de alimentación trifilar con toma de tierra y el sistema de suministro de alimentación con toma de tierra habitual. En cualquier lugar en que haya corriente eléctrica en la máquina, hay dos juegos completos de aislamiento para proteger al usuario. Todas las piezas metálicas expuestas están aisladas de los componentes metálicos internos del motor mediante aislamiento protector.

i IMPORTANTE

Las tareas de servicio en una máquina con doble aislamiento exigen un cuidado extremo y un buen conocimiento del sistema, y únicamente debe realizarlas un técnico de servicio cualificado. Si son necesarias reparaciones, llame al centro de servicio. Utilice siempre piezas de repuesto originales de fábrica cuando realice tareas de servicio.

▲ AVISO

¡ES SU RESPONSABILIDAD! Limite el uso de esta máquina a personas que hayan leído y entendido las advertencias e instrucciones que aparecen en este manual y en la máquina, y que las seguirán.

3 SISTEMA ELÉCTRICO

▲ AVISO

El sistema de doble aislamiento se ha diseñado para proteger al usuario de descargas que resulten de una ruptura en el aislamiento interno de la herramienta. Respete todas las precauciones de seguridad habituales para evitar descargas eléctricas.

Conexión eléctrica

Este producto tiene un motor eléctrico fabricado con precisión. Debe conectarse a una fuente de alimentación de 120 V, únicamente CA (corriente doméstica habitual), 60 Hz. No utilice este producto con corriente continua (CC). Una caída de tensión considerable provocará una pérdida de potencia y el motor se sobrecalentará. Si el producto no funciona cuando está enchufado a una toma, haga una doble comprobación de la fuente de alimentación.

Cables alargadores

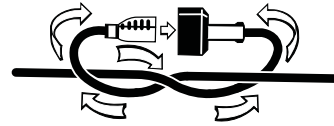
Cuando utilice una herramienta eléctrica a una distancia considerable de una fuente de alimentación, asegúrese de utilizar un cable alargador que tenga la capacidad de manejar la corriente que utilizará el producto. Un cable de tamaño insuficiente producirá una caída en la tensión de la línea, lo que a su vez generará sobrecalentamiento y pérdida de energía. Utilice el gráfico para determinar el tamaño mínimo de cable necesario en un cable alargador. Únicamente deben utilizarse cables redondos revestidos con certificación de Underwriter's Laboratories (UL).

Cuando trabaje en el exterior con un producto, utilice un cable alargador que se haya diseñado para uso en exterior. Este tipo de cable está designado "W-A" o "W" en el revestimiento del cable.

Antes de utilizar cualquier cable alargador, inspeccione si hay hilos sueltos o expuestos y si el aislamiento está cortado o desgastado.

Puede encontrar un cable alargador adecuado a través de los centros de servicio autorizados.

Es posible atar el cable alargador y el cable de alimentación en un nudo para evitar que se desconecten durante el uso. Haga el nudo como se muestra en la figura, posteriormente conecte el extremo del enchufe del cable de alimentación en el extremo del receptáculo del cable alargador. Este método también puede utilizarse para atar dos cables alargadores.



Amperaje (en la placa)							
	0 - 2,0	2,1 - 3,4	3,0 - 3,5	5,1 - 7,0	7,1 - 12,0	12,1 - 16,0	
Longitud de cable	Tamaño de cable (A.W.G.)						
	25'	16	16	16	16	14	14
	50'	16	16	16	14	14	12
	100'	16	16	14	12	12	-
Usado en calibre 12 - circuito de 20 A							
AWG = American Wire Gauge							

Mantenga el cable alargador alejado de la superficie de trabajo. Coloque el cable de manera que no quede atrapado en madera, herramientas u otras obstrucciones mientras trabaja con una herramienta eléctrica. De no hacerlo podrían producirse lesiones personales graves.

Compruebe los cables alargadores antes de cada uso. En caso de daños sustituya inmediatamente. Nunca utilice el producto con un cable dañado, ya que si toca la zona dañada podría producirse una descarga eléctrica con las consiguientes lesiones graves.

4 SÍMBOLOS EN EL PRODUCTO

En esta herramienta pueden utilizarse algunos de los siguientes símbolos. Le rogamos que los estudie y aprenda su significado. La interpretación correcta de estos símbolos le permitirá manejar la herramienta mejor y de manera más segura.

Símbolo	Explicación
	Corriente alterna
	Precauciones que afectan a su seguridad.
	Debe leer y entender todas las instrucciones antes de manejar el producto, así como seguir todas las advertencias e instrucciones de seguridad.

Símbolo	Explicación
	Los objetos proyectados pueden rebotar y provocar lesiones personales o daños materiales. Lleve indumentaria de protección y botas.
	Mantenga los pies alejados de las aberturas mientras el producto esté funcionando.
	Mantenga las manos alejadas de la zona de descarga.
	Detenga el motor y desenchufe el producto antes de dejarlo.
	Lleve protección ocular y auditiva.
	No utilice un cable eléctrico dañado.

5 NIVELES DE RIESGO

Las siguientes indicaciones y significados tienen como fin explicar los niveles de riesgo asociados a este producto.

SÍMBOLO	INDICACIÓN	SIGNIFICADO
	PELIGRO	Indica una situación de peligro inminente que, de no evitarse, provocará lesiones graves o incluso la muerte.
	ADVERTENCIA	Indica una situación de peligro potencial que, de no evitarse, podría provocar lesiones graves o incluso la muerte.
	PRECAUCIÓN	Indica una situación de peligro potencial que, de no evitarse, puede provocar lesiones leves o moderadas.
	PRECAUCIÓN	(Sin símbolo de alerta sobre seguridad) Indica una situación que puede provocar daños materiales.

6 INSTALACIÓN

▲ AVISO

No cambie ni utilice accesorios que no sean los recomendados por el fabricante.

▲ AVISO

No conecte la fuente de alimentación hasta que haya montado todas las piezas.

6.1 DESEMBALAJE DE LA MÁQUINA

▲ AVISO

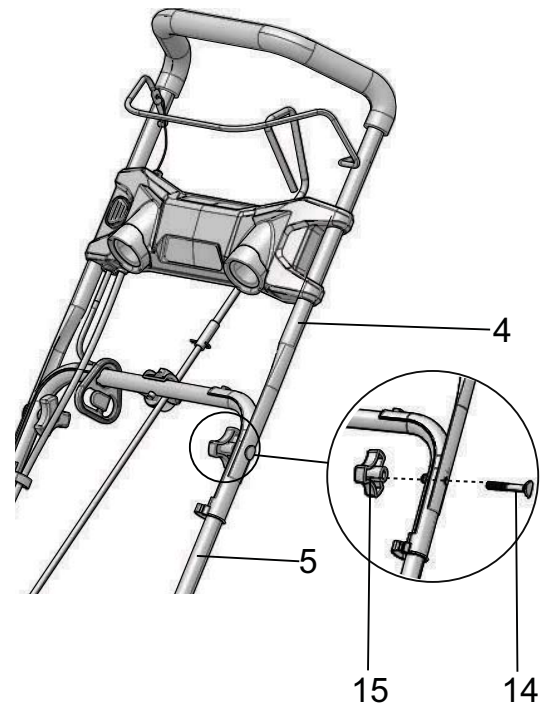
Asegúrese de montar correctamente la máquina antes del uso.

▲ AVISO

- Si las piezas de la máquina presentan daños, no utilice la máquina.
- Si no tiene todas las piezas, no utilice la máquina.
- Si faltan piezas o hay piezas dañadas, contacte con el centro de servicio.

1. Abra el embalaje.
2. Lea la documentación que se encuentra en la caja.
3. Retire todas las piezas sin montar de la caja.
4. Retire la máquina de la caja.
5. Deseche la caja y el embalaje de conformidad con los reglamentos locales.

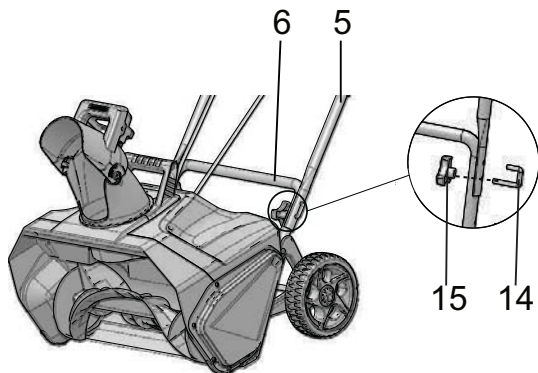
6.2 INSTALACIÓN DEL ASA SUPERIOR



1. Alinee los orificios del asa intermedia (5) y el asa superior (4).
2. Inserte el perno (14) a través del asa intermedia (5) y el asa superior (4).
3. Apriete el mando del asa (15) en el perno (14).

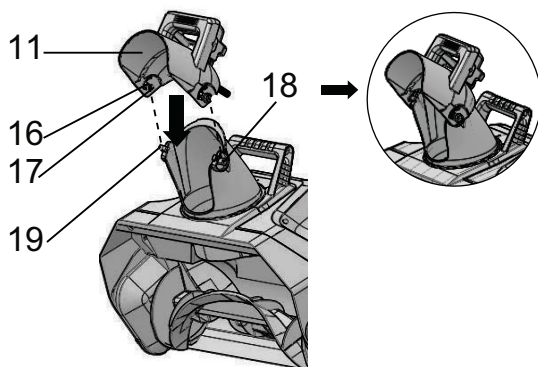
4. Realice la misma operación en el otro lado.

6.3 INSTALACIÓN DEL ASA INTERMEDIA



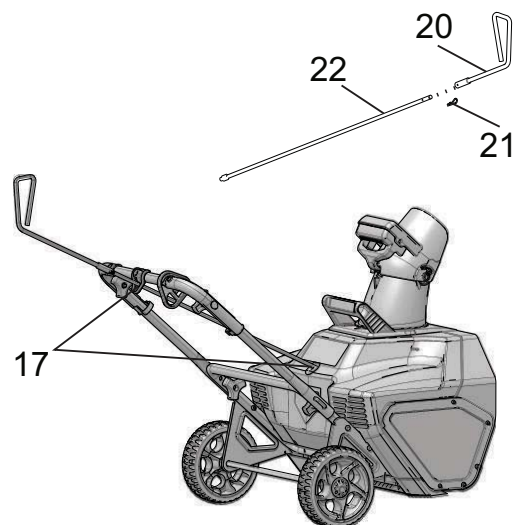
1. Alinee los orificios del asa intermedia (5) y el asa inferior (6).
2. Ponga los pernos (14) a través del asa intermedia (5) y el asa inferior (6).
3. Apriete el mando del asa (15) en el perno (14).
4. Repita para el lado izquierdo/derecho.

6.4 INSTALACIÓN DEL DEFLECTOR DEL CONDUCTO



1. Alinee las pestañas (18) en las ranuras (16) primero en un lado.
2. Una vez que haya acoplado una pestaña en una ranura, empuje hasta que escuche un clic. Repita en el otro lado.
3. Introduzca el deflector del conducto (11).
4. Asegúrese de que las pestañas (18) encajen en las ranuras (16) a ambos lados.
5. Asegúrese de que los postes (19) encajen en los orificios (17) a ambos lados.

6.5 INSTALACIÓN DE LA VARILLA DE CONTROL DEL CONDUCTO



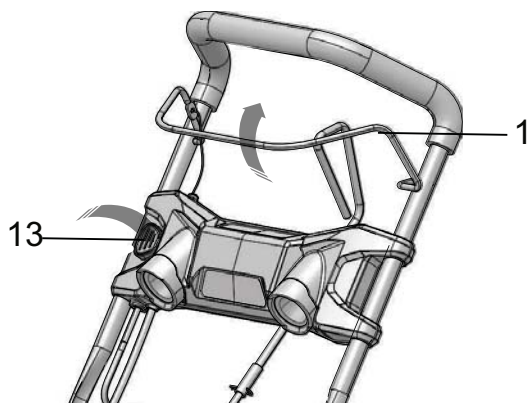
1. Alinee los orificios (17) en la varilla de control del conducto superior (20) y la varilla de control del conducto inferior (22).
2. Introduzca el pasador de enganche (21) por los orificios (17).
3. Alinee las flechas en el conducto de descarga y la plataforma del quitanieves. Asegúrese de que el conducto de descarga esté orientado hacia delante.
4. Coloque el extremo de la varilla de control del conducto (3) en línea recta a través del orificio (17) en el soporte. Mantenga el asa de agarre hacia abajo.
5. Introduzca la varilla de control del conducto (3) en el orificio (17) detrás de la plataforma.
6. Gire el asa de agarre hacia la izquierda y la derecha para asegurarse de que el conducto de descarga se mueva en la misma dirección.

7 FUNCIONAMIENTO

▲ AVISO

Lleve protección ocular durante el funcionamiento.

7.1 PUESTA EN MARCHA DE LA MÁQUINA



1. Mientras mantiene presionado el botón del interruptor de seguridad (13), tire de la palanca de seguridad (1) para arrancar la máquina.

i NOTA

Baje el rascador al suelo para quitar la nieve.

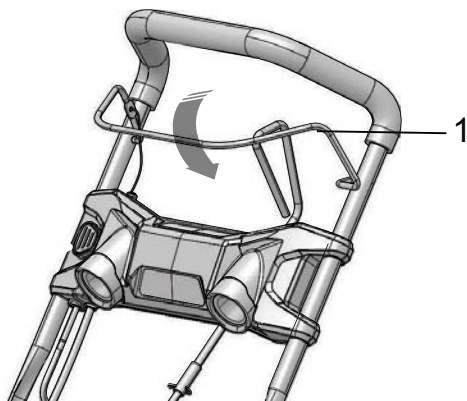
▲ AVISO

Mantenga a los transeúntes a una distancia segura de la máquina.

▲ AVISO

Examine la superficie de trabajo. Retire todas las piedras, palos, alambres, huesos y otros residuos que puedan rebotar debido al rotor giratorio.

7.2 DETENCIÓN DE LA MÁQUINA



1. Suelte la palanca de seguridad (1) para detener la máquina.

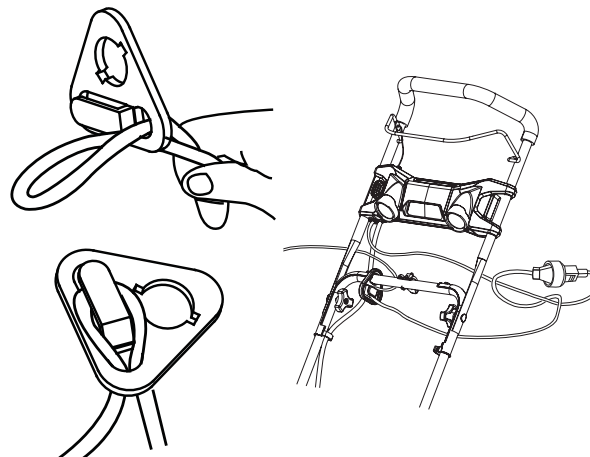
▲ AVISO

Espere hasta que el rotor se detenga por completo antes de volver a arrancar la máquina. No apague y encienda la máquina rápidamente.

▲ AVISO

Desenchufe tras finalizar el trabajo.

7.3 USO DE LA SUJECIÓN DEL CABLE

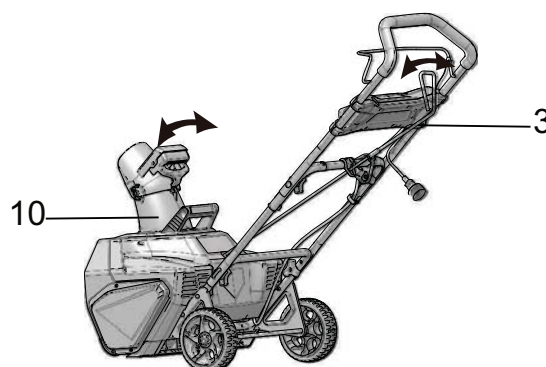


i NOTA

No enchufe el cable alargador en la toma hasta que se haya conectado a la retención del cable y se haya enchufado en la máquina.

1. Pliegue el cable alargador para formar un bucle apretado cerca de la retención.
2. Introduzca el bucle a través del orificio inferior de la retención.
3. Mueva el bucle sobre la pinza de retención y tire hasta que el cable se fije.

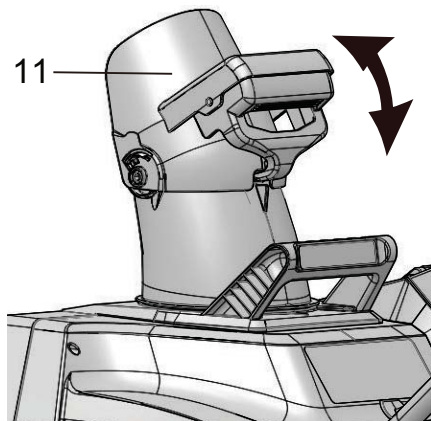
7.4 AJUSTE DEL CONDUCTO DE DESCARGA



Puede ajustar el conducto de descarga 180° para cambiar la dirección de la nieve.

1. Gire el asa de agarre (3) hacia la izquierda para mover el conducto de descarga (10) a la izquierda.
2. Gire el asa de agarre (3) hacia la derecha para mover el conducto de descarga (10) a la derecha.

7.5 AJUSTE DEL DEFLECTOR DEL CONDUCTO



Puede ajustar el deflector del conducto hacia arriba y abajo para cambiar la distancia de lanzamiento de la nieve.

▲ AVISO

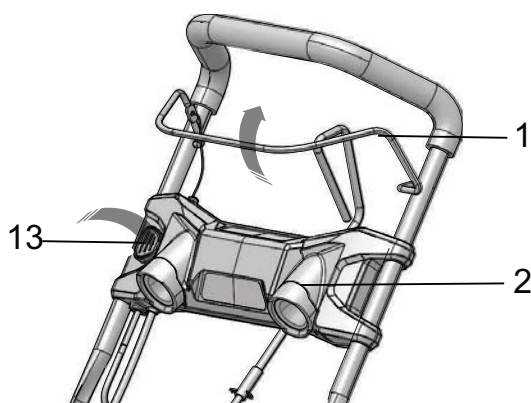
Suelte el interruptor de seguridad antes de ajustar el deflector del conducto.

▲ AVISO

No empuje el deflector tan hacia delante que haya un hueco entre el deflector y el conducto.

1. Presione y mantenga presionado el gatillo en el deflector del conducto.
2. Mueva el deflector del conducto (11) hacia arriba para aumentar la distancia de la nieve.
3. Mueva el deflector del conducto (11) hacia abajo para disminuir la distancia de la nieve.

7.6 LUCES DELANTERAS LED



Encendido de las luces delanteras:

1. Pulse y mantenga pulsado el botón del interruptor de seguridad (13).
2. Tire del interruptor de seguridad (1) en la dirección del manillar para encender las luces delanteras (2).

Apagado de las luces delanteras:

3. Suelte el interruptor de seguridad (1).

7.7 CONSEJOS DE FUNCIONAMIENTO

- Si es posible, quite la nieve en la dirección del viento.
- En vientos fuertes, baje el deflector del conducto para dirigir la nieve al suelo.
- Cuando finalice el trabajo, deje que la máquina funcione durante un tiempo para evitar la formación de hielo en el conducto de descarga.
- Si la nieve es más profunda de 8" (20 cm), disminuya la velocidad y deje que la máquina funcione a su propio ritmo.
- No utilice el rascador para quitar nieve compactada y hielo.

8 MANTENIMIENTO

▲ AVISO

Desconecte el cable alargador antes del mantenimiento.

▲ PRECAUCIÓN

Utilice únicamente piezas de repuesto aprobadas.

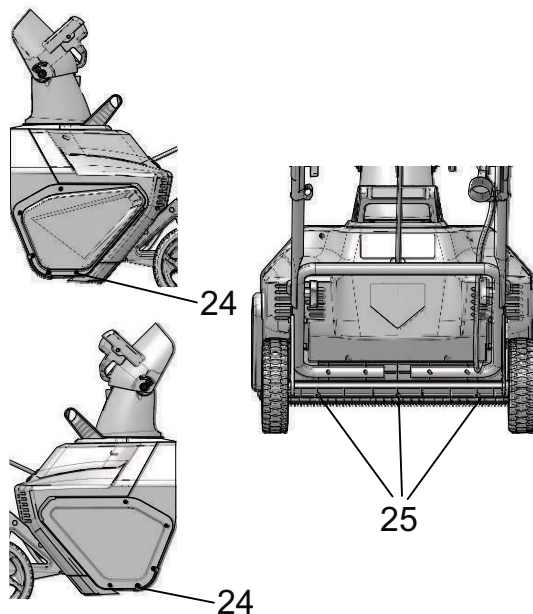
▲ PRECAUCIÓN

No utilice disolventes o detergentes fuertes en la carcasa o los componentes de plástico.

8.1 MANTENIMIENTO GENERAL

- Antes de cada uso, examine la máquina para comprobar si hay piezas dañadas, ausentes o sueltas como tornillos, tuercas, pernos y tapas.
- Apriete todos los elementos de fijación y las tapas correctamente.
- Limpie los restos de nieve de la máquina con un cepillo.

8.2 SUSTITUCIÓN DEL RASCADOR



▲ AVISO

Utilice únicamente rascadores de repuesto aprobados.

▲ AVISO

Lleve guantes gruesos o enrolle un trapo alrededor del rotor cuando lo toque.

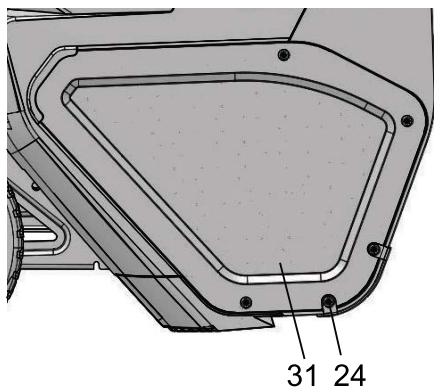
1. Retire los tornillos (24) de cada placa lateral.
2. Retire y deseche el rascador usado.
3. Instale el rascador nuevo.
4. Coloque el tornillo de montaje (25) y los espaciadores y apriételes.

8.3 SUSTITUCIÓN DEL ROTOR

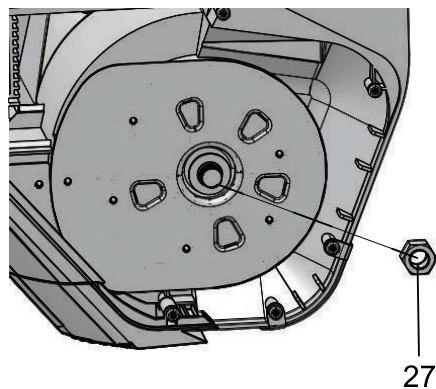
▲ AVISO

Utilice únicamente rascadores de repuesto aprobados.

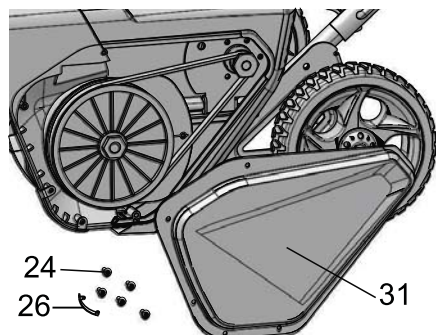
1. Retire los 5 tornillos (24) y la almohadilla de desgaste lateral (26) que fijan la cubierta lateral derecha (31).



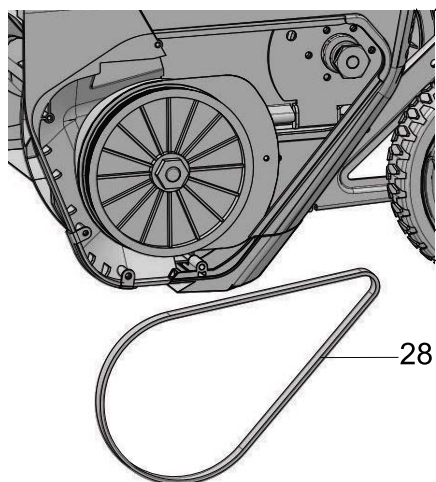
2. Retire la tuerca (27).



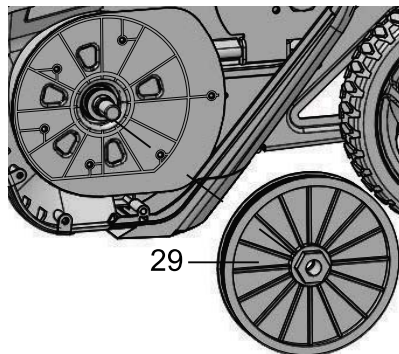
3. Retire los 5 tornillos (24) y la almohadilla de desgaste lateral (26) que fijan la cubierta del lado izquierdo (31).



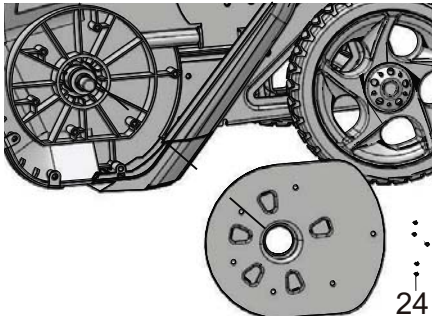
4. Retire la correa (28).



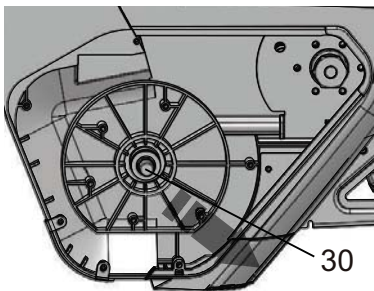
5. Con una llave de tubo, retire la polea grande (29).



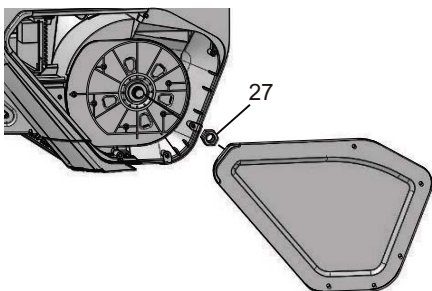
6. Retire los tornillos (24) que fijan la placa lateral izquierda.



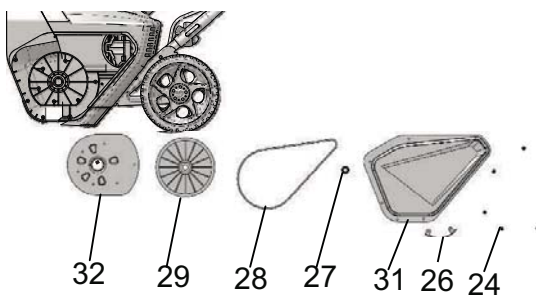
7. Tire del eje (30) y retire el rotor usado; instale el nuevo rotor.



8. Reinstale la tuerca (27) y la cubierta lateral derecha.



9. Vuelva a instalar la placa lateral izquierda (32), la polea grande (29), la correa (28) y la cubierta lateral izquierda (31).



8.4 ALMACENAMIENTO DE LA MÁQUINA

- Limpie la máquina antes del almacenamiento.
- Asegúrese de que el motor no esté caliente cuando almacene la máquina.
- Asegúrese de que la máquina no tenga piezas sueltas o dañadas. Si es necesario, siga estos pasos/estas instrucciones:
 - Sustituya las piezas dañadas.
 - Apriete los pernos.


- Hable con una persona de un centro de servicio aprobado.
- Almacene la máquina en una zona seca.
- Asegúrese de que los niños no puedan acercarse a la máquina.

9 SOLUCIÓN DE PROBLEMAS

Problema	Posible causa	Solución
El asa no está en posición.	Los pernos no se han acoplado correctamente.	Ajuste la altura del asa y asegúrese de que los mandos y los pernos se hayan alineado correctamente.
La máquina no se pone en marcha.	El interruptor está defectuoso.	El interruptor debe ser sustituido por un centro de servicio autorizado.
	El cable alargador no está conectado al enchufe.	Conecte el enchufe de la máquina al cable alargador.
	El cable alargador no se ha conectado a la fuente de alimentación.	Enchufe el cable alargador a una toma de 120 V CA, 60 Hz con corriente.
El motor está encendido, pero el rotor no gira.	La correa ha sufrido daños.	Sustituya la correa.
Queda una capa fina de nieve.	El rascador ha sufrido daños.	Sustituya el rascador.

* Si no puede encontrar la solución a estos problemas, vaya al centro de servicio.

10 DATOS TÉCNICOS

Tensión	120 V, 60 Hz, 13 A
Velocidad sin carga	2500 RPM
Anchura de trabajo	20 in. (50.8 cm)
Profundidad de retirada	10 in. (25.4 cm)
Peso	35.27 lbs (16 kg)
Estructura con doble aislamiento	

11 GARANTÍA LIMITADA



Por la presente Greenworks garantiza este producto, al comprador original con el comprobante de compra, durante un periodo de tres (3) años frente a defectos en materiales, piezas o mano de obra. A su entera discreción Greenworks reparará o sustituirá cualquiera y todas las piezas que resulten ser defectuosas, con un uso normal, sin coste alguno para el cliente. Esta garantía es válida únicamente para unidades que se hayan utilizado para uso personal que no han sido arrendadas o alquiladas para uso industrial/comercial y cuyo mantenimiento se ha realizado de acuerdo con las instrucciones del manual del propietario suministrado con el producto nuevo.

ARTÍCULOS NO CUBIERTOS POR LA GARANTÍA:

1. Cualquier pieza que no funcione debido a mal uso, uso comercial, abuso, negligencia, accidente, mantenimiento inadecuado o alteración; o
2. La unidad, si no ha sido utilizada o mantenida de acuerdo con el manual del propietario; o
3. Desgaste normal, excepto en lo indicado a continuación;
4. Artículos de mantenimiento de rutina tales como lubricantes, afilado de cuchillas;
5. Deterioro normal del acabado exterior debido al uso o la exposición.

LÍNEA DE ASISTENCIA TELEFÓNICA:

Puede contactar con el servicio de garantía llamando a nuestra línea de asistencia telefónica gratuita, a 1-888-909-6757 .

COSTES DE TRANSPORTE:

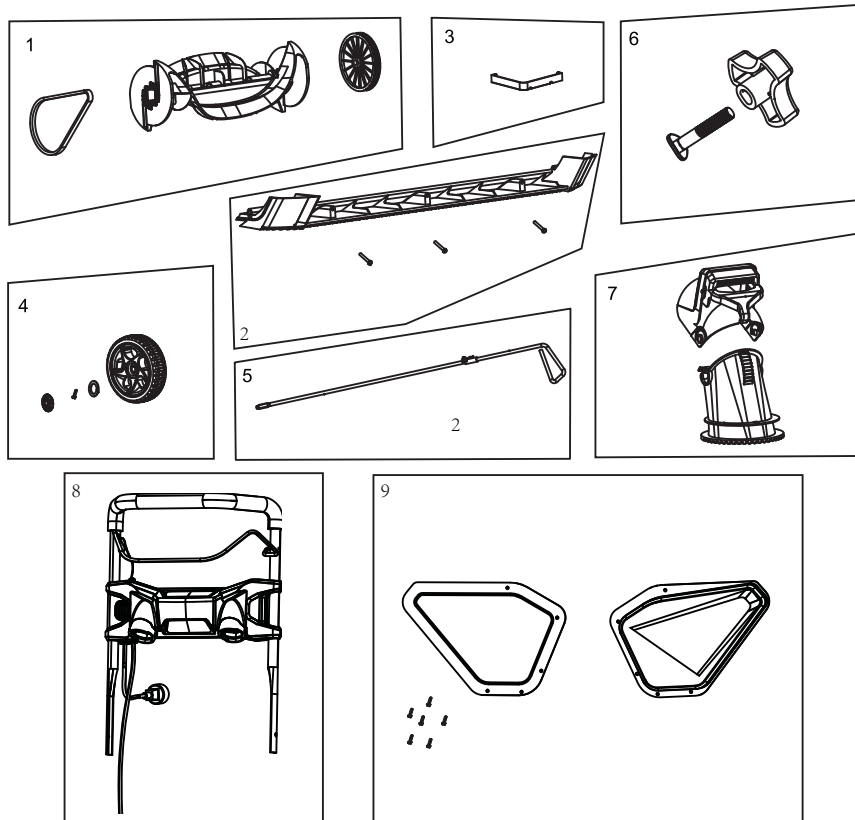
Los costes de transporte por el desplazamiento de cualquier unidad o accesorio de equipos eléctricos son responsabilidad del comprador. Es responsabilidad del comprador pagar los costes de transporte de cualquier pieza enviada para su sustitución bajo esta garantía, a menos que dicha devolución sea solicitada por escrito por Greenworks.

Dirección en EE.UU.: **Dirección en Canadá:**

Greenworks Tools	Greenworks Tools Canada Inc.
P.O. Box 1238	P.O. Box 93095, Newmarket, Ontario
Mooresville, NC 28115	L3Y 8K3

12 VISTA DESPIEZADA

ES



Nº	Nº pieza	Cant.	Descripción
1	R0200164-00	1	Conjunto del rotor
2	R0200761-00	1	Kit de rascadores
3	R0200283-00	1	Barra de respaldo
4	R0200756-00	2	Conjunto de las ruedas
5	R0200166-00	1	Conjunto de varilla de control
6	R0200757-00	2	Conjunto de cierre de leva
7	R0200758-00	1	Conjunto de deflector del conducto
8	R0202002-00	1	Conjunto de asa superior
9	R0202001-00	2	Conjunto de cubierta lateral