

说明书技术要求:

1. 材质要求: 60g双胶纸;
2. 52p, 说明书为单色印刷;
3. 骑马钉装订, 裁切均匀、无连页;
4. 说明书可封样、要求无色差、无污点。
5. 料件需符合格力博HSF文件(编号: GLB-CGR-146) 里关于环保和有害物质的具体要求。

版本号

B

描 复

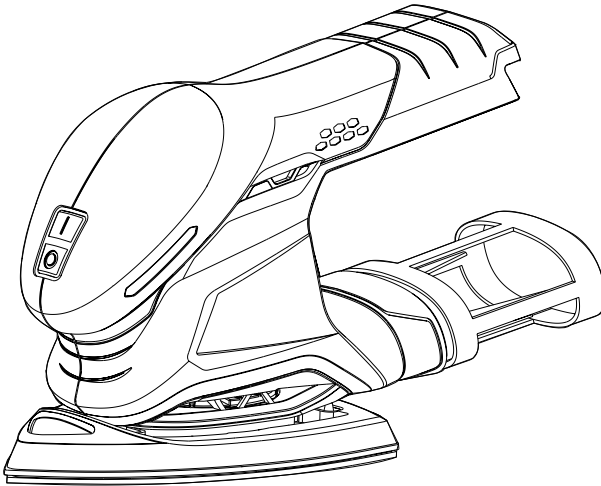
日期

					说明书				常州格力博集团	
标记	处数	更改文件号	签名	日期	阶段标记	视角标记	重量	比例	3100102	
设计	蒋思聪	标准化	王小妮		S	A	B			
校对	张君	审定							ERP号	
审核	周艳	批准	李海平							
工艺		日期	2020.07	共 1 张		第 1 张				

greenworks®

24V CORDLESS CORNER FINISHING SANDER

CS24B00



OWNER'S MANUAL

TOLL-FREE HELPLINE: 1-888-90WORKS (888.909.6757)

www.GreenWorksTools.com



Read all safety rules and instructions carefully before operating this tool.

CONTENTS

Contents 2
Product specifications..... 2
Safety information..... 3
Symbols 6
Know your sander 7
Assembly 8
Operation..... 9
Maintenance 13
Warranty 14
Exploded View 15
Parts List..... 16

PRODUCT SPECIFICATIONS

Orbits Per Minute (OPM)..... 11,000 min-1(No-Load Speed)
Speeds..... Single Speed
No-Load Orbital Stroke Rate 22,000 min-1
Orbit Diameter 0.03ins
Sanding Plate Dimension..... 3.9 x 5.8ins
Weight (without battery and charger)..... 1.65lbs

* For use with 24V battery (LB24A020 / 29842 / 29852) only.
* For use with 24V charger (2903102) and 24V-48V charger (CH2448A010) only.

SAFETY INFORMATION

WARNING

Read all safety warnings and all instructions. Failure to follow the warnings and instructions may result in electric shock, fire and/or serious injury.

- **Save all warnings and instructions for future reference.** The term "power tool" in the warnings refers to your mainsoperated (corded) power tool or battery-operated (cordless) power tool.

1) WORK AREA SAFETY

- **Keep work area clean and well lit.** Cluttered or dark areas invite accidents.
- **Do not operate power tools in explosive atmospheres, such as in the presence of flammable liquids, gases or dust.** Power tools create sparks which may ignite the dust or fumes.
- **Keep children and bystanders away while operating a power tool.** Distractions can cause you to lose control.

2) ELECTRICAL SAFETY

- **Power tool plugs must match the outlet. Never modify the plug in any way. Do not use any adapter plugs with earthed (grounded) power tools.** Unmodified plugs and matching outlets will reduce risk of electric shock.
- **Avoid body contact with earthed or grounded surfaces such as pipes, radiators, ranges and refrigerators.** There is an increased risk of electric shock if your body is earthed or grounded.
- **Do not expose power tools to rain or wet conditions.** Water entering a power tool will increase the risk of electric shock.
- **Do not abuse the cord. Never use the cord for carrying, pulling or unplugging the power tool. Keep cord away from heat, oil, sharp edges or moving parts.** Damaged or entangled cords increase the risk of electric shock.
- **When operating a power tool outdoors, use an extension cord suitable for outdoor use.** Use of a cord suitable for outdoor use reduces the risk of electric shock.
- **If operating a power tool in a damp location is unavoidable, use a ground fault circuit interrupter (GFCI) protected supply.** Use of a GFCI reduces the risk of electric shock.

NOTE : The term "residual current device (RCD)" may be replaced by the term "ground fault circuit interrupter (GFCI)" or "earth leakage circuit breaker (ELCB)".

3) PERSONAL SAFETY

- **Stay alert, watch what you are doing and use common sense when operating a power tool. Do not use a power tool while you are tired or under the influence of drugs, alcohol or medication.** A moment of inattention while operating power tools may result in serious personal injury.
- **Use personal protective equipment. Always wear eye protection.** Protective equipment such as dust mask, nonskid safety shoes, hard hat, or hearing protection used for appropriate conditions will reduce personal injuries.
- **Prevent unintentional starting. Ensure the switch is in the off position before connecting to power source and/ or battery pack, picking up or carrying the tool.** Carrying power tools with your finger on the switch or energizing power tools that have the switch on invites accidents.
- **Remove any adjusting key or wrench before turning the power tool on.** A wrench or a key left attached to a rotating part of the power tool may result in personal injury.
- **Do not overreach. Keep proper footing and balance at all times.** This enables better control of the power tool in unexpected situations.
- **Dress properly. Do not wear loose clothing or jewelry. Keep your hair, clothing and gloves away from moving parts.** Loose clothes, jewelry or long hair can be caught in moving parts.
- **If devices are provided for the connection of dust extraction and collection facilities, ensure these are connected and properly used.** Use of dust collection can reduce dust-related hazards.

SAFETY INFORMATION

4) POWER TOOL USE AND CARE

- **Do not force the power tool. Use the correct power tool for your application.** *The correct power tool will do the job better and safer at the rate for which it was designed.*
- **Do not use the power tool if the switch does not turn it on and off.** *Any power tool that cannot be controlled with the switch is dangerous and must be repaired.*
- **Disconnect the plug from the power source and/or the battery pack from the power tool before making any adjustments, changing accessories, or storing power tools.** *Such preventive safety measures reduce the risk of starting the power tool accidentally.*
- **Store idle power tools out of the reach of children and do not allow persons unfamiliar with the power tool or these instructions to operate the power tool.** *Power tools are dangerous in the hands of untrained users.*
- **Maintain power tools. Check for misalignment or binding of moving parts, breakage of parts and any other condition that may affect the power tool's operation. If damaged, have the power tool repaired before use.** *Many accidents are caused by poorly maintained power tools.*
- **Keep cutting tools sharp and clean.** *Properly maintained cutting tools with sharp cutting edges are less likely to bind and are easier to control.*
- **Use the power tool, accessories and tool bits, etc. in accordance with these instructions, taking into account the working conditions and the work to be performed.** *Use of the power tool for operations different from those intended could result in a hazardous situation.*

5) SERVICE

- **Have your power tool serviced by a qualified repair person using only identical replacement parts.** *This will ensure that the safety of the power tool is maintained.*
- **When servicing a power tool, use only identical replacement parts.** *Follow instructions in the Maintenance section of this manual. Use of unauthorized parts or failure to follow Maintenance instructions may create a risk of shock or injury.*
- **Store idle power tool indoors.** *When not in use, power tool should be stored in an indoor dry and look-up place, out of reach of children.*
- **Always remove battery pack from your tool when you are assembling parts, making adjustments, cleaning, or when not in use.** *Removing battery pack will prevent accidental starting that could cause serious personal injury.*

6) BATTERY TOOL USE AND CARE

- **Recharge only with the charger specified by the manufacturer.** *A charger that is suitable for one type of battery pack may create a risk of fire when used with another battery pack.*
- **Use power tools only with specifically designated battery packs.** *Use of any other battery packs may create a risk of injury and fire.*
- **When battery pack is not in use, keep it away from other metal objects, like paper clips, coins, keys, nails, screws or other small metal objects, that can make a connection from one terminal to another.** *Shorting the battery terminal together may cause burns or fires.*
- **Under abusive conditions, liquid may be ejected from the battery; avoid contact. If contact accidentally occurs, flush with water. If liquid contacts eyes, additionally seek medical help.** *Liquid ejected from the battery may cause irritation or burns.*
- **When using in direct sunshine, keep out of water and don't expose to rain.**
- **Store indoors, and do not expose to rain or water, avoid direct sunshine.**

7) SPECIFIC SAFETY RULES

- **Hold power tool by insulated gripping surfaces, when performing an operation where the cutting accessory may contact hidden wiring.** *Cutting accessory contacting a "live" wire may make exposed metal parts of the power tool "live" and could give the operator an electric shock.*
- **Know your power tool. Read operator's manual carefully. Learn its applications and limitations, as well**

SAFETY INFORMATION

as the specific potential hazards related to this power tool. Following this rule will reduce the risk of electric shock, fire, or serious injury.

- **Always wear eye protection with side shields marked to comply with ANSI Z87.1.** Following this rule will reduce the risk of serious personal injury.
- **Protect your lungs. Wear a face or dust mask if the operation is dusty.** Following this rule will reduce the risk of serious personal injury.
- **Protect your hearing. Wear hearing protection during extended periods of operation.** Following this rule will reduce the risk of serious personal injury.
- **Battery tools do not have to be plugged into an electrical outlet; therefore, they are always in operating condition.** Be aware of possible hazards when not using your battery tool or when changing accessories. Following this rule will reduce the risk of electric shock, fire, or serious personal injury.
- **Do not place battery tools or their batteries near fire or heat.** This will reduce the risk of explosion and possibly injury.
- **Do not crush, drop or damage battery pack.** Do not use a battery pack or charger that has been dropped or received a sharp blow. A damaged battery is subject to explosion. Properly dispose of a dropped or damaged battery immediately.
- **Batteries can explode in the presence of a source of ignition, such as a pilot light.** To reduce the risk of serious personal injury, never use any cordless product in the presence of open flame. An exploded battery can propel debris and chemicals. If exposed, flush with water immediately.
- **Do not charge battery tool in a damp or wet location.** Following this rule will reduce the risk of electric shock.
- **For best results, your battery tool should be charged in a location where the temperature is more than 10° C / 50° F, but less than 37° C / 100° F.** To reduce the risk of serious personal injury, do not store outside or in vehicles.
- **Under extreme usage or temperature conditions, battery leakage may occur.** If liquid comes in contact with your skin, wash immediately with soap and water. If liquid gets into your eyes, flush them with clean water for at least 10 minutes, then seek immediate medical attention. Following this rule will reduce the risk of serious personal injury.
- **Save these instructions.** Refer to them frequently and use them to instruct others who may use this tool. If you loan someone this tool, loan them these instructions also to prevent misuse of the product and possible injury.

CALIFORNIA PROPOSITION 65

WARNING

This product and some dust created by power sanding, sawing, grinding, drilling, and other construction activities may contain chemicals, including lead, known to the State of California to cause cancer, birth defects, or other reproductive harm. Wash hands after handling.




Some examples of these chemicals are:

- lead from lead-based paints,
- crystalline silica from bricks and cement and other masonry products and,
- arsenic and chromium from chemically treated lumber.







Your risk from exposure to these chemicals varies, depending on how often you do this type of work. To reduce your exposure, work in a well-ventilated area and with approved safety equipment, such as a dust mask that is specially designed to filter out microscopic particles.

SYMBOLS

The following signal words and meanings are intended to explain the levels of risk associated with this product.

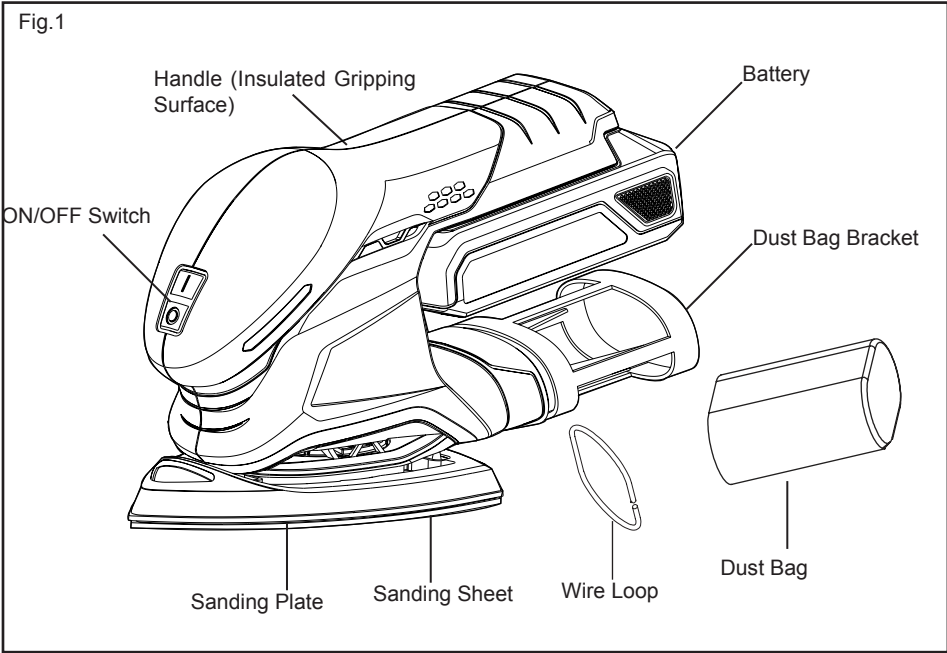
SYMBOL	SIGNAL	MEANING
	DANGER:	Indicates an imminently hazardous situation, which, if not avoided, will result in death or serious injury.
	WARNING:	Indicates a potentially hazardous situation, which, if not avoided, could result in death or serious injury.
	CAUTION:	Indicates a potentially hazardous situation, which, if not avoided, may result in minor or moderate injury.
	CAUTION:	(Without Safety Alert Symbol) Indicates a situation that may result in property damage.

Some of the following symbols may be used on this product. Please study them and learn their meaning. Proper interpretation of these symbols will allow you to operate the product better and safer.

SYMBOL	NAME	DESIGNATION/EXPLANATION
	Safety Alert	Precautions that involve your safety.
	Read The Operator's Manual	To reduce the risk of injury, user must read and understand operator's manual before using this product.
	Eye Protection	Always wear eye protection with side shields marked to comply with ANSI Z87.1.
	Ear Protection	Protect your hearing. Wear hearing protection during extended periods of operation.
	Wet Conditions Alert	Do not expose to rain or use in damp locations.
V	Volts	Voltage
min	Minutes	Time
 or DC	Direct Current	Type or a characteristic of current
/min or min ⁻¹	Per Minute	Revolutions, strokes, surface speed, orbits etc., per minute
n _o	No Load Speed	Rotational speed, at no load
RPM	Rotational speed	Rotational speed

KNOW YOUR SANDER

The safe use of this product requires an understanding of the information on the product and in this operator's manual as well as a knowledge of the project you are attempting. Before use of this product, familiarize yourself with all operating features and safety rules.



ASSEMBLY

UNPACKING

This product has been shipped completely assembled.

- Carefully remove the product and any accessories from the box. Make sure that all items listed in the packing list are included.
- Inspect the product carefully to make sure no breakage or damage occurred during shipping.
- Do not discard the packing material until you have carefully inspected and satisfactorily operated the product.

If any parts are damaged or missing, please call 1-888-90WORKS(888.909.6757) for assistance.

WARNING

Do not use this product if it is not completely assembled or if any parts appear to be missing or damaged. Use of a product that is not properly and completely assembled could result in serious personal injury.

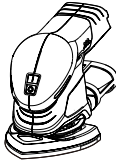
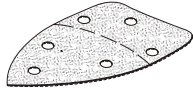
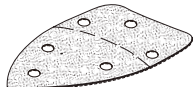

WARNING

If any parts are damaged or missing do not operate this product until the parts are replaced. Use of this product with damaged or missing parts could result in serious personal injury.

WARNING

Do not attempt to modify this product or create accessories not recommended for use with this product. Any such alteration or modification is misuse and could result in a hazardous leading to possible serious personal injury.

PACKING LIST

PART NAME	FIGURE	QTY
24V Cordless corner finishing Sander		1
125 Grit Disc		1
150 Grit Disc		1
Owner's Manual		1

OPERATION

⚠ WARNING

To prevent accidental starting that could cause serious personal injury, always remove the battery pack from the product when assembling parts.

⚠ WARNING

Do not allow familiarity with products to make you careless. Remember that a careless fraction of a second is sufficient to inflict serious injury.

⚠ WARNING

Always wear eye protection with side shields marked to comply with ANSI Z87.1. Failure to do so could result in objects being thrown into your eyes resulting in possible serious injury.

⚠ WARNING

Do not use any attachments or accessories not recommended by the manufacturer of this product. The use of attachments or accessories not recommended can result in serious personal injury.

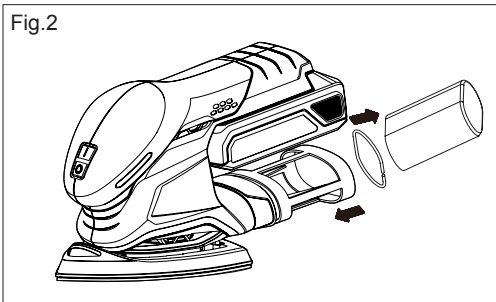
APPLICATIONS

You may use this product for the purposes listed below:

- Sanding on wood surfaces
- Removing rust from and sanding steel surfaces

FITTING THE DUST BAG

Fig.2



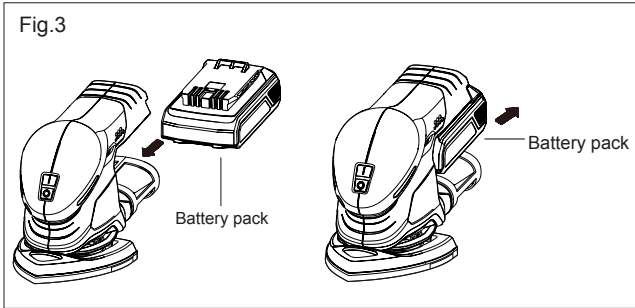
- Slip the dust bag onto the dust bag bracket.
- Fix the dust bag with a wire loop.
- To empty the dust bag, open it and carefully tap out the contents.

BATTERY PROTECTION FEATURES

Greenworks® lithium-ion batteries are designed with features that protect the lithium-ion cells and maximize battery life. If the tool stops during use, release the trigger to reset and resume operation. If the tool still does not work, the battery needs to be recharged.

OPERATION

TO INSTALL/REMOVE BATTERY PACK



To install:

- Insert the battery pack.
- Make sure the latches on each side of the battery pack snap in place and that battery pack is secured in the product before beginning operation.

To remove:

- Depress the latches on each side of the battery pack.

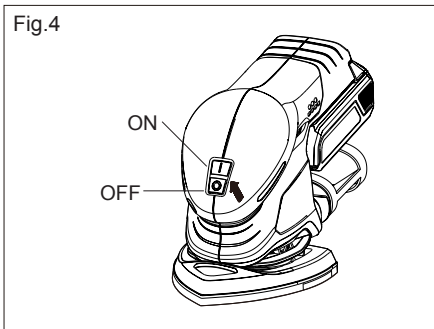
⚠ WARNING

Always remove battery pack from your tool when you are assembling parts, making adjustments, cleaning, or when not in use. Removing battery pack will prevent accidental starting that could cause serious personal injury.

⚠ WARNING

Battery products are always in operating condition. Therefore, the switch should always be locked when not in use or carrying at your side.

TURNING THE SANDER ON/OFF



- Install the battery pack.
- To turn the sander ON or OFF: push the ON/OFF switch in the direction shown.

SANDPAPER SELECTION

Selecting the correct size grit and type sandpaper is an extremely important step in achieving a high quality sanded finish. Aluminum oxide, silicon carbide, and other synthetic abrasives are best for

OPERATION

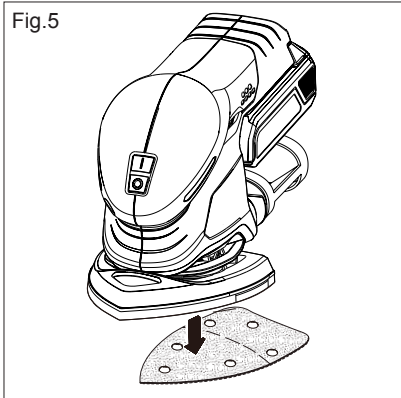
power sanding. Natural abrasives, such as flint and garnet, are too soft for economical use in power sanding.

In general, coarse grit will remove the most material and finer grit will produce the best finish in all sanding operations. The condition of the surface to be sanded will determine which grit will do the job. If the surface is rough, start with a coarse grit and sand until the surface is uniform. Medium grit may then be used to remove scratches left by the coarser grit and finer grit used for finishing of the surface. Always continue sanding with each grit until surface is uniform.

⚠ WARNING

Always remove the battery pack when attaching, changing, or rotating sanding sheets. Failure to do so could cause accidental starting, leading to serious personal injury.

ATTACHING SANDING SHEETS, SCRUBBING PADS AND POLISHING PADS

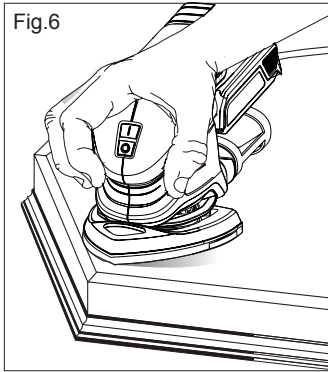


- Align the pointed tip and rounded edges of the sanding sheet or pad with the pointed tip and rounded edges of the hook-and-loop pad. Carefully press the fuzzy side of the sanding sheet against the pad as tightly as possible.

NOTE: Sanding sheets can be reused for the life of the sanding abrasive. It is recommended that you keep the sanding sheet backing pad clean to provide for best adhesion. Clean occasionally by brushing lightly with a small brush.

OPERATION

OPERATING THE SANDER



- Secure the workpiece to prevent it from moving under the sander.
- Place the sander on the workpiece so that all of the sanding sheet surface is in contact with the workpiece.
- Turn on the sander and move it slowly over the workpiece. Make successive passes in parallel lines, circles, or crosswise movements.
- Turn off the sander and wait until it comes to a complete stop before removing it from the workpiece.

⚠ WARNING

Unsecured workpieces could be thrown towards the operator, causing injury.

⚠ WARNING

Keep your head away from the sander and the sanding area. Your hair could be drawn into the sander causing serious injury.

⚠ WARNING

To avoid damaging the motor from overheating, be careful not to let your hand cover the air vents.

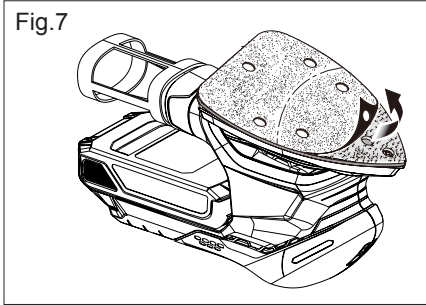
Do not force. The weight of the unit supplies adequate pressure, so let the sanding sheet and sander do the work. Applying additional pressure slows the motor, rapidly wears the sanding sheet and greatly reduces sander speed. Excessive pressure will overload the motor, causing possible damage from motor overheating, and can result in inferior work. Any finish or resin on wood may soften from the frictional heat. Do not allow sanding on one spot too long, as the sander's rapid action may remove too much material, making the surface uneven.

Extended periods of sanding may tend to overheat the motor. If this occurs, turn the sander off and wait until the sanding sheet comes to a complete stop, then remove it from workpiece. Remove your hand from the vent area, remove the sanding sheet, then with your hand removed from vent area, turn the sander on and run it free without a load to cool the motor.

For detail sanding such as corners and crevices, use the tip of the sanding pad with small back and forth motions.

MAITENANCE

CHANGING SANDING SHEETS AND PADS



To change sheets and pads, simply pull the used sheet off the base and attach the desired sheet by pressing the sheet or pad onto the base of the sander.

⚠ WARNING

When servicing, use only identical replacement parts. Use of any other parts could create a hazard or cause product damage.

⚠ WARNING

To avoid serious personal injury, always remove the battery pack from the product when cleaning or performing any maintenance.

GENERAL MAINTENANCE

Avoid using solvents when cleaning plastic parts. Most plastics are susceptible to damage from various types of commercial solvents and may be damaged by their use. Use clean cloths to remove dirt, dust, oil, grease, etc.

⚠ WARNING

Do not at any time let brake fluids, gasoline, petroleum-based products, penetrating oils, etc., come in contact with plastic parts. Chemicals can damage, weaken or destroy plastic which could result in serious personal injury.

BATTERY PACK REMOVAL AND PREPARATION FOR RECYCLING

⚠ WARNING

Upon removal, cover the battery pack's terminals with heavy-duty adhesive tape. Do not attempt to destroy or disassemble battery pack or remove any of its components. Lithium-ion and nickel-cadmium batteries must be recycled or disposed of properly. Also, never touch both terminals with metal objects and/or body parts as short circuit may result. Keep away from children. Failure to comply with these warnings could result in fire and/or serious injury.

WARRANTY



GREENWORKS® hereby warranties this product, to the original purchaser with proof of purchase, for a period of four (4) years against defects in materials, parts or workmanship. GREENWORKS®, at its own discretion will repair or replace any and all parts found to be defective, through normal use, free of charge to the customer. This warranty is valid only for units which have been used for personal use that have not been hired or rented for industrial/commercial use, and that have been maintained in accordance with the instructions in the owner's manual supplied with the product from new.

Battery carries a two (2) year warranty against defects in workmanship and materials. Batteries must be charged in accordance with the operator's manuals directions and regulations in order to be valid.

ITEMS NOT COVERED BY WARRANTY:

1. Any part that has become inoperative due to misuse, commercial use, abuse, neglect, accident, improper maintenance, or alteration; or
2. The unit, if it has not been operated and/or maintained in accordance with the owner's manual; or
3. Normal wear, except as noted below;
4. Routine maintenance items such as lubricants, blade sharpening;
5. Normal deterioration of the exterior finish due to use or exposure.

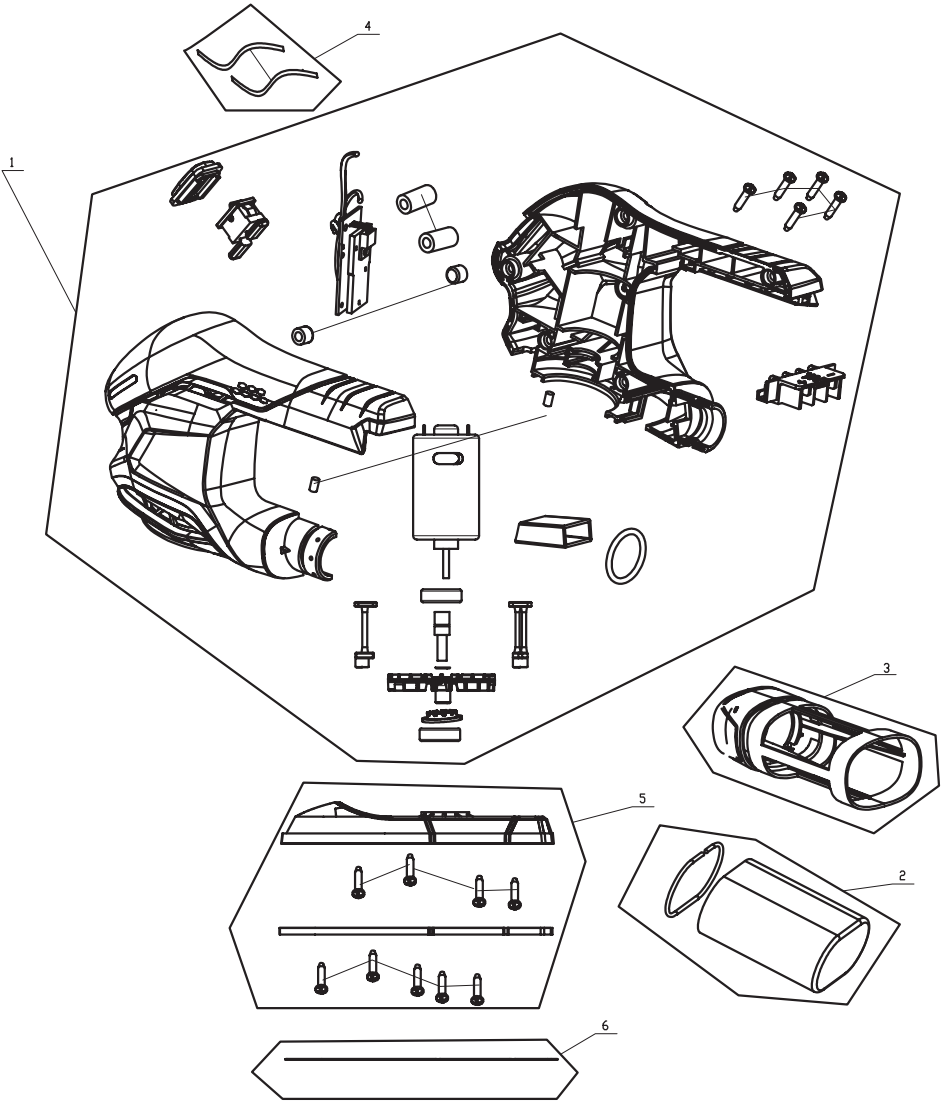
GREENWORKS® HELPLINE (1 888 90WORKS):

Warranty service is available by calling our toll-free helpline at 1-888-909-6757 (1-888-90WORKS).

TRANSPORTATION CHARGES:

Transportation charges for the movement of any power equipment unit or attachment are the responsibility of the purchaser. It is the purchaser's responsibility to pay transportation charges for any part submitted for replacement under this warranty unless such return is requested in writing by GREENWORKS®.

EXPLODED VIEW



PARTS LIST

ITEM NO.	DESCRIPTION	QTY.
1	Sander combination	1
2	Dust bag	1
3	Dust collecting bracket	1
4	Wire	1
5	Lower plate	1
6	Sandpaper	1



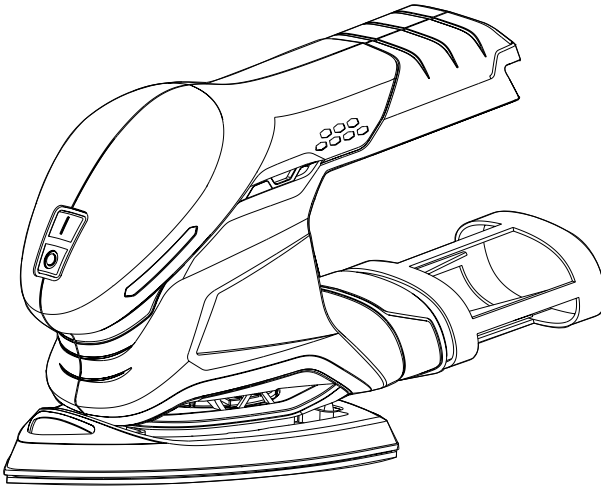
**Greenworks Tools
P.O. Box 1238
Mooreville, NC 28115**

TOLL-FREE HELPLINE: 1-888-90WORKS(888.909.6757)

greenworks®

PONCEUSE-FINISSEUSE D'ANGLE SANS
FIL 24 V

CS24B00



MANUEL D'UTILISATION

LIGNE D'ASSISTANCE SANS FRAIS: 1-888-90WORKS (888.909.6757)

www.GreenWorksTools.com



Avant d'utiliser le produit, veuillez lire et suivre toutes les consignes de sécurité et les instructions d'utilisation.

CONTENU

Contenu	2
Spécifications du produit	2
Avertissements de sécurité.....	3
Symboles	7
Apprenez à connaître votre ponceuse	8
Assemblage	9
Utilisation	10
Entretien	14
Garantie	15
Vue explosée	16
Liste des pièces	17

SPÉCIFICATIONS DU PRODUIT

Vitesse à vide.....	11000 min-1
Vitesse.....	Une seule vitesse
Amplitude orbitale à vide	22000 min-1
Diamètre d'orbite	0.8mm
Dimensions de la plaque de ponçage	101*148mm
Poids (sans batterie ni chargeur)	750g

* À n'utiliser qu'avec la batterie de 24V (LB24A020 / 29842 / 29852).

* À n'utiliser qu'avec le chargeur de 24V (2903102) et le chargeur de 24V-48V (CH2448A010).

AVERTISSEMENTS DE SÉCURITÉ

A V E R T I S S E M E N T

Lire tous les avertissements de sécurité et toutes les instructions. Ne pas suivre les avertissements et instructions peut donner lieu à un choc électrique, un incendie et/ou une blessure sérieuse.

- **Conserver tous les avertissements et toutes les instructions pour pouvoir s'y reporter ultérieurement.** Le terme « outil » dans les avertissements fait référence à votre outil électrique (avec cordon d'alimentation) ou votre outil fonctionnant sur batterie (sans cordon d'alimentation).

1) SÉCURITÉ DE LA ZONE DE TRAVAIL

- **Conserver la zone de travail propre et bien éclairée.** Les zones en désordre ou sombres sont propices aux accidents.
- **Ne pas faire fonctionner les outils électriques en atmosphère explosive, par exemple en présence de liquides inflammables, de gaz ou de poussières.** Les outils électriques produisent des étincelles qui peuvent enflammer les poussières ou les fumées.
- **Maintenir les enfants et les personnes présentes à l'écart pendant l'utilisation de l'outil.** Les distractions peuvent vous faire perdre le contrôle de l'outil.

2) SÉCURITÉ ÉLECTRIQUE

- **Il faut que les fiches de l'outil électrique soient adaptées au socle. Ne jamais modifier la fiche de quelque façon que ce soit. Ne pas utiliser d'adaptateurs avec des outils à branchement de terre.** Des fiches non modifiées et des socles adaptés réduiront le risque de choc électrique.
- **Éviter tout contact du corps avec des surfaces reliées à la terre telles que les tuyaux, les radiateurs, les cuisinières et les réfrigérateurs.** Il existe un risque accru de choc électrique si votre corps est relié à la terre.
- **Ne pas exposer les outils à la pluie ou à des conditions humides.** La pénétration d'eau à l'intérieur d'un outil augmentera le risque de choc électrique.
- **Ne pas maltraiter le cordon. Ne jamais utiliser le cordon pour porter, tirer ou débrancher l'outil. Maintenir le cordon à l'écart de la chaleur, du lubrifiant, des arêtes ou des parties en mouvement.** Les cordons endommagés ou emmêlés augmentent le risque de choc électrique.
- **Lorsqu'on utilise un outil à l'extérieur, utiliser un prolongateur adapté à l'utilisation extérieure.** L'utilisation d'un cordon adapté à l'utilisation extérieure réduit le risque de choc électrique.
- **S'il est impossible d'éviter l'utilisation d'un outil électrique dans un endroit humide, brancher l'outil dans une prise ou sur un circuit d'alimentation dotés d'un disjoncteur de fuite à la terre (GFCI).** L'utilisation de ce type de disjoncteur réduit les risques de choc électrique.

REMARQUE : le terme « dispositif différentiel à courant résiduel » peut être remplacé par le terme « disjoncteur différentiel de fuite de terre (ddft) » ou « coupe-circuit de mise à la terre ».

3) SÉCURITÉ DES PERSONNES

- **Rester vigilant, regarder ce que vous êtes en train de faire et faire preuve de bon sens dans l'utilisation de l'outil. Ne pas utiliser un outil lorsque vous êtes fatigué ou sous l'emprise de drogues, d'alcool ou de médicaments.** Un moment d'inattention en cours d'utilisation d'un outil peut entraîner des blessures graves des personnes.
- **Utiliser des équipements de protection individuelle. Toujours porter une protection oculaire.** L'utilisation d'équipements de protection comme un masque antipoussière, des chaussures antidérapantes, un casque de sécurité ou des protecteurs auditifs lorsque la situation le requiert réduira les risques de blessures corporelles.
- **Éviter tout démarrage intempestif. S'assurer que l'interrupteur est en position arrêt avant de brancher l'outil au secteur et/ou au bloc de batteries, de le ramasser ou de le porter. Porter les outils en ayant le doigt sur l'interrupteur ou brancher des outils dont l'interrupteur est en position**

AVERTISSEMENTS DE SÉCURITÉ

marche est source d'accidents.

- **Retirer toute clé de réglage avant de mettre l'outil en marche.** *Une clé laissée fixée sur une partie tournante de l'outil peut donner lieu à des blessures de personnes.*
- **Ne pas se précipiter. Garder une position et un équilibre adaptés à tout moment.** *Cela permet un meilleur contrôle de l'outil dans des situations inattendues.*
- **S'habiller de manière adaptée. Ne pas porter de vêtements amples ou de bijoux. Garder les cheveux, les vêtements et les gants à distance des parties en mouvement.** *Des vêtements amples, des bijoux ou les cheveux longs peuvent être pris dans des parties en mouvement.*
- **Si des dispositifs sont fournis pour le raccordement d'équipements pour l'extraction et la récupération des poussières, s'assurer qu'ils sont connectés et correctement utilisés.** *Utiliser des collecteurs de poussière peut réduire les risques dus aux poussières.*

4) UTILISATION ET ENTRETIEN DE L'OUTIL

- **Ne pas forcer l'outil. Utiliser l'outil adapté à votre application.** *L'outil adapté réalisera mieux le travail et de manière plus sûre au régime pour lequel il a été construit.*
- **Ne pas utiliser l'outil si l'interrupteur ne permet pas de passer de l'état de marche à arrêt et vice versa.** *Tout outil qui ne peut pas être commandé par l'interrupteur est dangereux et il faut le faire réparer.*
- **Débrancher la fiche de la source d'alimentation en courant et/ou le bloc de batteries de l'outil avant tout réglage, changement d'accessoires ou avant de ranger l'outil.** *De telles mesures de sécurité préventives réduisent le risque de démarrage accidentel de l'outil.*
- **Conserver les outils à l'arrêt hors de la portée des enfants et ne pas permettre à des personnes ne connaissant pas l'outil ou les présentes instructions de le faire fonctionner.** *Les outils sont dangereux entre les mains d'utilisateurs novices.*
- **Observer la maintenance de l'outil. Vérifier qu'il n'y a pas de mauvais alignement ou de blocage des parties mobiles, des pièces cassées ou toute autre condition pouvant affecter le fonctionnement de l'outil. En cas de dommages, faire réparer l'outil avant de l'utiliser.** *De nombreux accidents sont dus à des outils mal entretenus.*
- **Garder affûtés et propres les outils permettant de couper.** *Des outils destinés à couper correctement entretenus avec des pièces coupantes tranchantes sont moins susceptibles de bloquer et sont plus faciles à contrôler.*
- **Utiliser l'outil, les accessoires et les lames etc., conformément à ces instructions, en tenant compte des conditions de travail et du travail à réaliser.** *L'utilisation de l'outil pour des opérations différentes de celles prévues pourrait donner lieu à des situations dangereuses.*

5) MAINTENANCE ET ENTRETIEN

- **Faire entretenir l'outil par un réparateur qualifié utilisant uniquement des pièces de rechange identiques.** *Cela assurera que la sécurité de l'outil est maintenue.*
- **Pour les réparations d'un outil électrique, utilisez uniquement des pièces de rechange identiques.** *Suivez les instructions de la section Entretien dans ce manuel. L'utilisation de pièces non autorisées ou le non-respect des consignes d'entretien peuvent être à l'origine d'une électrocution ou de blessures.*
- **Remisez l'outil à l'intérieur si vous ne l'utilisez pas.** *Si vous n'utilisez pas cet outil électrique, rangez-le à l'intérieur dans un endroit sec et surélevé hors de portée des enfants.*
- **Retirez toujours le bloc-batterie de votre outil lorsque vous assemblez des pièces, opérez un ajustement, effectuez un nettoyage ou lorsque vous n'utilisez pas l'outil.** *En retirant le bloc-batterie, le démarrage accidentel de l'outil, cause de graves blessures potentielles, n'est plus possible.*

6) CONSIGNES DE SÉCURITÉ SPÉCIFIQUES AUX OUTILS SANS FIL

- **Ne recharger qu'avec le chargeur spécifié par le fabri- peuvent glisser cant.** *Un chargeur qui*

AVERTISSEMENTS DE SÉCURITÉ

est adapté à un type de bloc de batteries peut créer un risque de feu lorsqu'il est utilisé avec un autre type de bloc de batteries.

- **N'utiliser les outils qu'avec des blocs de batteries spécifiquement désignés.** *L'utilisation de tout autre bloc de batteries peut créer un risque de blessure et de feu.*
- **Lorsqu'un bloc de batteries n'est pas utilisé, le maintenir à l'écart de tout autre objet métallique, par exemple trombones, pièces de monnaie, clés, clous, vis ou autres objets de petite taille qui peuvent donner lieu à une connexion d'une borne à une autre.** *Le court-circuitage des bornes d'une batterie entre elles peut causer des brûlures ou un feu.*
- **Dans de mauvaises conditions, du liquide peut être éjecté de la batterie ; éviter tout contact.** **En cas de contact accidentel, nettoyer à l'eau. Si le liquide entre en contact avec les yeux, rechercher en plus une aide médicale.** *Le liquide éjecté des batteries peut causer des irritations ou des brûlures.*
- **En cas d'utilisation sous la lumière directe du soleil, protéger de l'eau et de l'exposition à la pluie.**
- **Entreposer à l'intérieur et protéger de la pluie ou de l'eau, éviter une exposition directe à la lumière du soleil.**

7) CONSIGNES DE SÉCURITÉ PARTICULIÈRES

- **Tenez l'outil électrique par la poignée isolante lorsque l'accessoire de coupe peut entrer en contact avec du fil électrique caché.** *Lorsque l'accessoire de coupe touche un fil ou un câble « sous tension », les pièces métalliques non isolées de l'outil électrique peuvent elles aussi être « sous tension » et électrocuter l'utilisateur.*
- **Familiarisez-vous avec votre outil électrique.** *Lisez attentivement le mode d'emploi. Apprenez les différentes applications et limites, ainsi que les risques potentiels liés à cet outil. Le respect de cette règle permettra de réduire les électrocutions, incendies et graves blessures corporelles.*
- **Portez toujours des lunettes de protection munies d'écrans latéraux et conformes à la norme ANSI Z87.1.** *Le respect de cette règle permettra de réduire les risques de sérieuses blessures oculaires.*
- **Protégez vos lombaires.** *Portez un masque de protection ou un masque à poussière si le travail à effectuer produit de la poussière. Le respect de cette règle permettra de réduire les risques de sérieuses blessures oculaires.*
- **Protégez votre ouïe.** **Portez une protection auditive durant une utilisation prolongée.** *Le respect de cette règle permettra de réduire les risques de sérieuses blessures oculaires.*
- **Les outils électriques à batterie ne nécessitent pas un raccordement à la prise de courant, elles sont donc constamment prêtes à l'utilisation.** *Soyez conscient des risques possibles lorsque vous n'utilisez pas l'outil à batterie ou lors du remplacement d'accessoires. Le respect de cette règle permettra de réduire les risques d'électrocution, d'incendie ou de graves blessures corporelles.*
- **Évitez de placer l'outil à batterie sur sa batterie, près d'un feu ou d'une source de chaleur.** *Cela permettra de réduire les risques d'explosion et de blessures.*
- **Veuillez ne pas écraser, faire chuter ou endommager le bloc batterie.** *N'utilisez pas une batterie ou un chargeur ayant subi une chute ou un choc violent. Une batterie endommagée présente un risque d'explosion. Mettez au rebut la batterie ayant subi une chute ou endommagée de manière appropriée.*
- **Les batteries peuvent exploser en présence d'une source d'allumage, comme un témoin d'alimentation.** *Pour minimiser le risque de blessures corporelles, n'utilisez jamais un outil sans fil en présence d'une source de flamme nue. Une batterie qui explose peut projeter des débris et des produits chimiques. Lorsqu'une batterie explose, lavez immédiatement à l'eau courante.*
- **Ne chargez pas l'outil à batterie dans un endroit humide ou mouillé.** *Le respect de cette règle permettra de réduire les risques d'électrocution.*
- **Pour des résultats optimaux, chargez l'outil à batterie dans un endroit où la température est supérieure à 10° C / 50° F et inférieure à 37° C / 100° F.** *Pour réduire les risques de blessures graves, ne rangez pas l'unité à l'extérieur ou dans un véhicule.*

AVERTISSEMENTS DE SÉCURITÉ

- **Sous des conditions de température ou d'utilisation extrêmes, la batterie peut subir une fuite.** *Si l'acide de la batterie entre en contact avec votre peau, lavez immédiatement à l'eau claire et au savon. Si l'acide de la batterie entre en contact avec vos yeux, lavez vos yeux à l'eau courante pendant au moins 10 minutes, puis consultez immédiatement un médecin. Le respect de cette règle permettra de réduire les risques de sérieuses blessures oculaires.*
- **Conservez ces instructions. Lisez-les souvent et transmettez-les à d'autres utilisateurs.** *Lorsque vous prêtez l'unité à quelqu'un d'autre, remettez-lui également ces instructions afin de prévenir toute utilisation non adéquate du produit et toute blessure corporelle.*

PROPOSITION 65 DU GOUVERNEMENT DE CALIFORNIE



AVERTISSEMENT

ce produit et certaines poussières provenant du sablage, du sciage, du meulage, du perçage et d'autres activités de constructions vous exposent à des substances chimiques (en incluant le plomb) bien connues de l'État de Californie et pouvant causer des cancers, des défauts de naissance ou autres maladies. Lavez-vous les mains après manipulation.




Quelques exemples de ces substances chimiques :

- Le plomb provenant de la peinture au plomb,
- La silice cristalline contenue dans les briques, le béton et d'autres produits de maçonnerie, et
- l'arsenic et le chrome contenus dans le bois traité.







Les risques d'exposition varient selon la fréquence de ce type de travail. Pour réduire votre exposition à ces risques, travaillez dans un endroit correctement aéré, travaillez avec des équipements de protection appropriés comme des masque à poussière spécialement conçus pour filtrer les micro-particules.

SYMBOLES

Les avertissements et significations suivants visent à expliquer les différents niveaux de risque associés à ce produit.

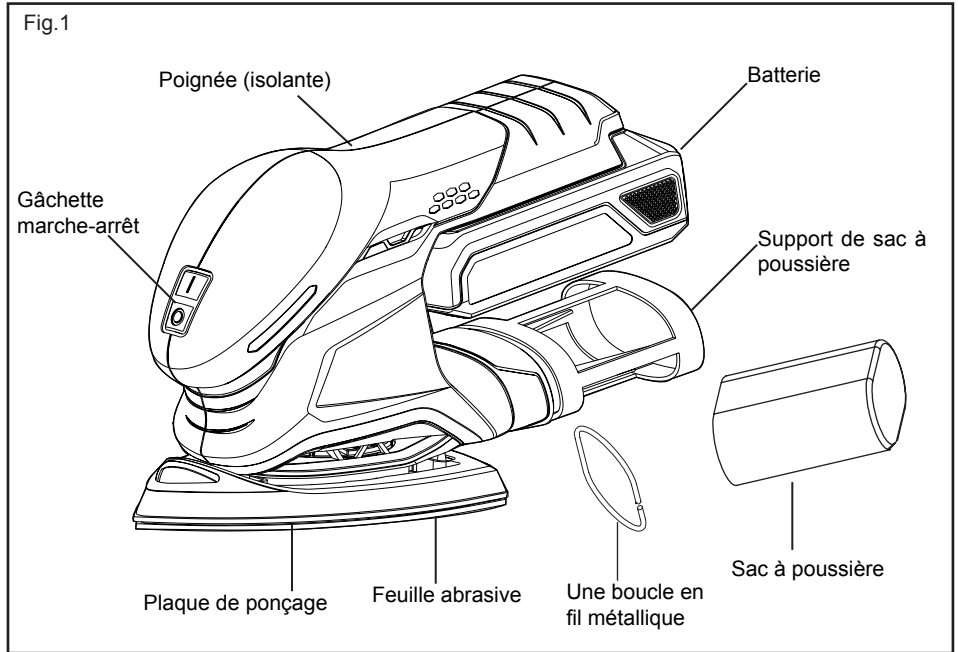
SYMBOLE	SIGNAL	SIGNIFICATION
	DANGER:	Ce symbole indique une situation extrêmement dangereuse qui, sans les précautions nécessaires, provoquera la mort ou des blessures graves.
	AVERTISSEMENT:	Ce symbole indique une situation potentiellement dangereuse qui, sans les précautions nécessaires, peut provoquer la mort ou des blessures graves.
	ATTENTION:	Ce symbole indique une situation potentiellement dangereuse qui, sans les précautions nécessaires, peut provoquer des blessures mineures ou modérées.
	ATTENTION:	(Sans le symbole d'avertissement) Indique une situation pouvant causer des dommages à des biens.

Le produit peut porter certains des symboles suivants. Veuillez les étudier et apprendre leur signification. Une correcte interprétation de ces symboles vous permettra d'utiliser le produit en toute sécurité.

SYMBOLE	FABRICANT	SIGNIFICATION
	Consignes de sécurité	Indique un risque de blessure corporelle potentiel.
	Lisez le manuel d'utilisation	Avant d'utiliser ce produit, l'utilisateur doit lire et comprendre le manuel d'utilisation afin de réduire les risques de blessures.
	Protection des yeux	Portez toujours des lunettes de protection munies d'écrans latéraux et conformes à la norme ANSI Z87.1.
	Casque	Protégez votre ouïe. Portez une protection auditive durant une utilisation prolongée.
	Alerte de condition d'humidité	Protégez l'outil contre la pluie ou l'eau
V	Volts	Tension
min	Minutes	Heure
 or C.C.	Courant continu	Type ou caractéristique du courant
/min or min ⁻¹	Par minute	Révolutions, courses, vitesse à la surface, orbites, etc., par minute
n _o	Vitesse à vide	Vitesse de rotation, à vide
RPM	Vitesse de rotation	Vitesse de rotation

APPRENEZ À CONNAÎTRE VOTRE PONCEUSE

Il est nécessaire de comprendre le mode opératoire de l'outil et ses spécifications contenues dans ce manuel d'utilisation, mais également le travail que vous allez débiter. Avant d'utiliser ce produit, familiarisez-vous avec tous ses fonctionnalités et les consignes d'utilisation.



ASSEMBLAGE

DÉBALLAGE

Ce produit a été expédié entièrement assemblé.

- Déballez le produit et ses accessoires avec précaution. Assurez-vous d'être en possession de tous les éléments figurant sur la liste des pièces de ce manuel.
- Vérifiez attentivement l'outil afin de s'assurer qu'aucun dommage ou fissure ne se soit produit durant le transport.
- Ne jetez pas les éléments d'emballage avant d'avoir attentivement vérifié et utilisé normalement le produit.

Lorsqu'un composant est endommagé ou manquant, contactez le service client au 1-888-909-6757.

AVERTISSEMENT

N'utilisez pas le produit s'il n'est pas complètement assemblé ou en présence d'un composant manquant ou endommagé. Utiliser un produit mal assemblé ou pas entièrement assemblé peut entraîner de graves blessures corporelles.

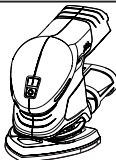
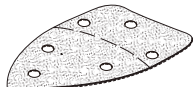
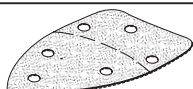

AVERTISSEMENT

N'utilisez pas ce produit avant que toute pièce qui présente des dommages/manquante ne soit remplacée. Utiliser un produit avec des pièces manquantes ou endommagées peut entraîner de graves blessures corporelles.

AVERTISSEMENT

N'essayez pas de modifier ce produit ou de créer des accessoires non recommandés pour une utilisation avec ce produit. Toute modification est considérée comme une utilisation inadéquate et peut entraîner des risques ainsi que des blessures corporelles.

LISTE DES PIÈCES

NOM DE LA PIÈCE	FIGURE	QTÉ
Ponceuse-finisseuse d'angle sans fil 24 V		1
Disque de 125 grains		1
Disque de 150 grains		1
Manuel D'utilisation		1

UTILISATION

⚠ AVERTISSEMENT

Pour prévenir tout démarrage accidentel pouvant causer de graves blessures corporelles, retirez toujours la batterie de l'outil avant d'effectuer un assemblage de pièces.

⚠ AVERTISSEMENT

Ne laissez pas la familiarité avec l'outil diminuer votre niveau d'attention. N'oubliez pas qu'une fraction de seconde d'inattention peut entraîner des blessures graves.

⚠ AVERTISSEMENT

Portez toujours des lunettes de protection munies d'écrans latéraux et conformes à la norme ANSI Z87.1. Ne pas porter de protection peut entraîner des projections d'objets vers les yeux et causer des blessures.

⚠ AVERTISSEMENT

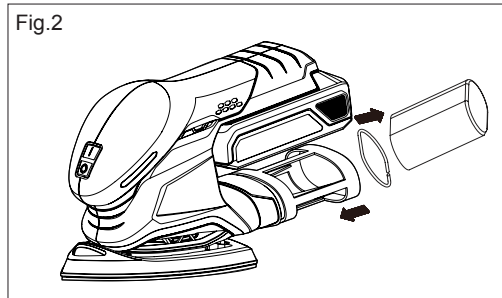
N'utilisez jamais de pièces ou d'accessoires non recommandées par le fabricant de ce produit. L'utilisation de pièces ou d'accessoires non recommandées par le fabricant peut entraîner de graves blessures corporelles.

APPLICATIONS

Vous pouvez utiliser l'appareil aux fins spécifiées ci-dessous :

- Ponçage sur des surfaces en bois
- Élimination de la rouille de surfaces en acier et ponçage

POSE DU SAC À POUSSIÈRE



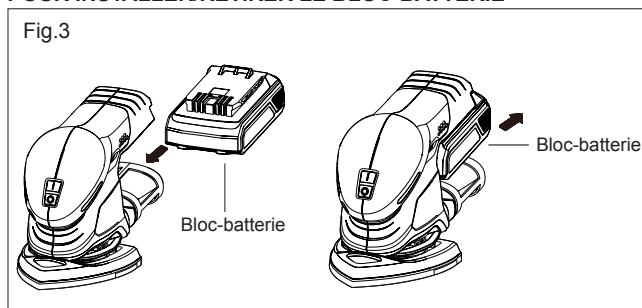
- Glissez le sac à poussière sur le support de sac à poussière.
- Attachez le sac à poussière à l'aide d'une boucle en fil métallique.
- Pour vider le sac à poussière, ouvrez-le et tapotez doucement dessus pour que le contenu sorte.

DISPOSITIFS DE PROTECTION DE LA BATTERIE

Les batteries lithium-ion Greenworks® sont dotées de fonctionnalités protégeant les cellules lithium-ion et maximisant la durée de vie de la batterie. Si l'outil s'arrête en cours d'utilisation, relâchez la gâchette pour réinitialiser l'outil et reprendre une utilisation normale. Si l'outil ne démarre toujours pas, il se peut que la batterie nécessite un remplacement.

UTILISATION

POUR INSTALLER/RETIRER LE BLOC-BATTERIE



Pour l'installer :

- Insérez le bloc-batterie.
- Avant toute utilisation, assurez-vous que le loquet situé de sur le bloc-batterie est fixé et que le bloc-batterie est fermement installé.

Pour le retirer :

- Enfoncez les loquets de chaque côté du bloc-batterie.

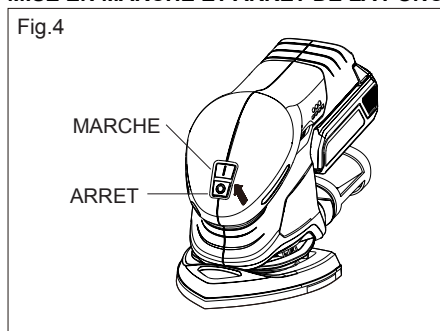
⚠ AVERTISSEMENT

Retirez toujours la batterie de l'outil avant tout assemblage de pièces, réglages, nettoyage ou période de non utilisation. Retirer la batterie permet de prévenir tout démarrage accidentel de l'outil pouvant causer de graves blessures corporelles.

⚠ AVERTISSEMENT

Les batteries sont toujours en état de fonctionnement. Le commutateur doit donc être verrouillé lorsque vous n'utilisez pas l'outil ou lorsque vous le transportez.

MISE EN MARCHÉ ET ARRÊT DE LA PONCEUSE



- Insérez le bloc-batterie.
- Pour mettre en marche ou arrêter la ponceuse : appuyez sur l'interrupteur marche-arrêt dans la direction indiquée.

CHOIX DU PAPIER ABRASIF

Le choix du grain approprié et du type de papier abrasif est une étape extrêmement importante pour

UTILISATION

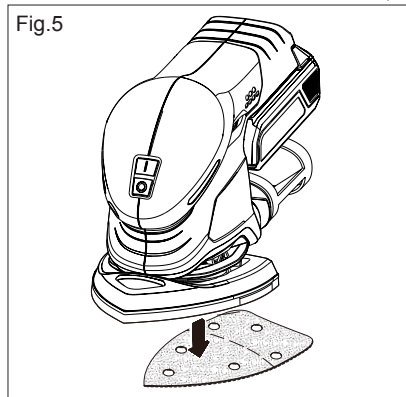
obtenir un fini sablé de qualité supérieure. L'oxyde d'aluminium, le carbure de silicium et d'autres abrasifs synthétiques sont ce qu'il y a de mieux pour le ponçage électrique. Les abrasifs naturels, par exemple le silex et le grenat sont trop mous pour une utilisation économique lors d'un ponçage électrique.

En général, les gros grains retirent de façon grossière une bonne partie du matériau et les grains plus fins produisent le meilleur fini pour toutes les opérations de ponçage. L'état de la surface à poncer déterminera la grosseur du grain pour la tâche à effectuer. Si la surface est rugueuse, démarrez avec un gros grain et poncez jusqu'à ce que la surface soit uniforme. Le grain moyen peut ensuite être utilisé pour éliminer les éraflures laissées par le gros grain et le grain le plus fin pour le fini de la surface. Continuez à poncer avec chaque grosseur de grain jusqu'à ce que la surface soit uniforme.

⚠ AVERTISSEMENT

Retirez toujours le bloc-batterie lorsque vous attachez, changez ou tournez la feuille abrasive. Le non-respect de cette instruction pourrait provoquer un démarrage accidentel entraînant de graves blessures.

ATTACHE DE LA FEUILLE ABRASIVE, DU PATIN ABRASIF ET DU TAMPON À POLIR

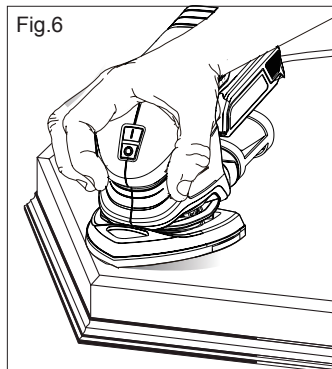


- Alignez le bout pointu et les bords arrondis de la feuille abrasive ou du patin abrasif avec le bout pointu et les bords arrondis du patin autoagrippant. Appuyez soigneusement sur le côté non abrasif de la feuille abrasive contre le patin afin qu'elle y adhère le plus possible.

REMARQUE: les feuilles abrasives peuvent être réutilisées pendant toute la durée de vie de l'abrasif de ponçage. Pour une meilleure adhérence, il est recommandé de maintenir propre le côté non abrasif de la feuille abrasive. Nettoyez-le occasionnellement en le brossant légèrement à l'aide d'une petite brosse.

UTILISATION

UTILISATION DE LA PONCEUSE



- Attachez la pièce à travailler afin de l'empêcher de se déplacer sous la ponceuse.
- Placez la ponceuse sur la pièce de façon à ce que la surface entière de la feuille abrasive soit en contact avec la pièce à travailler.
- Mettez en marche la ponceuse et déplacez-la lentement sur la pièce à travailler. Faites des passages successifs en faisant décrire à la ponceuse des lignes parallèles, des cercles ou en la déplaçant en travers de la pièce à travailler.
- Arrêtez la ponceuse et, avant de la retirer de la pièce à travailler, patientez jusqu'à ce qu'elle s'arrête complètement.

⚠ A V E R T I S S E M E N T

Les pièces à travailler qui ne sont pas attachées peuvent être projetées vers l'utilisateur et le blesser.

⚠ A V E R T I S S E M E N T

Gardez la tête éloignée de la ponceuse et de la surface à poncer. Vos cheveux pourraient se prendre dans la ponceuse en vous blessant gravement.

⚠ A V E R T I S S E M E N T

Pour empêcher le moteur de surchauffer et de s'endommager, veillez à ne pas laisser votre main couvrir les ouvertures d'aération.

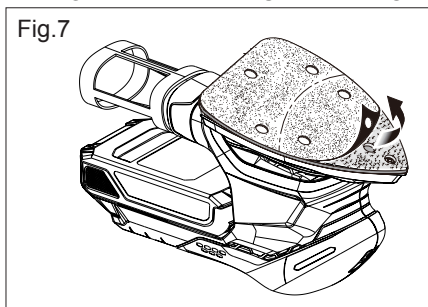
Ne forcez pas l'outil. Le poids de l'outil fournit la pression adéquate; laissez donc la feuille abrasive et la ponceuse faire le travail. Toute pression supplémentaire sur l'outil ralentit le moteur, use rapidement la feuille abrasive et réduit considérablement la vitesse de la ponceuse. Une pression excessive surchargera le moteur, ce qui peut le faire surchauffer et l'endommager et, au but du compte, produire un résultat de qualité inférieure. Le vernis ou la résine sur le bois peut se ramollir sous l'effet de la chaleur de frottement. Ne poncez pas trop longtemps au même endroit, car l'action rapide de la ponceuse peut éliminer trop de matériau en rendant la surface inégale.

Un ponçage prolongé peut surchauffer le moteur. Si cela se produit, arrêtez la ponceuse et patientez jusqu'à ce que la feuille abrasive s'arrête complètement, puis retirez-la de la pièce à travailler. Retirez la main de la zone d'aération, retirez la feuille abrasive, puis à l'aide de la main que vous avez retirée de la zone d'aération, mettez en marche la ponceuse et faites-la tourner à vide pour refroidir le moteur. Pour un ponçage précis, par exemple dans les coins et les anfractuosités, utilisez la pointe du patin abrasif en imprimant à l'outil un mouvement de va-et-vient.

ENTRETIEN

CHANGEMENT DE LA FEUILLE ABRASIVE ET DU PATIN

Fig.7



Pour changer la feuille abrasive et le patin, tirez simplement sur la feuille usée pour la détacher de la plaque d'assise et attachez la nouvelle feuille en appuyant la feuille ou le patin sur la laque d'assise de la ponceuse.

⚠ AVERTISSEMENT

Lors de la réparation de l'unité, utilisez des pièces de rechange identiques. L'utilisation de toute autre composant peut entraîner des risques ou endommager le produit.

⚠ AVERTISSEMENT

Pour prévenir toute blessure corporelle grave, retirez toujours le bloc-batterie de l'outil avant de nettoyer ou d'entretenir l'appareil.

SUGGESTIONS RELATIVES À L'ENTRETIEN GÉNÉRAL DE L'UNITÉ

N'utilisez jamais de solvants pour nettoyer les pièces en plastique. La plupart des plastiques peuvent n'endommager suite à l'application de différents solvants disponibles dans le commerce. Utilisez un chiffon propre pour retirer la saleté, la poussière, l'huile, la graisse, etc.

⚠ AVERTISSEMENT

Ne laissez pas du liquide de freinage, de l'essence, du lubrifiant pénétrant, des produits à base d'essence entrer en contact avec les pièces en plastique. Les produits chimiques peuvent endommager, détériorer ou détruire le plastique, ce qui peut entraîner de graves blessures corporelles.

RETRAIT DU BLOC BATTERIE ET PRÉPARATION EN VUE DU RECYCLAGE

⚠ AVERTISSEMENT

Désassembler un bloc-batterie ou de retirer un de ses composants. Les batteries lithium-ion et nickel-cadmium doivent être correctement mises au rebut ou recyclées. Veuillez également ne jamais lier les deux bornes avec des objets en métal/membre de votre corps pour ne pas court-circuiter la batterie. Tenir hors de la portée des enfants. Ne pas observer les mises en garde et les avertissements peut entraîner un incendie et/ou de graves blessures.

GARANTÍA



GREENWORKS® garantit ce produit à l'acheteur original en possession d'une preuve d'achat pour une période de quatre (4) ans contre les défauts des matériaux, des pièces ou de fabrication. GREENWORKS®, est prêt à réparer ou remplacer gratuitement, à son choix, toute pièce s'avérant défectueuse au cours de l'usage normal. Cette garantie n'est valable que pour les produits conçus pour l'usage personnel qui n'ont pas encore été loués ou appliqués à des fins industrielles/commerciales, et qui ont été entretenus en toute conformité avec les instructions décrites dans le manuel d'utilisation fourni avec le nouveau produit.

La batterie sont protégés par une garantie de deux (2) ans qui couvre les défauts de fabrication ou de matériaux. Pour que la garantie reste valide, les batteries doivent être chargées en conformité avec les instructions du fabricant et les règlements en vigueur.

ARTICLES NON COUVERTS PAR LA GARANTIE:

1. A Les pièces devenues inopérantes par suite d'un mauvais emploi, d'un usage à des fins commerciales, d'un usage abusif, d'une négligence, d'un accident, d'un mauvais entretien ou d'une;
2. L'article, s'il n'a pas été utilisé ou entretenu conformément aux directives du guide d'utilisation;
3. L'usure normale, sauf ce qui est indiqué ci-dessous;
4. Les choses faisant partie de l'entretien courant telles que les lubrifiants, l'affûtage de la lame;
5. La détérioration normale du fini extérieur attribuable à l'usage ou à l'exposition.

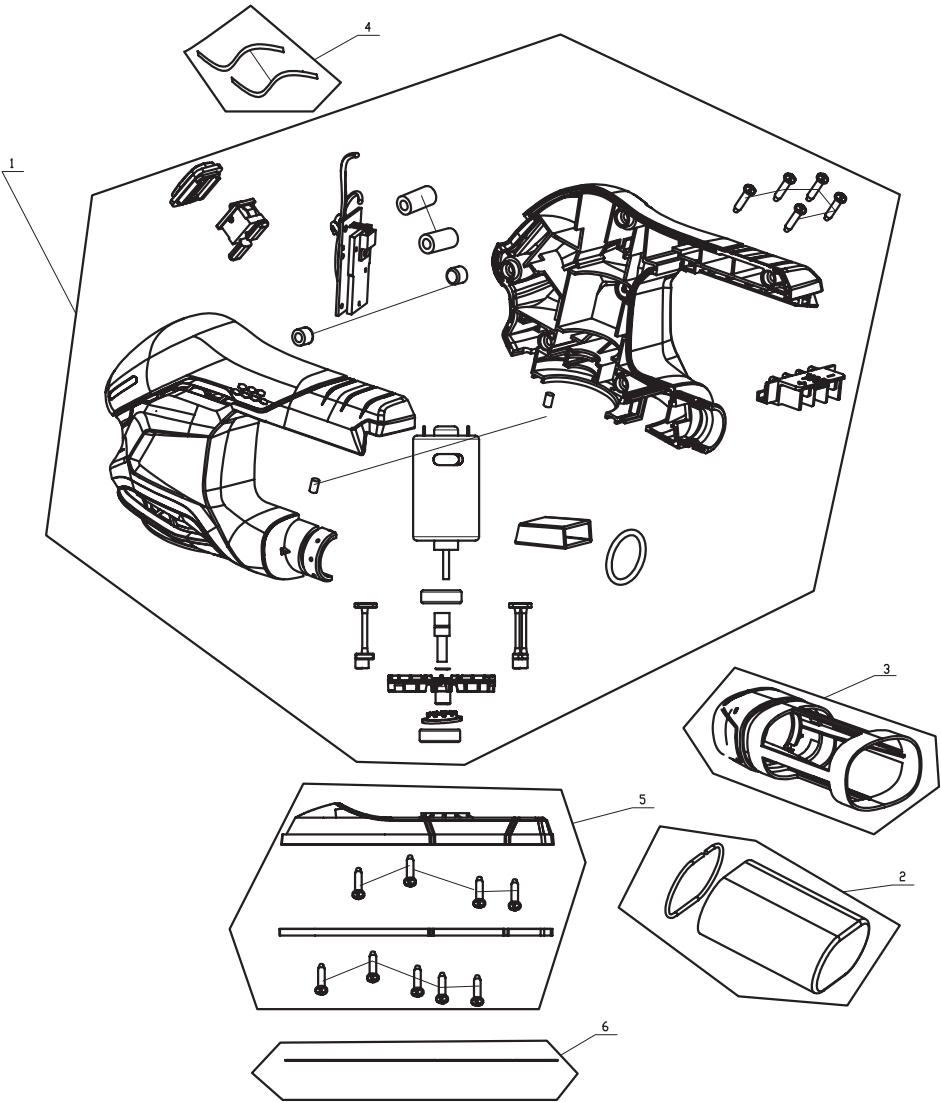
LIGNE D'ASSISTANCE GREENWORKS® (1-888-90WORKS):

Le service garantie se tient prêt à répondre à toutes vos demandes, contactez pour cela notre hotline d'assistance au 1-888-909-6757 (1-888-90WORKS).

FRAIS DE TRANSPORT:

Les frais de transport pour le déplacement de tout appareil mécanique ou de tout équipement accessoire sont la responsabilité de l'acheteur. L'acheteur doit acquitter les frais de transport de toute pièce dont il veut le remplacement en vertu de la présente garantie, sauf si ledit retour est exigé par écrit par GREENWORKS®.

VUE ÉCLATÉE



LISTE DES PIÈCES

NUMÉRO D'ARTICLE	DESCRIPTION	QTÉ
1	Ensemble ponceuse	1
2	Sac à poussière	1
3	Support de sac à poussière	1
4	Fil métallique	1
5	Plaque inférieure	1
6	Papier abrasif	1

greenworks®

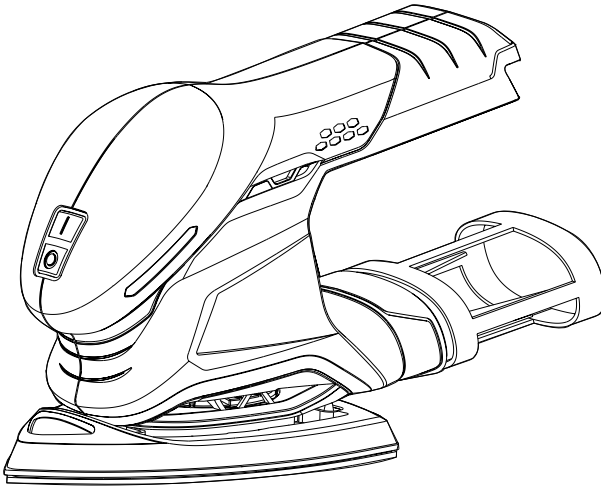
**Greenworks Tools
P.O. Box 1238
Mooreville, NC 28115**

TOLL-FREE HELPLINE: 1-888-90WORKS(888.909.6757)

greenworks®

LIJADORA DE ACABADO DE ESQUINAS INALÁMBRICA DE 24 V

CS24B00



Manual del Propietario

LÍNEA DE AYUDA GRATUITA: 1-888-90WORKS (888.909.6757)

www.GreenWorksTools.com



Antes de hacer funcionar esta herramienta, lea cuidadosamente todas las reglas de seguridad y las instrucciones.

ÍNDICE

Índice	2
Especificaciones del producto	2
Información sobre seguridad	3
Símbolos	7
Conozca su lijadora	8
Armado	9
Funcionamiento	10
Mantenimiento	14
Garantía	15
Vista desarrollada	16
Lista de piezas	17

ESPECIFICACIONES DEL PRODUCTO

Velocidad en vacío	11000 min ⁻¹
Velocidades	Una sola velocidad
Velocidad orbital nominal en vacío	22000 min ⁻¹
Diámetro de la órbita	0.8mm
Dimensiones de la placa lijadora	101*148mm
Peso (sin batería ni cargador)	750g

* Funciona solo con batería de 24V (LB24A020 / 29842 / 29852).

* Funciona solo un cargador de 24V(2903102) y un cargador de 24V-48V (CH2448A010).

INFORMACIÓN DE SEGURIDAD

ADVERTENCIA

Lea todas las advertencias de seguridad y instrucciones. *El incumplimiento de las advertencias e instrucciones puede ocasionar descarga eléctrica, fuego o lesiones graves.*

• **Lea todas las advertencias de seguridad y instrucciones.** *El incumplimiento de las advertencias e instrucciones puede ocasionar descarga eléctrica, fuego o lesiones graves.*

1) SEGURIDAD EN EL ÁREA DE TRABAJO

- **Mantenga limpia y bien iluminada el área de trabajo.** *Un área de trabajo mal despejada o mal iluminada propicia accidentes.*
- **No utilice herramientas motorizadas en atmósferas explosivas, como las existentes alrededor de líquidos, gases y polvos inflamables.** *Las herramientas eléctricas generan chispas que pueden encender el polvo y los vapores inflamables.*
- **Mantenga alejados a los niños y circunstantes al maniobrar una herramienta eléctrica.** *Toda distracción puede causar pérdida del control de la herramienta.*

2) SEGURIDAD ELÉCTRICA

- **El conector de la herramienta eléctrica debe coincidir con la toma de electricidad. Nunca modifique el conector.** *No utilice conectores adaptadores con herramientas eléctricas puestas a tierra. Los conectores no modificados y las tomas de electricidad coincidentes reducen los riesgos de descargas eléctricas.*
- **Evite el contacto del cuerpo con las superficies de objetos que estén haciendo tierra o estén conectados a ésta, como tuberías, radiadores, estufas y refrigeradores.** *Existe un mayor riesgo de descargas eléctricas si el cuerpo está haciendo tierra.*
- **No exponga las herramientas eléctricas a la lluvia ni a condiciones de humedad.** *La introducción de agua en una herramienta eléctrica aumenta el riesgo de descargas eléctricas.*
- **No maltrate el cordón eléctrico. Nunca utilice el cordón para trasladar, desconectar o tirar de la herramienta eléctrica. Mantenga el cordón alejado del calor, del aceite, de bordes afilados y de piezas móviles.** *Los cordones eléctricos dañados o enredados aumentan el riesgo de descargas eléctricas.*
- **Al utilizar una herramienta eléctrica a la intemperie, use un cordón de extensión apropiado para el exterior.** *Usando un cordón adecuado para el exterior se disminuye el riesgo de descargas eléctricas.*
- **Si debe operar una herramienta en lugares húmedos, use un suministro protegido por un interruptor de circuito con pérdida a tierra (GFCI).** *El uso de un GFCI reduce el riesgo de descargas eléctricas.*

NOTA : El concepto "interruptor diferencial" puede sustituirse por "interruptor de fallo de circuito de puesta a tierra" o "interruptor de circuito de fuga a tierra".

3) SEGURIDAD PERSONAL

- **Permanezca alerta, preste atención a lo que esté haciendo y aplique el sentido común al utilizar herramientas eléctricas. No utilice la herramienta eléctrica si está cansado o se encuentra bajo los efectos de alguna droga, alcohol o medicamento.** *Un momento de inatención al utilizar una herramienta eléctrica puede causar lesiones corporales serias.*
- **Utilice equipos de protección personal. Siempre utilice protección para los ojos.** *En las condiciones adecuadas, el uso de equipos de protección, como máscaras para polvo, calzado de seguridad antideslizante, cascos o protección auditiva, reducirá las lesiones personales.*
- **Evite un arranque accidental de la unidad. Asegúrese de que el interruptor esté en la posición de apagado antes de conectar la herramienta.** *Portar las herramientas eléctricas con el dedo en el interruptor, o conectarlas con el interruptor puesto, propicia accidentes.*

INFORMACIÓN DE SEGURIDAD

- **Retire toda llave o herramienta de ajuste antes de encender la herramienta eléctrica.** *Toda llave o herramienta de ajuste dejada en una pieza giratoria de la herramienta eléctrica puede causar lesiones.*
- **No estire el cuerpo para alcanzar mayor distancia. Mantenga una postura firme y buen equilibrio en todo momento.** *De esta manera se logra un mejor control de la herramienta eléctrica en situaciones inesperadas.*
- **Vístase adecuadamente. No vista ropas holgadas ni joyas. Mantenga el cabello, la ropa y los guantes alejados de las piezas móviles.** *Las ropas holgadas, las joyas y el cabello largo pueden engancharse en las piezas móviles.*
- **Si se suministran dispositivos para conectar mangueras de extracción y captación de polvo, asegúrese de que éstas estén bien conectadas y se usen correctamente.** *La utilización de captador de polvo puede disminuir los peligros relacionados con el polvo.*

4) PEMPLO Y CUIDADO DE LA HERRAMIENTA ELÉCTRICA

- **No fuerce la herramienta eléctrica. Utilice la herramienta eléctrica adecuada para cada trabajo.** *La herramienta eléctrica adecuada efectúa mejor y de manera más segura el trabajo, y además se maneja a la velocidad para la que está diseñada.*
- **No utilice la herramienta si el interruptor no enciende o no apaga.** *Cualquier herramienta eléctrica que no pueda controlarse con el interruptor es peligrosa y debe repararse.*
- **Desconecte la clavija del suministro de corriente o retire el paquete de baterías de la herramienta eléctrica, según sea el caso, antes de efectuarle cualquier ajuste, cambiarle accesorios o guardarla.** *Tales medidas preventivas de seguridad reducen el riesgo de poner en marcha accidentalmente la herramienta.*
- **Guarde las herramientas eléctricas desocupadas fuera del alcance de los niños y no permita que las utilicen personas no familiarizadas con las mismas o con estas instrucciones.** *Las herramientas eléctricas son peligrosas en manos de personas no capacitadas en el uso de las mismas.*
- **Preste servicio a las herramientas eléctricas. Revise para ver si hay desalineación o atoramiento de piezas móviles, ruptura de piezas o cualquier otra condición que pueda afectar el funcionamiento de la herramienta. Si está dañada la herramienta eléctrica, permita que la reparen antes de usarla.** *Numerosos accidentes son causados por herramientas eléctricas mal cuidadas.*
- **Mantenga las herramientas de corte afiladas y limpias.** *Las herramientas de corte bien cuidadas y con bordes bien afilados, tienen menos probabilidad de atascarse en la pieza de trabajo y son más fáciles de controlar.*
- **Utilice la herramienta eléctrica, los accesorios y brocas, hojas y cuchillas de corte, ruedas de esmeril, etc. de conformidad con estas instrucciones, tomando en cuenta las condiciones de trabajo y la tarea por realizar.** *Si se utiliza la herramienta eléctrica para operaciones diferentes de las indicadas podría originar una situación peligrosa. El uso de herramientas eléctricas para trabajos diferentes de aquellos para los que han sido concebidas puede resultar peligroso.*

5) SERVICE

- **Permita que un técnico de reparación calificado preste servicio a la herramienta eléctrica, y sólo con piezas de repuesto idénticas.** *De esta manera se mantiene la seguridad de la herramienta eléctrica.*
- **Al realizar reparaciones de una herramienta eléctrica, utilice solo recambios idénticos.** *Siga las instrucciones de la sección Mantenimiento de este manual. El uso de piezas no autorizadas o el incumplimiento de las instrucciones de mantenimiento pueden conllevar riesgos de descargas eléctricas o de lesiones.*
- **Cuando no la use, guarde la herramienta eléctrica en el interior.** *Cuando no esté en uso, la herramienta eléctrica debe guardarse en un lugar seco y bajo llave, fuera del alcance de los niños.*
- **Desmonte siempre el módulo de la batería de la herramienta al montar piezas, realizar**

INFORMACIÓN DE SEGURIDAD

ajustes, limpiarla o cuando no esté en uso. *El desmontaje del módulo de la batería impedirá que la herramienta se ponga en marcha accidentalmente, con la posibilidad de causar graves lesiones.*

6) EMPLEO Y CUIDADO DE LA HERRAMIENTA

- **Sólo cargue el paquete de baterías con el cargador especificado por el fabricante.** *Un cargador adecuado para un tipo paquete de baterías puede significar un riesgo de incendio si se emplea con un paquete de baterías diferente.*
- **Utilice las herramientas eléctricas sólo con los paquetes de baterías específicamente indicados.** *El empleo de paquetes de baterías diferentes puede presentar un riesgo de incendio.*
- **Cuando no esté utilizándose el paquete de baterías, manténgalo lejos de otros objetos metálicos, como clips, monedas, llaves, clavos, tornillos o otros objetos metálicos, pequeños que puedan establecer conexión entre ambas terminales.** *Establecer una conexión directa entre las dos terminales de las baterías puede causar quemaduras o incendios.*
- **Si se maltratan las baterías, puede derramarse líquido de las mismas; evite todo contacto con éste.** *En caso de contacto, lávese con agua. Si el líquido llega a tocar los ojos, además busque atención médica. El líquido de las baterías puede causar irritación y quemaduras.*
- **Cuando se utilice bajo la luz directa del sol hay que mantenerlo apartado del agua y no exponerlo a la lluvia.**
- **Guardar en un lugar interior y no exponerlo a la lluvia ni al agua.** *Tampoco debe exponerse a la luz directa del sol.*

7) NORMAS DE SEGURIDAD ESPECÍFICAS

- **Sostenga la herramienta eléctrica tomándola por las superficies aislada cuando realice operaciones en las que el accesorio de corte pueda entrar en contacto con cables ocultos.** *El contacto del accesorio de corte con un cable bajo tensión puede transmitir corriente a la herramienta y causar una descarga eléctrica al usuario.*
- **Conozca su herramienta. Lea con atención el manual del usuario.** *Familiarícese con sus aplicaciones y limitaciones, así como los riesgos potenciales específicos relacionados con esta herramienta eléctrica. Siguiendo esta regla reducirá el riesgo de descargas eléctricas, incendios o lesiones personales graves.*
- **Utilice siempre protección ocular con protectores laterales que cumpla con la norma ANSI Z87.1.** *Siguiendo esta regla se reducirá el riesgo de lesiones personales graves.*
- **Proteja sus pulmones.** *Utilice una careta o mascarilla si se encuentra en una zona con mucho polvo. Si sigue estas indicaciones reducirá el riesgo de lesiones personales graves.*
- **Proteja su audición.** *Use protectores auditivos durante largos periodos de operación. Si sigue estas indicaciones reducirá el riesgo de lesiones personales graves.*
- **Las herramientas de batería no necesitan estar enchufados a una toma de corriente; por lo tanto, están siempre en condiciones de funcionamiento.** *Sea consciente de los posibles riesgos cuando no utilice la herramienta a batería o al cambiar accesorios. Siguiendo esta regla reducirá el riesgo de descargas eléctricas, incendios o lesiones personales graves.*
- **No coloque las herramientas de batería o las pilas cerca del fuego o fuentes de calor.** *Esto reducirá el riesgo de explosiones y posiblemente lesiones.*
- **No aplaste, golpee o dañe la batería.** *No utilice una batería o un cargador que se haya caído o haya recibido un golpe fuerte. Una batería dañada podría explotar. Deseche correctamente y de forma inmediata una batería que haya caído o que esté dañada.*
- **Las baterías pueden explotar en presencia de una fuente de ignición, como un piloto.** *Para reducir el riesgo de lesiones personales graves, nunca use un producto inalámbrico en presencia de una llama expuesta. Si una batería explotase podría despedir desechos y productos químicos. Si se expusiera a estos, debería enjuagar las zonas expuestas con agua inmediatamente.*
- **No cargue la herramienta de batería en un lugar húmedo o mojado.** *Si sigue estas indicaciones reducirá el riesgo de descargas eléctricas.*

INFORMACIÓN DE SEGURIDAD

- **Para obtener mejores resultados, el cargador y la batería deberán colocarse en un lugar donde la temperatura sea superior a 10° C / 50° F, pero inferior a 37° C / 100° F.** *Para reducir el riesgo de lesiones personales graves, no almacene la unidad en el exterior o en vehículos.*
- **Bajo condiciones extremas de funcionamiento y temperatura, podrían ocurrir fugas en la batería.** *Si el líquido entra en contacto con la piel, enjuáguela inmediatamente con agua y jabón. Si el líquido entra en sus ojos, lávelos con agua limpia durante al menos 10 minutos, y luego acuda a su médico. Si sigue estas indicaciones reducirá el riesgo de lesiones personales graves.*
- **Guarde estas instrucciones. Consulte los manuales con frecuencia y facilíteselos a otras personas que puedan utilizar esta herramienta.** *Si presta esta herramienta a alguien, préstele también estas instrucciones para evitar el mal uso del producto y posibles lesiones.*

CALIFORNIA - PROPUESTA DE LEY NÚM. 65

A D V E R T E N C I A

Este producto puede contener sustancias químicas (por ejemplo, plomo) reconocidas por el estado de California como causantes de cáncer, defectos congénitos y otras afecciones del aparato reproductor. Lávese las manos después de utilizar el aparato.

Algunos ejemplos de estas sustancias químicas son:

- plomo de las pinturas a base de plomo,
- silicio cristalino de los ladrillos, del cemento y de otros productos de albañilería, y
- arsénico y cromo de la madera químicamente tratada.

El riesgo de la exposición a estos compuestos varía, según la frecuencia con que se realice este tipo de trabajo. Para reducir la exposición personal, trabaje en áreas bien ventiladas, y con equipo de seguridad aprobado, tal como las careta para el polvo especialmente diseñadas para filtrar partículas microscópicas.

SÍMBOLO

Las siguientes palabras de señalización y sus significados tienen el objeto de explicar los niveles de riesgo relacionados con este producto.

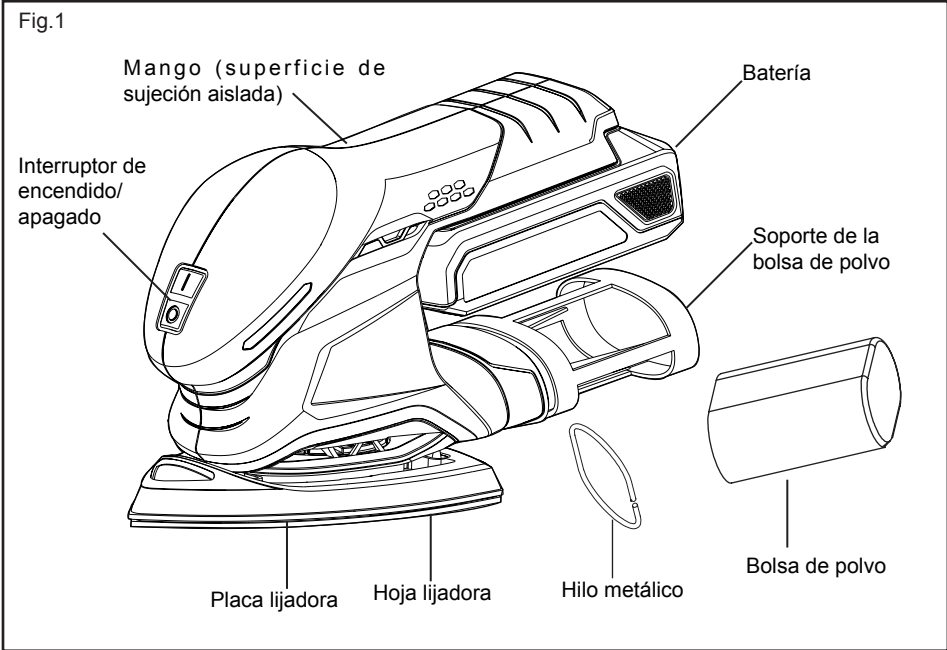
SÍMBOLO	SEÑAL	SIGNIFICADO
	PELIGRO:	Indica una situación peligrosa inminente, la cual, si no se evita, causará la muerte o lesiones serias.
	ADVERTENCIA:	Indica una situación peligrosa posible, la cual, si no se evita, podría causar la muerte o lesiones serias.
	PRECAUCIÓN:	Indica una situación peligrosa posible, la cual, si no se evita, podría causar lesiones menores o leves.
	PRECAUCIÓN:	(Sin el símbolo de alerta de seguridad) Indica una situación que puede producir daños materiales.

Es posible que se empleen en este producto algunos de los siguientes símbolos. Le suplicamos estudiarlos y aprender su significado. Una correcta interpretación de estos símbolos le permitirá utilizar mejor y de manera más segura el producto.

SÍMBOLO	NOMBRE	DENOMINACIÓN/EXPLICACIÓN
	Alerta de seguridad	Indica un peligro posible de lesiones personales.
	Lea manual del operador	Para reducir el riesgo de lesiones, el usuario debe leer y comprender el manual del operador antes de usar este producto.
	Protección ocular	Siempre póngase protección ocular con protección lateral con la marca de cumplimiento de la norma ANSI Z87.1.
	Protección auditiva	Proteja su oído. Utilice protección auditiva durante periodos prolongados de funcionamiento.
	Alerta de condiciones húmedas	No exponga la unidad a la lluvia ni la use en lugares húmedos.
V	Volts	Voltaje
min	Minutos	Tiempo
— or CC	Corriente continua	Tipo o característica de corriente
/min or min ⁻¹	Por minuto	Revoluciones, carreras, velocidad superficial, órbitas, etc., por minuto
n _o	Velocidad en vacío	Velocidad de rotación, en vacío
RPM	Velocidad de rotación	Velocidad de rotación

CONOZCA SU LIJADORA

Para usar este producto con la debida seguridad se debe comprender la información indicada en la herramienta misma y en este manual, y se debe comprender también el trabajo que intenta realizar. Antes de usar este producto, familiarícese con todas las características de funcionamiento y normas de seguridad del mismo.



ARMADO

DESEMBALAJE

Este producto ha sido enviado totalmente montado.

- Retire con cuidado el producto y los accesorios de la caja. Asegúrese de que están incluidos todos los elementos que figuran en la lista del paquete de embalaje.
- Revise el producto con atención para asegurarse de que no se produjeron daños o roturas durante el transporte.
- No tire el material de embalaje hasta que haya revisado con atención y haya utilizado el producto de manera satisfactoria.

Si falta alguna parte dañada o se encuentra dañada, llame al 1-888-909-6757 para que le proporcionen asistencia.

ADVERTENCIA

No use este producto si no está totalmente ensamblado o si alguna pieza falta o está dañada. Si utiliza un producto que no se encuentra ensamblado de forma correcta y completa, puede sufrir lesiones graves.

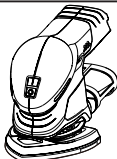
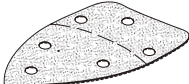
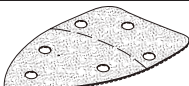

ADVERTENCIA

Si hay piezas dañadas o faltantes, no utilice este producto sin haber reemplazado todas las piezas. Usar este producto con partes dañadas o faltantes puede causar lesiones serias al operador.

ADVERTENCIA

No intente modificar esta herramienta ni hacer accesorios no recomendados para la misma. Cualquier alteración o modificación constituye maltrato el cual puede causar una condición peligrosa, y como consecuencia posibles lesiones corporales serias.

LISTA DE PIEZAS

NOMBRE DE LA PIEZA	IMAGEN	CANTIDAD
Lijadora de acabado de esquinas inalámbrica de 24 V		1
Disco abrasivo 125		1
Disco abrasivo 150		1
Manual del Propietario		1

FUNCIONAMIENTO

⚠ ADVERTENCIA

Para evitar un arranque accidental que podría causar lesiones corporales serias, siempre desmonte de la producto el paquete de baterías al montarle piezas a aquélla.

⚠ ADVERTENCIA

No permita que su familiarización con las herramientas lo vuelva descuidado. Tenga presente que un descuido de un instante es suficiente para causar una lesión grave.

⚠ ADVERTENCIA

Siempre póngase protección ocular con protección lateral con la marca de cumplimiento de la norma ANSI Z87.1. Si no cumple esta advertencia, los objetos que salen despedidos pueden producirle lesiones serias en los ojos.

⚠ ADVERTENCIA

No utilice ningún aditamento o accesorio no recomendado por el fabricante de este producto. El empleo de aditamentos o accesorios no recomendados podría causar lesiones serias.

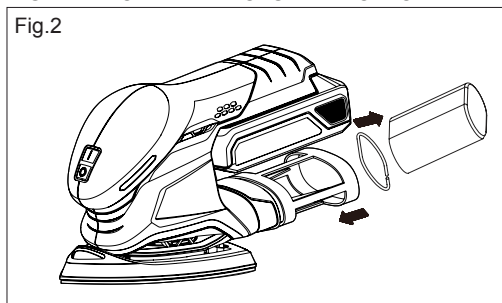
APLICACIONES

Este producto puede emplearse para los fines siguientes:

- Lijado de superficies de madera
- Eliminación de óxido y lijado de superficies de acero

INSTALACIÓN DE LA BOLSA DE POLVO

Fig.2



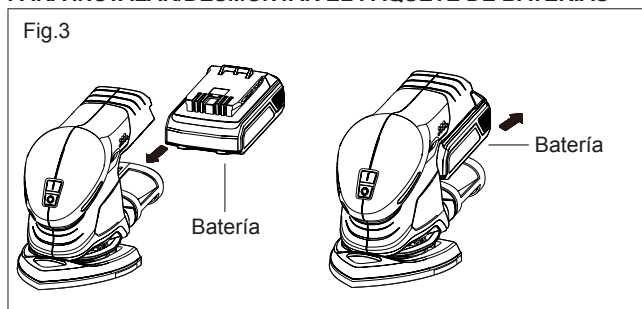
- Deslice la bolsa de polvo sobre el soporte de la bolsa de polvo.
- Inmovilice la bolsa de polvo con un hilo metálico.
- Para vaciar la bolsa de polvo, ábrala y golpee con cuidado el contenido.

CARACTERÍSTICAS DE PROTECCIÓN DE LA BATERÍA

Las baterías de ión de litio Greenworks® están diseñadas con características que protegen a las células de iones de litio y maximizan la duración de la batería. Si la herramienta se para durante su uso, suelte el gatillo para reiniciar y continúe con la operación. Si la herramienta sigue sin funcionar, es necesario recargar la batería.

FUNCIONAMIENTO

PARA INSTALAR/DESMONTAR EL PAQUETE DE BATERÍAS



Para instalar:

- Inserte el módulo de batería.
- Asegúrese de que los pestillos situados en ambos lados del paquete de baterías entren completamente en su lugar con un chasquido, y de que el paquete quede bien fijo en el taladro antes de empezar a utilizarlo.

Para desmontar:

- Apriete los pestillos de cada lado del módulo de la batería.

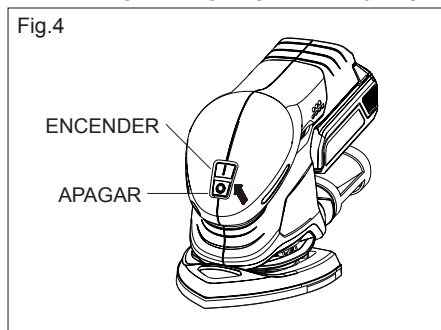
⚠ ADVERTENCIA

Retire siempre el paquete de baterías de la herramienta antes de instalar las piezas, realizar ajustes, limpiarla o cuando no la utilice. Retirar el paquete de baterías evitará que la unidad se accione accidentalmente y provoque lesiones graves.

⚠ ADVERTENCIA

Los productos de baterías siempre están en condiciones de funcionamiento. Por lo tanto, siempre debe estar asegurado el interruptor cuando no esté usándose o el operador lo lleve por un lado.

ENCENDIDO Y APAGADO DE LA LIJADORA



- Instale el módulo de la batería.
- Para encender o apagar la lijadora: empuje el interruptor de encendido/apagado en la dirección indicada.

FUNCIONAMIENTO

SELECCIÓN DE PAPELES DE LIJA

Seleccionar el papel de lija del tipo y tamaño correcto es de fundamental importancia para conseguir un acabado lijado de alta calidad. El óxido de aluminio, el carburo de silicio y otros abrasivos sintéticos son los mejores para el lijado eléctrico. Los abrasivos naturales, como el pedernal y la acerina, son demasiado blandos para un uso económico en el lijado eléctrico.

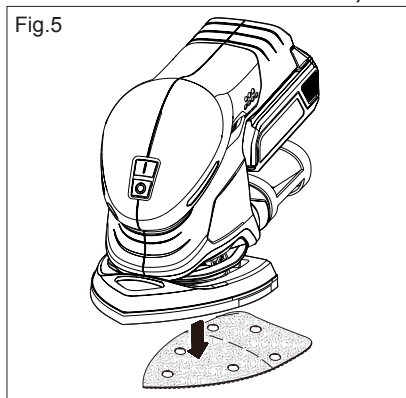
En general, la arena gruesa puede eliminar la mayoría de los materiales, y la arena fina permitirá obtener los mejores acabados en todas las operaciones de lijado. Las condiciones de la superficie a lijar determinarán qué tipo de arena es la más adecuada. Si la superficie es rugosa, empiece con una lija de arena gruesa y lije hasta que la superficie quede uniforme. A continuación, utilice una lija media para eliminar los raspones dejados por la lija gruesa, y una más fina para el acabado de la superficie. Siempre continúe lijando con cada lija hasta que la superficie quede uniforme.

⚠ A D V E R T E N C I A

Desmonte siempre el módulo de la batería al colocar, cambiar o girar las hojas de lija. De lo contrario, la lijadora podría ponerse en marcha accidentalmente y causar graves lesiones.

COLOCACIÓN DE HOJAS DE LIJA, DISCOS DE FROTACIÓN Y DISCOS DE PULIDO

Fig.5

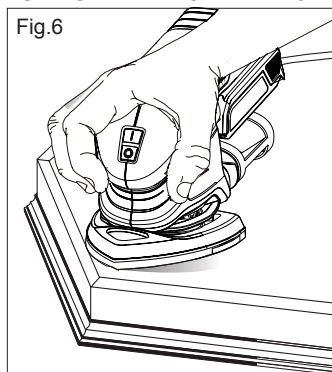


- Alinee el extremo en punta y los bordes redondeados de la hoja de lijar o de la almohadilla con el extremo en punta y los bordes redondeado del disco de enganche. Con cuidado, empuje la cara rugosa de la hoja de lijar contra el disco lo más ajustado que sea posible.

NOTA: Las hojas de lija pueden reutilizarse mientras el abrasivo resulte útil. Se recomienda mantener limpio el reverso de la hoja de lijado para una mejor adhesión. Limpie ocasionalmente frotando ligeramente con un cepillo pequeño.

FUNCIONAMIENTO

FUNCIONAMIENTO DE LA LIJADORA



- Inmovilice la pieza de trabajo para impedir que se mueva debajo de la lijadora.
- Coloque la lijadora sobre la pieza de trabajo, de modo que toda su superficie de la lija esté en contacto con la misma.
- Ponga en marcha la lijadora y deslícela lentamente sobre la pieza de trabajo. Haga pasada sucesivas en líneas paralelas, círculos o movimientos transversales.
- Apague la lijadora y espere hasta que se detenga completamente antes de retirarla de la pieza de trabajo.

⚠ ADVERTENCIA

Las piezas de trabajo no inmovilizadas pueden golpear al usuario, provocándole lesiones.

⚠ ADVERTENCIA

Mantenga la cabeza alejada de la lijadora y del área de lijado. La lijadora podría atraparle el pelo, provocando graves lesiones.

⚠ ADVERTENCIA

Para evitar averiar el motor por recalentamiento, tenga cuidado de no cubrir los orificios de ventilación con la mano.

No fuerce la lijadora. El peso de la unidad aplica la presión adecuada, así que deje que la hoja y la lijadora hagan todo el trabajo. Aplicar presión adicional ralentiza el motor, acelera el desgaste del papel de lija y reduce seriamente la velocidad del aparato. Una presión excesiva recalientará el motor, con los consiguientes daños, y puede conllevar un trabajo defectuoso. Cualquier acabado o resina sobre madera podría ablandarse como consecuencia del calor friccional. Evite lijar demasiado tiempo sobre un solo punto, ya que la rápida acción del aparato podrá quitar mucho material, dejando la superficie despareja.

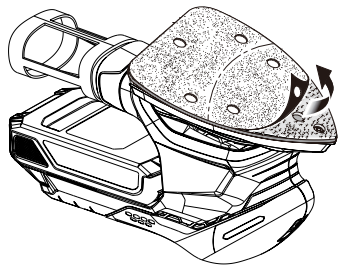
Los períodos prolongados de lijado tienden a recalentar el motor. Si esto ocurre, apague la lijadora y espere a que la hoja de lija se detenga completamente. A continuación, retírela de la pieza de trabajo. Retire la mano del área de ventilación, extraiga la lija y a continuación, con la mano apartada del área de ventilación, encienda la lijadora y déjela funcionar al vacío para enfriar el motor.

Para un lijado en detalle, como en esquinas y grietas, utilice el extremo del disco de lijado, con breves movimientos hacia adelante y hacia atrás.

MANTENIMIENTO

CAMBIO DE HOJAS Y DISCOS DE LIJAR

Fig.7



Para cambiar las hojas y discos de lijar, simplemente extraiga la hoja usada de la base y coloque la nueva empujándola contra el disco, en la base de la lijadora.

⚠ ADVERTENCIA

Al dar servicio a la unidad, sólo utilice piezas de repuesto idénticas. El empleo de piezas diferentes podría causar un peligro o dañar el producto.

⚠ ADVERTENCIA

Para evitar lesiones corporales serias, siempre retire el paquete de baterías de la producto al limpiarla o darle mantenimiento.

MANTENIMIENTO GENERAL

Evite el empleo de solventes al limpiar piezas de plástico. La mayoría de los plásticos son susceptibles a diferentes tipos de solventes comerciales y pueden resultar dañados. Utilice paños limpios para eliminar la suciedad, el polvo, el aceite, la grasa, etc.

⚠ ADVERTENCIA

No permita en ningún momento que fluidos para frenos, gasolina, productos a base de petróleo, aceites penetrantes, etc., lleguen a tocar las piezas de plástico. Las sustancias químicas pueden dañar, debilitar o destruir el plástico, lo cual a su vez podría producir lesiones corporales serias.

REMOCIÓN Y PREPARACIÓN DEL PAQUETE DE BATERÍAS PARA EL RECICLADO

⚠ ADVERTENCIA

Al retirar el paquete de baterías, cubra las terminales del mismo con cinta adhesiva reforzada. No intente destruir o desarmar el paquete de baterías, ni de desmontar ninguno de sus componentes. Las baterías deben reciclarse o desecharse debidamente. Asimismo, nunca toque ambas terminales con objetos metálicos y partes del cuerpo, ya que puede producirse un corto circuito. Manténgase fuera del alcance de los niños. La inobservancia de estas advertencias puede causar incendios y lesiones corporales serias.

GARANTÍA



Por este medio y por un período de cuatro (4) años GREENWORKS® garantiza este producto contra defectos en materiales, piezas o mano de obra al comprador original que cuente con una prueba de compra. GREENWORKS®, a su sola discreción reparará o reemplazará, sin costo alguno para el cliente, cualquier pieza defectuosa, siempre y cuando se haya hecho uso normal de ella. Esta garantía es válida solamente para unidades utilizadas de manera personal y que no hayan sido utilizadas o alquiladas para uso industrial o comercial, y que hayan recibido mantenimiento de acuerdo a las instrucciones que aparecen en el manual del propietario que se suministró con el producto nuevo.

La batería tiene dos (2) años de garantía contra defectos de fabricación y materiales. Las baterías deben ser cargadas de acuerdo con las instrucciones del manual de usuario y la normativa en vigor para ser válida.

ARTÍCULOS QUE NO CUBRE LA GARANTÍA:

1. Cualquier pieza que se haya vuelto inoperante debido a mal uso, uso comercial, abuso, descuido, accidente, mantenimiento inapropiado o alteración; o
2. La unidad, si no ha sido operada o si no se le ha dado mantenimiento de acuerdo al manual del propietario; o
3. Desgaste normal, excepto según se indica a continuación;
4. Artículos de mantenimiento rutinario tales como lubricantes, afilado de cuchillas;
5. Deterioro normal del acabado exterior debido al uso y la exposición al entorno.

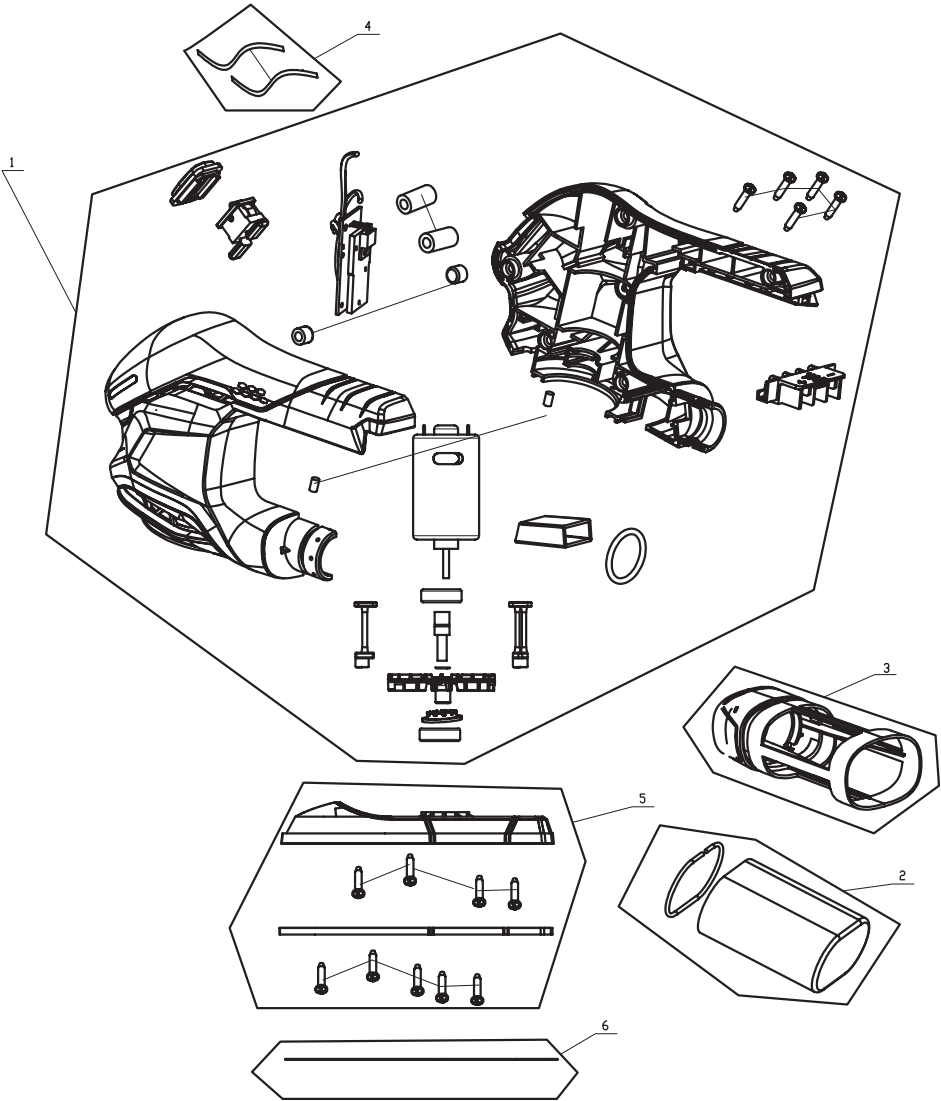
LÍNEA TELEFÓNICA PARA AYUDA DE GREENWORKS® (1 888 90WORKS):

Se puede obtener servicio relacionado con la garantía llamando de lunes a viernes el 1-888-909 6757 (1-888-90WORKS).

CARGOS DE TRANSPORTE:

Los cargos de transporte por el traslado de cualquier unidad de equipo o accesorio eléctrico son responsabilidad del comprador. El comprador es responsable de pagar los cargos de transporte de cualquier pieza presentada para reemplazo de acuerdo a esta garantía a menos que GREENWORKS® solicite por escrito tal retorno.

VISTA DESARROLLADA



LISTA DE PIEZAS

ARTÍCULO NO.	DESCRIPCIÓN	CANTIDAD
1	Combinación de lijadoras	1
2	Bolsa de polvo	1
3	Soporte de recogida de polvo	1
4	Cable	1
5	Placa inferior	1
6	Papel de lija	1

greenworks®

**Greenworks Tools
P.O. Box 1238
Mooreville, NC 28115**

LÍNEA DE AYUDA GRATUITA: 1-888-90WORKS(888.909.6757)

