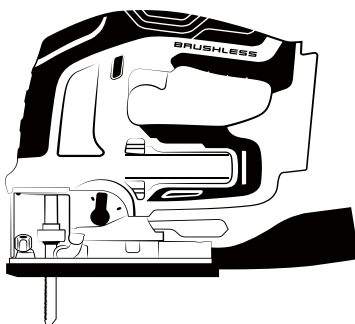


# greenworks

EN JIG SAW OPERATOR MANUAL  
FR SCIE SAUTEUSE MANUEL D'OPÉRATEUR  
ES SIERRA DE CALAR MANUAL DEL OPERADOR

210mm



24V Brushless Jig Saw  
**JSD401**  
**JS24L00**

www.greenworkstools.com

145mm

### 技术要求:

1. 材质要求: 60g双胶纸。
2. 单色印刷, 要求无色差、无污点; 色块需朝外。
3. 28P, 骑马钉, 裁切均匀、无连页。
4. 以封样为准。
5. 料件需符合格力博HSF文件(编号: GLB-CGR-146) 里关于环保和有害物质的具体要求。

版本号

B

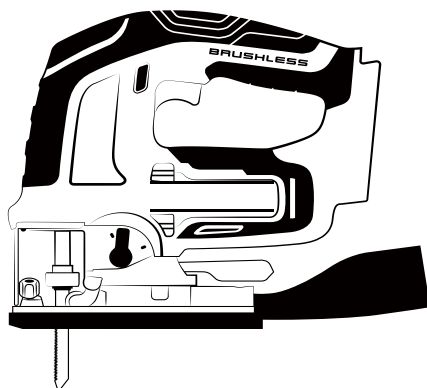
描 复

日 期

					说明书				常州格力博集团	
									GW 24V 曲线锯	
标记	处数	更改文件号	签名	日期					3601202AZ	
设计	蒋思聪	标准化	王小妮	阶段标记	视角标记	重量	比例			
校对	许乃鑫	审定		S	A	B				
审核	周艳	批准	李海平	共 1 张		第 1 张				
工艺		日期	20.6.22					ERP号		

# greenworks

EN	JIG SAW	OPERATOR MANUAL
FR	SCIE SAUTEUSE	MANUEL D'OPÉRATEUR
ES	SIERRA DE CALAR	MANUAL DEL OPERADOR



24V Brushless Jig Saw

**JSD401**

**JS24L00**

[www.greenworkstools.com](http://www.greenworkstools.com)



<b>1</b>	<b>Description.....</b>	<b>4</b>	6.1	Unpack the machine.....	7
1.1	Purpose.....	4	6.2	Install the battery pack.....	7
1.2	Overview.....	4	6.3	Remove the battery pack.....	7
1.3	Packing list.....	4	6.4	Install the blade.....	7
<b>2</b>	<b>General power tool safety</b>		6.5	Remove the blade.....	8
	<b>warnings.....</b>	<b>4</b>	6.6	Install the edge guide.....	8
2.1	Work area safety.....	4	<b>7</b>	<b>Operation.....</b>	<b>8</b>
2.2	Electrical safety.....	4	7.1	Start the machine.....	8
2.3	Personal safety.....	4	7.2	Stop the machine.....	8
2.4	Power tool use and care.....	5	7.3	Orbital motion.....	8
2.5	Battery tool use and care.....	5	7.4	Adjust the footplate angle.....	9
2.6	Service.....	5	7.5	Operate the machine.....	9
2.7	Specific safety rules.....	5	<b>8</b>	<b>Maintenance.....</b>	<b>9</b>
<b>3</b>	<b>Symbols on the product.....</b>	<b>6</b>	8.1	Clean the machine.....	9
<b>4</b>	<b>Risk levels.....</b>	<b>6</b>	<b>9</b>	<b>Technical data.....</b>	<b>9</b>
<b>5</b>	<b>Proposition 65.....</b>	<b>7</b>	<b>10</b>	<b>Limited warranty.....</b>	<b>10</b>
<b>6</b>	<b>Installation.....</b>	<b>7</b>	<b>11</b>	<b>Exploded view.....</b>	<b>10</b>

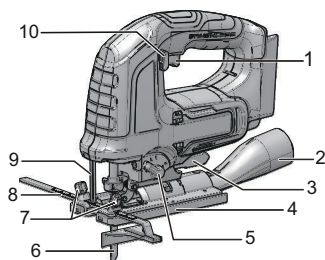
## 1 DESCRIPTION

### 1.1 PURPOSE

You may use this product for cutting purposes:

- cutting all types of wood
- cutting plastic
- cutting metals

### 1.2 OVERVIEW



- |                              |                    |
|------------------------------|--------------------|
| 1 Trigger                    | 6 Blade            |
| 2 Tube                       | 7 Edge Guide Knobs |
| 3 Angle Adjustment Trigger   | 8 Edge Guide       |
| 4 Footplate                  | 9 Finger Guard     |
| 5 Blade Orbit Selector Lever | 10 Lock-off Button |

### 1.3 PACKING LIST

- |              |               |
|--------------|---------------|
| 1 Jig saw    | 5 Steel blade |
| 2 Dust tube  | 6 Footplate   |
| 3 Edge guide | 7 Manual      |
| 4 Wood blade |               |

## 2 GENERAL POWER TOOL SAFETY WARNINGS

### ▲ WARNING

Read all safety warnings, instructions, illustrations and specifications provided with this power tool. Failure to follow all instructions listed below may result in electric shock, fire and/or serious injury.

Save all warnings and instructions for future reference.

The term "power tool" in the warnings refers to your mains-operated (corded) power tool or BATTERY-operated (cordless) power tool.

### 2.1 WORK AREA SAFETY

- **Keep work area clean and well lit.** Cluttered or dark areas invite accidents.

- **Do not operate power tools in explosive atmospheres, such as in the presence of flammable liquids, gases or dust.** Power tools create sparks which may ignite the dust or fumes.
- **Keep children and bystanders away while operating a power tool.** Distractions can cause you to lose control.

### 2.2 ELECTRICAL SAFETY

- **Power tool plugs must match the outlet. Never modify the plug in any way. Do not use any adapter plugs with earthed (grounded) power tools.** Unmodified plugs and matching outlets will reduce risk of electric shock.
- **Avoid body contact with earthed or grounded surfaces, such as pipes, radiators, ranges and refrigerators.** There is an increased risk of electric shock if your body is earthed or grounded.
- **Do not expose power tools to rain or wet conditions.** Water entering a power tool will increase the risk of electric shock.
- **Do not abuse the cord. Never use the cord for carrying, pulling or unplugging the power tool. Keep cord away from heat, oil, sharp edges and moving parts.** Damaged or entangled cords increase the risk of electric shock.
- **When operating a power tool outdoors, use an extension cord suitable for outdoor use.** Use of a cord suitable for outdoor use reduces the risk of electric shock.
- **If operating a power tool in a damp location is unavoidable, use a RESIDUAL CURRENT DEVICE (RCD) protected supply.** Use of an RCD reduces the risk of electric shock.

### 2.3 PERSONAL SAFETY

- **Stay alert, watch what you are doing and use common sense when operating a power tool. Do not use a power tool while you are tired or under the influence of drugs, alcohol or medication.** A lapse of attention while operating power tools may result in serious personal injury.
- **Use personal protection. Always wear eye protection.** Protective products such as dust mask, non-skid safety shoes, hard hat or hearing protection used appropriately will reduce personal injuries.
- **Prevent unintentional starting. Ensure the switch is in the off position before connecting to power source and/or battery pack and when picking up or carrying the tool.** Carrying power tools with your finger on the switch or energizing power tools that have the switch on invites accidents.
- **Remove any adjusting key or wrench before turning the power tool on.** A wrench or a key left attached to a rotating part of the power tool may result in personal injury.
- **Do not over-reach. Keep proper footing and balance at all times.** This enables better control of the power tool in unexpected situations.

- **Dress properly. Do not wear loose clothing or jewellery. Keep your hair, clothing and gloves away from moving parts.** *Loose clothes, jewellery or long hair can be caught in moving parts.*
- **If devices are provided for the connection of dust extraction and collection facilities, ensure these are connected and properly used.** *Use of dust collection can reduce dust related hazards.*
- **Do not let familiarity gained from frequent use of tools allow you to become complacent and ignore tool safety principles.** *A careless action can cause severe injury within a fraction of a second.*

## 2.4 POWER TOOL USE AND CARE

- **Do not force the power tool. Use the correct power tool for your application.** *The correct power tool will do the job better and safer at the rate for which it was designed.*
- **Do not use the power tool if the switch does not turn it on and off.** *Any power tool that cannot be controlled with the switch is dangerous and must be repaired.*
- **Disconnect the plug from the power source and/or the battery pack from the power tool before making any adjustments, changing accessories, or storing power tools.** *Such preventive safety measures reduce the risk of starting the power tool accidentally.*
- **Store idle power tools out of the reach of children and do not allow persons unfamiliar with the power tool or these instructions to operate the power tool.** *Power tools are dangerous in the hands of untrained users.*
- **Maintain power tools and accessories. Check for misalignment or binding of moving parts, breakage of parts and any other condition that may affect the power tool's operation. If damaged, have the power tool repaired before use.** *Many accidents are caused by poorly maintained power tools.*
- **Keep cutting tools sharp and clean.** *Properly maintained cutting tools with sharp cutting edges are less likely to bind and are easier to control.*
- **Use the power tool, accessories and tool bits etc. in accordance with these instructions, taking into account the working conditions and the work to be performed.** *Use of the power tool for operations different from those intended could result in a hazardous situation.*
- **Keep handles and grasping surfaces dry, clean and free from oil and grease.** *Slippery handles and grasping surfaces do not allow for safe handling and control of the tool in unexpected situations.*

## 2.5 BATTERY TOOL USE AND CARE

- **Recharge only with the charger specified by the manufacturer.** *A charger that is suitable for one type of battery pack may create a risk of fire when used with another battery pack.*
- **Use power tools only with specifically designated battery packs.** *Use of any other battery packs may create a risk of injury and fire.*

- **When battery pack is not in use, keep it away from other metal objects like paper clips, coins, keys, nails, screws, or other small metal objects that can make a connection from one terminal to another.** *Shorting the battery terminals together may cause burns or fire.*
- **Under abusive conditions, liquid may be ejected from the battery; avoid contact. If contact accidentally occurs, flush with plenty of soap and water. If liquid contacts eyes, immediately seek medical help.** *Liquid ejected from the battery may cause irritation or burns.*
- **Do not use a battery pack or tool that is damaged or modified.** *Damaged or modified batteries may exhibit unpredictable behaviour resulting in fire, explosion or risk of injury.*
- **Do not expose a battery pack or tool to fire or excessive temperature.** *Exposure to fire or temperature above 130 °C may cause explosion.*
- **Follow all charging instructions and do not charge the battery pack or tool outside the temperature range specified in the instructions.** *Charging improperly or at temperatures outside the specified range may damage the battery and increase the risk of fire.*

## 2.6 SERVICE

- **Have your power tool serviced by a qualified repair person using only identical replacement parts.** *This will ensure that the safety of the power tool is maintained.*
- **Never service damaged battery packs.** *Service of battery packs should only be performed by the manufacturer or authorized service providers.*



## 2.7 SPECIFIC SAFETY RULES

- **Hold the power tool by insulated gripping surfaces, when performing an operation where the cutting accessory may contact hidden wiring.** *Cutting accessory contacting a "live" wire may make exposed metal parts of the power tool "live" and could give the operator an electric shock.*
- **Use clamps or another practical way to secure and support the workpiece to a stable platform.**  *Holding the workpiece by hand or against your body leaves it unstable and may lead to loss of control.*
- **Know your power tool. Read operator manual carefully.** *Learn its applications and limitations, as well as the specific potential hazards related to this power tool. Obey this instruction will reduce shock, fire or serious injury.*
- **Always wear safety glasses with side shields marked to comply with ANSI Z87.1.** *Obey this instruction will reduce the risk of serious injury.*
- **Protect your lungs. Wear a face or dust mask if the operation is dusty.** *Obey this instruction will reduce the risk of serious injury.*
- **Protect your hearing. Wear hearing protection during extended periods of operation.** *Obey this instruction will reduce the risk of serious injury.*

- **Battery tools do not have to be plugged into an electrical outlet; thus, they are always in operating condition. Be aware of possible hazards when not using your battery tool or when changing accessories. Obey this instruction will reduce the risk of electric shock, fire, or serious injury.**
- **Do not place battery tools or their batteries near fire or heat. This will reduce the risk of explosion and possible injury.**
- **Do not crush, drop or damage battery pack. Do not use a battery pack or charger that has been dropped or received a sharp blow. A damaged battery is subject to explosion. Properly dispose of a dropped or damaged battery immediately.**
- **Batteries can explode in the presence of a source of ignition, such as a pilot light. To reduce the risk of serious injury, never use any cordless product in the presence of open flame. An exploded battery can propel debris and chemicals. If exposed, flush with water immediately.**
- **Do not charge battery tool in a damp or wet location. Obey this instruction will reduce the risk of electric shock.**
- **For best results, your battery tool should be charged in a location where the temperature is more than 50°F but less than 100°F. To reduce the risk of serious injury, do not store outside or in vehicles.**
- **Under extreme usage or temperature conditions, battery leakage may occur. If liquid comes in contact with your skin, wash immediately with soap and water. If liquid gets into your eyes, flush them with clean water for at least 10 minutes, then seek immediate medical attention. Obey this instruction will reduce the risk of serious injury.**
- **Keep these instructions. Refer to them frequently and use them to instruct others who may use this tool. If you borrow someone this tool, loan them these instructions also to prevent incorrect use of the machine and possible injury.**

### 3 SYMBOLS ON THE PRODUCT




Some of the following symbols may be used on this tool. Please study them and learn their meaning. Proper interpretation of these symbols will allow you to operate the tool better and safer.

Symbol	Explanation
V	Volts
min <sup>-1</sup>	No-load speed
	Direct current
	Safety alert

Symbol	Explanation
	Read and understand all instructions before operating the product, and follow all warnings and safety instructions.
	Wear ear protection.
	Wear eye protection
	Do not expose the product to rain or moist conditions.
	Wear a dust mask
	No Hands Symbol
	No Hands Symbol
	No Hands Symbol
	Hot Surface

### 4 RISK LEVELS

The following signal words and meanings are intended to explain the levels of risk associated with this product.

SYMBOL	SIGNAL	MEANING
	DANGER	Indicates an imminently hazardous situation, which, if not avoided, will result in death or serious injury.
	WARNING	Indicates a potentially hazardous situation, which, if not avoided, could result in death or serious injury.
	CAUTION	Indicates a potentially hazardous situation, which, if not avoided, may result in minor or moderate injury.
	CAUTION	(Without Safety Alert Symbol) Indicates a situation that may result in property damage.

## 5 PROPOSITION 65

### ▲ WARNING

This product contains a chemical known to the state of California to cause cancer, birth defects or other reproductive harm. Some dust created by power sanding, sawing, grinding, drilling, and other construction activities contains chemicals known to cause cancer, birth defects or other reproductive harm. Some examples of these chemicals are:

- Lead from lead-based paints;
- Crystalline silica from bricks and cement and other masonry products;
- Arsenic and chromium from chemically treated lumber.

Your risk of exposure to these chemicals varies depending on how often you do this type of work. To reduce your exposure to these chemicals, work in a well-ventilated area, and work with approved safety equipment, such as dust masks that are specially designed to filter out microscopic particles.

Save these instructions.

## 6 INSTALLATION

### 6.1 UNPACK THE MACHINE

#### ▲ WARNING

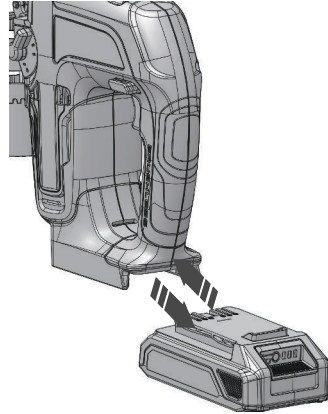
Make sure that you correctly assemble the machine before use.

#### ▲ WARNING

- If the parts are damaged, do not use the machine.
- If you do not have all the parts, do not operate the machine.
- If the parts are damaged or missing, speak to the service center.

1. Open the package.
2. Read the documentation in the box.
3. Remove all the unassembled parts from the box.
4. Remove the machine from the box.
5. Discard the box and package in compliance with local regulations.

### 6.2 INSTALL THE BATTERY PACK



#### ▲ WARNING

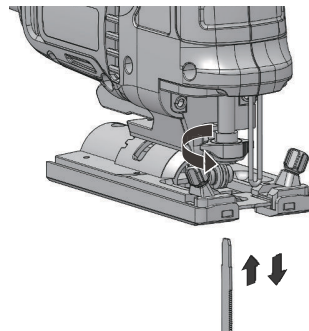
- If the battery pack or charger is damaged, replace the battery pack or the charger.
- Stop the machine and wait until the motor stops before you install or remove the battery pack.
- Read, know, and do the instructions in the battery and charger manual.

1. Align the lift ribs on the battery pack with the grooves in the battery compartment.
2. Push the battery pack into the battery compartment until the battery pack locks into place.
3. When you hear a click, the battery pack is installed.

### 6.3 REMOVE THE BATTERY PACK

1. Push and hold the battery release button.
2. Remove the battery pack from the machine.

### 6.4 INSTALL THE BLADE



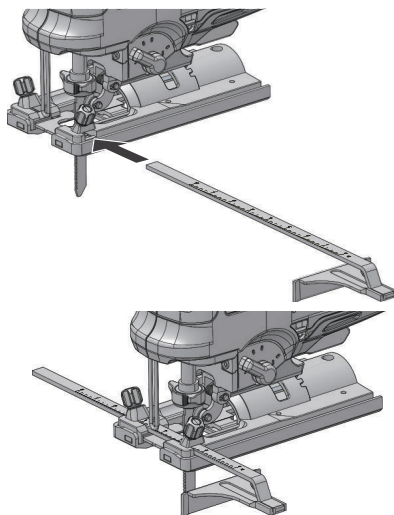


1. Rotate the blade clamp lock counterclockwise. Hold the lock in the open position.
2. Insert saw blade between blade clamp and saw bar.
3. Close blade clamp lock.

## 6.5 REMOVE THE BLADE

1. Rotate the blade clamp lock counterclockwise. Hold the lock in the open position.
2. Pull the blade out.

## 6.6 INSTALL THE EDGE GUIDE



1. Loosen the edge guide knobs.
2. Install the edge guide on either side as needed.
3. Adjust the edge guide as needed.
4. Tighten edge guide knobs.

## 7 OPERATION

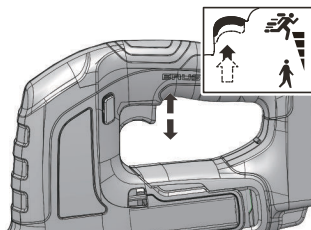
### ▲ WARNING

Always wear eye protection.

### ▲ WARNING

Do not use any attachments or accessories not recommended by the manufacturer of this product.

## 7.1 START THE MACHINE



### i NOTE

The machine can not work when the lock-off button is on the center.

1. Push the lock-off button to the left or right side to unlock the trigger.
2. Pull the trigger to turn the machine ON.

### Variable speed

The machine has a variable speed switch that delivers higher speed with increased trigger pressure and lower speed with decreased trigger pressure.

## 7.2 STOP THE MACHINE

1. Release the trigger to turn the machine OFF.

### ▲ WARNING

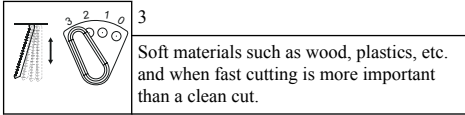
Release the trigger and allow the machine to come to a complete stop.

## 7.3 ORBITAL MOTION

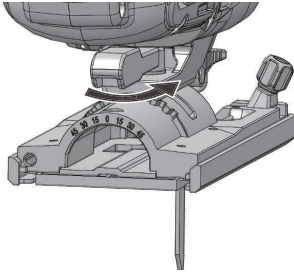
Orbital motion provides faster, more efficient cutting.

Choose from four orbital adjustment position for fine to aggressive cutting.

	0 Hard materials such as metals or thin sheet metals. This setting can be used with knife blades, grit edge blades, rasp work, and down cutting blades.
	1 Soft materials where cleaner cutting or delicate scrolling work is performed.
	2 Medium density materials such as harder woods or particle board.



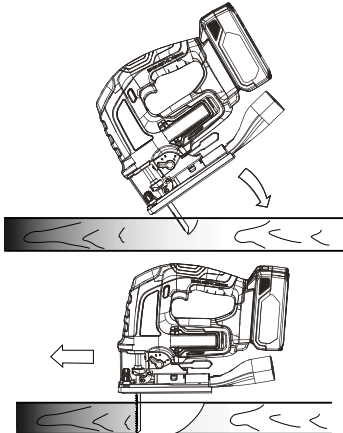
## 7.4 ADJUST THE FOOTPLATE ANGLE



The footplate may be tilted to allow angle cuts up to 45° in either direction.

1. Switch the trigger to the right.
2. Adjust the angle as needed.
3. Switch the trigger to the original position.

## 7.5 OPERATE THE MACHINE



### **i** NOTE

For best performance, always select a specified blade for the particular application and type of material you wish to cut.

### General cutting

1. Put the front of the saw base on the workpiece

2. Align cutting edge of the blade with the line on your workpiece
3. Start the saw and move it forward on the work surface.

### Plunge cutting

1. Make the line of cut clearly on the workpiece.
2. Set the cutting blade at 0.
3. Put the front of the saw base on the workpiece
4. Use high speed to start the machine and slowly lower the blade into the workpiece until the blade cuts through the wood.

### **▲** WARNING

To decrease the risk of injury, keep hands away from the blade and all moving parts. Always wear safety gloves or glasses with side shields.

## 8 MAINTENANCE

### **▲** CAUTION

Do not let brake fluids, gasoline, petroleum-based materials touch the plastic parts. Chemicals can cause damage to the plastic, and make the plastic unserviceable.

### **▲** CAUTION

Do not use strong solvents or detergents on the plastic housing or components.

### **▲** WARNING

Remove the battery pack from the machine before maintenance.

## 8.1 CLEAN THE MACHINE

### **▲** CAUTION

The machine must be dry. Humidity can cause risks of electrical shocks.

- Clear the unwanted material out of the air vent with a vacuum cleaner.
- Do not spray the air vent or put the air vent in solvents.
- Clean the housing and the plastic components with a moist and soft cloth.

## 9 TECHNICAL DATA

Voltage	24 V
Motor	Brushless
Length Of Stroke	1" (25.4 mm)
Strokes Per Minute	0-3000 min <sup>-1</sup>
Cutting Angle	0-45°
Orbital Motion	4 settings

Blade Changing	Tool-Free
Weight Without Battery	4.9 lbs (2.2 kg)
Battery Model	BAG711 and other BAG series
Charger Model	CAG801 and other CAG series

#### The recommended ambient temperature range:

Item	Temperature
Appliance storage temperature range	32°F (0°C) - 113°F (45°C)
Appliance operation temperature range	32°F (0°C) - 113°F (45°C)
Battery charging temperature range	39°F (4°C) - 104°F (40°C)
Charger operation temperature range	39°F (4°C) - 104°F (40°C)
Battery storage temperature range	32°F (0°C) - 113°F (45°C)
Battery discharging temperature range	32°F (0°C) - 113°F (45°C)

## 10 LIMITED WARRANTY



Greenworks hereby warrants this product, to the original purchaser with proof of purchase, for a period of three (3) years against defects in materials, parts or workmanship. Greenworks, at its own discretion will repair or replace any and all parts found to be defective, through normal use, free of charge to the customer. This warranty is valid only for units which have been used for personal use that have not been hired or rented for industrial/commercial use, and that have been maintained in accordance with the instructions in the owners' manual supplied with the product from new.

#### ITEMS NOT COVERED BY WARRANTY:

1. Any part that has become inoperative due to misuse, commercial use, abuse, neglect, accident, improper maintenance, or alteration; or
2. The unit, if it has not been operated and/or maintained in accordance with the owner's manual; or
3. Normal wear, except as noted below;

4. Routine maintenance items such as lubricants, blade sharpening;
5. Normal deterioration of the exterior finish due to use or exposure.

#### HELPLINE:

Warranty service is available by calling our toll-free helpline, at 1-888-909-6757.

#### TRANSPORTATION CHARGES:

Transportation charges for the movement of any power equipment unit or attachment are the responsibility of the purchaser. It is the purchaser's responsibility to pay transportation charges for any part submitted for replacement under this warranty unless such return is requested in writing by Greenworks.

#### USA address:

Greenworks Tools

P.O. Box 1238

Mooresville, NC 28115

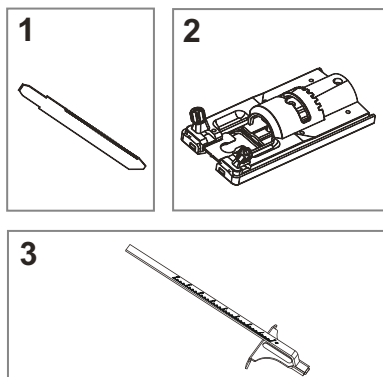
#### Canadian address:

Greenworks Tools Canada Inc.

P.O. Box 93095, Newmarket, Ontario

L3Y 8K3

## 11 EXPLODED VIEW



No.	Description	Qty
1	Blade	1
2	Plate	1
3	Ruler	1



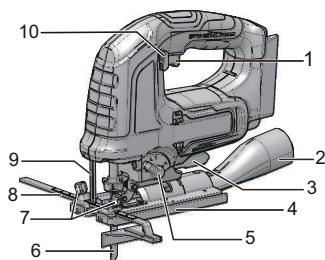
## 1 DESCRIPTION

### 1.1 BUT

Utilisez cet appareil pour des fins de coupe :

- couper tous types de bois
- couper du plastique
- couper des métaux

### 1.2 APERÇU



- |                                  |                            |
|----------------------------------|----------------------------|
| 1 Gâchette                       | 7 Poignée du guide de bord |
| 2 Tube                           | 8 Guide du coupe-herbe     |
| 3 Gâchette de réglage de l'angle | 9 Protège-doigts           |
| 4 Châssis                        | 10 Bouton de verrouillage  |
| 5 Levier de lame Orbit Selector  |                            |
| 6 Lame                           |                            |

### 1.3 LISTE DU CONTENU DE L'EMBALLAGE

- |                        |                     |
|------------------------|---------------------|
| 1 Scie sauteuse        | 5 Lame pour l'acier |
| 2 Tuyau à poussière    | 6 Châssis           |
| 3 Guide du coupe-herbe | 7 Manuel            |
| 4 Lame pour le bois    |                     |

## 2 AVERTISSEMENTS GÉNÉRAUX DE SÉCURITÉ DES OUTILS ÉLECTRIQUES

### ▲ AVERTISSEMENT

Lisez tous les avertissements de sécurité, toutes les instructions, illustrations et toutes spécifications fournis avec cet outil électrique. Le non-respect de ces instructions peut entraîner un choc électrique, un incendie et/ou des blessures graves.

Conservez tous les avertissements et instructions pour référence ultérieure.

Le terme « outil électrique » dans les avertissements se réfère à votre outil électrique alimenté (avec fil) ou à votre outil électrique (sans fil) fonctionnant sur BATTERIE.

## 2.1 SÉCURITÉ DE LA ZONE DE TRAVAIL

- **Gardez la zone de travail propre et bien éclairée.** Les endroits encombrés ou sombres favorisent les accidents.
- **N'utilisez pas les outils électriques dans des environnements explosifs, par exemple en présence de liquides, gaz ou poussières inflammables.** La mise en marche des outils électriques crée des étincelles qui peuvent enflammer la poussière ou les vapeurs.
- **Tenez les enfants et les curieux à l'écart lorsque vous utilisez un outil électrique.** Les distractions peuvent vous faire perdre le contrôle.

## 2.2 SÉCURITÉ ÉLECTRIQUE

- **Les prises de l'outil électrique doivent être compatibles avec la prise de courant. Ne modifiez jamais la prise d'aucune façon. N'utilisez pas d'adaptateur de prise avec des outils à prise de terre.** Des prises non modifiées et leurs prises de courant respectives réduisent les risques de choc électrique.
- **Évitez que le corps n'entre en contact avec des surfaces mises à la terre comme les tuyaux, les radiateurs, les cuisinières et les réfrigérateurs.** Il y a un risque accru de choc électrique si votre corps est en contact avec la terre.
- **N'exposez pas les outils électriques à des conditions humides ou mouillées.** L'eau qui pénètre dans un outil électrique augmente le risque de choc électrique.
- **N'abusez pas du cordon. N'utilisez jamais le câble pour porter, tirer ou débrancher l'outil.** Éloignez le cordon de la chaleur, de l'huile et des bords tranchants ou des pièces mobiles. Les cordons endommagés augmentent le risque d'un choc électrique.
- **Lorsque vous utilisez un outil électrique en extérieur, utilisez une rallonge de câble adaptée à l'usage en extérieur.** Utiliser un câble adapté à un usage en extérieur réduit le risque de choc électrique.
- **Si vous ne pouvez éviter d'utiliser l'outil dans un environnement humide, utilisez une alimentation protégée à courant différentiel.** Le respect de cette règle réduira le risque de chocs électriques.

## 2.3 SÉCURITÉS DES PERSONNES

- **Restez vigilant, soyez attentif à ce que vous faites et faites preuve de bon sens lorsque vous utilisez un outil électrique. N'utilisez pas l'appareil lorsque vous êtes fatigué, sous l'emprise de l'alcool ou de drogues ou après avoir pris des médicaments.** Un simple moment d'inattention lors de l'utilisation d'un outil électrique peut provoquer des blessures corporelles graves.
- **Utilisez des équipements de protection individuelle. Portez toujours des lunettes de protection.** L'utilisation d'équipements de protection adaptés aux conditions de travail (masque anti-poussières, chaussures de sécurité antidérapantes, casque et protections auditives etc.) permet de réduire les risques de blessures corporelles.

- Évitez tout démarrage accidentel. Assurez-vous que l'interrupteur est en position d'arrêt avant de brancher à la source d'alimentation et/ou le bloc-batterie et quand vous soulevez ou transportez l'appareil. *Transporter un outil électrique avec un doigt sur l'interrupteur ou le brancher sur une alimentation électrique alors que son interrupteur est en position marche favorise les accidents.*
- Retirez les clefs de réglage et de serrage avant de mettre l'outil en marche. *Une clef de réglage ou de serrage restée sur une pièce en rotation de l'outil électrique peut entraîner des blessures corporelles.*
- Ne vous penchez pas trop en avant. Gardez un bon équilibre en tout temps. *Ceci permet un meilleur contrôle de l'outil électrique dans des situations inattendues.*
- Habillez-vous correctement. Ne portez pas de vêtements amples ou de bijoux. Veillez à ne pas approcher vos cheveux, vos vêtements et vos gants des pièces en mouvement. *Les vêtements amples, les bijoux et les cheveux longs peuvent se prendre dans les pièces en mouvement.*
- Si un appareil est conçu pour être utilisé avec des dispositifs d'extraction et de récupération des poussières, veillez à ce que ces dispositifs soient bien raccordés et correctement utilisés. *L'utilisation de dispositifs de récupération des poussières permet de réduire les risques liés aux poussières.*
- Ne laissez pas l'habitude des fréquentes utilisations vous faire oublier et ignorer les principes de sécurité. *Une action négligente peut provoquer de graves blessures en une fraction de seconde.*

## 2.4 UTILISATION ET ENTRETIEN DES OUTILS ÉLECTRIQUES

- Ne forcez pas l'outil électrique. Utilisez l'outil électrique adapté à votre application. *L'outil électrique approprié fera mieux le travail et sera plus sécuritaire au rythme pour lequel il a été conçu.*
- N'utilisez pas l'outil électrique si l'interrupteur ne le met pas en marche ou à l'arrêt. *Tout outil électrique qui ne peut pas être contrôlé avec l'interrupteur est dangereux et doit être réparé.*
- Débranchez la prise de la source d'alimentation et/ou de la batterie avant d'effectuer des réglages, de changer des accessoires ou de ranger l'outil électrique. *De telles mesures de sécurité préventives réduisent le risque d'un démarrage accidentel de l'outil électrique.*
- Rangez les outils électriques inutilisés hors de portée des enfants et ne laissez pas des personnes qui se sont familiarisées avec l'outil électrique ou ces instructions l'utiliser. *Les outils électriques sont dangereux entre les mains des utilisateurs non formés.*
- Entretenez les outils électriques et les accessoires. Vérifiez le désalignement des pièces mobiles ou la fixation des pièces mobiles, la cassure des pièces et toute autre condition qui pourrait affecter le fonctionnement de l'outil électrique. Si il est

endommagé, faites réparer l'outil électrique avant de l'utiliser. *De nombreux accidents sont causés par des outils électriques mal entretenus.*

- Garder les outils de coupe propres et tranchants. *Les outils de coupe bien entretenus avec des bords tranchants sont moins susceptibles de se coincer et sont plus faciles à contrôler.*
- Utilisez l'outil électrique, les accessoires, les mèches, etc. conformément à ces instructions, en tenant compte des conditions de travail et des travaux à effectuer. *L'utilisation de l'outil motorisé pour des opérations différentes de celles prévues pourrait entraîner une situation dangereuse.*
- Veillez à ce que les poignées restent propres, sèches et exemptes d'huile et de graisse. *Les poignées et surfaces de prise glissantes ne permettent pas de manipuler et de contrôler l'outil dans des situations inattendues.*

## 2.5 UTILISATION ET ENTRETIEN DE L'OUTIL SUR BATTERIE

- Rechargez uniquement avec le chargeur spécifié par le fabricant. *Un chargeur adapté à un type de batterie peut créer un risque d'incendie lorsqu'il est utilisé avec une autre batterie.*
- Utilisez les outils électriques uniquement avec des batteries spécialement conçues à cet effet. *L'utilisation de toutes autres batteries peut créer un risque de blessure et d'incendie.*
- Lorsque la batterie n'est pas utilisée, éloignez-la des autres objets métalliques tels qu'attaches trombones, pièces de monnaie, clés, clous, vis ou autres petits objets métalliques qui peuvent établir une connexion d'une borne à une autre. *Le court-circuitage des bornes de la batterie peut provoquer des brûlures ou un incendie.*
- Dans des conditions abusives, du liquide peut être éjecté de la batterie ; évitez tout contact. En cas de contact accidentel, rincez abondamment avec du savon et de l'eau. En cas de contact du liquide avec les yeux, consultez immédiatement un médecin. *Le liquide s'échappant des batteries peut causer des irritations ou des brûlures.*
- N'utilisez pas une batterie ou un outil endommagé ou modifié. *Les batteries endommagées ou modifiées peuvent présenter un fonctionnement imprévisible et provoquer un incendie, une explosion ou un risque de blessure.*
- N'exposez pas un bloc-batterie ou un outil au feu ou à une température excessive. *L'exposition au feu ou une température supérieure à 130 °C peut provoquer une explosion.*
- Suivez toutes les instructions de recharge et ne rechargez pas la batterie ou l'outil en dehors de la plage de température spécifiée dans ces instructions. *Un rechargement incorrect ou à des températures en dehors de la plage spécifiée peut endommager la batterie et augmenter le risque d'incendie.*

## 2.6 SERVICE

- **Faites effectuer l'entretien de votre outil électrique par un réparateur qualifié en n'utilisant que des pièces de rechange identiques.** Cela garantira le maintien de la sécurité de l'outil électrique.
- **Ne réparez jamais un bloc-batterie endommagé.** L'entretien d'un bloc-batterie ne doit être effectué que par le fabricant ou des fournisseurs de service agréés.

## 2.7 RÈGLES SPÉCIFIQUES DE SÉCURITÉ







- **Maintenez l'outil par ses surfaces isolées lorsque vous accomplissez une tâche où l'accessoire de coupe pourrait entrer en contact avec un câblage invisible ou son propre câble.** Les fixations en contact avec un câble sous tension peuvent exposer des parties métalliques de l'outil et pourraient causer un choc électrique.
- **Utilisez des pinces ou autres pour sécuriser et maintenir la pièce stable.** En tenant la pièce à travailler à la main ou contre vous, celle-ci est instable et peut engendrer une perte de contrôle.
- **Connaissez bien votre outil. Lisez attentivement le manuel de l'opérateur.** Apprenez les applications et les limites de cet outil électrique, ainsi que les risques potentiels qui y sont associés. Suivre les instructions réduit le risque de choc électrique, d'incendie ou de blessures graves.
- **Portez toujours des lunettes de sécurité dont les écrans latéraux sont conformes à la norme ANSI Z87.1.** Suivre cette instruction réduit le risque de blessure grave.
- **Protégez vos poumons. Utilisez un masque facial ou un masque anti-poussière si l'opération est poussiéreuse.** Suivre cette instruction réduit le risque de blessure grave.
- **Protégez vos oreilles. Portez un dispositif de protection anti-bruit pendant les périodes d'utilisation prolongées.** Suivre cette instruction réduit le risque de blessure grave.
- **Les outils à batterie ne doivent pas être branchés à une prise de courant, par conséquent ils sont toujours opérationnels. Soyez conscient des dangers possibles lorsque vous n'utilisez pas votre outil à batterie ou lorsque vous changez d'accessoires.** Suivre ces instructions réduit le risque de choc électrique, d'incendie ou de blessures graves.
- **Ne placez pas les outils à piles ou leurs piles à proximité d'un feu ou d'une source de chaleur.** Cela réduira le risque d'explosion et d'éventuelles blessures.
- **Ne pas écraser, faire tomber ou abîmer le bloc-batterie. N'utilisez pas un bloc-batterie ou un chargeur qui et tombé ou qui a reçu des coups.** Une batterie abîmée pourrait exploser. Débarrassez-vous immédiatement d'une batterie qui est tombée ou abîmée.
- **Les batteries peuvent exploser en présence d'une source d'allumage, telle qu'un témoin lumineux. Pour réduire les risques de blessure grave, n'utilisez jamais un produit sans fil tout près d'une flamme.** Une






batterie qui explose peut propulser des déchets et des substances chimiques. Si vous êtes exposé, rincez immédiatement à l'eau.

- **Ne chargez pas l'outil sur batterie dans un endroit humide ou mouillé.** Suivre cette instruction réduit le risque de choc électrique grave.
- **Pour un meilleur rendement, votre batterie devrait être chargée dans des endroits où la température est au-dessus de 10°C (50°F) mais inférieure à 37,7°C (100°F).** Pour réduire le risque de blessure grave, ne la rangez pas dehors ou dans un véhicule.
- **Dans des conditions extrêmes d'utilisation ou de température, des fuites de batterie peuvent se produire.** Si le liquide entre en contact avec votre évier, lavez immédiatement avec de l'eau et du savon. Si vous recevez du liquide dans les yeux, rincez-les à l'eau claire durant au moins 10 minutes, puis appelez un médecin. Suivre cette instruction réduit le risque de blessure grave.
- **Conservez ces instructions. Consultez-les fréquemment et utilisez-les pour former d'autres utilisateurs qui pourraient utiliser ce cultivateur.** Si vous empruntez cet outil à quelqu'un, prêtez-lui aussi ces instructions pour éviter une mauvaise utilisation de la machine et d'éventuelles blessures.

## 3 SYMBOLES FIGURANT SUR LA MACHINE




Certains des symboles suivants peuvent être utilisés sur cet outil. Veuillez les étudier et apprendre leur signification. Une bonne interprétation de ces symboles vous permettra de mieux utiliser l'outil et de manière plus sécuritaire.

Symbole	Explication
V	Volts
min <sup>-1</sup>	Vitesse sans tare
	Courant direct
	Alerte de sécurité
	Lisez et comprenez toutes les instructions avant d'utiliser cette machine, et suivez tous les avertissements et les consignes de sécurité.
	Portez un casque anti-bruit.
	Portez des protections oculaires
	Ne pas exposer la machine à la pluie ou à l'humidité.

Symbole	Explication
	Portez un masque anti-poussière
	Symbole pas de mains
	Symbole pas de mains
	Symbole pas de mains
	Surface chaude

## 4 NIVEAUX DE RISQUES

Les termes de mise en garde suivants et leur signification ont pour but d'expliquer les niveaux de risques associés à l'utilisation de ce produit.

SYM-BOLE	SIGNAL	SIGNIFICATION
	DANGER	Indique une situation dangereuse imminente qui, si elle n'est pas évitée, peut entraîner la mort ou des blessures graves.
	AVERTISSEMENT	Indique une situation potentiellement dangereuse qui, si elle n'est pas évitée, peut entraîner la mort ou des blessures graves.
	MISE EN GARDE	Indique une situation potentiellement dangereuse qui, si elle n'est pas évitée, pourrait causer des blessures mineures ou modérées.
	MISE EN GARDE	(Sans symbole d'alerte de sécurité) indique une situation pouvant entraîner des dommages matériels.

## 5 PROPOSITION 65

### ▲ AVERTISSEMENT

Ce produit contient un produit chimique connu dans l'état de Californie comme étant une cause de cancer, de malformations congénitales ou d'autres problèmes de reproduction. Certaines poussières produites par le ponçage mécanique, le sciage, le meulage, le perçage et d'autres activités de construction contiennent des produits chimiques connus pour causer le cancer, des malformations congénitales ou d'autres problèmes de reproduction. Voici quelques exemples de ces produits chimiques :

- Plomb provenant de peintures à base de plomb;
- Silice cristalline provenant de briques, de ciment et d'autres produits de maçonnerie;
- Arsenic et chrome provenant de bois traité chimiquement.

Votre risque d'exposition à ces produits chimiques varie selon la fréquence à laquelle vous faites ce type de travail. Pour réduire votre exposition à ces produits chimiques, travaillez dans un endroit bien ventilé et utilisez un équipement de sécurité approuvé, comme des masques anti-poussière spécialement conçus pour filtrer les particules microscopiques.

**Conservez ces instructions**

## 6 INSTALLATION

### 6.1 DÉBALLEZ LA MACHINE

#### ▲ AVERTISSEMENT

Assurez-vous d'assembler correctement la machine avant de l'utiliser.

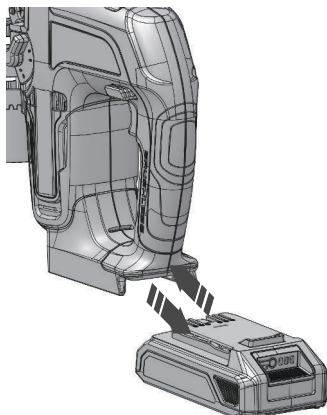
#### ▲ AVERTISSEMENT

- Si les pièces sont endommagées, n'utilisez pas la machine.
- Si vous n'avez pas toutes les pièces, n'utilisez pas la machine.
- Si les pièces sont endommagées ou manquantes, communiquez avec le centre de service.

1. Ouvrez l'emballage.
2. Lisez la documentation contenue dans la boîte.
3. Retirez toutes les pièces non assemblées de la boîte.
4. Retirez la machine de sa boîte.
5. Jetez la boîte et l'emballage en respectant les règlements locaux.



## 6.2 INSTALLEZ LA BATTERIE



### ▲ AVERTISSEMENT

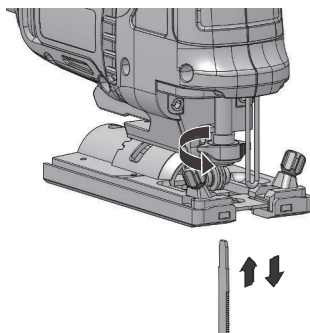
- Si la batterie ou le chargeur est endommagé, remplacez-le, au besoin.
- Arrêtez la machine et attendez que le moteur s'arrête avant d'installer ou de retirer la batterie.
- Lisez, comprenez et suivez les instructions du manuel de la batterie et du chargeur.

1. Alignez les languettes de la batterie avec les rainures du compartiment de batterie.
2. Poussez la batterie dans le compartiment de batterie jusqu'à ce qu'elle soit bien encliquetée.
3. Vous devriez entendre un clic lorsque la batterie sera insérée correctement.

## 6.3 RETIREZ LA BATTERIE

1. Poussez et maintenez enfoncé le bouton de déblocage de la batterie.
2. Retirez la batterie de la machine.

## 6.4 INSTALLEZ LA LAME

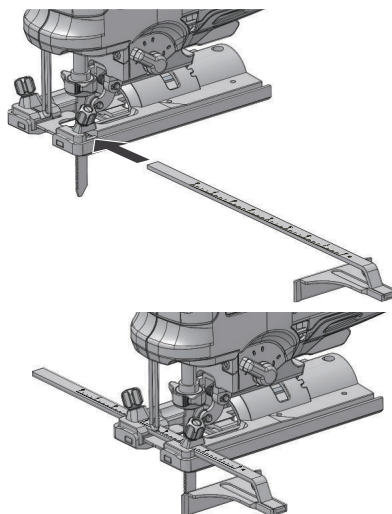


1. Tournez le verrou de la lame dans le sens inverse des aiguilles d'une montre. Maintenez le verrou en position ouverte.
2. Insérez la lame de la scie entre la pince de lame et la barre de scie.
3. Fermez le verrou de la lame.

## 6.5 RETIREZ LA LAME

1. Tournez le verrou de la lame dans le sens inverse des aiguilles d'une montre. Maintenez le verrou en position ouverte.
2. Retirez la lame.

## 6.6 INSTALLEZ LE GUIDE DE BORD



1. Desserrez les boutons de guidage.
2. Installez les guidages de chaque côté comme requis.
3. Réglez les guidages comme requis.
4. Serrez les boutons de guidage.

## 7 UTILISATION

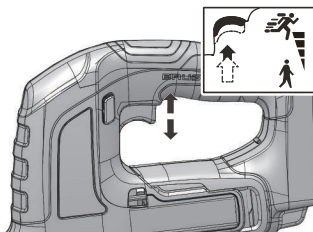
### ▲ AVERTISSEMENT

Portez toujours des lunettes de protection.

### ▲ AVERTISSEMENT

N'utilisez pas d'autres pièces ou d'accessoires non recommandés par le fabricant de ce produit.

## 7.1 DÉMARREZ LA MACHINE



### **i** REMARQUE

La machine ne peut pas fonctionner lorsque le bouton de verrouillage est au centre.

1. Appuyez sur le bouton de verrouillage vers la gauche ou la droite pour déverrouiller la gâchette.
2. Tirez sur la gâchette pour démarrer la machine.

### Vitesse variable

La machine est équipée d'un commutateur à vitesse variable qui produit une vitesse plus élevée avec une pression de déclenchement plus élevée et une vitesse plus basse avec une pression de déclenchement réduite.

## 7.2 ARRÊTEZ LA MACHINE

1. Relâchez la gâchette pour arrêter la machine.

### **▲** AVERTISSEMENT

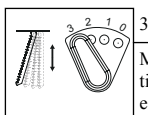
Relâchez la gâchette et laissez la machine s'arrêter complètement.

## 7.3 MOUVEMENT ORBITAL

Le mouvement orbital permet une coupe plus rapide et efficace.

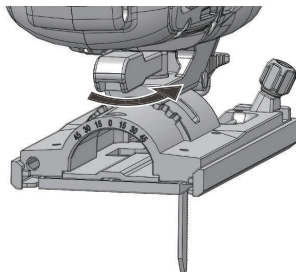
Choisissez parmi quatre position de réglage orbital pour une coupe agressive et parfaite.

	<p>0 Matériaux durs comme les métaux ou les tôles minces. Cette configuration peut être utilisée avec des lames de couteau, lames de gravier, râpe et lames inférieures de coupe.</p>
	<p>1 Matériaux mous où un travail de coupe plus propre et un passage délicat est effectué.</p>
	<p>2 Densité moyenne des matériaux tels que des bois plus durs ou des panneaux en aggloméré.</p>



Matériaux mous tels que le bois, le plastique, etc. et lorsque qu'une coupe rapide est plus importante qu'une coupe propre.

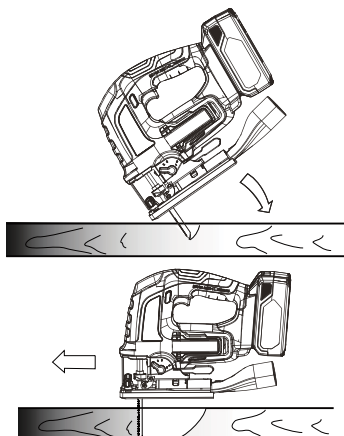
## 7.4 RÉGLEZ L'ANGLE DU CHÂSSIS



Le châssis peut être incliné pour permettre des coupes d'angles jusqu'à 45° dans les deux directions.

1. Poussez la gâchette vers la droite.
2. Réglez l'angle souhaité.
3. Placez la gâchette sur la position d'origine.

## 7.5 FAITES FONCTIONNER L'APPAREIL



### **i** REMARQUE

Pour un meilleur rendement, choisissez toujours une lame spécifique pour l'application souhaitée et le type de matériau que vous souhaitez couper.

### Coupe générale

1. Placez l'avant de la scie sur la pièce à couper

- Alignez la ligne de coupe de la lame sur la ligne de la pièce à couper
- Commencez la coupe et avancez sur la surface.

### Coupe plongeante

- Faites une ligne de coupe claire sur la pièce.
- Mettez la lame de coupe sur 0.
- Placez l'avant de la scie sur la pièce à couper
- Utilisez la vitesse élevée pour démarrer l'appareil et ralentissez peu à peu la lame dans la pièce jusqu'à ce que celle-ci coupe le bois.

### ▲ AVERTISSEMENT

Pour réduire le risque de blessures, maintenez les mains éloignées de la lame et des pièces en mouvement. Portez toujours des gants ou des lunettes de sécurité avec protection latérale.

## 8 ENTRETIEN

### ▲ ATTENTION

Évitez que les liquides de freins, l'essence et les matériaux à base de pétrole ne viennent en contact avec les pièces en plastique. Les produits chimiques peuvent endommager le plastique et le rendre inutilisable.

### ▲ ATTENTION

N'utilisez pas de solvants ou de détergents puissants sur le boîtier ou les composants en plastique.

### ▲ AVERTISSEMENT

Retirez le bloc-batterie de la machine avant l'entretien.

### 8.1 NETTOYEZ LA MACHINE

### ▲ ATTENTION

La machine doit être sèche. L'humidité peut provoquer des risques de chocs électriques.

- Enlevez les matières indésirables de l'évent d'air à l'aide d'un aspirateur.
- Ne vaporisez pas l'évent d'air et ne le plongez pas dans des solvants.
- Nettoyez le boîtier et les composants en plastique avec un chiffon doux et humide.

## 9 DONNÉES TECHNIQUES

Voltage	24 V
Moteur	Sans balais
Longueur de la course	1" (25.4 mm)
Courses par minute	0-3000 min <sup>-1</sup>
Angle de coupe	0-45°

Mouvement orbital	4 réglages
Changement de lame	Sans outils
Poids sans batterie	4.9 lb (2.2 kg)
Batterie modèle	BAG711 et autres séries BAG
Chargeur modèle	CAG801 et autres séries CAG

### La plage de température ambiante recommandée :

Article	Température
Plage de température d'entreposage de l'appareil	32°F (0°C) - 113°F (45°C)
Plage de température de fonctionnement de l'appareil	32°F (0°C) - 113°F (45°C)
Plage de température de rechargement de la batterie	39°F (4°C) - 104°F (40°C)
Plage de température de fonctionnement du chargeur	39°F (4°C) - 104°F (40°C)
Plage de température d'entreposage de la batterie	32°F (0°C) - 113°F (45°C)
Plage de température de déchargement de la batterie	32°F (0°C) - 113°F (45°C)

## 10 GARANTIE LIMITÉE



Greenworks garantit par la présente ce produit, à l'acheteur original avec preuve d'achat, pour une période de trois (3) ans contre tout défaut de matériaux, de pièces ou de main-d'œuvre. Greenworks, à sa propre discrétion, réparera ou remplacera toutes les pièces défectueuses, dans des conditions normales d'utilisation, sans frais pour le client. Cette garantie n'est valable que pour les appareils qui ont été utilisés à des fins personnelles, qui n'ont pas été loués à des fins industrielles ou commerciales et qui ont été entretenus conformément aux instructions du manuel du propriétaire fourni avec le produit neuf.

### ARTICLES NON COUVERTS PAR LA GARANTIE :

- Toute pièce qui est devenue inopérante en raison d'une mauvaise utilisation, d'une utilisation commerciale, d'un abus, d'une négligence, d'un accident, d'un entretien inapproprié ou d'une modification ; ou

2. L'appareil, s'il n'a pas été utilisé et/ou entretenu conformément au manuel du propriétaire ; ou
3. Usure normale, sauf comme indiqué ci-dessous ;
4. Articles d'entretien courant tels que lubrifiants, affûtage des lames ;
5. Détérioration normale du fini extérieur due à l'utilisation ou à l'exposition.

**ASSISTANCE TÉLÉPHONIQUE :**

Le service de garantie est disponible en appelant notre ligne d'assistance téléphonique sans frais, au 1-888-909-6757.

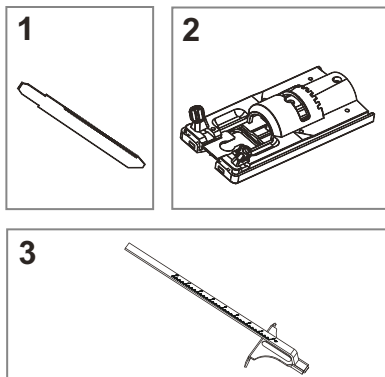
**FRAIS DE TRANSPORT :**

Les frais de transport pour le déplacement de tout équipement motorisé ou accessoire sont à la charge de l'acheteur. Il incombe à l'acheteur de payer les frais de transport pour toute pièce retournée pour remplacement en vertu de la présente garantie, à moins qu'un tel retour soit demandé par écrit par Greenworks.

**Adresse aux États-Unis : Adresse au Canada :**

Greenworks Tools	Greenworks Tools Canada Inc.
P.O. Box 1238	P.O. Box 93095, Newmarket, Ontario
Mooresville, NC 28115	L3Y 8K3

## 11 VUE ÉCLATÉES



No	Description	Qté
1	Lame	1
2	Disque	1
3	Règle	1

<b>1</b>	<b>Descripción.....</b>	<b>21</b>	<b>6</b>	<b>Instalación.....</b>	<b>24</b>
1.1	Finalidad.....	21	6.1	Desembalaje de la máquina.....	24
1.2	Perspectiva general.....	21	6.2	Instalación de la batería.....	25
1.3	Lista de embalaje.....	21	6.3	Retirada de la batería.....	25
<b>2</b>	<b>Advertencias generales de seguridad para herramientas eléctricas.....</b>	<b>21</b>	6.4	Instalación de la cuchilla.....	25
2.1	Seguridad de la zona de trabajo.....	21	6.5	Retirada de la cuchilla.....	25
2.2	Seguridad eléctrica.....	21	6.6	Instalación de la guía de borde.....	25
2.3	Seguridad personal.....	21	<b>7</b>	<b>Funcionamiento.....</b>	<b>25</b>
2.4	Utilización y cuidado de herramientas eléctricas.....	22	7.1	Puesta en marcha de la máquina.....	26
2.5	Utilización y cuidado de herramientas a batería.....	22	7.2	Detención de la máquina.....	26
2.6	Servicio.....	23	7.3	Movimiento orbital.....	26
2.7	Normas específicas de seguridad.....	23	7.4	Ajuste del ángulo de la placa de corte angular.....	26
<b>3</b>	<b>Símbolos en el producto.....</b>	<b>23</b>	7.5	Funcionamiento de la máquina.....	26
<b>4</b>	<b>Niveles de riesgo.....</b>	<b>24</b>	<b>8</b>	<b>Mantenimiento.....</b>	<b>27</b>
<b>5</b>	<b>Propuesta 65.....</b>	<b>24</b>	8.1	Limpieza de la máquina.....	27
			<b>9</b>	<b>Datos técnicos.....</b>	<b>27</b>
			<b>10</b>	<b>Garantía limitada.....</b>	<b>27</b>
			<b>11</b>	<b>Vista despiezada.....</b>	<b>28</b>

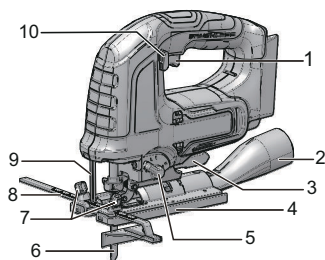
## 1 DESCRIPCIÓN

### 1.1 FINALIDAD

Puede utilizar este producto para cortar:

- corte de todo tipo de madera
- corte de plástico
- corte de metales

### 1.2 PERSPECTIVA GENERAL



- |  |                           |
|--|---------------------------|
| 1 Gatillo                                    | 6 Cuchilla                |
| 2 Tubo                                       | 7 Mandos de guía de borde |
| 3 Gatillo de ajuste de ángulo                | 8 Guía de borde           |
| 4 Placa de corte angular                     | 9 Protección de dedo      |
| 5 Palanca selectora de órbita de la cuchilla | 10 Botón de desbloqueo    |

### 1.3 LISTA DE EMBALAJE

- |                        |                          |
|------------------------|--------------------------|
| 1 Sierra de calar      | 5 Cuchilla de acero      |
| 2 Tubo para el polvo   | 6 Placa de corte angular |
| 3 Guía de borde        | 7 Manual                 |
| 4 Cuchilla para madera |                          |

## 2 ADVERTENCIAS GENERALES DE SEGURIDAD PARA HERRAMIENTAS ELÉCTRICAS

### ▲ AVISO

Lea todas las advertencias de seguridad, instrucciones, ilustraciones y especificaciones que se proporcionan con esta herramienta eléctrica. El incumplimiento de las instrucciones indicadas a continuación puede provocar descargas eléctricas, incendios o lesiones graves.

Guarde todas las advertencias e instrucciones para su consulta posterior.

El término "herramienta eléctrica" empleado en las advertencias se refiere a su herramienta eléctrica con funcionamiento de red (con cable) o herramienta eléctrica con funcionamiento a BATERÍA (inalámbrica).

### 2.1 SEGURIDAD DE LA ZONA DE TRABAJO

- **Mantenga limpia y bien iluminada la zona de trabajo.** *Las zonas desordenadas u oscuras fomentan los accidentes.*
- **No utilice herramientas eléctricas en atmósferas explosivas, como en la presencia de líquidos, gases o polvo que puedan inflamarse.** *Las herramientas eléctricas generan chispas que pueden encender el polvo o los gases.*
- **Mantenga alejados a los niños y los transeúntes mientras utilice una herramienta eléctrica.** *Las distracciones pueden hacer que pierda el control.*

### 2.2 SEGURIDAD ELÉCTRICA

- **Los enchufes de las herramientas eléctricas deben corresponder con la toma de corriente. Nunca modifique el enchufe en modo alguno. No utilice enchufes adaptadores con herramientas eléctricas conectadas a tierra.** *La utilización de enchufes no modificados y de tomas de corriente adecuadas reducirá el riesgo de descarga eléctrica.*
- **Evite el contacto del cuerpo con superficies conectadas a tierra, como tuberías, radiadores, estufas y refrigeradores.** *Existe un riesgo aumentado de descarga eléctrica si su cuerpo está conectado a tierra.*
- **No exponga las herramientas eléctricas a la lluvia o a condiciones de humedad.** *Si penetra agua en una herramienta eléctrica, aumentará el riesgo de descarga eléctrica.*
- **No abuse del cable. Nunca utilice el cable para transportar, tirar o desenchufar la herramienta eléctrica. Mantenga el cable alejado del calor, el aceite, los bordes afilados y las piezas móviles.** *Los cables dañados o enredados aumentan el riesgo de descarga eléctrica.*
- **Cuando utilice una herramienta eléctrica en exteriores, use un cable alargador adecuado para uso en exterior.** *La utilización de un cable adecuado para uso en exterior reduce el riesgo de descarga eléctrica.*
- **Si no es inevitable el uso de una herramienta eléctrica en un lugar húmedo, utilice un suministro protegido por un dispositivo de corriente residual (RCD).** *La utilización de un RCD reduce el riesgo de descarga eléctrica.*

### 2.3 SEGURIDAD PERSONAL

- **Manténgase alerta, observe lo que está haciendo y emplee el sentido común cuando utilice una herramienta eléctrica.** *No utilice una herramienta eléctrica mientras esté cansado o bajo la influencia de drogas, alcohol o medicamentos. Una falta de atención durante el uso de herramientas eléctricas puede provocar lesiones personales graves.*
- **Utilice protección personal. Lleve siempre protección ocular.** *Si se utilizan correctamente productos de*

protección como máscaras antipolvo, zapatos de seguridad antideslizantes, cascos o protecciones auditivas, se reducirán las lesiones personales.

- **Evite el arranque accidental.** Asegúrese de que el interruptor esté en la posición de apagado antes de conectar a la fuente de alimentación o a la batería y al coger o transportar la herramienta. *El transporte de herramientas eléctricas con el dedo en el interruptor o la conexión de herramientas eléctricas que tienen el interruptor activado fomenta los accidentes.*
- **Retire cualquier llave de ajuste antes de encender la herramienta eléctrica.** *Una llave que se quede fijada a una pieza giratoria de la herramienta eléctrica puede provocar lesiones personales.*
- **No se estire.** Mantenga en todo momento una postura adecuada y el equilibrio. *Esto permite un mejor control de la herramienta eléctrica en situaciones inesperadas.*
- **Lleve indumentaria adecuada.** No lleve ropa o joyas sueltas. Mantenga el cabello, la ropa y los guantes lejos de las piezas móviles. *La ropa suelta, las joyas o el cabello largo pueden quedar atrapados en las piezas móviles.*
- **Si se utilizan dispositivos para la conexión de sistemas de extracción y recogida de polvo,** asegúrese de que estén conectados y se utilicen correctamente. *La utilización de sistemas de recogida de polvo puede reducir los riesgos relacionados con el polvo.*
- **No permita que la familiaridad adquirida con el uso frecuente de las herramientas le permita ser confiado e ignoren los principios de seguridad de las herramientas.** *Una acción descuidada puede provocar lesiones graves en una fracción de segundo.*

## 2.4 UTILIZACIÓN Y CUIDADO DE HERRAMIENTAS ELÉCTRICAS

- **No fuerce la herramienta eléctrica.** Utilice la herramienta eléctrica correcta para su aplicación. *La herramienta eléctrica correcta hará el trabajo mejor y con mayor seguridad a la velocidad para la que se diseñó.*
- **No utilice la herramienta eléctrica si el interruptor no la enciende y la apaga.** *Cualquier herramienta eléctrica que no pueda controlarse con el interruptor es peligrosa y debe repararse.*
- **Desconecte el enchufe de la fuente de alimentación o la batería de la herramienta eléctrica antes de realizar ajustes, cambiar accesorios o almacenar herramientas eléctricas.** *Estas medidas de seguridad preventivas reducen el riesgo de que la herramienta eléctrica se arranque accidentalmente.*
- **Almacene las herramientas eléctricas inactivas fuera del alcance de los niños y no permita que personas que no estén familiarizadas con la herramienta eléctrica o estas instrucciones puedan utilizarla.** *Las herramientas eléctricas son peligrosas en manos de usuarios inexpertos.*

- **Mantenga las herramientas eléctricas y los accesorios.** Compruebe si hay desalineación o unión de las piezas móviles, rotura de piezas y cualquier otra condición que pueda afectar al funcionamiento de la herramienta eléctrica. Si ha sufrido daños, lleve a reparar la herramienta eléctrica antes del uso. *Numerosos accidentes se deben a herramientas eléctricas mal mantenidas.*
- **Mantenga limpias y afiladas las herramientas de corte.** *Las herramientas de corte mantenidas correctamente con filos cortantes tienen menos probabilidades de atascarse y son más fáciles de controlar.*
- **Utilice la herramienta eléctrica, los accesorios, las brocas, etc. de acuerdo con estas instrucciones, teniendo en cuenta las condiciones de trabajo y el trabajo a realizar.** *El uso de la herramienta eléctrica para operaciones distintas de las previstas podría dar lugar a una situación peligrosa.*
- **Mantenga las asas y las superficies de agarre secas, limpias y sin restos de aceite y grasa.** *Las asas y las superficies de agarre resbaladizas no permiten un manejo y control seguros de la herramienta en situaciones inesperadas.*

## 2.5 UTILIZACIÓN Y CUIDADO DE HERRAMIENTAS A BATERÍA

- **Recargue solo con el cargador especificado por el fabricante.** *Un cargador adecuado para un tipo de batería puede dar lugar a un riesgo de incendio cuando se usa con otra batería.*
- **Utilice las herramientas eléctricas únicamente con las baterías designadas específicamente.** *El uso de cualquier otra batería puede dar lugar a un riesgo de lesiones e incendio.*
- **Cuando la batería no esté en uso, manténgala alejada de otros objetos metálicos como clips, monedas, llaves, clavos, tornillos u otros objetos metálicos pequeños que puedan hacer una conexión entre los terminales.** *El cortocircuito de los terminales de la batería puede provocar quemaduras o incendios.*
- **Bajo condiciones abusivas, es posible que salga líquido despedido de la batería; evite el contacto.** Si se produce un contacto accidental, aclare con abundante agua y jabón. Si el líquido entra en contacto con los ojos, acuda al médico inmediatamente. *El líquido despedido de la batería puede provocar irritación o quemaduras.*
- **No utilice una batería o una herramienta que haya sufrido daños o modificaciones.** *Las baterías dañadas o modificadas pueden exhibir un comportamiento impredecible que puede dar lugar a un incendio, una explosión o un riesgo de lesiones.*
- **No exponga una batería o una herramienta al fuego ni a temperatura excesiva.** *La exposición al fuego o a una temperatura superior a 130 °C puede provocar una explosión.*

- **Siga todas las instrucciones de carga y no cargue la batería o la herramienta fuera del intervalo de temperatura especificado en las instrucciones. La carga incorrecta o a temperaturas fuera del intervalo especificado puede dañar la batería y aumentar el riesgo de incendio.**

## 2.6 SERVICIO

- **Solicite a un técnico de reparación cualificado que realice las tareas de servicio de su herramienta eléctrica utilizando únicamente piezas de repuesto idénticas. Esto garantizará el mantenimiento de la seguridad de la herramienta eléctrica.**
- **Nunca repare las baterías dañadas. La reparación de las baterías únicamente debe ser realizada por el fabricante o los proveedores de servicio técnico autorizados.**

## 2.7 NORMAS ESPECÍFICAS DE SEGURIDAD



- **Sujete la herramienta eléctrica solo por las superficies de agarre aisladas, antes de realizar una operación en la que el accesorio de corte pueda entrar en contacto con cableado oculto. Si el accesorio de corte entra en contacto con un cable "con corriente", esto puede hacer que las piezas metálicas expuestas de la herramienta eléctrica "tengan corriente" y podrían producir una descarga eléctrica al operario.**
- **Utilice abrazaderas u otra forma práctica de fijar y apoyar la pieza de trabajo sobre una plataforma estable. Sujetar la pieza de trabajo con la mano o contra su cuerpo genera inestabilidad y puede dar lugar a una pérdida de control.**
- **Debe conocer su herramienta eléctrica. Lea detenidamente el manual del operario. Aprenda sus aplicaciones y limitaciones, así como los riesgos potenciales específicos relacionados con esta herramienta eléctrica. Si respeta esta instrucción reducirá el riesgo de descargas, incendios o lesiones graves.**
- **Lleve siempre gafas de seguridad con protectores laterales marcadas para cumplir la ANSI Z87.1. Si respeta esta instrucción reducirá el riesgo de lesiones graves.**
- **Proteja sus pulmones. Lleve una máscara facial o antipolvo si se levanta polvo durante el funcionamiento. Si respeta esta instrucción reducirá el riesgo de lesiones graves.**
- **Proteja sus oídos. Lleve protección auditiva durante periodos prolongados de funcionamiento. Si respeta esta instrucción reducirá el riesgo de lesiones graves.**
- **Las herramientas a batería no tienen que estar enchufadas en una toma eléctrica; por tanto, siempre están en condiciones de funcionamiento. Esté atento a posibles riesgos cuando no utilice su herramienta a batería o al cambiar accesorios. Si sigue esta**

*instrucción reducirá el riesgo de descarga eléctrica, incendio o lesiones graves.*

- **No coloque las herramientas a batería o sus baterías cerca del fuego o el calor. Esto reducirá el riesgo de explosión y posibles lesiones.**
- **No aplaste, deje caer ni dañe la batería. No utilice una batería o un cargador que se haya caído o recibido un golpe fuerte. Una batería dañada podría explotar. Deseche inmediatamente y de forma adecuada una batería caída o dañada.**
- **Las baterías pueden explotar en presencia de una fuente de ignición, como una luz piloto. Para reducir el riesgo de lesiones graves, nunca utilice un producto inalámbrico en presencia de una llama abierta. La explosión de una batería puede propulsar desechos y productos químicos. En caso de exposición, lave con agua inmediatamente.**
- **No cargue la herramienta a batería en un lugar húmedo o mojado. Si respeta esta instrucción reducirá el riesgo de descarga eléctrica.**
- **Para obtener los mejores resultados, su herramienta a batería debe cargarse en un lugar donde la temperatura sea superior a 10°C (50°F) pero inferior a 37,7°C (100°F). Para reducir el riesgo de lesiones graves, no almacene en exterior ni en vehículos.**
- **En condiciones de uso o temperaturas extremas, pueden producirse fugas de la batería. Si el líquido entra en contacto con la piel, lave inmediatamente con jabón y agua. Si le entra líquido en los ojos, lávelos con agua limpia durante al menos 10 minutos, a continuación, busque atención médica de inmediato. Si respeta esta instrucción reducirá el riesgo de lesiones graves.**
- **Conserve estas instrucciones. Consúltelas con frecuencia y utilícelas para instruir a otras personas que puedan utilizar esta herramienta. Si presta esta herramienta a otra persona, déjele también estas instrucciones para evitar un uso incorrecto de la máquina y posibles lesiones.**

## 3 SÍMBOLOS EN EL PRODUCTO

En esta herramienta pueden utilizarse algunos de los siguientes símbolos. Le rogamos que los estudie y aprenda su significado. La interpretación correcta de estos símbolos le permitirá manejar la herramienta mejor y de manera más segura.

Símbolo	Explicación
V	Voltios
min <sup>-1</sup>	Velocidad sin carga
	Corriente continua
	Alerta de seguridad



ES

Símbolo	Explicación
	Debe leer y entender todas las instrucciones antes de manejar el producto, así como seguir todas las advertencias e instrucciones de seguridad.
	Lleve protección auditiva.
	Lleve protección ocular.
	No exponga el producto a la lluvia o a condiciones de humedad.
	Lleve una máscara antipolvo.
	Símbolo No tocar
	Símbolo No tocar
	Símbolo No tocar
	Símbolo No tocar
	Superficie caliente

## 4 NIVELES DE RIESGO

Las siguientes indicaciones y significados tienen como fin explicar los niveles de riesgo asociados a este producto.

SÍMBOLO	INDICACIÓN	SIGNIFICADO
	PELIGRO	Indica una situación de peligro inminente que, de no evitarse, provocará lesiones graves o incluso la muerte.
	ADVERTENCIA	Indica una situación de peligro potencial que, de no evitarse, podría provocar lesiones graves o incluso la muerte.
	PRECAUCIÓN	Indica una situación de peligro potencial que, de no evitarse, puede provocar lesiones leves o moderadas.
	PRECAUCIÓN	(Sin símbolo de alerta sobre seguridad) Indica una situación que puede provocar daños materiales.

## 5 PROPUESTA 65

### ▲ AVISO

Este producto contiene una sustancia química conocida en el estado de California como causante de cáncer, defectos de nacimiento u otros daños reproductivos. El polvo generado por el lijado eléctrico, el serrado, el esmerilado, la perforación y otras actividades de construcción contiene sustancias químicas que se sabe que son causantes de cáncer, defectos de nacimiento u otros daños reproductivos. Algunos ejemplos de estas sustancias químicas son:

- Plomo de pinturas con base de plomo;
- Sílice cristalina de ladrillos y cemento y otros productos de albañilería;
- Arsénico y cromo de la madera tratada químicamente.

El riesgo de exposición a estas sustancias químicas varía según la frecuencia con la que realice este tipo de trabajo. Para reducir su exposición a estas sustancias químicas, trabaje en una zona bien ventilada y trabaje con equipos de seguridad aprobados, como máscaras antipolvo, que estén especialmente diseñadas para filtrar partículas microscópicas.

**Conserve estas instrucciones.**

## 6 INSTALACIÓN

### 6.1 DESEMBALAJE DE LA MÁQUINA

#### ▲ AVISO

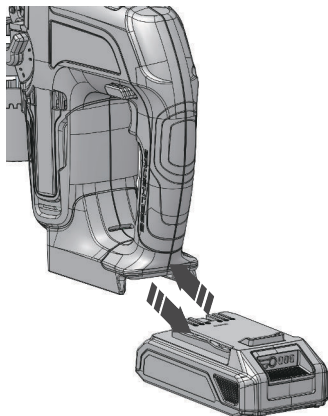
Asegúrese de montar correctamente la máquina antes del uso.

#### ▲ AVISO

- Si las piezas presentan daños, no utilice la máquina.
- Si no tiene todas las piezas, no utilice la máquina.
- Si faltan piezas o hay piezas dañadas, hable con el centro de servicio.

1. Abra el embalaje.
2. Lea la documentación que se encuentra en la caja.
3. Retire todas las piezas sin montar de la caja.
4. Retire la máquina de la caja.
5. Deseche la caja y el embalaje de conformidad con los reglamentos locales.

## 6.2 INSTALACIÓN DE LA BATERÍA



### ▲ AVISO

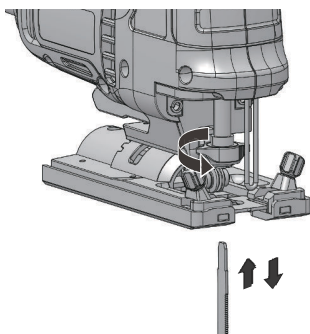
- Si la batería o el cargador ha sufrido daños, sustituya la batería o el cargador.
- Detenga la máquina y espere hasta que el motor se pare antes de instalar o retirar la batería.
- Debe leer, conocer y seguir las instrucciones del manual de la batería y el cargador.

1. Alinee las nervaduras de elevación de la batería con las ranuras del compartimento de la batería.
2. Introduzca la batería en el compartimento de la batería hasta que encaje en su posición.
3. Cuando escuche un clic, la batería está instalada.

## 6.3 RETIRADA DE LA BATERÍA

1. Pulse y mantenga pulsado el botón de desbloqueo de la batería.
2. Retire la batería de la máquina.

## 6.4 INSTALACIÓN DE LA CUCHILLA

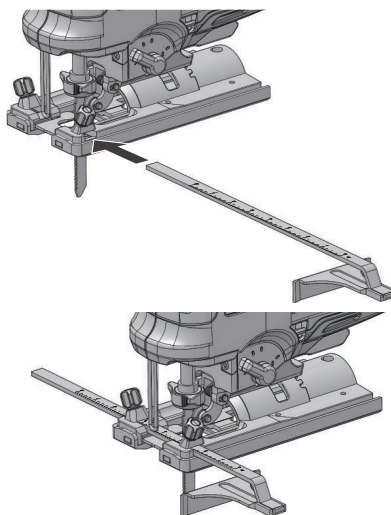


1. Gire el bloqueo de la abrazadera de la cuchilla en sentido antihorario. Mantenga el bloqueo en la posición abierta.
2. Inserte la cuchilla de la sierra entre la abrazadera de la cuchilla y la barra de la sierra.
3. Cierre el bloqueo de la abrazadera de la cuchilla.

## 6.5 RETIRADA DE LA CUCHILLA

1. Gire el bloqueo de la abrazadera de la cuchilla en sentido antihorario. Mantenga el bloqueo en la posición abierta.
2. Saque la cuchilla.

## 6.6 INSTALACIÓN DE LA GUÍA DE BORDE



1. Afloje los mandos de la guía de borde.
2. Instale la guía de borde a cada lado según sea necesario.
3. Ajuste la guía de borde según sea necesario.
4. Apriete los mandos de guía de borde.

## 7 FUNCIONAMIENTO

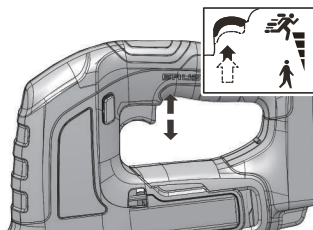
### ▲ AVISO

Lleve siempre protección ocular.

### ▲ AVISO

No utilice ningún accesorio no recomendado por el fabricante de este producto.

## 7.1 PUESTA EN MARCHA DE LA MÁQUINA



### ¡ NOTA

La máquina no puede funcionar cuando el botón de desbloqueo está en el centro.

1. Empuje el botón de desbloqueo hacia la izquierda o la derecha para desbloquear el gatillo.
2. Apriete el gatillo para encender la máquina.

### Velocidad variable

La máquina tiene un interruptor de velocidad variable que ofrece mayor velocidad con mayor presión del gatillo y menor velocidad con menor presión de gatillo.

## 7.2 DETENCIÓN DE LA MÁQUINA

1. Suelte el gatillo para apagar la máquina.

### ▲ AVISO

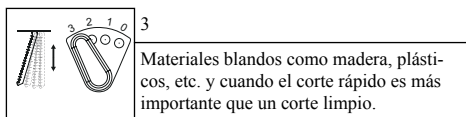
Suelte el gatillo y deje que la máquina se detenga por completo.

## 7.3 MOVIMIENTO ORBITAL

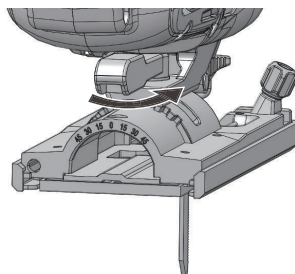
El movimiento orbital proporciona un corte más rápido y eficiente.

Elija entre cuatro posiciones de ajuste orbital para cortes de finos a agresivos.

	0	Materiales duros como metales o láminas metálicas finas. Este ajuste puede utilizarse con cuchillas, cuchillas de borde dentado, trabajos de raspado y cuchillas de corte descendente.
	1	Materiales blandos donde se realiza un corte más limpio o un trabajo de desplazamiento delicado.
	2	Materiales de densidad media, como maderas más duras o tableros de partículas.



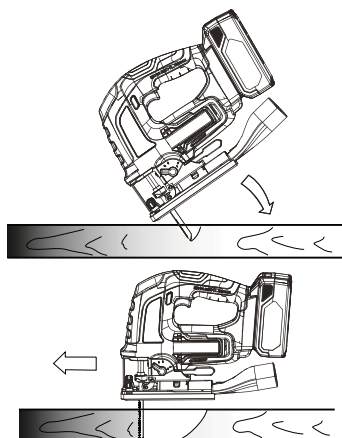
## 7.4 AJUSTE DEL ÁNGULO DE LA PLACA DE CORTE ANGULAR



La placa de corte angular puede inclinarse para permitir cortes en ángulo de hasta 45° en cualquier dirección.

1. Lleve al gatillo a la derecha.
2. Ajuste el ángulo según sea necesario.
3. Lleve al gatillo a la posición original.

## 7.5 FUNCIONAMIENTO DE LA MÁQUINA



### ¡ NOTA

Para obtener el mejor rendimiento, seleccione siempre una cuchilla específica para la aplicación en particular y el tipo de material que desea cortar.

Corte general

1. Coloque la parte frontal de la base de la sierra sobre la pieza de trabajo.
2. Alinee el borde de corte de la cuchilla con la línea sobre la pieza de trabajo.
3. Ponga en marcha la sierra y muévala hacia delante sobre la superficie de trabajo.

### Corte de inmersión

1. Marque la línea de corte claramente en la pieza de trabajo.
2. Ajuste la cuchilla de corte a 0.
3. Coloque la parte frontal de la base de la sierra sobre la pieza de trabajo.
4. Utilice la velocidad alta para poner en marcha la máquina y baje lentamente la cuchilla hacia la pieza de trabajo hasta que la cuchilla atraviese la madera.

### ▲ AVISO

Para disminuir el riesgo de lesiones, mantenga las manos alejadas de la cuchilla y de todas las piezas móviles. Lleve siempre guantes o gafas de seguridad con protectores laterales.

## 8 MANTENIMIENTO

### ▲ PRECAUCIÓN

No permita que líquidos de frenos, gasolina y otros derivados del petróleo toquen las piezas de plástico. Las sustancias químicas pueden dañar el plástico y hacer que quede inservible.

### ▲ PRECAUCIÓN

No utilice disolventes o detergentes fuertes en la carcasa o los componentes de plástico.

### ▲ AVISO

Retire la batería de la máquina antes de realizar tareas de mantenimiento.

### 8.1 LIMPIEZA DE LA MÁQUINA

### ▲ PRECAUCIÓN

La máquina debe estar seca. La humedad supone un riesgo de descargas eléctricas.

- Quite el material no deseado del respiradero con un aspirador.
- No pulverice el respiradero ni lo introduzca en disolventes.
- Limpie la carcasa y los componentes de plástico con un paño húmedo y suave.

## 9 DATOS TÉCNICOS

Tensión	24 V
---------	------

Motor	Sin escobillas
Longitud de carrera	1" (25.4) mm
Carreras por minuto	0-3000 min <sup>-1</sup>
Ángulo de corte	0-45°
Movimiento orbital	4 ajustes
Cambio de cuchilla	Sin herramientas
Peso sin batería	4.9 lbs (2.2) kg
Modelo de batería	BAG711 y otras series BAG
Modelo de cargador	CAG801 y otras series CAG

### El intervalo de temperatura ambiente recomendado:

Elemento	Temperatura
Intervalo de temperatura de almacenamiento del aparato	32°F (0°C) - 113°F (45°C)
Intervalo de temperatura de funcionamiento del aparato	32°F (0°C) - 113°F (45°C)
Intervalo de temperatura de carga de la batería	39°F (4°C) - 104°F (40°C)
Intervalo de temperatura de funcionamiento del cargador	39°F (4°C) - 104°F (40°C)
Intervalo de temperatura de almacenamiento de la batería	32°F (0°C) - 113°F (45°C)
Intervalo de temperatura de descarga de la batería	32°F (0°C) - 113°F (45°C)

## 10 GARANTÍA LIMITADA



Por la presente Greenworks garantiza este producto, al comprador original con el comprobante de compra, durante un periodo de tres (3) años frente a defectos en materiales, piezas o mano de obra. A su entera discreción Greenworks reparará o sustituirá cualquiera y todas las piezas que resulten ser defectuosas, con un uso normal, sin coste alguno para el cliente. Esta garantía es válida únicamente para unidades que se hayan utilizado para uso personal que no han sido arrendadas o alquiladas para uso industrial/comercial y cuyo mantenimiento se ha realizado de acuerdo con las instrucciones del manual del propietario suministrado con el producto nuevo.

## ARTÍCULOS NO CUBIERTOS POR LA GARANTÍA:

1. Cualquier pieza que no funcione debido a mal uso, uso comercial, abuso, negligencia, accidente, mantenimiento inadecuado o alteración; o
2. La unidad, si no ha sido utilizada o mantenida de acuerdo con el manual del propietario; o
3. Desgaste normal, excepto en lo indicado a continuación;
4. Artículos de mantenimiento de rutina tales como lubricantes, afilado de cuchillas;
5. Deterioro normal del acabado exterior debido al uso o la exposición.

Nº	Descripción	Cant.
3	Regla	1

ES

## LÍNEA DE ASISTENCIA TELEFÓNICA:

Puede contactar con el servicio de garantía llamando a nuestra línea de asistencia telefónica gratuita, a 1-888-909-6757.

## COSTES DE TRANSPORTE:

Los costes de transporte por el desplazamiento de cualquier unidad o accesorio de equipos eléctricos son responsabilidad del comprador. Es responsabilidad del comprador pagar los costes de transporte de cualquier pieza enviada para su sustitución bajo esta garantía, a menos que dicha devolución sea solicitada por escrito por Greenworks.

### Dirección en EE.UU.:

Greenworks Tools  
P.O. Box 1238

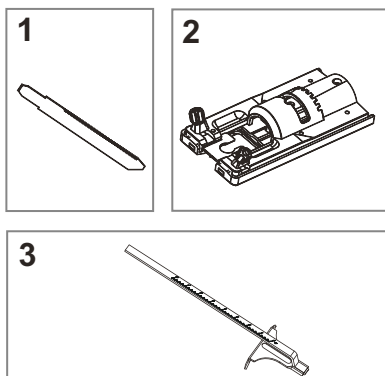
Mooresville, NC 28115

### Dirección en Canadá:

Greenworks Tools Canada Inc.  
P.O. Box 93095, Newmarket,  
Ontario

L3Y 8K3

## 11 VISTA DESPIEZADA



Nº	Descripción	Cant.
1	Cuchilla	1
2	Placa	1