

OPERATOR'S MANUAL

Zero-Turn Tractor Lapbar Controls

English	Page 1
Spanish (Español)	Page 32
French (Français).....	Page 68

Record Product Information

Before setting up and operating your new equipment, please locate the model plate on the equipment and record the information in the provided area to the right. You can locate the model plate by lifting up the seat and looking under the seat pan. This information will be necessary, should you seek technical support via our web site or with your local authorized service dealer.

Model Number

Serial Number

WARNING

Read and follow all safety rules and instructions in this manual before attempting to operate this machine.

Failure to comply with these instructions may result in personal injury - SAVE THESE INSTRUCTIONS.

WARNING

CALIFORNIA PROPOSITION 65

Engine Exhaust, some of its constituents, and certain vehicle components contain or emit chemicals known to the State of California to cause cancer and birth defects or other reproductive harm.

Battery posts, terminals, and related accessories contain lead and lead compounds, chemicals known to the State of California to cause cancer and reproductive harm. Wash hands after handling.

NOTE: This Operator's Manual covers several models. Features may vary by model. Not all features in this manual are applicable to all models and the model depicted may differ from yours.



SAFE OPERATION PRACTICES

WARNING



This symbol points out important safety instructions which, if not followed, could endanger the personal safety and/or property of yourself and others. Read and follow all instructions in this manual before attempting to operate this machine. Failure to comply with these instructions may result in personal injury. When you see this symbol, **HEED ITS WARNING!**

DANGER

This machine was built to be operated according to the safe operation practices in this manual. As with any type of power equipment, carelessness or error on the part of the operator can result in serious injury. This machine is capable of amputating fingers, hands, toes and feet, and throwing debris. Failure to observe the following safety instructions could result in serious injury or death.

GENERAL INFORMATION

1. Read, understand, and follow all instructions on the tractor and in the manual(s) before attempting to assemble and operate. Keep this manual in a safe place for future and regular reference and for ordering replacement parts.
2. Be familiar with all controls and their proper operation. Know how to stop the tractor and disengage them quickly.
3. Never allow children under 14 years of age to operate this tractor. Children 14 and over should read and understand the instructions and safe operation practices in this manual and on the tractor and should be trained and supervised by an adult.
4. Never allow adults to operate this tractor without proper instruction.
5. If situations occur which are not covered in this manual, use care and good judgment. Contact your customer service representative for assistance.
6. According to the U.S. Consumer Products Safety Commission (CPSC) and the U.S. Environmental Protection Agency (EPA), this product has an estimated useful life of seven (7) years, under ordinary use conditions. At the end of its useful life, have the product inspected annually to ensure all mechanical and safety systems are operating properly, safely, and are not worn excessively. Failure to do so may result in accident, injury, or death.

PREPARATION BEFORE OPERATING

1. Thoroughly inspect the area where the tractor is to be used. Remove all stones, sticks, wire, bones, toys, and other foreign objects which could be picked up and thrown by the blade(s). Thrown objects can cause serious personal injury.
2. To help avoid blade contact or a thrown object injury, keep helpers at least 75' (23 meters) from the tractor while it is in operation. Keep bystanders, children, and pets inside during operation. Stop tractor if anyone enters the area.
3. Be aware of the tractor discharge direction and do not point it at anyone.
4. Always wear safety glasses or safety goggles during operation and while performing an adjustment or repair to protect your eyes. Thrown objects which ricochet can cause serious injury to the eyes.
5. Wear sturdy, rough-soled work shoes and close-fitting slacks and shirts. Loose fitting clothes, jewelry, and long hair can be caught in moving parts. Never operate this tractor in bare feet or sandals.

6. Never over fill fuel tank. Fill tank to no more than 1/2" (13 mm) below bottom of filler neck to allow space for fuel expansion.
7. Replace gasoline cap and tighten securely.
8. Use only accessories and attachments approved for this tractor by the tractor manufacturer. Read, understand, and follow all instructions provided with the approved accessory or attachment.

OPERATING

1. Data indicates that operators, age 65 years and above, are involved in a large percentage of tractor-related injuries. These operators should evaluate their ability to operate the tractor safely enough to protect themselves and others from serious injury.
2. Disengage blade(s) and move the drive control levers fully outward to set the parking brake before attempting to start the engine.
3. Do not put hands or feet near rotating parts or under the cutting deck. Contact with the blade(s) can amputate hands and feet.
4. Watch for holes, ruts, bumps, rocks, or other hidden objects. Uneven terrain could overturn the tractor. Tall grass can hide obstacles.
5. Plan your mowing pattern to avoid discharge of material toward roads, sidewalks, helpers, and the like. Avoid discharging material against a wall or obstruction which may cause discharged material to ricochet back toward the operator.
6. Check overhead clearances carefully before driving under low hanging tree branches, wires, door openings, etc., where the operator may be struck or pulled from the tractor, which could result in serious injury.
7. Never leave a running tractor unattended. Always turn off blade(s), move drive control levers fully outward into park position, stop engine, and remove key before dismounting.
8. Disengage blade(s), move the drive control levers fully outward to set the parking brake, stop engine, and wait until the blade(s) come to a complete stop before removing grass catcher, emptying grass, removing any grass or debris, unclogging chute, or making any adjustments.
9. Your tractor is designed to cut normal residential grass of a height no more than 10" (25 cm). Do not attempt to mow through unusually tall, dry grass (e.g. pasture), or piles of dry leaves. Dry grass or leaves may contact the engine exhaust and/or build up on the tractor deck presenting a potential fire hazard.

SAFE OPERATION PRACTICES

10. Back up slowly. Always look down and behind before and while backing to avoid a back-over accident.
11. Never carry passengers.
12. Stay at least 10' (3 meters) from drop-offs, ditches, embankments, or the edge of water. The tractor could suddenly turn over if a wheel is over the edge of a cliff, ditch, or if an edge caves in.
13. A missing or damaged chute deflector can cause blade contact or thrown object injuries.
14. Do not operate the tractor without the chute deflector or entire grass catcher in its proper place.
15. Use extra care with grass catchers or other attachments. These can change the stability of the tractor. Always follow the attachment manufacturer's instructions.
16. Stop the blade(s) when crossing gravel drives, walks, or roads and while not cutting grass.
17. Watch for traffic when operating near or crossing roadways. This tractor is not intended for use on any public roadway.
18. Mow only in daylight or good artificial light.
19. Do not operate the tractor while under the influence of alcohol or drugs.
20. Slow down before turning. Operate the tractor smoothly. Avoid erratic operation and excessive speed.
21. The muffler and engine become very hot and can cause serious burn injuries. Do not touch. Allow the tractor to cool for five minutes before attempting any service.
22. Never run an engine indoors or in a poorly ventilated area. Engine exhaust contains carbon monoxide, an odorless and deadly gas.

CHILDREN

1. Tragic accidents can occur if the operator is not alert to the presence of children. Children are often attracted to the tractor and the mowing activity. They do not understand the dangers. Never assume that children will remain where you last saw them.
2. Keep bystanders, children, and pets inside during operation under the watchful care of a responsible adult other than the operator. Stop tractor if anyone enters the area.
3. Never carry children, even with the blade(s) shut off. They may fall off and be seriously injured or interfere with safe tractor operation. Children who have been given rides in the past could suddenly appear in the mowing area for another ride and be run over or backed over by the tractor.
4. Be alert and turn tractor off if a child or bystander enters the area.
5. To avoid back-over accidents, always look behind and down for small children.
6. Use extreme care when approaching blind corners, doorways, shrubs, trees, or other objects that may block your vision of a child who may run into the path of the tractor.
7. Never allow children under 14 years of age to operate this tractor. Children 14 and over should read and understand the instructions and safe operation practices in this manual and on the tractor and should be trained and supervised by an adult.

8. Do not allow any child to joy ride on the tractor. The tractor is not a toy or a go-cart. Warn your children that the tractor can be dangerous and they must stay away from it at all times.
9. Keep children away from hot or running engines. They can suffer burns from a hot muffler.
10. Remove key when tractor is unattended to prevent unauthorized operation. Make certain the key is inaccessible to small children.

SLOPE OPERATION

1. Slopes are a major factor related to loss of control and tip-over accidents which can result in severe injury or death. All slopes require extra caution. If you cannot back up the slope or if you feel uneasy on it, do not mow it.
2. For your safety, measure any slope before using the tractor on the sloped area. Use a slope measuring device in addition to the slope gauge included as part of this manual to measure slopes before operating this tractor on a sloped or hilly area. Smart phone applications can also be utilized to measure slopes. If the slope is greater than 15° (25%) as shown on the slope gauge or a slope measuring device, do not operate this tractor on that area or serious injury could result.
3. Do not mow on slopes greater than 15° (25%).
4. Do not mow up or down slopes, only mow across slopes that are less than 15° (25%). Use low speeds and avoid sudden turns.
5. Do not mow on wet grass. Reduced traction could cause sliding or a loss of control.
6. Do not operate tractor under any conditions where traction, steering or stability is in question. Tires could slide even if the wheels are stopped.
7. Avoid starting and stopping on slopes. Avoid making sudden changes in speed or direction. Make turns slowly and gradually.
8. Use extra care while operating tractor with grass catcher or other attachment(s). They can affect the stability of the tractor. Do not use grass catcher on slopes greater than 10° (17%).
9. Do not try to stabilize the tractor by putting your foot on the ground.
10. Keep all movement on the slopes slow and gradual. Do not make sudden changes in speed or direction. Rapid acceleration could cause the front of the tractor to lift and rapidly roll over backwards, which could cause serious injury or death.

SLOPE GAUGE (BACK COVER)

WARNING

Slopes are a major factor related to slip and fall accidents which can result in severe injury or death. All slopes require extra caution. If you feel uneasy on the slope, do not mow it. Do not mow on slopes greater than 15° (25%). Only mow across slopes, never mow up and down slopes.

USE THE SLOPE GAUGE ON THE BACK COVER AS SHOWN TO DETERMINE IF A SLOPE IS TOO STEEP FOR SAFE OPERATION!

SAFE OPERATION PRACTICES

To check the slope, proceed as follows:

1. Open manual to page and fold along the dashed line.
2. Locate a vertical object on or behind the slope (e.g. a pole, building, fence, tree, etc.).
3. Align either side of the slope gauge with the object.
4. Adjust gauge up or down until the left corner touches the slope.
5. If there is a gap below the gauge, the slope is too steep for safe operation.

FIRE & FUEL

1. To avoid personal injury or property damage use extreme care in handling gasoline. Gasoline is extremely flammable and the vapors are explosive. Serious personal injury can occur when gasoline is spilled on yourself or your clothes which can ignite. Wash your skin and change clothes immediately.
2. Extinguish all cigarettes, cigars, pipes, and other sources of ignition.
3. Use only an approved gasoline container.
4. Never remove gas cap or add fuel while the engine is hot or running. Allow engine to cool at least five minutes before refueling.
5. Never fuel tractor indoors.
6. Never store the tractor or fuel container inside where there is an open flame, spark, or pilot light as on a water heater, space heater, furnace, clothes dryer, or other gas appliances.
7. If gasoline is spilled, wipe it off the engine and equipment. Clean up oil or fuel spillage and remove any fuel soaked debris. Move tractor to another area. Wait five minutes before starting the tractor.
8. To reduce fire hazards, keep tractor free of grass, leaves, or other debris build-up. Follow the Post-Operation Tractor Care instructions in the Service and Maintenance section.
9. Your tractor is designed to cut normal residential grass of a height no more than 10" (25 cm). Do not attempt to mow through unusually tall, dry grass (e.g., pasture) or piles of dry leaves. Dry grass or leaves may contact the engine exhaust and/or build up on the tractor deck presenting a potential fire hazard.
10. Never over fill fuel tank. Fill tank to no more than 1/2" (13 mm) below bottom of filler neck to allow space for fuel expansion.
11. Replace gasoline cap and tighten securely. Do not operate without fuel cap in place.
12. Allow tractor to cool at least five minutes before fueling or storing.
13. Never fill containers inside a vehicle or on a truck or trailer bed with a plastic liner. Always place containers on the ground away from your vehicle before filling.
14. When practical, remove gas-powered equipment from the truck or trailer and refuel it on the ground. If this is not possible, then refuel such equipment on a trailer with a portable container, rather than from a gasoline dispenser nozzle.
15. Keep the nozzle in contact with the rim of the fuel tank or container opening at all times until fueling is complete. Do not use a nozzle lock-open device.

HAULING

1. Use properly secured full width ramps for loading and unloading a tractor for transport.
2. Use extra care when loading or unloading the tractor into a trailer or truck. This tractor should not be driven up or down ramp(s), because the tractor could tip over, causing serious personal injury. The tractor must be pushed manually on ramp(s) to load or unload properly.
3. Raise the deck to the highest position for loading clearance.

TOWING

1. Do not tow a load that exceeds 250 lbs (113 kg) rolling weight and never exceed 50 lbs (22 kg) tongue weight.
2. Do not attach towed equipment except at the hitch point of the tractor.
3. Never allow children or others in or on towed equipment.
4. Do not tow on slopes greater than 5° (9%). On slopes, the weight of the towed equipment may cause loss of traction and loss of control and/or the ability to stop.
5. Always use extra caution when towing with a tractor capable of making tight turns (e.g. "zero-turn" ride-on tractor). Make wide turns to avoid jack-knifing.
6. Travel slowly and allow extra distance to stop.

SERVICE

1. Keep tractor in good working order. Do not use the tractor until worn or damaged parts are replaced.
2. To avoid serious injury or death, do not modify engine in any way. Tampering with the governor setting can lead to a runaway engine and cause it to operate at unsafe speeds. Never tamper with factory setting of engine governor. Do not change the engine governor settings or over-speed the engine. The governor controls the maximum safe operating speed of the engine.
3. Tractor blades are sharp. Wrap the blade or wear gloves and use extra caution when servicing them.
4. Tractors with hydraulic pumps, hoses, or motors; and/or diesel injections systems have fluid systems under pressure. Fluid escaping under pressure may have sufficient force to penetrate skin and cause serious injury. If fluid is injected into the skin, seek immediate medical attention. Keep body and hands away from pin holes or nozzles that eject fluid under high pressure. If a leak occurs, have the tractor immediately serviced by an authorized dealer.
5. Before cleaning, repairing, or inspecting, make certain the blade(s) and all moving parts have stopped. Turn off the engine, remove the key, disconnect the spark plug wire(s), and ground against the engine to prevent unintended starting.
6. Check to make sure the blades come to a complete stop in not more than five seconds after disengaging the blade disengagement control per the schedule shown on the Maintenance Schedule chart in the Service and Maintenance section of this manual. Measure the stopping time with a stop watch. If the blades do not stop completely in less than five seconds, your tractor should be serviced professionally by an authorized dealer.

SAFE OPERATION PRACTICES

7. Check the safety interlock system for proper function per the schedule shown on the Maintenance Schedule chart in the Service and Maintenance section of this manual. If the safety interlock system does not function properly, have your tractor serviced professionally by an authorized dealer.
8. Never tamper with the safety interlock system or other safety devices. Check their proper operation regularly.
9. Check the blade(s) and engine mounting bolt torque in accordance to the Maintenance Schedule chart in this manual. Also, visually inspect blade(s) for damage (e.g., excessive wear, bent, cracked). Replace the blade(s) with the original equipment manufacturer's (O.E.M.) blade(s) only.
10. Use of service parts which do not meet the original equipment specifications may lead to improper performance and compromise safety.
11. Keep all nuts, bolts, and screws tight to be sure the equipment is in safe working condition. Review the Maintenance Schedule chart in this manual for service interval information.
12. After striking a foreign object, stop the engine, disconnect the spark plug wire(s), and ground against the engine. Thoroughly inspect the tractor for any damage. Repair the damage before starting and operating.
13. Never attempt to make adjustments or repairs to the tractor while the engine is running.
14. Grass catcher components and the chute deflector are subject to wear and damage which could expose moving parts or allow objects to be thrown. Frequently check components and replace immediately with original equipment manufacturer's (O.E.M.) parts only.
15. Maintain or replace safety and instruction labels, as necessary.
16. Observe proper disposal laws and regulations for gas, oil, etc. to protect the environment.

NOTICE REGARDING EMISSIONS

Engines which are certified to comply with California and federal EPA emission regulations for SORE (Small Off Road Equipment) are certified to operate on regular unleaded gasoline and may include the following emission control systems: Engine Modification (EM) and Three Way Catalyst (TWC), if so equipped.

When required, models are equipped with low permeation fuel lines and fuel tanks for evaporative emission control. California models may also include a carbon canister. Please contact Customer Support for information regarding the evaporative emission control configuration for your model.

SPARK ARRESTOR

WARNING

This tractor is equipped with an internal combustion engine and should not be used on or near any unimproved forest-covered, brush-covered, or grass-covered land unless the engine's exhaust system is equipped with a spark arrester meeting applicable local or state laws (if any).

If a spark arrester is used, it should be maintained in effective working order by the operator. In the State of California the above is required by law (Section 4442 of the California Public Resources Code). Other states may have similar laws. Federal laws apply on federal lands.





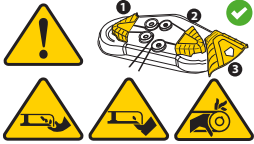



A spark arrester for the muffler is available through your nearest engine authorized service dealer or contact the service department, P.O. Box 361131, Cleveland, Ohio 44136-0019.

SAFETY SYMBOLS

This table depicts and describes safety symbols that MAY APPEAR on this product.

Symbol	Description
 <p>OPESymbol.com</p>	<p>WARNING – READ THE OPERATOR'S MANUAL(S)</p> <p>Read, understand, and follow all the safety rules and instructions in the manual(s) and on the tractor before attempting to operate this tractor. Failure to comply with this information may result in personal injury or death. Keep this manual in a safe location for future and regular reference. Using a Smart Phone, scan the QR code symbol to learn more information concerning the warnings contained on this tractor. You can also go to www.OPESymbol.com for more information.</p>
	<p>DANGER – AVOID THROWN OBJECTS INJURY</p> <p>Keep helpers at least 75' (23 meters) from tractor during operation. Remove all stones, sticks, wire, bones, toys, and other foreign objects which could be picked up and thrown by the blade(s). Do not operate the tractor without the discharge cover or entire grass catcher in its proper place.</p>

SAFE OPERATION PRACTICES

Symbol	Description
	<p>WARNING – AVOID CHILD BACKOVER/RUNOVER/BLADE INJURY</p> <p>To avoid back-over accidents, always look behind and down for small children. Never carry children, even with the blade(s) shut off. Keep bystanders, children, and pets inside during operation under the watchful care of a responsible adult other than the operator. Stop tractor if anyone enters the area.</p>
	<p>WARNING – AVOID TIP-OVER/ROLL-OVER INJURY</p> <p>Do not operate machine on a slope greater than 15° (25%). Do not mow up or down slopes, only mow across slopes that are less than 15° (25%). Use low speeds and avoid sudden turns on slopes. Stay at least 10' (3 meters) from drop-offs, ditches, embankments, or the edge of water.</p>
	<p>WARNING – AVOID FIRES</p> <p>Your tractor is designed to cut normal residential grass of a height no more than 10" (25 cm). Do not attempt to mow through unusually tall, dry grass (e.g., pasture), or piles of dry leaves. Allow tractor to cool at least five minutes before fueling or storing inside an enclosed garage or storage shed.</p>
	<p>WARNING – AVOID AMPUTATION INJURY</p> <p>Do not put hands or feet near or under the cutting deck. Contact with the blade(s) can amputate hands and feet.</p>
	<p>WARNING – AVOID AMPUTATION INJURY</p> <p>Do not put hands or feet near rotating parts or under the cutting deck. Contact with the blade(s) can amputate hands and feet. Ensure that all safety devices (guards, shields, switches, etc.) are in place and working. Belt and/or blade spindle contact can crush or injure body parts.</p>
	<p>WARNING – AVOID CRUSH/PINCH POINT INJURY</p> <p>Read, understand, and follow all the safety rules and instructions in the manual(s) and on the tractor before attempting to service this tractor. For foot lift models only, the deck lift system is spring-assisted and under tension. Always use the provided multi-tool to secure the lift system in the locked position before attempting to remove the mower deck.</p>
	<p>WARNING – REMOVE KEY</p> <p>Always turn off blade(s), move the drive control levers outward into park position, stop engine, and remove key before dismounting. If you are leaving the tractor unattended, always remove the key to prevent unauthorized use by children or others.</p>
	<p>WARNING – AVOID TOWING RELATED INJURY</p> <p>Do not tow a load that exceeds 250 lbs (113 kg) rolling weight and never exceed 50 lbs (22 kg) tongue weight. Never allow children or others in or on towed equipment. Do not tow on slopes greater than 5° (9%). On slopes, the weight of the towed equipment may cause loss of traction, loss of control, and/or loss of the ability to stop. Travel slowly and allow extra distance to stop.</p>

⚠ WARNING

Your Responsibility—Restrict the use of this power machine to persons who read, understand, and follow the warnings and instructions in this manual and on the machine - **SAVE THESE INSTRUCTIONS!**

ASSEMBLY

NOTE: This Operator's Manual covers several models. Tractor features may vary by model. Not all features in this manual are applicable to all tractor models and the tractor depicted may differ from yours.

NOTE: All references in this manual to the left or right side and front or back of the tractor are from the operating position only. Exceptions, if any, will be specified.

Preparation

MANUALLY MOVING THE TRACTOR

1. To engage the transmission bypass rods, pull the rod back (a) and into lower section of "J" slot. Repeat on opposite side. See Figure 1.

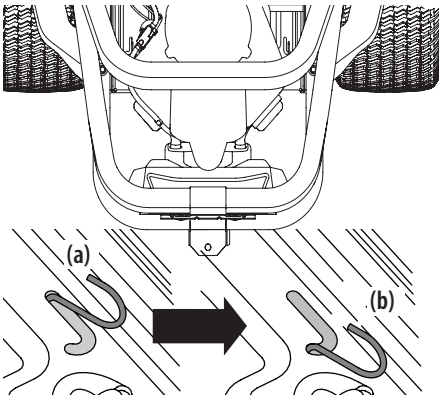


Figure 1

2. After moving tractor, reverse Step 1 to disengage the bypass rods.
3. Remove the deck wash system nozzle adapter (if equipped) from the manual bag, store for future use.

INSTALL HITCH (IF NECESSARY)

1. Locate hitch (a) and install on the rear of the frame using the two hex washer screws (b) provided. See Figure 2.

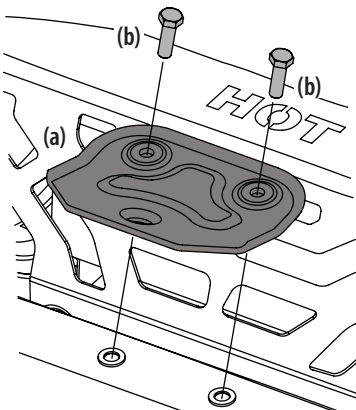


Figure 2

NOTE: Hitch and hex washer screws will be in the hardware pack.

REPOSITION UPPER HOOP (IF NECESSARY)

Upper hoop may be positioned down for shipping purposes:

1. Remove the two hex washer screws (a) partially installed on the frame. See Figure 3.

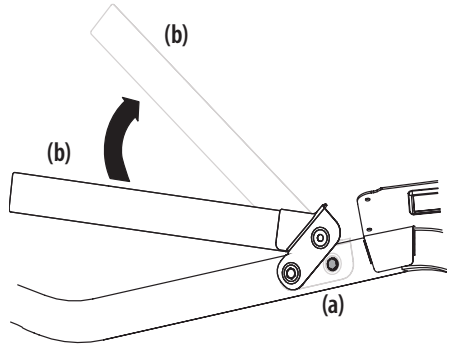


Figure 3

2. Rotate the upper hoop (b) into position. See Figure 3.
3. Secure hoop in place with the hex washer screws removed in Step 1. Torque the hex washer screws to 159-239 in-lbs (18-27 N-m).

Install Operator's Seat

KNOB ADJUST OR LEVER ADJUST

1. Cut any straps securing the seat assembly to the tractor. Remove all packing material.

NOTE: Be careful not to cut the seat wiring harness.

2. Install the seat onto the seat pan (a) using hardware provided.
 - a. For a Knob Adjust seat insert bolts (b) in the rear holes and lock washer (c) and knobs (d) in the front. Tighten securely. See Figure 4.

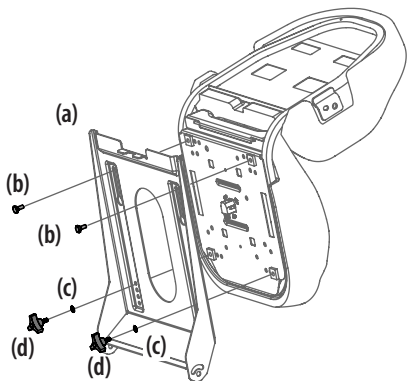


Figure 4

ASSEMBLY

- b. For a Lever Adjust seat use flange lock nuts (a) and flat washers (b). See Figure 5.

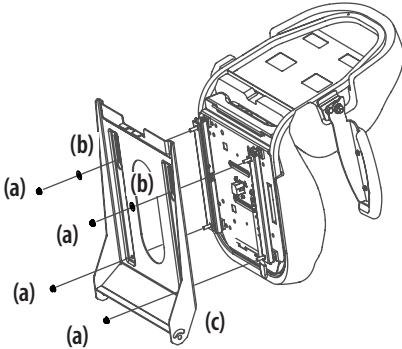


Figure 5

3. If necessary, securely connect the seat switch wiring harness (a) to the seat switch (b). See Figure 6. Secure excess wire away from pinch points before continuing.

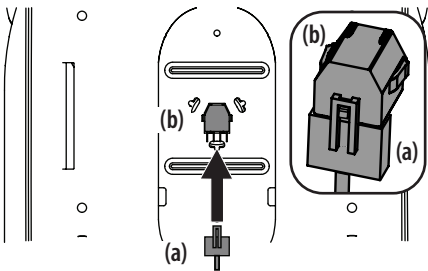


Figure 6

NOTE: Tractor will not operate without the seat switch wiring harness connected.

Position Lapbar Drive Control Levers

The lapbar drive control levers can be adjusted up/down and forward/backward for the operator's comfort. Three height positions are available and/or levers can be rotated forward or rearward using the knob.

To adjust the lapbar drive control lever height, proceed as follows:

1. Remove the two carriage screws (a) and two flange lock nuts (b) that secure the lapbar drive control lever (c) to the upper handle adjuster (d). See Figure 7.

NOTE: The multi-tool (if equipped) can be used to make this adjustment.

2. Move the lapbar drive control lever into one of three available heights and secure in place with the carriage screws and flange lock nuts. See Figure 7.

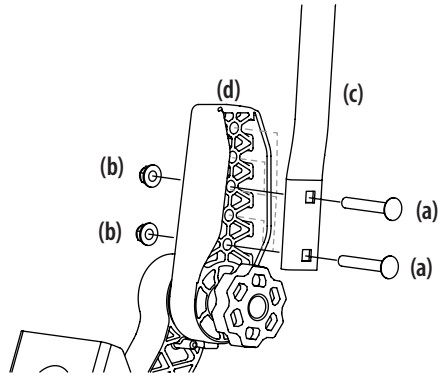


Figure 7

To adjust the lapbar drive control levers forward/rearward, proceed as follows:

1. Rotate the knob (a) counter-clockwise to loosen the knob (a). See Figure 8.
2. Lift and rotate the lapbar drive control lever into the desired position.
3. Rotate the knob clockwise to secure the lapbar drive control lever into position. See Figure 8.
4. If the lapbars do not line up after making the knob adjustment, loosen nuts (b), align lapbars and re-tighten nuts. Once this fine adjustment is made, the lapbars will align when using the knob adjustment. See Figure 7.

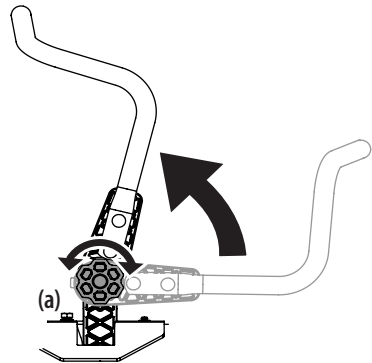


Figure 8

Lower Discharge Chute Deflector

⚠ WARNING

Never operate the mower deck without the chute deflector installed and in the down position.

ATTACHING THE CHUTE DEFLECTOR (IF NECESSARY)

1. Remove the keys attached with a zip tie to the chute bracket.
2. Remove the flange lock nut and hex screw from the deck.

ASSEMBLY

- Place the chute deflector on the deck, be sure to insert the tabs on the chute deflector into the holes on the deck. See Figure 9.

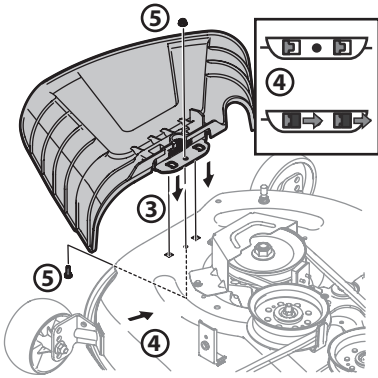


Figure 9

- Slide the chute deflector toward the rear of the tractor until the bolt hole in the chute deflector aligns with the hole in the deck. See Figure 9.
- Secure the chute deflector in place with the flange lock nut and hex screw removed in Step 2. Tighten to 102-124 in-lbs (11.5-14 N-m). Skip ahead to Setting Deck Wheels.

REMOVING THE STOP BRACKET (IF NECESSARY)

- If the chute is shipped attached and with a stop bracket holding the chute upright, the stop brackets must be removed prior to operating the tractor.
- Holding the chute deflector fully upward, remove the stop bracket. Lower the chute deflector and discard the stop bracket. See Figure 10.

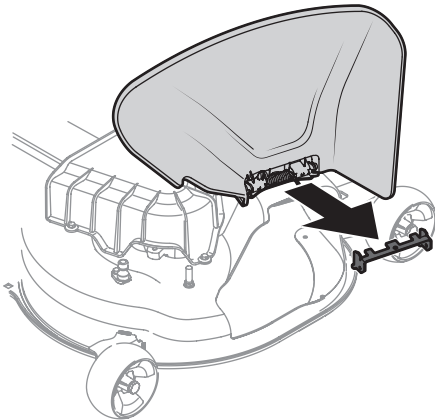


Figure 10

Setting Deck Wheels (If Equipped)

NOTE: The deck wheels are an anti-escarp feature of the deck and are not designed to support the weight of the cutting deck.

- Move the tractor to a level surface, preferably pavement.
- Check tire pressure, adjust if necessary. See tire side wall for proper tire pressure.
- Make sure the deck is level side-to-side and properly pitched. See the Service and Maintenance section for deck leveling information and instructions.

- Place deck lift lever or knob in the desired mowing height position and lower deck.
- Check the wheels for contact or excessive clearance with the surface below.

NOTE: The deck wheels should have between 1/4" (6.35 mm) and 1/2" (12.7 mm) clearance above the ground.

- Remove the lock nut (a), gauge wheel (b) and shoulder screw (c) from the deck. See Figure 11.

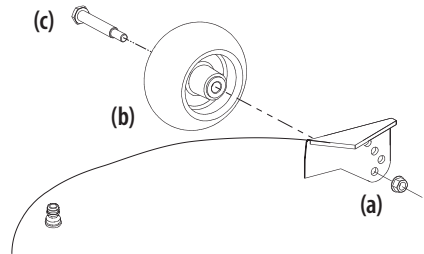


Figure 11

- Insert the shoulder screw into one of four index holes on the deck wheel bracket. Allow a 1/4-1/2" (6.35-12.7 mm) clearance between the ground and gauge wheel.
- Note the index hole used on previously adjusted wheel. Repeat adjustment on opposite side to align both gauge wheels.

NOTE: Refer to Adjustments section of this manual for more detail.

Battery Information

⚠ WARNING

California PROPOSITION 65 WARNING: Battery posts, terminals, and related accessories contain lead and lead compounds, chemicals known to the State of California to cause cancer and reproductive harm. Wash hands after handling.

ASSEMBLY

⚠ WARNING

Should battery acid accidentally splatter into the eyes or onto the skin, rinse the affected area immediately with clean cold water. Seek prompt medical attention.

If acid spills on clothing, first dilute it with clean water, then neutralize with a solution of ammonia/water or baking soda/water.

NEVER connect (or disconnect) battery charger clips to the battery while the charger is turned on, as it can cause sparks.

Keep all sources of ignition (cigarettes, matches, lighters) away from the battery. The gas generated during charging can be combustible.

As a further precaution, only charge the battery in a well ventilated area.

Always shield eyes and protect skin and clothing when working near batteries.

Batteries contain sulfuric acid and may emit explosive gases. Use extreme caution when handling batteries. Keep batteries out of the reach of children.

The battery may present a risk of fire or chemical burn if misused. Do NOT open, disassemble, overheat, or incinerate the battery.

⚠ CAUTION

When attaching battery cables, always connect the POSITIVE (Red) wire to terminal first, followed by the NEGATIVE (Black) wire.

NOTE: The positive battery terminal is marked Pos. (+). The negative battery terminal is marked Neg. (-).

CONNECTING BATTERY CABLES

⚠ WARNING

Always connect the positive lead to the battery before connecting the negative lead. This will prevent sparking or possible injury from an electrical short caused by contacting the tractor body with tools being used to connect the cables.

For shipping reasons the factory may leave both battery cables disconnected from the terminals. To connect the battery cables, proceed as follows:

NOTE: Wiring harness should lay on top of battery hold down rod, otherwise damage to the wiring harness may result. See Figure 15 on page 11.

Models with Lead-Acid Battery

1. If present, remove the plastic cover from the positive battery terminal. Attach the red connector to the positive battery terminal (+) using the bolt (a) and hex nut (b). See Figure 12.

2. If present, remove the plastic cover from the negative battery terminal and attach the black cable to the negative battery terminal (-) with the bolt (a) and hex nut (b). See Figure 12.
3. Position the red rubber boot (c) over the positive battery terminal to help protect it from corrosion. See Figure 12.

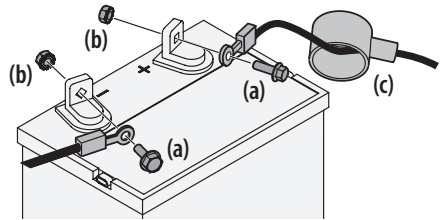


Figure 12

NOTE: If the battery is put into service after date shown on top/side of battery, charge the battery as instructed in the Charging the Battery section, prior to operating.

Models with AGM Battery

1. Remove the hex screws (a) and square nuts (b) located either on the end of the wiring harness or in the bag with this manual. Retain the hardware for later instructions. See Figure 13.
2. Remove the plastic cover (c), if present, from the positive battery terminal (d) and attach the red cable (e) to the positive battery terminal (d) with one of the hex screws (a) and square nuts (b), from Step 1. Use a Philips screw driver. See Figure 13.
3. Remove the plastic cover (c), if present, from the negative battery terminal (f) and attach the black cable (g) to the negative battery terminal (f) with the remaining hex screw (a) and square nut (b). See Figure 13.
4. Position the red rubber boot over the positive battery terminal to help protect it from corrosion. See inset in Figure 13.

NOTE: If the battery is put into service after date shown on top/side of battery, charge the battery as instructed in the Charging the Battery section, prior to operating.

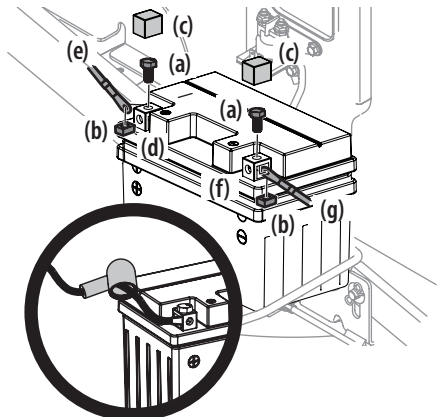


Figure 13

ASSEMBLY

BATTERY MAINTENANCE

- Some batteries are filled with battery acid and then sealed at the factory. However, even a "maintenance free" battery requires some maintenance to ensure its proper life cycle.
- Spray the terminals and exposed wire with a battery terminal sealer, or coat the terminals with a thin coat of grease or petroleum jelly, to protect against corrosion.
- Always keep the battery cables and terminals clean and free of corrosion.
- Some models are equipped with a battery containing a liquid electrolyte. Handle the battery with care and avoid tipping to prevent leakage.

BATTERY STORAGE

- When storing the tractor for extended periods, disconnect the negative battery cable. It is not necessary to remove the battery.
- All batteries discharge during storage. Keep the exterior of the battery clean, especially the top. A dirty battery will discharge more rapidly.
- The battery must be stored with a full charge. A discharged battery can freeze sooner than a charged battery. A fully charged battery will store longer in cold temperatures than hot.
- Recharge the battery before returning to service. Although the tractor may start, the engine charging system may not fully recharge the battery.

BATTERY REMOVAL

⚠ WARNING

Battery posts, terminals, and related accessories contain lead and lead compounds. Wash hands after handling.

The battery is located beneath the seat frame. To remove the battery:

Models with Lead-Acid Battery

1. Remove the hex cap screw and sems nut securing the black negative battery lead to the negative battery post (marked NEG (-)). Move the cable away from the negative battery post.
2. Remove the hex cap screw and sems nut securing the red positive battery lead to the positive battery post (marked POS (+)).

3. Remove the hex washer screw (a) securing the battery hold-down rod (b) to the frame. Then flip the battery hold-down rod (b) up to free the battery. See Figure 14.

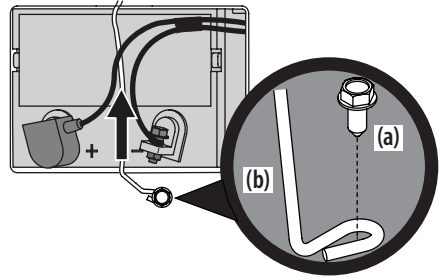


Figure 14

4. Carefully lift the battery out of the tractor.
5. Install the battery by repeating the above steps in the reverse order.

Models with AGM Battery

1. Remove the hex screw and square nut securing the black negative battery lead to the negative battery post (marked NEG (-)). Move the cable away from the negative battery post.
2. Remove the hex screw and square nut securing the red positive battery lead to the positive battery post (marked POS (+)).
3. Remove the hex washer screw (a) securing the battery hold down rod (b) to the frame. Then flip the battery hold down rod (b) up to free the battery. See Figure 15.

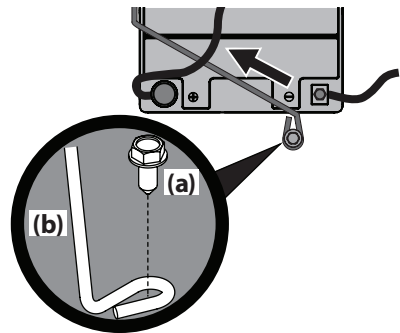


Figure 15

4. Carefully lift the battery out of the tractor.
5. Install the battery by repeating the above steps in the reverse order.

ASSEMBLY

CHARGING THE BATTERY

Test and, if necessary, recharge the battery after the tractor has been stored for a period of time.

Models with Lead-Acid Battery

- A voltmeter or load tester reading of 12.4 volts (DC) or lower across the battery terminals indicates that the battery needs to be charged.
- A lead-acid battery charger should be used. Recommended charge rate is 4A/14.7V.
- If your battery charger is automatic, charge the battery until the charger indicates that charging is complete. If the charger is not automatic, charge for no fewer than eight (8) hours.

Models with AGM Battery

- An AGM battery charger should be used. Recommended charge rate is 1.1A/14.8V.

IMPORTANT! Do NOT use an automotive charger.

- If your battery charger is automatic, charge the battery until the charger indicates that charging is complete. If the charger is not automatic, charge for no fewer than eight (8) hours.

Adjusting the Seat

KNOB ADJUST

1. Remove the knobs (a). See Figure 16.
2. Slide the seat up or down into the desired position.
3. Replace the knobs into one of the four hole settings and tighten securely. See Figure 16.

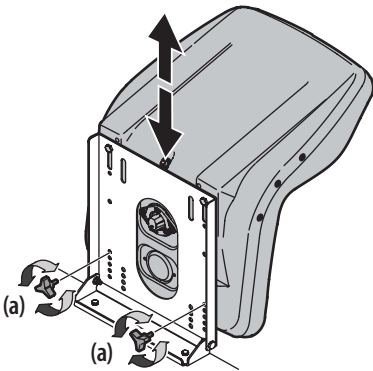


Figure 16

LEVER ADJUST

1. Push left and hold the seat adjustment lever to adjust the seat position.
2. Slide seat forward or rearward to desired position.
3. Release the adjustment lever. Ensure seat is locked into position before operation. See Figure 17.

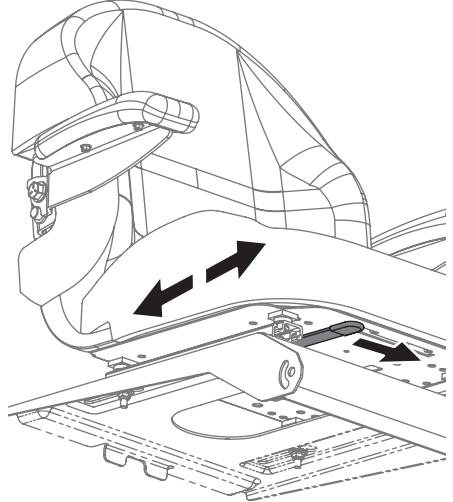


Figure 17

OPERATION

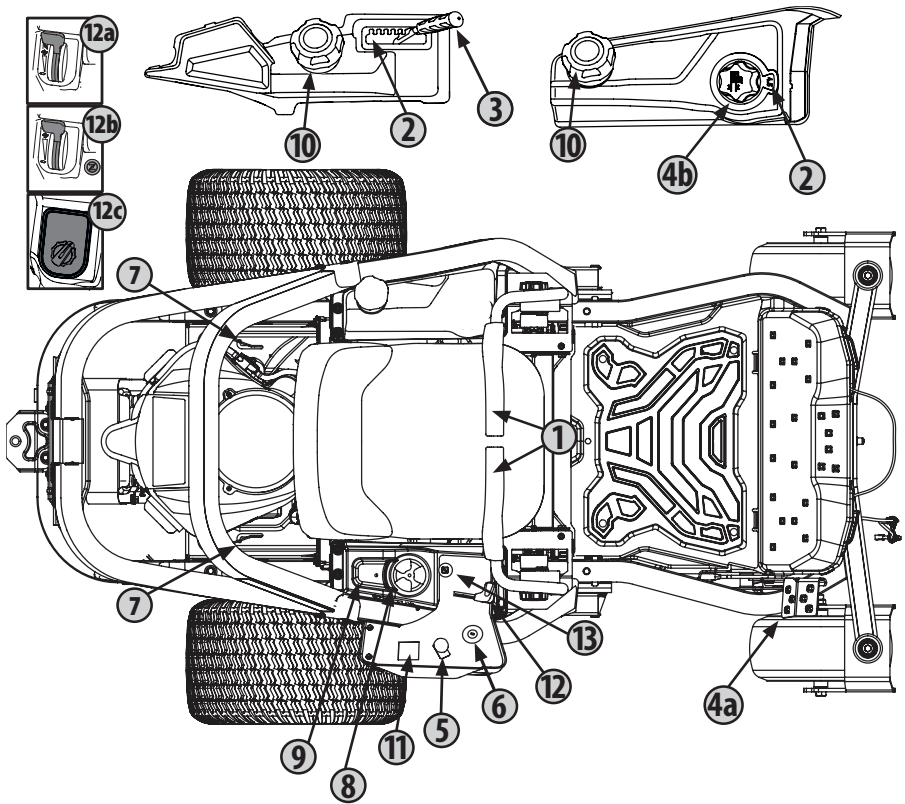


Figure 18

NOTE: This Operator's Manual covers several models. Tractor features may vary by model. Not all features in this manual are applicable to all tractor models and the tractor depicted may differ from yours.

NOTE: All references in this manual to the left or right side and front or back of the tractor are from the operating position only. Exceptions, if any, will be specified.

1 Lapbar Drive Control Levers

The RH (Right Hand) and LH (Left Hand) lapbar drive control levers are located on each side of the operator's seat. The hinged levers pivot outward to permit the operator to sit in the seat or dismount. To start the tractor's engine, the lapbar drive control levers must be fully out and in park position. When the lapbar drive control levers are fully outward, the parking brake is engaged.

Each drive control lever controls the respective transmission. Consequently, these levers control all of the tractor's movements. Driving and steering using these control levers is quite different from a conventional tractor and will take practice to master. Refer to Practice Operation section for further instructions.

2 Deck Height Index

If equipped with a deck lift handle:

Each height index notch corresponds to approximately a 1/2" (12.7 mm) change in deck height. See 3 in Figure 18.

If equipped with a deck lift pedal and knob:

Each rotation represents a 1/4" (6.35 mm) change in deck height. Positions range from 1" (2.5 cm) to 4-1/2" (11.4 cm) at the highest point. See 4a and 4b in Figure 18.

3 Deck Lift Handle (If Equipped)

The deck lift handle is used to raise and lower the mower deck. To lower the deck, pull the deck lift handle to the right out of the index notch and push downward. To raise the deck, pull upward. Ensure handle is fully positioned into the height index notch when the desired height is attained.

OPERATION

4a) Deck Lift Pedal (If Equipped)

The deck lift pedal is located on the front, right corner of the platform. The pedal is used in conjunction with the deck lift knob (if equipped) to raise and lower the mowing deck. Push forward on the deck lift pedal, rotate the deck lift knob to the desired height and release the deck lift pedal.

4b) Deck Lift Knob (If Equipped)

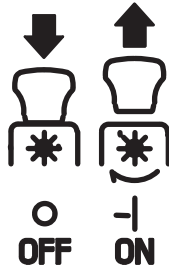
The deck lift knob is used in conjunction with the deck lift pedal (if equipped) to raise and lower the mowing deck. Push forward on the deck lift pedal, rotate the deck lift knob to the desired height and release the deck lift pedal.

5) Power Take-Off (PTO)

ELECTRIC PTO (IF EQUIPPED)

The PTO switch operates the electric PTO clutch mounted on the bottom of the engine crankshaft. Pull the switch knob upward to engage the PTO clutch or push the knob downward to disengage the clutch.

The PTO switch must be in the "OFF" position when starting the engine.




6) Ignition Switch


⚠ WARNING

Never leave a running machine unattended. Always disengage PTO, set parking brake, stop engine, and remove key to prevent unintended starting.

The ignition switch has three positions:

STOP  — The engine and electrical system is turned off.

RUN  — The tractor electrical system is energized.

START  — The starter motor will turn over the engine. Release the key immediately when the engine starts.

NOTE: To prevent accidental starting and/or battery discharge, remove key from the ignition switch when tractor is not in use.

7) Transmission Bypass Rods

The transmission bypass rods (one for each RH and LH transmission) are located on the rear of the tractor, next to the engine. When engaged, the two rods open a bypass within the hydrostatic transmissions, which allows the tractor to be pushed short distances by hand. Refer to the Assembly section for additional instructions.

⚠ CAUTION

Never tow your tractor. Towing the tractor with the rear wheels on the ground may cause severe damage to the transmissions.

8) Cup Holder

The cup holder is located on the top of the console.

9) Storage Tray

The storage tray is located to the rear of the console.

10) Fuel Tank Cap

Turn the fill cap at least two clicks counter-clockwise and pull upward to remove. The fuel cap is tethered to the tractor to prevent its loss. Do not attempt to remove the cap from the tractor. Fill tank to 1/2" (12.7 mm) below the bottom of the filler neck, allowing some space in the tank for fuel expansion. Do not overfill the tank.

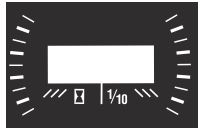
Push the cap downward on the fuel tank fill neck and turn at least two clicks clockwise to tighten. Always re-install the fuel cap tightly onto the fuel tank after removing.


⚠ WARNING

Never fill the fuel tank when the engine is running. If the engine is hot from recently running, allow to cool for at least five minutes before refueling. Highly flammable gasoline could splash onto the engine and cause a fire.

11) Hour Meter & LCD Service Minder (If Equipped)

The LCD service minder will remind the operator of maintenance intervals for changing the engine oil, air filter service, low engine and low battery warnings. When the key is rotated out of the STOP position but is not in the START position, the LCD service minder & hour meter will briefly display the battery voltage, followed by the tractor's accumulated hours.



NOTE: When the ignition key is out of the STOP position the hourglass  symbol is illuminated/blinks to indicate it is recording the hours of tractor operation, regardless of whether the engine has been started.

CHANGE OIL

The LCD screen will alternate the letters "CHG", followed by "OIL", followed by "SOON", followed by the meter's accumulated time. "CHG/OIL/SOON/TIME" will alternate on the display for 7 minutes after the meter reaches 50 hours. This oil service minder interval will occur every 50 hours. Before the interval expires, change the engine oil as instructed in the Engine Operator's Manual.

LOW OIL

NOTE: The low oil pressure function only works if the engine is equipped with an oil pressure switch.

OPERATION

The LCD screen will alternate the letters “LO” followed by “OIL”, followed by the meter’s accumulated time, which indicates the engine has low oil pressure. This is common when starting an engine. The indicator will remain active until the engine sufficiently builds pressure after starting. If it remains on with the engine at full speed and after a few minutes of operation, stop the tractor immediately and check the engine oil level and add as instructed in the Engine Operator’s Manual. If the oil level is correct and the indicator persists, contact an authorized service dealer.

LOW BATTERY

At startup, the battery voltage will briefly display, then changes to accumulated hours. The letters “LO” followed by the letters “BATT” will display, followed by the meter’s accumulated time. “LO/BATT/TIME” is displayed on the LCD when the voltage drops below 11.5 volts. When this occurs, the battery is in need of a charge or the engine’s charging system is not generating sufficient amperage. Charge the battery as instructed in the Charging the Battery section of this manual or have the charging system checked by your local service dealer.

AIR FILTER SERVICE

The LCD screen will display the letters “CLN” followed by the letters “AIR”, followed by “FLT”, followed by the meter’s accumulated time. “CLN/AIR/FILT/TIME” will alternate on the display for 7 minutes after the meter reaches 25 hours. This air filter service minder time interval will be every 25 hours. On intervals that are common with oil service, the oil message will be displayed first followed by the air filter message.

12 Throttle/Choke Control Lever, Throttle Control or Electronic Governor Control

NOTE: When set in a given position, a uniform engine speed will be maintained.

A. THROTTLE/CHOKE CONTROL LEVER (IF EQUIPPED)

Push the throttle/choke control lever forward to increase the engine speed. The tractor is designed to operate with the throttle/choke control lever at full throttle (FAST) when the tractor is being driven and the mower deck is engaged. Pull the throttle/choke control lever rearward to decrease the engine speed. When starting the engine, push the control lever fully forward into the CHOKe position. After starting and warming the engine, move the control lever rearward until you feel it move past the choke detent. Throttle is not meant to control unit speed, throttle should remain in high speed while operating blades.

B. THROTTLE CONTROL (IF EQUIPPED)

Push the throttle control lever forward to increase the engine speed. The tractor is designed to operate with the throttle control lever at full throttle (FAST) when the tractor is being driven and the tractor deck is engaged. Pull the throttle control lever rearward to decrease the engine speed.

C. ELECTRONIC GOVERNOR CONTROL (IF EQUIPPED)

When set in a given position, a uniform engine speed will be maintained. The electronic governor control has various inputs for maintaining engine speed. Use CUT setting for optimal cutting performance in normal cutting conditions. Use POWER CUT setting for optimal cutting performance in heavy cutting conditions.

13 Choke Control (If Equipped)

The choke control determines the position of the engine choke. Pull the knob out to choke the engine; push the knob in to open the choke.



Multi-Tool (Foot Deck Lift Models Only)

The multi-tool (a) is located on the front of the right console. The multi-tool (a) can be used as a deck lift lockout, to remove the footpan bolt, adjust the height of the lapbar drive control levers, drive control lever stop adjustment and can be used as a removal tool with the 1/2” socket end. See the Service and Maintenance section for more information on multi-tool (a) usage. See Figure 19.

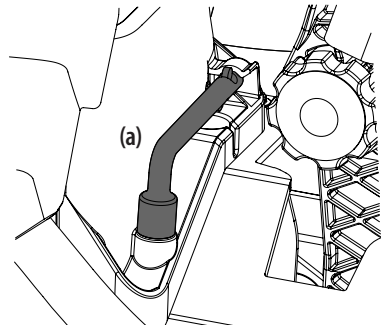


Figure 19

Headlights (Not Shown/If Equipped)

The headlights are located on the front of the frame. The headlights are ON whenever the ignition key is rotated out of the STOP position and OFF when the ignition key is moved to the STOP position.

Seat Adjustment Lever (Not Shown/If Equipped)

The seat adjustment lever is located under the seat. The seat adjustment lever allows for adjustment forward or backward of the operator’s seat. Refer to the Assembly section for instructions on adjusting the seat position.

NOTE: If your tractor is not equipped with a seat adjustment lever, it can be adjusted using the knobs on the underside of the seat. Refer to the Assembly section for instruction on adjusting the seat.

OPERATION

Operation

BEFORE OPERATING YOUR TRACTOR

- Before operation, refer to the Maintenance Schedule chart located in this manual for regularly scheduled service items.
- This engine is certified to operate only on clean, fresh, unleaded gasoline. Fill only with clean, fresh, unleaded gasoline with a pump sticker octane rating of 87 or higher.
- Do not use gasoline left over from the previous season, to minimize gum deposits in the fuel system.
- Gasohol (up to 10% ethyl alcohol, 90% unleaded gasoline by volume) is an approved fuel. Other gasoline/alcohol blends are not approved.
- Methyl Tertiary Butyl Ether (MTBE) and unleaded gasoline blends (up to a maximum of 15% MTBE by volume) are approved fuels. Other gasoline/ether blends are not approved.

SAFETY INTERLOCK SYSTEM

⚠ WARNING

Do NOT operate the tractor if the safety interlock system is malfunctioning. This system was designed for your safety and protection.

This tractor is equipped with a safety interlock system for the protection of the operator. If the interlock system should ever malfunction, do not operate the tractor. Contact an authorized service dealer.

- The safety interlock system prevents the engine from cranking or starting unless the parking brake is engaged and the PTO switch is in the DISENGAGED (OFF) position.
- The engine will automatically shut OFF if the operator leaves the seat before engaging the parking brake.
- The engine will automatically shut OFF if the operator leaves the tractor's seat with the PTO switch in the ENGAGED (ON) position, regardless of whether the parking brake is engaged.

CHECKING THE SAFETY INTERLOCK CIRCUITS

Periodically check the safety interlock circuits to ensure they are working properly. If a safety circuit is not working as designed, contact an authorized service dealer to have the tractor inspected. Do NOT operate the tractor if any safety circuit is not functioning properly. To check the safety circuits, proceed as follows:

1. Pull the PTO upward to the ENGAGED (ON) position. Momentarily turn the ignition switch to the START position; the engine should not crank.
2. With the tractor running move both lapbar drive control levers fully inward in the neutral position; then lift upward from the operator's seat. The engine should stop.

3. With both lapbar drive control levers fully outward in the parking brake engaged position, engage the PTO. Lift upward from the operator's seat; the engine should stop.

STARTING THE ENGINE

⚠ CAUTION

The operator should be sitting in the tractor seat when starting the engine.

1. Operator should be sitting in the tractor seat with the lapbar drive control levers fully out and in the park position. See Figure 20. Refer to Practice Operation for further instructions.

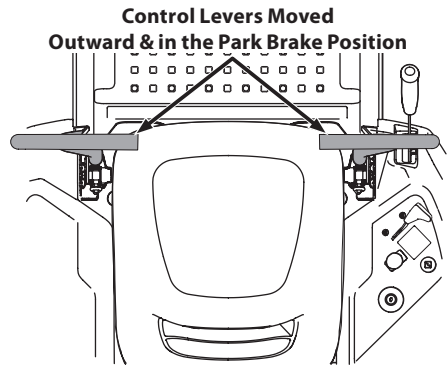


Figure 20

2. Make certain the PTO is in the "OFF" position. Move the choke control or throttle/choke control into the full choke position. Move the throttle control to midway between its slow and fast positions on models with a separate choke control.
- NOTE:** If the engine is warmed up, it may not be necessary to choke the engine.
3. Turn the key clockwise to the START position. After the engine starts, release the key. It will return to the RUN position.

⚠ CAUTION

Do not hold the key in the START position for longer than ten seconds at a time. Doing so may cause damage to your engine's electric starter.

4. As the engine warms up, gradually pull the throttle/choke control lever rearward past the choke detent position or slowly disengage the choke on models with a separate choke. Do not use the choke position to enrich the fuel mixture, except as necessary to start the engine.
5. Allow the engine to run for a few minutes at mid-throttle before putting the engine under load.
6. Observe the hour meter/indicator panel. If the battery indicator light or oil pressure light come on, immediately stop the engine. Have the tractor inspected by your authorized service dealer.

OPERATION

COLD WEATHER STARTING

When starting the engine at temperatures near or below freezing, ensure the correct viscosity motor oil is used in the engine and the battery is fully charged. Start the engine as follows:

1. Be sure the battery is in good condition. A warm battery has much more starting capacity than a cold battery.
2. Use fresh winter grade fuel. Winter grade gasoline has higher volatility to improve starting. Do not use gasoline left over from summer.
3. Follow the previous instruction for Starting the Engine.

USING JUMPER CABLES TO START ENGINE

⚠ WARNING

Batteries contain sulfuric acid and produce explosive gases. Make certain the area is well ventilated, wear gloves and eye protection, and avoid sparks or flames near the battery.

If the battery charge is not sufficient to crank the engine, recharge the battery. If a battery charger is unavailable and the tractor must be started, the aid of a booster battery will be necessary. Connect the booster battery as follows:

1. Connect the end of one cable to the disabled tractor battery's positive terminal; then connect the other end of that cable to the booster battery's positive terminal.
2. Connect one end of the other cable to the booster battery's negative terminal; then connect the other end of that cable to the frame of the disabled tractor, as far from the battery as possible.
3. Start the disabled tractor following the normal starting instructions previously provided; then disconnect the jumper cables in the exact reverse order of their connection.
4. Have the tractor's electrical system checked and repaired as soon as possible to eliminate the need for jump starting.

STOPPING THE ENGINE

1. Disengage the PTO.
2. Move lapbar drive control levers fully outward into the Park Brake engaged position.
3. Move the throttle control to midway between the slow and fast positions.
4. Turn the key to the STOP position and remove the key from the ignition module.

NOTE: Always remove the key from the ignition module to prevent accidental starting or battery discharge if the equipment is left unattended.

PRACTICE OPERATION (INITIAL USE)

Operating a zero-turn tractor is not like operating a conventional type riding tractor. Although and because a zero-turn tractor is more maneuverable, getting used to operating the lapbar drive control levers takes some practice.

It is strongly recommended that you locate a reasonably large, level and open "practice area" where there are no obstructions, pedestrians or animals. You should practice operating the tractor for a minimum of 30 minutes.

Carefully move (or have moved) the tractor to the practice area. When performing the practice session, the PTO should not be engaged. While practicing, operate the tractor at approximately 1/2-3/4 throttle and at less than full speed in both forward and reverse.

Carefully practice maneuvering the tractor using the instructions in the following section Driving the Tractor. Practice until you are confident that you can safely operate the tractor.

Driving the Tractor

⚠ WARNING

Keep all movement of the lapbar drive control levers slow and smooth. Abrupt movement of the control levers can affect the stability of the tractor and could cause the tractor to flip over, which may result in serious injury or death to the operator.

1. Adjust the operator's seat to the most comfortable position that allows you to operate the controls. See Adjusting the Seat in the Assembly section.
2. Move the RH and LH lapbar drive control levers inward in the neutral position which also disengages the parking brake. See Figure 21.

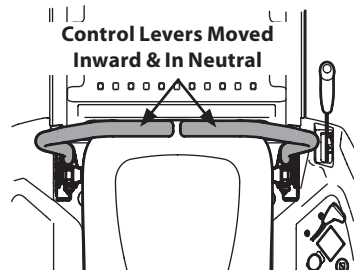


Figure 21

NOTE: Lapbar drive control levers must be moved fully inward before pushing forward or backward to ensure brakes are fully disengaged. Parking the tractor on uneven terrain or a hill may cause the brakes to bind and not release fully. In this case the tractor will not drive when the lapbar drive control levers are moved. If this happens, move the lapbar drive control lever in the opposite direction slightly to take the load off the brakes and allow them to release fully.

OPERATION

NOTE: If the lapbar drive control levers are not even in the neutral position, refer to Assembly for instructions to adjust the lapbar drive control levers so that they are even.

3. Move the throttle to the full throttle position.

⚠ WARNING

Always maintain a firm grip on the control levers. Do NOT release the control levers to slow or stop the tractor; move levers to neutral position using your hands.

4. To drive the tractor, firmly grasp the respective lapbar drive control levers with your right and left hands and continue with Driving the Tractor Forward in the next section.

DRIVING THE TRACTOR FORWARD

1. Slowly and evenly move both lapbar drive control levers forward. The tractor will start to move forward. See Figure 22.

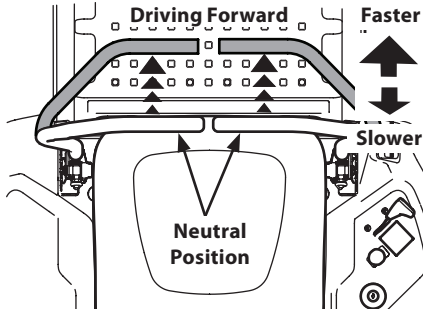


Figure 22

2. As the lapbar drive control levers are pushed farther forward the speed of the tractor will increase.
3. To slow the tractor move the drive controls lever rearward to attain the desired speed or move the lapbar drive control levers to the neutral position to stop the tractor.

TURNING THE TRACTOR WHILE DRIVING FORWARD

⚠ WARNING

Sharp turns can affect control of the tractor. ALWAYS slow the tractor before making sharp turns.

To turn the tractor while driving forward, move the lapbar drive control levers as necessary so that one drive control lever is rearward of the other. The tractor will turn in the direction of the rearward drive control lever.

1. To turn to the left, move the left drive control lever rearward of the right drive control lever. See Figure 23.

Forward Left Turn

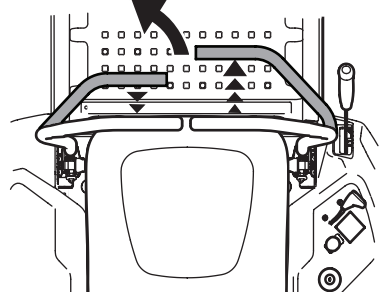


Figure 23

2. To turn to the right, move the right drive control lever rearward of the left lever. See Figure 24.

Forward Right Turn

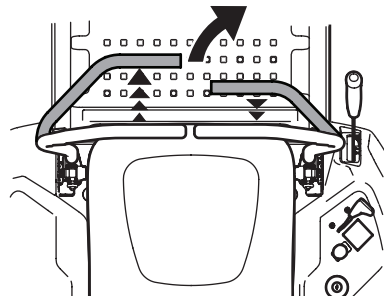


Figure 24

3. The greater the distance between the two levers, the sharper the tractor will turn.
4. To execute a "pivot turn", move the turn side drive control lever to the neutral position, while moving the other control lever forward.

NOTE: Making a "pivot turn" on grass will greatly increase the potential for defacement of the turf.

DRIVING THE TRACTOR IN REVERSE

⚠ WARNING

Always look behind and down on both sides of the tractor before backing up. Always look behind while traveling in the reverse direction. Mowing in reverse is not recommended.

1. Slowly and evenly move both lapbar drive control levers rearward. The tractor will start to move in the reverse direction. See Figure 25.

OPERATION

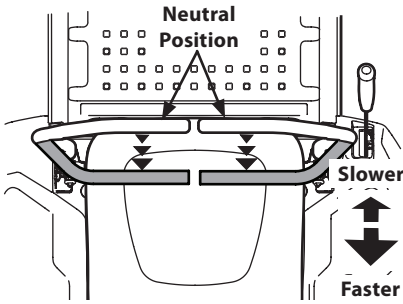


Figure 25

2. As the lapbar drive control levers are pushed farther rearward the speed of the tractor will increase.
3. To slow the tractor move the lapbar drive control levers forward to attain the desired speed or move the lapbar drive control levers to the neutral position to stop the tractor.

TURNING WHILE DRIVING REARWARD

To turn the tractor while driving rearward, move the lapbar drive control levers as necessary so that one drive control lever is forward of the other. The tractor will turn in the direction of the forward lapbar drive control lever.

1. To turn to the left while traveling in reverse, move the left drive control lever forward of the right drive control lever. See Figure 26.

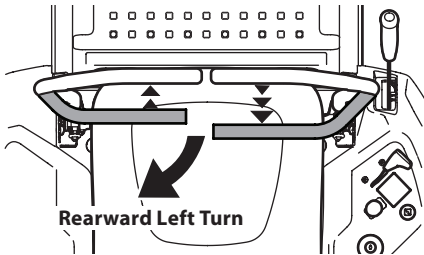


Figure 26

2. To turn to the right while traveling in reverse, move the right drive control lever forward of the left drive control lever. See Figure 27.

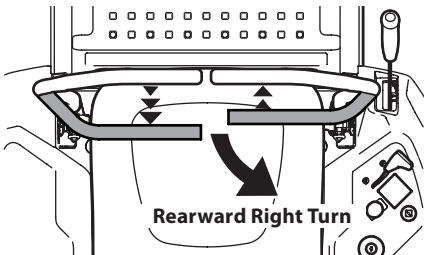


Figure 27

NOTE: The greater the distance between the two lapbar drive control levers, the sharper the tractor will turn.

3. To execute a "pivot turn", move the turn side drive control lever to the neutral position, while moving the other drive control lever rearward.

NOTE: Making a "pivot turn" on grass will greatly increase the potential for defacement of the turf.

EXECUTING A ZERO TURN

1. Stop the forward or reverse motion of the tractor by moving the two lapbar drive control levers to neutral.
2. To turn clockwise, move the left lapbar drive control lever forward while simultaneously moving the right lapbar drive control lever rearward. See Figure 28.

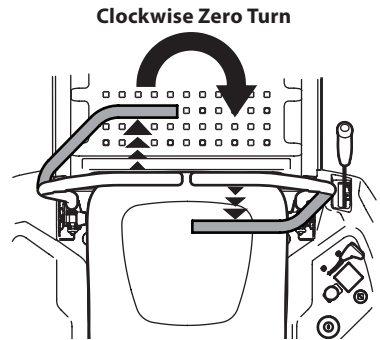


Figure 28

3. To turn counter-clockwise, move the lapbar right drive control lever forward while simultaneously moving the left lapbar drive control lever rearward. See Figure 29.

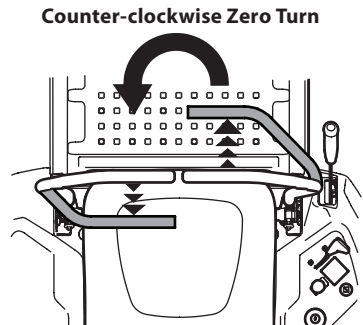



Figure 29

STOPPING THE TRACTOR

1. Move both lapbar drive control levers to the neutral position to stop the motion of the tractor.
2. Push the PTO downward to the OFF position.

OPERATION

- Use the deck lift knob/handle to raise the deck to its highest position.
- If dismantling the tractor, move the lapbar drive control levers fully outward in the neutral position which also engages the parking brake, move the throttle to the FAST position, turn the key to STOP  and remove from the ignition module.


WARNING

Do not leave the seat of the tractor without disengaging the PTO and moving lapbar drive control levers fully outward into the Park Brake engaged position. If leaving the tractor unattended, turn the ignition key to the STOP position and remove key.

Engaging the PTO

Engaging the PTO transfers power to the cutting deck or other (separately available) attachments. To engage the PTO:

- Move the throttle to the FAST  position.
- Pull the PTO switch up/out into the ENGAGED (ON) position.

NOTE: When operating the tractor be certain that the throttle is always in the FAST  position. Operating with the throttle at less than full throttle may lead to premature battery wear and a poor quality cut.

- To disengage the PTO, push the PTO switch down/in to the DISENGAGED (OFF) position.

Mowing

WARNING

To help avoid blade contact or a thrown object injury, keep bystanders, helpers, children, and pets at least 75' (23 meters) from the machine while it is in operation. Stop machine if anyone enters the area.

WARNING

Make certain the area to be mowed is free of debris, sticks, stones, wire, or other objects that can be thrown by the rotating blades.

NOTE: Do not engage the mower deck when lowered in grass. Premature wear and possible failure of the 'V' belt and PTO clutch will result. Fully raise the deck or move to a non-grassy area before engaging the mower deck.

- Mow across slopes, not up and down. If mowing a slope, start at bottom and work upward to ensure turns are made uphill.
- Do not mow at high ground speed, especially if a mulch kit or grass collector is installed.
- Do not cut the grass too short. Short grass is prone to weed growth and yellows quickly in dry weather.

- Always operate the tractor with the throttle in the FAST position while mowing.
- On the first pass pick a point on the opposite side of the area to be mowed. Follow the point to maintain a straight line.
- Engage the PTO and move the throttle control or throttle/choke control to the FAST position.
- Lower the mower deck to the desired height setting.
- For best results it is recommended that the first two laps be cut with the discharge thrown towards the center. After the first two laps, reverse the direction to throw the discharge to the outside for the balance of cutting. This will give a better appearance to the lawn.
- Slowly and evenly push the RH and LH lapbar drive control levers forward to move the tractor forward and keep the tractor headed directly toward the alignment point.

NOTE: The speed of the tractor will affect the quality of the mower cut. Mowing at full speed will adversely affect the cut quality. Control the ground speed with the lapbar drive control levers.

- Your tractor is designed to cut normal residential grass of a height no more than 10" (25 cm). Do not attempt to mow through unusually tall, dry grass (e.g., pasture) or piles of dry leaves. Dry grass or leaves may contact the engine exhaust and/or build up on the tractor.
- Do not attempt to mow heavy brush and weeds or extremely tall grass. Your tractor is designed to mow lawns, NOT clear brush.
- Keep the blades sharp and replace the blades when worn.
- When approaching the other end of the strip, slow down or stop before turning. A U-turn is recommended unless a pivot or zero turn is required.
- Align the mower with an edge of the mowed strip and overlap approximately 3" (7.6 cm).
- Direct the tractor on each subsequent strip to align with a previously cut strip.
- To prevent rutting or grooving of the turf, if possible, change the direction that the strips are mowed by approximately 45° for the next and each subsequent mowing.

When stopping the tractor for any reason while on a grass surface, always:

- Move the RH and LH lapbar drive control levers fully outward into the Park Brake engaged position.
- Shut engine off and remove the key.
- Doing so will minimize the possibility of having your lawn "browned" by hot exhaust from your tractor's running engine.

SERVICE AND MAINTENANCE

⚠ WARNING

Before performing any type of maintenance/service, disengage all controls and stop the engine. Wait until all moving parts have come to a complete stop. Disconnect spark plug wire and ground it against the engine to prevent unintended starting. Always wear safety glasses during operation or while performing any adjustments or repairs.

Follow the maintenance schedule given below. This chart describes service guidelines only.

Refer to the Engine Operator's Manual for engine maintenance items listed in the table below.

NOTE: Maintenance schedule continues onto the next page.

	Before Each Use	After First 5 Hours	Every 10 Hours	Every 25 Hours	Every 50 Hours	Every 100 Hours	Every 200 Hours	Prior to Storing	See Engine Manual
Check/Clean Engine Intake Screens & Cooling Fans #	✓							✓	
Check/Clean Exhaust Manifold, Muffler Pipe, & Muffler Shields #	✓							✓	
Check/Clean Top and Underside of Deck, Under & Around Spindle Covers, Belt Area #	✓							✓	
Check/Clean Around Fuses, Wiring & Wiring Harnesses #	✓							✓	
Check/Clean Around Transmission, Axle & Fans #	✓							✓	
Check/Add/Change Transmission Fluid As Needed							✓		
Check Air Filter for Dirty, Loose or Damaged Parts	✓								
Check Engine Oil Level	✓								
Clean Battery Terminals			✓					✓	
Grease All Lubrication Points			✓					✓	
Check Engine Intake Screen/Clean As Needed			✓					✓	
Check Blades/Sharpen or Replace As Needed			✓					✓	
Check Tire Pressure			✓					✓	
Check/Clean Underside of Deck	✓		✓						
Check Safety Interlock System			✓					✓	
Check Mower Blade Stop Time			✓					✓	
Inspect & Lube Deck Wheels				✓				✓	
Check Deck Level/Pitch				✓				✓	
Check Belts & Pulleys for Damage/Wear					✓				

SERVICE AND MAINTENANCE

	Before Each Use	After First 5 Hours	Every 10 Hours	Every 25 Hours	Every 50 Hours	Every 100 Hours	Every 200 Hours	Prior to Storing	See Engine Manual
Check That All Hardware Is In Place & Secure						✓			
Check Engine Mounting Bolt Torque (Tighten to 325-450 in-lbs (37-50 N-m))		✓			✓			✓	✓
Check Blade Mount Nut Torque (Tighten to 70-90 ft-lbs (95-122 N-m))		✓			✓			✓	
Check Spark Plug Condition & Gap						✓		✓	✓
Engine Break-In Oil Change		✓							✓
Change Engine Oil					✓			✓	✓
Check Fuel System (Lines, Tank, Cap, Fittings)		✓			✓			✓	✓
Check Spark Arrestor		✓			✓			✓	✓
Replace Oil Filter					✓			✓	✓
Clean or Change Air Filter					✓				✓
Replace Fuel Filter					✓				✓
Have Valve Lash Checked & Adjusted*									✓

* -- Have this item performed by an authorized service dealer

-- Perform more often in dry conditions and/or when mulching

NOTE: This Operator's Manual covers several models. Tractor features may vary by model. Not all features in this manual are applicable to all tractor models and the tractor depicted may differ from yours.

Post-Operation Tractor Care

After each operation of the tractor, to ensure safe operating conditions, refer to Maintenance Schedule chart in this manual for proper tractor care.

⚠ WARNING

Failure to follow these recommendations may result in serious injury to yourself or others and may cause damage to the tractor.

Cleaning the Underside of the Deck

DECK WASH SYSTEM (IF EQUIPPED)

Your tractor's deck may be equipped with a water port on its surface as part of its deck wash system.

Use the deck wash system to rinse grass clippings from the deck's underside and prevent the buildup of corrosive chemicals. Complete the following steps **AFTER EACH MOWING**:

1. Attach the nozzle adapter to a standard garden hose connected to a water supply.

2. Move the tractor to an area within reach of the hose where the dispersal of wet grass clippings is acceptable. Disengage the PTO, engage the parking brake and stop the engine.
3. Pull back the lock collar (a) of the nozzle adapter (b) and push the nozzle adapter onto the deck wash nozzle (c). Release the lock collar to lock the nozzle adapter on the deck wash nozzle. See Figure 30.

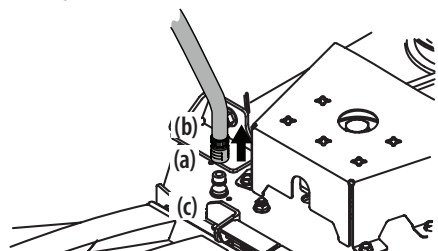


Figure 30

4. Turn on the water supply.
5. From the tractor operator's seat, start the engine and engage the PTO. Allow to run as needed. Disengage the PTO and stop the engine.
6. Turn off the water supply.
7. Pull back the lock collar of the nozzle adapter to disconnect the nozzle adapter from the deck wash nozzle.

SERVICE AND MAINTENANCE

Cleaning the Tractor

⚠ WARNING

If the tractor has been recently run, the engine, muffler, and surrounding metal surfaces will be very hot and can cause burns to the skin. Let the engine cool for at least five minutes. Exercise caution to avoid burns.

Your tractor must be cleaned after each use and under certain conditions, i.e. dry conditions and/or mulching situations, additional cleaning may be necessary.

One of the best ways to keep your tractor running efficiently and to reduce fire risk is to regularly remove debris buildup from the tractor. Follow the recommendations below and contact your authorized dealer with any questions.

- Allow the machine to cool for at least five minutes in an open area before cleaning.

NOTE: Using a pressure washer or garden hose is not recommended for cleaning your tractor other than to clean the underside of the deck. It may cause damage to electrical components, spindles, pulleys, bearings or the engine. The use of water will result in shortened life and reduce serviceability.

- Keep both sides of transmission cooling slots, exhaust manifold, around fuses, all wiring and harnesses, muffler pipe, muffler shield, engine intake screens and cooling fins, etc. clear of grass clippings and leaves. See Figure 31.

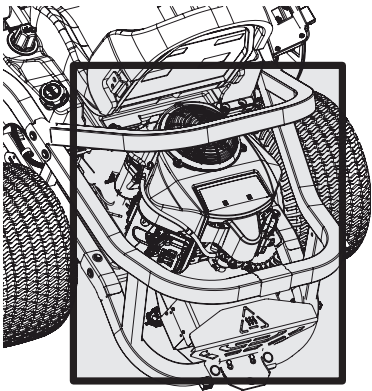


Figure 31

- Clean the top of the mower deck, under the spindle covers and belt area. See Figure 32.

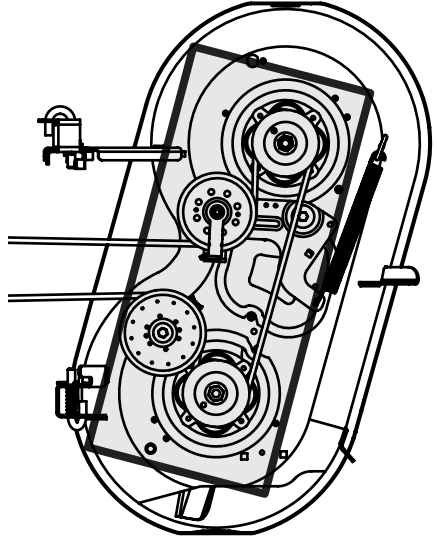
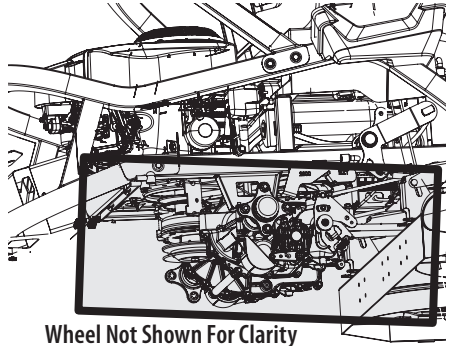


Figure 32

- Clean around and near the transmission, axle and the fan area. See Figure 33.



Wheel Not Shown For Clarity

Figure 33

- Debris can accumulate anywhere on the tractor, especially on horizontal surfaces. Additional cleaning may be necessary when mowing in dry conditions or when mulching.
- Fuel leaks/spills, oil leaks/spills and excess lubrication can also become collection sites for debris. Immediate repair and cleaning up oil or fuel spills can help reduce fire hazards.
- In addition to cleaning the tractor before operating and storing, do not attempt to mow unusually tall grass (10" (25.4 cm) or higher), dry grass (e.g., pasture) or piles of dry leaves. Dry grass or leaves may contact the engine exhaust and/or build up on the mower deck presenting a potential fire hazard.

SERVICE AND MAINTENANCE

Storing the Tractor

- Allow the machine to cool in an open area for at least five minutes before storing.
- Do not park the tractor near any flammable materials (wood, cloth or chemicals) or any open flames or other potential source of ignition (furnace, water heater or any other type of heater).
- Remove all combustible materials from the tractor before storing. Empty cargo boxes, grass catchers or containers.
- Always shut off fuel flow when storing or transporting if tractor is equipped with a fuel shutoff.
- Check the fuel system (lines, tank, cap and fittings) per the Maintenance Schedule for cracks or leaks. Repair and clean as necessary.

Maintenance

REMOVING THE FLOOR PANEL (IF EQUIPPED)

⚠ WARNING

Do not operate tractor with floor panel removed.

On some models, the floor panel can be removed for maintenance, service and cleaning. To remove the floor panel:

1. Using the multi-tool (if equipped) or a 1/2" socket, remove the hex screw (a) that secures the floor panel in place. See 1 in Figure 34.

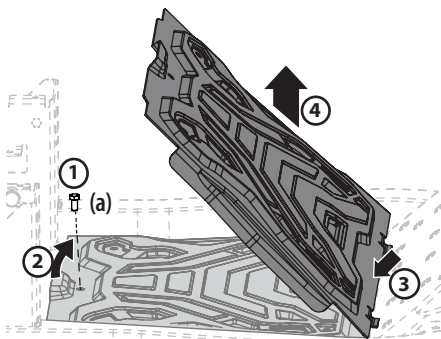


Figure 34

2. Carefully lift the rear of the floor panel. See 2 in Figure 34.
3. Slide the floor panel rearward to free the front of the floor panel. See 3 in Figure 34.
4. Lift it off the tractor. See 4 in Figure 34.
5. To place the floor panel back on the tractor, carefully put the floor panel back in place and re-install the hex screw removed in Step 1. Torque to 108-132 in-lbs (12-15 N-m).

ENGINE

⚠ WARNING

Allow machine to cool in an open area for at least five minutes before storing or refueling.

Refer to the Engine Operator's Manual for all engine maintenance procedures and instructions.

NOTE: Maintenance, repair or replacement of the emission control devices and systems which are being done at owner's expense may be performed by any engine repair establishment or individual. Warranty repairs must be performed by an authorized dealer.

CHANGING THE ENGINE OIL

⚠ WARNING

If the tractor has been recently run, the engine, muffler, and surrounding metal surfaces will be very hot and can cause burns to the skin. Let the engine cool for at least five minutes. Exercise caution to avoid burns.

NOTE: The oil filter should be changed at every oil change interval.

To complete an oil change, proceed as follows:

1. Locate the oil drain hose (a) on the side of the engine.
2. Place an appropriate oil collection container with at least a 2.5 quart (2.37 liter) capacity below the opening of the oil drain hose, to collect the used oil. Remove the oil fill cap/dipstick (b) from the oil fill tube.
3. While holding the free end of the oil drain hose over the oil collection container, unscrew the square head hose plug (c) from the end of the oil drain hose. See Figure 35. Drain the engine oil into the collection container.

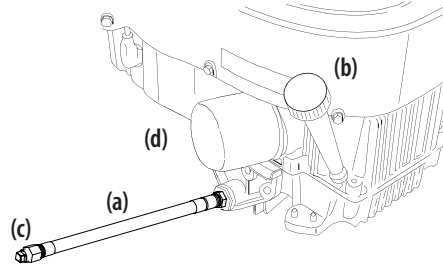


Figure 35

4. After draining the oil, wipe any residual oil from the oil drain hose. Thread the square head hose plug into the oil drain hose fitting and tighten the square head hose plug to 16 ft-lbs (22 N-m).
5. Remove the oil filter (d) and drain into the collection container.
6. Replace the oil filter (d) and refill the engine with new oil as instructed in the Engine Operator's Manual.

NOTE: Place an absorbent towel beneath the oil filter to keep oil off the clutch.

NOTE: Observe proper disposal laws and regulations for gas, oil, etc. to protect the environment.

NOTE: Maintenance, repair or replacement of the emission control devices and systems which are being done at owner's expense may be performed by any engine repair establishment or individual. Warranty repairs must be performed by an authorized dealer.

SERVICE AND MAINTENANCE

LUBRICATION

WARNING

Before lubricating, repairing, or inspecting, always disengage PTO, set parking brake, stop engine, and remove key to prevent unintended starting.

- Using a quality lubricating oil, lubricate all lubrication points. Refer to Maintenance Schedule chart located in this manual for proper service intervals.

SPARK ARRESTOR MAINTENANCE (IF EQUIPPED)

Spark arrestor assemblies must be inspected and cleaned periodically (see the Maintenance Schedule chart in this manual). Visually inspect the screen for tears, broken wires or loose welds. Replace the spark arrestor assembly if any of these conditions exist. If the screen is in good condition, clean the screen by brushing away loose dirt or carbon particles.

TIRES

Keep the tires inflated to the recommended pressures. Improper inflation will shorten the tire service life. See the tire side wall for proper inflation pressures. Refer to Maintenance Schedule chart located in this manual for proper service intervals.

Observe the following guidelines:

- Do not inflate a tire above the maximum pressure shown on the sidewall of the tire.
- Do not reinflate a tire that has been run flat or seriously under inflated. Have it inspected and serviced by a qualified tire mechanic.

HYDROSTATIC TRANSMISSION

Your zero-turn tractor is equipped with two hydrostatic pumps/transaxles. Under normal operating conditions, the oil level in the expansion reservoirs does not need to be checked and no additional oil is needed.

Changing the Transmission Oil

Please see your authorized service dealer for transmission oil changes.

Off-Season Storage

If your tractor is not going to be operated for an extended period of time (30 days or more), the tractor should be prepared for storage. Store the tractor in a dry and protected location. If stored outside, cover the tractor (including the tires) to protect it from the elements. The procedures outlined below should be performed whenever the tractor is placed in storage.

1. Change the engine oil and filter following the instructions provided in this manual as well as the Engine Operator's Manual provided with this tractor.

WARNING

Never store the tractor with fuel in the tank indoors or in poorly ventilated enclosures, where fuel fumes may reach an open flame, spark, or pilot light as on a furnace, water heater, clothes dryer, etc.

2. If storing the tractor for 30 days or more:
 - a. To prevent gum deposits from forming inside the engine's carburetor and causing possible malfunction of the engine, the fuel system must be either completely emptied or the gasoline must be treated with a stabilizer to prevent deterioration.
 - b. Using a fuel stabilizer for storage between 30 and 90 days:
 - Read the product manufacturer's instructions and recommendations.
 - Add to clean, fresh gasoline the correct amount of stabilizer for the capacity (approximately 3 gallons) of the fuel system.
 - Fill the fuel tank with treated fuel and run the engine for 2-3 minutes to get stabilized fuel into the carburetor.
 - Fuel left in the fuel tank deteriorates and will cause serious starting problems.
 - c. Emptying the fuel system for storage of more than 90 days:
 - Prior to putting the tractor in storage, monitor fuel consumption with the goal of running the fuel tank empty.
 - Run the engine until it begins to stall. Use the choke to keep the engine running until all fuel in the carburetor has been exhausted.
 - Referring to the Engine Operator's Manual, drain the fuel from the carburetor bowl.
3. Clean the engine and the entire tractor thoroughly.

NOTE: Using a pressure washer or garden hose is not recommended for cleaning your tractor other than to clean the underside of the deck. It may cause damage to electrical components, spindles, pulleys, bearings or the engine. The use of water will result in shortened life and reduce serviceability.

4. Fully charge the battery, then disconnect the negative cable at the battery to prevent possible discharge. Recharge the battery periodically when in storage.

NOTE: Remove the battery if exposed to prolonged periods of sub-freezing temperatures. Store in a cool, dry location where temperatures are above freezing.

5. Lubricate all lubrication points.

Removing the Tractor from Storage

1. Check the engine oil.
2. Fully charge the battery and inflate the tires to the recommended pressure. See tire side wall for proper tire inflation pressure.
3. Fill the fuel tank with clean, fresh gasoline.
4. Start the engine and allow to idle for a few minutes to ensure engine is operating properly.
5. Drive the tractor without a load to make certain all the tractor systems are functioning properly.

SERVICE AND MAINTENANCE

Adjustments

ADJUSTING DECK LIFT PEDAL

1. Set the deck to the transport position.
2. Remove the hex bolt, washer and hex nut near the center of the pedal assembly. See Figure 36.

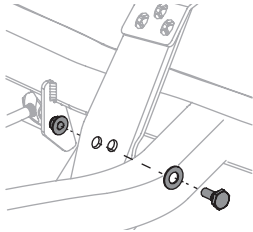


Figure 36

3. Position the pedal to the optimal position based on operator preference. See Figure 37.

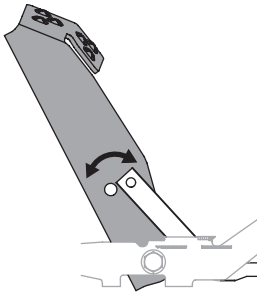


Figure 37

4. Re-install the hardware previously removed and torque the nut to 28-35 ft-lbs (38-47 N-m). See Figure 36.

DECK LEVELING

If the cutting deck appears to be mowing unevenly, leveling adjustments can be performed.

⚠ WARNING

If the tractor has been recently run, the engine, muffler, and surrounding metal surfaces will be very hot and can cause burns to the skin. Let the engine cool for at least five minutes. Exercise caution to avoid burns.

⚠ WARNING

Tractor blades are sharp. Wrap the blade or wear gloves, and use extra caution when servicing them.

LEVELING THE DECK (SIDE-TO-SIDE)

1. Place the deck lift handle or deck lift knob in a middle mowing position and rotate both outside blades so that they are perpendicular with the tractor.
2. Measure the distance from the outside of the left blade tip to the ground and the distance from the outside of the right blade tip to the ground. Both measurements taken should be equal. If they are not, proceed to the next step.

3. Locate the adjustment bolts (a) on the left and right side of the deck. See Figure 38.
4. Loosen, but do not remove, the jam nuts (b) on the adjustment bolt. Adjust either the right or left adjustment bolt up or down as necessary until the side-to-side heights are equal. See Figure 38.

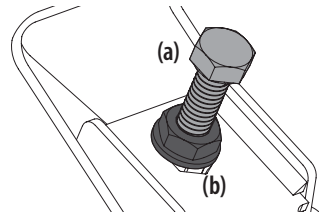


Figure 38

NOTE: Continue to check the front-to-back leveling as you make the side-to-side adjustment as the side-to-side adjustment can affect the front-to-back level. If necessary, adjust front-to-back as instructed in the next section.

5. When proper adjustment is achieved, re-tighten the jam nuts (b). Tighten to 57 ft-lbs (77 N-m). See Figure 38.

LEVELING THE DECK (PITCH/FRONT-TO-REAR)

The front of the deck should be between 1/16-1/4" (2-6 mm) lower than the rear of the deck. Adjust if necessary as follows:

1. Park the tractor on a firm, level surface and place the deck lift handle or deck lift knob in a middle position.
2. Rotate the blade nearest the discharge chute so that it is parallel with the tractor.
3. Measure the distance from the front of the blade tip to the ground and the rear of the blade tip to the ground. The first measurement taken should be between 1/16-1/4" (2-6 mm) less than the second measurement.
4. Determine the approximate distance necessary for proper adjustment and proceed, if necessary.
5. To **raise** the front of the deck, remove the end cap, loosen the outer jam nut (a) then tighten (thread inward) the inner nut (b) against the front hanger bracket. See Figure 39. When proper adjustment is achieved, re-tighten the outer jam nut (a) to 57 ft-lbs (77 N-m) and replace the end cap.

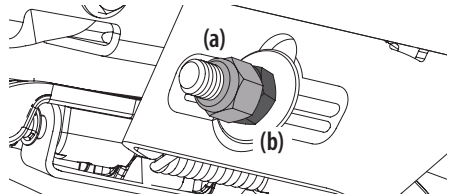


Figure 39

6. To **lower** the front of the deck, remove the end cap, loosen the outer jam nut (a) then loosen (thread outward) the inner nut (b), away from the front hanger bracket. See Figure 39. When proper adjustment is achieved, re-tighten the outer jam nut (a) to 57 ft-lbs (77 N-m) and replace the end cap.

SERVICE AND MAINTENANCE

ADJUSTING THE DECK WHEELS

⚠ WARNING

Keep hands and feet away from the discharge opening of the cutting deck.

NOTE: The deck wheels are an anti-scalp feature of the deck and are not designed to support the weight of the cutting deck. The deck wheels should be approximately 1/4-1/2" (6.35-12.7 mm) above the ground when the deck is set in the desired height setting. To adjust the deck wheels, see the Assembly section for instructions.

LAPBAR DRIVE CONTROL LEVER STOP ADJUSTMENT

When the lapbar drive control levers are both fully extended forward to the full-speed position and the tractor drifts left or right, the lapbar drive control lever stop adjustment can be adjusted to sync the wheel speeds. To perform the adjustment, proceed as follows:

1. Identify the side that the tractor is drifting to and adjust the opposite lapbar drive control lever. If the tractor drifts right, adjust the left lapbar drive control lever down (decrease speed) and vice versa.
2. Locate the lapbar drive control lever stop adjustment bolts (a) on the front of the seat frame. See Figure 40.

NOTE: The multi-tool (if equipped) can be used to make this adjustment.

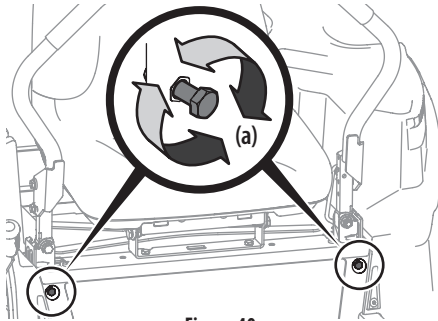


Figure 40

3. To decrease the forward speed, turn the lapbar drive control lever stop adjustment bolts (a) clockwise. To increase the forward speed, turn the lapbar drive control lever stop adjustment bolts (a) counter-clockwise. Turn the lapbar drive control lever stop adjustment bolts (a) in the necessary direction 1/4-turn at a time. After turning the lapbar drive control lever stop adjustment bolts (a), check the adjustment by driving the tractor. See Figure 40.
4. Continue the adjustment until the wheel speeds are in sync and the tractor drives straight with the drive control levers fully extended forward in the full-speed position.

NOTE: Make sure the bolts extend through the nuts on the frame to engage the locking feature.

Service

ELECTRICAL SYSTEM

A fuse is installed to protect the tractor's electrical system from damage caused by excessive amperage. Always use the same capacity fuse for replacement. If the electrical system does not function, check for a blown fuse.

If you have a recurring problem with blown fuses, have the tractor's electrical system checked by your authorized service dealer.

RELAYS AND SWITCHES

There are several safety switches in the electrical system. If a function of the safety interlock system described earlier is not functioning properly, have the electrical system checked by your authorized service dealer.

PARKING BRAKE ADJUSTMENT

If the tractor does not come to a complete stop when the control levers are moved fully outward engaging the parking brake or if the tractor's rear wheels can roll with the parking brake engaged (and the hydrostatic relief valve open), the brake is in need of adjustment. See your authorized service dealer to have the brake adjusted.

DECK REMOVAL

Remove the tractor deck from the tractor as follows:

1. Move the tractor to a level surface, disengage the PTO, stop the engine and place the RH and LH drive control levers fully outward into the park brake engaged position.
2. There are two methods for removing the belt, to remove the belt by releasing belt tension go on to Step 3, to remove the belt by rolling the belt off the PTO pulley skip ahead to Step 4.

⚠ WARNING

Use caution to avoid pinching your fingers when rolling the belt off the PTO pulley.

3. Releasing belt tension with the idler pulley:
 - a. Using the deck lift handle or the deck lift pedal and knob, raise the deck to the position that provides the most horizontal run of the belt between the deck idler pulleys and the PTO pulley on the bottom of the engine. See Figure 41.
 - b. Working from the middle of the tractor, pivot the idler bracket (a) and movable idler pulley (b) rearward just far enough to lift the belt up and over the spindle pulley. See Figure 41.

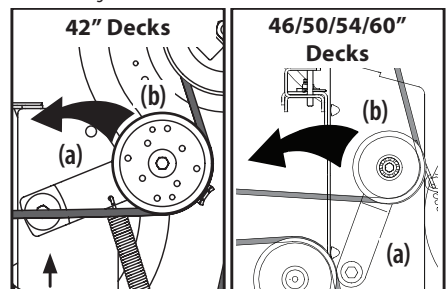


Figure 41

SERVICE AND MAINTENANCE

- c. From beneath the rear of the tractor, slide the belt off of the PTO pulley on the bottom of the engine.
 - d. Lower the deck into the lowest mowing position.
 - e. Skip ahead to Step 5.
4. Rolling the belt off the PTO pulley:
- a. Raise the deck to the position that provides the most horizontal run of the belt between the deck idler pulleys and the PTO pulley on the bottom of the engine.
 - b. Sitting behind the tractor facing forward, reach beneath the tractor to grasp the belt at the front of the PTO pulley.
 - c. Pull the left side of the belt rearward and downward while manually turning the PTO pulley to the right until the belt rides out onto the edge of the lower sheave of the pulley.

NOTE: If pulling the right side of the belt, turn the pulley left.

- d. While still holding the PTO belt (a) downward, continue turning the PTO pulley (b) until the PTO belt (a) is rolled off the PTO pulley (b). See Figure 42.

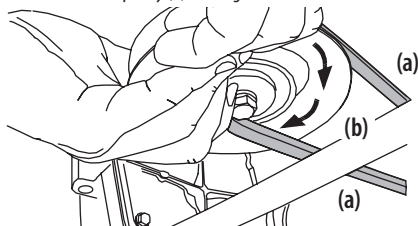


Figure 42

- e. Lower the deck into the lowest mowing position.
- f. Move on to Step 5.

⚠ WARNING

The deck lift on tractors with the deck lift knob is spring-assisted and under tension. Injury can occur if spring-assisted deck lift is released suddenly. Always use the multi-tool to secure the deck lift in place.

5. On tractors equipped with the deck lift knob, use the deck lift pedal and deck lift knob to place the deck in the lowest position and use the multi-tool (a) to lock the deck lift components in place as shown in Figure 43. On tractors with a deck lift handle, lower the deck into the lowest position.

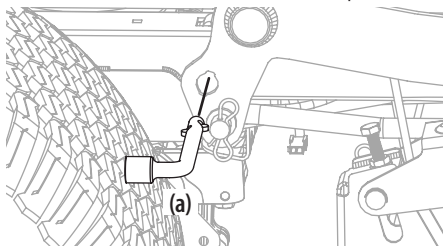


Figure 43

- a. Remove the two bow-tie pins (a) from the clevis pins (b) that secure the lift link brackets (c) to the rear deck lift brackets (d) on the deck. Remove the clevis pins (b). See Figure 44.

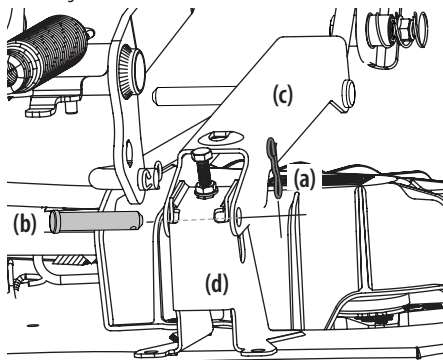


Figure 44

- b. Remove the third bow-tie pin (a) from the clevis pin (b) that secures the front deck control rod (c) to the front deck lift bracket (d). Remove the clevis pin (b). See Figure 45.

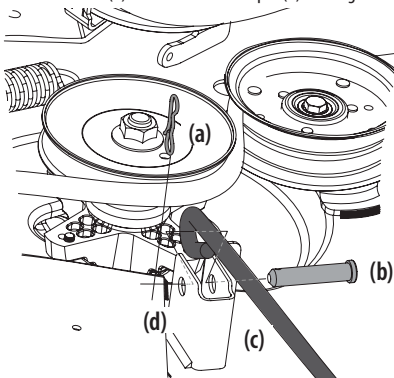


Figure 45

- c. Carefully maneuver the deck out from beneath the tractor.

DECK INSTALLATION

Install the deck on the tractor as follows:

1. Carefully maneuver the deck under the tractor from the right side, lining up the deck hanger brackets and the deck lift arms on deck lift rod/deck release pin tractors and align the lift link brackets and front deck control rod with the deck lift brackets on three-pin tractors.

2. Once the deck is under the tractor, move the deck to the lowest mowing position.

NOTE: To line the brackets up properly, it may be necessary to place a small block of wood under each side of the deck.

3. Re-install the applicable hardware for your tractor.
4. Make certain the 'V' belt is in the spindle pulleys on the deck; then route the belt rearward beneath the tractor frame, above the transmission tube(s), to the PTO pulley on the bottom of the engine.

SERVICE AND MAINTENANCE

5. Raise the deck to the position that provides the most horizontal run of the belt between the deck idler pulleys and the PTO pulley on the bottom of the engine.
6. Make certain the belt is in the spindle pulleys of the deck and that the backside of the belt is against both the fixed and movable idler pulleys.
7. Sitting behind the tractor, facing forward, make certain the belt is not twisted; then reach beneath the tractor to grasp the belt and pull it toward the PTO pulley.

⚠ WARNING

Use caution to avoid pinching your fingers when rolling the belt onto the PTO pulley.

8. Pull the right side of the PTO belt rearward and place the narrow V-side of the PTO belt into the PTO pulley. See Figure 42 on page 28.
9. While holding the PTO belt and PTO pulley together, rotate the PTO pulley to the left (See Figure 42 on page 28). Continue holding and rotating the PTO pulley and PTO belt until the PTO belt is fully rolled into the PTO pulley.

NOTE: Before using the tractor double-check the belt routing to make sure that the belt has been routed properly.

REPLACING THE BELT

1. Remove the deck from beneath the tractor (refer to Deck Removal).
2. Loosen, but do not remove the hardware on the right (a) and left idler pulley (b). Refer to Figure 46 for 42" decks, Figure 47 for 46" decks, Figure 48 for 50" and 54" decks and Figure 49 for 60" decks.

NOTE: Take note of the position of the belt guards (c) to ensure they are properly re-installed.

NOTE: On some decks it may be necessary to remove the spindle covers to remove and/or install the new belt. To remove the spindle covers, remove the screws securing them to the deck.

3. Carefully remove the belt from around the idler pulleys (a & b) and the spindle pulleys (d).
4. Install the new belt pulleys as shown and re-install the belt covers.
5. Place the belt around the idler pulleys removed in Step 3 with the 'V' side facing in. Once in place, re-install all the hardware and tighten the flange lock nut to secure the assembly.
6. Route the belt as shown and then re-install the deck (refer to Deck Installation).

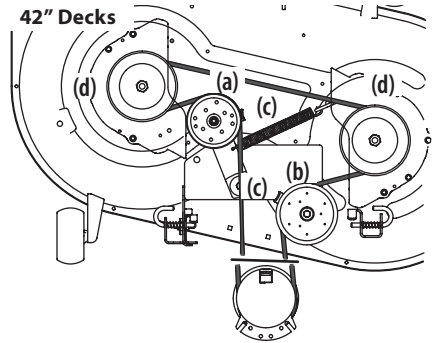


Figure 46

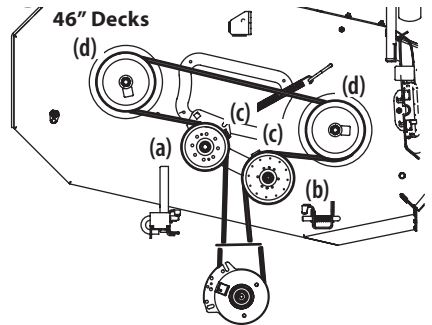


Figure 47

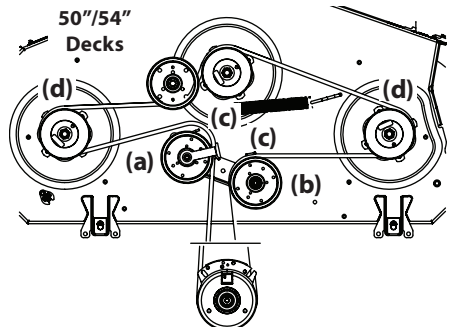


Figure 48

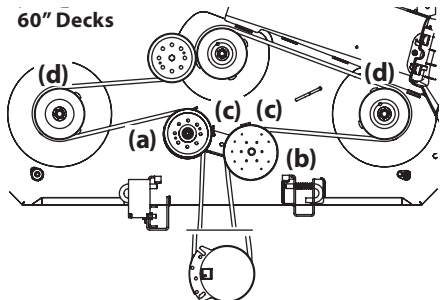


Figure 49

SERVICE AND MAINTENANCE

Tractor Blade Care

⚠ WARNING

Before performing any maintenance, disengage the PTO and move the lapbar drive control levers fully outward into the Park Brake engaged position. If leaving the tractor unattended, turn the ignition key to the STOP position and remove key. Protect your hands by using heavy gloves when handling the blades. When servicing the tractor deck, be careful not to cut yourself on the sharpened blades.

The cutting blades must be kept sharp at all times. Sharpen the cutting edges of the blades evenly so that the blades remain balanced and the same angle of sharpness is maintained.

If the cutting edge of a blade has already been sharpened many times or if any metal separation is present, it is recommended that new blades be installed. New blades are available at your authorized dealer.

STAR-BLADE SYSTEM (IF EQUIPPED)

The blades may be removed as follows:

1. Remove the deck from beneath the tractor (refer to Deck Removal) then gently flip the deck over to expose its underside.
2. Use a 15/16" wrench to hold the hex nut on top of the spindle assembly when loosening the hex nut (a) securing the blade (b). A block of wood (c) may be placed between the deck housing and the cutting edge of the blade (b) to help in breaking loose the hex nut (a) securing the blade. See Figure 50.

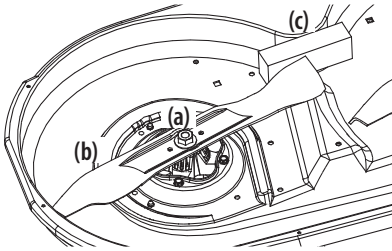


Figure 50

3. When re-installing the blades, be sure they are installed so that the wings are pointing upward toward the top of the deck.
4. Tighten the hex nuts (a) to 70-90 ft-lbs (95-122 N-m).
5. Re-install the deck (refer to Deck Installation).

S-BLADE SYSTEM (IF EQUIPPED)

The blades may be removed as follows:

1. Remove the deck from beneath the tractor (refer to Deck Removal) then gently flip the deck over to expose its underside.
2. Use a 15/16" wrench to hold the hex nut on top of the spindle assembly when loosening the hex nut (a) and washer (d)* securing the blade (b). A block of wood (c) may be placed between the deck housing and the cutting edge of the blade (b) to help in breaking loose the hex nut (a) and washer (d)* securing the blade. See Figure 51.

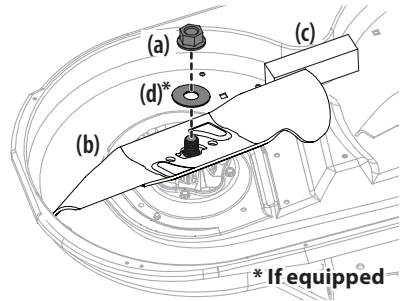


Figure 51

3. When re-installing blades, be sure of the following (see Figure 51):
 - a. Blades (b) are installed so that wings are pointing upward toward the top of the deck.
 - b. Washer (d)* is placed between bottom of blade (b) and hex nut (a).

IMPORTANT! Align "S" shaped cutout with matching "S" shape on spindle for secure fit.

4. Tighten hex nuts (a) to 70-90 ft-lbs (95-122 N-m).
5. Re-install the deck (refer to Deck Installation).

Changing the Transmission Drive Belt

Several components must be removed and special tools used in order to change the tractor's transmission drive belt. See your authorized service dealer to have the transmission drive belt replaced.

Tractor Creeping

Creeping is the slight forward or backward movement of the tractor when the throttle is on and the speed control levers are in the neutral position. If your tractor creeps, see an authorized service dealer.

SERVICE AND MAINTENANCE

Troubleshooting

WARNING

Before performing any type of maintenance/service, disengage all controls and stop the engine. Wait until all moving parts have come to a complete stop. Disconnect spark plug wire and ground it against the engine to prevent unintended starting. Always wear safety glasses during operation or while performing any adjustments or repairs.

This section addresses minor service issues. To locate the nearest authorized service center consult the separate supplement sheet for contact information.

PROBLEM	CAUSE	REMEDY
Engine fails to start	<ol style="list-style-type: none"> 1. PTO/Blade Engage knob engaged. 2. Parking brake not engaged. 3. Spark plug wire disconnected. 4. Throttle control lever not in correct starting position. 5. Fuel tank empty or stale fuel. 6. Blocked fuel line or fuel filter. 7. Faulty spark plug. 8. Engine flooded. 9. Fuse(s) blown. 	<ol style="list-style-type: none"> 1. Place knob in disengaged (OFF) position. 2. Engage parking brake. 3. Connect wire to spark plug. 4. Place Throttle lever to FAST position. 5. Fill tank with clean, fresh (less than 30 days old) gas. 6. Replace fuel line. See a qualified service dealer. Replace fuel filter. 7. Clean, adjust gap or replace plug. 8. Crank engine with throttle in FAST position. 9. Replace fuse.
Engine runs erratically	<ol style="list-style-type: none"> 1. Tractor running with Choke activated. 2. Spark plug wire loose. 3. Blocked fuel line or stale fuel. 4. Vent in gas cap plugged. 5. Water or dirt in fuel system. 6. Dirty air cleaner. 	<ol style="list-style-type: none"> 1. Check that the electric choke is working. See a qualified service dealer. 2. Connect and tighten spark plug wire. 3. Replace fuel line. See a qualified service dealer. Fill tank with clean, fresh gasoline and replace fuel filter. 4. Clear vent or replace cap if damaged. 5. Drain fuel tank. Refill with clean, fresh gasoline. 6. Clean or replace air cleaner paper element or clean foam pre-cleaner.
Engine overheats	<ol style="list-style-type: none"> 1. Engine oil level low. 2. Air flow restricted. 	<ol style="list-style-type: none"> 1. Fill engine with proper amount and type of oil. 2. Clean grass clippings and debris from around the engine's cooling fins and blower housing.
Engine hesitates at high RPMs	<ol style="list-style-type: none"> 1. Spark plug gap set too close. 	<ol style="list-style-type: none"> 1. Remove spark plug and adjust gap.
Engine idles poorly	<ol style="list-style-type: none"> 1. Fouled spark plug. 2. Dirty air cleaner. 	<ol style="list-style-type: none"> 1. Replace spark plug and adjust gap. 2. Clean or replace air cleaner element and/or clean pre-cleaner.
Excessive vibration	<ol style="list-style-type: none"> 1. Cutting blades loose or unbalanced. 2. Damaged, dull or bent cutting blade. 	<ol style="list-style-type: none"> 1. Tighten blade and spindle. Balance blade. 2. Replace blade.
Uneven cut	<ol style="list-style-type: none"> 1. Deck not leveled properly. 2. Dull blade. 3. Uneven tire pressure. 	<ol style="list-style-type: none"> 1. Perform side-to-side deck adjustment. 2. Sharpen or replace blade. 3. Check tire pressure in all four tires.

MANUAL DEL OPERADOR

Tractor de radio de giro cero Controles de la barra de seguridad ("lapbar")

Inglés (English)	Página 1
Español	Página 32
Francés (French).....	Página 68

Registro de Información del Producto

Antes de configurar y hacer funcionar su equipo nuevo, por favor localice la placa de modelo en el equipo y registre la información en el espacio de la derecha. Para encontrar la placa de modelo eleve el asiento y mire en la parte inferior de la bandeja del asiento. Necesitará esta información si tiene que solicitar soporte técnico a través de nuestro sitio web, el Departamento de Atención al Cliente, o de un distribuidor local de servicio autorizado.

Número de modelo

Número de serie

⚠ ADVERTENCIA

Lea y cumpla todas las reglas e instrucciones de seguridad de este manual antes de intentar operar esta máquina.

Si no sigue estas instrucciones, se pueden provocar lesiones personales - GUARDE ESTAS INSTRUCCIONES.

⚠ ADVERTENCIA

PROPOSICIÓN 65 DE CALIFORNIA

El escape del motor de este producto, algunos de sus componentes y algunos componentes del vehículo contienen o liberan sustancias químicas que el estado de California considera que pueden producir cáncer, defectos de nacimiento u otros problemas reproductivos.

Los terminales y contactos de la batería, y los accesorios afines contienen plomo y compuestos de plomo, sustancias químicas que el Estado de California considera que pueden producir cáncer y daños en el sistema reproductivo. Lávese las manos después de estar en contacto con estos componentes.

NOTA: Este Manual del Operador corresponde a varios modelos. Las características pueden variar según los modelos. No todas las características que se incluyen en este manual se aplican a todos los modelos y el modelo que se ilustra aquí puede diferir del suyo.

PRÁCTICAS DE OPERACIÓN SEGURAS

ADVERTENCIA



Este símbolo indica instrucciones de seguridad importantes que, de no seguirse, pueden poner en peligro su seguridad personal y/o material y la de otras personas. Lea y cumpla todas las instrucciones de este manual antes de intentar hacer funcionar esta máquina. Si no sigue estas instrucciones, se pueden provocar lesiones personales. Cuando vea este símbolo, ¡PRESTE ATENCIÓN A LA ADVERTENCIA!

PELIGRO

Esta máquina está diseñada para ser utilizada respetando las prácticas de operación seguras contenidas en este manual. Al igual que con cualquier tipo de equipo motorizado, un descuido o error por parte del operador puede producir lesiones graves. Esta máquina es capaz de amputar dedos, manos y pies y de arrojar residuos. De no respetar las instrucciones de seguridad siguientes, se pueden ocasionar lesiones graves o la muerte.

INFORMACIÓN GENERAL

1. Lea, entienda y cumpla todas las instrucciones incluidas en el tractor y en los manuales antes de intentar armar la unidad y utilizarla. Guarde este manual en un lugar seguro para consultas futuras y periódicas, así como para solicitar repuestos.
2. Familiarícese con todos los controles y su correcto funcionamiento. Sepa cómo detener el tractor y desactivar los controles rápidamente.
3. No permita nunca que los niños menores de 14 años utilicen este tractor. Los niños de 14 años en adelante deben leer y entender las instrucciones y las medidas de seguridad contenidas en este manual y sobre el tractor, y deben ser entrenados y supervisados por un adulto.
4. Nunca permita que los adultos operen este tractor sin recibir antes la instrucción apropiada.
5. Si se presentan situaciones que no están previstas en este manual, tenga cuidado y use el sentido común. Póngase en contacto con su representante de atención al cliente para obtener ayuda.
6. De conformidad con la Comisión de Seguridad de Productos para el Consumidor de los Estados Unidos (CPSC) y la Agencia de Protección Ambiental de los Estados Unidos (EPA), este producto tiene una vida útil estimada de siete (7) años, en condiciones normales de uso. Al final de su vida útil, se deberá solicitar una inspección del producto anualmente a fin de asegurarse de que todos los sistemas mecánicos y de seguridad funcionen adecuadamente, de manera segura y no estén excesivamente desgastados. Si no lo hace, puede ocasionar accidentes, lesiones o la muerte.

PREPARATIVOS ANTERIORES AL USO

1. Revise minuciosamente el área donde se va a usar el tractor. Saque todas las piedras, palos, cables, huesos, juguetes y demás objetos extraños que puedan ser recogidos y arrojados por la(s) cuchilla(s). Los objetos arrojados por la máquina pueden producir lesiones personales graves.
2. A fin de evitar lesiones por el contacto con las cuchillas o por objetos arrojados, mantenga a los asistentes a por los menos 75' (23 metros) del tractor mientras está en funcionamiento. Mantenga a las personas, los niños y las mascotas en interiores durante el funcionamiento. Detenga el tractor si alguien entra en la zona.

3. Esté atento a la dirección de la descarga del tractor y no apunte a nadie.
4. Para protegerse los ojos, utilice siempre anteojos o antiparras de seguridad durante la operación o mientras realiza ajustes o reparaciones. Los objetos arrojados que rebotan pueden producir lesiones graves en los ojos.
5. Utilice zapatos de trabajo resistentes, de suela fuerte, y pantalones y camisas ajustados. Las ropas sueltas, las alhajas y el cabello largo pueden engancharse en las piezas móviles. Nunca haga funcionar este tractor si está descalzo o con sandalias.
6. Nunca llene en exceso el depósito de combustible. Llene el depósito no más de 1/2" (13 mm) por debajo de la base del cuello de llenado, para dejar espacio para la expansión del combustible.
7. Vuelva a colocar la tapa del depósito de gasolina y ajústela bien.
8. Use solo aditamentos o accesorios aprobados para este tractor por el fabricante del tractor. Lea, comprenda y siga todas las instrucciones incluidas con el accesorio o aditamento aprobado.

FUNCIONAMIENTO

1. Los datos estadísticos muestran que los operadores mayores de 65 años se ven implicados en un alto porcentaje de lesiones relacionadas con tractores. Estos operadores deben evaluar su capacidad para operar el tractor en forma suficientemente segura para protegerse a ellos mismos y a los demás contra lesiones graves.
2. Desactive las cuchillas y mueva las palancas de control de la transmisión completamente hacia afuera para poner el freno de mano antes de intentar arrancar el motor.
3. No ponga las manos ni los pies cerca de las piezas rotatorias ni debajo de la plataforma de corte. El contacto con la(s) cuchilla(s) puede amputar manos y pies.
4. Esté atento a los hoyos, surcos, baches, rocas, u otros objetos ocultos. El terreno desnivelado puede hacer que vuelque el tractor. El césped alto puede ocultar obstáculos.
5. Planifique el patrón de corte, para evitar que la descarga de material se realice hacia los caminos, las veredas, los asistentes, etc. Evite descargar material contra una pared u obstrucción, ya que esto podría hacer que el material descargado rebote contra el operador.

PRÁCTICAS DE OPERACIÓN SEGURAS

6. Revise la holgura superior antes de conducir debajo de ramas bajas de árboles, cables, cerramientos de puertas, etc., donde el operador puede golpearse o ser tirado del tractor, lo que podría resultar en lesiones graves.
7. Nunca deje el tractor en funcionamiento sin vigilancia. Apague siempre las cuchillas, mueva las palancas de control de la transmisión completamente hacia afuera a la posición de freno de mano, pare el motor y saque la llave antes de bajarse.
8. Desactive las cuchillas, mueva las palancas de control de la transmisión completamente hacia afuera para poner el freno de mano, pare el motor y espere hasta que las cuchillas se detengan por completo antes de extraer el colector de césped, vaciar el césped, desobstruir el canal, extraer el césped o los residuos o realizar cualquier ajuste.
9. Su tractor fue diseñado para cortar césped residencial normal, con una altura no mayor de 10" (25 cm). No intente cortar césped demasiado crecido, seco (por ej., pastura) ni pilas de hojas secas. El césped o las hojas que están secos pueden entrar en contacto con el escape del motor y/o acumularse en la plataforma del tractor presentando un potencial peligro de incendio.
10. Retroceda lentamente. Siempre mire hacia abajo y hacia atrás antes y mientras retrocede para evitar accidentes en retroceso.
11. Nunca lleve pasajeros.
12. Manténgase a por lo menos 10' (3 metros) de barrancos, zanjas o terraplenes o del borde del agua. El tractor puede volcarse repentinamente si una de las ruedas pasa el borde de un acantilado o zanja o si se desmorona un borde.
13. Un deflector del canal faltante o dañado puede provocar lesiones por contacto con las cuchillas o por objetos arrojados.
14. No opere el tractor si no está el deflector del canal o el colector de césped completo en su lugar correspondiente.
15. Tenga mucho cuidado con los colectores de césped y otros accesorios. Pueden modificar la estabilidad del tractor. Siga siempre las instrucciones del fabricante del accesorio.
16. Detenga la(s) cuchilla(s) cuando cruce caminos de gravilla, senderos o caminos y cuando no esté cortando el césped.
17. Vigile el tránsito vehicular cuando esté operando cerca de caminos o en cruces. Este tractor no se ha diseñado para el uso en la vía pública.
18. Úsela solamente con luz natural o con buena luz artificial.
19. No haga funcionar el tractor si se encuentra bajo los efectos del alcohol o las drogas.
20. Reduzca la velocidad antes de girar. Opere el tractor suavemente. Evite que funcione de manera errática y a excesiva velocidad.
21. El silenciador y el motor están a temperatura muy alta y pueden provocar lesiones graves por quemaduras. No los toque. Deje que se enfríe el tractor durante cinco minutos antes de intentar cualquier tarea de mantenimiento.
22. Nunca haga funcionar un motor en interiores o en un área mal ventilada. El escape del motor contiene monóxido de carbono, un gas inodoro y letal.

NIÑOS

1. Se pueden producir accidentes trágicos si el operador no está alerta a la presencia de niños. Por lo general, los niños se sienten atraídos por el tractor y su actividad. Los niños no son conscientes de los peligros. Nunca asuma que los niños permanecerán donde los vio por última vez.
2. Mantenga a los observadores, los niños y las mascotas en interiores durante la operación bajo la atenta supervisión de un adulto responsable que no sea el operador. Detenga el tractor si alguien entra en la zona.
3. Nunca transporte niños, ni siquiera con las cuchillas desactivadas. Podrían caerse y resultar gravemente heridos o interferir con la operación segura del tractor. Los niños que ya hubieran sido transportados en ocasiones anteriores podrían aparecer repentinamente en la zona de corte para otra vuelta y ser atropellados o también podrían ser arrollados al dar marcha atrás con el tractor.
4. Esté alerta y apague el tractor si un niño o un observador ingresa al área.
5. Para evitar accidentes al retroceder, siempre mire hacia atrás y hacia abajo para ver si hay niños.
6. Tenga mucho cuidado al aproximarse a esquinas ciegas, puertas, arbustos, árboles u otros objetos que puedan obstaculizarle la vista de un niño que pudiese correr al encuentro del tractor.
7. No permita nunca que los niños menores de 14 años utilicen este tractor. Los niños de 14 años en adelante deben leer y entender las instrucciones y las medidas de seguridad contenidas en este manual y sobre el tractor, y deben ser entrenados y supervisados por un adulto.
8. No permita que se transporte a ningún niño por diversión en el tractor. El tractor no es un juguete ni un carro de paseo. Advértales a sus hijos que el tractor puede ser peligroso y que deben mantenerse alejados de él en todo momento.
9. Mantenga a los niños alejados de los motores calientes o en funcionamiento. Pueden sufrir quemaduras al tocar un silenciador caliente.
10. Retire la llave cuando el tractor quede sin vigilancia para evitar el funcionamiento no autorizado. Asegúrese de que la llave quede fuera del alcance de los niños pequeños.

FUNCIONAMIENTO EN PENDIENTES

1. Las pendientes son un factor importante en los accidentes ocasionados por pérdida de control y vuelcos que pueden causar lesiones graves e incluso la muerte. Todas las pendientes requieren precaución extra. Si no puede retroceder por la pendiente o si no se siente seguro, no realice ningún corte.

PRÁCTICAS DE OPERACIÓN SEGURAS

- Para su seguridad, mida las pendientes antes de usar el tractor en el lugar inclinado. Use un dispositivo de medición de pendientes además del indicador de pendiente que se incluye como parte de este manual para medir las pendientes antes de operar este tractor sobre una zona inclinada o con pendientes. Para medir las pendientes, también se pueden usar aplicaciones de teléfonos inteligentes. Si la pendiente es de más de 15° (25%), como se muestra en el indicador de pendientes o un dispositivo de medición de pendientes, no haga funcionar este tractor en ese sector o podría causar lesiones graves.
- No corte el césped en pendientes de más de 15° (25%).
- No corte el césped subiendo o bajando pendientes, solo hágalo de forma transversal a las pendientes que son de menos de 15° (25%). Utilice las velocidades bajas y evite los giros bruscos.
- No corte el césped húmedo. La reducción de la tracción puede causar derrapes o pérdidas del control.
- No opere el tractor en ninguna condición en la que se comprometan la tracción, la dirección o la estabilidad. Los neumáticos podrían deslizarse incluso si las ruedas están detenidas.
- Evite arrancar y parar en una pendiente. Evite hacer cambios repentinos de velocidad o dirección. Haga los giros de forma lenta y gradual.
- Tenga mucho cuidado al operar este tractor con el colector de césped y otros accesorios. Pueden comprometer la estabilidad del tractor. No utilice el colector de césped en pendientes superiores a 10° (17%).
- No intente estabilizar el tractor poniendo el pie en el suelo.
- Haga que todos los movimientos en las pendientes sean lentos y graduales. No realice cambios bruscos de velocidad o dirección. La aceleración repentina podría hacer que el frente del tractor se levantara y volcara rápidamente hacia atrás, lo que podría producir lesiones graves o la muerte.
- Alinee cualquiera de los lados del indicador de pendiente con el objeto.
- Ajuste el indicador hacia arriba o abajo hasta que la esquina izquierda toque la pendiente.
- Si hay una separación por debajo del indicador, significa que la pendiente es demasiado empinada para una operación segura.

INCENDIOS Y COMBUSTIBLE

- Para evitar lesiones personales o daños materiales sea sumamente cuidadoso al manipular la gasolina. La gasolina es sumamente inflamable y sus vapores son explosivos. Si se derrama gasolina encima o sobre la ropa se puede lesionar gravemente ya que se podría prender fuego. Lávese la piel y cámbiese de ropa de inmediato.
- Apague los cigarrillos, cigarros, pipas y toda otra fuente de combustión.
- Utilice sólo recipientes para gasolina aprobados.
- Nunca saque la tapa del combustible ni agregue combustible mientras el motor está caliente o en marcha. Deje que el motor se enfríe por lo menos cinco minutos antes de volver a cargar combustible.
- Nunca cargue combustible en los tractores en interiores.
- Nunca guarde el tractor o el recipiente de combustible en un espacio cerrado donde haya fuego, chispas o luz piloto, como por ejemplo de calentadores de agua, calefactores de ambientes, hornos, secadores de ropa u otros aparatos a gas.
- Limpe la gasolina que se pueda haber derramado sobre el motor y el equipo. Limpie los derrames de combustible o de aceite y elimine los residuos empapados con gasolina. Traslade el tractor a otra zona. Espere 5 minutos antes de arrancar el tractor.
- Para reducir el riesgo de incendio, mantenga el tractor limpio de pasto, hojas y residuos acumulados. Siga las instrucciones de Cuidado del tractor posterior al funcionamiento de la sección de Servicio y Mantenimiento.
- Su tractor fue diseñado para cortar césped residencial normal, con una altura no mayor de 10" (25 cm). No intente cortar césped demasiado crecido, seco (como un pastizal) ni pilas de hojas secas. El césped o las hojas que están secos pueden entrar en contacto con el escape del motor y/o acumularse en la plataforma del tractor presentando un potencial peligro de incendio.
- Nunca llene en exceso el depósito de combustible. Llene el tanque no más de 1/2 pulgada (13 mm) por debajo de la base del cuello de llenado, para dejar espacio para la expansión del combustible.
- Vuelva a colocar la tapa del depósito de gasolina y ajústela bien. No opere el tractor si la tapa del combustible no está colocada en su lugar.
- Deje que el tractor se enfríe por lo menos cinco minutos antes de cargarle combustible o guardarlo.
- Nunca llene los recipientes en el interior de un vehículo o camión o caja de remolque con un recubrimiento plástico. Siempre ubique los recipientes en el piso, lejos del vehículo antes de llenarlos.

INDICADOR DE PENDIENTE (CUBIERTA POSTERIOR)

ADVERTENCIA

Las pendientes son un factor importante en los accidentes ocasionados por derrapes y caídas y pueden producir lesiones graves. Todas las pendientes requieren precaución extra. Si no se siente seguro en una pendiente, no corte el césped. No corte el césped en pendientes de más de 15° (25%). Siempre corte el césped de forma transversal a la pendiente, nunca hacia arriba y hacia abajo.

¡PARA DETERMINAR SI UNA PENDIENTE ES DEMASIADO EMPINADA Y EVITAR RIESGOS, USE EL INDICADOR DE PENDIENTE QUE APARECE EN LA CUBIERTA POSTERIOR COMO SE MUESTRA!

Para comprobar la pendiente, proceda de la siguiente manera:

- Abra el manual en la página y dóblela por la línea de puntos.
- Ubique un objeto vertical que esté sobre la pendiente o detrás de la misma (p. ej., un poste, un edificio, un cerco, un árbol, etc.).

PRÁCTICAS DE OPERACIÓN SEGURAS

14. Cuando sea factible, retire el equipo a gasolina del camión o remolque y llénelo en el suelo. Si esto no es posible, recargue combustible sobre el remolque con un recipiente portátil, en lugar de una boquilla dosificadora de combustible.
15. En todo momento, mantenga el pico en contacto con el borde del depósito de combustible o con la boca del recipiente, hasta terminar la carga. No utilice un dispositivo de bloqueo/apertura de boquilla.

TRANSPORTE

1. Utilice rampas de ancho total bien sujetas para cargar y descargar un tractor para el transporte.
2. Tenga mucho cuidado al cargar o descargar el tractor en un remolque o camión. Este tractor no debe conducirse subiendo o bajando rampas, ya que el tractor podría volcar y provocar lesiones personales graves. El tractor se debe empujar a mano en rampas para cargarlo o descargarlo correctamente.
3. Eleve la plataforma hasta la posición más alta para tener separación para la carga.

REMOLQUE

1. No remolque cargas que superen las 250 libras (113 kg) de peso de arrastre y nunca supere las 50 libras (22 kg) de peso sobre el punto de enganche.
2. No acople equipo remolcado excepto en el punto de enganche del tractor.
3. Nunca permita que los niños y otras personas se suban a equipos remolcados.
4. No remolque en pendientes de más de 5° (9%). En las pendientes, el peso del equipo remolcado puede causar pérdida de tracción y pérdida de control, y/o de la capacidad para detenerse.
5. Siempre tenga mucho cuidado al remolcar con un tractor capaz de hacer giros cerrados (por ejemplo, tractor cortacésped con radio de giro cero). Realice giros amplios para el acodillamiento.
6. Desplácese lentamente y deje distancia adicional para detenerse.

SERVICIO

1. Mantenga la máquina en buenas condiciones de funcionamiento. No use el tractor hasta que se reemplacen las piezas desgastadas o dañadas.
2. Para evitar lesiones graves o la muerte, no modifique el motor de ninguna manera. Si cambia la configuración del regulador, el motor podría funcionar a velocidades inseguras. Nunca modifique el ajuste de fábrica del regulador del motor. No cambie la configuración del regulador del motor ni acelere demasiado el motor. El regulador del motor controla la velocidad máxima de funcionamiento seguro del motor.
3. Las cuchillas del tractor son afiladas. Envuelva la cuchilla o utilice guantes y extrene las precauciones cuando les haga mantenimiento.
4. Los tractores que tienen motores, mangueras o bombas hidráulicas, y/o sistemas de inyección diesel tienen sistemas de líquidos bajo presión. El líquido que escapa a presión puede tener fuerza suficiente para penetrar la piel y causar lesiones graves. Si se inyecta líquido en la piel, consulte de inmediato a un médico. Mantenga el cuerpo y las manos alejados de los orificios de pasadores o los picos que expulsan líquido a alta presión. Si ocurre una pérdida, haga que un distribuidor autorizado realice el mantenimiento del tractor de inmediato.
5. Antes de limpiar, reparar o inspeccionar la máquina, compruebe que la(s) cuchilla(s) y todas las piezas móviles se hayan detenido. Apague el motor, saque la llave y desconecte los cables de la bujía y póngalos haciendo tierra contra el motor para evitar que se encienda accidentalmente.
6. Controle que las cuchillas se detengan completamente en no más de cinco segundos después de desactivar el control de desactivación de las cuchillas según el intervalo que figura en la tabla del Programa de Mantenimiento dentro de la sección Servicio y Mantenimiento de este manual. Mida el tiempo hasta la detención con un cronómetro. Si las cuchillas no se detienen completamente en menos de cinco segundos, su tractor debe ser reparado por un profesional en un distribuidor de servicio autorizado.
7. Controle el correcto funcionamiento del sistema de enclavamiento de seguridad según el intervalo que figura en la tabla del Programa de Mantenimiento dentro de la sección Servicio y Mantenimiento de este manual. Si el sistema de enclavamiento de seguridad no funciona correctamente, lleve su tractor a hacerle un servicio profesional por un distribuidor autorizado.
8. Nunca altere el sistema de enclavamiento de seguridad u otros dispositivos de seguridad. Compruebe regularmente que estos elementos funcionen correctamente.
9. Controle el par de ajuste del perno de montaje del motor y las cuchillas de acuerdo con la tabla del Programa de Mantenimiento de este manual. Además, inspeccione visualmente las cuchillas para detectar la presencia de daños (por ejemplo: desgaste excesivo, abolladuras, rajaduras). Reemplace las cuchillas por cuchillas de los fabricantes del equipo original (O.E.M.) únicamente.
10. El uso de piezas que no cumplen con las especificaciones del equipo original puede resultar en rendimiento inadecuado y poner en peligro la seguridad.
11. Mantenga todos los pernos, tuercas y tornillos bien ajustados para asegurarse que la máquina se encuentra en condiciones seguras de operación. Revise la tabla del Programa de Mantenimiento que figura en este manual para obtener información sobre el intervalo de servicio.
12. Después de golpear algún objeto extraño, detenga el motor, desconecte los cables de la bujía y conéctelos a tierra con el motor. Revise el tractor cuidadosamente para detectar daños. Repare el daño antes de volver a arrancar y operar la máquina.
13. Nunca intente hacer ajustes o arreglos en el tractor con el motor en marcha.

PRÁCTICAS DE OPERACIÓN SEGURAS

14. Los componentes del colector de césped y el deflector del canal están sujetos a desgaste y daños lo que podrían dejar expuestas las piezas móviles o permitir que se arrojaran objetos. Verifique frecuentemente los componentes y reemplácelos inmediatamente por piezas del fabricante del equipo original (O.E.M.) únicamente.
15. Mantenga o reemplace las etiquetas de seguridad e instrucciones según sea necesario.
16. Respete las normas y reglamentaciones sobre la manera correcta de desechar gasolina, aceite, etc. para proteger el medio ambiente.

AVISO SOBRE EMISIONES

Los motores tienen la certificación de cumplimiento de las reglamentaciones sobre emisiones federales de EPA y California para SORE (equipo pequeño para uso fuera de carreteras), funcionan con gasolina normal sin plomo y pueden incluir los siguientes sistemas de control de emisiones: Modificación de motor (EM) y catalizador de tres vías (TWC) si están equipados con esos sistemas.

Cuando sea necesario, los modelos están equipados con líneas de combustible y depósitos de combustible de baja penetración para controlar las emisiones por evaporación. Los modelos de California también pueden incluir un filtro de carbono. Por favor, póngase en contacto con Atención al Cliente para obtener información sobre la configuración del control de emisiones por evaporación para su modelo.

SÍMBOLOS DE SEGURIDAD

En esta tabla, se presentan y describen los símbolos de seguridad que PUEDEN APARECER en este producto.

Símbolo	Descripción
 <p>OPESymbol.com</p>	<p>ADVERTENCIA – LEA EL MANUAL DEL OPERADOR</p> <p>Lea, entienda y cumpla todas las reglas e instrucciones de seguridad que se incluyen en el manual y en el tractor antes de intentar utilizar este tractor. Si no cumple con lo que indica esta información, se pueden provocar lesiones personales o la muerte. Conserve este manual en un lugar seguro para usarlo como referencia futura habitual. Con un teléfono inteligente, escanee el símbolo del código de QR para obtener más información sobre las advertencias incluidas en este tractor. También puede visitar www.OPESymbol.com para obtener más información.</p>
	<p>ADVERTENCIA – EVITE LESIONES POR OBJETOS ARROJADOS</p> <p>Mantenga a los asistentes por lo menos a 75' (23 metros) del tractor durante la operación. Saque todas las piedras, palos, cables, huesos, juguetes y demás objetos extraños que puedan ser recogidos y arrojados por la(s) cuchilla(s). Nunca opere el tractor si no está bien colocada la cubierta de descarga o si no está instalado el colector de césped completo en el lugar que corresponde.</p>
	<p>ADVERTENCIA – EVITE LESIONES EN NIÑOS AL RETROCEDER / POR ATROPELLAR/POR CONTACTO CON LAS CUCHILLAS</p> <p>Para evitar accidentes al retroceder, siempre mire hacia atrás y hacia abajo para ver si hay niños. Nunca transporte niños, ni siquiera con las cuchillas desactivadas. Mantenga a los observadores, los niños y las mascotas en interiores durante la operación bajo la atenta supervisión de un adulto responsable que no sea el operador. Detenga el tractor si alguien entra en la zona.</p>

AMORTIGUADOR DE CHISPAS

⚠ ADVERTENCIA

Esta cortadora de césped está equipada con un motor de combustión interna y no debe ser utilizada en o cerca de un terreno agreste cubierto por bosque, malezas o hierba a manos que el sistema de escape del motor esté equipado con un amortiguador de chispas que cumpla con las leyes locales o estatales correspondientes (en caso de existir).

Si se utiliza un amortiguador de chispas, el operador lo debe mantener en condiciones de uso adecuadas. En el Estado de California, las medidas anteriormente mencionadas son exigidas por ley (Artículo 4442 del Código de Recursos Públicos de California). Es posible que existan leyes similares en otros estados. Las leyes federales se aplican en territorios federales.

Puede conseguir el amortiguador de chispas para el silenciador a través de su distribuidor autorizado de motores más cercano o poniéndose en contacto con el departamento de servicios, P.O. Box 361131, Cleveland, Ohio 44136-0019.

PRÁCTICAS DE OPERACIÓN SEGURAS

Símbolo	Descripción
	<p>ADVERTENCIA – EVITE LESIONES POR VUELCOS</p> <p>No opere la máquina en una pendiente mayor de 15° (25%). No corte el césped subiendo o bajando pendientes, solo hágalo de forma transversal a las pendientes que son de menos de 15° (25%). Utilice las velocidades bajas y evite los giros bruscos en las pendientes. Manténgase a por lo menos 10' (3 metros) de barrancos, zanjas o terraplenes o del borde del agua.</p>
	<p>ADVERTENCIA – EVITE INCENDIOS</p> <p>Su tractor fue diseñado para cortar césped residencial normal, con una altura no mayor de 10" (25 cm). No intente cortar césped demasiado crecido, seco (como un pastizal) ni pilas de hojas secas. Deje que el tractor se enfríe por lo menos cinco minutos antes de cargarle combustible o guardarlo en un garaje cerrado o en una barraca de almacenamiento.</p>
	<p>ADVERTENCIA – EVITE LESIONES DE AMPUTACIÓN</p> <p>No ponga las manos ni los pies cerca o debajo de la plataforma de corte. El contacto con la(s) cuchilla(s) puede amputar manos y pies.</p>
	<p>ADVERTENCIA – EVITE LESIONES DE AMPUTACIÓN</p> <p>No ponga las manos ni los pies cerca de las piezas rotatorias ni debajo de la plataforma de corte. El contacto con la(s) cuchilla(s) puede amputar manos y pies. Compruebe que todos los dispositivos de seguridad (protecciones, escudos, interruptores, etc.) estén en su lugar y funcionando. El contacto con las correas y/o el husillo de las cuchillas puede aplastar o lesionar partes del cuerpo.</p>
	<p>ADVERTENCIA – EVITE LAS LESIONES POR PUNTOS DE APLASTAMIENTO/COMPRESIÓN</p> <p>Lea, entienda y cumpla todas las reglas e instrucciones de seguridad que se incluyen en el manual y en el tractor antes de intentar realizar el mantenimiento de este tractor. Para los modelos de elevación con el pie únicamente, el sistema de elevación de la plataforma se acciona por resorte y bajo tensión. Utilice siempre la herramienta para usos múltiples provista para fijar el sistema de elevación en la posición de bloqueo antes de intentar extraer la plataforma de la cortadora de césped.</p>
	<p>ADVERTENCIA – SACAR LA LLAVE</p> <p>Apague siempre las cuchillas, mueva las palancas de control de la transmisión hacia afuera a la posición de freno de mano, pare el motor y saque la llave antes de bajarse. Si va a dejar el tractor sin supervisión, saque siempre la llave para evitar que niños u otras personas utilicen el tractor sin autorización.</p>
	<p>ADVERTENCIA – EVITE LAS LESIONES RELACIONADAS CON EL REMOLQUE</p> <p>No remolque cargas que superen las 250 libras (113 kg) de peso de arrastre y nunca supere las 50 libras (22 kg) de peso sobre el punto de enganche. Nunca permita que los niños y otras personas se suban a equipos remolcados. No remolque en pendientes de más de 5° (9%). En las pendientes, el peso del equipo remolcado puede causar pérdida de tracción y pérdida de control, y/o de la capacidad para detenerse. Desplácese lentamente y deje distancia adicional para detenerse.</p>

⚠ ADVERTENCIA

Su responsabilidad—Limite el uso de esta máquina motorizada a las personas que lean, comprendan y respeten las advertencias e instrucciones que aparecen en este manual y en la máquina - ¡GUARDE ESTAS INSTRUCCIONES!

MONTAJE

NOTA: Este manual de operación, corresponde a varios modelos. Las características del tractor pueden variar según los modelos. No todas las características que se incluyen en este manual se aplican a todos los modelos de tractor y la máquina que se ilustra aquí puede diferir de la suya.

NOTA: Todas las referencias que contiene este manual sobre los lados derecho o izquierdo y trasero o delantero del tractor se hacen siempre desde la posición de operación. Las excepciones, si las hubiere, serán especificadas.

Preparativos

MUEVA EL TRACTOR MANUALMENTE

1. Para engranar las varillas de derivación de transmisión, tire de la varilla hacia atrás (a) y hacia el interior de la sección inferior de la ranura "J". Repita en el lado contrario. Consulte la Figura 1.

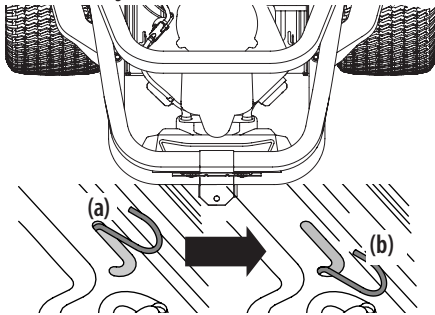


Figura 1

2. Después de mover el tractor, haga el paso uno a la inversa para desenganchar las varillas de derivación de transmisión.
3. Retire el adaptador del pico del sistema de lavado de la plataforma (si está equipado) de la bolsa manual, guárdelo para uso futuro.

INSTALE EL ENGANCHE (SI FUERA NECESARIO)

1. Ubique el enganche (a) e instálelo en la parte trasera del bastidor con los dos tornillos de arandela hexagonal (b) proporcionados. Consulte la Figura 2.

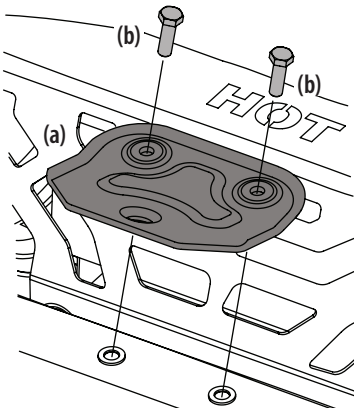


Figura 2

NOTA: El enganche y los tornillos de arandela hexagonal estarán en el paquete de herrajes.

REUBIQUE EL ARO SUPERIOR (SI FUERA NECESARIO)

Se puede ubicar el aro superior abajo para fines de envío.

1. Extraiga los dos tornillos de arandela hexagonal (a) que están instalados parcialmente en el bastidor. Consulte la Figura 3.

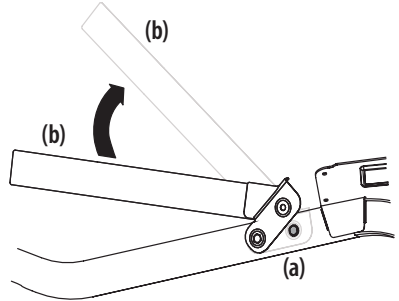


Figura 3

2. Gire el aro superior (b) hasta que quede en su posición. Consulte la Figura 3.
3. Sujete el aro en su lugar con los tornillos de arandela hexagonal que extrajo en el paso 1. Ajuste los tornillos de arandela hexagonal hasta 159-239 pulgadas-libras (18-27 N-m).

Instale el asiento del operador

AJUSTE DE PERILLA O AJUSTE DE PALANCA

1. Corte cualquier tira que sujete el conjunto del asiento al tractor. Extraiga todo el material de embalaje.

NOTA: Tenga cuidado de no cortar el arnés de cables del asiento.

2. Instale el asiento en la bandeja del asiento (a) usando los herrajes proporcionados. Consulte la Figura 4.
 - a. Para el asiento que se ajuste con perillas, inserte los pernos (b) en los orificios traseros y trabe la arandela (c) y las perillas (d) en el frente. Ajuste bien. Consulte la Figura 4.

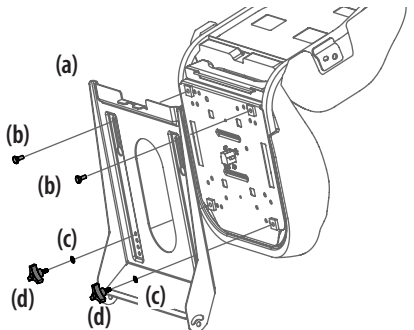


Figura 4

MONTAJE

- b. Para un asiento con ajuste de palanca, use las tuercas de seguridad con brida (a) y las arandelas planas (b). Consulte la Figura 5.

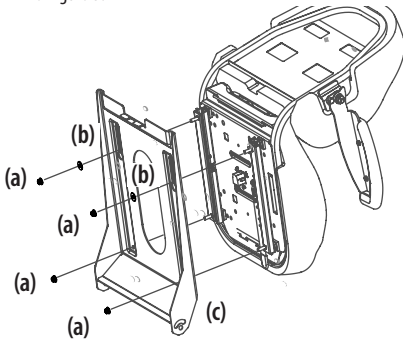


Figura 5

3. Si es necesario, conecte el arnés de cables del interruptor del asiento (a) al interruptor del asiento (b). Consulte la Figura 6. Sujete el cable sobrante alejado de los puntos de apriete antes de continuar.

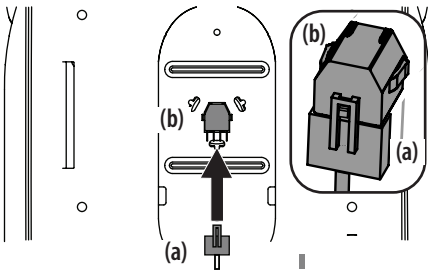


Figura 6

NOTA: El tractor no funcionará sin el arnés de cables del interrupto del asiento en su lugar.

Ubique en posición las palanca de control del la transmisión de la barra de seguridad (lapbar)

Estas palancas se pueden ajustar arriba/abajo y adelante/atrás para comodidad del operador. Están disponibles tres posiciones de altura y/o las palancas se pueden girar hacia adelante o atrás usando perilla.

Para ajustar la altura de la palanca de control de la transmisión de barra de seguridad, proceda de la siguiente manera:

1. Extraiga los dos tornillos de carro (a) y las dos tuercas de seguridad con brida (b) que sujetan la palanca de control de la transmisión de barra de seguridad (c) hasta el regulador de palanca superior (d). Consulte la Figura 7.

NOTA: La herramienta para usos múltiples (si está equipada) se puede usar para hacer este ajuste.

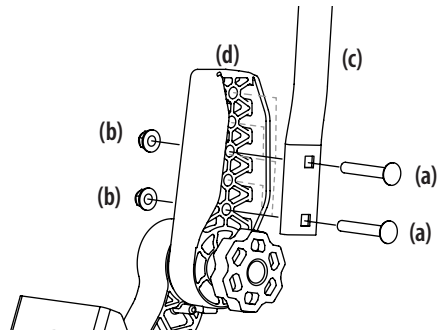


Figura 7

2. Mueva la palanca de control de la transmisión de barra de seguridad hasta una de las tres alturas disponibles y sujétela en su lugar con los tornillos del carro y las tuercas de seguridad con brida. Consulte la Figura 7.

Para ajustar las palancas de control de la transmisión de barra de seguridad hacia adelante o hacia atrás, proceda de la siguiente forma:

3. Gire la perilla (a) en el sentido contrario a las agujas del reloj para flojar la perilla (a). Consulte la Figura 8.
4. Eleve y gire la palanca de control de la transmisión de barra de seguridad hasta la posición deseada.
5. Gire la perilla en el sentido de las agujas del reloj para asegurar la palanca de control de la transmisión de barra de seguridad hasta su posición. Consulte la Figura 8.
6. Si las palancas de control no se alinean después de ajustar la perilla, afloje las tuercas (b), alinee las palancas de control y vuelva a apretar las tuercas. Una vez que se realiza este ajuste fino, las palancas de control se alinearán al usar el ajuste de la perilla. Consulte la Figura 7.

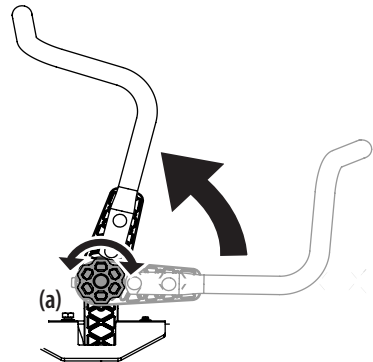


Figura 8

Baje el deflector del canal de la plataforma

⚠ ADVERTENCIA

Nunca opere la plataforma de corte sin el deflector del canal instalado y en posición baja.

COLOCACIÓN DEL DEFLECTOR DEL CANAL DE DESCARGA (SI FUERA NECESARIO)

1. Retire las chavetas que están sujetas con una unión con cierre al soporte del canal.
2. Retire la tuerca de seguridad con brida y el tornillo hexagonal de la plataforma.
3. Ubique el deflector del canal en la plataforma, asegúrese de insertar las lengüetas de dicho deflector en los orificios de la plataforma. Consulte la Figura 9.

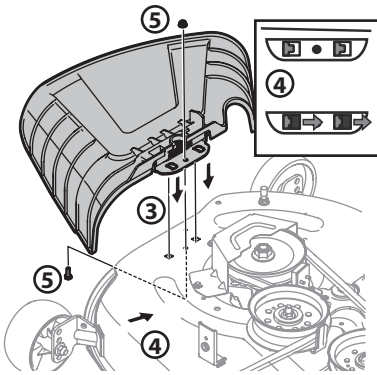


Figura 9

4. Deslice el deflector del canal hacia la parte posterior del tractor hasta que el orificio del perno que está en el deflector del canal quede alineado con el orificio de la plataforma. Consulte la Figura 9.
5. Sujete el deflector del canal en su lugar con la tuerca de seguridad con brida y el tornillo hexagonal que se extrajeron en el paso dos. Ajuste hasta 102-124 pulgadas-libras (11.5-14 N-m). Pase a Ajuste de las ruedas de calibración delanteras.

QUITANDO EL SOPORTE DE TOPE (SI FUERA NECESARIO)

1. Si el canal se envía sujeto y con un soporte de tope que lo mantiene en posición vertical, los soportes de tope se deben extraer antes de utilizar el tractor.
2. Sujete el deflector del canal completamente hacia arriba, extraiga el soporte de tope. Baje el deflector del canal y deseche el soporte de tope. Consulte la Figura 10.

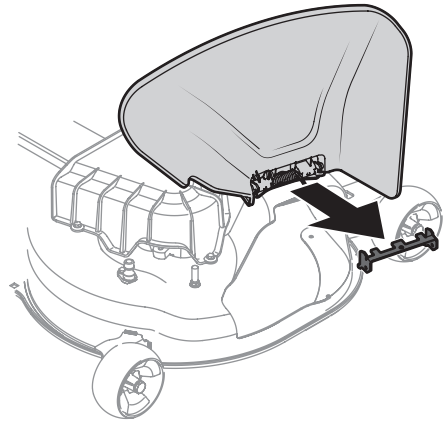


Figura 10

Ajuste de las ruedas de calibración delanteras (si están instaladas)

NOTA: Las ruedas de la plataforma constituyen un mecanismo para el cuidado del césped y no fueron diseñadas para soportar el peso de la plataforma de corte.

1. Mueva el tractor a una superficie nivelada, preferentemente pavimentada.
2. Controle la presión de los neumáticos, ajuste si es necesario. Consulte la pared lateral de los neumáticos para averiguar las presiones de inflado adecuadas.
3. Asegúrese de que la plataforma esté nivelada de un lado a otro, y adecuadamente inclinada. Consulte en la sección Servicio y Mantenimiento para obtener información e instrucciones para nivelar la plataforma.
4. Coloque la palanca de elevación de la plataforma en la posición de altura de corte deseada y se baje la plataforma.
5. Controle si las ruedas están en contacto con la superficie de abajo o si hay una separación excesiva.

- NOTA:** Las ruedas de la plataforma deben tener entre 1/4" (6.35 mm) y 1/2" (12.7 mm) de separación del suelo.
6. Extraiga la tuerca y seguridad (a) rueda de calibración (b) y el tornillo con reborde (c) de la plataforma. Consulte la Figura 11.

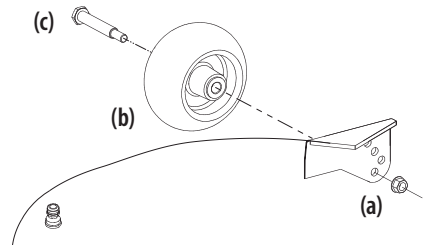


Figura 11

MONTAJE

7. Inserte el tornillo con reborde en uno de los cuatro orificios de posicionamiento, en el del soporte de rueda de calibración delantera. Deje 1/4-1/2" (6.35-12.7 mm) de separación entre el suelo y la rueda de calibración.
8. Observe el orificio de posicionamiento de la rueda que se acaba de ajustar anteriormente. Repita el ajuste en el lado contrario para alinear ambas ruedas de calibración.

NOTA: Consulte la sección Ajustes en este manual para encontrar más información.

INFORMACIÓN SOBRE LA BATERÍA

⚠ ADVERTENCIA

PROPOSICIÓN 65 DE CALIFORNIA: Los terminales y contactos de la batería, y los accesorios afines contienen plomo y compuestos de plomo, sustancias químicas que el Estado de California considera que pueden producir cáncer y daños en el sistema reproductivo. Lávese las manos después de estar en contacto con estos componentes.

⚠ ADVERTENCIA

En caso de que se produzca una salpicadura accidental de ácido en los ojos o la piel, enjuague el área afectada inmediatamente con agua limpia fría. Consulte a un médico inmediatamente.

Si el ácido salpica la ropa, en primer lugar dilúyalo con agua limpia, luego neutralícelo con una solución de agua/amoniaco o bicarbonato/agua.

NUNCA conecte (o desconecte) las abrazaderas del cargador de la batería a la batería si el cargador está encendido, ya que puede causar chispas.

Mantenga todas las fuentes de combustión (cigarrillos, cerillas, encendedores) alejadas de la batería. El gas generado durante la carga puede ser combustible.

Como precaución adicional, cargue la batería únicamente en un área bien ventilada.

Siempre proteja sus ojos y su piel y vestimenta cuando trabaje cerca de baterías.

Las baterías contienen ácido sulfúrico y pueden producir gases explosivos. Tenga sumo cuidado cuando manipule baterías. Mantenga las baterías lejos del alcance de los niños.

La batería puede generar riesgo de incendio o quemadura química si se la usa incorrectamente. **NO** abra, desensamble, sobrecaliente o incinere la batería.

⚠ PRECAUCIÓN

Quando coloque los cables de la batería, conecte siempre primero el cable POSITIVO (rojo) a su terminal, y a continuación el cable NEGATIVO (negro).

NOTA: El terminal positivo de la batería está marcado como Pos. (+). El terminal negativo de la batería está marcado como Neg. (-).

CONEXIÓN DE LOS CABLES DE LA BATERÍA

⚠ ADVERTENCIA

Siempre conecte el conductor positivo a la batería antes de conectar el conductor negativo. Esto evita la generación de chispas o posibles lesiones producidas por un cortocircuito eléctrico causado por el contacto del cuerpo del tractor con las herramientas que se usan para conectar los cables.

Por razones relacionadas con el embarque, la fábrica puede dejar los dos cables de la batería desconectados de los terminales. Para conectar los cables de la batería, proceda de la siguiente manera:

NOTA: El mazo de cables debería colocarse sobre la parte superior de la barra de sujeción de batería. De no ser así, el mazo de cables podría resultar dañado. Consulte la Figura 15 en la página 44.

Modelos con batería de ácido-plomo

1. Retire la cubierta plástica, si está presente, del terminal positivo de la batería. Conecte el cable rojo al terminal positivo de la batería (+) utilizando el perno (a) y la tuerca hexagonal (b). Consulte la Figura 12.
2. Retire la cubierta plástica, si está presente, del terminal negativo de la batería y conecte el cable negro al terminal negativo de la batería (-) utilizando el perno (a) y la tuerca hexagonal (b). Consulte la Figura 12.
3. Coloque el capuchón de goma rojo (c) sobre el terminal positivo de la batería para protegerlo contra la corrosión. Consulte la Figura 12.

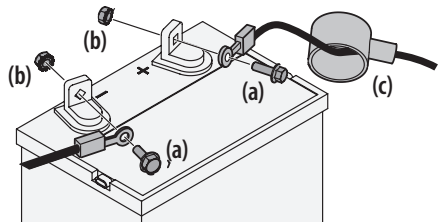


Figura 12

NOTA: Si la batería se pone en funcionamiento después de la fecha indicada en su parte superior o al costado de la misma, cárguela siguiendo las instrucciones de la sección Carga de la batería antes de operar el tractor.

Modelos con batería AGM

1. Extraiga los tornillos hexagonales (a) y las tuercas cuadradas (b) situados en el extremo del arnés de cables o en la bolsa que acompaña a este manual. Guarde los herrajes para uso posterior. Consulte la Figura 13.
2. Retire la cubierta plástica (c), si está presente, del borne positivo de la batería (d) y una el cable rojo (e) al borne positivo de la batería (b) utilizando uno de los tornillos hexagonales (a) y las tuercas cuadradas (b) que se extrajeron en el paso 1. Use un destornillador Philips. Consulte la Figura 13.

MONTAJE

3. Retire la cubierta plástica (c), si está presente, del borne negativo de la batería (f) y una el cable negro (g) al borne negativo de la batería (f) utilizando el tornillo hexagonal restante (a) y la tuerca cuadrada (b). Consulte la Figura 13.
4. Coloque el capuchón de caucho rojo por encima del borne positivo de la batería para protegerlo contra la corrosión. Vea el inserto en la Figura 13.

NOTA: Si la batería se pone en funcionamiento después de la fecha indicada en su parte superior o al costado de la misma, cárguela siguiendo las instrucciones de la sección Carga de la batería antes de operar el tractor.

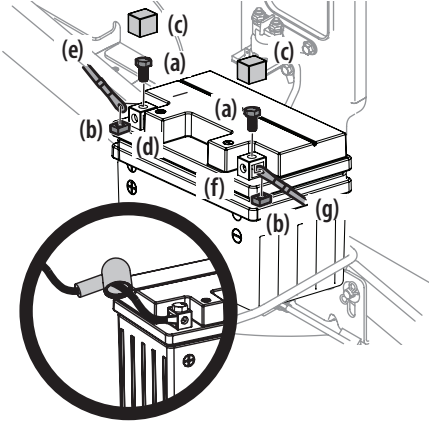


Figura 13

MANTENIMIENTO DE LA BATERÍA

- Algunas baterías se llenan con ácido de batería y se sellan en la fábrica. Sin embargo, para asegurar un ciclo de vida adecuado es necesario realizar cierto mantenimiento, aún en las baterías 'sin mantenimiento'.
- Rocíe los terminales y el cable expuesto con un sellador de terminales de batería, o recubra los terminales con una capa delgada de grasa o vaselina para protegerlos contra la corrosión.
- Siempre mantenga limpios y libres de corrosión los cables y los terminales de la batería.
- Algunos modelos vienen equipados con una batería que contiene un electrolito líquido. Manipule la batería con cuidado y evite inclinarla para evitar fugas.

ALMACENAMIENTO DE LA BATERÍA

- Cuando el tractor se guarda durante períodos prolongados, desconecte el cable negativo de la batería. No es necesario retirar la batería.
- Todas las baterías se descargan durante el almacenamiento. Mantenga el exterior de la batería limpio, especialmente la parte superior. Una batería sucia se descarga con mayor rapidez.
- La batería debe guardarse con carga completa. Una batería descargada se puede congelar más pronto que una batería cargada. Una batería con carga completa se guarda por más tiempo en temperaturas frías que en temperaturas altas.

- Vuelva a cargar la batería antes de volver a ponerla en servicio. Aun cuando el tractor pueda arrancar, el sistema de carga del motor tal vez no recargue totalmente la batería.

RETIRO DE LA BATERÍA

⚠ ADVERTENCIA

Los bornes, terminales y accesorios de la batería contienen plomo y compuestos de plomo. Lávese las manos después de estar en contacto con estos componentes.

La batería está ubicada debajo del marco del asiento. Para retirar la batería:

Modelos con batería de ácido-plomo

1. Retire el tornillo de cabeza hexagonal y la tuerca Sems que fijan el conductor negativo negro de la batería al borne negativo de la batería (marcado 'NEG' (-)). Aleje el cable del terminal negativo de la batería.
2. Retire el tornillo de cabeza hexagonal y la tuerca Sems que fijan el conductor positivo rojo de la batería al borne positivo de la batería (marcado 'POS' (+)).
3. Extraiga el tornillo de cabeza hexagonal con arandela (a) que sujeta la barra de sujeción de la batería al marco (b). Luego levante la barra de sujeción (b) de la batería para liberar la batería. Consulte la Figura 14.

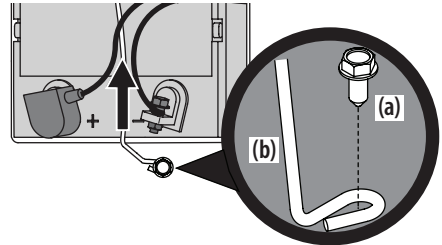


Figura 14

4. Levante con cuidado la batería para sacarla del tractor.
5. Instale la batería repitiendo los pasos anteriores en orden inverso.

Modelos con batería AGM

1. Retire el tornillo hexagonal y la tuerca cuadrada que fijan el conductor negativo negro de la batería al borne negativo de la batería (marcado 'NEG' (-)). Aleje el cable del borne negativo de la batería.
2. Retire el tornillo hexagonal y la tuerca cuadrada que fijan el conductor positivo rojo de la batería al borne positivo de la batería (marcado 'POS' (+)).

3. Extraiga el tornillo de arandela hexagonal (a) que sujeta la barra de sujeción de la batería al bastidor (b). Luego levante la barra de sujeción de la batería (b) para liberar la batería. Consulte la Figura 15.

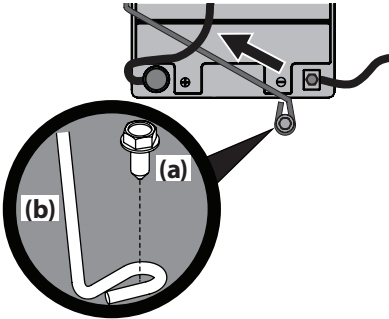


Figura 15

4. Levante con cuidado la batería para sacarla del tractor.
5. Instale la batería repitiendo los pasos anteriores en orden inverso.

CARGA DE LA BATERÍA

Si el tractor ha estado guardado durante un tiempo, pruebe la batería y, si es necesario, recárguela.

Modelos con batería de ácido-plomo

- Una lectura del voltímetro o del comprobador de carga de 12,4 voltios (DC) o menos a través de los terminales de la batería indica que la batería necesita ser cargada.
- Debe utilizarse un cargador de batería de ácido-plomo. La tasa recomendada de carga es 4A/14.7V.
- Si su cargador de batería es automático, cargue la batería hasta que el cargador indique que se ha completado la carga. Si el cargador no es automático, cargue durante ocho (8) horas como mínimo.

Modelos con batería AGM

- Debe utilizarse un cargador de batería AGM. La tasa recomendada de carga es 1.1A/14.8V.

¡IMPORTANTE! NO use un cargador para automóviles.

- Si su cargador de batería es automático, cargue la batería hasta que el cargador indique que se ha completado la carga. Si el cargador no es automático, cargue durante ocho (8) horas como mínimo.

Ajuste del asiento

AJUSTE POR PERILLA

1. Extraiga las perillas (a). Consulte la Figura 16.
2. Deslice el asiento hacia arriba o abajo hasta la posición deseada.
3. Vuelva a colocar las perillas en uno de los cuatro ajustes de los orificios y ajuste bien. Consulte la Figura 16.

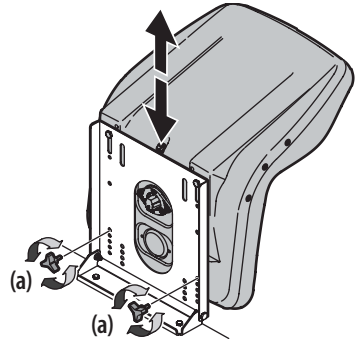


Figura 16

AJUSTE DE LAS PALANCAS

1. Para ajustar la posición del asiento, empuje la palanca de ajuste del asiento hacia la izquierda y manténgala en esa posición.
2. Deslice el asiento hacia adelante o atrás hasta la posición deseada.
3. Suelte la palanca de ajuste. Asegúrese de que el asiento esté fijo en su posición antes de operar el tractor. Consulte la Figura 17.

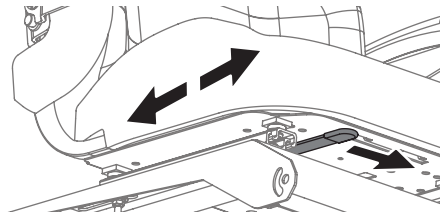


Figura 17

FUNCIONAMIENTO

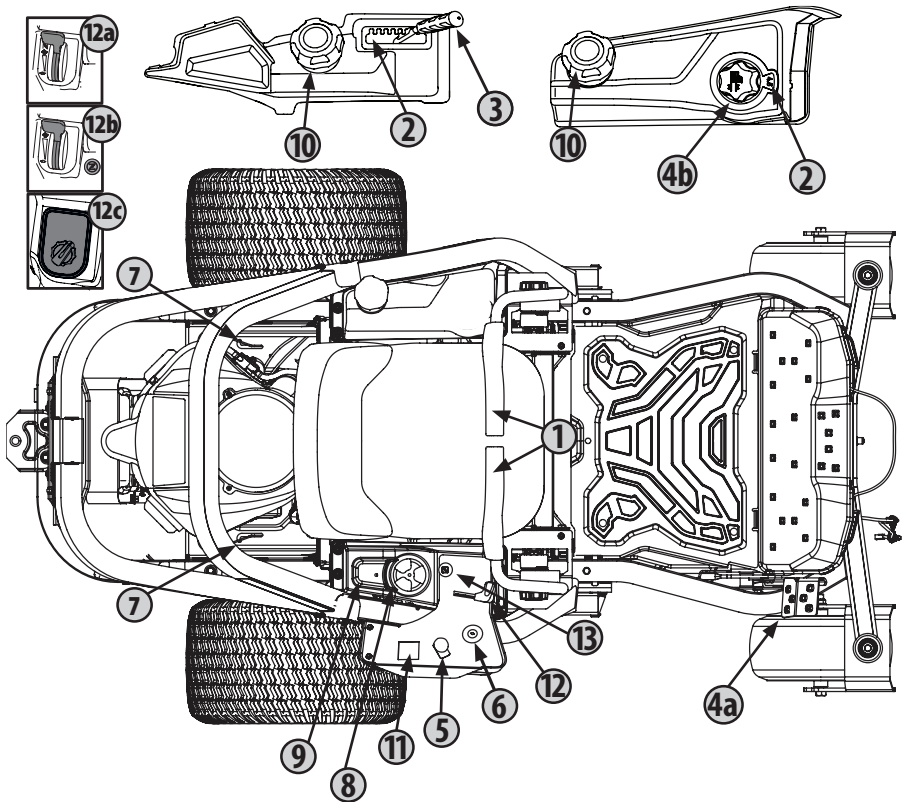


Figura 18

NOTA: Este manual de operación corresponde a varios modelos. Las características del tractor pueden variar según los modelos. No todas las características que se incluyen en este manual se aplican a todos los modelos de tractor y la máquina que se ilustra aquí puede diferir de la suya.

NOTA: Todas las referencias que contiene este manual sobre los lados derecho o izquierdo y trasero o delantero del tractor se hacen siempre desde la posición de operación. Las excepciones, si las hubiere, serán especificadas.

1 Palancas de control de la transmisión de barras de seguridad (“lapbar”)

Las palancas de control de la transmisión de las barras de seguridad de lado derecho (RH) y lado izquierdo (LH) se encuentran a cada lado del asiento del operador. Las palancas con bisagras se articulan hacia afuera para permitirle al operador sentarse en el asiento o bajarse. Para arrancar el motor del tractor, las palancas de control de la transmisión de barras de seguridad deben estar completamente hacia afuera y en la posición de estacionamiento. Cuando las palancas de control de la transmisión de barras de seguridad están completamente hacia afuera, también se activa el freno de mano.

Cada palanca de control de la transmisión controla la transmisión respectiva. En consecuencia, estas palancas controlan todos los movimientos del tractor. La conducción del tractor y la realización de maniobras con estas palancas de control difieren mucho de las funciones respectivas de los tractores convencionales, y es necesario practicar para poder dominar las mismas. Consulte la sección Practique el modo de operación con el tractor para obtener más instrucciones.

2 Posicionamiento de la altura de la plataforma

Si cuenta con una manija de elevación de la plataforma:

Cada muesca de posicionamiento de la altura corresponde aproximadamente a un cambio de 1/2" (12.7 mm) de la altura de la plataforma. Consulte 3 en la Figura 18.

Si está equipado con una perilla y un pedal de elevación de la plataforma:

Cada rotación representa un cambio de 1/4" (6.35 mm) en la altura de la plataforma. Las posiciones varían de 1" (2.5 cm) a 4-1/2" (11.4 cm) en el punto más alto. Consulte 4a y 4b en la Figura 18.

FUNCIONAMIENTO

3 Manija de elevación de la plataforma (si está equipado)

La manija de elevación de la plataforma se utiliza para levantar o bajar la plataforma de la cortadora. Para bajar la plataforma, tire de la manija de elevación de la plataforma hacia la derecha para sacarla de la muesca de ubicación y oprimir hacia abajo. Para elevar la plataforma, tire hacia arriba. Asegure que la manija esté completamente posicionada en la muesca de ubicación de altura cuando se alcance la altura deseada.

4a Pedal de elevación de la plataforma (si está equipado)

El pedal de elevación de la plataforma está ubicado en el vértice delantero derecho de la plataforma. El pedal se usa junto con la perilla de elevación de la plataforma (si está equipado) para subir y bajar la plataforma de corte. Oprima hacia adelante el pedal de elevación de la plataforma, gire la perilla de elevación de la plataforma hasta la altura deseada y suelte el pedal de elevación de la plataforma.

4b Perilla de elevación de la plataforma (si está equipado)

La perilla de elevación de la plataforma se usa junto con el pedal de elevación de la plataforma (si está equipado) para subir y bajar la plataforma de corte. Oprima hacia adelante el pedal de elevación de la plataforma, gire la perilla de elevación de la plataforma hasta la altura deseada y suelte el pedal de elevación de la plataforma.

5 Toma de fuerza (PTO)

PTO ELÉCTRICA (SI ESTÁ EQUIPADO)

El interruptor de la toma de fuerza (PTO) hace funcionar el embrague eléctrico de la PTO que está montado en la base del cigüeñal del motor. Tire de la perilla del interruptor hacia arriba para enganchar el embrague de la toma de fuerza (PTO), o empuje la perilla hacia abajo para desactivar el embrague.

Al arrancar el motor, el interruptor de la toma de fuerza (PTO) debe estar en la posición "OFF" (apagado).



6 Interruptor de encendido

⚠ ADVERTENCIA

Nunca deje la máquina en funcionamiento sin vigilancia. Siempre desconecte la toma de fuerza (PTO), ponga el freno de mano, pare el motor y retire la llave, para evitar que el motor arranque accidentalmente.

El interruptor de encendido tiene tres posiciones:

STOP (parada) — Se apagan el motor y el sistema eléctrico.

RUN (funcionamiento) — Se activa el sistema eléctrico del tractor cortacésped.

START (arranque) — El motor de arranque enciende el motor. Suelte la llave inmediatamente apenas arranque el motor.

NOTA: Para evitar el arranque accidental y/o la descarga de la batería, quite la llave del interruptor de encendido cuando el tractor no se encuentra en uso.

7 Varillas de derivación de transmisión

Las varillas de derivación de transmisión (una para cada transmisión derecha e izquierda) están ubicadas en la parte posterior del tractor, junto al motor. Cuando están engranadas, las dos varillas abren una derivación dentro de las transmisiones hidrostáticas, lo que permite empujar el tractor distancias cortas a mano. Consulte la sección Montaje para ver instrucciones adicionales.

⚠ PRECAUCIÓN

Nunca remolque su tractor. Si se remolca el tractor con las ruedas traseras apoyadas en el suelo se pueden causar daños graves a las transmisiones.

8 Portavasos

El portavasos está ubicado en la parte superior de la consola.

9 Bandeja de almacenamiento

La bandeja de almacenamiento está ubicada en la parte posterior de la consola.

10 Tapón del depósito de combustible

Gire el tapón de llenado al menos dos clics en el sentido contrario a las agujas del reloj y tire hacia arriba para extraerlo. El tapón del combustible está amarrado al tractor para impedir que se pierda. No intente retirar el tapón del tractor. Llene el depósito hasta 1/2" (12.7 mm) por debajo de la base del cuello de llenado para dejar un poco de espacio en el depósito para la expansión del combustible. No llene en exceso el depósito de combustible.

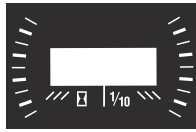
Empuje el tapón hacia abajo sobre el cuello de llenado del depósito de combustible y gírelo al menos dos clics en el sentido de las agujas del reloj para ajustarlo. Siempre vuelva a colocar el tapón de combustible bien ajustado en el depósito después de quitarlo.

⚠ ADVERTENCIA


Nunca llene el depósito de combustible si el motor está en funcionamiento. Si el motor está caliente por haber funcionado hasta hace poco, déjelo enfriar al menos cinco minutos antes de volver a cargar combustible. La gasolina es muy inflamable y podría salpicar el motor y causar un incendio.

11 LCD avisador de servicio y medidor horario (si está equipado)

El LCD avisador de servicio le recuerda al operador los intervalos de mantenimiento para el cambio del aceite del motor, el servicio del filtro de aire, las advertencias de bajo nivel de aceite y poca batería.



Cuando se gira la llave fuera de la posición STOP (detención), pero no está en la posición de arranque, el LCD avisador de servicio y medidor horario mostrará brevemente la tensión de la batería, seguido de las horas acumuladas del tractor.

NOTA: Cuando la llave de encendido está fuera de la posición STOP (detención),  el símbolo de globoide se enciende/parpadea para indicar que está registrando las horas de funcionamiento del tractor, independientemente de que el motor esté encendido o no.

CAMBIO DE ACEITE

La pantalla LCD alternará las letras "CHG" (cambiar), seguidas de las letras "OIL" (aceite), seguidas de las letras "SOON" (pronto), y luego finalmente seguidas por el tiempo acumulado del medidor. "CHG/OIL/SOON/TIME" se alternarán en la pantalla durante 7 minutos después de que el medidor llegue a 50 horas. Este intervalo del avisador de servicio de aceite se producirá cada 50 horas. Antes de que finalice el intervalo, cambie el aceite del motor según se indica en este Manual del operador del motor.

POCO ACEITE

NOTA: La función de baja presión de aceite solo funciona si el motor tiene un interruptor de presión de aceite.

En la pantalla LCD aparecen alternadas las letras "LO" (nivel bajo) seguidas de las letras "OIL" (aceite), seguidas luego del tiempo acumulado del medidor indicarán que el tractor tiene poca presión de aceite. Esto suele suceder cuando se enciende un motor. El indicador permanecerá activo hasta que el motor genere suficiente presión después de comenzar. Si el indicador permanece encendido cuando el motor está a máxima velocidad y después de que hayan transcurrido unos pocos minutos de funcionamiento, detenga el tractor de inmediato y controle el nivel de aceite del motor según las instrucciones de este Manual del operador del motor. Si el nivel de aceite es correcto y el indicador sigue encendido, comuníquese con un distribuidor de servicio autorizado.

POCA BATERÍA

Al arrancar, se visualiza fugazmente el voltaje de la batería y luego cambia a horas acumuladas. Aparecen las letras "LO" (nivel bajo), seguidas de las letras "BATT" (batería), seguidas luego del tiempo acumulado del medidor. "LO/BATT/TIME" se muestra en la pantalla LCD cuando la tensión cae por debajo de 11.5 voltios. Cuando esto ocurre, significa que se debe cargar la batería o que el sistema de carga del motor no genera suficiente amperaje. Cargue la batería como se indica en la sección Carga de la batería de este manual o haga controlar el sistema de carga por su distribuidor de servicio local.

MANTENIMIENTO DEL FILTRO DE AIRE

En la pantalla LCD aparecen las letras "CLN" (limpiar), seguidas de las letras "AIR" (aire), seguidas por "FLT" (filtro), seguidas luego del tiempo acumulado del medidor. "CLN/AIR/FLT/TIME" se alternarán en la pantalla durante 7 minutos después de que el medidor llegue a 25 horas. Este intervalo del avisador de servicio del filtro de aire será cada 25 horas. En intervalos comunes con el servicio del aceite, aparece el mensaje del aceite primero seguido primero por el mensaje del filtro de aire.

12 Palanca de control del acelerador/ cebador o control del acelerador o control electrónico del regulador

NOTA: Cuando se lo coloca en determinada posición, se mantiene una velocidad de motor uniforme.

A. PALANCA DE CONTROL DEL ACELERADOR CEBADOR (SI SE INCLUYE)

Empuje la palanca de control del acelerador/cebador hacia adelante para aumentar la velocidad del motor. El tractor está diseñado para que funcione con la palanca de control del acelerador/cebador en aceleración máxima FAST (rápido) cuando se conduce el tractor y se engancha la plataforma de la cortadora de césped. Tire de la palanca de control del acelerador/cebador hacia atrás para reducir la velocidad del motor. Cuando arranque el motor, empuje la palanca de control totalmente hacia adelante a la posición CHOKE (cebador). Después de arrancar y calentar el motor, mueva la palanca de control hacia atrás hasta que sienta que pasa el bloqueador del cebador. El objetivo del acelerador no es controlar la velocidad de la unidad, sino que debe permanecer a alta velocidad mientras se operan las cuchillas.

B. CONTROL DEL ACELERADOR (SI SE INCLUYE)

Empuje la palanca de control del acelerador hacia adelante para aumentar la velocidad del motor. El tractor está diseñado para que funcione con la palanca de control del acelerador en aceleración máxima FAST (rápido) cuando se conduce el tractor y se engancha la plataforma del tractor. Tire de la palanca de control del acelerador hacia atrás para reducir la velocidad del motor.

C. CONTROL ELECTRÓNICO DEL REGULADOR (SI SE INCLUYE)

Cuando se lo coloca en determinada posición, se mantiene una velocidad de motor uniforme. El control electrónico del regulador tiene diversas entradas para mantener la velocidad del motor. Use la configuración "CUT" (Cortar) para tener un óptimo desempeño de corte en condiciones de corte normal. Use la configuración "POWER CUT" (Corte de potencia) para tener un óptimo desempeño en condiciones de corte pesado.

13 Control del cebador (si está equipado)

El control del cebador determina la posición del cebador del motor. Tire de la perilla hacia afuera para cebar el motor; empuje la perilla hacia adentro para abrir el cebador.



Herramienta para usos múltiples (Sólo modelos de elevación de la cubierta de pies)

La herramienta para usos múltiples (a) está ubicada en el frente de la consola derecha. La herramienta para usos múltiples (a) se puede usar como bloqueo de elevación de la plataforma, para extraer el perno de la bandeja, ajustar la altura de las palancas de control de la transmisión de barras de seguridad, ajustar la detención de las palancas de control de la transmisión y se puede usar como herramienta de extracción con la llave de cubo de 1/2". Consulte la sección Servicio y Mantenimiento para obtener más información sobre el uso de la herramienta para usos múltiples (a). Consulte la Figura 19.

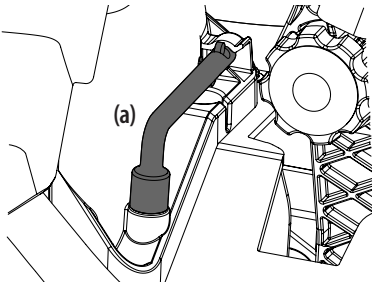


Figura 19

Faros delanteros (no se muestran/ si están equipados)

Los faros delanteros se encuentran en el frente del bastidor. Los faros delanteros se encienden (ON) cada vez que se gira la llave de encendido sacándola de la posición STOP (detención) y OFF cuando la llave de encendido se mueva a la posición STOP (detención).

Palanca de ajuste del asiento (no se muestra/ si está equipado)

La palanca de ajuste del asiento está ubicada debajo del asiento. La palanca de ajuste del asiento permite el ajuste del asiento del operador hacia adelante o hacia atrás. Consulte la sección Montaje para ver instrucciones sobre el ajuste de la posición del asiento.

NOTA: Si su tractor no cuenta con una palanca de ajuste del asiento, se puede ajustar usando las perillas de la parte inferior del asiento. Consulte la sección Montaje para ver instrucciones sobre el ajuste del asiento.

Funcionamiento

ANTES DE HACER FUNCIONAR EL TRACTOR

- Antes de la operación, consulte la tabla del Cronograma de mantenimiento que está ubicada en este manual para los artículos de servicio programado habitualmente.
- Se certifica que este motor funciona únicamente con gasolina normal sin plomo, nueva y limpia. Llene únicamente con gasolina sin plomo, nueva y limpia, en un surtidor que indique un octanaje igual a 87 o más.

- No use gasolina que haya quedado de la temporada anterior, para minimizar la formación de depósitos de goma en el sistema de combustible.
- El gasohol (hasta 10% de alcohol etílico, 90% de gasolina sin plomo por volumen) es un combustible aprobado. No se aprueba el uso de otras mezclas de gasolina/alcohol.
- El éter metílico terciario-butílico (MTBE) y las mezclas de gasolina sin plomo (hasta un máximo de 15% de MTBE por volumen) son combustibles aprobados. No se aprueba el uso de otras mezclas de gasolina/éter.

SISTEMA DE INTERBLOQUEO DE SEGURIDAD

⚠ ADVERTENCIA

No opere el tractor si el sistema de interbloqueo de seguridad funciona mal. El sistema fue diseñado para brindarle seguridad y protección.

Este tractor está equipado con un sistema de interbloqueo de seguridad para protección del operador. Si el sistema de interbloqueo funciona mal, no se debe hacer funcionar el tractor. Comuníquese con un distribuidor de servicio autorizado.

- El sistema de interbloqueo de seguridad impide que el motor arranque o se encienda a menos que esté accionado el freno de mano y la palanca de toma de fuerza (PTO) esté en posición DESACTIVADA (OFF).
- Si el operador abandona su asiento antes de poner el freno de mano, el motor se APAGARÁ automáticamente.
- El motor se apagará automáticamente si el operador abandona el asiento del tractor con el interruptor de la palanca de la toma de fuerza (PTO) en la posición de activación (ON), independientemente de si el freno de mano está puesto o no.

CONTROL DE LOS CIRCUITOS DE INTERBLOQUEO DE SEGURIDAD

Controle periódicamente los circuitos de interbloqueo de seguridad para estar seguro de que funcionan adecuadamente. Si algún circuito de seguridad no funciona según el diseño, póngase en contacto con el distribuidor de servicio para que inspeccione el tractor. NO use el tractor si algún circuito de seguridad no está funcionando adecuadamente. Para controlar los circuitos de seguridad proceda de la siguiente manera:

1. Tire de la PTO hacia arriba, hasta la posición de activación (ON). Gire el interruptor de encendido a la posición START (arranque) momentáneamente; el motor no debería intentar arrancar.
2. Con el tractor en marcha, mueva las dos palancas de control de la transmisión de barras de seguridad totalmente hacia adentro hasta la posición de punto muerto; luego levántelas desde el asiento del operador. El motor debe dejar de funcionar.
3. Con las dos palancas de control de la transmisión de barras de seguridad totalmente hacia afuera en la posición de freno de mano aplicado, active la PTO. Levántelas desde el asiento del operador; el motor se debe detener.

FUNCIONAMIENTO

ARRANQUE DEL MOTOR

⚠ PRECAUCIÓN

El operador debe estar sentado en el asiento del tractor al arrancar el motor.

1. El operador debe estar sentado en el asiento del tractor con las palancas de control de la transmisión de barras de seguridad completamente hacia afuera en la posición de estacionamiento. Consulte la Figura 20. Consulte la sección Practique el modo de operación con el tractor para obtener más instrucciones.

Palancas de control colocadas hacia afuera y en la posición de freno de mano

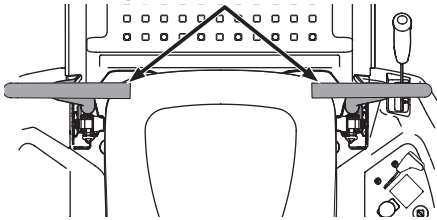


Figura 20

2. Asegúrese de que la toma de fuerza esté en la posición OFF (apagado). Mueva el control del acelerador o el control de acelerador/cebador a la posición máxima del cebador. Mueva el control del acelerador a distancia media entre las posiciones velocidad lenta y velocidad rápida en modelos con control de cebador independiente.

NOTA: Si el motor está caliente, tal vez no sea necesario cebar el motor.

3. Gire la llave hacia la derecha a la posición START (arranque). Una vez que arranque el motor, suelte la llave. Volverá a la posición RUN (funcionamiento).

⚠ PRECAUCIÓN

NO mantenga la llave en la posición START (arranque) durante más de diez segundos por vez. Si lo hace, puede ocasionar daños al arrancador eléctrico del motor.

4. Cuando se calienta el motor, tire gradualmente de la palanca de control del acelerador/cebador hacia atrás pasando la posición de detención del cebador o, en modelos con un cebador separado, desenganche lentamente el cebador. No use la posición del cebador para enriquecer la mezcla de combustible, a menos que sea necesario para arrancar el motor.
5. Deje que el motor funcione unos cuantos minutos a una aceleración intermedia antes de someterlo a la carga.
6. Observe el medidor horario/panel indicador. Si se enciende la luz del indicador de batería o de presión de aceite, detenga el motor inmediatamente. Haga que su distribuidor de servicio autorizado inspeccione el tractor.

ARRANQUE DEL MOTOR EN CLIMA FRÍO

Al arrancar el motor a temperaturas cercanas o inferiores al punto de congelamiento, asegúrese de que se use aceite de motor de viscosidad correcta y que la batería tenga carga completa. Arranque del motor de la siguiente forma.

1. Asegúrese de que la batería se encuentre en buen estado. Una batería caliente tiene una capacidad de arranque mucho mayor que una batería fría.
2. Use combustible fresco para uso invernal. La gasolina para uso invernal tiene mayor volatilidad a los efectos de mejorar el arranque. No use gasolina que le haya quedado del verano.
3. Siga las instrucciones previas para Arranque del motor.

USO LOS CABLES DE ARRANQUE PARA ENCENDER EL MOTOR

⚠ ADVERTENCIA

Las baterías contienen ácido sulfúrico y producen gases explosivos. Asegúrese de que el área esté bien ventilada, use guantes y protectores de ojos y evite chispas o llamas cerca de la batería.

Si la carga de la batería no es suficiente para dar arranque al motor, vuelva a cargar la batería. Si no dispone de un cargador de batería y debe arrancar el tractor, puede ser necesario usar una batería de urgencia. Conecte la batería de urgencia de la siguiente forma:

1. Conecte el extremo de un cable al terminal positivo de la batería del tractor que no funciona; luego conecte el otro extremo de ese cable al terminal positivo de la batería de urgencia.
2. Conecte un extremo del otro cable al terminal negativo de la batería de urgencia; luego conecte el otro extremo de ese cable al marco del tractor que no funciona, a la mayor distancia posible de la batería.
3. Arranque el tractor que no funciona según las instrucciones de arranque normales indicadas más arriba; luego desconecte los cables de puente en orden exactamente inverso al de la conexión.
4. Haga controlar y reparar el sistema eléctrico del tractor lo más pronto que fuere posible, para eliminar la necesidad de usar cables de puente para arrancarlo.

DETENCIÓN DEL MOTOR

1. Desconecte la PTO.
2. Mueva las palancas de control de la transmisión de barras de seguridad del lado derecho e izquierdo completamente hacia afuera hasta la posición de freno de mano activado.
3. Mueva el control del acelerador a distancia media entre las posiciones velocidad lenta y velocidad rápida.
4. Gire la llave a la posición STOP (detención) y quite la llave del módulo de encendido.

NOTA: Siempre quite la llave del módulo de encendido para evitar el arranque accidental o la descarga de la batería si el equipo queda sin supervisión.

PRACTIQUE EL MODO DE OPERACIÓN CON EL TRACTOR (USO INICIAL)

Operar un tractor con radio de giro cero no es lo mismo que operar un tractor convencional. Si bien precisamente un tractor con radio de giro cero es más maniobrable, es necesario practicar la operación de las palancas de control de la transmisión de barras de seguridad para acostumbrarse a las mismas.

Se recomienda enfáticamente que encuentre un "área de práctica" de superficie razonable, nivelada y abierta, en la cual no haya obstrucciones, peatones ni mascotas. Debe practicar la operación del tractor durante 30 minutos por lo menos.

Lleve (o haga que alguien lleve) el tractor al área de práctica con cuidado. Cuando esté practicando, la PTO no debe estar activada. Mientras practica, haga funcionar el tractor a aproximadamente 1/2-3/4 de aceleración y a menos de la velocidad máxima tanto en marcha adelante como en marcha atrás.

Ejercice cuidadosamente las maniobras con el tractor, usando las instrucciones de la sección siguiente Conducción del tractor. Practique hasta que se sienta confiado de poder manejar el tractor con seguridad.

Conducción del tractor

⚠ ADVERTENCIA

Todos los movimientos de las palancas de control de la transmisión de barras de seguridad deben ser lentos y suaves. El movimiento abrupto de las palancas de control puede afectar la estabilidad del tractor y podría hacer que el tractor vuelque, con el resultado de lesiones graves o incluso la muerte del operador.

1. Ajuste el asiento del operador a la posición más cómoda que le permita operar los controles. Consulte Ajuste del asiento en la sección Montaje.
2. Mueva las palancas de control de transmisión de barras de seguridad del lado derecho y del lado izquierdo hacia adentro, en punto muerto, lo cual desactiva también el freno de mano. Consulte la Figura 21.

Palancas de control colocadas hacia adentro y en posición de punto muerto

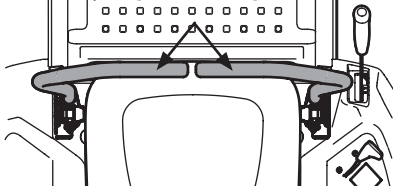


Figura 21

NOTA: Las palancas de control de la transmisión de barras de seguridad se deben mover totalmente hacia adentro antes de empujar hacia adelante o hacia atrás a fin de asegurarse de que los frenos estén totalmente liberados. Si estaciona el tractor en un terreno desparejo o en una colina, esto puede hacer que los frenos se agarren y no se suelten por completo. En este caso, el tractor no se desplazará cuando se muevan las palancas de control de la transmisión de barras de seguridad. Si esto ocurre, mueva la palanca de control de la transmisión de barras de seguridad en la dirección opuesta levemente para quitar la carga de los frenos y permitir que estos se liberen completamente.

NOTA: Si las palancas de control de la transmisión de barras de seguridad no están niveladas en la posición de punto muerto, consulte Montaje para obtener instrucciones sobre la forma de ajustar las palancas de control de la transmisión de barras de seguridad para que queden parejas.

3. Mueva el acelerador a la posición de aceleración máxima.

⚠ ADVERTENCIA

Siempre sujete las palancas de control con firmeza. **NO suelte las palancas de control para desplazarse más despacio o para detener el tractor; lleve las palancas a la posición de punto muerto con las manos.**

4. Para conducir el tractor, tome firmemente las palancas de control de la transmisión de barras de seguridad respectivas con las manos derecha e izquierda y proceda con Conducción del tractor hacia adelante, según las instrucciones de la siguiente sección.

CONDUCCIÓN DEL TRACTOR HACIA ADELANTE

1. Mueva las palancas de control de la transmisión de barras de seguridad lenta y suavemente hacia adelante. El tractor comenzará a desplazarse hacia adelante. Consulte la Figura 22.

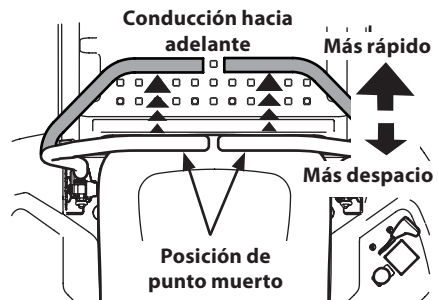


Figura 22

2. A medida que las palancas de control de la transmisión de barras de seguridad se empujan más hacia adelante, aumenta la velocidad del tractor.
3. Para que el tractor se desplace más lentamente, mueva la palanca de control de la transmisión hacia atrás hasta alcanzar la velocidad deseada, o coloque las palancas de control de la transmisión de barras de seguridad en la posición de punto muerto para detener el tractor.

FUNCIONAMIENTO

GIRO CON EL TRACTOR EN MARCHA ADELANTE

⚠ ADVERTENCIA

Los giros bruscos pueden afectar el control del tractor. Conduzca SIEMPRE el tractor lentamente antes de realizar giros bruscos.

Para que el tractor gire mientras se desplaza hacia adelante, mueva las palancas de control de la transmisión de barras de seguridad según sea necesario para que una palanca de control de la transmisión quede más atrás que la otra. El tractor girará en la dirección de la palanca de control de la transmisión marcha atrás.

1. Para girar a la izquierda, mueva la palanca de control de la transmisión del lado izquierdo hacia atrás respecto de la palanca de control de la transmisión derecha. Consulte la Figura 23.

Giro a la izquierda hacia adelante

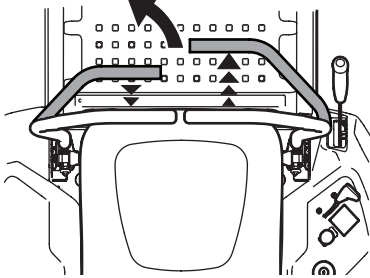


Figura 23

2. Para girar a la derecha, mueva la palanca de control de la transmisión derecha hacia atrás respecto de la palanca izquierda. Consulte la Figura 24.

Giro a la derecha hacia adelante

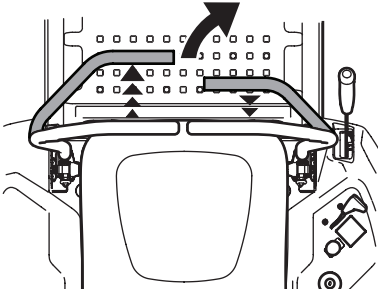


Figura 24

3. Cuanto mayor sea la distancia entre las dos palancas, más cerrado será el giro que dará el tractor.
4. Para realizar un "giro de pivote", mueva la palanca de control de la transmisión del lado de giro a la posición de punto muerto, mientras mueve la otra palanca de control hacia adelante.

NOTA: Los "giros de pivote" sobre el pasto aumentan significativamente el potencial de que se deteriore el césped.

CONDUCCIÓN DEL TRACTOR EN MARCHA ATRÁS

⚠ ADVERTENCIA

Siempre mire hacia atrás y hacia abajo a ambos lados del tractor antes de desplazarse marcha atrás. Siempre mire hacia atrás cuando se desplaza en marcha atrás. No se recomienda cortar el césped en marcha atrás.

1. Mueva las dos palancas de control de la transmisión de barras de seguridad lenta y uniformemente hacia atrás. El tractor comenzará a moverse hacia atrás. Consulte la Figura 25.

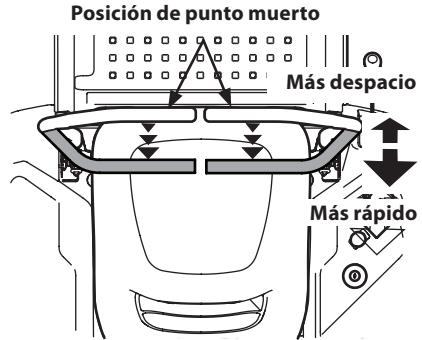


Figura 25

2. A medida que las palancas de control de la transmisión de barras de seguridad se empujan más hacia atrás, aumenta la velocidad del tractor.
3. Para que el tractor se desplace más lentamente, mueva las palancas de control de la transmisión de barras de seguridad hacia adelante hasta alcanzar la velocidad deseada, o coloque las palancas de control de transmisión de barras de seguridad en la posición de punto muerto para detener el tractor.

REALIZAR UN GIRO MIENTRAS SE CONDUCE MARCHA ATRÁS

Para que el tractor gire mientras se desplaza hacia atrás, mueva las palancas de control de la transmisión de barras de seguridad según sea necesario para que una palanca de control de la transmisión quede más adelante que la otra. El tractor girará en la dirección de la palanca de control de la transmisión de barras de seguridad de marcha hacia adelante.

1. Para girar a la izquierda mientras se desplaza marcha atrás, mueva la palanca de control del lado izquierdo hacia adelante respecto de la palanca derecha. Consulte la Figura 26.

FUNCIONAMIENTO

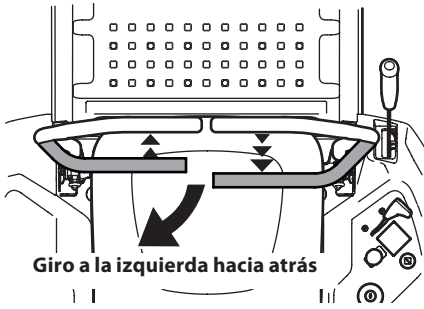


Figura 26

Giro de radio cero hacia la derecha

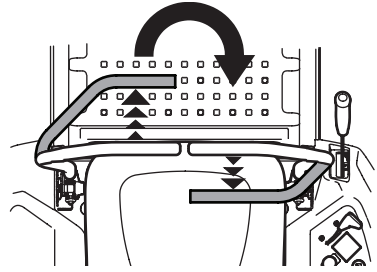


Figura 28

- Para girar a la derecha mientras se desplaza marcha atrás, mueva la palanca de control del lado derecho hacia adelante respecto de la palanca de control de la transmisión izquierda. Consulte la Figura 27.

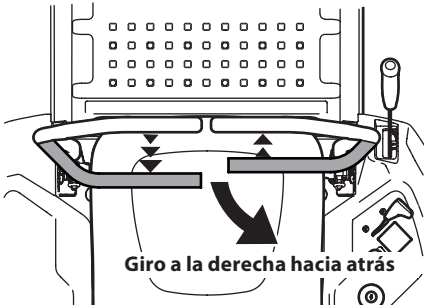


Figura 27

- Para girar en sentido contrario a las agujas del reloj, mueva la palanca de control de la transmisión de la barra de seguridad derecha hacia adelante mientras mueve simultáneamente la palanca de control de la transmisión de la barra de seguridad izquierda hacia atrás. Consulte la Figura 29.

Giro de radio cero hacia la izquierda

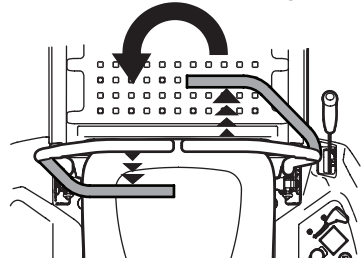


Figura 29

NOTA: Cuanto mayor sea la distancia entre las dos palancas de control de la transmisión de barras de seguridad, más cerrado será el giro que dará el tractor.


- Para realizar un "giro de pivote", mueva la palanca de control de la transmisión del lado de giro a la posición de punto muerto, mientras mueve la otra palanca de control de la transmisión hacia atrás.

NOTA: Los "giros de pivote" sobre el pasto aumentan significativamente el potencial de que se deteriore el césped.

GIRO DE RADIO CERO

- Detenga el movimiento del tractor hacia adelante o hacia atrás colocando las dos palancas de control de la transmisión de barras de seguridad en punto muerto.
- Para girar en el sentido de las agujas del reloj, mueva la palanca de control de la transmisión de la barra de seguridad izquierda hacia adelante mientras mueve simultáneamente la palanca de control de la transmisión de la barra de seguridad derecha hacia atrás. Consulte la Figura 28.

DETENCIÓN DEL TRACTOR

- Mueva las dos palancas de control de la transmisión de barras de seguridad a la posición de punto muerto para detener el movimiento del tractor.
- Empuje la PTO hacia abajo, hasta la posición OFF (apagado).
- Use la manija/perilla de elevación de la plataforma para levantar la plataforma a su posición más alta.
- Si desea bajarse del tractor, mueva las palancas de control de la transmisión de barras de seguridad totalmente hacia afuera hasta la posición de punto muerto, lo cual también acciona el freno de mano, mueva el acelerador a la posición FAST (rápido), gire la llave hasta la posición STOP (detención)  y retírela del módulo de encendido.


⚠ ADVERTENCIA

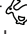
No abandone el asiento del tractor sin desenganchar la toma de fuerza (PTO) y sin colocar las palancas de control de la transmisión de barras de seguridad totalmente hacia afuera en la posición de freno de mano aplicado. Si deja el tractor sin vigilancia, gire la llave de contacto hasta la posición STOP (detención) y retírela.

FUNCIONAMIENTO

Conexión de la toma de fuerza (PTO)

Al conectar la toma de fuerza (PTO) se suministra alimentación a la plataforma de corte o a otros accesorios (disponibles por separado). Para conectar la PTO:

1. Mueva el acelerador a la posición FAST  (detención).
2. Tire del interruptor de la PTO hacia arriba/afuera a la posición de activación (ON).

NOTA: Cuando haga funcionar el tractor asegúrese de que el acelerador esté siempre en la posición FAST  (rápido). El funcionamiento con el acelerador a menos de máxima velocidad puede acortar la vida útil de la batería y producir un corte de mala calidad.

3. Para desactivar la PTO, presione el interruptor de la PTO para abajo/adentro a la posición de desactivación (OFF).

Corte de césped

ADVERTENCIA

Para ayudar a evitar el contacto con las cuchillas o una lesión por algún objeto que sea arrojado, mantenga a las personas que lo observan, a los ayudantes, niños y mascotas alejados al menos 75' (23 metros) de la máquina mientras está en funcionamiento. Pare la máquina si alguien ingresa a la zona.

ADVERTENCIA

Asegúrese de que el área donde se va a cortar esté libre de desechos, ramitas, piedras, cables u otros objetos que puedan ser arrojados por las cuchillas rotativas.

NOTA: No enganche la plataforma de la cortadora cuando esté baja sobre el pasto. Se produce el desgaste prematuro y la posible falla de la correa en 'V' y del embrague de la PTO. Antes de activar la plataforma de corte, levante totalmente la plataforma o lleve la máquina a un área donde no haya césped.

- Corte de forma transversal a la pendiente, no hacia arriba ni hacia abajo. Si corta el césped en pendiente, comience por la base y desplácese hacia arriba para asegurar que siempre se gire cuesta arriba.
- No corte a alta velocidad absoluta, especialmente si tiene instalado un kit de abono o un colector de césped.
- No corte el césped demasiado corto. El césped corto fomenta el crecimiento de maleza y se pone amarillo rápidamente cuando escasea la lluvia.
- Siempre haga funcionar el tractor con el regulador en la posición FAST (rápido) mientras corta el césped.
- Al realizar la primera pasada elija un punto del lado opuesto del área a cortar. Siga el punto para mantener una línea recta.
- Active la toma de fuerza (PTO) y mueva el control del acelerador p del acelerador/cebador a la posición FAST (rápido).
- Baje la plataforma de corte al ajuste de altura deseado.

- Para obtener los mejores resultados, se recomienda realizar las dos primeras vueltas de corte con la descarga hacia el centro. Después de las dos primeras pasadas, cambie la dirección para arrojar la descarga hacia afuera, para equilibrar el corte. Esto otorgará un mejor aspecto al césped.

- Empuje las palancas de control de la transmisión de la barra de seguridad derecha e izquierda lenta y uniformemente hacia adelante para que el tractor avance hacia adelante, y mantenga la orientación del tractor en línea recta hacia el punto de alineación.

NOTA: La velocidad del tractor afecta la calidad del corte que realiza la cortadora. Si realiza el corte a máxima velocidad la calidad se ve afectada negativamente. Controle la velocidad absoluta con las palancas de control de la transmisión de barras de seguridad.

- Su tractor fue diseñado para cortar césped residencial normal, con una altura no mayor de 10" (25 cm). No intente cortar césped demasiado crecido, seco (como un pastizal) ni pilas de hojas secas. El césped o las hojas que estén secos pueden entrar en contacto con el escape del motor y/o acumularse en el tractor.
- NO intente cortar malezas frondosas o césped sumamente alto. El tractor fue diseñado para cortar el césped, NO para podar malezas.
- Mantenga las cuchillas afiladas y cámbielas cuando se gasten.
- Cuando se acerque al otro extremo de la franja, reduzca la velocidad o deténgase antes de girar. Se recomienda realizar un giro en U a menos que sea necesario realizar un giro de radio cero.
- Alinee la cortadora de césped con un borde de la franja cortada y superponga la pasada aproximadamente 3" (7.6 cm).
- Oriente el tractor en cada franja subsiguiente de modo que se alinee con la franja ya cortada.
- Para evitar la formación de surcos o ranuras en el césped, en lo posible varíe la dirección de las franjas de corte aproximadamente 45° para el siguiente corte y en cada corte subsiguiente.

Siempre que detenga el tractor por cualquier razón en un área de césped, haga lo siguiente:

- Mueva las palancas de control de la transmisión de barras de seguridad del lado derecho e izquierdo completamente hacia afuera hasta la posición de freno de mano activado.
- Apague el motor y retire la llave.
- Eso permitirá reducir al mínimo la posibilidad de que su césped resulte "quemado" por el escape caliente del motor en funcionamiento.

SERVICIO Y MANTENIMIENTO

⚠ ADVERTENCIA

Antes de realizar cualquier tipo de mantenimiento o servicio, desactive todos los controles y detenga el motor. Espere a que se detengan completamente todas las piezas móviles. Desconecte el cable de la bujía y póngalo haciendo masa contra el motor para evitar que se encienda accidentalmente. Utilice siempre anteojos de seguridad durante el funcionamiento o mientras ajusta o repara este equipo.

Siga el cronograma de mantenimiento que se presenta a continuación. En esta tabla sólo describen pautas de servicio.

Consulte el Manual del operador del motor para obtener información sobre las tareas de mantenimiento del motor que se enumeran en la tabla a continuación.

NOTA: El programa de mantenimiento continua en la pagina siguiente.

	Antes de cada uso	Después de las primeras 5 horas	Cada 10 horas	Cada 25 horas	Cada 50 horas	Cada 100 horas	Cada 200 horas	Antes de almacenar	Consulte el manual del motor
Verifique/limpie los filtros de admisión y los ventiladores de refrigeración #	✓							✓	
Verifique/limpie el colector de escape, el tubo del silenciador y los protectores del silenciador #	✓							✓	
Verifique/limpie la parte de arriba y de abajo de la plataforma y debajo y alrededor de las cubiertas del husillo y del área de la correa #	✓							✓	
Verifique/limpie alrededor de los fusibles, el cableado y los arneses de cables #	✓							✓	
Verifique/limpie alrededor de la transmisión, el eje y los ventiladores #	✓							✓	
Verifique/Agregue/Cambie el líquido para transmisión según sea necesario							✓		
Revise si el filtro de aire está sucio, flojo o tiene piezas dañadas	✓								
Controle el nivel de aceite del motor	✓								
Limpiar los terminales de la batería			✓					✓	
Engrase todos los puntos de lubricación			✓					✓	
Revise el filtro de admisión del motor/limpie si corresponde			✓					✓	
Revise las cuchillas/afile o reemplace si corresponde			✓					✓	
Revise la presión de los neumáticos			✓					✓	
Revise/limpie la parte de abajo de la plataforma	✓		✓						
Revise el sistema de interbloqueo de seguridad			✓					✓	

SERVICIO Y MANTENIMIENTO

	Antes de cada uso	Después de las primeras 5 horas	Cada 10 horas	Cada 25 horas	Cada 50 horas	Cada 100 horas	Cada 200 horas	Antes de almacenar	Consulte el manual del motor
Revise el tiempo de parada de las cuchillas de la cortadora de césped			✓					✓	
Inspeccione y lubrique las ruedas de la plataforma				✓				✓	
Revise el nivel/la inclinación de la plataforma				✓				✓	
Revise las correas y poleas viendo si están dañadas/gastadas					✓				
Compruebe que todos los herrajes están en su lugar y asegurados						✓			
Compruebe el par de ajuste del perno de montaje del motor (Ajuste hasta 325-450 pulgadas-libras (37-50 N-m))		✓			✓			✓	✓
Compruebe el par de ajuste de la tuerca de montaje de las cuchillas (Ajuste hasta 70-90 pies-libras (95-122 N-m))		✓			✓			✓	
Controle el estado y la separación de la bujía de encendido						✓		✓	✓
Cambio del aceite de asentamiento del motor		✓							✓
Cambie el aceite del motor					✓			✓	✓
Controle el sistema de combustible (circuitos, depósito, tapón, accesorios)		✓			✓			✓	✓
Controle el dispositivo amortiguador de chispas		✓			✓			✓	✓
Reemplace el filtro de aceite					✓			✓	✓
Limpie o cambie el filtro de aire					✓				✓
Reemplace el filtro de combustible					✓				✓
Haga revisar y ajustar la holgura de la válvula*									✓

* -- Solicite a un distribuidor de servicio autorizado que realice este servicio

-- Realice esta acción con mayor frecuencia en condiciones de sequía y/o cuando haga abono

NOTA: Este manual del operador corresponde a varios modelos. Las características del tractor pueden variar según los modelos. No todas las características que se incluyen en este manual se aplican a todos los modelos de tractor y la máquina que se ilustra aquí puede diferir de la suya.

Cuidado del tractor posterior al funcionamiento

Después de cada vez que se usa el tractor, a fin de asegurar condiciones seguras de funcionamiento, consulte la tabla del Cronograma de mantenimiento en este manual para una atención adecuada del tractor.

⚠ ADVERTENCIA

Si no se siguen estas recomendaciones, usted u otras personas pueden sufrir lesiones graves, o pueden producirse daños en el tractor.

Limpeza de la parte inferior de la plataforma

SISTEMA DE LAVADO DE PLATAFORMA (SI ESTÁ EQUIPADO)

La plataforma de su tractor poder equipada con un puerto de agua sobre su superficie como parte del sistema de lavado de la plataforma.

Utilice el sistema Deck Wash System (Sistema de lavado de la plataforma) para lavar la parte inferior de la plataforma y quitar los restos de césped recortado e impedir la acumulación de sustancias químicas corrosivas. Realice los siguientes pasos DESPUÉS DE CADA CORTE DE CÉSPED:

1. Una el adaptador del pico a una manguera de jardín estándar conectada al suministro de agua.
2. Mueva el tractor a un lugar dentro del alcance de la manguera donde se puedan desechar los recortes de césped húmedos. Desconecte la toma de fuerza (PTO), aplique el freno de mano y detenga el motor.
3. Tire del collarín de ajuste (a) del adaptador del pico (b) hacia atrás y empuje el adaptador del pico sobre el pico de lavado de la plataforma (c). Suelte el collarín de ajuste para trabar el adaptador del pico en el pico de lavado de la plataforma. Consulte la Figura 30.

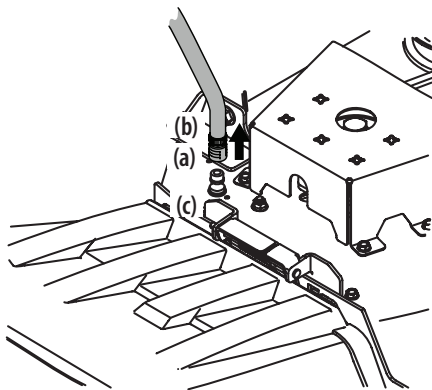


Figura 30

4. Abra el suministro de agua.
5. Desde el asiento del operador del tractor, encienda el motor y enganche la toma de fuerza (PTO). Deje funcionar según sea necesario. Desactive la toma de fuerza (PTO) y detenga el motor.
6. Cierre el suministro de agua.

7. Tire del collarín de ajuste del adaptador del pico hacia atrás para desconectar el adaptador del pico del pico de lavado de la plataforma.

Limpeza del tractor

⚠ ADVERTENCIA

Si el tractor ha estado en funcionamiento recientemente, el motor, el silenciador y las superficies metálicas circundantes estarán muy calientes y pueden causar quemaduras en la piel. Deje que el motor se enfríe durante al menos cinco minutos. Tenga precaución para evitar quemaduras.

El tractor se debe limpiar después de cada uso y bajo ciertas condiciones; es decir, en condiciones secas y/o cuando se haga abono, puede ser necesario realizar limpiezas adicionales.

Una de las mejores maneras de mantener el funcionamiento eficiente de su tractor y reducir el riesgo de incendio es eliminar regularmente la acumulación de desechos del tractor. Siga las recomendaciones a continuación y contacte a su distribuidor autorizado si tiene alguna pregunta.

- Deje que la máquina se enfríe al menos cinco minutos en un área abierta antes de limpiarla.

NOTA: No se recomienda el uso de una lavadora de presión ni de una manguera de jardín para limpiar el tractor, excepto para limpiar la parte inferior de la plataforma. Puede dañar los componentes eléctricos, los husillos, las poleas, los rodamientos o el motor. El uso de agua acortará la vida útil de la máquina y reducirá su capacidad de servicio.

- Mantenga ambos lados de las ranuras de enfriamiento de la transmisión, el colector de escape, alrededor de los fusibles, todo el cableado y los arneses de cables, el tubo del silenciador, el protector del silenciador, los filtros de admisión del motor y las aletas de refrigeración, etc. libres de residuos de pasto y hojas. Consulte la Figura 31.

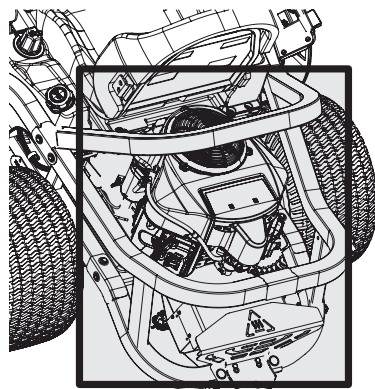


Figura 31

SERVICIO Y MANTENIMIENTO

- Limpie la parte superior de la plataforma de corte, debajo de las cubiertas del husillo y del área de la correa. Consulte la Figura 32.

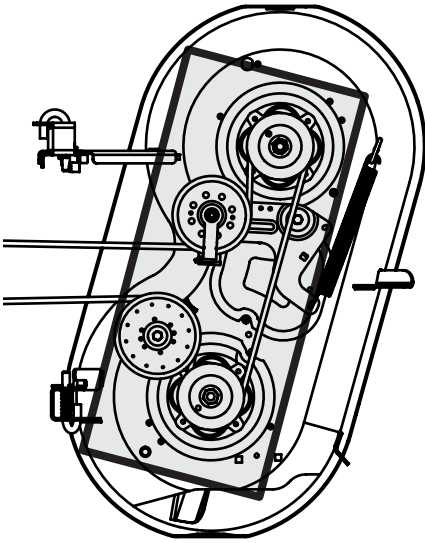
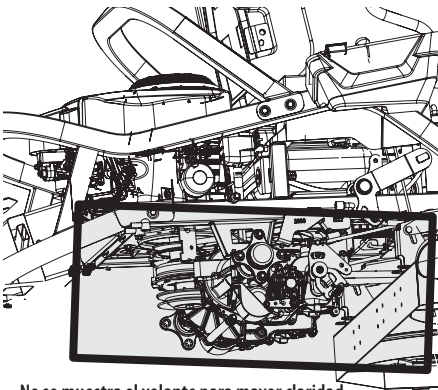


Figura 32

- Limpie alrededor y cerca del área de la transmisión, del eje y del ventilador. Consulte la Figura 33.



No se muestra el volante para mayor claridad

Figura 33

- Se pueden acumular residuos en cualquier parte del tractor, especialmente en superficies horizontales. Puede ser necesario realizar una limpieza adicional cuando corte césped en condiciones secas o cuando haga abono.
- Las fugas y los derrames de combustible o de aceite y la lubricación excesiva también pueden convertirse en lugares de acumulación de residuos. La reparación de las fugas y la limpieza inmediata de los derrames de aceite o de combustible pueden ayudar a reducir los riesgos de incendio.

- Además de limpiar el tractor antes de utilizarlo y antes de guardarlo, no intente cortar césped demasiado crecido (de 10" (25.4 cm) o más de altura), seco (como un pastizal) ni pilas de hojas secas. El césped o las hojas secas pueden entrar en contacto con el escape del motor y/o acumularse en la plataforma de corte presentando un potencial peligro de incendio.

Almacenaje del tractor

- Deje que la máquina se enfríe en un lugar abierto al menos cinco minutos antes de almacenarla.
- No estacione el tractor cerca de cualquier material inflamable (madera, ropa o productos químicos) o de llamas abiertas o cualquier otra fuente de ignición (hornos, calentadores de agua u otros tipos de calefactores).
- Quite todos los materiales combustibles del tractor antes de guardarlo. Vacíe las cajas de carga y los colectores o contenedores de césped.
- Si el tractor está equipado con una válvula de corte de combustible, interrumpa siempre el flujo de combustible cuando almacene o transporte el tractor.
- Verifique el sistema de combustible (circuitos, el depósito, el tapón y los accesorios) de acuerdo con el cuadro de mantenimiento para ver si hay grietas o pérdidas. Repárelos y límpielos según sea necesario.

Mantenimiento

EXTRACCIÓN DEL PANEL DEL PISO (SI ESTÁ EQUIPADO)

⚠ ADVERTENCIA

No opere el tractor si se extrajo el panel del piso.

En algunos modelos se puede extraer el panel del piso para el mantenimiento, las reparaciones y la limpieza. Para extraer el panel del piso:

1. Con una herramienta para usos múltiples (si está equipada) o una llave de cubo de 1/2", extraiga el tornillo de cabeza hexagonal (a) que sujeta el panel del piso en su lugar. Consulte 1 en la Figura 34.

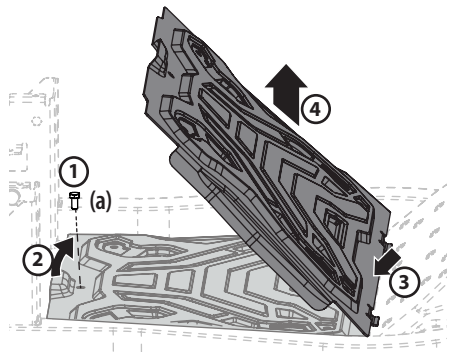


Figura 34

SERVICIO Y MANTENIMIENTO

- Levante con cuidado la parte trasera del panel del piso. Consulte 2 en la Figura 34 en la página 57.
- Para liberar el frente del panel del piso, deslícelo hacia atrás. Consulte 3 en la Figura 34 en la página 57.
- Levántelo para separarlo del tractor. Consulte 4 en la Figura 34 en la página 57.
- Para colocar el panel del piso nuevamente en el tractor, vuelva a colocarlo con atención en su lugar y vuelva a colocar el tornillo de cabeza hexagonal que se extrajo en el paso 1. Ajuste hasta 108-132 pulgadas-libras (12-15 N-m).

MOTOR

⚠ ADVERTENCIA

Deje que la máquina se enfríe en un lugar abierto al menos cinco minutos antes de almacenarla o de volver a cargarle combustible.

Consulte las instrucciones y procedimientos de mantenimiento del motor en el Manual del operador del motor.

NOTA: El mantenimiento, la reparación o el reemplazo de los dispositivos y de los sistemas de control de emisiones que se estén realizando por cuenta del propietario pueden ser llevados a cabo por cualquier individuo o establecimiento especializados en reparación de motores. Los arreglos en garantía deben ser realizados por distribuidor autorizado.

CAMBIO DE ACEITE DEL MOTOR

⚠ ADVERTENCIA

Si el tractor ha estado en funcionamiento recientemente, el motor, el silenciador y las superficies metálicas circundantes estarán muy calientes y pueden causar quemaduras en la piel. Deje que el motor se enfríe durante al menos cinco minutos. Tenga precaución para evitar quemaduras.

NOTA: El filtro de aceite se debe cambiar en cada intervalo de cambio de aceite.

Para realizar el cambio de aceite, proceda de la siguiente manera:

- Ubique la manguera de drenaje de aceite (a) en el costado del motor. Consulte la Figura 35.
- Para recoger el aceite usado, coloque un recipiente adecuado para recolectar el aceite, con al menos una capacidad de 2.5 cuartos (2.37 litros), debajo de la abertura del tubo de drenaje de aceite. Retire el tapón de llenado de aceite/la varilla de nivel de aceite (b) del tubo de llenado. Consulte la Figura 35.
- Mientras sostiene el extremo libre de la manguera de drenaje de aceite sobre el recipiente de recolección de aceite, desenrosque el tapón con cabeza cuadrada de la manguera (c) del extremo de la manguera de drenaje de aceite. Consulte la Figura 35. Drene el aceite del motor dentro del recipiente recolector.

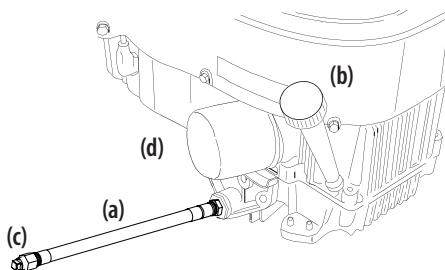


Figura 35

- Una vez que haya drenado el aceite, limpie el aceite residual de la manguera de drenaje de aceite. Enrosque el tapón con cabeza cuadrada de la manguera en el accesorio de la manguera de drenaje de aceite, y ajuste dicho tapón hasta 16 pies-libras (22 N-m).
- Extraiga el filtro de aceite (d) y drene en el recipiente recolector.
- Vuelva a colocar el filtro de aceite (d) y cargue el motor con aceite nuevo según las instrucciones del Manual del operador del motor.

NOTA: Coloque una toalla absorbente debajo del filtro de aceite para mantener el aceite fuera del embrague.

NOTA: Respete las normas y reglamentaciones sobre la manera correcta de desechar gasolina, aceite, etc. para proteger el medio ambiente.

NOTA: El mantenimiento, la reparación o el reemplazo de los dispositivos y de los sistemas de control de emisiones que se estén realizando por cuenta del propietario pueden ser llevados a cabo por cualquier individuo o establecimiento especializados en reparación de motores. Los arreglos en garantía deben ser realizados por un distribuidor autorizado.

LUBRICACIÓN

⚠ ADVERTENCIA

Antes de lubricar, reparar o inspeccionar, desconecte siempre la toma de fuerza (PTO), ponga el freno de mano, pare el motor y retire la llave, para evitar el encendido accidental del motor.

- Con un aceite lubricante de buena calidad, lubrique todos los puntos de lubricación. Consulte la tabla del Cronograma de mantenimiento que figura en este manual para conocer los intervalos de mantenimiento adecuados.

SERVICIO Y MANTENIMIENTO

MANTENIMIENTO DEL DISPOSITIVO CONTRA CHISPAS (SI ESTÁ EQUIPADO)

Los conjuntos de dispositivos contra chispas se deben inspeccionar y limpiar periódicamente (consulte la tabla del intervalo de mantenimiento que figura en este manual). Inspeccione visualmente el filtro para detectar roturas, cables rotos o soldaduras sueltas. Vuelva a colocar el conjunto del dispositivo contra chispas si existen algunas de estas condiciones. Si la pantalla está en buenas condiciones, limpie la pantalla cepillando para sacar la suciedad o las partículas de carbono sueltas.

NEUMÁTICOS

Mantenga los neumáticos inflados a las presiones recomendadas. El inflado inadecuado de un neumático reduce su vida útil. Consulte los laterales de los neumáticos para averiguar las presiones de inflado adecuadas. Consulte la tabla del Cronograma de mantenimiento que figura en este manual para conocer los intervalos de mantenimiento adecuados.

Respete las siguientes pautas:

- No infle los neumáticos por encima de la presión máxima que se muestra en el lateral del neumático.
- No vuelva a inflar un neumático que se ha utilizado desinflado o desinflado en extremo. Un gomero calificado debe inspeccionar y reparar el neumático.

TRANSMISIÓN HIDROSTÁTICA

Su tractor de radio de giro cero está equipado con dos transejes/bombas hidrostáticas. Algunos modelos están equipados con un depósito de expansión de aceite de transmisión. En condiciones operativas normales, no es necesario controlar el nivel de aceite de los depósitos de expansión y no hace falta aceite adicional.

PROCEDIMIENTO PARA CONTROLAR Y AGREGAR ACEITE DE TRANSMISIÓN

Por favor, consulte a su distribuidor de servicio autorizado para los cambios de aceite de transmisión.

Almacenamiento fuera de temporada

Si el tractor no va a funcionar por un período prolongado (treinta días o más), se lo debe preparar para el almacenamiento. Guarde el tractor en un lugar seco y protegido. Si lo guarda afuera, cúbralo (incluidos los neumáticos) para protegerlo de los fenómenos climáticos. Cada vez que almacena el tractor se deben realizar los procedimientos que se describen más abajo.

1. Cambie el aceite y el filtro del motor siguiendo las instrucciones suministradas en este manual, como así también el manual del motor embalado con este tractor.

ADVERTENCIA

Nunca guarde el tractor con combustible en el depósito en un lugar cerrado o con escasa ventilación, donde los gases del combustible pueden alcanzar llamas abiertas, chispas o una luz piloto como la de un horno, calentador de agua, secador de ropa, etc.

2. Si guarda el tractor por 30 días o más:
 - a. Para evitar que se formen depósitos de goma dentro del carburador del motor y posibles desperfectos en el motor, el sistema de combustible debe ser vaciado completamente, o se debe tratar la gasolina con un estabilizador para evitar el deterioro.
 - b. Uso de un estabilizador de combustible para almacenamiento de entre 30 y 90 días:
 - Lea las instrucciones y recomendaciones del fabricante del producto.
 - Agregue a la gasolina limpia y nueva la cantidad correcta de estabilizador según la capacidad (aproximadamente 3 galones) del sistema de combustible.
 - Llene el depósito de combustible con combustible tratado y haga funcionar el motor 2-3 minutos para estabilizar el combustible dentro del carburador.
 - El combustible que queda en el depósito se deteriora y causa graves problemas de arranque.
 - c. Vaciado del sistema de combustible para almacenamiento de más de 90 días:
 - Antes de guardar el tractor, observe el consumo de combustible a los efectos de hacer funcionar el tractor hasta que el depósito esté vacío.
 - Haga funcionar el motor hasta que comience a detenerse. Use el cebador para mantener el motor en funcionamiento hasta que se haya agotado todo el combustible del carburador.
 - Drene el combustible del recipiente del carburador, consultando el manual del motor.
3. Limpie perfectamente el motor y todo el tractor.

NOTA: No se recomienda el uso de una lavadora de presión ni de una manguera de jardín para limpiar el tractor, excepto para limpiar la parte inferior de la plataforma. Puede dañar los componentes eléctricos, los husillos, las poleas, los rodamientos o el motor. El uso de agua acortará la vida útil de la máquina y reducirá su capacidad de servicio.

4. Cargue totalmente la batería, luego desconecte el cable negativo de la batería para evitar posibles descargas. Vuelva a cargar la batería periódicamente durante el almacenamiento.

NOTA: Retire la batería si está expuesta a períodos prolongados de temperaturas inferiores al congelamiento. Guarde en un lugar fresco y seco, donde las temperaturas estén por encima del punto de congelamiento.

5. Lubrique todos los puntos de lubricación.

Retiro del tractor del lugar de almacenamiento

1. Inspeccione el aceite del motor.
2. Cargue totalmente la batería e infle los neumáticos a la presión recomendada. Consulte los laterales de los neumáticos para averiguar las presiones de inflado adecuadas.
3. Llene el depósito de combustible con gasolina limpia y nueva.
4. Arranque el motor y déjelo andar en ralentí unos cuantos minutos para asegurar que su funcionamiento sea adecuado.
5. Conduzca el tractor sin carga para estar seguro de que todos los sistemas del tractor funcionan correctamente.

Ajustes

AJUSTE DEL PEDAL DE ELEVACIÓN DE LA PLATAFORMA

1. Coloque la plataforma en la posición de transporte.
2. Retire el perno hexagonal, la arandela y la tuerca hexagonal cerca del centro del conjunto del pedal. Vea la Figura 36.

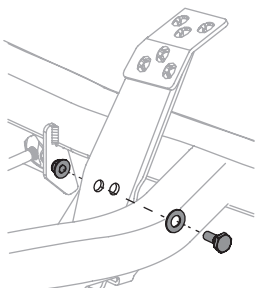


Figura 36

3. Coloque el pedal en la posición óptima según la preferencia del operador. Vea la Figura 37.

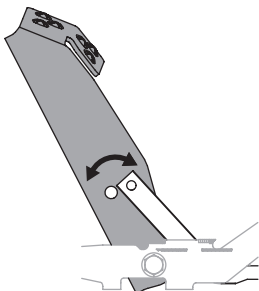


Figura 37

4. Vuelva a instalar el hardware que retiró anteriormente y apriete la tuerca a 28-35 pies-libras (38-47 N-m). Vea la Figura 36.

NIVELACIÓN DE LA PLATAFORMA

Si la plataforma de corte estuviera realizando el corte de césped de forma despareja, puede realizarse el ajuste de nivelación.

⚠ ADVERTENCIA

Si el tractor ha estado en funcionamiento recientemente, el motor, el silenciador y las superficies metálicas circundantes estarán muy calientes y pueden causar quemaduras en la piel. Deje que el motor se enfríe durante al menos cinco minutos. Tenga precaución para evitar quemaduras.

⚠ ADVERTENCIA

Las cuchillas del tractor están afiladas. Envuelva la cuchilla o use guantes, y tenga mucho cuidado cuando las revise.

NIVELACIÓN DE LA PLATAFORMA (DE LADO A LADO)

1. Coloque la manija de elevación de la plataforma o la perilla de elevación de la plataforma en la posición intermedia de corte y gire ambas cuchillas exteriores para que queden perpendiculares al tractor.
2. Mida la distancia desde la parte externa de la punta de la cuchilla izquierda hasta el piso, y desde la parte externa de la punta de la cuchilla derecha hasta el piso. Las dos mediciones obtenidas deben ser iguales. Si no lo son, prosiga al paso siguiente.
3. Ubique los pernos de ajuste (a) del lado izquierdo y derecho de la plataforma. Consulte la Figura 38.
4. Afloje pero no extraiga las contratuercas (b) en el perno de ajuste. Ajuste el perno de ajuste derecho o izquierdo arriba o abajo según sea necesario hasta que la altura de un lado a otro sea equivalente. Consulte la Figura 38.

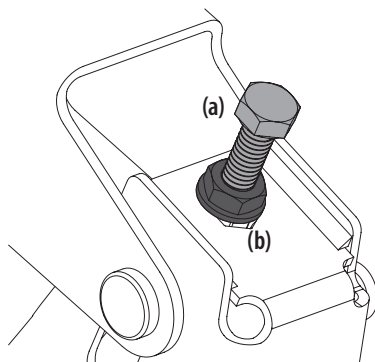


Figura 38

NOTA: Siga verificando la nivelación de adelante hacia atrás a medida que realiza el ajuste de un lado a otro, ya que este ajuste puede afectar la nivelación de adelante hacia atrás. Si fuera necesario, ajuste la nivelación de adelante hacia atrás como se indica en la siguiente sección.

5. Cuando se logra el ajuste correcto, vuelva a apretar la contratuerca (b). Ajuste hasta 57 pies-libras (77.3 N-m). Consulte la Figura 38.

NIVELACIÓN DE LA PLATAFORMA (INCLINACIÓN/DE ADELANTE HACIA ATRÁS)

La parte delantera de la plataforma debe estar entre 1/16-1/4" (2-6 mm) más abajo que la parte trasera de la plataforma. De ser necesario, realice un ajuste de la siguiente manera:

1. Estacione el tractor sobre una superficie firme y nivelada, y coloque la manija de elevación de plataforma o la perilla de elevación de la plataforma en una posición intermedia.
2. Rote la cuchilla lo más cerca posible del canal de descarga de manera que esté en paralelo con el tractor.
3. Mida la distancia desde la parte delantera de la punta de la cuchilla hasta el suelo, y desde la parte posterior de la punta de la cuchilla hasta el suelo. La primera medición tomada debe ser de entre 1/16-1/4" (2-6 mm) menos que la segunda medición.
4. Determine la distancia aproximada necesaria para un ajuste adecuado y, de ser necesario, proceda.
5. Para **elevar** el frente de la plataforma, extraiga la tapa de extremo, afloje la contratuerca exterior (a) y apriete (rosca hacia adentro) la tuerca interior (b) contra la ménsula de suspensión delantera. Consulte la Figura 39. Una vez alcanzado el ajuste adecuado, vuelva a ajustar la contratuerca exterior (a) y vuelva a colocar la tapa de extremo.

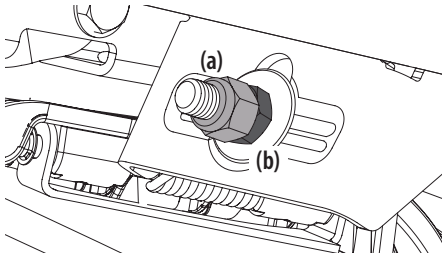


Figura 39

6. Para **bajar** el frente de la plataforma, extraiga la tapa de extremo, afloje la contratuerca exterior (a) y afloje (rosca hacia afuera) la tuerca interior (b) alejándola de la ménsula de suspensión delantera. Consulte la Figura 39. Cuando se logre el ajuste correcto, vuelva a apretar la contratuerca externa (a) hasta 57 pies-libras (77 N-m) y vuelva a colocar la tapa de extremo.

AJUSTE DE LAS RUEDAS DE LA PLATAFORMA

⚠ ADVERTENCIA

Mantenga las manos y los pies alejados de la abertura de descarga de la plataforma de corte.

NOTA: Las ruedas de la plataforma constituyen un mecanismo para el cuidado del césped y no fueron diseñadas para soportar el peso de la plataforma de corte. Las ruedas de la plataforma deben estar aproximadamente entre 1/4-1/2" (6.35-12.7 mm) por encima del nivel del suelo cuando la plataforma se fija en el valor de altura deseado. Para obtener instrucciones sobre cómo ajustar las ruedas de la plataforma consulte la sección Montaje.

AJUSTE DE DETENCIÓN DE LAS PALANCAS DE CONTROL DE LA TRANSMISIÓN DE BARRAS DE SEGURIDAD

Cuando ambas palancas de control de la transmisión de barras de seguridad están completamente extendidas hacia adelante hasta la posición de velocidad máxima y el tractor se desplaza a la derecha o a la izquierda, se puede regular el ajuste de detención de las palancas de control de la transmisión de barras de seguridad para sincronizar las velocidades de las ruedas. Para realizar el ajuste proceda de la siguiente manera:

1. Identifique el lado hacia el que se desplaza el tractor y ajuste la palanca de control de la transmisión de barras de seguridad del lado contrario. Si el tractor se desplaza hacia la derecha, ajuste la palanca de control de la transmisión de barras de seguridad izquierda abajo (reduzca la velocidad) y viceversa.
2. Ubique los pernos del ajuste de detención de las palancas de control de la transmisión de barras de seguridad (a) que están en el frente del marco del asiento. Consulte la Figura 40.

NOTA: La herramienta para usos múltiples (si está equipada) se puede usar para hacer este ajuste.

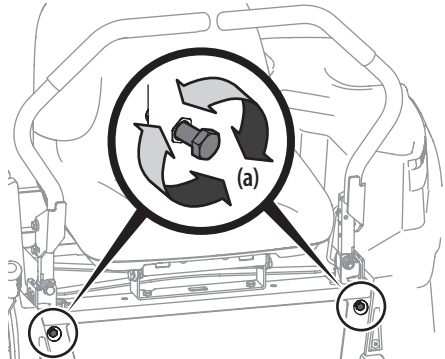


Figura 40

3. Para reducir la velocidad de avance, gire los pernos del ajuste de detención de las palancas de control de la transmisión de barras de seguridad (a) en el sentido de las agujas del reloj. Para incrementar la velocidad de marcha hacia adelante, gire los pernos de ajuste de detención de las palancas de control de la transmisión de barras de seguridad (a) en el sentido contrario a las agujas del reloj. Gire los pernos de ajuste de detención de las palancas de control de la transmisión de barras de seguridad (a) en la dirección necesaria 1/4 de giro por vez. Después de girar los pernos de ajuste de detención de las palancas de control de la transmisión de barras de seguridad (a), compruebe el ajuste manejando el tractor. Consulte la Figura 40.

- Continúe el ajuste hasta que las velocidades de las ruedas estén sincronizadas y el tractor circule en línea recta con las palancas de control de la transmisión completamente extendidas hacia adelante en la posición de velocidad máxima.

NOTA: Compruebe que los pernos se extiendan a través de las tuercas del bastidor para activar la función de bloqueo.

Servicio

SISTEMA ELÉCTRICO

El tractor tiene instalado un fusible para proteger el sistema eléctrico de los daños causados por el exceso de amperaje. Siempre reemplace con fusibles de la misma capacidad. Si el sistema eléctrico no funciona, controle si hay un fusible quemado.

Si se repite el problema de los fusibles quemados, haga que el distribuidor de servicio autorizado de su localidad revise el sistema eléctrico del tractor.

RELÉS E INTERRUPTORES

Hay varios interruptores de seguridad en el sistema eléctrico. Si una función del sistema de bloqueo de seguridad descrito antes no funciona adecuadamente, haga que el distribuidor de servicio autorizado revise el sistema eléctrico.

AJUSTE DEL FRENO DE MANO

Si el tractor no se detiene por completo cuando se colocan las palancas de control totalmente hacia atrás engançando el freno de mano, o si las ruedas traseras del tractor siguen rodando con el freno de mano colocado (y la válvula de descarga hidrostática abierta) el freno necesita un ajuste. Consulte al distribuidor de servicio autorizado para realizar un ajuste del freno.

RETIRO DE LA PLATAFORMA

Retire la plataforma de corte del tractor de la siguiente forma:

- Lleve el tractor a una superficie nivelada, desconecte la PTO, pare el motor y coloque las palancas de control de la transmisión del lado derecho e izquierdo completamente hacia afuera en la posición de freno de mano activado.
- Hay dos métodos para extraer la correa, para extraer la correa aflojando la tensión de la correa prosiga al paso 3, para extraer la correa haciéndola rodar fuera de la polea de la PTO, pase al paso 4.

⚠ ADVERTENCIA

Tenga cuidado de no pellizcarse los dedos cuando saca la correa de la polea de la PTO.

- Para aflojar la tensión de la correa con la polea loca:
 - Usando la manija de elevación de la plataforma o el pedal y la perilla de elevación de la plataforma, levante la plataforma a la posición que le ofrece mayor recorrido horizontal de la correa entre las poleas locas de la plataforma y la polea de la PTO en la base del motor. Vea la Figura 41.

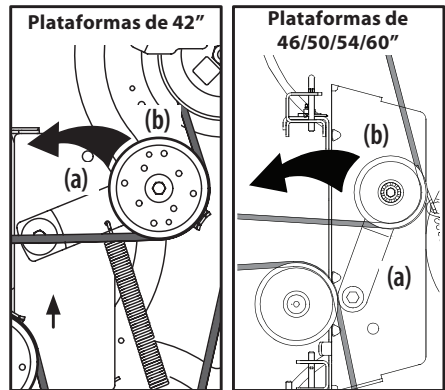


Figura 41

- Desde la parte media del tractor, haga girar el soporte de polea loca (a) y la polea loca móvil (b) hacia atrás, justo lo suficiente para levantar la correa, por encima de la polea del husillo. Consulte la Figura 41.
 - Desde abajo de la parte trasera del tractor, deslice la correa para sacarla de la polea de la toma de fuerza (PTO) en la base del motor.
 - Baje la plataforma a la posición de corte más baja.
 - Prosigua con el paso 5.
- Para hacer rodar la correa para sacarla de la polea de la toma de fuerza (PTO):
 - Levante la plataforma a la posición que le ofrece mayor recorrido horizontal de la correa entre las poleas locas de la plataforma y la polea de la PTO en la base del motor.
 - Sentado detrás del tractor, mirando hacia adelante, estire la mano debajo del tractor para agarrar la correa por delante de la polea de la PTO.
 - Tire del lado izquierdo de la correa hacia atrás y hacia abajo mientras gira manualmente la polea de la PTO hacia la derecha hasta que la correa se deslice hacia afuera sobre el borde inferior de la polea.

NOTA: Si tira del lado derecho de la correa, gire la polea hacia la izquierda.

- Mientras sostiene la correa de la PTO (a) hacia abajo, siga girando la polea de la PTO (b) hasta que la correa de la PTO (a) se deslice fuera de la polea (b). Consulte la Figura 42.

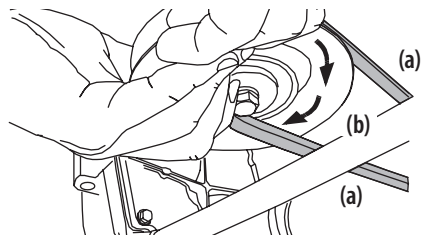


Figura 42

SERVICIO Y MANTENIMIENTO

- e. Baje la plataforma a la posición de corte más baja.
- f. Siga con el paso 5.

⚠ ADVERTENCIA

La elevación de la plataforma en los tractores con la perilla de elevación de plataforma se acciona con resorte y bajo tensión. Pueden ocurrir lesiones si la elevación de la plataforma accionada por resorte se suelta repentinamente. Use siempre la herramienta para usos múltiples para sujetar la elevación de la plataforma en su lugar.

5. En los tractores equipados con la perilla de elevación de la plataforma, use el pedal de elevación de la plataforma y la perilla de elevación de la plataforma para ubicar la plataforma en la posición más baja, y use la herramienta para usos múltiples (a) para bloquear los componentes de la elevación de la plataforma en su lugar como se muestra en la Figura 43. En tractores con una manija de elevación de la plataforma, baje la plataforma a la posición más baja.

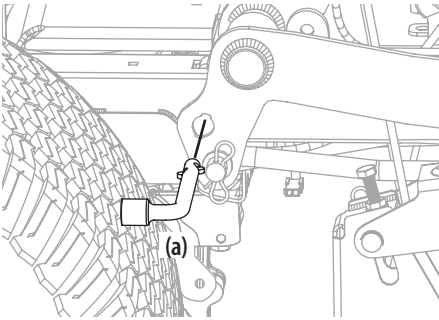


Figura 43

- a. Extraiga los dos pasadores con unión curva (a) de los pasadores de horquilla (b) que sujetan los soportes del varillaje de elevación (c) a los soportes traseros de elevación de la plataforma (d) en la plataforma. Extraiga los pasadores de horquilla (b). Consulte la Figura 44.

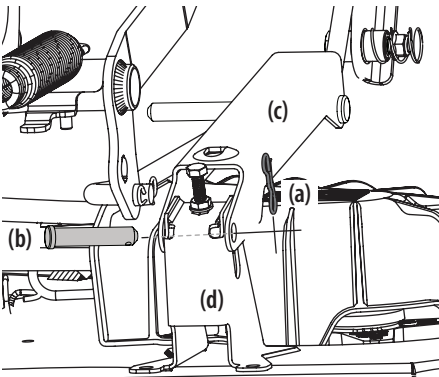


Figura 44

- b. Extraiga el tercer pasador con unión curva (a) del pasador de horquilla (b) que sujeta la varilla de control de la plataforma delantera (c) al soporte delantero de elevación de la plataforma (d). Extraiga los pasadores de horquilla (b). Consulte la Figura 45.

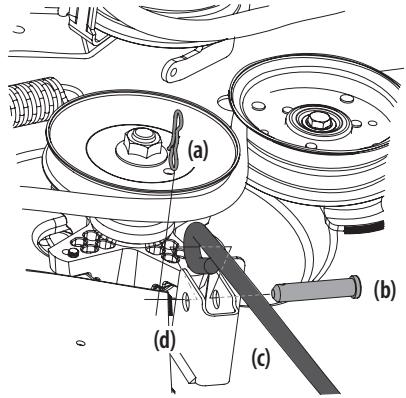


Figura 45

- c. Maniobre con atención la plataforma para sacarla de debajo del tractor.

INSTALACIÓN DE LA PLATAFORMA

Instale la plataforma sobre el tractor de la siguiente forma:

1. Maniobre con atención la plataforma debajo del tractor desde el lado derecho, alineando las ménsulas de suspensión de la plataforma y los brazos de elevación de la plataforma en tractores con varilla de elevación de la plataforma/pasador de liberación de la plataforma, y alinee los soportes del varillaje de elevación y la varilla de control de la plataforma delantera con los soportes de elevación de la plataforma en tractores con tres pasadores.

2. Una vez que la plataforma esté debajo del tractor, mueva la plataforma a la posición de corte más baja.

NOTA: Para que los soportes se alineen adecuadamente puede ser necesario colocar un bloque de madera pequeño debajo de cada lado de la plataforma.

3. Vuelva a instalar los herrajes adecuados para su tractor.
4. Asegúrese de que la correa en 'V' esté en las poleas del husillo de la plataforma, luego oriente la correa hacia atrás por debajo del bastidor del tractor, por encima de los tubos de transmisión, hacia la polea de la toma de fuerza (PTO) en la base del motor.
5. Levante la plataforma a la posición que le ofrece mayor recorrido horizontal de la correa entre las poleas locas de la plataforma y la polea de la PTO en la base del motor.
6. Asegúrese de que la correa esté en las poleas del husillo de la plataforma y que el lado trasero de la correa esté contra las poleas locas fija y móvil.

SERVICIO Y MANTENIMIENTO

7. Sentado detrás del tractor, mirando hacia adelante, asegúrese de que la correa no esté retorcida; luego estire la mano debajo del tractor para agarrar la correa y tirar de la misma hacia la polea de la PTO.

⚠ ADVERTENCIA

Tenga cuidado de no pellizcarse los dedos cuando coloca la correa en la polea de la toma de fuerza.

8. Tire del lado derecho de la correa de la PTO hacia atrás y coloque el lado V angosto de la correa de la PTO en la polea de la PTO. Consulte la Figura 42 en la página 62.
9. Mientras sostiene la correa y la polea de la PTO juntas, gire la polea de la PTO hacia la izquierda (Vea la Figura 42 en la página 62). Siga sosteniendo y rotando la polea de la PTO y la correa de la PTO hasta que la correa de la PTO se enrolle totalmente en la polea de la PTO.

NOTA: Antes de usar el tractor, compruebe la instalación de la correa para estar seguro de que la misma se ha colocado correctamente.

CAMBIO DE LA CORREA

1. Extraiga la plataforma de la parte inferior del tractor (consulte la sección Extracción de la plataforma).
2. Afloje, pero no quite los herrajes de la polea loca a la derecha (a) y la izquierda (b). Consulte la Figura 46 para las plataformas de 42", la Figura 47 para las plataformas de 46", la Figura 48 para las plataformas de 50" y 54" y la Figura 49 para las plataformas de 60".

NOTA: Tome nota de la posición de la protección de correa (c) para asegurar que se haya vuelto a instalar de manera correcta.

NOTA: En algunas plataformas puede ser necesario retirar las cubiertas de los husillos para sacar y/o instalar la correa nueva. Para retirar las cubiertas de los husillos, saque los tornillos que los sujetan a la plataforma.

3. Extraiga con cuidado la correa de alrededor de las poleas locas (a y b) y de las poleas del husillo (d).
4. Instale las nuevas poleas de la correa como se muestra y reinstale las cubiertas de la correa.
5. Coloque la correa alrededor de las poleas locas que extrajo en el paso 3 con el lado en 'V' orientado hacia adentro. Una vez que todo esté en su lugar, vuelva a colocar los herrajes y ajuste la tuerca de seguridad con brida para sujetar el conjunto.
6. Pase la correa como se indica y vuelva a instalar la plataforma (consulte Instalación de la plataforma).

Plataformas de 42"

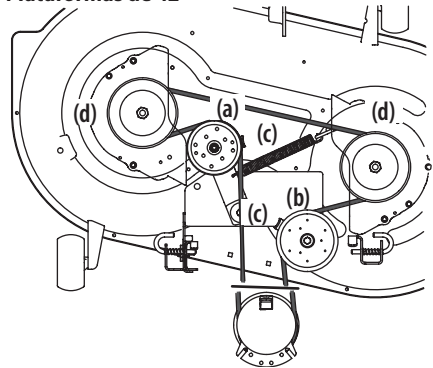


Figura 46

Plataformas de 46"

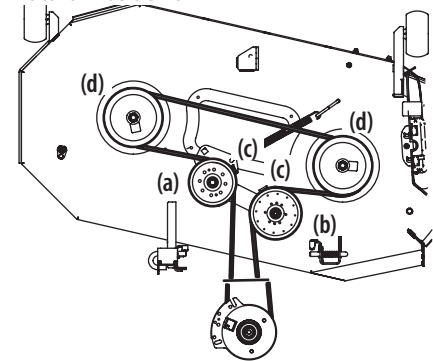


Figura 47

Plataformas de 50/54"

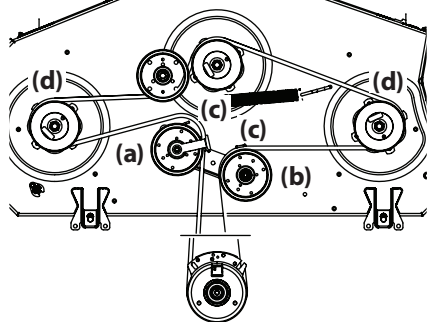


Figura 48

Plataformas de 60"

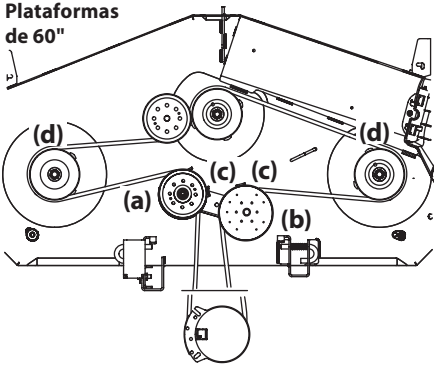


Figura 49

Cuidado de las cuchillas del tractor

⚠ ADVERTENCIA

Antes de realizar tareas de mantenimiento, desactive la PTO y mueva las palancas de control de la transmisión de barras de seguridad completamente hacia afuera hasta la posición de freno de mano activado. Si deja el tractor sin vigilancia, gire la llave de contacto hasta la posición STOP (detención) y retírela. Proteja sus manos utilizando guantes reforzados cuando manipule las cuchillas. Cuando realice el mantenimiento de la plataforma de corte del tractor, tenga cuidado para no cortarse con las cuchillas filosas.

Las cuchillas de corte deben estar siempre afiladas. Afile los bordes de corte de las cuchillas de forma pareja de modo que las cuchillas queden balanceadas y se mantenga el mismo ángulo de filo.

Si el borde de corte de una cuchilla ya se ha afilado muchas veces, o si hay alguna separación en el metal, se recomienda instalar cuchillas nuevas. El distribuidor autorizado le puede proveer cuchillas nuevas.

SISTEMA DE CUCHILLA DE ESTRELLA (SI SE INCLUYE)

Las cuchillas se pueden sacar de la siguiente manera:

1. Extraiga la plataforma de la parte inferior del tractor (consulte la sección Extracción de la plataforma); luego voltee con delicadeza la plataforma para dejar al descubierto su parte inferior.
2. Use una llave de 15/16" para sostener la tuerca hexagonal en la parte superior del conjunto del husillo cuando afloje la tuerca hexagonal (a) que fija la cuchilla (b). Se puede colocar un bloque de madera (c) entre el alojamiento de la plataforma y el borde de corte de la cuchilla (b) para ayudar a aflojar la tuerca hexagonal (a) que fija la cuchilla. Consulte la Figura 50.

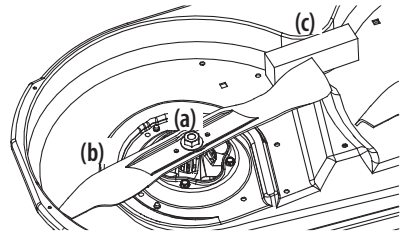


Figura 50

3. Cuando reinstale las cuchillas, asegúrese de que se instalen de modo que las aletas se orienten hacia arriba hacia la parte superior de la plataforma.
4. Ajuste las tuercas hexagonales (a) a 70-90 pies-libras (95-122 N-m).
5. Reinstale la plataforma (consulte Instalación de la plataforma).

SISTEMA DE CUCHILLAS CON S-BLADES (SI SE INCLUYE)

Las cuchillas se pueden sacar de la siguiente manera:

1. Extraiga la plataforma de la parte inferior del tractor, (consulte la sección Retiro de la plataforma); luego voltee con delicadeza la plataforma para dejar al descubierto su parte inferior.
2. Use una llave de 15/16" para sostener la tuerca hexagonal en la parte superior del conjunto del husillo cuando afloje la tuerca hexagonal (a) y arandela (d)* que fijan la cuchilla (b). Se puede colocar un bloque de madera (c) entre el alojamiento de la plataforma y el borde de corte de la cuchilla (b) para ayudar a aflojar la tuerca hexagonal (a) y arandela (d)* que fijan la cuchilla. Vea la Figura 51.
3. Cuando reinstale las cuchillas, asegúrese de lo siguiente (vea la Figura 51):
 - a. Las cuchillas (b) se instalan de modo que las aletas se orienten hacia arriba hacia la parte superior de la plataforma.
 - b. La arandela (d)* se coloca entre la parte inferior de la cuchilla (b) y la tuerca hexagonal (a).

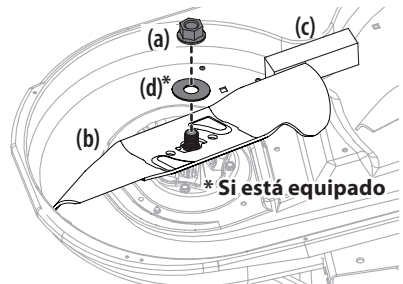


Figura 51

¡IMPORTANTE! Alinee el recorte en forma de "S" con la forma de "S" correspondiente en el huso para un ajuste seguro.

SERVICIO Y MANTENIMIENTO

- Ajuste las tuercas hexagonales (a) a 70-90 pies-libras (95-122 N-m).
- Reinstale la plataforma (consulte Instalación de la plataforma en esta sección).

Cambio de la correa de transmisión

Para cambiar la correa de transmisión del tractor, se deben retirar varios componentes y se requieren herramientas especiales. Solicite a un distribuidor de servicio autorizado que realice el reemplazo de la correa de transmisión.

Desplazamiento lento del tractor

Desplazamiento lento es el movimiento del tractor adelante o hacia atrás cuando el acelerador está activado y las palancas de control de transmisión están en posición neutra. Si tractor se desplaza lentamente, consulte al distribuidor autorizado para el mantenimiento.

Solución de problemas

ADVERTENCIA

Antes de realizar cualquier tipo de mantenimiento o servicio, desactive todos los controles y detenga el motor. Espere a que se detengan completamente todas las piezas móviles. Desconecte el cable de la bujía y póngalo haciendo masa contra el motor para evitar que se encienda accidentalmente. Utilice siempre anteojos de seguridad durante el funcionamiento o mientras ajusta o repara este equipo.

En esta sección se analizan problemas menores de servicio. Para localizar el centro de servicio técnico autorizado más cercano consulte la hoja complementaria que se entrega por separado donde consta la información de contacto.

PROBLEMA	CAUSA	SOLUCIÓN
El motor no arranca	<ol style="list-style-type: none">Perilla de toma de fuerza (PTO)/activación de cuchilla activada.No está puesto el freno de mano.Se ha desconectado el cable de bujía.La palanca de control del acelerador no está en la posición de arranque correcta.El depósito de combustible está vacío o el combustible se ha echado a perder.El circuito del combustible o el filtro de combustible están obstruidos.La bujía no funciona correctamente.Motor ahogado.Fusible(s) quemado(s).	<ol style="list-style-type: none">Coloque la perilla en la posición de desconexión (OFF).Coloque el freno de mano.Conecte el cable a la bujía.Mueva la palanca del acelerador a la posición FAST (rápido).Llene el depósito con gasolina limpia y nueva (de menos de 30 días de antigüedad).Vuelva a colocar el circuito de combustible. Comuníquese con distribuidor de servicio calificado. Reemplace el filtro de combustible.Limpie, ajuste la separación, o cambie la bujía.Arranque el motor con el acelerador en la posición FAST (rápido).Reemplace el fusible.

SERVICIO Y MANTENIMIENTO

PROBLEMA	CAUSA	SOLUCIÓN
El motor funciona de manera errática	<ol style="list-style-type: none"> 1. El tractor cortacésped está funcionando con el Cebador activado. 2. El cable de la bujía está flojo. 3. El circuito del combustible está obstruido o el combustible se ha echado a perder. 4. La ventilación en la tapa del combustible está obstruida. 5. Hay agua o suciedad en el sistema de combustible. 6. El depurador de aire está sucio. 	<ol style="list-style-type: none"> 1. Compruebe que el cebador eléctrico funcione. Comuníquese con distribuidor de servicio calificado. 2. Conecte y ajuste el cable de la bujía. 3. Vuelva a colocar el circuito de combustible. Comuníquese con distribuidor de servicio calificado. Llene el tanque con gasolina limpia y nueva y reemplace el filtro de combustible. 4. Destape la ventilación o reemplace la tapa si está dañada. 5. Vacíe el depósito de combustible. Recargue el depósito con gasolina limpia y nueva. 6. Limpie o reemplace el elemento de papel del depurador de aire o limpie el prefiltro de espuma.
El motor recalienta	<ol style="list-style-type: none"> 1. El nivel de aceite del motor está bajo. 2. Restricción en el flujo de aire. 	<ol style="list-style-type: none"> 1. Llene el motor con cantidad y tipo de aceite adecuados. 2. Elimine los recortes de césped y los desechos de alrededor de las aletas de enfriamiento del motor y de la carcasa del soplador.
El motor vacila a altas revoluciones	<ol style="list-style-type: none"> 1. Poca separación de los electrodos de la bujía. 	<ol style="list-style-type: none"> 1. Extraiga la bujía y regule la separación.
El motor funciona mal en marcha lenta	<ol style="list-style-type: none"> 1. La bujía de encendido está sucia. 2. El depurador de aire está sucio. 	<ol style="list-style-type: none"> 1. Reemplace la bujía y regule la separación. 2. Limpie o reemplace el elemento del depurador de aire y/o limpie el prefiltro.
Excesiva vibración	<ol style="list-style-type: none"> 1. Cuchillas de corte flojas o descentradas. 2. Cuchilla de corte dañada, desafilada o doblada. 	<ol style="list-style-type: none"> 1. Apriete la cuchilla y el husillo. Equilibre la cuchilla. 2. Reemplace la cuchilla.
Corte irregular	<ol style="list-style-type: none"> 1. La plataforma no está correctamente nivelada. 2. Cuchilla desafilada. 3. Presión de neumáticos desigual. 	<ol style="list-style-type: none"> 1. Haga un ajuste de la plataforma de lado a lado. 2. Afile o cambie la cuchilla. 3. Verifique la presión de los cuatro neumáticos.

MANUEL DE L'UTILISATEUR

Tracteur à rayon de braquage zéro Commande Lapbar

Anglais (English)	Page 1
Espagnol (Spanish)	Page 32
Français	Page 68

Identification du produit

Avant d'installer et de mettre en marche votre nouvel équipement, veuillez chercher la plaque du modèle et enregistrer l'information dans la section offerte à cet effet à droite. Vous pouvez localiser la plaque du modèle en soulevant le siège et en regardant sous la plateforme du siège. Ces renseignements seront indispensables pour faire la demande d'assistance technique par l'intermédiaire de notre site Web ou d'un atelier de réparation agréé local.

Numéro de modèle

Numéro de série

AVERTISSEMENT

Lisez attentivement les consignes de sécurité et les instructions de montage et de fonctionnement avant d'utiliser cet appareil afin d'écartier tout risque d'accident et de blessure. **CONSERVEZ CES INSTRUCTIONS.**

AVERTISSEMENT

PROPOSITION 65 DE LA CALIFORNIE

Le système d'échappement d'un moteur, quelques-uns de ses éléments et certains composants de véhicule contiennent ou émettent des produits chimiques reconnus par l'état de la Californie comme cancérigènes et pouvant provoquer des anomalies congénitales ou autres problèmes liés aux fonctions reproductives.

Les plots, bornes et accessoires connexes de batterie contiennent du plomb et des composés de plomb, produits chimiques reconnus par l'État de la Californie comme cancérigènes et pouvant provoquer des risques pour les fonctions reproductives. Se laver les mains après manipulation.

REMARQUE : Ce manuel est commun à plusieurs modèles dont les caractéristiques peuvent différer du vôtre, de même que le modèle illustré.

CONSIGNES DE SÉCURITÉ

AVERTISSEMENT



Les consignes importantes sont précédées de ce symbole. Si vous ne les respectez pas, vous risquez de vous blesser grièvement ou de causer des dommages matériels. Veuillez lire et respecter toutes les instructions du présent manuel avant d'utiliser cet appareil afin d'écartier tout risque d'accident et de blessure.

Lorsque vous voyez ce symbole, **RESPECTEZ L'AVERTISSEMENT !**

DANGER

Cet appareil doit être utilisé conformément aux consignes de ce manuel. Comme pour tout type d'équipement motorisé, la négligence ou une erreur de la part de l'utilisateur peut provoquer des blessures nécessitant une amputation des doigts, des mains ou des pieds ou encore projeter des objets. Il est donc impératif de respecter scrupuleusement les consignes de sécurité énoncées.

RENSEIGNEMENTS GÉNÉRALES

1. Veuillez lire, assimiler et respecter les avertissements et les instructions qui sont apposés sur le tracteur et dans les manuels avant de la monter et de la mettre en marche. Conservez le présent manuel dans un endroit sûr pour consultation régulière et ultérieure, de même que pour commander des pièces de rechange.
2. Familiarisez-vous avec toutes les commandes et leur utilisation adéquate. Sachez comment arrêter le tracteur et débrayer rapidement les commandes.
3. Ne permettez jamais à des enfants de moins de 14 ans de se servir de ce tracteur. Des enfants de 14 ans et plus doivent lire et comprendre le mode d'emploi de ce tracteur et les consignes de sécurité. Ils doivent être formés et supervisés par un adulte.
4. Ne permettez jamais aux adultes d'utiliser ce tracteur sans les instructions appropriées.
5. En cas de situations qui ne sont pas mentionnées dans le présent manuel, soyez prudent et faites preuve de bon sens. Pour obtenir de l'aide, communiquez avec un représentant du service à la clientèle.
6. Selon la Consumer Products Safety Commission (CPSC) et la Environmental Protection Agency (EPA), ce produit a une durée de vie utile estimée de sept (7) ans, dans des conditions normales d'utilisation. À la fin de sa vie utile moyenne, faites inspecter annuellement le produit pour vous assurer que les systèmes mécaniques de sécurité fonctionnent correctement et ne sont pas trop usés. Omettre de respecter ces consignes peut entraîner des accidents, des blessures voire la mort.

PRÉPARATION AVANT UTILISATION

1. Examinez soigneusement la zone où le tracteur sera utilisée. Retirez toutes les pierres, tous les bâtons, les fils, les os, les jouets et les autres objets qui pourraient être avalés et projetés par les lames. Les objets projetés peuvent provoquer des blessures corporelles graves.
2. Pour éviter tout contact avec la lame ou d'être blessé par un projectile, éloignez les assistants à au moins 23 m (75 pi) du tracteur en cours de fonctionnement. Gardez les gens, les enfants et les animaux domestiques à l'intérieur pendant le fonctionnement. Arrêtez le tracteur si quelqu'un pénètre dans la zone de travail.
3. Soyez conscient de la direction de l'éjection du tracteur et ne le dirigez vers quiconque.
4. Pour protéger vos yeux, portez toujours des lunettes de sécurité munies ou non de coques en utilisant l'appareil, lors de réglages ou de réparations. Les objets projetés, qui ricochent, risquent de blesser grièvement les yeux.
5. Portez des chaussures robustes à semelles épaisses et des vêtements bien ajustés. Des vêtements amples, des bijoux et des cheveux longs peuvent être agrippés par les pièces en mouvement. N'utilisez jamais ce tracteur si vous êtes pieds nus ou si vous portez des sandales.
6. Ne faites jamais déborder le réservoir d'essence. Laissez un espace d'environ 13 mm (1/2 po) sous le bord inférieur du goulot de remplissage pour permettre l'expansion de l'essence.
7. Remettez le bouchon du réservoir d'essence et serrez solidement.
8. N'utilisez que des accessoires et des équipements annexes homologués par le fabricant du tracteur. Veuillez lire, comprendre et suivre toutes les instructions qui accompagnent l'accessoire ou l'équipement annexe.

UTILISATION

1. Les statistiques révèlent que les conducteurs de plus de 65 ans sont impliqués dans un grand nombre d'accidents mettant en cause des tracteurs. Ces conducteurs devraient donc évaluer sérieusement leur aptitude à utiliser ce tracteur en toute sécurité pour se protéger, ainsi que les autres, de graves blessures.
2. Désengagez les lames et déplacez le levier de contrôle complètement vers l'extérieur pour serrer le frein de stationnement avant de tenter de démarrer le moteur.
3. N'approchez pas vos mains et vos pieds des pièces en rotation et ne les passez jamais sous le plateau de coupe. Un contact avec les lames risque d'amputer les mains et les pieds.
4. Faites attention aux trous, aux ornières, aux pierres ou aux objets dissimulés dans l'herbe. Un terrain inégal peut faire retourner le tracteur. Des herbes hautes peuvent dissimuler des obstacles.
5. Prévoyez votre trajet de tonte pour éviter de projeter l'herbe vers les rues, les trottoirs, les assistants, etc. Évitez d'éjecter l'herbe en direction d'un mur ou d'un obstacle. De cette façon, les débris éventuels ne risquent pas de ricocher en direction de l'opérateur.
6. Vérifiez les dégagements verticaux avant de passer sous des branches basses, des fils électriques, des ouvertures, là où le conducteur risque d'être frappé et projeté hors du tracteur et de se blesser grièvement.

CONSIGNES DE SÉCURITÉ

7. Ne laissez jamais un tracteur en marche sans surveillance. Attendez toujours que les lames s'immobilisent, déplacez le levier de contrôle en position de stationnement, complètement vers l'extérieur, coupez le moteur et retirez la clé avant de descendre.
8. Débrayez la lame, déplacez les leviers de contrôle de complètement vers l'extérieur pour enclencher le frein à main, coupez le moteur et attendez l'immobilisation complète de la lame avant d'ouvrir le couvercle du bac de ramassage, de retirer celui-ci, de vider l'herbe, de déboucher la goulotte, de retirer les débris, ou pour effectuer tout autre réglage.
9. Votre tracteur est conçu pour couper du gazon résidentiel normal n'excédant pas une hauteur de plus de 25 cm (10 po). Ne tentez pas de tondre de l'herbe exceptionnellement longue et sèche (par exemple, des pâturages) ou des amas de feuilles mortes. De la pelouse sèche ou de des feuilles mortes peuvent entrer en contact avec l'échappement du moteur ou s'accumuler sur la plate-forme du tracteur occasionnant ainsi un risque d'incendie.
10. Reculez lentement. Regardez derrière vous et au sol avant et pendant la marche arrière pour vous assurer qu'il n'y a aucun obstacle.
11. Ne transportez jamais de passagers.
12. Restez à au moins 3 m (10 pi) des dénivellations, des fossés, des talus ou du bord de l'eau. Le tracteur pourrait basculer soudainement si une roue se trouve au bord d'une falaise, d'un fossé ou si un bord s'affaisse.
13. La lame risque de contacter ou de projeter des objets en l'absence d'une goulotte d'éjection ou en présence d'un clapet endommagé.
14. Ne faites pas fonctionner le tracteur sans son déflecteur de goulotte ou son sac de ramassage installé dans son emplacement approprié.
15. Faites très attention en utilisant les sacs à herbe ou autres équipements annexes. Ils peuvent modifier la stabilité du tracteur. Suivez toujours les instructions du fabricant de l'accessoire.
16. Arrêtez les lames lorsque vous traversez des allées de gravier, des allées, des chemins ou des routes sans y couper l'herbe.
17. Faites attention à la circulation en bordure des routes ou en les traversant. Ce tracteur n'est pas destiné à être utilisé sur une voie publique.
18. Tondez uniquement à la lumière du jour ou sous un bon éclairage artificiel.
19. N'utilisez pas le tracteur après avoir consommé de la drogue ou l'alcool.
20. Ralentissez avant de tourner. Manœuvrez doucement le tracteur. Évitez le fonctionnement erratique et une vitesse excessive.
21. Le silencieux et le moteur deviennent très chauds et peuvent causer de graves brûlures. Ne les touchez pas. Laissez le tracteur refroidir pendant cinq minutes avant de procéder à tout entretien.
22. Ne faites jamais fonctionner un moteur à l'intérieur ou dans un endroit mal aéré. L'échappement du moteur produit du monoxyde de carbone, un gaz inodore et mortel.

À PROPOS DES ENFANTS

1. De tragiques accidents peuvent survenir si l'opérateur ne porte pas attention à la présence d'enfants. Les enfants sont souvent attirés par le tracteur et les activités liées à la tonte. Ils n'en comprennent pas les dangers. Ne tenez jamais pour acquis que les enfants demeurent au même endroit où vous les avez entrevus la dernière fois.
2. Tenez les passants, les enfants et les animaux domestiques à l'écart de la zone de travail et placez-les sous la surveillance d'un adulte autre que l'opérateur de l'appareil. Arrêtez le tracteur si quelqu'un pénètre dans la zone de travail.
3. Ne transportez jamais d'enfants, même si les lames ne tournent pas. Ils pourraient tomber et être grièvement blessés ou gêner la manœuvre sécuritaire du tracteur. Les enfants qui ont fait des tours dans le passé pourraient arriver soudainement dans la zone de tonte et être renversés par le tracteur.
4. Soyez vigilant et arrêtez le tracteur si un enfant ou un passant pénètre dans la zone de travail.
5. Pour éviter des accidents en reculant, regardez toujours derrière et au sol s'il y a des petits enfants.
6. Faites très attention en approchant des virages sans visibilité, entrées de porte, buissons, arbres et autres objets qui peuvent gêner votre visibilité d'un enfant qui pourrait débouler sur le chemin du tracteur.
7. Ne permettez jamais à des enfants de moins de 14 ans de se servir de ce tracteur. Des enfants de 14 ans et plus doivent lire et comprendre le mode d'emploi de ce tracteur et les consignes de sécurité. Ils doivent être formés et supervisés par un adulte.
8. Ne laissez aucun enfant faire un tour en tracteur. Le tracteur n'est pas un jouet ou un kart. Avertissez vos enfants que le tracteur peut être dangereux et qu'ils doivent rester à l'écart à tout moment.
9. Tenez les enfants à l'écart des moteurs chauds ou en fonctionnement. Un silencieux très chaud peut infliger des brûlures.
10. Retirez la clé de contact quand le tracteur n'est pas surveillé pour empêcher son utilisation non autorisée. Assurez-vous que la clé est inaccessible par des enfants.

FONCTIONNEMENT SUR PENTE

1. Les pentes sont l'un des principaux facteurs qui contribuent à la perte de contrôle et aux accidents liés aux renversements qui peuvent entraîner des blessures graves et même causer la mort. Tout travail sur des pentes exige des précautions supplémentaires. Si vous ne pouvez pas reculer sur la pente ou si vous ne vous sentez pas à l'aise de la faire, n'y passez pas la tondeuse.
2. Pour votre sécurité, mesurez l'inclinaison avant d'utiliser le tracteur sur une pente. Utilisez l'inclinomètre fourni dans le présent manuel pour mesurer la déclivité du terrain avant d'utiliser cet appareil dans une zone en pente ou montagneuse. Des applications de téléphone intelligent peuvent également être utilisées pour mesurer les pentes. Si la pente est supérieure à 15° (25 %) comme l'indique l'inclinomètre ou l'appareil de mesure de l'inclinaison, n'utilisez pas ce tracteur dans ce secteur, car des blessures graves pourraient s'en suivre.

CONSIGNES DE SÉCURITÉ

3. Ne tondez pas sur des pentes supérieures à 15° (25 %).
4. Ne tondez pas en montant ou en descendant des pentes; tondez seulement des pentes inférieures à 15° (25 %). Utilisez des vitesses basses et évitez les virages brusques.
5. Ne tondez pas de l'herbe mouillée. Une traction réduite peut provoquer un glissement ou une perte de contrôle.
6. N'utilisez pas le tracteur dans des conditions où la traction, la direction ou la stabilité sont compromises. Les pneus peuvent glisser même si les roues sont arrêtées.
7. Évitez de mettre en marche ou d'arrêter le tracteur sur une pente. Ne changez pas brusquement de vitesse ou de direction. Faites des virages lents et progressifs.
8. Faites très attention lorsque vous utilisez le tracteur comportant un sac à herbe ou d'autre accessoire. Ils peuvent avoir une incidence sur la stabilité de l'appareil. N'utilisez pas de sac à herbe sur des pentes supérieures à 10° (17 %).
9. N'essayez pas de stabiliser le tracteur en mettant votre pied au sol.
10. Gardez tous les mouvements lents et progressifs lorsque vous trouvez sur les pentes. Ne changez pas brusquement de vitesse ou de direction. Une accélération ou une décélération brusque pourrait faire lever l'avant du tracteur et causer un rapide renversement arrière, causant ainsi des blessures graves voire la mort.

INCLINOMÈTRE (DERNIÈRE PAGE)

AVERTISSEMENT

Le risque de glisser et de renverser l'appareil dans une pente est beaucoup plus élevé que sur terrain plat et les blessures qui en résultent peuvent être très graves, voire mortelles. Vous devez donc redoubler de vigilance même dans les pentes douces. Ne vous engagez pas sur une pente si vous ne vous sentez pas à l'aise. Ne tondez pas sur des pentes avec une inclinaison supérieure à 15° (25 %). Travaillez perpendiculairement à la pente, et non dans le sens de la pente.

PAR MESURE DE SÉCURITÉ, MESUREZ TOUTE PENTE À TONDRER AVEC L'INCLINOMÈTRE À LA DERNIÈRE PAGE DE CE MANUEL POUR ÉTABLIR SI LA PENTE EST TROP RAIDE !

Procédez comme suit pour vérifier l'inclinaison :

1. Allez à la dernière page et pliez-la en suivant la ligne pointillée.
2. Cherchez un objet vertical sur la pente ou à l'arrière (un poteau, un bâtiment, une clôture, un arbre, etc.).
3. Alignez un côté de l'inclinomètre avec cet objet.
4. Réglez l'inclinomètre vers le haut ou vers le bas jusqu'à ce que le coin gauche touche la pente.
5. S'il y a un écart sous l'inclinomètre, la pente est trop raide pour une utilisation sans danger.

FEU ET CARBURANT

1. Pour éviter toute blessure corporelle ou tout dommage matériel, faites très attention en manipulant l'essence. Il s'agit d'un produit extrêmement inflammable et les émanations risquent d'exploser. Vous pouvez être grièvement blessé si des éclaboussures d'essence sur votre peau ou vos vêtements venaient à s'enflammer. Lavez la peau touchée et changez immédiatement de vêtements.

2. Éteignez tous les cigares, toutes les cigarettes, pipes et autres sources d'inflammation.
3. Utilisez uniquement un bidon d'essence homologué.
4. N'enlevez jamais le bouchon d'essence et n'ajoutez pas d'essence pendant que le moteur tourne ou s'il est chaud. Laissez refroidir le moteur au moins cinq minutes avant de faire le plein.
5. Ne faites jamais le plein à l'intérieur.
6. Ne remisez jamais le tracteur ou un bidon d'essence près d'une flamme nue, d'une étincelle ou d'une veilleuse comme celle d'une fournaise, d'un chauffe-eau, d'une sècheuse, etc.
7. En cas de débordement, essuyez toute trace d'essence du moteur et du matériel. Nettoyez les débordements d'essence ou d'huile et retirez tous débris imbibés d'essence. Déplacez le tracteur à un autre endroit. Attendez cinq minutes avant de démarrer le moteur.
8. Pour réduire les risques d'incendie, débarrassez le tracteur des accumulations d'herbes, de feuilles et d'autres débris. Suivez les instructions « Entretien du tracteur après l'opération » dans la section Entretien et Maintenance.
9. Votre tracteur est conçu pour couper du gazon résidentiel normal n'excédant pas une hauteur de plus de 25 cm (10 po). Ne tentez pas de couper la pelouse exceptionnellement longue et sèche (par exemple, des pâturages) ou des amas de feuilles mortes. De la pelouse sèche ou des feuilles mortes peuvent entrer en contact avec l'échappement du moteur ou s'accumuler sur la plate-forme du tracteur occasionnant ainsi un risque d'incendie.
10. Ne faites jamais déborder le réservoir d'essence. Laissez un espace d'environ 13 mm (1/2 po) sous le bord inférieur du goulot de remplissage pour permettre l'expansion de l'essence.
11. Remettez le bouchon du réservoir d'essence et serrez solidement. Ne pas utiliser sans bouchon d'essence.
12. Laissez le tracteur refroidir au moins cinq minutes avant de la remiser.
13. Ne faites jamais le plein des bidons dans un véhicule, ni à l'arrière d'un camion, ni sur une remorque dont le plancher est recouvert d'un revêtement de plastique. Placez toujours les bidons sur le sol, à l'écart de votre véhicule, avant de les remplir.
14. Lorsque c'est possible, déchargez l'équipement motorisé du camion ou de la remorque et faites le plein au sol. Si cela s'avère impossible, faites le plein de cet équipement sur la remorque à partir d'un bidon portatif plutôt que directement de la pompe à essence.
15. Maintenez en tout temps le gicleur en contact avec le bord du réservoir d'essence ou avec l'ouverture du bidon jusqu'à ce que le plein soit terminé. N'utilisez pas le gicleur muni d'un dispositif de blocage en position ouverte.

TRANSPORT

1. Utilisez des rampes à largeur intégrale correctement sécurisées pour charger et décharger un tracteur en vue de son transport.

CONSIGNES DE SÉCURITÉ

2. Faites très attention en chargeant le tracteur dans une remorque ou un camion, ou en la déchargeant. Il ne faut pas conduire le tracteur sur un plan incliné pour le charger ou le décharger, car il peut basculer et causer des blessures graves. Le tracteur doit être poussé manuellement sur des rampes pour le charger ou le décharger correctement.
3. Soulevez le plateau de coupe à la position la plus haute pour assurer le déchargement du chargement.

REMORQUAGE

1. Ne remorquez jamais une charge supérieure à 113 kg (250 po) et un poids de fourche d'attelage supérieur à 22 kg (50 po).
2. N'accrochez pas l'équipement remorqué ailleurs qu'au point d'attelage.
3. Ne transportez jamais d'enfants ou d'autres personnes dans ou sur un équipement remorqué.
4. N'effectuez jamais de remorquage sur des pentes supérieures à 5° (9 %). Sur les pentes, le poids de l'équipement remorqué peut entraîner la perte de traction et la perte de contrôle ou l'incapacité d'arrêter.
5. Faites toujours preuve de la plus grande prudence lorsque vous tractez avec un tracteur capable d'effectuer des virages serrés (par exemple, un tracteur à rayon de braquage zéro). En tournant, faites de larges virages pour éviter la mise en portefeuille.
6. Avancez lentement et prévoyez une distance supplémentaire pour vous arrêter.

DÉPANNAGE

1. Maintenez l'appareil en bon état de fonctionnement. N'utilisez pas le tracteur avant d'avoir remplacé des pièces usées ou endommagées.
2. Pour éviter de graves blessures ou la mort, ne modifiez le moteur d'aucune façon. Modifier le réglage du régulateur peut provoquer l'emballement du moteur et le faire tourner à des vitesses dangereuses. Ne modifiez jamais le réglage en usine du régulateur. Ne modifiez pas le réglage du régulateur et ne laissez pas le moteur s'emballer. Le régulateur contrôle le régime de fonctionnement maximal sécuritaire du moteur.
3. Les lames du tracteur sont tranchantes. Enveloppez la lame avec un chiffon ou portez des gants. Faites très attention lors de leur entretien.
4. Les tracteurs équipés de pompes, de tuyaux, de moteurs hydrauliques ainsi que les systèmes d'injection diesel comportent des systèmes de fluide sous pression. Tout liquide qui s'échappe sous pression peut avoir une force suffisante pour pénétrer la peau et causer de graves blessures. Si du liquide est injecté dans la peau, consultez immédiatement un médecin. Gardez le corps et les mains à l'écart des trous d'épingle ou des buses qui éjectent du fluide sous haute pression. En cas de fuite, faites immédiatement réparer le tracteur par un revendeur agréé.
5. Avant de nettoyer, de réparer ou d'examiner la tondeuse, assurez-vous que la lame et toutes les pièces mobiles sont immobiles. Arrêtez le moteur, retirez la clé de contact, déconnectez les fils de la bougie et mettez-les à la terre pour éviter tout démarrage non désiré.

6. Assurez-vous que les lames s'arrêtent complètement en un maximum de cinq secondes après avoir désengagé le contrôle de la lame selon l'intervalle indiqué dans le Tableau d'entretien. Mesurez le temps d'arrêt avec un chronomètre. Si les lames ne s'arrêtent pas complètement en moins de cinq secondes, faites réparer votre tracteur chez un concessionnaire autorisé.
7. Vérifiez le bon fonctionnement du système de verrouillage de sécurité selon l'intervalle indiqué dans le Tableau d'entretien, comme décrit plus loin dans ce manuel. Si le système de verrouillage de sécurité ne fonctionne pas correctement, faites réparer votre tracteur chez un concessionnaire autorisé.
8. N'altérez jamais le système de verrouillage de sécurité ni d'autres dispositifs de sécurité. Vérifiez régulièrement leur bon fonctionnement.
9. Vérifiez le couple de la lame et du boulon de fixation du moteur conformément au Tableau d'entretien de ce manuel. Vérifiez aussi visuellement si les lames sont endommagées (p. ex., usure excessive, tordues ou fissurées). Remplacez-les uniquement par des lames authentiques du fabricant d'origine lames seulement.
10. L'emploi de pièces non conformes aux caractéristiques du matériel d'origine pourrait entraîner une performance inférieure et compromettre la sécurité.
11. Afin de vous assurer que l'équipement conserve une condition de travail sécuritaire, maintenez tous les écrous, boulons et vis bien serrés. Consultez le Tableau d'entretien du présent manuel pour obtenir de l'information sur les intervalles de maintenance.
12. Si vous heurtez un objet, arrêtez le moteur, débranchez le fil de la bougie et mettez-le à la terre contre le moteur. Examinez minutieusement le tracteur à la recherche de dommages. Réparez les dommages avant de remettre la tondeuse en marche et de l'utiliser.
13. Ne tentez jamais de faire des réglages ou des réparations lorsque le moteur tourne.
14. Les composants du sac à herbe et la goulotte d'éjection peuvent s'user et s'endommager; par conséquent, ils peuvent exposer les pièces mobiles ou projeter des objets. Vérifiez régulièrement les composants et remplacez-les immédiatement et uniquement avec des pièces de rechange authentiques du fabricant d'origine, pièces seulement.
15. Prenez soin des étiquettes de sécurité et remplacez-les au besoin.
16. Respectez les lois et règlements concernant l'élimination des déchets (essence, huile) pour protéger l'environnement.

AVIS RELATIF AUX ÉMISSIONS

Les moteurs certifiés conformes aux règlements de la Californie et de l'EPA fédérale relatifs à la pollution pour les petits équipements hors route SORE (Small Off Road Equipment) sont certifiés fonctionner à l'essence régulière sans plomb et peuvent comprendre les dispositifs antipollution suivants : Modification du moteur (EM) et convertisseur catalytique à trois voies (TWC) s'ils en sont équipés.

CONSIGNES DE SÉCURITÉ

Lorsque cela est nécessaire, les modèles sont équipés de canalisations de carburant à faible perméation et de réservoirs de carburant pour assurer le contrôle des émissions par évaporation. Les modèles californiens peuvent également inclure une cartouche de carbone. Veuillez communiquer avec le service à la clientèle pour obtenir de l'information sur la configuration du contrôle des émissions par évaporation pour votre modèle.

PARE-ÉTINCELLES

⚠ AVERTISSEMENT





Ce tracteur est doté d'un moteur à combustion interne et ne devrait pas être utilisée sur un terrain boisé ou gazonné en friche ou près d'un tel terrain à moins que le système d'échappement ne soit muni d'un pare-étincelles conforme aux lois locales ou étatiques en vigueur (le cas échéant).

Dans le cas de l'utilisation d'un pare-étincelles, l'opérateur du produit doit le maintenir en bon état de fonctionnement. Dans l'État de la Californie, l'application des énoncés ci-dessous est exigée en vertu de la Loi (article 4442 du code californien des ressources publiques - California Public Resources Code, section 4442). Il est possible que d'autres États aient des lois semblables. Les Lois fédérales sont en vigueur sur les terrains fédéraux.



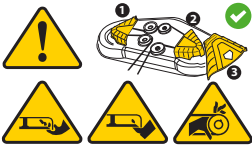



Un pare-étincelles pour le silencieux est en vente chez votre concessionnaire de moteurs agréé le plus près de chez vous ou communiquez par écrit avec le service des réparations au : BP 1386, KITCHENER, ON N2G 4J1.

SYMBOLES DE SÉCURITÉ

Ce tableau illustre et décrit les symboles de sécurité qui peuvent apparaître sur ce produit.

Symbole	Description
 <p>OPESymbol.com</p>	<p>AVERTISSEMENT – LIRE LE MANUEL DE L'OPÉRATEUR</p> <p>Assurez-vous de lire, comprendre et suivre toutes les règles de sécurité et les instructions contenues dans les manuels et sur le tracteur avant toute tentative d'utilisation de ce tracteur. Le non-respect de ces directives peut entraîner des blessures corporelles voire la mort. Conservez le présent manuel dans un endroit sûr pour consultation régulière et ultérieure. À l'aide d'un téléphone intelligent, numériser le code QR pour obtenir davantage de renseignements sur les avertissements figurant sur ce tracteur. Vous pouvez également consulter le www.OPESymbol.com pour en savoir plus.</p>
	<p>AVERTISSEMENT – ÉVITEZ LES BLESSURES CAUSÉES PAR DES PROJECTILES</p> <p>Assurez-vous que toute personne vous portant un coup de main demeure à une distance minimale de 23 m (75 pi) pendant l'opération. Retirez toutes les pierres, tous les bâtons, les fils, les os, les jouets et les autres objets qui pourraient être avalés et projetés par les lames. Ne faites pas fonctionner le tracteur sans son clapet d'éjection ou son sac de ramassage installé dans son emplacement approprié.</p>
	<p>AVERTISSEMENT – ÉVITEZ DE HAPPER UN ENFANT OU TOUTE BLESSURE CAUSÉE PAR DES LAMES</p> <p>Pour éviter des accidents en reculant, regardez toujours derrière et au sol pour vous assurer qu'il n'y a aucun enfant. Ne transportez jamais d'enfants, même si les lames ne tournent pas. Tenez les enfants à l'écart de la zone de travail et placez-les sous la surveillance d'un adulte autre que l'opérateur de l'appareil. Arrêtez le tracteur si quelqu'un pénètre dans la zone de travail.</p>
	<p>AVERTISSEMENT – ÉVITEZ LES RISQUES DE BLESSURES CAUSÉES PAR DES RENVÈREMENTS !</p> <p>N'utilisez pas cet appareil sur une pente de plus de 15° (25 %). Ne tondez pas en montant ou en descendant des pentes; tondez seulement des pentes inférieures à 15° (25 %). Utilisez des vitesses faibles et évitez d'effectuer des virages brusques sur des pentes. Restez à au moins 3 m (10 pi) des dénivellations, des fossés, des talus ou du bord de l'eau.</p>

CONSIGNES DE SÉCURITÉ

Symbole	Description
	<p>AVERTISSEMENT – ÉVITEZ LES INCENDIES</p> <p>Votre tracteur est conçu pour couper du gazon résidentiel normal n'excédant pas une hauteur de plus de 25 cm (10 po). Ne tentez pas de couper la pelouse exceptionnellement longue et sèche (par exemple, des pâturages) ou des amas de feuilles mortes. Laissez le tracteur refroidir au moins cinq minutes avant de faire le plein de carburant ou de le ranger dans un garage fermé ou une remise.</p>
	<p>AVERTISSEMENT – ÉVITEZ LES AMPUTATIONS</p> <p>N'approchez pas les mains et les pieds à proximité ou sous le plateau de coupe. Un contact avec les lames risque d'amputer les mains et les pieds.</p>
	<p>AVERTISSEMENT – ÉVITEZ LES AMPUTATIONS</p> <p>N'approchez pas vos mains et vos pieds des pièces en rotation et ne les passez jamais sous le plateau de coupe. Un contact avec les lames risque d'amputer les mains et les pieds. Assurez-vous que tous les dispositifs de sécurité (protecteurs, boucliers, commutateurs, etc.) sont en place et fonctionnent correctement. Le contact de la courroie ou de la lame peut écraser ou blesser des parties du corps.</p>
	<p>AVERTISSEMENT – ÉVITEZ L'ÉCRASEMENT OU LES PINCEMENTS</p> <p>Assurez-vous de lire, comprendre et suivre toutes les règles de sécurité et les instructions contenues dans les manuels et sur le tracteur avant toute tentative de réparation de ce tracteur. Pour les modèles avec élévateurs à pied uniquement, le dispositif de levage du plateau de coupe est assisté par un ressort et il est sous tension. Utilisez toujours l'outil multifonctions fourni pour fixer le système de levage en position verrouillée avant de retirer la tondeuse.</p>
	<p>AVERTISSEMENT – ENLEVER LA CLÉ</p> <p>Attendez toujours que les lames s'immobilisent, placez le levier de contrôle vers l'extérieur, en position de stationnement, coupez le moteur et retirez la clé avant de descendre. Si vous laissez le tracteur sans surveillance, retirez toujours la clé pour empêcher toute utilisation non autorisée par des enfants ou d'autres personnes.</p>
	<p>AVERTISSEMENT – ÉVITEZ LES BLESSURES LIÉES AU REMORQUAGE</p> <p>Ne remorquez jamais une charge supérieure à 113 kg (250 lb) et un poids de fourche d'attelage supérieur à 22 kg (50 lb). Ne transportez jamais d'enfants ou d'autres personnes dans ou sur un équipement remorqué. N'effectuez jamais de remorquage sur des pentes supérieures à 5° (9 %). Sur les pentes, le poids de l'équipement remorqué peut entraîner la perte de traction, la perte de contrôle ou l'incapacité d'arrêter. Avancez lentement et prévoyez une distance supplémentaire pour vous arrêter.</p>

⚠ AVERTISSEMENT

C'est votre responsabilité—Limitez l'utilisation de cet appareil motorisé à des personnes qui peuvent lire, assimiler et respecter les avertissements et les instructions qui figurent dans le présent manuel et qui sont apposés sur l'appareil. - CONSERVEZ CES INSTRUCTIONS !

ASSEMBLAGE

REMARQUE : Ce manuel de l'opérateur couvre plusieurs modèles. Les fonctionnalités du tracteur peuvent varier selon le modèle. Les fonctionnalités trouvées dans le présent manuel ne s'appliquent pas à tous les modèles de tracteur. Le modèle de tracteur représenté peut être différent du vôtre.

REMARQUE : Toutes les références trouvées dans le présent manuel aux côtés gauche ou droit et à l'avant ou à l'arrière du tracteur sont uniquement à partir du poste de l'opérateur. Les exceptions, le cas échéant, seront précisées.

Préparation

DÉPLACER MANUELLEMENT LE TRACTEUR

1. Pour engager les goupilles de dérivation de transmission, tirez la goupille vers l'arrière (a), puis insérez-la dans la section inférieure de la fente en forme de « J ». Répétez cette étape du côté opposé. Consultez la Figure 1.

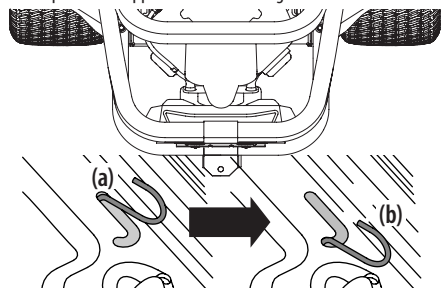


Figure 1

2. Après avoir déplacé le tracteur, inversez la première étape pour dégager les goupilles de dérivation.
3. Retirez l'adaptateur de la buse du système de lavage du plateau de coupe (si équipé) du sac manuel et rangez-le pour un usage ultérieur.

INSTALLEZ L'ATTELAGE (LE CAS ÉCHÉANT)

1. Localisez l'attelage (a) et installez-le à l'arrière du châssis à l'aide des deux vis à bride hexagonales (b) fournies. Consultez la Figure 2.

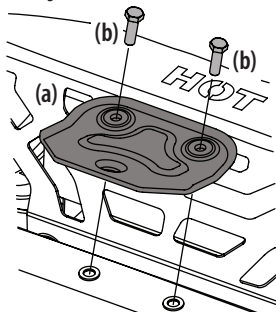


Figure 2

REMARQUE : L'attelage et les vis à bride hexagonales constitueront la trousse de matériel.

REPOSITIONNEZ LE CERCEAU SUPÉRIEUR (LE CAS ÉCHÉANT)

Le cerceau supérieur peut être positionné vers le bas à des fins d'expédition :

1. Retirez les deux vis à bride hexagonales (a) partiellement installées sur le châssis. Consultez la Figure 3.

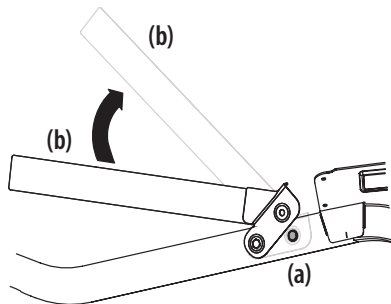


Figure 3

2. Faites pivoter le cerceau supérieur (b) pour le mettre en position appropriée. Consultez la Figure 3.
3. Fixez le cerceau en place à l'aide des vis à bride hexagonales que vous avez retirées lors de l'étape 1. Serrez les vis à bride hexagonales entre 18 et 27 N·m (159 et 239 po·lb).

Installez le siège de l'opérateur.

RÉGLAGE DU BOUTON OU DU LEVIER

1. Coupez toutes les sangles retenant l'ensemble du siège au tracteur. Retirez tout le matériel d'emballage.

REMARQUE : Veillez à ne pas couper le faisceau de fils du siège.

2. Installez le siège sur le plateau du siège (a) à l'aide du matériel fourni.
 - a. Pour le bouton d'ajustement du siège : insérez les boulons (b) dans les trous arrière et la rondelle de blocage (c) et les boutons (d) dans les trous avant. Serrez solidement. Consultez la Figure 4.

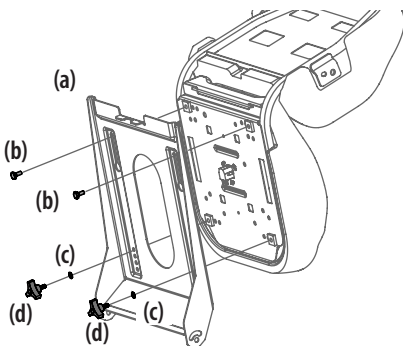


Figure 4

ASSEMBLAGE

- b. Pour le levier d'ajustement du siège : utilisez les écrous de blocage à bride (a) et les rondelles plates (b). Consultez la Figure 5.

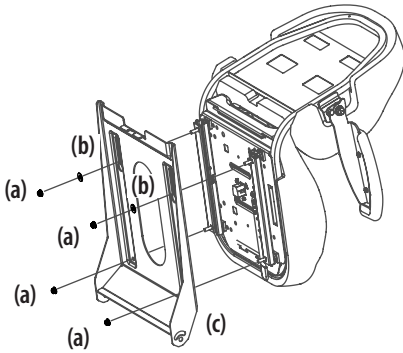


Figure 5

3. Si nécessaire, connectez en toute sécurité le faisceau de fils du commutateur du siège (a) au commutateur du siège (b). Consultez la Figure 6. Éloignez en toute sécurité l'excédent de fil des points de pincement avant de continuer.

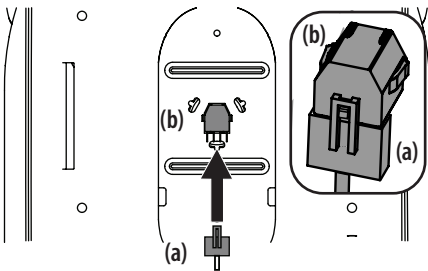


Figure 6

REMARQUE : Le tracteur ne fonctionnera pas si le faisceau de fils du commutateur du siège n'est pas connecté.

Positionnez les leviers de commande de transmission des barres de conduite

Les leviers de commande de transmission des barres de conduite peuvent être ajustés vers le haut, vers le bas, vers l'avant et vers l'arrière pour le confort de l'opérateur. Trois positions de hauteur sont disponibles. Il est également possible de faire pivoter les leviers vers l'avant ou vers l'arrière à l'aide du bouton.

Pour régler la hauteur du levier de commande de transmission des barres de conduite, procédez comme suit :

1. Retirez les deux vis de carrosserie (a) et les deux écrous de blocage à bride (b) qui fixent le levier de commande de transmission des barres de conduite (c) au dispositif de réglage de la poignée supérieure (d). Consultez la Figure 7.

REMARQUE : Vous pouvez utiliser l'outil multiple (le cas échéant) pour effectuer ce réglage.

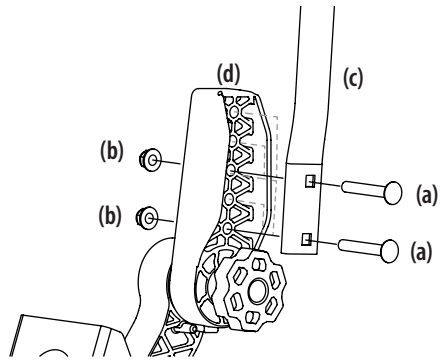


Figure 7

2. Déplacez le levier de commande de transmission des barres de conduite vers l'une des trois hauteurs disponibles et fixez-le à l'aide des vis de carrosserie et des écrous de blocage à bride. Consultez la Figure 7.

Pour régler les leviers de commande de transmission des barres de conduite vers l'avant ou vers l'arrière, procédez comme suit :

1. Tournez le bouton (a) en sens inverse des aiguilles d'une montre pour le desserrer (a). Consultez la Figure 8.
2. Soulevez et faites pivoter le levier de commande de transmission des barres de conduite dans la position souhaitée.
3. Tournez le bouton dans le sens des aiguilles d'une montre pour sécuriser le levier de commande de transmission des barres de conduite en position. Consultez la Figure 8.
4. Si les barres de conduite ne sont pas alignées après ce réglage, desserrez les écrous (b) des barres, alignez les barres de conduite et resserrez les écrous. Ainsi, les barres de conduite seront alignées lorsque vous ajusterez leur position dans le futur. Consultez la Figure 7.

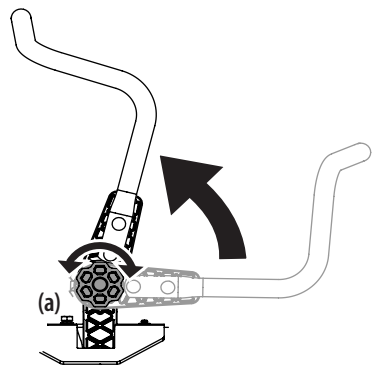


Figure 8

ASSEMBLAGE

Déflexeur de la goulotte d'éjection du plateau inférieur

⚠ AVERTISSEMENT

Ne jamais faire fonctionner le plateau de coupe sans avoir installé le déflexeur de la goulotte d'éjection en position abaissée.

INSTALLEZ LE SUPPORT DE GOULOTTE (LE CAS ÉCHÉANT)

1. Retirez les clés attachées au support de la goulotte d'éjection à l'aide d'une attache mono-usage.
2. Retirez l'écrou de blocage à bride et la vis à tête hexagonale du plateau.
3. Placez le déflexeur de la goulotte d'éjection sur le plateau, veillez à insérer les languettes du déflexeur de la goulotte d'éjection dans les orifices du plateau. Consultez la Figure 9.

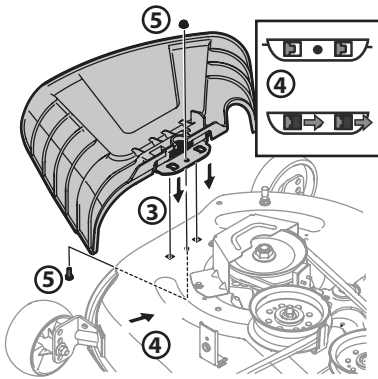


Figure 9

4. Faites glisser le déflexeur de la goulotte d'éjection vers l'arrière du tracteur jusqu'à ce que le trou de boulon du déflexeur de la goulotte d'éjection soit dans l'alignement du trou du plateau. Consultez la Figure 9.
5. Fixez le déflexeur de la goulotte d'éjection à l'aide de l'écrou de blocage à bride et de la vis à tête hexagonale que vous avez retirés lors de l'étape deux. Serrez entre 11,5 et 14 N·m (102 et 124 po·lb). Passez directement au chapitre « Réglage des roulettes de terrage avant ».

RETIREZ LE SUPPORT D'ARRÊT (LE CAS ÉCHÉANT)

1. La goulotte d'éjection est livrée attachée et avec un support d'arrêt la maintenant en position verticale. Vous devez retirer les supports d'arrêt avant d'utiliser le tracteur.
2. Soulevez le déflexeur de la goulotte d'éjection afin de pouvoir dégager et retirer le support d'arrêt. Abaissez le déflexeur de la goulotte d'éjection et jetez le support d'arrêt. Consultez la Figure 10.

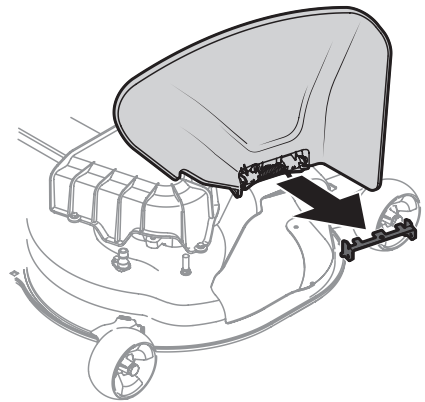


Figure 10

Réglage des roulettes de terrage avant (le cas échéant)

REMARQUE : Les roues du plateau permettent d'éviter d'arracher l'herbe, mais elles ne sont pas conçues pour supporter le poids du plateau de coupe.

1. Déplacez le tracteur vers une surface plane, de préférence un trottoir.
 2. Vérifiez la pression des pneus, puis ajustez-la si nécessaire. Les pressions de gonflage sont indiquées sur le flanc des pneus.
 3. Assurez-vous que le plateau est à niveau latéralement et correctement incliné. Consultez le chapitre « Entretien et Maintenance » où vous trouverez des renseignements pour le nivellement du plateau ainsi que des instructions.
 4. Placez le levier ou le bouton de levage du plateau dans la position de hauteur de coupe souhaitée.
 5. Vérifiez que les roues du plateau sont en contact avec le sol ou si le dégagement est important.
- REMARQUE :** Les roues du plateau doivent avoir un dégagement de 6,35 à 12,7 mm (1/4 à 1/2 po) au dessus du sol.
6. Retirez l'écrou de blocage (a) la roulette de terrage (b) et la vis à épaulement (c) du plateau. Consultez la Figure 11.

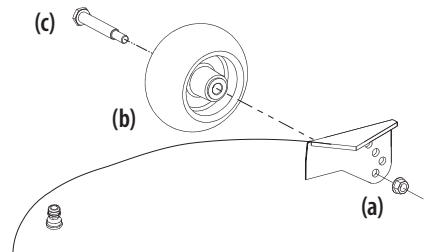


Figure 11

ASSEMBLAGE

7. Insérez la vis à épaulement dans l'un des quatre trous d'indexage du support de la roulette de terrage avant. Permettre un dégagement de 6,35 à 12,7 mm (1/4-1/2 po) entre le sol et la roulette de terrage.
8. Marquez le trou d'indexage utilisé sur la roulette précédemment ajustée. Refaites le réglage du côté opposé pour aligner les deux roulettes de terrage.

REMARQUE : Consultez le chapitre « Réglages » de ce manuel pour en savoir plus.

Renseignements sur la batterie

⚠ AVERTISSEMENT

CALIFORNIE PROPOSITION 65 AVERTISSEMENT : Les plots, bornes et accessoires connexes de batterie contiennent du plomb et des composés de plomb, des produits chimiques reconnus par l'État de la Californie comme cancérigènes mutagènes. Lavez-vous les mains après manipulation.

⚠ AVERTISSEMENT

En cas d'éclaboussure accidentelle d'acide de la batterie dans les yeux ou sur la peau, rincez abondamment la partie atteinte à l'eau claire. Consultez immédiatement un médecin.

En cas de déversement d'acide sur les vêtements, diluez-le d'abord avec de l'eau propre, puis neutralisez-le avec une solution d'ammoniaque et d'eau ou de bicarbonate de soude et d'eau.

NE JAMAIS connecter les pinces du chargeur à la batterie (ni les déconnecter) lorsque le chargeur est sous tension, car cela pourrait provoquer des étincelles.

Conservez la batterie à l'écart de toute source d'inflammation (cigarettes, allumettes, briquets). Le gaz généré pendant le chargement peut être combustible. Par précaution supplémentaire, chargez uniquement la batterie dans un endroit bien aéré.

Protégez toujours vos yeux, votre peau et vos vêtements lorsque vous travaillez à proximité des batteries.

Les batteries contiennent de l'acide sulfurique et peuvent émettre des gaz explosifs. Faites preuve de la plus extrême prudence lorsque vous manipulez les batteries. Tenez les batteries hors de la portée des enfants.

Une mauvaise manipulation de la batterie pourrait causer un incendie ou une brûlure chimique. N'ouvrez pas, ne démontez pas, ne surchauffez pas et ne brûlez pas la batterie.

⚠ AVERTISSEMENT

Lorsque vous branchez les câbles de la batterie, commencez toujours par connecter le fil POSITIF (rouge) à sa borne, puis le fil NÉGATIF (noir).

REMARQUE : La borne positive de la batterie est marquée Pos. (+). La borne négative de la batterie est marquée Neg. (-).

BRANCHEMENT DES CÂBLES DE LA BATTERIE

⚠ AVERTISSEMENT

Connectez toujours le câble positif à la batterie avant le câble négatif. Cela évitera des étincelles et de possibles blessures dues à un court-circuit provoqué par le contact de la carrosserie du tracteur avec les outils utilisés pour brancher les câbles.

Pour des raisons d'expédition, l'usine peut laisser les deux câbles de batterie déconnectés des bornes. Pour brancher les câbles de la batterie, procédez comme suit :

REMARQUE : Le faisceau électrique doit être placé au-dessus de la barre de retenue de la batterie. Autrement, il risque d'être endommagé. Voir Figure 15 à la page 80.

Modèles dotés d'une batterie au plomb

1. Le cas échéant, retirez le cache en plastique de la borne positive de la batterie. Branchez le connecteur rouge sur la borne positive de la batterie (+) à l'aide du boulon (a) et de l'écrou hexagonal (b). Consultez la Figure 12.
2. Le cas échéant, retirez le cache en plastique de la borne négative de la batterie, puis branchez le câble noir la borne négative de la batterie (-) à l'aide du boulon (a) et de l'écrou hexagonal (b). Consultez la Figure 12.
3. Déposez la protection en caoutchouc rouge (c) sur la borne positive de la batterie pour la protéger contre la corrosion. Consultez la Figure 12.

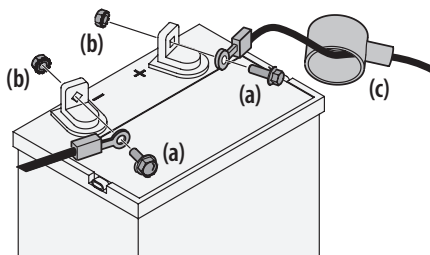


Figure 12

REMARQUE : Si la batterie est mise en service après la date indiquée sur le dessus ou le côté de la batterie, rechargez-la comme indiqué dans le chapitre « Chargement de la batterie » avant d'utiliser le tracteur.

Modèles dotés d'une batterie AGM

1. Retirez les boulons hexagonaux (a) et les écrous carrés (b) situés à l'extrémité du faisceau de fils électrique ou dans le sac avec ce manuel. Gardez la quincaillerie pour utilisation ultérieure. Voir Figure 13.

ASSEMBLAGE

2. Enlevez le couvercle en plastique (c), si équipé, de la borne positive (d) de la batterie et attachez le câble rouge (e) à la borne positive (b) de la batterie avec le boulon (a) et l'écrou carré (b) retirés à l'étape 1. Utiliser un tournevis Philips. Voir Figure 13.
3. Enlevez le couvercle en plastique (c), si équipé, de la borne négative de la batterie (f) et attachez le câble noir (g) à la borne négative de la batterie (f) avec le boulon (a) et l'écrou carré (b). Voir Figure 13.
4. Placez la gaine en caoutchouc rouge au-dessus de la borne positive de la batterie pour aider à la protéger contre la corrosion. Voir encadré de la Figure 13.

REMARQUE : Si la batterie est mise en service après la date indiquée sur le dessus ou le côté de la batterie, rechargez-la comme indiqué dans le chapitre « Chargement de la batterie » avant d'utiliser le tracteur.

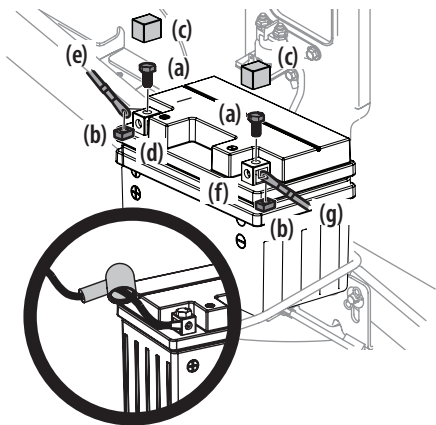


Figure 13

ENTRETIEN DE LA BATTERIE

- Certaines batteries sont remplies d'acide de batterie, puis scellées à l'usine. Cependant, même une batterie « sans entretien » nécessite un certain entretien pour assurer tout son cycle de vie.
- Pulvérisez un scellant pour borne de batterie sur les bornes et le fil dénudé ou enduisez-les d'une fine couche de graisse ou de vaseline pour les protéger contre la corrosion.
- Conservez toujours les câbles et les bornes de batterie propres et sans corrosion.
- Certains modèles sont équipés d'une batterie à électrolyte liquide. Manipulez la batterie avec soin et ne la renversez pas pour empêcher une fuite de liquide.

STOCKAGE DE LA BATTERIE

- Lors du remisage du tracteur pendant des périodes prolongées, déconnectez le câble négatif de la batterie. Il n'est pas nécessaire d'enlever la batterie.

- Toutes les batteries se déchargent pendant le remisage du tracteur. Maintenez l'extérieur de la batterie propre, en particulier le dessus. Une batterie sale se déchargera plus rapidement.
- Veillez à charger la batterie complètement avant de la stocker. Une batterie déchargée peut geler plus rapidement qu'une batterie chargée. Une batterie complètement chargée pourra être stockée plus longtemps à des températures froides.
- Rechargez la batterie avant de la remettre en service. Même si le moteur démarre, son système de charge pourrait ne pas recharger complètement la batterie.

DÉPOSE DE LA BATTERIE

⚠ AVERTISSEMENT

Les plots, bornes et accessoires connexes de batterie contiennent du plomb et des composés de plomb. Lavez-vous les mains après manipulation.

La batterie est située sous le châssis du siège. Pour enlever la batterie :

Modèles dotés d'une batterie au plomb

1. Retirez la vis d'assemblage à tête hexagonale et l'écrou à bride fixant le câble négatif noir au plot négatif de la batterie (marqué NEG (-)). Éloignez le câble du plot négatif de la batterie.
2. Retirez la vis d'assemblage à tête hexagonale et l'écrou à bride fixant le câble positif rouge au plot positif de la batterie (marqué POS (+)).
3. Retirez la vis à bride hexagonale (a) fixant le support de fixation de la batterie (b) au châssis. Relevez ensuite le support de fixation de la batterie (b) pour dégager la batterie. Consultez la Figure 14.

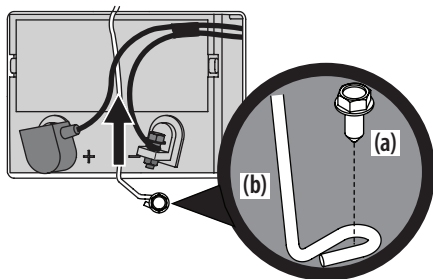


Figure 14

4. Retirez la batterie du tracteur en la soulevant prudemment.
5. Reposez la batterie en répétant les étapes précédentes dans l'ordre inverse.

ASSEMBLAGE

Modèles dotés d'une batterie AGM

1. Retirez le boulon et l'écrou qui fixent le câble négatif (noir) à la borne négative (indiquée NÉG (-)). Placez le câble loin de la borne négative.
2. Retirez le boulon et l'écrou qui fixent le câble positif (rouge) à la borne positive de la batterie (indiquée POS (+)).
3. Retirez le boulon hexagonal (a) qui fixe la tige de retenue de la batterie (b) au châssis. Faites pivoter la tige de retenue de la batterie (b) vers le haut et retirez la batterie. Voir Figure 15.

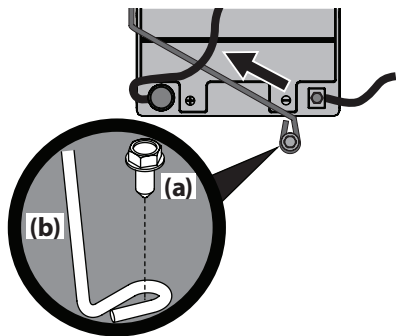


Figure 15

4. Enlevez la batterie avec précaution.
5. Pour installer la batterie, suivez les étapes ci-dessus dans l'ordre inverse.

CHARGEMENT DE LA BATTERIE

Si l'appareil a été remis en service pendant une longue période, vérifiez la batterie et rechargez-la au besoin.

Modèles dotés d'une batterie au plomb

- Si le voltmètre, ou le testeur de charge, indique 12,4 V (DC) ou moins aux bornes de batterie, la batterie doit être rechargée.
- Vous devez utiliser un chargeur pour batterie au plomb. Le niveau de charge recommandé est de 4 A / 14,7 V.
- Si le chargeur est automatique, chargez la batterie jusqu'à ce que l'indicateur du chargeur indique que la batterie est complètement chargée. Si le chargeur n'est pas automatique, chargez la batterie pendant au moins huit (8) heures.

Modèles dotés d'une batterie AGM

- Vous devez utiliser un chargeur pour batterie AGM. Le niveau de charge recommandé est de 1,1 A / 14,8 V.

IMPORTANT! N'utilisez pas de chargeur pour automobile.

- Si le chargeur est automatique, chargez la batterie jusqu'à ce que l'indicateur du chargeur indique que la batterie est complètement chargée. Si le chargeur n'est pas automatique, chargez la batterie pendant au moins huit (8) heures.

Réglage du siège

BOUTON DE RÉGLAGE

1. Retirez les boutons (a).
2. Faites glisser le siège vers le haut ou le bas dans la position souhaitée.
3. Remplacez les boutons dans l'un des quatre trous et serrez solidement. Consultez la Figure 16.

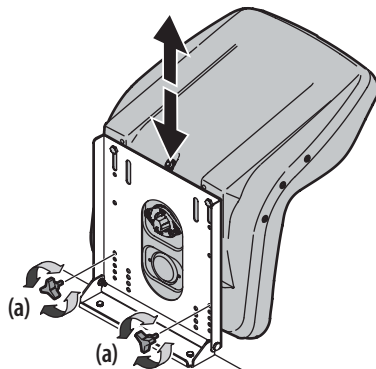


Figure 16

RÉGLAGE DU LEVIER

1. Poussez à gauche et maintenez le levier de réglage du siège pour régler la position du siège.
2. Faites glisser le siège vers l'avant ou vers l'arrière jusqu'à la position souhaitée.
3. Relâchez le levier de réglage. Assurez-vous que le siège est bien verrouillé dans la position souhaitée avant de l'utiliser. Consultez la Figure 17.

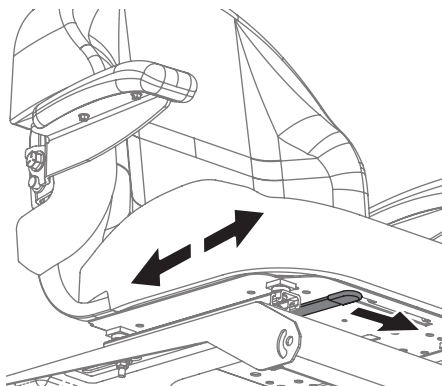


Figure 17

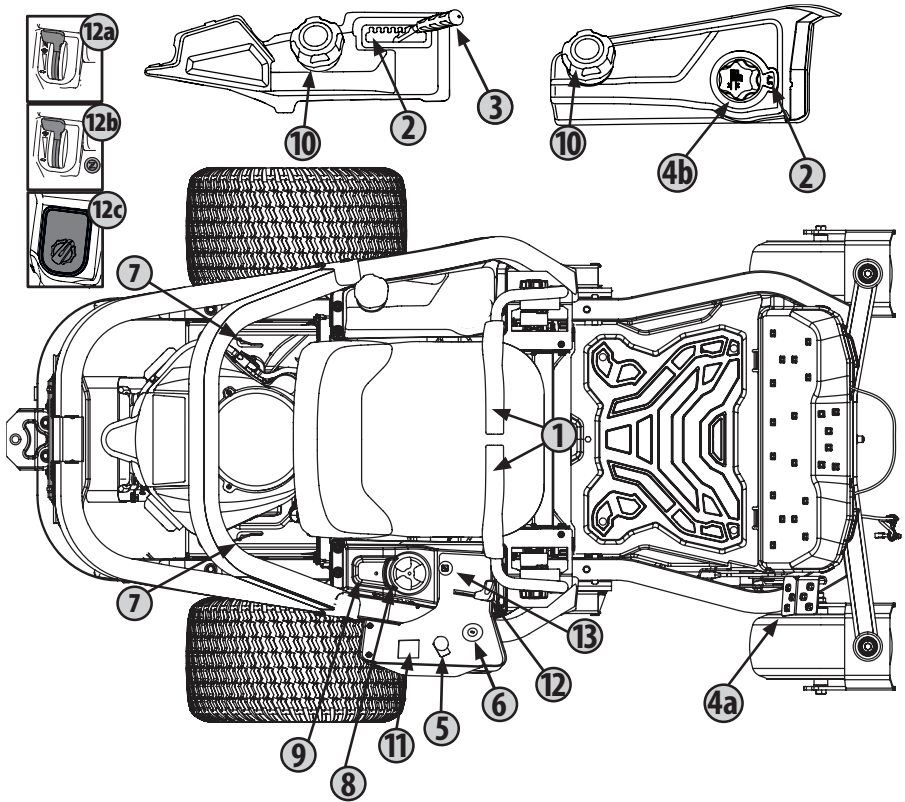


Figure 18

REMARQUE : Ce manuel de l'opérateur couvre plusieurs modèles. Les fonctionnalités du tracteur peuvent varier selon le modèle. Ce ne sont pas toutes les fonctionnalités qui s'appliquent à tous les modèles. Le modèle représenté peut différer du vôtre.

REMARQUE : Toutes les références trouvées dans le présent manuel aux côtés gauche ou droit et à l'avant ou à l'arrière du tracteur sont uniquement à partir du poste de l'opérateur. Les exceptions, le cas échéant, seront précisées.

① Leviers de commande de la barre abdominale

Les leviers de commande de la barre de direction droite (main droite) et gauche (main gauche) sont situés de chaque côté du siège de l'opérateur. Les leviers articulés pivotent vers l'extérieur pour permettre à l'opérateur de s'asseoir sur le siège ou de descendre. Pour démarrer le moteur du tracteur, les leviers de commande de la barre abdominale doivent être complètement sortis et en position de stationnement. Lorsque les leviers de commande d'entraînement de la barre abdominale sont complètement à l'extérieur, le frein de stationnement est engagé.

Chaque levier de contrôle commande la transmission correspondante. Par conséquent, ces leviers contrôlent tous les mouvements du tracteur. Conduire et diriger à l'aide de ces leviers de commande est assez différent d'un tracteur conventionnel et sa mise en pratique sera difficile à maîtriser. Reportez-vous à la section Consignes de sécurité pour en savoir plus.

② Indice de hauteur de plateau de coupe

Si équipé d'un manche élévateur de plateau de coupe :

Chaque encoche d'indice de hauteur correspond à un changement de hauteur du plateau de coupe d'environ 12,7 mm (1/2 po). Consultez le point 3 de la Figure 18.

Si équipé d'une pédale d'élévation de plateau de coupe et d'un bouton :

Chaque rotation représente un changement de hauteur du plateau de coupe de 6,35 mm (1/4 po). Les positions vont de 2,5 cm (1 po) à 11,4 cm (4,5 po) au point le plus élevé. Consulter les points 4a et 4b à la Figure 18.

3 Manche de levage du plateau de coupe (le cas échéant)

Le manche de levage du plateau sert à relever et à abaisser le plateau de coupe de la tondeuse. Pour abaisser le plateau de coupe, tirez le manche de levage vers la droite pour le sortir de l'encoche et poussez-le vers le bas. Pour lever le plateau de coupe, tirez vers le haut. Assurez-vous que le manche est entièrement positionné dans l'encoche de hauteur lorsque la hauteur souhaitée est atteinte.

4a Pédale de levage du plateau de coupe (le cas échéant)

La pédale de levage du plateau de coupe est située à l'avant, dans le coin droit de la plateforme. La pédale est utilisée conjointement avec le bouton de levage de la plateforme (le cas échéant) pour relever et abaisser la tondeuse. Appuyez sur la pédale de levage du plateau de coupe, tournez le bouton de levage du plateau de coupe à la hauteur souhaitée et relâchez la pédale de levage.

4b Bouton de levage du plateau de coupe (le cas échéant)

Le bouton de levage du plateau est utilisé avec la pédale de levage du plateau (le cas échéant) pour lever et abaisser le plateau de coupe. Appuyez sur la pédale de levage du plateau de coupe, tournez le bouton de levage du plateau de coupe à la hauteur souhaitée et relâchez la pédale.

5 Prise de force (PDF)

PRISE DE FORCE ÉLECTRIQUE (LE CAS ÉCHÉANT)

Le commutateur de PDF commande l'embrayage électrique de la prise de force, monté à la base du vilebrequin du moteur. Tirez sur le bouton du commutateur vers le haut pour embrayer la PDF, ou poussez le bouton vers le bas pour la débrayer.

Le commutateur de PDF doit être en position « débrayée » lors du démarrage du moteur.



6 Module du commutateur d'allumage

⚠ AVERTISSEMENT

Ne laissez jamais une machine en marche sans surveillance. Débrayez toujours la prise de force, enclenchez le frein à main, arrêtez le moteur et retirez la clé pour empêcher un démarrage accidentel.

Le contacteur d'allumage a trois positions :

STOP — Le moteur et le système électrique sont éteints.

RUN — Le système électrique de la tondeuse autoportée est sous tension.

START — Le démarreur fera tourner le moteur. Lorsque le moteur démarre, relâchez immédiatement la clé.

REMARQUE : Pour éviter tout démarrage accidentel ou décharge de la batterie, retirez la clé du contacteur d'allumage lorsque le tracteur n'est pas utilisé.

7 Goupilles de dérivation de transmission

Les tiges de dérivation de la transmission (une pour chaque transmission droite et gauche) sont situées à l'arrière du tracteur, à côté du moteur. Lorsqu'elles sont engagées, les deux tiges ouvrent une dérivation dans les transmissions hydrostatiques, ce qui permet au tracteur de se pousser à la main sur de courtes distances. Reportez-vous à la section Assemblage pour obtenir des instructions supplémentaires.

⚠ ATTENTION

Ne remorquez jamais votre tracteur. Remorquer le tracteur avec les roues arrière reposant au sol pourrait endommager gravement les transmissions.

8 Porte-gobelet

Le porte-gobelet est situé sur le dessus de la console.

9 Plateau de rangement

Le plateau de rangement est situé à l'arrière de la console.

10 Bouchon du réservoir d'essence

Tournez le capuchon de remplissage d'au moins deux clics dans le sens antihoraire et tirez-le vers le haut pour le retirer. Pour éviter sa perte, le bouchon d'essence est attaché au tracteur. Ne tentez pas de retirer le bouchon du tracteur. Remplissez le réservoir à 12,7 mm (1/2 po) sous le bas du goulot de remplissage, afin de laisser un espace dans le réservoir pour permettre la dilatation de carburant. Ne pas trop remplir le réservoir.

Enfoncez le bouchon sur le goulot de remplissage du réservoir de carburant et serrez d'au moins deux clics dans le sens des aiguilles d'une montre pour le serrer. N'oubliez pas de bien refermer le réservoir avec le bouchon.

⚠ AVERTISSEMENT


Ne remplissez jamais le réservoir d'essence lorsque le moteur est en marche. Si le moteur est chaud d'avoir tourné récemment, laissez-le refroidir pendant au moins cinq minutes avant de refaire le plein. De l'essence hautement inflammable pourrait être renversée sur le moteur et causer un incendie.

11 Compteur horaire et afficheur de service ACL (le cas échéant)

Le rappel de service d'entretien ACL rappellera à l'opérateur les intervalles de maintenance pour la vidange de l'huile moteur, l'entretien du filtre à air, les avertissements de bas niveau



d'huile moteur et de batterie. Lorsque la clé quitte la position d'arrêt (STOP), mais qu'elle n'est pas en position de marche (START), le compteur de service et l'indicateur de service ACL affichent brièvement la tension de la batterie, suivie des heures accumulées par le tracteur.

REMARQUE : Lorsque la clé de contact est en position d'arrêt (STOP), le sablier  est allumé/clignote pour indiquer qu'il enregistre les heures de fonctionnement du tracteur, que le moteur soit démarré ou non.

VIDANGER L'HUILE

L'écran ACL alterne les lettres « CHG », suivies de « OIL », suivies de « SOON », suivies du temps accumulé par le compteur. « CHG/OIL/SOON/TIME » alternera sur l'affichage pendant 7 minutes après que le compteur ait atteint 50 heures. Cet intervalle de rappel de service d'huile aura lieu toutes les 50 heures. Avant l'expiration de l'intervalle, remplacez l'huile moteur comme indiqué dans le manuel d'utilisation du moteur.

FAIBLE NIVEAU D'HUILE

REMARQUE : La fonction de basse pression d'huile ne fonctionne que si le moteur est équipé d'un pressostat d'huile.

L'écran ACL alterne les lettres « LO » suivies de « OIL », suivies du temps accumulé sur le compteur, ce qui indique que le moteur a une faible pression d'huile. Ceci est courant lors du démarrage d'un moteur. L'indicateur reste actif jusqu'à ce que le moteur crée suffisamment de pression après le démarrage. S'il reste allumé alors que le moteur tournait à plein régime et après quelques minutes de fonctionnement, arrêtez immédiatement le tracteur, vérifiez le niveau d'huile moteur et ajoutez-en conformément aux instructions du manuel d'utilisation du moteur. Si le niveau d'huile est correct et que le voyant demeure allumé, communiquez avec un revendeur agréé.

FAIBLE NIVEAU DE LA BATTERIE FAIBLE

Au démarrage, la tension de la batterie s'affiche brièvement, puis passe en heures accumulées. Les lettres « LO » suivies des lettres « BATT » s'afficheront, suivies du temps accumulé au compteur. « LO/BATT/TIME » s'affiche sur l'écran ACL lorsque la tension chute sous de 11,5 volts. Lorsque cela se produit, la batterie a besoin d'une charge ou le système de charge du moteur ne génère pas un ampérage suffisant. Chargez la batterie comme indiqué dans la section Chargement de la batterie du présent manuel ou faites vérifier le système de charge par votre concessionnaire local.

ENTRETIEN DU FILTRE À AIR

L'écran ACL affichera les lettres « CLN » suivies des lettres « AIR », suivies de « FILT », suivies du temps accumulé au compteur. « CLN/AIR/FILT/TIME » alternera sur l'affichage pendant 7 minutes après que le compteur aura atteint 25 heures. Cet intervalle de temps de maintenance du filtre à air aura lieu toutes les 25 heures. Aux intervalles communs avec la vidange d'huile, le message d'huile sera affiché en premier, suivi du message de filtre à air.

12 COMMANDE D'ACCÉLÉRATEUR / D'ÉTRANGLEUR, COMMANDE D'ACCÉLÉRATEUR, COMMANDE D'ACCÉLÉRATEUR ÉLECTRONIQUE

REMARQUE : Lorsqu'elle est réglée dans une position donnée, le moteur maintiendra une vitesse régulière.

A. COMMANDE D'ACCÉLÉRATEUR / D'ÉTRANGLEUR (LE CAS ÉCHÉANT)

Déplacez le levier d'accélérateur/d'étrangleur vers l'avant pour augmenter la vitesse. L'appareil est conçu pour fonctionner avec le levier d'accélérateur / d'étrangleur à la position RAPIDE (plein régime) lorsque l'appareil avance et le plateau de coupe est engagé. Déplacez le levier d'accélérateur/d'étrangleur vers l'arrière pour réduire le régime du moteur. Au démarrage, poussez le levier à fond vers l'avant à la position ÉTRANGLEUR (CHOKE). Lorsque le moteur est en marche, déplacez le levier vers l'arrière jusqu'à ce qu'il ait passé le point de friction. Ce levier n'est pas utilisé pour contrôler la vitesse de l'appareil, il doit être maintenu à la position rapide lorsque les lames sont embrayées.

B. COMMANDE D'ACCÉLÉRATEUR (LE CAS ÉCHÉANT)

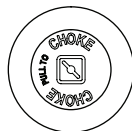
Déplacez le levier d'accélérateur vers l'avant pour augmenter la vitesse. L'appareil est conçu pour fonctionner avec le levier d'accélérateur à la position RAPIDE (plein régime) lorsque l'appareil avance et le plateau de coupe est engagé. Déplacez le levier d'accélérateur vers l'arrière pour réduire le régime du moteur.

C. COMMANDE D'ACCÉLÉRATEUR ÉLECTRONIQUE (LE CAS ÉCHÉANT)

Le régime du moteur sera maintenu selon le réglage choisi. Le module de commande d'accélérateur électronique reçoit des informations de divers capteurs pour déterminer à chaque instant la charge à laquelle le moteur est soumis. Le réglage « CUT » assure une performance optimale dans des conditions d'utilisation normales. Le réglage « POWER CUT » assure une performance optimale dans des conditions d'utilisation anormales.

13 Contrôle de l'étrangleur (le cas échéant)

Le démarreur détermine la position de l'étrangleur du moteur. Tirez sur le bouton pour étrangler le moteur; enfoncez le bouton pour ouvrir l'étrangleur.



UTILISATION

Outil multiple (Modèles d'ascenseurs de pont piétonnier uniquement)

L'outil multiple (a) est situé à l'avant de la console de droite. L'outil multiple (a) peut être utilisé comme verrou de levage du plateau de coupe, pour retirer le boulon de l'empattement, régler la hauteur des leviers de contrôle de la barre abdominale, régler la butée du levier de contrôle et peut être utilisé comme outil de retrait avec la douille de 1/2 po. Consulter la section Entretien et Maintenance pour en savoir plus sur l'utilisation des outils multiples. Consultez la Figure 19.

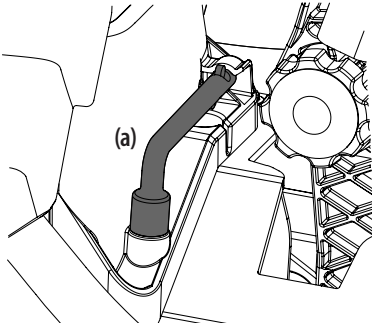


Figure 19

Phares (non affichés/le cas échéant)

Les phares sont situés à l'avant du cadre. Les phares sont allumés chaque fois que la clé de contact quitte la position d'arrêt (STOP) et ils sont éteints lorsque la clé de contact est remise en position d'arrêt (STOP).

Levier de réglage du siège (non affichés/le cas échéant)

Le levier de réglage du siège est situé sous le siège. Le levier de réglage du siège permet d'avancer ou de reculer le siège de l'opérateur. Reportez-vous aux instructions de réglage du siège dans la section Assemblage.

REMARQUE : Si votre tracteur n'est pas équipé d'un levier de réglage du siège, vous pouvez le régler à l'aide des boutons situés sous le siège. Reportez-vous aux instructions de réglage du siège dans la section Assemblage.

Utilisation

AVANT DE FAIRE FONCTIONNER VOTRE TRACTEUR

- Avant de commencer, reportez-vous au Tableau d'entretien situé dans le présent manuel pour connaître les éléments de maintenance planifiés.
- Ce moteur est certifié fonctionner uniquement à l'aide d'essence sans plomb propre et fraîche. Remplissez uniquement à l'aide d'essence régulière sans plomb propre et fraîche avec un taux d'octane de 87 ou plus.
- N'utilisez pas de reste d'essence de la saison précédente afin de réduire les dépôts de gomme dans le circuit de carburant.

- L'essence-alcool (jusqu'à 10 % d'alcool éthylique et 90 % d'essence sans plomb) est un carburant approuvé. Les autres mélanges d'alcool-essence ne sont pas approuvés.
- Les mélanges de méthyl-tert-butyléthér (MTBE) et d'essence sans plomb (jusqu'à un maximum de 15 % de MTBE) sont des carburants approuvés. Les autres mélanges d'essence/éthér en sont pas approuvés.

SYSTÈME DE VERROUILLAGE DE SÉCURITÉ

AVERTISSEMENT

N'utilisez pas le tracteur si le système de verrouillage de sécurité fonctionne mal. Il a été conçu pour votre sécurité et votre protection.

Ce tracteur est équipé d'un système de verrouillage de sécurité pour la protection de l'opérateur. En cas de mauvais fonctionnement du système de verrouillage, n'utilisez pas le tracteur. Consultez un atelier de réparation agréé.

- Le système de verrouillage de sécurité empêche le moteur de démarrer à moins que le frein de stationnement soit enclenché et que le bouton de la PDF est dans la position de débrayage (OFF).
- Le moteur s'arrêtera automatiquement si l'opérateur quitte le siège sans enclencher le frein de stationnement.
- Le moteur s'arrêtera automatiquement si l'opérateur quitte le siège du tracteur avec le commutateur de prise de force en position ENGAGÉE (ON), que le frein de stationnement soit engagé ou non.

VERIFICATION DES CIRCUITS DE VERROUILLAGE DE SÉCURITÉ

Vérifiez périodiquement les circuits de verrouillage de sécurité pour vous assurer qu'ils fonctionnent correctement. Si un circuit de sécurité ne fonctionne pas comme prévu, contactez votre revendeur pour faire inspecter le tracteur. N'utilisez PAS le tracteur si un circuit de sécurité ne fonctionne pas correctement. Pour vérifier les circuits de sécurité, procédez comme suit :

1. Tirez la prise de force vers le haut jusqu'à la position ENGAGÉE (ON). Mettre momentanément le contacteur d'allumage en position de démarrage (START); le moteur ne doit pas démarrer.
2. Avec le tracteur en marche, déplacez les deux leviers de commande d'entraînement abdominale complètement vers l'intérieur, au point mort; puis soulevez-vous du siège de l'opérateur. Le moteur devrait s'arrêter.
3. Engagez la prise de force alors que les deux leviers de contrôle de la barre abdominale sont complètement à l'extérieur lorsque le frein de stationnement est engagé. Soulevez-vous du siège de l'opérateur; le moteur devrait s'arrêter.

UTILISATION

METTRE LE MOTEUR EN MARCHÉ

⚠ ATTENTION

L'opérateur doit être assis sur le siège du tracteur pour mettre le moteur en marche.

1. L'opérateur doit être assis sur le siège du tracteur avec les leviers de contrôle de la barre abdominale complètement sortis et en position de stationnement. Consultez la Figure 20. Reportez-vous à la rubrique Consignes de sécurité pour obtenir de plus amples directives.

Leviers de contrôle déplacés Vers l'extérieur et en position de frein de stationnement

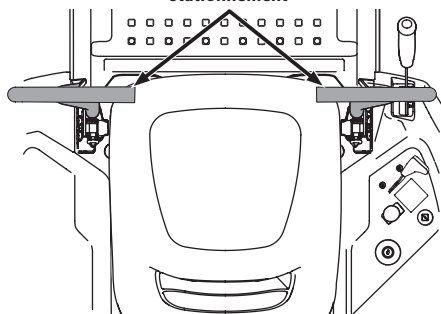


Figure 20

2. Assurez-vous que le commutateur de la PDF est en position d'arrêt. Déplacez la commande d'étranglement ou la commande d'accélérateur/de démarreur en position de démarreur complet. Sur les modèles avec une commande de démarreur séparée, déplacez la commande d'accélération à mi-chemin entre ses positions lente et rapide.

REMARQUE : Si le moteur est chaud, il pourrait ne pas être nécessaire d'utiliser l'étrangleur.

3. Tournez la clé dans le sens horaire à la position START (départ). Après que le moteur démarre, relâchez la clé. Elle reviendra à la position de FONCTIONNEMENT.

⚠ ATTENTION

Ne maintenez pas la clé dans la position de démarrage (START) plus de dix secondes à la fois. Cela pourrait endommager le démarreur électrique du moteur.

4. Au fur et à mesure que le moteur chauffe, tirez progressivement le levier de contrôle d'accélérateur/démarreur vers l'arrière, au-delà de la position d'enclenchement du démarreur, ou dégagez lentement l'étrangleur sur les modèles dotés d'un étrangleur séparé. N'utilisez pas la position de l'étrangleur pour enrichir le mélange carburant, sauf pour le démarrage du moteur.
5. Laissez le moteur tourner quelques minutes à régime moyen avant de le mettre sous charge.

6. Observez l'horomètre/tableau indicateur. Si le témoin lumineux de la batterie ou celui de la pression d'huile s'allume, arrêtez immédiatement le moteur. Faites inspecter le tracteur par votre concessionnaire agréé.

DÉMARRAGE PAR TEMPS FROID

Lors du démarrage du moteur à des températures proches point de congélation ou inférieures, assurez-vous que l'huile de moteur est de la bonne viscosité et que la batterie est complètement chargée. Mettez le moteur en marche comme suit :

1. Surez-vous que la batterie est en bon état. Une batterie chaude a une capacité de démarrage plus importante qu'une batterie froide.
2. Utilisez un carburant frais pour service en hiver. L'essence pour service en hiver a une volatilité plus élevée pour améliorer le démarrage. N'utilisez pas le reste d'essence de l'été.
3. Observez les instructions précédentes pour démarrer le moteur.

UTILISER DES CÂBLES DE DÉMARRAGE POUR METTRE LE MOTEUR EN MARCHÉ

⚠ AVERTISSEMENT

Les batteries contiennent de l'acide sulfurique et produisent des gaz explosifs. Assurez-vous que la zone est bien aérée, portez des gants et une protection oculaire et évitez les étincelles ou les flammes près de la batterie.

Si la charge de la batterie n'est pas suffisante pour démarrer le moteur, rechargez la batterie. Si nous ne disposons pas d'un chargeur et qu'il faut mettre le tracteur en marche, vous aurez besoin d'une batterie d'appoint. Connectez la batterie d'appoint comme suit :

1. Connectez l'extrémité d'un câble à la borne positive de la batterie du tracteur hors service et l'autre extrémité à la borne positive de la batterie d'appoint.
2. Connectez l'extrémité de l'autre câble à la borne négative de la batterie d'appoint; et l'autre extrémité de ce câble au châssis du tracteur aussi loin que possible de la batterie.
3. Mettez le tracteur hors service en marche en suivant les instructions de démarrage normal; puis déconnectez les câbles dans l'ordre inverse exact de leur connexion.
4. Faites inspecter et réparer le système électrique du tracteur dès que possible pour éliminer le besoin de démarrage d'appoint.

ARRÊTER LE MOTEUR

1. Désengagez la prise de force.
2. Déplacez les leviers de contrôle des barres abdominale droite et gauche complètement vers l'extérieur dans la position engagée du frein de stationnement.
3. Déplacez la manette des gaz à mi-chemin entre les positions SLOW et FAST (lent et rapide).

UTILISATION

4. Tournez la clé dans le sens horaire à la position « STOP » et retirez-la du commutateur d'allumage.

REMARQUE : Retirez toujours la clé du module d'allumage pour empêcher un démarrage accidentel ou la décharge de la batterie si l'équipement est laissé sans surveillance.

EXERCICE (UTILISATION INITIALE)

La conduite d'un tracteur à rayon de braquage zéro n'est pas comme celle d'un tracteur classique. Même si un tracteur à braquage zéro est plus maniable, il est nécessaire de s'exercer à manier les leviers de contrôle de la barre abdominale.

Il est fortement recommandé de localiser une « zone de pratique » raisonnablement grande, ouverte et de niveau, où il n'y a aucun obstacle, piéton ou animal. Vous devez vous exercer à utiliser le tracteur pendant au moins 30 minutes.

Déplacez avec précaution (ou faites déplacer) le tracteur vers la zone de pratique. Lors de la séance d'exercice, la PTO ne devrait pas être engagée. Pendant la pratique, utilisez l'accélérateur du tracteur à environ 1/2-3/4 et à une vitesse inférieure à la vitesse maximale en marche avant et arrière.

Exercez-vous soigneusement à manœuvrer le tracteur en suivant les instructions de la section « Conduite du tracteur ». Exercez-vous jusqu'à ce que vous soyez sûr de pouvoir utiliser le tracteur en toute sécurité.

Conduire le tracteur

⚠ AVERTISSEMENT

Gardez tous les mouvements des leviers de contrôle de la barre abdominale lents et réguliers. Un mouvement brusque des leviers de contrôle peut avoir une incidence négative sur la stabilité du tracteur et provoquer son renversement, ce qui peut entraîner des blessures graves, voire mortelles pour l'opérateur.

1. Réglez le siège de l'opérateur sur la position la plus confortable qui vous permette d'utiliser les commandes. Voir le Réglage du siège dans la section Assemblage.
2. Déplacez les leviers de contrôle droit et gauche au neutre, ce qui désactive également le frein de stationnement. Consultez la Figure 21.

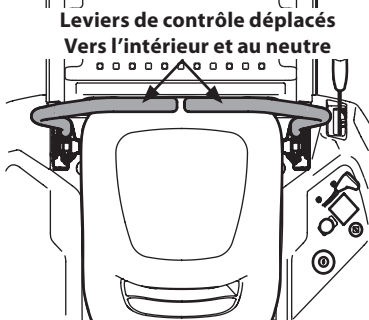


Figure 21

REMARQUE : Les leviers de contrôle de la barre abdominale doivent être complètement déplacés vers l'avant avant d'appuyer en avant ou en arrière pour vous assurer que les freins sont complètement désengagés. Le fait de garer le tracteur sur un terrain accidenté ou sur une colline peut entraîner le blocage des freins et leur relâchement partiel. Dans ce cas, le tracteur ne pourra être conduit lorsque les leviers de contrôle de la barre abdominale sont déplacés. Si cela se produit, déplacez légèrement le levier de contrôle de la barre abdominale dans le sens opposé pour alléger la charge des freins et leur permettre de se relâcher complètement.

REMARQUE : Si les leviers de contrôle de la barre abdominale ne sont même pas au point mort, reportez-vous à la section Assemblage pour apprendre à ajuster les leviers de contrôle de la barre abdominale pour qu'ils soient égaux.

3. Mettez l'accélérateur à plein régime.

⚠ AVERTISSEMENT

Maintenez toujours fermement les leviers de contrôle. NE relâchez PAS les leviers de contrôle pour ralentir ou arrêter le tracteur; déplacez les leviers en position neutre en utilisant vos mains.

4. Pour conduire le tracteur, saisissez fermement les leviers de contrôle respectifs et passez à Avancer le tracteur dans la section suivante.

AVANCER LE TRACTEUR

1. Avancez lentement et régulièrement les deux leviers de contrôle de la barre abdominale. Le tracteur commencera à avancer. Consultez la Figure 22.

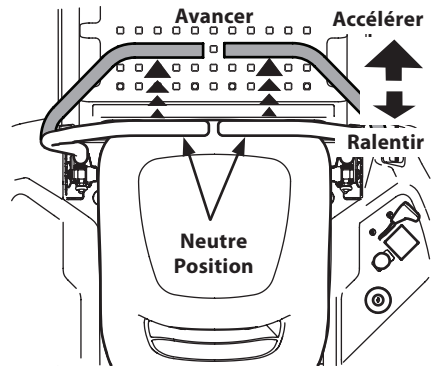


Figure 22

2. La vitesse du tracteur augmentera à mesure que les leviers de contrôle de la barre abdominale sont avancés.
3. Pour ralentir le tracteur, déplacez le levier de contrôle vers l'arrière pour atteindre la vitesse désirée, ou placez les leviers de contrôle de la barre abdominale en position neutre pour arrêter le tracteur.

UTILISATION

FAIRE TOURNER LE TRACTEUR PENDANT QUE VOUS AVANCEZ

⚠ AVERTISSEMENT

Des virages serrés peuvent avoir une incidence sur le contrôle du tracteur. Ralentissez **TOUJOURS** le tracteur avant de faire des virages serrés.

Pour faire tourner le tracteur en marche avant, déplacez les leviers de contrôle de la barre abdominale de manière à ce qu'un levier se trouve à l'arrière de l'autre. Le tracteur tournera dans la direction du levier de contrôle arrière.

1. Pour tourner à gauche, déplacez le levier de contrôle de conduite gauche en arrière du levier de contrôle droit. Consultez la Figure 23.

Virage à gauche en avant

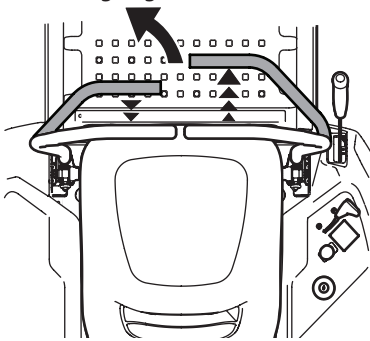


Figure 23

2. Pour tourner à droite, déplacez le levier de contrôle de conduite droit en arrière du levier gauche. Consultez la Figure 24.

Virage à droite en avant

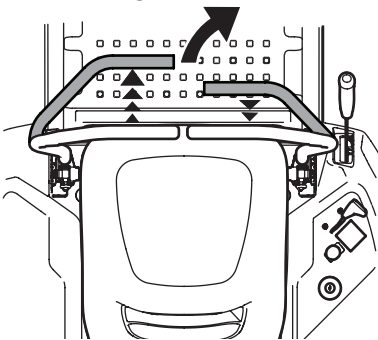


Figure 24

3. Plus la distance entre les deux leviers est grande, plus le tracteur sera tranchant.
4. Pour effectuer un « tour pivot », placez le levier de contrôle d'entraînement du côté virage en position neutre, tout en déplaçant l'autre levier de contrôle vers l'avant.

REMARQUE : Faire un « pivot » sur l'herbe augmentera considérablement le potentiel de dégradation du gazon.

RECULER LE TRACTEUR

⚠ AVERTISSEMENT

Regardez toujours derrière vous et vers le bas sur les deux côtés du tracteur avant de mettre la marche arrière. Regardez toujours vers l'arrière lorsque vous reculez. Il n'est pas recommandé de tondre en reculant.

1. Déplacez lentement et uniformément les deux leviers de contrôle vers l'arrière. Le tracteur commencera à se déplacer en sens inverse. Consultez la Figure 25.

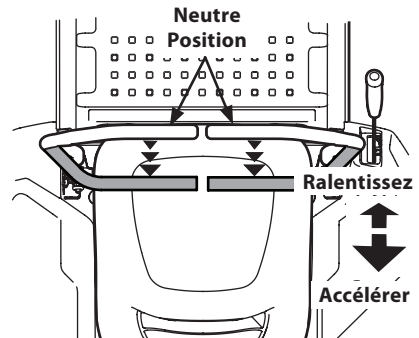


Figure 25

2. Au fur et à mesure que les leviers de contrôle de la barre de guidage sont poussés plus vers l'arrière, la vitesse du tracteur augmentera.
3. Pour ralentir le tracteur, déplacez les leviers de contrôle vers l'avant pour atteindre la vitesse désirée, ou placez les leviers de contrôle au point mort pour arrêter le tracteur.

TOURNER TOUT EN AVANÇANT

Pour faire tourner le tracteur tout en reculant, déplacez les leviers de contrôle au besoin, de sorte que l'un des leviers se trouve en avant de l'autre. Le tracteur tournera dans la direction du levier de contrôle abdominal avant.

1. Pour tourner à gauche en marche arrière, déplacez le levier de contrôle de gauche vers l'avant du levier de contrôle de droite. Consultez la Figure 26.

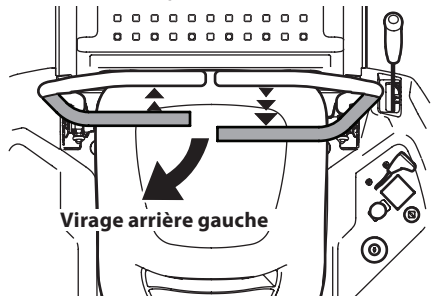


Figure 26

UTILISATION

2. Pour faire demi-tour en marche arrière, déplacez le levier de contrôle droit en avant du levier de contrôle gauche. Consultez la Figure 27.

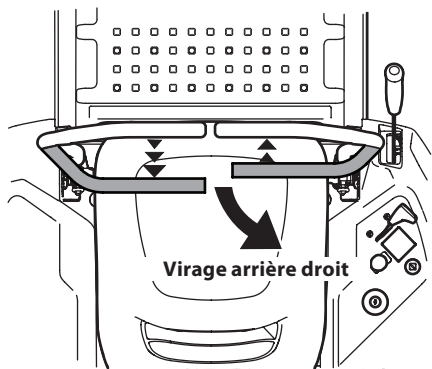


Figure 27

REMARQUE : Plus la distance entre les deux leviers de contrôle de la barre abdominale est grande, plus le tracteur tournera.

3. Pour effectuer un « pivot », placez le levier de contrôle côté virage en position neutre, tout en déplaçant l'autre levier de contrôle vers l'arrière.

REMARQUE : Faire un « pivot » sur l'herbe augmentera considérablement le potentiel de dégradation du gazon.

EXÉCUTION D'UN VIRAGE À ZÉRO

1. Arrêtez le mouvement du tracteur en plaçant les deux leviers de contrôle de la barre abdominale au neutre.
2. Pour tourner dans le sens horaire, déplacez le levier de contrôle gauche de la barre abdominale vers l'avant tout en déplaçant simultanément le levier de contrôle de la barre abdominale droite vers l'arrière. Consultez la Figure 28.

Braquage zéro dans le sens horaire

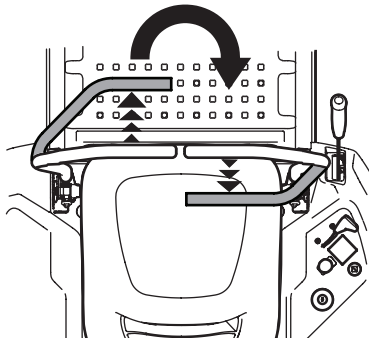


Figure 28

3. Pour tourner dans le sens antihoraire, déplacez le levier de contrôle droite de la barre abdominale vers l'avant tout en déplaçant simultanément le levier de contrôle de la barre abdominale gauche vers l'arrière. Consultez la Figure 29.

Braquage zéro dans le sens antihoraire

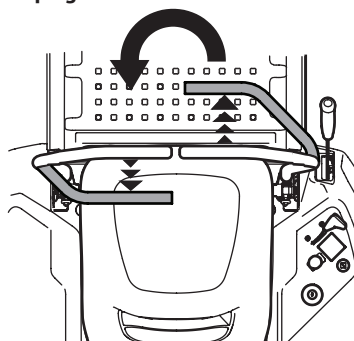


Figure 29

ARRÊTER LE TRACTEUR

1. Placez les deux leviers de contrôle de la barre abdominale en position neutre pour arrêter le mouvement du tracteur.
2. Mettez le commutateur de la PDF en position « OFF » débrayée.
3. Utilisez le bouton/le manche de levage du plateau de coupe pour soulever le plateau de coupe dans sa position la plus élevée.
4. Si vous descendez du tracteur, déplacez les leviers de contrôle de la barre abdominale complètement vers l'extérieur en position neutre, ce qui engage également le frein de stationnement, placez le papillon des gaz en position rapide (FAST), tournez la clé de contact pour arrêter (STOP) et retirez-la. Le du module d'allumage.

⚠ AVERTISSEMENT


Ne quittez pas le siège du tracteur sans avoir désengagé la prise de force et sans avoir déplacé complètement les leviers de contrôle de la barre abdominale dans la position engagée du frein de stationnement. Si vous laissez le tracteur sans surveillance, tournez la clé de contact en position d'arrêt (STOP) et retirez-la.

Embrayer la prise de force

Embrayer la PDF transfère la puissance au plateau de coupe ou à tout autre équipement annexe (en vente séparément). Pour embrayer la PDF :

1. Placez la manette des gaz en position rapide (FAST)
2. Tirez sur le commutateur de la PDF/lame en prise relevée à la position (ON) embrayée.

UTILISATION

REMARQUE : Lorsque vous utilisez le tracteur, assurez-vous que la manette des gaz est toujours en position rapide (FAST) . L'utilisation de la pédale d'accélérateur à une cadence insuffisante peut entraîner une usure prématurée de la batterie et une mauvaise qualité de tonte.

3. Pour désengager la prise de force, poussez le commutateur de prise de force vers le bas/vers la position DÉSENGAGÉ (OFF).

Tonte

AVERTISSEMENT

Pour éviter tout contact avec la lame ou d'être blessé par un projectile, tenez les passants, les assistants, les enfants et les animaux à au moins 23 mètres (75') de la machine en cours d'utilisation. Arrêtez l'appareil si quelqu'un pénètre dans la zone de travail.

AVERTISSEMENT

Assurez-vous que la zone à tondre est exempte de débris, de bâtons, de cailloux, de fils métalliques ou de tout autre objet pouvant être projeté par les lames en rotation.

REMARQUE : N'engagez pas la tondeuse lorsqu'elle est abaissée dans l'herbe. Il en résulterait une usure prématurée et une défaillance possible de la courroie en « V » et de l'embrayage de la PDF. Soulevez complètement le plateau de coupe ou déplacez vous vers une zone non gazonnée avant d'engager le plateau de coupe de la tondeuse.

- Tondez perpendiculairement aux pentes, pas en montant ou en descendant. Si vous tondez une pente, commencez en bas et montez pour vous assurer que les virages sont effectués en montée.
- Ne tondez pas à vitesse élevée, surtout si un ensemble de déchiquetage ou un bac de ramassage est installé.
- Ne tondez pas le gazon trop court. Le gazon court est sujet à la croissance des mauvaises herbes et jaunit rapidement par temps sec.
- Tondez toujours avec la manette des gaz en position rapide (FAST).
- Au premier passage, choisissez un point situé de l'autre côté de la zone à tondre. Suivez le point pour maintenir une ligne droite.
- Engagez la prise de force et placez la commande des gaz ou le démarreur en position rapide (FAST).
- Abaissez la tondeuse à la hauteur désirée.
- Pour de meilleurs résultats, dirigez l'herbe coupée lors des deux premiers passages vers le centre de la zone de travail. Changez ensuite de direction pour évacuer l'herbe coupée vers l'extérieur. Cela donnera une meilleure apparence à votre pelouse.

- Poussez lentement et uniformément les leviers de contrôle droit et gauche vers l'avant pour faire avancer le tracteur, et laissez le tracteur se diriger directement vers le point d'alignement.

REMARQUE : La vitesse du tracteur aura une incidence sur la qualité de la coupe de la tondeuse. Tondre à pleine vitesse nuira à la qualité de la coupe. Contrôlez la vitesse au sol avec les leviers de contrôle.

- Votre tracteur est conçu pour couper du gazon résidentiel normal n'excédant pas une hauteur de plus de 25 cm (10 po) Ne tentez pas de couper la pelouse exceptionnellement longue et sèche (par exemple, des pâturages) ou des amas de feuilles mortes. De la pelouse sèche ou des feuilles mortes peuvent entrer en contact avec l'échappement du moteur ou s'accumuler sur le tracteur.
- N'essayez pas de tondre les broussailles, les mauvaises herbes ou de l'herbe extrêmement haute. Votre tracteur est conçu pour tondre le gazon, PAS pour nettoyer les broussailles.
- Gardez les lames affûtées et remplacez-les lorsqu'elles sont usées.
- Lorsque vous approchez de l'autre extrémité de la bande, ralentissez ou arrêtez-vous avant de tourner. Un demi-tour est recommandé sauf si un pivot ou un virage à zéro est requis.
- Alignez la tondeuse avec un bord de la bande tonduée et chevauchez environ 7,6 cm (3 po).
- Dirigez le tracteur sur chaque bande suivante pour l'aligner avec une bande précédemment coupée.
- Pour éviter tout risque de formation d'ornières ou de rainures sur le gazon, modifiez le sens de la coupe des bandes d'environ 45° pour la tonte suivante et les autres subséquentes.

Lorsque, pour une raison quelconque, vous arrêtez le tracteur sur une surface gazonnée, toujours :

- Déplacez les leviers de contrôle des barres abdominale droite et gauche complètement vers l'extérieur dans la position engagée du frein de stationnement.
- Arrêter le moteur et retirer la clé.
- Cela réduira au minimum la possibilité que votre pelouse soit « dorée » par les gaz d'échappement chauds du moteur de votre tracteur.

ENTRETIEN ET MAINTENANCE

AVERTISSEMENT

Avant d'entreprendre toute intervention de maintenance ou d'entretien, désengagez toutes les commandes et arrêtez le moteur. Attendez que toutes les pièces mobiles s'arrêtent complètement. Débranchez le fil de la bougie d'allumage et mettez-le à la terre contre le moteur pour empêcher tout démarrage intempestif. Portez toujours des lunettes de sécurité lorsque vous utilisez la tondeuse ou lorsque vous procédez à des réglages ou à des réparations.

Suivez le programme d'entretien présenté ci-dessous. Ce tableau décrit uniquement les instructions pour l'entretien.

Consultez la notice d'utilisation du moteur en ce qui concerne les éléments d'entretien du moteur répertoriés dans le tableau ci-dessous.

REMARQUE : Le calendrier de maintenance se poursuit sur la page suivante.

	Avant chaque utilisation	Après les 5 premières heures	Toutes les 10 heures	Toutes les 25 heures	Toutes les 50 heures	Toutes les 100 heures	Toutes les 200 heures	Avant le remisage	Consultez le manuel du moteur
Vérifiez et nettoyez les crépines d'aspiration et les ventilateurs de refroidissement #	✓							✓	
Vérifiez et nettoyez le collecteur d'échappement, les tuyaux du silencieux et les boucliers du silencieux #	✓							✓	
Vérifiez et nettoyez le dessus et le dessous du plateau, sous et autour des protections de fusée et de la zone de la courroie #	✓							✓	
Vérifiez et nettoyez autour des fusibles, du câblage et des faisceaux de câblage #	✓							✓	
Vérifiez et nettoyez autour de la transmission, de l'essieu et des ventilateurs #	✓							✓	
Vérifiez, ajoutez, ou changez le liquide de transmission, le cas échéant							✓		
Inspectez le filtre à air pour détecter d'éventuelles pièces sales, desserrées ou endommagées	✓								
Vérifiez le niveau d'huile moteur	✓								
Nettoyez les bornes de la batterie			✓					✓	
Graissez tous les points de lubrification			✓					✓	
Vérifiez la crépine d'aspiration et nettoyez-la, le cas échéant			✓					✓	
Vérifiez les lames, affûtez-les ou remplacez-les, le cas échéant			✓					✓	
Vérifiez la pression des pneus			✓					✓	
Vérifiez et nettoyez le dessous du plateau	✓		✓						
Vérifiez le système de verrouillage de sécurité			✓					✓	

ENTRETIEN ET MAINTENANCE

	Avant chaque utilisation	Après les 5 premières heures	Toutes les 10 heures	Toutes les 25 heures	Toutes les 50 heures	Toutes les 100 heures	Toutes les 200 heures	Avant le remisage	Consultez le manuel du moteur
Vérifiez le temps d'arrêt de la lame de coupe			✓					✓	
Inspectez et lubrifiez les roues du plateau				✓				✓	
Vérifiez le nivellement et l'inclinaison du plateau				✓				✓	
Vérifiez que les courroies et les poulies ne sont pas endommagées ou usées					✓				
Vérifiez que tout le matériel est en place et sécurisé						✓			
Vérifier le couple de serrage des boulons de montage du moteur (Serrez à 37 à 50 N-m (325-450 po-lb))		✓			✓			✓	✓
Vérifiez le couple de serrage de l'écrou de montage de la lame (Serrez à 95 à 122 N-m (70-90 pi-lb))		✓			✓			✓	
Vérifiez l'état et l'écart de la bougie d'allumage						✓		✓	✓
Vidange de l'huile de rodage du moteur		✓							✓
Changez l'huile moteur					✓			✓	✓
Vérifiez le circuit de carburant (conduits, réservoir, bouchon, raccords)		✓			✓			✓	✓
Vérifiez le pare-étincelles		✓			✓			✓	✓
Remplacez le filtre à huile					✓			✓	✓
Nettoyez ou changez le filtre à air					✓				✓
Remplacez le filtre à carburant					✓				✓
Faites vérifier et régler le jeu de soupape *									✓

* -- Faites effectuer cette vérification par un revendeur agréé.

-- Effectuez plus souvent par temps sec ou en cas de paillage.

REMARQUE : Ce manuel de l'opérateur couvre plusieurs modèles. Les fonctionnalités du tracteur peuvent varier selon le modèle. Les fonctionnalités trouvées dans le présent manuel ne s'appliquent pas à tous les modèles de tracteur. Le modèle de tracteur représenté peut être différent du vôtre.

Entretien du tracteur après utilisation

Après chaque utilisation du tracteur, pour assurer des conditions de fonctionnement sûres, consultez le tableau du programme d'entretien du présent manuel pour un entretien correct du tracteur.

AVERTISSEMENT

Le non-respect de ces recommandations peut causer des blessures graves à vous-même ou pour autrui, ainsi que des dommages au tracteur.

Nettoyer le dessous du plateau

SYSTÈME DE NETTOYAGE DU PLATEAU

Le plateau de coupe de votre tracteur peut être équipé d'un orifice pour l'eau à sa surface qui fait partie de son dispositif de lavage.

ENTRETIEN ET MAINTENANCE

Utilisez le système de nettoyage du plateau pour éliminer les déchets de coupe de la face inférieure du plateau et empêcher l'accumulation de produits chimiques corrosifs. Effectuez les étapes suivantes après chaque tonte :

1. Fixez l'adaptateur de buse à un boyau d'arrosage standard raccordé à une arrivée d'eau.
2. Déplacez le tracteur dans une zone à portée du boyau d'arrosage et dans laquelle vous pouvez disperser les déchets de coupe mouillés. Débrayez la PDF, serrez le frein de stationnement et arrêtez le moteur.
3. Tirez sur le collier d'arrêt (a) de l'adaptateur de buse (b), puis poussez l'adaptateur de buse sur la buse de nettoyage du plateau (c). Relâchez le collier d'arrêt pour verrouiller l'adaptateur de buse sur la buse de nettoyage du plateau. Consultez la Figure 30.

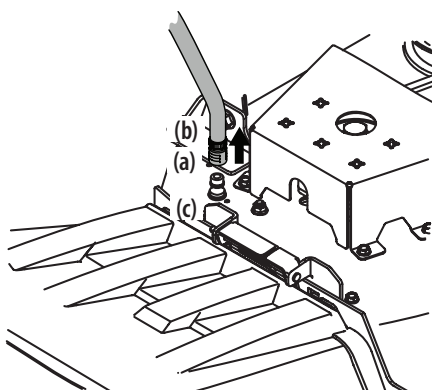


Figure 30

4. Ouvrez le robinet d'eau.
5. À partir du siège de l'opérateur, démarrez le moteur et embrayez la PDF. Laissez tourner le moteur aussi longtemps que nécessaire. Débrayez la PDF et arrêtez le moteur.
6. Fermez le robinet d'eau.
7. Tirez sur le collier d'arrêt de l'adaptateur de buse pour déconnecter l'adaptateur de buse de la buse de nettoyage du plateau.

Nettoyage du tracteur

⚠ AVERTISSEMENT

Si le tracteur a fonctionné récemment, le moteur, le pot d'échappement et les surfaces métalliques avoisinantes seront très chauds et pourront causer des brûlures. Laissez le moteur refroidir pendant au moins cinq minutes. Prenez toutes les précautions nécessaires pour éviter les brûlures.

Vous devez nettoyer votre tracteur après chaque utilisation et dans certaines conditions, par exemple : par temps sec ou en cas de paillage, un nettoyage supplémentaire peut être nécessaire.

L'un des meilleurs moyens de faire fonctionner votre tracteur efficacement et de réduire les risques d'incendie consiste à éliminer régulièrement l'accumulation de débris du tracteur. Suivez les recommandations ci-dessous et communiquez avec votre revendeur agréé si vous avez des questions.

- Laissez refroidir le tracteur pendant au moins cinq minutes dans une zone dégagée avant de le nettoyer.

REMARQUE : L'utilisation d'une laveuse à pression ou d'un boyau d'arrosage n'est pas recommandée pour nettoyer votre tracteur si ce n'est pour nettoyer le dessous du plateau. Cela risque d'endommager les composants électriques, les fusées, les poulies, les roulements ou le moteur. L'utilisation d'eau réduira la durée de vie de l'appareil ainsi que la facilité d'entretien.

- Maintenez les deux côtés des fentes de refroidissement de la transmission, le collecteur d'échappement, les fusibles, tout le câblage et tous les faisceaux de câbles, le tuyau de silencieux, le bouclier du silencieux, les crépines d'aspiration et les ailettes de refroidissement du moteur, etc. à l'écart des déchets de coupe et des feuilles. Consultez la Figure 31.

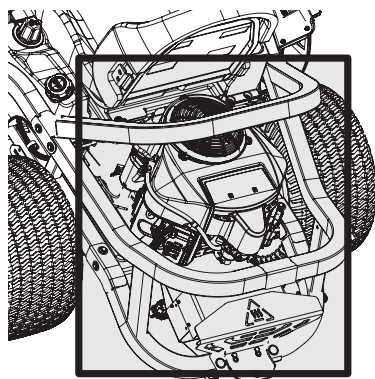


Figure 31

- Nettoyez le dessus du plateau de coupe, sous les protections des fusées et la zone de la courroie. Consultez la Figure 32.

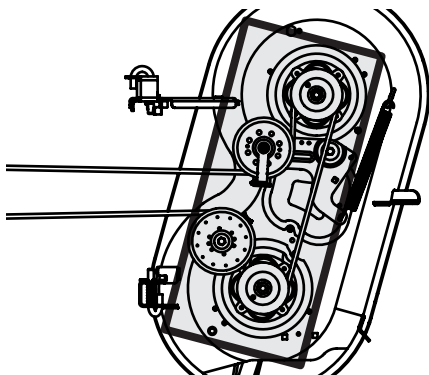
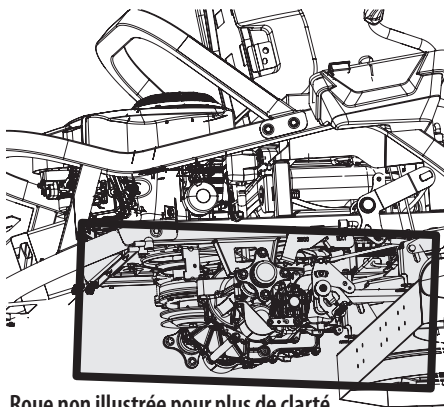


Figure 32

ENTRETIEN ET MAINTENANCE

- Nettoyez autour et près de la zone de la transmission, de l'essieu et du ventilateur. Consultez la Figure 33.



Roue non illustrée pour plus de clarté

Figure 33

- Des débris peuvent s'accumuler n'importe où sur le tracteur, plus particulièrement sur les surfaces horizontales. Un nettoyage supplémentaire peut être nécessaire lorsque vous tondez par temps sec ou en cas de pailleage.
- Les fuites et déversements de carburant ou d'huile et un excès de lubrification peuvent également devenir des sites de ramassage des débris. Une réparation et un nettoyage immédiats des déversements d'huile ou de carburant peuvent réduire les risques d'incendie.
- Outre le nettoyage du tracteur avant de l'utiliser et de le ranger, n'essayez pas de tondre une herbe exceptionnellement haute (25,4 cm (10 po) ou plus), ni de l'herbe sèche (par exemple un pâturage) ni des tas de feuilles sèches. L'herbe sèche ou les feuilles mortes peuvent entrer en contact avec l'échappement du moteur ou s'accumuler sur le plateau de coupe, présentant ainsi un éventuel risque d'incendie.

Rangement du tracteur

- Laissez refroidir le tracteur dans une zone ouverte pendant au moins cinq minutes avant de le ranger.
- Ne stationnez pas le tracteur à proximité de matériaux inflammables (bois, chiffons ou produits chimiques), de flammes nues ou de toute autre source d'inflammation potentielle (chaudière, chauffe-eau ou tout autre type d'appareil de chauffage).
- Enlevez tous les matériaux combustibles du tracteur avant de le ranger. Videz les caissons de chargement, les bacs à herbe ou les conteneurs.
- Fermez toujours l'arrivée de carburant lors du rangement ou du transport, si le tracteur est équipé d'un robinet d'arrêt du carburant.

- Vérifiez le système de carburant (canalisations, réservoir, bouchon et raccords) conformément au programme d'entretien afin de détecter d'éventuelles fissures ou fuites. Réparez et nettoyez, le cas échéant.

Entretien

RETRAIT DU PANNEAU DE PLANCHER (LE CAS ÉCHÉANT)

⚠ AVERTISSEMENT

N'utilisez pas le tracteur lorsque le panneau de plancher est retiré.

Sur certains modèles, il est possible de retirer le panneau de plancher à des fins de maintenance, d'entretien et de nettoyage. Pour retirer le panneau de plancher :

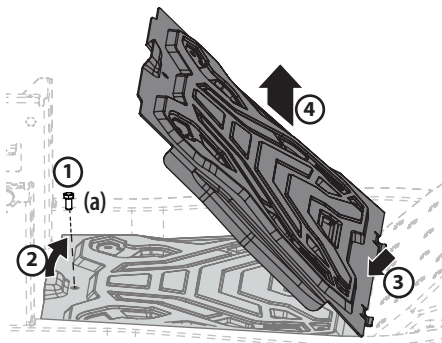


Figure 34

- À l'aide de l'outil multiple (le cas échéant) ou d'une douille de 1,25 cm (1/2 po), retirez la vis à tête hexagonale (a) qui maintient le panneau de plancher en place. Consultez la partie 1 de la Figure 34.
- Soulevez délicatement l'arrière du panneau de plancher. Consultez la partie 2 de la Figure 34.
- Faites glisser le panneau de plancher vers l'arrière pour libérer l'avant du panneau de plancher. Consultez la partie 3 de la Figure 34.
- Soulevez-le et retirez-le du tracteur. Consultez la partie 4 de la Figure 34.
- Pour replacer le panneau de plancher sur le tracteur, remettez-le soigneusement en place et réinstallez la vis hexagonale que vous retirée lors de l'étape 1. Serrez entre 12 et 15 N-m (108 et 132 po-lb).

MOTEUR

⚠ AVERTISSEMENT

Laissez refroidir le tracteur dans une zone ouverte pendant au moins cinq minutes avant de le ranger ou de faire le plein de carburant.

Consultez la notice d'utilisation du moteur en ce qui concerne toutes les procédures et instructions d'entretien du moteur.

ENTRETIEN ET MAINTENANCE

REMARQUE : L'entretien, la réparation et le remplacement de dispositifs et de systèmes antipollution faits aux frais du propriétaire peuvent être effectués par n'importe quel établissement de réparation mécanique ou par n'importe quel mécanicien. Les réparations sous garantie doivent être effectuées par un revendeur agréé.

CHANGEMENT DE L'HUILE MOTEUR

⚠ AVERTISSEMENT

Si le tracteur a fonctionné récemment, le moteur, le pot d'échappement et les surfaces métalliques avoisinantes seront très chauds et pourront causer des brûlures. Laissez le moteur refroidir pendant au moins cinq minutes. Prenez toutes les précautions nécessaires pour éviter les brûlures.

REMARQUE : Il faut remplacer le filtre à huile à chaque intervalle de changement d'huile.

Pour effectuer un changement d'huile, procédez comme suit :

1. Repérez l'orifice de vidange d'huile (a) sur le côté du moteur. Consultez la Figure 35.
2. Placez un récipient de récupération d'huile approprié d'une capacité d'au moins 2,37 litres sous l'ouverture du tuyau de vidange d'huile pour collecter l'huile usagée. Retirez le bouchon de remplissage huile ou la jauge du tube de remplissage d'huile.
3. Tout en maintenant l'extrémité libre du tuyau de vidange d'huile au-dessus du récipient de récupération d'huile, dévissez le bouchon du tuyau à tête carrée (c) de l'extrémité du tuyau de vidange d'huile. Consultez la Figure 35. Vidangez l'huile moteur dans le récipient de récupération d'huile.

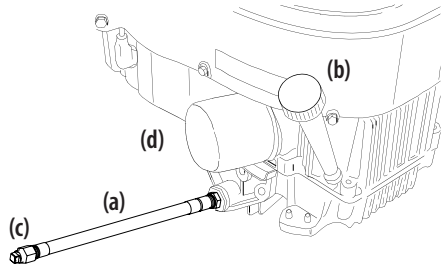


Figure 35

4. Après avoir vidangé l'huile, essuyez toute huile résiduelle du tuyau de vidange d'huile. Vissez le bouchon du tuyau à tête carrée dans le raccord du tuyau de vidange d'huile et serrez le bouchon du tuyau à tête carrée à 22 N-m (16 pi-lb).
5. Retirez le filtre à huile (d) et videz-le dans le récipient de récupération d'huile. Consultez la Figure 35.
6. Remettez le filtre à huile (d) en place, puis remplissez le moteur avec de l'huile neuve comme indiqué dans la notice d'utilisation du moteur. Consultez la Figure 35.

REMARQUE : Placez un chiffon absorbant sous le filtre à huile pour empêcher l'huile de s'écouler sur l'embrayage.

REMARQUE : Respectez les lois et règlements concernant l'élimination des déchets (essence, huile) pour assurer la protection de l'environnement.

REMARQUE : L'entretien, la réparation et le remplacement de dispositifs et de systèmes antipollution faits aux frais du propriétaire peuvent être effectués par n'importe quel établissement de réparation mécanique ou par n'importe quel mécanicien. Les réparations sous garantie doivent être effectuées par un revendeur agréé.

LUBRIFICATION

⚠ AVERTISSEMENT

Avant d'effectuer une lubrification, des réparations ou une inspection, débrayez toujours la PDF, serrez le frein de stationnement, arrêtez le moteur et retirez la clé pour empêcher un démarrage accidentel.

- À l'aide d'une huile de lubrification de qualité, graissez tous les points de lubrification. Consultez le tableau du programme d'entretien du présent manuel pour connaître les intervalles d'entretien corrects.

ENTRETIEN DU PARE-ÉTINCELLES (LE CAS ÉCHÉANT)

Le pare-étincelles doit être inspecté et nettoyé régulièrement (consultez le tableau des intervalles d'entretien du présent manuel). Inspectez visuellement l'écran afin de détecter toute éventuelle déchirure, fil cassé ou soudure instable Remplacez le pare-étincelles en cas de présence d'une de ces conditions. Si l'écran est en bon état, nettoyez-le en éliminant les saletés et les particules de carbone à l'aide d'une brosse.

PNEUS

Maintenez les pneus gonflés aux pressions recommandées. Un gonflage incorrect raccourcira la durée de vie du pneu. Les pressions de gonflage sont indiquées sur le flanc des pneus. Consultez le tableau du programme d'entretien du présent manuel pour connaître les intervalles d'entretien corrects.

Respectez les consignes suivantes :

- Ne gonflez pas les pneus au-dessus de la pression maximale indiquée sur le flanc des pneus.
- Ne regonflez pas un pneu qui a roulé à plat ou qui est sérieusement sous-gonflé. Faites-le inspecter et réparer par un mécanicien qualifié.

TRANSMISSION HYDROSTATIQUE

Votre tracteur à rayon de braquage zéro est équipé de deux pompes ou deux boîtes-pont hydrostatiques. Dans des conditions de fonctionnement normales, il n'est pas nécessaire de vérifier le niveau d'huile dans les vases d'expansion ni d'ajouter de l'huile.

VÉRIFICATION ET AJOUT D'HUILE DE TRANSMISSION

Pour les vidanges d'huile de transmission, veuillez vous adresser à votre concessionnaire agréé.

Remisage hors saison

Si vous n'utilisez pas votre tracteur pendant une longue période (de trente jours ou plus), vous devez préparer le tracteur pour le remisage. Remisez le tracteur dans un endroit sec et protégé. En cas de remisage à l'extérieur, couvrez le tracteur (y compris les pneus) pour le protéger contre les éléments. Vous devez effectuer les procédures décrites ci-dessous chaque fois que le tracteur est remisé.

1. Changez l'huile moteur et le filtre à huile en suivant les instructions fournies dans le présent manuel ainsi que dans le manuel du moteur fourni avec ce tracteur.

⚠ AVERTISSEMENT

Ne remisiez jamais le tracteur avec du carburant dans le réservoir à l'intérieur ou dans des endroits mal aérés où les vapeurs de carburant pourraient atteindre une flamme nue, une étincelle ou une veilleuse comme celle d'une chaudière, d'un chauffe-eau, d'une sècheuse, etc.

2. En cas de remisage du tracteur pendant 30 jours ou plus :
 - a. Pour éviter que des dépôts de gomme se forment dans le carburateur du moteur et causent un mauvais fonctionnement du moteur, vous devez vider complètement le circuit de carburant ou traiter l'essence avec un stabilisateur pour éviter toute détérioration.
 - b. Utilisation d'un stabilisateur de carburant pour un remisage d'une durée de 30 à 90 jours :
 - Lisez les instructions et les recommandations du fabricant du moteur.
 - Ajoutez à de l'essence propre et neuve une bonne quantité de stabilisant pour la capacité (environ 3 gallons) du circuit de carburant.
 - Remplissez le réservoir de carburant avec du carburant traité et faites tourner le moteur pendant deux à trois minutes pour que le carburant stabilisé atteigne le carburateur.
 - Le carburant laissé dans le réservoir se détériore et entraînera de graves problèmes au démarrage.
 - c. Vidange du circuit de carburant pour un remisage d'une durée de plus de 90 jours :
 - Avant de remisier le tracteur, surveillez la consommation de carburant dans l'objectif de vider le réservoir.
 - Faites tourner le moteur jusqu'à ce qu'il commence à caler. Utilisez le volet de départ pour maintenir le moteur en marche jusqu'à l'épuisement de tout le carburant dans le carburateur.
 - Consultez le manuel du moteur pour vidanger le carburant de la cuve du carburateur.

3. Nettoyez soigneusement le moteur et le tracteur.

REMARQUE : L'utilisation d'une laveuse à pression ou d'un boyau d'arrosage n'est pas recommandée pour nettoyer votre tracteur si ce n'est pour nettoyer le dessous du plateau. Cela risque d'endommager les composantes électriques, les fusées, les poulies, les roulements ou le moteur. L'utilisation d'eau réduira la durée de vie de l'appareil ainsi que sa fonctionnalité.

4. Chargez complètement la batterie, puis débranchez le câble négatif pour empêcher une éventuelle décharge. Rechargez régulièrement la batterie lorsque le tracteur est en remisage.

REMARQUE : Retirez la batterie en cas d'exposition à des températures inférieures au point de congélation pendant des périodes prolongées. Rangez-la dans un endroit sec et propre où les températures sont supérieures au point de congélation.

5. Graissez tous les points de lubrification.

Retirer le tracteur de son lieu de stockage

1. Vérifier l'huile moteur.
2. Chargez complètement la batterie et gonflez les pneus à la pression recommandée. Voir la paroi latérale du pneu pour connaître la pression de gonflage appropriée.
3. Remplissez le réservoir avec de l'essence propre et fraîche.
4. Démarrer le moteur et laisser tourner au ralenti pendant quelques minutes pour s'assurer que le moteur fonctionne correctement.
5. Conduire le tracteur sans charge pour s'assurer que tous les systèmes du tracteur fonctionnent correctement.

Réglages

RÉGLAGE DE LA PÉDALE DE LEVAGE DU PLATEAU

1. Placez le plateau de coupe en position de transport.
2. Retirez le boulon hexagonal, la rondelle et l'écrou hexagonal près du centre de la pédale. Voir Figure 36.

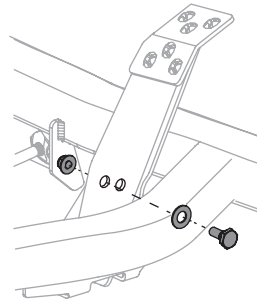


Figure 36

ENTRETIEN ET MAINTENANCE

3. Positionnez la pédale sur la position optimale en fonction des préférences de l'opérateur. Voir Figure 37.

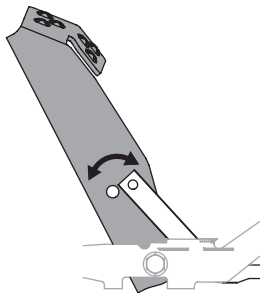


Figure 37

4. Réinstallez le matériel précédemment retiré et serrez l'écrou à 38-47 N·m (28-35 pi·lb). Voir Figure 36 à la page 95.

NIVELLEMENT DU PLATEAU

Si le plateau de coupe paraît tondre de manière inégale, vous devrez peut-être procéder à des réglages du nivellement.

⚠ AVERTISSEMENT

Si le tracteur a fonctionné récemment, le moteur, le pot d'échappement et les surfaces métalliques avoisinantes seront très chauds et pourront causer des brûlures. Laissez le moteur refroidir pendant au moins cinq minutes. Prenez toutes les précautions nécessaires pour éviter les brûlures.

⚠ AVERTISSEMENT

Les lames des tracteurs sont tranchantes. Enveloppez la lame ou portez des gants, et faites preuve d'une prudence accrue lors de l'entretien.

NIVELLEMENT DU PLATEAU (DE CHAQUE CÔTÉ)

1. Placez la poignée ou le bouton de levage du plateau dans une position de tonte intermédiaire, puis faites pivoter les deux lames extérieures pour qu'elles soient perpendiculaires au tracteur.
2. Mesurez la distance entre l'extérieur de l'extrémité gauche de la lame et le sol. Les deux mesures doivent être égales. Si ce n'est pas le cas, passez à l'étape suivante.
3. Localisez les boulons de réglage (a) à gauche et à droite du plateau. Consultez la Figure 38.
4. Desserrez, mais ne retirez pas, les contre-écrous (b) du boulon de réglage. Ajustez le boulon de réglage droit ou gauche vers le haut ou le bas, le cas échéant, jusqu'à ce que les hauteurs de chaque côté soient égales. Consultez la Figure 38.

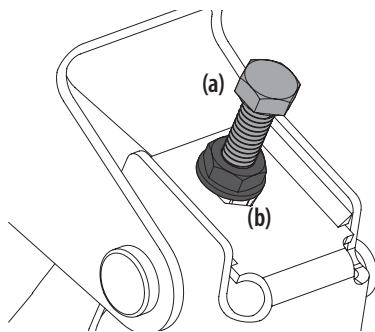


Figure 38

REMARQUE : Continuez à vérifier le nivellement de l'avant vers l'arrière pendant que vous effectuez le réglage de chaque côté, car celui-ci peut modifier le niveau de l'avant vers l'arrière. Le cas échéant, ajustez de l'avant vers l'arrière comme indiqué dans la section suivante.

5. Lorsque le réglage sera correct, resserrez les contre-écrous (b). Serrez à 77 N·m (57 pi·lb).

NIVELLEMENT DU PLATEAU (INCLINAISON DE L'AVANT VERS L'ARRIÈRE)

L'avant du plateau doit être entre 2 et 6 mm (1/16 et 1/4 po) plus bas que l'arrière du plateau. Au besoin, réglez comme suit :

1. Stationnez le tracteur sur une surface stable et horizontale, puis mettez la poignée ou le bouton de levage du plateau dans une position intermédiaire.
2. Faites pivoter la lame la plus proche de la goulotte d'éjection pour qu'elle soit parallèle au tracteur.
3. Mesurez la distance entre l'avant de l'extrémité de la lame et le sol et entre l'arrière de l'extrémité de la lame et le sol. La première mesure prise doit être comprise entre 2 et 6 mm (1/16 et 1/4 po) plus basse que la seconde mesure.
4. Déterminez la distance approximative nécessaire à un réglage correct et continuez, le cas échéant.
5. Pour relever l'avant du plateau, retirez l'embout, desserrez le contre-écrou extérieur (a), puis serrez (vissez à l'intérieur) l'écrou intérieur (b) contre le support de suspension avant. Consultez la Figure 39. Si le réglage est correct, resserrez le contre-écrou extérieur (a) et remettez l'embout en place.

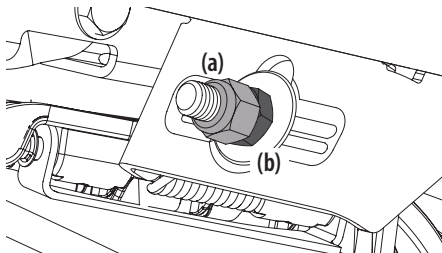


Figure 39

6. Pour **abaisser** l'avant du plateau, retirez l'embout, desserrez le contre-écrou extérieur (a), puis desserrez (vissez à l'extérieur) l'écrou intérieur (b) à l'écart du support de suspension avant. Consultez la Figure 39. Si le réglage est correct, resserrez le contre-écrou extérieur (a) à 77 N·m (57 pi·lb) et remettez l'embout en place.

RÉGLAGE DES ROUES DU PLATEAU

⚠ AVERTISSEMENT

Éloignez vos mains et vos pieds de l'ouverture d'éjection du plateau de coupe.

Les roues du plateau permettent d'éviter d'arracher l'herbe, mais elles ne sont pas conçues pour supporter le poids du plateau de coupe. Les roues du plateau doivent être approximativement de 6,35 à 12,7 mm (de 1/4 à 1/2 po) au-dessus du sol lorsque le plateau est réglé à la hauteur souhaitée. Pour régler les roues du plateau, consultez le chapitre « Assemblage » afin de connaître les instructions.

RÉGLAGE DE LA BUTÉE DU LEVIER DE COMMANDE DE TRANSMISSION DES BARRES DE CONDUITE

Lorsque les deux leviers de commande de transmission des barres de conduite sont complètement déployés vers l'avant jusqu'à la position de pleine vitesse et que le tracteur dévie à gauche ou à droite, il est possible de régler la butée du levier de commande de transmission des barres de conduite pour synchroniser la vitesse des roues. Pour effectuer le réglage, procédez comme suit :

1. Identifiez le côté vers lequel le tracteur dévie, puis réglez le levier de commande de transmission des barres de conduite opposé. Si le tracteur dévie vers la droite, réglez le levier de contrôle de transmission de la barre abdominale gauche (diminution de la vitesse) et vice versa.
2. Localisez les boulons de réglage de la butée du levier de commande de transmission des barres de conduite (a) situés à l'avant du châssis du siège. Consultez la Figure 40.

REMARQUE : Vous pouvez utiliser l'outil multiple (le cas échéant) pour effectuer ce réglage.

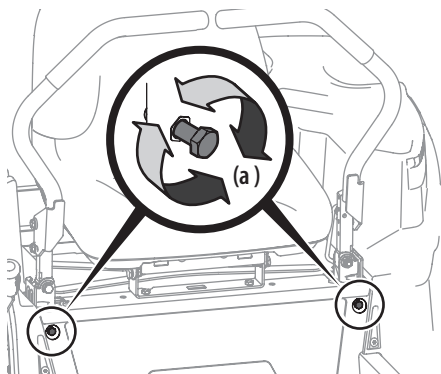


Figure 40

3. Pour diminuer la vitesse en marche avant, tournez les boulons de réglage de la butée du levier de commande de transmission des barres de conduite (a) dans le sens des aiguilles d'une montre. Pour augmenter la vitesse en marche avant, tournez les boulons de réglage de la butée du levier de commande de transmission des barres de conduite (a) en sens inverse des aiguilles d'une montre. Tournez les boulons de réglage de la butée du levier de commande de transmission des barres de conduite (a) dans la direction requise de 1/4 tours à la fois. Après avoir tourné les boulons de réglage de la butée du levier de commande de transmission des barres de conduite (a), vérifiez le réglage en conduisant le tracteur.
4. Poursuivez le réglage jusqu'à ce que la vitesse des roues soit synchronisée et que le tracteur roule droit avec les leviers de commande de transmission des barres de conduite complètement déployés vers l'avant en position de pleine vitesse.

REMARQUE : Assurez-vous que les boulons traversent les écrous du châssis pour activer la fonction de verrouillage.

Entretien

SYSTÈME ÉLECTRIQUE

Un fusible protège le système électrique du tracteur contre les dommages causés par un ampérage trop élevé. Utilisez toujours un fusible de rechange de même calibre. Si le système électrique ne fonctionne pas, recherchez un fusible grillé.

En cas de problème récurrent avec des fusibles grillés, faites vérifier le système électrique de votre tracteur par votre concessionnaire agréé.

RELAIS ET COMMUTATEURS

Le système électrique comporte plusieurs commutateurs de sécurité. Si une fonction du système de verrouillage de sécurité décrite précédemment ne fonctionne pas correctement, faites vérifier le système électrique par votre concessionnaire agréé.

RÉGLAGE DU FREIN DE STATIONNEMENT

Si le tracteur ne s'arrête pas complètement lorsque les leviers de commande sont complètement poussés vers l'extérieur pour activer le frein de stationnement, ou si les roues arrière du tracteur peuvent rouler avec le frein de stationnement activé (et le clapet de décharge hydrostatique ouvert), il faut régler le frein. Faites régler correctement le frein par votre concessionnaire agréé.

DÉPOSE DU PLATEAU DE COUPE

Déposez le plateau de coupe du tracteur comme suit :

1. Déplacez le tracteur sur une surface plane, débrayez la PDF, arrêtez le moteur, placez les leviers de commande de transmission des barres de conduite droit et gauche complètement à l'extérieur dans la position d'activation du frein de stationnement.

ENTRETIEN ET MAINTENANCE

- Il existe deux méthodes pour retirer la courroie : pour retirer la courroie en relâchant la tension de la courroie, passez à l'étape 3, pour retirer la courroie en faisant rouler la courroie hors de la poulie de la PDF, passez à l'étape 4.

⚠ AVERTISSEMENT

Veillez à ne pas vous pincer les doigts lorsque vous faites rouler la courroie hors de la poulie de la PDF.

- Relâchez la tension de la courroie à l'aide du galet tendeur :
 - À l'aide de la poignée de levage du plateau ou de la pédale et du bouton de levage du plateau, élevez-le jusqu'à la position la plus horizontale possible entre les galets tendeurs du plateau et la poulie de la PDF située au bas du moteur. Consultez la Figure 41.

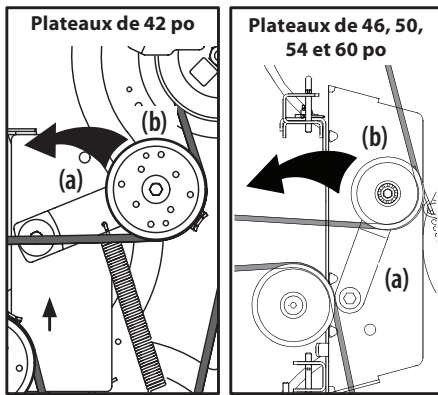


Figure 41

- En partant du milieu du tracteur, faites pivoter le support du galet (a) et le galet tendeur mobile (b) vers l'arrière avec un éloignement suffisant pour soulever la courroie et la faire passer au-dessus de la poulie de fusée. Consultez la Figure 41.
 - Sous l'arrière du tracteur, faites glisser la courroie pour la dégager de la poulie de la PDF située au bas du moteur.
 - Abaissez le plateau jusqu'à la position de coupe la plus basse.
 - Passez directement à l'étape 5.
- Pour faire rouler la courroie hors de la poulie de la PDF :
 - Élevez le plateau jusqu'à la position la plus horizontale possible entre les galets tendeurs du plateau et la poulie de la PDF située au bas du moteur.
 - Assis derrière le tracteur et face à l'avant, tendez votre bras pour saisir la courroie sous le tracteur, située à l'avant de la poulie de la PDF.

- Tirez le côté gauche de la courroie vers l'arrière et vers le bas tout en tournant manuellement la poulie de la PDF vers la droite jusqu'à ce que la courroie se dégage sur le bord du réa inférieur de la poulie.

REMARQUE : Si vous tirez sur le côté droit de la courroie, tournez la poulie vers la gauche.

- Tout en maintenant la courroie de la PDF (a) vers le bas, continuez à faire tourner la poulie de la PDF (b) jusqu'à ce que la courroie de la PDF (a) se déroule de la poulie de la PDF (b). Consultez la Figure 42.

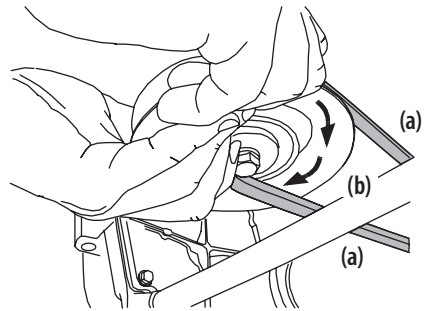


Figure 42

- Abaissez le plateau jusqu'à la position de coupe la plus basse.
- Passez à l'étape 5.

⚠ AVERTISSEMENT

L'élévateur du plateau des tracteurs équipés d'un bouton de levage du plateau est assisté par un ressort et sous tension. Vous pouvez être blessé si l'élévateur du plateau assisté par un ressort est soudainement relâché. Utilisez toujours l'outil multiple pour sécuriser l'élévateur du plateau en place.

- Sur les tracteurs équipés du bouton de levage du plateau, utilisez la pédale et le bouton de levage du plateau pour placer le plateau dans la position la plus basse, puis utilisez l'outil multiple (a) pour verrouiller les composants de l'élévateur du plateau en place, comme indiqué dans la Figure 43. Sur les tracteurs équipés d'une poignée de levage du plateau, abaissez le plateau dans la position la plus basse.

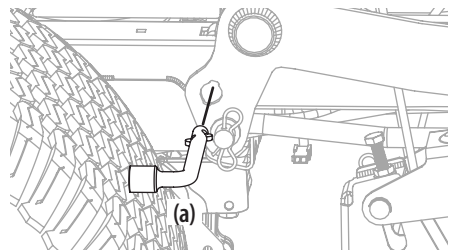


Figure 43

ENTRETIEN ET MAINTENANCE

- a. Retirez les deux goupilles papillon (a) des axes de chape (b) qui fixent les supports du bras de levage (c) aux supports de levage du plateau arrière (d) sur le plateau. Retirez les axes de chape (b). Consultez la Figure 44.

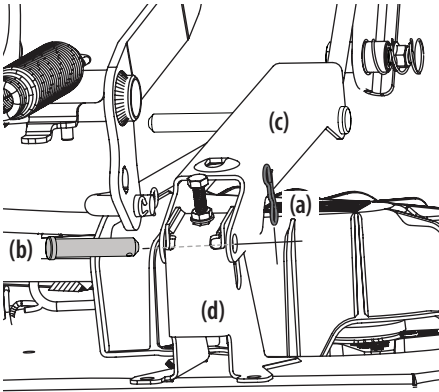


Figure 44

- b. Retirez la troisième goupille papillon (a) de l'axe de chape (b) qui fixe la tige de commande du plateau avant (c) au support de levage du plateau avant (d). Retirez l'axe de chape (b). Consultez la Figure 45.

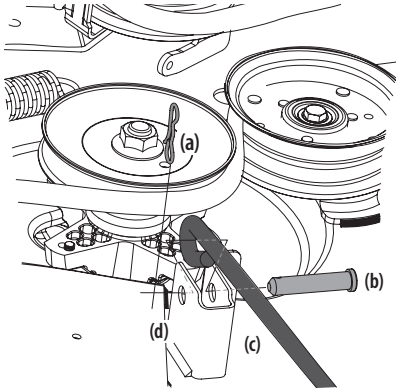


Figure 45

- c. Manœuvrez avec précaution pour extraire le plateau sous le tracteur.

INSTALLATION DU PLATEAU DE COUPE

Installez le plateau de coupe sur le tracteur comme suit :

1. Manipulez avec précaution le plateau sous le tracteur à partir du côté droit en alignant les supports de suspension du plateau et les bras de levage du plateau sur les tracteurs à tige de levage du plateau et à axe goupille de relâchement du plateau et alignez les supports du bras de levage et la tige de commande du plateau avant les supports de levage du plateau sur les tracteurs à trois goupilles.

2. Lorsque le plateau est sous le tracteur, déplacez le plateau jusqu'à la position de coupe la plus basse.

REMARQUE : Pour aligner correctement les supports, il pourrait être nécessaire de placer une petite cale en bois sous chaque côté du plateau.

3. Réinstallez le matériel correspondant à votre tracteur.
4. Assurez-vous que la courroie en « V » est insérée dans les poulies de fusée sur le plateau; puis acheminez la courroie vers l'arrière sous le châssis du tracteur, au-dessus des tubes de transmission, jusqu'à la poulie de la PDF située au bas du moteur.
5. Élevez le plateau jusqu'à la position la plus horizontale possible entre les galets tendeurs du plateau et la poulie de la PDF située au bas du moteur.
6. Assurez-vous que la courroie est insérée dans les poulies de fusée du plateau et que son la face arrière de la courroie est contre les galets tendeurs fixes et mobiles.
7. Assis derrière le tracteur et face à l'avant, assurez-vous que la courroie n'est pas vrillée. Puis tendez votre bras pour saisir la courroie sous le tracteur et tirez-la vers la poulie de la PDF.

⚠ AVERTISSEMENT

Veillez à ne pas vous pincer les doigts lorsque vous faites rouler la courroie sur la poulie de la PDF.

8. Tirez le côté droit de la courroie de la PDF vers l'arrière, puis placez le côté en « V » étroit de la courroie de la PDF dans la poulie de la PDF. Consultez la Figure 42.
9. Tout en tenant ensemble la courroie et la poulie de la PDF, faites tourner la poulie de la PDF vers la gauche (consultez la Figure 42). Continuez à tenir et à faire tourner la poulie et la courroie de la PDF jusqu'à ce que la courroie de la PDF soit complètement enroulée dans la poulie de la PDF.

REMARQUE : Avant d'utiliser le tracteur, faites une seconde vérification du cheminement de la courroie pour être sûr qu'elle est acheminée correctement.

ENTRETIEN ET MAINTENANCE

REPLACEMENT DE LA COURROIE

1. Déposez le plateau sous le tracteur (consultez le chapitre « Dépose du plateau de coupe »).
2. Desserrez, mais ne retirez pas le matériel du galet tendeur droit (a) et gauche (b). Consultez la Figure 46 pour les plateaux de 42 pouces, la Figure 47 pour les plateaux de 46 pouces, la Figure 48 pour les plateaux de 50 et 54, et la Figure 49 pour les plateaux 60 pouces.

REMARQUE : Notez la position des protections de la-courroie (c) pour vous assurer qu'elles sont correctement réinstallées.

REMARQUE : Sur certains plateaux, il peut être nécessaire de retirer les protections de fusée pour retirer et installer la nouvelle courroie. Pour retirer les protections de fusée, retirez les vis qui les fixent au châssis.

3. Retirez soigneusement la courroie des galets tendeurs (a et b) et des poulies de fusée (d).
4. Installez la nouvelle courroie autour des poulies comme illustré, puis réinstallez les protections de la courroie.
5. Placez la courroie autour des galets tendeurs retirés lors de l'étape 3 avec le côté « V » orienté vers l'intérieur. Une fois en place, réinstallez tout le matériel et serrez le contre-écrou à bride pour sécuriser l'ensemble.
6. Acheminez la courroie comme illustré, puis réinstallez le plateau (consultez le chapitre « Installation du plateau de coupe »).

Plateaux de 42 po

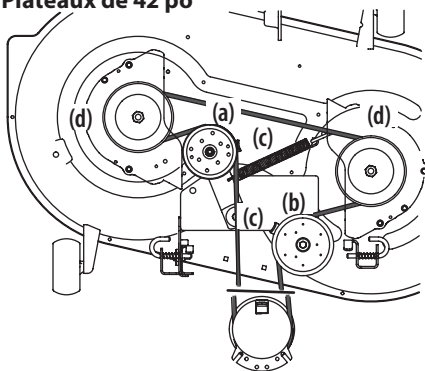


Figure 46

Plateaux de 46 po

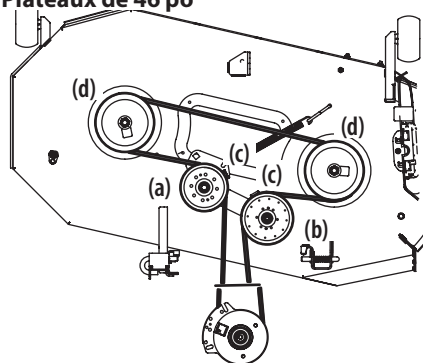


Figure 47

Plateaux de 50/54 po

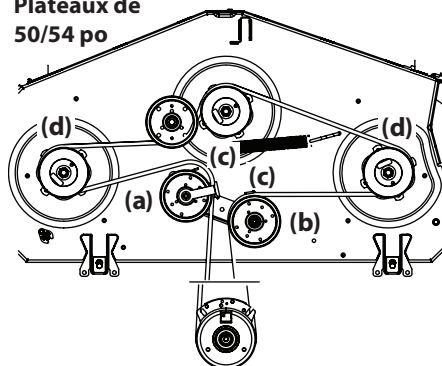


Figure 48

Plateaux de 60 po

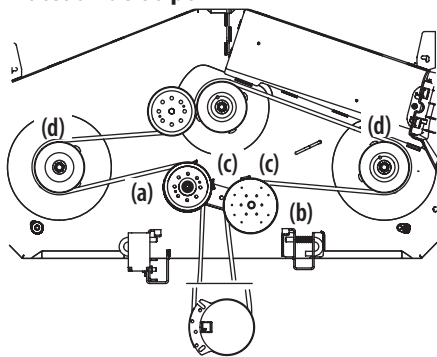


Figure 49

ENTRETIEN ET MAINTENANCE

Entretien de la lame du tracteur

⚠ AVERTISSEMENT

Avant d'effectuer toute opération de maintenance, débrayez la PDM et déplacez les leviers de commande de transmission des barres de conduite complètement à l'extérieur dans la position « Frein de stationnement activé ». Si vous laissez le tracteur sans surveillance, tournez la clé de contact en position ARRÊT et retirez-la. Protégez vos mains à l'aide de gants épais lorsque vous manipulez les lames. Lors de l'entretien du plateau de coupe, veillez à ne pas vous couper avec les lames affûtées.

Les lames de coupe doivent toujours être affûtées. Affûtez les tranchants des lames uniformément afin qu'elles restent équilibrées et conservent le même angle d'affûtage.

Si le tranchant d'une lame a déjà été affûté plusieurs fois, ou s'il y a une fissure dans le métal, il est recommandé d'installer des lames neuves. Des lames neuves sont en vente chez votre concessionnaire autorisé.

SYSTÈME DE LAME EN ÉTOILE (LE CAS ÉCHÉANT)

Vous pouvez déposer les lames comme suit :

1. Déposez le plateau sous le tracteur (consultez le chapitre « Dépose du plateau de coupe ») puis retournez-le avec soin pour exposer le dessous.
2. Utilisez une clé de 15/16 po pour maintenir l'écrou hexagonal au sommet de l'ensemble de la fusée en desserrant l'écrou hexagonal (a) retenant la lame (b). Vous pouvez placer une cale en bois (c) entre le carter du plateau de coupe et le tranchant de la lame (b) pour aider à débloquent l'écrou hexagonal (a) retenant la lame. Consultez la Figure 50.

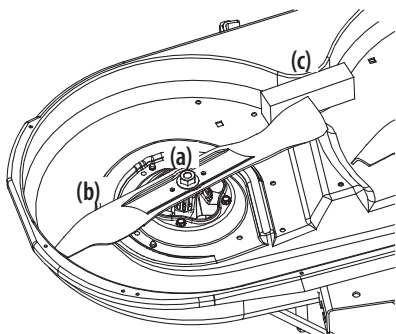


Figure 50

3. Lorsque vous réinstallez les lames, veillez à les installer de façon à ce que les ailettes soient orientées vers le haut, vers le dessus du plateau.
4. Serrez les écrous hexagonaux (a) à 95 à 122 N-m (70-90 pi-lb).
5. Réinstallez le plateau (consultez le chapitre « Installation du plateau de coupe »).

SYSTÈME DE LAME S (LE CAS ÉCHÉANT)

Vous pouvez déposer les lames comme suit :

1. Déposez le plateau sous le tracteur (consultez le chapitre « Dépose du plateau de coupe »), puis retournez-le avec soin pour exposer le dessous.
2. Utilisez une clé de 15/16 po pour maintenir l'écrou hexagonal au sommet de l'ensemble de la fusée en desserrant l'écrou hexagonal (a) et la rondelle (d)* retenant la lame (b). Vous pouvez placer une cale en bois (c) entre le carter du plateau de coupe et le tranchant de la lame (b) pour aider à débloquent l'écrou hexagonal (a) et la rondelle (d)* retenant la lame. Consultez la Figure 51.

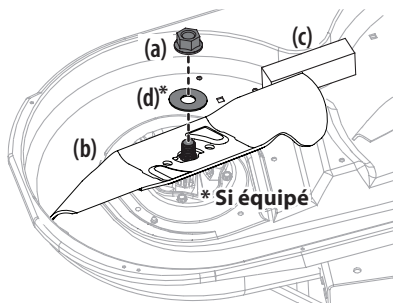


Figure 51

3. Lorsque vous réinstallez les lames, assurez-vous de ce qui suit (consultez la Figure 51):
 - a. Que les lames (b) sont installées de façon à ce que les ailettes soient orientées vers le haut, vers le dessus du plateau.
 - b. Que la rondelle (d)* est placée entre le bas de la lame (b) et l'écrou hexagonal (a).

IMPORTANT! Alignez la découpe en forme de «S» avec la forme correspondante du «S» sur la fusée pour un ajustement sûr.

4. Serrez les écrous hexagonaux (a) à 95 à 122 N-m (70-90 pi-lb).
5. Réinstallez le plateau (consultez le chapitre « Installation du plateau de coupe »).

Changement de la courroie de transmission

Vous devez déposer certaines pièces et utiliser des outils spéciaux pour remplacer la courroie de transmission du tracteur. Communiquez avec votre concessionnaire agréé pour faire remplacer la courroie de transmission.

Oscillation du tracteur

L'oscillation est le léger mouvement du tracteur vers l'avant ou vers l'arrière lorsque le papillon des gaz est activé et que les leviers de commande de la vitesse sont en position neutre. Si votre tracteur oscille, consultez un revendeur agréé.

ENTRETIEN ET MAINTENANCE

Dépannage

AVERTISSEMENT

Avant d'effectuer tout type de maintenance ou d'entretien, désengagez toutes les commandes et arrêtez le moteur. Attendez que toutes les pièces mobiles s'arrêtent complètement. Débranchez le fil de la bougie d'allumage et mettez-le à la terre contre le moteur pour empêcher tout démarrage intempestif. Portez toujours des lunettes de sécurité lors de l'utilisation ou lors de réglages ou de réparations.

Cette section traite des problèmes de service mineurs. Pour localiser le centre de service autorisé le plus proche, consultez le feuillet supplémentaire séparé pour connaître les coordonnées.

PROBLÈME	CAUSE	SOLUTION
Le moteur ne démarre pas	<ol style="list-style-type: none">1. Bouton de la prise de force/lame en prise.2. Frein de stationnement déclenché.3. Le fil de la bougie est débranché.4. La manette de commande des gaz n'est pas en position de démarrage.5. Réservoir vide ou essence éventée.6. La conduite ou le filtre d'essence est bloqué.7. La bougie est défectueuse.8. Moteur noyé.9. Fusible grillé.	<ol style="list-style-type: none">1. Placez le bouton à la position (OFF) déclenchée.2. Enclenchez le frein de stationnement.3. Branchez le fil de la bougie.4. Placez la manette de commande des gaz en position rapide (FAST).5. Faites le plein avec de l'essence propre et fraîche. (Vieille de moins de trente jours).6. Remplacez la conduite d'essence. Consultez un centre de service qualifié. Remplacez le filtre à carburant.7. Nettoyez, réglez l'écartement ou remplacez la bougie.8. Lancer le moteur avec l'accélérateur en position rapide (FAST).9. Remplacez le fusible.
Le moteur tourne de manière erratique	<ol style="list-style-type: none">1. Tondeuse autoportée en marche avec démarreur activé.2. Le fil de la bougie est desserré.3. Conduite d'essence bloquée ou essence éventée.4. L'évent du bouchon du réservoir est bouché.5. De l'eau ou une saleté est présente dans le système.6. Filtre à air sale.	<ol style="list-style-type: none">1. Assurez-vous que le démarreur électrique fonctionne. Consultez un centre de service qualifié.2. Branchez et serrez le fil de la bougie.3. Remplacez la conduite d'essence. Consultez un centre de service qualifié. Faites le plein avec une essence propre et fraîche et remplacez le filtre à essence.4. Dégagez l'évent ou remplacez le capuchon s'il est endommagé.5. Vidangez le réservoir à carburant. Faites le plein avec une essence propre et fraîche.6. Nettoyez ou remplacez l'élément en papier du filtre à air ou nettoyez le préfiltre en mousse.

ENTRETIEN ET MAINTENANCE

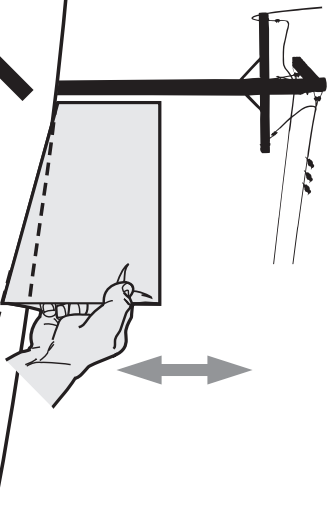
PROBLÈME	CAUSE	SOLUTION
Le moteur surchauffe	<ol style="list-style-type: none"> 1. Le niveau d'huile moteur est bas. 2. La circulation d'air est entravée. 	<ol style="list-style-type: none"> 1. Remplissez le moteur de la bonne quantité et du bon type d'huile. 2. Nettoyez l'herbe coupée et les débris autour des ailettes de refroidissement du moteur et du carter du souffleur.
Le moteur hésite à haut régime	<ol style="list-style-type: none"> 1. L'écartement de la bougie est trop refermé. 	<ol style="list-style-type: none"> 1. Retirez la bougie et réglez l'écartement.
Le moteur tourne mal	<ol style="list-style-type: none"> 1. Bougie d'allumage encrassée. 2. Filtre à air sale. 	<ol style="list-style-type: none"> 1. Remplacez la bougie et réglez l'écartement. 2. Nettoyez ou remplacez l'élément du filtre à air ou le préfiltre.
Vibration excessive	<ol style="list-style-type: none"> 1. La lame est desserrée ou mal équilibrée. 2. Lame endommagée, émoussée ou courbée. 	<ol style="list-style-type: none"> 1. Serrez la lame et l'adaptateur. Équilibrez la lame. 2. Remplacez la lame.
La coupe est irrégulière	<ol style="list-style-type: none"> 1. Le plateau de coupe n'est pas nivelé correctement. 2. La lame est émoussée. 3. Pression inégale des pneus. 	<ol style="list-style-type: none"> 1. Effectuez un réglage latéral du plateau de coupe. 2. Aiguissez ou remplacez la lame. 3. Vérifiez la pression des quatre pneus.

SLOPE GAUGE (INDICADOR DE PENDIENTE) (INCLINOMÈTRE)



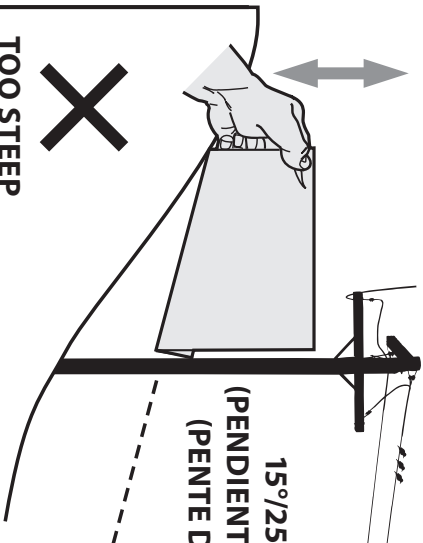
OK

15°/25% SLOPE
(PENDIENTE DE 15°/25%)
(PENDE DE 15°/25 %)



TOO STEEP
(DEMASIADO EMPINADA)
(PENDE TROP RAIDE)

15°/25% SLOPE
(PENDIENTE DE 15°/25%)
(PENDE DE 15°/25 %)



15°/25% DASHED LINE
(LÍNEA DE GUIONES A 15°/25%)
(PENDE DE 15°/25 %)

