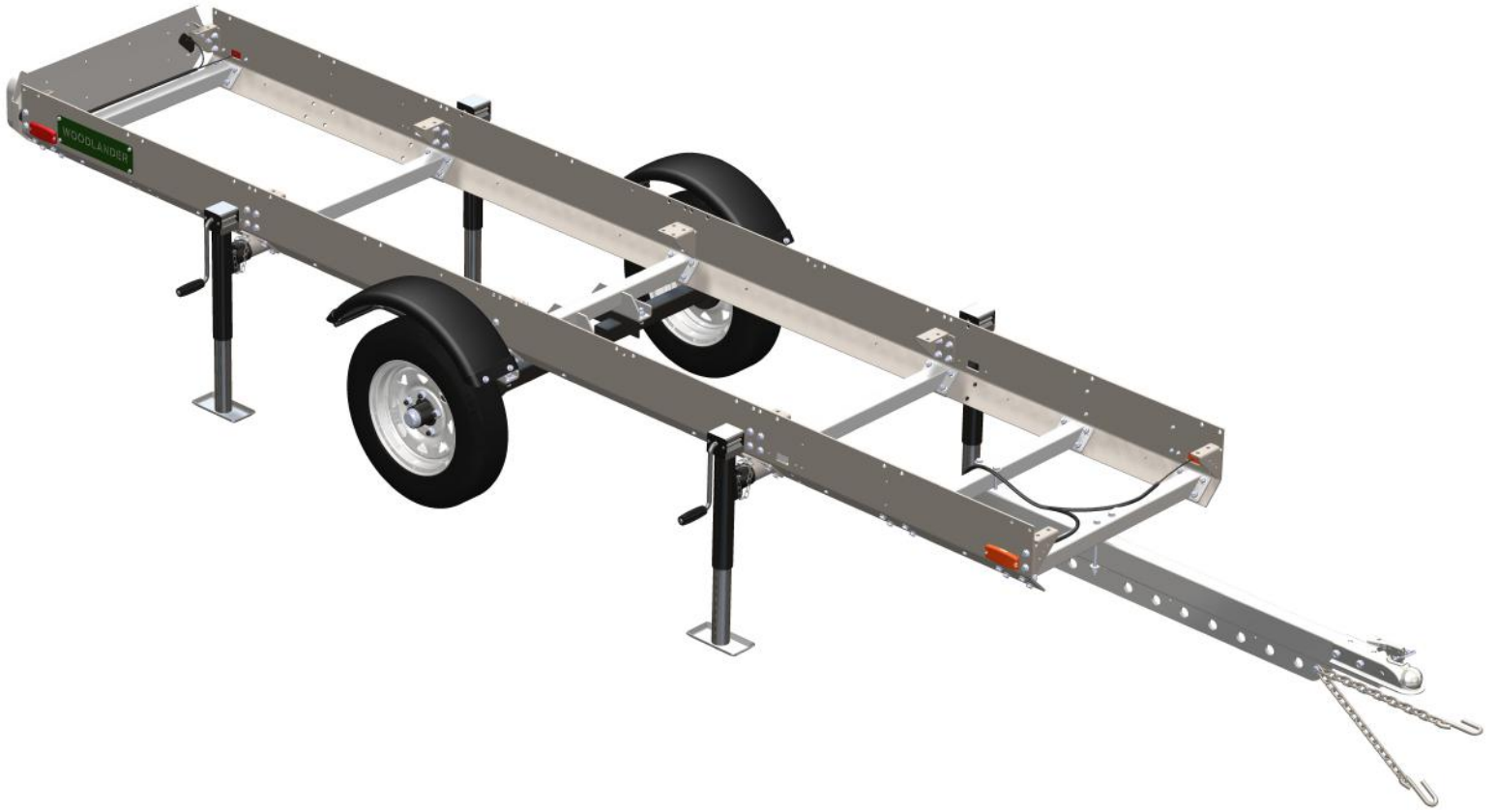


# WOODLANDER™ SAWMILL TRAILER



## OPERATOR'S MANUAL

WDLR-MY2020: Rev A  
Publication Date: 27-Sep-2019



The Woodlander™ is compatible with HM126, HM130 & HM130MAX sawmills. Woodlander™ is a trademark of Woodland Mills, Inc.

This page intentionally left blank.



## TABLE OF CONTENTS

<b>TABLE OF CONTENTS</b>	<b>1</b>
<b>INTRODUCTION</b>	<b>3</b>
<b>GENERAL SAFETY RULES</b>	<b>4</b>
<b>INSPECTION/MAINTENANCE</b>	<b>4</b>
<b>TECHNICAL SPECIFICATIONS</b>	<b>5</b>
BOLT TORQUE SPECIFICATIONS	5
<b>TRAILER ASSEMBLY</b>	<b>6</b>
1. TOOLS REQUIRED	6
2. UNPACKING	7
3. GUSSETS	8
4. SIDE PLATES	10
5. FRONT AND REAR CROSS BEAMS	13
6. BOLT TORQUING AND JACK STANDS	15
7. INNER CROSS BEAMS AND JACK MOUNTS	16
8. AXLE MOUNTS AND AXLE CROSS BEAM	19
9. AXLES	21
10. TONGUE AND COUPLER	23
11. LIGHTING	25
12. BADGES	28
13. HEAD LOCK-DOWN PLATES	30
14. WHEELS	33
15. FENDERS	34
16. SAFETY CHAIN	36
<b>NORTH AMERICAN PARTS LIST</b>	<b>37</b>
<b>EUROPEAN PARTS LIST</b>	<b>39</b>
<b>EXPLODED ASSEMBLY VIEWS</b>	<b>41</b>
COMPLETE ASSEMBLY	41



CHASSIS AND TRACK _____	42
TONGUE _____	43
NORTH AMERICA _____	43
EUROPE _____	43
AXLES, WHEELS, AND FENDERS _____	44
LIGHTING _____	45
NORTH AMERICA _____	45
EUROPE _____	46
BADGES _____	47
HEAD LOCK-DOWN PLATES _____	48
<b>NOTES _____</b>	<b>49</b>





## INTRODUCTION

Congratulations on your purchase and welcome to Woodland Mills! This manual gives you the necessary information about your Woodlander™ sawmill trailer so you will be able to use it properly. The entire manual must be read and understood before using the trailer. If any questions should arise that are not covered by this manual, please contact Woodland Mills, Inc.

### OWNER'S RECORD

Please take a moment to record the following information about your Woodlander™ sawmill trailer. If you need to call for assistance, please be ready to provide your model and serial numbers. This information will allow us to help you more quickly when you call.

#### MODEL NUMBER

#### SERIAL NUMBER

#### DATE OF PURCHASE

The Woodlander™ sawmill trailer is compatible with HM126, HM130 & HM130MAX sawmill and track systems for milling logs while the trailer is stationary and firmly supported on the ground. It is not intended to carry any additional weight or be used as a utility trailer.

The Woodlander™ sawmill trailer is designed for certain applications only. We strongly recommend the trailer not be modified and/or used for any application other than that for which it was designed. If you have any questions relative to a particular application, DO NOT use the trailer until you have first contacted Woodland Mills to determine if it can or should be performed using the product.

For technical questions and replacement parts, please contact Woodland Mills, Inc.



## **\*\*SAVE THESE INSTRUCTIONS\*\***

### **GENERAL SAFETY RULES**



#### **WARNING!**

Read and understand all instructions. Failure to follow all instructions listed below may result serious injury.



#### **WARNING!**

The warnings, cautions, and instructions discussed in this instruction manual cannot cover all possible conditions or situations that could occur. It must be understood by the operator that common sense and caution are factors which cannot be built into this product but must be supplied by the operator.

### **INSPECTION/MAINTENANCE**

- Check the tires before all trips. Make sure they are inflated to the pressure shown on the tire.
- Grease the axle bearings every 3 months or 1000 miles (1600 km), whichever comes first.
- Check the tow hitch ball coupler. Make sure it is not damaged.
- Check the wheel lug nuts before all trips. Make sure they are torqued properly.
- Check the lights. Make sure all the lights work properly. Replace any lights that do not work.
- Inspect trailer before all trips for any damaged or loose parts.



## TECHNICAL SPECIFICATIONS

Item	Specification
Trailer Axle	Independent Torsion Axle Design
Trailer Wheels	5 Bolts @ 4.5" (114 mm) & 5.30-12 DOT Approved Tires
Tire Pressure	Refer to Tire
Wheel Nut Torque	80 ft•lb / 110 N•m
Trailer Ball Coupler	2" / 50 mm
Trailer Lights	LED Light Kit (stop, turn, tail, side markers, and license plate light)
Finish	Powder Coat Paint / Galvanized Steel
Fenders	Removable
Safety	Locking pins and safety straps to secure sawhead while travelling

## BOLT TORQUE SPECIFICATIONS

Bolt (Thread Size)	Torque
M5	78 in•lb / 9 N•m
M6	133 in•lb / 15 N•m
M8	333 in•lb / 38 N•m
M10	53 ft•lb / 72 N•m
M12	93 ft•lb / 126 N•m



## TRAILER ASSEMBLY

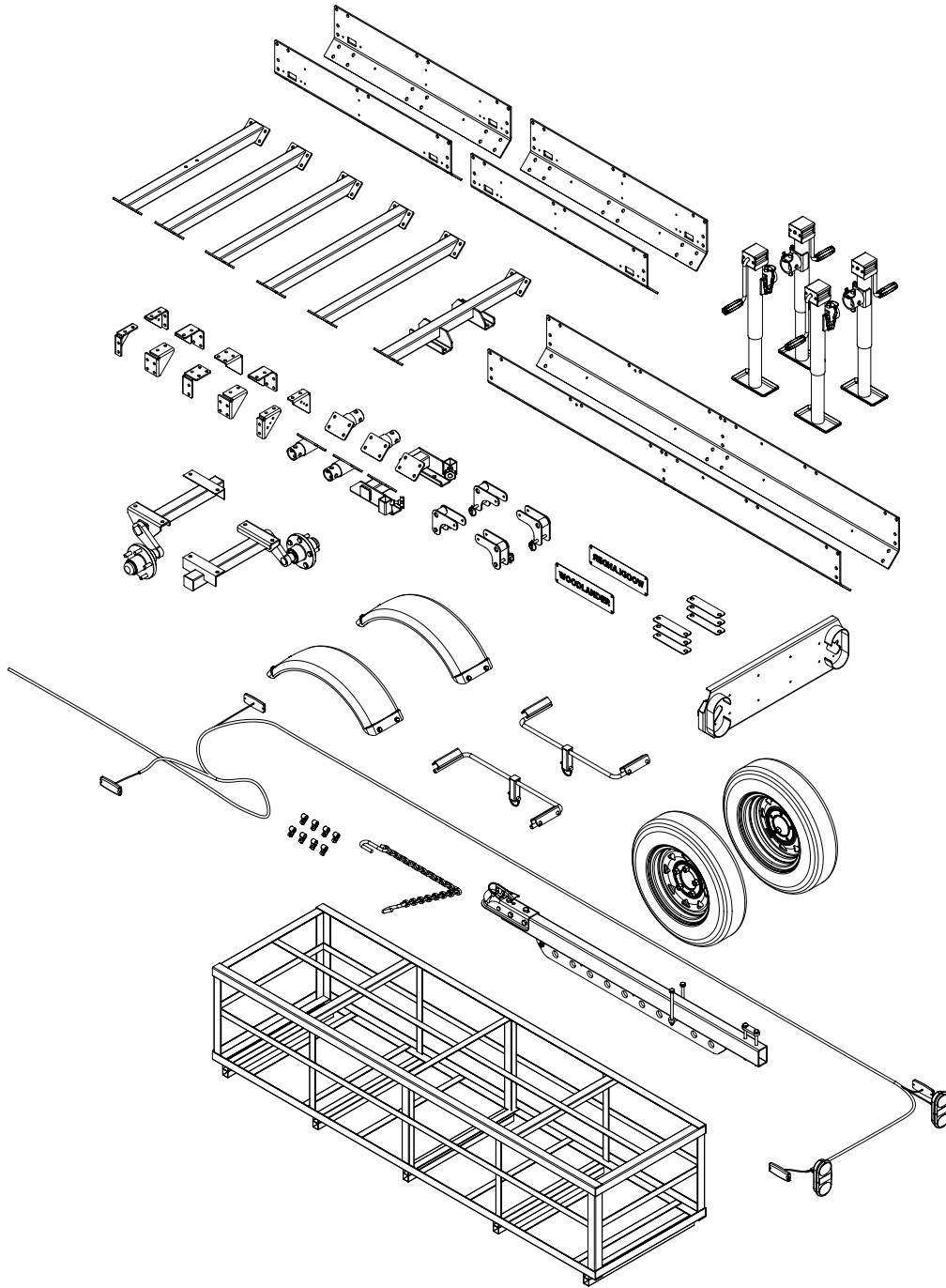
### 1. TOOLS REQUIRED

Tool	Specification
Phillips Head Screwdriver	No. 3
Wrench/Socket	8 mm
Wrench/Socket	9 mm
Wrench/Socket	10 mm
Wrench/Socket	13 mm
Wrench/Socket	14 mm
Wrench/Socket	15 mm
Wrench/Socket	18 mm
Adjustable Wrench	Variable
Torque Wrench	Capable of 93 ft•lb (126 N•m)
Drill	Corded or cordless



## 2. UNPACKING

Remove all the parts from the steel crate. Set the crate aside as it will be used as a support for several of the following steps.

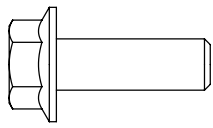
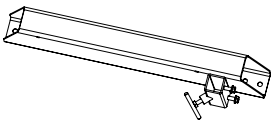
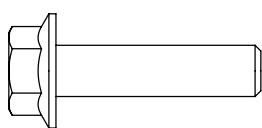
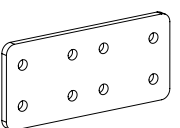
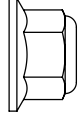
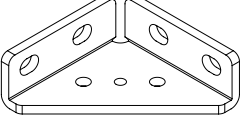

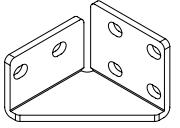
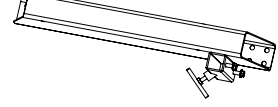
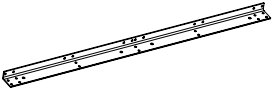




### 3. GUSSETS

Using the hardware listed below, assemble the gussets to the track as shown on the next page.

Ensure the track width is set correctly (see track widths on next page), and measure diagonally to check for squareness. Torque all bolts per the table in section, ***BOLT TORQUE SPECIFICATIONS***.

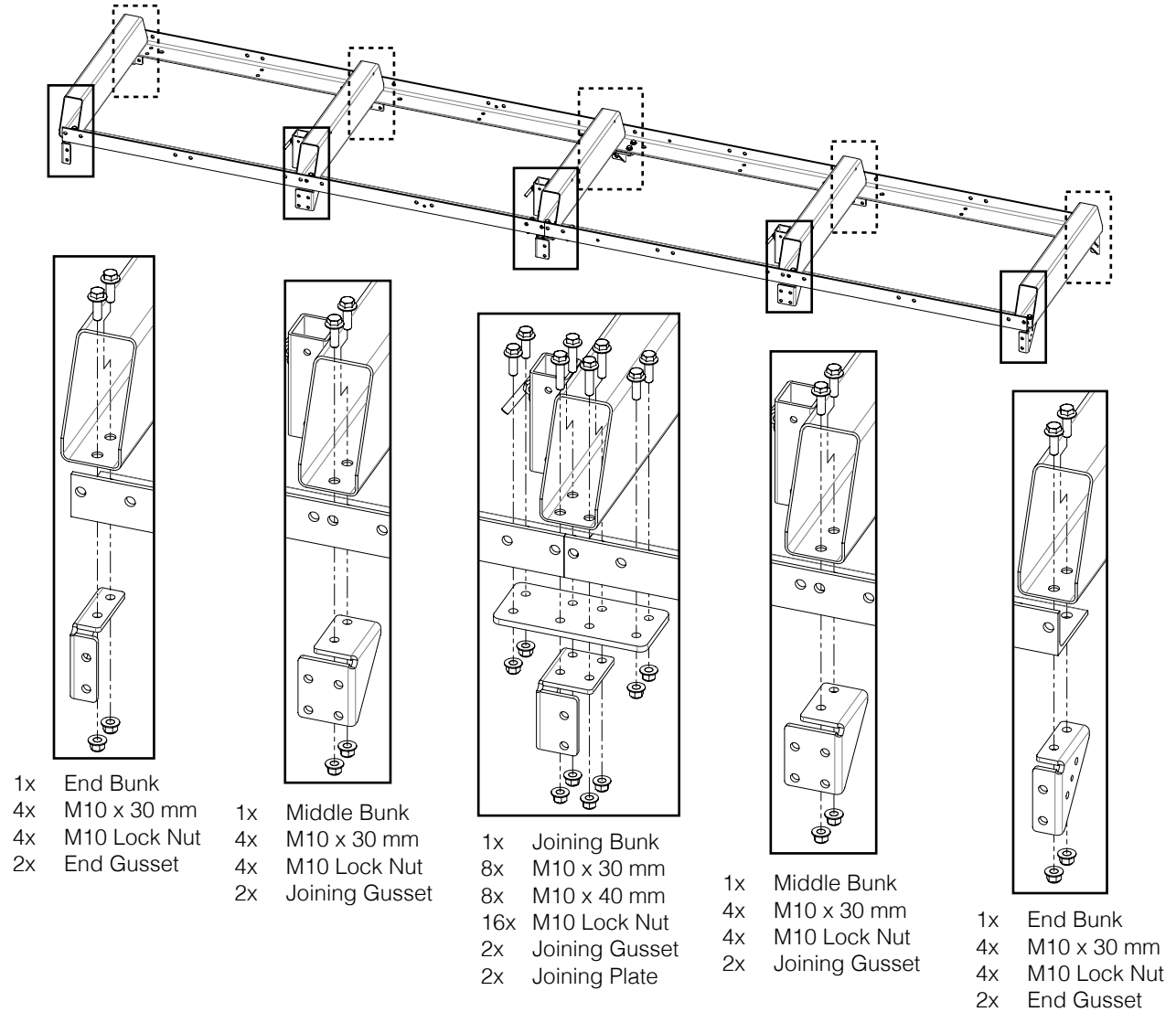
24x	M10 X 30 mm Flanged Hex Bolt		2x	Middle Bunk	
8x	M10 X 40 mm Flanged Hex Bolt		2x	Joining Plate	
32x	M10 Flanged Lock Nut		4x	End Gusset	
2x	End Bunk		6x	Joining Gusset	
1x	Joining Bunk		4x	Track Rail	

Track components listed in these tables are *not* included with the trailer package, namely track rails, joining plates, bunks, and carriage stops. These components are found in the sawmill crate. If the trailer was purchased for an existing sawmill (i.e. the sawmill is currently assembled), the track will need to be disassembled prior to building the trailer and the following assembly instructions performed.

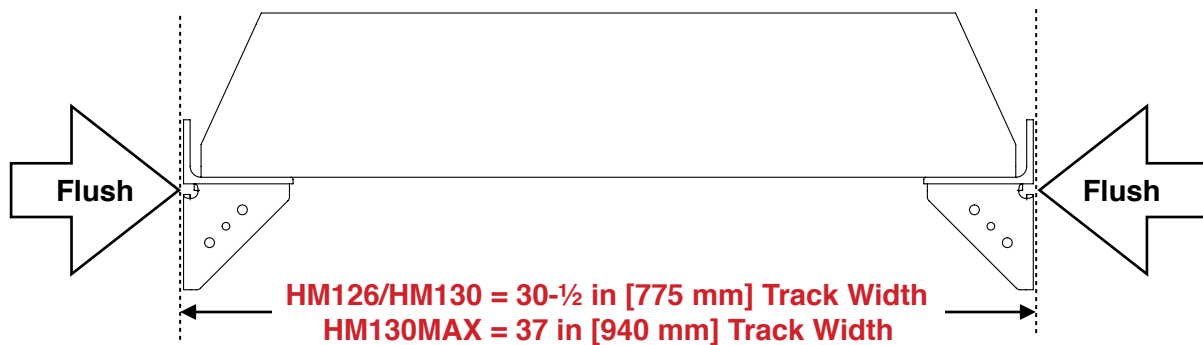


**Use the fasteners included with the sawmill trailer to assemble the track. The fasteners included with the sawmill track will *not* be used.**





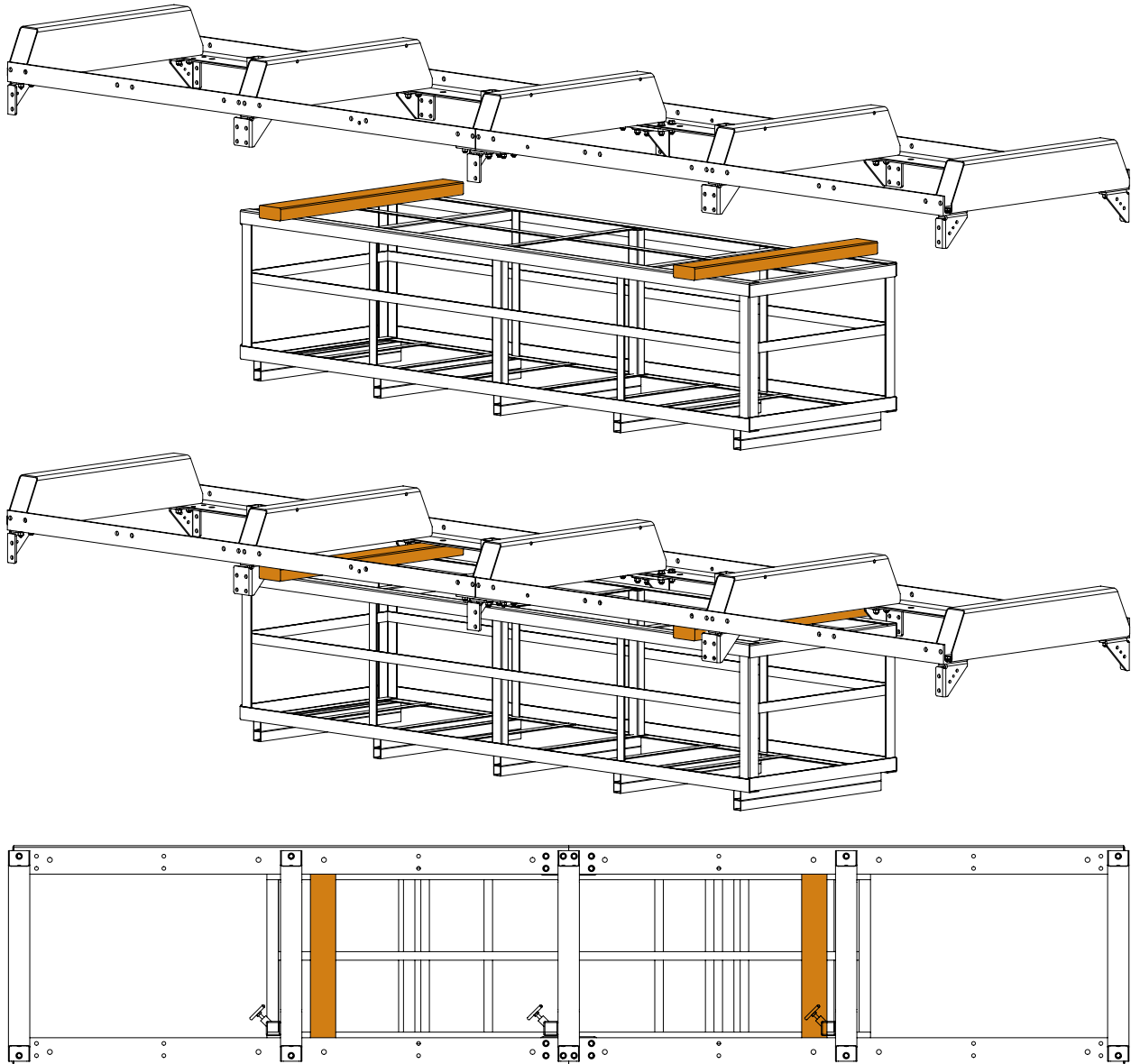
The above steps need to be completed on both left and right sides of the track. Make sure the gussets are flush with the outside face of the track rails as shown below.





## 4. SIDE PLATES

Using the shipping crate as an assembly aid, lay two (2) 2X4s across the top the crate near each end. Position the track/gusset assembly on the 2X4s, ensuring it is centred end-to-end. The 2X4s need to be long enough to support the track rails but shorter than the track is wide.

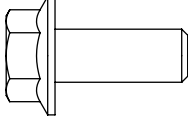
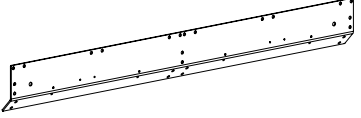
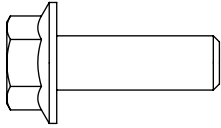
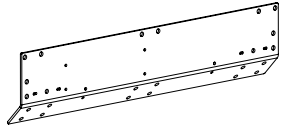

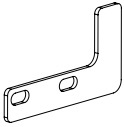


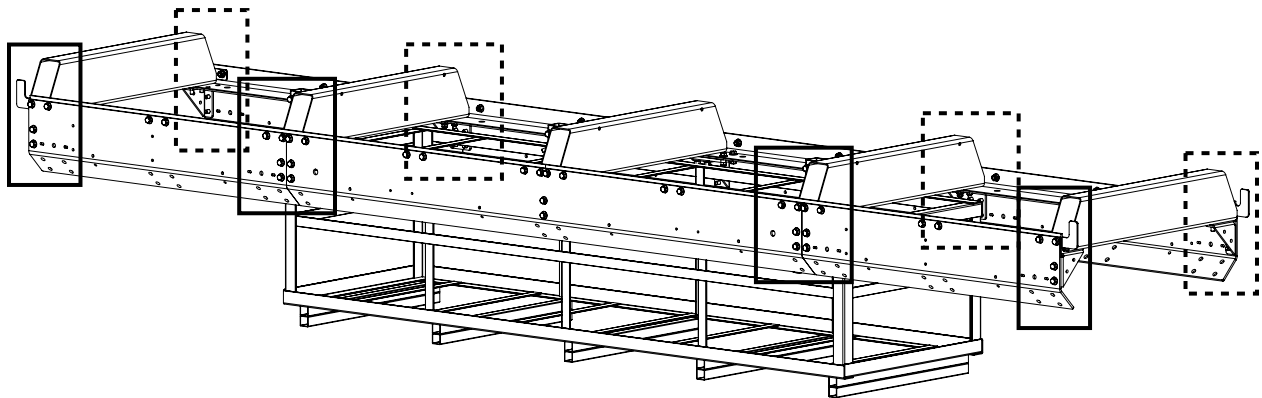
**For either the HM126 or HM130, use 30 in [762 mm] long 2X4s. Use 36 in [914 mm] long 2X4s for the HM130MAX.**

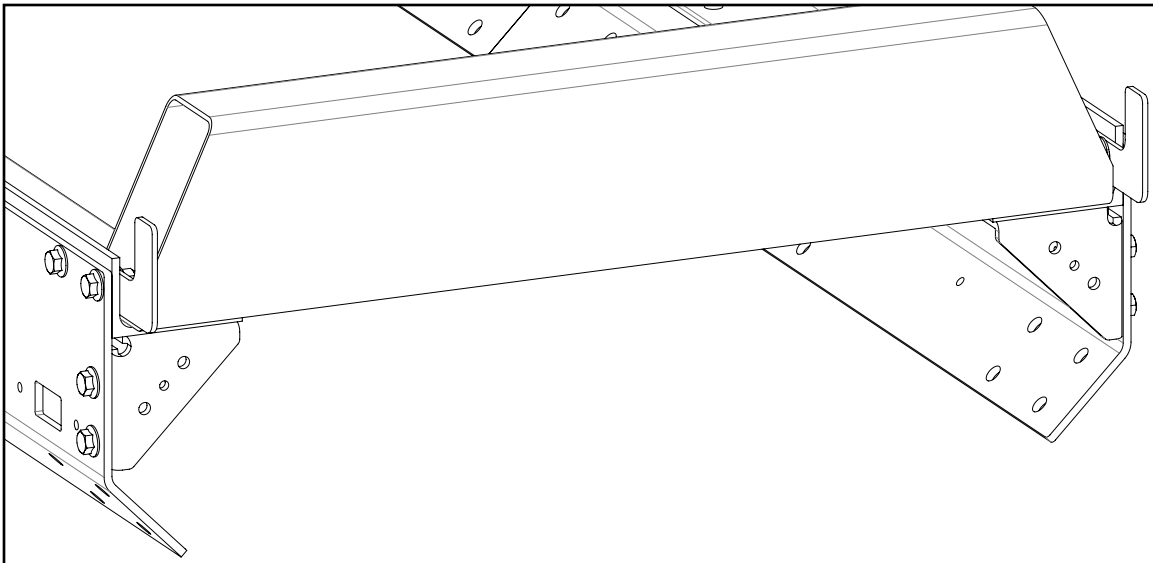
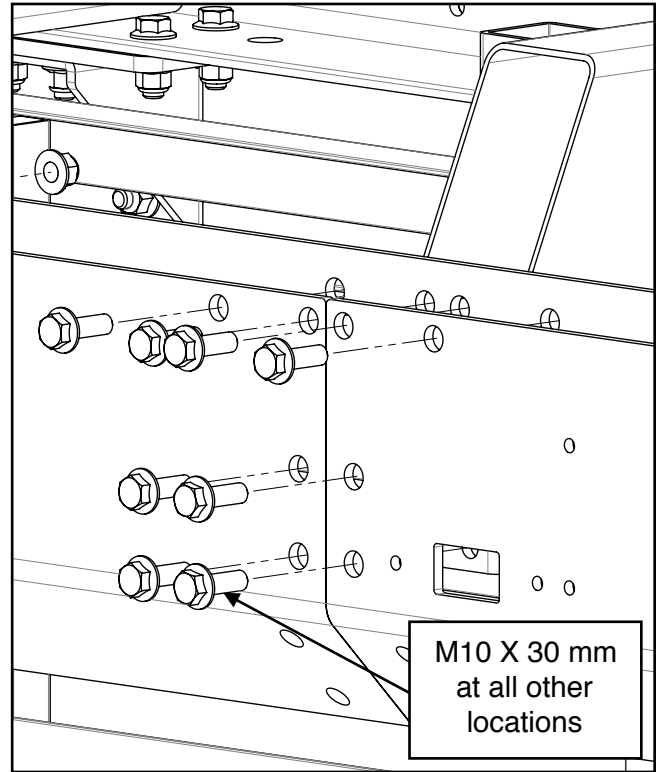
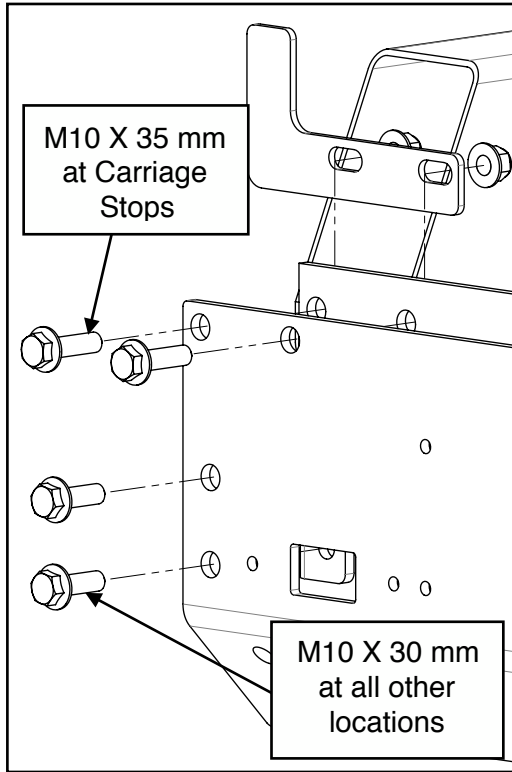




Using the hardware listed below, hang the side plates using the M10 X 30 mm and M10 X 35 mm bolts. Do not tighten these bolts. The eight (8) M10 X 35 mm bolts are used with the carriage stops. The M10 X 30 mm bolts are used everywhere else.

68x	M10 X 30 mm Flanged Hex Bolt		2x	Long Side Plate	
8x	M10 X 35 mm Flanged Hex Bolt		4x	Short Side Plate	
76x	M10 Flanged Lock Nut		4x	Carriage Stop	

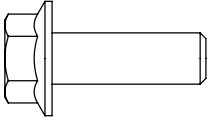
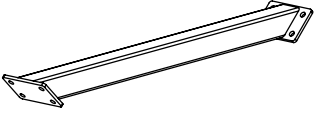
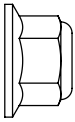
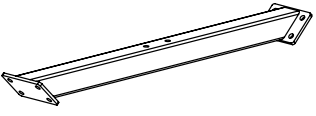


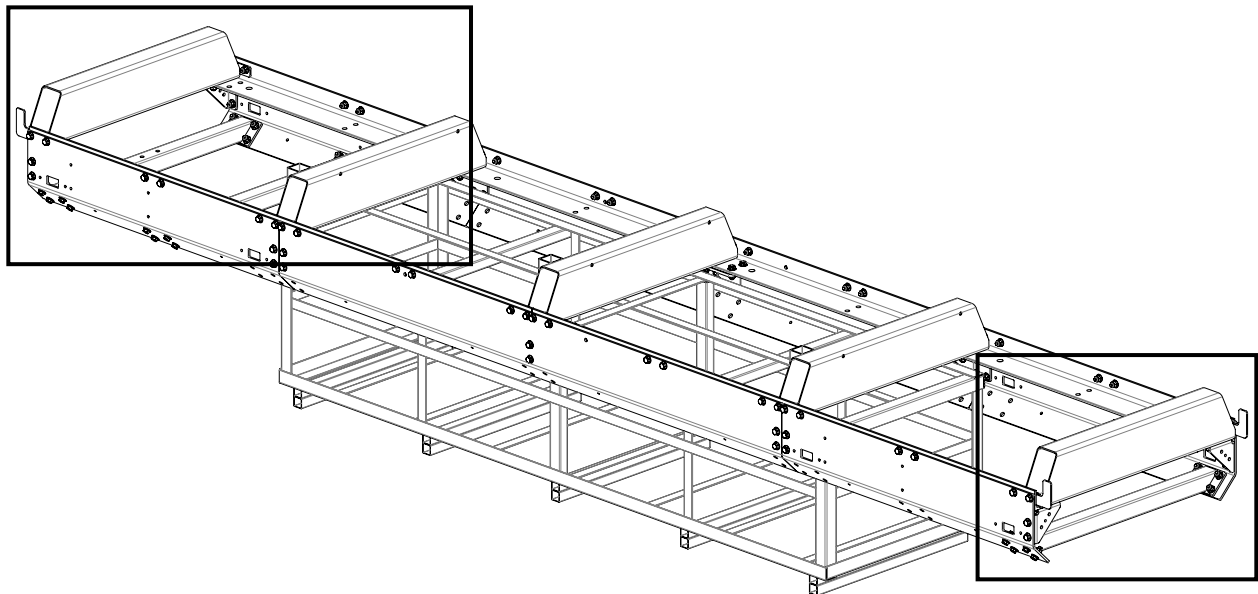


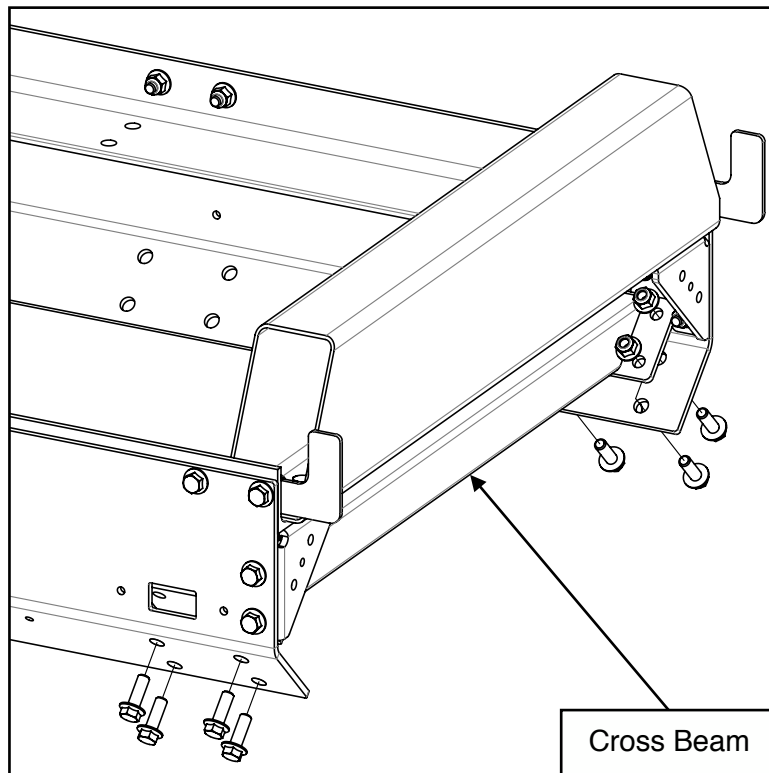
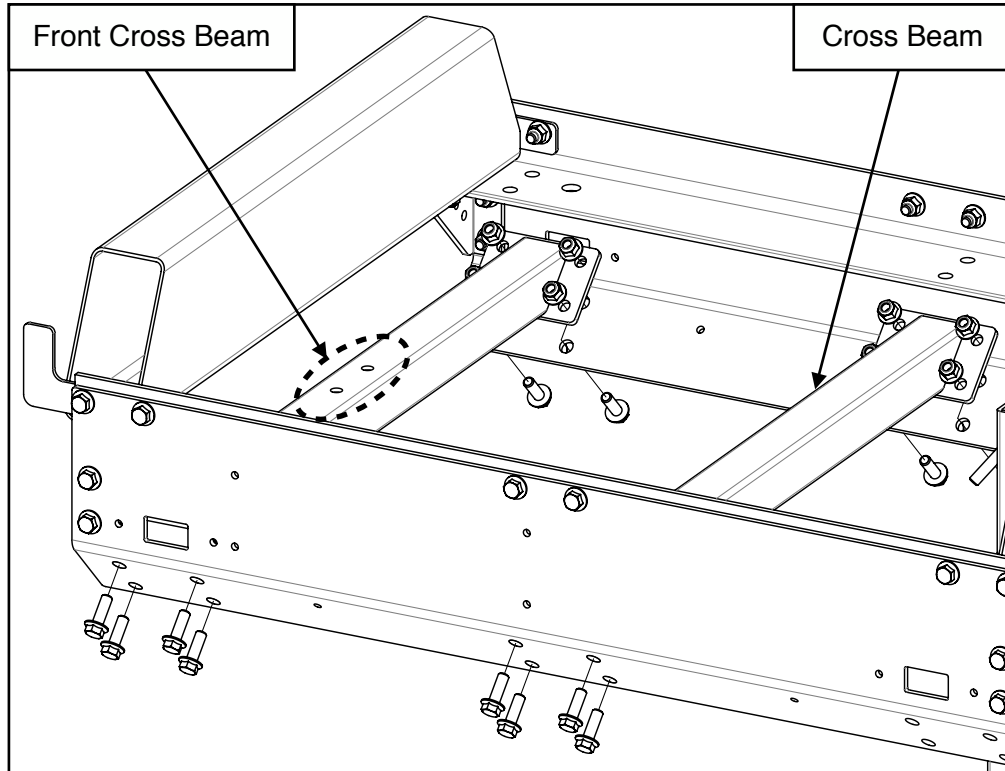


## 5. FRONT AND REAR CROSS BEAMS

Using the hardware listed below, install the front and rear cross beams (2 front, 1 rear). Ensure the cross beam with the two holes is assembled at the front. Do not tighten these bolts.

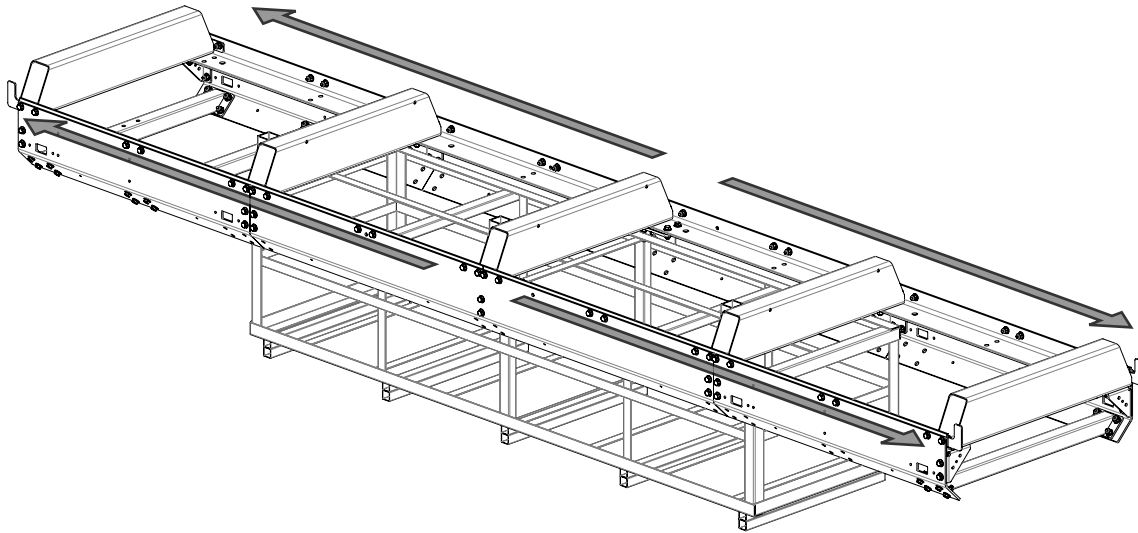
24x	M10 X 30 mm Flanged Hex Bolt		2x	Cross Beam	
24x	M10 Flanged Lock Nut		1x	Front Cross Beam	



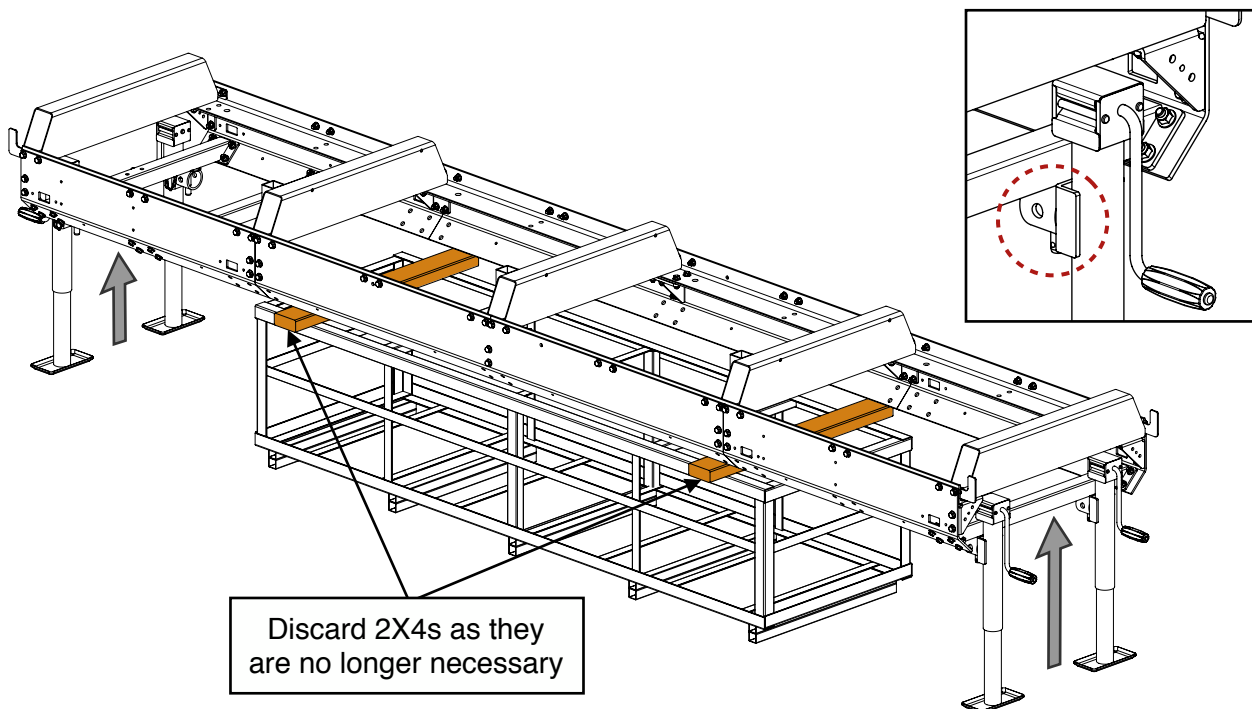


## 6. BOLT TORQUING AND JACK STANDS

Torque all bolts per the table in section, ***BOLT TORQUE SPECIFICATIONS***, starting from the centre and working towards the outer ends. Ensure the track is straight, level, and square during this procedure.




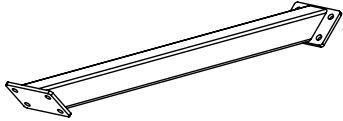
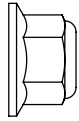
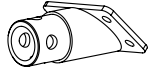
Position the jack stand receivers under the front and rear *cross beams* as shown below and raise the assembly until the side plates are above the crate. Discard the two (2) 2X4s.

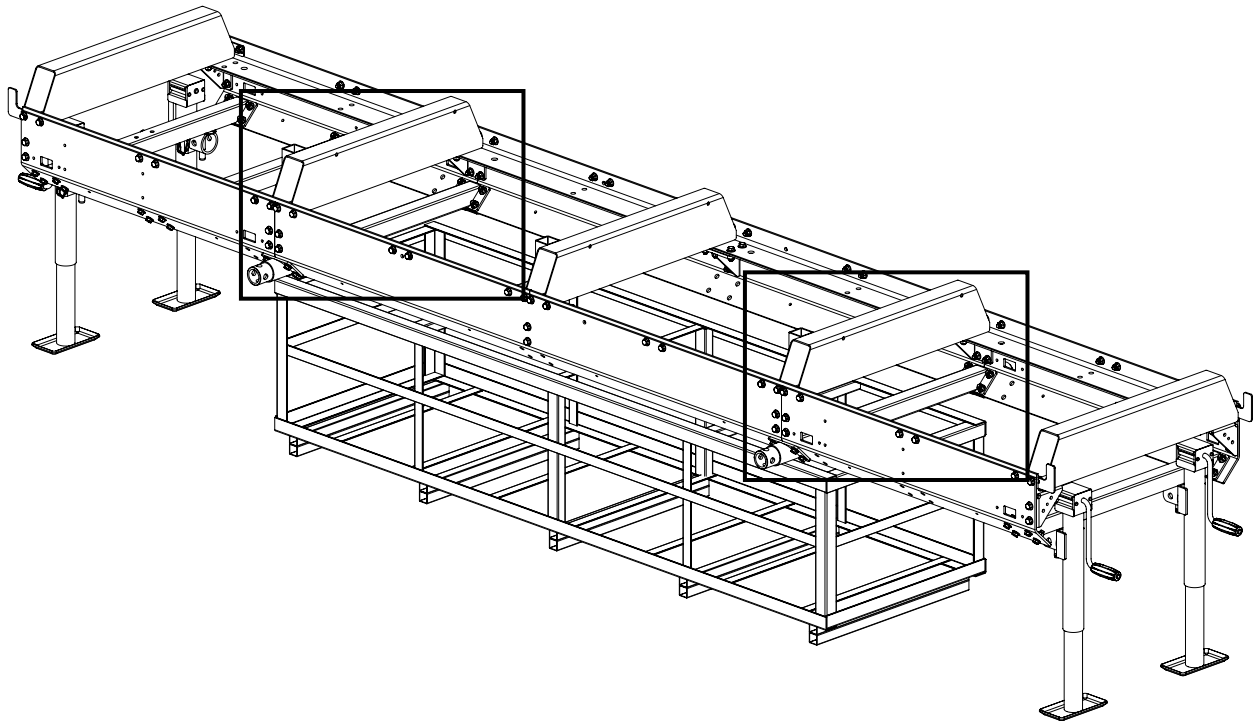


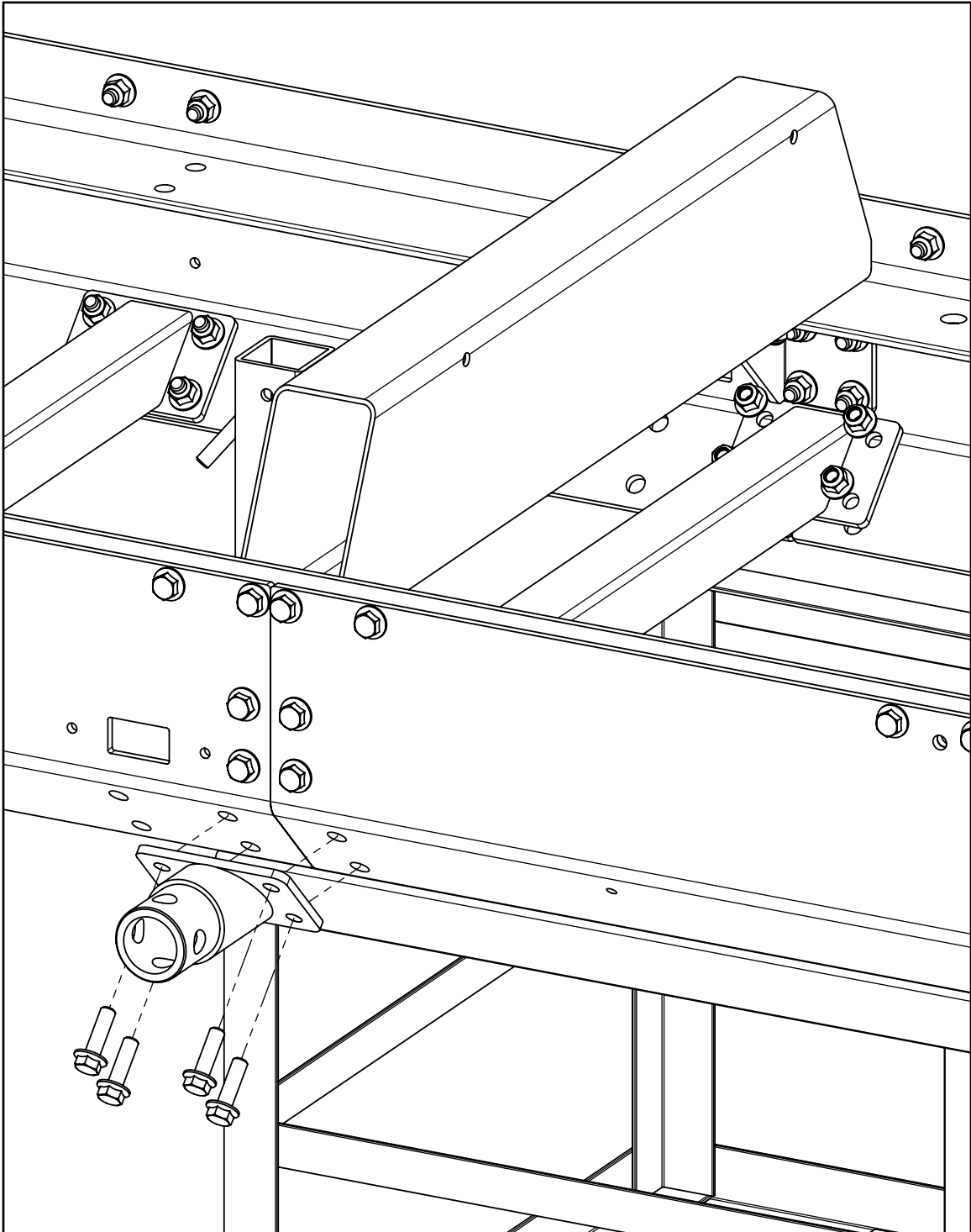


## 7. INNER CROSS BEAMS AND JACK MOUNTS

Using the hardware listed below, install the 2 remaining cross beams and 4 jack mounts. Torque all the bolts per the table in section ***BOLT TORQUE SPECIFICATIONS***.

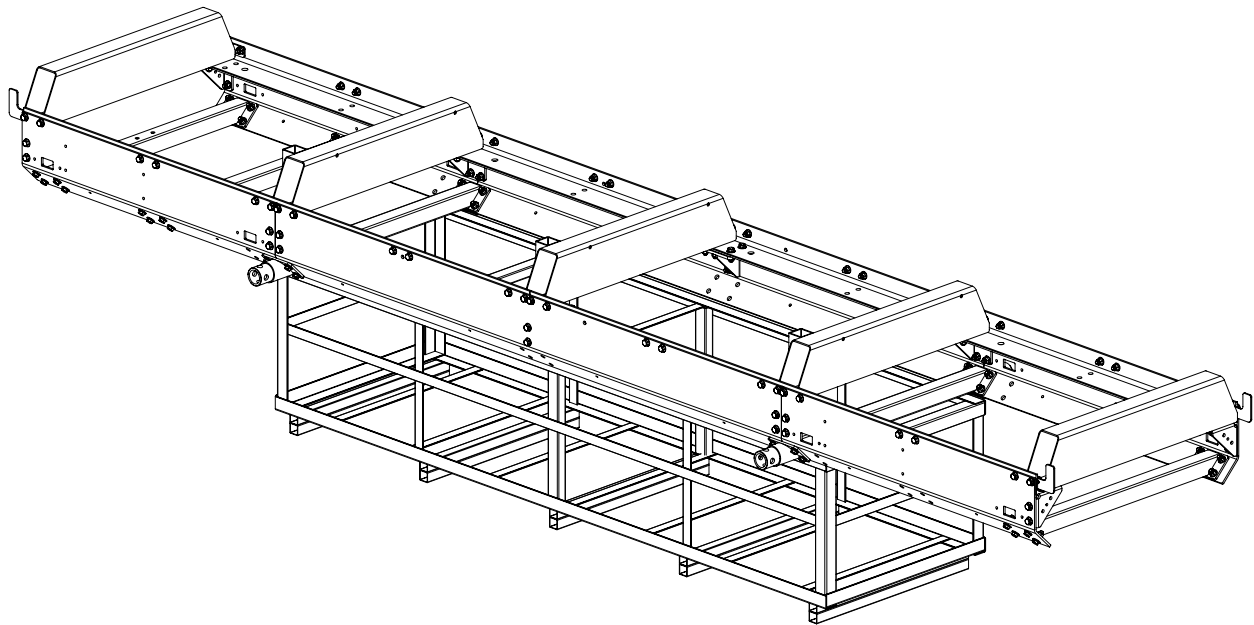
16x	M10 X 35 mm Flanged Hex Bolt		2x	Cross Beam	
16x	M10 Flanged Lock Nut		4x	Jack Mount	



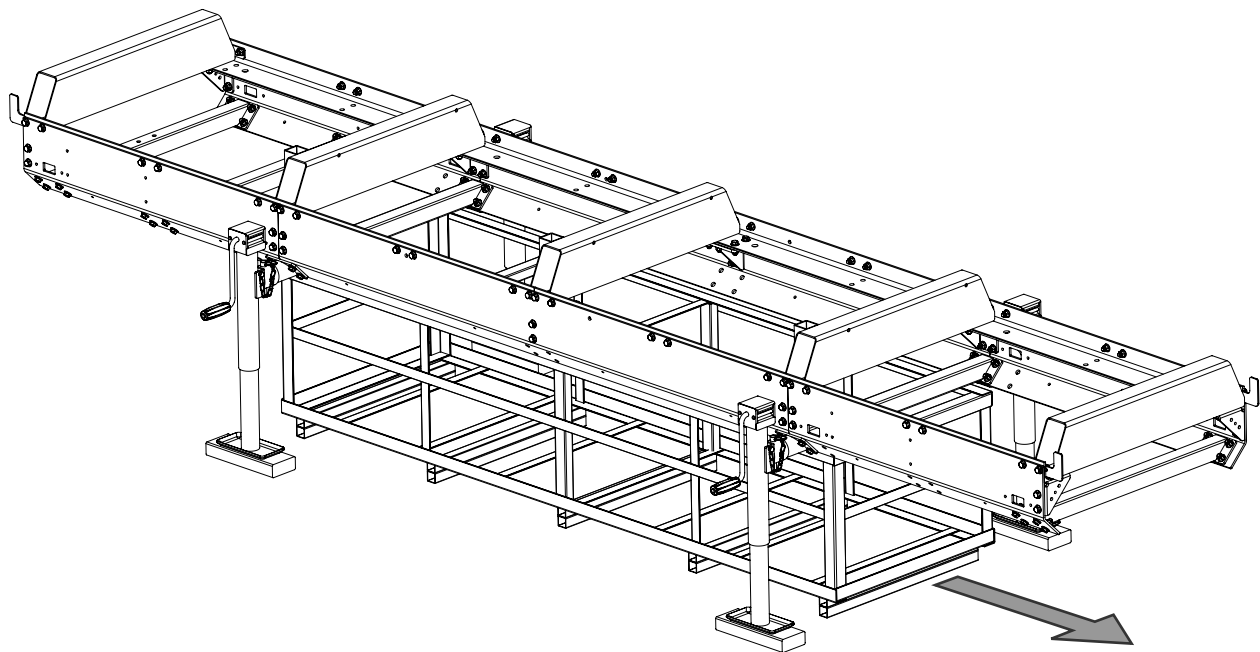




Next, lower the trailer until the cross beams are resting on the crate.



Slide the jacks onto the jack mounts and secure them with the locking pins. Raise the jacks up to slide the crate out from under the trailer assembly. Place blocks of wood underneath each jack if necessary to achieve the required clearance.

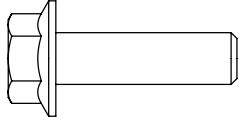
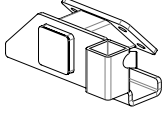
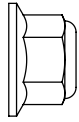
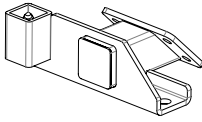
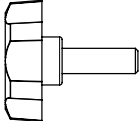
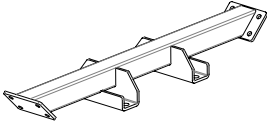


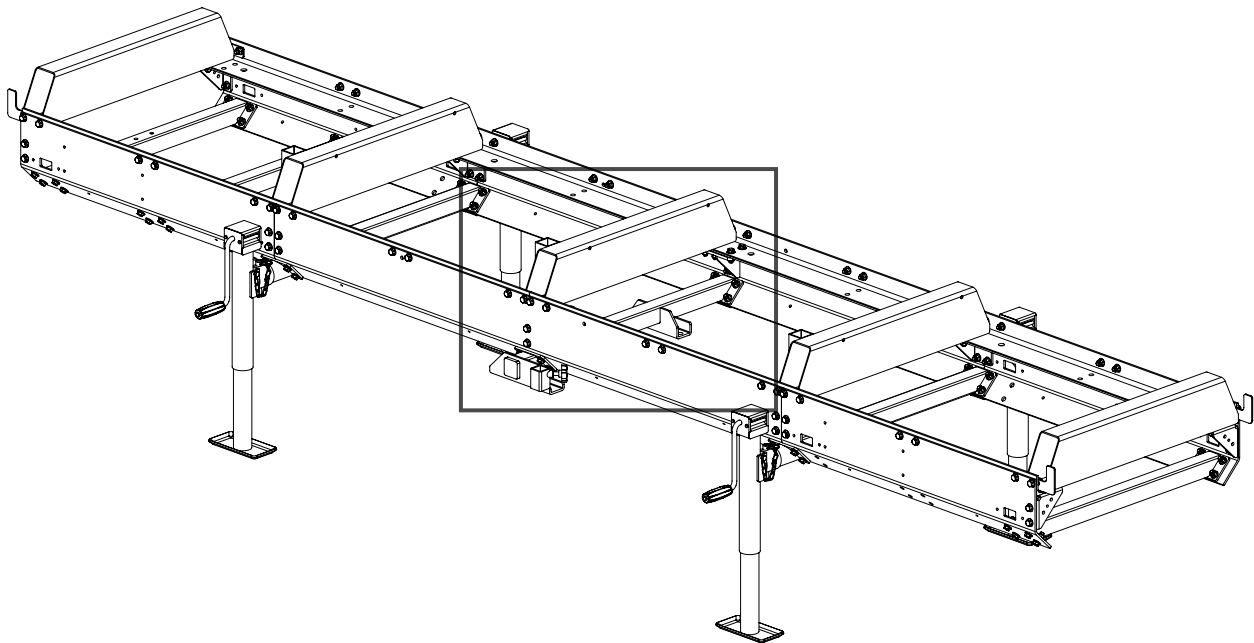


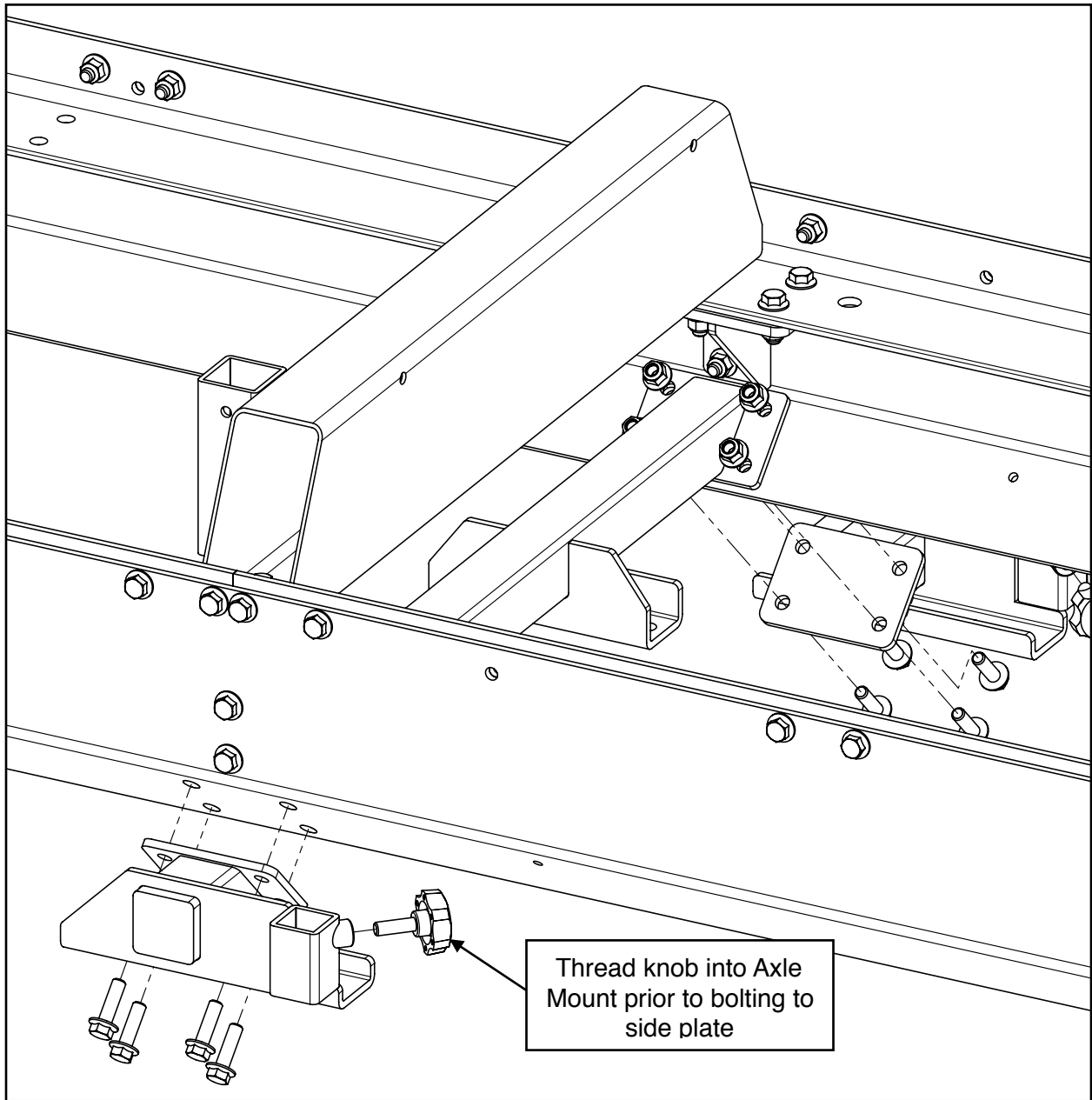


## 8. AXLE MOUNTS AND AXLE CROSS BEAM

Using the hardware listed below, install the axle mount cross beam and left/right axle mounts with fender adapter as shown. Tighten these bolts.

8x	M10 X 35 mm Flanged Hex Bolt		1x	Axle Mount w/ Fender Adapter [Left]	
8x	M10 Flanged Lock Nut		1x	Axle Mount w/ Fender Adapter [Right]	
2x	M10 X 30 mm Knob		1x	Axle Mount Cross Beam	

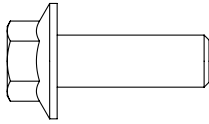
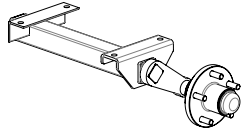
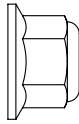
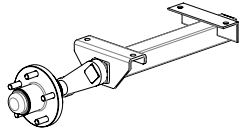
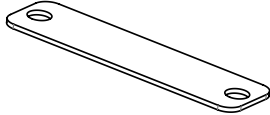


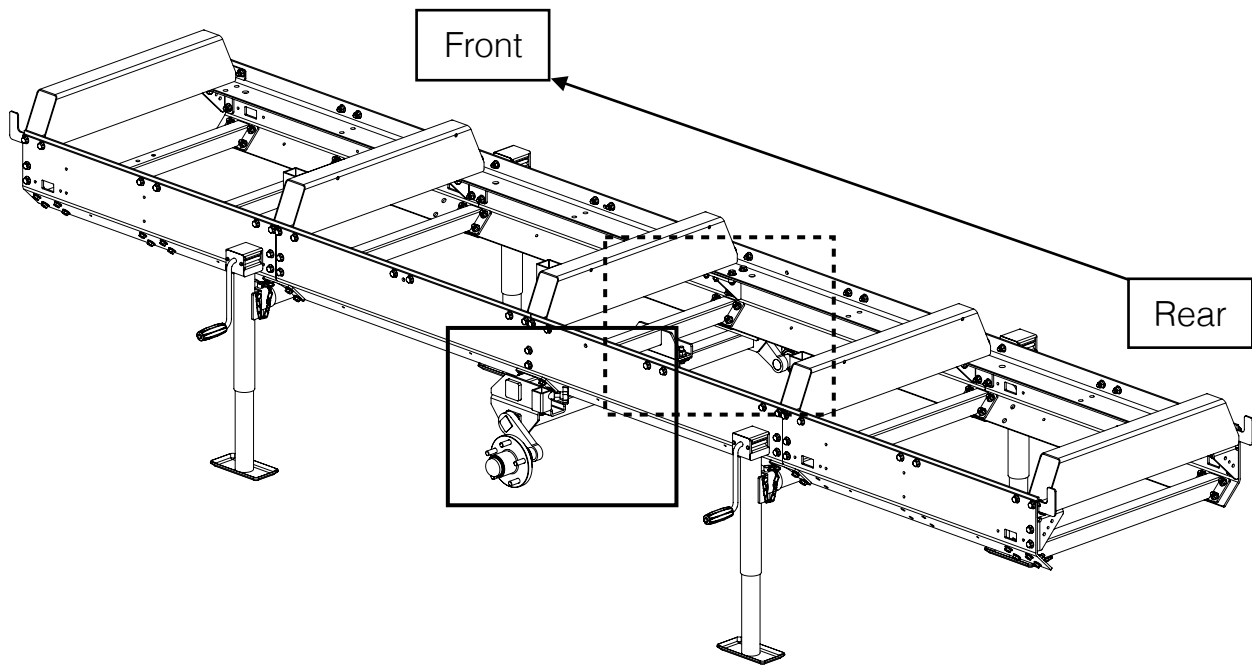


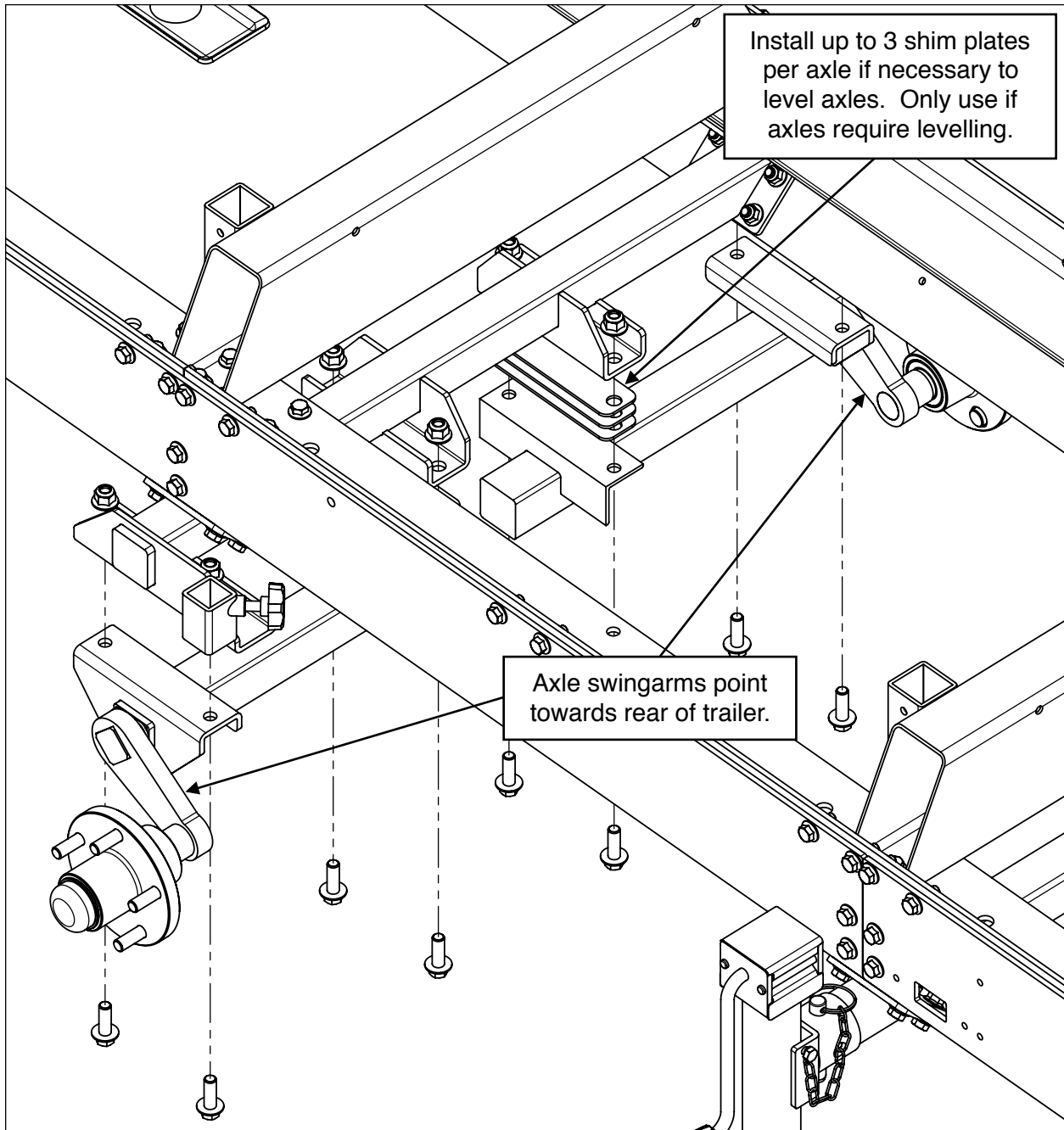


## 9. AXLES

Using the hardware listed below, install the axles as shown on the next page. Tighten these bolts to the ***specified torque***. Place a bubble level across both axles and check for level. If the level is off, use axle shim plates between the inner axle mounting face and axle cross beam to ensure the axles ride level. The shims are not necessary if the axles sit level after assembly.

8x	M12 X 35 mm Flanged Hex Bolt		1x	Axle [Left]	
8x	M12 Flanged Lock Nut		1x	Axle [Right]	
			6x	Axle Shim Plate	

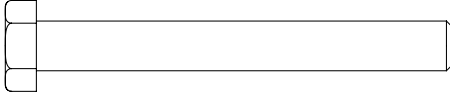
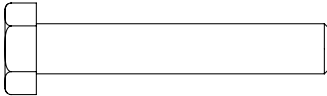
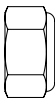
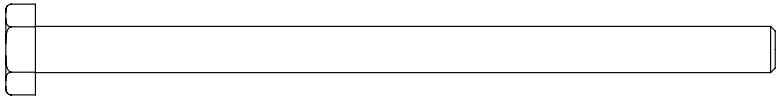
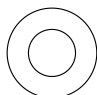
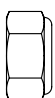
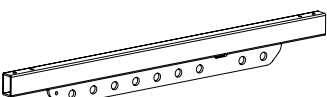
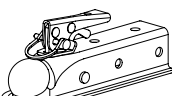
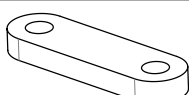
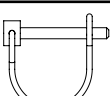


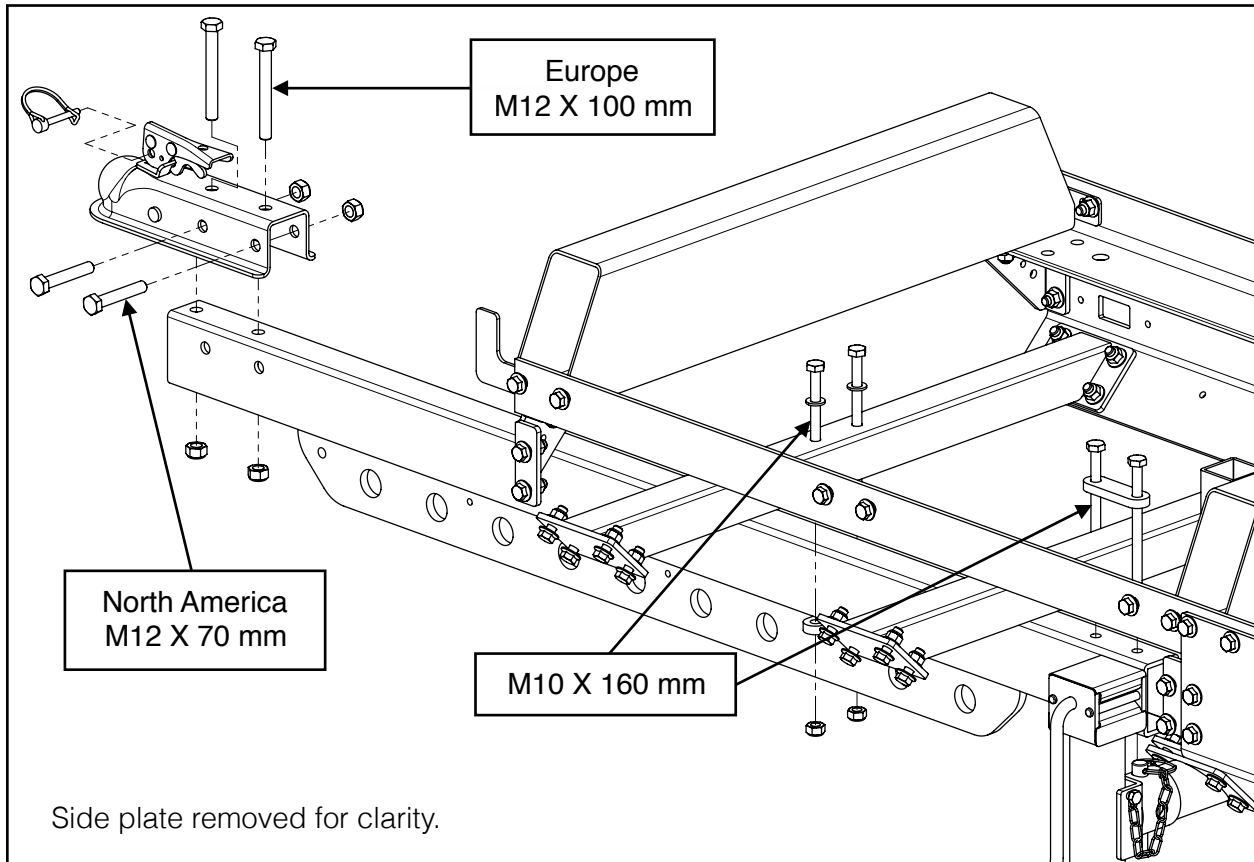
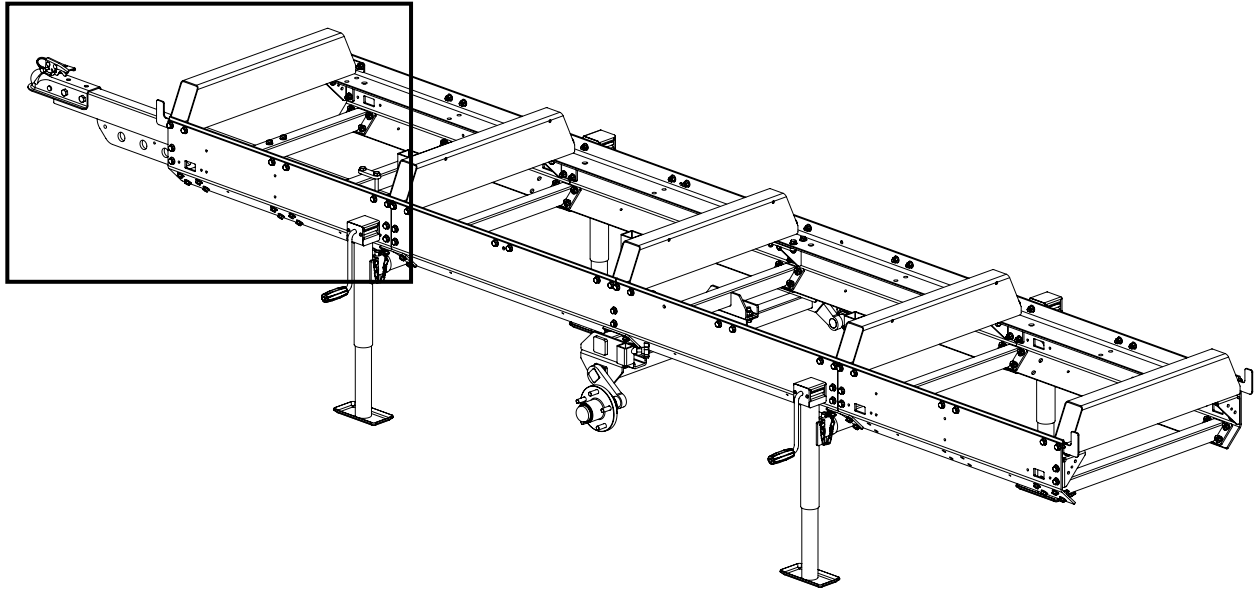




## 10. TONGUE AND COUPLER

Using the hardware listed below, install the trailer tongue and hitch coupler. Don't tighten the M10 X 160 mm bolts in this step since the plug for the lights will be routed through the tongue in the following step. Tighten the coupler bolts.

2x	M12 X 100 mm Hex Bolt <b>(Europe Only)</b>	
2x	M12 X 70 mm Hex Bolt <b>(North America)</b>	
2x	M12 Lock Nut	
4x	M10 X 160 mm Hex Bolt	
4x	M10 Flat Washer	
4x	M10 Lock Nut	
1x	Tongue	
1x	Hitch Coupler	
2x	Tongue Bracket	
1x	Locking Pin	


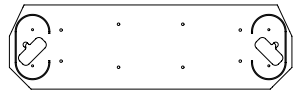
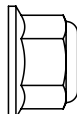
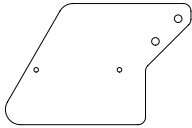
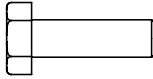
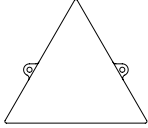
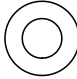
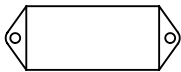
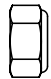

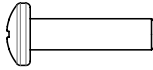


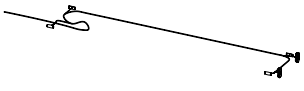
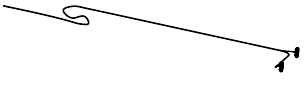


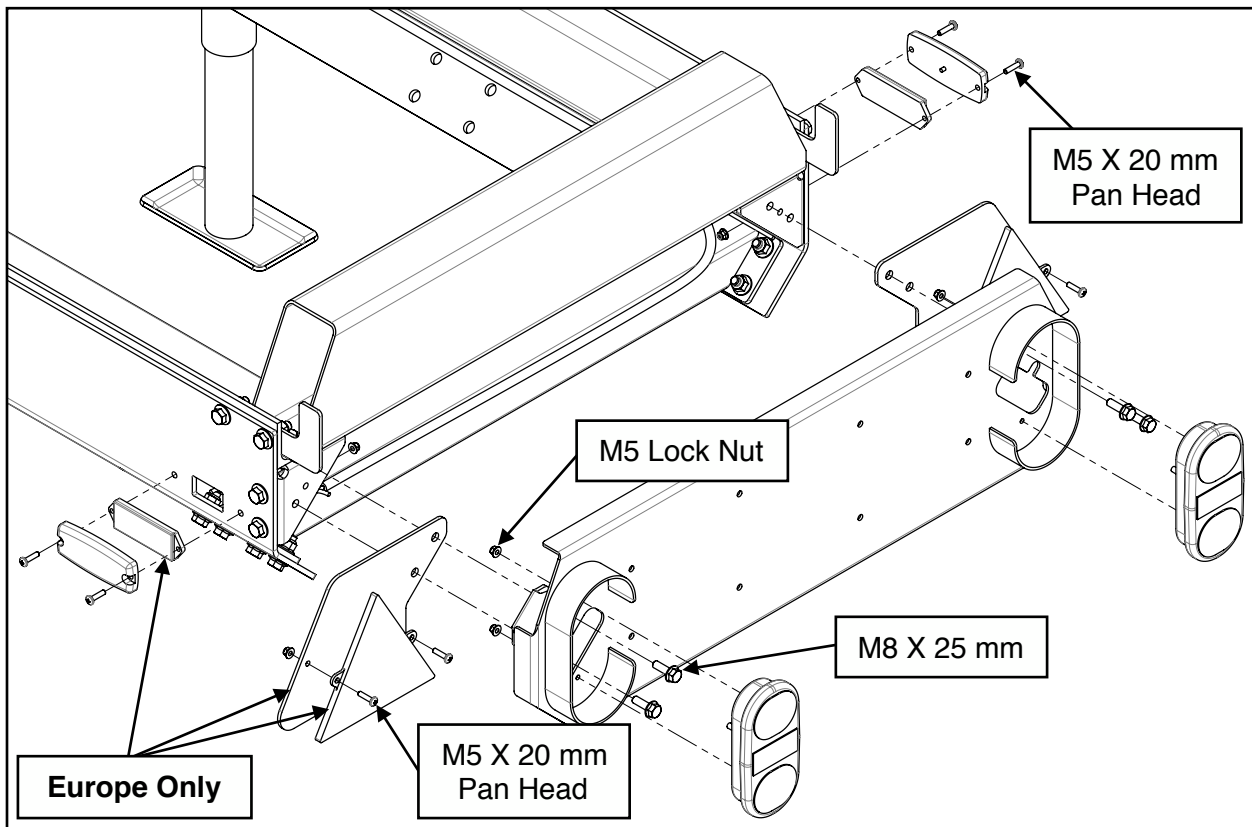
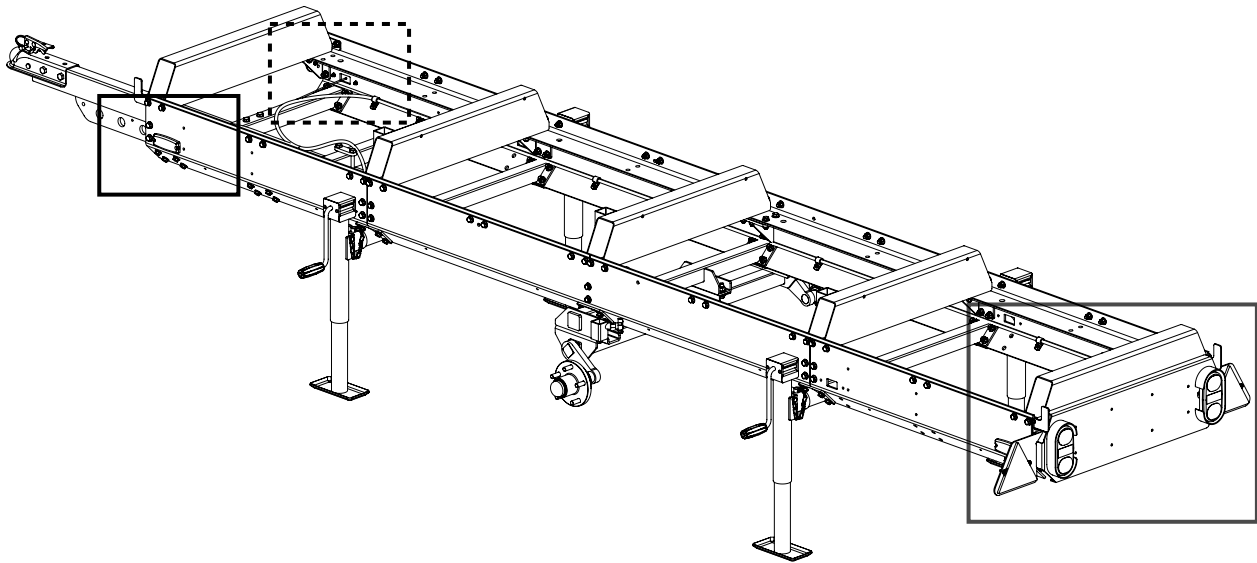


## 11. LIGHTING

Using the hardware listed below, install the light bar and country appropriate wire harness. Secure tail lights to the light bar using M5 flanged lock nuts before mounting light bar to trailer. Use cable clamps to secure wire harness to side plates down right-side of trailer. Tighten all bolts. The M10 X 160 mm tongue bolts from the previous step can now be tightened after wiring has been routed through the tongue.

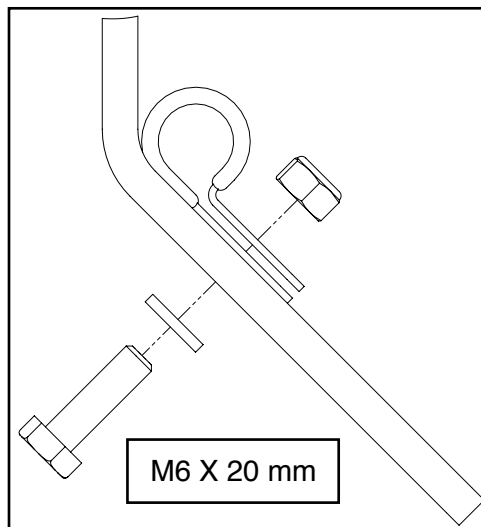
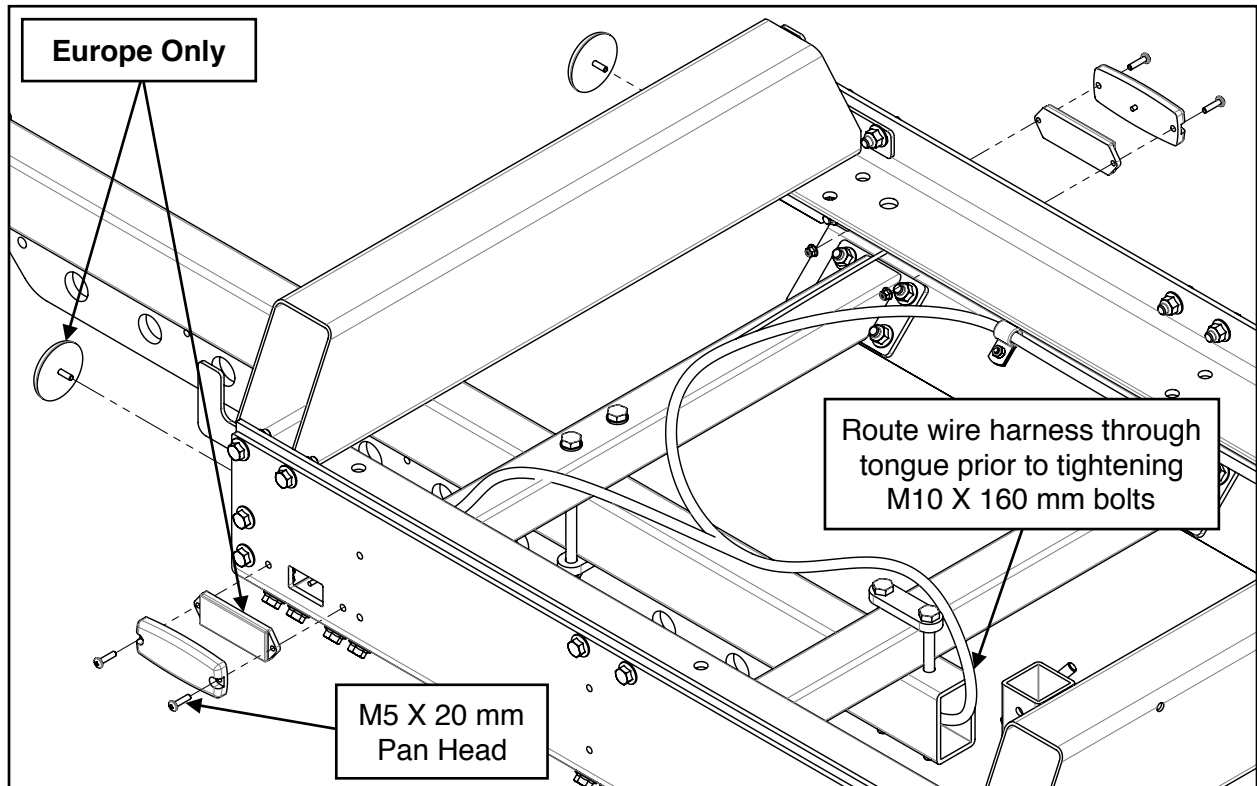
On the European version, install the 4 side reflectors, 2 front reflectors, and 2 rear reflector brackets and reflectors as shown on the following pages. There are no red/amber side lights on the European wire harness like the ones included with the North American version.

4x	M8 X 25 mm Flanged Hex Bolt		1x	Light Bar	
4x	M8 Flanged Lock Nut		2x	Rear Reflector Bracket <b>(Europe Only)</b>	
8x	M6 X 20 mm Hex Bolt		2x	Rear Reflector <b>(Europe Only)</b>	
8x	M6 Flat Washer		4x	Side Reflector <b>(Europe Only)</b>	
8x	M6 Lock Nut		2x	Front Reflector <b>(Europe Only)</b>	
12x	M5 X 20 mm Pan Head Screw <b>(4x Europe Only)</b>		8x	Cable Clamp	
12x	M5 Flanged Lock Nut <b>(4x Europe Only)</b>		1x	Wire Harness <b>(North America Only)</b>	
			1x	Wire Harness <b>(Europe Only)</b>	



Note: Tail lights (North America and Europe) and side lights (North America only) are integral to the wire harness. They are shown exploded for assembly clarity.



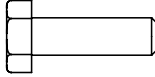





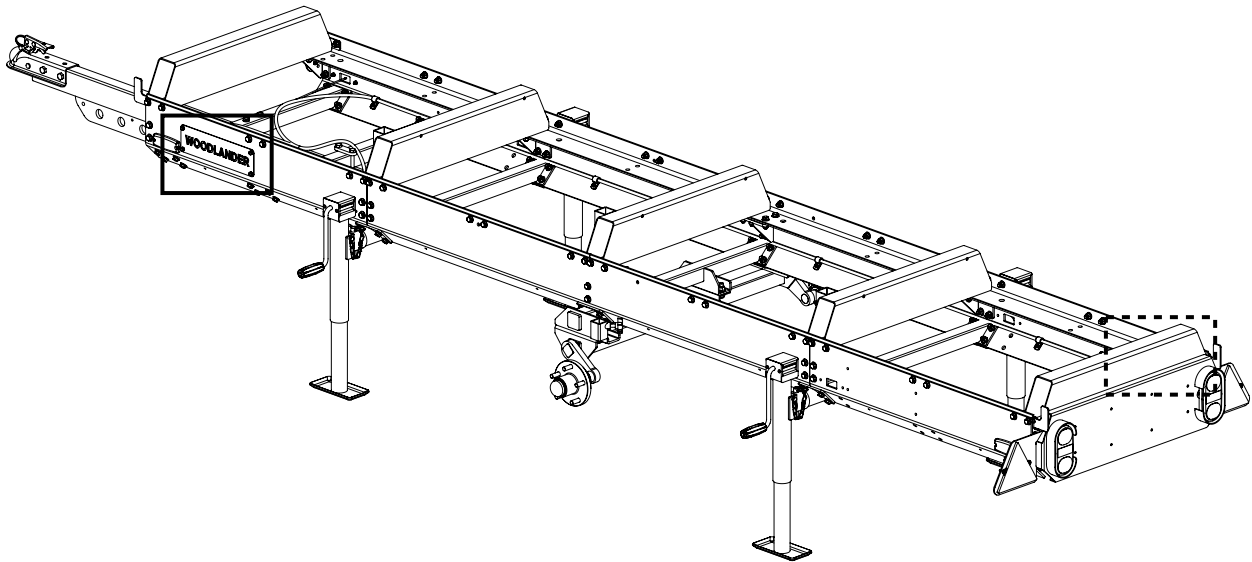
There are 2 cable clamps per short side plate (2) and 4 per long side plate (1) for a total of 8. Cable clamps are installed down the right-hand side of the trailer only. Use the M6 X 20 mm hex bolts, M6 washers, and M6 lock nuts as shown. This applies to both North American and European models.

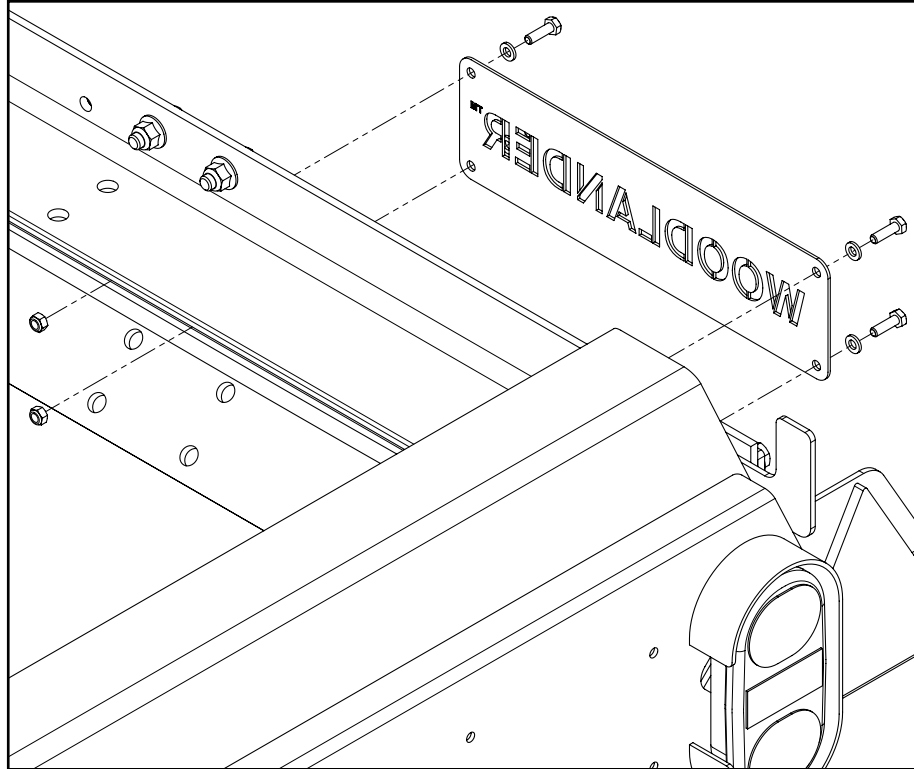
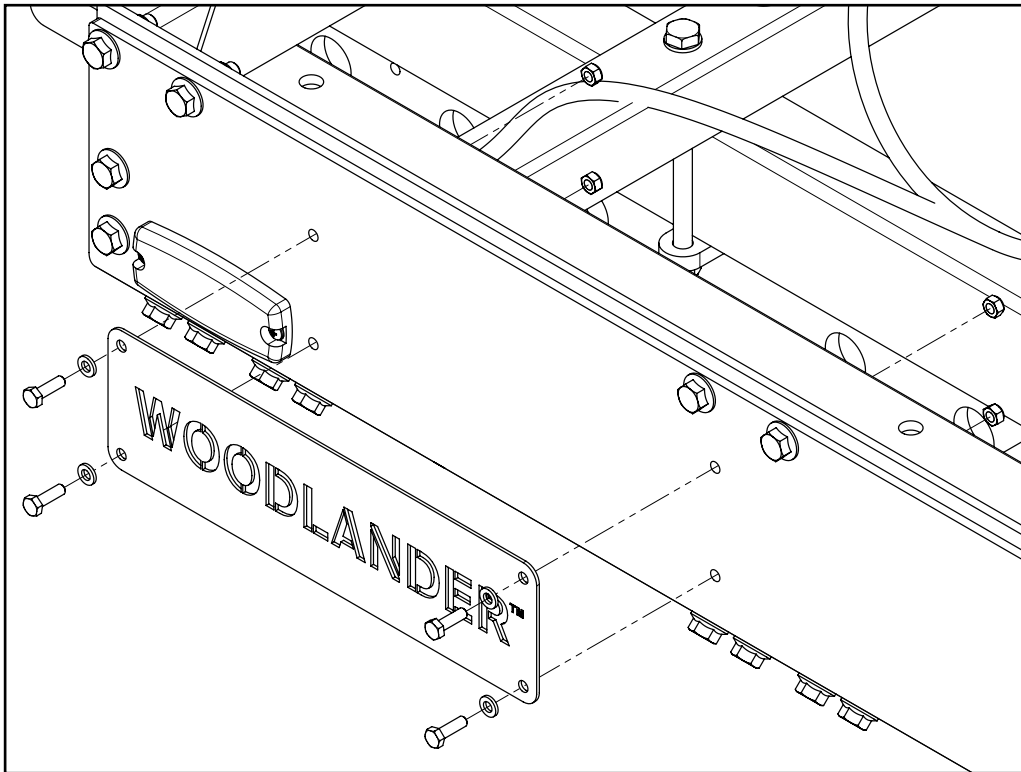


## 12. BADGES

Using the hardware listed below, install the two (2) *Woodlander* badges as shown.

8x	M6 X 20 mm Hex Bolt		2x	Woodlander Badge	
8x	M6 Flat Washer				
8x	M6 Lock Nut				

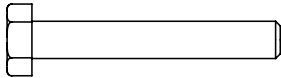
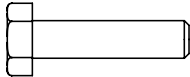
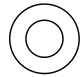

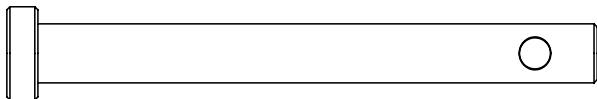
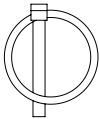
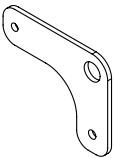





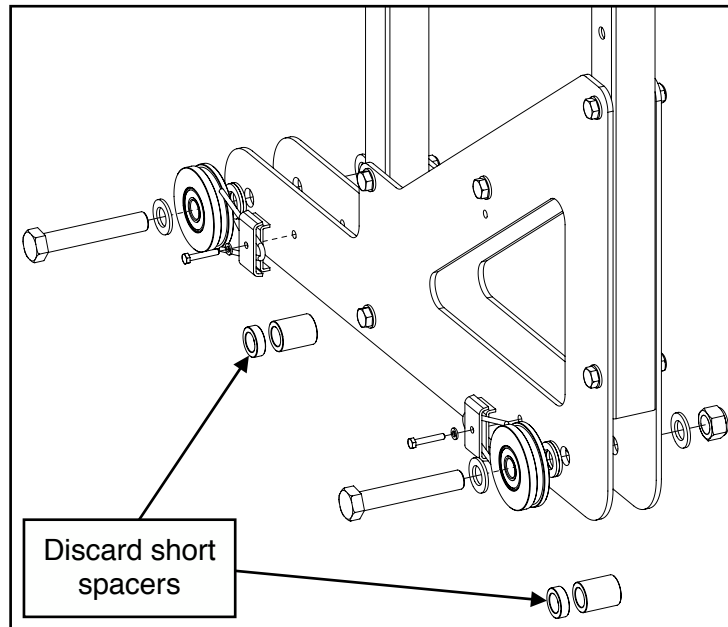


### 13. HEAD LOCK-DOWN PLATES

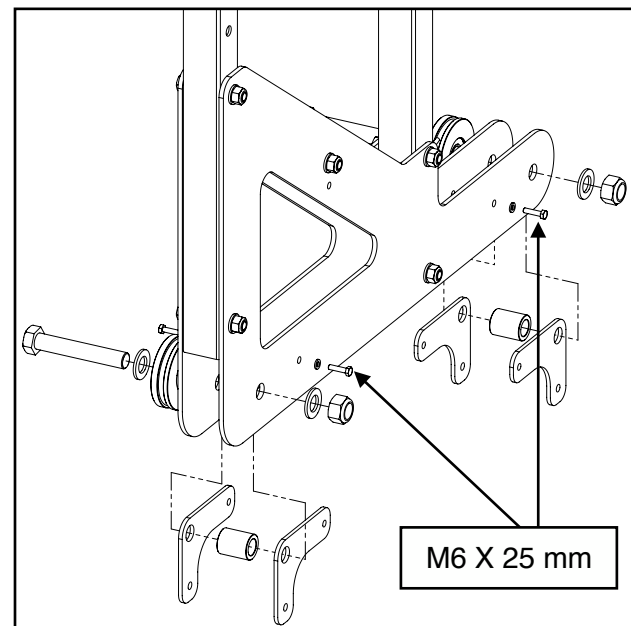
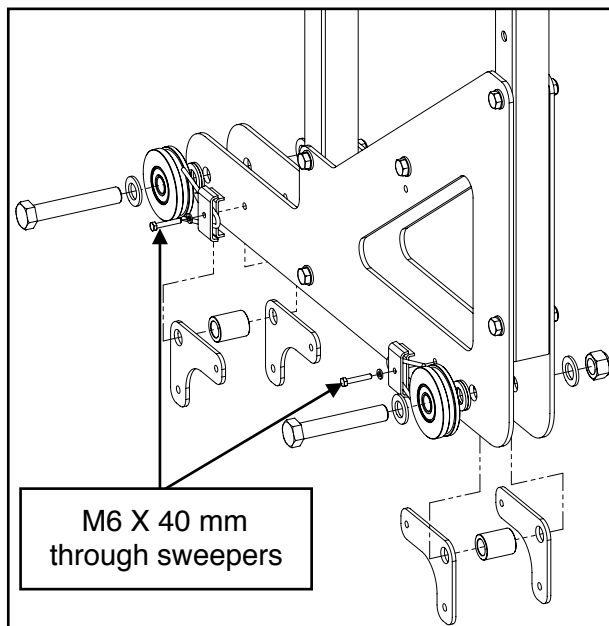
Place the assembled sawhead on the trailer. Using the hardware listed below, install the head lock down plates as shown on the next page. Tighten these bolts to the ***specified torque***.

4x	M6 X 40 mm Hex Bolt	
4x	M6 X 25 mm Hex Bolt	
16x	M6 Flat Washer	
8x	M6 Lock Nut	
4x	Lock-Down Pin	
4x	Linch Pin	
8x	Head Lock- Down Plate	
1x	3/8" Drill Bit	

Remove the eight (8) spacers from the carriage wheel axles and discard the four (4) short spacers. Only the four (4) tall spacers will be reused in the next steps.

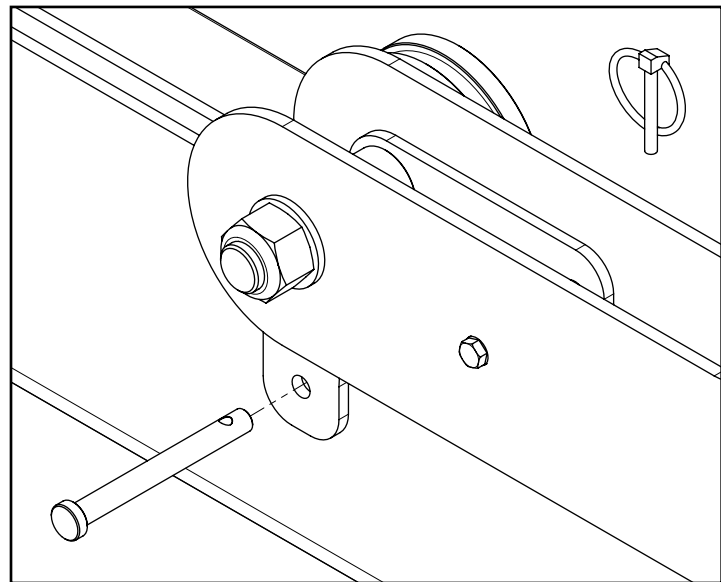
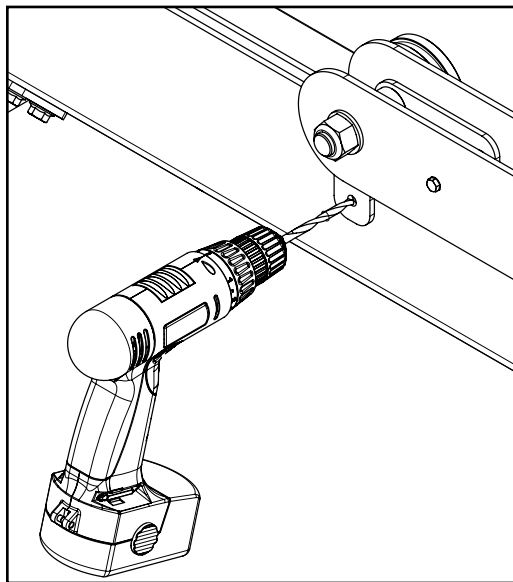
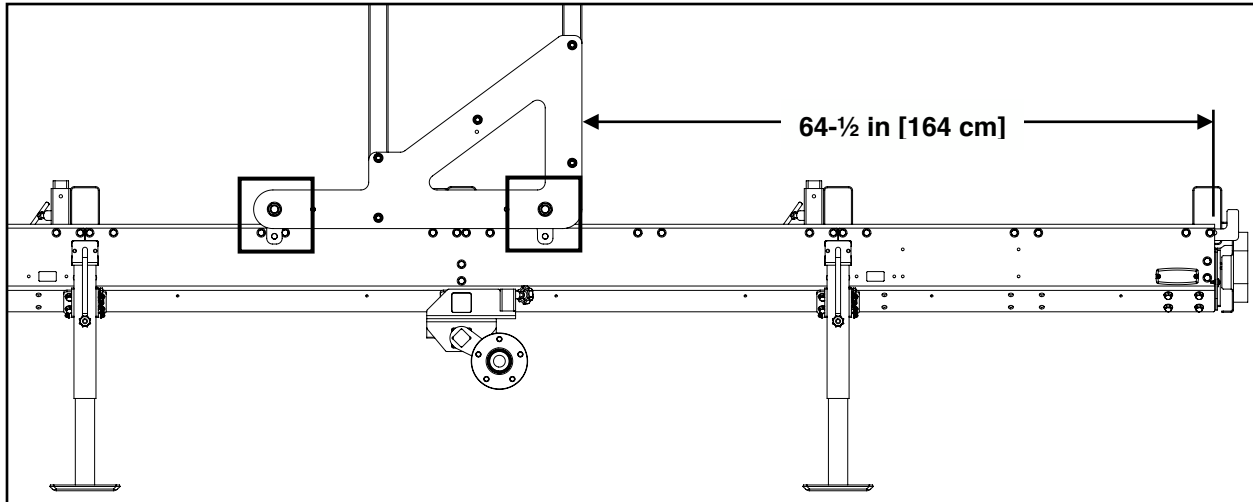


Using the provided M6 X 40 mm and M6 X 25 mm bolts, install the lock-down plates in place of the short spacers with the taller spacer sandwiched between. Reuse the four (4) M6 flat washers from the wheel sweepers on the sawmill when replacing the bolts.





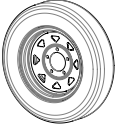
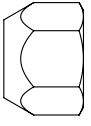
Drill four (4) holes for the lock-down plates using the provided  $\frac{3}{8}$  in drill bit. Measure  $64\frac{1}{2}$  in [164 cm] from the rear edge of the track rail (not the carriage stop) to the rear post of the sawhead. Insert a locking pin into each hole as they are drilled. Secure each locking pin with a linch pin.

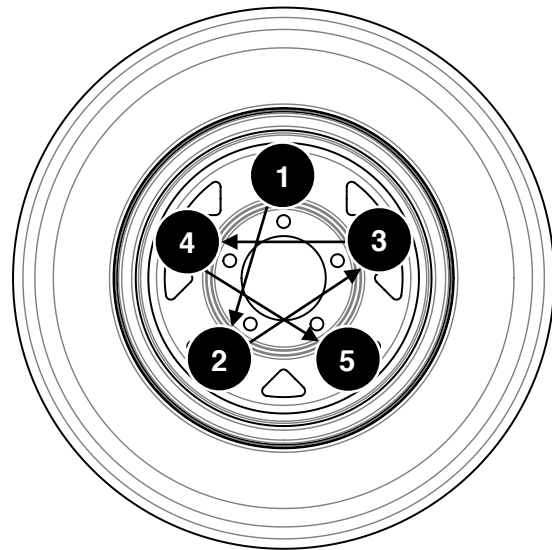
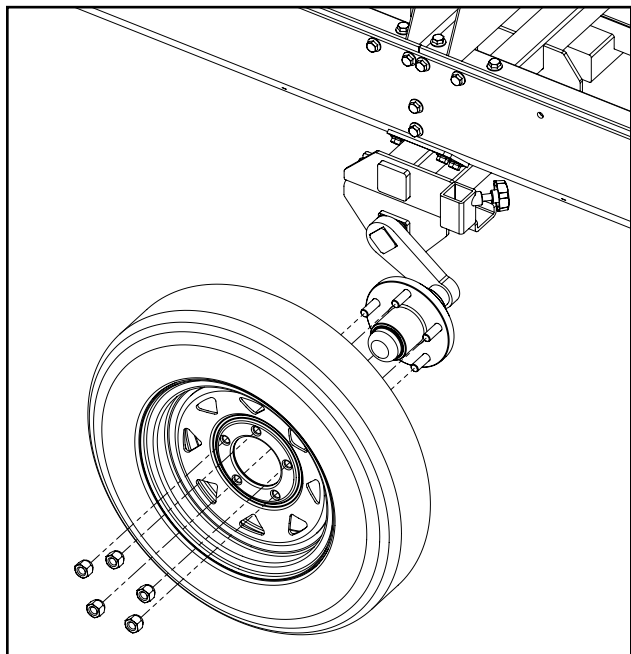
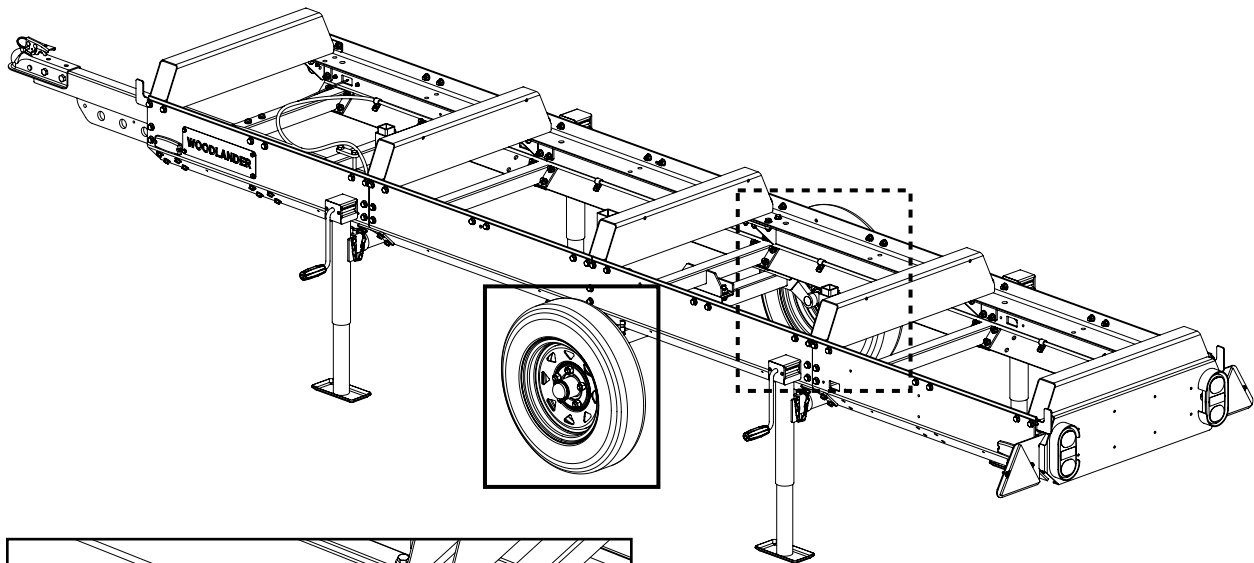




## 14. WHEELS

Using the hardware listed below, install the tires on the axles. Using a torque wrench, torque the lug nuts to 80 ft·lb / 110 N·m following the pattern shown below.

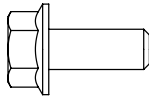
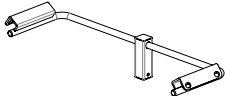
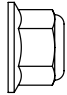

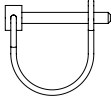
2x	5.30-12 Wheel		10x	1/2-20 Lug Nut	
----	---------------	---	-----	----------------	---

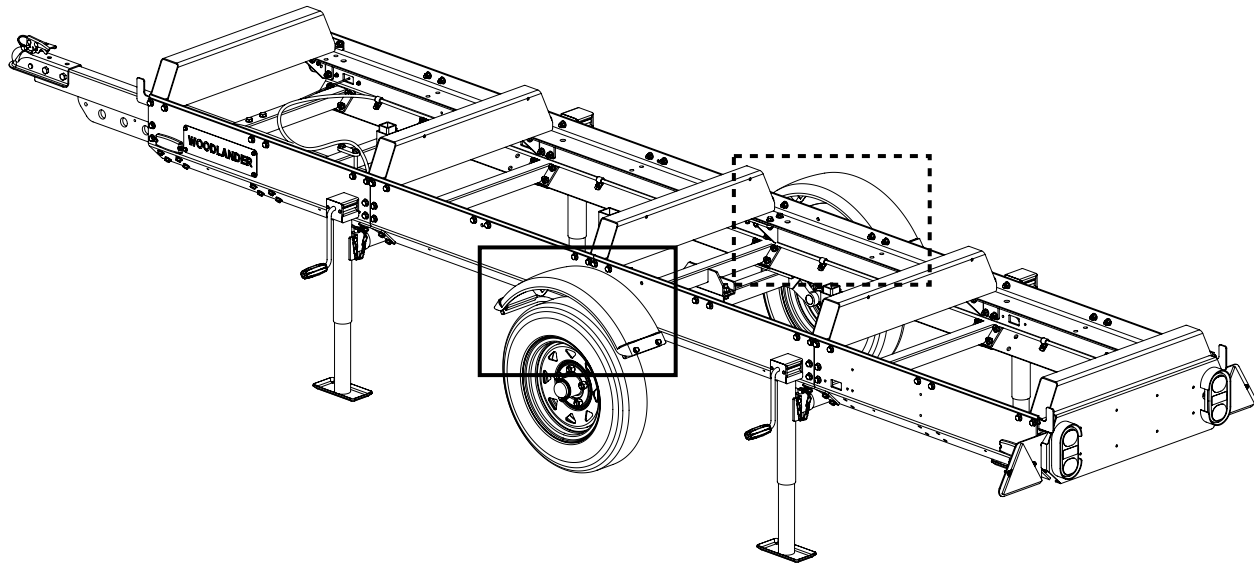




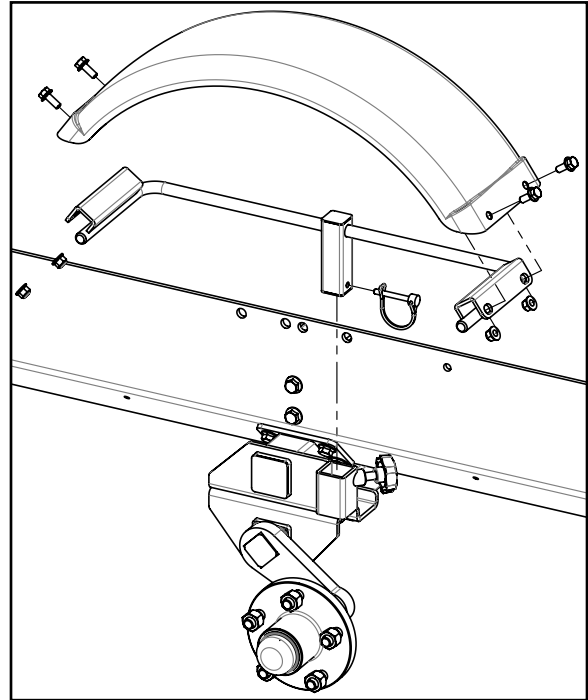
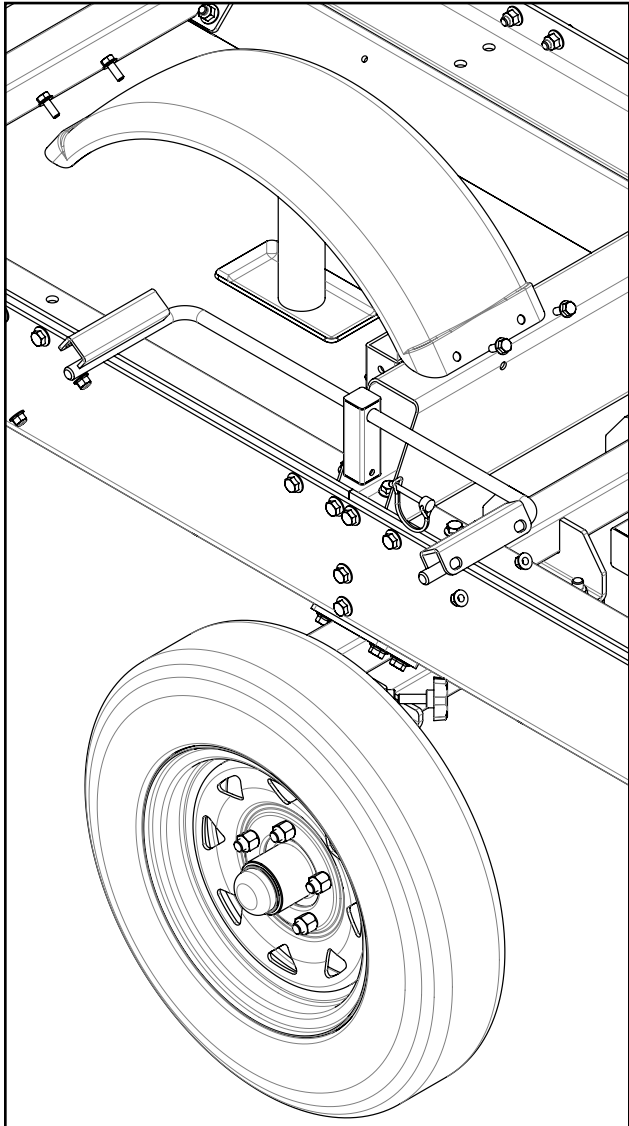
## 15. FENDERS

Using the hardware listed below, assemble the fenders to the fender brackets. Tighten these bolts. Slide the post on the fender bracket into the sleeve on the axle mount and insert the locking pin through the hole located at the bottom of the fender bracket post. Secure the fender/fender bracket sub-assembly by tightening the two (2) M10 X 30 mm knobs.

8x	M8 X 20 mm Flanged Hex Bolt		2x	Fender Bracket	
8x	M8 Flanged Lock Nut		2x	Fender	
			2x	Locking Pin	





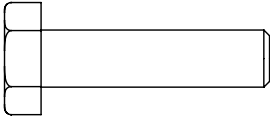
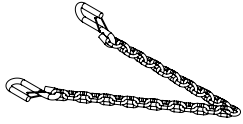
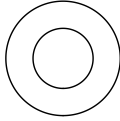
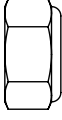


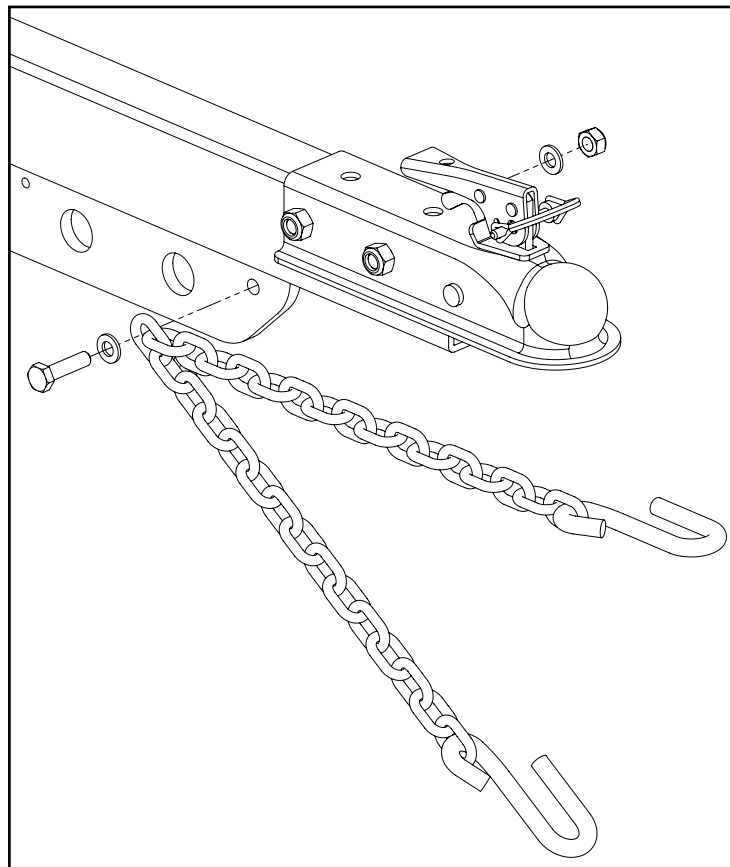
Some components removed for clarity



## 16. SAFETY CHAIN

Using the hardware below, install the safety chain on the trailer tongue. This step is not needed for European customers.

1x	M10 X 40 mm Hex Bolt <b>(Not in Europe)</b>		1x	Safety Chain <b>(Not in Europe)</b>	
2x	M10 Flat Washer <b>(Not in Europe)</b>				
1x	M10 Lock Nut <b>(Not in Europe)</b>				





## NORTH AMERICAN PARTS LIST

Item	Quantity		Part No.	Description
	HM126 HM130	HM130 MAX		
1	4	4	0001373	GUSSET, END
2	6	6	0001374	GUSSET, JOINING
3	2	2	0001363	SIDE PLATE, LONG
4	4	4	0001364	SIDE PLATE, SHORT
5	4	-	0001369	CROSS BEAM
	-	4	0002900	CROSS BEAM, MAX
6	1	-	0001370	CROSS BEAM, FRONT
	-	1	0002899	CROSS BEAM, FRONT, MAX
7	4	4	0001385	JACK STAND
8	4	4	0001376	JACK MOUNT
9	1	-	0001679	AXLE CROSS BEAM
	-	1	0002898	AXLE CROSS BEAM, MAX
10	1	1	0001680	AXLE MOUNT W/ FENDER ADAPTER, LEFT
11	1	1	0001681	AXLE MOUNT W/ FENDER ADAPTER, RIGHT
12	1	1	0001677	AXLE, LEFT, 850 kg
13	1	1	0001678	AXLE, RIGHT, 850 kg
14	6	6	0001682	AXLE SHIM PLATE, 3 mm THK
15	2	2	0001552	WHEEL HUB DUST COVER, 1/2-20 LUGS
16	1	1	0001371	TONGUE
17	1	1	0001381	HITCH BALL COUPLER, 2 in [50.8 mm] BALL, NORTH AMERICA
19	2	2	0001372	TONGUE BRACKET STANDARD
20	1	-	0001375	LIGHT BAR
	-	1	0002901	LIGHT BAR, MAX
21	1	1	0001676-1	LIGHTING WIRE HARNESS, NORTH AMERICA
27	2	2	0001886	WOODLANDER NAMEPLATE
28	2	2	0001683	BRACKET, METAL FENDER, 750/850 kg AXLE
29	2	2	0001684	METAL FENDER
30	2	2	0001698	KNOB, MULTI-LOBE, 48 mm OD, M10 X 1.5, 30 mm LG
31	1	1	0001382	SAFETY CHAIN
32	8	8	0001990	HEAD LOCK-DOWN PLATE
33	4	4	0001394	LOCK-DOWN PIN
34	8	8	HDW	CABLE CLAMP, 1/2 in ID, 1-3/4 in LG
35	16	16	HDW	HEX BOLT, M6 X 1, 20 mm LG
36	4	4	HDW	HEX BOLT, M6 X 1, 25 mm LG
37	4	4	HDW	HEX BOLT, M6 X 1, 40 mm LG
38	1	1	HDW	HEX BOLT, M10 X 1.5, 40 mm LG
39	4	4	HDW	HEX BOLT, M10 X 1.5, 160 mm LG, 26 mm LG THD
40	2	2	HDW	HEX BOLT, M12 X 1.75, 70 mm LG, 30 mm LG THD
42	8	8	HDW	HEX BOLT, FLANGED, M8 X 1.25, 20 mm LG
43	4	4	HDW	HEX BOLT, FLANGED, M8 X 1.25, 25 mm LG
44	116	116	HDW	HEX BOLT, FLANGED, M10 X 1.5, 30 mm LG
45	32	32	HDW	HEX BOLT, FLANGED, M10 X 1.5, 35 mm LG
46	8	8	HDW	HEX BOLT, FLANGED, M10 X 1.5, 40 mm LG



Item	Quantity		Part No.	Description
	HM126 HM130	HM130 MAX		
47	8	8	HDW	HEX BOLT, FLANGED, M12 X 1.75, 35 mm LG
48	8	8	HDW	SCREW, PPH, M5 X 0.8, 20 mm LG
49	28	28	HDW	FLAT WASHER, M6
50	6	6	HDW	FLAT WASHER, M10
51	24	24	HDW	LOCK NUT, M6 X 1
52	5	5	HDW	LOCK NUT, M10 X 1.5
53	2	2	HDW	LOCK NUT, M12 X 1.75
54	12	12	HDW	LOCK NUT, FLANGED, M5 X 0.8
55	12	12	HDW	LOCK NUT, FLANGED, M8 X 1.25
56	156	156	HDW	LOCK NUT, FLANGED, M10 X 1.5
57	8	8	HDW	LOCK NUT, FLANGED, M12 X 1.75
58	2	2	HDW	LOCK NUT, SLOTTED, M24 X 1.5, 16 mm HGT
59	10	10	HDW	LUG NUT, 1/2-20
60	4	4	HDW	LINCH PIN W/ RING, 3/16 in DIA X 1 in LG
61	3	3	HDW	LOCKING PIN W/ WIRE RETAINER, 1/4 in DIA X 2 in LG
62	2	2	HDW	COTTER PIN, 5/32 in DIA, 1-1/2 in LG
63	2	2	HDW	ROTARY SHAFT SEAL, SPR-LOADED, WIPER LIP, 30 mm SFT, 50 mm OD
64	4	4	L44649	ROLLER BEARING, TAPERED, 1-1/16 in SHAFT, 1-3/64 in OD, .56 in WIDE
65	2	2	5.30-12	WHEEL, 5.30-12



## EUROPEAN PARTS LIST

Item	Quantity		Part No.	Description
	HM126 HM130	HM130 MAX		
1	4	4	0001373	GUSSET, END
2	6	6	0001374	GUSSET, JOINING
3	2	2	0001363	SIDE PLATE, LONG
4	4	4	0001364	SIDE PLATE, SHORT
5	4	-	0001369	CROSS BEAM
	-	4	0002900	CROSS BEAM, MAX
6	1	-	0001370	CROSS BEAM, FRONT
	-	1	0002899	CROSS BEAM, FRONT, MAX
7	4	4	0001385	JACK STAND
8	4	4	0001376	JACK MOUNT
9	1	-	0001679	AXLE CROSS BEAM
	-	1	0002898	AXLE CROSS BEAM, MAX
10	1	1	0001680	AXLE MOUNT W/ FENDER ADAPTER, LEFT
11	1	1	0001681	AXLE MOUNT W/ FENDER ADAPTER, RIGHT
12	1	1	0001677	AXLE, LEFT, 850 kg
13	1	1	0001678	AXLE, RIGHT, 850 kg
14	6	6	0001682	AXLE SHIM PLATE, 3 mm THK
15	2	2	0001552	WHEEL HUB DUST COVER, 1/2-20 LUGS
16	1	1	0001371	TONGUE
18	1	1	0001702	HITCH BALL COUPLER, 50 mm [2 in] BALL, EUROPE
19	2	2	0001372	TONGUE BRACKET STANDARD
20	1	-	0001375	LIGHT BAR
	-	1	0002901	LIGHT BAR, MAX
22	1	1	0001676-2	LIGHTING WIRE HARNESS, EUROPE
23	2	2	0001379	TRIANGLE REFLECTOR BRACKET, EUROPE
24	2	2	0001390	REAR REFLECTOR, RED, EUROPE
25	4	4	0001391	SIDE REFLECTOR, AMBER, EUROPE
26	2	2	0001392	FRONT REFLECTOR, WHITE, EUROPE
27	2	2	0001886	WOODLANDER NAMEPLATE
28	2	2	0001683	BRACKET, METAL FENDER, 750/850 kg AXLE
29	2	2	0001684	METAL FENDER
30	2	2	0001698	KNOB, MULTI-LOBE, 48 mm OD, M10 X 1.5, 30 mm LG
32	8	8	0001990	HEAD LOCK-DOWN PLATE
33	4	4	0001394	LOCK-DOWN PIN
34	8	8	HDW	CABLE CLAMP, 1/2 in ID, 1-3/4 in LG
35	16	16	HDW	HEX BOLT, M6 X 1, 20 mm LG
36	4	4	HDW	HEX BOLT, M6 X 1, 25 mm LG
37	4	4	HDW	HEX BOLT, M6 X 1, 40 mm LG
39	4	4	HDW	HEX BOLT, M10 X 1.5, 160 mm LG, 26 mm LG THD
41	2	2	HDW	HEX BOLT, M12 X 1.75, 100 mm LG, 30 mm LG THD
42	8	8	HDW	HEX BOLT, FLANGED, M8 X 1.25, 20 mm LG
43	4	4	HDW	HEX BOLT, FLANGED, M8 X 1.25, 25 mm LG
44	116	116	HDW	HEX BOLT, FLANGED, M10 X 1.5, 30 mm LG

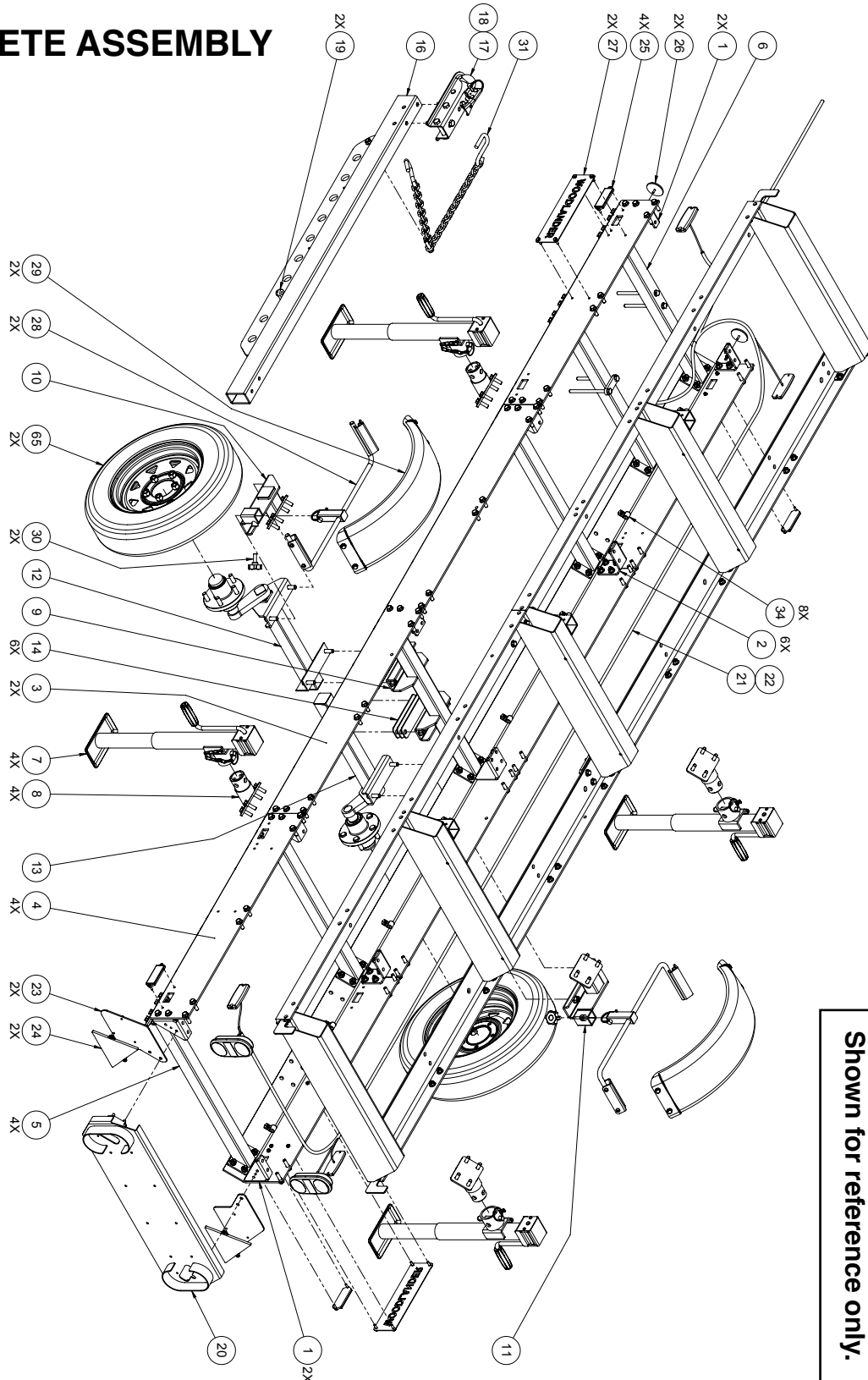


Item	Quantity		Part No.	Description
	HM126 HM130	HM130 MAX		
45	32	32	HDW	HEX BOLT, FLANGED, M10 X 1.5, 35 mm LG
46	8	8	HDW	HEX BOLT, FLANGED, M10 X 1.5, 40 mm LG
47	8	8	HDW	HEX BOLT, FLANGED, M12 X 1.75, 35 mm LG
48	12	12	HDW	SCREW, PPH, M5 X 0.8, 20 mm LG
49	28	28	HDW	FLAT WASHER, M6
50	4	4	HDW	FLAT WASHER, M10
51	24	24	HDW	LOCK NUT, M6 X 1
52	4	4	HDW	LOCK NUT, M10 X 1.5
53	2	2	HDW	LOCK NUT, M12 X 1.75
54	18	18	HDW	LOCK NUT, FLANGED, M5 X 0.8
55	12	12	HDW	LOCK NUT, FLANGED, M8 X 1.25
56	156	156	HDW	LOCK NUT, FLANGED, M10 X 1.5
57	8	8	HDW	LOCK NUT, FLANGED, M12 X 1.75
58	2	2	HDW	LOCK NUT, SLOTTED, M24 X 1.5, 16 mm HGT
59	10	10	HDW	LUG NUT, 1/2-20
60	4	4	HDW	LINCH PIN W/ RING, 3/16 in DIA X 1 in LG
61	2	2	HDW	LOCKING PIN W/ WIRE RETAINER, 1/4 in DIA X 2 in LG
62	2	2	HDW	COTTER PIN, 5/32 in DIA, 1-1/2 in LG
63	2	2	HDW	ROTARY SHAFT SEAL, SPR-LOADED, WIPER LIP, 30 mm SFT, 50 mm OD
64	4	4	L44649	ROLLER BEARING, TAPERED, 1-1/16 in SHAFT, 1-3/64 in OD, .56 in WIDE
65	2	2	5.30-12	WHEEL, 5.30-12



# EXPLODED ASSEMBLY VIEWS

## COMPLETE ASSEMBLY



Track not included.  
Shown for reference only.

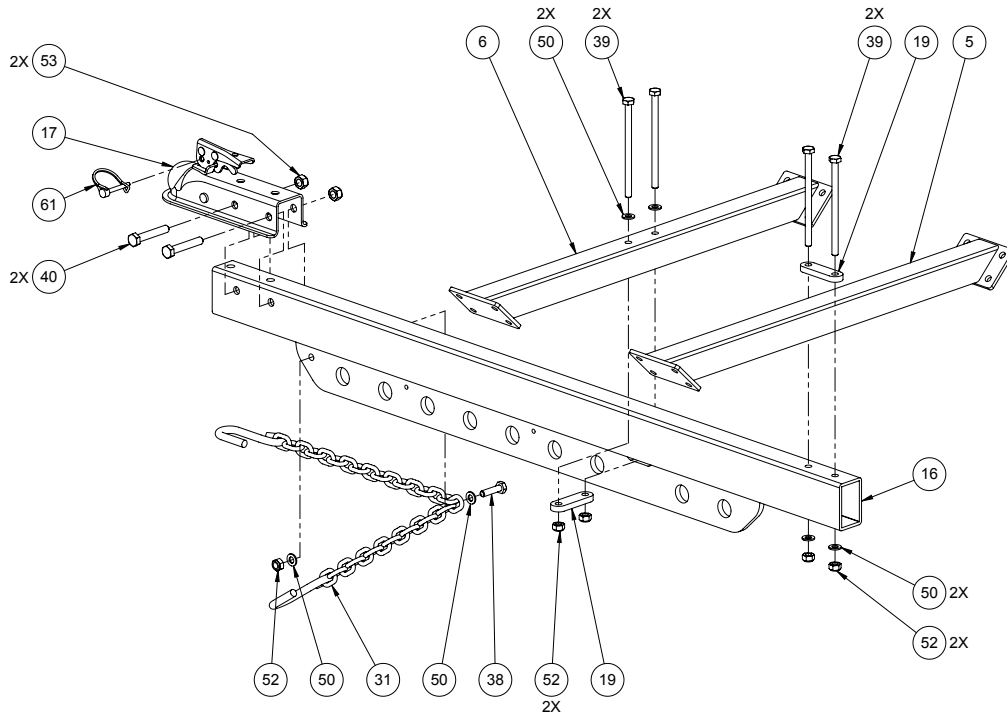




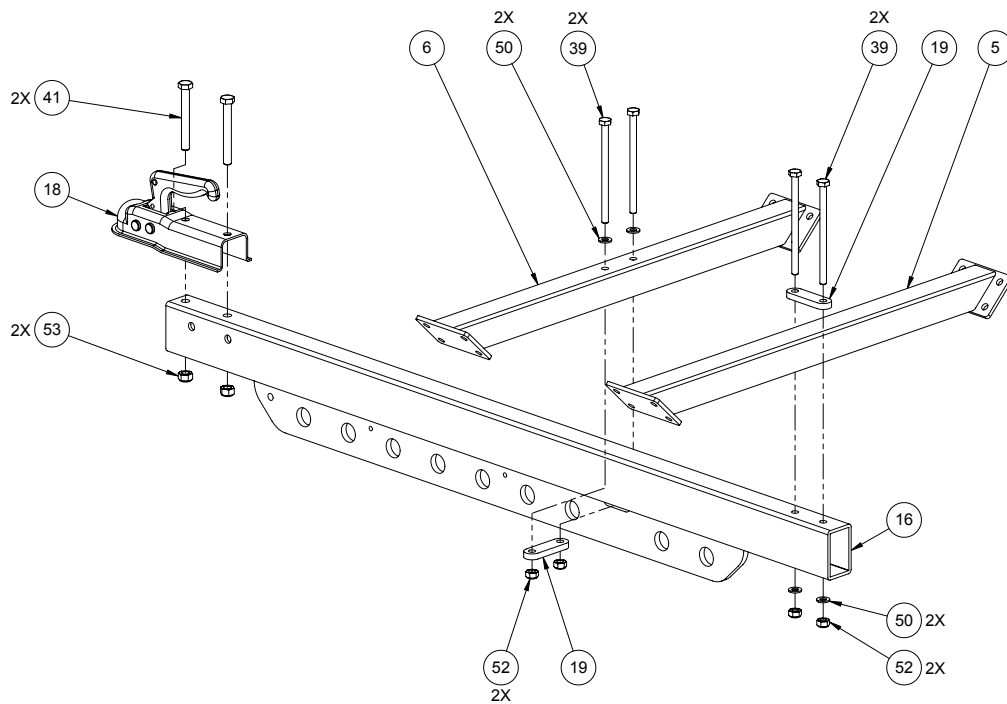


# TONGUE

## NORTH AMERICA

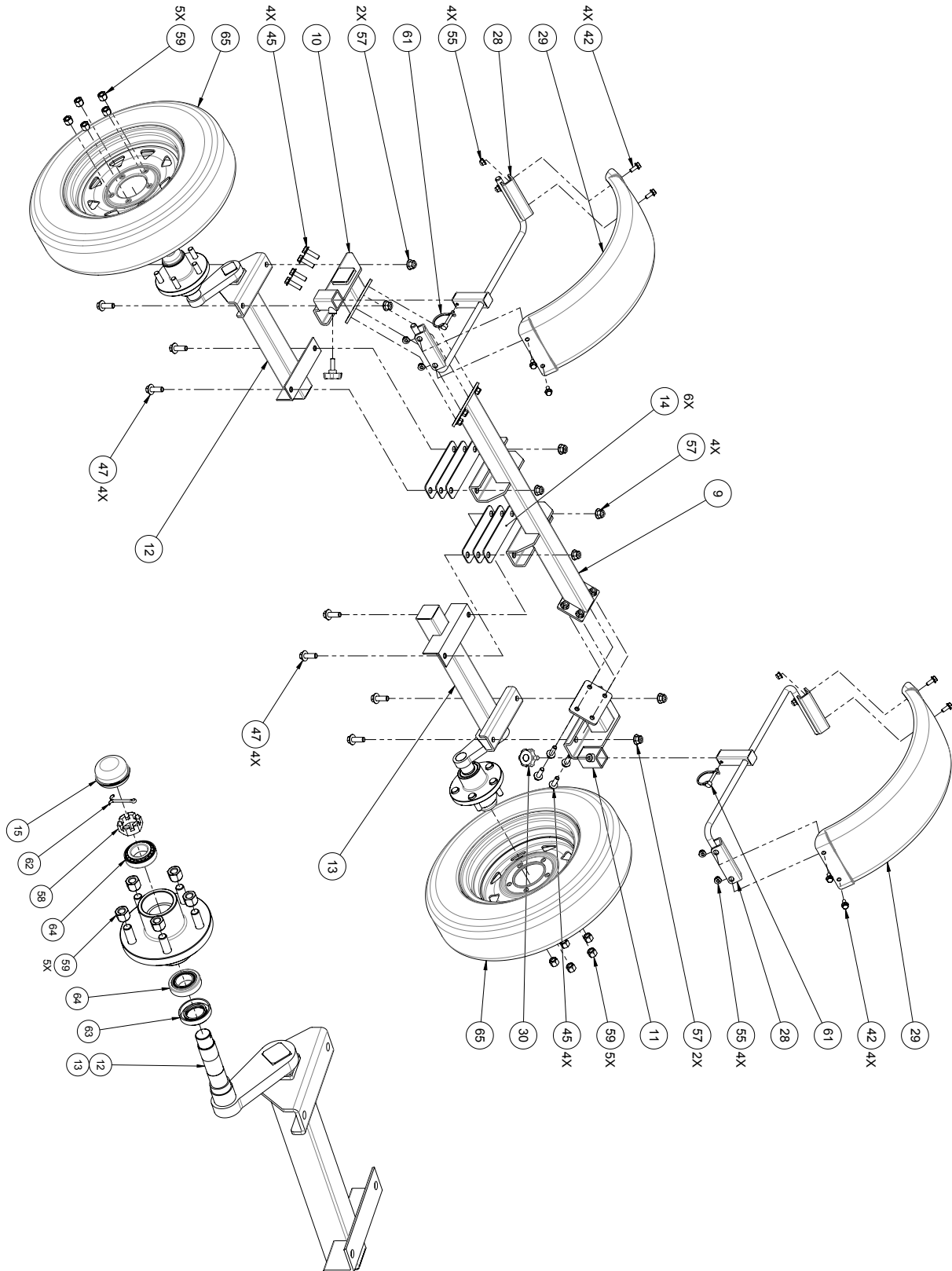


## EUROPE





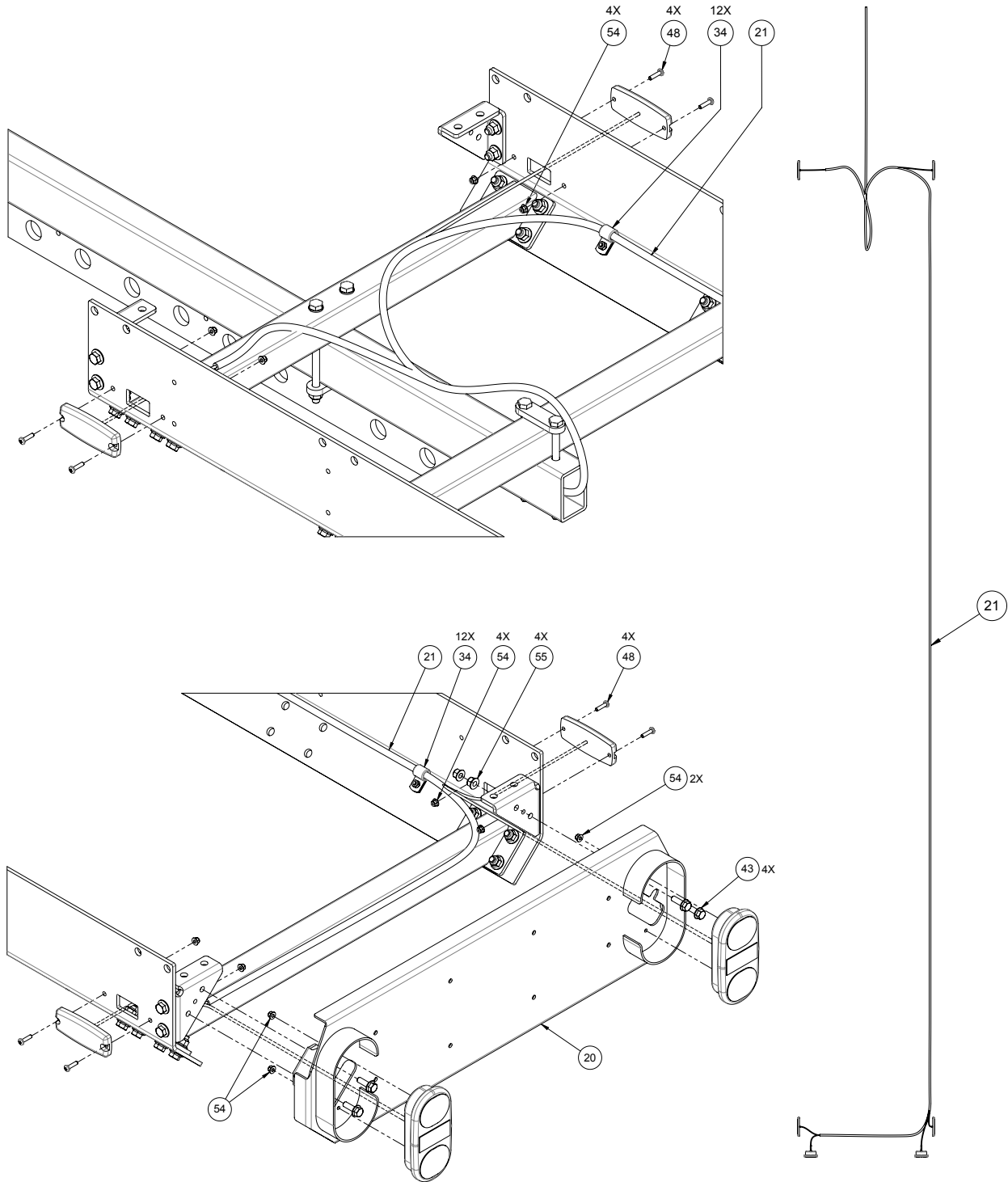
# AXLES, WHEELS, AND FENDERS





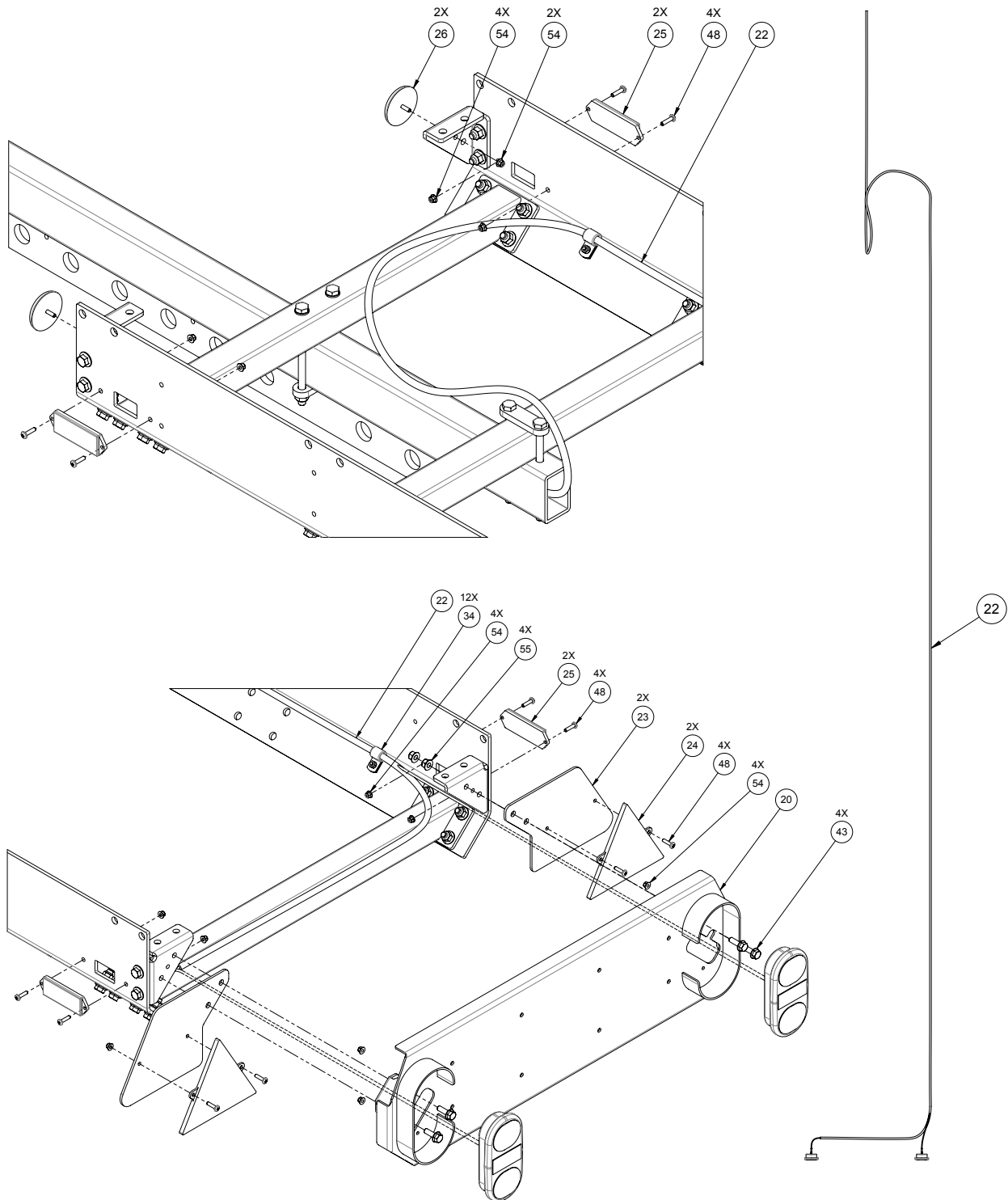
# LIGHTING

NORTH AMERICA



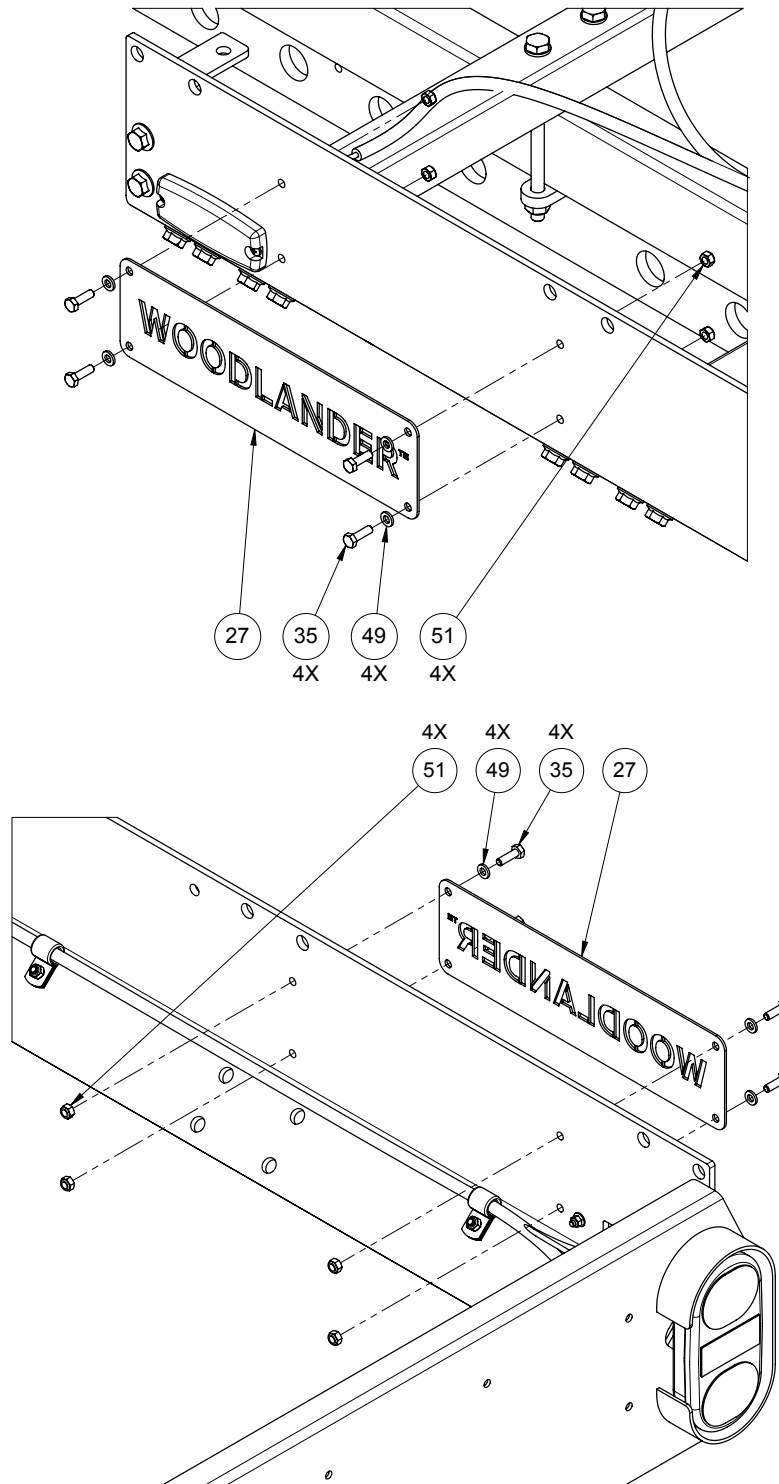


EUROPE



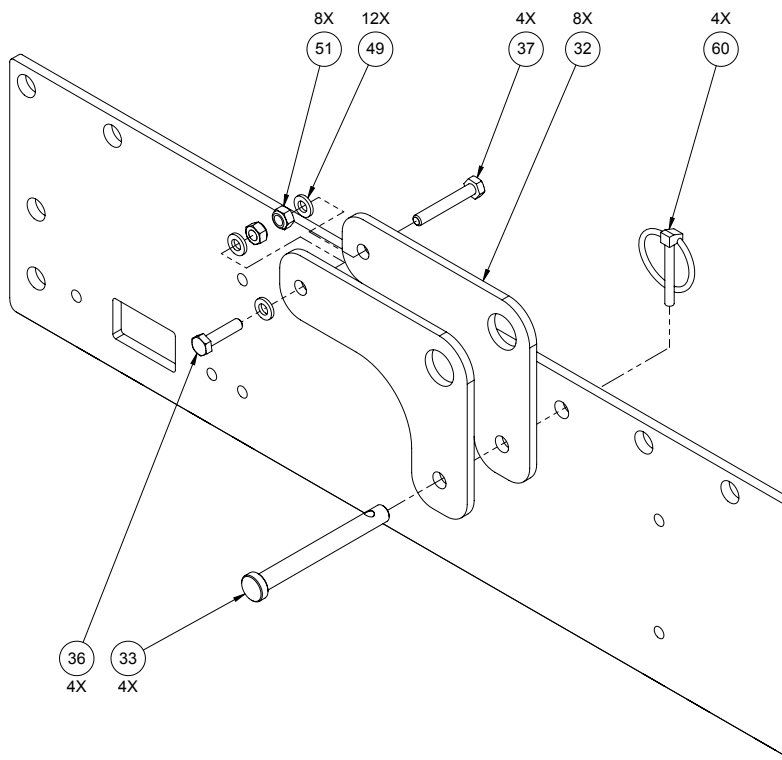


# BADGES





# HEAD LOCK-DOWN PLATES













Lined area for notes or comments, consisting of multiple horizontal lines.

This page intentionally left blank.

