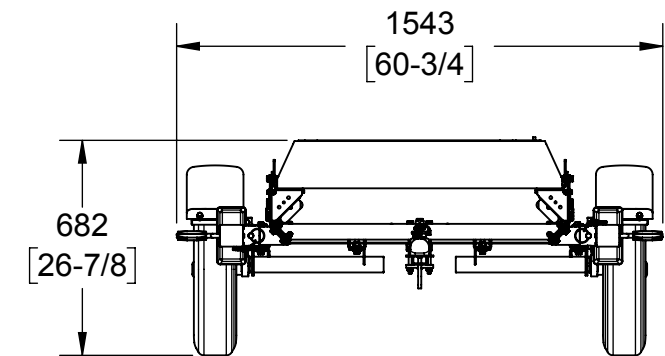
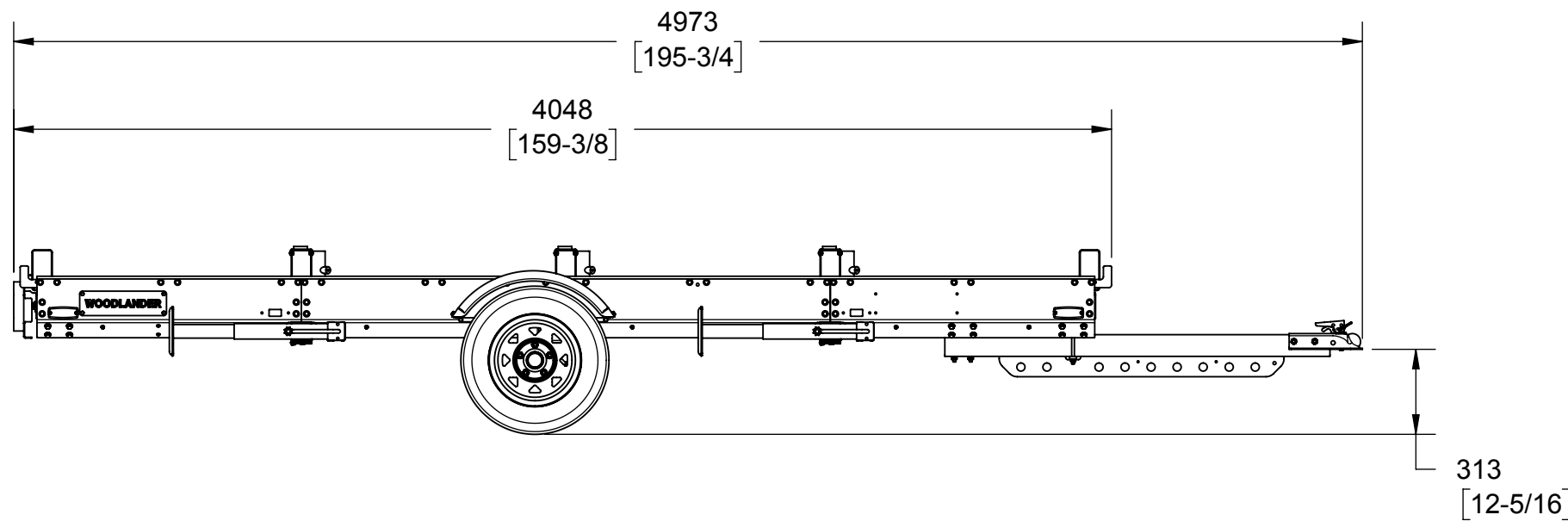
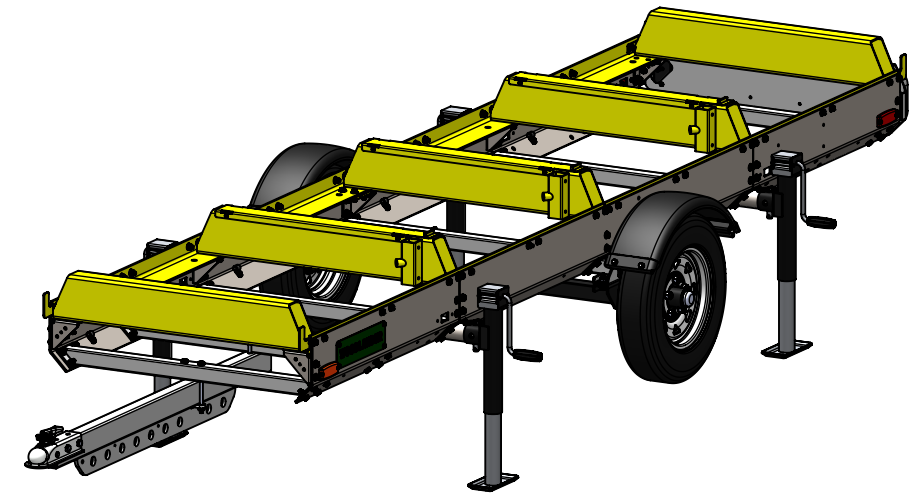
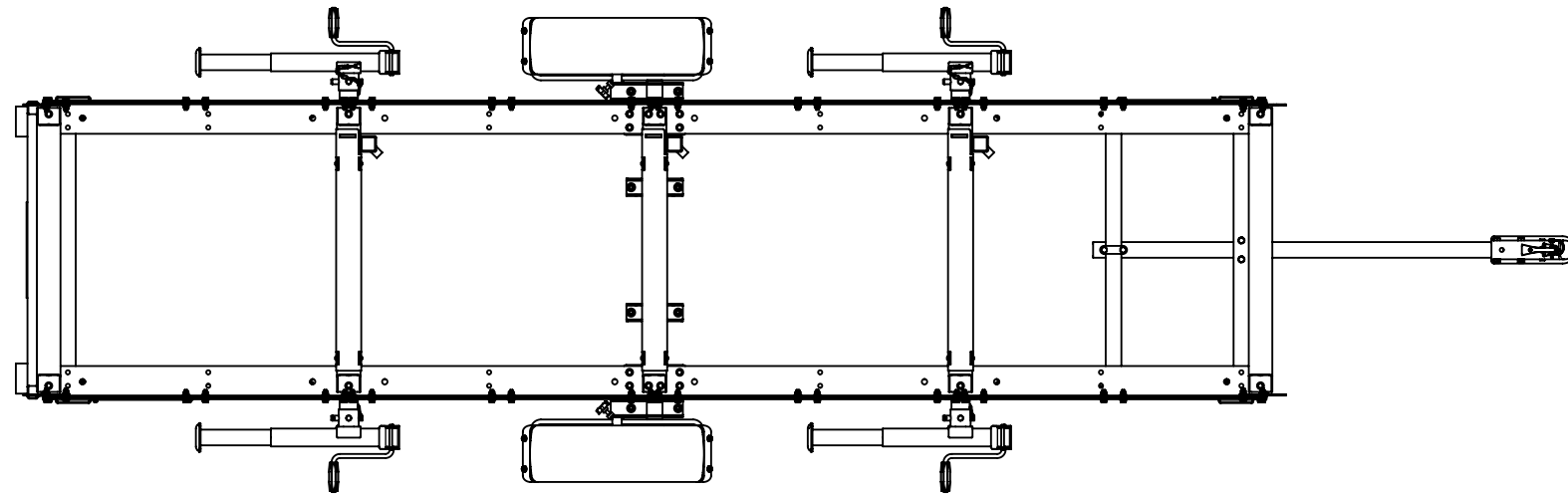


# WOODLANDER MAX: OVERALL DIMENSIONS



**NOTES:**

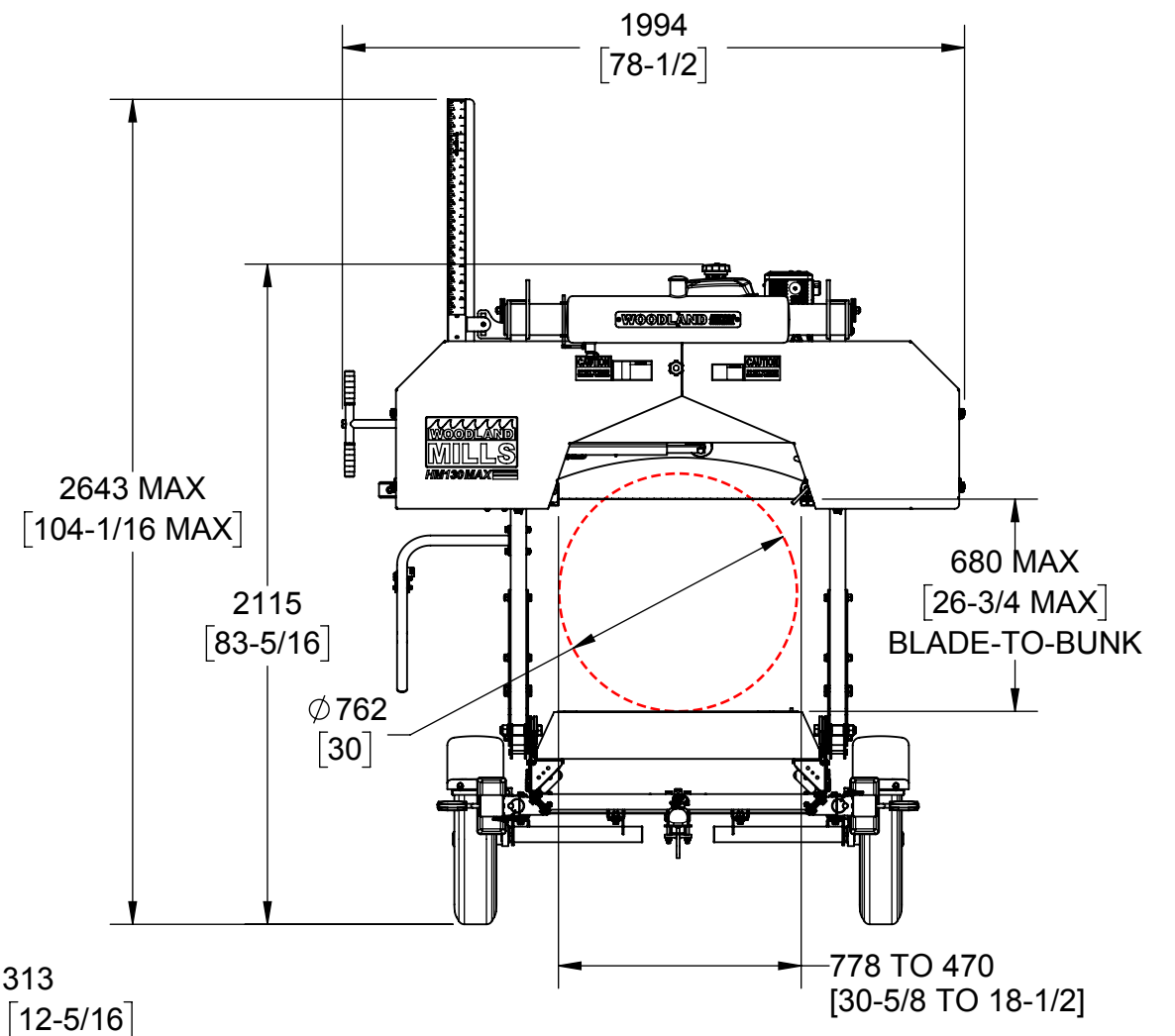
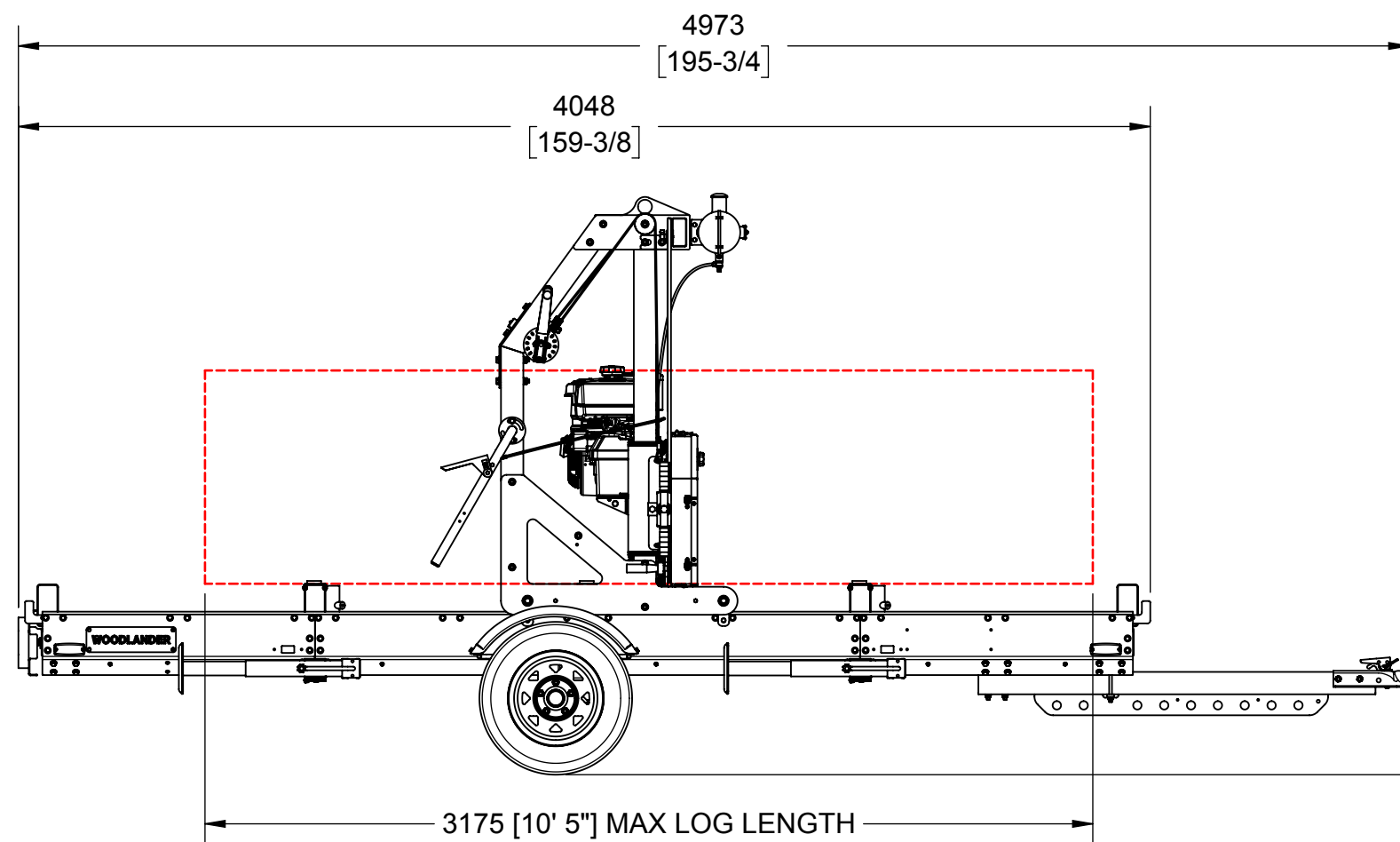
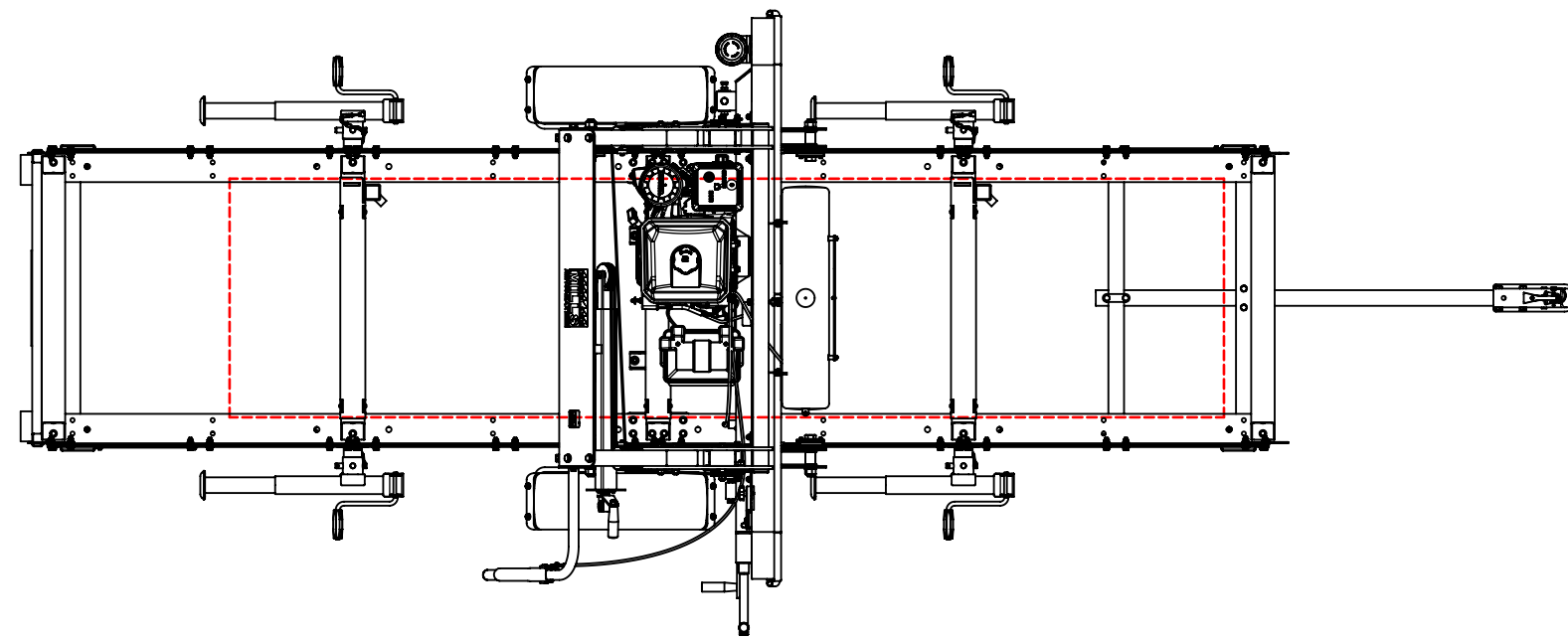
1. DIMENSIONS LOCATED WITHIN SQUARE BRACKETS [ ] ARE IN INCHES.
2. SAWMILL TRACK (HIGHLIGHTED YELLOW) SHOWN FOR REFERENCE ONLY. NOT INCLUDED WITH TRAILER.



WOODLAND MILLS FORESTRY EQUIPMENT  
171 NORTH PORT RD, UNIT #1  
PORT PERRY, ON L9L 1B2, CANADA  
1 (855) 476-6455

SIZE <b>A3</b>	DWG NO <b>WDLRMAX-2020</b>	REV
SCALE 1:24	DATE 17-12-2019	SHEET 1 OF 4

# WOODLANDER MAX W/ SAWMILL: OVERALL DIMENSIONS



**NOTES:**

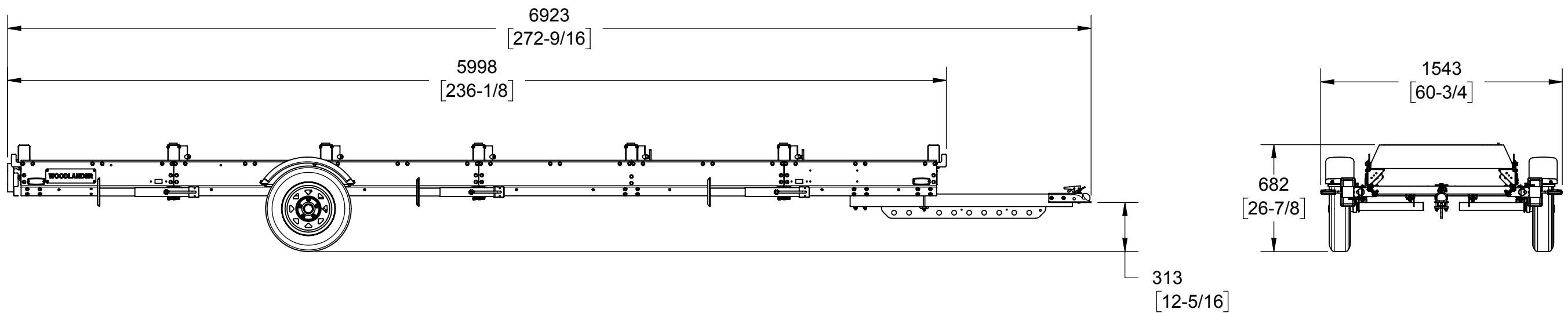
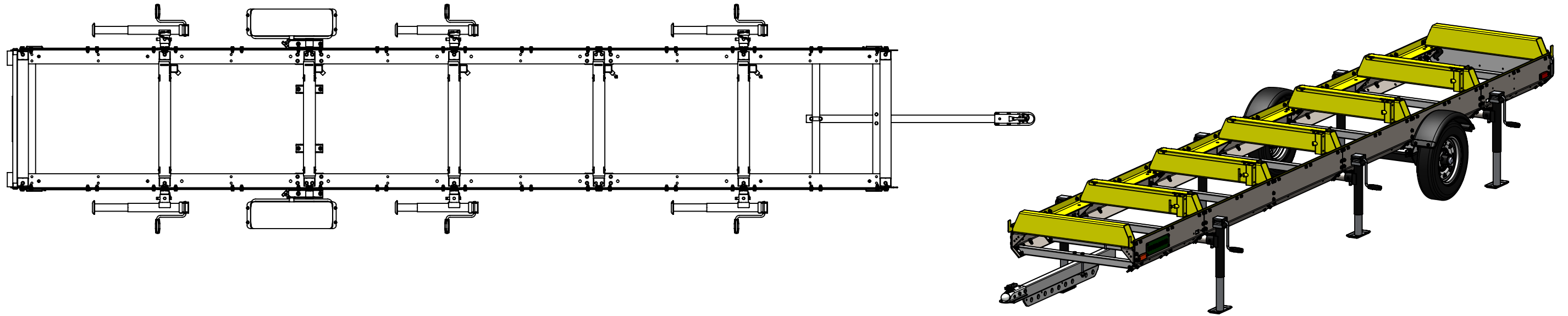
1. DIMENSIONS LOCATED WITHIN SQUARE BRACKETS [ ] ARE IN INCHES.



WOODLAND MILLS FORESTRY EQUIPMENT  
171 NORTH PORT RD, UNIT #1  
PORT PERRY, ON L9L 1B2, CANADA  
1 (855) 476-6455

SIZE <b>A3</b>	DWG NO <b>WDLRMAX-2020</b>	REV
SCALE 1:24	DATE 17-12-2019	SHEET 2 OF 4

# WOODLANDER XL MAX: OVERALL DIMENSIONS



**NOTES:**

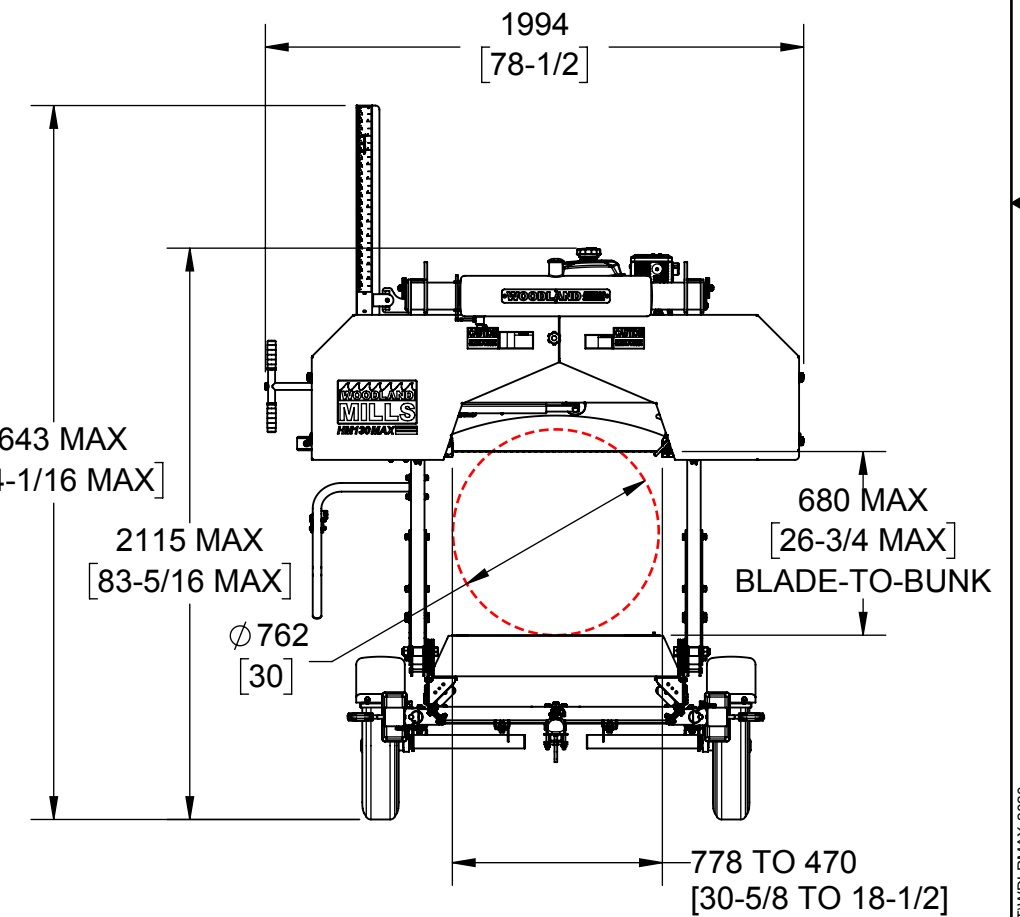
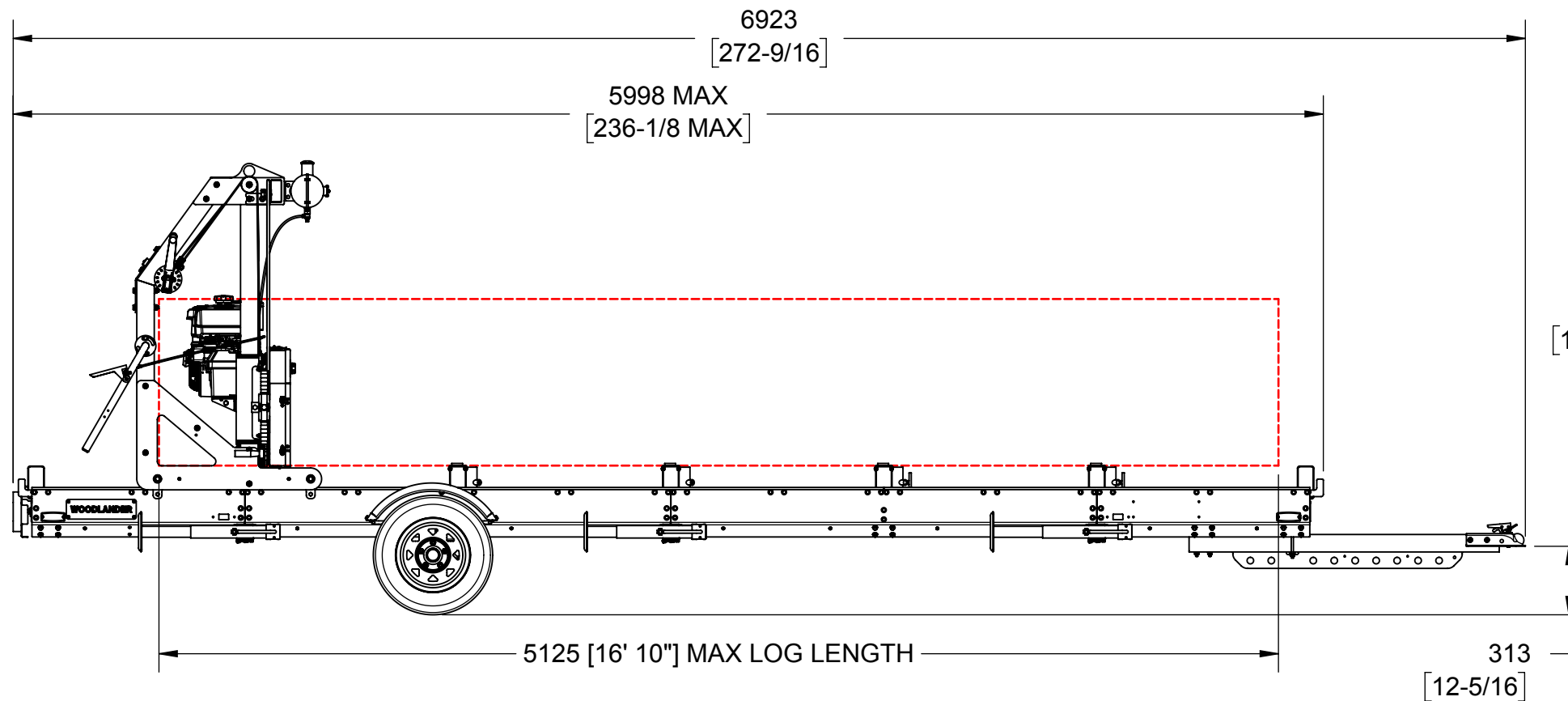
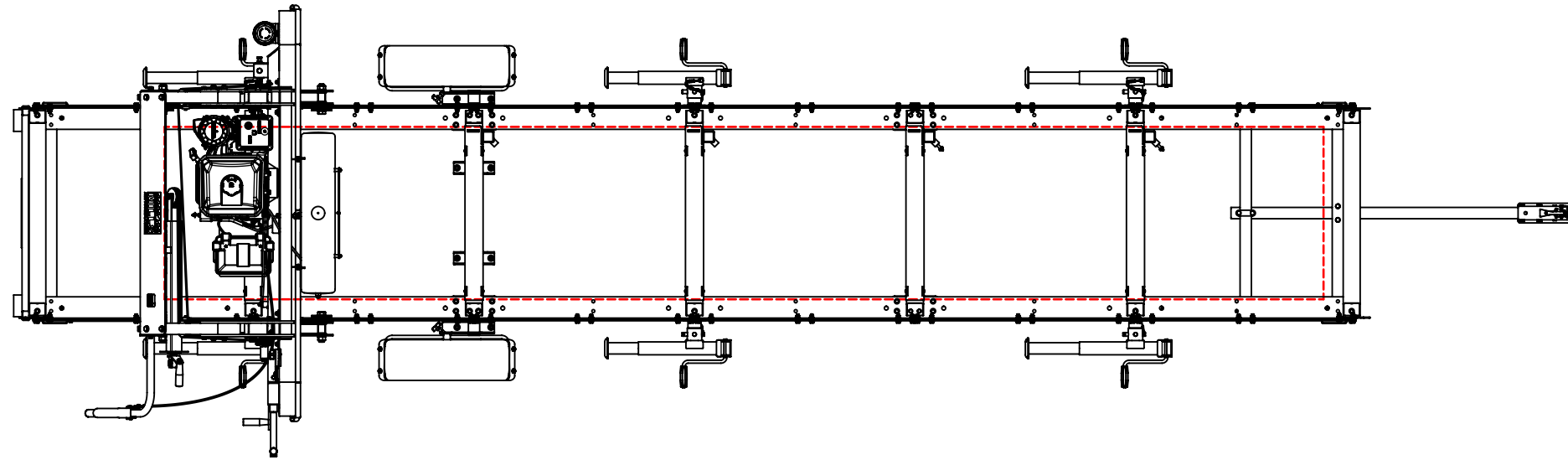
1. DIMENSIONS LOCATED WITHIN SQUARE BRACKETS [ ] ARE IN INCHES.
2. SAWMILL TRACK (HIGHLIGHTED YELLOW) SHOWN FOR REFERENCE ONLY. NOT INCLUDED WITH TRAILER.



WOODLAND MILLS FORESTRY EQUIPMENT  
 171 NORTH PORT RD, UNIT #1  
 PORT PERRY, ON L9L 1B2, CANADA  
 1 (855) 476-6455

SIZE <b>A3</b>	DWG NO <b>WDLRMAX-2020</b>	REV
SCALE 1:28	DATE 17-12-2019	SHEET 3 OF 4

# WOODLANDER XL MAX W/ SAWMILL: OVERALL DIMENSIONS



**NOTES:**

1. DIMENSIONS LOCATED WITHIN SQUARE BRACKETS [ ] ARE IN INCHES.



WOODLAND MILLS FORESTRY EQUIPMENT  
171 NORTH PORT RD, UNIT #1  
PORT PERRY, ON L9L 1B2, CANADA  
1 (855) 476-6455

SIZE <b>A3</b>	DWG NO <b>WDLRMAX-2020</b>	REV
SCALE 1:28	DATE 17-12-2019	SHEET 4 OF 4