

WOODLANDER™ XL SAWMILL TRAILER



WDLRXL-MY2020: Rev A
Publication Date: 27-Sep-2019

OPERATOR'S MANUAL



The Woodlander™ XL is compatible with HM126, HM130 & HM130MAX sawmills. Woodlander™ is a trademark of Woodland Mills, Inc.

This page intentionally left blank.



TABLE OF CONTENTS

TABLE OF CONTENTS	1
INTRODUCTION	3
GENERAL SAFETY RULES	4
INSPECTION/MAINTENANCE	4
TECHNICAL SPECIFICATIONS	5
BOLT TORQUE SPECIFICATIONS	5
TRAILER ASSEMBLY	6
1. TOOLS REQUIRED	6
2. UNPACKING	7
3. TRACK RAILS, JOINING GUSSETS, MIDDLE BUNK	8
4. LONG SIDE PLATES, JOINING GUSSETS	10
5. TRACK RAILS, END BUNKS, END GUSSETS	12
6. JACK STANDS [TEMPORARY]	14
7. JOINING BUNKS, JOINING GUSSETS	15
8. MIDDLE BUNKS, JOINING GUSSETS	17
9. SHORT SIDE PLATES, CARRIAGE STOPS	19
10. CROSS BEAMS, JACK MOUNTS [ENDS]	22
11. CROSS BEAM, JACK MOUNTS [CENTRE]	25
12. CROSS BEAMS, AXLE CROSS BEAM, AXLE MOUNTS	27
13. AXLES	29
14. WHEELS	31
15. FENDERS	32
16. TONGUE, HITCH COUPLER	34
17. LIGHTING	36
18. BADGES	39
19. SAFETY CHAIN	41
20. HEAD LOCK-DOWN PLATES	42



NORTH AMERICAN PARTS LIST	45
EUROPEAN PARTS LIST	47
EXPLODED VIEWS	49
COMPLETE ASSEMBLY	49
CHASSIS AND TRACK	50
TONGUE	51
NORTH AMERICA	51
EUROPE	51
AXLES, WHEELS, AND FENDERS	52
LIGHTING	53
NORTH AMERICA	53
EUROPE	54
BADGES	55
HEAD LOCK-DOWN PLATES	56
NOTES	57



INTRODUCTION

Congratulations on your purchase and welcome to Woodland Mills! This manual gives you the necessary information about your Woodlander™ XL sawmill trailer so you will be able to use it properly. The entire manual must be read and understood before using the trailer. If any questions should arise that are not covered by this manual, please contact Woodland Mills, Inc.

OWNER'S RECORD

Please take a moment to record the following information about your Woodlander™ sawmill trailer. If you need to call for assistance, please be ready to provide your model and serial numbers. This information will allow us to help you more quickly when you call.

MODEL NUMBER

SERIAL NUMBER

DATE OF PURCHASE

The Woodlander™ sawmill trailer is compatible with HM126, HM130 & HM130MAX sawmill and track systems for milling logs while the trailer is stationary and firmly supported on the ground. It is not intended to carry any additional weight or be used as a utility trailer.

The Woodlander™ XL sawmill trailer is designed for certain applications only. We strongly recommend the trailer not be modified and/or used for any application other than that for which it was designed. If you have any questions relative to a particular application, DO NOT use the trailer until you have first contacted Woodland Mills to determine if it can or should be performed using the product.

For technical questions and replacement parts, please contact Woodland Mills, Inc.



****SAVE THESE INSTRUCTIONS****

GENERAL SAFETY RULES



WARNING!

Read and understand all instructions. Failure to follow all instructions listed below may result serious injury.



WARNING!

The warnings, cautions, and instructions discussed in this instruction manual cannot cover all possible conditions or situations that could occur. It must be understood by the operator that common sense and caution are factors which cannot be built into this product but must be supplied by the operator.

INSPECTION/MAINTENANCE

- Check the tires before all trips. Make sure they are inflated to the pressure shown on the tire.
- Grease the axle bearings every 3 months or 1000 miles (1600 km), whichever comes first.
- Check the tow hitch ball coupler. Make sure it is not damaged.
- Check the wheel lug nuts before all trips. Make sure they are torqued properly.
- Check the lights. Make sure all the lights work properly. Replace any lights that do not work.
- Inspect trailer before all trips for any damaged or loose parts.



TECHNICAL SPECIFICATIONS

Item	Specification
Trailer Axle	Independent Torsion Axle Design
Trailer Wheels	5 Bolts @ 4.5" (114 mm) & 5.30-12 DOT Approved Tires
Tire Pressure	Refer to Tire
Wheel Nut Torque	80 ft•lb / 110 N•m
Trailer Ball Coupler	2" / 50 mm
Trailer Lights	LED Light Kit (stop, turn, tail, side markers, and license plate light)
Finish	Powder Coat Paint / Galvanized Steel
Fenders	Removable
Safety	Locking pins and safety straps to secure sawhead while travelling

BOLT TORQUE SPECIFICATIONS

Bolt (Thread Size)	Torque
M5	78 in•lb / 9 N•m
M6	133 in•lb / 15 N•m
M8	333 in•lb / 38 N•m
M10	53 ft•lb / 72 N•m
M12	93 ft•lb / 126 N•m



TRAILER ASSEMBLY

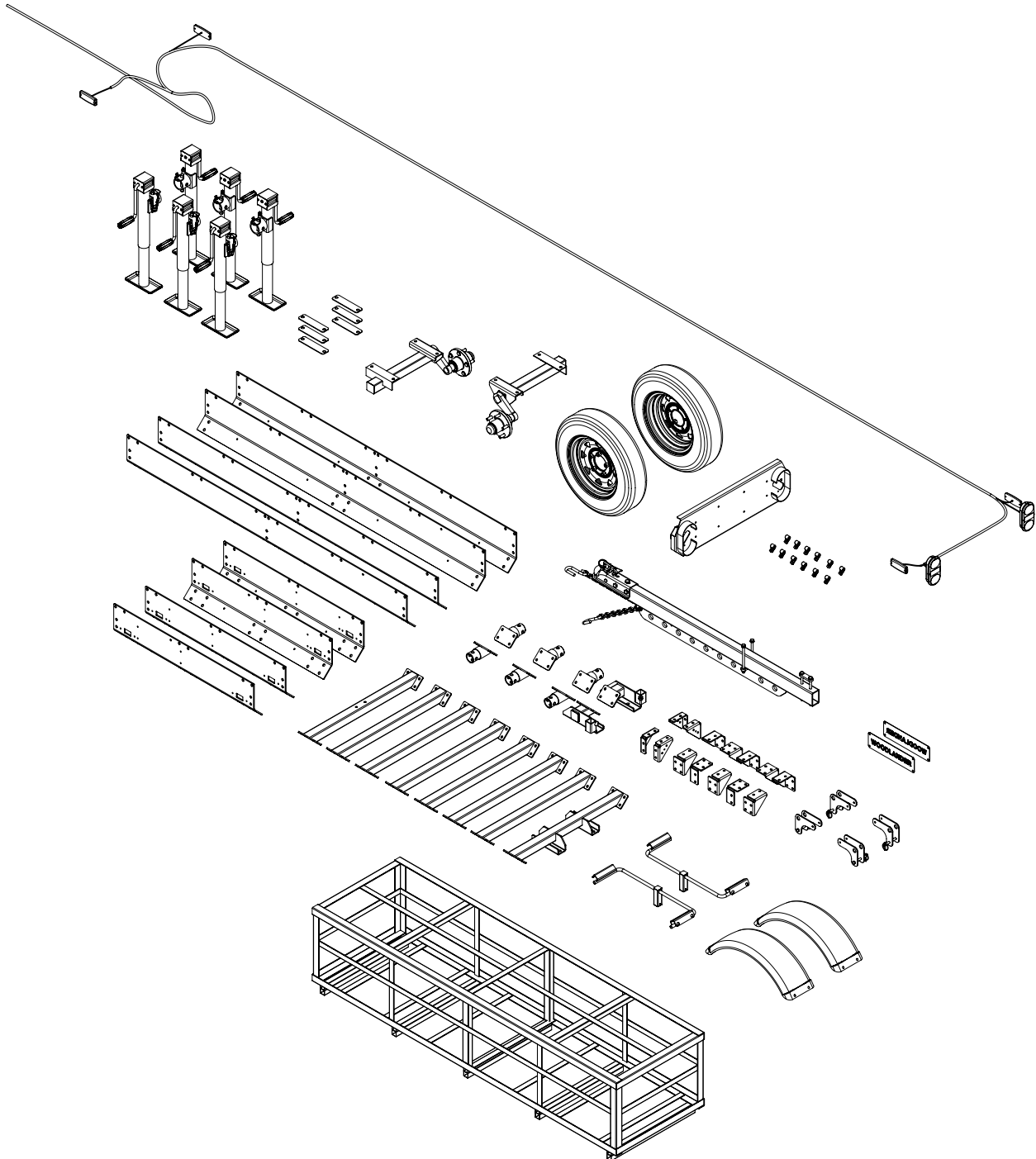
1. TOOLS REQUIRED

Tool	Specification
Phillips Head Screwdriver	No. 3
Wrench/Socket	8 mm
Wrench/Socket	9 mm
Wrench/Socket	10 mm
Wrench/Socket	13 mm
Wrench/Socket	14 mm
Wrench/Socket	15 mm
Wrench/Socket	18 mm
Adjustable Wrench	Variable
Torque Wrench	Capable of 93 ft•lb (126 N•m)
Drill	Corded or cordless



2. UNPACKING

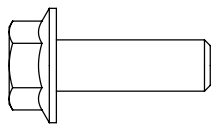
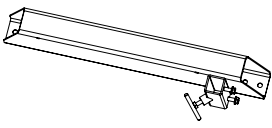

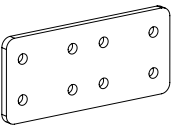
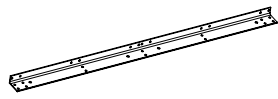
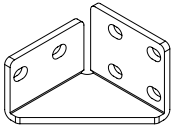
Remove all the parts from the steel crate. Set the crate aside as it will be used as a support for several of the following steps.





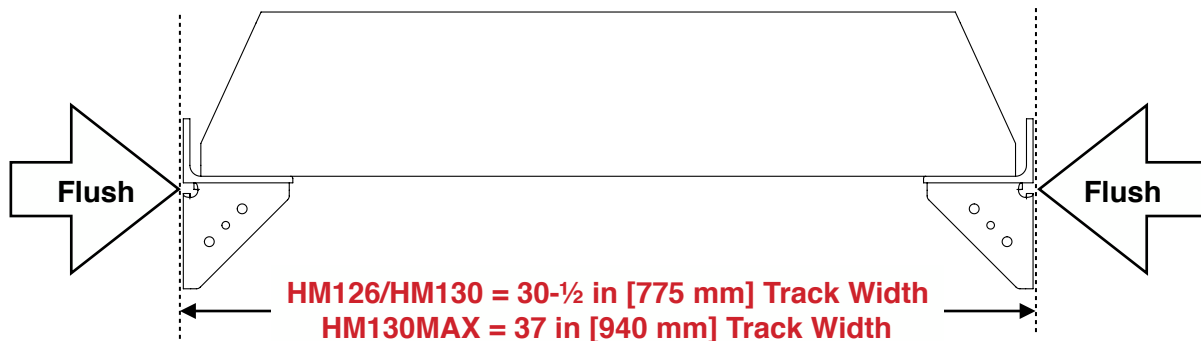
3. TRACK RAILS, JOINING GUSSETS, MIDDLE BUNK

Using the hardware listed below, assemble the gussets to the track as shown on the next page. Torque all bolts per the table in section **BOLT TORQUE SPECIFICATIONS**.

12x	M10 X 30 mm Flanged Hex Bolt		1x	Middle Bunk	
12x	M10 Flanged Lock Nut		4x	Joining Plate	
2x	Track Rail		2x	Joining Gusset	

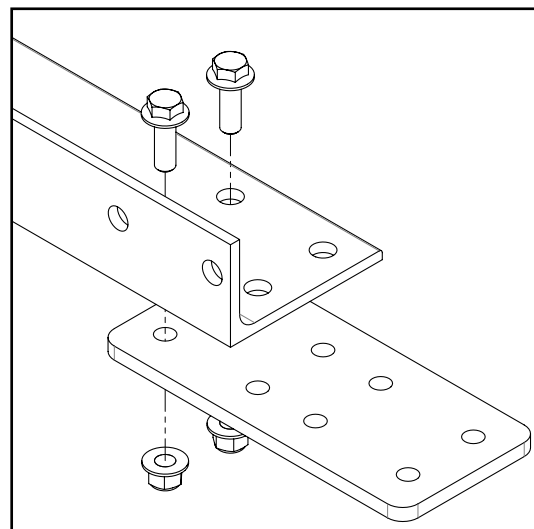
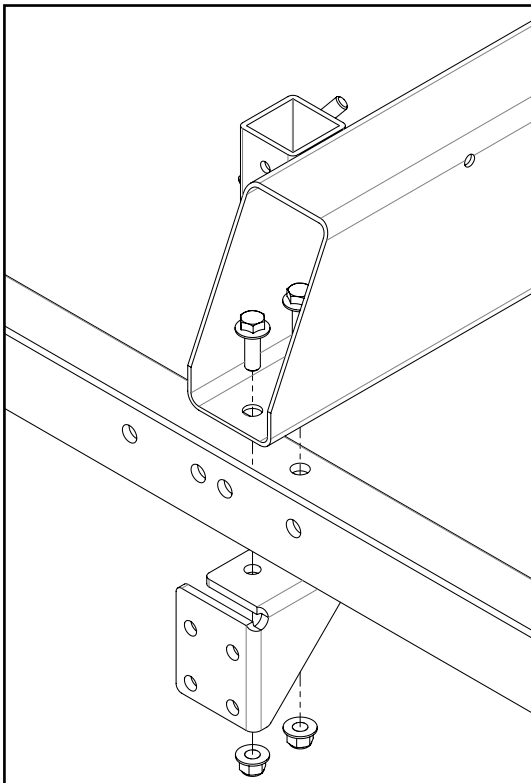
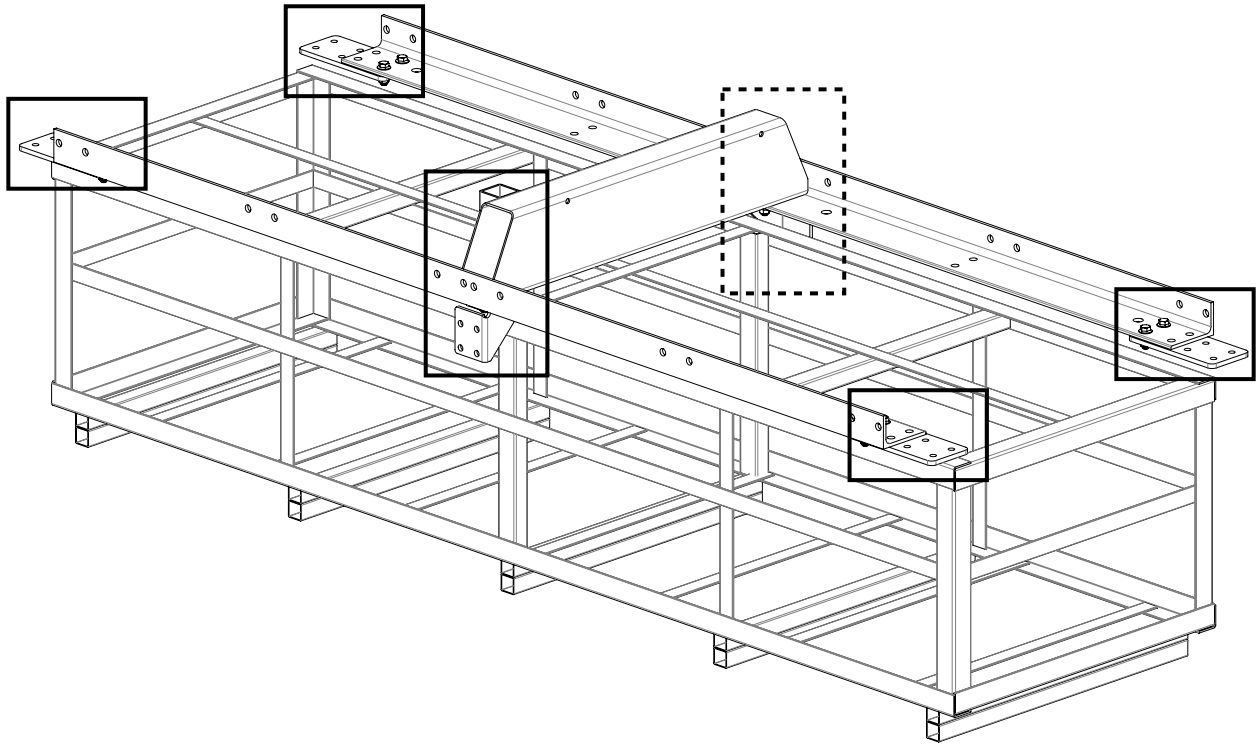
Track components listed in these tables are *not* included with the trailer package, namely track rails, joining plates, bunks, and carriage stops. These components are found in the sawmill crate. If the trailer was purchased for an existing sawmill (i.e. the sawmill is currently assembled), the track will need to be disassembled prior to building the trailer.

When assembling the track, ensure the gussets are flush with the track rails as shown in the graphic below. Measure diagonally to check for squareness.



Use the fasteners included with the sawmill trailer to assemble the track. The fasteners included with the sawmill track will *not* be used.

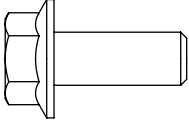
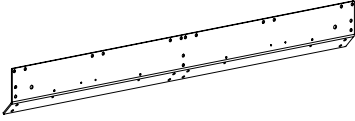
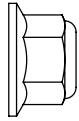
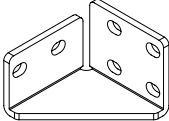


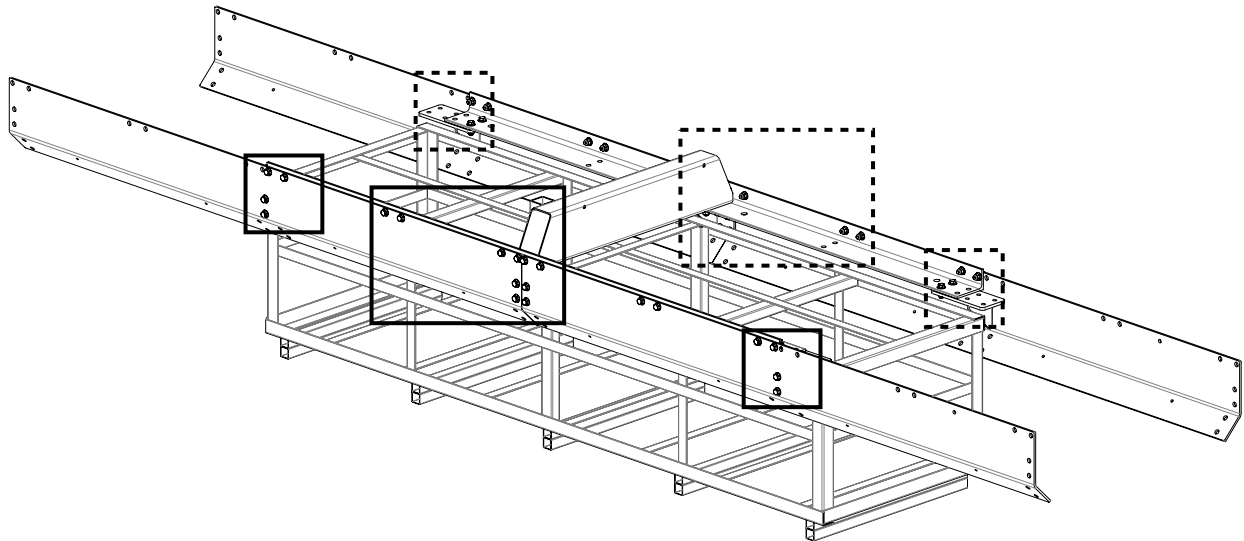


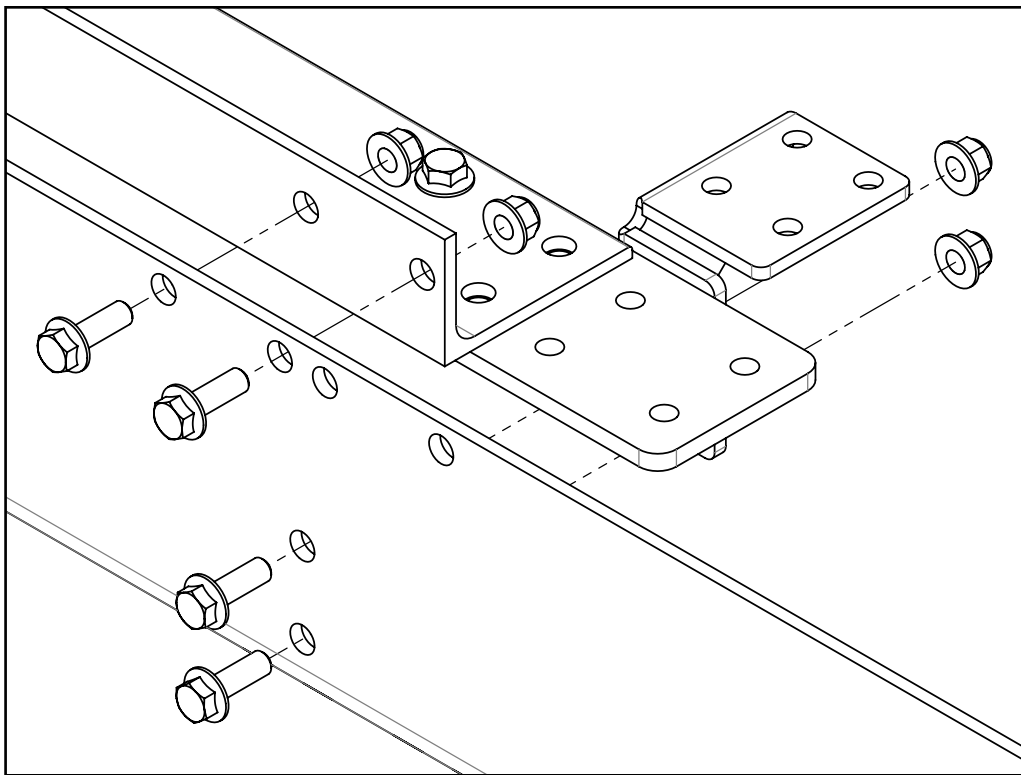
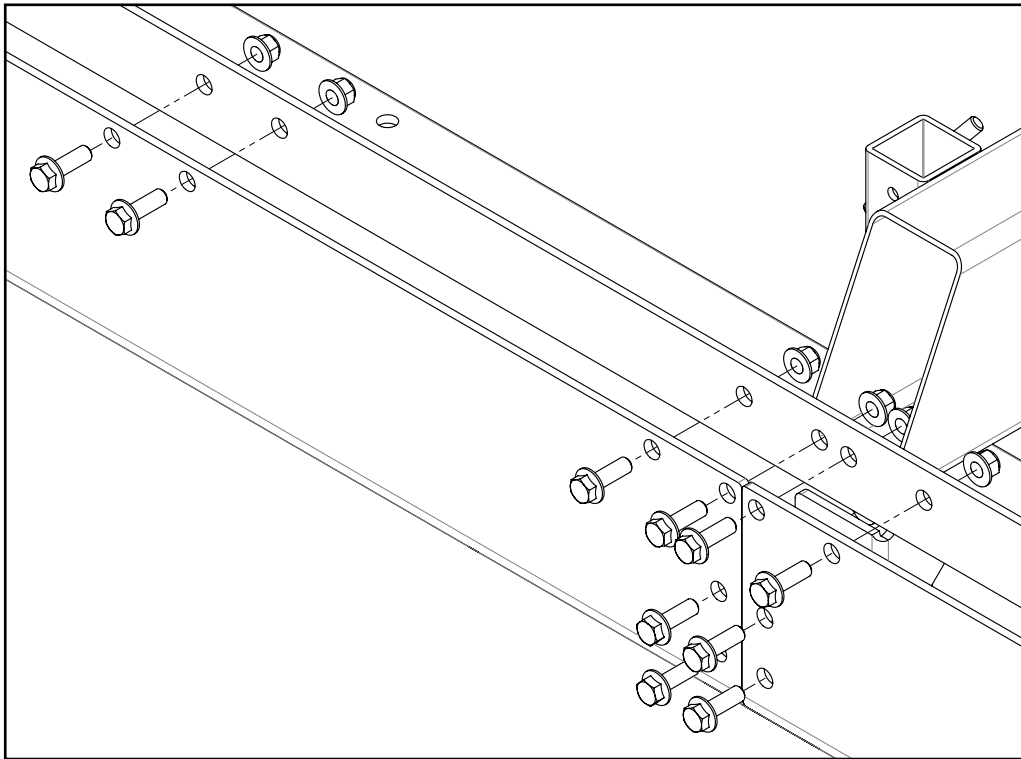


4. LONG SIDE PLATES, JOINING GUSSETS

Using the hardware listed below, hang the long side plates on the centre track section. Snug the bolts up, but leave them loose enough to move the plates.

40x	M10 X 30 mm Flanged Hex Bolt		4x	Long Side Plate	
40x	M10 Flanged Lock Nut		4x	Joining Gusset	

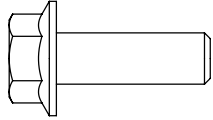

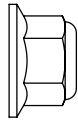
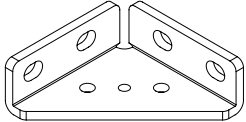
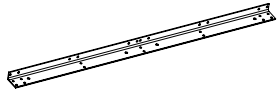


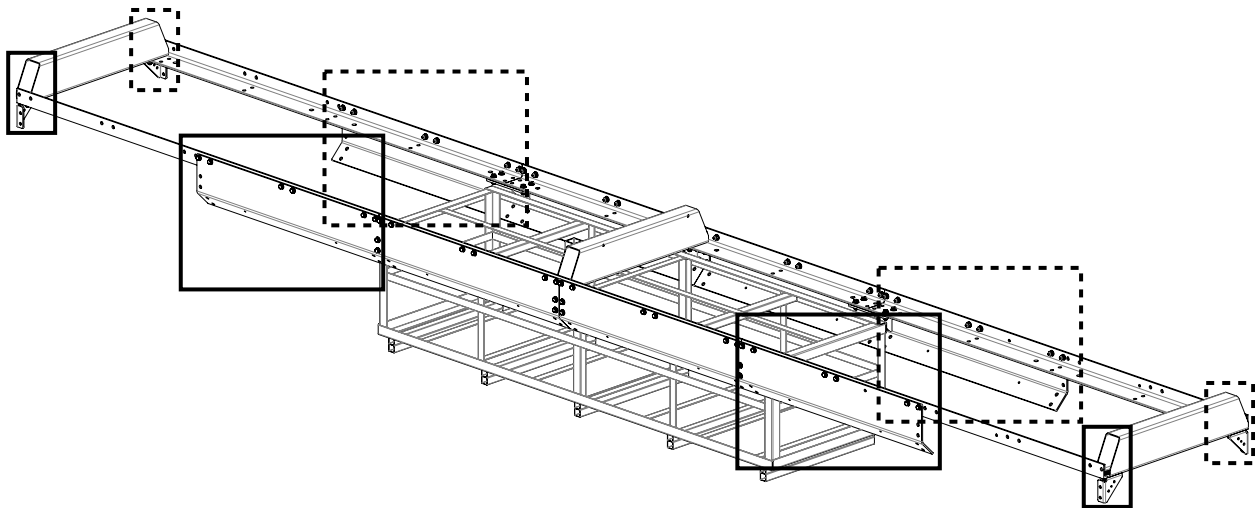


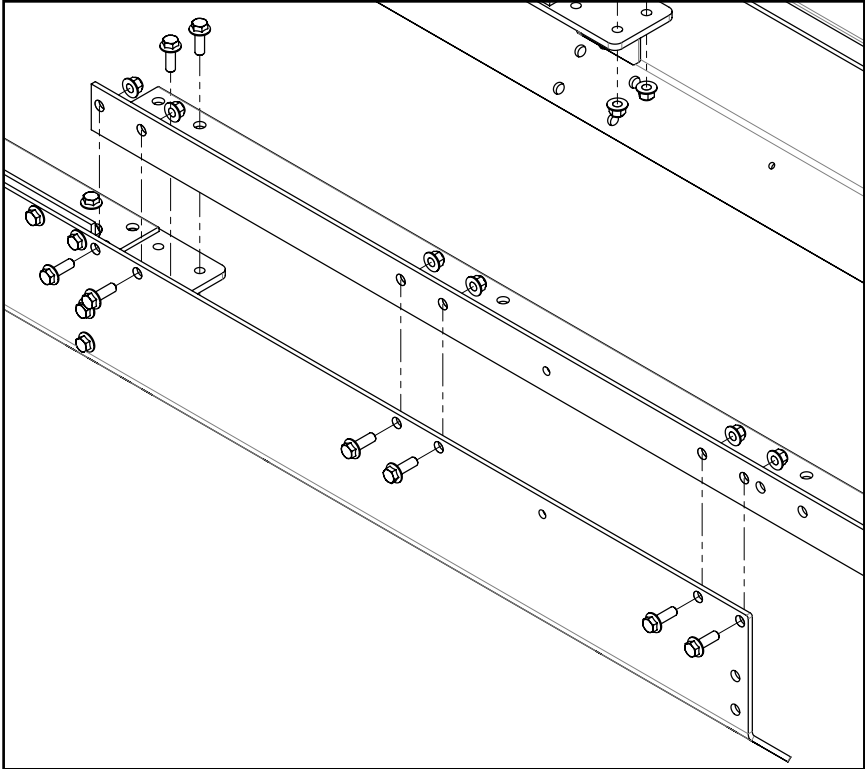
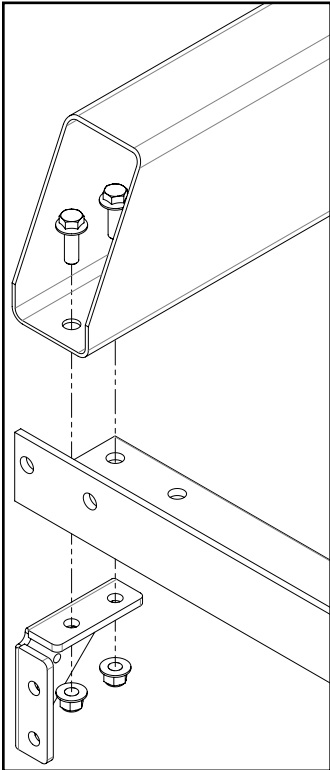


5. TRACK RAILS, END BUNKS, END GUSSETS

Using the hardware listed below, add the remaining track sections and end bunks. Leave the bolts loose.

40x	M10 X 30 mm Flanged Hex Bolt		2x	End Bunk	
40x	M10 Flanged Lock Nut		4x	End Gusset	
			4x	Track Rail	

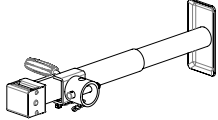


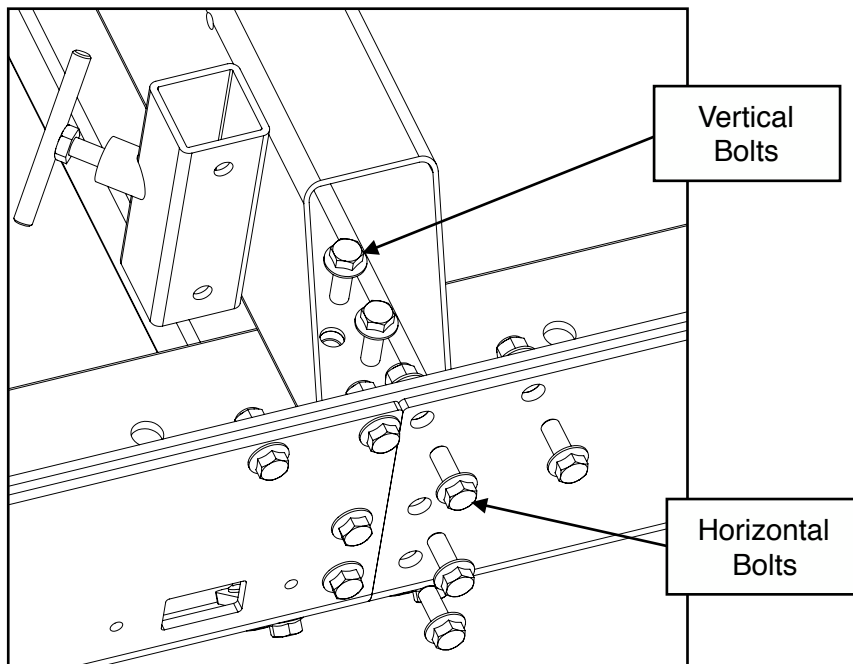
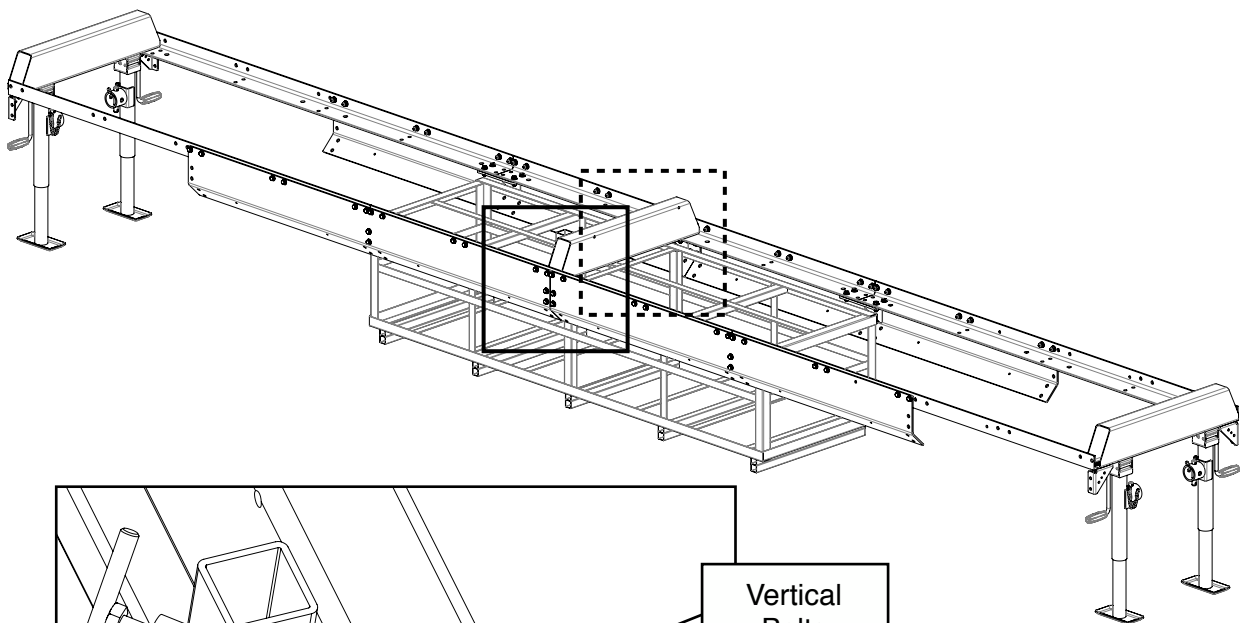




6. JACK STANDS [TEMPORARY]

Using 4 jack stands, place 2 under each end bunk and level the assembly. Measure diagonally to check for squareness. Tighten all of the vertical track rail bolts. Leave the horizontal bolts that pass through the side plates loose.

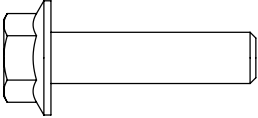
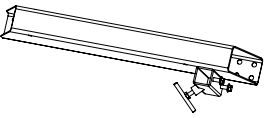
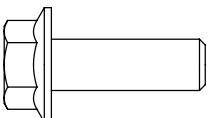
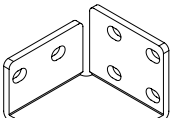
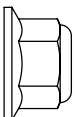
4x	Jack Stand	
----	------------	---

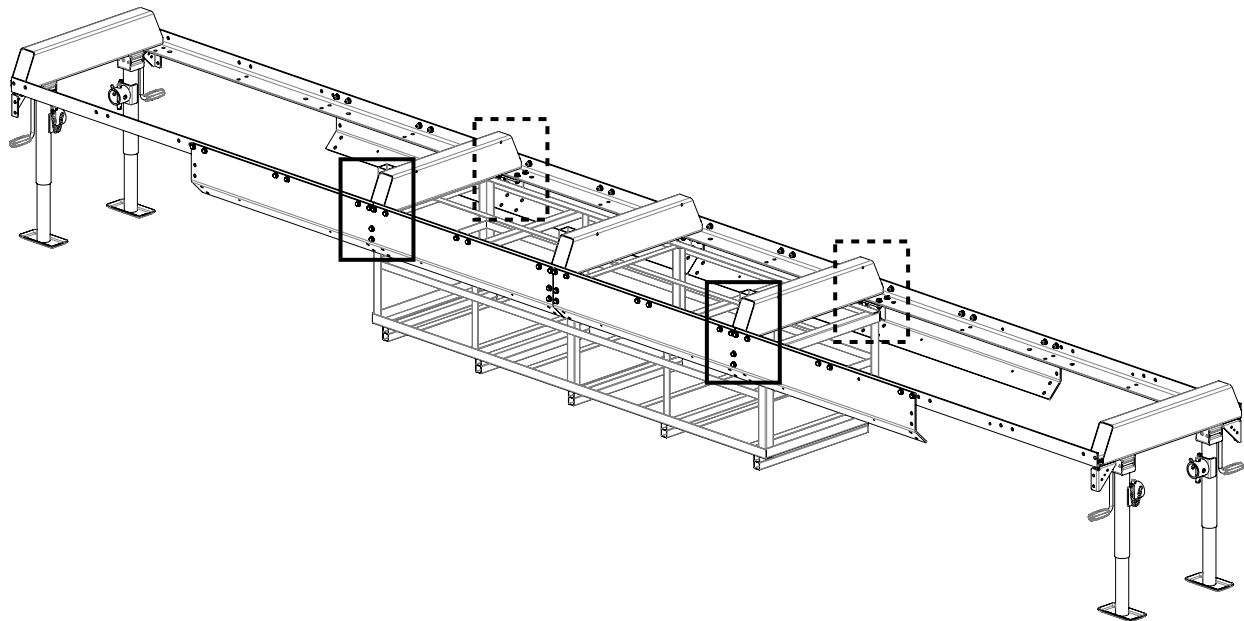


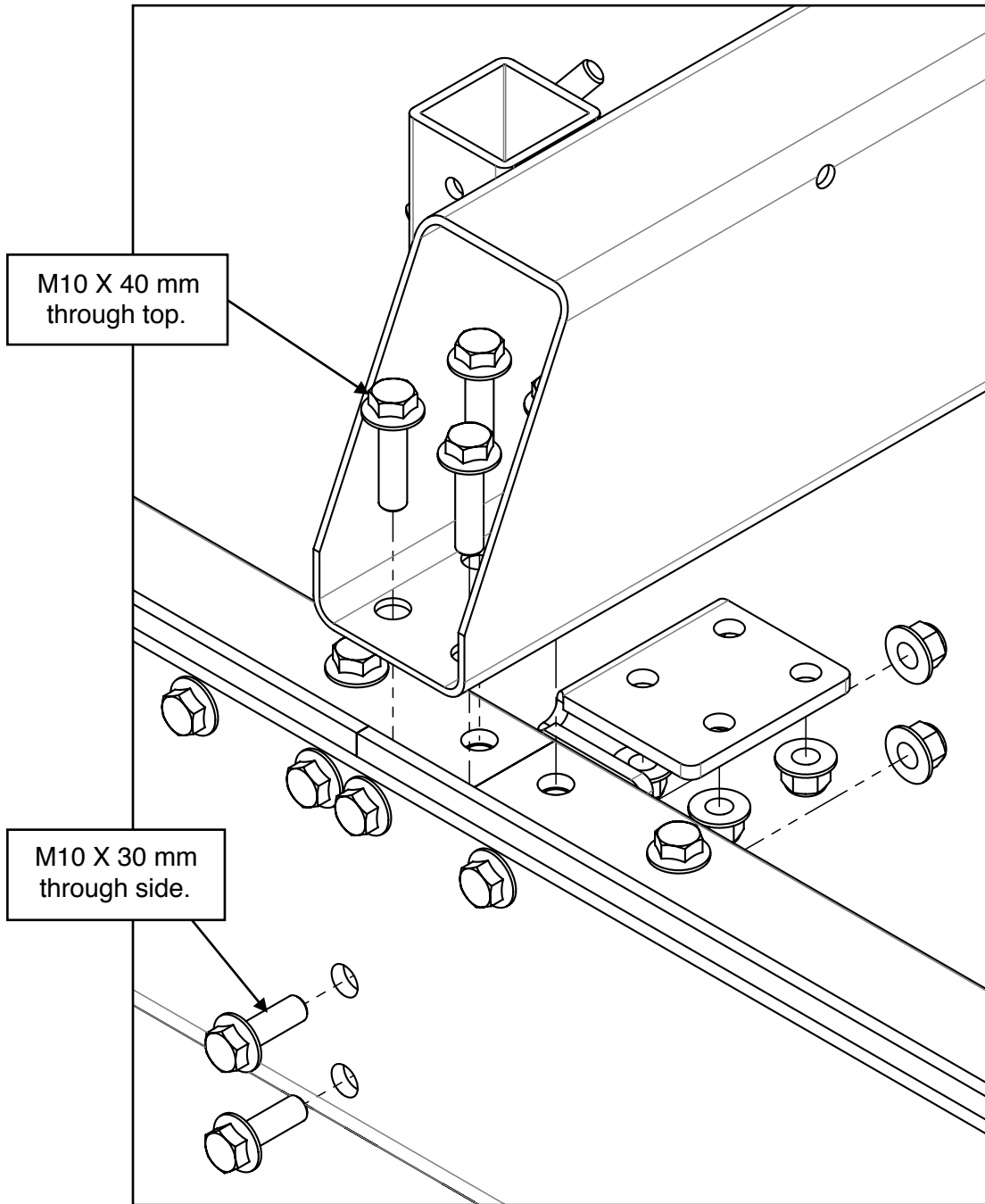


7. JOINING BUNKS, JOINING GUSSETS

Using the hardware listed below, install the joining bunks and joining gussets. Use the M10 X 40 mm bolts through the bunks and the M10 X 30 bolts in the side plates. Tighten all the bolts in this step.

16x	M10 X 40 mm Flanged Hex Bolt		2x	Joining Bunk	
8x	M10 X 30 mm Flanged Hex Bolt		4x	Joining Gusset	
24x	M10 Flanged Lock Nut				

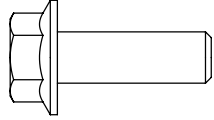
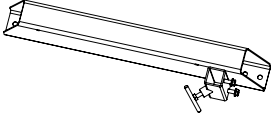

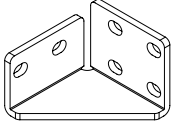


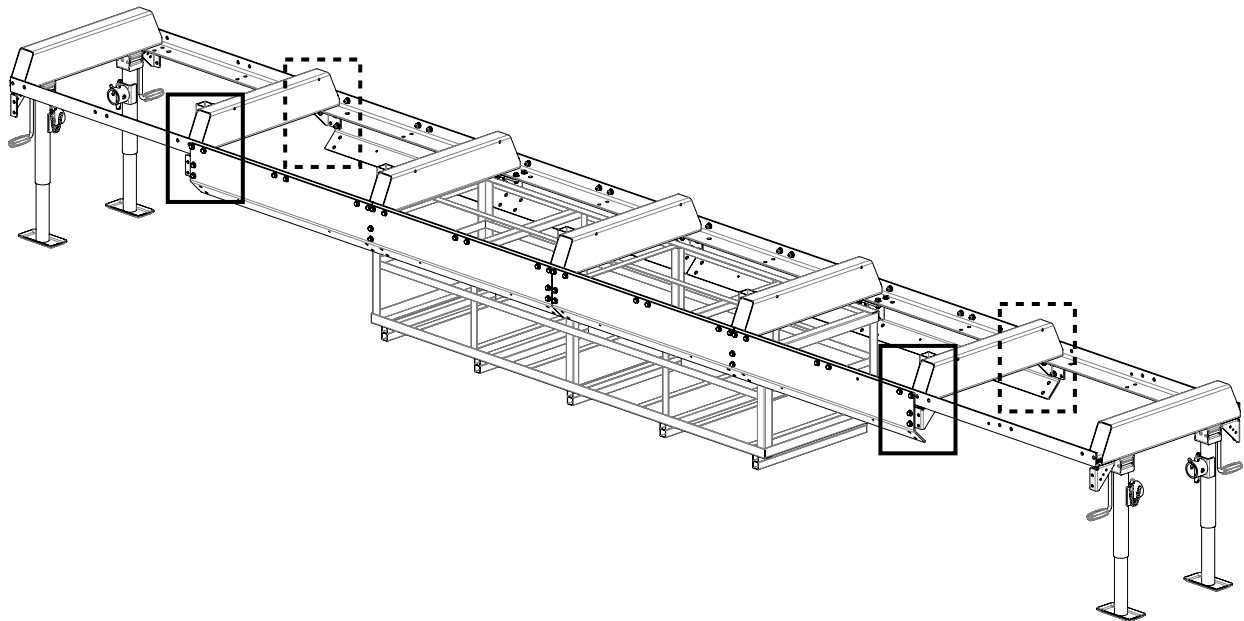


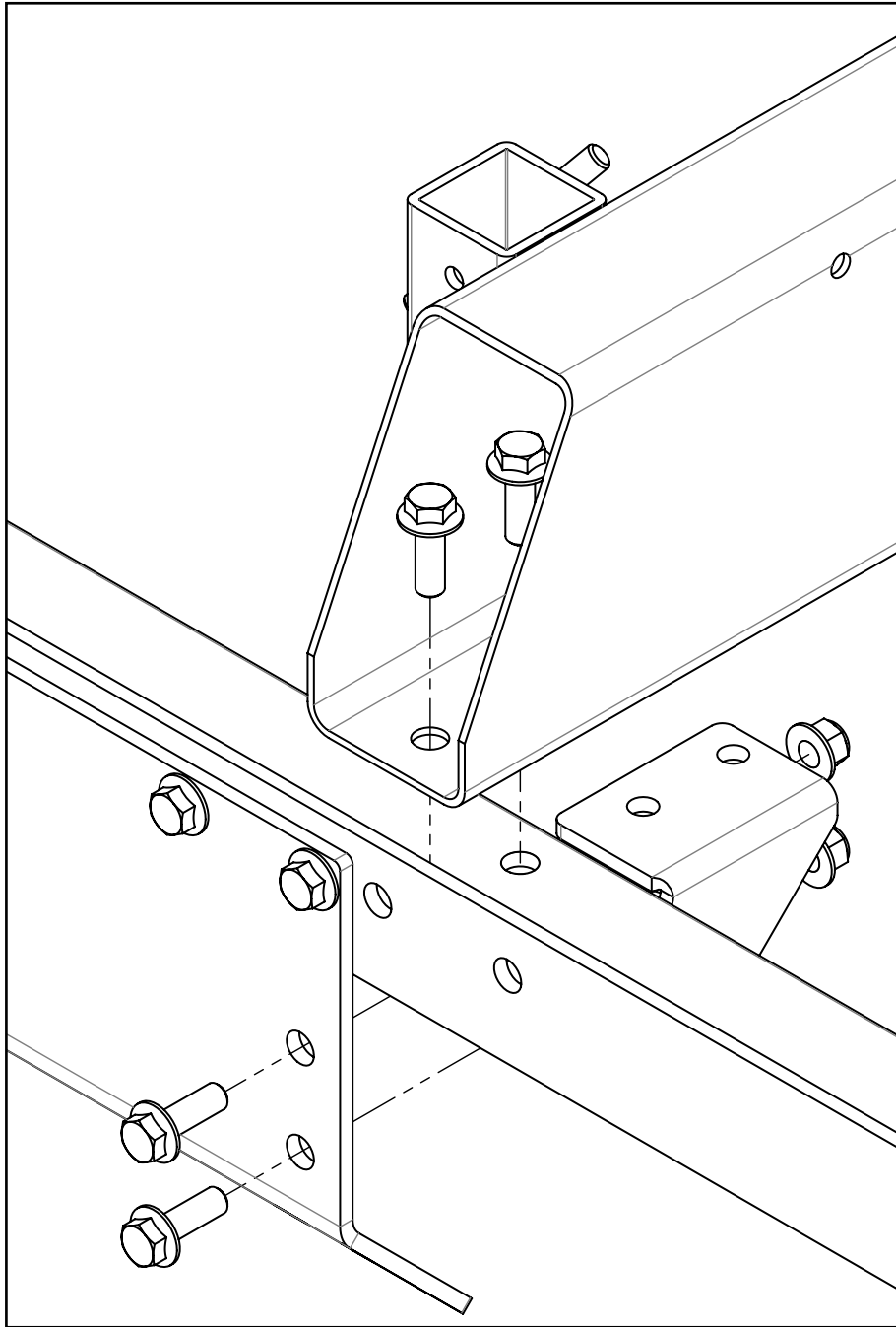


8. MIDDLE BUNKS, JOINING GUSSETS

Using the hardware below, install the remaining bunks and gussets. Tighten the bolts in this step.

16x	M10 X 30 mm Flanged Hex Bolt		2x	Middle Bunk	
16x	M10 Flanged Lock Nut		4x	Joining Gusset	

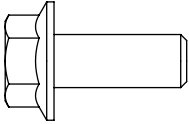
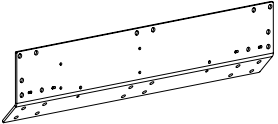
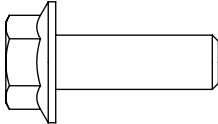
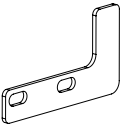
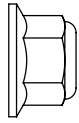


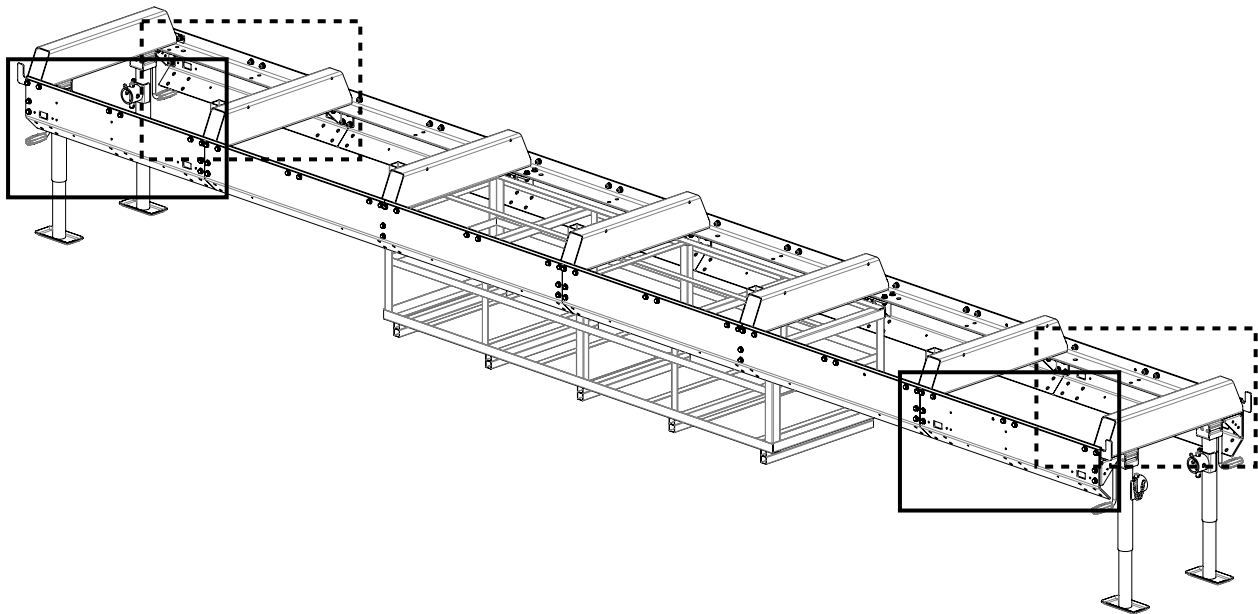


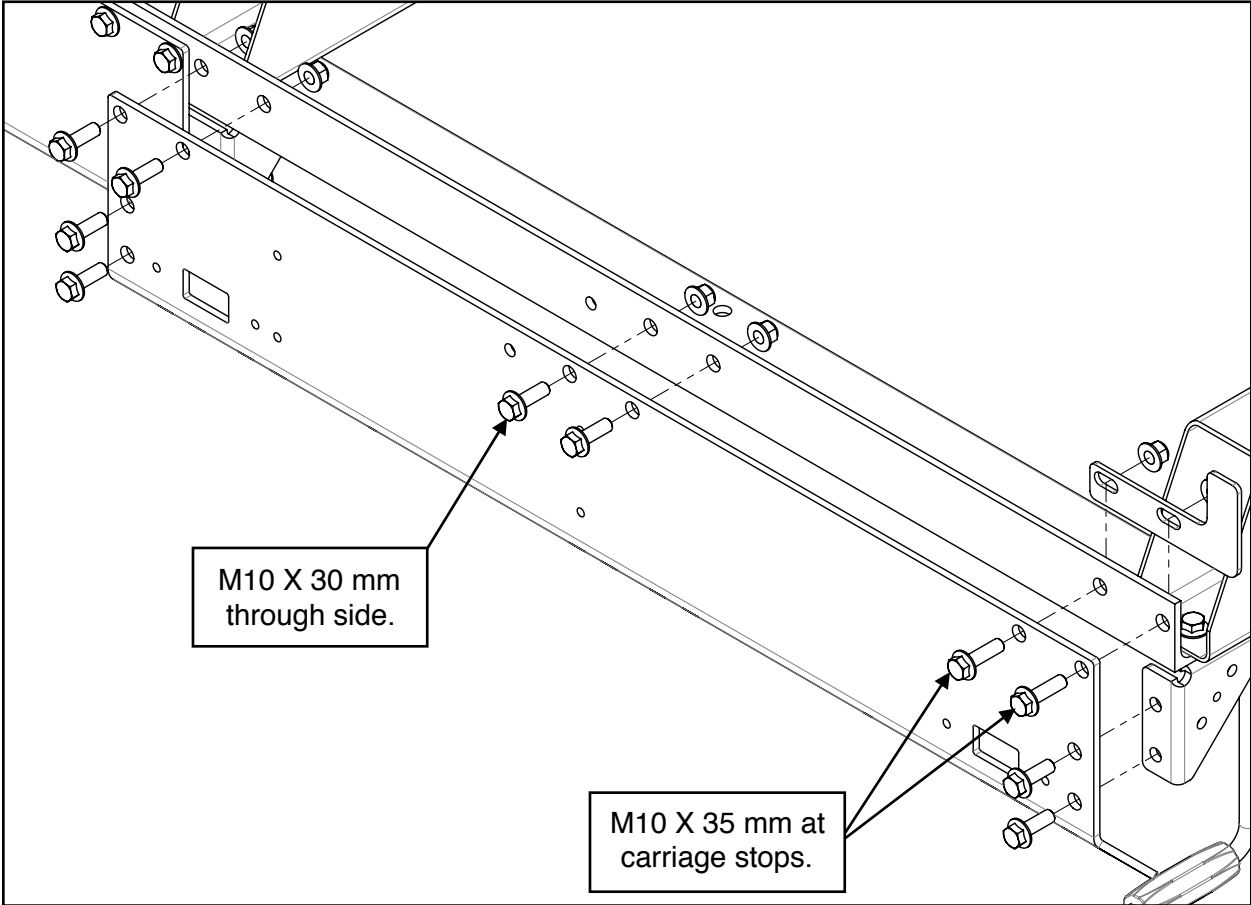


9. SHORT SIDE PLATES, CARRIAGE STOPS

Using the hardware listed below, install the short side plate and carriage stops. The M10 X 35 mm bolts are used at the 4 carriage stop locations. Tighten all of the side plate bolts starting from the centre moving outward. The carriage stops can be fully adjusted once the sawhead is back on the track.

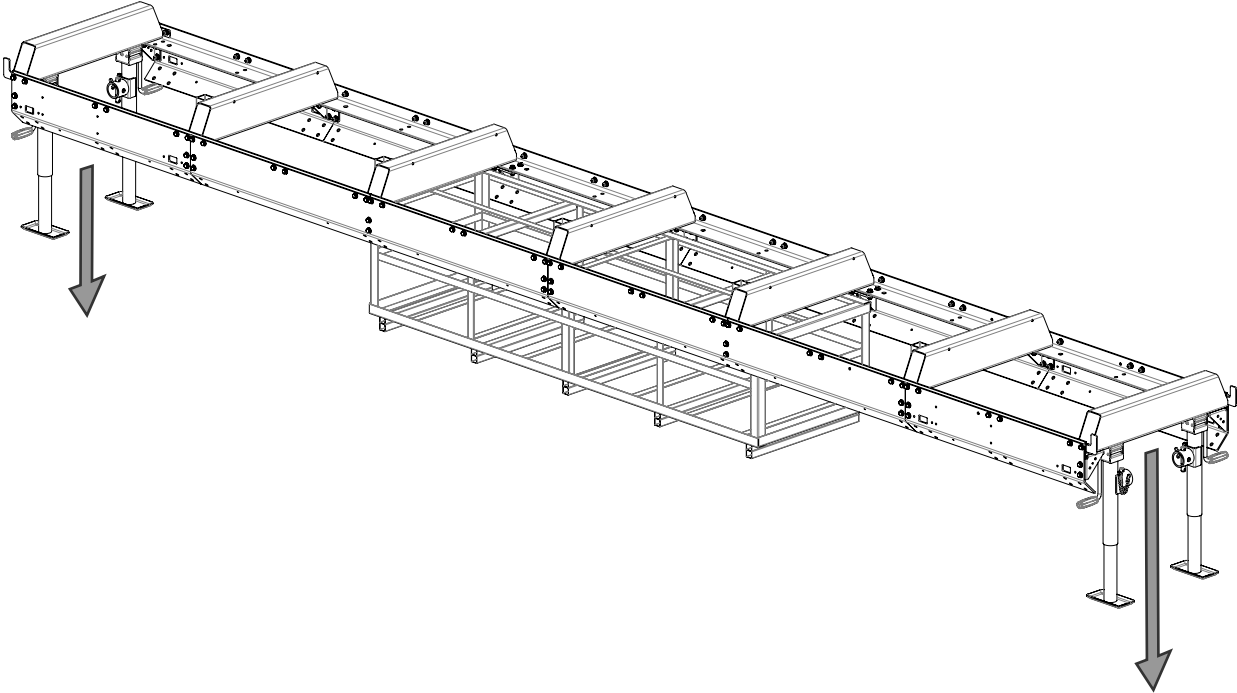
24x	M10 X 30 mm Flanged Hex Bolt		4x	Short Side Plate	
8x	M10 X 35 mm Flanged Hex Bolt		4x	Carriage Stop	
32x	M10 Flanged Lock Nut				







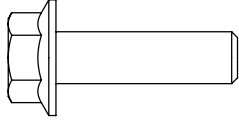
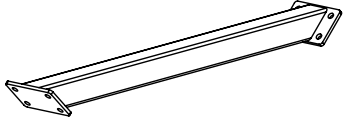
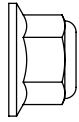
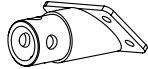
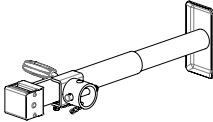
With all of the bolts now tightened, lower the jacks so that the assembly is resting on the crate.

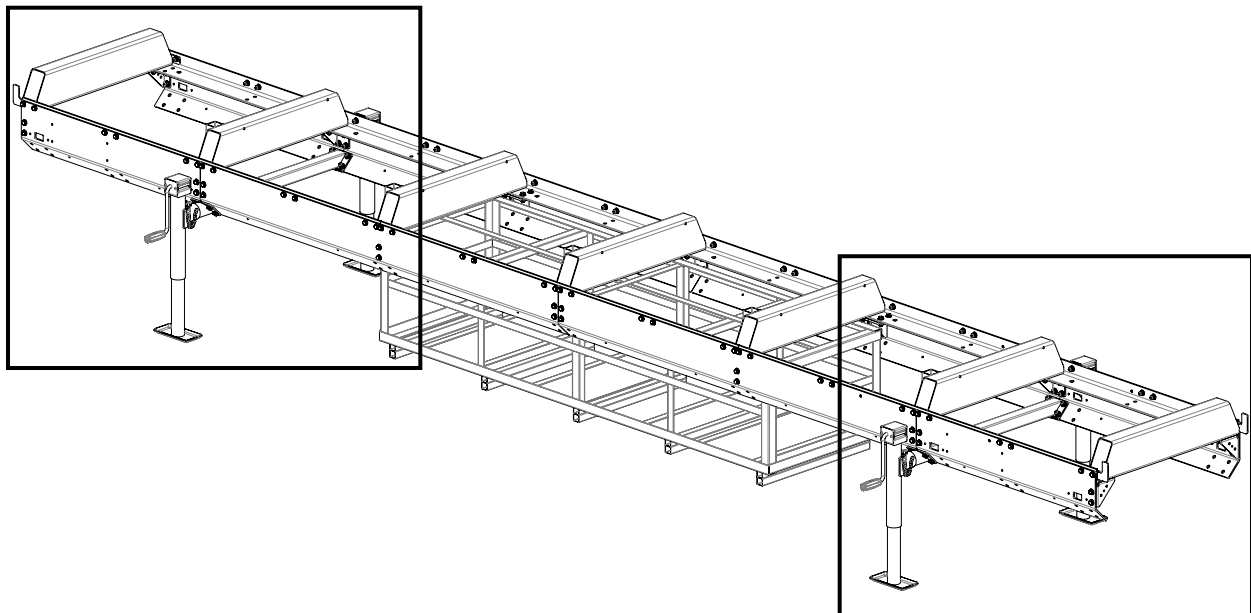


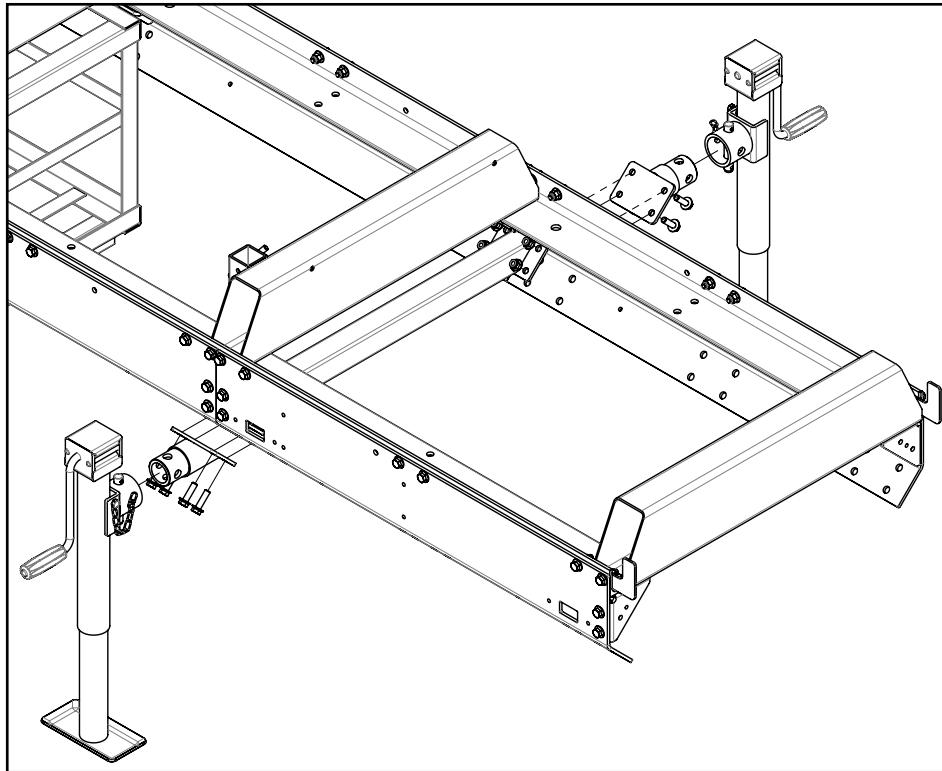
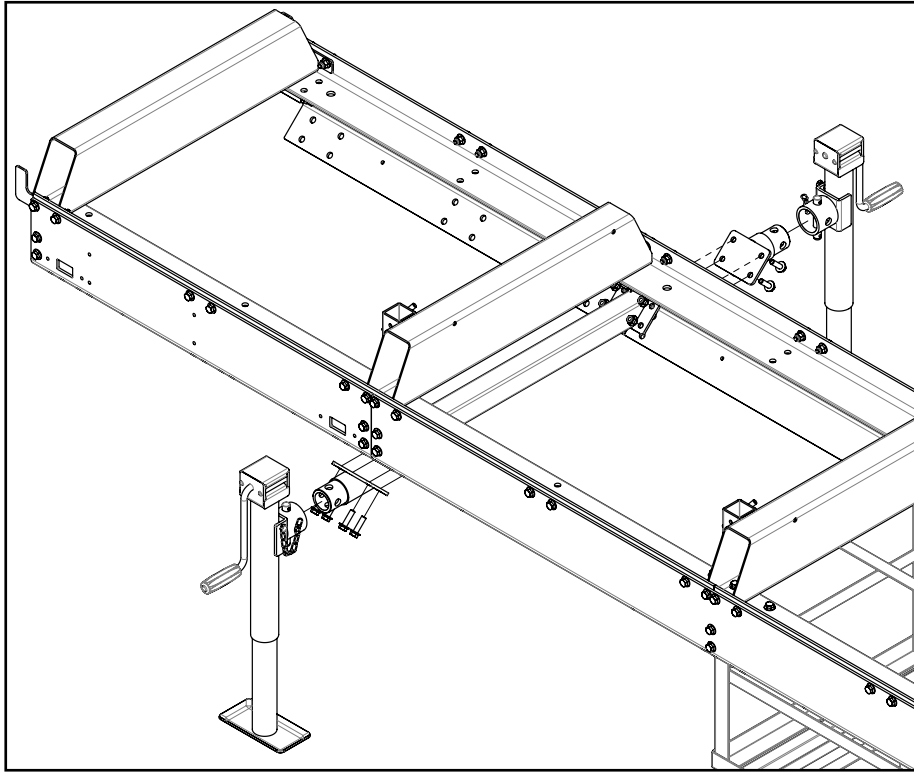


10. CROSS BEAMS, JACK MOUNTS [ENDS]

Using the hardware listed below, install the front and rear jack mounts including 1 cross beam with each pair of mounts. Tighten all bolts. Install jack stands on the jack mounts.

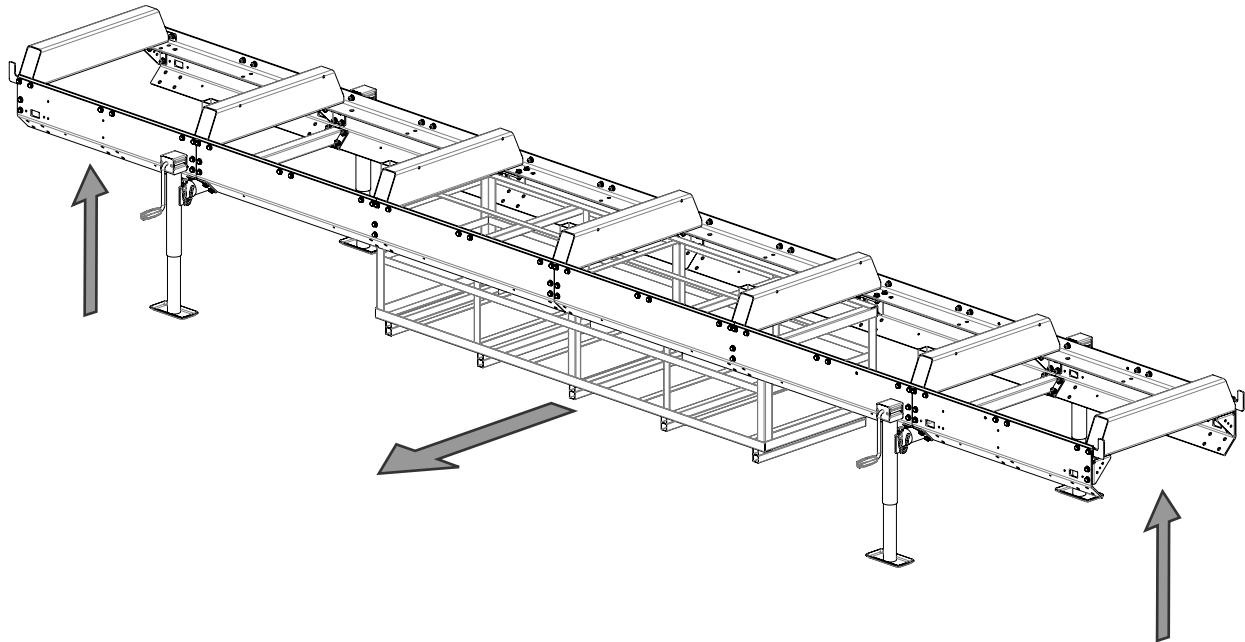
16x	M10 X 35 mm Flanged Hex Bolt		2x	Cross Beam	
16x	M10 Flanged Lock Nut		4x	Jack Mount	
			4x	Jack Stand	







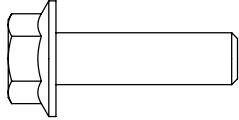
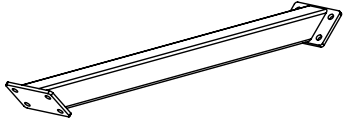
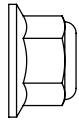
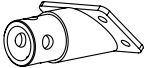
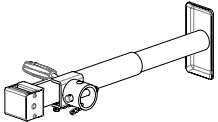
Next, raise the assembly as high as the jacks stands will permit. Pull the crate out from under the assembly once it is sufficiently high enough. It may be necessary to place a block of wood under each jack foot to achieve a sufficient height.

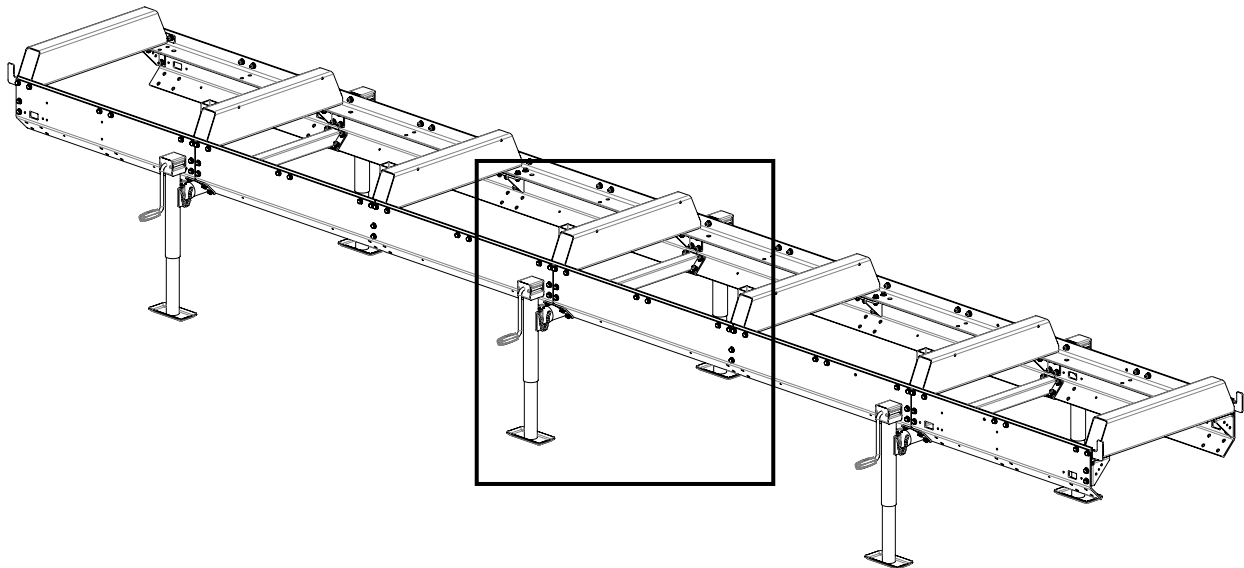


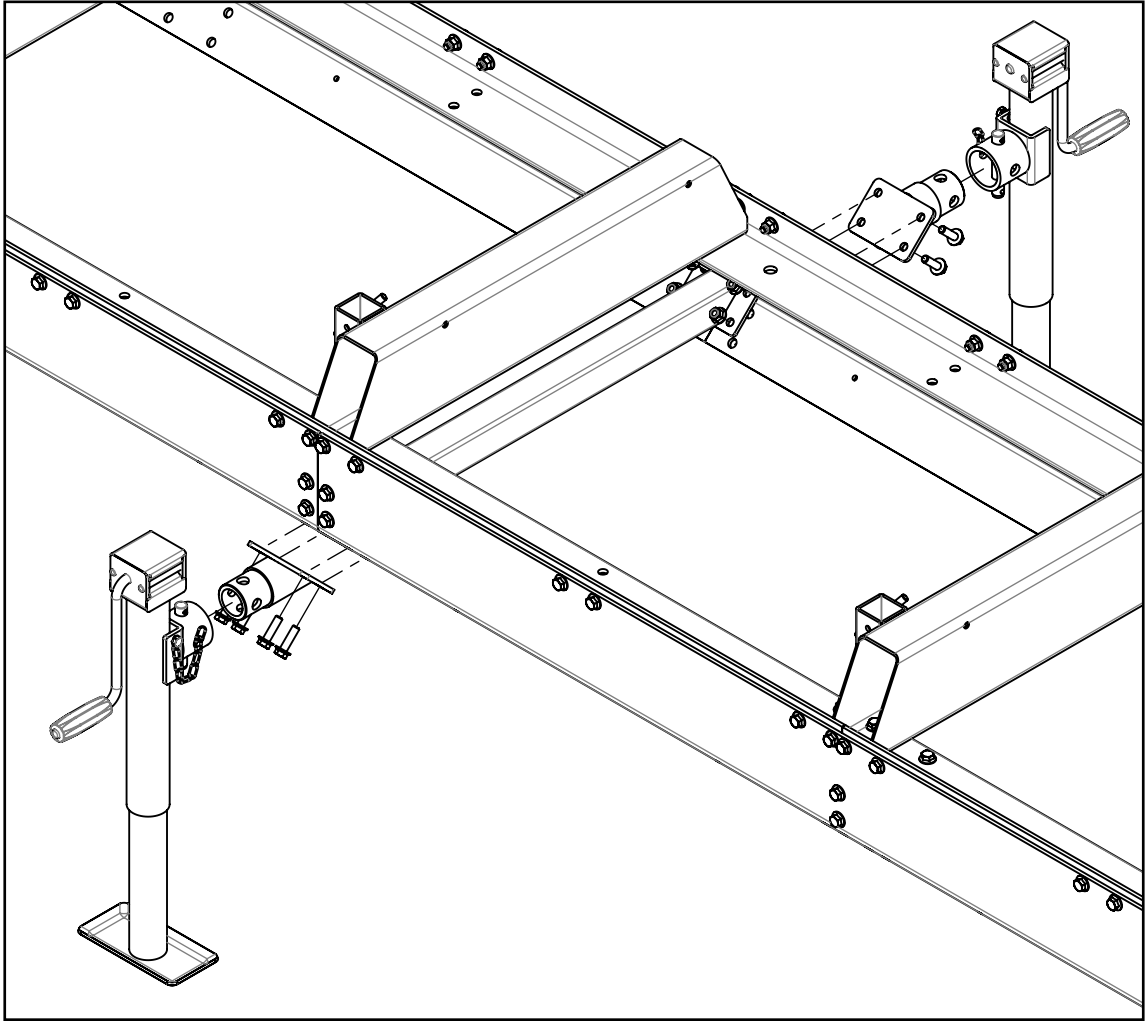


11. CROSS BEAM, JACK MOUNTS [CENTRE]

Using the hardware below, install the centre cross beam and jack mounts. Level the trailer on all six jack stands. Tighten all the bolts.

8x	M10 X 35 mm Flanged Hex Bolt		1x	Cross Beam	
8x	M10 Flanged Lock Nut		2x	Jack Mount	
			2x	Jack Stand	

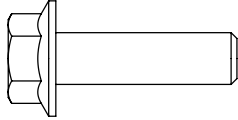
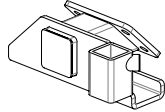
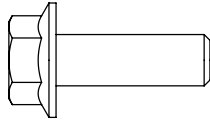
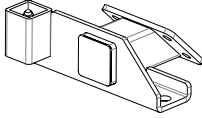
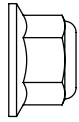
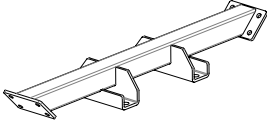
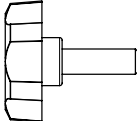
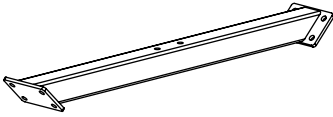
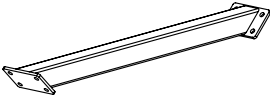


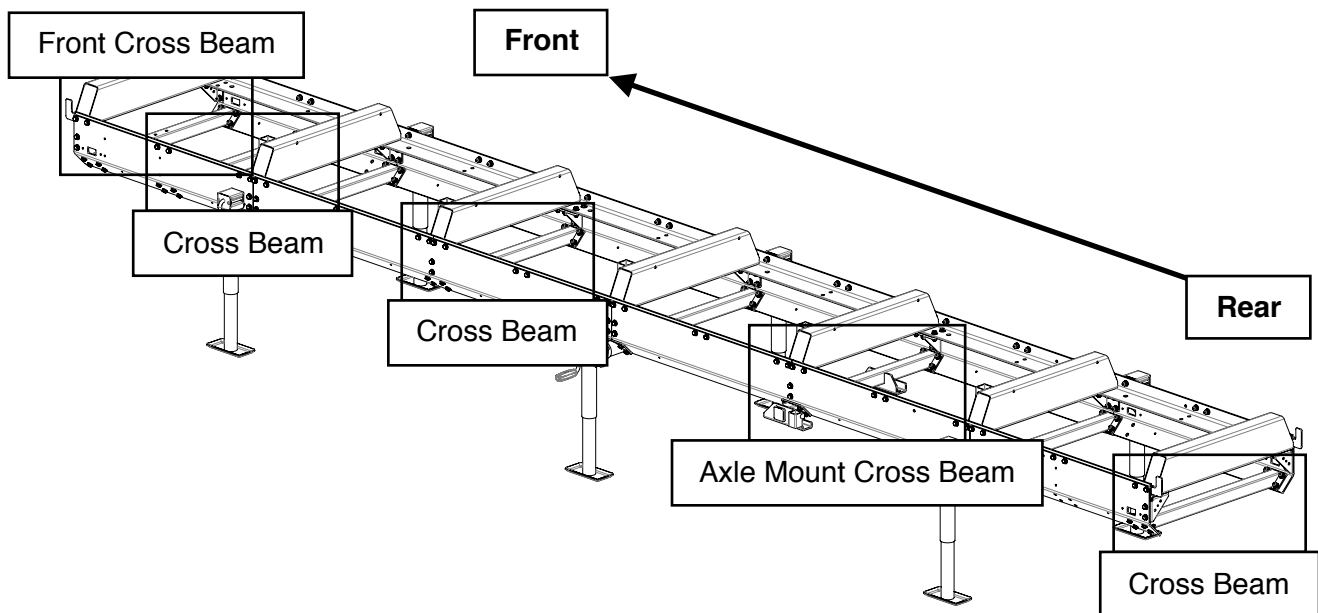


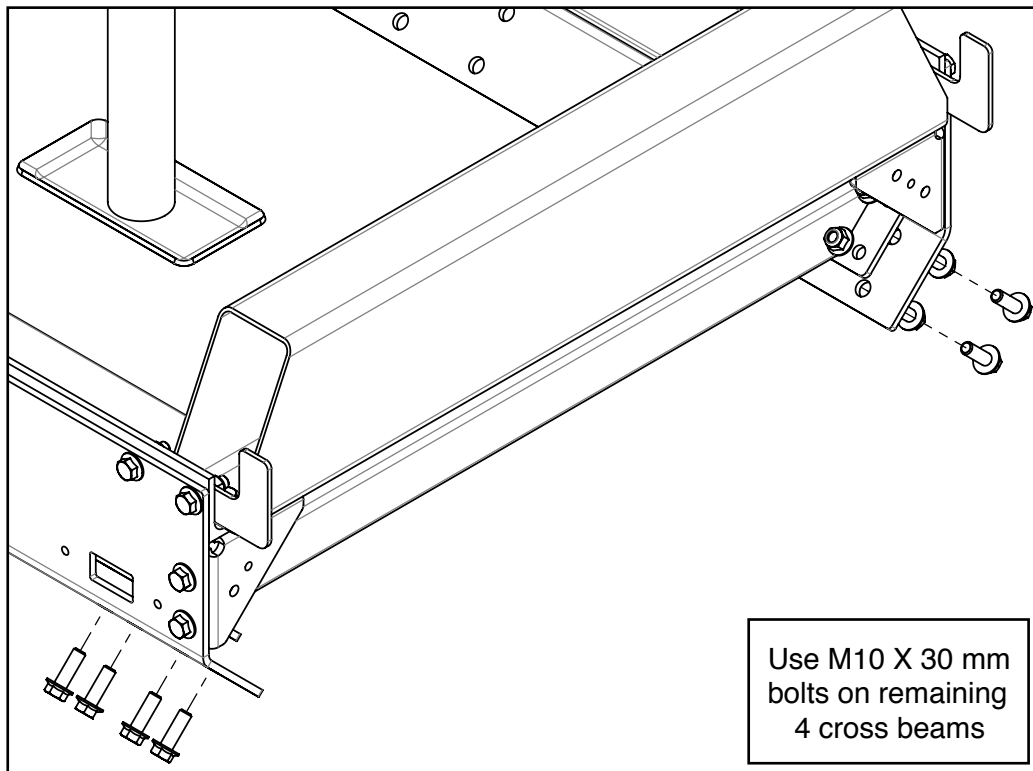
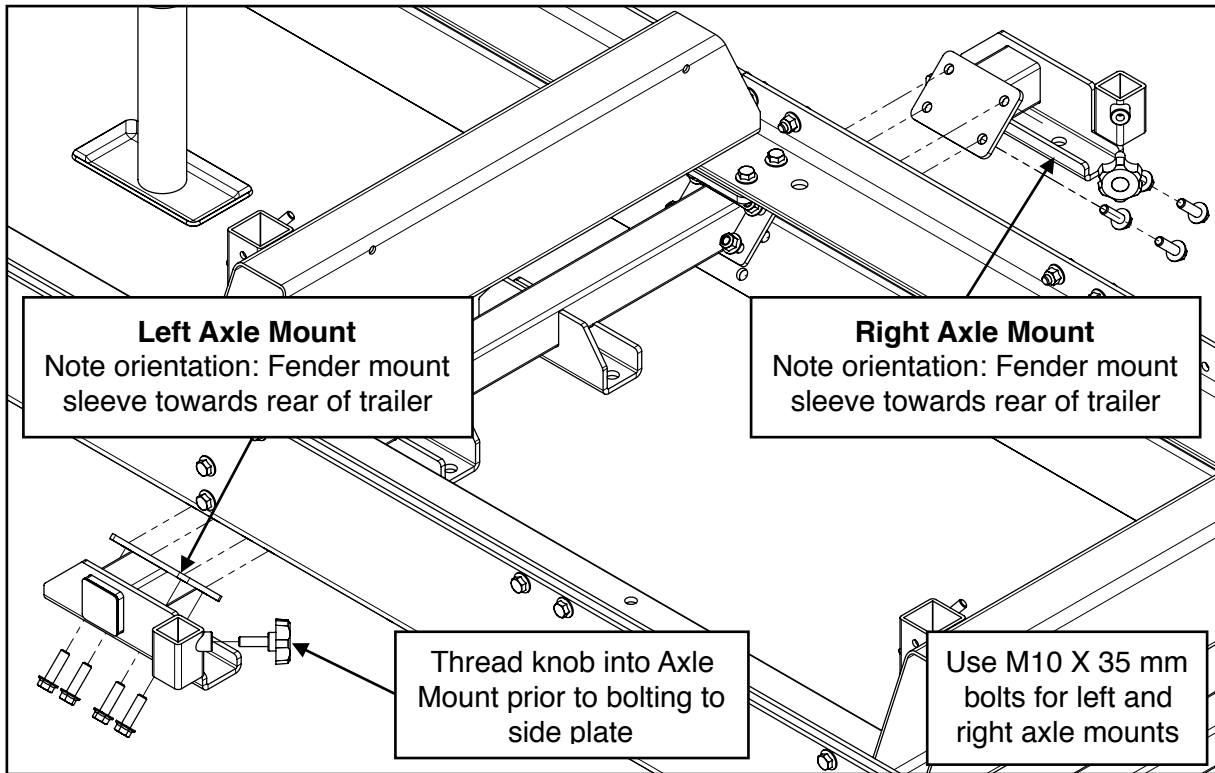


12. CROSS BEAMS, AXLE CROSS BEAM, AXLE MOUNTS

Using the hardware listed below, install the remaining cross beams, the front cross beam (with 2 holes), and axle mount cross beam in the locations shown below. Tighten all bolts.

8x	M10 X 35 mm Flanged Hex Bolt		1x	Axle Mount w/ Fender Adapter [Left]	
32x	M10 X 30 mm Flanged Hex Bolt		1x	Axle Mount w/ Fender Adapter [Right]	
40x	M10 Flanged Lock Nut		1x	Axle Mount Cross Beam	
2x	M10 X 30 mm Knob		1x	Front Cross Beam	
			3x	Cross Beam	

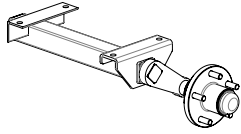
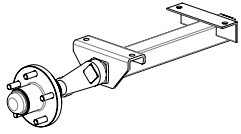
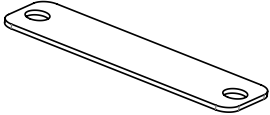


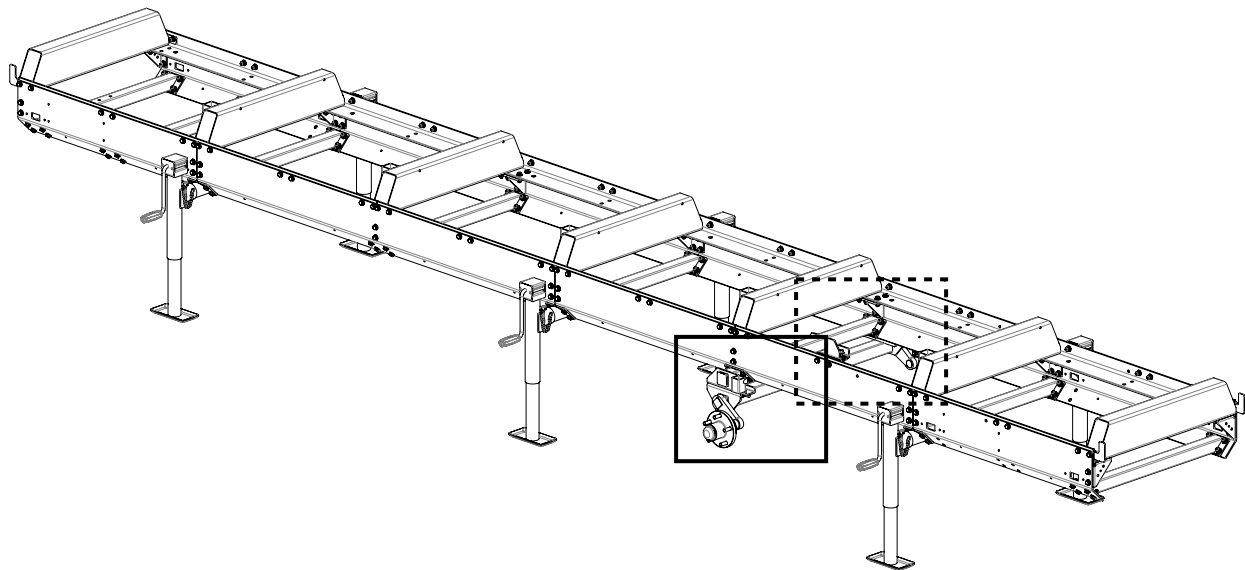


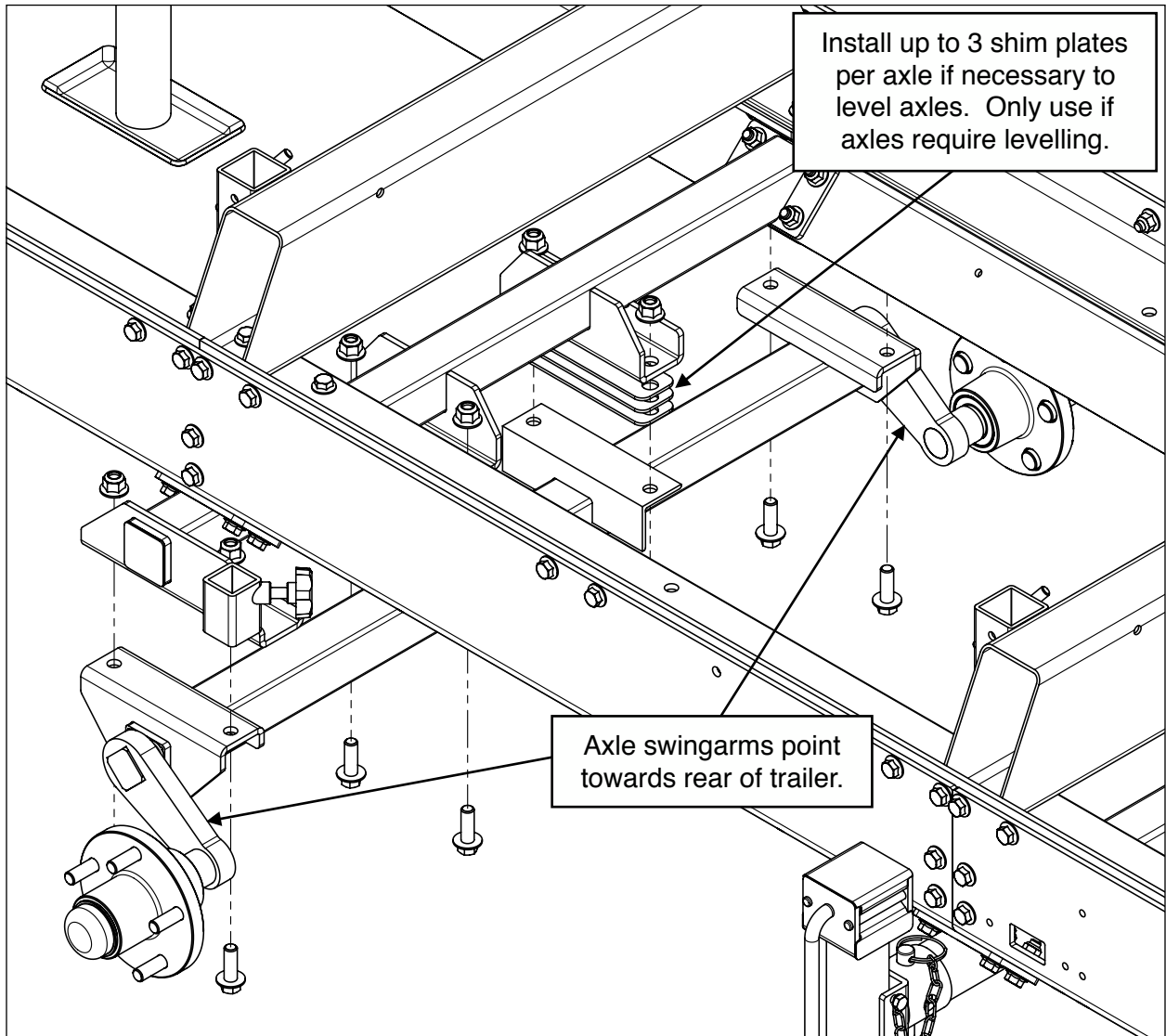


13. AXLES

Using the hardware listed below, install the axles as shown on the next page. Tighten these bolts to the ***specified torque***. Place a bubble level across both axles and check for level. If the level is off, use axle shim plates between the inner axle mounting face and axle cross beam to ensure the axles ride level. The shims are not necessary if the axles sit level after assembly.

8x	M12 X 35 mm Flanged Hex Bolt		1x	Axle [Left]	
8x	M12 Flanged Lock Nut		1x	Axle [Right]	
			6x	Axle Shim Plate	

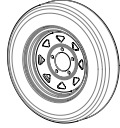
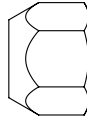


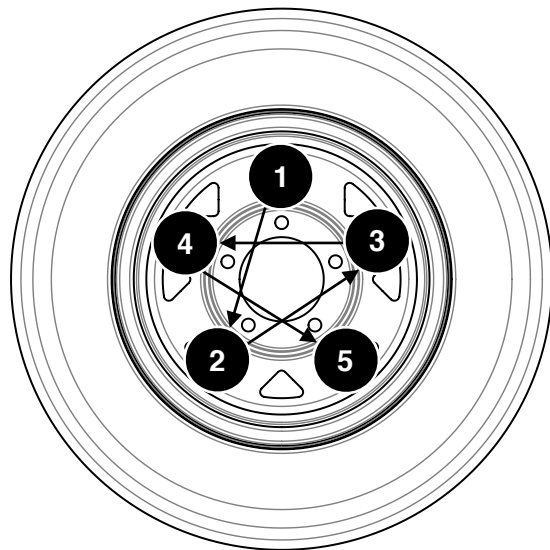
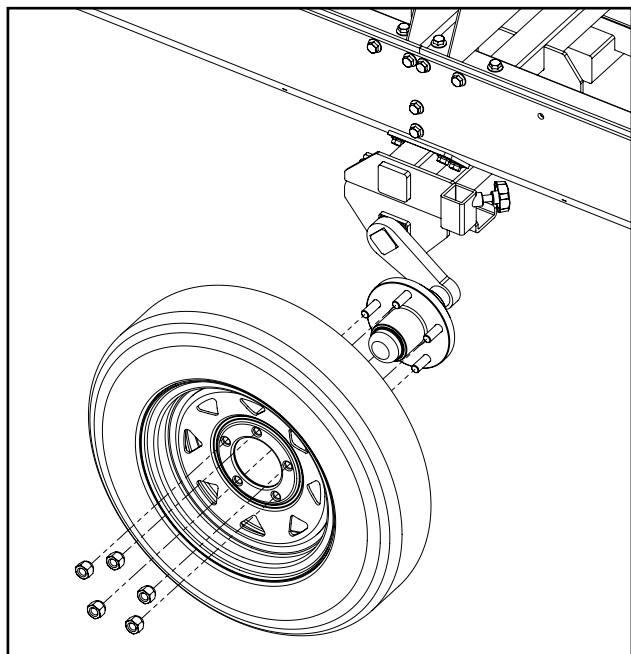
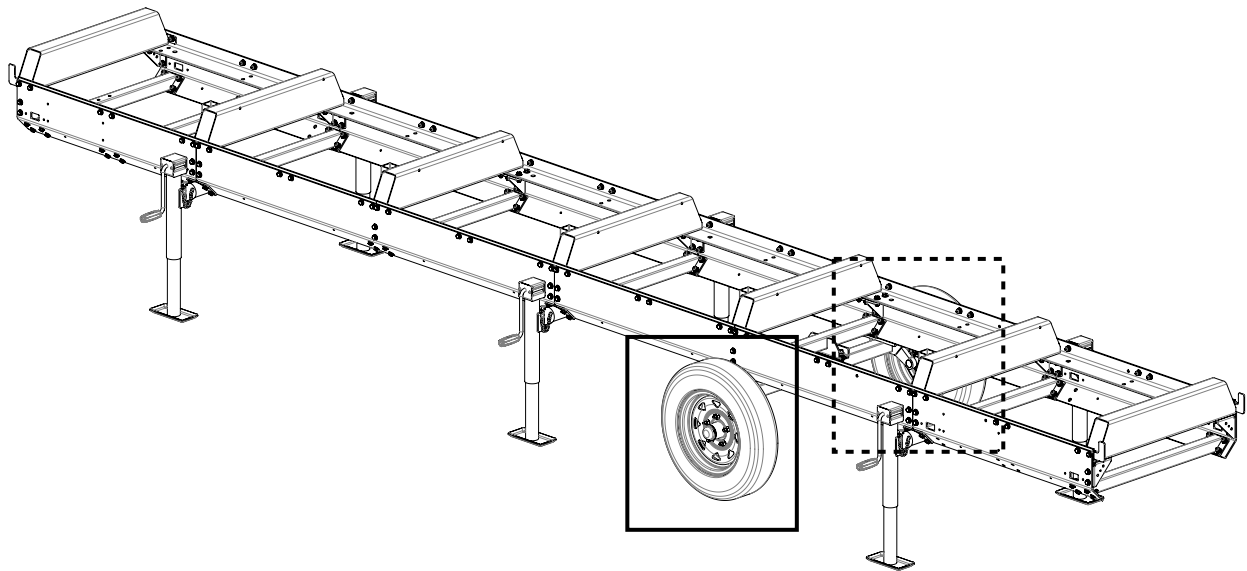




14. WHEELS

Using the hardware listed below, install the wheels on the axles. Using a torque wrench, torque the lug nuts to 80 ft•lb / 110 N•m following the pattern shown below.

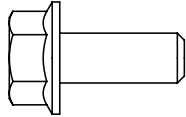
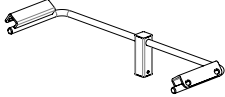
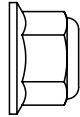

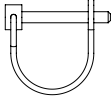
2x	5.30-12 Wheel		10x	1/2-20 in Lug Nut	
----	---------------	---	-----	-------------------	---

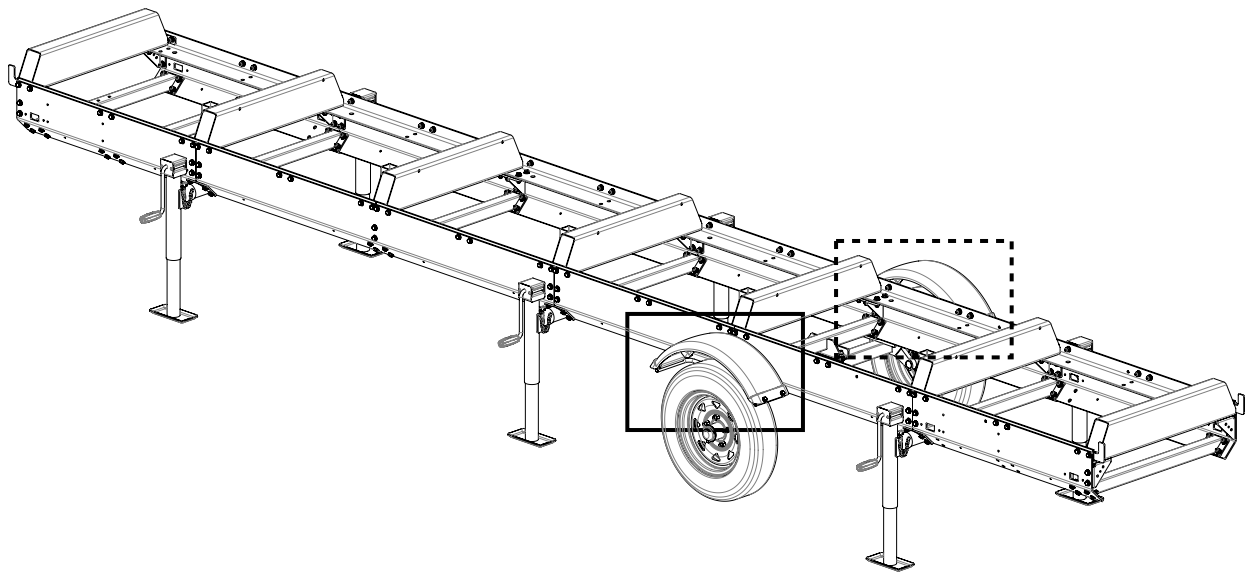


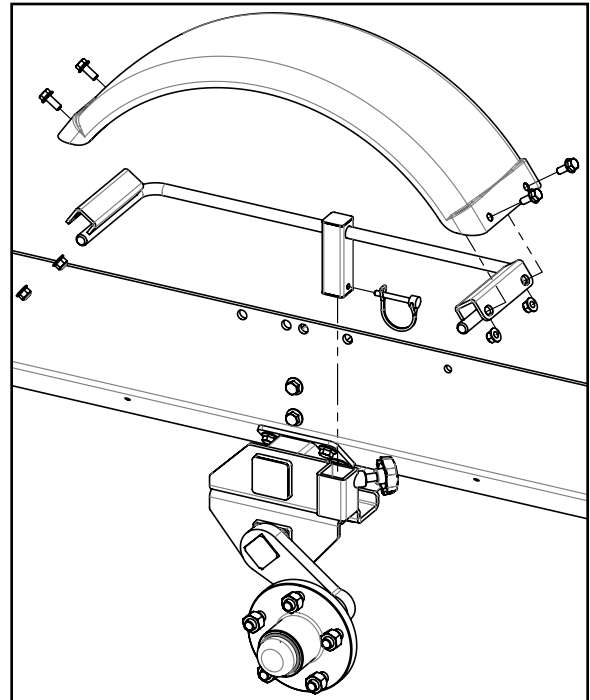
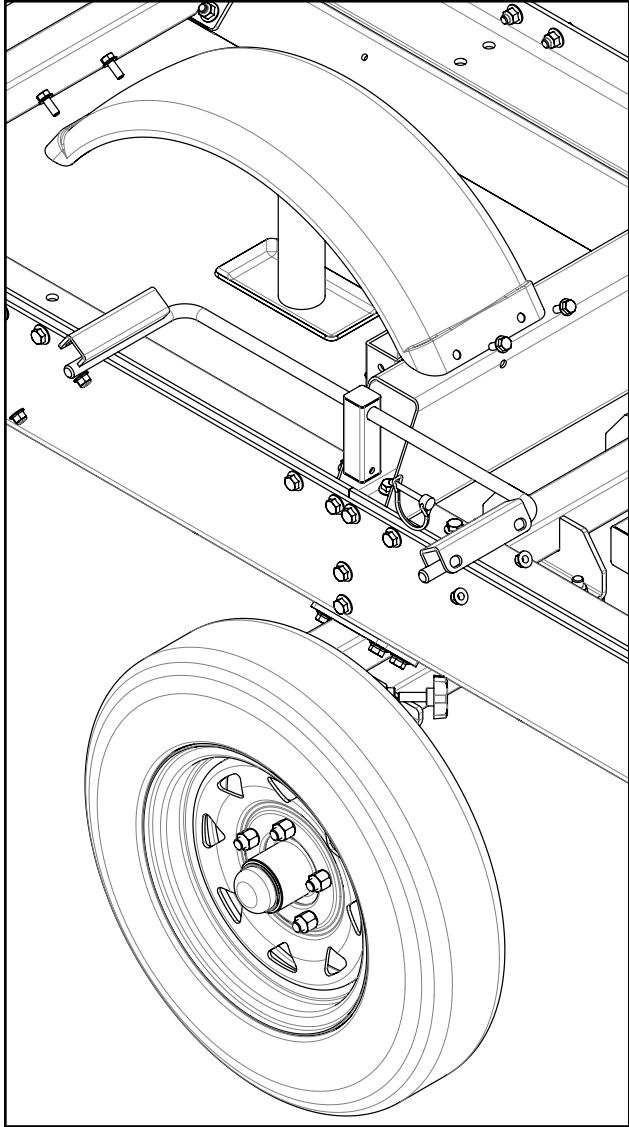


15. FENDERS

Using the hardware listed below, assemble the fenders to the fender brackets. Tighten these bolts. Slide the post on the fender bracket into the sleeve on the axle mount and insert the locking pin through the hole located at the bottom of the fender bracket post. Secure the fender/ fender bracket sub-assembly using the M10 X 30 mm knob by threading it into the axle mount until tight.

8x	M8 X 20 mm Flanged Hex Bolt		2x	Fender Bracket	
8x	M8 Flanged Lock Nut		2x	Fender	
			2x	Locking Pin	



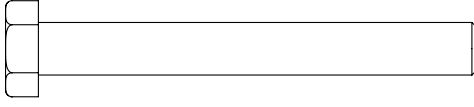
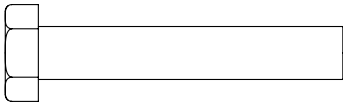
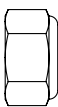
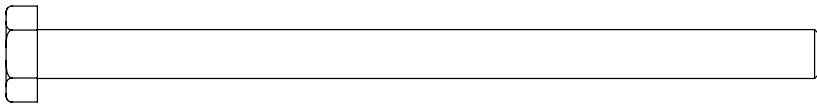
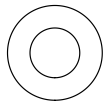
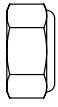
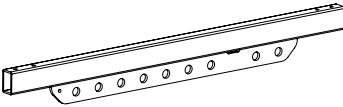
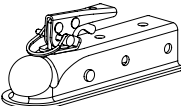
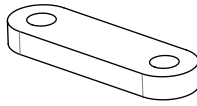
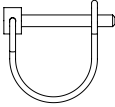


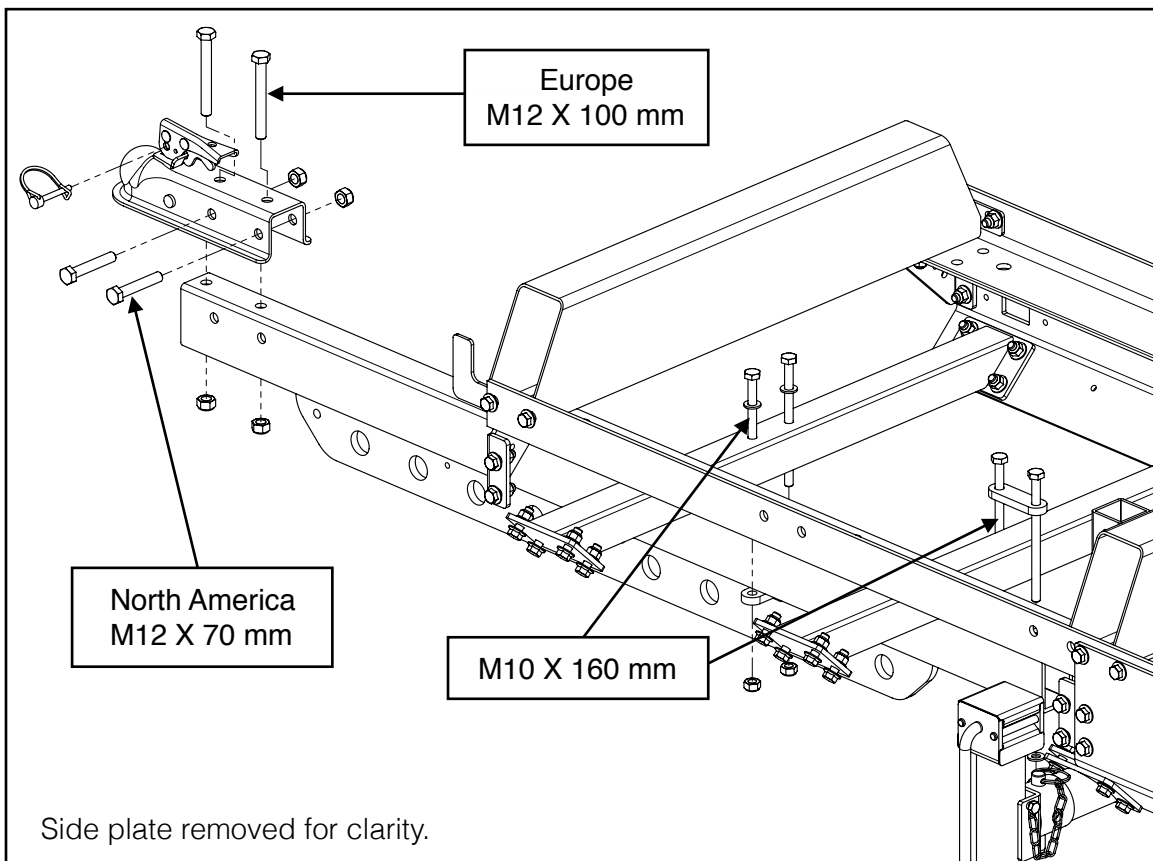
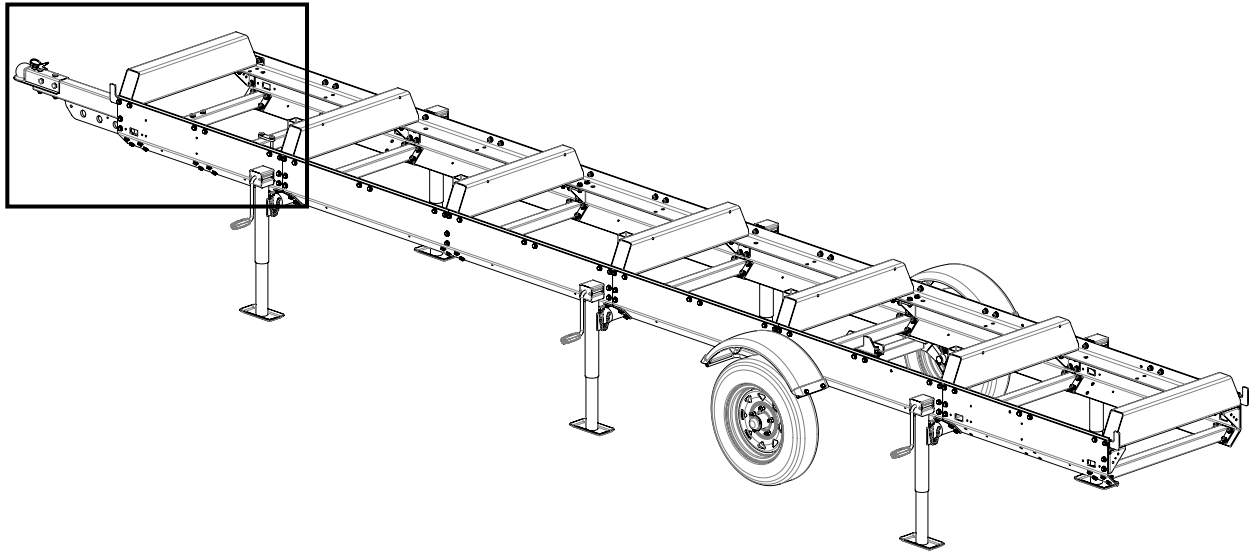
Some components removed for clarity



16. TONGUE, HITCH COUPLER

Using the hardware listed below, install the trailer tongue and hitch coupler. Don't tighten the M10 X 160 mm bolts in this step since the plug for the lights will be routed through the tongue in the following step. Tighten the coupler bolts.

2x	M12 X 100 mm Hex Bolt (Europe Only)	
2x	M12 X 70 mm Hex Bolt (North America)	
2x	M12 Lock Nut	
4x	M10 X 160 mm Hex Bolt	
4x	M10 Flat Washer	
4x	M10 Lock Nut	
1x	Tongue	
1x	Hitch Coupler	
2x	Tongue Bracket	
1x	Locking Pin	



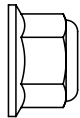
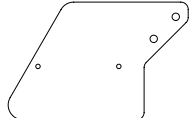
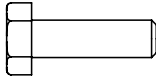
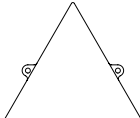
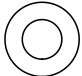
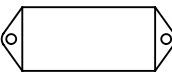

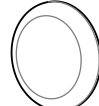
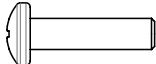


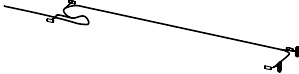
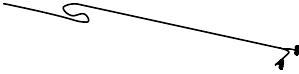


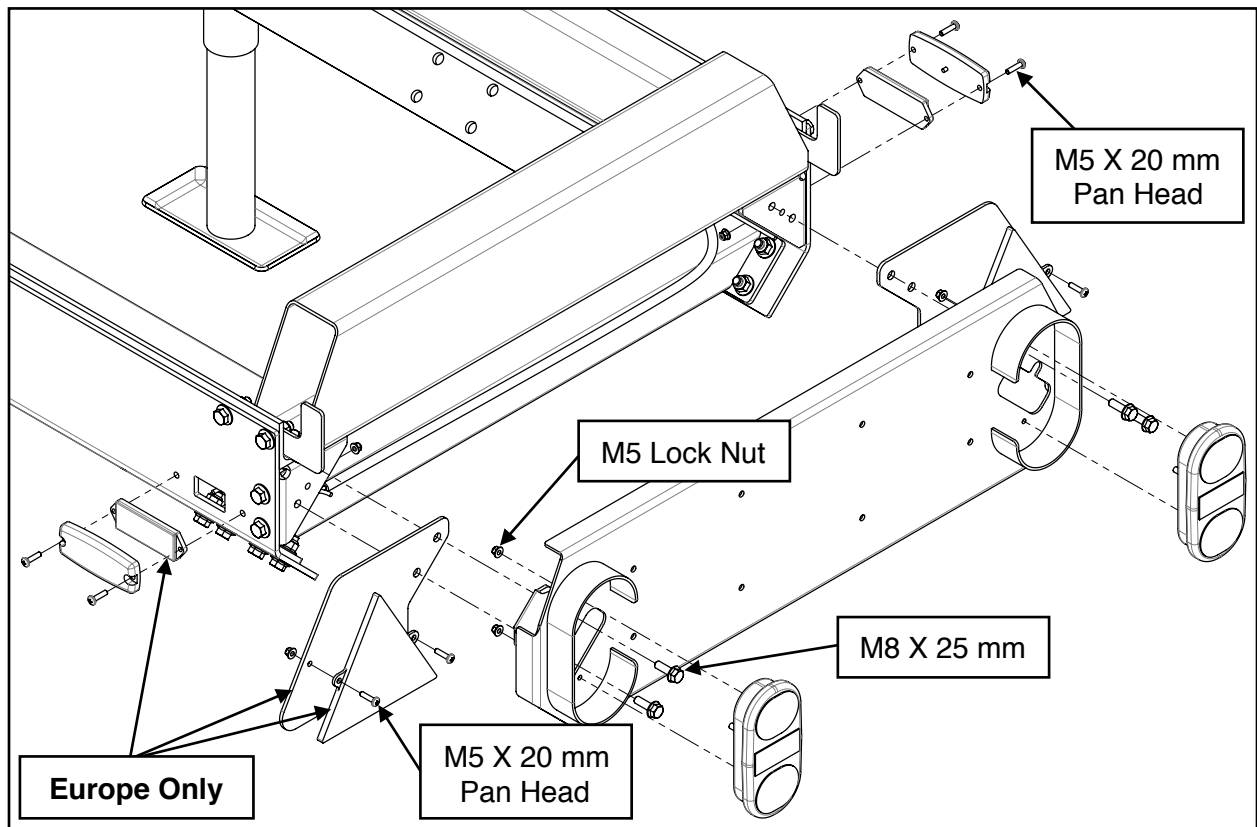
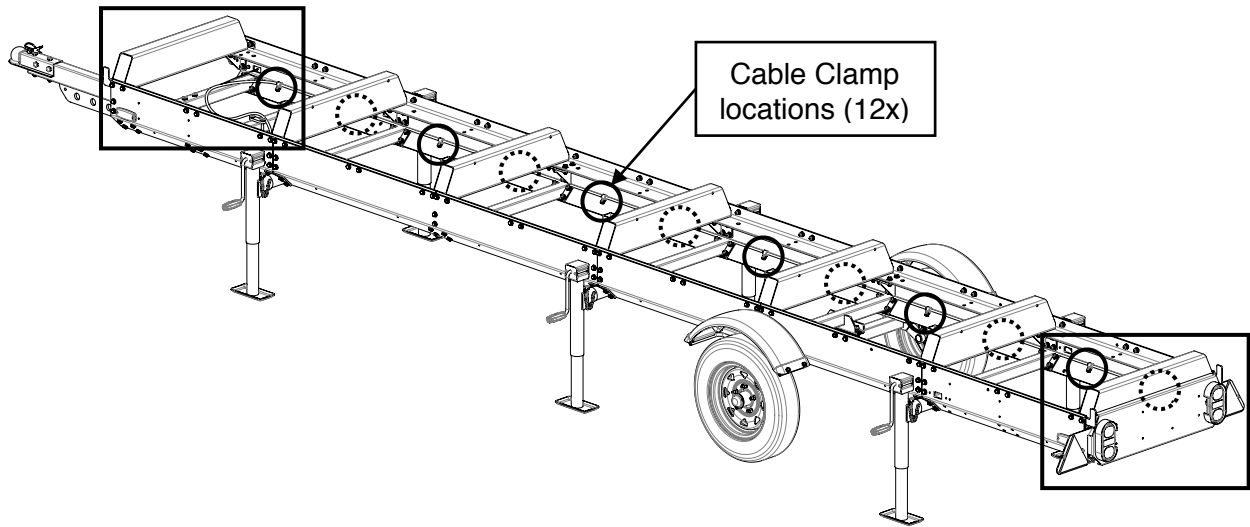


17. LIGHTING

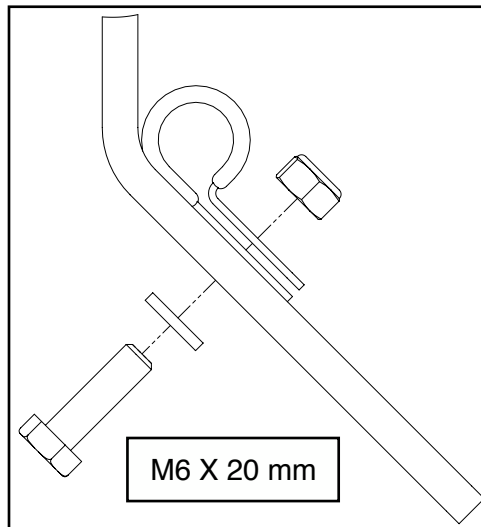
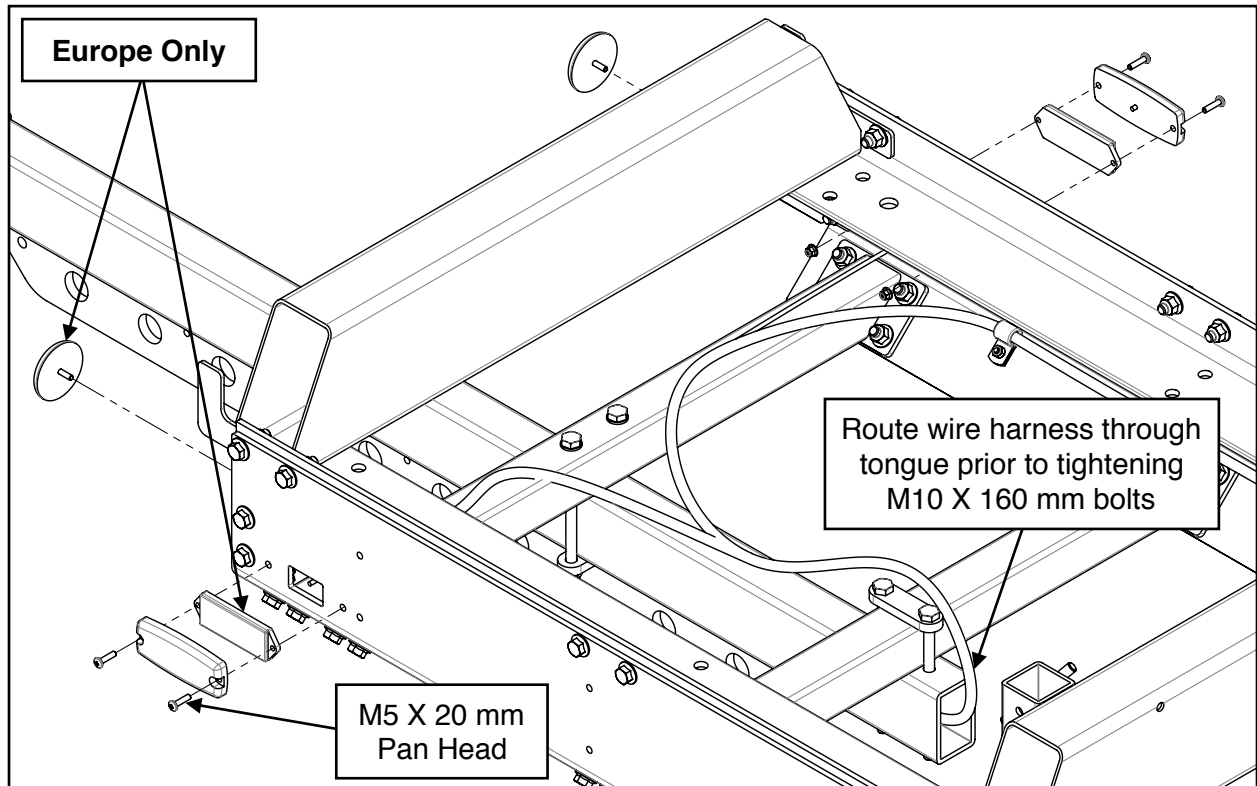
Using the hardware listed below, install the light bar and country appropriate wire harness. Secure tail lights to the light bar using M5 flanged lock nuts before mounting light bar to trailer. Use cable clamps to secure wire harness to side plates down right-side of trailer. Tighten all bolts. The M10 X 160 mm tongue bolts from the previous step can now be tightened after wiring has been routed through the tongue.

On the European version, install the 4 side reflectors, 2 front reflectors, and 2 rear reflector brackets and reflectors as shown on the following pages. There are no red/amber side lights on the European wire harness like the ones included with the North American version.

4x	M8 X 25 mm Flanged Hex Bolt		1x	Light Bar	
4x	M8 Flanged Lock Nut		2x	Rear Reflector Bracket (Europe Only)	
12x	M6 X 20 mm Hex Bolt		2x	Rear Reflector (Europe Only)	
12x	M6 Flat Washer		4x	Side Reflector (Europe Only)	
12x	M6 Lock Nut		2x	Front Reflector (Europe Only)	
12x	M5 X 20 mm Pan Head Screw (4x Europe Only)		12x	Cable Clamp	
12x	M5 Flanged Lock Nut (4x Europe Only)		1x	Wire Harness (North America Only)	
			1x	Wire Harness (Europe Only)	



Note: tail lights (North America and Europe) and side lights (North America only) are integral to the wire harness. They are shown exploded for assembly clarity.

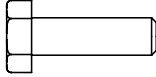


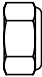


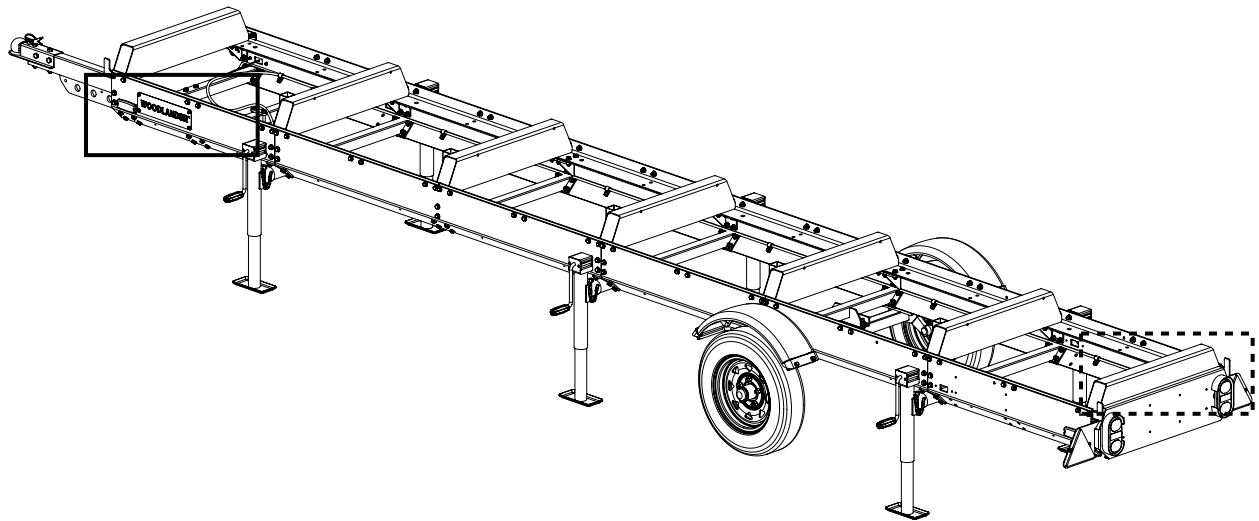
There are 2 cable clamps per short side plate (2) and 4 per long side plate (2) for a total of 12. Cable clamps are installed down the right-hand side of the trailer only. Use the M6 X 20 mm hex bolts, M6 washers, and M6 lock nuts as shown. This applies to both North American and European models.

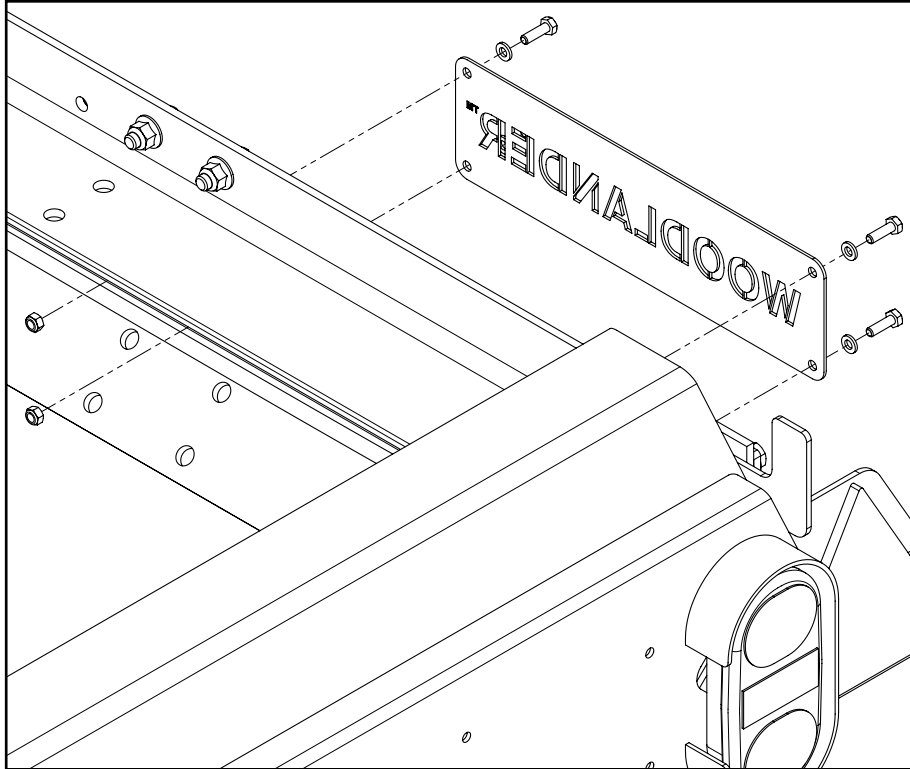
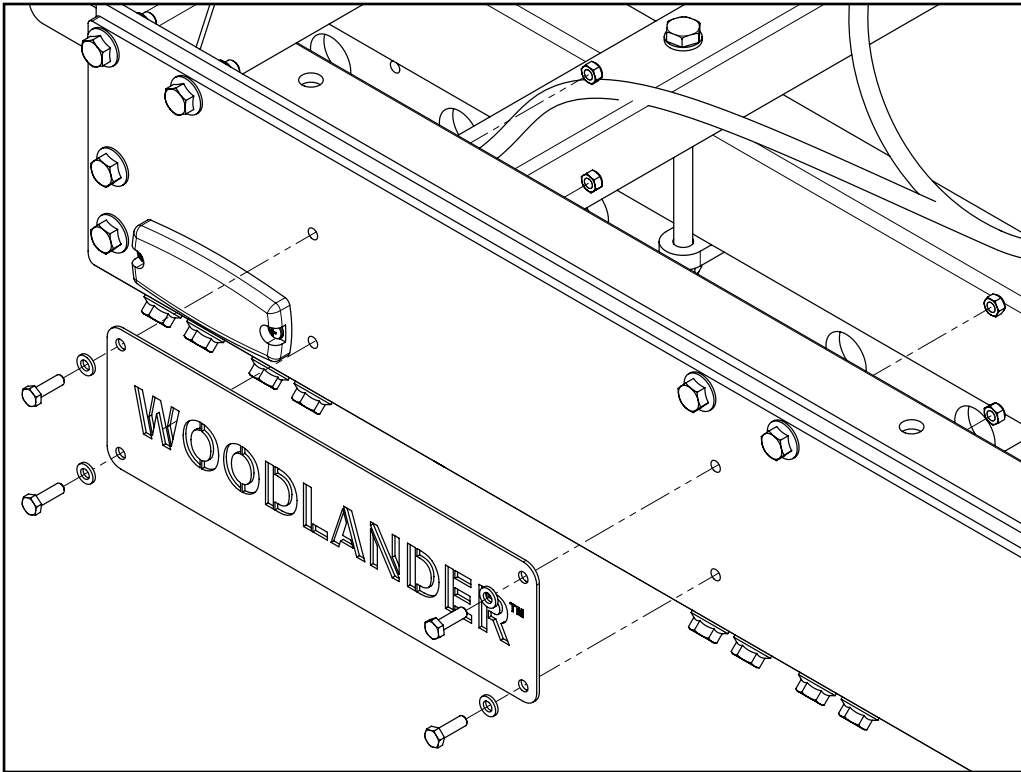


18. BADGES

Using the hardware listed below, install the two (2) *Woodlander* badges as shown.

8x	M6 X 20 mm Hex Bolt		2x	Woodlander Badge	
8x	M6 Flat Washer				
8x	M6 Lock Nut				

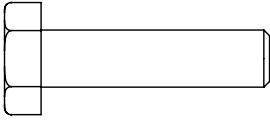

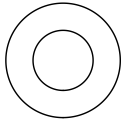
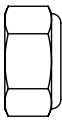


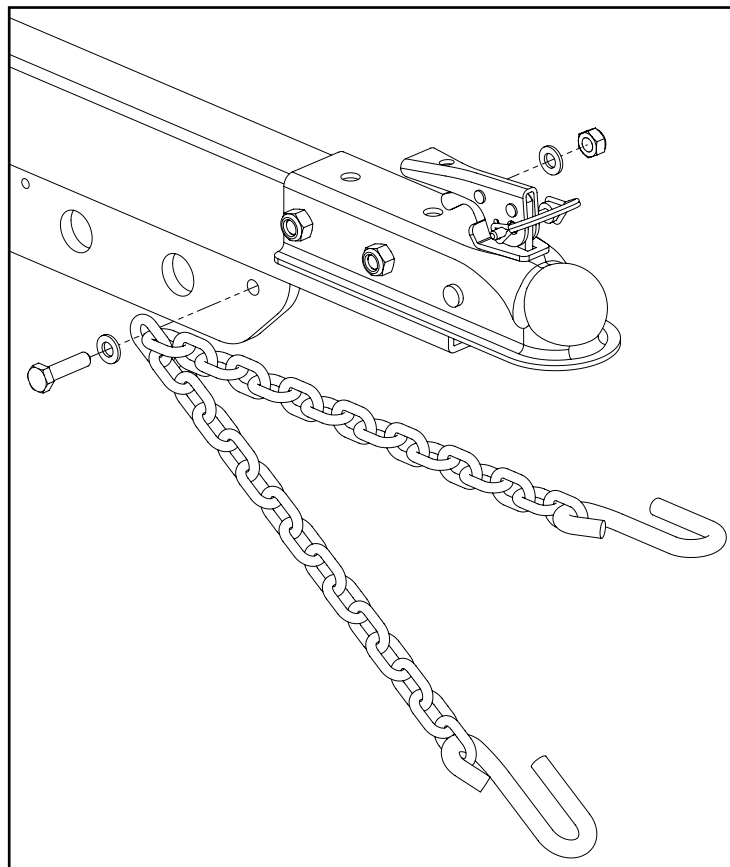




19. SAFETY CHAIN

Using the hardware below, install the safety chain on the trailer tongue. This step is not needed for European customers.

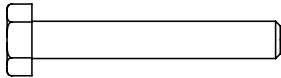
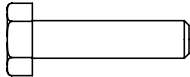
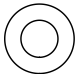

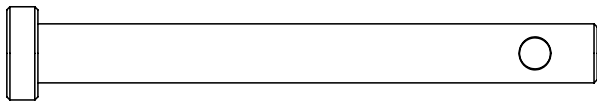
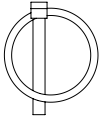
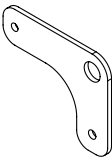

1x	M10 X 40 mm Hex Bolt (Not in Europe)		1x	Safety Chain (Not in Europe)	
2x	M10 Flat Washer (Not in Europe)				
1x	M10 Lock Nut (Not in Europe)				



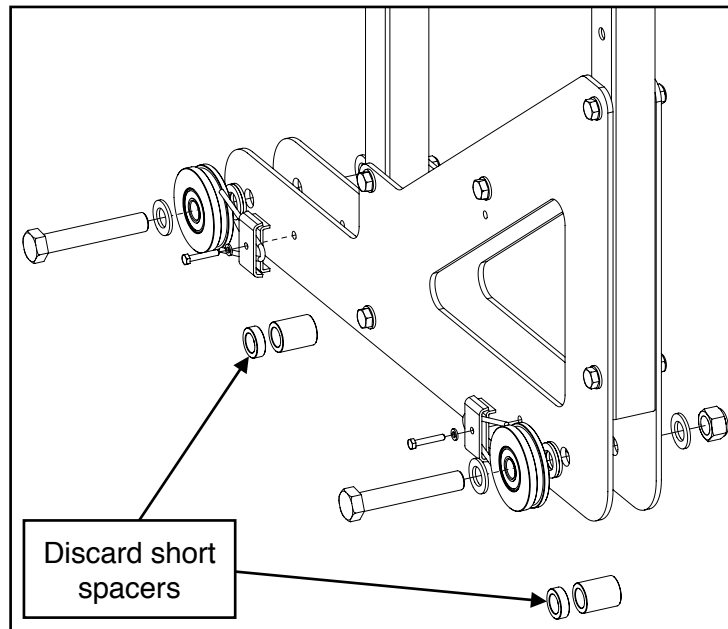


20. HEAD LOCK-DOWN PLATES

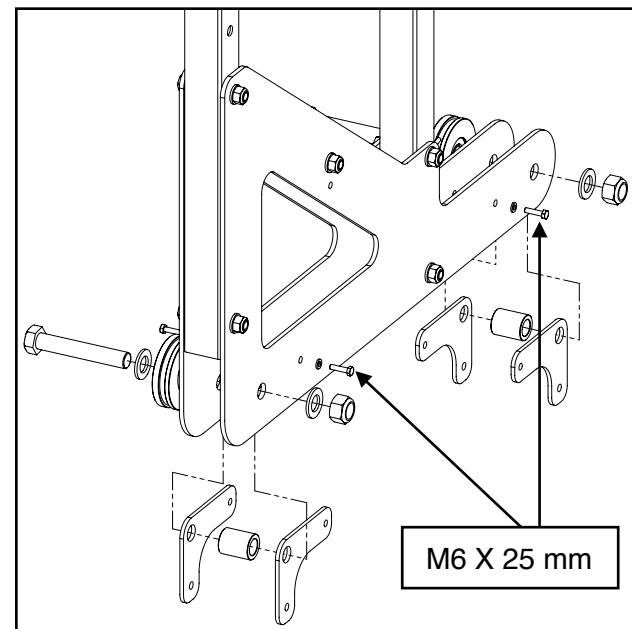
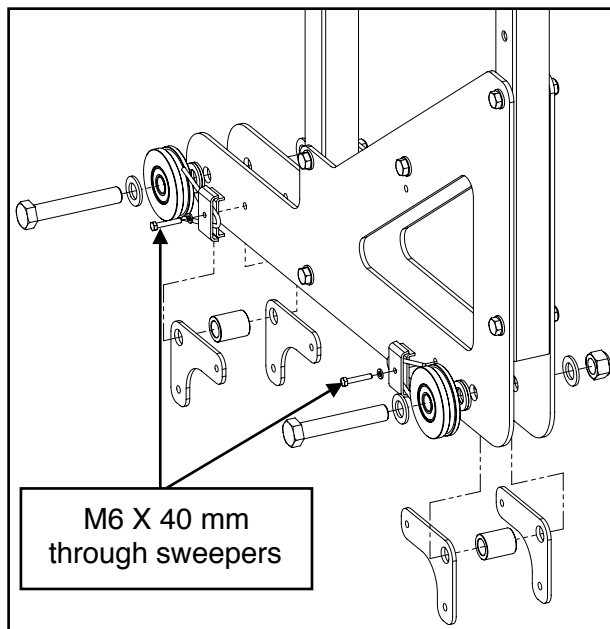
Place the assembled sawhead on the trailer. Using the hardware listed below, install the head lock down plates as shown on the next page. Tighten these bolts to the ***specified torque***.

4x	M6 X 40 mm Hex Bolt	
4x	M6 X 25 mm Hex Bolt	
16x	M6 Flat Washer	
8x	M6 Lock Nut	
4x	Lock-Down Pin	
4x	Linch Pin	
4x	Head Lock-Down Bracket	
1x	3/8" Drill Bit	

Remove the eight (8) spacers from the carriage wheel axles and discard the four (4) short spacers. Only the four (4) tall spacers will be reused in the next steps.

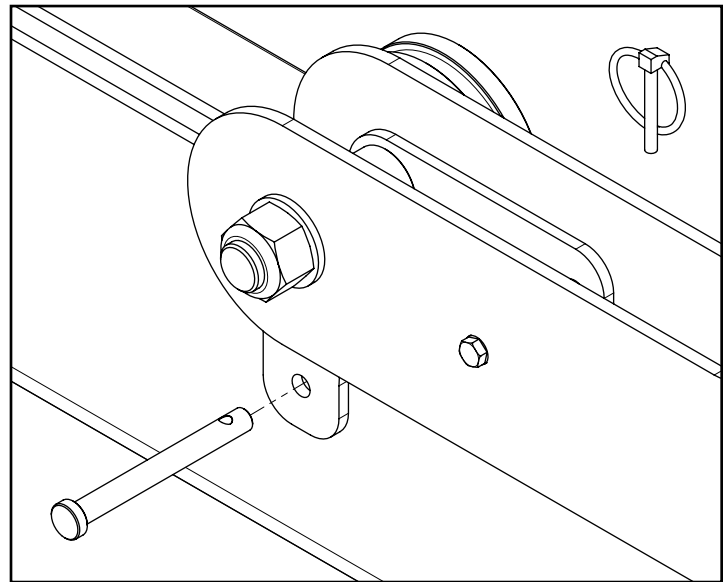
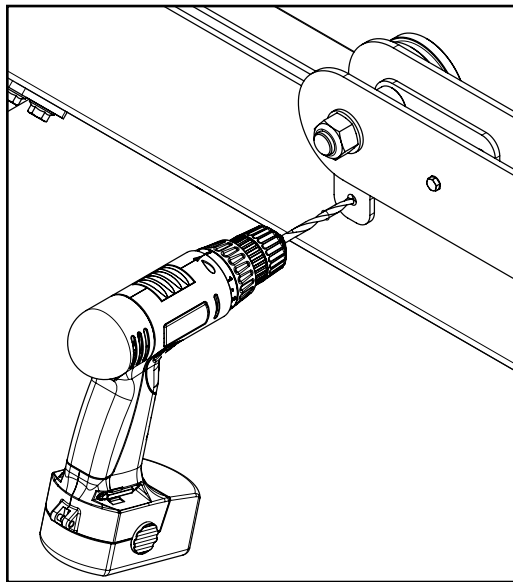
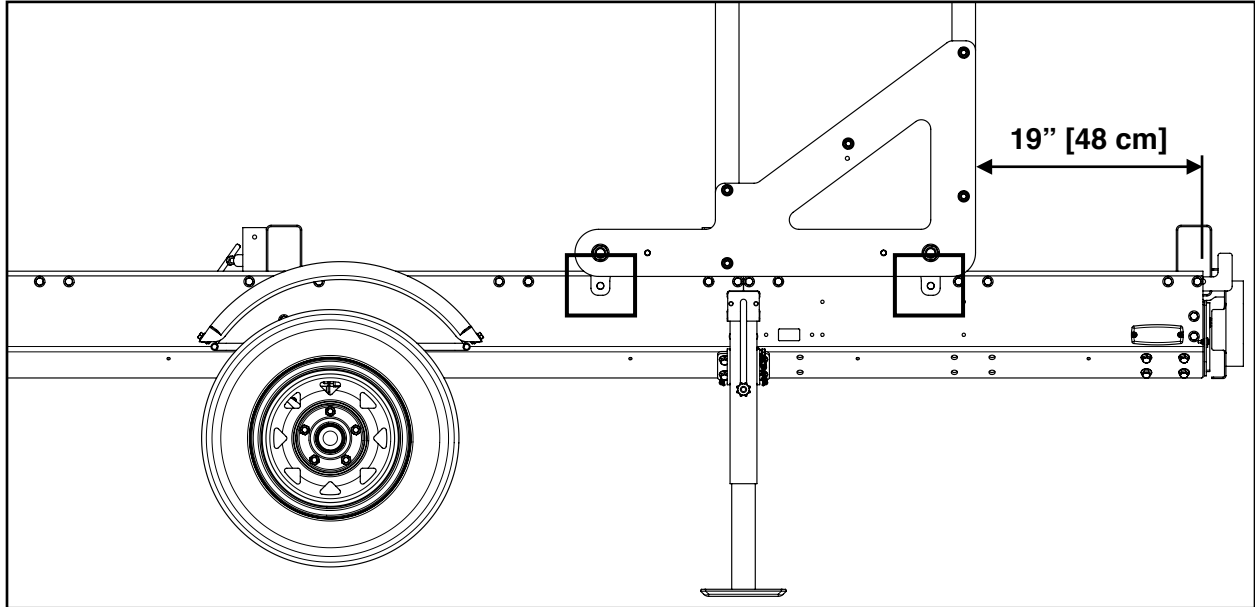


Using the provided M6 X 40 mm and M6 X 25 mm bolts, install the lock-down plates in place of the short spacers with the taller spacer sandwiched between. Reuse the four (4) M6 flat washers from the wheel sweepers on the sawmill when replacing the bolts.





Drill four (4) holes for the lock-down plates using the provided $\frac{3}{8}$ in drill bit. Measure 19 in [48 cm] from the rear edge of the track rail (*not* the carriage stop) to the rear post of the sawhead. Insert a locking pin into each hole as they are drilled. Secure each locking pin with a linch pin.





NORTH AMERICAN PARTS LIST

Item	Quantity		Part No.	Description
	HM126 HM130	HM130 MAX		
1	4	4	0001373	GUSSET, END
2	10	10	0001374	GUSSET, JOINING
3	4	4	0001363	SIDE PLATE, LONG
4	4	4	0001364	SIDE PLATE, SHORT
5	6	-	0001369	CROSS BEAM
	-	6	0002900	CROSS BEAM, MAX
6	1	-	0001370	CROSS BEAM, FRONT
	-	1	0002899	CROSS BEAM, FRONT, MAX
7	6	6	0001385	JACK STAND
8	6	6	0001376	JACK MOUNT
9	1	-	0001679	AXLE CROSS BEAM
	-	1	0002898	AXLE CROSS BEAM, MAX
10	1	1	0001680	AXLE MOUNT W/ FENDER ADAPTER, LEFT
11	1	1	0001681	AXLE MOUNT W/ FENDER ADAPTER, RIGHT
12	1	1	0001677	AXLE, LEFT, 850 kg
13	1	1	0001678	AXLE, RIGHT, 850 kg
14	6	6	0001682	AXLE SHIM PLATE, 3 mm THK
15	2	2	0001552	WHEEL HUB DUST COVER, 1/2-20 LUGS
16	1	1	0001371	TONGUE
17	1	1	0001381	HITCH BALL COUPLER, 2 in [50.8 mm] BALL, NORTH AMERICA
19	2	2	0001372	TONGUE BRACKET STANDARD
20	1	-	0001375	LIGHT BAR
	-	1	0002901	LIGHT BAR, MAX
21	1	1	0001676-1	LIGHTING WIRE HARNESS, NORTH AMERICA
27	2	2	0001886	WOODLANDER NAMEPLATE
28	2	2	0001683	BRACKET, METAL FENDER, 750/850 kg AXLE
29	2	2	0001684	METAL FENDER
30	2	2	0001698	KNOB, MULTI-LOBE, 48 mm OD, M10 X 1.5, 30 mm LG
31	1	1	0001382	SAFETY CHAIN
32	4	4	0001393	HEAD LOCK-DOWN BRACKET
33	4	4	0001394	LOCK-DOWN PIN
34	12	12	HDW	CABLE CLAMP, 1/2 in ID, 1-3/4 in LG
35	20	20	HDW	HEX BOLT, M6 X 1, 20 mm LG
36	4	4	HDW	HEX BOLT, M6 X 1, 25 mm LG
37	4	4	HDW	HEX BOLT, M6 X 1, 40 mm LG
38	1	1	HDW	HEX BOLT, M10 X 1.5, 40 mm LG
39	4	4	HDW	HEX BOLT, M10 X 1.5, 160 mm LG, 26 mm LG THD
40	2	2	HDW	HEX BOLT, M12 X 1.75, 70 mm LG, 30 mm LG THD
42	8	8	HDW	HEX BOLT, FLANGED, M8 X 1.25, 20 mm LG
43	4	4	HDW	HEX BOLT, FLANGED, M8 X 1.25, 25 mm LG
44	172	172	HDW	HEX BOLT, FLANGED, M10 X 1.5, 30 mm LG
45	40	40	HDW	HEX BOLT, FLANGED, M10 X 1.5, 35 mm LG
46	16	16	HDW	HEX BOLT, FLANGED, M10 X 1.5, 40 mm LG



Item	Quantity		Part No.	Description
	HM126 HM130	HM130 MAX		
47	8	8	HDW	HEX BOLT, FLANGED, M12 X 1.75, 35 mm LG
48	8	8	HDW	SCREW, PPH, M5 X 0.8, 20 mm LG
49	32	32	HDW	FLAT WASHER, M6
50	6	6	HDW	FLAT WASHER, M10
51	28	28	HDW	LOCK NUT, M6 X 1
52	5	5	HDW	LOCK NUT, M10 X 1.5
53	2	2	HDW	LOCK NUT, M12 X 1.75
54	12	12	HDW	LOCK NUT, FLANGED, M5 X 0.8
55	12	12	HDW	LOCK NUT, FLANGED, M8 X 1.25
56	228	228	HDW	LOCK NUT, FLANGED, M10 X 1.5
57	8	8	HDW	LOCK NUT, FLANGED, M12 X 1.75
58	2	2	HDW	LOCK NUT, SLOTTED, M24 X 1.5, 16 mm HGT
59	10	10	HDW	LUG NUT, 1/2-20
60	4	4	HDW	LINCH PIN W/ RING, 3/16 in DIA X 1 in LG
61	3	3	HDW	LOCKING PIN W/ WIRE RETAINER, 1/4 in DIA X 2 in LG
62	2	2	HDW	COTTER PIN, 5/32 in DIA, 1-1/2 in LG
63	2	2	HDW	ROTARY SHAFT SEAL, SPR-LOADED, WIPER LIP, 30 mm SFT, 50 mm OD
64	4	4	L44649	ROLLER BEARING, TAPERED, 1-1/16 in SHAFT, 1-3/64 in OD, .56 in WIDE
65	2	2	5.30-12	WHEEL, 5.30-12



EUROPEAN PARTS LIST

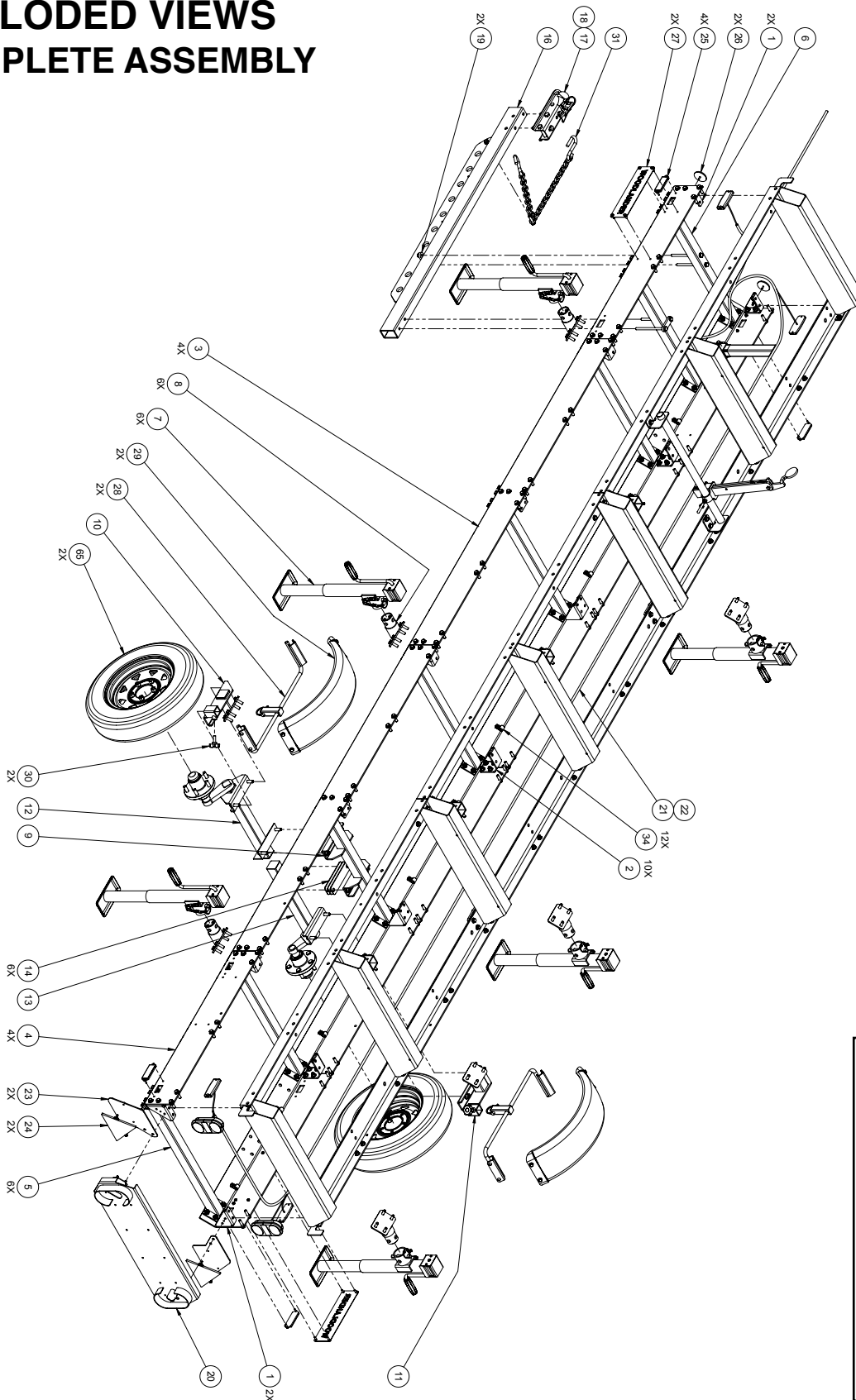
Item	Quantity		Part No.	Description
	HM126 HM130	HM130 MAX		
1	4	4	0001373	GUSSET, END
2	10	10	0001374	GUSSET, JOINING
3	4	4	0001363	SIDE PLATE, LONG
4	4	4	0001364	SIDE PLATE, SHORT
5	6	-	0001369	CROSS BEAM
	-	6	0002900	CROSS BEAM, MAX
6	1	-	0001370	CROSS BEAM, FRONT
	-	1	0002899	CROSS BEAM, FRONT, MAX
7	6	6	0001385	JACK STAND
8	6	6	0001376	JACK MOUNT
9	1	-	0001679	AXLE CROSS BEAM
	-	1	0002898	AXLE CROSS BEAM, MAX
10	1	1	0001680	AXLE MOUNT W/ FENDER ADAPTER, LEFT
11	1	1	0001681	AXLE MOUNT W/ FENDER ADAPTER, RIGHT
12	1	1	0001677	AXLE, LEFT, 850 kg
13	1	1	0001678	AXLE, RIGHT, 850 kg
14	6	6	0001682	AXLE SHIM PLATE, 3 mm THK
15	2	2	0001552	WHEEL HUB DUST COVER, 1/2-20 LUGS
16	1	1	0001371	TONGUE
18	1	1	0001702	HITCH BALL COUPLER, 50 mm [2 in] BALL, EUROPE
19	2	2	0001372	TONGUE BRACKET STANDARD
20	1	-	0001375	LIGHT BAR
	-	1	0002901	LIGHT BAR, MAX
22	1	1	0001676-2	LIGHTING WIRE HARNESS, EUROPE
23	2	2	0001379	TRIANGLE REFLECTOR BRACKET, EUROPE
24	2	2	0001390	REAR REFLECTOR, RED, EUROPE
25	4	4	0001391	SIDE REFLECTOR, AMBER, EUROPE
26	2	2	0001392	FRONT REFLECTOR, WHITE, EUROPE
27	2	2	0001886	WOODLANDER NAMEPLATE
28	2	2	0001683	BRACKET, METAL FENDER, 750/850 kg AXLE
29	2	2	0001684	METAL FENDER
30	2	2	0001698	KNOB, MULTI-LOBE, 48 mm OD, M10 X 1.5, 30 mm LG
32	4	4	0001393	HEAD LOCK-DOWN BRACKET
33	4	4	0001394	LOCK-DOWN PIN
34	12	12	HDW	CABLE CLAMP, 1/2 in ID, 1-3/4 in LG
35	20	20	HDW	HEX BOLT, M6 X 1, 20 mm LG
36	4	4	HDW	HEX BOLT, M6 X 1, 25 mm LG
37	4	4	HDW	HEX BOLT, M6 X 1, 40 mm LG
39	4	4	HDW	HEX BOLT, M10 X 1.5, 160 mm LG, 26 mm LG THD
41	2	2	HDW	HEX BOLT, M12 X 1.75, 100 mm LG, 30 mm LG THD
42	8	8	HDW	HEX BOLT, FLANGED, M8 X 1.25, 20 mm LG
43	4	4	HDW	HEX BOLT, FLANGED, M8 X 1.25, 25 mm LG
44	172	172	HDW	HEX BOLT, FLANGED, M10 X 1.5, 30 mm LG



Item	Quantity		Part No.	Description
	HM126 HM130	HM130 MAX		
45	40	40	HDW	HEX BOLT, FLANGED, M10 X 1.5, 35 mm LG
46	16	16	HDW	HEX BOLT, FLANGED, M10 X 1.5, 40 mm LG
47	8	8	HDW	HEX BOLT, FLANGED, M12 X 1.75, 35 mm LG
48	12	12	HDW	SCREW, PPH, M5 X 0.8, 20 mm LG
49	32	32	HDW	FLAT WASHER, M6
50	4	4	HDW	FLAT WASHER, M10
51	28	28	HDW	LOCK NUT, M6 X 1
52	4	4	HDW	LOCK NUT, M10 X 1.5
53	2	2	HDW	LOCK NUT, M12 X 1.75
54	18	18	HDW	LOCK NUT, FLANGED, M5 X 0.8
55	12	12	HDW	LOCK NUT, FLANGED, M8 X 1.25
56	228	228	HDW	LOCK NUT, FLANGED, M10 X 1.5
57	8	8	HDW	LOCK NUT, FLANGED, M12 X 1.75
58	2	2	HDW	LOCK NUT, SLOTTED, M24 X 1.5, 16 mm HGT
59	10	10	HDW	LUG NUT, 1/2-20
60	4	4	HDW	LINCH PIN W/ RING, 3/16 in DIA X 1 in LG
61	2	2	HDW	LOCKING PIN W/ WIRE RETAINER, 1/4 in DIA X 2 in LG
62	2	2	HDW	COTTER PIN, 5/32 in DIA, 1-1/2 in LG
63	2	2	HDW	ROTARY SHAFT SEAL, SPR-LOADED, WIPER LIP, 30 mm SFT, 50 mm OD
64	4	4	L44649	ROLLER BEARING, TAPERED, 1-1/16 in SHAFT, 1-3/64 in OD, .56 in WIDE
65	2	2	5.30-12	WHEEL, 5.30-12



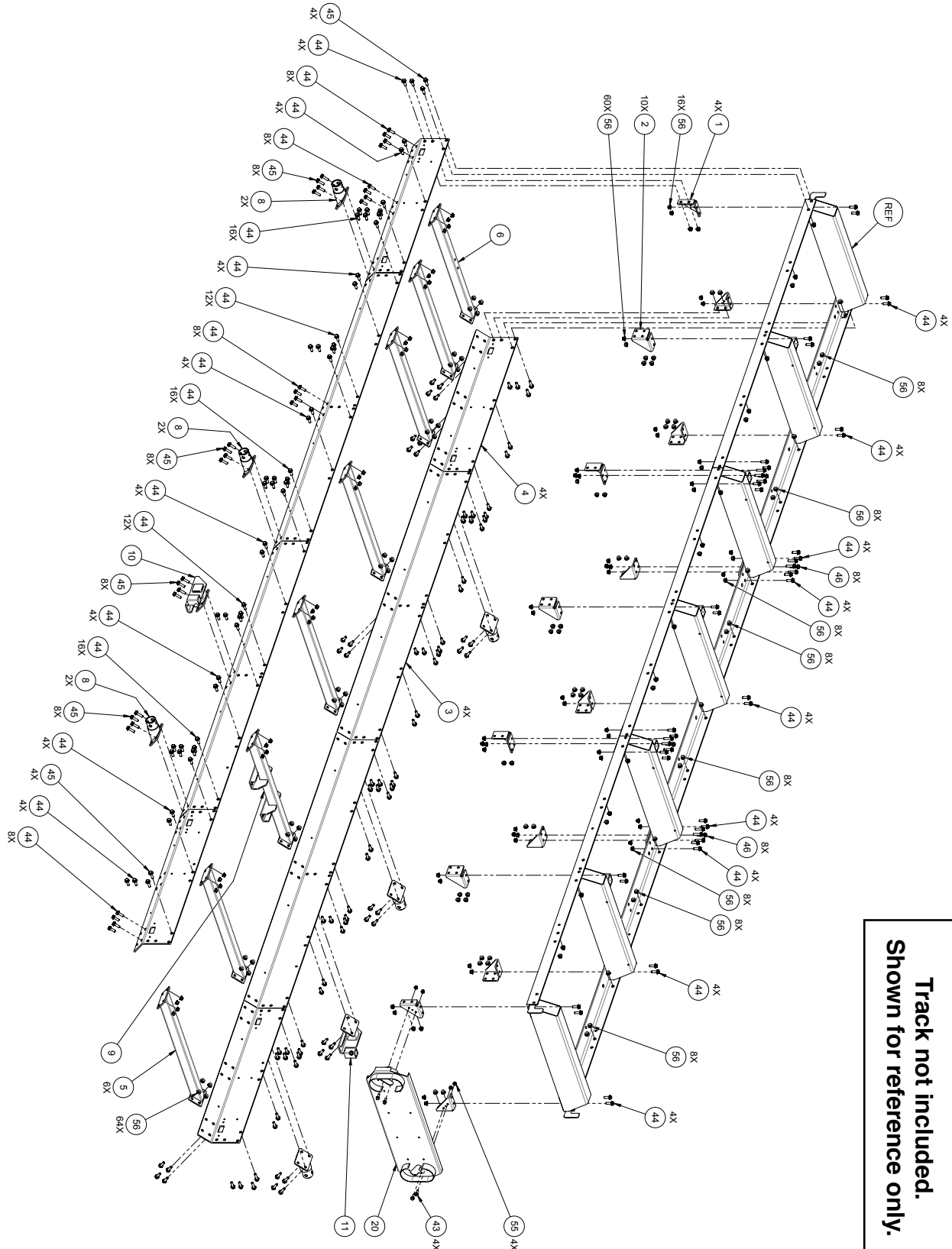
EXPLODED VIEWS COMPLETE ASSEMBLY



Track not included.
Shown for reference only.



CHASSIS AND TRACK

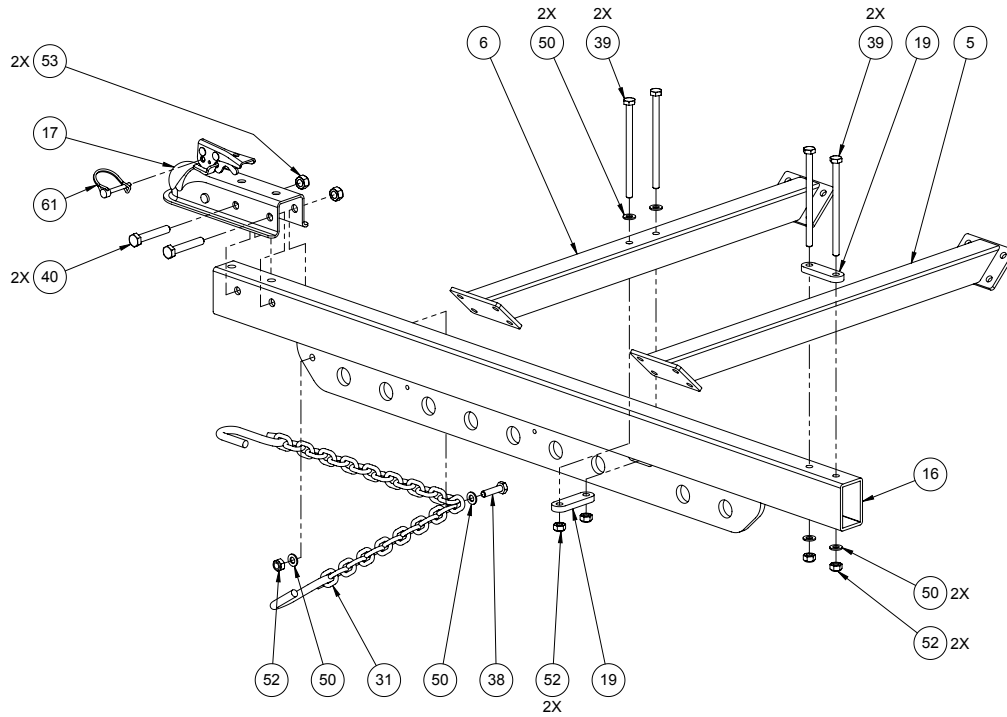


**Track not included.
Shown for reference only.**

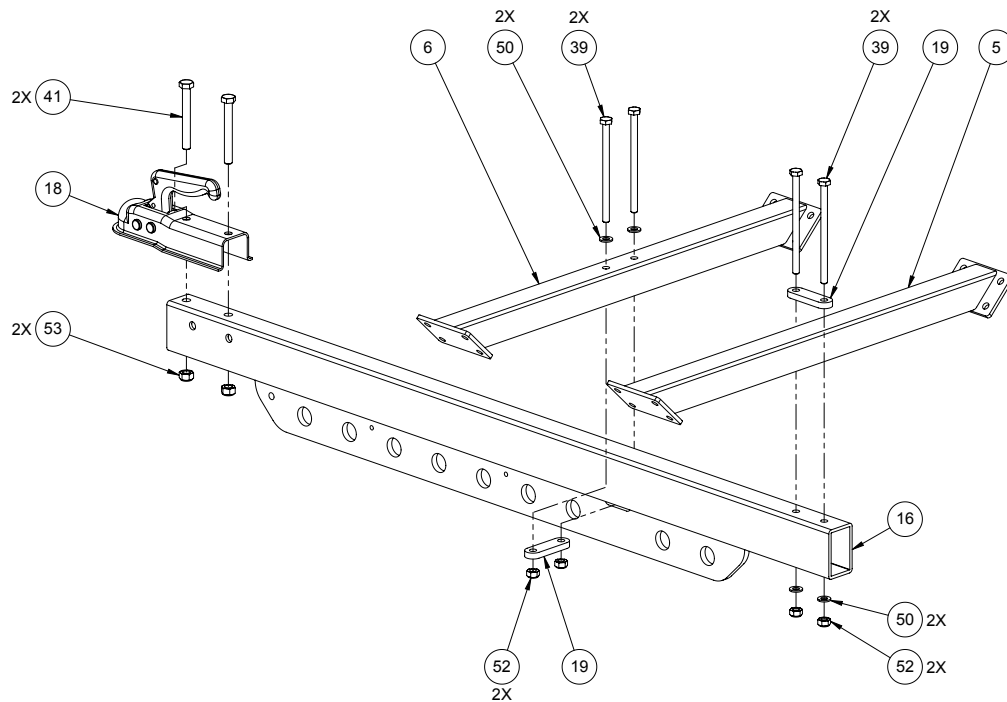


TONGUE

NORTH AMERICA

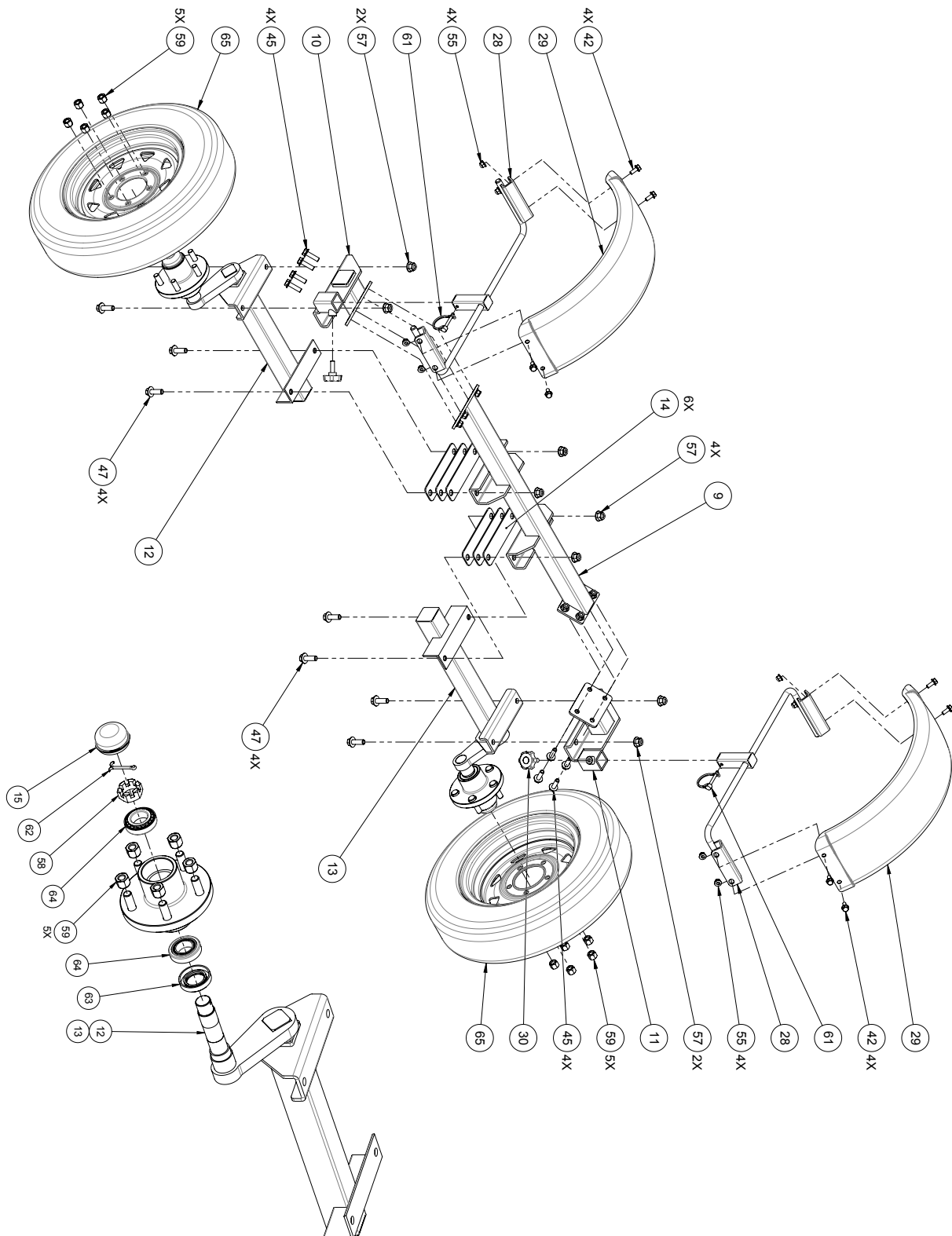


EUROPE





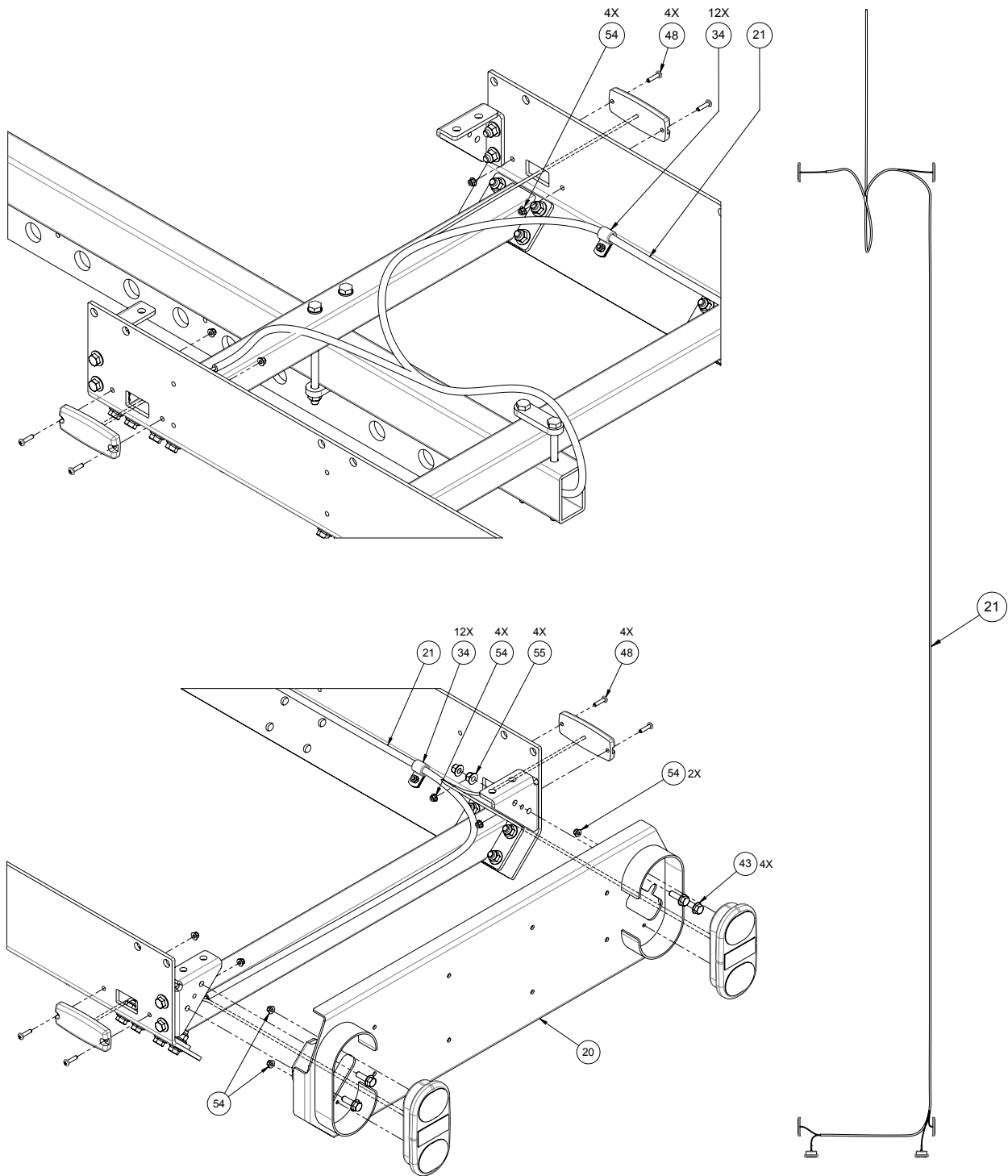
AXLES, WHEELS, AND FENDERS





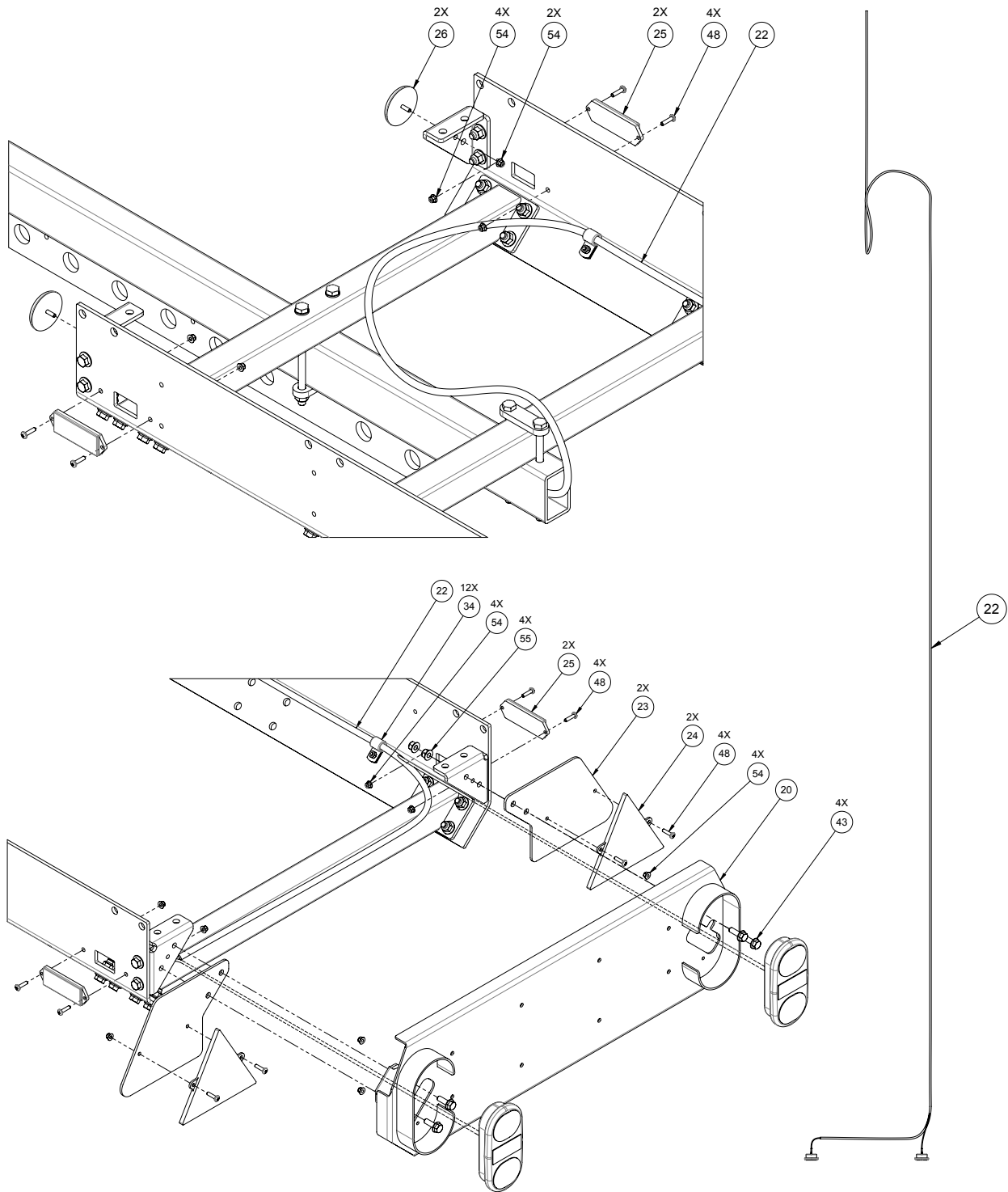
LIGHTING

NORTH AMERICA



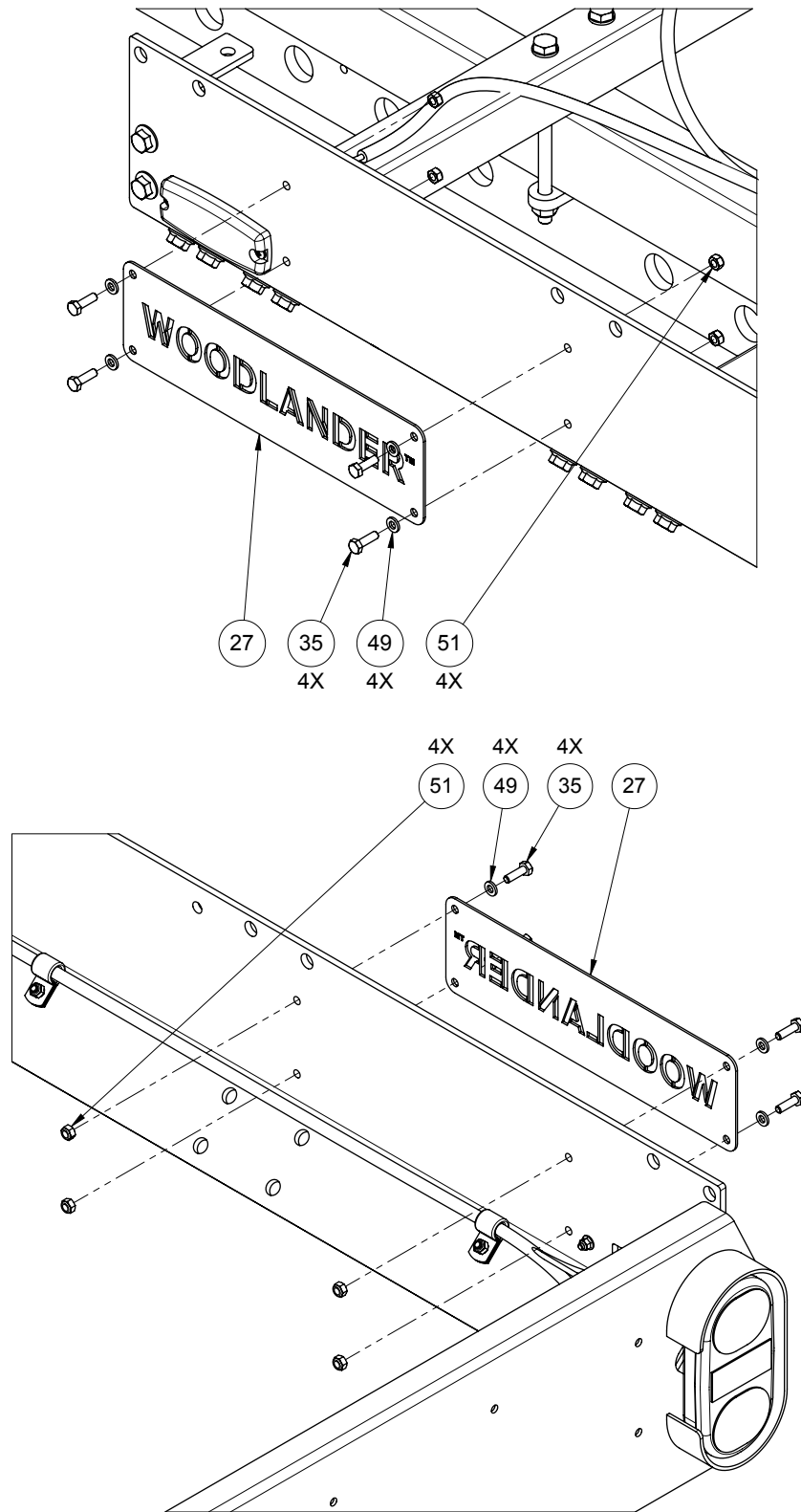


EUROPE



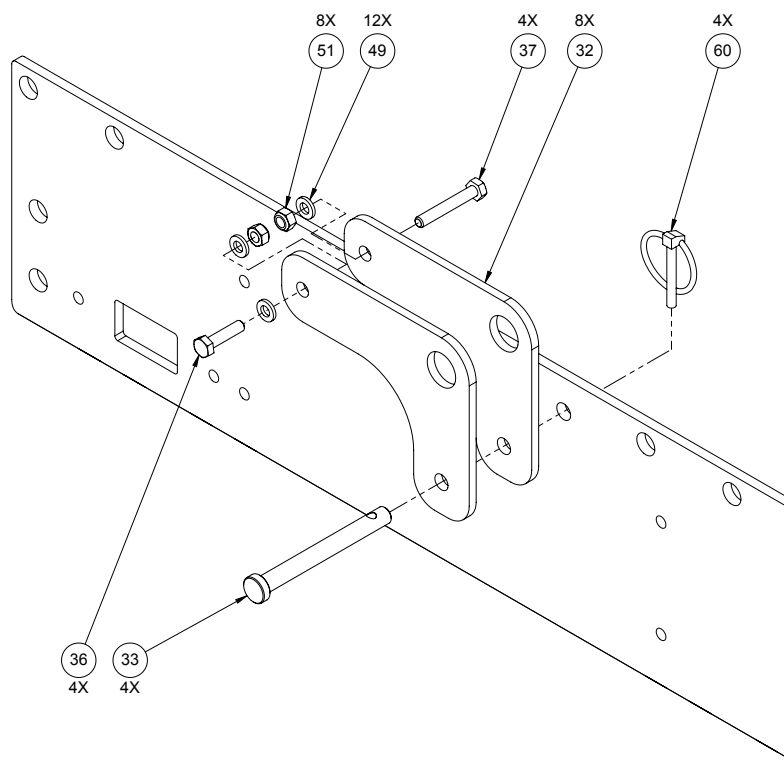


BADGES





HEAD LOCK-DOWN PLATES





A large section of the page consisting of 20 horizontal lines, intended for handwritten notes or additional information.



Lined area for notes or additional information, consisting of 21 horizontal lines.



Lined area for notes or additional information, consisting of multiple horizontal lines.

This page intentionally left blank.



**WOODLAND
MILLS**