

# WALKER

## Illustrated Parts Manual

Mulching Deck and Carrier Frame Assemblies

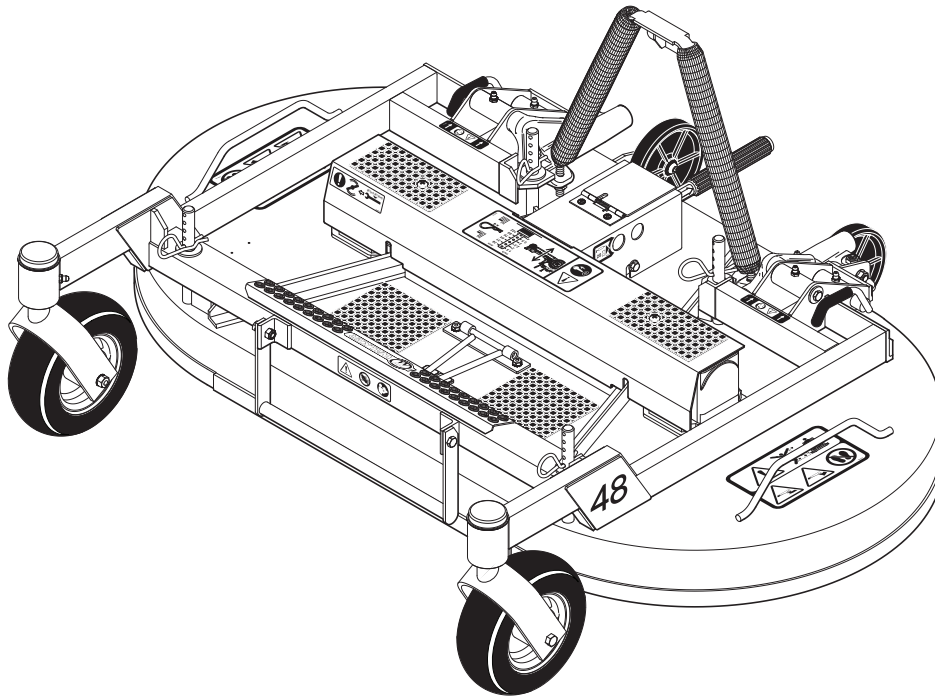
DM36

DM42

DM42A

DM42B

DM48



Effective Date: 02.03.17  
P/N 5000-35

# KEY TO ABBREVIATIONS USED IN THIS MANUAL

<i>Abbreviation</i>	<i>What it Represents</i>
° (Dimension)	Degrees (Angle)
" (Dimension)	inches
(-)	Negative (Polarity)
(+)	Positive (Polarity)
AT	All-Terrain
CCW	Counter-clockwise
Conn	Connector
CW	Clockwise
D	Diameter
DC	Deck, Collection (number refers to size in inches)
DM	Deck, Mulching (number refers to size in inches)
DR	Deck, Rear Discharge (number refers to size in inches)
DS	Deck, Side Discharge (number refers to size in inches)
DU	Garlock (Bearing)
ESNA (Fastener)	Nylon Insert Locknut
FSC	Forward Speed Control
GA	Gauge
gal	gallon
GHS	Grass Handling System
GR (Fastener)	Grade
HD	Heavy Duty
HP	Horse Power
ID	Identification or Inside Diameter
L	Length
LH	Left Hand (orientated with operator on seat)
LP	Low Profile
mm (Dimension)	millimeters
MS (Fastener)	Machine Screw
NS (as part number)	Item is not sold by Walker Manufacturing
OD	Outside Diameter
oz	ounce
PFH (Fastener)	Phillips Flat Head
P/N	Part Number
PPH (Fastener)	Phillips Pan Head
PTH (Fastener)	Phillips Truss Head
PTO	Power Take-Off
QKS	Quick Slide
qt	quart
RH	Right Hand (orientated with operator on seat)
SAE (Fastener)	Society of Automotive Engineers
SBH (Fastener)	Socket Button Head (Bolt)
SD	Side Discharge
SFH (Fastener)	Slotted Flat Head
SHC (Fastener)	Socket Head Cap
SHL (Fastener)	Shoulder (Bolt)
SM (Fastener)	Sheet Metal (Screw)
S/N	Serial Number
Spg	Spring
SQH (Fastener)	Square Head
SS (Fastener)	Stainless Steel
ST (Fastener)	Self-Tapping (Screw)
Term	Terminal
V	Volts

NOTE: In some instances, combinations of abbreviations may be used (e.g. PPHMS - Phillips Pan Head Machine Screw).

# ILLUSTRATED PARTS LIST

<i>Section of Deck Covered</i>	<i>Page</i>	<i>Section of Deck Covered</i>	<i>Page</i>
<b>Decals &amp; Paint</b>		<b>Maintenance</b>	
36", 42" & 48" Deck Decals / Touch-Up Paint .....	2	Lubrication Points .....	20
<b>Deck and Carrier Frame Assemblies</b>		H24d, H25, H27i And H38i Deck Arm Adapter Kit....	21
36 Inch Complete Carrier Frame Assembly.....	4	Blade Usage Chart.....	22
DM36 Deck Assembly.....	6	Fastener Loctite® Application &	
42 Inch Complete Carrier Frame Assembly.....	8	Torque Instructions .....	23
DM42 Deck Assembly.....	10	Maintenance And Service Record Sheet.....	24
48 Inch Complete Carrier Frame Assembly.....	12	Deck / Tractor Compatibility Chart.....	24
DM42A Deck Assembly.....	14	<b>Warranty</b>	
DM42B Deck Assembly .....	16	Limited Warranty.....	25
DM48 Deck Assembly.....	18		

## 36", 42" & 48" DECK DECALS / TOUCH-UP PAINT

ITEM NO.	PART NO.	DESCRIPTION	LOCATION	NO. REQ'D
<b>DM36, DM42, DM42A &amp; DM42B Deck Decals</b>				
1	8600-15	Caution, Pivot Joint	Carrier Frame	2
2	6875	PTO Alignment Arrow	Universal Joint Shaft Assembly	1
3	5846-1	Grease Fitting	PTO Shaft Guard	1
4	8600-39	Cutting Height Adjustment	Gearbox Cover	1
5	8600-28	Danger, Rotating Blades	Deck Housing (one on each end)	2
6	8821-14	Decal (36")	Carrier Frame	1
	8821-15	Decal (42")	Carrier Frame	1
	8821-16	Decal (48")	Carrier Frame	1
7	5809-2	Decal, Walker	Carrier Frame	1
8	8600-14	Danger, Tilt-Up	Carrier Frame, Front	1
9	8600-9	Blade Mounting Torque	Gearbox Cover	1

### DM48 Deck Decals

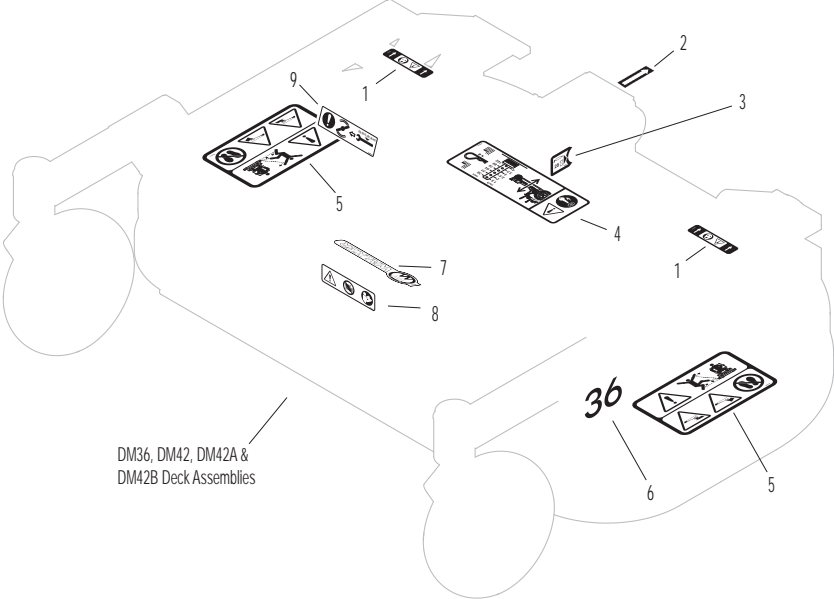
1	8600-15	Caution, Pivot Joint	Carrier Frame	2
2	6875	PTO Alignment Arrow	Universal Joint Shaft Assembly	1
3	5846-1	Grease Fitting	PTO Shaft Guard	1
4	8600-39	Cutting Height Adjustment	Gearbox Cover	1
5	8600-28	Danger, Rotating Blades	Deck Housing (one on each end)	2
6	8821-16	Decal (48")	Carrier Frame	1
7	5809-2	Decal, Walker	Carrier Frame	1
8	8600-14	Danger, Tilt-Up	Carrier Frame, Front	1
9	8600-9	Blade Mounting Torque	Gearbox Cover	1

### Touch-Up Paint

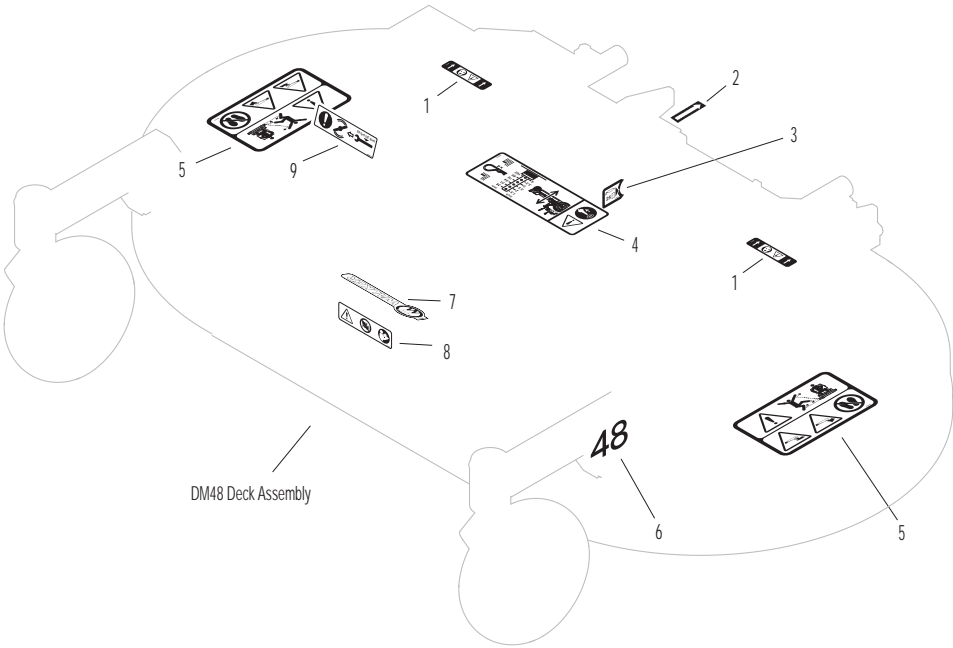
10	5866	Touch-Up Paint, Yellow (12 oz. Aerosol)		
----	------	---	--	--

**NOTE:** All parts requiring decals are shipped with decals applied.

# 36", 42" & 48" DECK DECALS / TOUCH-UP PAINT



DM36, DM42, DM42A & DM42B Deck Assemblies



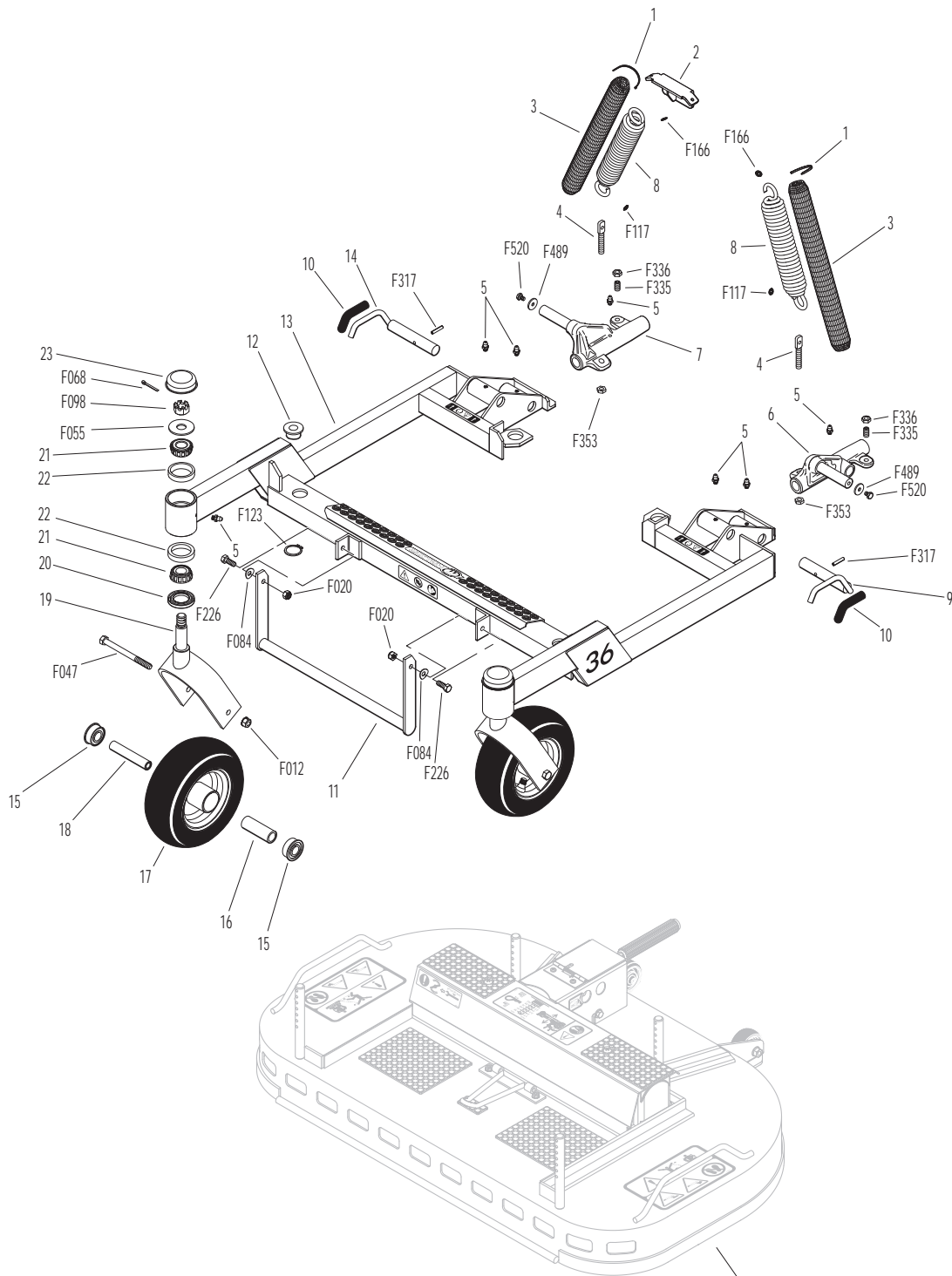
DM48 Deck Assembly



# 36 INCH COMPLETE CARRIER FRAME ASSEMBLY

ITEM NO.	PART NO.	DESCRIPTION	NO. REQ'D	ITEM NO.	PART NO.	DESCRIPTION	NO. REQ'D
<b>Spring and Pivot Mount Components</b>				<b>Fasteners</b>			
1	5975-3	Cable Tie (50# x 7")	4	F012		3/8-16 Keps Nut	2
2	5744-1	Spring Clip Bracket	1	F020		5/16-18 ESNA Nut	2
3	5743-1	Spring Cover	2	F047		3/8-16 x 4-1/2 Hex Bolt	2
4	5743-4	Eyebolt (3/8-16 x 2-3/4)	2	F055		5/8 SAE Washer	2
5	5830	Grease Fitting	8	F068		1/8 x 1 Cotter Pin	2
6	8667-3	Pivot Mount Assembly, LH/Adj. (Includes Items # 5, F353, F489 & F520)	*	F084		5/16 Wave Spring Washer	2
7	8667-4	Pivot Mount Assembly, RH/Adj. (Includes Items # 5, F353, F489 & F520)	*	F098		5/8-18 Slotted Hex Nut	2
8	5743-8	Extension Spring (1-1/2 x 7-3/4) (Includes Items # 1, F117 & F166)	2	F117		Retainer Ring	2
				F123		1" External Snap Ring	4
				F166		Retainer Ring	2
				F226		5/16-18 x 7/8 Hex Bolt	2
				F317		3/16 x 1 Split Spring Pin	2
				F335		3/8-16 x 7/8 Set Screw, SS	2
				F336		3/8-16 Jam Nut	2
				F353		3/8-16 ESNA LP Nut	2
				F489		Washer 1/4 x 7/8 x .090	2
				F520		1/4-28 x 3/8 Hex Bolt	2
<b>Carrier Frame Components</b>				* Service Part Only			
9	8674-11	Lever, Deck Lock, LH	1	** May be ordered as a kit for dealer installation. Contact your Walker dealer.			
10	7406-1	Handle Grip (Red)	2				
11	8669	Lift Handle	1				
12	5740-2	Deck Pin Bushing (5/8)	4				
13	5708-8	DML36 Carrier Frame	1				
	5708-7	36 Carrier Frame W/Forks (Includes Items # 19-21, 23, F055, F068 & F098)	*				
14	8674-10	Lever, Deck Lock, RH	1				
<b>Caster Wheel Components</b>							
15	5714-8	Bearing, Caster Wheel	4				
16	5714-9	Spacer Tube	2				
17	5715-14	Caster Wheel & Tire/No-Flat (8 x 3.00-4) (Includes Items # 15 & 16)	2				
	5715-16	Tire, Caster Wheel/No-Flat (8 x 3.00-4)	*				
	5715-13	Caster Wheel, Pneumatic (8 x 3.00-4) (Includes Items # 15 & 16)	**				
	5715-15	Caster Wheel Tire, Pneumatic (8 x 3.00-4)	**				
	5715-9	Tire Tube, Pneumatic (2.80/2.50-4)	**				
18	5714-6	Axle Spacer Tube	2				
19	5770-1	Caster Wheel Fork	2				
20	8768-1	Seal (1-3/4 x 1-1/8)	2				
21	8037	Bearing Cone (3/4 ID)	4				
22	8769-1	Bearing Cup (1-3/4 x 1-7/16)	4				
23	8769-9	Dust Cap, Deck Caster	2				

# 36 INCH COMPLETE CARRIER FRAME ASSEMBLY



Refer to DM36  
DECK ASSEMBLY,  
Page 6

Refer to LUBRICATION POINTS, Page 20.

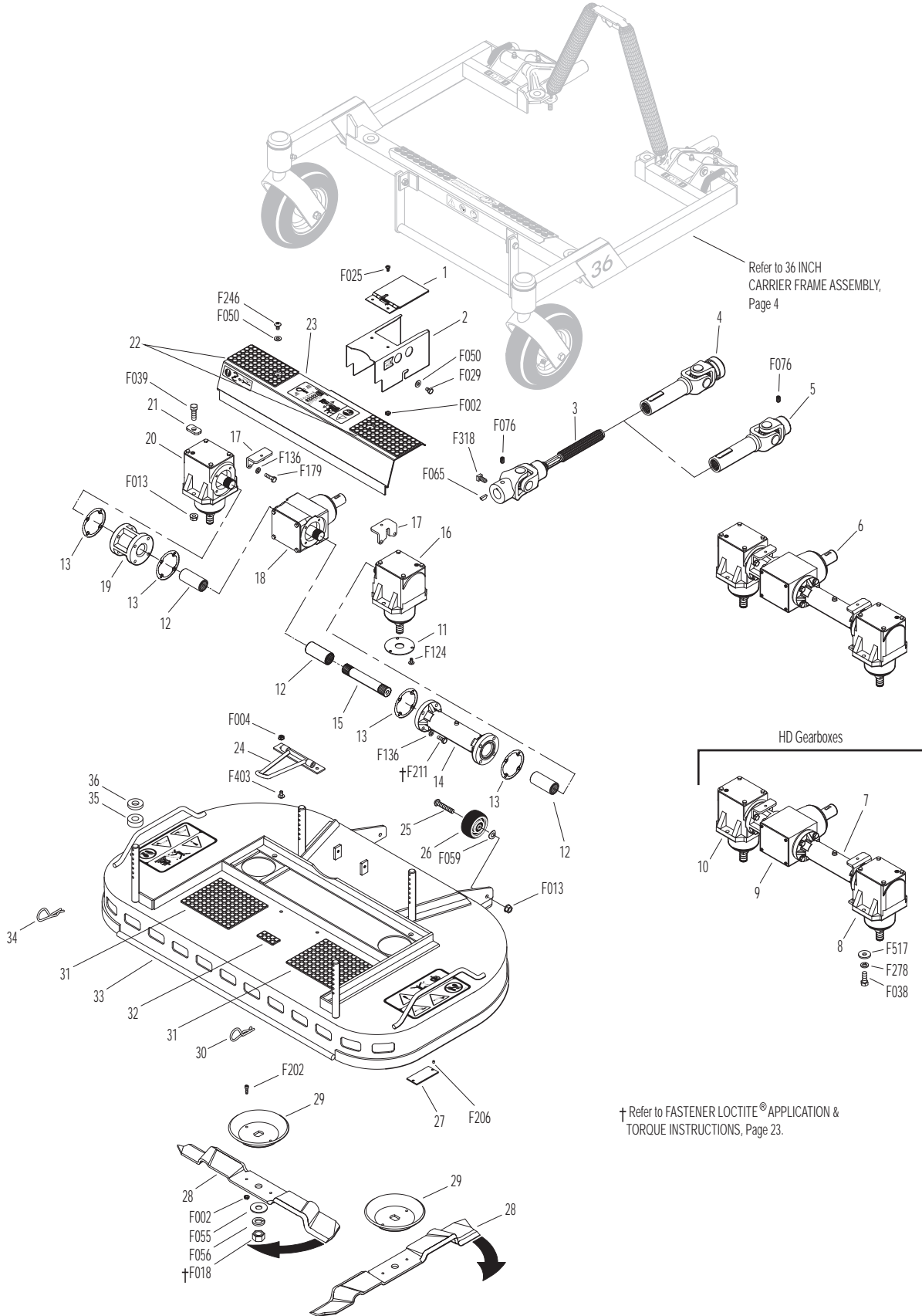
# DM36 DECK ASSEMBLY

## INCL. OPTIONAL HD GEARBOXES

ITEM NO.	PART NO.	DESCRIPTION	NO. REQ'D	ITEM NO.	PART NO.	DESCRIPTION	NO. REQ'D
<b>Gearbox and Drive Components</b>				34	7775-2	Hitch Pin, RH (Gold) #6	2
1	8618-1	Cover, PTO Shaft Guard	1	35	7434-1	Washer 1-3/8 x 5/8-1/2 Thick	4
2	8619-2	PTO Shaft Guard	1	36	5727-1	Washer Shim (5/8 ID)	4
	8618-3	PTO Shaft Guard Assembly (Includes Items # 1, 2, F002 & F025)	*	<b>Fasteners</b>			
3	5285-5	U-Joint Shaft Assembly (90 Degree) Spline, Keyed (Includes Items # F065, F076 & F318)	1	F002	10-24 Keps Nut		6
4	7275-16	U-Joint Tube Assembly (10" OAL), Spline	1	F004	1/4-20 Keps Nut		2
5	5275-15	U-Joint Tube Assembly (9.5" OAL), Spline (Includes Item # F076)	1	F013	3/8-16 Whiz Locknut		6
6	6704-22	DM36 Gearbox Tube Assembly (Includes Items # 11-20, F136, F179 & F211)	1	F018	5/8-18 Hex Nut		2
7	6711-2	DM36 Gearbox and Tube Assembly, HD (Includes Items # 8-10, 12-15, 17, 19, F136, F179 & F211)	**	F025	10-24 x 3/8 PPHMS		2
8	5052-16	HD Gearbox (1:2:1, 1.762) CCW-CCW	**	F029	1/4-20 x 1/2 Hex Bolt		2
9	5051-5	HD Tee Gearbox (1:1) CW-CW & CCW	**	F038	3/8-16 x 1 Hex Bolt		4***
10	5053-16	HD Gearbox (1:2:1, 1.1762) CW-CCW	**	F039	3/8-16 x 1-1/4 Hex Bolt		4
11	5706-4	Seal Protector Plate	2 <sup>Δ</sup>	F050	1/4 SAE Washer		4
12	6054	Spline Coupling	3	F055	5/8 SAE Washer		2
13	P007	Gasket, Cap (Peerless #788030)	4	F056	5/8 Split Lock Washer		2
14	5065	Connector Tube (7-11/16)	1	F059	3/8 Wave Spring Washer		2
15	6733-4	Connecting Shaft (5-5/16)	1	F065	3/16 x 3/4 Woodruff Key (#606)		1
16	5052-4	Gearbox (LH 1.2:1)	1	F076	3/8-16 x 5/8 SQH Set Screw		2
17	5704-1	Gearbox Cover Support	2	F124	10-32 x 3/8 Tapitite MS		6
18	5051-2	Tee Gearbox, Keyed (7/8" Dia. Shaft)	1	F136	AN960C416L Washer		16
19	5060	Connector Tube (2-5/16)	1	F179	1/4-20 x 1 Hex Bolt		4
20	5053-4	Gearbox (RH 1.2:1)	1	F202	10-24 x 5/8 SHC Screw, GR5 SS		4
21	5052-3	1.375 x .750 x .187 Washer	4 <sup>Δ</sup>	F206	#2 x 3/16 Drive Pin		2
22	5747-11	Rubber Mat (3 x 6)	2	F211	1/4-20 x 7/8 Hex Bolt		12
23	5746-6	36" Gearbox Cover (Includes Item # 22)	1	F246	1/4-20 x 1/2 PTHMS		2
<b>Deck Housing Components</b>				F278	3/8 Split Lock Washer		4***
24	8670	Tilt-Up Hook	1	F318	3/8-16 x 3/4 SQH Set Screw		1
25	8490-1	Roller Wheel Axle Bolt	2	F403	1/4-20 x 1/2 PTHMS, SS		2
26	9772	Roller Wheel Assembly (2-1/2) (Includes Item # F059)	2	F517	Washer 3/8 x 1-1/8 x 1/8		4***
27	NS	Deck Serial Number Plate	1	* Service Part Only			
28	5705-23	Blade 19" Mulch, Special	2	** Item(s) used on the HD version of standard gearboxes. The HD cast iron gearboxes are interchangeable with Standard aluminum gearboxes.			
29	5706	Blade Hub & Trash Guard	2	*** Hardware used on HD gearbox configuration.			
30	7775-1	Hitch Pin, LH (Silver) #6	2	Δ Used on standard aluminum gearbox configuration.			
31	8735-10	Rubber Mat (5 x 6)	2	<b>NOTE:</b> Order Item # 4 to use the splined deck PTO shaft with Model T23, T25i, T30i, D21d, C19, C19i, B19, B23i and B25p.			
32	8788-1	Rubber Mat (1 x 2)	1	<b>NOTE:</b> Order Item # 5 to use the splined deck PTO shaft with Model S14 and B18.			
33	5702-7	DML36 Deck Housing (Includes Items # 31 & 32)	1				



# DM36 DECK ASSEMBLY INCL. OPTIONAL HD GEARBOXES

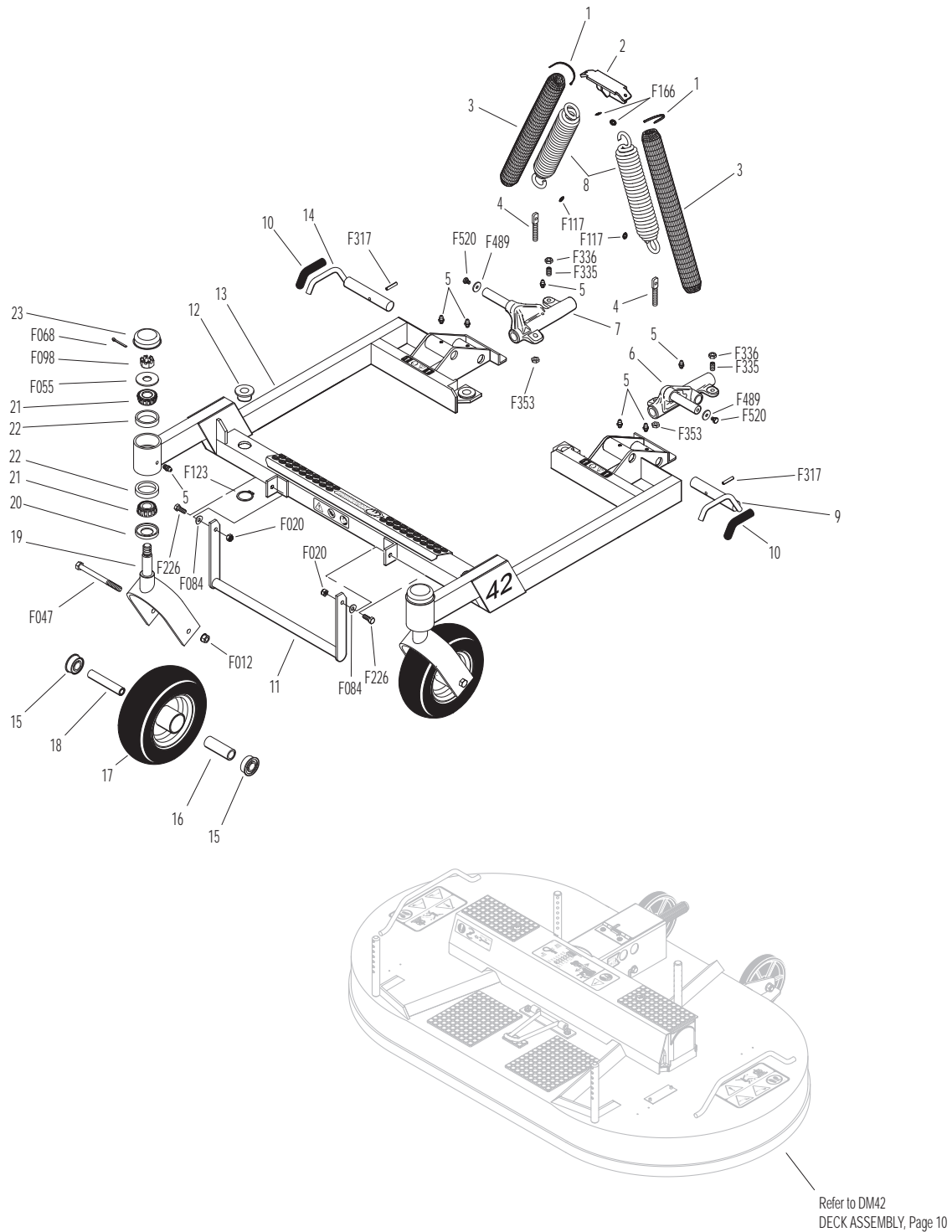


Refer to LUBRICATION POINTS, Page 20.

# 42 INCH COMPLETE CARRIER FRAME ASSEMBLY

ITEM NO.	PART NO.	DESCRIPTION	NO. REQ'D	ITEM NO.	PART NO.	DESCRIPTION	NO. REQ'D
<b>Spring and Pivot Mount Components</b>				<b>Fasteners</b>			
1	5975-3	Cable Tie (50# x 7")	4	F012		3/8-16 Keps Nut	2
2	5744-1	Spring Clip Bracket	1	F020		5/16-18 ESNA Nut	2
3	5743-1	Spring Cover	2	F047		3/8-16 x 4-1/2 Hex Bolt	2
4	5743-4	Eyebolt (3/8-16 x 2-3/4)	2	F055		5/8 SAE Washer	2
5	5830	Grease Fitting	8	F068		1/8 x 1 Cotter Pin	2
6	8667-3	Pivot Mount Assembly, LH/Adj. (Includes Items # 5, F353, F489 & F520)	*	F084		5/16 Wave Spring Washer	2
7	8667-4	Pivot Mount Assembly, RH/Adj. (Includes Items # 5, F353, F489 & F520)	*	F098		5/8-18 Slotted Hex Nut	2
8	5743-8	Extension Spring (1-1/2 x 7-3/4) (Includes Items # 1, F117 & F166)	2	F117		Retainer Ring	2
				F123		1" External Snap Ring	4
				F166		Retainer Ring	2
				F226		5/16-18 x 7/8 Hex Bolt	2
				F317		3/16 x 1 Split Spring Pin	2
				F335		3/8-16 x 7/8 Set Screw, SS	2
				F336		3/8-16 Jam Nut	2
				F353		3/8-16 ESNA LP Nut	2
				F489		Washer 1/4 x 7/8 x .090	2
				F520		1/4-28 x 3/8 Hex Bolt	2
<b>Carrier Frame Components</b>				* Service Part Only			
9	8674-11	Lever, Deck Lock, LH	1	** May be ordered as a kit for dealer installation. Contact your Walker dealer.			
10	7406-1	Handle Grip (Red)	2				
11	8669	Lift Handle	1				
12	5740-2	Deck Pin Bushing (5/8)	4				
13	8660-13	42" Carrier Frame (Less Pivots)	1				
	8660-12	42" Carrier Frame W/Forks (Less Pivots) (Includes Items # 19-21, 23, F055, F068 & F098)	*				
14	8674-10	Lever, Deck Lock, RH	1				
<b>Caster Wheel Components</b>							
15	5714-8	Bearing, Caster Wheel	4				
16	5714-9	Spacer Tube	2				
17	5715-14	Caster Wheel & Tire/No-Flat (8 x 3.00-4) (Includes Items # 15 & 16)	2				
	5715-16	Tire, Caster Wheel/No-Flat (8 x 3.00-4)	*				
	5715-13	Caster Wheel, Pneumatic (8 x 3.00-4) (Includes Items # 15 & 16)	**				
	5715-15	Caster Wheel Tire, Pneumatic (8 x 3.00-4)	**				
	5715-9	Tire Tube, Pneumatic (2.80/2.50-4)	**				
18	5714-6	Axle Spacer Tube	2				
19	5770-1	Caster Wheel Fork	2				
20	8768-1	Seal (1-3/4 x 1-1/8)	2				
21	8037	Bearing Cone (3/4 ID)	4				
22	8769-1	Bearing Cup (1-3/4 x 1-7/16)	4				
23	8769-9	Dust Cap, Deck Caster	2				

# 42 INCH COMPLETE CARRIER FRAME ASSEMBLY

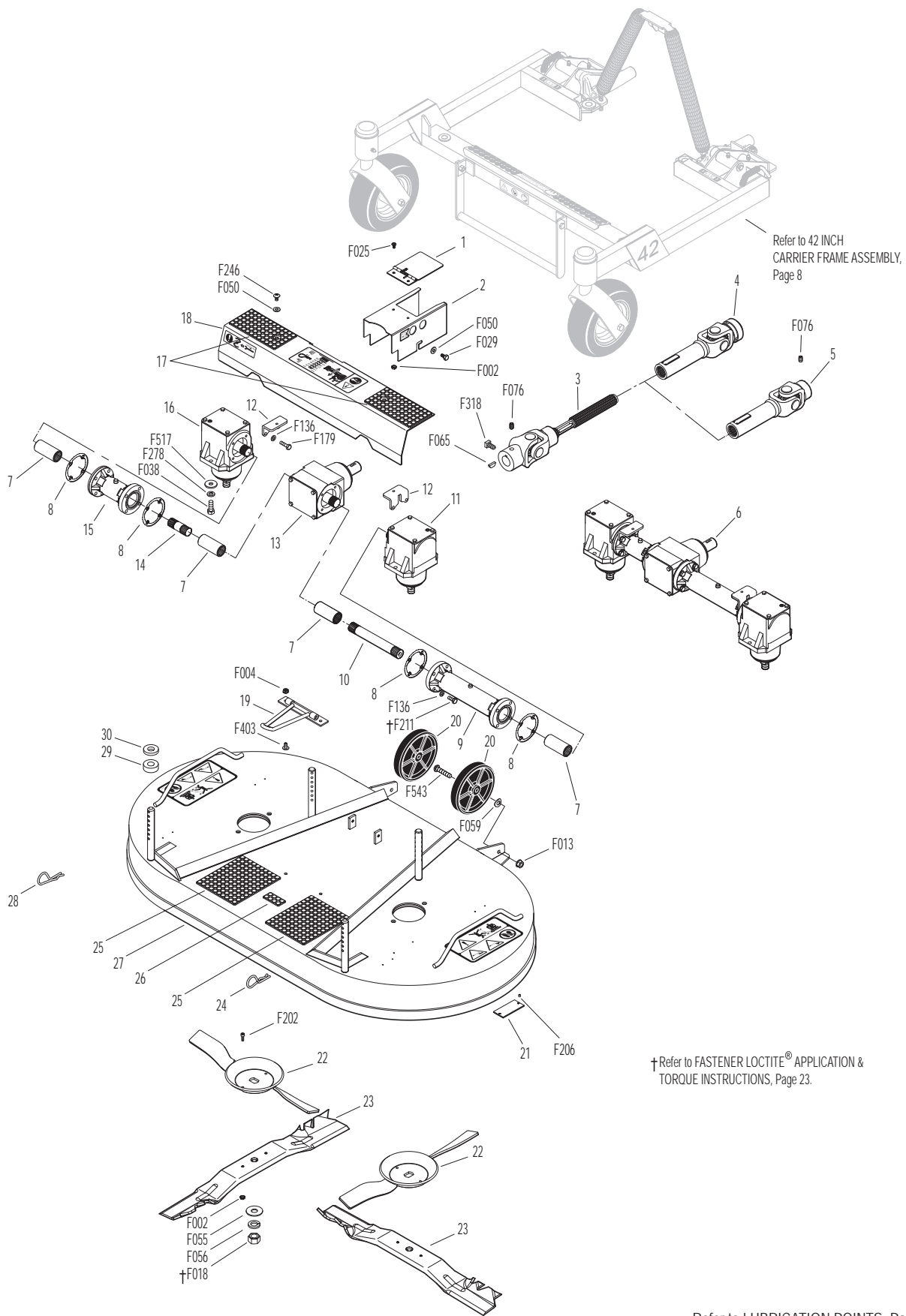


Refer to LUBRICATION POINTS, Page 20.

# DM42 DECK ASSEMBLY

ITEM NO.	PART NO.	DESCRIPTION	NO. REQ'D	ITEM NO.	PART NO.	DESCRIPTION	NO. REQ'D
<b>Gearbox and Drive Components</b>				27	5701-15	DM42 Deck Housing (Includes Items # 25 & 26)	1
1	8618-1	Cover, PTO Shaft Guard	1	28	7775-2	Hitch Pin, RH (Gold) #6	2
2	8619	PTO Shaft Guard	1	29	7434-1	Washer 1-3/8 x 5/8-1/2 Thick	4
	8618	PTO Shaft Guard Assembly (Includes Items # 1, 2, F002 & F025)	*	30	5727-1	Washer Shim (5/8 ID)	4
3	5285-5	U-Joint Shaft Assembly, Spline (Keyed) (Includes Items # F065, F076 & F318)	1	<b>Fasteners</b>			
4	7275-16	U-Joint Tube Assembly (10" OAL), Spline	1	F002	10-24 Keps Nut		6
5	5275-15	U-Joint Tube Assembly (9.5" OAL), Spline (Includes Item # F076)	1	F004	1/4-20 Keps Nut		2
6	6711-7	42" Mulch Gearbox and Tube Assembly, HD (Includes Items # 7-16, F136, F179 & F211)	1	F013	3/8-16 Whiz Locknut		2
7	6054	Spline Coupling	4	F018	5/8-18 Hex Nut		2
8	P007	Gasket, Cap (Peerless #788030)	4	F025	10-24 x 3/8 PPHMS		2
9	5063	Gearbox Connector Tube (8-5/8)	1	F029	1/4-20 x 1/2 Hex Bolt		2
10	6733-3	Connecting Shaft (6-1/4)	1	F038	3/8-16 x 1 Hex Bolt		4
11	5052-13	HD Gearbox (1:1) CCW/CCW	1	F050	1/4 SAE Washer		4
12	5704-1	Gearbox Cover Support	2	F055	5/8 SAE Washer		2
13	5051-5	HD Tee Gearbox, (1:1) CW-CW & CCW	1	F056	5/8 Split Lock Washer		2
14	6733-1	Connecting Shaft (2")	1	F059	3/8 Wave Spring Washer		2
15	5062	Gearbox Connector Tube (4-3/8)	1	F065	3/16 x 3/4 Woodruff Key (#606)		1
16	5053-3	HD Gearbox (1:1) CW-CCW	1	F076	3/8-16 x 5/8 SQH Set Screw		2
17	5747-11	Rubber Mat (3 x 6)	2	F136	AN960C416L Washer		16
18	8629-3	42" Gearbox Cover (Includes Item # 17)	1	F179	1/4-20 x 1 Hex Bolt		4
<b>Deck Housing Components</b>				F202	10-24 x 5/8 SHC Screw, GR5 SS		4
19	8670	Tilt-Up Hook	1	F206	#2 x 3/16 Drive Pin		2
20	5162-12	Roller Wheel (5" Poly) (Includes Items # F013, F059 & F543)	2	F211	1/4-20 x 7/8 Hex Bolt		12
21	NS	Deck Serial Number Plate	1	F246	1/4-20 x 1/2 PTHMS		2
22	5706-7	Mulch Blade Hub, 14" (Clear Zinc)	2	F278	3/8 Split Lock Washer		4
23	7705-25	Blade, 22" (Mulch)	2	F318	3/8-16 x 3/4 SQH Set Screw		1
	5705-27	42DM Blade Set W/Hubs (Includes Items # 22, 23, F002 & F202)	*	F403	1/4-20 x 1/2 PTHMS, SS		2
24	7775-1	Hitch Pin, LH (Silver) #6	2	F517	Washer 3/8 x 1-1/8 x 1/8		4
25	8735-10	Rubber Mat (5 x 6)	2	F543	3/8-16 x 1-1/2 BH Cap Screw		2
26	8788-1	Rubber Mat (1 x 2)	1	* Service Part Only			
				<b>NOTE:</b> Order Item # 4 to use the splined deck PTO shaft with Model T23, T25i, T30i, D21d, C19, C19i, B19, B23i and B25p.			
				<b>NOTE:</b> Order Item # 5 to use the splined deck PTO shaft with Model S14 and B18.			

# DM42 DECK ASSEMBLY



Refer to 42 INCH CARRIER FRAME ASSEMBLY, Page 8

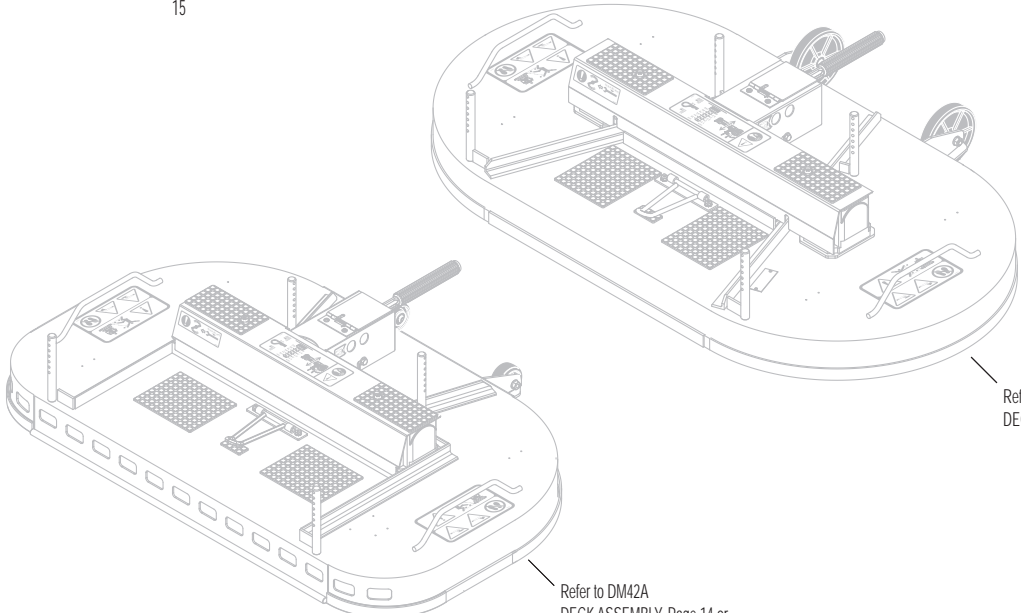
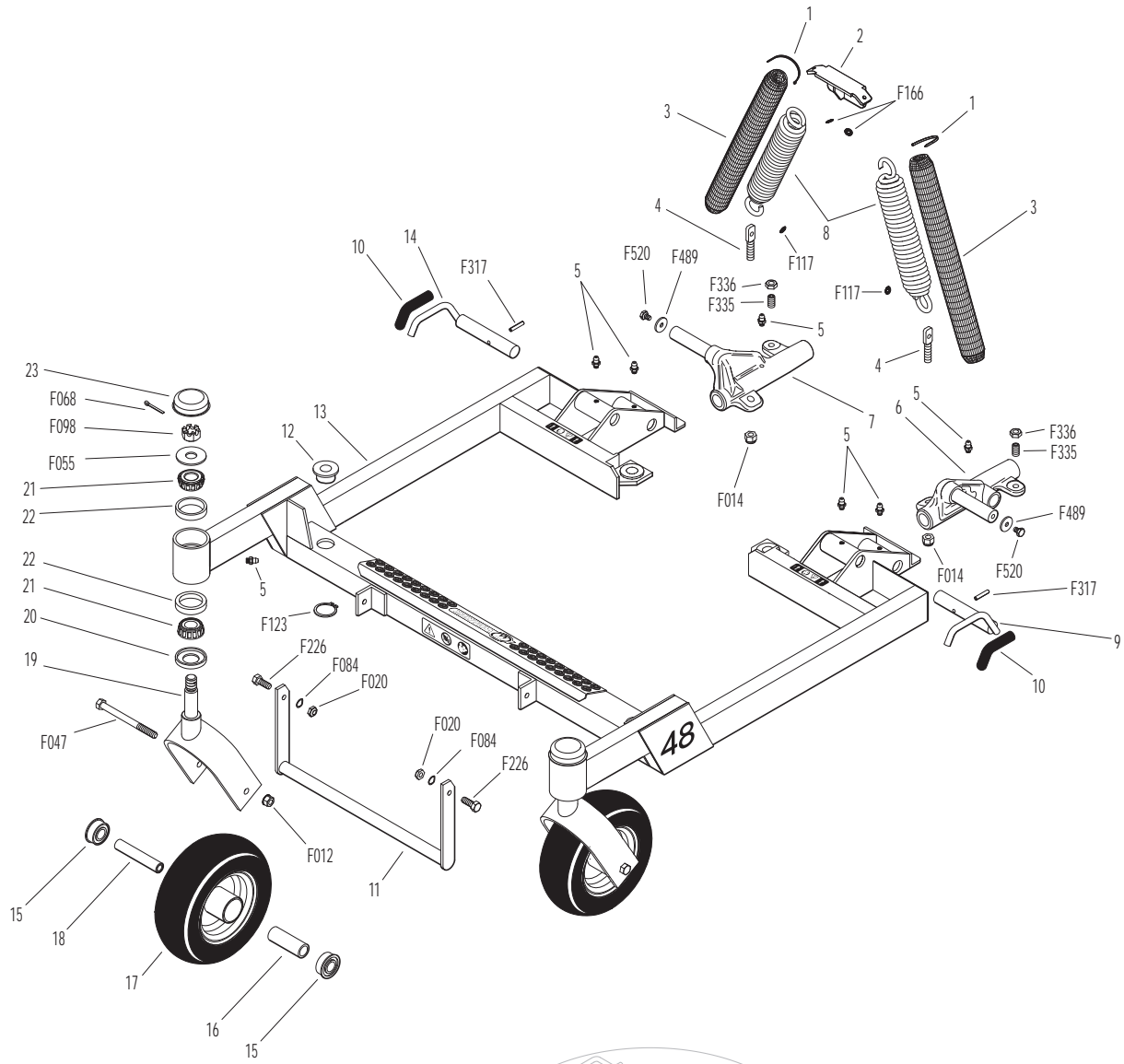
† Refer to FASTENER LOCTITE® APPLICATION & TORQUE INSTRUCTIONS, Page 23.

Refer to LUBRICATION POINTS, Page 20.

# 48 INCH COMPLETE CARRIER FRAME ASSEMBLY

ITEM NO.	PART NO.	DESCRIPTION	NO. REQ'D	ITEM NO.	PART NO.	DESCRIPTION	NO. REQ'D
<b>Spring and Pivot Mount Components</b>				<b>Fasteners</b>			
1	5975-3	Cable Tie (50# x 7")	4	F012		3/8-16 Keps Nut	2
2	5744-1	Spring Clip Bracket	1	F014		3/8-16 ESNA Nut	2
3	5743-1	Spring Cover	2	F020		5/16-18 ESNA Nut	2
4	5743-3	Eyebolt (3/8-16 x 2)	2	F047		3/8-16 x 4-1/2 Hex Bolt	2
	5743-4	Eyebolt (3/8-16 x 2-3/4)	2***	F055		5/8 SAE Washer	2
5	5830	Grease Fitting	8	F068		1/8 x 1 Cotter Pin	2
6	8667-3	Pivot Mount Assembly, LH/Adj. (Includes Items # 5, F014, F489 & F520)	*	F084		5/16 Wave Spring Washer	2
7	8667-4	Pivot Mount Assembly, RH/Adj. (Includes Items # 5, F014, F489 & F520)	*	F098		5/8-18 Slotted Hex Nut	2
8	5743-8	Extension Spring (1-1/2 x 7-3/4) (Includes Items # 1, F117 & F166)	2	F117		Retainer Ring	2
				F123		1" External Snap Ring	4
				F166		Retainer Ring	2
				F226		5/16-18 x 7/8 Hex Bolt	2
				F317		3/16 x 1 Split Spring Pin	2
				F335		3/8-16 x 7/8 Set Screw, SS	2
				F336		3/8-16 Jam Nut	2
				F489		Washer 1/4 x 7/8 x .090	2
				F520		1/4-28 x 3/8 Hex Bolt	2
<b>Carrier Frame Components</b>				* Service Part Only			
9	8674-11	Lever, Deck Lock, LH	1	** May be ordered as a kit for dealer installation. Contact your Walker dealer.			
10	7406-1	Handle Grip (Red)	2	*** Item used with DM42A and DM42B Mulching Decks only			
11	8669	Lift Handle	1	<b>NOTE:</b> The 48 Inch Carrier Frame is also used on the DM42A Mulching Deck and DM42B Mulching Deck.			
12	5740-2	Deck Pin Bushing (5/8)	4				
13	8661-2	48" Carrier Frame (Less Pivots)	1				
	8661-1	48" Carrier Frame W/Forks (Less Pivots) (Includes Items # 19-21, 23, F055, F068 & F098)	*				
14	8674-10	Lever, Deck Lock, RH	1				
<b>Caster Wheel Components</b>							
15	5714-8	Bearing, Caster Wheel	4				
16	5714-9	Spacer Tube	2				
17	5715-14	Caster Wheel & Tire/No-Flat (8 x 3.00-4) (Includes Items # 15 & 16)	2				
	5715-16	Tire, Caster Wheel/No-Flat (8 x 3.00-4)	*				
	5715-13	Caster Wheel, Pneumatic (8 x 3.00-4) (Includes Items # 15 & 16)	**				
	5715-15	Caster Wheel Tire, Pneumatic (8 x 3.00-4)	**				
	5715-9	Tire Tube, Pneumatic (2.80/2.50-4)	**				
18	5714-6	Axle Spacer Tube	2				
19	5770-1	Caster Wheel Fork	2				
20	8768-1	Seal (1-3/4 x 1-1/8)	2				
21	8037	Bearing Cone (3/4 ID)	4				
22	8769-1	Bearing Cup (1-3/4 x 1-7/16)	4				
23	8769-9	Dust Cap, Deck Caster	2				

# 48 INCH COMPLETE CARRIER FRAME ASSEMBLY



Refer to DM42A  
DECK ASSEMBLY, Page 14 or  
DM42B DECK ASSEMBLY, Page 16

Refer to DM48  
DECK ASSEMBLY, Page 18

Refer to LUBRICATION POINTS, Page 20.

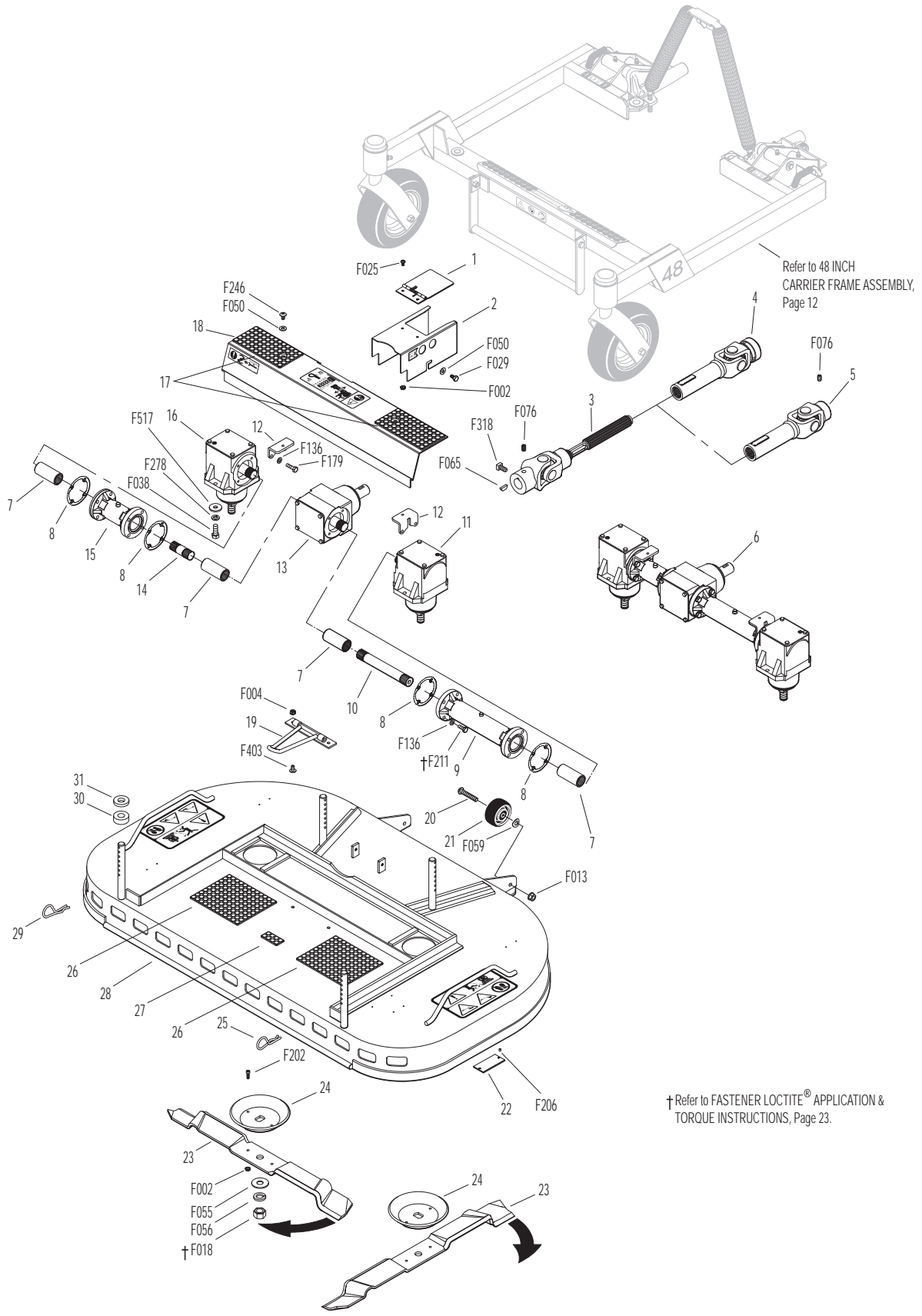


# DM42A DECK ASSEMBLY

ITEM NO.	PART NO.	DESCRIPTION	NO. REQ'D	ITEM NO.	PART NO.	DESCRIPTION	NO. REQ'D
<b>Gearbox and Drive Components</b>				27	8788-1	Rubber Mat (1 x 2)	1
1	8618-1	Cover, PTO Shaft Guard	1	28	5701-11	DML42A Deck Housing (Includes Items # 26 & 27)	1
2	8619	PTO Shaft Guard	1	29	7775-2	Hitch Pin, RH (Gold) #6	2
	8618	PTO Shaft Guard Assembly (Includes Items # 1, 2, F002 & F025)	*	30	7434-1	Washer 1-3/8 x 5/8-1/2 Thick	4
3	7285-4	U-Joint Shaft Assembly, Splined (Keyed) (Includes Items # F065, F076 & F318)	1	31	5727-1	Washer Shim (5/8 ID)	4
4	7275-16	U-Joint Tube Assembly (10" OAL), Spline	1	<b>Fasteners</b>			
5	5275-15	U-Joint Tube Assembly (9.5" OAL), Spline (Includes Item # F076)	1	F002	10-24 Keps Nut		6
6	6711-8	42" Mulch Gearbox and Tube Assembly, HD (Includes Items # 7-16, F136, F179 & F211)	1	F004	1/4-20 Keps Nut		2
7	6054	Spline Coupling	4	F013	3/8-16 Whiz Locknut		2
8	P007	Gasket, Cap (Peerless #788030)	4	F018	5/8-18 Hex Nut		2
9	5063	Gearbox Connector Tube (8-5/8)	1	F025	10-24 x 3/8 PPHMS		2
10	6733-3	Connecting Shaft (6-1/4)	1	F029	1/4-20 x 1/2 Hex Bolt		2
11	5052-15	HD Gearbox (1:1, 1.762) CCW-CCW	1	F038	3/8-16 x 1 Hex Bolt		4
12	5704-1	Gearbox Cover Support	2	F050	1/4 SAE Washer		4
13	5051-5	HD Tee Gearbox (1:1) CW-CW & CCW	1	F055	5/8 SAE Washer		2
14	6733-1	Connecting Shaft (2")	1	F056	5/8 Split Lock Washer		2
15	5062	Gearbox Connector Tube (4-3/8)	1	F059	3/8 Wave Spring Washer		2
16	5053-15	HD Gearbox (1:1, 1.762) CW-CCW	1	F065	3/16 x 3/4 Woodruff Key (#606)		1
17	5747-11	Rubber Mat (3 x 6)	2	F076	3/8-16 x 5/8 SQH Set Screw		2
18	5785-5	42" Gearbox Cover (Includes Item # 17)	1	F136	AN960C416L Washer		16
<b>Deck Housing Components</b>				F179	1/4-20 x 1 Hex Bolt		4
19	8670	Tilt-Up Hook	1	F202	10-24 x 5/8 SHC Screw, GR5 SS		4
20	8490-1	Roller Wheel Axle Bolt	2	F206	#2 x 3/16 Drive Pin		2
21	9772	Roller Wheel Assembly (2-1/2) (Includes Item # F059)	2	F211	1/4-20 x 7/8 Hex Bolt		12
22	NS	Deck Serial Number Plate	1	F246	1/4-20 x 1/2 PTHMS		2
23	5705-28	Blade 22" Mulch, Special	2	F278	3/8 Split Lock Washer		4
	5705-19	DML42A Blade Set W/Hubs (Includes Items # 23, 24, F002 & F202)	*	F318	3/8-16 x 3/4 SQH Set Screw		1
24	5706	Blade Hub & Trash Guard	2	F403	1/4-20 x 1/2 PTHMS, SS		2
25	7775-1	Hitch Pin, LH (Silver) #6	2	F517	Washer 3/8 x 1-1/8 x 1/8		4
26	8735-10	Rubber Mat (5 x 6)	2	* Service Part Only			
				<b>NOTE:</b> Order Item # 4 to use the splined deck PTO shaft with Model T23, T25i, T30i, D21d, C19, C19i, B19, B23i and B25p.			
				<b>NOTE:</b> Order Item # 5 to use the splined deck PTO shaft with Model S14 and B18.			



# DM42A DECK ASSEMBLY

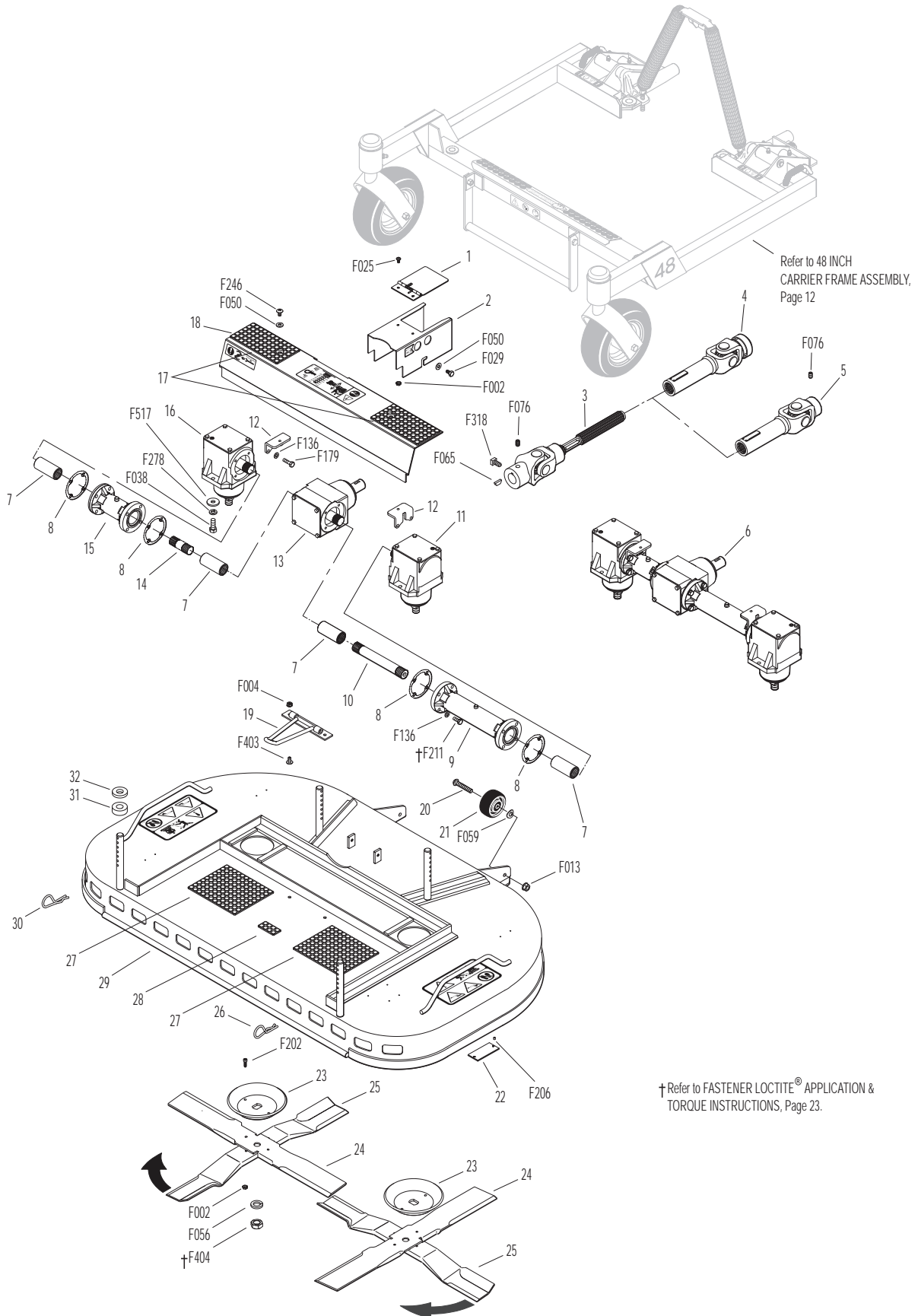


Refer to LUBRICATION POINTS, Page 20.

# DM42B DECK ASSEMBLY

ITEM NO.	PART NO.	DESCRIPTION	NO. REQ'D	ITEM NO.	PART NO.	DESCRIPTION	NO. REQ'D
<b>Gearbox and Drive Components</b>				26	7775-1	Hitch Pin, LH (Silver) #6	2
1	8618-1	Cover, PTO Shaft Guard	1	27	8735-10	Rubber Mat (5 x 6)	2
2	8619	PTO Shaft Guard	1	28	8788-1	Rubber Mat (1 x 2)	1
	8618	PTO Shaft Guard Assembly (Includes Items # 1, 2, F002 & F025)	*	29	5701-13	DML42B Deck Housing (Includes Items # 27 & 28)	1
3	7285-4	U-Joint Shaft Assembly, Spline (Keyed) (Includes Items # F065, F076 & F318)	1	30	7775-2	Hitch Pin, RH (Gold) #6	2
4	7275-16	U-Joint Tube Assembly (10" OAL), Spline	1	31	7434-1	Washer 1-3/8 x 5/8-1/2 Thick	4
5	5275-15	U-Joint Tube Assembly (9.5" OAL), Spline (Includes Item # F076)	1	32	5727-1	Washer Shim (5/8 ID)	4
6	6711-7	42" Mulch Gearbox and Tube Assembly, HD (Includes Items # 7-16, F136, F179 & F211)	1	<b>Fasteners</b>			
7	6054	Spline Coupling	4	F002	10-24 Keps Nut	6	
8	P007	Gasket, Cap (Peerless #788030)	4	F004	1/4-20 Keps Nut	2	
9	5063	Gearbox Connector Tube (8-5/8)	1	F013	3/8-16 Whiz Locknut	2	
10	6733-3	Connecting Shaft (6-1/4)	1	F025	10-24 x 3/8 PPHMS	2	
11	5052-13	HD Gearbox (1:1) CCW/CCW	1	F029	1/4-20 x 1/2 Hex Bolt	2	
12	5704-1	Gearbox Cover Support	2	F038	3/8-16 x 1 Hex Bolt	4	
13	5051-5	HD Tee Gearbox (1:1) CW-CW & CCW	1	F050	1/4 SAE Washer	4	
14	6733-1	Connecting Shaft (2")	1	F056	5/8 Split Lock Washer	2	
15	5062	Gearbox Connector Tube (4-3/8)	1	F059	3/8 Wave Spring Washer	2	
16	5053-3	HD Gearbox (1:1) CW-CCW	1	F065	3/16 x 3/4 Woodruff Key (#606)	1	
17	5747-11	Rubber Mat (3 x 6)	2	F076	3/8-16 x 5/8 SQH Set Screw	2	
18	5785-5	42" Gearbox Cover (Includes Item # 17)	1	F136	AN960C416L Washer	16	
<b>Deck Housing Components</b>				F179	1/4-20 x 1 Hex Bolt	4	
19	8670	Tilt-Up Hook	1	F202	10-24 x 5/8 SHC Screw, GR5 SS	4	
20	8490-1	Roller Wheel Axle Bolt	2	F206	#2 x 3/16 Drive Pin	2	
21	9772	Roller Wheel Assembly (2-1/2) (Includes Item # F059)	2	F211	1/4-20 x 7/8 Hex Bolt	12	
22	NS	Deck Serial Number Plate	1	F246	1/4-20 x 1/2 PTHMS	2	
23	5706	Blade Hub & Trash Guard	2	F278	3/8 Split Lock Washer	4	
24	5705-11	Blade, 22" (Upper Mulching)	2	F318	3/8-16 x 3/4 SQH Set Screw	1	
	5705-12	42DML Blade Set W/Hubs (Includes Items # 23-25, F002 & F202)	*	F403	1/4-20 x 1/2 PTHMS, SS	2	
25	5705-10	Blade, 21" (Lower Mulching)	2	F404	5/8-18 Jam Nut	2	
				F517	Washer 3/8 x 1-1/8 x 1/8	4	
				* Service Part Only			
				<b>NOTE:</b> Order Item # 4 to use the splined deck PTO shaft with Model T23, T25i, T30i, D21d, C19, C19i, B19, B23i and B25p.			
				<b>NOTE:</b> Order Item # 5 to use the splined deck PTO shaft with Model S14 and B18.			

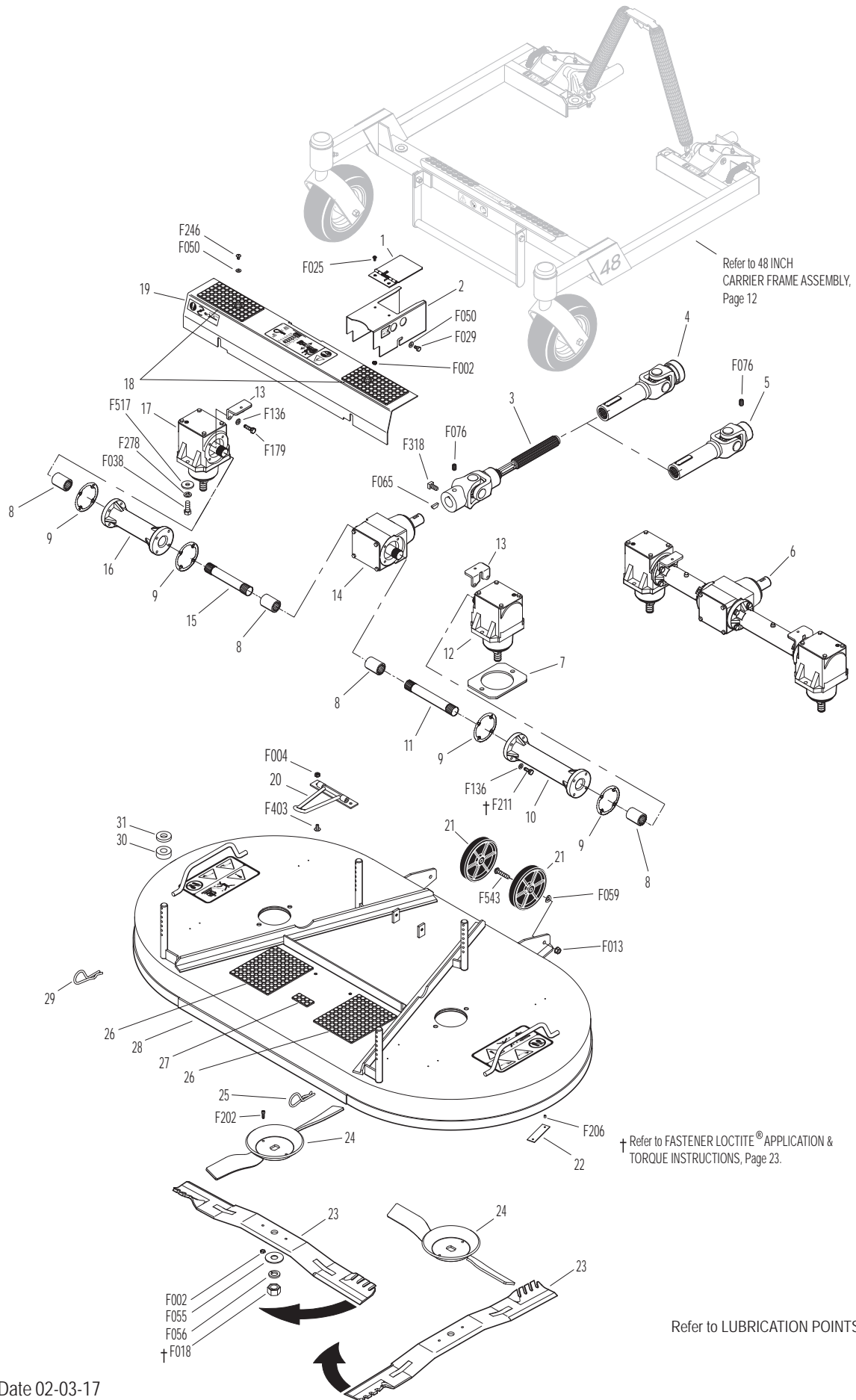
# DM42B DECK ASSEMBLY



# DM48 DECK ASSEMBLY

ITEM NO.	PART NO.	DESCRIPTION	NO. REQ'D	ITEM NO.	PART NO.	DESCRIPTION	NO. REQ'D
<b>Gearbox and Drive Components</b>				28	7702-11	48 DML Deck Housing (Includes Items # 26 & 27)	1
1	8618-1	Cover, PTO Shaft Guard	1	29	7775-2	Hitch Pin, RH (Gold) #6	2
2	8619	PTO Shaft Guard	1	30	7434-1	Washer 1-3/8 x 5/8-1/2 Thick	4
	8618	PTO Shaft Guard Assembly (Includes Items # 1, 2, F002 & F025)	*	31	5727-1	Washer Shim (5/8 ID)	4
3	7285-5	U-Joint Shaft Assembly, Splined (Keyed) (Includes Items # F065, F076 & F318)	1	<b>Fasteners</b>			
4	7275-16	U-Joint Tube Assembly (10" OAL), Spline	1	F002	10-24 Keps Nut		6
5	5275-15	U-Joint Tube Assembly (9.5" OAL), Spline (Includes Item # F076)	1	F004	1/4-20 Keps Nut		2
6	6711-12	HD Gearbox and Tube Assembly (Includes Items # 8-17, F136, F179 & F211)	1	F013	3/8-16 Whiz Locknut		2
7	7600-20	Riser Plate (3/16)	2	F018	5/8-18 Hex Nut		2
8	6054	Spline Coupling	4	F025	10-24 x 3/8 PPHMS		2
9	P007	Gasket, Cap (Peerless #788030)	4	F029	1/4-20 x 1/2 Hex Bolt		2
10	5066	Gearbox Connector Tube (9-5/16)	1	F038	3/8-16 x 1 Hex Bolt		4
11	6733-6	Connecting Shaft (7")	1	F050	1/4 SAE Washer		4
12	5052-13	HD Gearbox (1:1) CCW/CCW	1	F055	5/8 SAE Washer		2
13	5704-1	Gearbox Cover Support	2	F056	5/8 Split Lock Washer		2
14	5051-5	HD Tee Gearbox (1:1) CW-CW & CCW	1	F059	3/8 Wave Spring Washer		2
15	6733-2	Connecting Shaft (4-1/8)	1	F065	3/16 x 3/4 Woodruff Key (#606)		1
16	5061	Gearbox Connector Tube (6-11/16)	1	F076	3/8-16 x 5/8 SQH Set Screw		2
17	5053-3	HD Gearbox (1:1) CW-CCW	1	F136	AN960C416L Washer		16
18	5747-12	Rubber Mat (3 x 6)	2	F179	1/4-20 x 1 Hex Bolt		4
19	7785-3	48" Gearbox Cover (Includes Item # 18)	1	F202	10-24 x 5/8 SHC Screw, GR5 SS		4
<b>Deck Housing Components</b>				F206	#2 x 3/16 Drive Pin		2
20	8670	Tilt-Up Hook	1	F211	1/4-20 x 7/8 Hex Bolt		12
21	5162-12	Roller Wheel (5" Poly) (Includes Items # F013, F059 & F543)	2	F246	1/4-20 x 1/2 PTHMS		2
22	NS	Deck Serial Number Plate	1	F278	3/8 Split Lock Washer		4
23	7705-20	Blade 25", Mulch	2	F318	3/8-16 x 3/4 SQH Set Screw		1
	7705-21	48 DML Blade Set With Hubs (Includes Items # 23, 24, F002 & F202)	*	F403	1/4-20 x 1/2 PTHMS, SS		2
24	5706-6	Mulch Blade Hub	2	F517	Washer 3/8 x 1-1/8 x 1/8		4
25	7775-1	Hitch Pin, LH (Silver) #6	2	F543	3/8-16 x 1-1/2 BH Cap Screw		2
26	8735-10	Rubber Mat (5 x 6)	2	* Service Part Only			
27	8788-1	Rubber Mat (1 x 2)	1	<b>NOTE:</b> Order Item # 4 to use the splined deck PTO shaft with Model T23, T25i, T30i, D21d, C19, C19i, B19, B23i and B25p.			
				<b>NOTE:</b> Order Item # 5 to use the splined deck PTO shaft with Model B18.			

# DM48 DECK ASSEMBLY



Effective Date 02-03-17  
 Use only genuine Walker® replacement parts.

# LUBRICATION POINTS

ITEM NO.	LOCATION	LUBRICATION TYPE	NO. PLACES
----------	----------	------------------	------------

ITEM NO.	LOCATION	LUBRICATION TYPE	NO. PLACES
----------	----------	------------------	------------

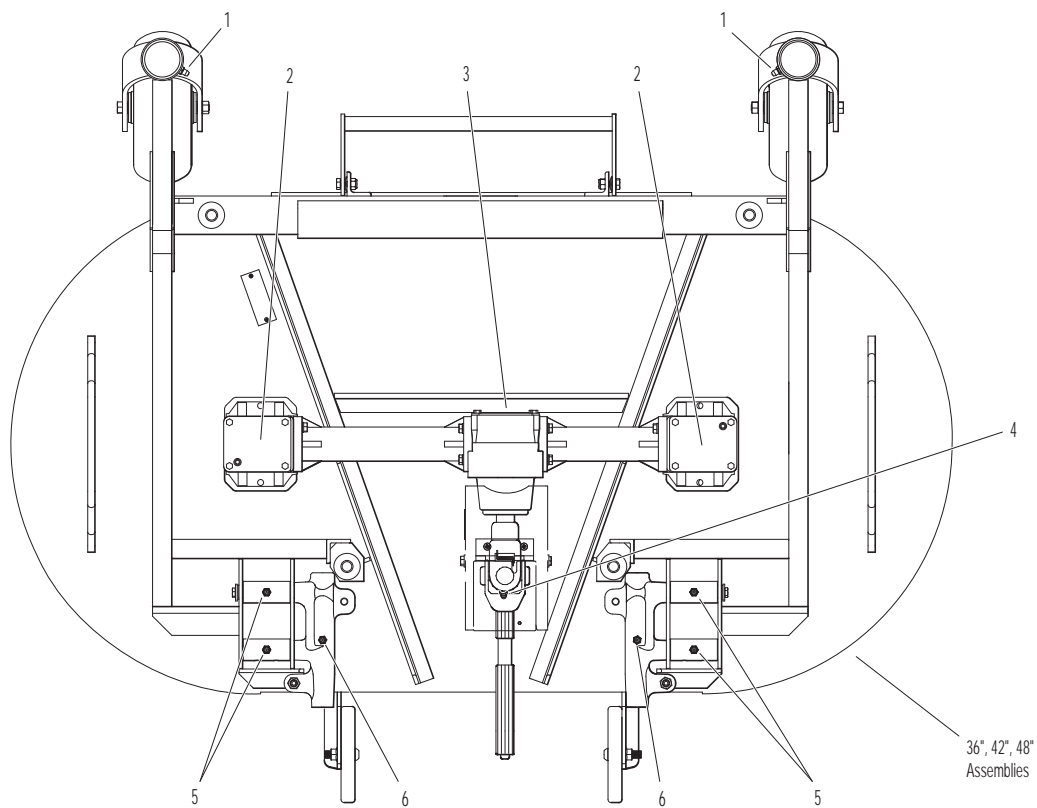
## 36", 42", 48" Assemblies

1	Deck Caster Wheel Fork Pivot	Grease	2
2	Blade Drive Gearbox	Oil*	2
3	Tee Gearbox, Deck	Oil*	1
4	Universal Joint Shaft Assembly	Grease**	1
5	Pivot Assembly, Tilt-Up Deck	Grease	4
6	Deck Support Arm Socket	Grease	2

\* Gearboxes are permanently lubricated and sealed requiring no scheduled lubrication. Oil level should be checked only when an oil leak is noted.

\*\* Grease every 25 hours.

**NOTE:** Exact location of some Lubrication Points may vary slightly from those shown in the illustration. Model DM48 is shown for reference only; for further information on location of parts not shown here, refer to the parts listings for individual Carrier Frames and Deck Assemblies.



# H24d, H25, H27i AND H38i DECK ARM ADAPTER KIT

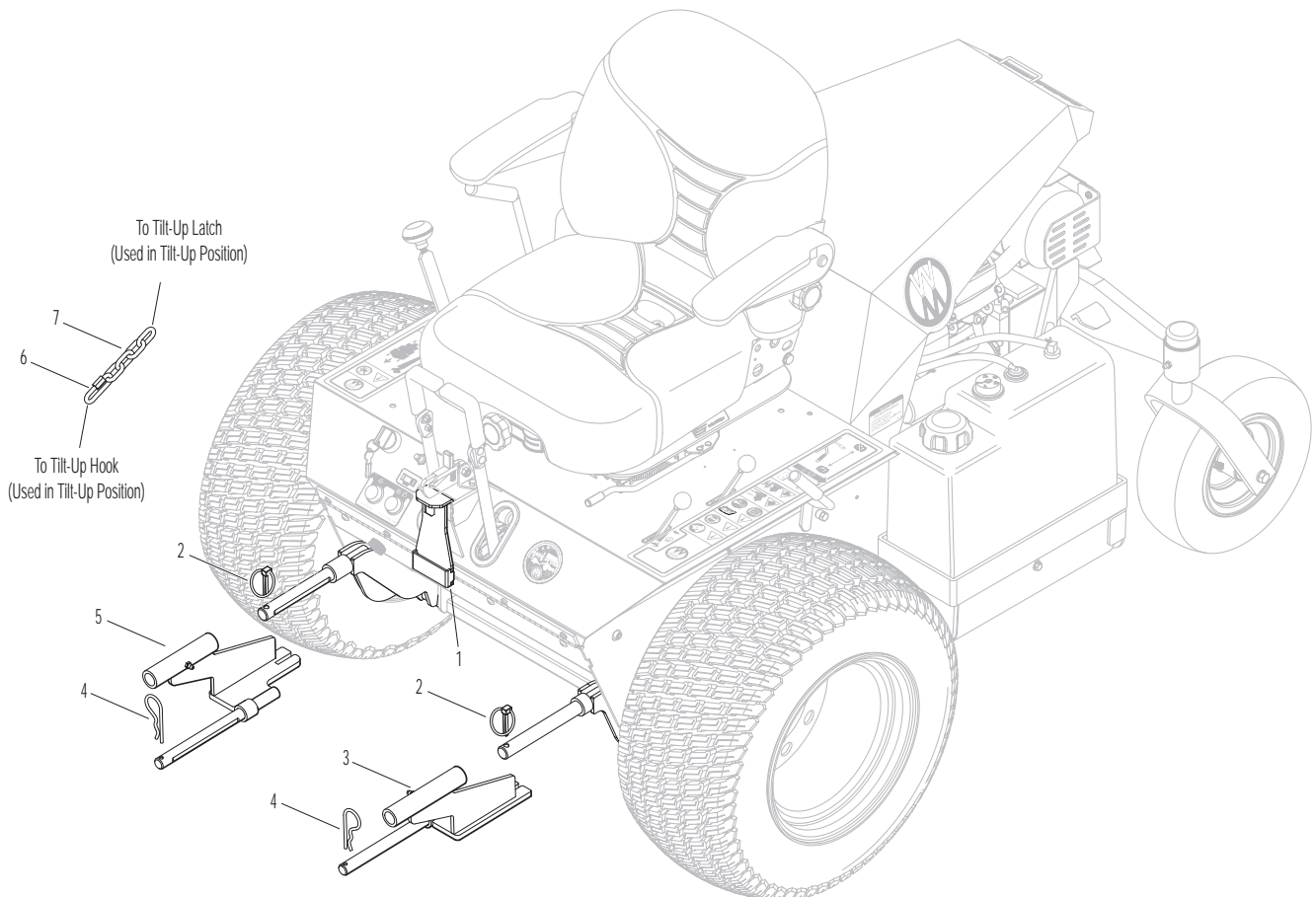
ITEM NO.	PART NO.	DESCRIPTION	NO. REQ'D
----------	----------	-------------	-----------

ITEM NO.	PART NO.	DESCRIPTION	NO. REQ'D
----------	----------	-------------	-----------

**Kit 2430-10 Deck Arm Adapter Kit**  
Includes Items # 1-7 and instructions. May be ordered as a kit for dealer installation. Contact your Walker dealer.

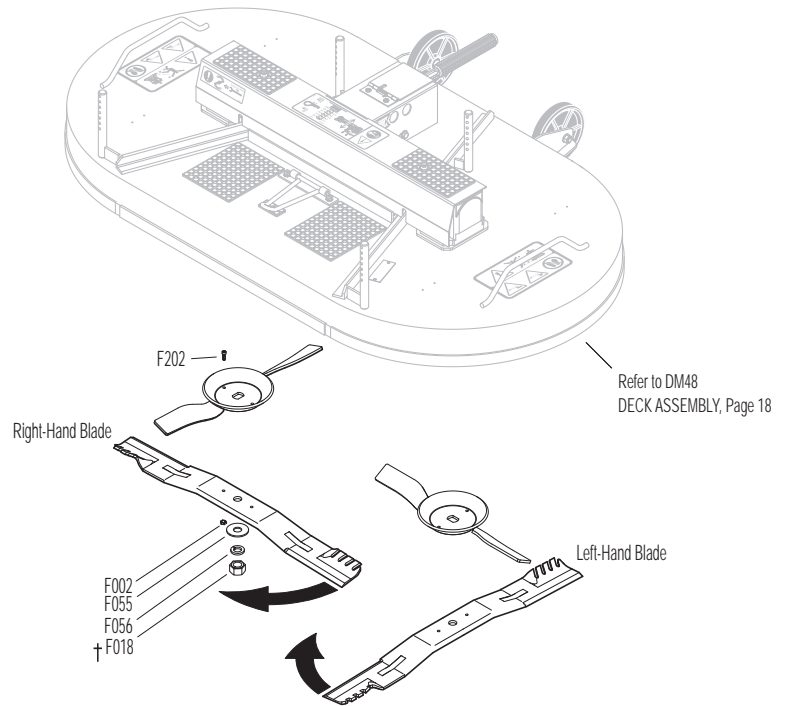
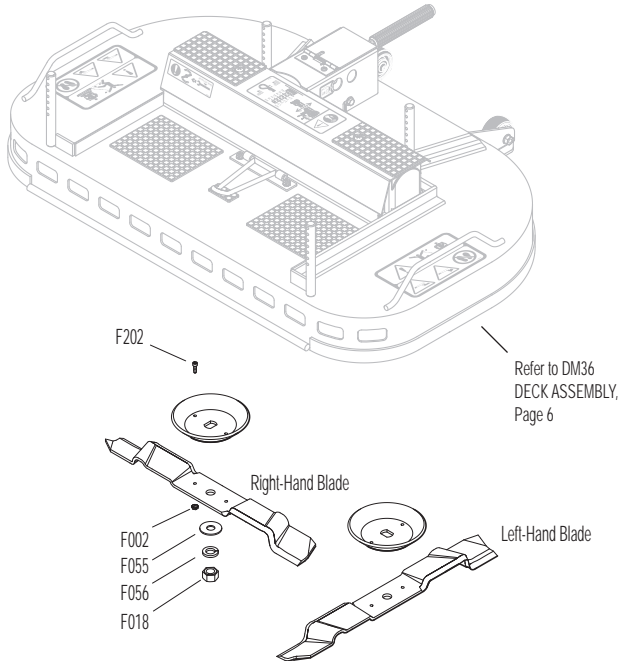
**NOTE:** Installation of 2430-10 on Walker Models H24d, H25, H27i and H38i allows the use of the DM48 deck.

1	2744-2	Counter Weight Spring Extension	1
2	2775	Lynch Pin (5/16 x 1-1/4)	2
3	2431-1	Deck Arm Adapter, LH	1
4	5775-2	Hitch Pin (#6)	2
5	2430-1	Deck Arm Adapter, RH	1
6	2744-4	1/4" Quick Link	1
7	2744-5	Chain	1





# BLADE USAGE CHART



TWO BLADE DECKS	RH BLADE	LH BLADE	BLADE SET
DM36	5705-23	5705-23	
DM42	7705-25	7705-25	5705-27
DM42A	5705-28	5705-28	5705-19
DM42B	5705-11 (Upper Blade) 5705-10 (Lower Blade)	5705-11 (Upper (Blade) 5705-10 (Lower Blade)	5705-12
DM48	7705-20	7705-20	7705-21

Right hand and left hand orientated with operator on seat.

All blade sets include 5706 (Blade Hub & Trash Guard), F002 & F202 unless otherwise specified.



# FASTENER LOCTITE® APPLICATION & TORQUE INSTRUCTIONS

ITEM NO.	DESCRIPTION
----------	-------------

## HD Gear Drive Assemblies DM42, DM42A, DM42B, DM48

- 1 Apply Loctite® Threadlocker # 242 (Blue) to Item # 1 used on HD Gearbox Connector Tubes. Torque to 115 lb-in. (13.0 N·m).

## DM36 Gear Drive Assembly

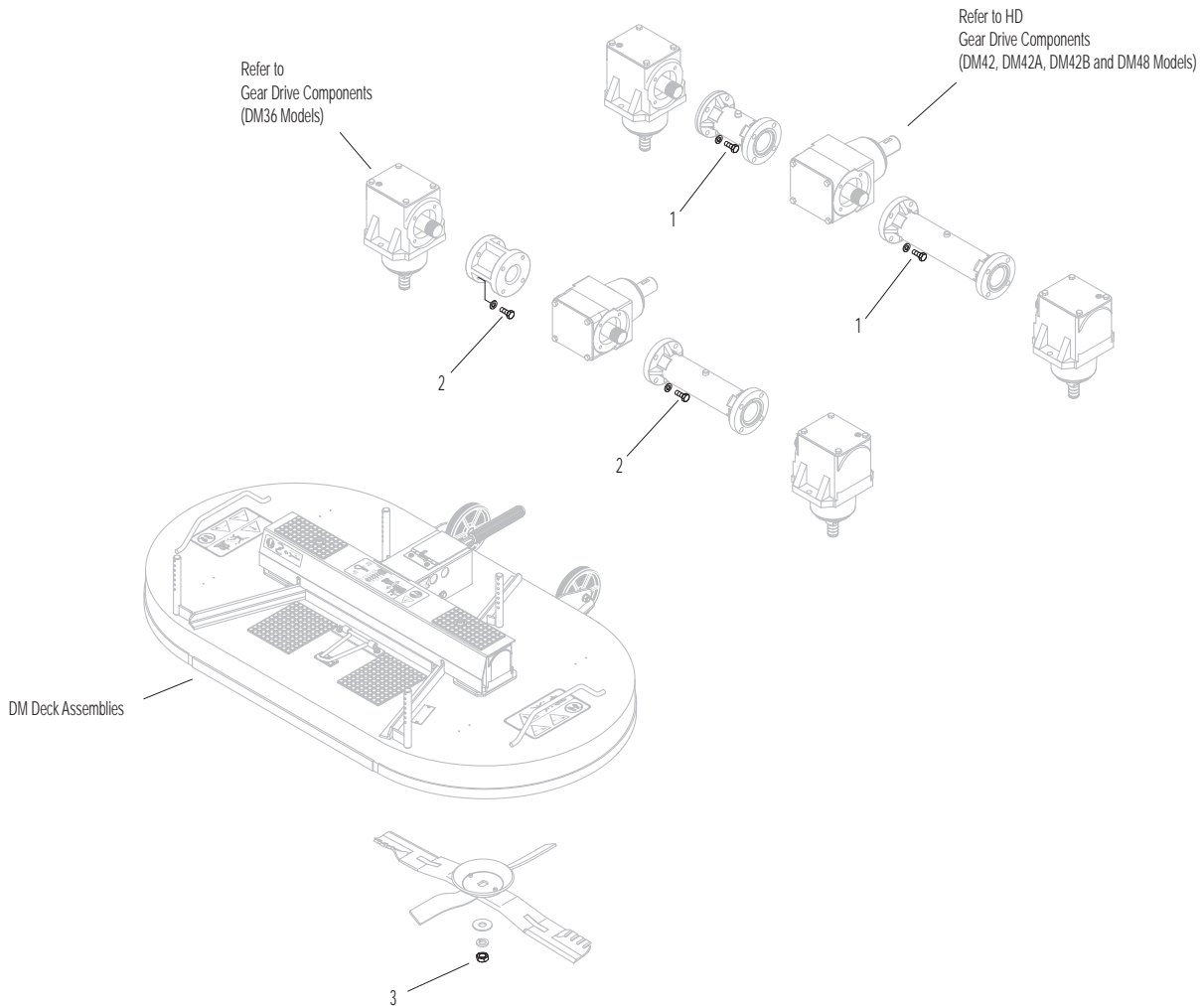
- 2 Apply Loctite® Threadlocker # 242 (Blue) to P/N F211 (1/4-20 x 7/8 Hex Bolt, used on Gearbox Connector Tubes) prior to assembly. Torque to 90 lb-in. (10.2 N·m).

ITEM NO.	DESCRIPTION
----------	-------------

## DM Deck Assemblies

- 3 Torque P/N F018 (5/8-18 Hex Nut) or F404 (5/8-18 Jam Nut, used on underside of blades) to 60 lb-ft (81.4 N·m). **DO NOT** apply Loctite®.

**NOTE:** Model DM48 is shown here. Refer to individual deck assemblies for exact locations and quantities of items listed above.



# MAINTENANCE AND SERVICE RECORD SHEET

DATE	SERVICE ITEM	ENGINE HOURS

## DECK / TRACTOR COMPATIBILITY CHART

	DM36	DM42	DM42A	DM42B	DM48
B18	X	X	X	X	X
B19	X	X	X	X	X
B23i	X	X	X	X	X
B25p	X	X	X	X	X
S14 GHS	*	*	*	*	
C19 GHS	*	*	*	*	*
C19i GHS	*	*	*	*	*
T23 SD	X	X	X	X	X
T23 GHS	*	*	*	*	*
T25i SD	X	X	X	X	X
T25i GHS	*	*	*	*	*
T30i SD	X	X	X	X	X
T30i GHS	*	*	*	*	*
D21d SD	X	X	X	X	X
D21d GHS	*	*	*	*	*
H24d					**
H25					**
H27i					**
H38i					**
	X Deck and tractor are fully compatible. * When using this deck on GHS tractors, installation of P/N 7541 (Blower Lockout Kit) is recommended. Contact your Walker dealer. ** Decks that are compatible with Models H24d, H25, H27i and H38i using Kit # 2430-10 (Deck Arm Adapter Kit).				

## **LIMITED WARRANTY FOR WALKER COMMERCIAL RIDER MOWER**

**1. WHAT THIS WARRANTY COVERS, AND FOR HOW LONG:**

Walker Manufacturing company will, at its option, repair or replace, without charge, any part covered by this warranty which is found to be defective in material and/or workmanship within one (1) year after date of sale to the original retail purchaser unless the product is used for rental purposes, in which case this warranty is limited to ninety (90) days. At Walker's request, customer will make the defective part available for inspection by Walker and/or return the defective part to Walker, transportation charges prepaid. All parts and components of the Walker Mower are covered by this warranty.

**2. WHAT THIS WARRANTY DOES NOT COVER:**

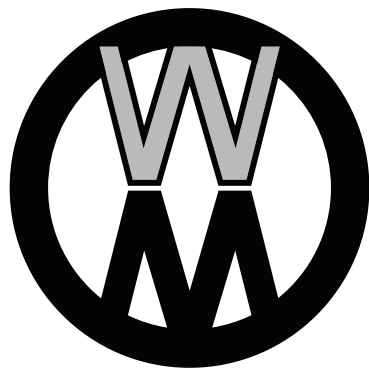
- A. This warranty does not cover defects caused by depreciation or damage caused by normal wear, accidents, improper maintenance, improper use or abuse of the product, alterations, or failure to follow the instructions contained in the Operator's Manual for operation and maintenance.
- B. The customer shall pay any charges for making service calls and/or for transporting the mower to and from the place where the inspection and/or warranty work is performed.

**3. HOW TO OBTAIN SERVICE UNDER THIS WARRANTY:**

Warranty service can be arranged by contacting the dealer where you purchased the mower or by contacting Walker Manufacturing Company, 5925 East Harmony Road, Ft. Collins, CO 80528. Proof of the date of purchase may be required to verify warranty coverage.

**4. WARRANTY LIMITATION:**

- A. **THERE IS NO OTHER EXPRESS WARRANTY. ANY WARRANTY THAT MAY BE IMPLIED FROM THIS PURCHASE INCLUDING MERCHANTABILITY AND FITNESS FOR A PARTICULAR PURPOSE IS HEREBY LIMITED TO THE DURATION OF THIS WARRANTY AND TO THE EXTENT PERMITTED BY LAW ANY AND ALL IMPLIED WARRANTIES ARE EXCLUDED.** Some states do not allow limitations on how long an implied warranty lasts, so the above limitations may not apply to you.
- B. **WALKER WILL NOT BE LIABLE FOR ANY INCIDENTAL, CONSEQUENTIAL, OR SPECIAL DAMAGES AND/OR EXPENSES IN CONNECTION WITH THE PURCHASE OR USE OF THE MOWER.** Some states do not allow the exclusion or limitation of incidental or consequential damages, so the above limitation(s) or exclusion(s) may not apply to you.
- C. Only the warranty expressed in this limited warranty shall apply and no dealer, distributor, or individual is authorized to amend, modify, or extend this warranty in any way. Accordingly, additional statements such as dealer advertising or presentations, whether oral or written, do not constitute warranties by Walker, and should not be relied upon.
- D. This warranty gives you specific legal rights, and you may also have other rights which vary from state to state.



**WALKER**

**WALKER MFG. CO. • 5925 E. HARMONY ROAD, FORT COLLINS, CO 80528 • (970) 221-5614**  
**FORM NO. 062017      PRINTED IN USA      [www.walkermowers.com](http://www.walkermowers.com)      ©2017 WALKER MFG. CO**