



**Operator's
Manual
RB-60
Broadcast
Spreader**

INTRODUCTION

Specifications, descriptions and illustrative material in this literature are as accurate as known at the time of publication, but are subject to change without notice. Illustrations may include optional equipment and accessories, and may not include all standard equipment.



Read and understand all provided literature. Literature contains specifications and information for safety, operation, maintenance, storage, and assembly specific to this product. Scan QR codes for more information.



For additional literature, including safety manuals where applicable, or questions regarding terms used in this manual, visit:

<https://www.echo-usa.com/manuals>

OR

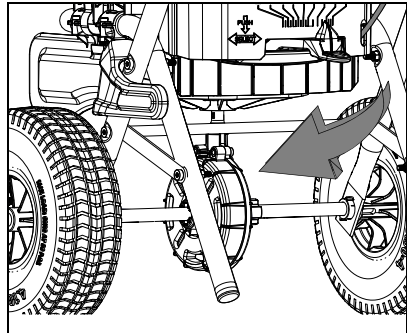


<https://www.shindaiwa-usa.com/manuals>

SERVICING INFORMATION

Parts and Serial Number

Genuine ECHO Parts and Assemblies for your ECHO products are available only from an Authorized ECHO Dealer. When you do need to buy parts always have the Model Number and Serial Number of the unit with you. For future reference write them in the space provided below.



Model No. _____ Serial No. _____

Service

Service of this product during the warranty period must be performed by an Authorized ECHO Service Dealer. For the name and address of the Authorized ECHO Service Dealer nearest you, ask your retailer or call: 1-800-432-ECHO (3246). Dealer information is also available on our Web Site www.echo-usa.com. When presenting your unit for Warranty service/repairs, proof of purchase is required.

ECHO Consumer Product Support

If you require assistance or have questions concerning the application, operation, or maintenance of this product, call the ECHO Consumer Product Support Department at 1-800-432-ECHO (3246) from 8:00 a.m. to 5:00 p.m. (Central Standard Time) Monday through Friday. Before calling, please know the model and serial number of your unit.

Product Registration

Register your ECHO equipment on-line at www.echo-usa.com or by filling out the product registration sheet included in this manual. Registering your product confirms warranty coverage and provides a direct link to ECHO if we find it necessary to contact you.

Additional Literature

In addition to finding information online, information is available from your Authorized ECHO Service Dealer, or by contacting ECHO Incorporated, 400 Oakwood Road, Lake Zurich, IL 60047, 1-800-432-ECHO (3246).

SAFETY

Safety Information **WARNING**

Carefully read these instructions before use. Improper use or failure to follow instructions can result in product failure or injuries. For safe use of this product you must read and follow all instructions before using.

 **WARNING**

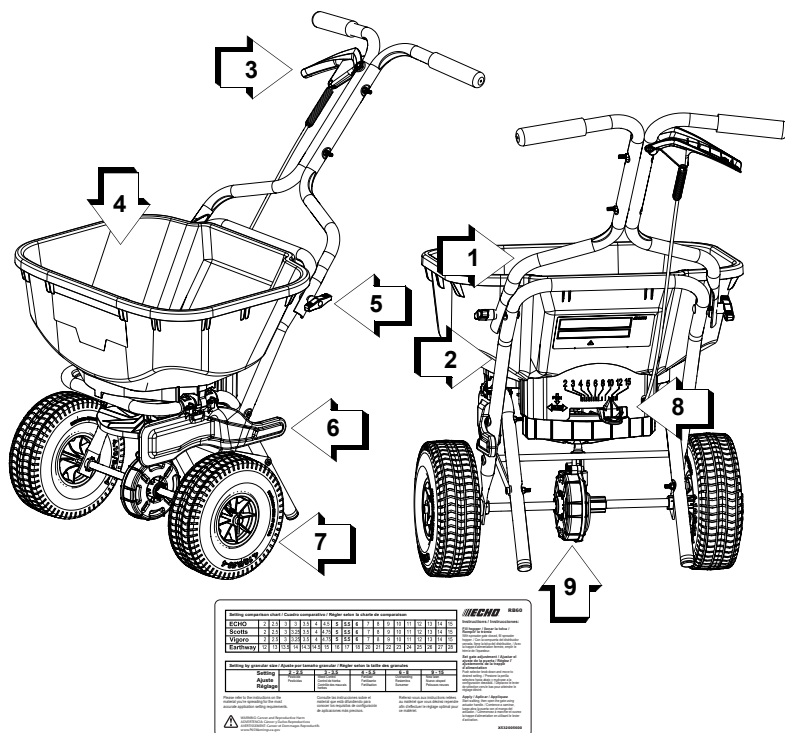
Cancer and Reproductive Harm
www.P65Warnings.ca.gov

 **WARNING**

- ◆ Do not allow anyone to operate the broadcast spreader without proper instructions.
- ◆ Do not permit children to operate the broadcast spreader.
- ◆ Wear all personal protective equipment recommended by chemical manufacturer.
- ◆ Read and follow the chemical label instructions and warnings for handling and applying the chemicals you plan to spread – application settings provided are only a guideline.

DESCRIPTION

Locate the safety decal(s) on your unit. Make sure the decal(s) is legible and that you understand and follow the instructions on it. If a decal cannot be read, a new one can be ordered from your dealer. The safety decal is for example only. Your label may appear slightly different.



- 1 Top Handle Bracket
- 2 Bottom Handle Bracket
- 3 Actuator Handle
- 4 Hopper
- 5 Handle Assembly Wing Nut
- 6 Side Deflector
- 7 Wheels
- 8 Gate Adjuster
- 9 Gear Case

CONTENTS

The product you purchased has been partially factory pre-assembled for your convenience. Due to packaging restrictions, some assembly may be necessary.

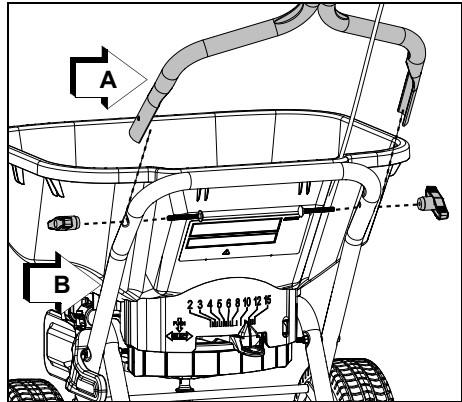
After opening the carton, check for damage. Immediately notify your retailer or Dealer of damaged or missing parts. Use the contents list to check for missing parts.

- 1 Broadcast Spreader Assembly
- 2 Carriage Bolts
- 2 Wing Nuts
- 1 Quick Start Guide

ASSEMBLY

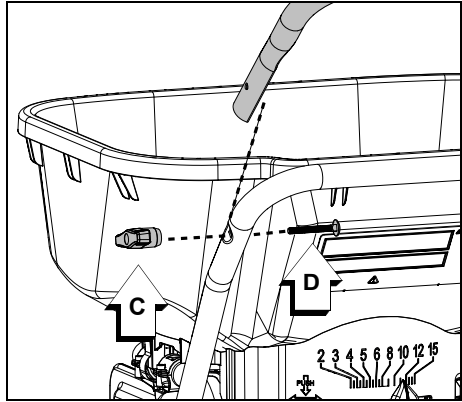
Install Handle Brackets

1. Align holes in top handle bracket (A) with holes in bottom handle bracket (B).



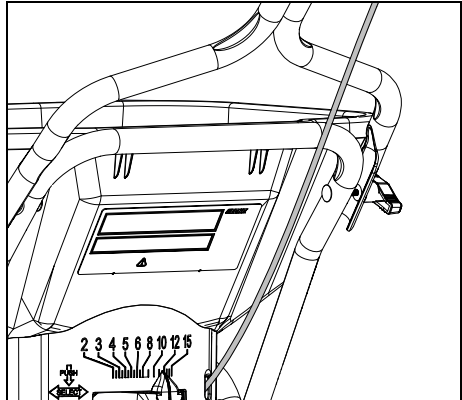
- Secure handle brackets with wing nuts (C) and carriage bolts (D) on each side.

Note: Attach each side loosely before tightening brackets securely.



NOTICE

Assure control cable is routed behind handle brackets.



Check Tire Pressure

NOTICE

Tires should be inflated to 15 psi. Assure tire pressure does not exceed 30 psi.

OPERATION

Application Instructions

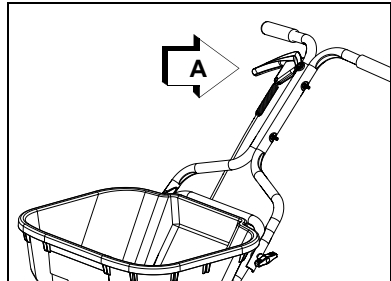
⚠ CAUTION

TIP HAZARD. Unit can tip on uneven ground. Always fill hopper on flat ground, and keep bystanders away. Otherwise personal injury can result.

1. Fill Hopper

Release actuator handle (A) to close gate. Fill hopper.

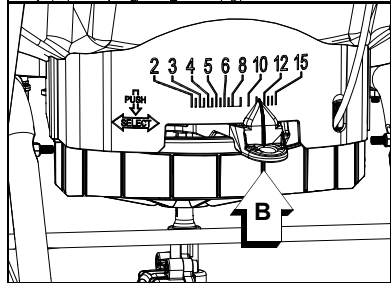
Note: Fill hopper in an area that won't be damaged by spilled product.



2. Set Gate Adjustment

Push gate adjuster (B) down and move to best application setting (see chart below). Pull adjuster upward to lock in place.

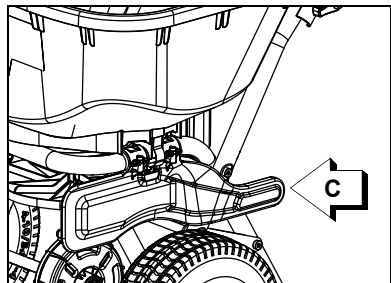
Note: Gate adjustment settings should only be used as a general guideline for application. Refer to instructions on material you are spreading for most accurate application setting requirements.



3. Application

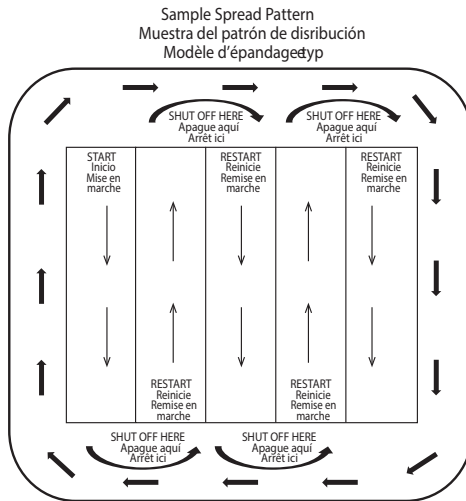
A. Lower edge guard (C) and make perimeter pass to protect non-lawn areas. Pull actuator handle to open gate while spreading.

B. Raise edge guard. Make parallel internal passes to ensure even coverage.



Setting comparison chart / Cuadro comparativo / Régler selon la charte de comparaison																			
ECHO	2	2.5	3	3	3.5	4	4.5	5	5.5	6	7	8	9	10	11	12	13	14	15
Scotts	2	2.5	3	3.25	3.5	4	4.75	5	5.5	6	7	8	9	10	11	12	13	14	15
Vigoro	2	2.5	3	3.25	3.5	4	4.75	5	5.5	6	7	8	9	10	11	12	13	14	15
Earthway	12	13	13.5	14	14.3	14.5	15	16	17	18	20	21	22	23	24	25	26	27	28

Setting by granular size / Ajuste por tamaño granular / Régler selon la taille des granules					
Setting Ajuste Réglage	2 - 2.5	3 - 3.5	4 - 5.5	6 - 8	9 - 15
	Pesticide Pesticidas	Weed Control Control de hierba Contrôle des mauvaises herbes	Fertilizer Fertilizante Fertilisation	Overseeding Reasembra Sursémer	New lawn Nuevo césped Pelouses neuves



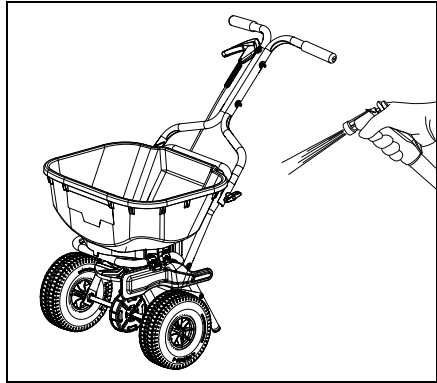
MAINTENANCE

Clean Spreader

NOTICE

Avoid spraying gear case directly, and do not use a pressure washer on spreader.

1. Wash spreader with a garden hose after each use.



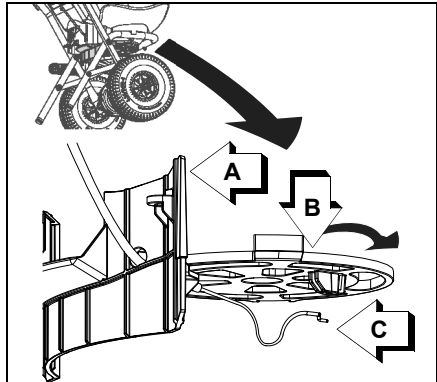
Check Tire Pressure

NOTICE

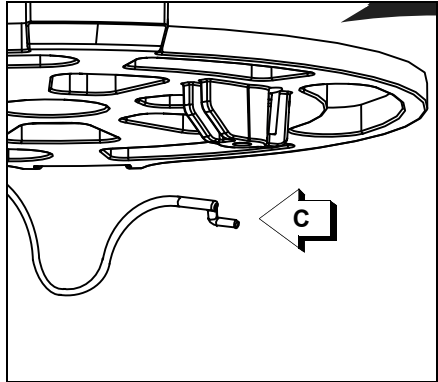
Tires should be inflated to 15 psi. Assure tire pressure does not exceed 30 psi.

Replacing Control Cable

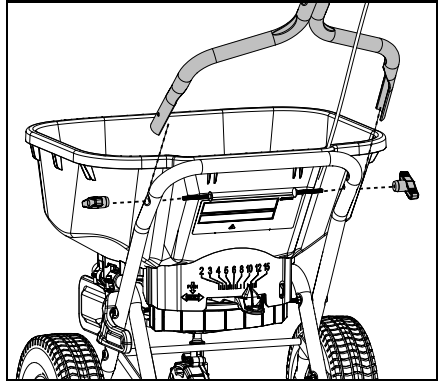
1. Remove Shield (A).
2. Turn gate (B) clockwise to relieve tension on cable.



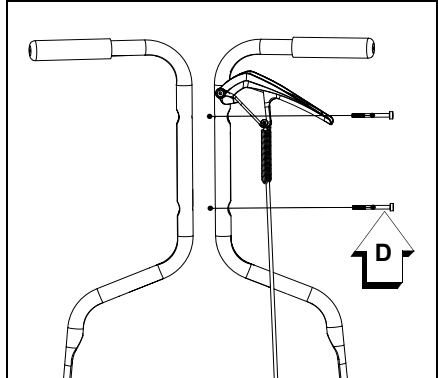
- 3. Remove cable S hook (C) from gate.



- 4. Remove upper handle bracket from lower handle bracket.

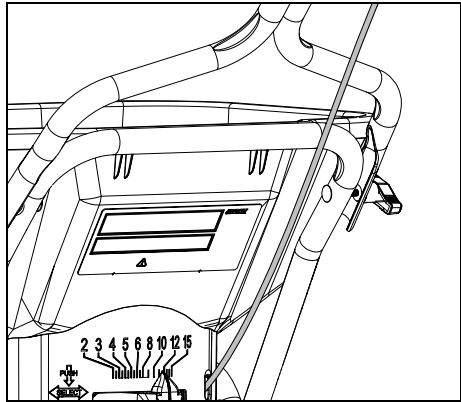


- 5. Remove bolts (D) and separate handle halves.
- 6. Install new handle half with control cable assembly.
- 7. Re assemble spreader components.



NOTICE

Assure control cable is routed behind handle brackets.



SPECIFICATIONS

MODEL	RB-60
Length	959 mm (37.75 in.)
Width	584 mm (23 in.)
Height	794 mm (31.25 in.)
Weight	10.2 kg (22.4 lb.)
Capacity	
Weight	27.2 kg (60lb.)
Volume	36.8 L (1.3 ft ³)
Loading Height	584 mm (23 in.)
Wheels and Tires	
Tire Diameter	254 mm (10in.)
Tire Type	Pneumatic
Recommended Pressure	103.4 kPa (15 psi)

PRODUCT REGISTRATION

Thank you for choosing ECHO Power Equipment

Please go to <http://www.echo-usa.com/Warranty/Register-Your-ECHO> to register your new product on-line. It's **FAST** and **EASY!** NOTE: your information will never be sold or misused by ECHO, Incorporated. Registering your purchase enables us to contact you in the unlikely event of a service update or product recall, and verifies your ownership for warranty consideration.

If you do not have access to the Internet, you can complete the form below and mail to:

***ECHO Incorporated, Product Registration, PO Box 1139,
Lake Zurich, IL 60047.***

ECHO PRODUCT REGISTRATION CARD : TARJETA DE REGISTRO : CARTE D'ENREGISTREMENT DU PRODUIT

<p>ONLINE OPTION: Register online and save a stamp! You will be alerted of product updates and/or be sent new ECHO product information and special offers. Simply go to: www.echo-usa.com</p>	<p>OPCIÓN POR INTERNET: Regístrese en la página web y ahorre una estampilla. Le alertarán sobre actualizaciones del producto y/o se le enviarán ofertas especiales. Simplemente visite: www.echo-usa.com</p>
<p>OPTIÒN EN LIGNE: Enregistrer en ligne et épargner un timbre! Vous serez informé sur les nouveaux produits ECHO et les mises à jour de produit ainsi que les offres spéciales. Simplement visitez le: www.echo-usa.com</p>	

Please Print : Por Favor Escribe Con Letra De Molde : En Lettre Carré S.V.P. Confidential: Information provided will not be shared or sold

Purchaser's Name : Nombre del Comprador : Nom de l'acheteur	
Address : Dirección : Adresse	Primary use of tool: <input type="checkbox"/> Professional <input type="checkbox"/> Homeowner <input type="checkbox"/> Rental Equip. Uso primario de la herramienta: <input type="checkbox"/> Profesional <input type="checkbox"/> Dueño de casa <input type="checkbox"/> Alquiler
City : Ciudad : Ville	State : Estado : Province
E-Mail Address : Dirección De Correo Electrónico : Courriel Electronique	Zip Code : Código Postal : Code Postal
Phone Number : Número De Teléfono : Téléphone	Date of Purchase : Fecha de la Compra : Date de l'achat
Where Purchased : Nombre del Almacén donde fue Comprado : Lieu d'achat	Do you wish to receive periodic ECHO product information and special offers by e-mail? <input type="checkbox"/> Yes <input type="checkbox"/> No ¿Desea usted recibir información periódica y ofertas especiales por correo electrónico sobre el producto ECHO? <input type="checkbox"/> Yes <input type="checkbox"/> No
Model Number : Numero del Modelo : No. de modèle	Serial Number : Numero de Serie : No. de série

Registering your purchase enables us to contact you in the unlikely event of a service update or product recall and verifies your purchase. We will never share your information with anyone outside of ECHO. We will contact you if you are eligible for a special offer or service. The registration of your purchase is not a warranty. We will contact you if you are eligible for a special offer or service. L'enregistrement de votre achat nous permettra de vous contacter dans le cas improbable de modifications des instructions d'entretien ou de rappel du produit et vérifier que vous êtes le propriétaire en cas de vol ou de perte.

ECHO INC., 400 Oakwood Rd., Lake Zurich, IL 60047
 1.800.432.ECHO WWW.ECHO-USA.COM X7572270206 02-2012



N2900001001 - N29000999999



ECHO INCORPORATED

400 Oakwood Road
Lake Zurich, IL 60047

www.echo-usa.com