



BC26 MECHANICAL DRIVE Owner's Manual



BC2600 Mechanical Drive Series Brush Cutter Owner's Manual

Beginning Serial #: 040616001

Original Instructions

IMPORTANT- READ CAREFULLY BEFORE USE AND KEEP FOR FUTURE REFERENCE



BC26 MECHANICAL DRIVE Owner's Manual

CONTENTS

SPECIFICATIONS AND SAFETY	3
INSTRUCTION LABELS	4
ASSEMBLY INSTRUCTIONS	5-6
OPERATION	7-8
MAINTENANCE AND BATTERY MAINTENANCE	9-12
TROUBLESHOOTING	13
ILLUSTRATED PARTS LIST	14-21

NOT FOR REPRODUCTION



BC26 MECHANICAL DRIVE Owner's Manual

BC 2600 SERIES SPECIFICATIONS

	BC2600ICM	BC2600HM	BC2600HMF(T)
Engine Type	Briggs and Stratton	Honda GXV390	Honda GXV390
Model Number	21R7720074F1	GXV390UT2DABG	GXV390UT2DABG
Displacement	344 cc	390 cc	390 cc
Fuel Capacity	3.0 qt (2.80 L)	3.0 qt (2.80 L)	3.0 qt (2.80 L)
Oil Capacity	1.5 qt (1.4L)	1.2 qt (1.1L)	1.2 qt (1.1L)
Unit Weight	316 lb (147.4 kg)	316 lb (147.4 kg)	326 lb (147.4 kg)
Overall Length	72 in (1.83 m)	72 in (1.83 m)	72 in (1.83 m)
Overall Width	31 in (0.78 m)	31 in (0.78 m)	31 in (0.78 m)
Overall Height	48 in (1.21 m)	48 in (1.21 m)	48 in (1.21 m)
Maximum Operating Slope	15°	20°	20°

SAFETY



WARNING



This product can expose you to chemicals including gasoline engine exhaust, which is known to the State of California to cause cancer, and carbon monoxide, which is known to the State of California to cause birth defects or other reproductive harm. For more information go to www.P65Warnings.ca.gov.

Read the safety rules and follow them closely. Failure to obey these rules could result in loss of control of the unit, severe personal injury or death to you, or bystanders, or damage to property or equipment.



BC26 MECHANICAL DRIVE Owner's Manual

INSTRUCTION LABELS

The labels shown below were installed on your BILLY GOAT® Mechanical Drive Brush Cutter. If any labels are damaged or missing, replace them before operating this equipment. Item numbers from the Illustrated Parts List and part numbers are provided for convenience in ordering replacement labels. The correct position for each label may be determined by referring to the Figure and Item numbers shown.

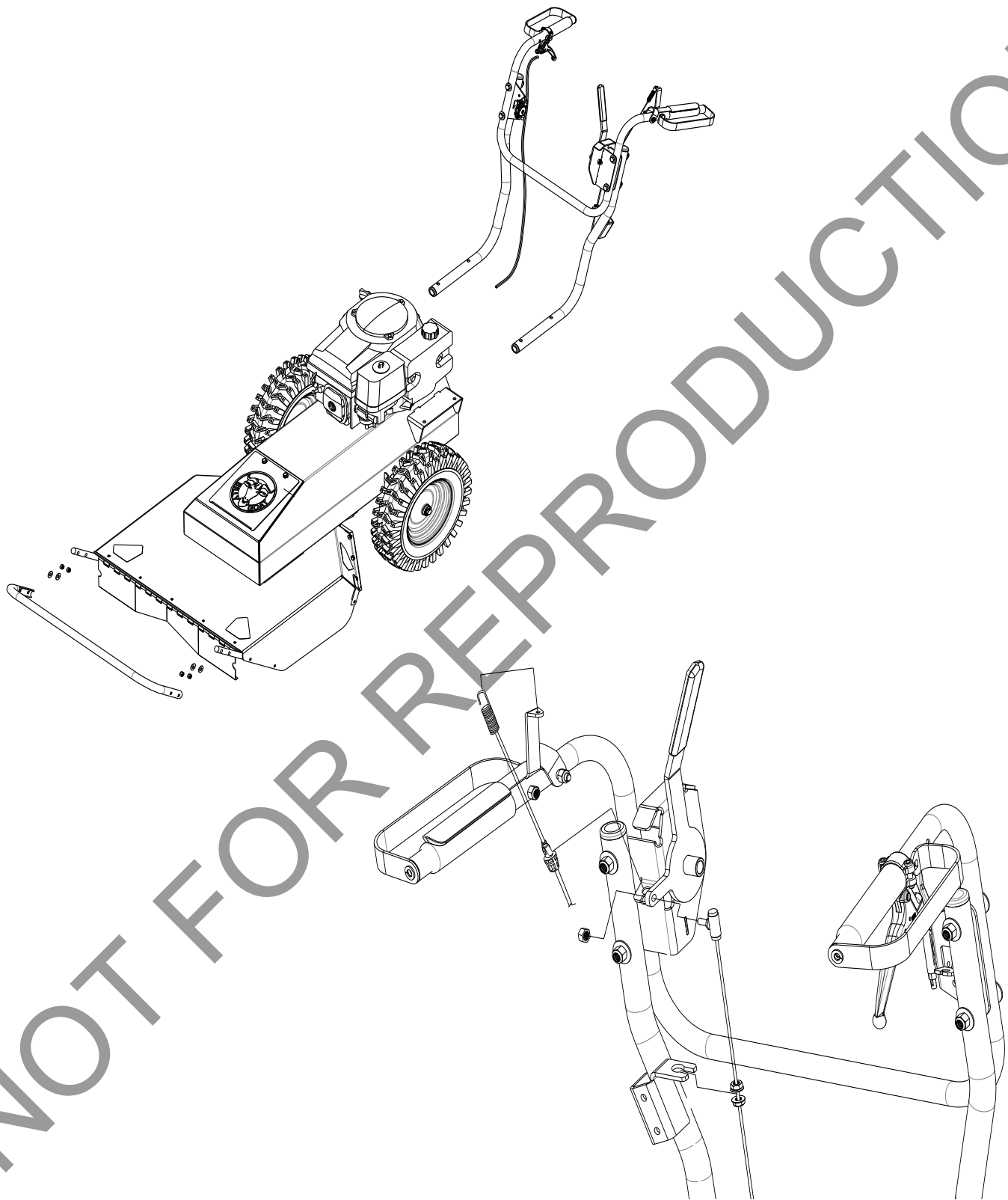
<p>PN 100261 (Item 88)</p>	<p>PN 100346 (Item 68)</p>	<p>PN 501503 (Item 74)</p>	<p>PN 400424 (Item 53)</p>
<p>PN 810736 (Item 76)</p>	<p>PN 100256 (Item 123)</p>	<p>PN 900327 (Item 122)</p>	<p>PN 500177 (Item 86)</p>
<p>PN 500168 (Item 72)</p>			

ENGINE LABELS

<p>Honda</p>	<p>Briggs and Stratton</p>	



BC26 MECHANICAL DRIVE Owner's Manual



Brush Cutter Assembly Drawing



BC26 MECHANICAL DRIVE Owner's Manual

PACKING CHECKLIST

Your BILLY GOAT® BC Self-Propelled Mechanical Drive Brush Cutter was shipped in one carton, completely assembled except for the upper handle assembly and the front guard bar. Mounting hardware for the handle and guard bar is temporarily installed on the lower handle and the front of the deck assembly. The throttle cable hardware is located on the bracket on the right side of the handle



READ all safety instructions before assembling unit.

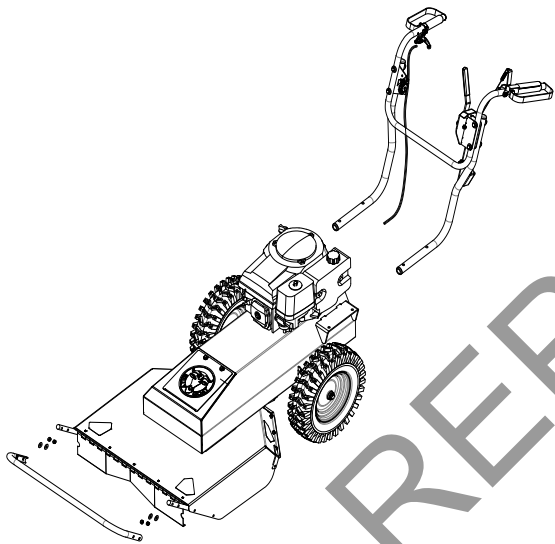


WARNING:

DISCONNECT spark plug wire before assembling unit.

PARTS BAG & LITERATURE ASSY

Warranty Card- P/N 400972, Owner's Manual- P/N 501513, General Safety and Warnings Manual- P/N 100296, Declaration of conformity P/N 501506



Boxing Parts Checklist

- Owner's Manual P/N 501513
- Upper Handle Assembly, P/N 501010
- Guard Bar, P/N 501403
- Ty-Wraps (4 ea)
- Screwcap 3/8" – 16 X 2" P/N 8041054 (qty 4)
- Washer 3/8" flat P/N 8171004 (qty 4)
- Nut Lock 3/8"-16 P/N 8160003 (qty 4)
- Nut lock #10-24 hex P/N 8164005 (qty 2)
- Screw machine flat HD Phil P/N 830514 (qty 2)
- Washer 5/16" flat P/N 8171003 (qty 4)
- Bolt carriage 5/16"-18 x 1 3/4" P/N 8024043 (qty 4)
- Nut Lock 5/18"-18 hex ZP P/N 8160002 (qty 4)

Engine Manual Per Model

- Honda
- Briggs

ASSEMBLY

NOTE: Items in () can be referenced in the Parts Illustrations and Parts Lists on pages 14-21.

1. Remove unit from carton and check the contents of the parts bag with the list above.
2. Remove mounting hardware from the hardware bag.
3. Attach the handle to the engine base with the items 62, 97, and 119.
4. Tighten mounting hardware on handle braces (items 5 and 6).
5. Attach guard bar (item 16) to Skid bar by installing the side bolts into the top two holes on the skids with items 103, 104 and 116.
6. Attach the throttle (30) to the right hand bracket (item 27) using the hardware (items 63 and 64). Tighten securely and make sure the cable isn't binding.
7. Attach the Blade drive cable to the lever and seat the plastic insert into the bracket on the left side of the handle.
8. Secure the drive and blade cables with the ty-wraps provided.
9. Place the shifter cable (item 41) into the bracket on the lower handle (item 14) with the nuts on both sides of the bracket.
10. Then attach the upper part of the cable to the shifter lever (item 21) using the nut located on the end of it and tighten securely. Then tighten the two nuts on the bracket where it was seated in step 9. Check to make sure the lever has full travel. If the lever does not have full travel loosen the nuts and either raise or lower them on the barrel to provide the proper travel for the lever. *NOTE:* Putting too much tension on the cable can cause excess wear on the cable and lead to failure. Likewise, if the cable is loose it will result in poor shifting.
11. Reconnect spark plug wire.

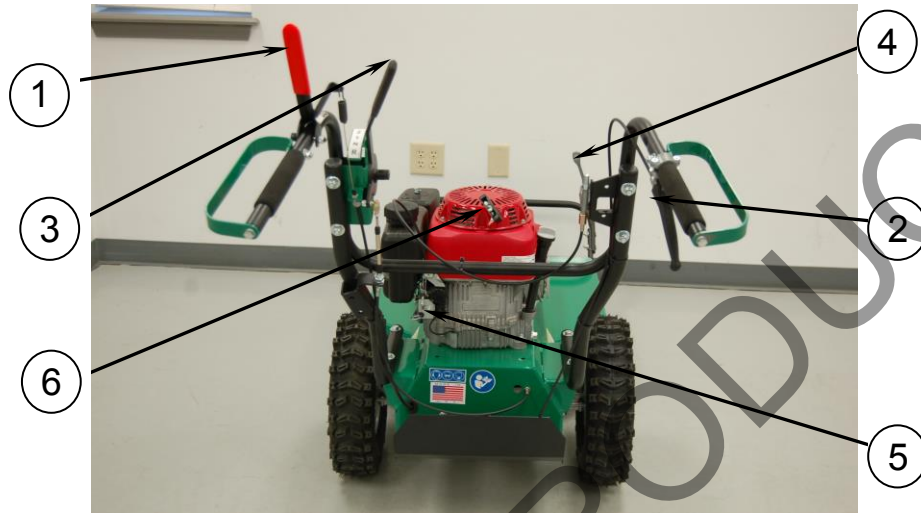


BC26 MECHANICAL DRIVE Owner's Manual

OPERATION

OPERATOR CONTROLS

The operator's station is at the rear of the machine between the handlebars. The operator should STAND in a position to allow both handlebars to be grasped firmly and which allows sufficient leverage to steer the machine. Operator's controls are shown below.



Operator Control Locations

- | | | | |
|---|-------------------------|---|--------------|
| 1 | Blade Clutch Lever | 5 | Choke |
| 2 | Forward Lever | 6 | Pull Starter |
| 3 | Speed/direction shifter | | |
| 4 | Throttle | | |

STARTING ENGINE



CHECK engine oil level before operating machine.



WARNING: DO NOT START equipment with drive or blade clutch engaged.

1. Place equipment on a level, firm surface that is free of rocks or other debris.
2. Place throttle in "fast" position. (See Fig. 1)
3. Pull choke out (See Fig. 2, Honda engine only).
4. Pull starter rope to start engine. (See Fig. 3) **NOTE:** PULL STARTER CORD slowly until resistance is felt. Then pull cord rapidly to avoid kickback.
5. Push choke in (Honda engine only).
6. Pull throttle control back to and allow engine to reach correct operating speed.



Fig. 1



Fig. 2

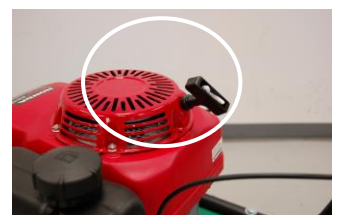


Fig. 3




BC26 MECHANICAL DRIVE Owner's Manual



CUTTING OPERATION

1. Select the desired direction and speed. (See Fig. 4)
2. Press blade clutch handle down (See Fig. 5) to engage blade. Allow blade to spin up to normal operating speed.
3. Pull Up on the drive lever (See Fig. 6) to engage the transaxle in the desired direction.

CLEARING A CLOGGED DECK

 **WARNING:** **DISCONNECT** spark plug wire before servicing unit.

1. Shut engine off and wait for blade to stop completely.
2. Disconnect spark plug wire.
3. Remove clog from cutting deck.

  **WEAR** durable gloves. Clog may contain sharp materials.

4. Reconnect spark plug wire.

SHUT DOWN

1. Release drive lever (Fig. 6) to disengage transaxle.
2. Release blade clutch handle (Fig. 5) to disengage blade.
3. Move the throttle to the slowest possible position on the throttle control.

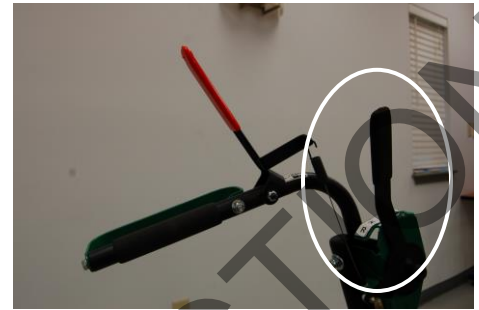


Fig. 4 Left Handle

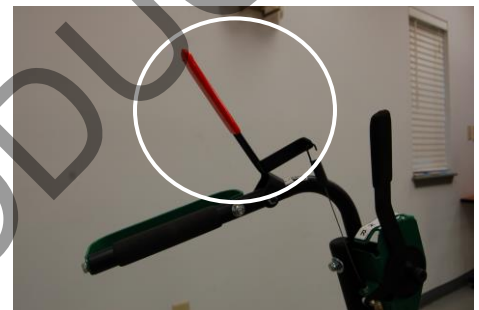


Fig. 5 Left Handle

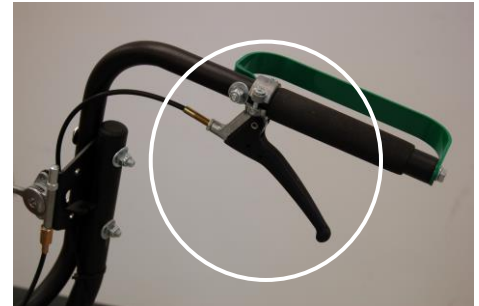


Fig. 6 Right Handle

*****TIPS*****

The best performance is achieved when cutting in dry conditions. The quality of the cut is directly related to ground speed during cutting. Under most conditions cutting should be done at a slower ground speed. Fast speeds should be reserved for conditions where weeds and brush are thinned out or not very tall. If the quality of the cut is not satisfactory, attempt at slower speeds.



BC26 MECHANICAL DRIVE Owner's Manual

MAINTENANCE

PERIODIC MAINTENANCE

Periodic maintenance should be performed at the following intervals:

Maintenance Operation	Every Use	Daily or Every 5 Hours	Every 25 Hours	Every 50 Hours	Every 100-150 Hours
Inspect for worn or damaged parts.	•				
Check for excessive vibration		•			
Inspect for loose parts.		•			
Sharpen blade. Note: the nut will need to be replaced when blade is removed			•		
Inspect belts for wear.			•		
Lubricate throttle control cable and linkage.			•		
Check blade clutch cable tension.				•	
Apply anti-seize compound to rear axles.				•	
Replace blade drive and transaxle drive belts.					•

COMMON REPLACEMENT PARTS

- Blade. P/N 501224. Original equipment replacement blade.
- Transaxle Drive Belt. P/N 501221. Original equipment replacement drive belt.
- Blade Drive Belt. P/N 501220. Original equipment replacement drive belt.
- Skid. P/N 501407. Side deck skid.
- Throttle Control Assembly. Throttle control including cable.

CLEANING

Your BILLY GOAT® Brush Cutter should be cleaned periodically to ensure optimum performance and service life. Clogs and debris should be removed from the blade area and debris should be removed from the engine cooling fins. A garden hose or pressure washer may be used for cleaning.



CAUTION:



DO NOT SPRAY WATER DIRECTLY ON THE BLADE CLUTCH WHEN USING A POWER WASHER. SEE FIG. 7.

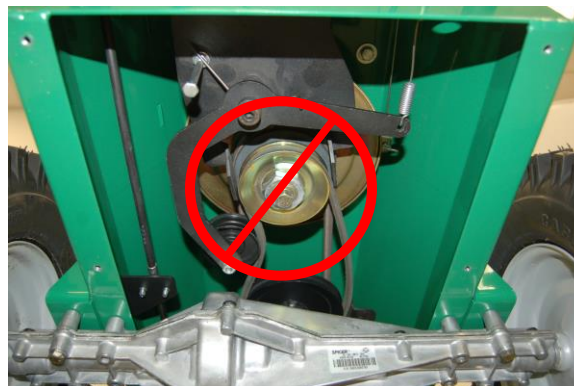


Fig. 7



BC26 MECHANICAL DRIVE Owner's Manual

NOTE: Items in () can be referenced in the Parts Illustrations and Parts Lists on pages 14-21.

BLADE SHARPENING AND REMOVAL (See pages 14 and 15 for Parts Illustration and Parts List)



READ all safety instructions before servicing unit.



WARNING:

DISCONNECT spark plug wire before servicing unit.

1. Disconnect spark plug wire.
2. Lift and support front of unit to allow access to underside.



WARNING:

UNIT IS HEAVY. Make sure support is adequate to support weight of machine.

3. Block blade to prevent it from rotating during removal. When replacing the blade use BILLY GOAT Industries PN 501224 only. NOTE: When sharpening blade make sure to sharpen all cutting edges. If the lock nut is removed and replaced more than once, it should be replaced with a new lock nut (P/N 8160009).
4. Remove blade bolt (item 37), and friction washer (item 35).
5. Remove blade (item 45) and install replacement blade.
6. Attach new blade with new blade lock bolt (item 37), and new friction washer (item 35) removed earlier included with your new blade. NOTE: Inspect fasteners for wear and replace if necessary.
7. Torque blade lock nut to 40 ft-lbs.
8. Reconnect spark plug wire.

BLADE DRIVE AND TENSION (See pages 14 and 15 for Parts Illustration and Parts List)

NOTE: The blade drive belt is under constant tension by the idler arm on the deck



WARNING:

DISCONNECT spark plug wire before servicing unit.

1. Disconnect spark plug wire.
2. Loosen two screws (item 75) holding belt deck cover (item 29) and remove the cover.
3. Examine condition of belt and amount of tension on belt.
4. If the idler is not providing enough tension inspect the spring (item 58) attaching it to the spindle base. If not enough tension is being put on the arm, replace the spring.
5. Replace engine base door (item 29) and secure with screws removed earlier.
6. Reconnect spark plug wire.
7. Check belt tension by operating unit under conditions that caused belt slippage. If belt continues to slip it may require replacement before operation may continue.

BLADE CLUTCH ADJUSTMENT (See pages 16 and 17 for Parts Illustration and Parts List)



WARNING:

DISCONNECT spark plug wire before servicing unit.

1. Disconnect spark plug wire.
2. As the clutch/brake wears or begins slipping or squealing, adjustment may be required to maintain proper cable tension and clutch engagement. A properly adjusted blade clutch should require 10 lbs. of force to depress the end of the clutch lever. The blade clutch cable spring should stretch 1/4" to 3/8" (6.4-9.5 mm).
3. Adjust cable tension by tightening or loosening cable adjustment nut on rear of engine base (see Fig. 8). Be sure to leave enough slack in cable to allow blade brake to engage.
4. Reconnect spark plug wire.

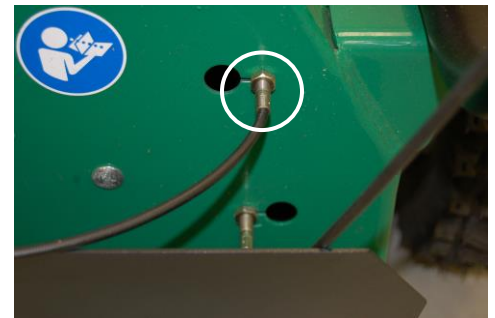


Fig. 8



CAUTION:

If clutch continues to slip or squeal, do not operate equipment until adequate adjustment or repair has been performed. Improper adjustment can cause clutch to overheat and slip, greatly reducing performance and clutch life.



BC26 MECHANICAL DRIVE Owner's Manual

NOTE: See Fig 11 for proper belt routing.

TRANSAXLE DRIVE BELT REMOVAL AND REPLACEMENT (See pages 20 and 21 for Parts Illustration and Parts List)



WARNING: DISCONNECT spark plug wire before servicing unit.

1. Disconnect spark plug wire.
2. Lift and support the rear of the unit to allow access to the underside
3. Unattach the spring (item 43) from the bolt (item 107) that is keeping tension on the drive belt. (See Fig. 9)
4. Walk the belt (item 22) off of the clutch (item 3) by slowly pulling the engine over. **WARNING:** use caution not to pinch fingers between the belt and clutch.
5. Slip the belt off of the transaxle pulley.
6. Replace the belt in reverse order. **NOTE:** make sure the belt is seated properly in the clutch and transaxle and make sure that it does not bend over the fan blades on the transaxle.

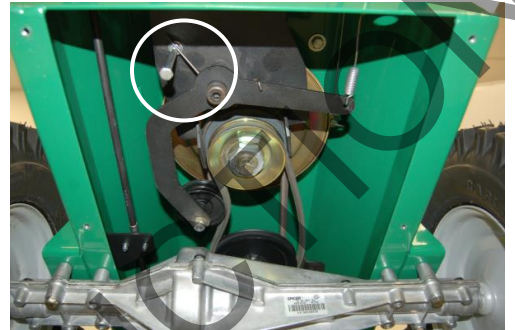


Fig. 9

BLADE DRIVE BELT REMOVAL AND REPLACEMENT (See pages 14 and 15 for Parts Illustration and Parts List)


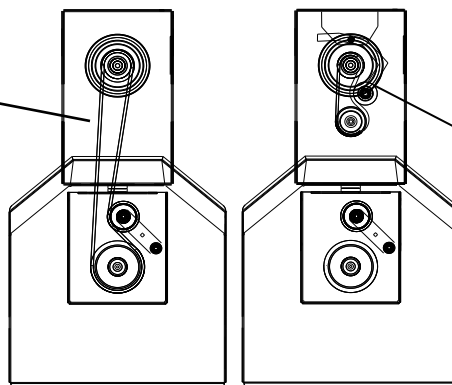
1. Disconnect spark plug wire.
 2. Lift and support rear of unit to allow access to underside.
-  **WARNING:** **UNIT IS HEAVY.** Make sure support is adequate to support weight of machine.
3. Loosen the two screws (item 75) holding deck belt cover (item 29) and remove cover.
 4. Follow the steps 3 and 4 in the Transaxle drive belt removal section to remove the Transaxle drive belt. **NOTE:** It may be necessary to pry idler pulley (item 18) away from its original position to release belt, using a ratchet with an extension in the square hole on the idler arm should allow the proper leverage to pull it off the belt. (See Fig. 10)
 5. Relieve the tension on the blade belt by pulling the deck idler arm off of the belt. Then walk the belt off of the deck pulley.
 6. Feed the belt back to the engine base then slip the belt off of the clutch.
 7. Install the new belt in reverse order making sure the belt is seated properly in the clutch.
 8. Reconnect spark plug wire



Fig. 10

Blade Drive Belt (with Transaxle Belt not Shown)



LOOKING THROUGH TOP

Transaxle Drive Belt
(Seated below drive belt on clutch)

Belt Routing Diagram
(Top View of Machine)

Fig. 11



BC26 MECHANICAL DRIVE Owner's Manual

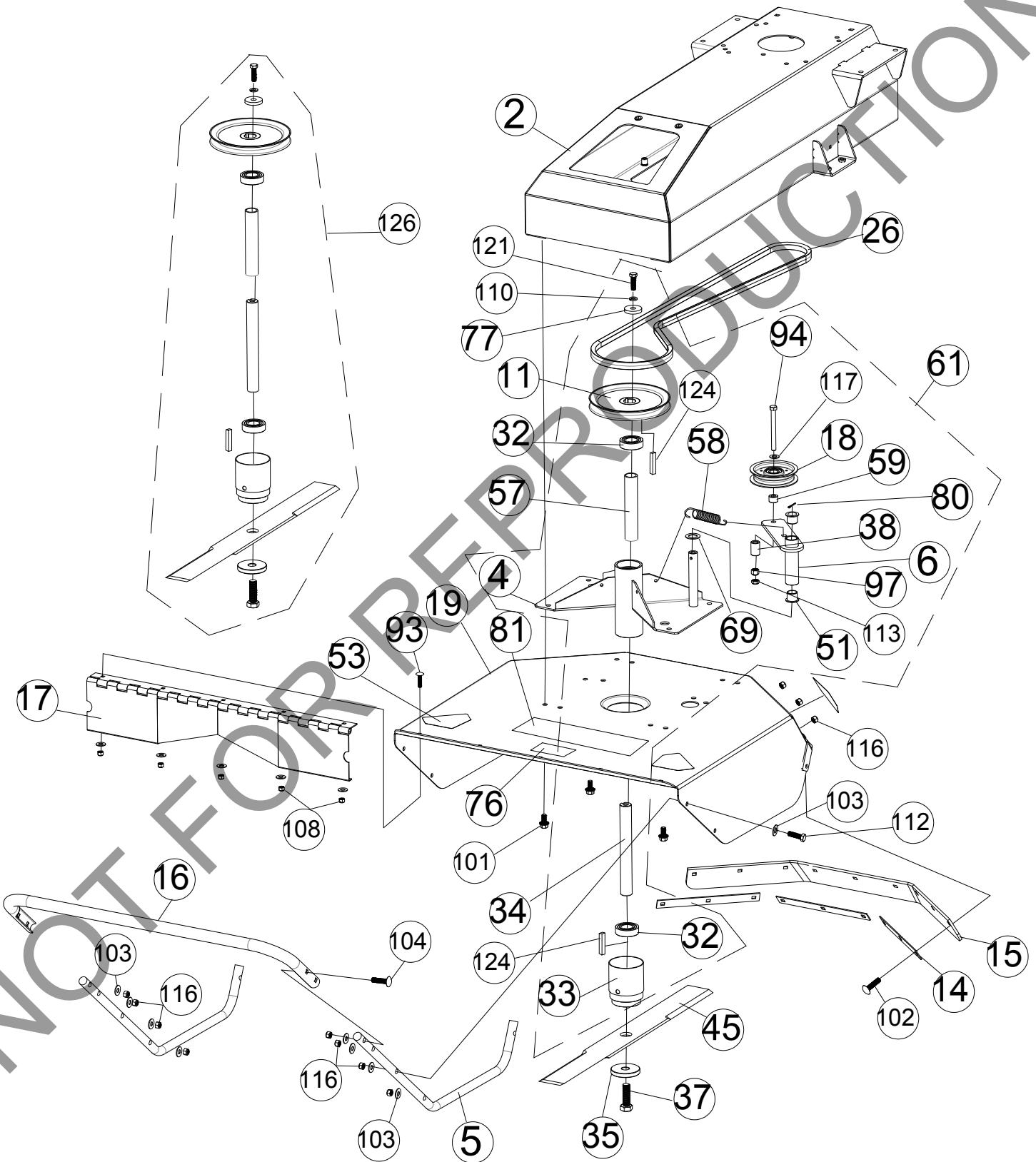
TROUBLESHOOTING

Problem	Possible Cause	Corrective Action
Engine will not start	Throttle is set to Slow/Stop position.	Move throttle to fast position.
	Out of gasoline.	Fill gas tank.
	Old or contaminated gasoline.	Drain gas tank and fill with fresh gasoline.
	Spark plug wire disconnected.	Connect spark plug wire.
	Dirty air cleaner.	Clean or replace air cleaner.
Will not cut or cutting performance is poor	Blade drive cable tension incorrect.	Adjust blade drive cable tension.
	Dull blade.	Sharpen or replace blade. Note: nut will need to be replaced when blade is removed.
	Clogged deck.	Unclog deck.
	Excessive debris built up on or blocking blade.	Clear debris from blade area.
	Engine RPM set too low.	Check engine RPM.
Abnormal vibrations	Blade loose or out of balance.	Check blade for tightness. Rebalance if necessary.
	Engine loose.	Check engine mounting bolts.
	Blade drive belt worn.	Replace blade drive belt.
Belt slips or smokes	Belt tension too low.	Adjust belt tension.
	Belt worn or stretched.	Replace belt.
	Pulleys worn or damaged.	Replace pulleys.
Clutch slips or squeals	Clutch cable tension too low.	Replace spring on idler arm.
	Clutch worn or damaged.	Replace worn or defective clutch assembly parts.
Blade brake will not engage	Inadequate slack in clutch cable.	Adjust clutch cable.
	Clutch worn or damaged.	Replace clutch/brake assembly.
Transaxle will not engage	Clutch lever not engaging clutch.	Adjust clutch cable.
	Clutch cable defective.	Replace cable.
	Belt worn or broken.	Replace belt.
Transaxle will not disengage	Clutch cable out of adjustment.	Adjust clutch cable.
Engine will not turn over	Defective blade clutch.	Replace clutch.
	Engine problem.	Contact an authorized servicing dealer for your engine.



BC26 MECHANICAL DRIVE Owner's Manual

BC26 MECHANICAL DRIVE DECK PARTS DRAWING





BC26 MECHANICAL DRIVE Owner's Manual

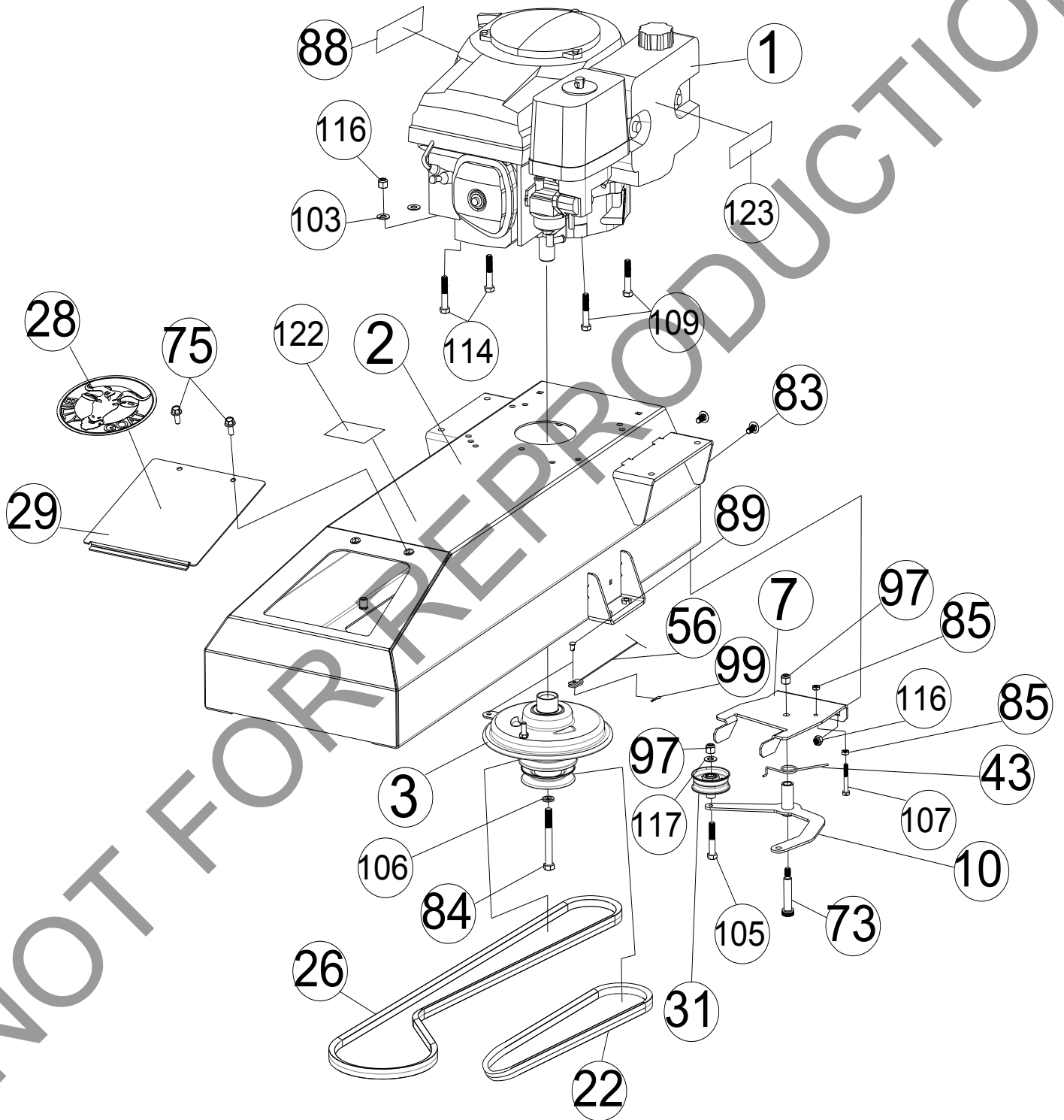
BC26 MECHANICAL DRIVE DECK PARTS LIST

Item no.	Description	BC2600ICM		BC2600HM		BC2600HMF(T)	
		Part no.	Qty	Part no.	Qty	Part no.	Qty
2	BASE ENGINE BC26 FIXED WA W/LABELS	501120-S	1	501120-S	1	501120-S	1
4	BRACKET DECK MOUNT WA BC	501118	1	501118	1	501118	1
5	SKID BC26	501407	2	501407	2	501407	2
6	ARM IDLER DECK WA BC	501103	1	501103	1	501103	1
11	PULLEY 7" OD X 1.00" BORE	501308	1	501308	1	501308	1
14	PLATE CLAMP SKIRTING BC26	501239	3	501239	3	501239	3
15	DEFLECTOR RUBBER BC26	501231	1	501231	1	501231	1
16	BAR GUARD BC26	501403	1	501403	1	501403	1
17	HINGE DEFLECTOR BC26	501211	1	501211	1	501211	1
18	PULLEY IDLER 4.00" OD X 3/8" BORE	500113	1	500113	1	500113	1
19	DECK WA W/LABELS BC26	501102-S	1	501102-S	1	501102-S	1
26	BELT 6972 POWERATED	501220	1	501220	1	501220	1
32	BEARING, BALL 1641 - 2RS-PRX	501302	2	501302	2	501302	2
33	ADAPTER BLADE WA BC26	501343	1	501343	1	501343	1
34	SHAFT BLADE BC2600	501341	1	501341	1	501341	1
35	WASHER BLADE BC26	501346	1	501346	1	501346	1
37	SCREWCAP 9/16"-18 X 1 3/4" GR 8	501345	1	501345	1	501345	1
38	BUSHING PIVOT LIFT	360138	2	360138	2	360138	2
45	BLADE 26" FLAT BC26	501224	1	501224	1	501224	1
51	BUSHING PIVOT FRAME AE	360183	2	360183	2	360183	2
53	LABEL DANGER	900327	4	900327	4	900327	4
57	SPACER SPINDLE BEARING BC2600	501245	1	501245	1	501245	1
58	SPRING IDLER	501261	1	501261	1	501261	1
59	TUBE PIVOT IDLER VQ	830526	1	830526	1	830526	1
61	SPINDLE ASSY BC26 FIXED	501608	1	501608	1	501608	1
69	WASHER .765" ID X 1.25" OD X .06"	850238	2	850238	2	850238	2
76	LABEL DANGER FLYING DEBRIS	810736	1	810736	1	810736	1
77	WASHER 1.5 OD X .453 ID X .25 THK	440153	1	440153	1	440153	1
80	PIN COTTER 1/8" X 1"	8197031	1	8197031	1	8197031	1
81	LABEL OUTBACK BC26 MECH	501501	1	501501	1	501501	1
93	BOLT CARRIAGE 1/4"-20 X 3/4" ZP	8024021	7	8024021	7	8024021	7
94	SCREWCAP 3/8"- 16 X 3 3/4" HCS ZP	8041061	1	8041061	1	8041061	1
97	NUT LOCK 3/8"-16 HEX	8160003	11	8160003	11	8160003	11
101	SER HEX WSHR FLNG SCR .375" - 16 X .75"	791080	6	791080	6	791080	6
102	BOLT CARRIAGE 5/16"-18 X 1" ZP	8024040	9	8024040	9	8024040	9
103	WASHER 5/16" FLAT ZP	8171003	18	8171003	18	8171003	18
104	BOLT CARRIAGE 5/16"- 18 X 1 1/4" ZP	8024041	4	8024041	4	8024041	4
108	NUT LOCK 1/4"-20 HEX ZP	8160001	7	8160001	7	8160001	7
110	WASHER LOCK 3/8" S/T MED	8177012	1	8177012	1	8177012	1
112	SCREWCAP 5/16"-18 X 1 1/2" HCS ZP	8041030	6	8041030	6	8041030	6
113	NUT LOCK 3/8"- 16 LT WT TH ZP	8161042	2	8161042	2	8161042	2
116	NUT LOCK 5/16"-18 HEX ZP	8160002	24	8160002	26	8160002	26
117	WASHER 3/8" SAE	8172009	2	8172009	2	8172009	2
121	SCREWCAP 3/8"-16 1 1/4" HCS ZP	8041051	1	8041051	1	8041051	1
124	KEY 1/4" SQ X 3/4"	9201109	2	9201109	2	9201109	2
126	BLADE PULLEY AND ADAPTER KIT SERVICE	501611	1	501611	1	501611	1



BC26 MECHANICAL DRIVE Owner's Manual

BC26 MECHANICAL DRIVE ENGINE PARTS DRAWING



NOT FOR REPRODUCTION



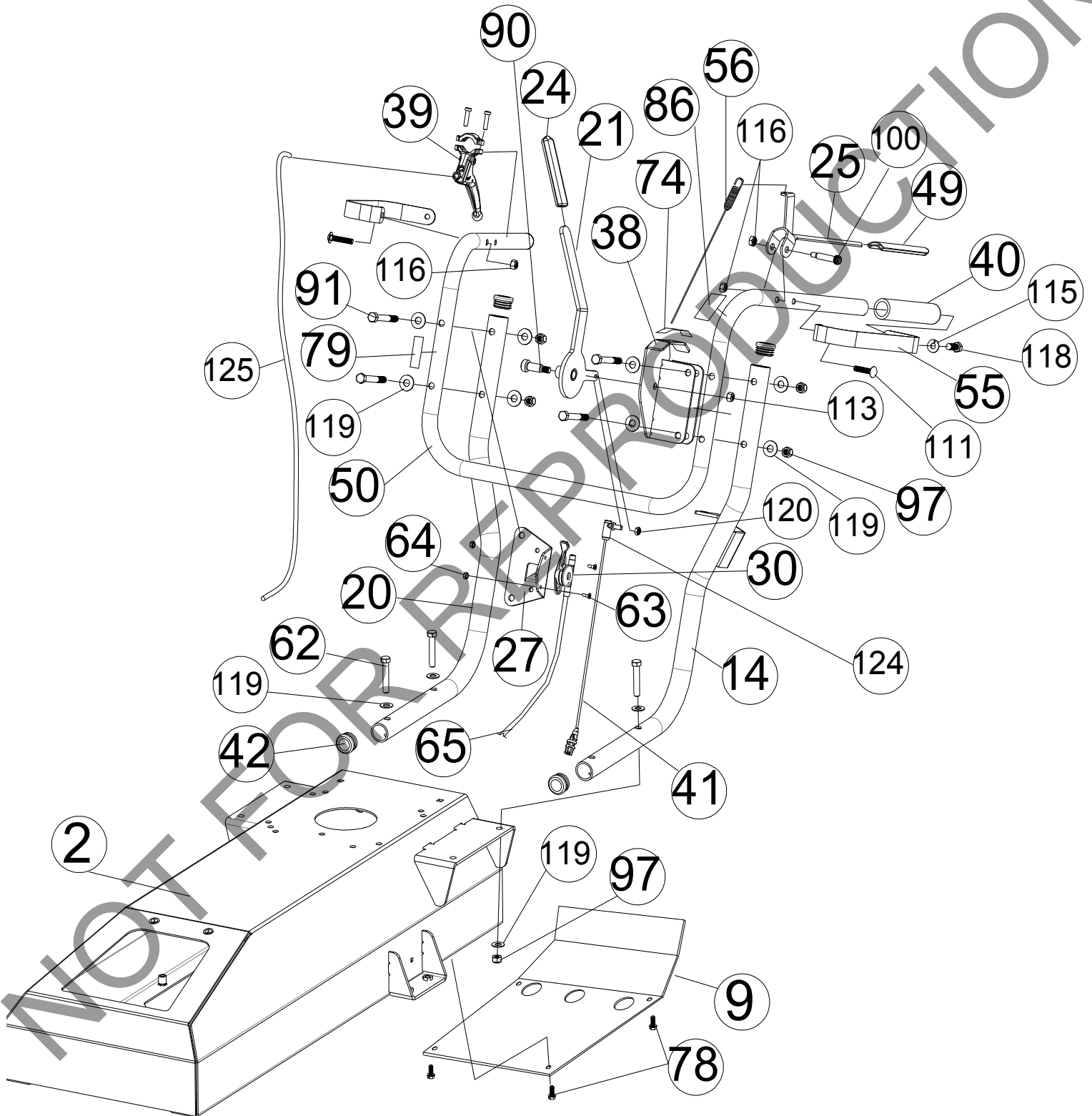
BC26 MECHANICAL DRIVE Owner's Manual

BC26 MECHANICAL DRIVE ENGINE PARTS LIST

Item no.	Description	Part no.	Qty	Part no.	Qty	Part no.	Qty
1	ENGINE 12.5 HP BRIGGS OHV VERT	520046	1	-	-	-	-
	ENGINE 13HP HONDA GX390UTQA2	-	-	500334	1	500334	1
2	BASE ENGINE BC26 FIXED WA W/LABELS	501120-S	1	501120-S	1	501120-S	1
3	CLUTCH	501223-S	1	501223-S	1	501223-S	1
7	BRACKET BELT TIGHTEN BC26	501249	1	501249	1	501249	1
10	ARM IDLER DRIVE MECH WA	501117	1	501117	1	501117	1
22	BELT 6830 POWERATED	501268	1	501268	1	501268	1
26	BELT 6972 POWERATED	501220	1	501220	1	501220	1
28	LABEL PRODUCT DECAL LG CIRCLE	430303	1	430303	1	430303	1
29	DOOR BASE ENGINE BC	500233	1	500233	1	500233	1
31	PULLEY IDLER ARM HP	521121	1	521121	1	521121	1
43	SPRING TRANS IDLER	510142	1	510142	1	510142	1
56	CABLE CLUTCH BC26	501279	1	501279	1	501279	1
73	BOLT SHOULDER 1/2" X 2"	520031	1	520031	1	520031	1
75	SER HEX WSHR FLNG SCR 5/16"-18 X 3/4"	351264	4	351264	4	351264	4
83	BOLT CARRIAGE 5/16"-18 X 3/4" ZP	8024039	2	8024039	2	8024039	2
84	SCREWCAP 7/16"-20 X 3 1/2" GR. 8 W/PATCH	440150	1	440150	1	440150	1
85	NUT JAM 1/4" NC HEX	8143001	2	8143001	2	8143001	2
88	LABEL WARNING FUEL EN/SP	100261	1	-	-	-	-
89	PIN CLEVIS .25 X .050	440124	1	440124	1	440124	1
97	NUT LOCK 3/8"-16 HEX	8160003	11	8160003	11	8160003	11
99	PIN HITCH CLIP .051 X 3/4"	440193	1	440193	1	440193	1
103	WASHER 5/16" FLAT ZP	8171003	18	8171003	18	8171003	18
105	SCREWCAP 3/8"-16 X 2" HCS ZP	8041054	1	8041054	1	8041054	1
106	WASHER LOCK 7/16" S/T MED	8177013	1	8177013	1	8177013	1
107	SCREWCAP 1/4"-20 X 1 3/4" HCS ZP	8041009	1	8041009	1	8041009	1
109	SCREW 3/8" X 1 1/2" TCS	850408	5	850408	1	850408	1
	SCREWCAP 5/16"- 24 X 1" GR. 8 ZP W/PATCH	-	-	400164	2	400164	2
114	SCREWCAP 5/16"- 18 X 1 3/4" GR. 5 HCS ZP	-	-	8041031	2	8041031	2
116	NUT LOCK 5/16"-18 HEX ZP	8160002	24	8160002	26	8160002	26
117	WASHER 3/8" SAE	8172009	2	8172009	2	8172009	2
122	LABEL GUARDS	900327	1	900327	1	900327	1
123	LABEL SPARK ARRESTOR	100256	1	100256	1	100256	1
124	DETACHABLE BALL JOINT	831615	1	831615	1	831615	1



BC26 MECHANICAL DRIVE HANDLE PARTS DRAWING





BC26 MECHANICAL DRIVE Owner's Manual

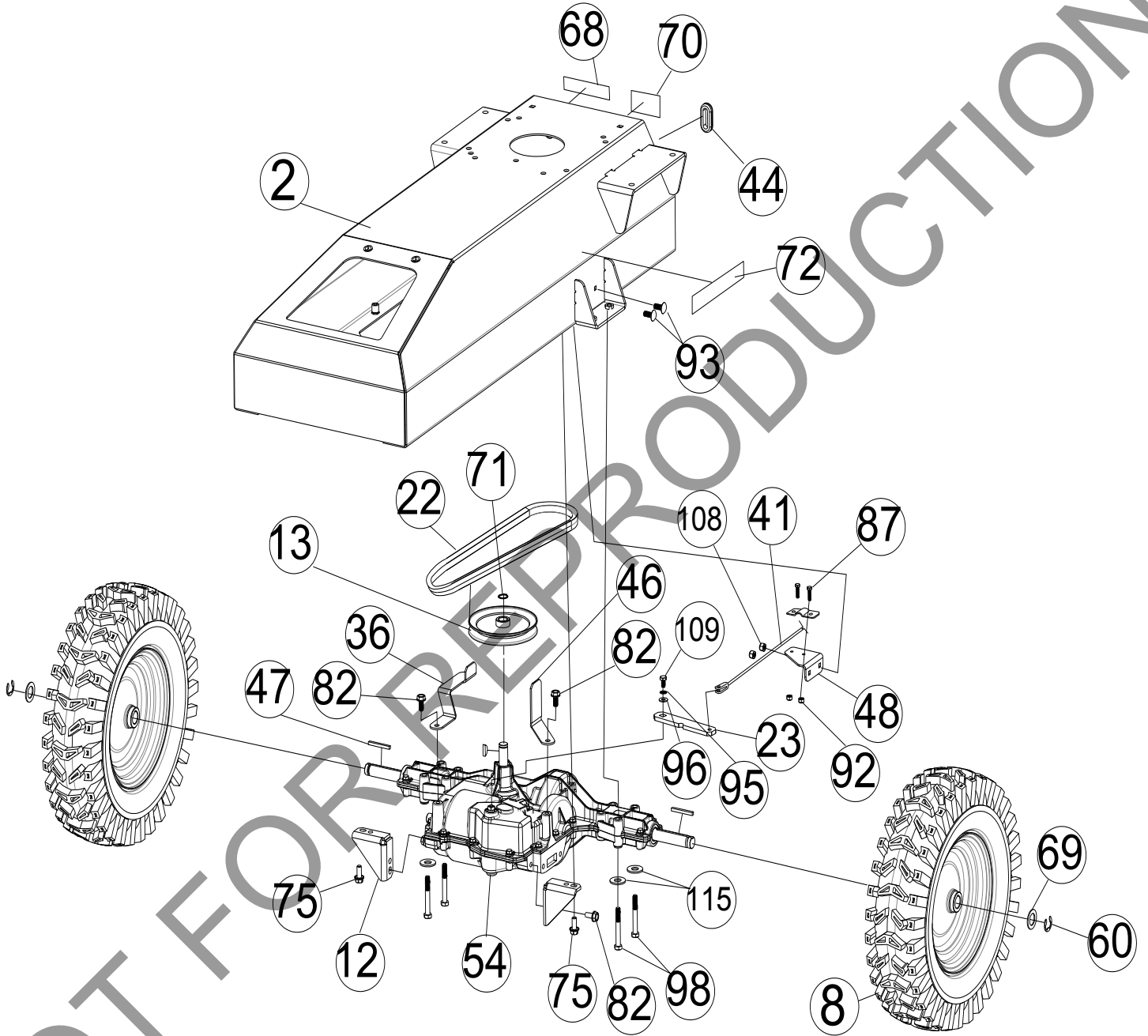
BC26 MECHANICAL DRIVE HANDLE PARTS LIST

Item no.	Description	BC2600ICM		BC2600HM		BC2600HMF(T)	
		Part no.	Qty	Part no.	Qty	Part no.	Qty
2	BASE ENGINE BC26 FIXED WA W/LABELS	501120-S	1	501120-S	1	501120-S	1
9	GUARD REAR BC26	501298	1	501298	1	501298	1
14	LOWER MECH BC HANDLE W/BACKET	501115	1	501115	1	501115	1
20	HANDLE LOWER RIGHT	501401	1	501401	1	501401	1
21	LEVER SHIFTER WA BC26	501107	1	501107	1	501107	1
24	GRIP LEVER 1" X 4.25"	840191	1	840191	1	840191	1
25	LEVER CONTROL BLADE LIGHT	500312	1	500312	1	500312	1
27	BRACKET THROTTLE BC26	501251	1	501251	1	501251	1
30	CONTROL THROTTLE	440013	1	440013	1	440013	1
38	BRACKET SHIFTER WA W/LABELS	501108-S	1	501108-S	2	501108-S	2
39	CONTROL LEVER DRIVE HP	521104	1	521104	1	521104	1
40	GRIP HANDLE 1" X 5.5"	500267	2	500267	2	500267	2
41	CABLE CONTROL SHIFTER BC26	501254	1	501254	1	501254	1
42	PLUG TUBE INSERT 1.25 OD	791056	4	791056	4	791056	4
49	GRIP LEVER 0.125" X 1" X 5" ORANGE	500379	1	500379	1	500379	1
50	HANDLE UPPER	501402-MS	1	501402-MS	1	501402-MS	1
55	GUARD HAND BC26	501215	2	501215	2	501215	2
56	CABLE CLUTCH BC26	501279	1	501279	1	501279	1
62	SCREWCAP 3/8"- 16 X 2"	8041054	4	8041054	4	8041054	4
63	SCREW MACH #10 - 24 FLAT HD	830514	2	830514	2	830514	2
64	NUT LOCK LT #10 - 24 HEX	8164005	2	8164005	2	8164005	2
65	CABLE THROTTLE 31.5"	440178	1	-	-	-	-
	CABLE THROTTLE CONTROL 25.5	-	-	440014	1	440014	1
74	LABEL SHIFT BC26 MECH	501503	1	501503	1	501503	1
78	SCREW SELT TAP 1/4"-20 X 5/8 HWH TYPE F	890359	4	890359	4	890359	4
79	LABEL THROTTLE	501314	1	501314	1	501314	1
86	LABEL CLUTCH BLADE	500177	1	500177	1	500177	1
90	BOLT SHOULDER 1/2" X 1"	500114	1	500114	1	500114	1
91	SCREWCAP 3/8"-16 X 3" HCS ZP	8041058	8	8041058	8	8041058	8
97	NUT LOCK 3/8"-16 HEX	8160003	11	8160003	11	8160003	11
100	BOLT SHOULDER 3/8"- 16 X 1 1/2"	501313	1	501313	1	501313	1
111	BOLT CARRIAGE 5/16"- 18 X 1 1/2" ZP	8024042	2	8024042	2	8024042	2
113	NUT LOCK 3/8"- 16 LT WT TH ZP	8161042	2	8161042	2	8161042	2
115	WASHER LOCK 5/16" S/T MED	8177011	6	8177011	6	8177011	6
116	NUT LOCK 5/16"-18 HEX ZP	8160002	24	8160002	26	8160002	26
118	SCREWCAP 5/16"- 18 X 1"	8041028	2	8041028	2	8041028	2
119	WASHER 3/8" FC	8171004	16	8171004	16	8171004	16
120	NUT LOCK 1/4"- 28 TH ZP	8161020	1	8161020	1	8161020	1
125	CABLE DRIVE BC26 SERVICE	501282-S	1	501282-S	1	501282-S	1



BC26 MECHANICAL DRIVE Owner's Manual

BC26 MECHANICAL DRIVE TRANS PARTS DRAWING





BC26 MECHANICAL DRIVE Owner's Manual

BC26 MECHANICAL DRIVE TRANS PARTS LIST

Item no.	Description	BC2600ICM		BC2600HM		BC2600HMF(T)	
		Part no.	Qty	Part no.	Qty	Part no.	Qty
2	BASE ENGINE BC26 FIXED WA	501120-S	1	501120-S	1	501120-S	1
8	WHEEL 16" STUD TREAD W/CENTERED HUB	500366	2	500366	2	-	-
	WHEEL 16" STUD TREAD FOAM FILLED	-	-	-	-	500371	2
12	BRACKET ANTI ROTATION	501338	2	501338	2	501338	2
13	PULLEY 5" OD "A" SEC	501248	1	501248	1	501248	1
22	BELT 6830 POWERATED	501268	1	501268	1	501268	1
23	BAR SHIFT T AXLE	501255	1	501255	1	501255	1
36	BRACKET BELT FINGER BC26	501252	1	501252	1	501252	1
41	CABLE CONTROL SHIFTER BC26	501254	1	501254	1	501254	1
44	GROMMET 1.25" HOLE	520092	1	520092	1	520092	1
46	GUIDE BELT RH BC	501253	1	501253	1	501253	1
47	KEY 3/16" SQ X 2 1/8"	9201087	2	9201087	2	9201087	2
48	BRACKET SHIFTER LOWER BC26	501283	1	501283	1	501283	1
54	TRANSAXLE 3 SPD W/REV	521102	1	521102	1	521102	1
60	RING RETAINING "E" 3/4"	850230	2	850230	2	850230	2
68	LABEL SAFETY PROTECT READ MANUAL	100346	1	100346	1	100346	1
69	WASHER .765" ID X 1.25" OD X .06"	850238	2	850238	2	850238	2
70	LABEL MADE IN USA	520116	1	520116	1	520116	1
71	RING SNAP TRUARC 5/8"	850233	1	850233	1	850233	1
72	LABEL CHOCK WHEEL	500168	2	500168	2	500168	2
75	SER HEX WSHR FLNG SCR 5/16"-18 X 3/4"	351264	4	351264	4	351264	4
82	SCREW SELF TAP 5/16" X 3/4" HEX	8123128	4	8123128	4	8123128	4
87	SCREW MACHINE #10-24 X 3/4" WF ZP	8059136	2	8059136	2	8059136	2
92	NUT LOCK #10-24 HEX	8155007	2	8155007	2	8155007	2
93	BOLT CARRIAGE 1/4"-20 X 3/4" ZP	8024021	7	8024021	7	8024021	7
95	WASHER LOCK 1/4" EXTERNAL TOOTH	8181007	1	8181007	1	8181007	1
96	WASHER 1/4" SAE	8172007	1	8172007	1	8172007	1
98	SCREWCAP 5/16"-18 X 2 3/4" HCS ZP	8041035	4	8041035	4	8041035	4
108	NUT LOCK 1/4"-20 HEX ZP	8160001	7	8160001	7	8160001	7
109	SCREW 3/8" X 1 1/2" TCS	850408	5	850408	1	850408	1
	SCREWCAP 5/16"- 24 X 1" GR. 8 ZP W/PATCH	-	-	400164	2	400164	2
115	WASHER LOCK 5/16" S/T MED	8177011	6	8177011	6	8177011	6