



# BC26 Operator's Manual

Beginning Serial #: 031523001

## Models

BC2600ICH  
BC2600ICHC  
BC2600ICHFT  
BC2600ICM  
BC2601HH  
BC2601HHC  
BC2601HHFT  
BC2601HEBH  
BC2601HEBHFT  
BC2601HM  
BC2601HMFT



## Original Instructions

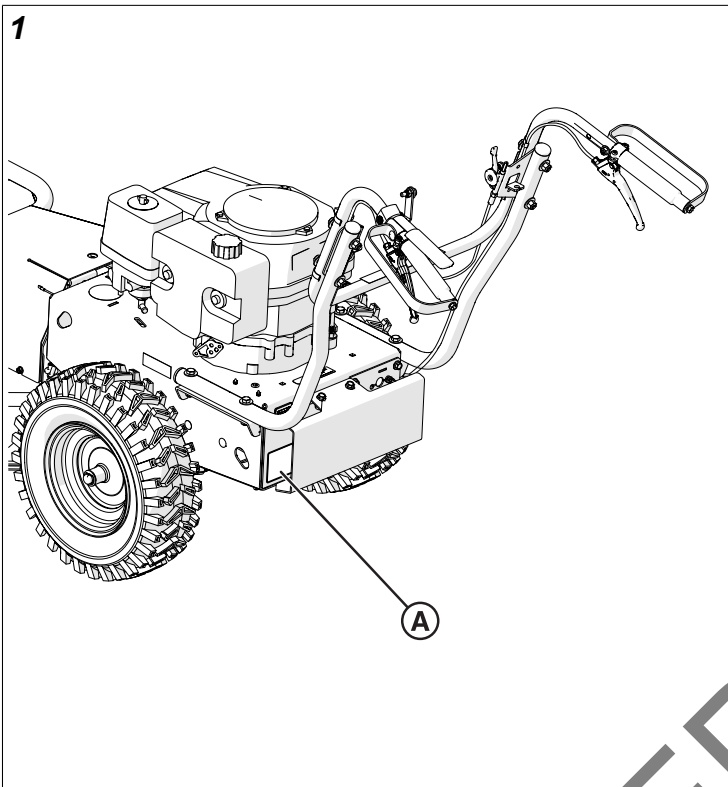
IMPORTANT- READ CAREFULLY BEFORE USE AND KEEP FOR FUTURE REFERENCE

# Table of Contents:

<b>Identifying Your Unit</b> .....	<b>3</b>
<b>Intended Use</b> .....	<b>3</b>
<b>Initial Setup</b> .....	<b>3</b>
Installing the Handle Assembly.....	3
Installing the Front Guard Bar.....	4
General Setup.....	4
<b>Features and Controls</b> .....	<b>5</b>
Engine Pull Starter.....	5
Engine Electric Starter.....	5
Throttle Lever.....	5
Drive Handle.....	5
Direction Shifter.....	6
Forward Handle.....	6
Reverse Handle.....	7
Free Wheel Lever.....	7
Blade Lever.....	7
<b>Operation</b> .....	<b>9</b>
Starting the Engine.....	9
Cutting Operation.....	9
Shutting Down the Unit.....	9
Pushing the Unit by Hand.....	9
<b>Maintenance Procedures</b> .....	<b>10</b>
Clearing a Clogged Deck.....	10
Inspecting and Sharpening the Blade.....	10
Replacing the Blade.....	11
Replacing the Drive Belt.....	11
Replacing the Drive Belt.....	12
Adjusting Drive Cable Tension.....	13
Adjusting Drive Cable Tension.....	13
Replacing the Blade Belt.....	13
Replacing the Blade Belt.....	14
Adjusting the Blade Belt Tension.....	15
Battery Care.....	16
<b>Periodic Maintenance</b> .....	<b>17</b>
<b>Troubleshooting</b> .....	<b>17</b>
<b>Specifications</b> .....	<b>18</b>
Briggs and Stratton.....	18
Honda Pull-Start.....	18
Honda Electric-Start.....	18
Dimensions.....	18
Weights.....	18

# Identifying Your Unit

Thank you for purchasing this quality piece of outdoor power equipment. Before operation, please note the product Identification Tag (A, Figure 1) which is found at the operator's position, below the handlebars.



Record your model number, serial number, and engine model and serial numbers in the space provided for easy access.

### PRODUCT REFERENCE DATA

Unit Model Number:	
Unit Serial Number:	
Dealer Name:	
Date Purchased:	

### ENGINE REFERENCE DATA

Engine Make:	
Engine Model:	
Engine Type/ Specifications:	
Engine Code/Serial Number:	

When contacting your authorized service dealer for replacement parts, service, or information you MUST have these numbers.

*Note:* For the location of the engine identification numbers, refer to engine owner's manual.

# Intended Use

This machine may only be utilized for the purpose for which it was designed. This machine is designed to cut brush. Be

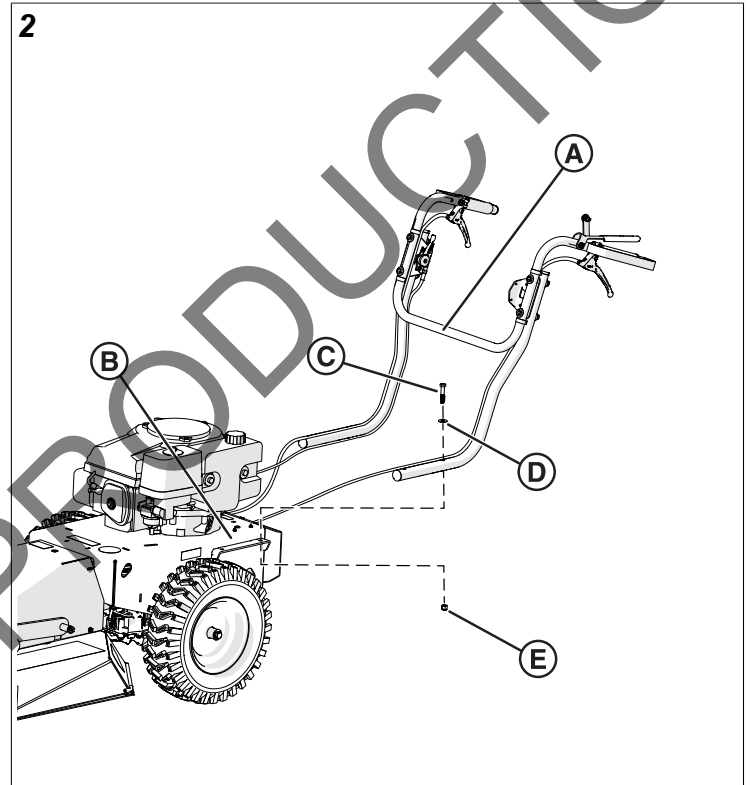
sure that all operators of this equipment are trained in general machine use and safety.

# Initial Setup

## Installing the Handle Assembly

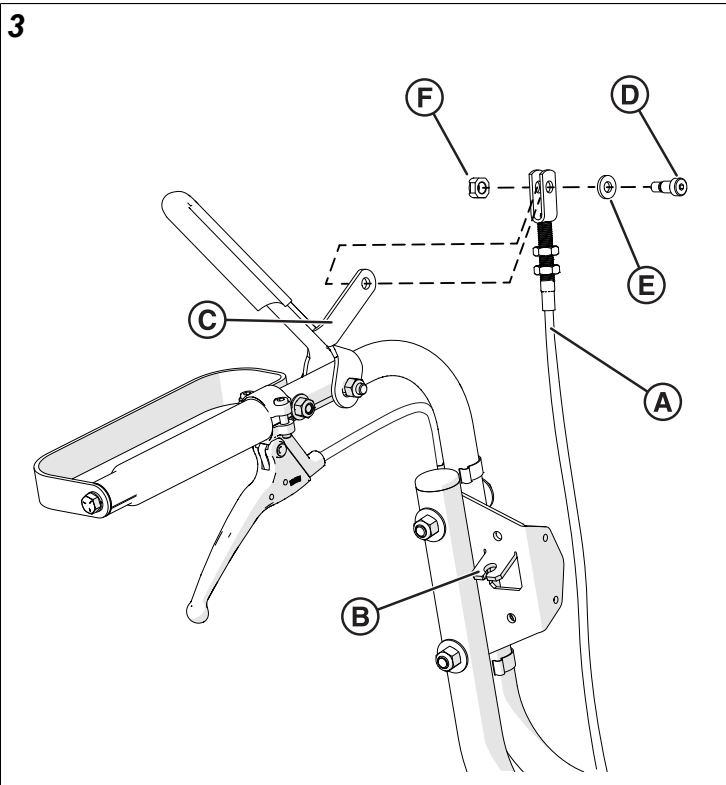
**Fits:** Units shipped in cardboard carton/box.

1. Locate the handle assembly (A, Figure 2). Be mindful of cables when handling.



2. Install the handle assembly onto the frame (B). Use the four bolts (C), washers (D), and nuts (E) to secure the upper handle assembly to the lower handle assembly. Be mindful of the cables.
3. Install the blade cable (A, Figure 3). First, connect to the blade cable bracket (B). Then, install the cable onto the blade lever (C). Use the bolt (D), washer (E), and nut (F) to secure the cable to the lever.

3



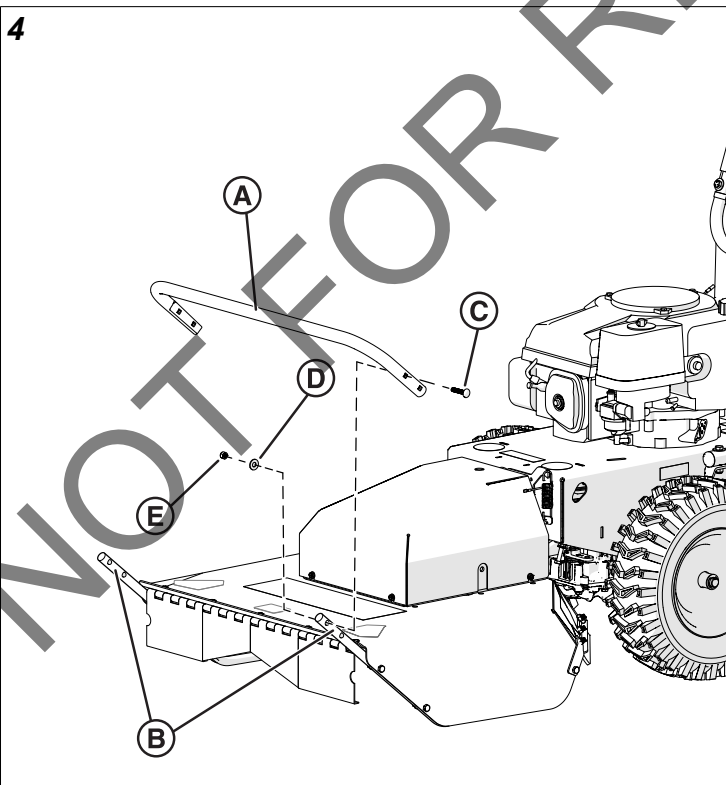
4. Use cable ties to secure any loose cables to the handle assembly.

## Installing the Front Guard Bar

**Fits:** All models except models with caster wheels.

1. Locate the front guard bar (A, Figure 4) and remove any packaging materials.

4



2. Install the front guard bar onto the front left and right skid bars (B). Use the bolts (C), washers (D), and nuts (E) to secure the guard bar to the skid bars.

## General Setup

Your unit was shipped in a box or wooden crate. Remove the unit from the carton and remove all packaging.

1. Verify all cables are secured to the handlebars with metal conduit clamps and/or plastic cable ties.
2. Check the engine oil level. Fill if necessary.
3. Check the engine fuel level and fill if necessary.
4. Electric models only: Secure the battery in the battery plate. Hook one side of the strap into the hole, then stretch the strap across the top of the battery and hook the opposite side into the opposing hole on the plate. Be sure the battery is secure, then connect terminals.
5. Read the General Safety Manual to familiarize yourself with safety topics related to the unit and prepare yourself for operation.

# Features and Controls

## Engine Pull Starter

**Note:** Check engine oil and fuel levels before attempting to start the engine! Add oil and/or fuel, if necessary.

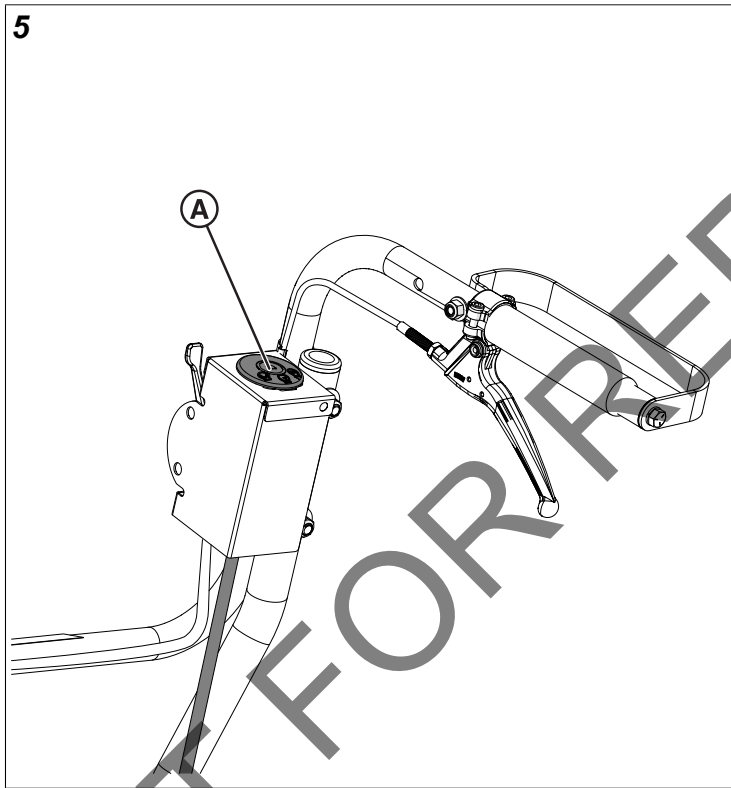
**Fits:** Non-Electric Units.

Pull the starter rope to start the engine. Pull the starter cord slowly until resistance is felt. Then, pull the cord rapidly to avoid kickback.

## Engine Electric Starter

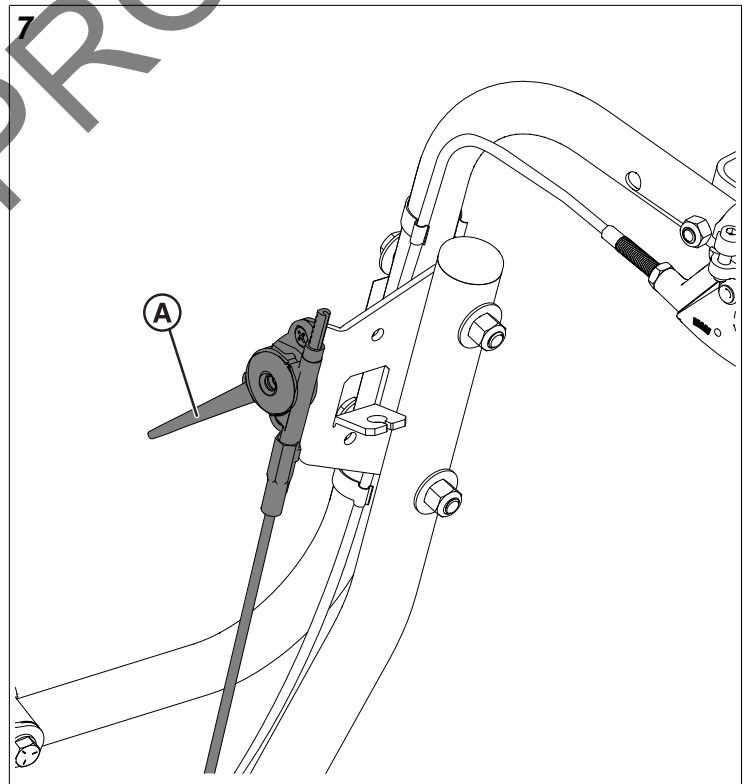
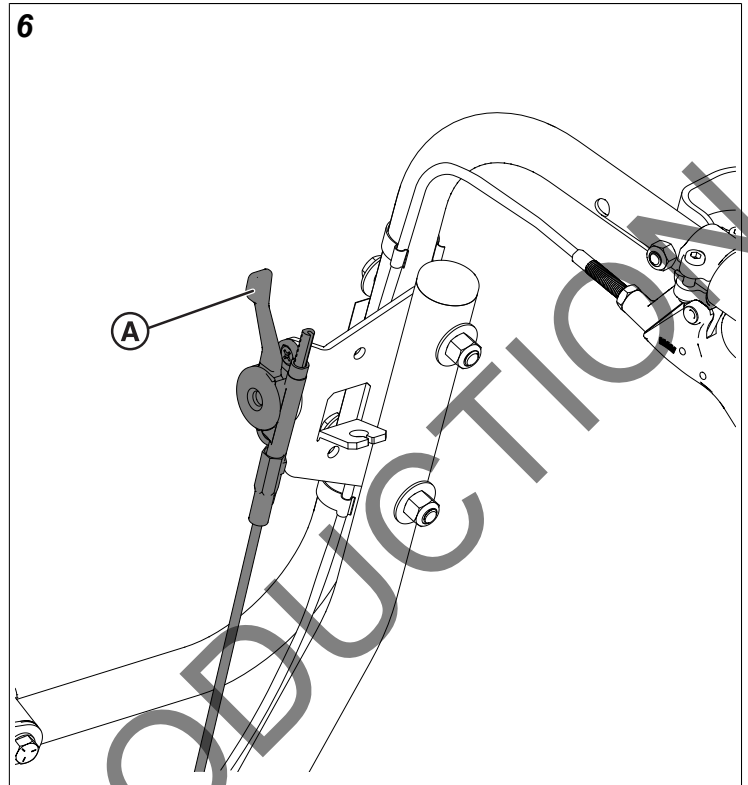
**Fits:** BC2601HEBH, BC2601HEBHFT units

The engine electric starter (A, Figure 5) is located on the right side of the upper handle. Turn the ignition key to start the engine. If the engine does not immediately start, crank over the engine for only ten (10) seconds at a time. Cranking the electric engine starter for longer increments of time can cause damage to the engine.



## Throttle Lever

The throttle lever (A, Figure 6) increases the engine speed. Before starting the engine, depress the throttle lever. Depress the lever completely (A, Figure 7) to reach top engine speed.

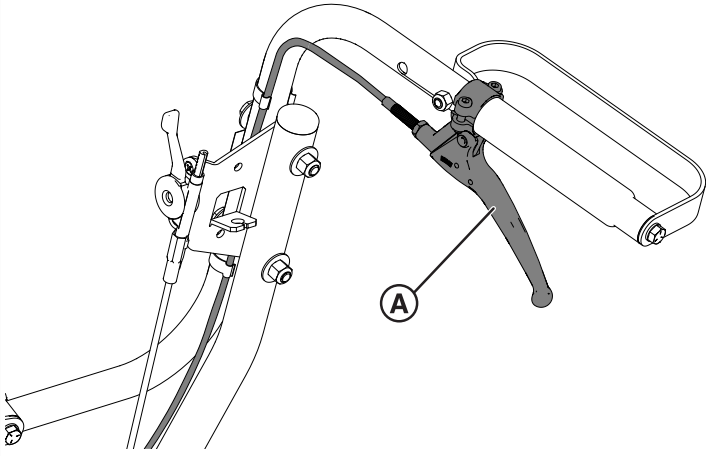


## Drive Handle

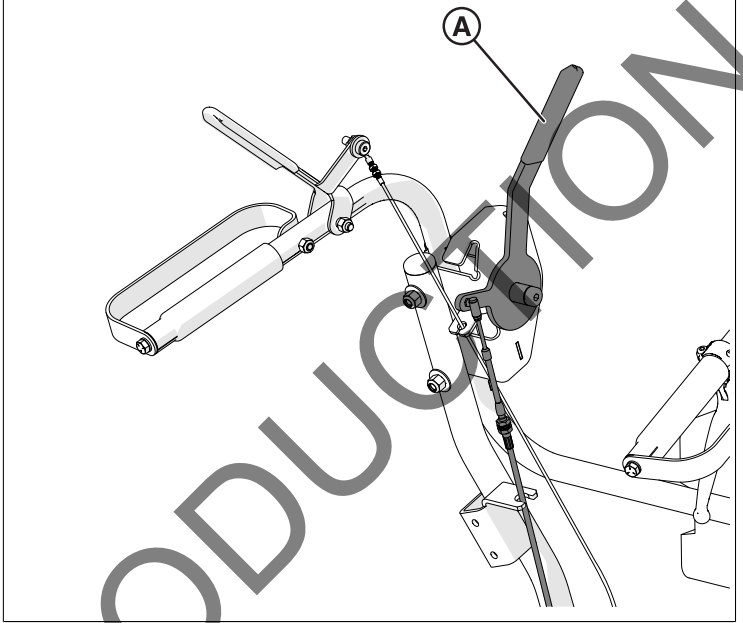
**Fits:** Mechanical drive models

Squeeze the mechanical drive handle (A, Figure 8) to engage the unit in motion. Before engaging the drive lever, use the direction shifter to select forward or reverse motion.

8



10



### Direction Shifter

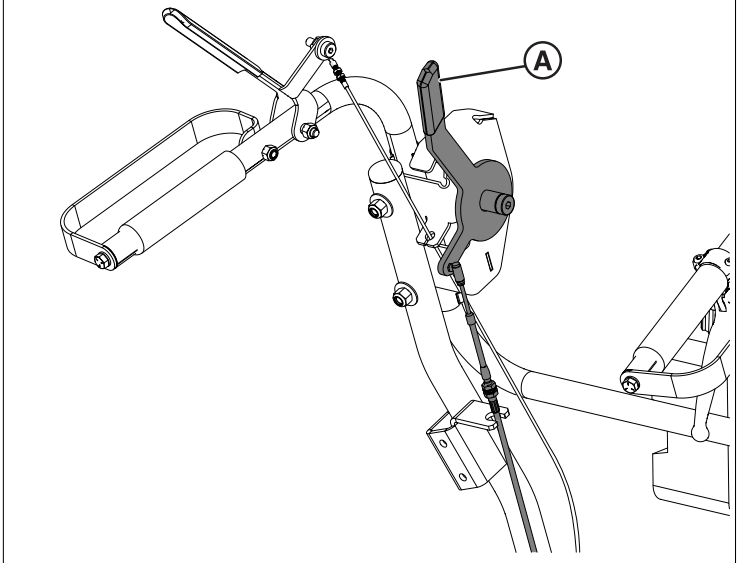
Fits: Mechanical drive models

The direction shifter allows the operator to change drive direction and gear. Reference the direction shifter decal (Figure 9) to select from reverse, neutral, or forward motion. Forward motion provides first, second, or third gear options. To select direction, move the direction shifter lever up or down. The lever will "click" into place. Figure 10 shows the direction shifter in forward motion. Figure 11 shows the direction shifter in reverse motion.

9



11

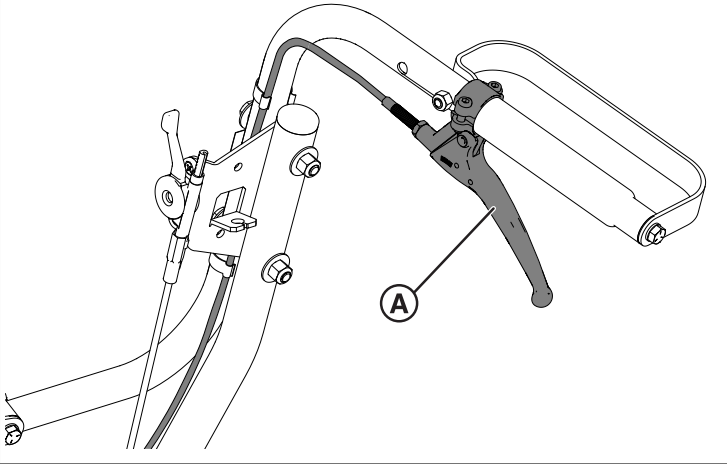


### Forward Handle

Fits: Hydro-drive units

Use the forward handle (A, Figure 12) on the right to maneuver the unit in a forward direction. Slowly squeeze the handle, while stepping forward to achieve forward motion. To stop forward motion, let go of the handle completely.

12

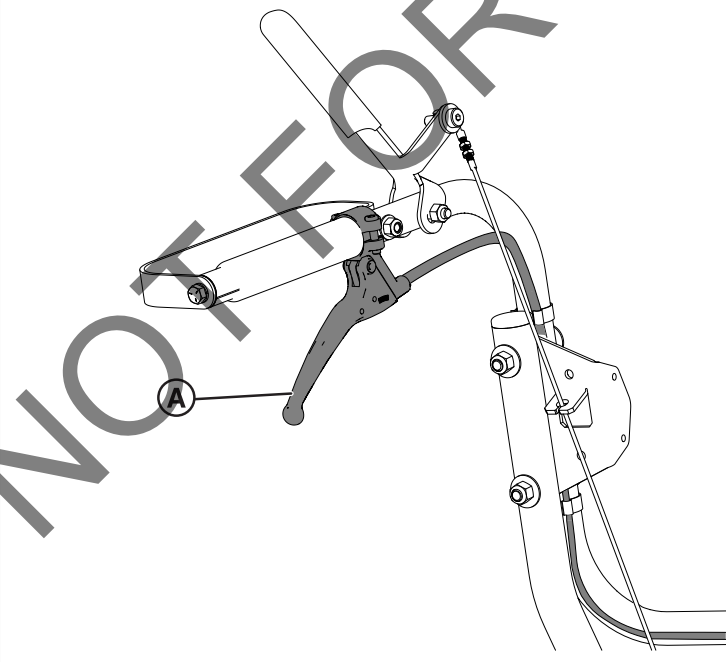


### Reverse Handle

Fits: Hydro-drive units

Use the reverse handle (A, Figure 13) on the left to maneuver the unit in a reverse direction. Slowly squeeze the handle, while walking backwards to achieve reverse motion. To stop reverse motion, let go of the handle completely.

13

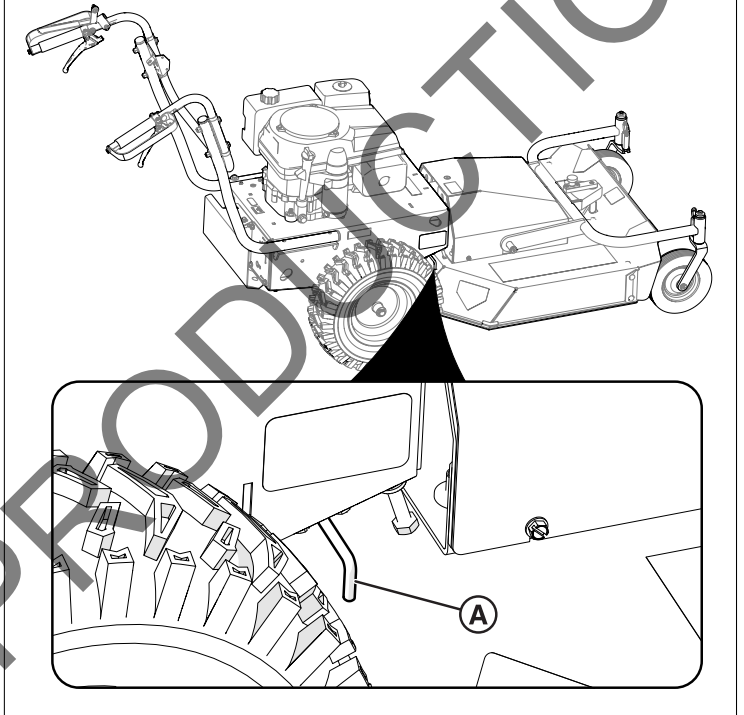


### Free Wheel Lever

Fits: Hydro-drive models

Use the Free Wheel Lever (A, Figure 14) to push the unit by hand. Pull out the lever to disengage drive-enabled motion. This will allow you to transport and push the unit by hand. Push the lever in to engage drive-enabled motion. Refer to decal 501504 (Figure 15) for more information.

14



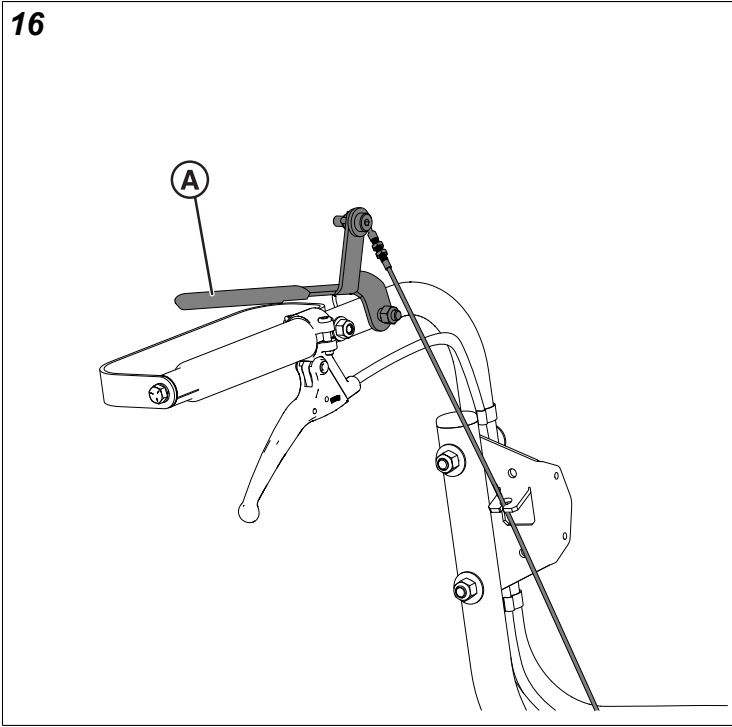
15



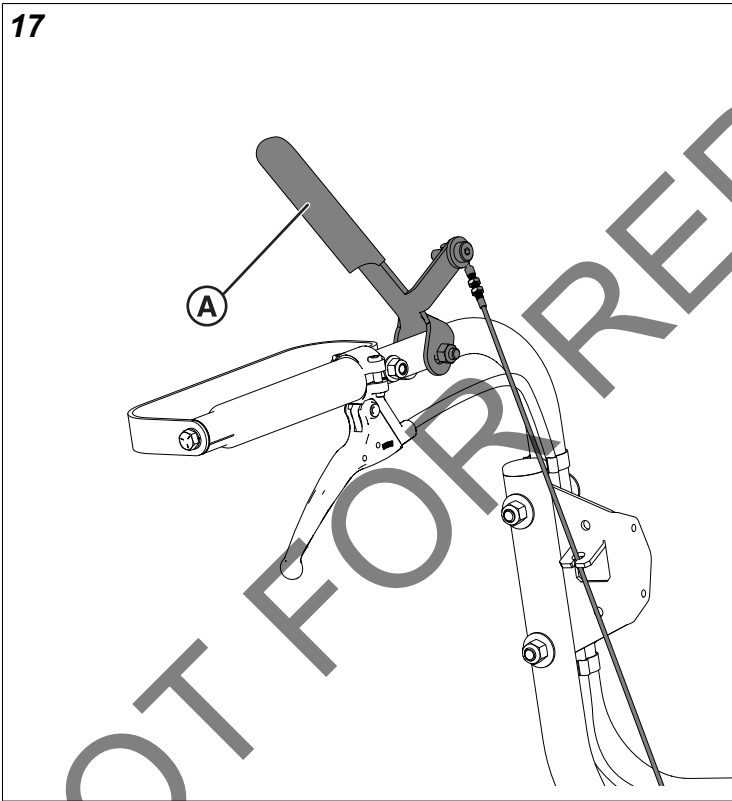
### Blade Lever

The blade lever engages the blade, causing the blade to spin and cut brush. To engage the blade, completely depress the blade lever (A, Figure 16). To disengage the blade, release the blade lever (A, Figure 17).

16



17



NOT FOR REPRODUCTION



# Operation

## Starting the Engine



### CAUTION

**Check** engine oil and fuel levels before operating machine!  
Add oil and/or fuel, if necessary.



### DANGER

**Do not** start equipment with drive levers or blade lever engaged!

1. Place the unit on a level, firm surface that is free of rocks or other debris.
2. Depress the throttle lever. See the *Throttle Control* section for more information.
3. Under cold conditions, engage the engine's choke lever.
4. Start the engine. **For manual starter engines:** Pull the starter rope slowly until resistance is felt, then pull the cord rapidly to avoid kickback. **For electric starter engines:** Turn key ignition right until the engine starts. Do not crank for more than ten (10) seconds at a time if the engine does not immediately start.
5. Disengage the choke, if necessary.

## Cutting Operation

1. Press blade lever down to engage the blade. Allow the blade to spin up to normal operating speed before engaging drive controls.
2. Begin vehicle drive. For mechanical models, use a combination of the Drive Lever and the Direction Shifter to maneuver the unit. For hydro-drive models, use a combination of the forward (right) and reverse (left) levers to maneuver the unit.  
Best performance is achieved when cutting in **dry** conditions. The quality of cut is related to ground speed. Cutting should be done at low ground speed under most conditions, especially for thick brush. Fast speeds should only be used in areas where brush is thin and short. If the quality of cut is not to your satisfaction, slow down!

## Shutting Down the Unit

1. Release the blade lever to stop blade activity.
2. Release the drive lever to cease motion and park the unit.
3. Move the throttle lever up to the slowest position possible.
4. **Electric units:** Turn the engine key switch to the "OFF" position.

## Pushing the Unit by Hand

1. Release the blade lever to stop cutting activity. Release the drive lever to stop motion. **Mechanical-Drive models:** Place the direction shifter into the N (neutral) position. See the Direction Shifter section for more information.

2. Shut down the unit. Mechanical-drive models can now be pushed by hand.
3. **Hydro-Drive models:** Locate the free wheel lever. See the Free Wheel Lever section for more information. Pull out the free wheel lever to disengage the transaxle. You will now be able to push hydro-drive models unit by hand.

# Maintenance Procedures

## Clearing a Clogged Deck

### DANGER

The blade is sharp! To avoid injury, **always** wear heavy-duty gloves when performing maintenance on the cutting deck.

1. Park the unit on a flat, level surface. Turn off the engine and disconnect the spark plug wire.
2. Lift the unit so that the underside can be safely accessed.

### CAUTION

The unit is heavy! Be sure the unit is properly supported before performing maintenance.

3. Locate and clear the clog from the cutting deck. Be mindful of the blade!

## Inspecting and Sharpening the Blade

1. Follow instructions listed in the Replacing the Blade section to remove the blade.

### CAUTION

**Laceration hazard.** The blade is sharp! Always wear heavy-duty gloves when handling or working near the blade.

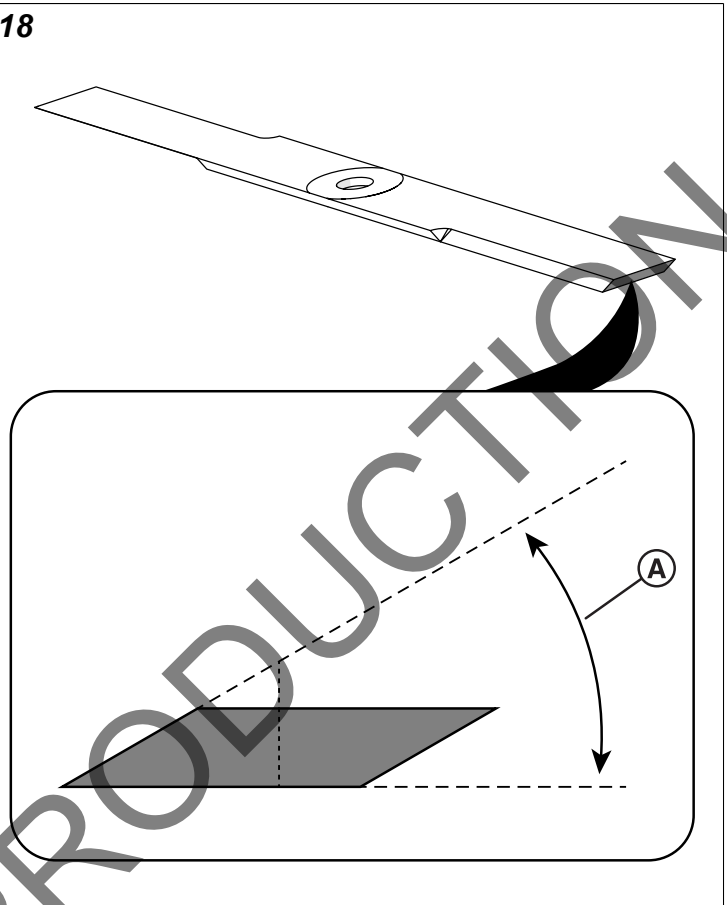
2. Inspect the blade. Remove any dried grass, branches, or other debris. Discard the blade if any bends, cracks, or other damage is observed.
3. If the blade cutting edge is not sharp or has nicks, sharpen the cutting edge.

### CAUTION

**Thrown object and fire hazard.** Grinding the blade throws sparks and fine metal particles that are capable of igniting gasoline and other flammable vapors, and can injure unprotected eyes. Be sure all flammable materials are cleared from the area where grinding will occur. Always wear safety glasses or goggles when grinding the blade.

4. Use a grinder, hand file, or electric blade sharpener to sharpen the cutting edge. To ensure balance, remove an equal amount of material from the cutting edge of each end of the blade. Be sure to maintain a cutting edge angle (A, Figure 18) of 30 degrees.

18

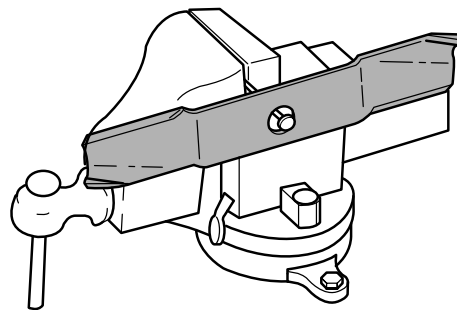


5. Be sure the blade is balanced before installing. Clamp a nail in a bench vise. Hang the blade on the nail, and position the blade horizontally as shown in Figure 19.

### CAUTION

An unbalanced blade can create excessive vibration and damage to the unit. Be sure the blade is balanced before installing!

19



6. Check the balance of the blade. If either end of the blade moves downward, the end that moves downward is heavier than the other end. Sharpen the heavy end until balance is achieved.
7. Repeat the process until the mower blade remains in the horizontal, level position. Reinstall the blade.

## Replacing the Blade

### DANGER

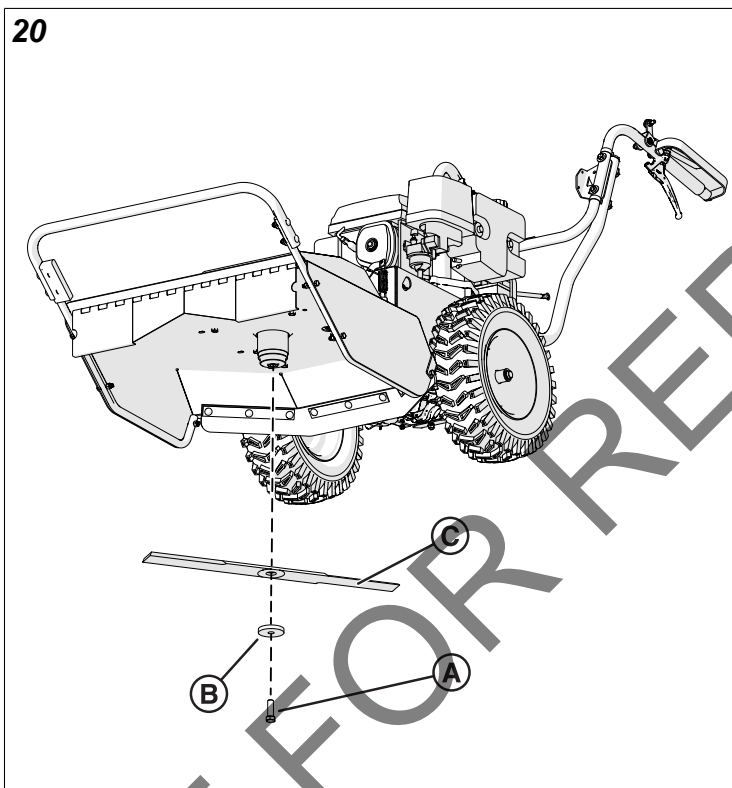
The blade is sharp! To avoid injury, **always** wear heavy-duty gloves when inspecting or replacing the blade.

1. Park the unit on a flat, level surface. Turn off the engine and disconnect the spark plug wire.
2. Lift the unit so that the underside and blade can be safely accessed.

### DANGER

The unit is heavy! Be sure the unit is properly supported before performing maintenance.

3. Block the blade to prevent it from rotating during removal.
4. Remove the blade bolt (A, Figure 20) and friction washer (B), then remove the blade (C).



5. Install the replacement blade. Secure it with a new friction washer and new blade bolt. Torque the blade bolt to 40 ft-lb.
6. Reconnect the spark plug wire.

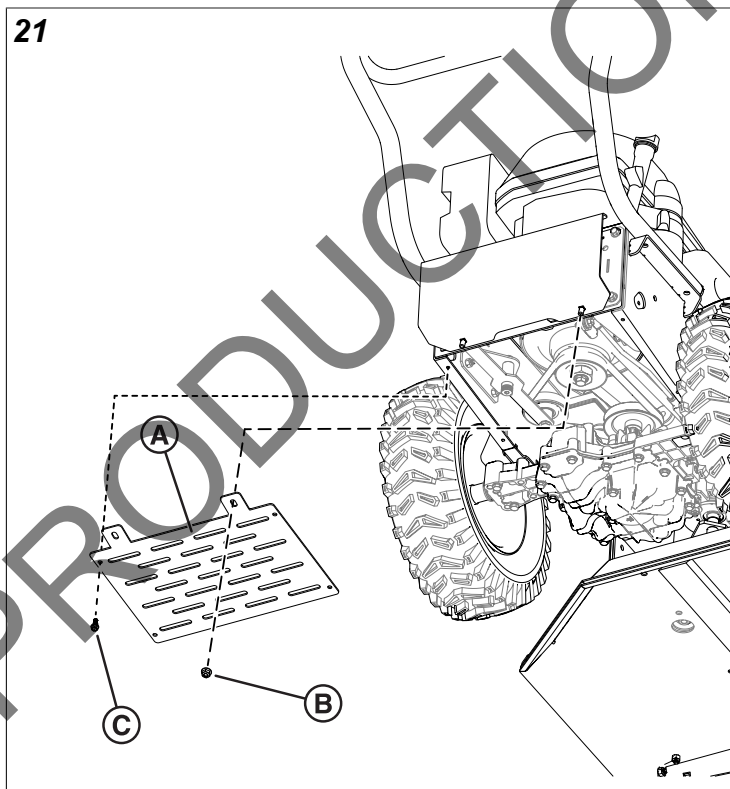
## Replacing the Drive Belt

Fits: Hydro-drive models.

### CAUTION

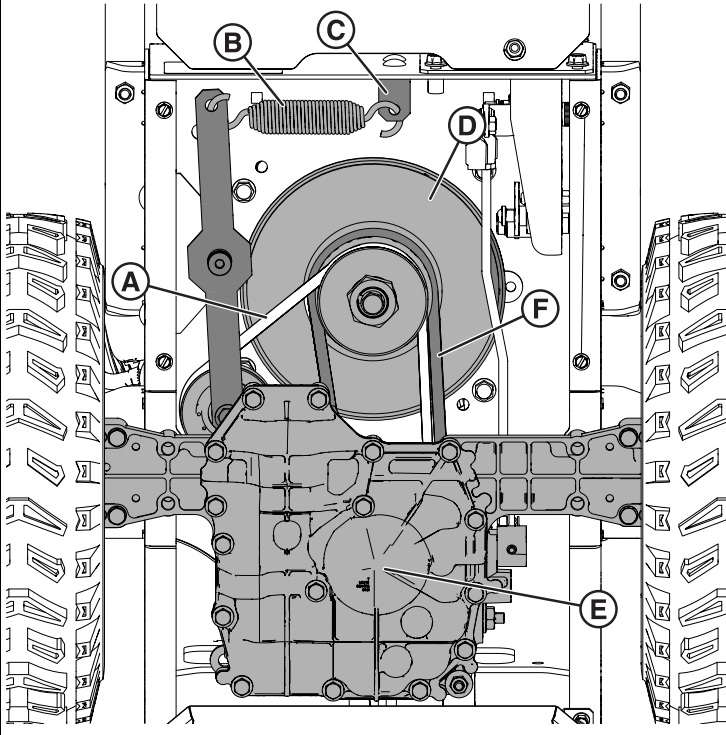
The drive belt is under constant tension by the drive idler arm. Stored energy may be present. Use caution when performing maintenance.

1. Park the unit on a flat, level surface. Turn off the engine and disconnect the spark plug wire.
2. Safely lift and support the unit to allow access to the underside of the unit.
3. To access the belt, remove the lower belt guard (A, Figure 21). First, loosen and remove the two nuts (B). Then loosen and remove the four screws (C) that secure the belt guard.



4. To release the tension on the drive belt (A, Figure 22), detach the drive belt extension spring (B) from the spring bracket (C). Figure 22 displays the drive system when viewed from below.

22



5. Walk the drive belt (A) off of the clutch (D).

### CAUTION

The belt and clutch can create a pinch-point. Use caution when performing maintenance.

6. Slip the belt (A) off the transaxle (E) pulley. The transaxle pulley is hidden above the transaxle in Figure 22.
7. Install a new drive belt. Reverse steps 4-6. Be sure the new drive belt is seated properly in the clutch and transaxle pulley. Be sure the belt does not bend over the transaxle fan blades. Be sure the blade belt (F) remains correctly installed.
8. Reinstall the lower belt guard.

## Replacing the Drive Belt

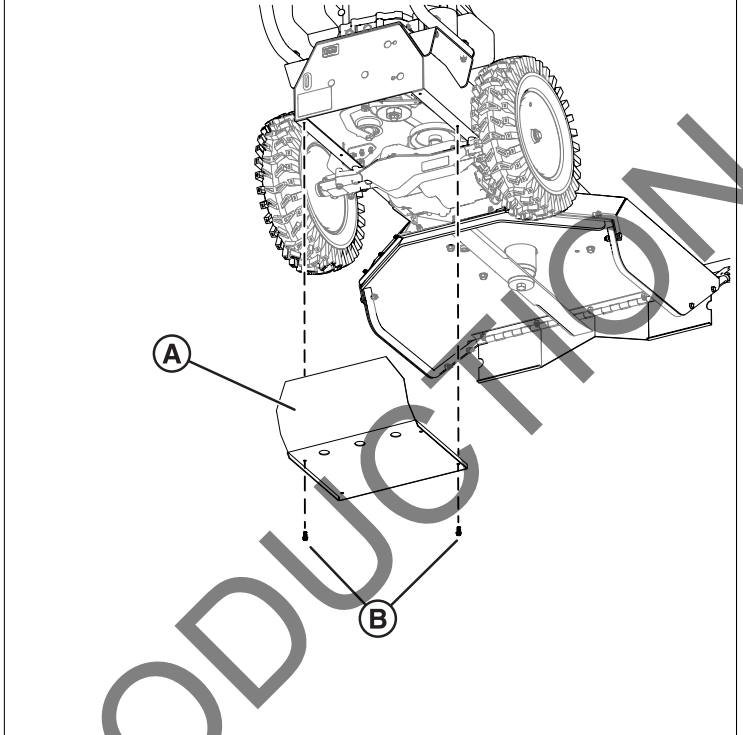
Fits: Mechanical drive models.

### CAUTION

The drive belt is under constant tension by the drive idler arm. Stored energy may be present. Use caution when performing maintenance.

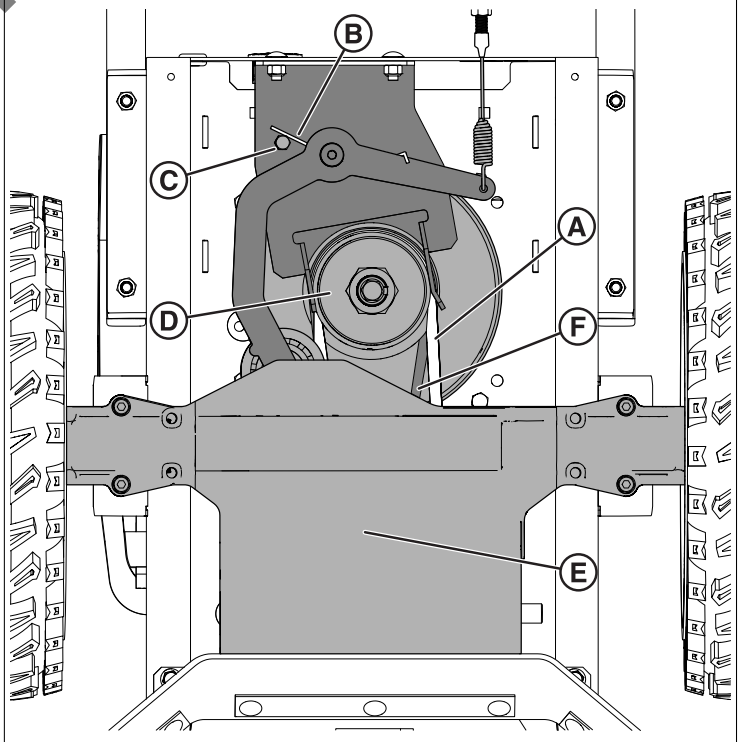
1. Park the unit on a flat, level surface. Turn off the engine and disconnect the spark plug wire.
2. Safely lift and support the unit to allow access to the underside of the unit.
3. To access the belt, uninstall the lower belt guard (A, Figure 23). Loosen and remove the four screws (B) that secure the belt guard.

23



4. To release the tension on the drive belt (A, Figure 24), detach the drive belt spring (B) from the spring bolt (C). Figure 24 displays the drive system when viewed from below.

24



5. Walk the drive belt (A) off the clutch (D).

## CAUTION

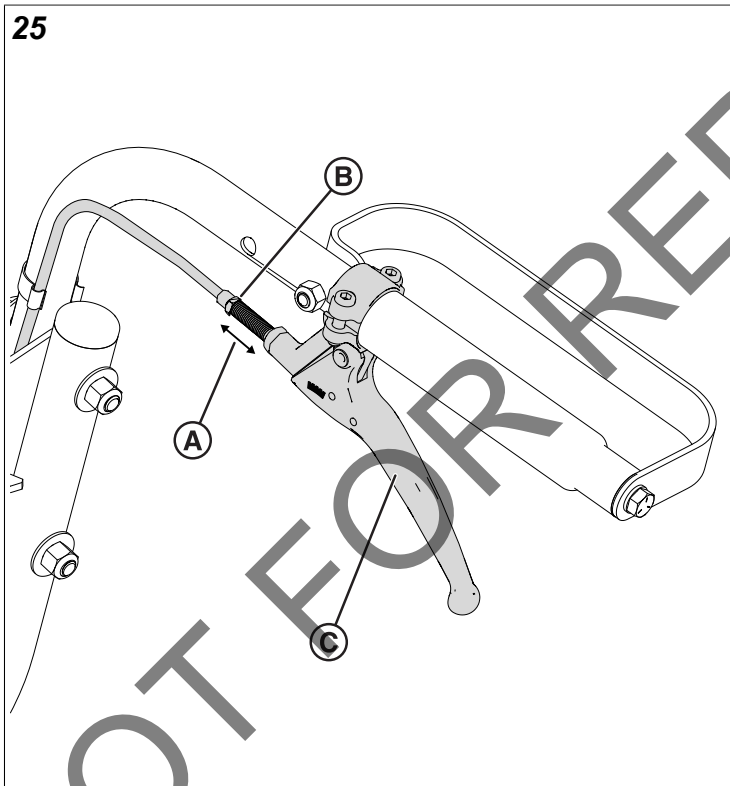
The belt and clutch can create a pinch-point. Use caution when performing maintenance.

6. Slip the belt off the transaxle (E) pulley. The transaxle pulley is hidden above the transaxle in Figure 24.
7. Install a new drive belt. Reverse steps 4-6. Be sure the new drive belt is seated properly in the clutch and transaxle pulley. Be sure the belt does not bend over the transaxle fan blades. Be sure the blade belt (F) remains correctly installed.
8. Reinstall the lower belt guard.

## Adjusting Drive Cable Tension

**Fits:** Hydro-drive models.

1. Park the unit on a flat, level surface. Turn off the engine and disconnect the spark plug wire.
2. To adjust cable tension, adjust the barrel length (A, Figure 25). To adjust the barrel length, loosen the barrel nut (B) by hand. Engage the drive lever (C) to desired tension.



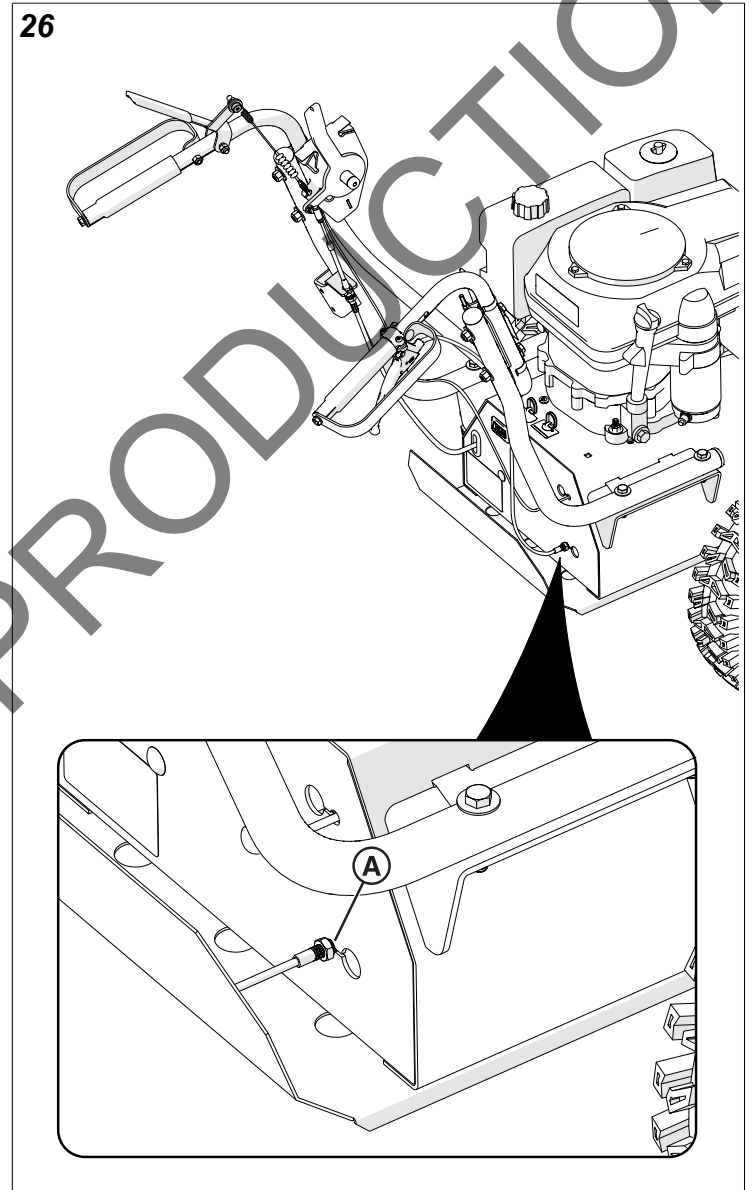
*Note:* Do not apply excessive tension to the cables. This can lead to damage or premature failure.

3. Tighten the barrel nut.
4. Apply lithium grease to the slot in the lever where the cable sits. This step will prevent damage and premature failure.

## Adjusting Drive Cable Tension

**Fits:** Mechanical-drive models.

1. Park the unit on a flat, level surface. Turn off the engine and disconnect the spark plug wire.
2. Locate the drive cable adjustment nut (A, Figure 26). Tighten or loosen the nut to adjust drive cable tension. Be sure to leave enough slack in the cable to allow the drive lever to engage.



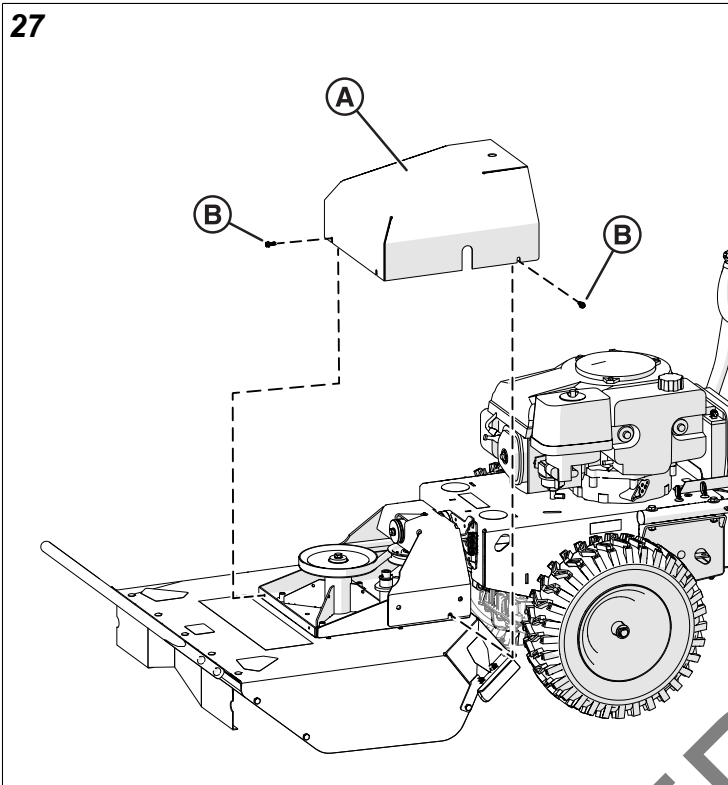
3. Reconnect the spark plug wire. Start the unit and engage the drive handle to test cable adjustment. If the drive lever continues to slip or operates incorrectly, shut down the unit, and do not operate the unit until proper repair has been performed. Contact an authorized service dealer.

## Replacing the Blade Belt

**Fits:** Hydro-drive models.

1. Park the unit on a flat, level surface. Turn off the engine and disconnect the spark plug wire.

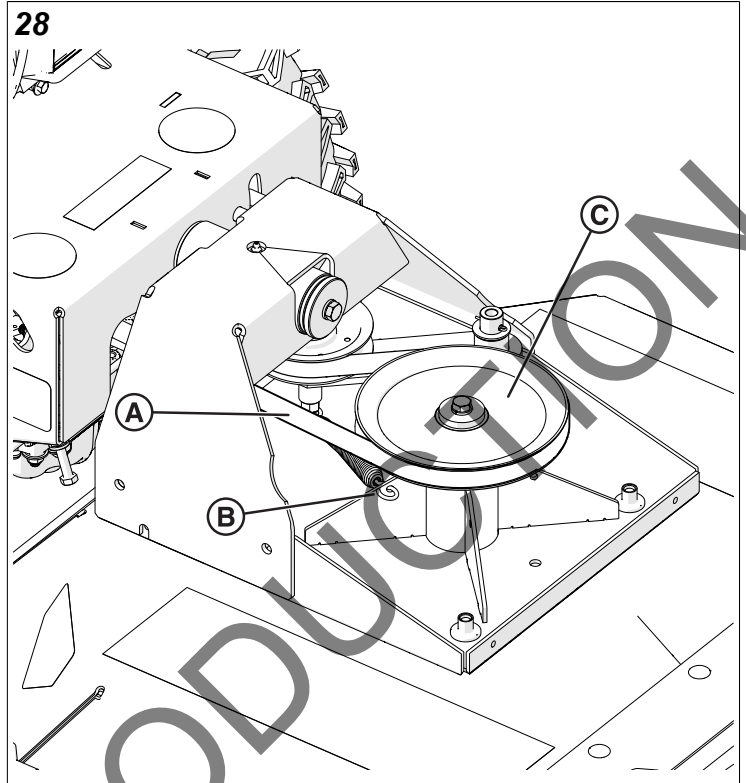
2. Refer to the Replacing the Drive Belt section to remove the drive belt.
3. Remove the deck cover (A, Figure 27). Loosen and remove the four screws (B) that secure the deck cover, and then remove the deck cover.



4. Relieve tension on the blade belt (A, Figure 28). Disconnect the blade extension spring (B) from its position under the blade pulley (C).

**CAUTION**

The belt is under constant tension by the idler arm. Stored energy may be present. Use caution when performing maintenance.



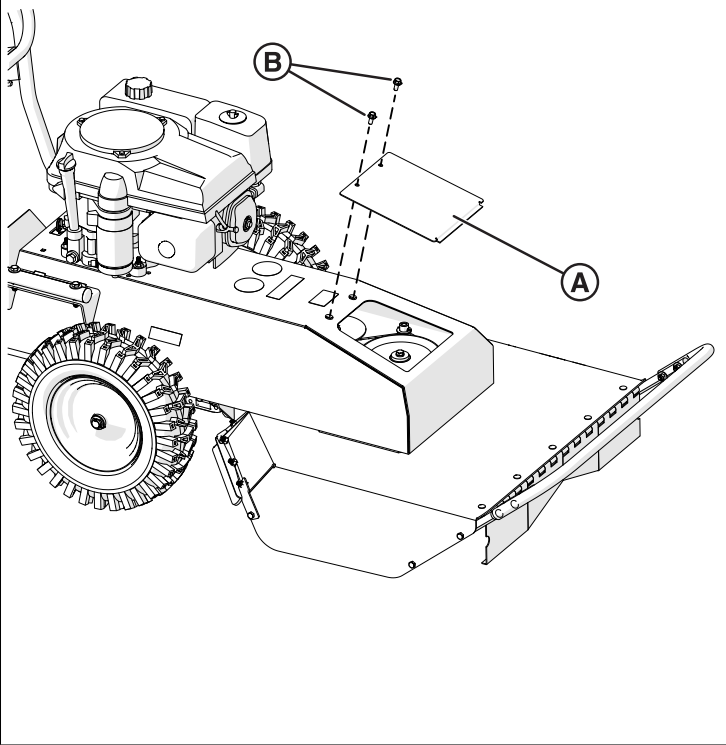
5. With blade belt tension relieved, walk the blade belt (A) off of the blade pulley (C). Direct the belt towards the back of the unit.
6. Return to the back of the unit. Slip the belt off of the clutch, remove the belt from the unit completely.
7. Install a new blade belt. First, install the blade belt onto the clutch. Then install the blade belt onto the blade pulley. Reinstall the blade extension spring. Reinstall the deck cover.
8. Reinstall the drive belt. Reinstall the lower belt guard. Reconnect the spark plug wire.

## Replacing the Blade Belt

**Fits:** Mechanical drive models

1. Park the unit on a flat, level surface. Turn off the engine and disconnect the spark plug wire.
2. Refer to the Replacing the Drive Belt section to remove the drive belt.
3. Uninstall the deck cover (A, Figure 29). Loosen and remove the two screws (B) that secure the deck cover, and then remove the deck cover.

29

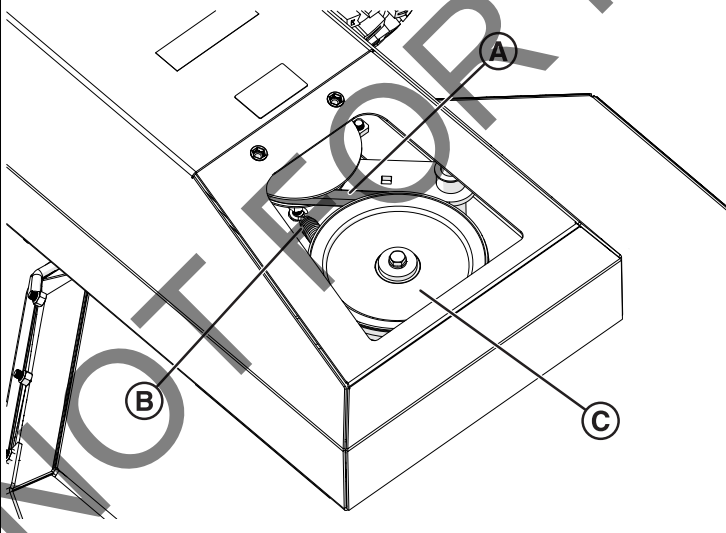


4. Release tension on the blade belt (A, Figure 30). Disconnect the blade extension spring (B) from its position under the blade pulley (C).

**CAUTION**

The belt is under constant tension by the idler arm. Stored energy may be present. Use caution when performing maintenance.

30



5. With blade belt tension relieved, walk the blade belt (A) off of the blade pulley (C). Direct the belt towards the back of the unit.
6. Return to the back of the unit. Slip the belt off of the clutch, remove the belt from the unit completely.

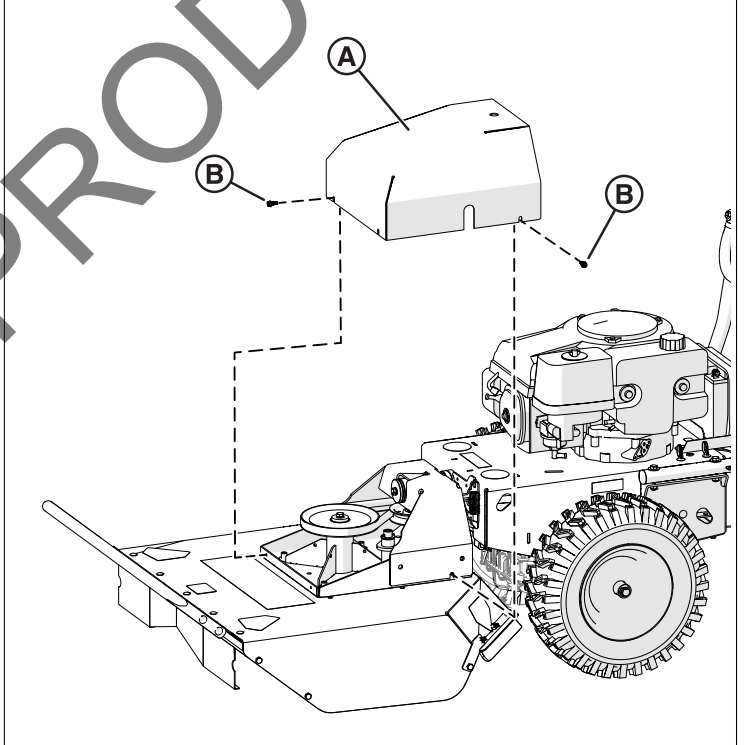
7. Install a new blade belt. First, install the blade belt onto the clutch. Then install the blade belt onto the idler pulley and blade pulley. Reinstall the blade extension spring. Reinstall the deck cover.
8. Reinstall the drive belt. Reinstall the lower belt guard. Reconnect the spark plug wire.

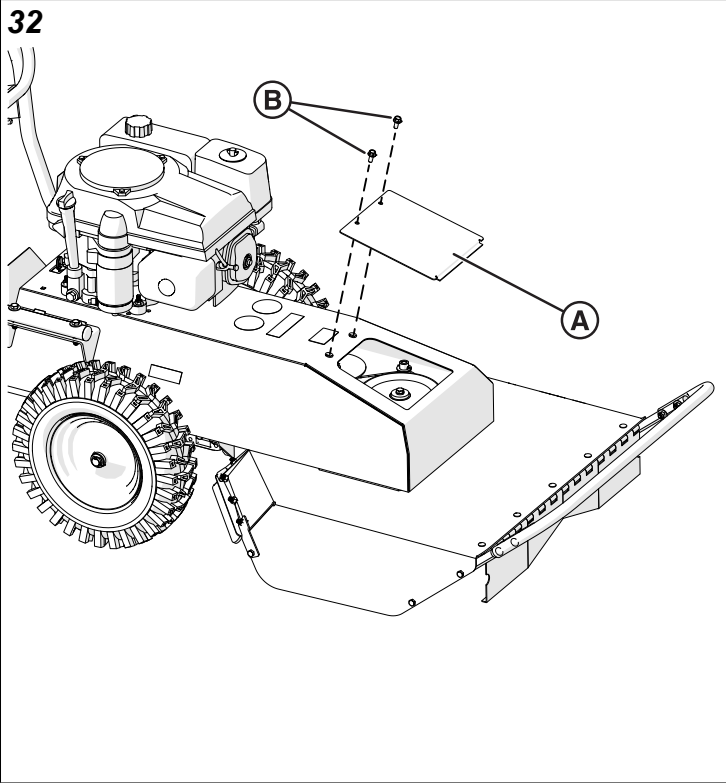
**Adjusting the Blade Belt Tension**

*Note:* The blade belt is under constant tension by the blade idler arm. Stored energy may be present. Use caution.

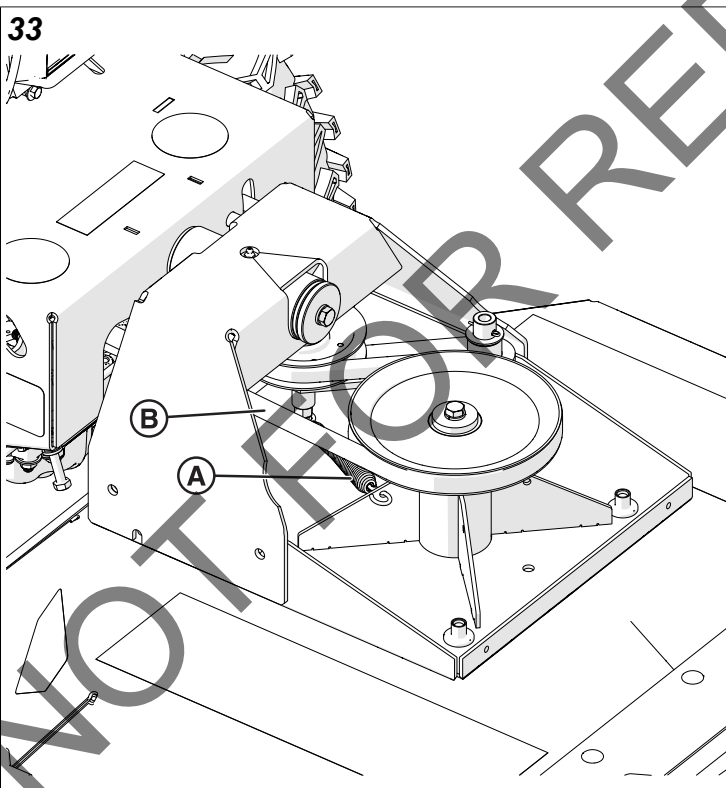
1. Park the unit on a flat, level surface. Turn off the engine and disconnect the spark plug wire.
2. To access the blade belt, remove the deck cover (A, Figure 31 and 32). Loosen and remove the four screws (B) securing the deck cover to the deck. Set aside to reinstall after adjusting belt tension. Determine if tension problem is due to the the blade idler spring or the blade belt itself.

31





3. If the blade belt tension is too loose, inspect the condition of the blade idler spring (A, Figure 33). Replace the spring if necessary to increase tension on the blade belt.



4. Inspect the condition of the belt (B, Figure 33). Replace the blade belt if worn or damaged. See *Replacing the Blade Belt* for more information.
5. Reinstall the deck cover. See Step 2.
6. Reconnect the spark plug wire.
7. Check belt tension by operating the unit under the same conditions that caused belt slippage. If belt continues to slip, contact an authorized service dealer.

## Battery Care

**Fits:** Electric units only

Proper battery care can extend its life. Follow these recommendations to ensure your battery's best performance and long life:

- Operate the unit for 40-minute or greater time increments to maintain proper battery charge.
- Do not allow the battery charge to get too low. Do not continue to crank the engine if the battery is low on charge. Cease operation and charge the battery.
- Do not overcharge the battery. When a battery is fully charged and the charger remains on, heat can be generated. Such heat can harm the battery. A fully charged battery will read 12V-13.2V with a voltmeter.
- Store an unused battery in a dry area that does not freeze. Charge the unused battery every 4-6 weeks. If the battery loses its charge, use a charger to recharge it. Use a charge that has no more than twelve (12) volts output at no more than two (2) amps.
- At 1 amp, the battery may need to charge for as long as 48 hours.
- At 2 amps, the battery may need to charge for as long as 24 hours.
- When the battery is 100% charged, first disconnect the charger from the outlet. Then, disconnect the battery from the charger.

**Note:** Using the recoil starter and running the engine will not recharge a dead or significantly low charged battery.



## Periodic Maintenance

Maintenance Operation	Every Use	Every 25 Hrs	Every 50 Hrs	Every 100 Hrs
Inspect for worn or damaged parts.	X			
Check for excessive vibration.	X			
Inspect for loose parts.	X			
Sharpen the blade.		X		
Inspect belts for wear.		X		
Lubricate throttle control cable and linkage.		X		
Check blade clutch cable tension.			X	
Apply anti-seize compound to rear axles.			X	
Replace blade drive and transaxle drive belts.				X

## Troubleshooting

Problem	Possible Cause	Corrective Action
Engine will not start.	Throttle is set to Slow/Stop position. Out of gasoline. Old or contaminated gasoline. Spark plug wire disconnected. Dirty air filter.	Move throttle to "FAST" position. Fill gas tank. Drain gas tank and fill with fresh gasoline. Connect spark plug wire. Clean or replace air filter.
Starter does not turn (Electric units only).	Battery low or dead. Battery cable disconnected or corroded. Defective starter switch or wiring harness. Defective starter.	Charge or replace battery. Clean and secure battery terminals. Replace starter switch or wiring harness. Replace starter.
Will not cut or cutting performance is poor.	Blade cable tension incorrect. Dull blade. Clogged deck. Excessive debris built up on or blocking blade. Engine RPM set too low.	Adjust blade cable tension. Sharpen or replace blade. Unclog deck. Clear debris from blade area. Check engine RPM.
Abnormal vibrations.	Blade loose or out of balance. Engine loose. Blade drive belt worn.	Check blade for tightness. Rebalance if necessary. Check engine mounting bolts. Replace blade drive belt.
Belt slips or smokes.	Belt tension too low. Belt worn or stretched. Pulleys worn or damaged.	Adjust belt tension. Replace belt. Replace pulleys.
Clutch slips or squeals.	Drive cable tension too low. Clutch worn or damaged.	Adjust the drive cable tension. Replace worn or defective clutch assembly parts.
Blade brake will not engage.	Inadequate slack in clutch cable. Clutch worn or damaged.	Adjust clutch cable. Replace clutch/brake assembly.
Transaxle will not engage.	Drive lever(s) not engaging clutch. Drive cable(s) defective. Drive belt worn or broken.	Adjust drive cable(s). Replace cable(s). Replace drive belt.
Transaxle will not disengage.	Drive cable out of adjustment.	Adjust drive cable.

Problem	Possible Cause	Corrective Action
Engine will not turn over.	Defective blade clutch. Engine problem.	Replace clutch. Contact an authorized servicing dealer for your engine.

## Specifications

### Briggs and Stratton

Fits Units:	BC2600ICH BC2600ICHC BC2600ICHFT BC2600ICM
Engine Brand:	Briggs and Stratton
Engine Model:	21R7720074F1
Oil Capacity	1.5 qt (1.42 L)

### Honda Pull-Start

Fits Units:	BC2601HH BC2601HHC BC2601HHFT BC2601HM BC2601HMFT
Engine Brand:	Honda
Engine Model:	GXV390UT1 DAXB
HP	10.1 HP (7.6 KW)
Oil Capacity	1.2 qt (1.14 L)

### Honda Electric-Start

Fits Units:	BC2601HEBH BC2601HEBHFT
Engine Brand:	Honda
Engine Model:	GXV390UT1 DEX3
Oil Capacity	1.2 qt (1.14 L)

## Dimensions

Fits Units:	BC2600ICM BC2600ICH BC2600ICHFT BC2601HM BC2601HMFT BC2601HHFT
Length:	81.5" (2.07 m)
Width:	30.75" (0.78 m)
Height:	48" (1.22 m)

Fits Units:	BC2600ICHC BC2601HHC
Length:	80" (2.03 m)
Width:	31" (0.78 m)

Height:	48" (1.22 m)
---------	--------------

Fits Units:	BC2601HEBH BC2601HEBHFT
Length:	83" (2.11 m)
Width:	31" (0.78 m)
Height:	48" (1.22 m)

## Weights

Weight:	Fits Units:
316 lb ( kg)	BC2600ICM
317 lb ( kg)	BC2601HM BC2601HMFT
325 lb ( kg)	BC2600ICH BC2600ICHFT BC2601ICHC BC2601HH BC2601HHC
335 lb ( kg)	BC2601HEBH BC2601HEBHFT
362 lb ( kg)	BC2601HHFT

NOT FOR REPRODUCTION

