



FINISH MOWERS

MS600, MS720, MT720, & MU720

FINISH MOWERS

	MS600	MS720	MT720	MU720
Stock Code	39.55110	39.55111	39.55112	39.55114
Discharge Type	Side	Side	Side, 6" Offset	Rear
Width of Cut	60 Inches (152 cm)	72 Inches (183 cm)	72 Inches (183 cm)	72 Inches (183 cm)
Number of blades/type	3 x 21 High-lift	3 x 25 High-lift	3 x 25 High-lift	3 x 25 Low-lift
Cutting Height Range	1-5 Inches (25-127 mm)	1-5 Inches (25-127 mm)	1-5 Inches (25-127 mm)	1-5 Inches (25-127 mm)
Cutting Height Increments	Positions 1-3 (1/8") (3 mm) Positions 4-18 (1/4") (6 mm)	Positions 1-3 (1/8") (3 mm) Positions 4-18 (1/4") (6 mm)	Positions 1-3 (1/8") (3 mm) Positions 4-18 (1/4") (6 mm)	Positions 1-3 (1/8") (3 mm) Positions 4-18 (1/4") (6 mm)
Deck Construction	High-strength steel	High-strength steel	High-strength steel	High-strength steel
Spindles/Pulleys	Field serviceable with bottom grease fittings	Field serviceable with bottom grease fittings	Field serviceable with bottom grease fittings	Field serviceable with bottom grease fittings
Anti Scalp Rollers	3 Front	3 Front	3 Front	3 Front

OPTIONAL ACCESSORIES

Mulch Kit	70.8165	70.8164	70.8164	70.8167
Flat Free Wheel (2 Required)	53.0148	53.0148	53.0148	53.0148
Hydraulic Flip Up Kit	70.8214	70.8214	70.8214	70.8214

DIMENSIONS

Length	62 5/8 inches (159 cm)	66 1/8 inches (168 cm)	66 1/8 inches (168 cm)	60 5/8 inches (154 cm)
Width	74 5/8 inches (190 cm)	86 1/2 inches (220 cm)	86 1/2 inches (220 cm)	72 7/8 inches (185 cm)
Height	18 1/4 Inches (46 cm)	18 1/4 Inches (46 cm)	18 1/4 Inches (46 cm)	18 1/4 Inches (46 cm)
Weight	490 lbs (222 kg)	550 lbs (249 kg)	550 lbs (249 kg)	540 lbs (245 kg)
Shipping Weight	660 lbs (299 kg)	720 lbs (327 kg)	720 lbs (327 kg)	710 lbs (322 kg)
Shipping Dimensions (LWH)	57 x 65.5 x 25.5 inches (26 x 30 x 12 cm)	60.5 x 77.75 x 25.5 inches (27.4 x 35 x 12 cm)	60.5 x 77.75 x 25.5 inches (27.4 x 35 x 12 cm)	60.5 x 77.75 x 25.5 inches (27.4 x 35 x 12 cm)

All specifications subject to change without notice or obligation

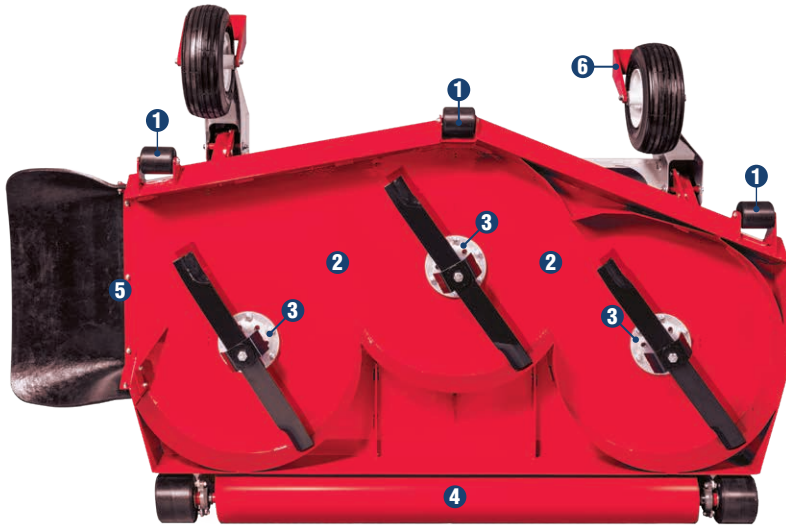
HYDRAULIC FLIP-UP KIT

The Hydraulic Flip-Up kit makes deck clean-up quick and effortless. Using the SDLA controls, you can flip your mower deck up from the seat!



FEATURES

5" deep deck shell increases airflow & performance, and made from high strength steel for exceptional abrasion and impact resistance. Check out these other game changing features:



BOTTOM VIEW

1. Anti-Scalp Rollers

Anti-scalp rollers help protect the turf

2. Ultra Smooth Deck Shell

Cleaner, smoother deck shell, helps prevent grass buildup

3. Tougher Spindles

Ventrac's best spindle yet featuring 6 bolt mount, 5/8" retaining bolt, and double row angular contact bearings

4. Stripe Roller

Smoother ride, increased bearing life, and bolder more pronounced stripes

5. Larger Discharge Opening

Large discharge opening improves airflow and cut quality

6. Offset Trim Wheel

Improved quality of cut and better line of sight trimming

7. Low Profile Bearing Caps

Reach under bushes and pine trees without worry of losing the caps

8. Improved Carrier Frame

Strengthened carrier frame arms for increased durability

9. Rubber Discharge Chute

Easy on landscape, will not dent like steel**

10. Improved Casters

Tapered roller bearings and larger diameter pivot bolt provide smoother operation and longer life

11. Tool-Free Belt Tensioner

Our NEW tool-free belt tensioner makes maintenance quick and easy

12. Hydraulic Flip-Up

Optional Hydraulic Flip-Up makes deck clean up quick and effortless (Manual Flip-Up standard)

13. Heavier Roller Mounts

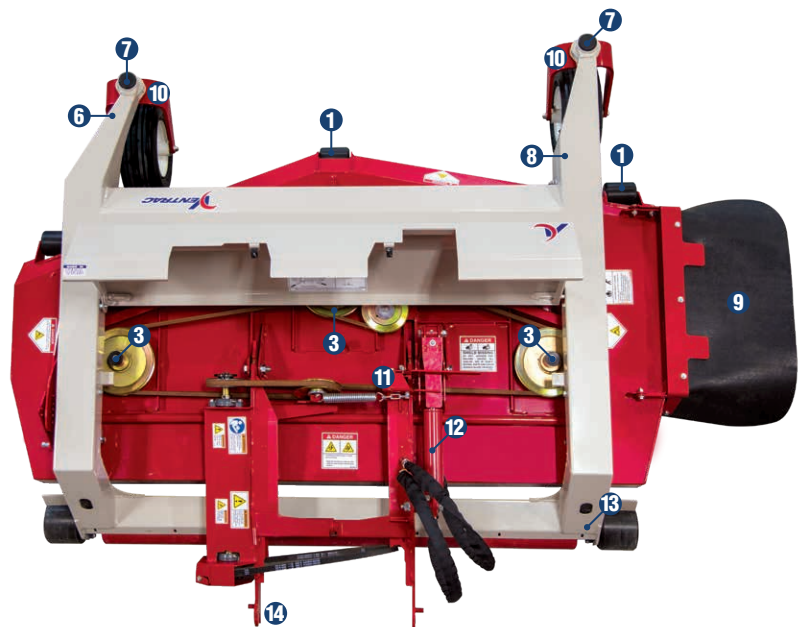
Reinforced rear roller mounts to help carry the load for the long haul

14. Ventrac Mount System

Allows for quick connection of the mower deck with no tools or heavy lifting

15. One Lever Height Adjustment

Broad range of height settings from 1"-5" in 1/4" increments



TOP VIEW

**MU720 does not have a discharge chute



VENTRAC

