

Parts Manual

# 4520P

Serial Number 4520P-AR01001--





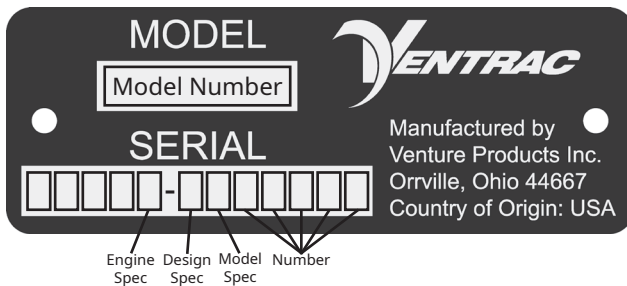
500 Venture Drive  
Orrville Oh 44667  
www.ventrac.com

View all manuals



Visit [ventrac.com/manuals](http://ventrac.com/manuals) for the latest version of this parts manual. A downloadable operator's manual is also available.

### Serial Number Description



### Engine

**P Kawasaki 31 HP FD851D-MS01R Gas LC**

### Notes

- If any component requires replacement, use only original Ventrac replacement parts.
- When ordering new components, be sure to order all required safety decals. All current safety decals must be affixed to the replacement components prior to installation of the component.

# TABLE OF CONTENTS

<b>ELECTRICAL</b>	<b>PAGE 7</b>
Wiring Diagram Reference Key (Serial # 01001-02232).....	7
Wiring Diagram - Rear Harness (Serial # 01001-02232).....	8
Wiring Diagram - Front Harness (Serial # 01001-02232).....	9
Wiring Diagram - Engine Harness (Serial # 01001-02232).....	10
Wiring Diagram Reference Key (Serial # 02233-).....	11
Wiring Diagram - Rear Harness (Serial # 02233-).....	12
Wiring Diagram - Front Harness (Serial # 02233-).....	13
Wiring Diagram - Engine Harness (Serial # 02233-).....	14
Wiring Diagram - Optional Female Socket & Male Plug.....	15
Fuse Panel Layout (Serial # 01001-02232).....	16
Fuse Panel Layout (Serial # 02233-).....	17
Tractor Control Module.....	18
Battery, Power Cables, & Ground Cables.....	20
Front Fuse Panel (Serial # 01001-02232).....	22
Front Fuse Panel (Serial # 02233-).....	24
Rear Fuse Panel (Serial # 01001-02232).....	26
Rear Fuse Panel (Serial # 02233-).....	28
Power Relay Module.....	30
RPM Sensor.....	32
Speedometer Sensor (Serial # 01001-02652).....	34
Speedometer Sensor (Serial # 02653).....	36
<b>HYDRAULICS, AXLES, &amp; WHEELS</b>	<b>PAGE 38</b>
Hydraulic Diagram.....	38
Hydraulic Fitting O-Ring Chart.....	40
Hydraulic Oil Tank.....	42
Hydraulic Steering System.....	44
Front Hitch Hydraulic Lift.....	46
Auxiliary Hydraulic Quick Couplers.....	48
Front Hydraulic Motor Mount & Fittings.....	50
Rear Hydraulic Motor Mount & Fittings.....	52
Hydraulic Pump Mount & Fittings.....	54
Hydraulic Oil Cooler & Fan.....	56
Hydraulic Drive Circuit Hoses.....	58
Pump Supply Line & Main Hydraulic Filter.....	60
Hydraulic Implement Circuit Supply & Return (Serial # 01001-03324).....	62
Hydraulic Implement Circuit Supply & Return (Serial # 03325-).....	64
Front Transaxle & Wheels.....	66
Rear Transaxle & Wheels.....	68
Peerless Transaxle (51.0087).....	70
Danfoss Hydraulic Motor (21.0149).....	72
Danfoss Hydraulic Pump (21.0148).....	74
2 Spool Valve (23.0201).....	76
3 Spool Valve (23.0202).....	78
<b>ENGINE</b>	<b>PAGE 80</b>
4520P Kawasaki Gas Engine.....	80
4520P Kawasaki Gas Engine (Continued).....	82
4520P Kawasaki Gas Engine Mount.....	84

# TABLE OF CONTENTS

---

4520P Kawasaki Gas PTO Clutch .....	86
4520P Kawasaki Gas Drive Shaft .....	88
4520P Kawasaki Gas Muffler .....	90
4520P Kawasaki Gas Cooling System.....	92
4520P Kawasaki Gas Air Intake.....	94
4520P Kawasaki Gas Fuel System.....	96
<b>FRAMES / SHEET METAL</b>	<b>PAGE 98</b>
Lower Rear Frame .....	98
Seat Box & Upper Rear Frame .....	100
Left Seat Box Panels.....	102
Right Seat Box Panels .....	104
Roll Bar.....	106
Standard Rear Hitch .....	108
Rear Fenders & Battery Compartment.....	110
Standard Seat Assembly.....	112
Front Frame, Frame Connector Bracket, Hose Retainer.....	114
Front Fenders & Foot Pegs.....	116
Center Pivot & Connector Link.....	118
Front Hitch.....	120
Grill & Headlights .....	122
Hood.....	124
Dash, Dash Brackets, Decals, & Switches .....	126
<b>CONTROLS &amp; LINKAGE</b>	<b>PAGE 128</b>
SDLA Control Levers.....	128
SDLA Linkage .....	130
Neutral Assist Lever & Neutral Switch .....	132
Parking Brake Handle, Brake Rod, & Shields .....	134
Parking Brake Linkage & Brake Drum .....	136
High/Low Range Shift Linkage.....	138
PTO Idler Pulley & Idler Arm .....	140
PTO Belt Tension Linkage.....	142
Weight Transfer .....	144

# TABLE OF CONTENTS

---

<b>OPTIONS</b>	<b>PAGE 146</b>
3 Point Hitch Frame (Kit #70.4160).....	146
3 Point Hitch Arms (Kit #70.4160).....	148
3 Point Hitch Hydraulics (Kit #70.4160) .....	150
3 Point Hitch Hydraulic Diagram (Kit #70.4160) .....	152
Rear Hydraulic Valve (Kit# 70.4165) .....	154
Rear Hydraulic Valve Diagram (Kit# 70.4165) .....	156
70.4098 Wheel Extension Kit.....	158
70.4163 Foot Control Kit .....	160
70.4108 Raised Platform Kit.....	162
70.4105 12 Volt Rear Plug Kit (Serial # 01001-02232) .....	164
70.4179 12 Volt Rear Plug Kit (Serial # 02233-).....	166
70.4120 Horn Kit.....	168
70.4102 Kubota Engine Heater Kit .....	170
70.4140 Slope Indicator Kit .....	172
70.4144 Rear Weight Bar Kit .....	174
Dual Wheels .....	176
70.4169 Canopy Kit.....	178
70.4167 Suspension Seat Kit.....	180

**Blank Page**

# ELECTRICAL

## Wiring Diagram Reference Key (Serial # 01001-02232)

### Wire Reference Key

#### Harness Section Identifier

A = 32.0219 - Harness, Rear  
B = 32.0244 - Harness, Dash  
C = 32.0221 - Harness, Front  
C = 32.0234 - Harness, Wire 4520 Hood  
D = 32.0226 - Harness, B&S Engine  
E = 32.0228 - Harness, Kawasaki Engine  
F = 32.0223 - Harness, Kubota Gas  
G = 32.0227 - Harness, Kubota Diesel  
H =  
I =  
J = 32.0114 - Harness, Kit - 12v Front  
K = 32.0113 - Harness, Kit - 12v Rear  
L = 32.0225 - Harness, Kit - 12v Dual Hydraulic  
M =  
N = 32.0121 - Harness, Kit - PTO Remote  
O = 32.0115 - Harness, Kit - Horn  
P = 32.0122 - Harness, Kit - Backup Alarm  
Q = 32.0118 - Harness, Kit - Directional  
R = 32.0117 - Harness, Kit - Strobe Light  
S = 32.0231 - Harness, Kit - Work Light  
U = 32.0166 - Harness, Kit - Slope Indicator

\*@ = 32.0160 - Harness, Kubota WG972  
" ^ = 32.0159 - Harness, Kawasaki FD851D Fused

\* Actual wires not labeled on tractor harness

#### Wire Color & Circuit Type

Black = Ground  
Dark Blue = Pre-Heat  
Lt Blue = Safety Circuit  
Brown = Engine Run / Kill  
Gray = 12v Aux / Horn power  
Green = Start/Speed/Directional  
Lt Green = 12 Aux  
Pink = Alarm  
Purple = PTO  
Red = Power  
Tan = RPM  
White = Power  
Yellow = Light/Directional

----- = \*Black Wire  
————— = White Wire  
|||———— = Ground  
● = Splice or Connection

\* All black wires that are part of the wire harness are part of the ground circuit. However, some components such as lights may be wired where black may be positive.

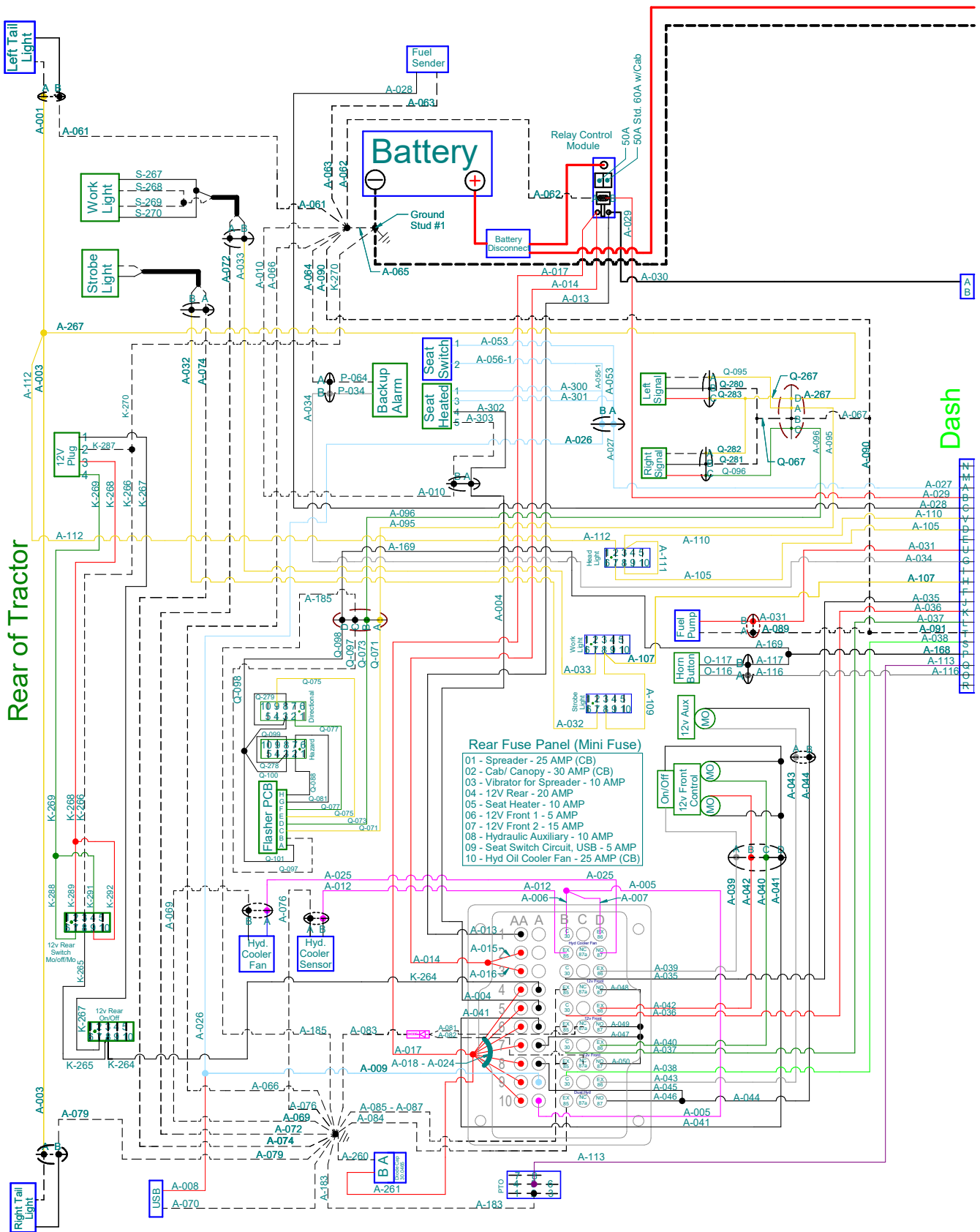
All other wires colors are as shown

Anything outlined with a blue box is a Standard Feature

Anything outlined with a Green box is a Option

# ELECTRICAL

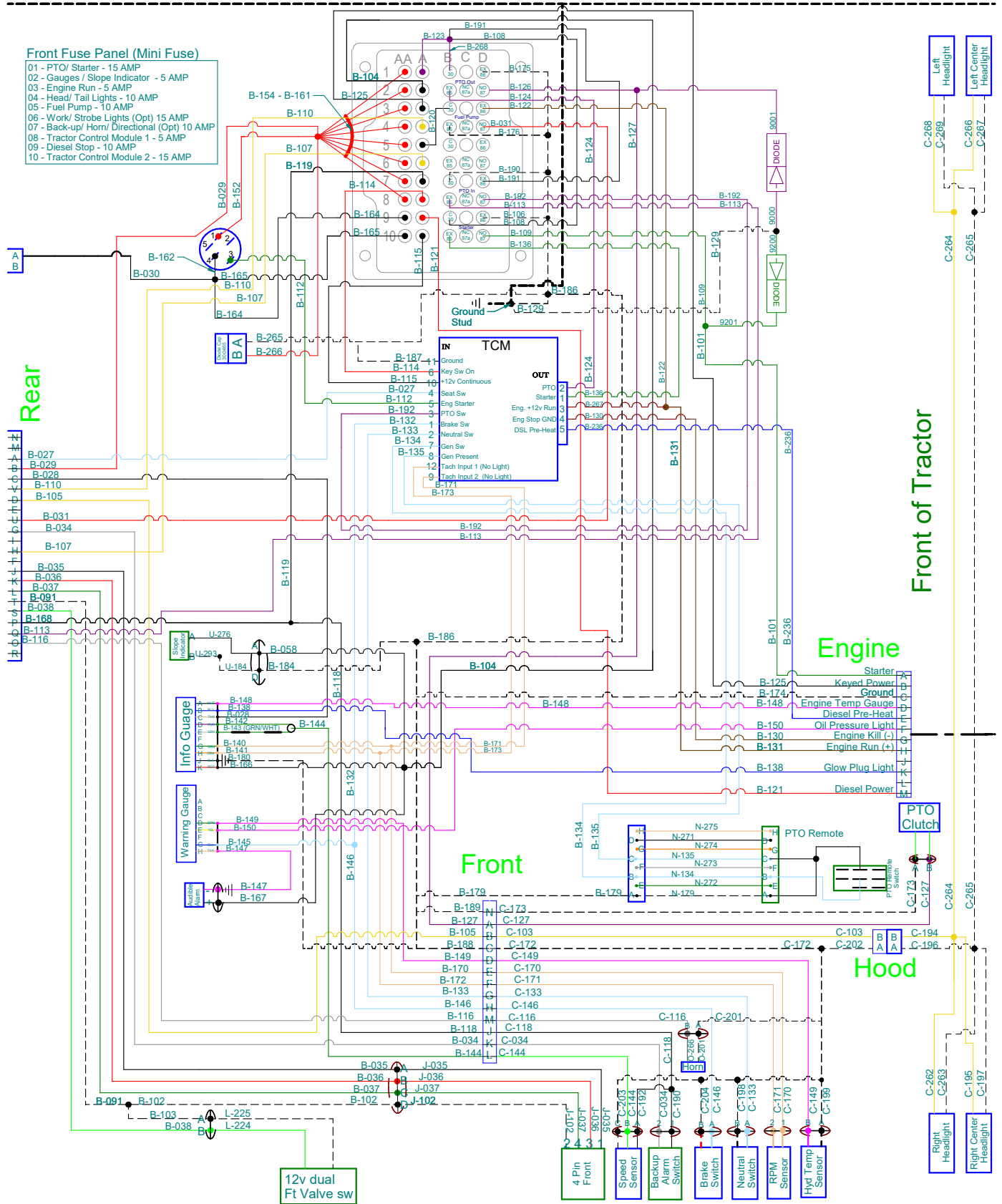
## Wiring Diagram - Rear Harness (Serial # 01001-02232)





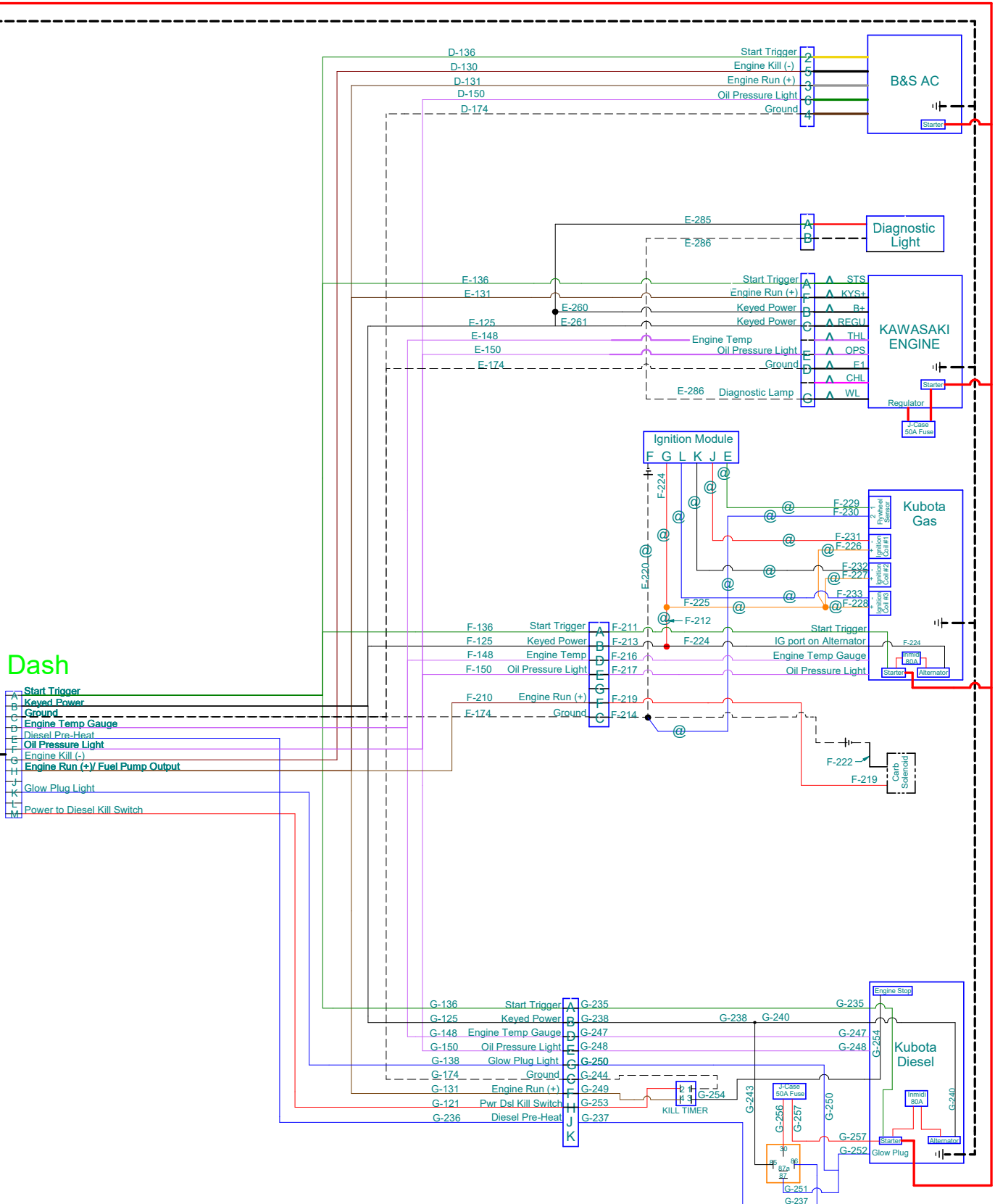
# ELECTRICAL

## Wiring Diagram - Front Harness (Serial # 01001-02232)



# ELECTRICAL

## Wiring Diagram - Engine Harness (Serial # 01001-02232)



# ELECTRICAL

## Wiring Diagram Reference Key (Serial # 02233-)

### Wire Reference Key

#### Harness Section Identifier

A = 32.0240 - Harness, Rear  
B = 32.0241 - Harness, Dash  
C = 32.0221 - Harness, Front  
C = 32.0234 - Harness, Wire 4520 Hood  
D = 32.0226 - Harness, B&S Engine  
E = 32.0228 - Harness, Kawasaki Engine  
F = 32.0223 - Harness, Kubota Gas  
G = 32.0227 - Harness, Kubota Diesel  
H =  
I =  
J = 32.0114 - Harness, Kit - 12v Front  
K = 32.0242 - Harness, Kit - 12v Rear  
L = 32.0225 - Harness, Kit - 12v Dual Hydraulic  
M =  
N = 32.0121 - Harness, Kit - PTO Remote  
O = 32.0115 - Harness, Kit - Horn  
P = 32.0122 - Harness, Kit - Backup Alarm  
Q = 32.0118 - Harness, Kit - Directional  
R = 32.0117 - Harness, Kit - Strobe Light  
S = 32.0231 - Harness, Kit - Work Light  
U = 32.0166 - Harness, Kit - Slope Indicator

\*@ = 32.0160 - Harness, Kubota WG972  
" ^ = 32.0159 - Harness, Kawasaki FD851D Fused

\* Actual wires not labeled on tractor harness

#### Wire Color & Circuit Type

Black = Ground  
Dark Blue = Pre-Heat  
Lt Blue = Safety Circuit  
Brown = Engine Run / Kill  
Gray = 12v Aux / Horn power  
Green = Start/Speed/Directional  
Lt Green = 12 Aux  
Pink = Alarm  
Purple = PTO  
Red = Power  
Tan = RPM  
White = Power  
Yellow = Light/Directional

----- = \*Black Wire  
————— = White Wire  
|||———— = Ground  
● = Splice or Connection

\* All black wires that are part of the wire harness are part of the ground circuit. However, some components such as lights may be wired where black may be positive.

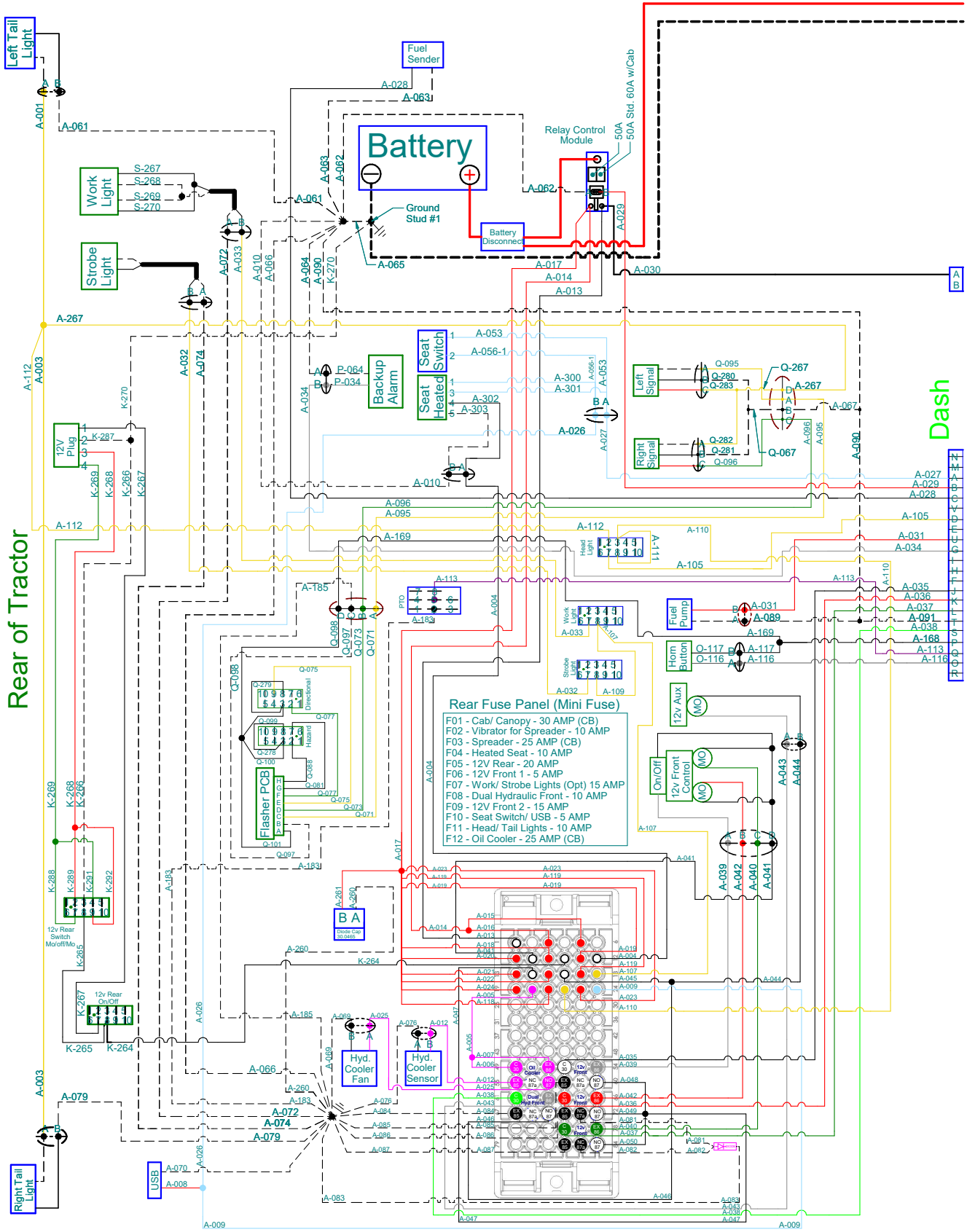
All other wires colors are as shown

Anything outlined with a blue box is a Standard Feature

Anything outlined with a Green box is a Option

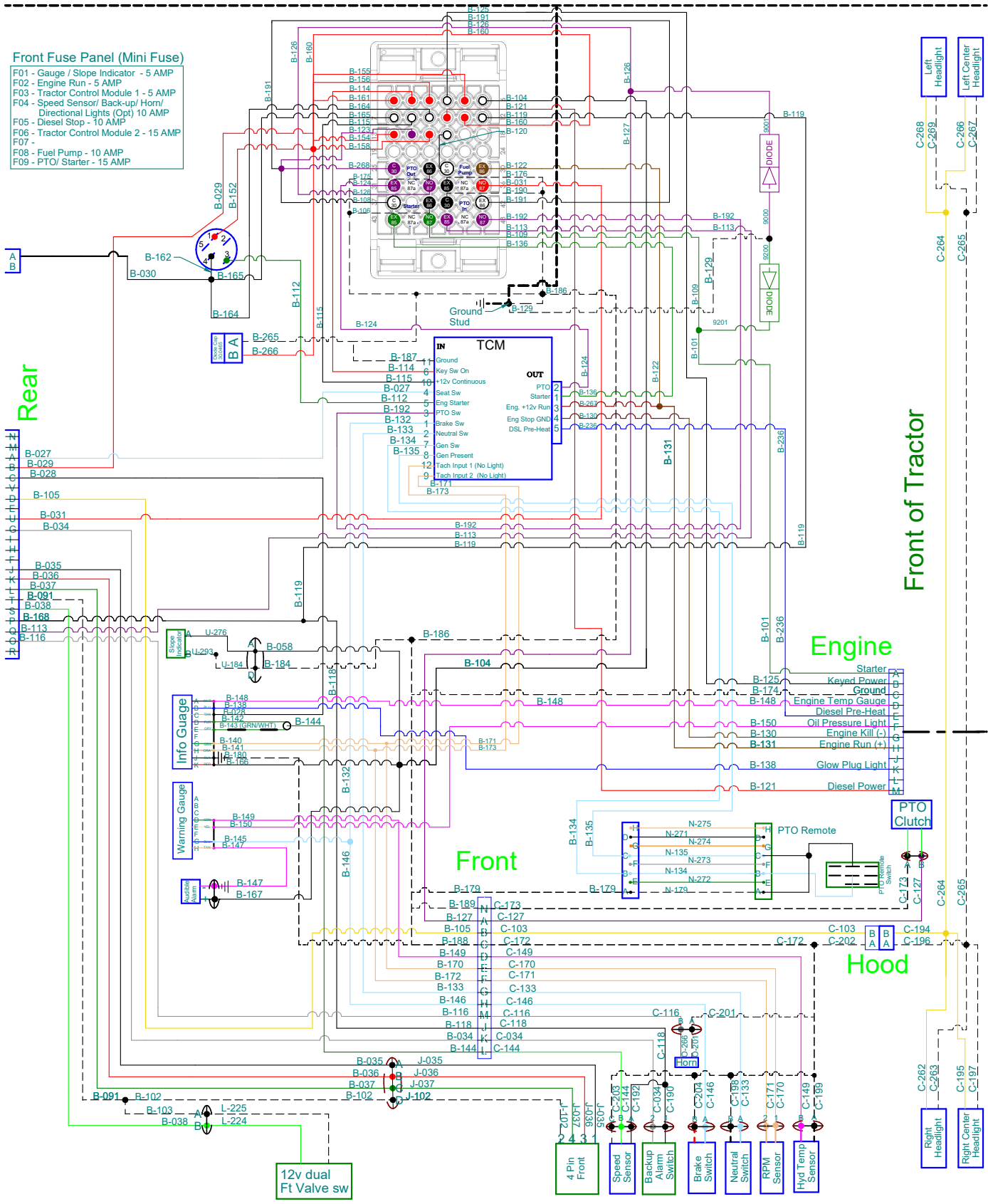
# ELECTRICAL

## Wiring Diagram - Rear Harness (Serial # 02233-)



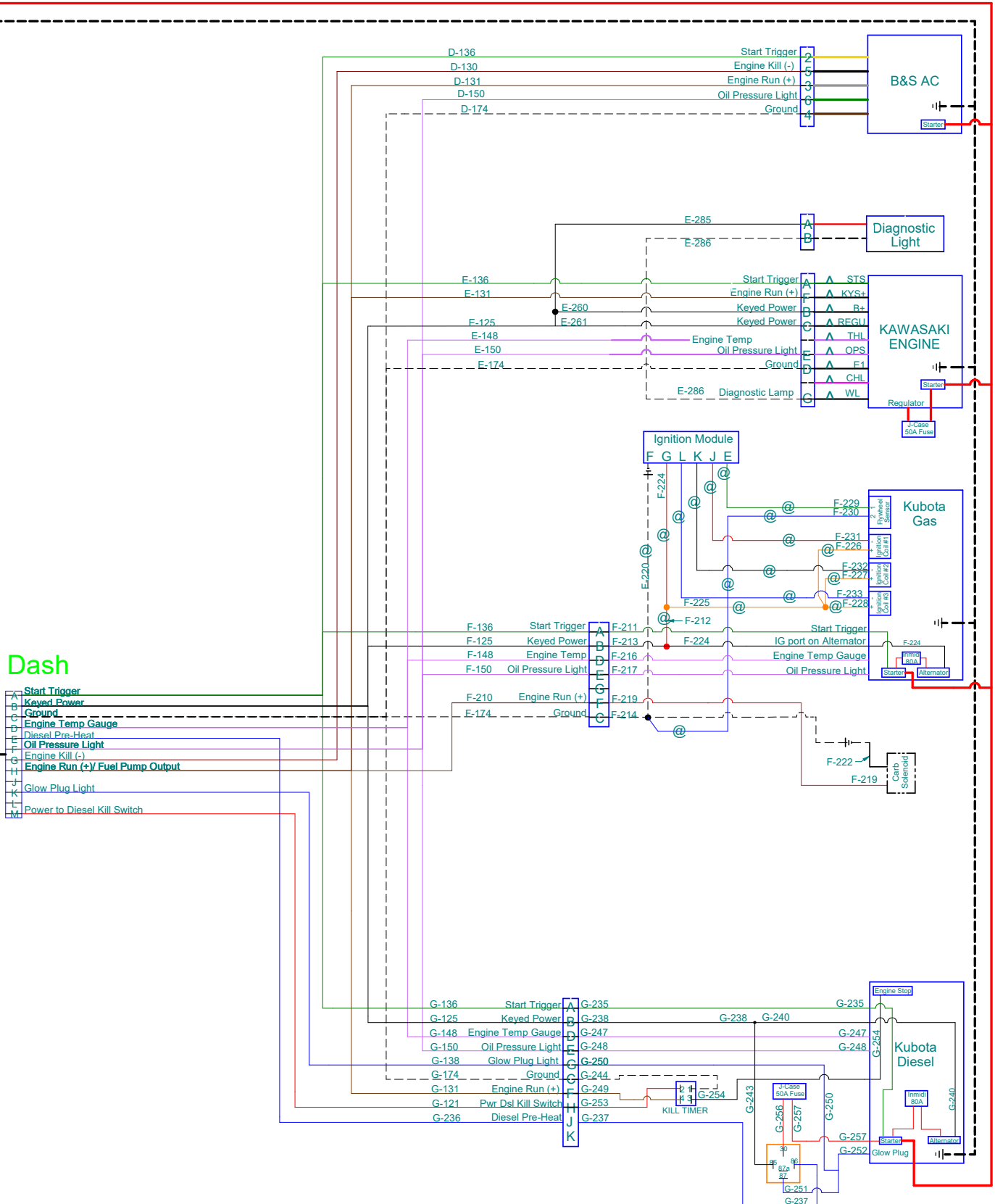
# ELECTRICAL

## Wiring Diagram - Front Harness (Serial # 02233-)



# ELECTRICAL

## Wiring Diagram - Engine Harness (Serial # 02233-)



# ELECTRICAL

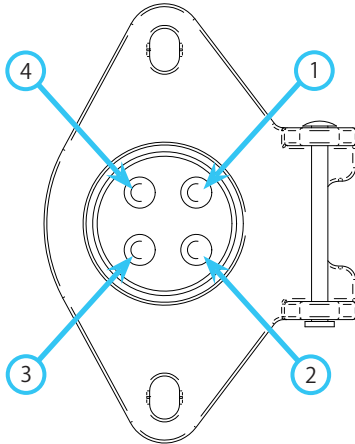
## Wiring Diagram - Optional Female Socket & Male Plug

### Attention

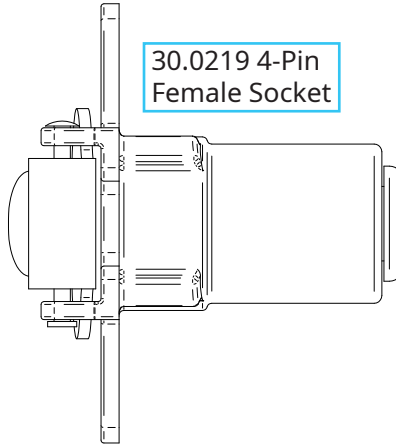
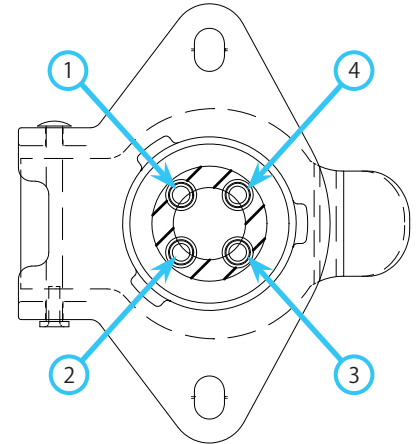
This connector (4-pin socket) is designed for use with Ventrac original equipment only.  
 This connector (4-pin socket) is rated for 20 amp maximum current draw. Engine alternator and/or battery capacity determine allowable continuous draw.

**30.0219 4-pin female socket is used in the 70.4161 12 Volt Front kit & 70.4105 12 Volt Rear Kit.**

**Front View of Socket  
Without Cover**



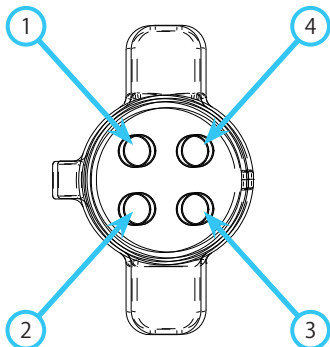
**Rear View of Socket**



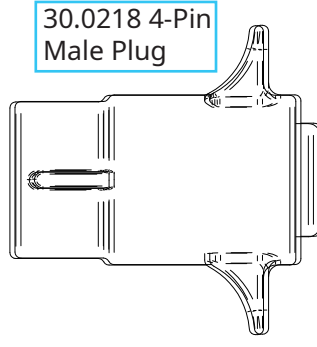
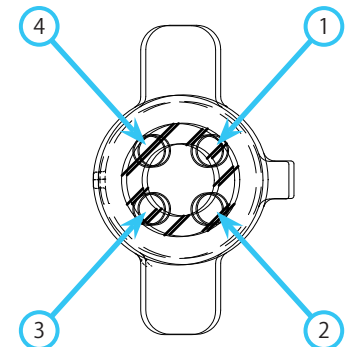
Terminal Position	Wire Color	Function
1	White	Positive (On/Off Switched)
2	Black	Negative (Constant)
3	Red	Positive/Negative (Momentary Switched Reversing)
4	Green or Brown	Positive/Negative (Momentary Switched Reversing)

**30.0218 4-pin plug is used on attachments to connect to the 30.0219 socket on the power unit.**

**Front View of Plug**



**Rear View of Plug**



Terminal Position	Wire Color	Function
1	Not Specified*	Positive (On/Off Switched)
2	Not Specified*	Negative (Constant)
3	Not Specified*	Positive/Negative (Momentary Switched Reversing)
4	Not Specified*	Positive/Negative (Momentary Switched Reversing)

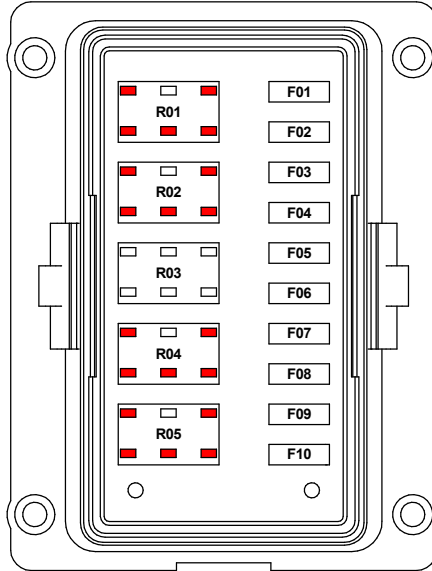
\* Refer to the part diagram in the attachment's operator's manual for specific wire color and terminal position for each model.

# ELECTRICAL

## Fuse Panel Layout (Serial # 01001-02232)

### Front Fuse Panel

Relays		
Location	Function	P/N
R01	PTO Out	35.0117
R02	Fuel Pump	35.0117
R03	-	-
R04	PTO In	35.0117
R05	Starter	35.0117



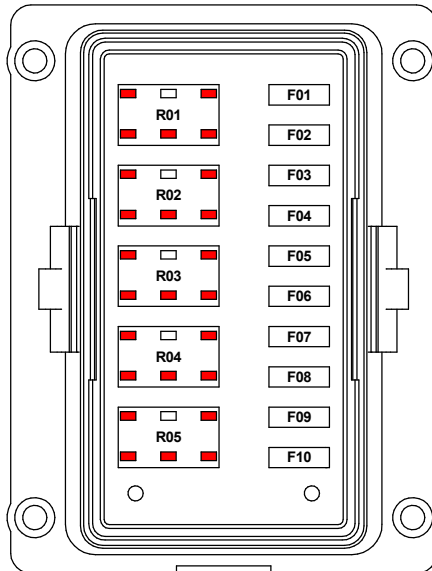
Fuses			
Location	Fuse (Amps)	Circuit	P/N
F01	15	PTO	30.0334
F02	5	Gauges / Slope Indicator	30.0332
F03	5	Engine Run	30.0332
F04	10	Head / Tail Lights	30.0333
F05	10	Fuel Pump	30.0333
F06	15*	Work / Strobe Lights	30.0334
F07	10	Speed Sensor / Back-up / Horn / Directional	30.0333
F08	5	Tractor Control Module 1	30.0332
F09	10^	Diesel Stop	30.0333
F10	15	Tractor Control Module 2	30.0334

\*Optional accessory  
^4520Y only

### Rear Fuse Panel

Relays		
Location	Function	P/N
R01	Hydraulic Oil Cooler Fan	35.0117
R02	12V Front*	35.0117
R03	12V Front*	35.0117
R04	12V Front*	35.0117
R05	Dual Hyd. Auxiliary*	35.0117

\*Optional accessory



Fuses			
Location	Fuse (Amps)	Circuit	P/N
F01	25 (CB)*	Spreader	30.0429
F02	30 (CB)*	Cab / Canopy	30.0445
F03	10*	Vibrator for Spreader	30.0333
F04	20*	12V Rear	30.0335
F05	10*	Seat Heater	30.0333
F06	5*	12V Front 1	30.0332
F07	15*	12V Front 2	30.0334
F08	10*	Dual Hyd. Auxiliary	30.0333
F09	5	Seat Switch, USB	30.0332
F10	25 (CB)	Hydraulic Oil Cooler Fan	30.0429

\*Optional accessory  
(CB) = Circuit Breaker

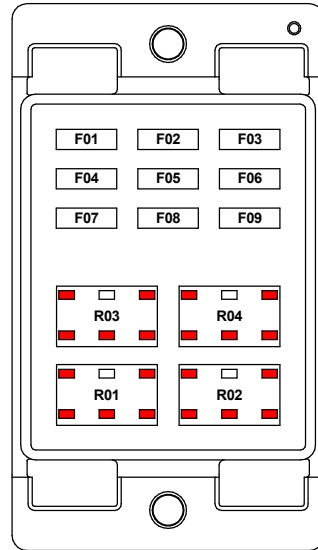


# ELECTRICAL

## Fuse Panel Layout (Serial # 02233-)

### Front Fuse Panel

Relays		
Location	Function	P/N
R01	PTO (Input)	35.0117
R02	Starter	35.0117
R03	Fuel Pump	35.0117
R04	PTO (Output)	35.0117



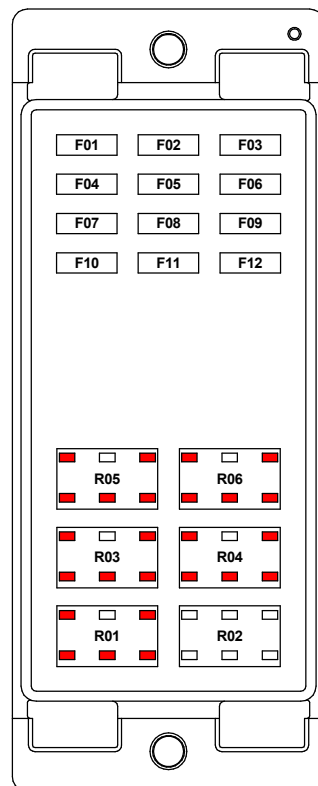
Fuses			
Location	Fuse (Amps)	Circuit	P/N
F01	5	Gauge / Slope Indicator	30.0332
F02	5	Engine Run	30.0332
F03	5	Tractor Control Module 1	30.0332
F04	10	Speed Sensor / Back-up / Horn / Directional	30.0333
F05	10*	Diesel Stop	30.0333
F06	15	Tractor Control Module 2	30.0334
F07	-	Blank	-
F08	10	Fuel Pump	30.0333
F09	15	PTO / Starter	30.0334

\*4520Y only

### Rear Fuse Panel

Relays		
Location	Function	P/N
R01	12V Front <sup>^</sup>	35.0117
R02	Blank	-
R03	12V Front <sup>^</sup>	35.0117
R04	Dual Hydraulic Front <sup>^</sup>	35.0117
R05	12V Front <sup>^</sup>	35.0117
R06	Oil Cooler	35.0117

<sup>^</sup>Optional accessory

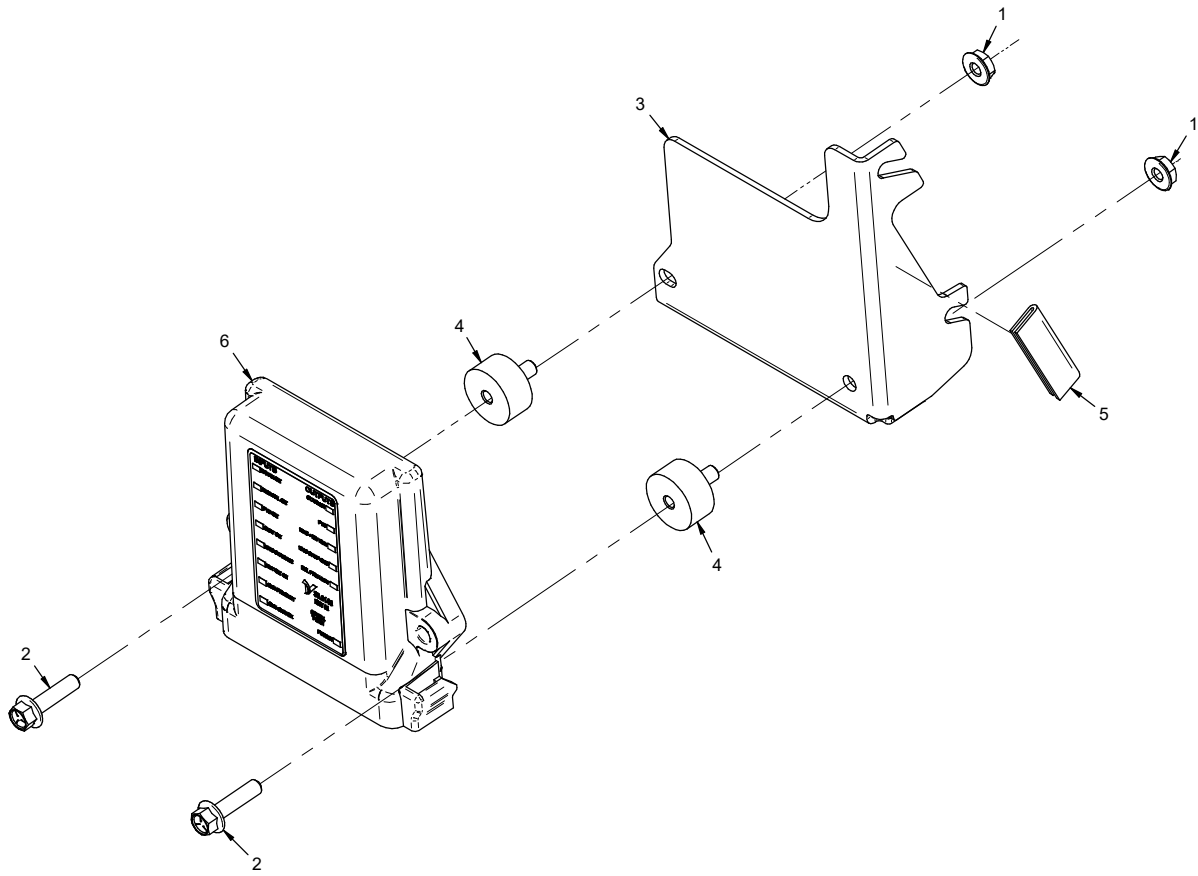


Fuses			
Location	Fuse (Amps)	Circuit	P/N
F01	30 (CB) <sup>^</sup>	Cab / Canopy	30.0445
F02	10 <sup>^</sup>	Vibrator for Spreader	30.0333
F03	25 (CB) <sup>^</sup>	Spreader	30.0429
F04	10 <sup>^</sup>	Heated Seat	30.0333
F05	20 <sup>^</sup>	12V Rear	30.0335
F06	5 <sup>^</sup>	12V Front 1	30.0332
F07	15 <sup>^</sup>	Work / Strobe Lights	30.0334
F08	10 <sup>^</sup>	Dual Hydraulic Front	30.0333
F09	15 <sup>^</sup>	12V Front 2	30.0334
F10	5	Seat Switch / USB	30.0332
F11	10	Head / Tail Lights	30.0333
F12	25 (CB)	Oil Cooler	30.0429

<sup>^</sup>Optional accessory  
(CB) = Circuit Breaker

# ELECTRICAL

## ILLUSTRATED DRAWING Tractor Control Module



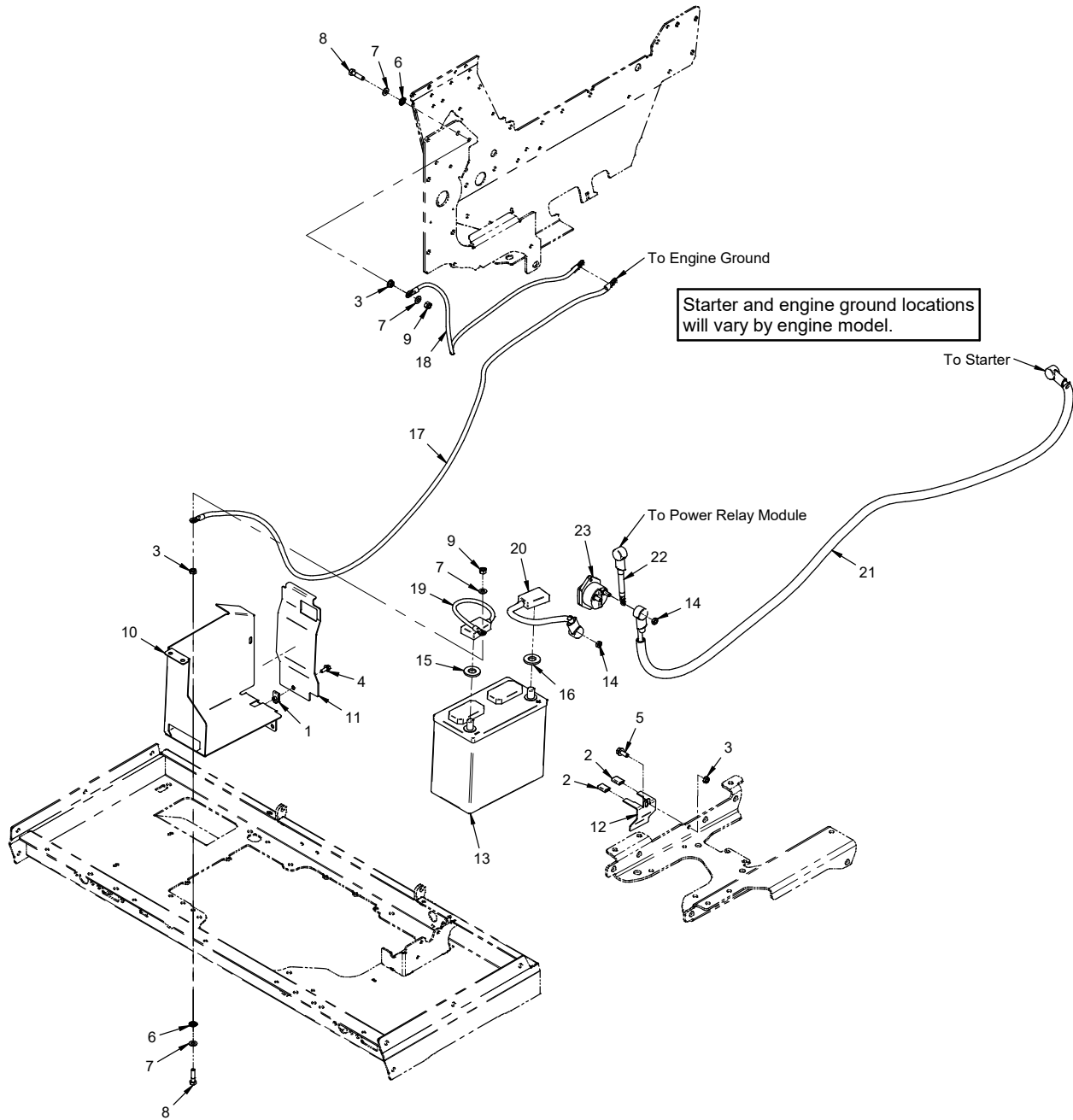
# ELECTRICAL

## Tractor Control Module

REF.	PART NO.	DESCRIPTION	QTY.
1	99.SF04	Nut, SRF 1/4-20 USS	2
2	99.SF0408-1	Bolt, SMF 1/4-20 x 1	2
3	64.1690	Bracket, TCM	1
4	05.0135	Isolator, 1/4-20 x 1/2 x 1" F/M	2
5	06.0042-2IN	Trim, Trim Loc 1/2 x 1/16 x 2"	1
6	35.0134	Module, Tractor Control	1

# ELECTRICAL

## ILLUSTRATED DRAWING Battery, Power Cables, & Ground Cables



# ELECTRICAL

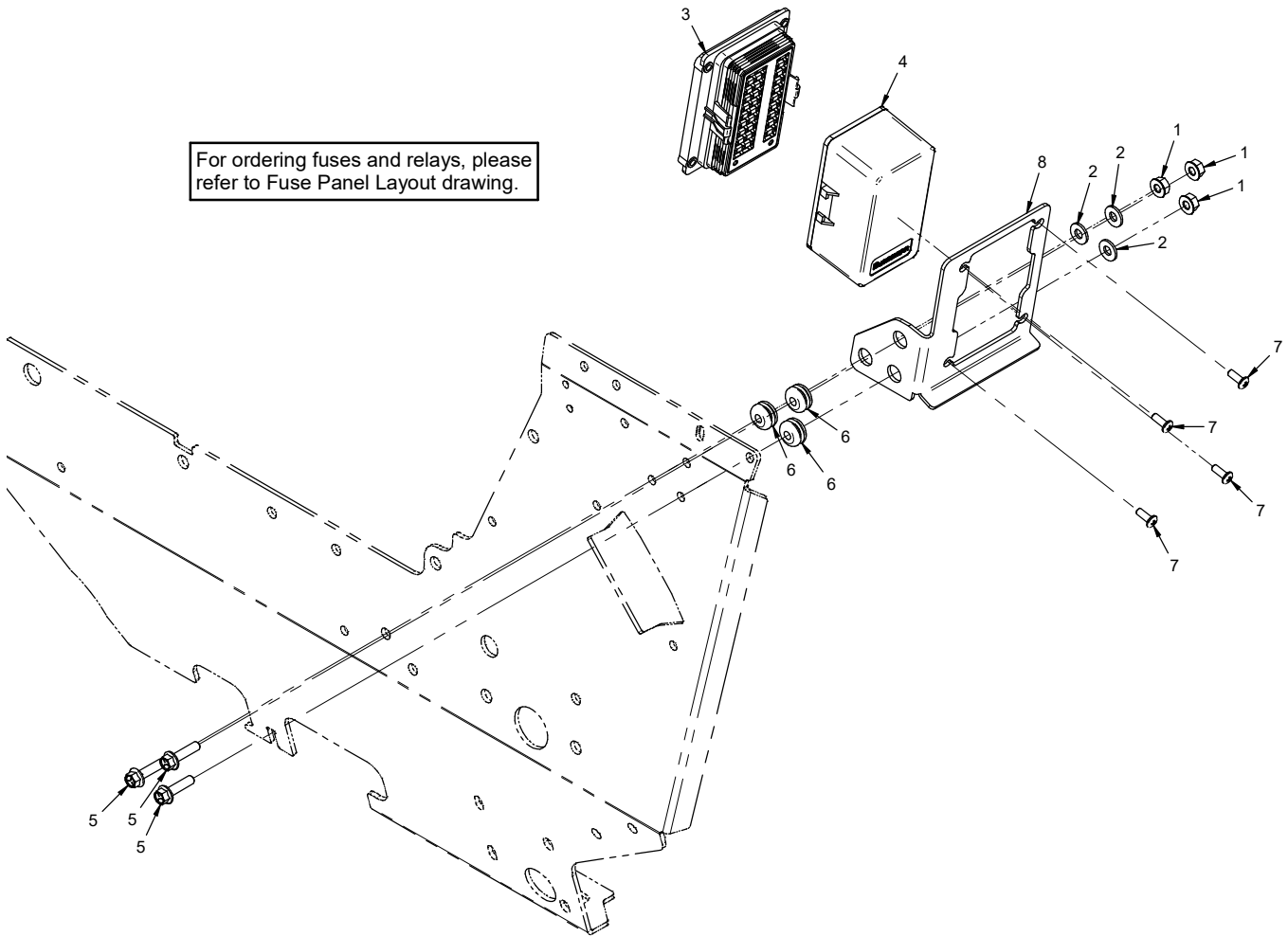
## Battery, Power Cables, & Ground Cables

REF.	PART NO.	DESCRIPTION	QTY.
1	99.E0046	Nut, "U" 1/4-20 Extruded	1
2	06.0044	Cap, Plastic 1/8 x 1/2 x 7/8	2
3	99.SF05	Nut, SRF 5/16-18 USS	3
4	99.SF0405-1	Bolt, SMF 1/4-20 X 5/8	4
5	99.SF0506-1	Bolt, SMF 5/16-18 USS X 3/4	1
6	99.G0003	Washer, Star-External 5/16	2
7	95.05	Washer, Flat 5/16 SAE	4
8	90.0510	Bolt, 5/16-18 USS x 1-1/4	2
9	99.A05N	Locknut, Nylon 5/16-18 USS	2
10	60.1116	Panel, Battery Compartment	1
11	60.1117	Panel, Foot Platform Left	1
12	64.1593	Retainer, Battery Hold Down	1
13	33.0060	Battery, Group 51R	1
14	99.E0060	Nut, Jam 5/16-18 USS	2
15	05.0122	Washer, Anti Corrosion Black	1
16	05.0121	Washer, Anti Corrosion Red	1
17	32.0103	Formed, Cable Path	1
18	32.0112	Cable, Asm Neg 4Ga	1
19	32.0101	Cable, Asm Neg 4 Ga	1
20	32.0100	Cable, Asm Pos Battery 4Ga	1
21	32.0102	Cable, Asm Pos 4Ga	1
22	32.0111	Cable, Asm Pos 6Ga	1
23	30.0338	Breaker, Circuit 150 Amp	1

# ELECTRICAL

## ILLUSTRATED DRAWING Front Fuse Panel (Serial # 01001-02232)

For ordering fuses and relays, please refer to Fuse Panel Layout drawing.



# ELECTRICAL

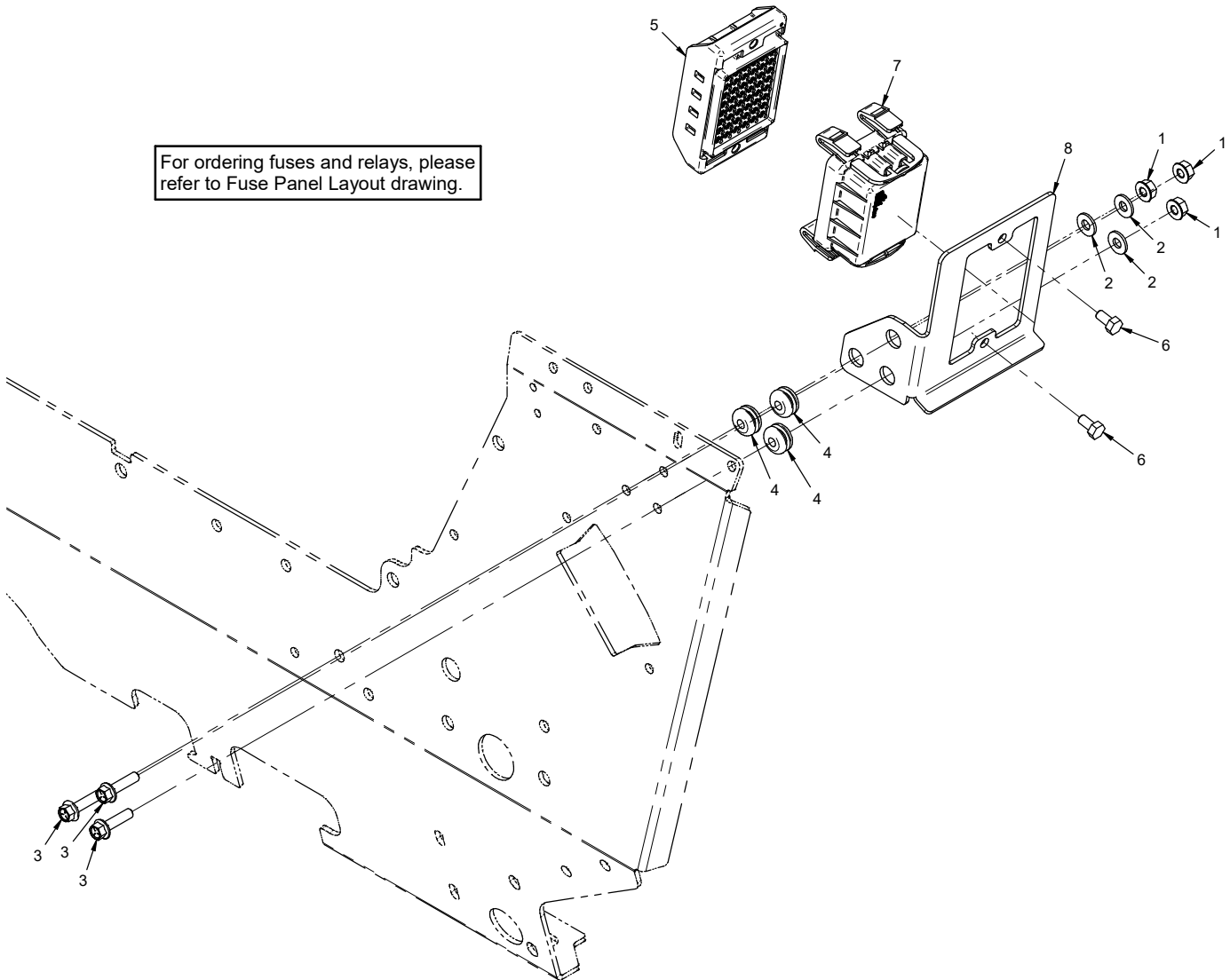
## Front Fuse Panel (Serial # 01001-02232)

REF.	PART NO.	DESCRIPTION	QTY.
1	99.E0101	Nut, Locking Flange 1/4-20	3
2	95.04	Washer, Flat 1/4 SAE	3
3	30.0356	Fuse Panel, Mini Non-Bussed	1
4	30.0331	Cover, Fuse Panel 30.0329	1
5	99.SF0408-1	Bolt, SMF 1/4-20 x 1	3
6	05.0146	Grommet, 1/4ID, 3/4OD, 7/16THK	3
7	99.K0062	Machine Screw, #10-32 X 1/2	4
8	64.1648	Bracket, Fuse Panel Mount	1

# ELECTRICAL

## ILLUSTRATED DRAWING Front Fuse Panel (Serial # 02233-)

For ordering fuses and relays, please refer to Fuse Panel Layout drawing.





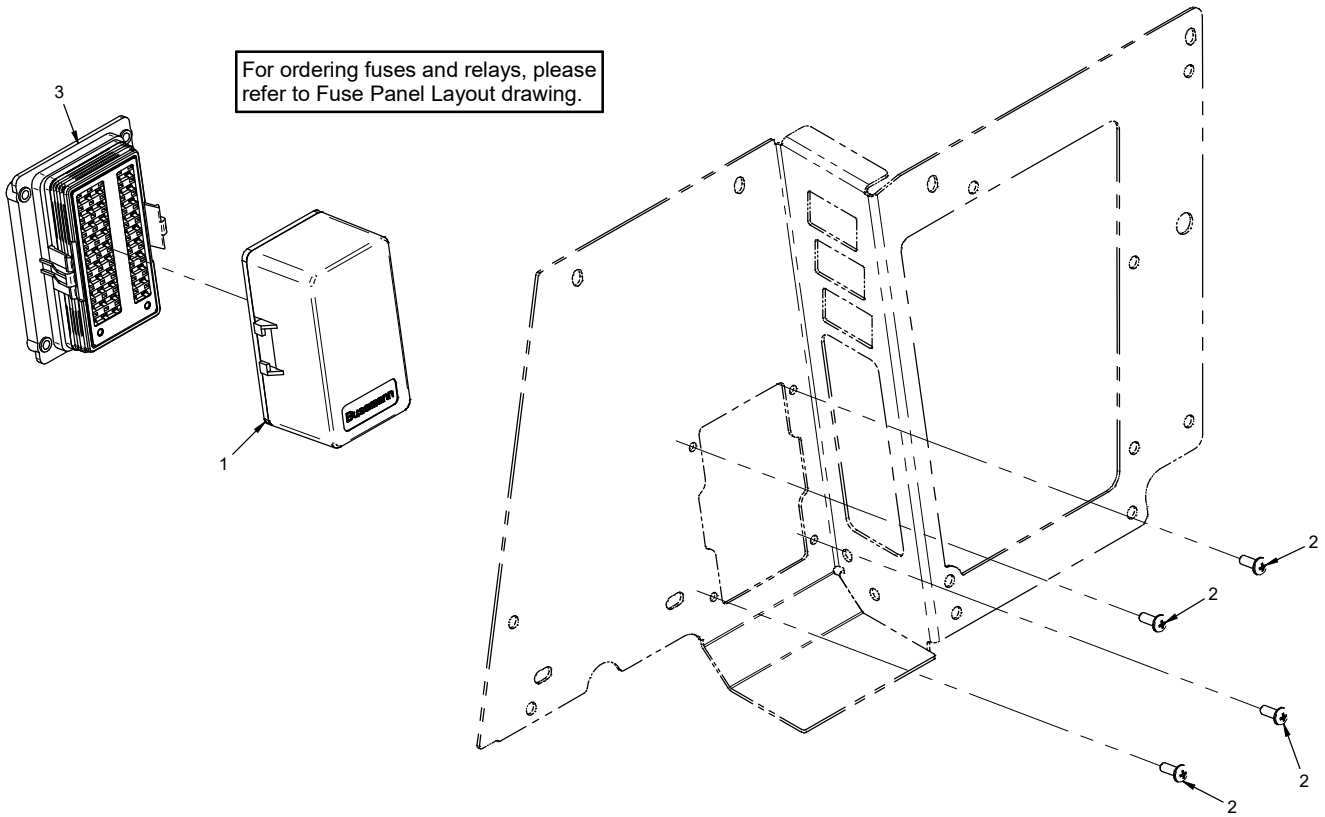
# ELECTRICAL

## Front Fuse Panel (Serial # 02233-)

REF.	PART NO.	DESCRIPTION	QTY.
1	99.E0101	Nut, Locking Flange 1/4-20	3
2	95.04	Washer, Flat 1/4 SAE	3
3	99.SF0408-1	Bolt, SMF 1/4-20 x 1	3
4	05.0146	Grommet, 1/4ID, 3/4OD, 7/16THK	3
5	30.0556	Fuse Panel, 48 Pos Mini	1
6	99.M0016	Bolt, M6 X 1.00 X 12MM	2
7	30.0557	COVER, FUSE PANEL 48 POS MINI	1
8	64.1648	Bracket, Fuse Panel Mount	1

# ELECTRICAL

## ILLUSTRATED DRAWING Rear Fuse Panel (Serial # 01001-02232)



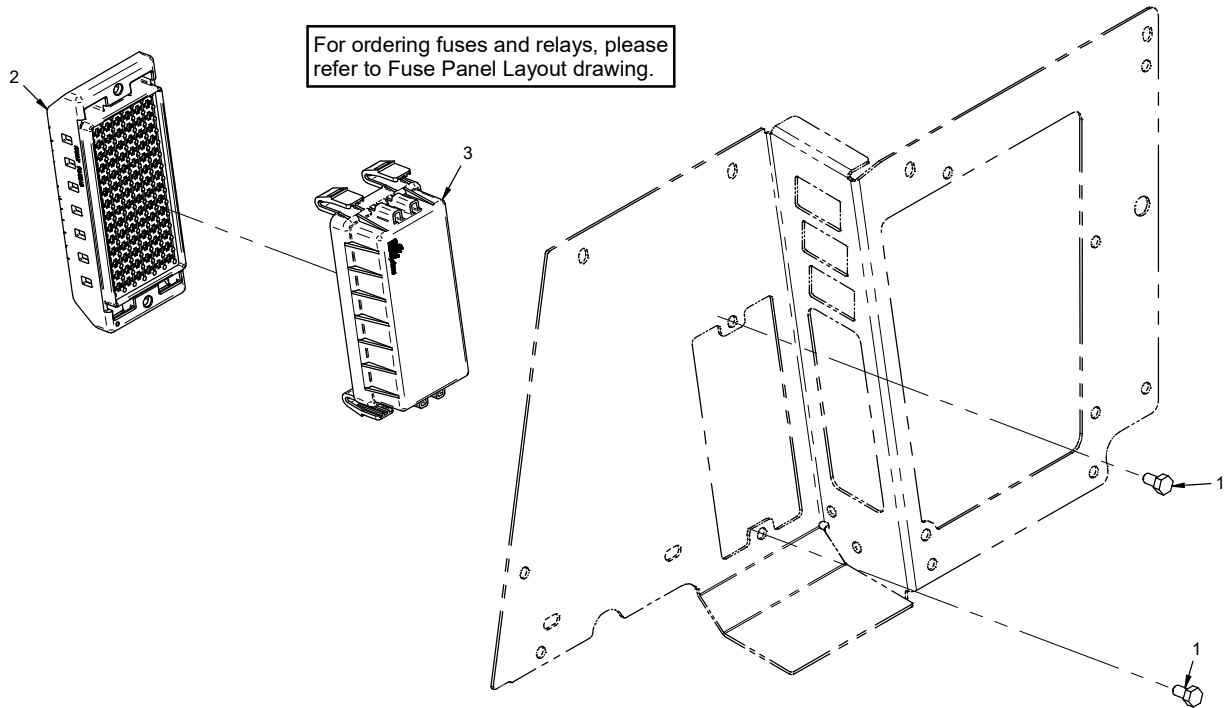
# ELECTRICAL

## Rear Fuse Panel (Serial # 01001-02232)

REF.	PART NO.	DESCRIPTION	QTY.
1	30.0331	Cover, Fuse Panel 30.0329	1
2	99.K0062	Machine Screw, #10-32 X 1/2	4
3	30.0356	Fuse Panel, Mini Non-Bussed	1

# ELECTRICAL

## ILLUSTRATED DRAWING Rear Fuse Panel (Serial # 02233-)



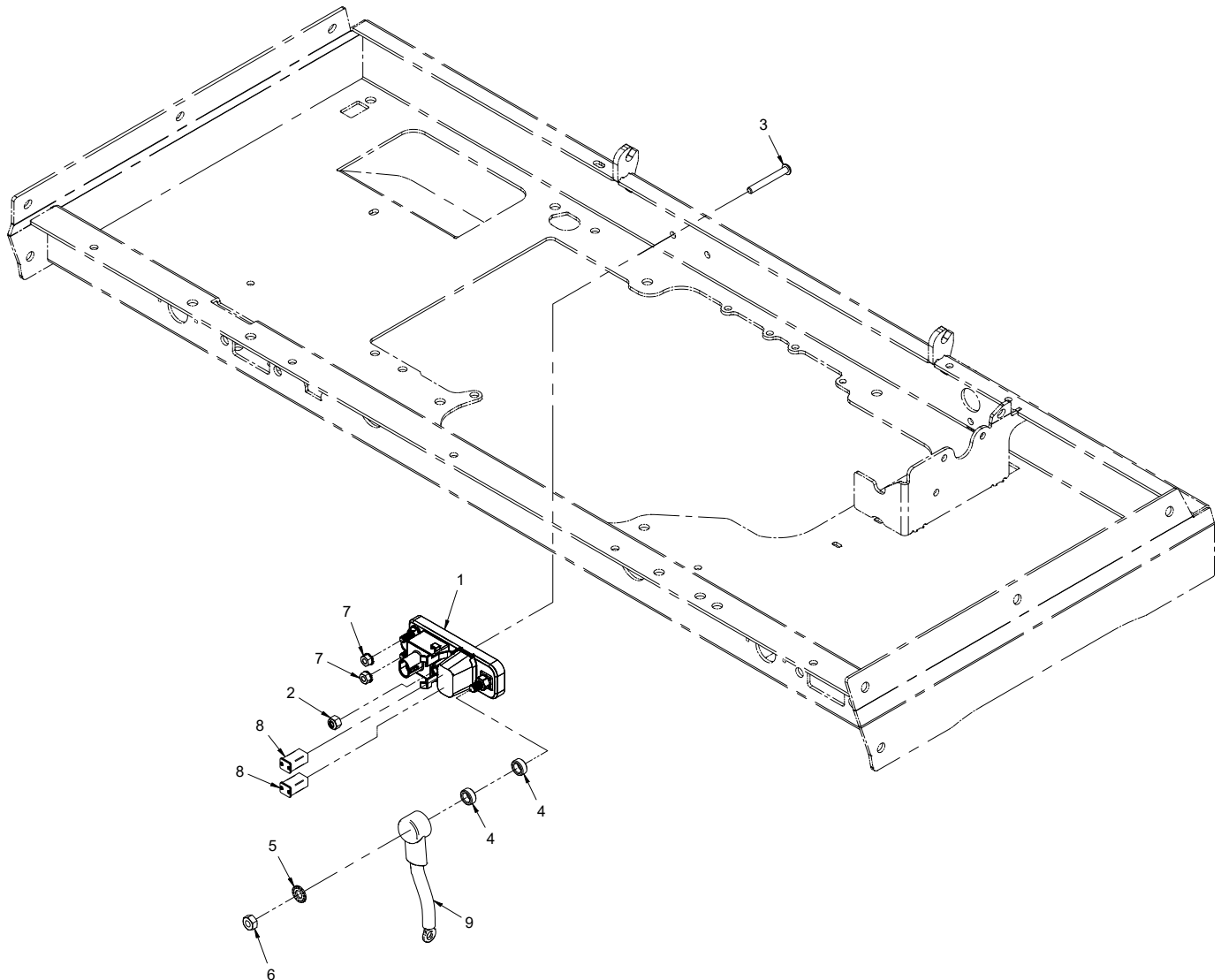
# ELECTRICAL

## Rear Fuse Panel (Serial # 02233-)

REF.	PART NO.	DESCRIPTION	QTY.
1	99.M0016	Bolt, M6 X 1.00 X 12MM	2
2	30.0502	Fuse Panel, 84 Pos Mini	1
3	30.0504	Cover, Fuse Panel NT2100	1

# ELECTRICAL

## ILLUSTRATED DRAWING Power Relay Module



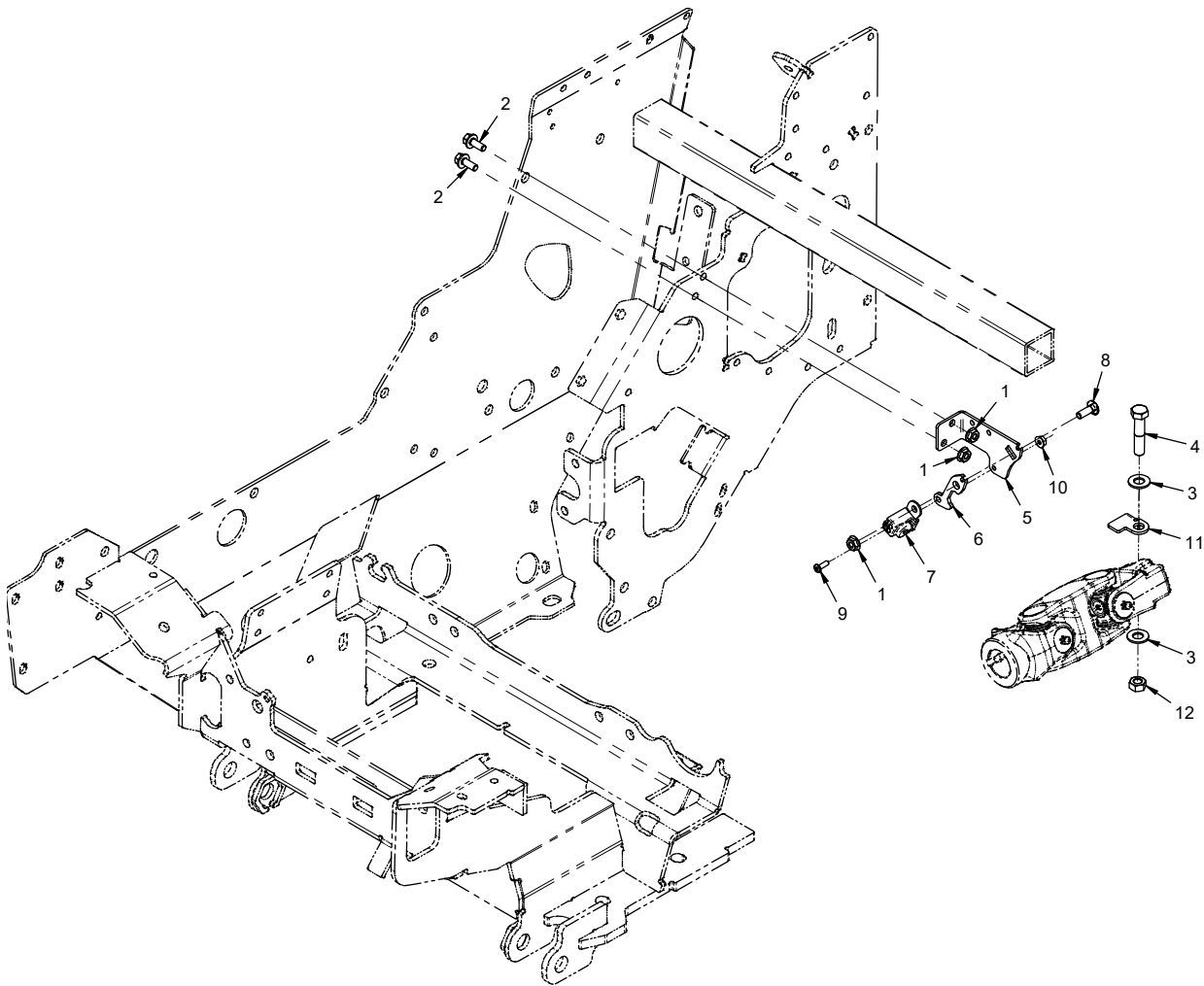
# ELECTRICAL

## Power Relay Module

REF.	PART NO.	DESCRIPTION	QTY.
1	30.0339	Module, Power Relay	1
2	99.A04N	Locknut, Nylon 1/4-20	1
3	99.SF0416	Bolt, 1/4-20 x 2 BSCS	1
4	64.0602	Bushing, 3/8 x 5/8 x .265	2
5	99.G0003	Washer, Star-External 5/16	1
6	99.M0008	Nut, M8 x 1.25MM ZP	1
7	99.M0029	Nut, M6 x 1.0 W/Lock Washer	2
8	30.0374	Fuse, 50A J-Case Orange	2
9	32.0111	Cable, Asm Pos 6 Ga	1

# ELECTRICAL

## ILLUSTRATED DRAWING RPM Sensor





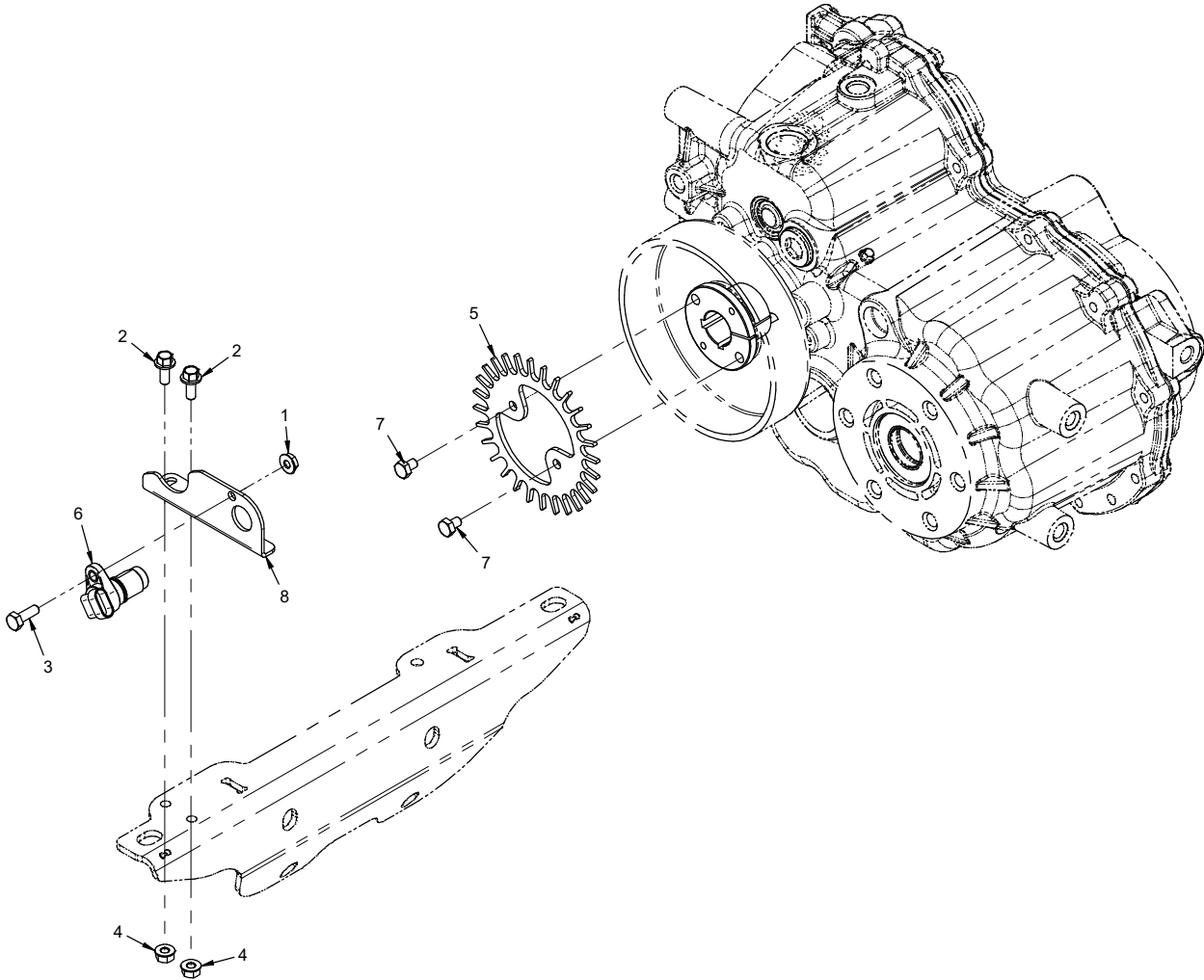
# ELECTRICAL

## RPM Sensor

REF.	PART NO.	DESCRIPTION	QTY.
1	99.SF04	Nut, SRF 1/4-20 USS	3
2	99.SF0405-1	Bolt, SMF 1/4-20 X 5/8	2
3	95.06	Washer, Flat 3/8 SAE	2
4	90.0614	Bolt, 3/8-16 USS x 1-3/4	1
5	64.1653	Bracket, RPM Sensor Mount	1
6	64.1655	Plate, Tach RPM Sensor Spacer	1
7	13.0162	Trigger, Ignition	1
8	97.0406	Bolt, Carriage 1/4-20 x 3/4	1
9	99.K0041	Machine Screw, #8-32 X 1/2	1
10	99.E0062	Nut, SRF #8-32	1
11	64.1654	Plate, Driveshaft Tach Trigger	1
12	99.A06	Locknut, Stover 3/8-16 USS	1

# ELECTRICAL

## ILLUSTRATED DRAWING Speedometer Sensor (Serial # 01001-02652)



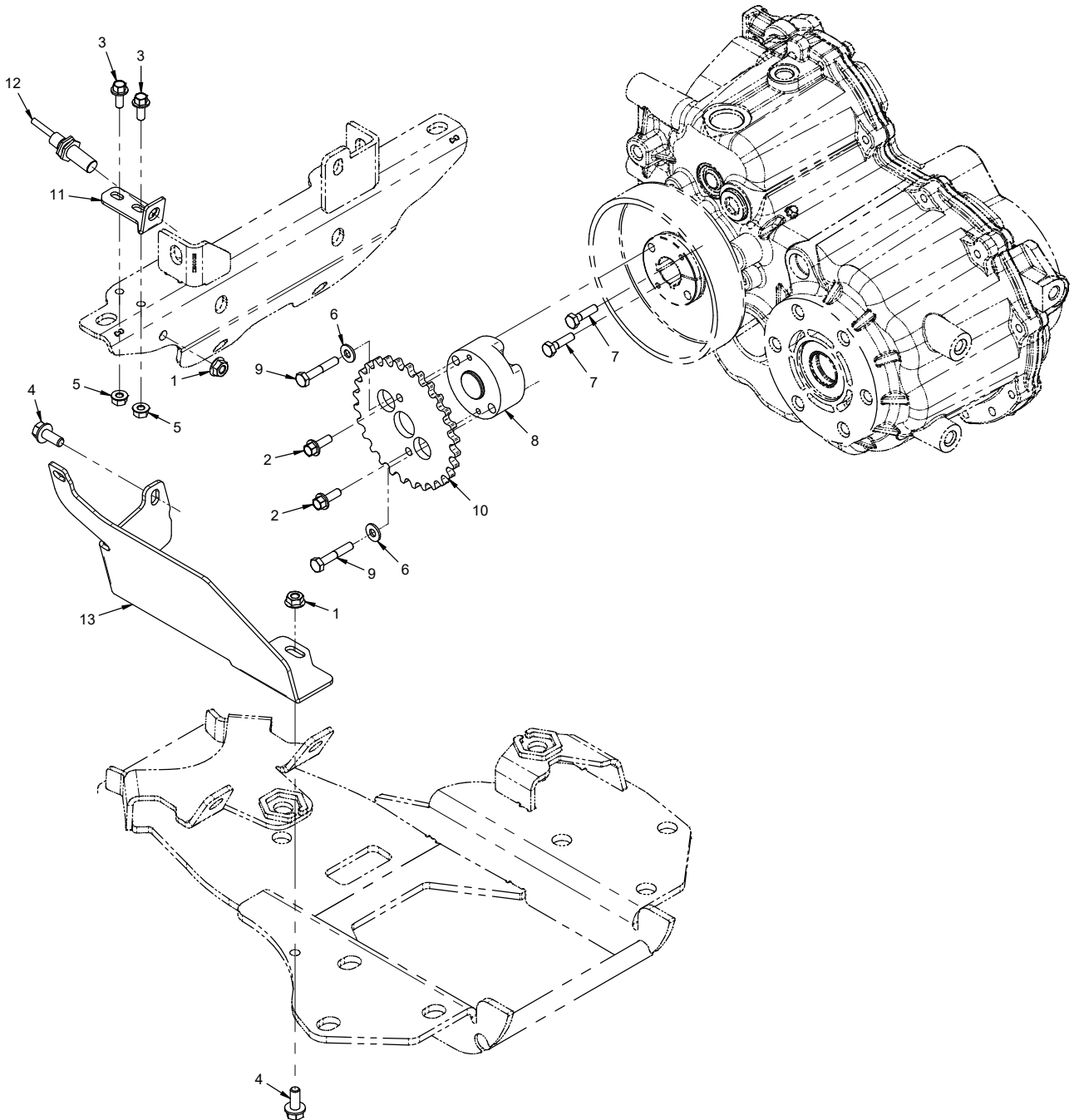
# ELECTRICAL

## Speedometer Sensor (Serial # 01001-02652)

REF.	PART NO.	DESCRIPTION	QTY.
1	99.SF04	Nut, SRF 1/4-20 USS	1
2	99.SF0405-1	Bolt, SMF 1/4-20 X 5/8	2
3	90.0406	Bolt, 1/4-20 USS x 3/4"	1
4	99.E0101	Nut, Locking Flange 1/4-20	2
5	64.1606	Plate, Speed Indicator	1
6	35.0121	Sensor, Gear Tooth Speed	1
7	90.0403	Bolt, 1/4-20 USS X 3/8	2
8	64.1604	Bracket, Speed Sensor Mount	1

# ELECTRICAL

## ILLUSTRATED DRAWING Speedometer Sensor (Serial # 02653)



# ELECTRICAL

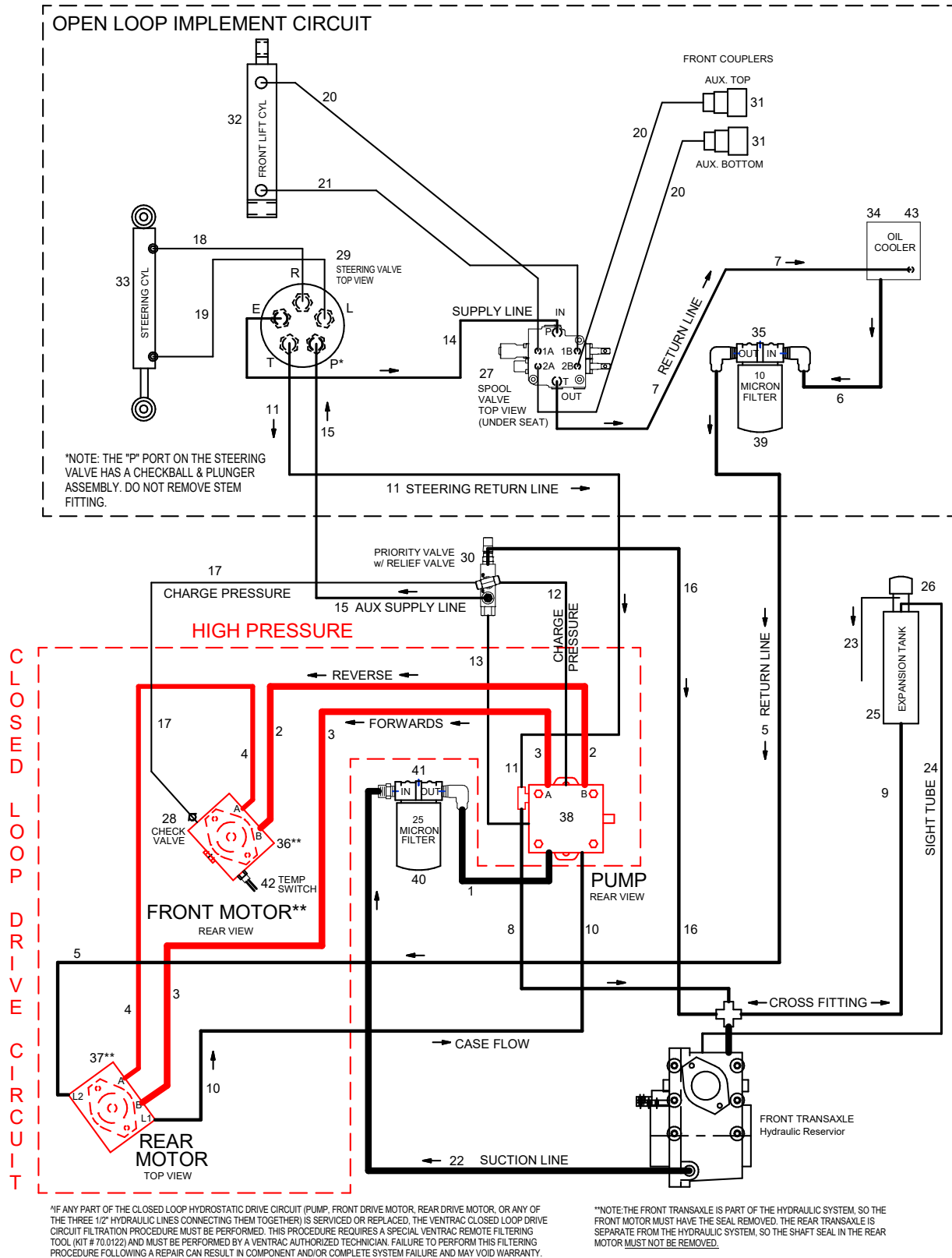
## Speedometer Sensor (Serial # 02653)

REF.	PART NO.	DESCRIPTION	QTY.
1	99.SF05	Nut, SRF 5/16-18 USS	2
2	99.SF0406-1	Bolt, SMF 1/4-20 X 3/4	2
3	99.SF0405-1	Bolt, SMF 1/4-20 X 5/8	2
4	99.SF0506-1	Bolt, SMF 5/16-18 USS x 3/4	2
5	99.E0101	Nut, Locking Flange 1/4-20	2
6	95.04	Washer, Flat 1/4 SAE	2
7	90.0408	Bolt, 1/4-20 USS x 1	2
8	KN-1417	Spacer, Speed Sensor Gear	1
9	90.0412	Bolt, 1/4-20 USS x 1-1/2	2
10	KN-1414	Plate, Speed Indicator, Radial Sensor Mt.	1
11	KN-1413	Mount, Speed Sensor	1
12	35.0164-1	Sensor, Gear Tooth Speed	1
13	KN-1415	Guard, Speed Sensor Gear	1

# HYDRAULICS, AXLES, & WHEELS

## ILLUSTRATED DRAWING Hydraulic Diagram

ALL VIEWS ARE FROM REAR OF TRACTOR, OR AS NOTED



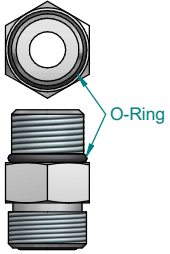
# HYDRAULICS, AXLES, & WHEELS

## Hydraulic Diagram

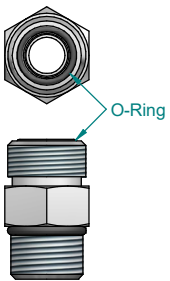
REF.	PART NO.	DESCRIPTION	QTY.
1	22.0088	Hose, 3/4x16.00 SAE 100R4ExFlex	1
2	20.0406	Hose, 3/4x20.00 SS Braid PTFE	1
3	20.0405	Hose, 3/4x75.50 SS Braid PTFE	1
4	20.0414	Hose, 5/8 x 53.00 SAE 100R16	1
5	22.0085	Hose, 1/2x15.00 ASTM D380 / ASTM D6751	1
6	22.0084	Hose, 1/2x14.50 ASTM D380 / ASTM D6751	1
7	22.0082	Hose, 1/2x32.00 ASTM D380 / ASTM D6751	1
8	22.0081	Hose, 1/2x29.00 ASTM D380 / ASTM D6751	1
9	22.0080	Hose, 1/2x19.00 ASTM D380 / ASTM D6751	1
10	22.0079	Hose, 1/2x49.00 ASTM D380 / ASTM D6751	1
11	22.0090	Hose, 3/8x9.50 ASTM D380 / ASTM D6751	1
12	22.0086	Hose, 3/8x21.00 ASTM D380 / ASTM D6751	1
13	20.0396	Hose, 3/8x19.00 SAE 100R17AR	1
14	20.0395	Hose, 3/8x56.50 SAE 100R17AR	1
15	20.0394	Hose, 3/8x18.50 SAE 100R17AR	1
16	22.0091	Hose, 1/4x14.50 ASTM 380 / ASTM D6751	1
17	22.0089	Hose, 1/4x12.50 ASTM D380 / ASTM D6751	1
18	20.0402	Hose, 1/4x36.00 SAE 100R17AR	1
19	20.0401	Hose, 1/4x43.00 SAE 100R17AR	1
20	20.0398	Hose, 1/4x58.00 SAE 100R17AR	3
21	20.0397	Hose, 1/4x48.00 SAE 100R17AR	1
22	20.0403	Steel Tube, 3/4" OD x .065 Wall	1
23	27.F04	Hose, Fuel Line x 1/4 /ft	1
24	27.T06-3	Tube, Silicon 3/8" ID	1
25	KN-6052	Tank, Steel Hydraulic 4520	1
26	29.0126	Fitting, Cap 1" FP	1
27	23.0201	Valve, 2 Spool W/LH Flt, RH SP	1
28	23.0200	Valve, Check Parker 5 PSI, 06 ORB	1
29	23.0199	Valve, Steering	1
30	23.0198	Valve Block, Priority/Relief	1
31	23.0197	Coupler, Hyd Quick Female 1/4 ORB	2
32	23.0156	Cylinder, 2-1/4" x 7" Lift	1
33	23.0145	Cylinder, 1-3/4" x 8 Steering	1
34	21.0155	Cooler, Hydraulic	1
35	21.0154	Filter, Head 08 ORB	1
36	21.0149	Motor, Hyd. Danfoss 20cc/Rev	1
37	21.0149	Motor, Hyd. Danfoss 20cc/Rev	1
38	21.0148	Pump, Hyd. Danfoss 20cc	1
39	21.0124	Filter, Hyd. 10 Micron Cel.	1
40	21.0122	Filter, Hyd. 25 Micron Syn.	1
41	21.0119	Filter, Head -10 ORB Ports	1
42	13.0341	Switch, Temp -06 SAE ORB	1
43	13.0239	Switch, Temperature 170 F	1

# HYDRAULICS, AXLES, & WHEELS

## Hydraulic Fitting O-Ring Chart



Straight Thread O-Ring Boss - O-Ring Replacement Part Numbers						
SAE Fitting Size	Thread Size	VPI Part #	ID	OD	Width	AS568A Dash #
-04	7/16-20	26.0035	0.351"	0.495"	0.072"	904
-06	9/16-18	26.0036	0.468"	0.624"	0.078"	906
-08	3/4-16	26.0037	0.644"	0.818"	0.087"	908
-10	7/8-14	26.0038	0.755"	0.949"	0.097"	910
-12	1-1/16-12	26.0039	0.924"	1.156"	0.116"	912
-16	1-5/16-12	26.0043	1.171"	1.403"	0.116"	916



O-Ring Face Seal Hose - O-Ring Replacement Part Numbers						
SAE Fitting Size	Thread Size	VPI Part #	ID	OD	Width	AS568A Dash #
-04	9/16-18	26.0044	0.301"	0.441"	0.070"	011
-06	11/16-16	26.0025	0.364"	0.504"	0.070"	012
-08	13/16-16	26.0009	0.489"	0.629"	0.070"	014
-10	1-14	26.0023	0.614"	0.754"	0.070"	016
-12	1-3/16-12	26.0045	0.739"	0.879"	0.070"	018
-16	1-7/16-12	26.0046	0.926"	1.066"	0.070"	021



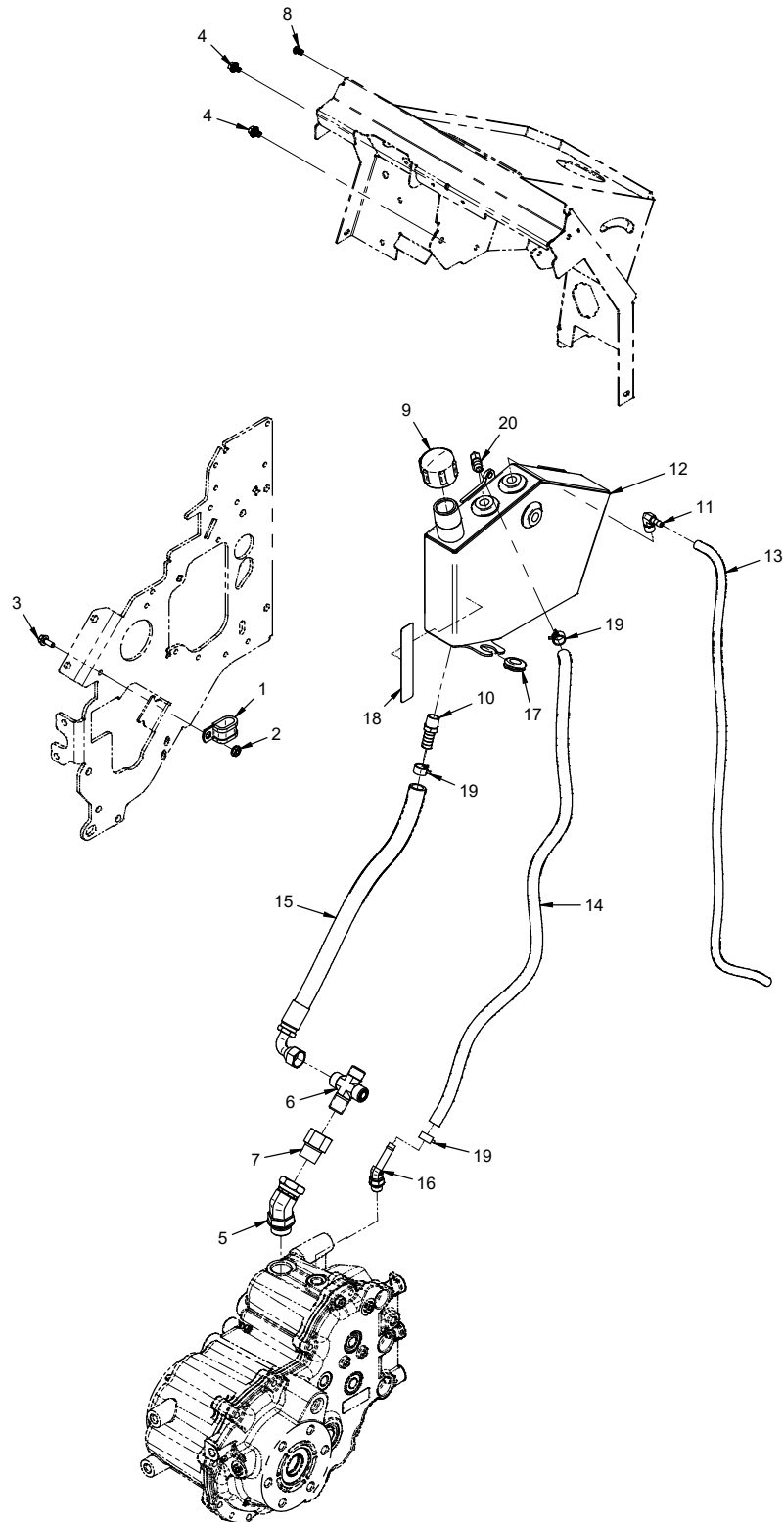
# HYDRAULICS, AXLES, & WHEELS

---

Blank Page

# HYDRAULICS, AXLES, & WHEELS

## ILLUSTRATED DRAWING Hydraulic Oil Tank



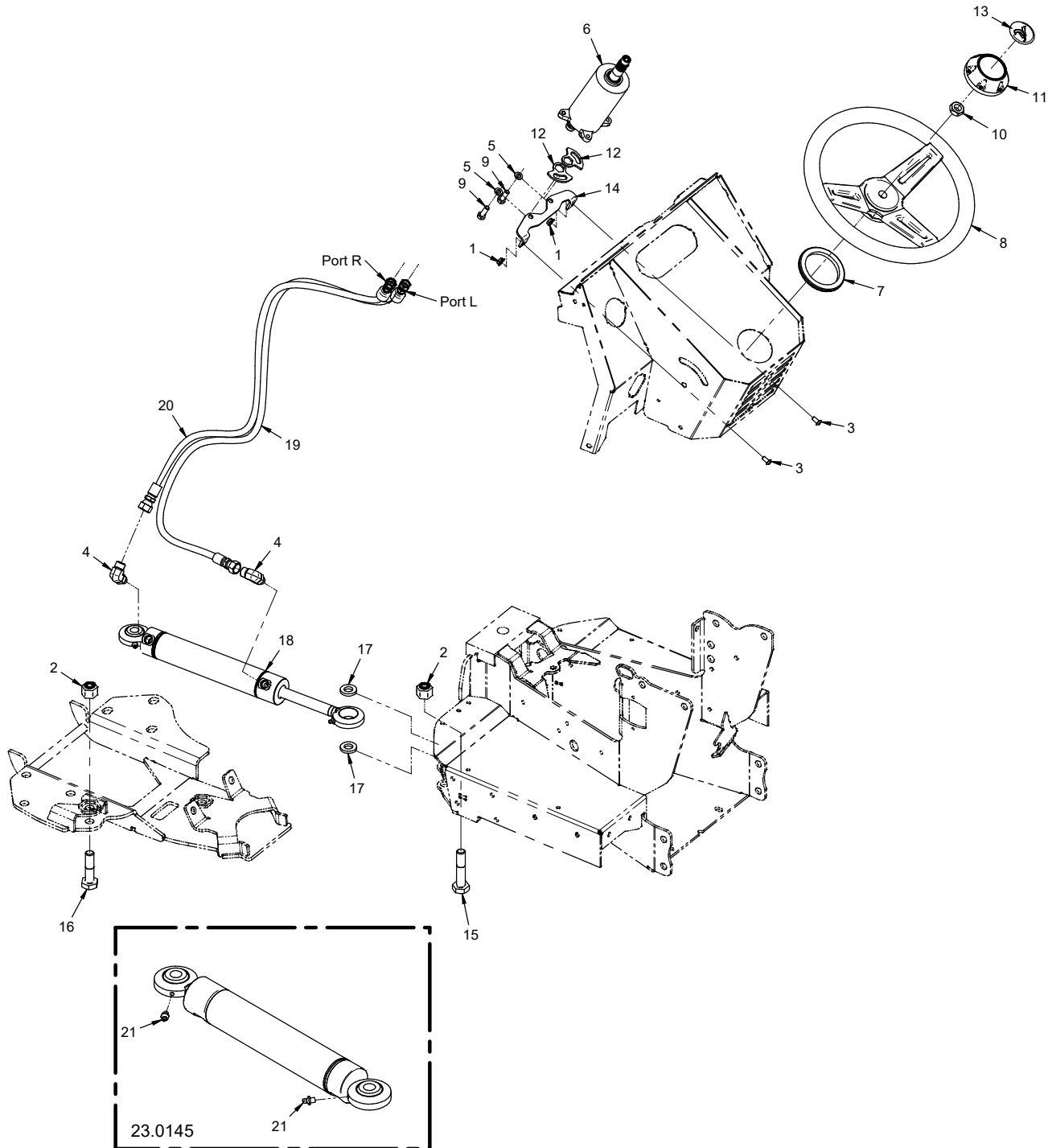
# HYDRAULICS, AXLES, & WHEELS

## Hydraulic Oil Tank

REF.	PART NO.	DESCRIPTION	QTY.
1	11.0046	Clamp, Cushioned 1/2" 2-Tube	1
2	99.SF04	Nut, SRF 1/4-20 USS	1
3	99.SF0405-1	Bolt, SMF 1/4-20 X 5/8	1
4	99.SF0403	Bolt, SRF 1/4-20 X 3/8	2
5	25.6902-12-12	Fitting, 45 MFE 3/4 x 3/4	1
6	25.FF2651MP-08-08-08-08	Fitting, Cross 08FF	1
7	25.5405-12-08	Fitting, Reducer 3/4 X 1/2	1
8	99.0403	Bolt, 1/4-20 X 3/8 BSCS	1
9	29.0126	Fitting, Cap 1" FP	1
10	29.BF08MP06	Fitting, 1/2 Barb x 3/8 MP St	1
11	29.BF04MP0490	Fitting, 1/4 Barb x 1/4 MP 90	1
12	KN-6052	Tank, Steel Hydraulic 4520	1
13	27.F04-30IN	Hose, Fuel Line x 1/4 x 30"	1
14	27.T06-3-32IN	Tube, Silicon 3/8" ID	1
15	22.0080	Hose, 1/2x19.00 ASTM D380 / ASTM D6751	1
16	25.4603-06-06	Fitting, 45 ME 06 HB x 06 MAORB	1
17	05.0140	Grommet, 5/8 ID, 1-1/8 OD, 3/8T	1
18	00.0340	Decal, Hydraulic Oil	1
19	11.0048	Clamp, Hose Band 9/16" OD Hose	3
20	29.BF06MP0490	Fitting, 3/8 Barb x 1/4 MP 90	1

# HYDRAULICS, AXLES, & WHEELS

## ILLUSTRATED DRAWING Hydraulic Steering System



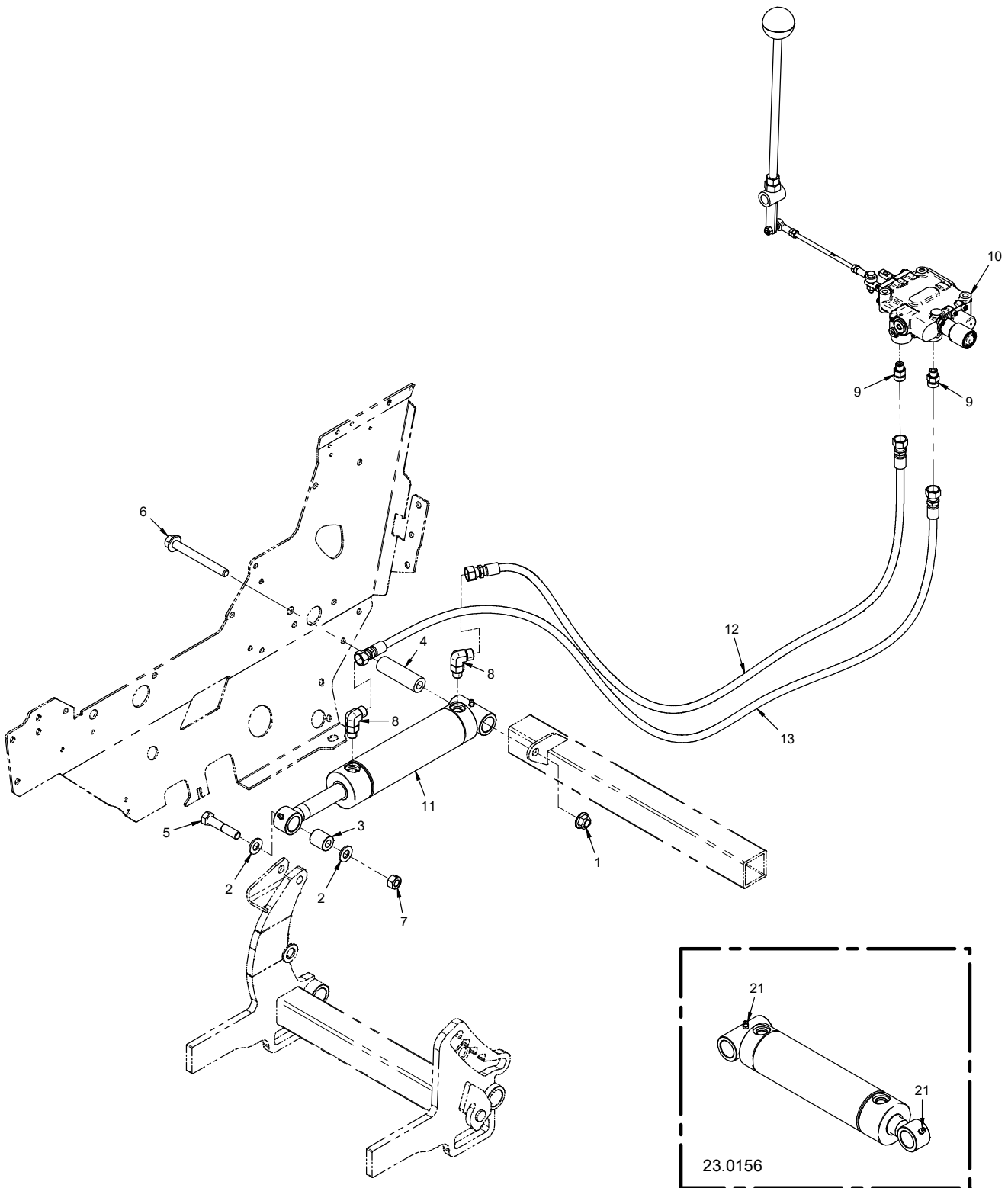
# HYDRAULICS, AXLES, & WHEELS

## Hydraulic Steering System

REF.	PART NO.	DESCRIPTION	QTY.
1	99.SF04	Nut, SRF 1/4-20 USS	2
2	99.E0095	Locknut, 5/8-11 Heavy Nylon	2
3	99.0404	Bolt, 1/4-20 x 1/2 BSCS	2
4	25.FF6801-06-06	Fitting, 90 Elbow - 6MFF X 6MB	2
5	96.05	Washer, Lock 5/16	2
6	23.0199	Valve, Steering	1
7	05.0080	Grommet, 2-3/4 ID, 3-5/8 OD, 5/16T	1
8	47.0117	Steering Wheel, 16mm X 40T	1
9	99.M0009	Bolt, M8 X 1.25 P X 25MM	2
10	99.E0011	Nut, Jam 5/8-18 SAE	1
11	47.0118	Cap, Steering Wheel	1
12	64.1623	Plate, Fitting Lock	2
13	00.0207	Decal, Ventrac Dome	1
14	KN-1055	Bracket, Steering Valve MT	1
15	99.K0132	Bolt, 5/8-11 X 3 Grd A325	1
16	99.K0112	Bolt, 5/8-11 X 2-1/2 Grd A325	1
17	64.1725	Spacer, Steering Cylinder	2
18	23.0145	Cylinder, 1-3/4" X 8 Steering	1
19	20.0401	Hose, 1/4x43.00 SAE 100R17AR	1
20	20.0402	Hose, 1/4x36.00 SAE 100R17AR	1
21	29.GF0001	Grease Ftg, 1/4 SAE St.	2

# HYDRAULICS, AXLES, & WHEELS

## ILLUSTRATED DRAWING Front Hitch Hydraulic Lift



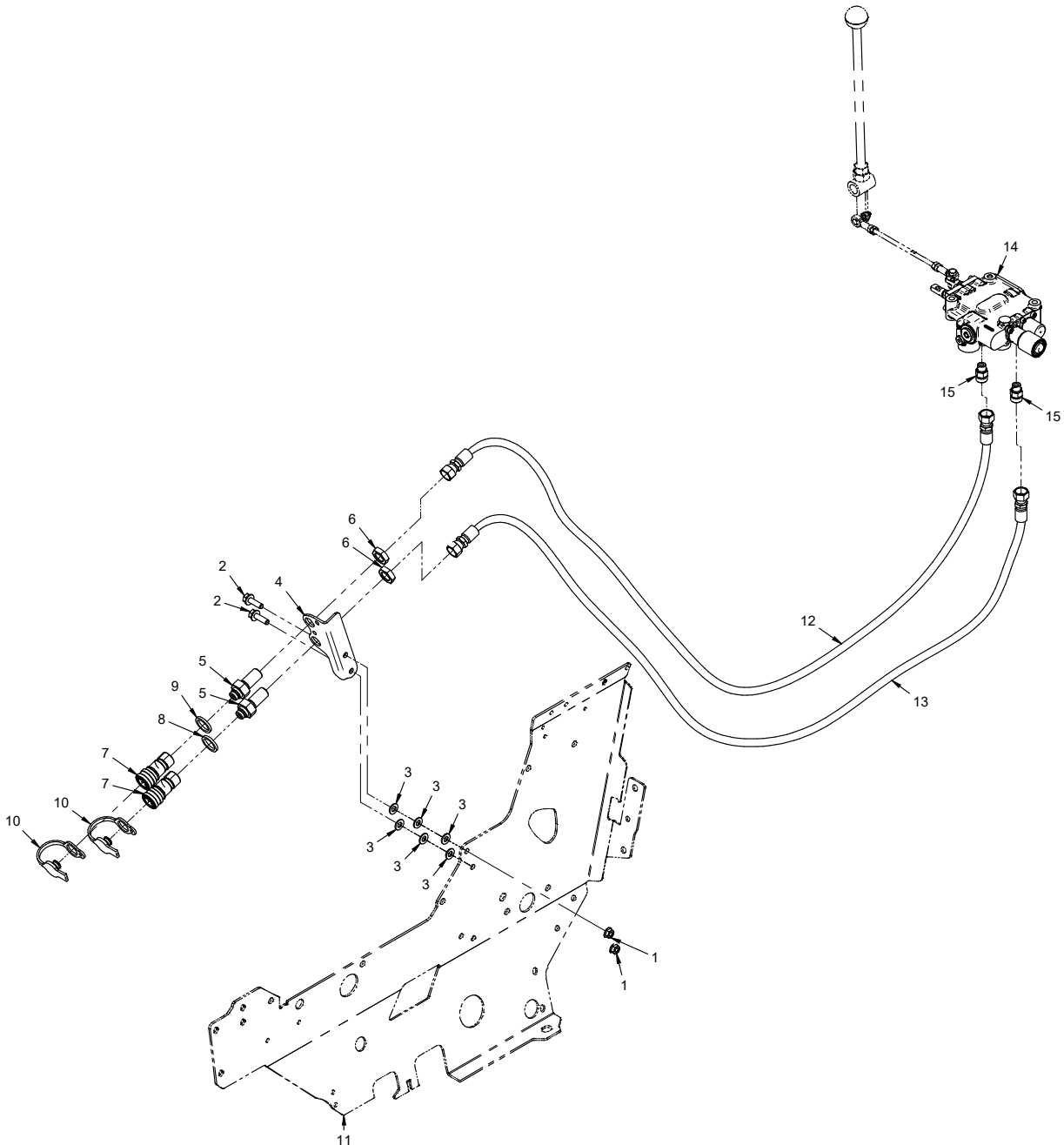
# HYDRAULICS, AXLES, & WHEELS

## Front Hitch Hydraulic Lift

REF.	PART NO.	DESCRIPTION	QTY.
1	99.E0103	Nut, Locking Flange 1/2-13	1
2	95.08	Washer, Flat 1/2 SAE	2
3	64.1712	Bushing, Steel .516 x 1.000	1
4	64.1631	Bushing, Lift Cylinder Rear	1
5	90.0820	Bolt, 1/2-13 USS x 2-1/2	1
6	99.SF0836-1	BOLT, SMF 1/2-13 X 4-1/2	1
7	99.A08C	Locknut, Center 1/2-13	1
8	25.FF6801-06-06	Fitting, 90 Elbow - 6MFF X 6MB	2
9	25.FF6400-06-06	Fitting, Connector -06MFF x -06MB	2
10	23.0201	Valve, 2 Spool W/LH Flt, RH SP (See Hydraulics, Axles, & Wheels Section for details)	1
11	23.0156	Cylinder, 2-1/4" x 7" Lift	1
12	20.0397	Hose, 1/4x48.00 SAE 100R17AR	1
13	20.0398	Hose, 1/4x58.00 SAE 100R17AR	1
21	29.GF0001	Grease Ftg, 1/4 SAE ST	2

# HYDRAULICS, AXLES, & WHEELS

## ILLUSTRATED DRAWING Auxiliary Hydraulic Quick Couplers





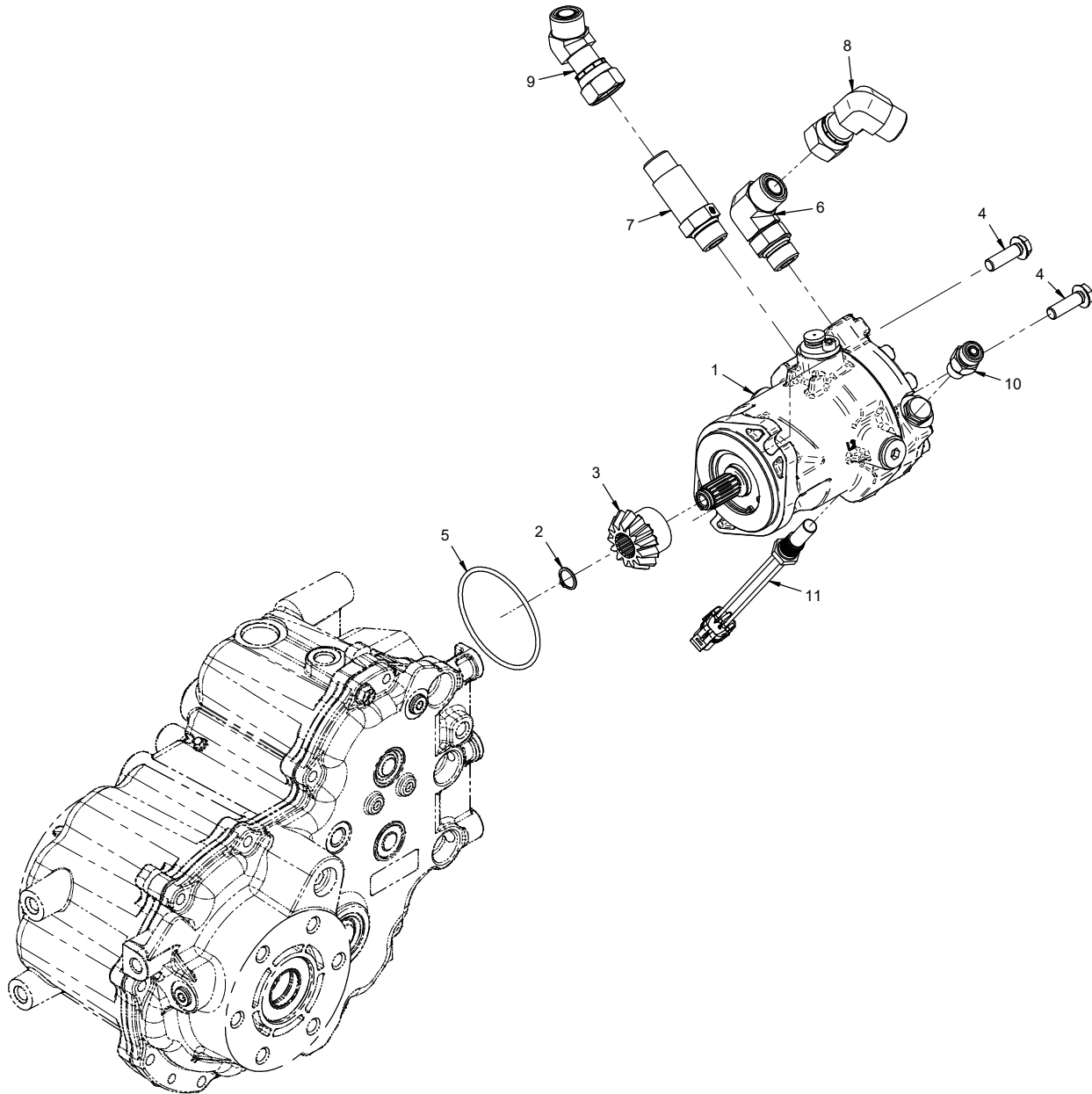
# HYDRAULICS, AXLES, & WHEELS

## Auxiliary Hydraulic Quick Couplers

REF.	PART NO.	DESCRIPTION	QTY.
1	99.SF05	Nut, SRF 5/16-18 USS	2
2	99.SF0508-1	Bolt, SMF 5/16-18 x 1	2
3	95.05	Washer, Flat 5/16 SAE	6
4	KN-1064	Bracket, Hyd Coupler 2 Pos	1
5	25.FF2764-06-06-LN	Fitting, Bulkhead Straight 3/8 W/Locknut	2
6	25.FF306-06	Locknut, -06 Bulkhead Fitting	2
7	23.0197	Coupler, Hyd Quick Female 1/4 ORB	2
8	05.0190	Washer, .905 ID x 1.170 x .140 Red	1
9	05.0191	Washer, .905 ID x 1.170 x .140 Yellow	1
10	23.0126	Plug, Dust	2
11	KN-1078	Panel, Main Right	1
12	20.0398	Hose, 1/4x58.00 SAE 100R17AR	1
13	20.0398	Hose, 1/4x58.00 SAE 100R17AR	1
14	23.0201	Valve, 2 Spool W/LH Flt, RH SP	1
15	25.FF6400-06-06	Fitting, Connector -06MF x -06MB	2

# HYDRAULICS, AXLES, & WHEELS

## ILLUSTRATED DRAWING Front Hydraulic Motor Mount & Fittings



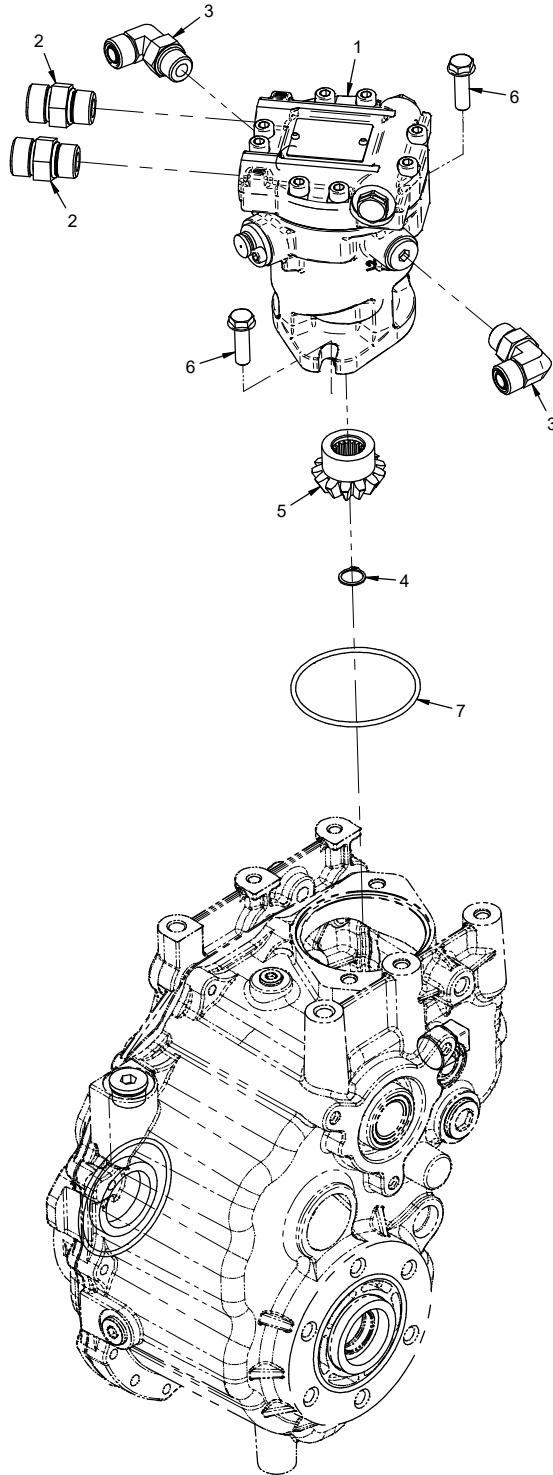
# HYDRAULICS, AXLES, & WHEELS

## Front Hydraulic Motor Mount & Fittings

REF.	PART NO.	DESCRIPTION	QTY.
1	21.0149	Motor, Hyd. Danfoss 20cc/Rev	1
2	04.0015	Snap Ring, Ext .039 x .588	1
3	87.0259	Gear, Pinion Motor to Axle	1
4	99.SF0610-1	Bolt, SMF 3/8-16 USS x 1-1/4	2
5	26.0024	O-ring 3-1/8 x 3-3/8 x 1/8	1
6	25.FF6801-10-10	Fitting, 90 Elbow -10MF x -10MB	1
7	25.FF6400-L-10-10	Fitting, Connector Long -10MF x -10MB	1
8	25.FF6500-10-10	Fitting, 90 Elbow -10MF x -10FF	1
9	25.FF6502-10-10	Fitting, 45 Elbow -10MF x -10FF	1
10	23.0200	Valve, Check Parker 5 PSI, 06 ORB	1
11	13.0341	Switch, Temp -06 SAE ORB	1

# HYDRAULICS, AXLES, & WHEELS

## ILLUSTRATED DRAWING Rear Hydraulic Motor Mount & Fittings



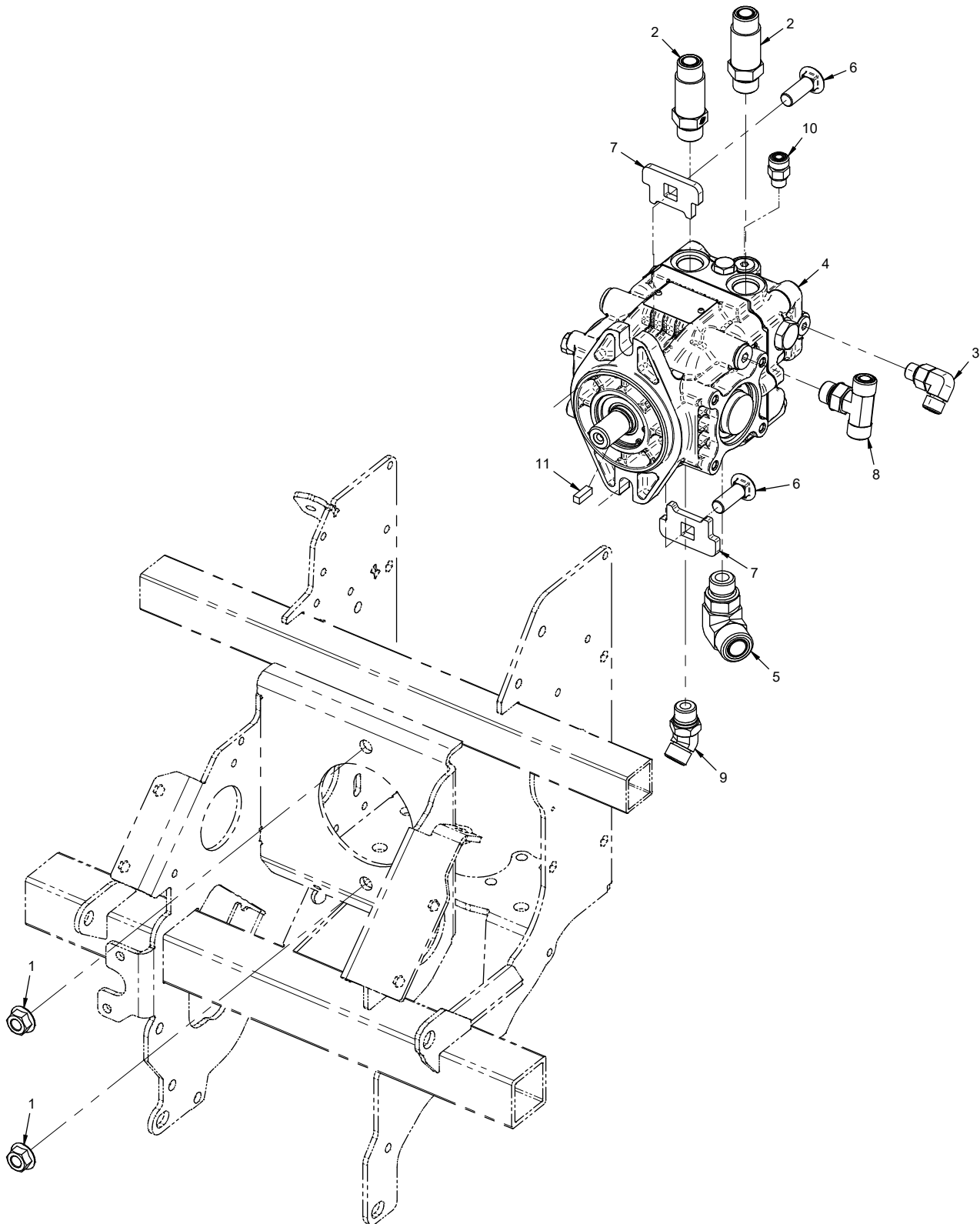
# HYDRAULICS, AXLES, & WHEELS

## Rear Hydraulic Motor Mount & Fittings

REF.	PART NO.	DESCRIPTION	QTY.
1	21.0149	Motor, Hyd. Danfoss 20cc/Rev	1
2	25.FF6400-10-10	Fitting, Connector 10MFF x 10MB	2
3	25.FF6801-08-08	Fitting, 90 Elbow 8MFF x 8MB	2
4	04.0015	Snap Ring, Ext .039 x .588	1
5	87.0259	Gear, Pinion Motor to Axle	1
6	99.SF0610-1	Bolt, SMF 3/8-16 USS x 1-1/4	2
7	26.0024	O-ring 3-1/8 x 3-3/8 x 1/8	1

# HYDRAULICS, AXLES, & WHEELS

## ILLUSTRATED DRAWING Hydraulic Pump Mount & Fittings



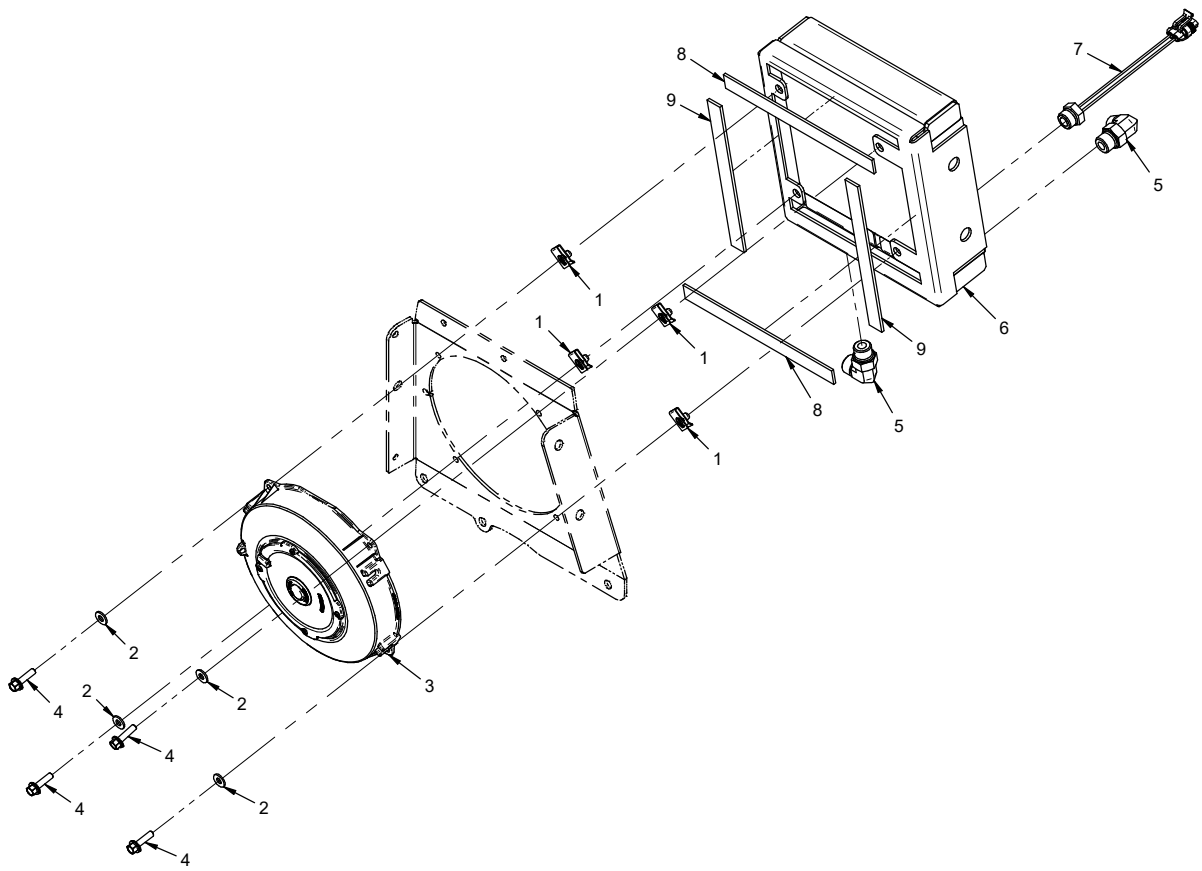
# HYDRAULICS, AXLES, & WHEELS

## Hydraulic Pump Mount & Fittings

REF.	PART NO.	DESCRIPTION	QTY.
1	99.SF08	Nut, SRF 1/2-13 USS	2
2	25.FF6400-L-10-10	Fitting, Connector Long -10MF x -10MB	2
3	25.FF6801-06-06	Fitting, 90 Elbow - 6MFF X 6MB	1
4	21.0148	Pump, Hyd. Danfoss 20cc	1
5	25.FF6801-12-10	Fitting, 90 Elbow -12MF x -10MB	1
6	97.0812	Bolt, Carriage 1/2-13 x 1 1/2	2
7	KN-1089	Plate, Pump Bolt Mount	2
8	25.FF6803-8-8-8	Fitting, Tee -08MF x -08MF x -08MB	1
9	25.FF6802-08-08	Fitting, 45 Elbow - 8Mff X 8Mb	1
10	25.6400-06-06	Fitting, M Conn 3/8 x 3/8	1
11	85.K0406	Key, 1/4 X 3/4	1

# HYDRAULICS, AXLES, & WHEELS

## ILLUSTRATED DRAWING Hydraulic Oil Cooler & Fan





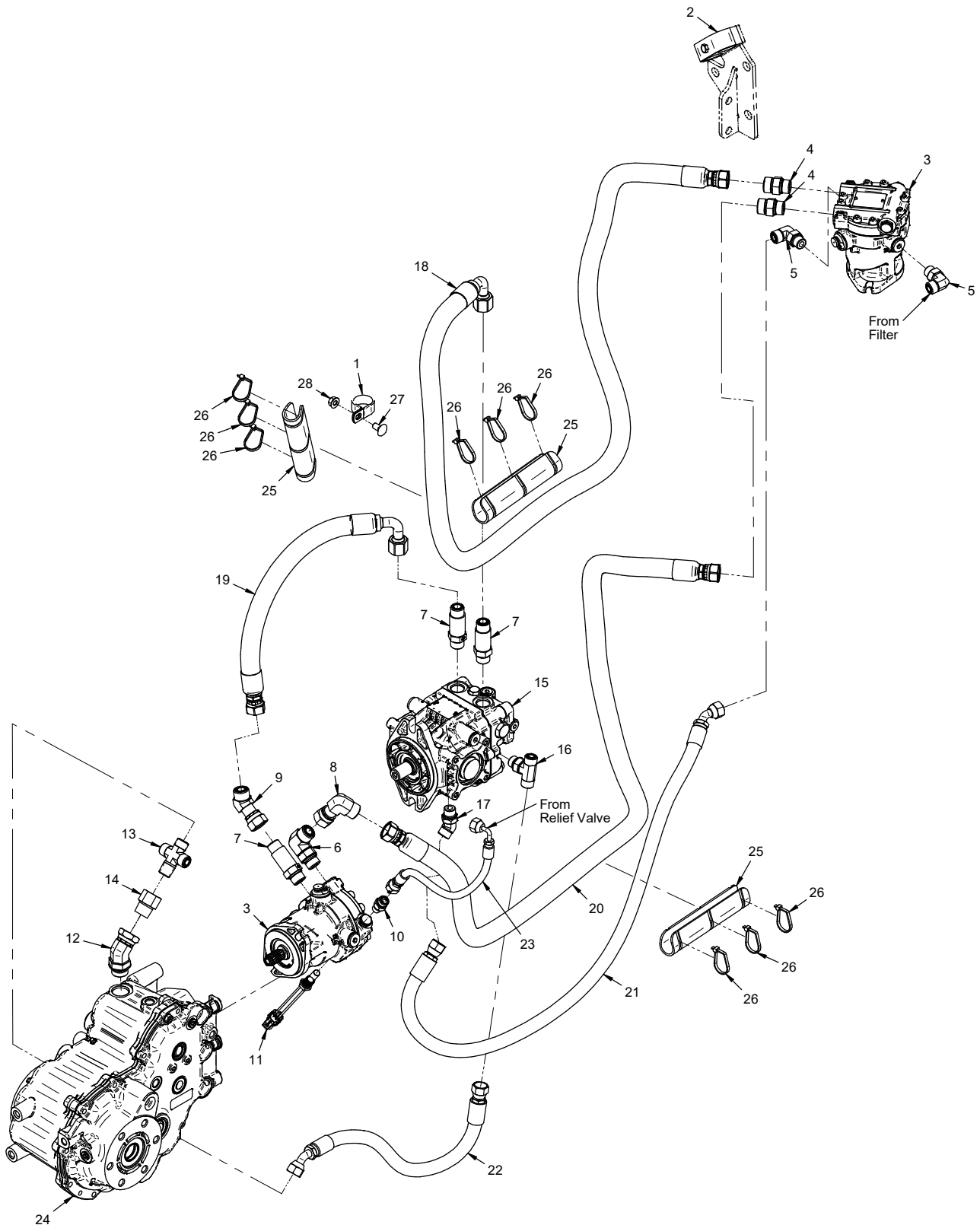
# HYDRAULICS, AXLES, & WHEELS

## Hydraulic Oil Cooler & Fan

REF.	PART NO.	DESCRIPTION	QTY.
1	99.E0046	Nut, "U" 1/4-20 Extruded	4
2	95.04	Washer, Flat 1/4 SAE	4
3	37.0057	Fan, Electric 7.5"	1
4	99.SF0408	Bolt, SRF 1/4 x 1 USS	4
5	25.FF6801-08-08	Fitting, 90 Elbow 8MFF x 8MB	2
6	21.0155	Cooler, Hydraulic	1
7	13.0239	Switch, Temperature 170F	1
8	06.0045-8.75IN	Weatherstrip, 1/8 X 3/4 X 8-3/4"	2
9	06.0045-8.25IN	Weatherstrip, 1/8 X 3/4 X 8-1/4"	2

# HYDRAULICS, AXLES, & WHEELS

## ILLUSTRATED DRAWING Hydraulic Drive Circuit Hoses



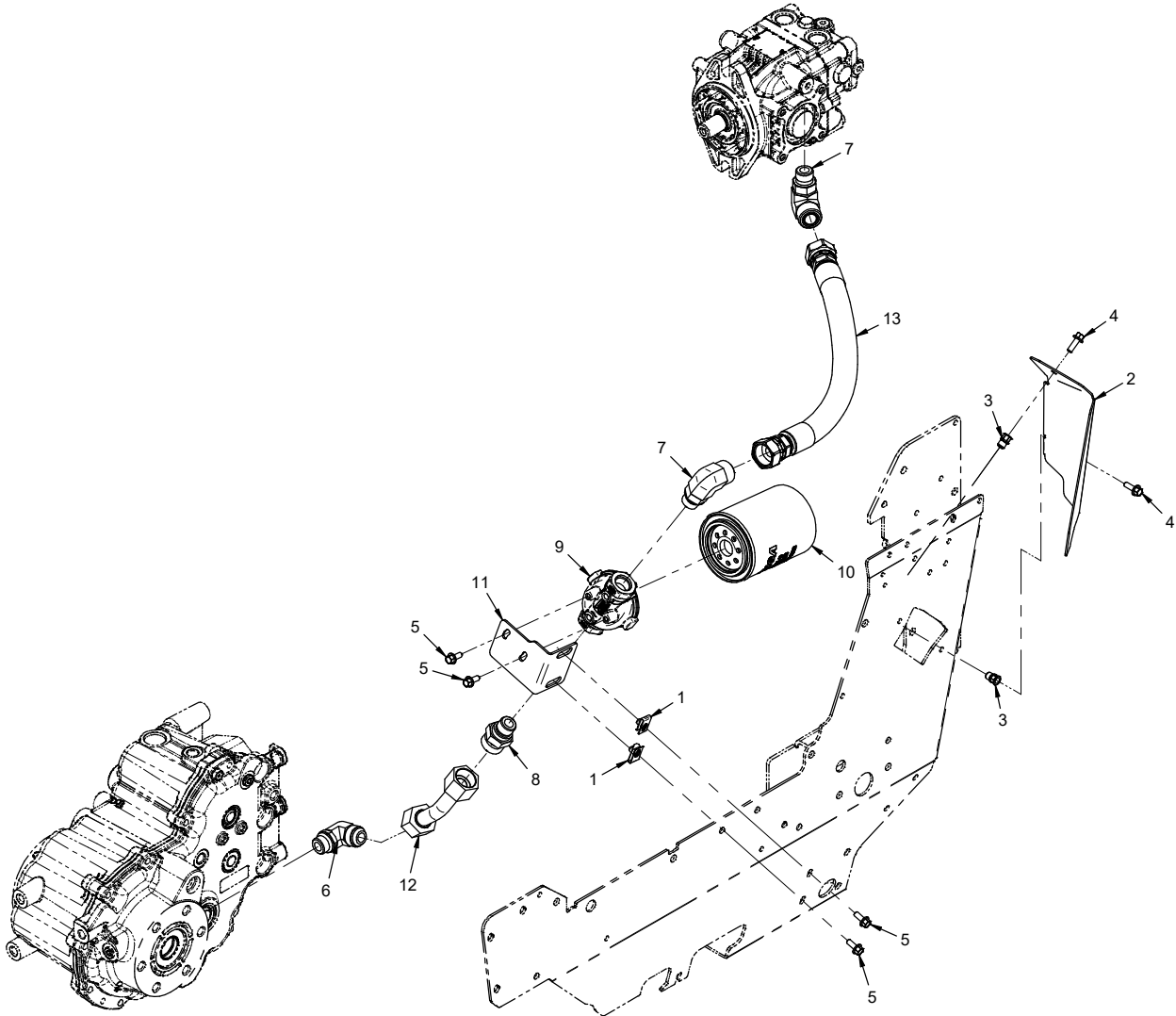
# HYDRAULICS, AXLES, & WHEELS

## Hydraulic Drive Circuit Hoses

REF.	PART NO.	DESCRIPTION	QTY.
1	44.0418	Clamp, 1-1/4" Loop Vinyl Cushion	1
2	44.0416	Clamp, Hyd Hose 32mm ID 2 Cavity	1
3	21.0149	Motor, Hyd. Danfoss 20cc/Rev	2
4	25.FF6400-10-10	Fitting, Connector 10MFF x 10MB	2
5	25.FF6801-08-08	Fitting, 90 Elbow 8MFF x 8MB	2
6	25.FF6801-10-10	Fitting, 90 Elbow -10MF x -10MB	1
7	25.FF6400-L-10-10	Fitting, Connector Long -10MF x -10MB	3
8	25.FF6500-10-10	Fitting, 90 Elbow -10MF x -10FF	1
9	25.FF6502-10-10	Fitting, 45 Elbow -10MF x -10FF	1
10	23.0200	Valve, Check Parker 5 PSI, 06 ORB	1
11	13.0341	Switch, Temp -06 SAE ORB	1
12	25.6902-12-12	Fitting, 45 MFE 3/4 x 3/4	1
13	25.FF2651MP-08-08-08-08	Fitting, Cross 08FF	1
14	25.5405-12-08	Fitting, Reducer 3/4 X 1/2	1
15	21.0148	Pump, Hyd. Danfoss 20cc	1
16	25.FF6803-8-8-8	Fitting, Tee -08MF x -08MF x -08MB	1
17	25.FF6802-08-08	Fitting, 45 Elbow - 8Mff X 8Mb	1
18	20.0405	Hose, 3/4x75.50 SS Braid PTFE	1
19	20.0406	Hose, 3/4x20.00 SS Braid PTFE	1
20	20.0414	Hose, 5/8 x 53.00 SAE 100R16	1
21	22.0079	Hose, 1/2x49.00 ASTM D380 / ASTM D6751	1
22	22.0081	Hose, 1/2x29.00 ASTM D380 / ASTM D6751	1
23	22.0089	Hose, 1/4x12.50 ASTM D380 / ASTM D6751	1
24	51.0087	Transaxle, Peerless	1
25	44.0258	Sleeve, Hose Protector 8"	3
26	30.0204	Tyton Tie, #50 .190 x 12"	9
27	97.0606	Bolt, Carriage 3/8-16 x 3/4	1
28	99.SF06	Nut, SRF 3/8-16 USS	1

# HYDRAULICS, AXLES, & WHEELS

## ILLUSTRATED DRAWING Pump Supply Line & Main Hydraulic Filter



# HYDRAULICS, AXLES, & WHEELS

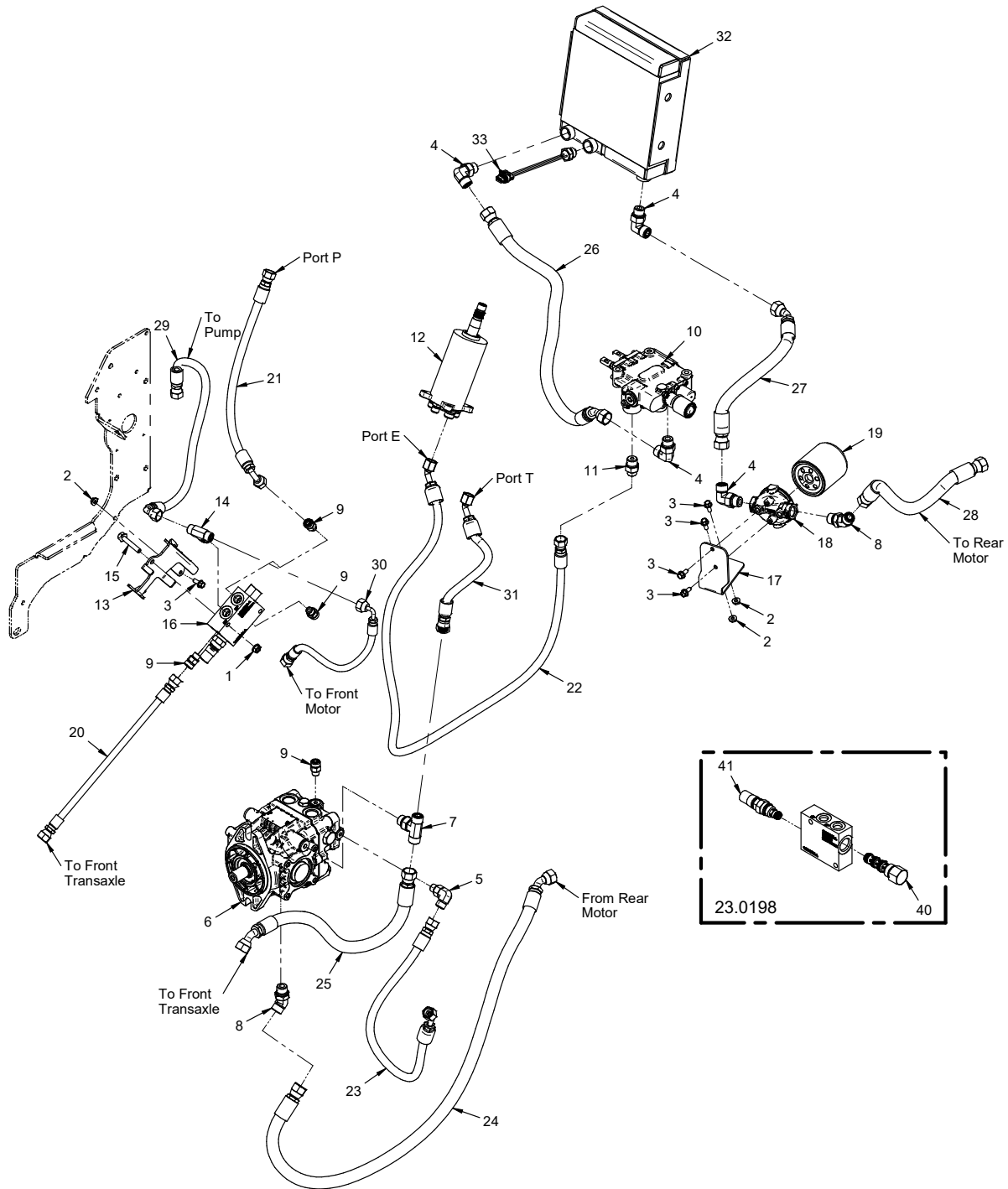
## Pump Supply Line & Main Hydraulic Filter

REF.	PART NO.	DESCRIPTION	QTY.
1	99.E0046	Nut, "U" 1/4-20 Extruded	2
2	60.1154	Cover, Hyd Filter Access	1
3	99.E0105	Nut, Insert 1/4-20 Hex	2
4	99.SF0406-1	Bolt, SMF 1/4-20 X 3/4	2
5	99.SF0405-1	Bolt, SMF 1/4-20 X 5/8	4
6	25.6801-12-10	Fitting, 90 ME 3/4 x 5/8	1
7	25.FF6801-12-10	Fitting, 90 Elbow -12MF x -10MB	2
8	25.FF6400-12-10	Fitting, Connector -12MFF x -10MB	1
9	21.0119	Filter, Head -10 ORB Ports	1
10	21.0122	Filter, Hyd. 25 Micron Syn.	1
11	KN-1105	Bracket, Oil Filter Mounting	1
12	20.0403	Steel Tube, 3/4" OD x .065 Wall	1
13	22.0088	Hose, 3/4x16.00 SAE 100R4ExFlex	1

# HYDRAULICS, AXLES, & WHEELS

## ILLUSTRATED DRAWING

### Hydraulic Implement Circuit Supply & Return (Serial # 01001-03324)



# HYDRAULICS, AXLES, & WHEELS

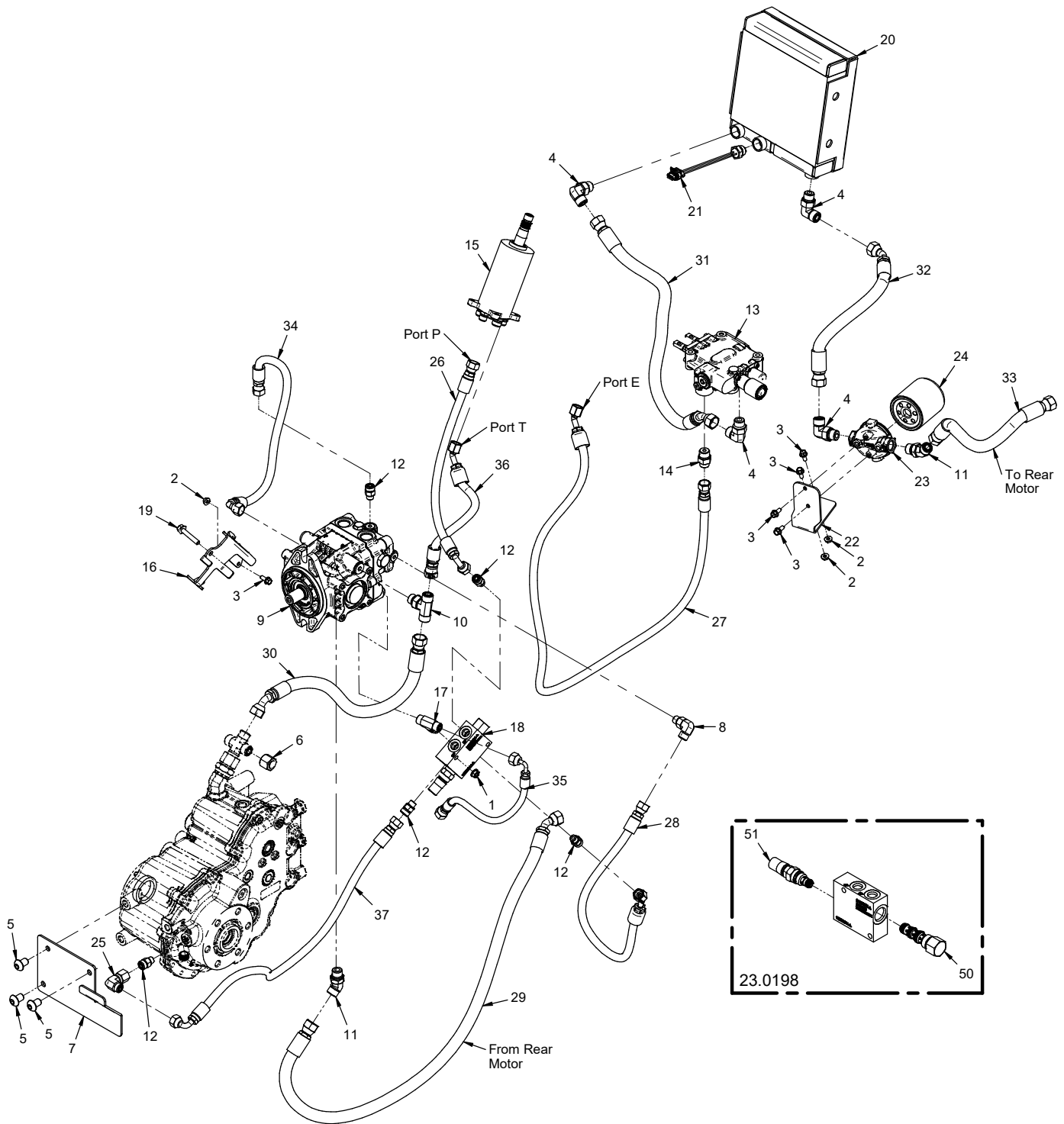
## Hydraulic Implement Circuit Supply & Return (Serial # 01001-03324)

REF.	PART NO.	DESCRIPTION	QTY.
1	99.SF05	Nut, SRF 5/16-18 USS	1
2	99.SF04	Nut, SRF 1/4-20 USS	3
3	99.SF0405-1	Bolt, SMF 1/4-20 X 5/8	5
4	25.FF6801-08-08	Fitting, 90 Elbow 8MFF x 8MB	4
5	25.FF6801-06-06	Fitting, 90 Elbow - 6MFF X 6MB	1
6	21.0148	Pump, Hyd. Danfoss 20cc	1
7	25.FF6803-8-8-8	Fitting, Tee -08MF x -08MF x -08MB	1
8	25.FF6802-08-08	Fitting, 45 Elbow - 8Mff X 8MB	2
9	25.FF6400-06-06	Fitting, Connector -06MFF x -06MB	4
10	23.0201	Valve, 2 Spool W/LH Flt, RH	1
11	25.FF6400-06-08	Fitting, Connector 06MFF x 08MB	1
12	23.0199	Valve, Steering	1
13	KN-1033	Mount, Priority Valve	1
14	25.FF6803-6-6-6	Fitting, Tee -06MF x -06MF x -06MB	1
15	99.SF0514-1	Bolt, SMF 5/16-18 x 1-3/4	1
16	23.0198	Valve Block, Priority/Relief	1
17	KN-1000	Bracket, Filter Mount	1
18	21.0154	Filter, Head 08 ORB	1
19	21.0124	Filter, Hyd. 10 Micron Cel.	1
20	22.0091	Hose, 1/4x14.50 ASTM D380/ASTM D6751	1
21	20.0394	Hose, 3/8x18.50 SAE 100R17AR	1
22	20.0395	Hose, 3/8x59.00 SAE 100R17AR	1
23	20.0396	Hose, 3/8x19.00 SAE 100R17AR	1
24	22.0079	Hose, 1/2x49.00 ASTM D380 / ASTM D6751	1
25	22.0081	Hose, 1/2x29.00 ASTM D380 / ASTM D6751	1
26	22.0082	Hose, 1/2x32.00 ASTM D380 / ASTM D6751	1
27	22.0084	Hose, 1/2x14.50 ASTM D380 / ASTM D6751	1
28	22.0085	Hose, 1/2x15.00 ASTM D380 / ASTM D6751	1
29	22.0086	Hose, 3/8x21.00 ASTM D380 / ASTM D6751	1
30	22.0089	Hose, 1/4x12.50 ASTM D380 / ASTM D6751	1
31	22.0090	Hose, 3/8x9.50 ASTM D380 / ASTM D6751	1
32	21.0155	Cooler, Hydraulic	1
33	13.0239	Switch, Temperature 170F	1
40	23.0213	Valve, Priority Cartridge	1
41	23.0214	Valve, Cartridge, Relief Valve	1

# HYDRAULICS, AXLES, & WHEELS

## ILLUSTRATED DRAWING

### Hydraulic Implement Circuit Supply & Return (Serial # 03325-)





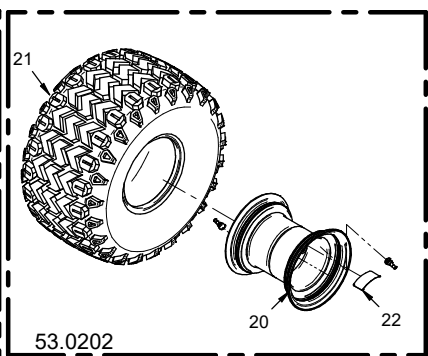
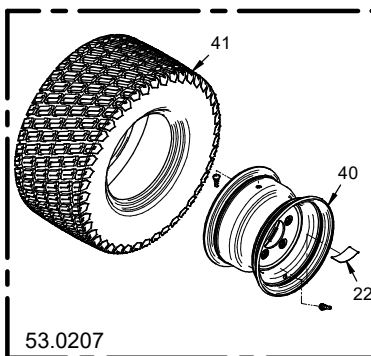
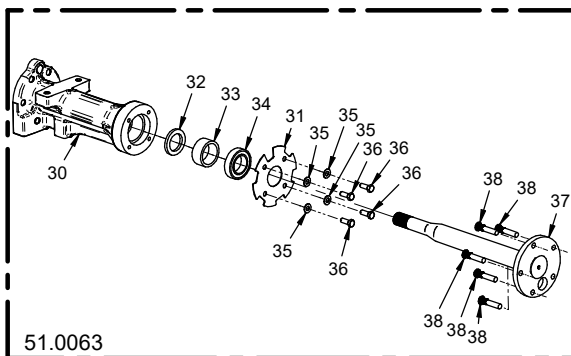
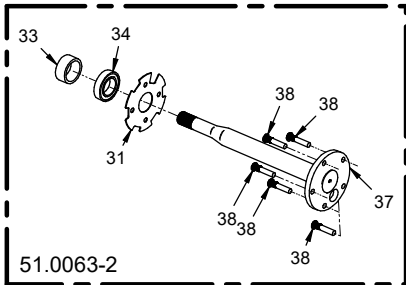
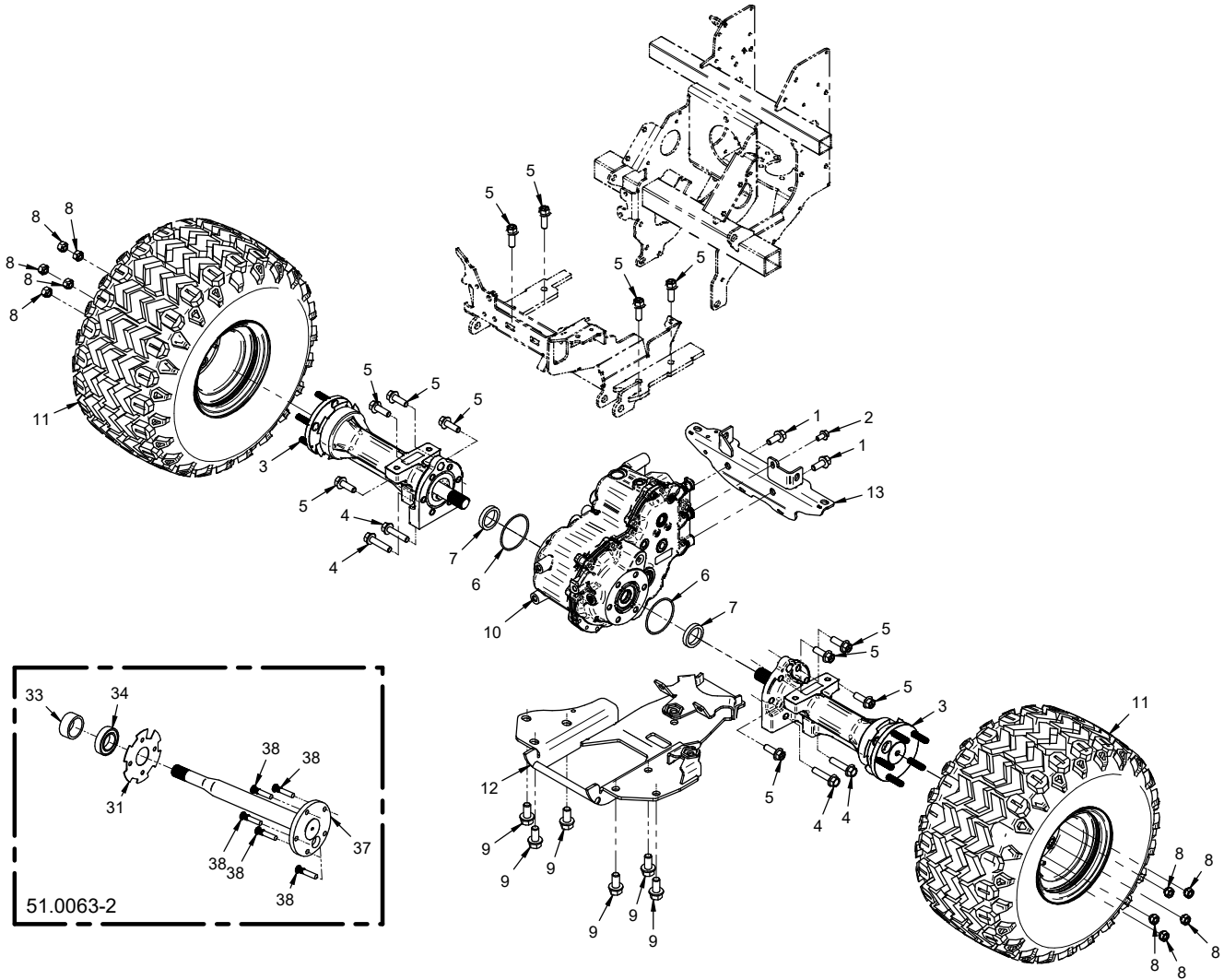
# HYDRAULICS, AXLES, & WHEELS

## Hydraulic Implement Circuit Supply & Return (Serial # 03325-)

REF.	PART NO.	DESCRIPTION	QTY.
1	99.SF05	Nut, SRF 5/16-18 USS	1
2	99.SF04	Nut, SRF 1/4-20 USS	3
3	99.SF0405-1	Bolt, SMF 1/4-20 X 5/8	5
4	25.FF6801-08-08	Fitting, 90 Elbow 8MFF x 8MB	4
5	99.0806	Bolt, 1/2-13 X 3/4	3
6	25.FF304-C-06-CP	Fitting, Cap -08 ORFS	1
7	KN-533	Shield, Pressure Relief Hose	1
8	25.FF6801-06-06	Fitting, 90 Elbow - 6MFF X 6MB	1
9	21.0148	Pump, Hyd. Danfoss 20cc	1
10	25.FF6803-8-8-8	Fitting, Tee -08MF x -08MF x -08MB	1
11	25.FF6802-08-08	Fitting, 45 Elbow - 8Mff X 8MB	2
12	25.FF6400-06-06	Fitting, Connector -06MFF x -06MB	5
13	23.0201	Valve, 2 Spool W/LH Flt, RH	1
14	25.FF6400-06-08	Fitting, Connector 06MFF x 08MB	1
15	23.0199	Valve, Steering	1
16	KN-1033	Mount, Priority Valve	1
17	25.FF6803-6-6-6	Fitting, Tee -06MF x -06MF x -06MB	1
18	23.0198	Valve Block, Priority/Relief	1
19	99.SF514-1	Bolt, SMF 5/16-18 x 1-3/4	1
20	21.0155	Cooler, Hydraulic	1
21	13.0239	Switch, Temperature 170F	1
22	KN-1000	Bracket, Filter Mount	1
23	21.0154	Filter, Head 08 ORB	1
24	21.0124	Filter, Hyd. 10 Micron Cel.	1
25	25.FF6500-06-06	Fitting, 90 Elbow 6Mff X 6Ffs	1
26	20.0394	Hose, 3/8x18.50 SAE 100R17AR	2
27	20.0395	Hose, 3/8x59.00 SAE 100R17AR	2
28	20.0396	Hose, 3/8x19.00 SAE 100R17AR	2
29	22.0079	Hose, 1/2x49.00 ASTM D380 / ASTM D6751	2
30	22.0081	Hose, 1/2x29.00 ASTM D380 / ASTM D6751	2
31	22.0082	Hose, 1/2x32.00 ASTM D380 / ASTM D6751	2
32	22.0084	Hose, 1/2x14.50 ASTM D380 / ASTM D6751	2
33	22.0085	Hose, 1/2x15.00 ASTM D380 / ASTM D6751	2
34	22.0086	Hose, 3/8x21.00 ASTM D380 / ASTM D6751	2
35	22.0089	Hose, 1/4x12.50 ASTM D380 / ASTM D6751	2
36	22.0090	Hose, 3/8x9.50 ASTM D380 / ASTM D6751	2
37	20.0419	Hose, 3/8x26.00 SAE 100R17AR	2
50	23.0213	Valve, Priority Cartridge	1
51	23.0214	Valve, Cartridge, Relief Valve	1

# HYDRAULICS, AXLES, & WHEELS

## ILLUSTRATED DRAWING Front Transaxle & Wheels



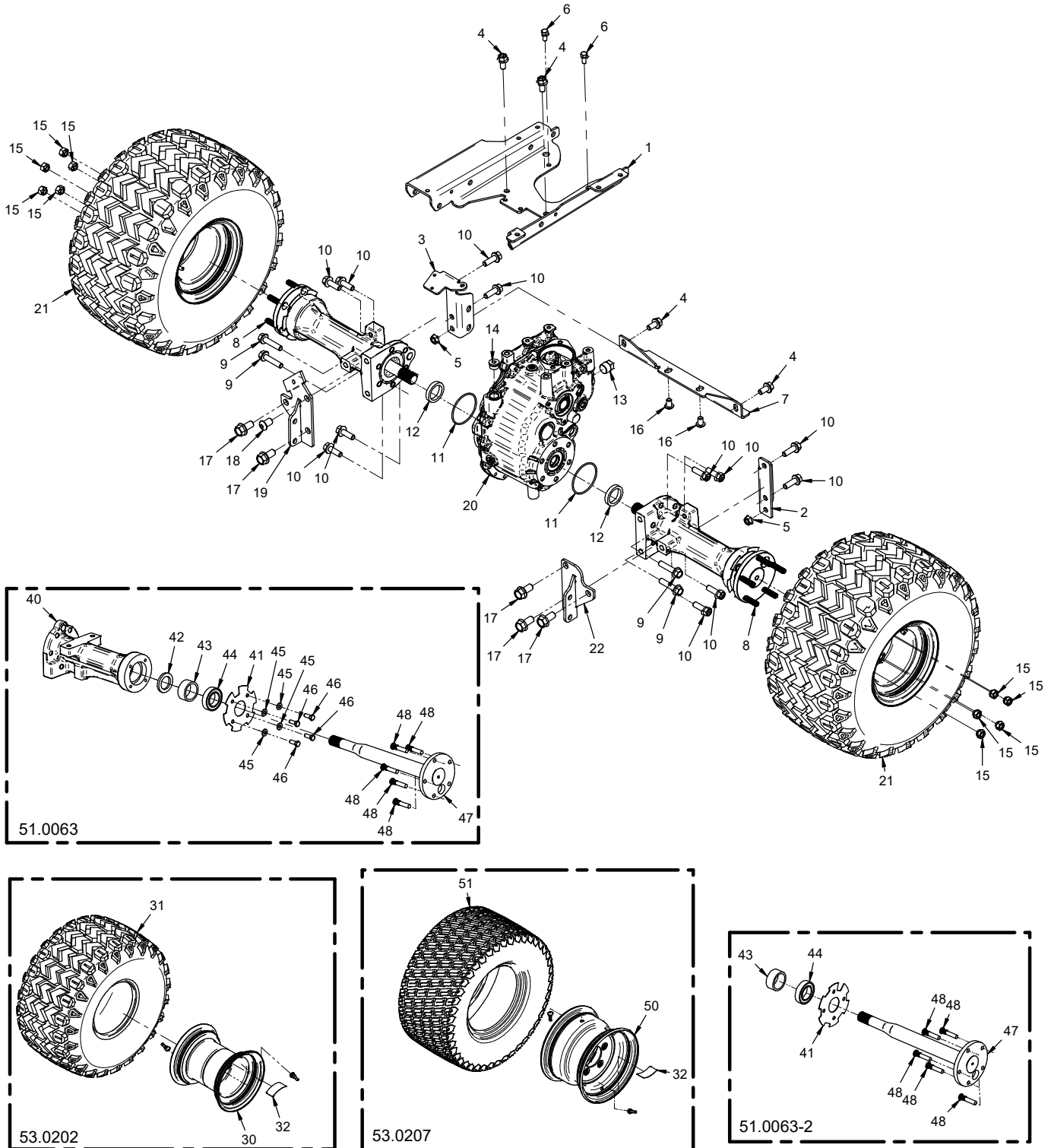
# HYDRAULICS, AXLES, & WHEELS

## Front Transaxle & Wheels

REF.	PART NO.	DESCRIPTION	QTY.
1	99.SF0810-1	Bolt, SMF 1/2-13 x 1-1/4	2
2	99.SF0606-1	Bolt, SMF 3/8-16 USS x 3/4	1
3	51.0063	Axle, Asm 40MM Forged Shaft	2
4	99.SF0818-1	Bolt, SMF 1/2-13 x 2-1/4	4
5	99.SF0812-1	Bolt, SMF 1/2-13 x 1-1/2	12
6	26.0024	O-ring 3-1/8 x 3-3/8 x 1/8	2
7	51.0022	Spacer, Axle For Housing Assy	2
8	99.E0044	Nut, Lug 7/16-20 SAE	10
9	99.SF1010-1	Bolt, SMF 5/8-11 x 1-1/4	6
10	29.P06H	Pipe, Plug 3/8 Hex ZP	1
11	51.0087	Transaxle, Peerless	1
12	53.0202	Wheel, Asm 22x12x8 Field Trax	2
13	62.1371	Frame, Connector Link Mount	1
14	KN-6013	Bracket, Connector Frame MT	1
20	53.0203	Rim, 8 X 8.5, 5 On 4.5 BC	1
21	53.0089	Tire, Field 22 X 12 X 8-No Rim	1
22	00.0645	Decal, Hub Side	1
30	51.0063-1	Housing, Axle Peerless KT	1
31	51.0063-4	Plate, Cover Peerless Axle	1
32	89.0074	Seal, Oil Peerless Axle 51.0063	1
33	51.0063-3	Spacer, Axle Peerless KT	1
34	55.0063	Bearing, Axle Peerless 51.0063	1
35	95.06	Washer, Flat 3/8 SAE	4
36	90.0608	Bolt, 3/8-16 USS x 1	4
37	51.0063-5	Shaft, Axle W/Hub Peerless	1
38	99.K0100	Bolt, Whl/Std 7/16-20 x 2-1/8	5
40	53.0208	Rim, 10 X 7 - 5 On 4.5 BC	1
41	53.0112	Tire, Turfmastr 22X11X10 No Rim	1

# HYDRAULICS, AXLES, & WHEELS

## ILLUSTRATED DRAWING Rear Transaxle & Wheels



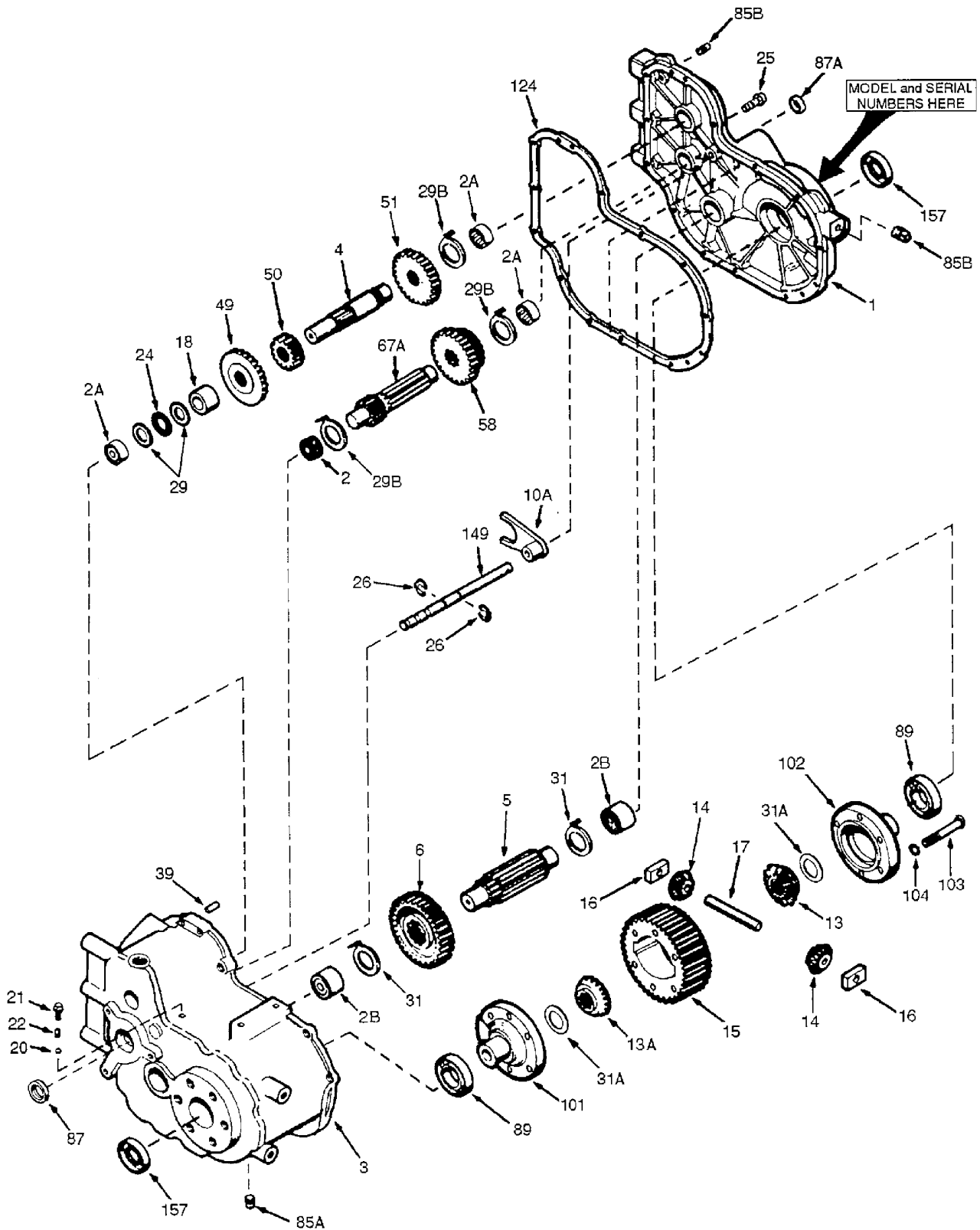
# HYDRAULICS, AXLES, & WHEELS

## Rear Transaxle & Wheels

REF.	PART NO.	DESCRIPTION	QTY.
1	KN-1027	.Frame, Rear Upper	1
2	64.1865	.Bracket, Rear Hitch Mt Left	1
3	KN-1032	.Bracket, Rear Hitch Mt Right	1
4	99.SF0808-1	.Bolt, SMF 1/2-13 x 1	4
5	99.SF08	.Nut, SRF 1/2-13 USS	2
6	99.SF0606-1	.Bolt, SMF 3/8-16 USS x 3/4	2
7	64.1864	.Bracket, Rear Transaxle	1
8	51.0063	.Axle, Asm 40MM Forged Shaft	2
9	99.SF0818-1	.Bolt, SMF 1/2-13 x 2-1/4	4
10	99.SF0812-1	.Bolt, SMF 1/2-13 x 1-1/2	12
11	26.0024	.O-ring 3-1/8 x 3-3/8 x 1/8	2
12	51.0022	.Spacer, Axle For Housing Assy	2
13	29.P12G	.Pipe, Plug 3/4" Galv. SQ ZP	1
14	25.6408-H-10	.Fitting, Plug 10MB x Hollow Allen	1
15	99.E0044	.Nut, Lug 7/16-20 SAE	10
16	99.0806	.Bolt, 1/2-13 X 3/4	2
17	99.SF1010-1	.Bolt, SMF 5/8-11 x 1-1/4	5
18	99.1008	.Bolt, 5/8-11 x 1 BSCS	1
19	KN-6025	.Bracket, Transaxle Mount Right	1
20	51.0087	.Transaxle, Peerless	1
21	53.0202	.Wheel, Asm 22x12x8 Field Trax	2
22	64.1594	.Bracket, Transaxle Mount Left	1
30	53.0203	.Rim, 8 X 8.5, 5 On 4.5 BC	1
31	53.0089	.Tire, Field 22 X 12 X 8-No Rim	1
32	00.0645	.Decal, Hub Side	1
40	51.0063-1	.Housing, Axle Peerless KT	1
41	51.0063-4	.Plate, Cover Peerless Axle	1
42	89.0074	.Seal, Oil Peerless Axle 51.0063	1
43	51.0063-3	.Spacer, Axle Peerless KT	1
44	55.0063	.Bearing, Axle Peerless 51.0063	1
45	95.06	.Washer, Flat 3/8 SAE	4
46	90.0608	.Bolt, 3/8-16 USS x 1	4
47	51.0063-5	.Shaft, Axle W/Hub Peerless	1
48	99.K0100	.Bolt, Whl/Std 7/16-20 x 2-1/8	5
50	53.0208	.Rim, 10 X 7 - 5 On 4.5 BC	1
51	53.0112	.Tire, Turfmastr 22X11X10 No Rim	1

# HYDRAULICS, AXLES, & WHEELS

## ILLUSTRATED DRAWING Peerless Transaxle (51.0087)



# HYDRAULICS, AXLES, & WHEELS

## Peerless Transaxle (51.0087)

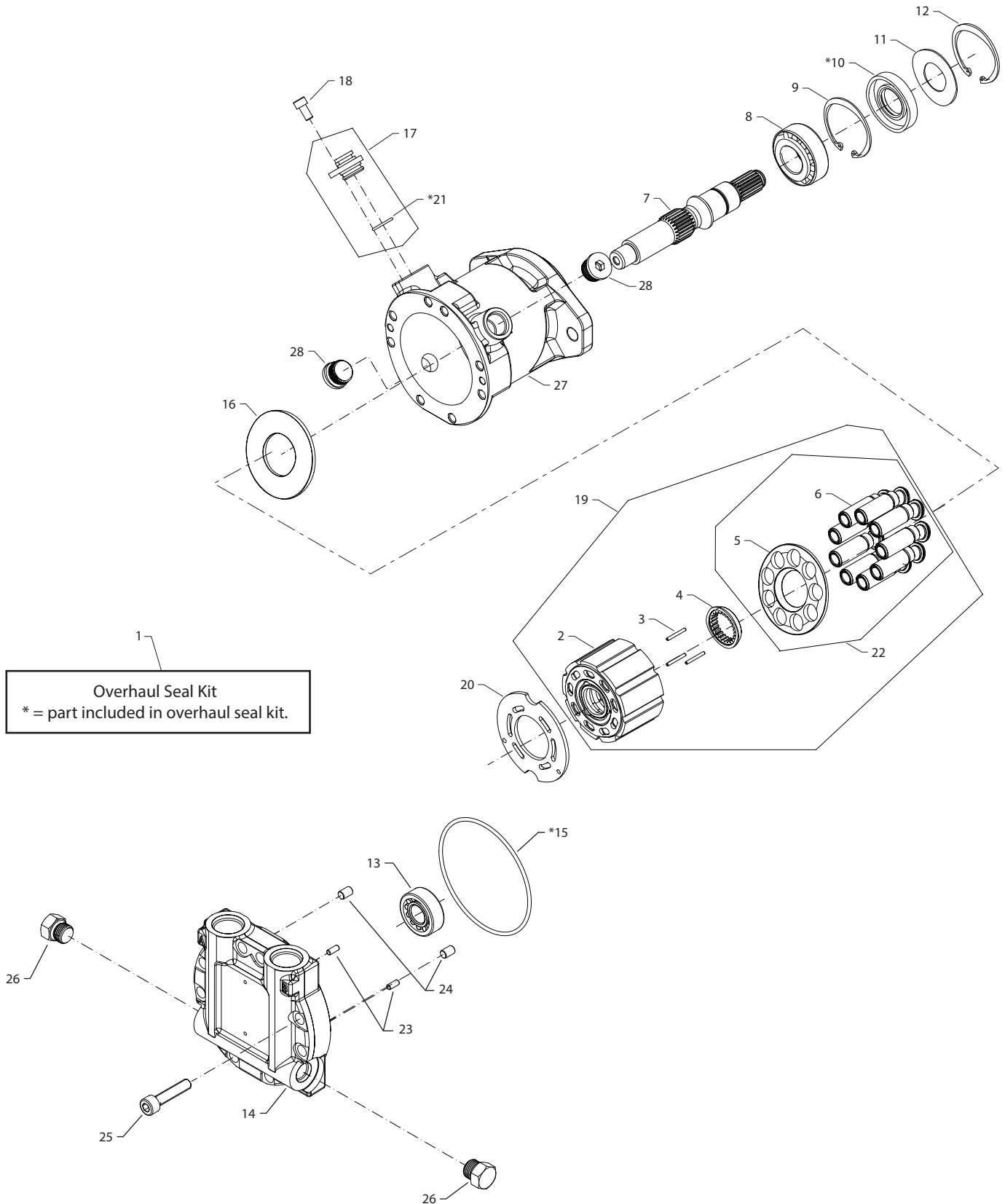
REF.	PART NO.	DESCRIPTION	QTY.
1	51.0088	.COVER, 2600 TRANSAXLE (Includes 2A & 2B)*	1
2	55.0037	.BEARING, 2600 NEEDLE 1.000 ID	1
2A	55.0038	.BEARING, 2600 NEEDLE 1.000 ID	3
2B	55.0041	.BEARING, 2600 NEEDLE 1.250 ID	2
3	51.0089	.CASE, 2600 TRANSAXLE	1
10A	51.0030	.FORK, 2600 SHIFT	1
13	51.0031	.GEAR, 2600 BEVEL	1
13A	51.0031	.GEAR, 2600 BEVEL	1
14	51.0033	.PINION, 2600 BEVEL	2
24	51.0085	.Bearing, Thrust 1.002 ID x .0781W	1
29	51.0084	.Washer, Thrust 1.002 ID x .061W	2
29B	51.0032	.WASHER, 2600 THRUST	3
31	51.0082	.Washer, Thrust 1.252 ID x .058W	2
31A	51.0028	.WASHER, 2600 THRUST	2
39	51.0029	.PIN, DOWEL 2600 5/16 X 3/4	2
85A	25.6408-H-06	.Fitting, -06 MB x Hollow Allen	1
87	89.0046	.SEAL, BRAKE SHAFT OIL	1
87A	89.0047	.SEAL, SHIFTER ROD OIL	1
89	55.0039	.BEARING, 2600 NEEDLE 1.5743 ID	1
124	89.0051	.GASKET, CASE	1
149	51.0027	.ROD, 2600 SHIFT (HIGH/LOW)	1
157	89.0049	.SEAL, OIL - AXLE PEERLESS	2

Listed items are stocked. Check for availability of unlisted parts.

\*Ref. 2 brake shaft bearing must be ordered separately.

# HYDRAULICS, AXLES, & WHEELS

## ILLUSTRATED DRAWING Danfoss Hydraulic Motor (21.0149)





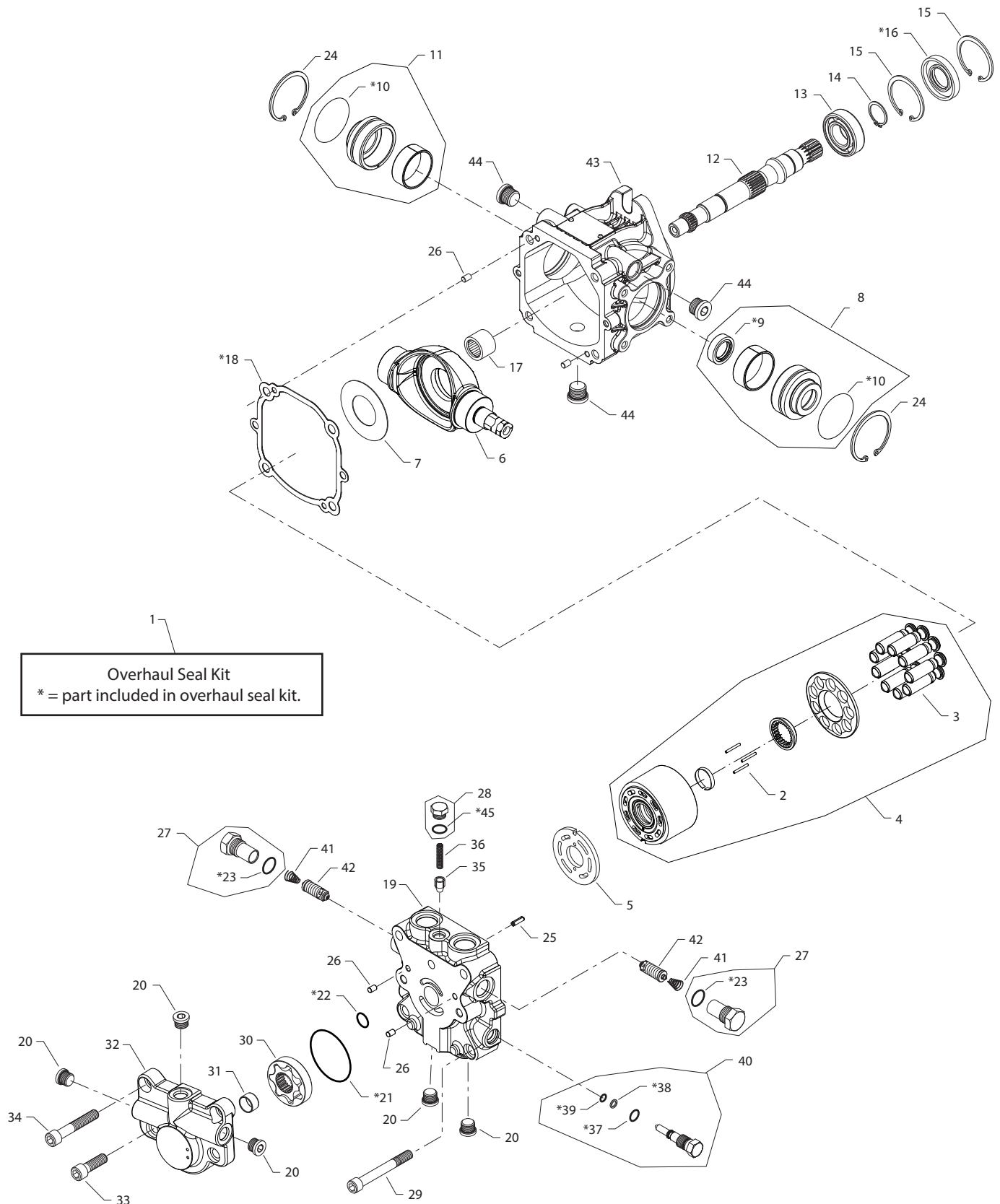
# HYDRAULICS, AXLES, & WHEELS

## Danfoss Hydraulic Motor (21.0149)

REF.	PART NO.	DESCRIPTION	QTY.
1	89.0115	.Kit, Seal	1
2	21.0166	.Assembly, Cylinder Block PM 20CC	1
3	03.0042	.Pin, Slipper Hold Down	3
4	21.0167	.Guide Ball, 20CC	1
5	21.0168	.Retainer, Slipper	1
6	21.0157	.Assembly, Piston	9
7	21.0169	.Shaft, 17T 24/48	1
8	55.0121	.Bearing, Taper Roller	1
9	04.0056	.Ring, Retaining	1
10	89.0110	.Seal, Lip	1
11	21.0170	.Washer, Support	1
12	04.0055	.Ring, Retaining	1
13	55.0122	.Bearing, Taper Roller	1
14	21.0171	.Cap, End	1
15	26.0008	.O-Ring, .103 x 3.48ID x 3.693OD Viton	1
16	21.0172	.Plate, Thrust	1
17	21.0173	.Plug, PPU H1 Assembly	1
18	99.M0073	.Bolt, M6 x 1.0 x 12 SHCS	1
19	21.0174	.Kit, Cylinder Block	1
20	21.0175	.Valve Plate, Motor	1
21	26.0054	.O-Ring, -016 Viton 80D	1

# HYDRAULICS, AXLES, & WHEELS

## ILLUSTRATED DRAWING Danfoss Hydraulic Pump (21.0148)



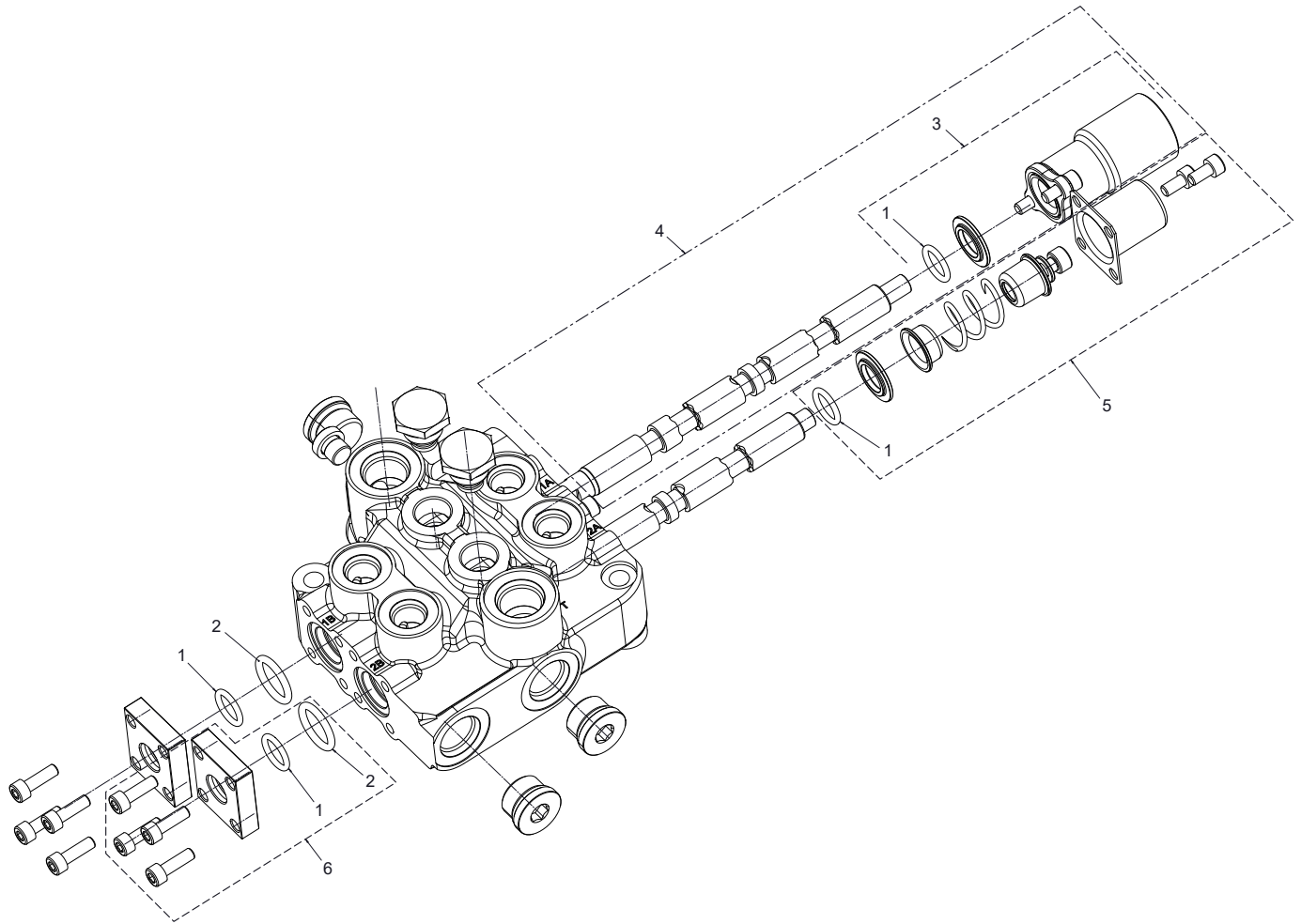
# HYDRAULICS, AXLES, & WHEELS

## Danfoss Hydraulic Pump (21.0148)

REF.	PART NO.	DESCRIPTION	QTY.
1	89.0114	.Kit, Seal	1
2	03.0042	.Pin, Slipper Hold Down	3
3	21.0157	.Assembly, Piston	9
4	21.0158	.Kit, Cylinder Block	1
5	21.0159	.Valve PLate, Pump	1
6	21.0160	.Swash Plate	1
7	21.0161	.Plate, Thrust	1
8	21.0162	.Assembly, Journal Carrier (B)	1
9	89.0112	.Seal, Lip	1
10	26.0055	.O-Ring, -136 Viton 75 Duro	2
11	21.0163	.Assembly, Journal Carrier (A)	1
12	21.0164	.Shaft, Pump	1
13	55.0119	.Bearing, Ball	1
14	04.0054	.Ring, Retaining	1
15	04.0055	.Ring, Retaining	2
16	89.0113	.Seal, Lip	1
17	55.0120	.Bearing, Needle	1
18	44.0426	.Gasket, Pump	1
19	21.0165	.Cap, End	1
20	51.0068	.Plug, 9/16-18 Metal	5
21	26.0056	.O-ring, -036 Viton 75 Duro	1
22	26.0057	.O-ring, -016 Viton 90 Duro	1
23	26.0037	.O-ring, for Morb-08 Viton	2

# HYDRAULICS, AXLES, & WHEELS

## ILLUSTRATED DRAWING 2 Spool Valve (23.0201)



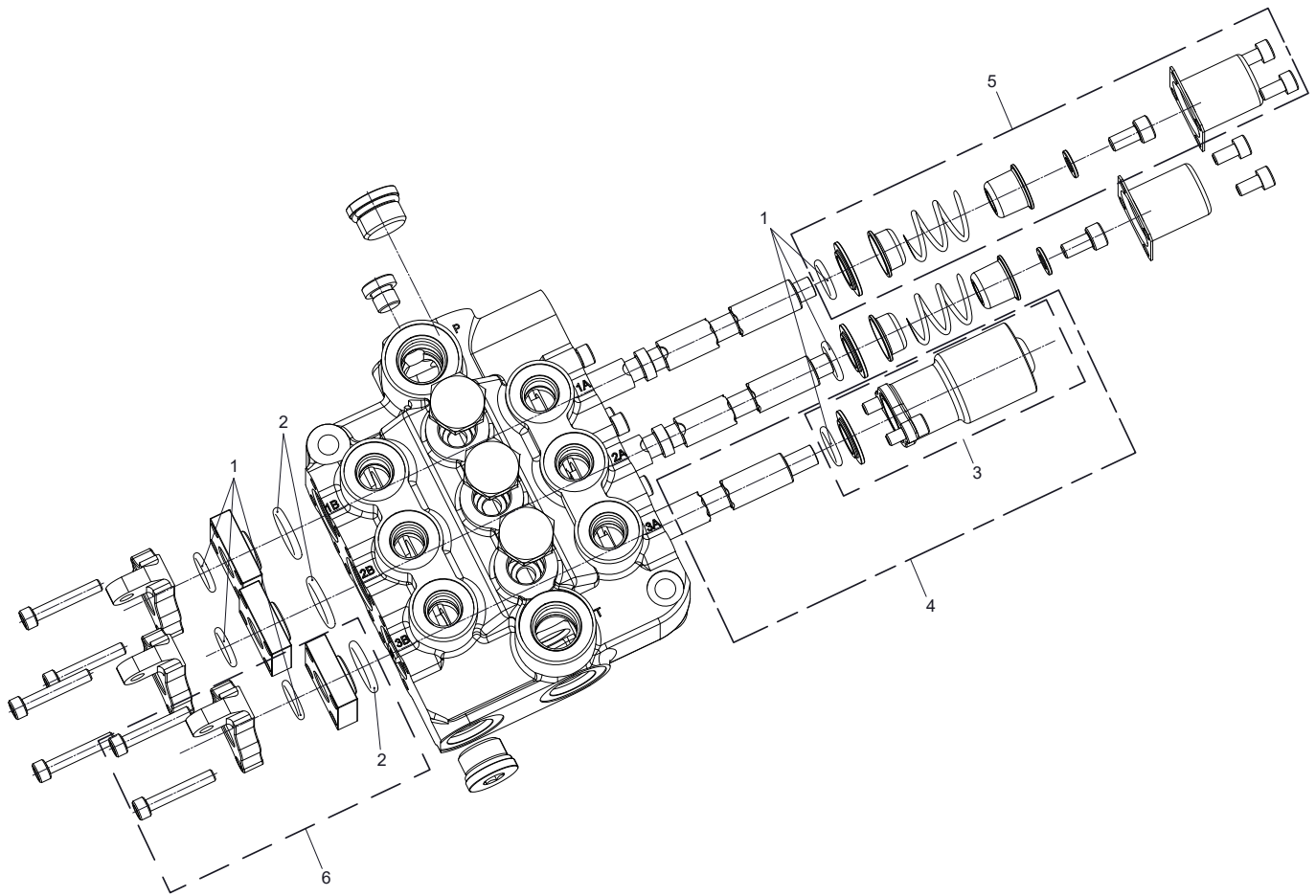
# HYDRAULICS, AXLES, & WHEELS

## 2 Spool Valve (23.0201)

REF.	PART NO.	DESCRIPTION	QTY.
1	89.0111	.Seal, Spool	4
2	26.0058	.O-Ring, 17mm x 3 70 Buna	2
3	23.0206	.Kit, Float Actuator	1
4	23.0212	.Service Kit, 4 Pos Spool W/Detent.	1
5	23.0207	.Kit, 3 Position Spring Actuator	1
6	23.0208	.Kit, Handle Bracket 2-Spool	2

# HYDRAULICS, AXLES, & WHEELS

## ILLUSTRATED DRAWING 3 Spool Valve (23.0202)



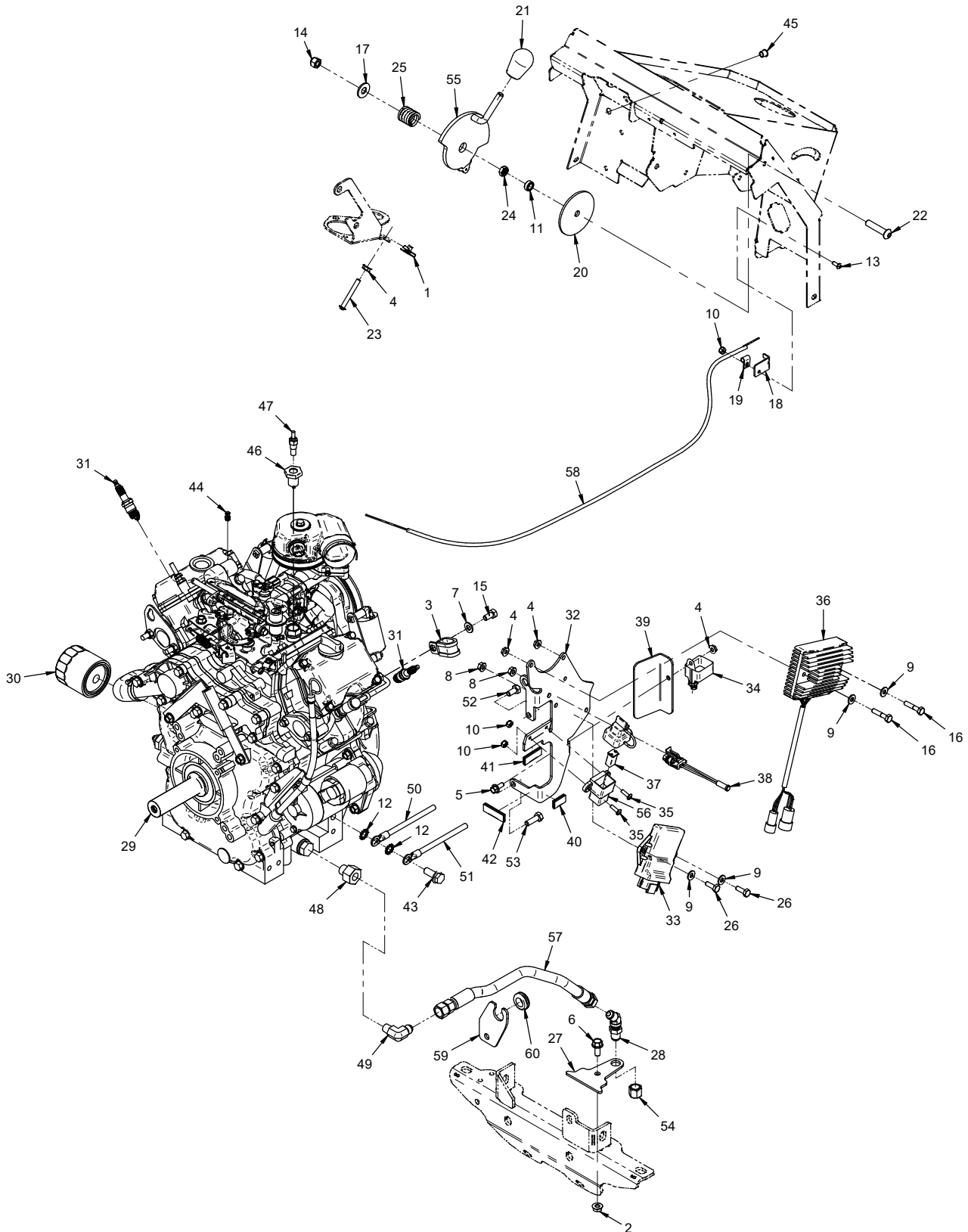
# HYDRAULICS, AXLES, & WHEELS

## 3 Spool Valve (23.0202)

REF.	PART NO.	DESCRIPTION	QTY.
1	89.0111	Seal, Spool	6
2	26.0058	O-Ring, 17mm x 3 70 D Buna	3
3	23.0206	Kit, Float Actuator	1
4	23.0212	Service Kit, 4 Pos Spool W/Detent	1
5	23.0207	Kit, 3 Position Spring Actuator	2
6	23.0209	Service Kit - Handle Bracket 3-Spool	3

# ENGINE

## ILLUSTRATED DRAWING 4520P Kawasaki Gas Engine





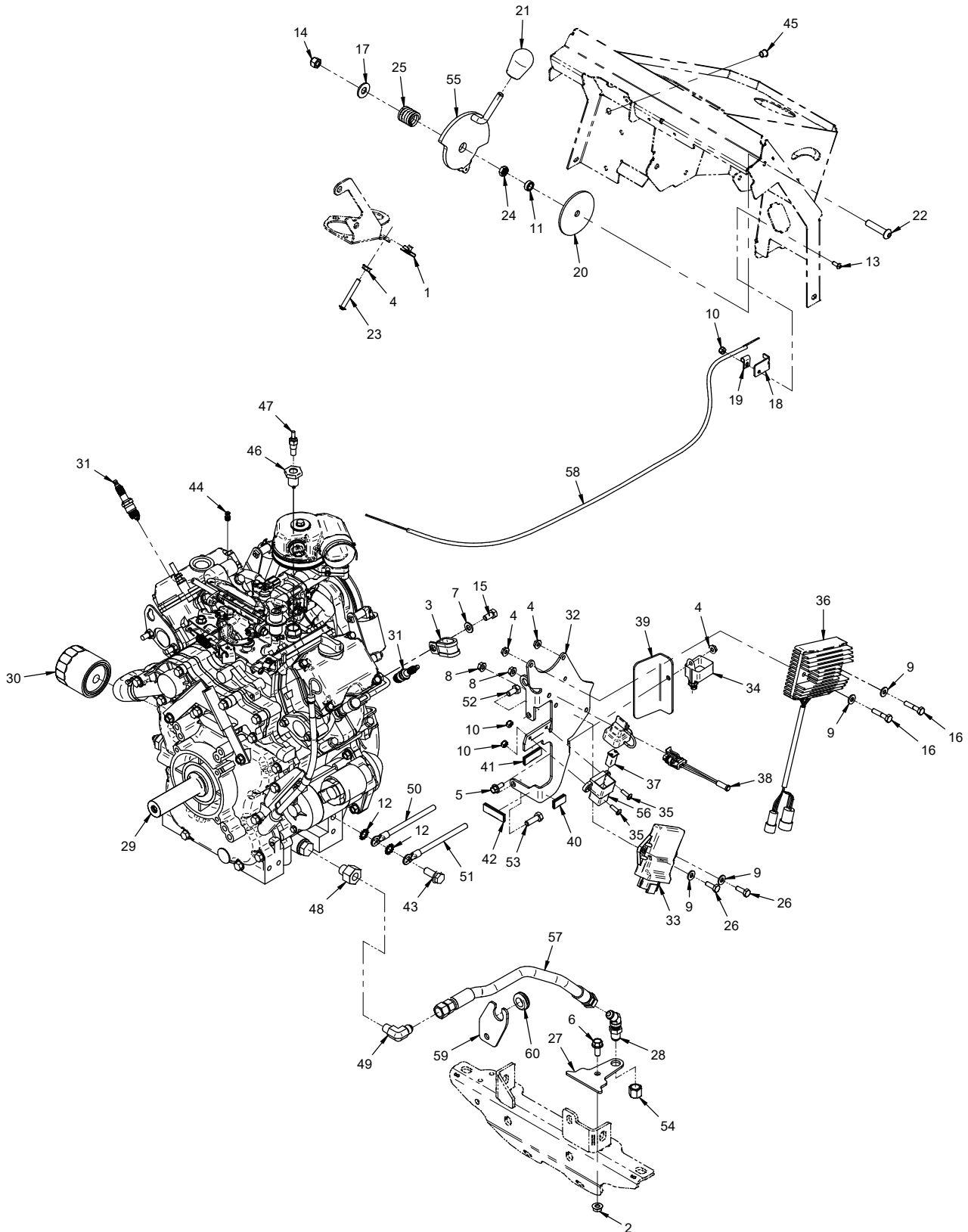
# ENGINE

## 4520P Kawasaki Gas Engine

REF.	PART NO.	DESCRIPTION	QTY.
1	99.E0046	.Nut, "U" 1/4-20 Extruded	1
2	99.SF05	.Nut, SRF 5/16-18 USS	1
3	11.0046	.Clamp, Cushioned 1/2" 2-Tube	1
4	99.SF04	.Nut, SRF 1/4-20 USS	4
5	99.SF0405-1	.Bolt, SMF 1/4-20 X 5/8.	1
6	99.SF0506-1	.Bolt, SMF 5/16-18 USS x 3/4.	1
7	95.05	.Washer, Flat 5/16 SAE	1
8	99.E0101	.Nut, Locking Flange 1/4-20	2
9	95.04	.Washer, Flat 1/4 SAE	4
10	99.A1032N	.Locknut, Nylon 10-32 Stainless	3
11	64.0602	.Bushing, 3/8 x 5/8 x .265	1
12	99.G0004	.Washer, Star-External 3/8.	2
13	99.K0062	.Machine Screw, #10-32 X 1/2.	1
14	99.A06N	.Locknut, Nylon 3/8-16.	1
15	99.M0014	.Bolt, M8 x 1.25 x 16mm	1
16	90.0410	.Bolt, 1/4-20 USS x 1/1-4"	2
17	94.06	.Washer, Flat 3/8 USS	1
18	64.1700	.Bracket, Cable End	1
19	45.0050	.Clamp, Cable	1
20	05.0013	.Washer, Fric. 3 OD x 13/32 ID	1
21	47.0001	.Knob, Sm. #80 3/8-16 Thread	1
22	99.0614	.Bolt, 3/8-16 x 1-3/4 BSCS	1
23	99.0416	.Bolt, 1/4-20 x 2 BSCS.	1
24	99.E0113	.Nut, Jam 3/8-16 Nylon Lock GR8.	1
25	41.0107	.Spring, Comp. .970" OD x 1" LG.	1
26	90.0406	.Bolt, 1/4-20 USS x 3/4"	2
27	KN-1087	.Mount, Oil Drain Hose	1
28	25.2702-06-06LN	.Fitting, Bulkhead 3/8 W/LN 45.	1
29	13.0244	.Engine, Kawasaki 31 HP Gas LC	1
30	13.0268	.Filter, Engine Oil Kawasaki	1
31	13.0284	.Plug, Spark	2
32	64.1900	.Bracket, CDI, R7R Mount	1
33	13.211752065	.Engine Control Unit (ECU)	1
34	13.0302	.Relay Assembly, Kawasaki	1
35	99.K0071	.Machine Screw, #10-32 x 5/8.	2
36	13.0288	.Regulator, 30 Amp Kawasaki	1
37	30.0373	.Fuse, 40A J-Case Green	1
38	33.0063-1	.Light, LED Super Yellow	1
39	60.1266	.Shield, Wire Protection	1
40	06.0042-1IN	.Trim, Trim Loc 1/2 X 1/16 x 1" L	1
41	06.0042-1.5IN	.Trim, Trim Loc 1/2 X 1/16 x 1 1/2" L	1
42	06.0042-1.75IN	.Trim, Trim Loc 1/2 X 1/16 x 1 3/4" L	1
43	99.M0020	.Bolt, M10 X 1.5 X 25MM Flange	1
44	47.0234	.Throttle Control, Wire Swivel	1
45	05.0087	.Plug, 3/8" Hole, Black	1
46	14.0052	.Adapter, M16-1.5 X 1/8 FNPT.	1
47	13.0309	.Sending Unit, Temperature	1
48	14.0015	.Fitting, Adapter 1/4 x M16	1
49	25.2501-06-04	.Fitting, 90 ME 3/8 X 1/4.	1
50	32.0103	.Cable, Negative 4GA	1
51	32.0112	.Cable, Negative 4GA	1
52	99.M0014	.Bolt, M8 x 1.25 x 16mm	1
53	99.M0009	.Bolt, M8 X 1.25 P X 25MM	1
54	25.304-C-06	.Fitting, Cap 3/8 #6 JIC	1
55	40.0377	.Lever, Throttle	1
56	30.0402	.Fuse Holder, 50A J Case	1
57	22.0060	.Hose, 3/8x15.50 PLK 250 PSI CPE	1

# ENGINE

## ILLUSTRATED DRAWING 4520P Kawasaki Gas Engine (Continued)



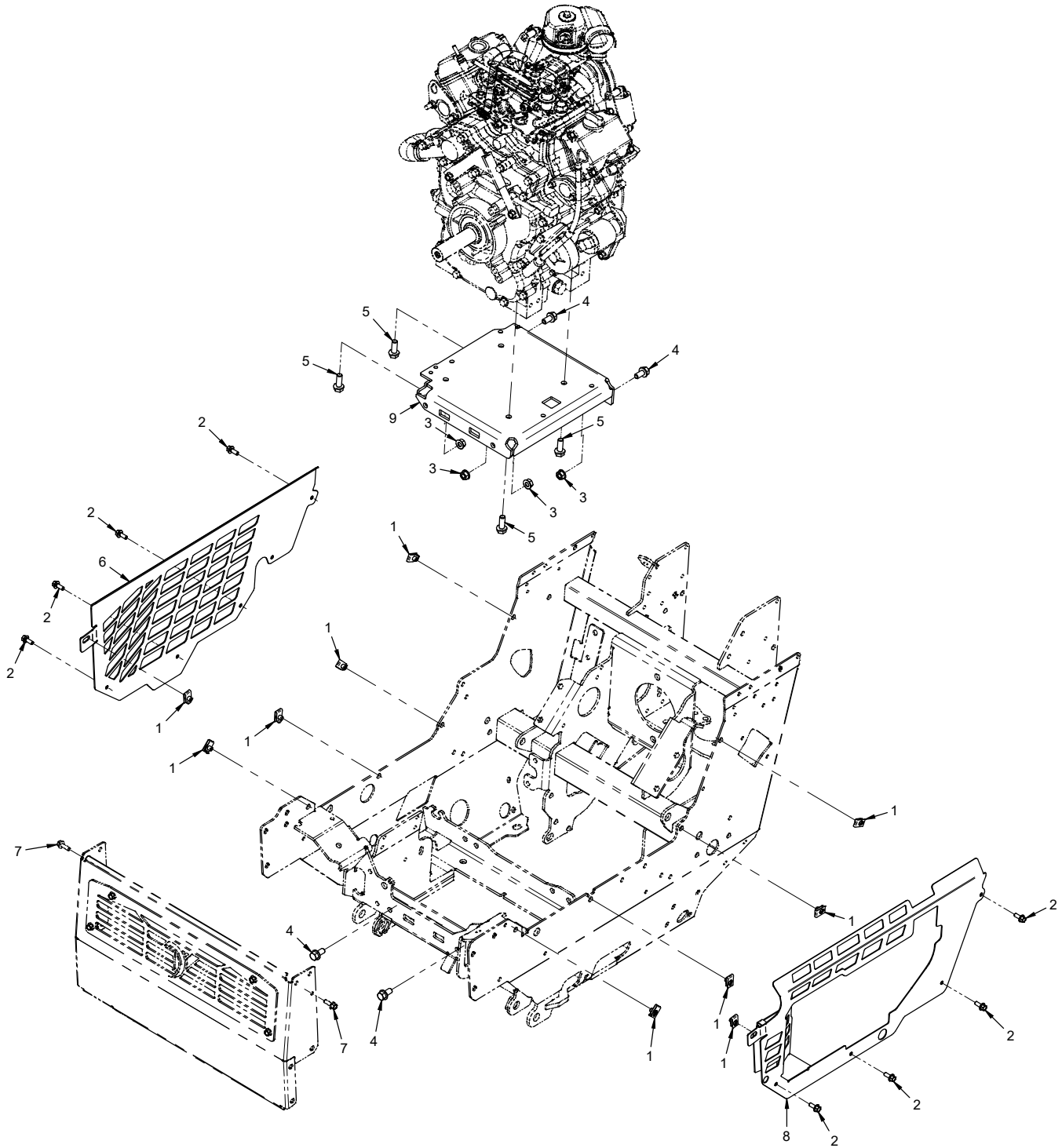
# ENGINE

## 4520P Kawasaki Gas Engine (Continued)

REF.	PART NO.	DESCRIPTION	QTY.
58	47.0322	Throttle Cable	1
59	64.1728	Bracket, Oil Drain Hose	1
60	05.0140	Grommet, 5/8 ID, 1-1/8 OD, 3/8T	1

# ENGINE

## ILLUSTRATED DRAWING 4520P Kawasaki Gas Engine Mount



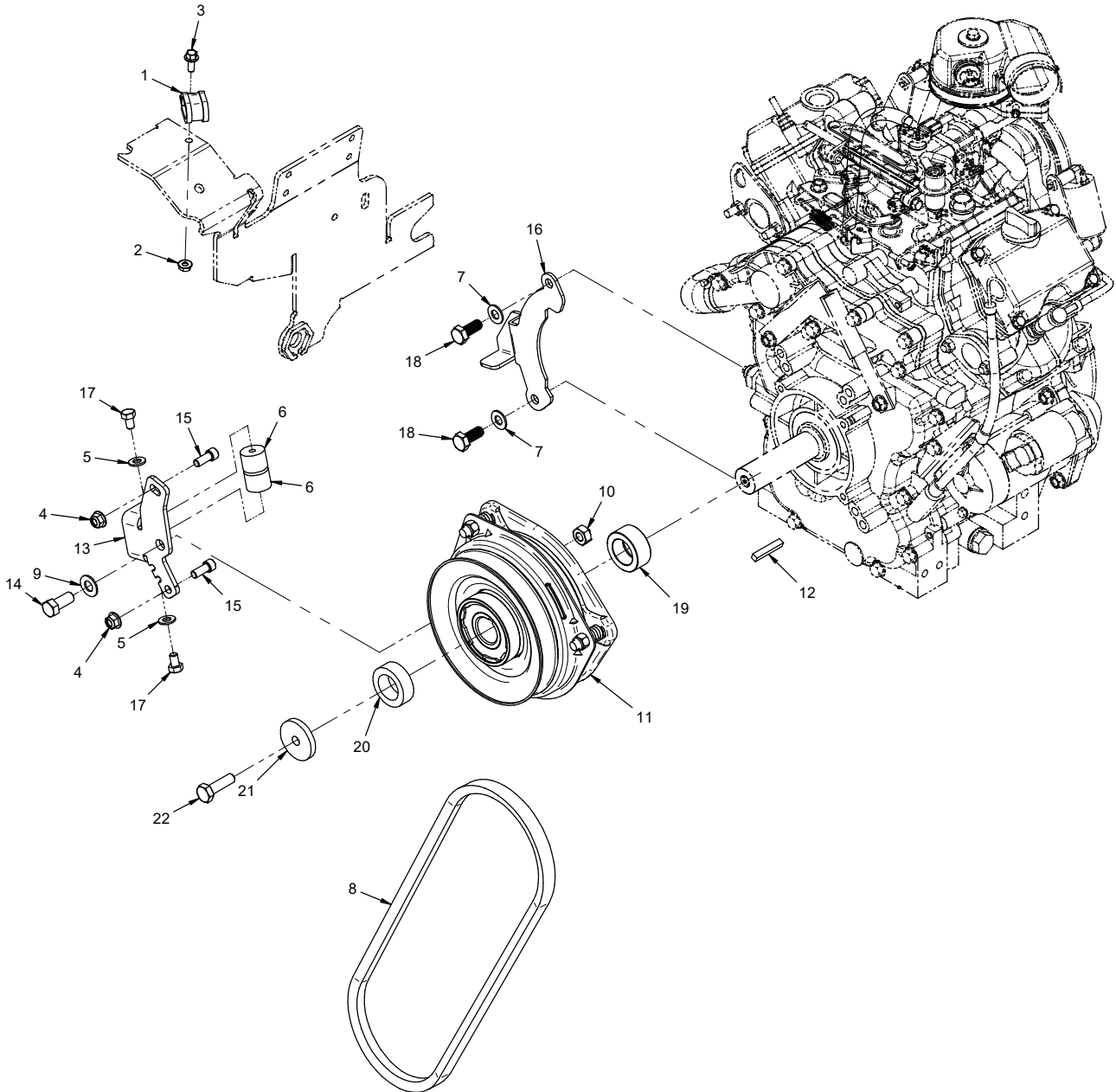
# ENGINE

## 4520P Kawasaki Gas Engine Mount

REF.	PART NO.	DESCRIPTION	QTY.
1	99.E0046	.Nut, "U" 1/4-20 Extruded	10
2	99.SF0405-1	.Bolt, SMF 1/4-20 X 5/8.	8
3	99.SF06	.Nut, SRF 3/8-16 USS	4
4	99.SF0606-1	.Bolt, SMF 3/8-16 USS x 3/4.	4
5	99.M0020	.Bolt, M10 X 1.5 X 25MM Flange.	4
6	KN-1077	.Cover, Engine Right.	1
7	99.SF0406-1	.Bolt, SMF 1/4-20 X 3/4.	2
8	KN-6017	.Cover, Engine Left Hood.	1
9	64.1632	.Mount, Engine 2 Cyl	1

# ENGINE

## ILLUSTRATED DRAWING 4520P Kawasaki Gas PTO Clutch



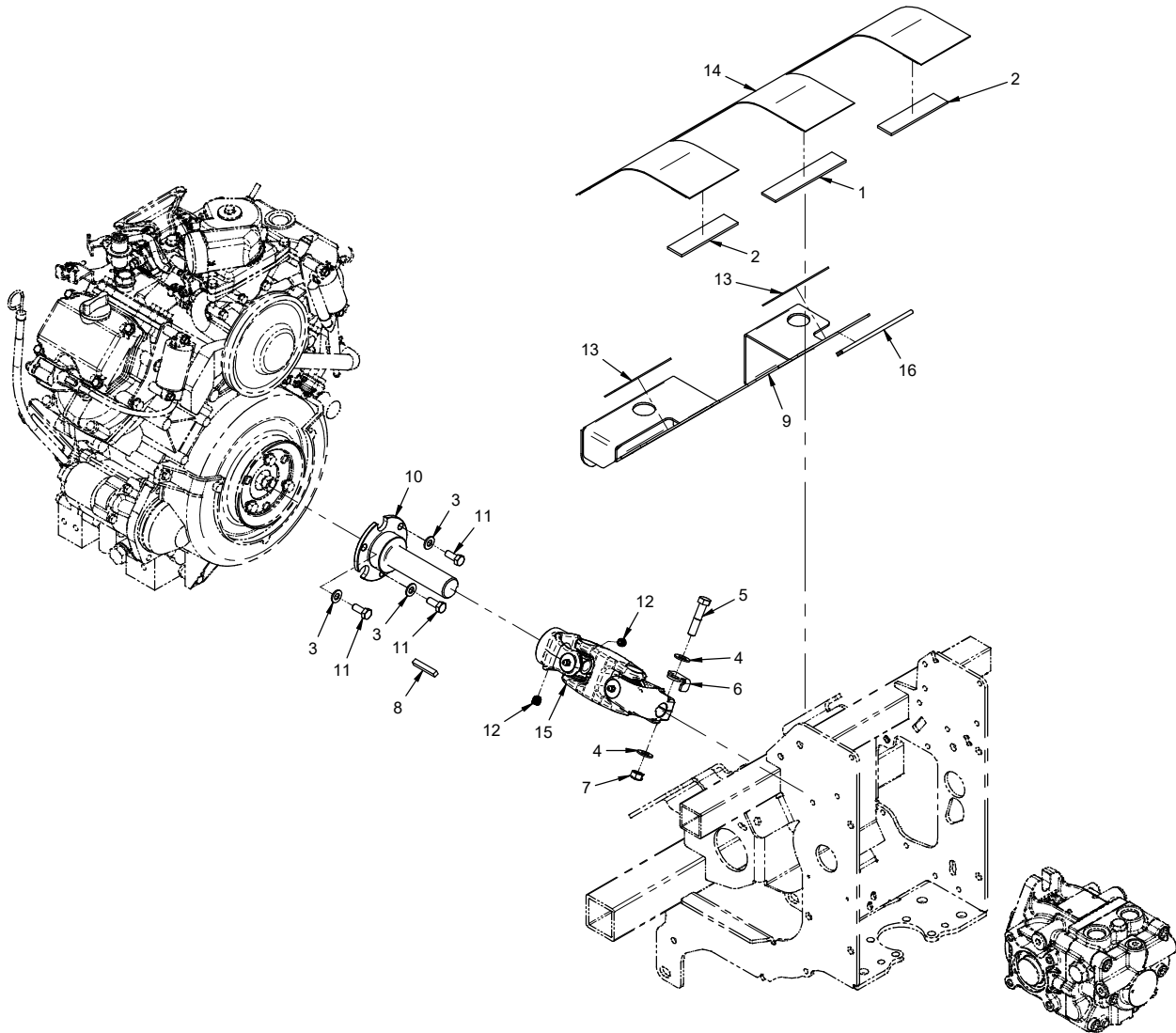
# ENGINE

## 4520P Kawasaki Gas PTO Clutch

REF.	PART NO.	DESCRIPTION	QTY.
1	11.0046	.Clamp, Cushioned 1/2" 2-Tube	1
2	99.SF04	.Nut, SRF 1/4-20 USS	1
3	99.SF0405-1	.Bolt, SMF 1/4-20 X 5/8	1
4	99.E0102	.Nut, Locking Flange 5/16-18	2
5	95.05	.Washer, Flat 5/16 SAE	2
6	05.0110	.Bumper, Neoprene 1" Dia	2
7	95.06	.Washer, Flat 3/8 SAE	2
8	81.B038	.Belt, B38	1
9	95.07	.Washer, Flat 7/16 SAE	1
10	99.A07	.Locknut, Stover 7/16-14 USS	1
11	37.0060	.Clutch, Electric Ogura GT3.5	1
12	85.K0412	.Key, 1/4 X 1-1/2	1
13	64.1698	.Bracket, Clutch Torque	1
14	90.0708	.Bolt, 7/16-14 USS x 1	1
15	99.K0134	.Bolt, SHCS 5/16-18 x 3/4	2
16	64.1696	.Bracket, Clutch Stop	1
17	90.0504	.Bolt, 5/16-18 USS x 1/2"	2
18	99.M0012	.Bolt, 10mm x 25mm - 1.5 Pitch	2
19	64.1172	.Spacer, Inner Clutch	1
20	64.1079	.Bushing, Clutch Spacer - Outer	1
21	99.B0065	.Washer, 1/4 X 1.75 X .406 Hole	1
22	99.M0017	.Bolt, M10 X 1.5 X 35 MM	1

# ENGINE

## ILLUSTRATED DRAWING 4520P Kawasaki Gas Drive Shaft





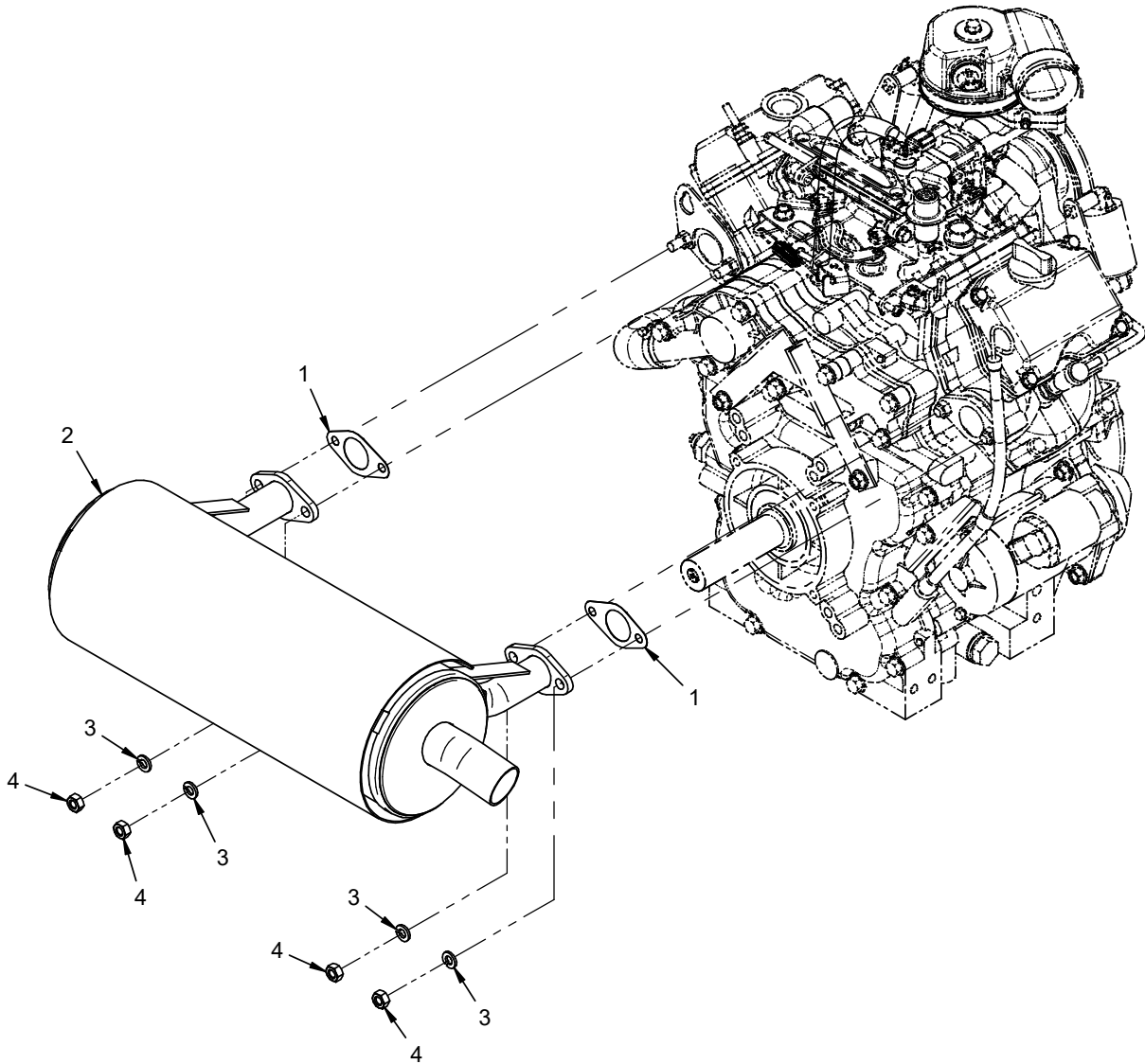
# ENGINE

## 4520P Kawasaki Gas Drive Shaft

REF.	PART NO.	DESCRIPTION	QTY.
1	06.0065-5IN	Velcro, Loop 1" Black x 5"	1
2	06.0065-4IN	Velcro, Loop 1" Black x 4"	2
3	95.05	Washer, Flat 5/16 SAE	3
4	95.06	Washer, Flat 3/8 SAE	2
5	90.0614	Bolt, 3/8-16 USS x 1-3/4	1
6	64.1654	Plate, Driveshaft Tach Trigger	1
7	99.A06	Locknut, Stover 3/8-16 USS	1
8	85.K0412	Key, 1/4 X 1-1/2	1
9	64.1704	Bracket, Radiator Mount Bottom	1
10	13.0259	Stub Shaft, Pump Drive Kaw	1
11	99.M0005	Bolt, M8 X 1.25 P X 20MM	3
12	85.SS21	Set Screw, 3/8-16 x 3/8	2
13	06.0065-4IN	Velcro, Loop 1" Black	2
14	44.0420	Canvas, Debris Barrier	1
15	87.0232	U-joint, 4500	1
16	06.0042-5.25IN	Trim, Trim Loc 1/2 x 1/16	1

# ENGINE

## ILLUSTRATED DRAWING 4520P Kawasaki Gas Muffler



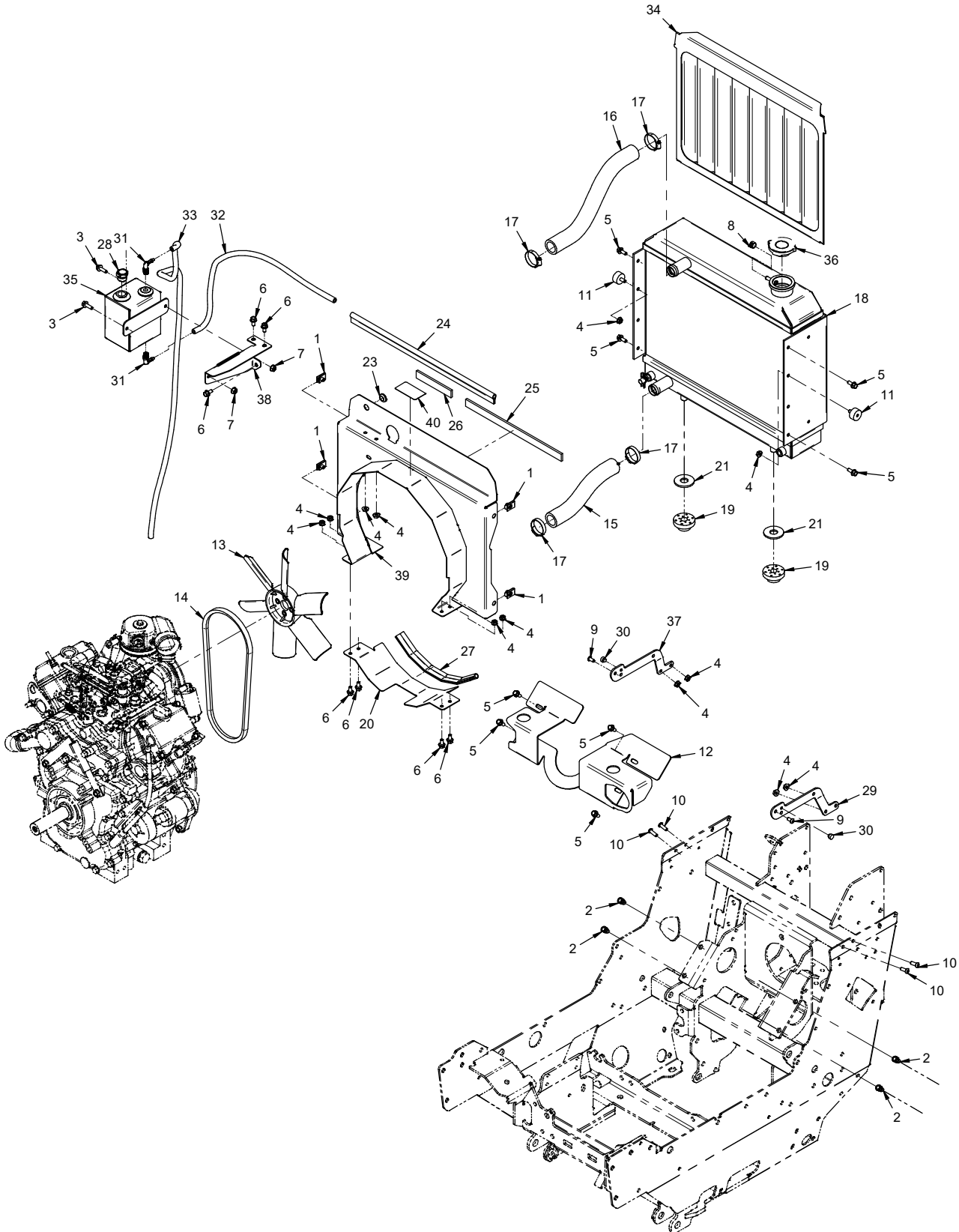
# ENGINE

## 4520P Kawasaki Gas Muffler

REF.	PART NO.	DESCRIPTION	QTY.
1	13.0197	Gasket, Exhaust Kawasaki	2
2	13.0314	Muffler, Kawasaki FD851D 4500P	1
3	96.05	Washer, Lock 5/16	4
4	99.M0008	Nut, M8 x 1.25MM ZP	4

# ENGINE

## ILLUSTRATED DRAWING 4520P Kawasaki Gas Cooling System



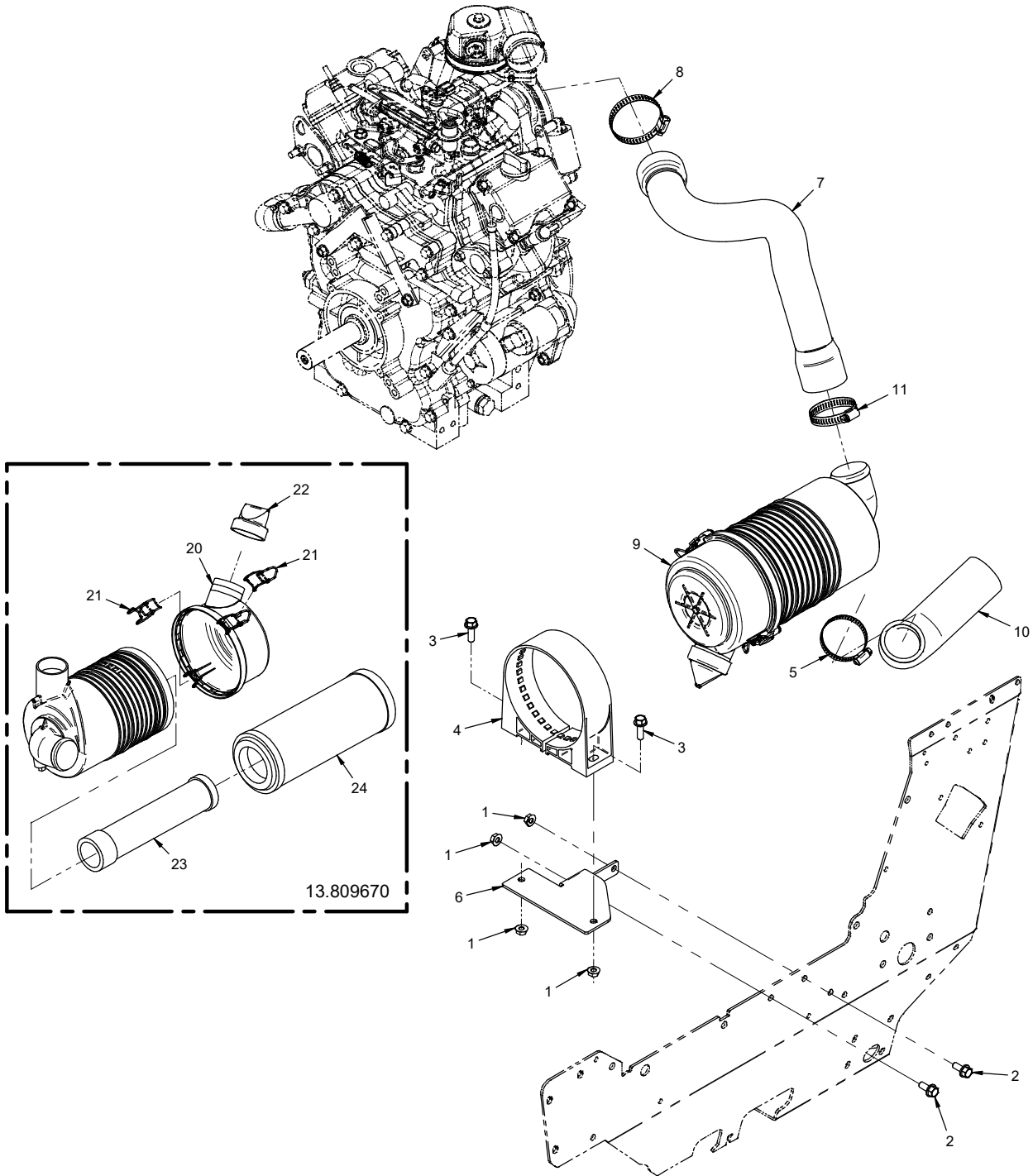
# ENGINE

## 4520P Kawasaki Gas Cooling System

REF.	PART NO.	DESCRIPTION	QTY.
1	99.E0046	Nut, "U" 1/4-20 Extruded	4
2	99.E0105	Nut, Insert 1/4-20 Hex	4
3	99.SF0406-1	Bolt, SMF 1/4-20 X 3/4	2
4	99.SF04	Nut, SRF 1/4-20 USS	12
5	99.SF0405-1	Bolt, SMF 1/4-20 X 5/8	8
6	99.SF0404-1	Bolt, SMF 1/4-20 X 1/2	8
7	99.E0101	Nut, Locking Flange 1/4-20	2
8	11.0049	Clamp, Hose Band 1/2" OD Hose	3
9	99.0404	Bolt, 1/4-20 x 1/2 BSCS	2
10	99.0406	Bolt, 1/4-20 x 3/4 BSCS	4
11	05.0135	Isolator, 1/4-20 x 1/2 x 1" F/M	2
12	64.1704	Bracket, Radiator Mount Bottom	1
13	13.0189	Fan, Kawasaki 11"	1
14	81.0132	Belt, Fan Kawasaki	1
15	13.0261	Hose, Radiator Lower Kaw	1
16	13.0260	Hose, Radiator Upper Kaw	1
17	11.0052	Clamp, Hose SS 13/16 x 1-1/2	4
18	47.0321	Radiator, KN Kawasaki	1
19	05.0107	Isolator, 9/16 ID X 1-29/32 OD	2
20	64.1644	Bracket, Radiator Shroud	1
21	94.10	Washer, Flat 5/8 USS	2
23	05.0136	Grommet, 7/16ID, 3/4OD, 1/4Thk	1
24	06.0043-17.5IN	Trim, Trim Seal W/ Bulb	1
25	06.0045-11.75IN	Weatherstrip, 3/16 X 3/4	1
26	06.0045-4.25IN	Weatherstrip, 3/16 X 3/4	1
27	06.0043-10IN	Trim, Trim Seal W/ Bulb	1
28	25.6408-08	Fitting, Plug 8MB	1
29	64.1642	Bracket, Radiator Mount Left	1
30	05.0120	Bumper, Neoprene 10 Ga - 1/4	2
31	29.BF04MP0290N	FITTING, NYLN 1/4BRB X 1/8MP 90	2
32	27.A04-21IN	Hose, Neop Black 1/4 x 7/16 x 21"	1
33	27.A04-36IN	Hose, Neop Black 1/4 x 7/16 x 36"	1
34	64.1620	Screen, Radiator - 47.0302	1
35	KN-6057	Tank, Coolant Recovery	1
36	47.0334	Cap, Radiator 14#	1
37	64.1629	Bracket, Radiator Mount Right	1
38	64.1640	Bracket, Coolant Recovery Tank	1
39	KN-6024	Shroud, Radiator - 47.0321	1
40	00.0638	Decal, Fan Blade Hazard	1

# ENGINE

## ILLUSTRATED DRAWING 4520P Kawasaki Gas Air Intake



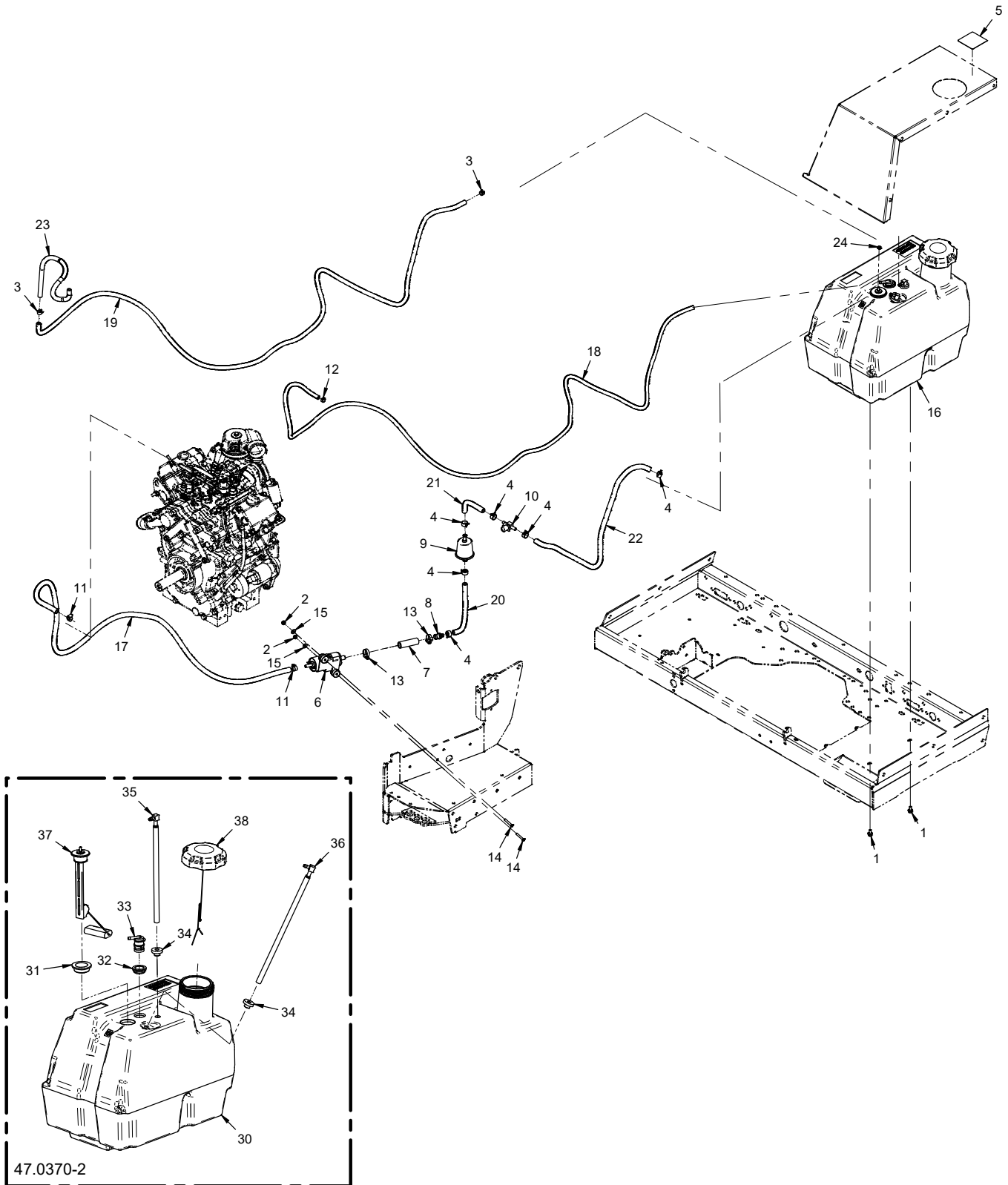
# ENGINE

## 4520P Kawasaki Gas Air Intake

REF.	PART NO.	DESCRIPTION	QTY.
1	99.SF05	Nut, SRF 5/16-18 USS	4
2	99.SF0506-1	Bolt, SMF 5/16-18 USS x 3/4	2
3	99.SF0508-1	Bolt, SMF 5/16-18 x 1	2
4	13.0231	Clamp, Air Filter 5" Plastic	1
5	11.0044	Clamp, Hose SS 1-9/16 To 2-1/2	1
6	64.1694	Bracket, Air Cleaner Mount	1
7	13.0272	Hose, Intake 4500P	1
8	11.0050	Clamp, Hose S/S 2 1/16 X 3"	1
9	13.809670	Cleaner, Air Asm	1
10	14.0026-4	Hose, Air Cleaner	1
11	11.0044	Clamp, Hose SS 1-9/16 To 2-1/2	1
20	13.533761	Cover Assembly W/ Latches	1
21	13.538928	Latch	2
22	13.522958	Valve, Drain	1
23	13.0061	Filter, Air-Element Safety	1
24	13.0060	Filter, Air-Element Primary	1

# ENGINE

## ILLUSTRATED DRAWING 4520P Kawasaki Gas Fuel System





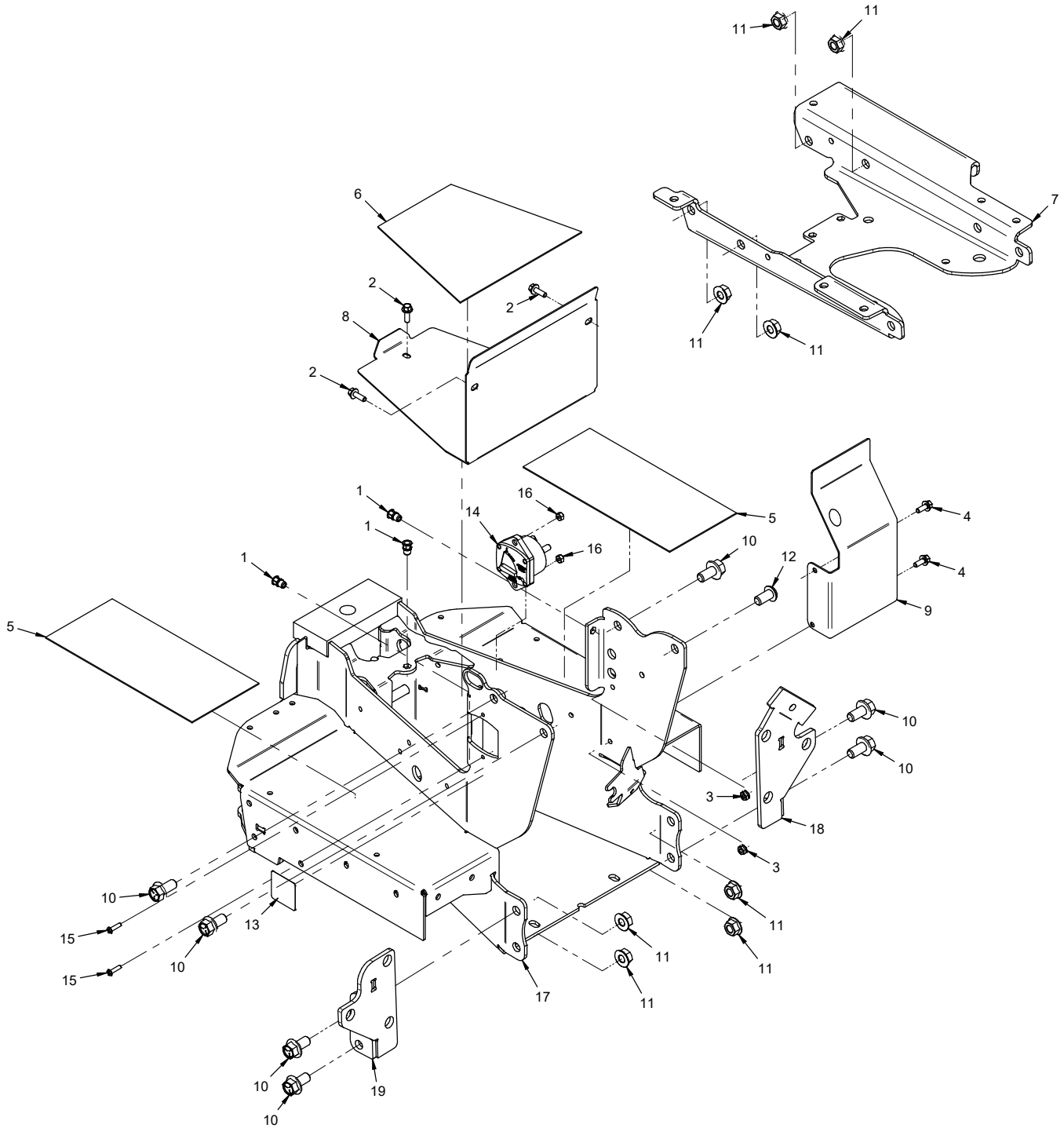
# ENGINE

## 4520P Kawasaki Gas Fuel System

REF.	PART NO.	DESCRIPTION	QTY.
1	99.SF0404-1	Bolt, SMF 1/4-20 X 1/2	2
2	99.A1032N	Locknut, Nylon 10-32 Stainless	2
3	11.0049	Clamp, Hose Band 1/2" OD Hose	2
4	11.0048	Clamp, Hose Band 9/16" OD Hose	6
5	00.0457	Decal, Gasoline Safety	1
6	13.0269	Pump, Fuel Kaw - P	1
7	27.F08-1-2.5IN	Hose, Fuel Line 1/2" Low Perm x 2-1/2" L	1
8	13.59071-2141	Fitting, Adapter Fuel Pump	1
9	13.0053	Filter, Fuel - In Line 5/16"	1
10	47.0328	Valve, Fuel Shut Off 5/16"	1
11	11.0038	Clamp, Hose SS 7/32 To 5/8	2
12	11.0073	Clamp, Hose Band 7/16" OD Hose	1
13	11.0032	Clamp, Hose S/S 7/16-25/32	2
14	99.K0067	Machine Screw, #10-32 X 1-1/2	2
15	99.B0051	Washer, Flat #10	2
16	47.0370-2	Tank, Asm Gas w/Return	1
17	27.F05-1-56IN	Hose, Fuel Line 5/16" Low Perm x 56" L	1
18	27.F03-103IN	Hose, Fuel Line x 3/16" x 103" L	1
19	27.F04-1-93IN	Hose, Fuel Line 1/4" Low Perm x 93" L	1
20	27.F05-1-7IN	Hose, Fuel Line 5/16" Low Perm x 7" L	1
21	27.F05-1-7IN	Hose, Fuel Line 5/16" Low Perm x 7" L	1
22	27.F05-1-26IN	Hose, Fuel Line 5/16" Low Perm x 26" L	1
23	VPI-00326	Fuel Line, 1/4" Fuel Return	2
24	99.E0049	Nut, Washer #10-32 (Star Nut)	1
30	N/A	Tank, Shell Only	1
31	05.0134	Grommet, Fuel Tank Sender	1
32	05.0162	Grommet, Fuel Vent Valve	1
33	29.0100	Valve, Fuel Vent	1
34	05.0133	Grommet, Tank Fitting	2
35	29.0096	Fitting, 1/4" Tank Return	1
36	29.0097	Fitting, Tank 5/16 Withdraw	1
37	35.0120	Sending Unit, Fuel	1
38	47.0309	Cap, Fuel 3-1/2" Unvented	1

# FRAMES / SHEET METAL

## ILLUSTRATED DRAWING Lower Rear Frame



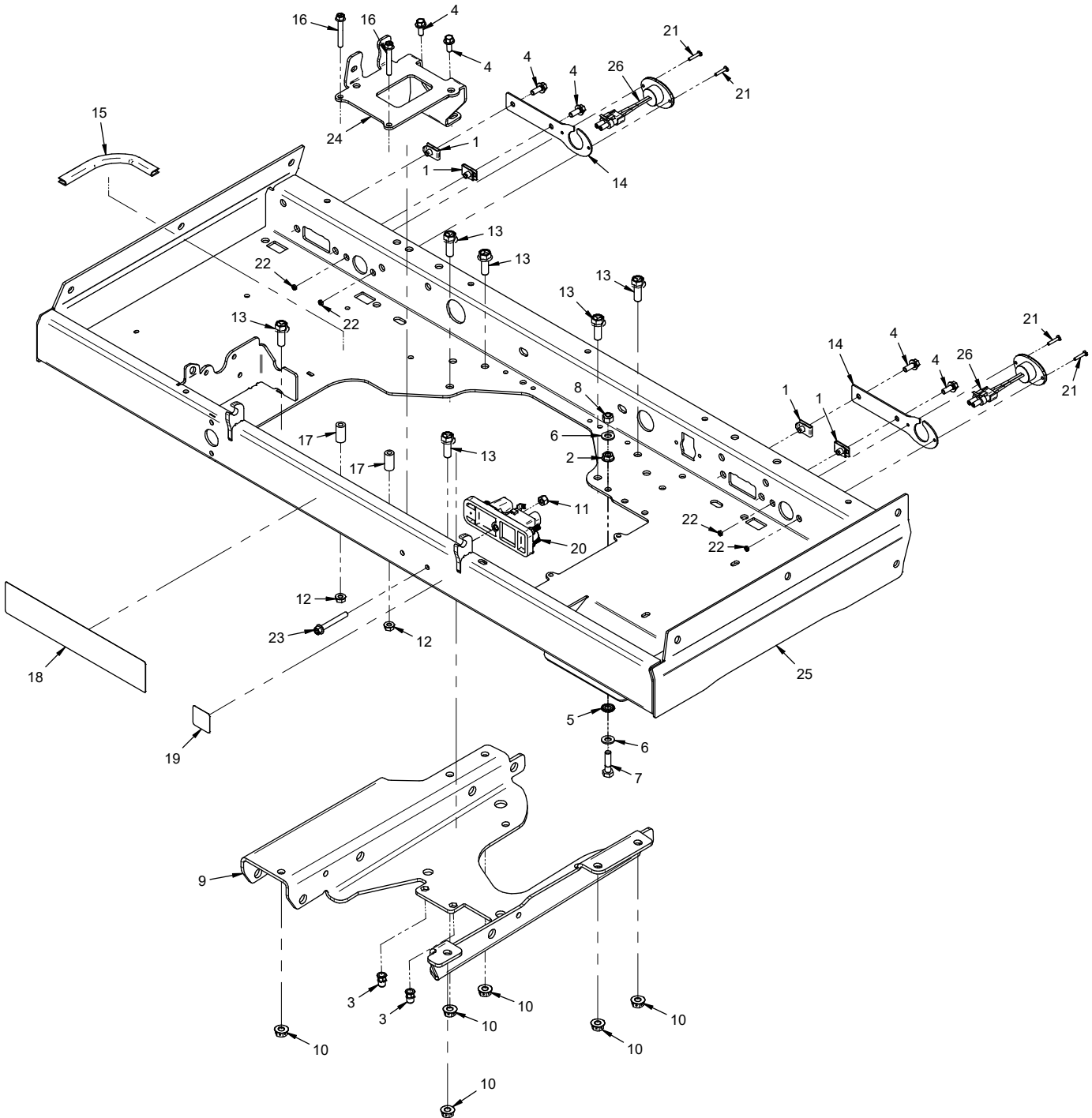
# FRAMES / SHEET METAL

## Lower Rear Frame

REF.	PART NO.	DESCRIPTION	QTY.
1	99.E0105	Nut, Insert 1/4-20 Hex	3
2	99.SF0406-1	Bolt, SMF 1/4-20 X 3/4	3
3	99.SF04	Nut, SRF 1/4-20 USS	2
4	99.SF0405-1	Bolt, SMF 1/4-20 X 5/8	2
5	44.0331	Flex Tread, Foot Platform KN	2
6	44.0220	Flex Tread, Tunnel Cover	1
7	KN-1027	Frame, Rear Upper	1
8	KN-1021	Cover, Rear Lower Frame	1
9	KN-1253	Panel, Foot Platform Right	1
10	99.SF0808-1	Bolt, SMF 1/2-13 x 1	7
11	99.SF08	Nut, SRF 1/2-13 USS	8
12	99.0808	Bolt, 1/2-13 x 1 BSCS	1
13	00.0315	Decal, Battery Disconnect	1
14	30.0338	Breaker, Circuit 150 Amp	1
15	99.K0047	Machine Screw, #10-32 X 3/4	2
16	99.A1032N	Locknut, Nylon 10-32 Stainless	2
17	KN-6011	Frame, Rear Lower	1
18	KN-6025	Bracket, Transaxle Mount Right	1
19	64.1594	Bracket, Transaxle Mount Left	1

# FRAMES / SHEET METAL

## ILLUSTRATED DRAWING Seat Box & Upper Rear Frame



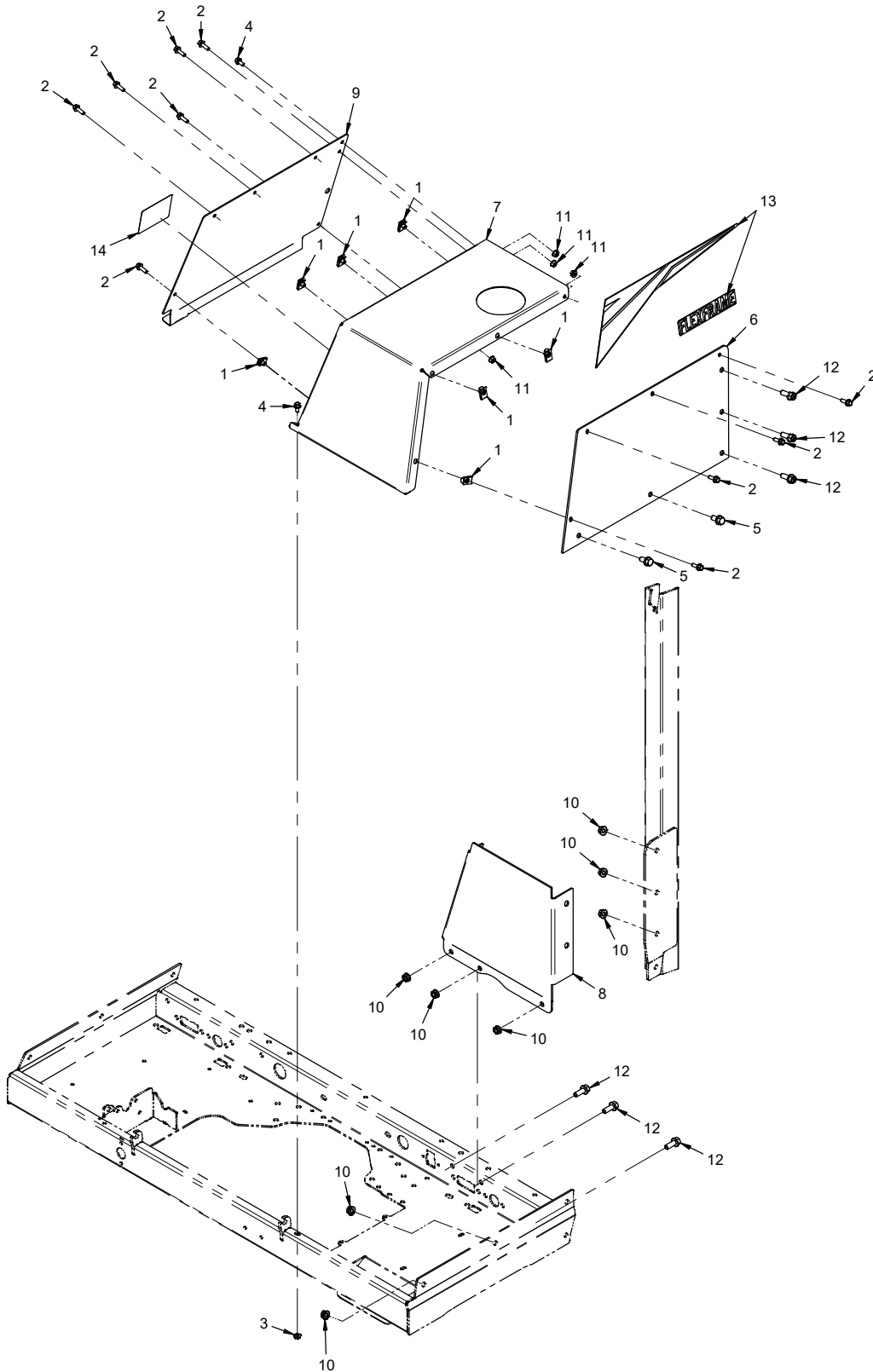
# FRAMES / SHEET METAL

## Seat Box & Upper Rear Frame

REF.	PART NO.	DESCRIPTION	QTY.
1	99.E0046	Nut, "U" 1/4-20 Extruded	4
2	99.SF05	Nut, SRF 5/16-18 USS	1
3	99.E0105	Nut, Insert 1/4-20 Hex	2
4	99.SF0405-1	Bolt, SMF 1/4-20 X 5/8	6
5	99.G0003	Washer, Star-External 5/16	1
6	95.05	Washer, Flat 5/16 SAE	2
7	90.0510	Bolt, 5/16-18 USS x 1-1/4	1
8	99.A05N	Locknut, Nylon 5/16-18 USS	1
9	KN-1027	Frame, Rear Upper	1
10	99.E0082	Nut, Locking Flange 3/8-16	6
11	99.A04N	Locknut, Nylon 1/4-20	1
12	99.E0101	Nut, Locking Flange 1/4-20	2
13	99.SF0608-1	Bolt, SMF 3/8-16 x 1	6
14	KN-1269	.4520	2
15	06.0050-6IN	Trim, Trim Loc 1/2 x 3/16 x 6"L	1
16	99.SF0414-1	Bolt, SMF 1/4-20 x 1-3/4	2
17	64.2035	Spacer, 1/4"ID x 1/2"OD x 1" L	2
18	00.0694	Decal, Safety 4520	1
19	00.0334	Decal, Fuel On/Off	1
20	30.0339	Module, Power Relay	1
21	99.K0060	Machine Screw, #6-32 X 3/4	4
22	99.E0085	Locknut, Nylon #6-32	4
23	99.SF0416-1	BOLT, SMF 1/4-20 X 2	1
24	KN-1146	Mount, SDLA 2 Spool Valve	1
25	KN-6018	Frame, Seatbox	1
26	33.0061	Light, Marker Red Oval	2

# FRAMES / SHEET METAL

## ILLUSTRATED DRAWING Left Seat Box Panels



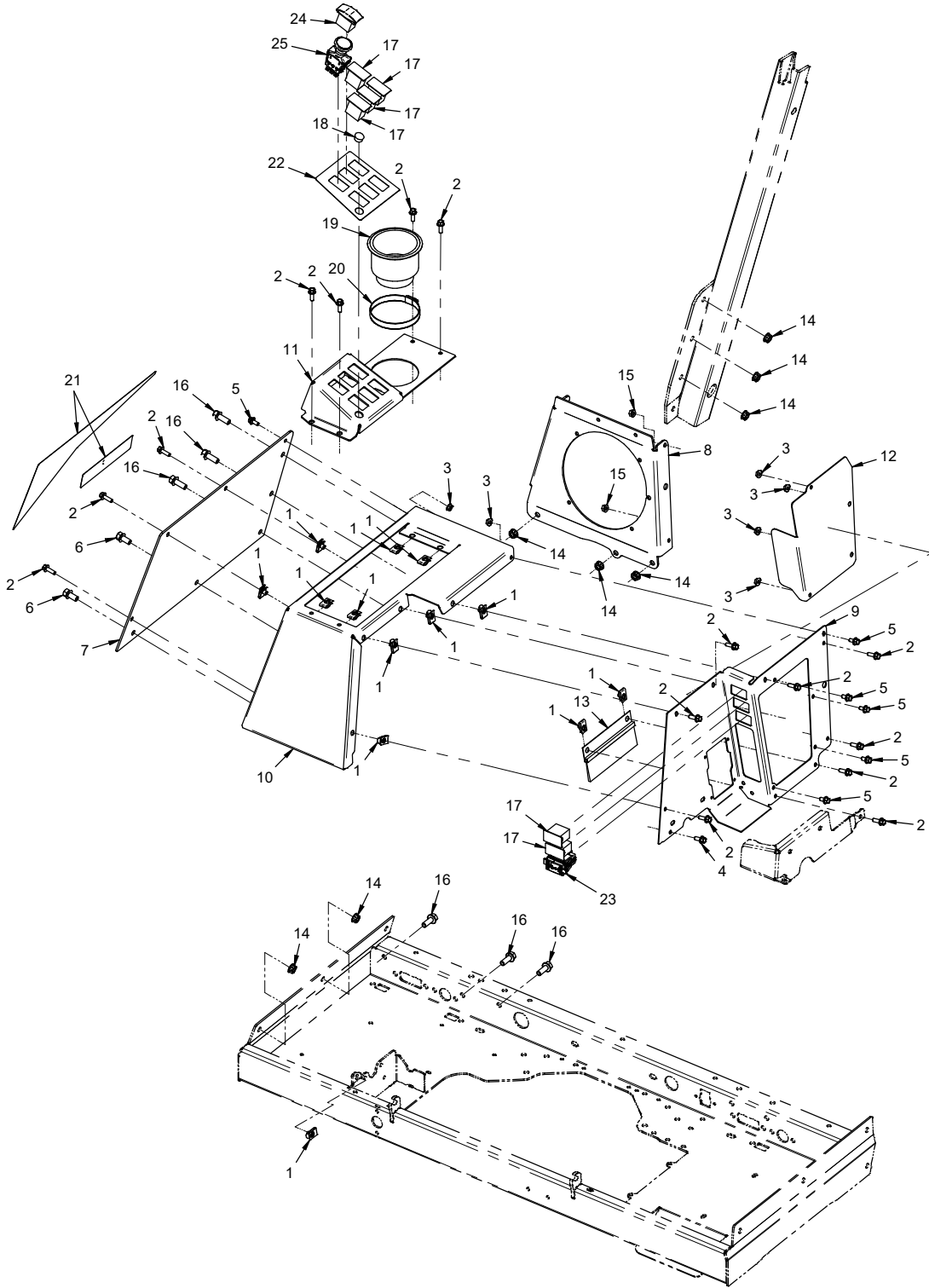
# FRAMES / SHEET METAL

## Left Seat Box Panels

REF.	PART NO.	DESCRIPTION	QTY.
1	99.E0046	Nut, "U" 1/4-20 Extruded	7
2	99.SF0406-1	Bolt, SMF 1/4-20 X 3/4	10
3	99.SF04	Nut, SRF 1/4-20 USS	1
4	99.SF0404-1	Bolt, SMF 1/4-20 X 1/2	2
5	99.SF0606-1	Bolt, SMF 3/8-16 USS x 3/4	2
6	60.1148	Panel, Seatbox Left	1
7	KN-1205	Cover, Fuel Tank Main	1
8	KN-1204	Panel, Seatbox Rear Left	1
9	60.1125	Cover, Fuel Tank Inner	1
10	99.E0082	Nut, Locking Flange 3/8-16	8
11	99.E0101	Nut, Locking Flange 1/4-20	4
12	99.SF0608-1	Bolt, SMF 3/8-16 x 1	6
13	00.0666	Decal, Rear Fender Left	1
14	00.0629	Decal, Battery Hazard	1

# FRAMES / SHEET METAL

## ILLUSTRATED DRAWING Right Seat Box Panels





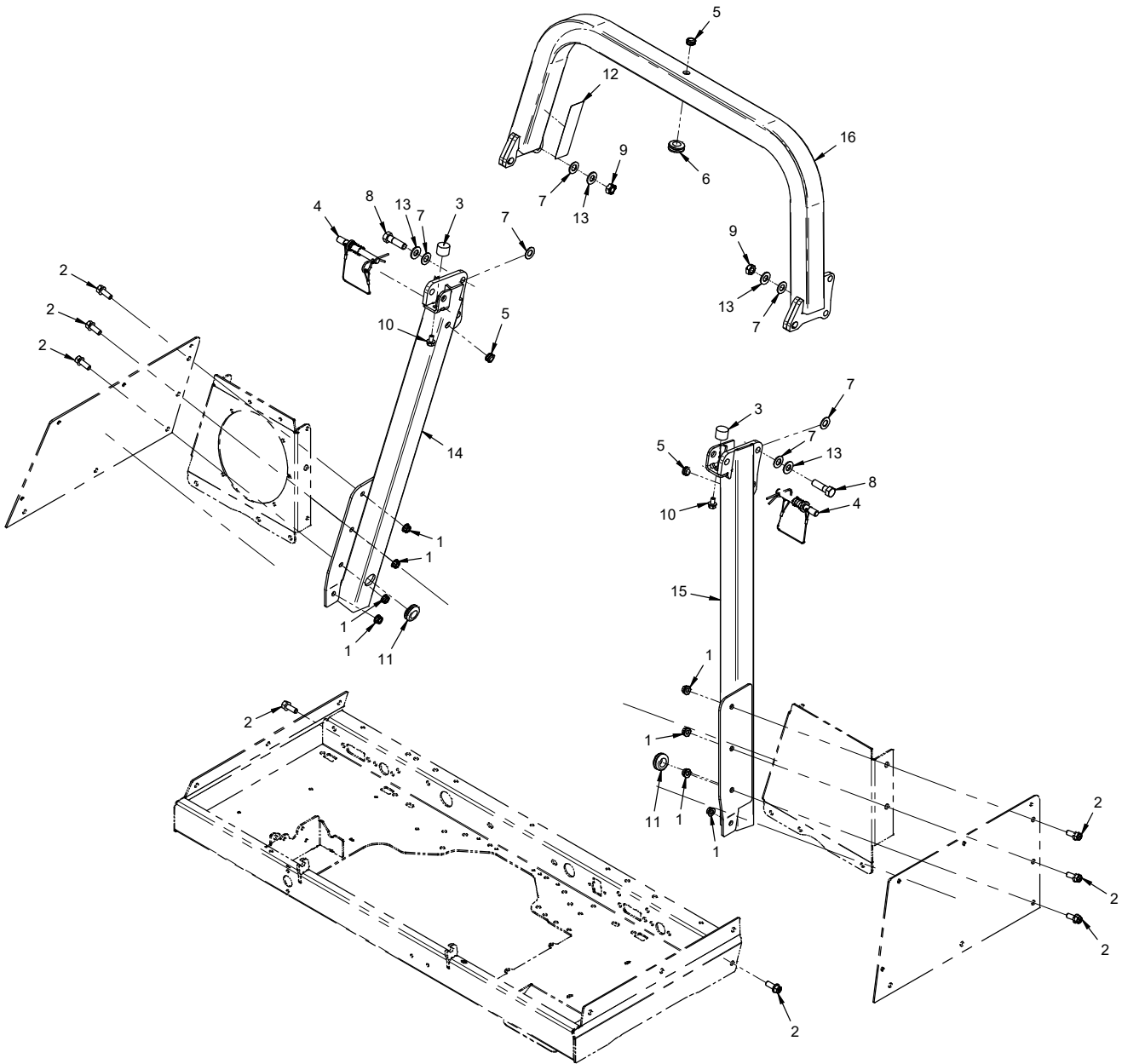
# FRAMES / SHEET METAL

## Right Seat Box Panels

REF.	PART NO.	DESCRIPTION	QTY.
1	99.E0046	Nut, "U" 1/4-20 Extruded	13
2	99.SF0406-1	Bolt, SMF 1/4-20 X 3/4	15
3	99.SF04	Nut, SRF 1/4-20 USS	6
4	99.SF0405-1	Bolt, SMF 1/4-20 X 5/8	1
5	99.SF0404-1	Bolt, SMF 1/4-20 X 1/2	6
6	99.SF0606-1	Bolt, SMF 3/8-16 USS x 3/4	2
7	60.1148	Panel, Seatbox Left	1
8	KN-1201	Panel, Seatbox Rear Right	1
9	KN-1198	Panel, Hyd Cooler Inner	1
10	KN-1238	Cover, Hyd Cooler Top Front	1
11	KN-1227	Panel, Control	1
12	64.1596	Screen, Hyd. Oil Cooler	1
13	79.0093	Brush, Side Panel w/Holder	1
14	99.E0082	Nut, Locking Flange 3/8-16	8
15	99.E0101	Nut, Locking Flange 1/4-20	2
16	99.SF0608-1	Bolt, SMF 3/8-16 x 1	6
17	05.0131	Plug, Switch Otto K5	6
18	05.0139	Plug, 5/8" Hole, Blk Plastic	1
19	47.0185	Holder, Cup 3.586 OD x 3-1/4 DP	1
20	11.0077	Clamp, Hose 3-1/16 To 4"	1
21	00.0667	Decal, Rear Fender Right	1
22	00.0687	Decal, Control Panel	1
23	30.0542	Receptacle, USB Dual	1
24	31.0053	Switch, Rocker On/Off	1
25	31.0076	Switch, PTO - Push/Pull	1

# FRAMES / SHEET METAL

## ILLUSTRATED DRAWING Roll Bar



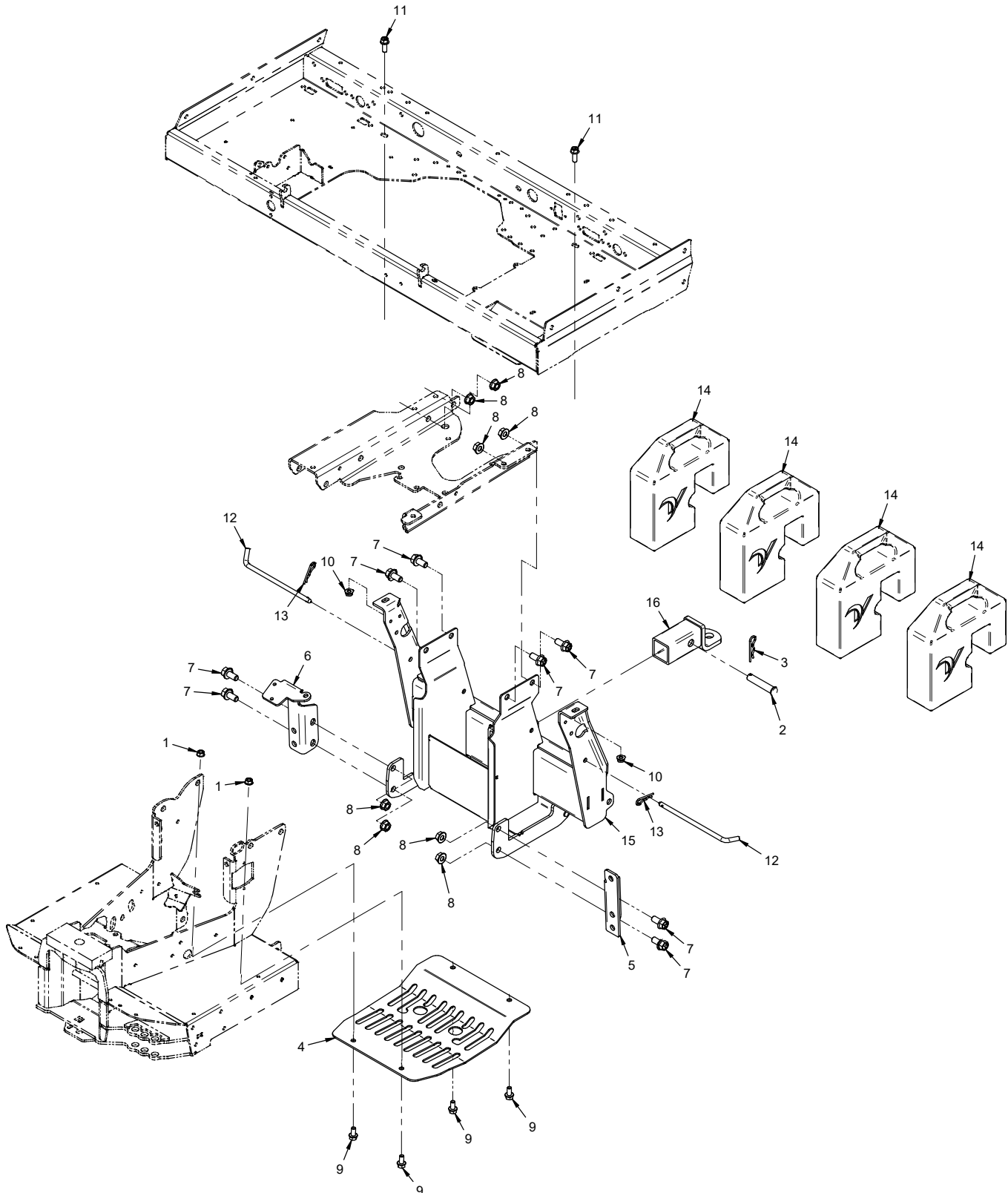
# FRAMES / SHEET METAL

## Roll Bar

REF.	PART NO.	DESCRIPTION	QTY.
1	99.E0082	Nut, Locking Flange 3/8-16	8
2	99.SF0608-1	Bolt, SMF 3/8-16 x 1	8
3	05.0110	Bumper, Neoprene 1" Dia	2
4	03.0037	Pin, Knurled w/Spring & Lanyard	2
5	05.0138	Grommet, 7/16ID, 11/16OD, 3/8Thk.	3
6	05.0196	Grommet, 11/16" ID, 1 5/16" OD, 1/2" Thk	1
7	05.0145	WASHER, .55ID x 1.03OD x .062T	6
8	90.0814	Bolt, 1/2-13 USS x 1-3/4	2
9	99.A08	Locknut, Stover 1/2-13 USS	2
10	99.SF0504-1	Bolt, SMF 5/16-18 USS x 1/2	2
11	05.0045	Grommet, 3/4Id, 1 3/8Od, 1/2Thk.	2
12	00.0644	Decal, ROPS 4500/4520	1
13	95.08	Washer, Flat 1/2 SAE	4
14	62.1510	Roll Bar, Fold Down Right	1
15	62.1511	Roll Bar, Fold Down Left	1
16	62.1509	Roll Bar, Fold Down Top	1

# FRAMES / SHEET METAL

## ILLUSTRATED DRAWING Standard Rear Hitch



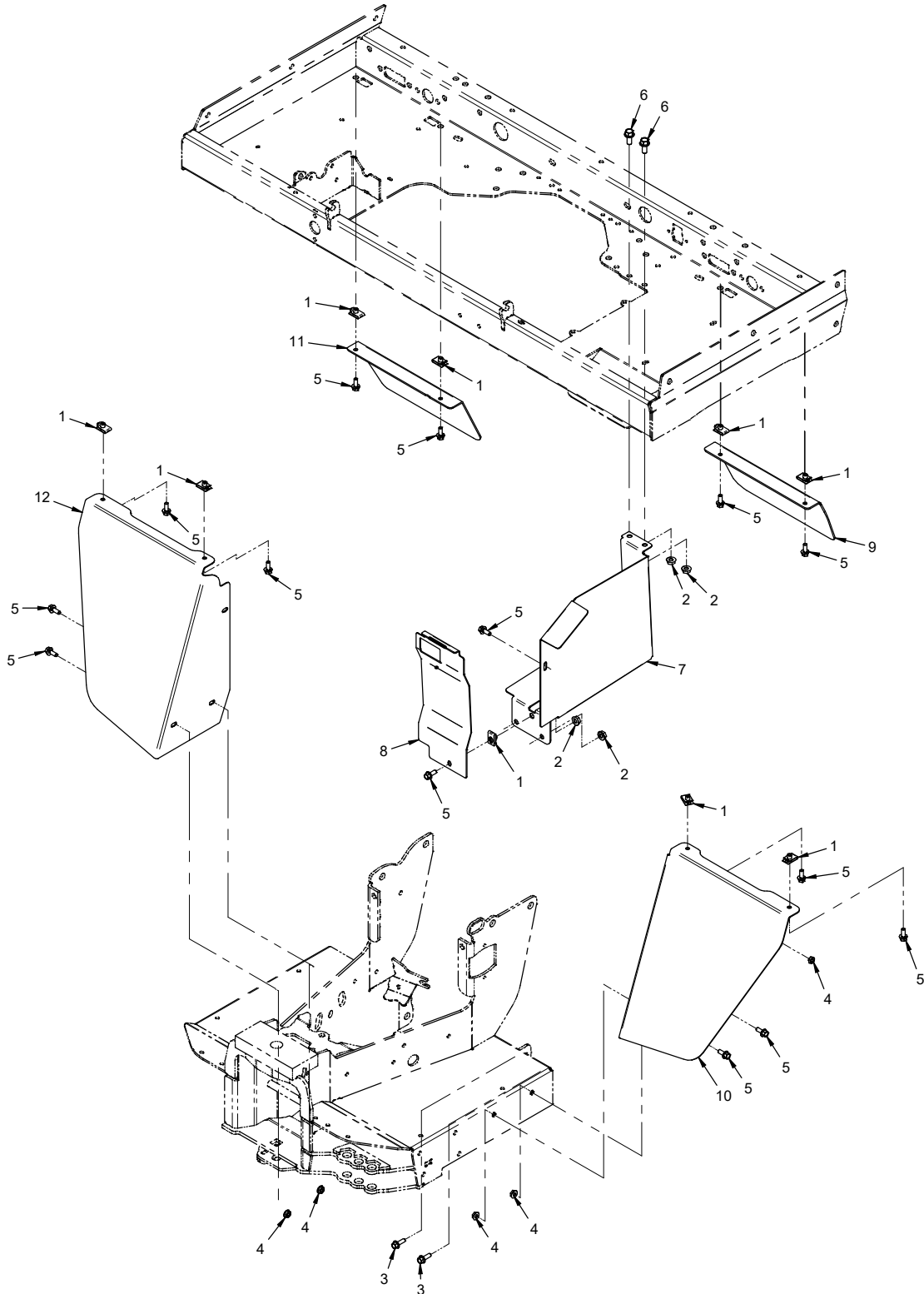
# FRAMES / SHEET METAL

## Standard Rear Hitch

REF.	PART NO.	DESCRIPTION	QTY.
1	99.SF06	Nut, SRF 3/8-16 USS	4
2	03.1024	Clevis Pin, 5/8 X 3 OAL ZP	1
3	02.HP0420	Hairpin, 1/8 x 2 9/16 ZP	1
4	64.1867	Plate, Rear Axle Skid No 3PT	1
5	64.1865	Bracket, Rear Hitch Mt Left	1
6	KN-1032	Bracket, Rear Hitch Mt Right	1
7	99.SF0808-1	Bolt, SMF 1/2-13 x 1	8
8	99.SF08	Nut, SRF 1/2-13 USS	8
9	99.SF0606-1	Bolt, SMF 3/8-16 USS x 3/4	4
10	99.E0082	Nut, Locking Flange 3/8-16	2
11	99.SF0608-1	Bolt, SMF 3/8-16 x 1	2
12	64.0761	Pin, Weight Secure 7.3" Usable	2
13	02.HP0416	Hairpin, 1/8 X 2 ZP	2
14	47.0115-1	Weight, Suitcase - 42 LBS	4
15	62.1363	Frame, Rear Weight Bar/Hitch	1
16	62.0968	Hitch, Rear	1

# FRAMES / SHEET METAL

## ILLUSTRATED DRAWING Rear Fenders & Battery Compartment



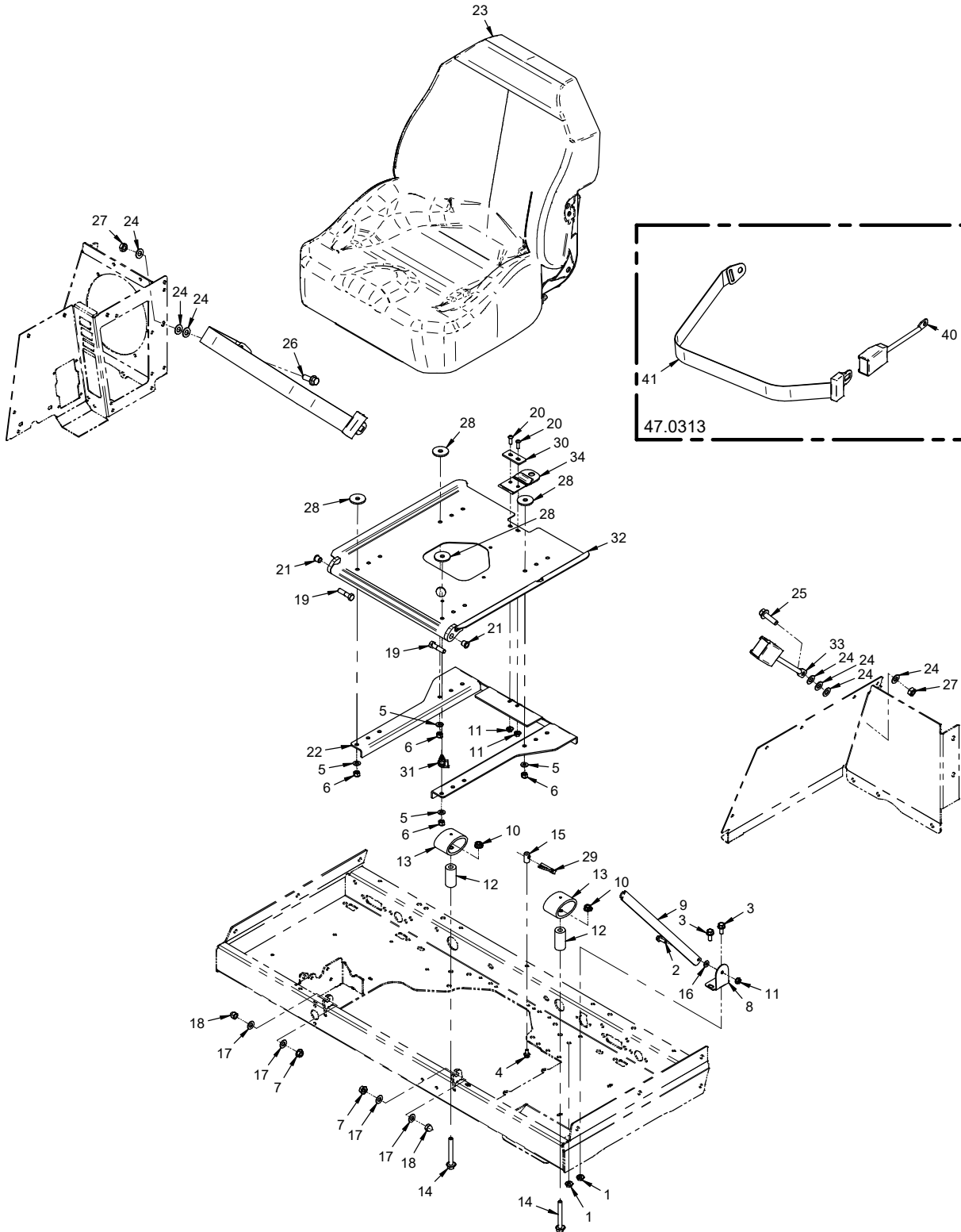
# FRAMES / SHEET METAL

## Rear Fenders & Battery Compartment

REF.	PART NO.	DESCRIPTION	QTY.
1	99.E0046	Nut, "U" 1/4-20 Extruded	9
2	99.SF05	Nut, SRF 5/16-18 USS	4
3	99.SF0406-1	Bolt, SMF 1/4-20 X 3/4	2
4	99.SF04	Nut, SRF 1/4-20 USS	5
5	99.SF0405-1	Bolt, SMF 1/4-20 X 5/8	14
6	99.SF0506-1	Bolt, SMF 5/16-18 USS X 3/4	2
7	60.1116	Panel, Battery Compartment	1
8	60.1117	Panel, Foot Platform Left	1
9	60.1127	Fender, Rear Flap Left	1
10	60.1130	Fender, Rear Left	1
11	60.1146	Fender, Rear Flap Right	1
12	60.1131	Fender, Rear Right	1

# FRAMES / SHEET METAL

## ILLUSTRATED DRAWING Standard Seat Assembly





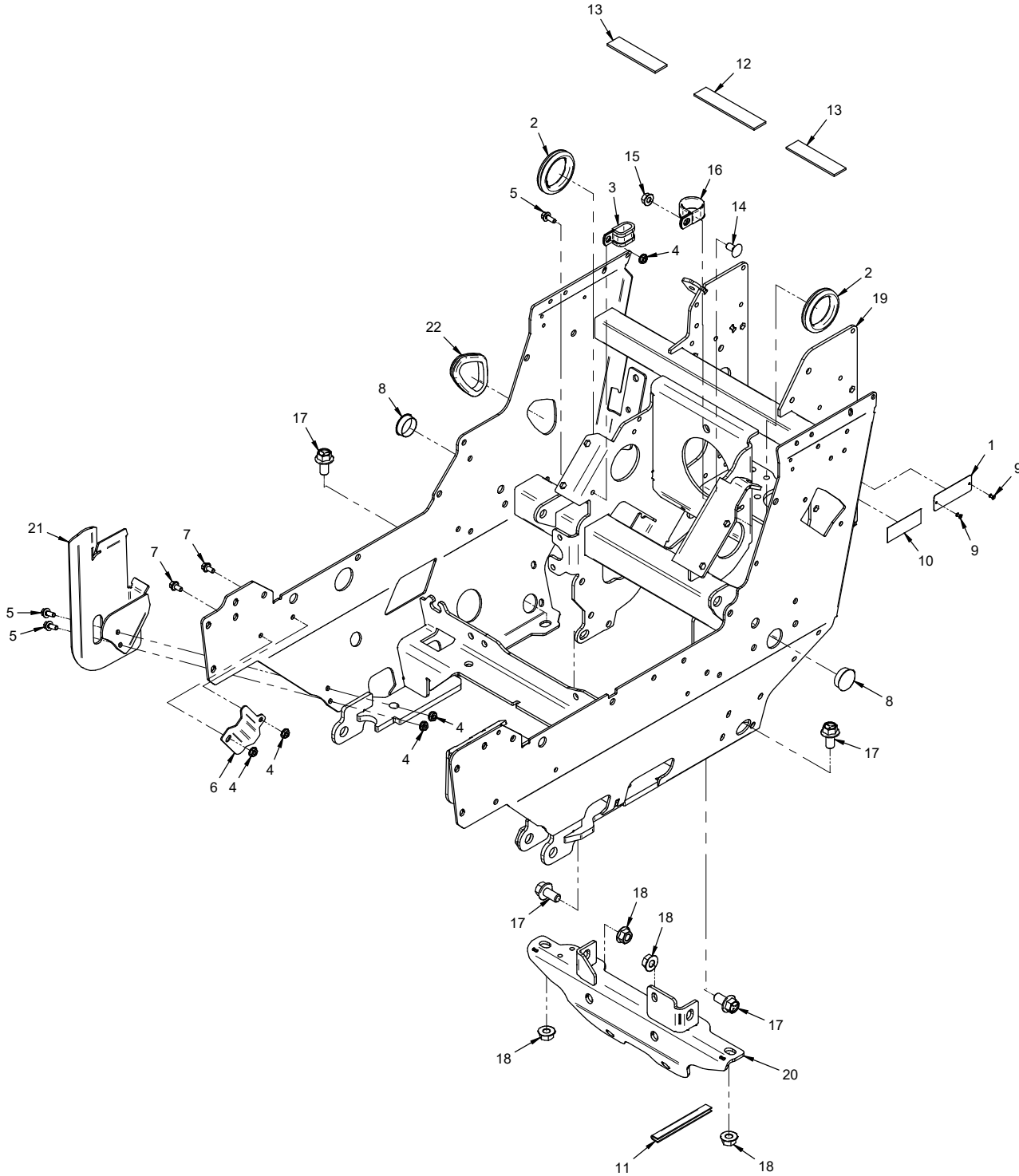
# FRAMES / SHEET METAL

## Standard Seat Assembly

REF.	PART NO.	DESCRIPTION	QTY.
1	99.SF05	.Nut, SRF 5/16-18 USS	2
2	99.SF0406-1	.Bolt, SMF 1/4-20 X 3/4	1
3	99.SF0506-1	.Bolt, SMF 5/16-18 USS x 3/4	2
4	99.SF0404-1	.Bolt, SMF 1/4-20 X 1/2	1
5	95.05	.Washer, Flat 5/16 SAE	4
6	99.A05N	.Locknut, Nylon 5/16-18 USS	4
7	99.SF06	.Nut, SRF 3/8-16 USS	2
8	64.1598	.Bracket, Seat Prop	1
9	64.1599	.Plate, Seat Prop	1
10	99.E0082	.Nut, Locking Flange 3/8-16	2
11	99.E0101	.Nut, Locking Flange 1/4-20	3
12	64.1681	.Tube, Seat Bumper	2
13	05.0137	.Bumper, Elastomer 3.4"	2
14	99.SF0624-1	.BOLT, SMF 3/8-16 X 3	2
15	03.0019	.Pin, Seat Latch	1
16	95.04	.Washer, Flat 1/4 SAE	1
17	95.06	.Washer, Flat 3/8 SAE	4
18	99.E0100	.Nut, Acorn 3/8-16	2
19	90.0612	.Bolt, 3/8-16 USS x 1-1/2	2
20	99.0406	.Bolt, 1/4-20 x 3/4 BSCS	2
21	85.B0068	.Bushing, 3/8 X 1/2 OD X 1/2 LG	2
22	KN-1147	.Plate, Seat Support	1
23	47.0489	.Seat, Deluxe High Back	1
24	95.07	.Washer, Flat 7/16 SAE	7
25	99.SF0712-1	.BOLT, SMF 7/16-14 X 1-1/2	1
26	99.SF0710-1	.BOLT, SMF 7/16-14 X 1-1/4	1
27	99.A07	.Locknut, Stover 7/16-14 USS	2
28	99.B0076	.Washer, .130T x .395ID x 1.5OD	4
29	03.0021	.Pin, Linch (3/16)	1
30	64.1723	.Clamp, Seat Latch Strap	1
31	30.0135	.Clamp, Loom 3/8 Rosebud Mount	1
32	KN-1308	.Mount, Seat	1
33	47.0313	.Seat Belt, Lap w/Buckle	1
34	47.0335	.Strap, Seat Latch	1
40	47.0313-2	.Seat Belt, Buckle	1
41	47.0313-1	.Seat Belt, Lap Belt	1

# FRAMES / SHEET METAL

## ILLUSTRATED DRAWING Front Frame, Frame Connector Bracket, Hose Retainer



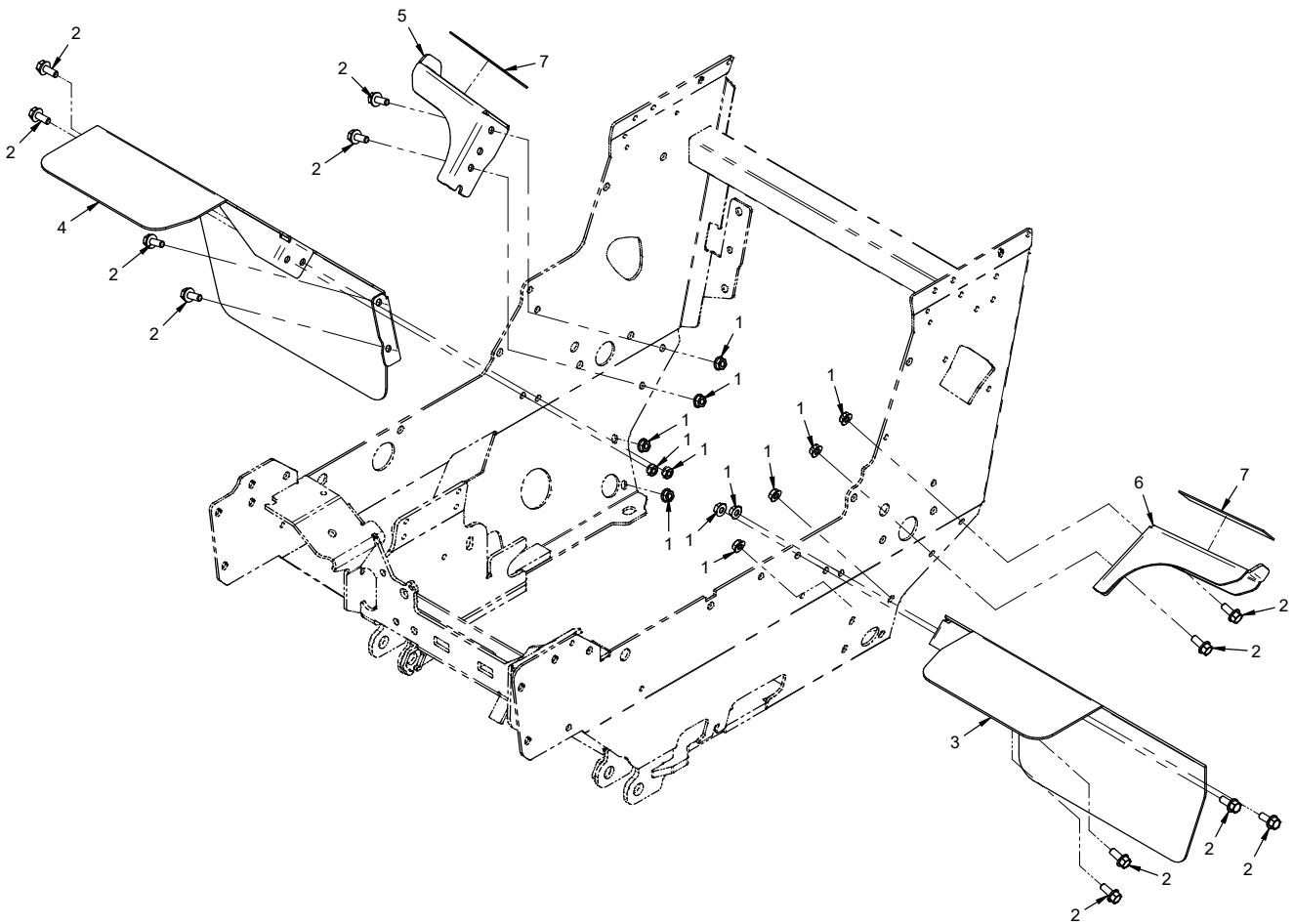
# FRAMES / SHEET METAL

## Front Frame, Frame Connector Bracket, Hose Retainer

REF.	PART NO.	DESCRIPTION	QTY.
1	N/A	.Plate, Ventrac Serial Number	1
2	05.0073	.Grommet, 2 ID, 2-3/4 OD 9/16 T	2
3	11.0046	.Clamp, Cushioned 1/2" 2-Tube	1
4	99.SF04	.Nut, SRF 1/4-20 USS	5
5	99.SF0405-1	.Bolt, SMF 1/4-20 X 5/8.	3
6	64.1729	.Retainer, Wire Loom	1
7	99.SF0404-1	.Bolt, SMF 1/4-20 X 1/2.	2
8	05.0091	.Plug, 1-1/4" Hole, Blk Plastic	2
9	04.0029	.Rivet, Pop 1/8" X 1/4" SS.	2
10	00.0100	.Decal, Built in the USA	1
11	06.0050-4.5IN	.Trim, Trim Loc 1/2 x 3/16 x 4-1/2"	1
12	06.0065-5IN	.Velcro, Loop 1" Black x 5"	1
13	06.0065-4IN	.Velcro, Loop 1" Black x 4"	2
14	99.SF0606-1	.Bolt, SMF 3/8-16 USS x 3/4 (Serial # 01001-01607).	1
14	97.0606	.Bolt, Carriage 3/8-16 x 3/4 (Serial # 01608-)	1
15	99.SF06	.Nut, SRF 3/8-16 USS	1
16	44.0418	.Clamp, 1-1/4" Loop Vinyl Cushion.	1
17	99.SF0808-1	.Bolt, SMF 1/2-13 x 1	4
18	99.SF08	.Nut, SRF 1/2-13 USS	4
19	KN-6010	.Frame, Main Front.	1
20	KN-6013	.Bracket, Connector Frame MT.	1
21	KN-6038	.Bracket, Hose Retainer	1
22	05.0148	.Grommet, 2-1/2ID, 3-1/8OD, 3/8T.	1

# FRAMES / SHEET METAL

## ILLUSTRATED DRAWING Front Fenders & Foot Pegs



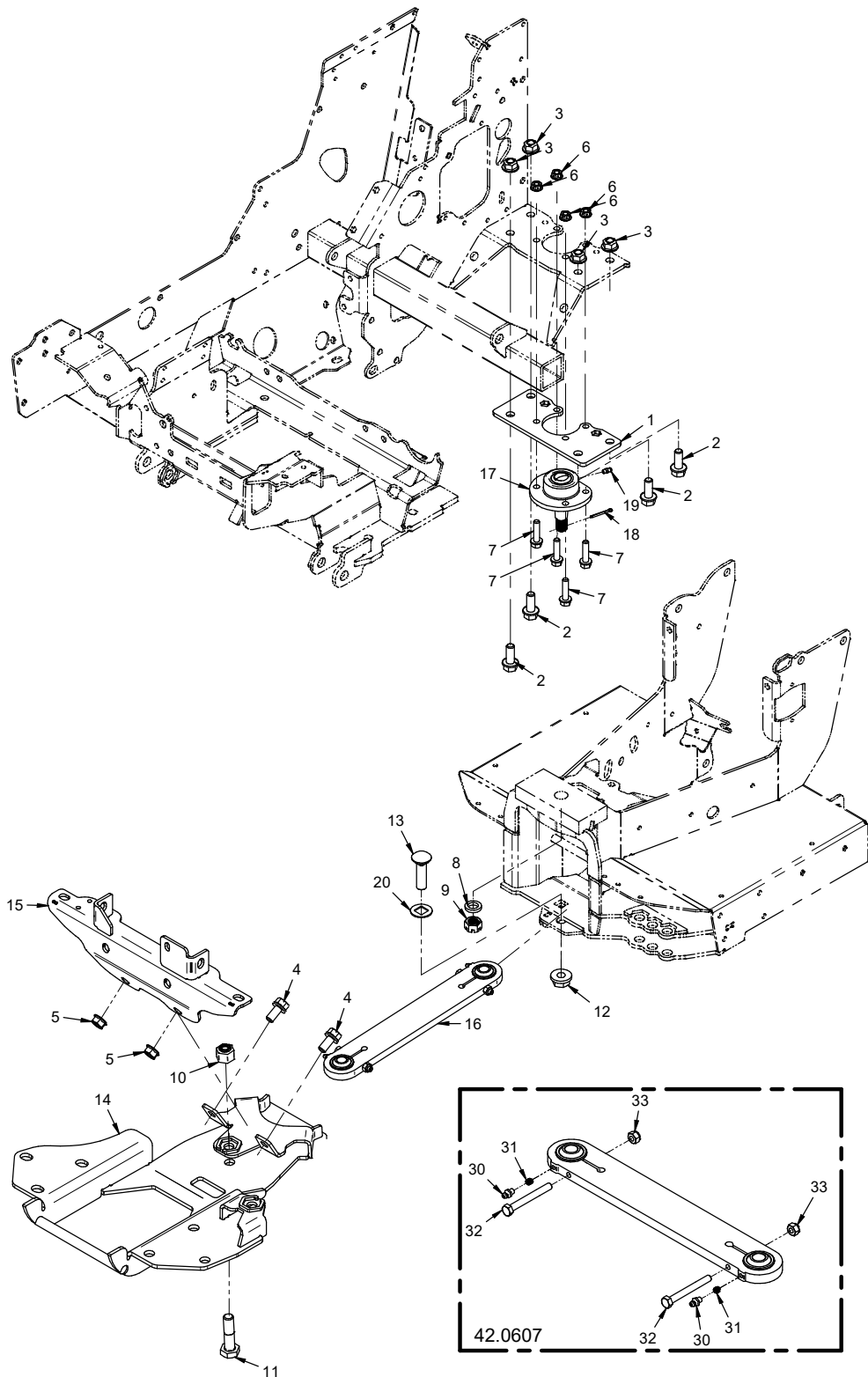
# FRAMES / SHEET METAL

## Front Fenders & Foot Pegs

REF.	PART NO.	DESCRIPTION	QTY.
1	99.SF05	Nut, SRF 5/16-18 USS	12
2	99.SF0506-1	Bolt, SMF 5/16-18 USS X 3/4.	12
3	60.1133	Fender, Front Left	1
4	60.1134	Fender, Front Right	1
5	64.1707	Foot Peg, Right	1
6	64.1708	Foot Peg, Left	1
7	44.0330	Flex Tread, Foot Peg KN	2

# FRAMES / SHEET METAL

## ILLUSTRATED DRAWING Center Pivot & Connector Link



# FRAMES / SHEET METAL

## Center Pivot & Connector Link

REF.	PART NO.	DESCRIPTION	QTY.
1	KN-1185	.Mount, Main Pivot Flange	1
2	99.SF0810-1	.Bolt, SMF 1/2-13 x 1-1/4	4
3	99.E0103	.Nut, Locking Flange 1/2-13	4
4	99.SF0808-1	.Bolt, SMF 1/2-13 x 1	2
5	99.SF08	.Nut, SRF 1/2-13 USS	2
6	99.E0082	.Nut, Locking Flange 3/8-16	4
7	99.SF0612-1	.BOLT, SMF 3/8-16 X 1-1/2	4
8	99.B0061	.Washer, 3/16 X 21/32 X 1 1/32	1
9	99.E0057	.NUT, CASTLE 5/8-18 SAE	1
10	99.E0095	.Locknut, 5/8-11 Heavy Nylon	1
11	99.K0112	.Bolt, 5/8-11 X 2-1/2 Grd A325	1
12	99.E0094	.Locknut, 5/8-11 Flanged Stover	1
13	97.1018	.Bolt, Carriage 5/8-11 x 2-1/4 GR5	1
14	62.1371	.Revised KN-220, KN-222	1
15	KN-6013	.Bracket, Connector Frame MT	1
16	42.0607	.Link, Front/Rear Connector	1
17	43.1007	.Ball Joint, Main Articulating	1
18	02.CP0410	.Cotter Pin, 1/8 X 1-1/4	1
19	29.GF0001	.Grease Ftg, 1/4 SAE ST	1
20	64.1724	.Spacer, Connector Link Bolt	1
30	29.GF0020	.Grease Fitting, M6 x 1.0	2
31	85.SS32	.Set Screw, M6-1.0 Hollow	2
32	99.M0075	.Bolt, M8 X 1.25 X 70mm	2
33	99.M0068	.Nut, M8 x 1.25 Nylon Lock	2





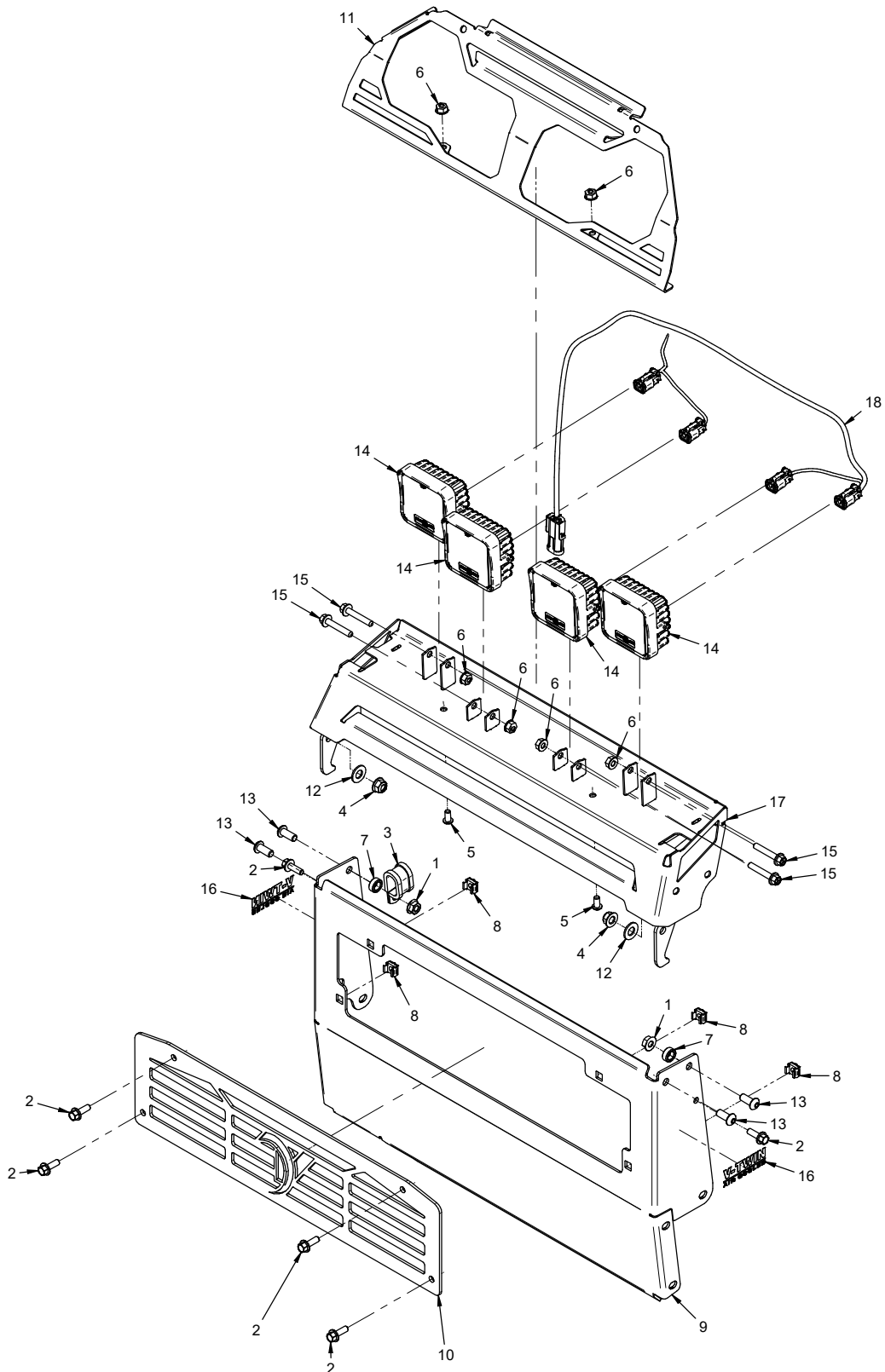
# FRAMES / SHEET METAL

## Front Hitch

REF.	PART NO.	DESCRIPTION	QTY.
1	64.1617	.Lock, Front Hitch Lever	1
2	06.0044	.Cap, Plastic 1/8 x 1/2 x 7/8	1
3	99.SF0508-1	.Bolt, SMF 5/16-18 x 1	1
4	00.0317	.Decal, Front Hitch Lock	1
5	99.E0102	.Nut, Locking Flange 5/16-18	1
6	05.0055	.Washer, Nylon .34 x .74 x .062	3
7	99.SF06	.Nut, SRF 3/8-16 USS	3
8	41.0039	.Spring, Comp. 9/16 OD X 5/8	1
9	95.06	.Washer, Flat 3/8 SAE	2
10	40.0376	.Lever, Front Hitch Latch	1
11	99.SF0614-1	.Bolt, SMF 3/8-16 X 1-3/4	1
12	42.0558	.Link, Front Hitch Latch	1
13	06.0051	.Cap, 3/16 x 15/16 x 1-3/4 FE	1
14	90.0610	.Bolt, 3/8-16 USS x 1-1/4	1
15	02.CP0406	.Cotter Pin, 1/8 X 3/4, Zinc	1
16	99.E0100	.Nut, Acorn 3/8-16	1
17	64.1609	.Bushing, Front Hitch Pivot	2
18	29.GF0002	.Grease Ftg, 1/4 SAE 90	2
19	99.K0121	.Bolt, 5/8-11 X 3-1/4 Grd A325	2
20	99.E0095	.Locknut, 5/8-11 Heavy Nylon	2
21	KN-6040	.Frame, Front Hitch	1

# FRAMES / SHEET METAL

## ILLUSTRATED DRAWING Grill & Headlights



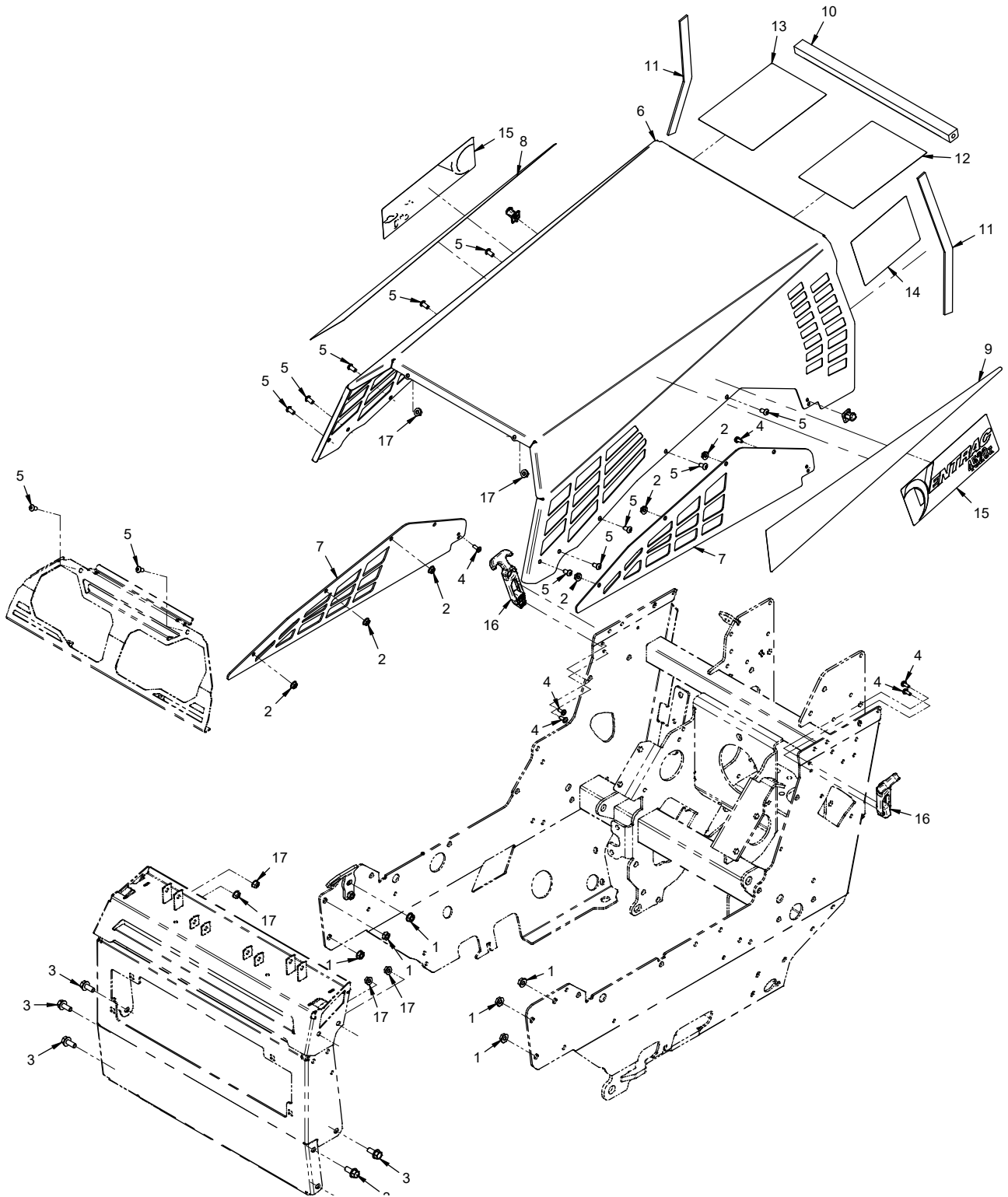
# FRAMES / SHEET METAL

## Grill & Headlights

REF.	PART NO.	DESCRIPTION	QTY.
1	99.SF05	Nut, SRF 5/16-18 USS	2
2	99.SF0406-1	Bolt, SMF 1/4-20 X 3/4	6
3	11.0046	Clamp, Cushioned 1/2" 2-Tube	1
4	99.E0102	Nut, Locking Flange 5/16-18	2
5	99.0404	Bolt, 1/4-20 x 1/2 BSCS	2
6	99.E0101	Nut, Locking Flange 1/4-20	6
7	64.0602	Bushing, 3/8 x 5/8 x .265	2
8	99.E0146	Nut, Cage 1/4-20 (.093 - .126")	4
9	KN-1123	Bumper, Front, With Short Access Panel	1
10	KN-1191	Plate, Front Grill "V", Short	1
11	KN-1166	Grill, Front Filler	1
12	05.0083	Washer, PVC .375ID x .875 x .0625	2
13	99.0506	Bolt, 5/16-18 x 3/4 BSCS	4
14	33.0086	Light, LED Flood	4
15	99.SF0412-1	Bolt, SMF 1/4-20 x 1-1/2	4
16	00.0320	Decal, V-Twin (4520K)	2
16	00.0321	Decal, DFI (4520P)	2
16	00.0322	Decal, Diesel Liquid Cooled (4520Y)	2
17	KN-6009	Grill, Front	1
18	32.0234	Harness, Wire 4520 Hood	1

# FRAMES / SHEET METAL

## ILLUSTRATED DRAWING Hood



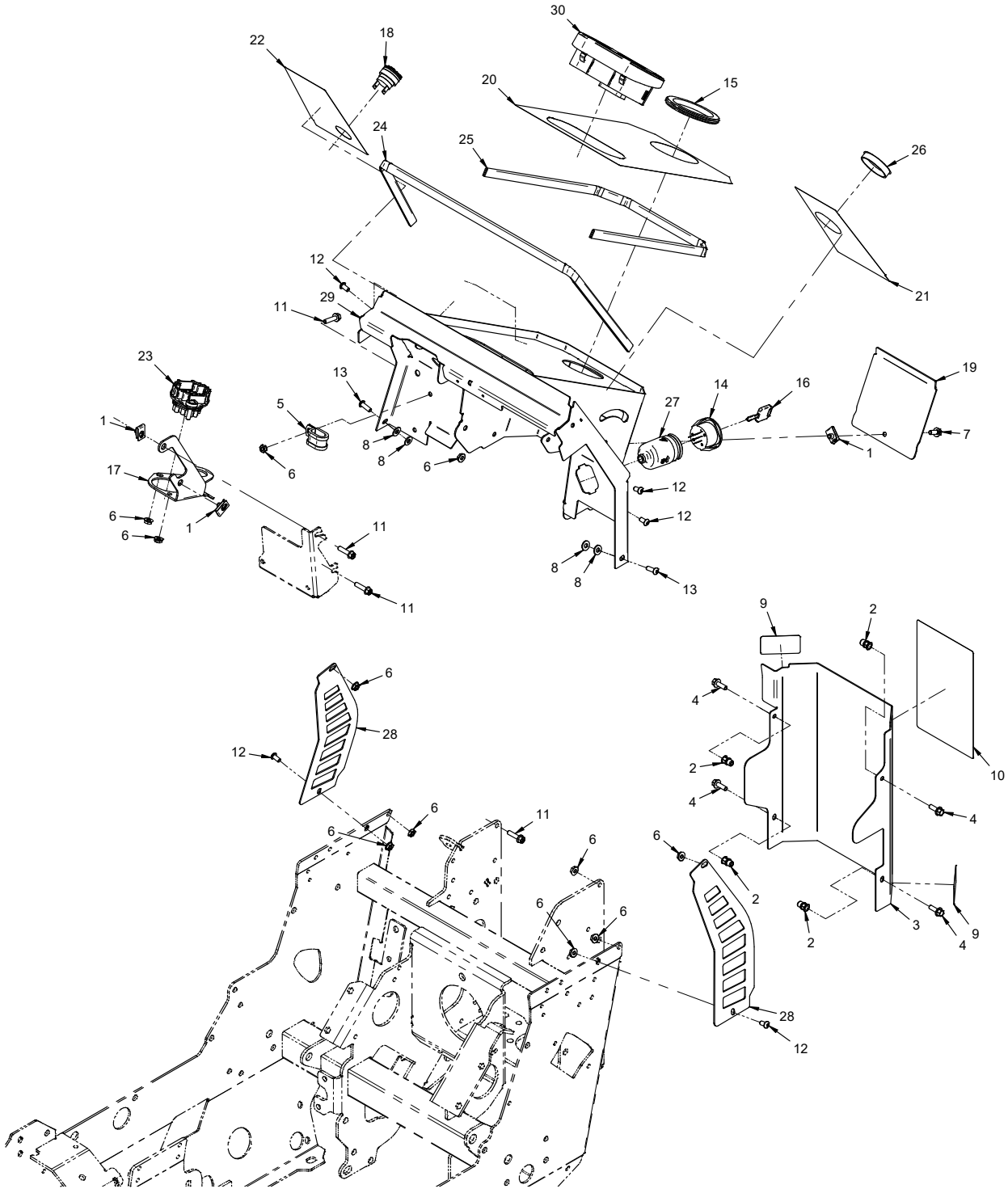
# FRAMES / SHEET METAL

## Hood

REF.	PART NO.	DESCRIPTION	QTY.
1	99.SF05	Nut, SRF 5/16-18 USS	6
2	99.SF04	Nut, SRF 1/4-20 USS	6
3	99.SF0506-1	Bolt, SMF 5/16-18 USS x 3/4	6
4	99.K0072	Machine Screw, 10-24 X 1/2 ZP	6
5	99.0404	Bolt, 1/4-20 x 1/2 BSCS	12
6	KN-1161	Hood, Engine	1
7	KN-1118	Shield, Hood Lower	2
8	00.0664	Decal, Hood Right	1
9	00.0665	Decal, Hood Left	1
10	44.0421	Seal, Hood Strip 4520	1
11	06.0045-12IN	Weatherstrip, 1/8 X 3/4 X 12"	2
12	00.0670	Decal, Maintenance 4520	1
13	00.0671	Decal, Quick Reference 4520 (Serial # 01001-02232)	1
13	00.0706	Decal, Quick Reference 4520 (Serial # 02232-)	1
14	00.0385	Decal, Maintenance Engine Oil	1
15	00.0653	Decal, Ventrac 4520Z	2
15	00.0654	Decal, Ventrac 4520P	2
15	00.0655	Decal, Ventrac 4520K	2
16	47.0127	Latch, Rubber Draw T-Handle	2
17	99.E0101	Nut, Locking Flange 1/4-20	6

# FRAMES / SHEET METAL

## ILLUSTRATED DRAWING Dash, Dash Brackets, Decals, & Switches



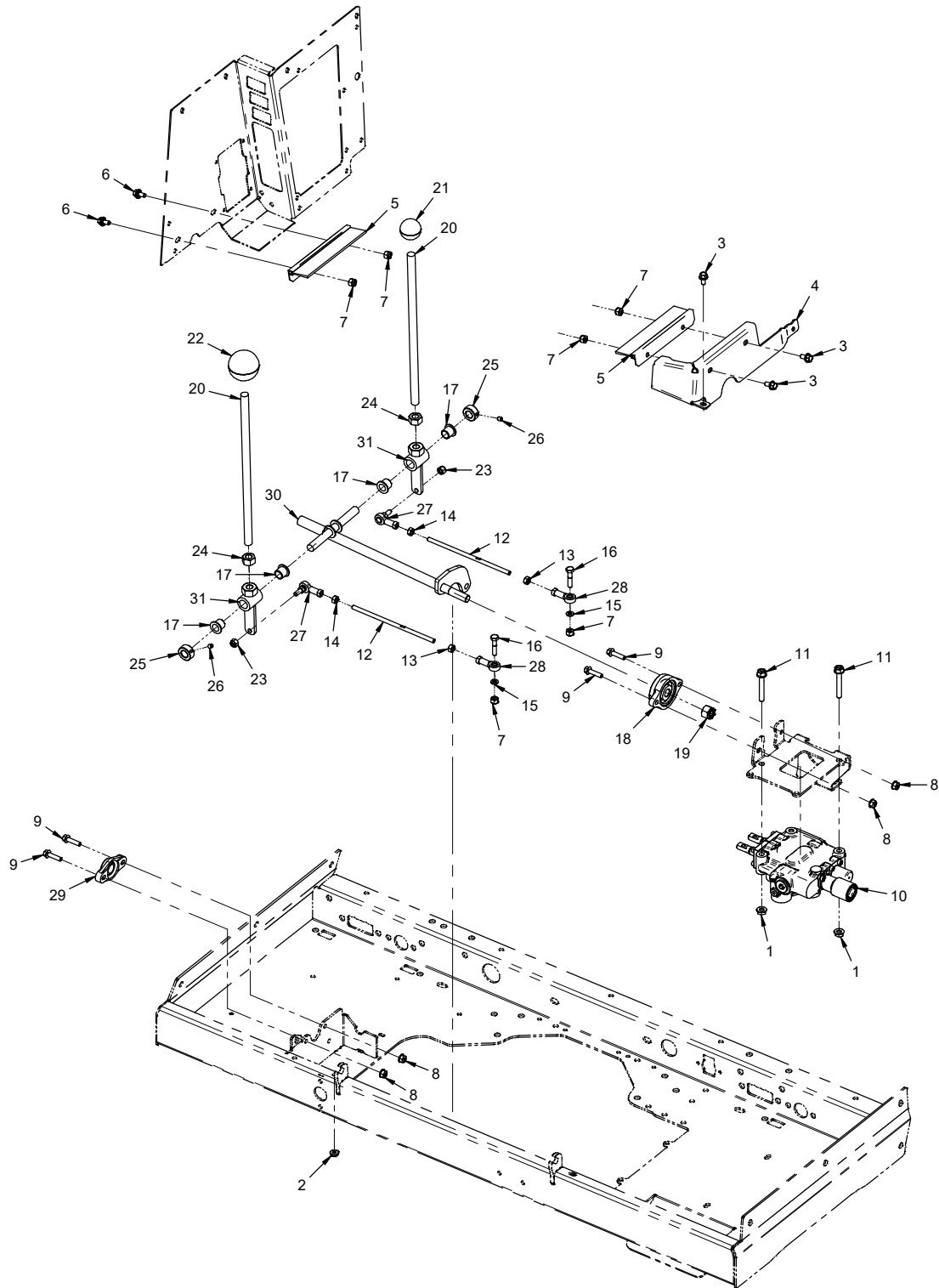
# FRAMES / SHEET METAL

## Dash, Dash Brackets, Decals, & Switches

REF.	PART NO.	DESCRIPTION	QTY.
1	99.E0046	Nut, "U" 1/4-20 Extruded	3
2	99.E0105	Nut, Insert 1/4-20 Hex	4
3	KN-1026	Cover, Pump	1
4	99.SF0406-1	Bolt, SMF 1/4-20 X 3/4	4
5	11.0046	Clamp, Cushioned 1/2" 2-Tube	1
6	99.SF04	Nut, SRF 1/4-20 USS	11
7	99.SF0405-1	Bolt, SMF 1/4-20 X 5/8	1
8	95.04	Washer, Flat 1/4 SAE	4
9	00.0639	Decal, Pinching Hazard Foot	2
10	00.0642	Decal, Slope Warning	1
11	99.SF0408-1	Bolt, SMF 1/4-20 x 1	4
12	99.0404	Bolt, 1/4-20 x 1/2 BSCS	5
13	99.0406	Bolt, 1/4-20 x 3/4 BSCS	2
14	13.0078	Switch, Ignition Delta	1
15	05.0080	Grommet, 2-3/4 ID, 3-5/8 OD, 5/16T	1
16	13.0080	Key, Ignition Delta	1
17	64.1691	Bracket, Harness Connector	1
18	35.0124	Alarm, Audible Cont. Panel Mt	1
19	KN-1144	Cover, Steering Valve	1
20	00.0684	Decal, Dash Center	1
21	00.0683	Decal, Dash Left	1
22	00.0685	Decal, Dash Right	1
23	30.0351	Connector, 22 Pos Wpak Female	1
24	06.0042-33.5IN	Trim, Trim Loc 1/2 x 1/16 x 33-1/2"	1
25	06.0042-34.88IN	Trim, Trim Loc 1/2 x 1/16 x 34-7/8"	1
26	05.0058	Plug, 2" Hole, Nylon	1
27	30.0469	Cover, Splashguard Ig Switch	1
28	KN-1136	Panel, Dash Access	2
29	KN-6019	Dash, Main Panel	1
30	35.0159	Gauge, Cluster Information	1

# CONTROLS & LINKAGE

## ILLUSTRATED DRAWING SDLA Control Levers





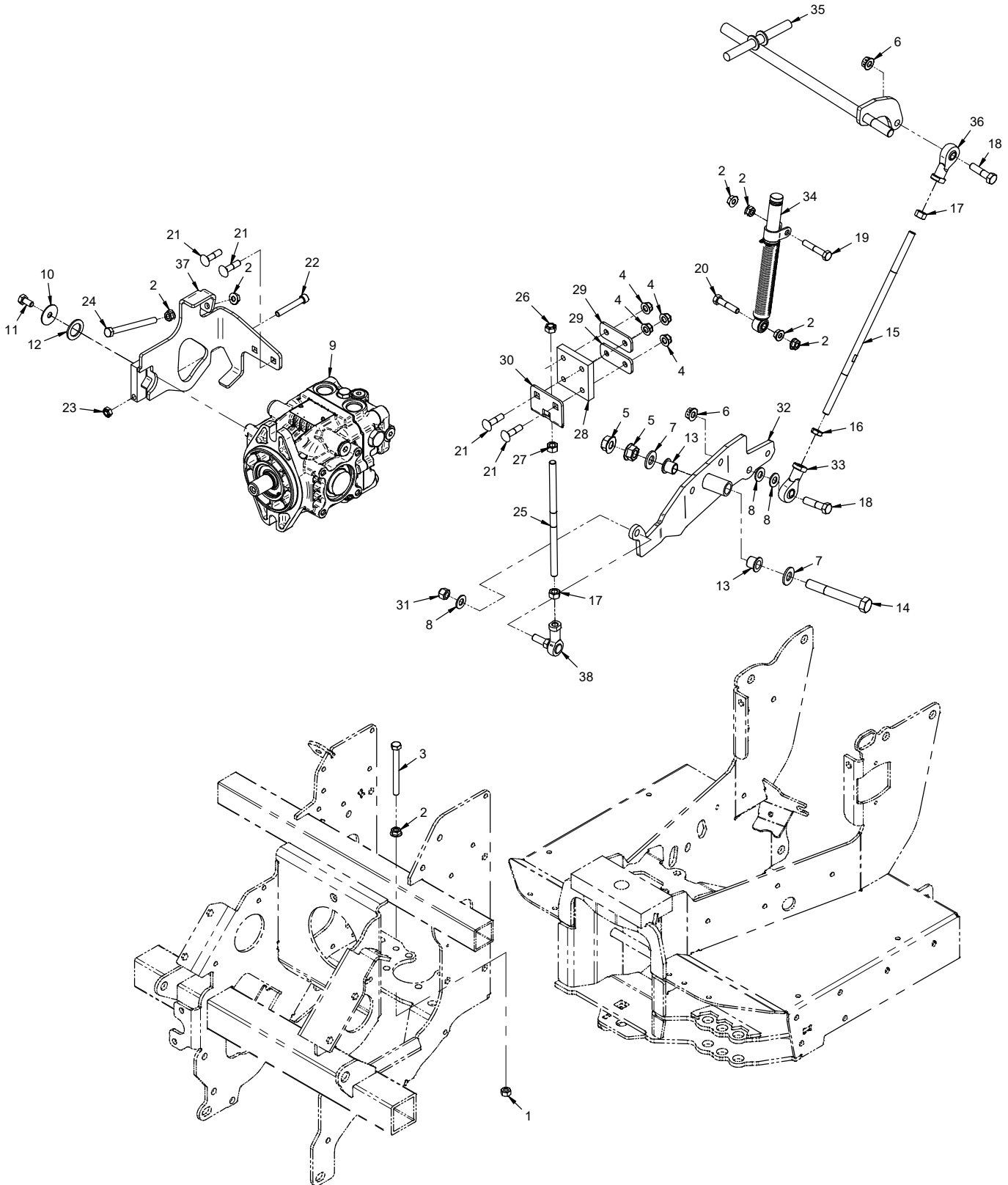
# CONTROLS & LINKAGE

## SDLA Control Levers

REF.	PART NO.	DESCRIPTION	QTY.
1	99.SF05	Nut, SRF 5/16-18 USS	2
2	99.SF04	Nut, SRF 1/4-20 USS	1
3	99.SF0404-1	Bolt, SMF 1/4-20 X 1/2	3
4	60.1120	Cover, SDLA Pivot	1
5	79.0091	Brush, SDLA Cover w/Holder	2
6	99.SF0404	Bolt, SRF 1/4-20 X 1/2	2
7	99.A04N	Locknut, Nylon 1/4-20	6
8	99.E0101	Nut, Locking Flange 1/4-20	4
9	99.SF0408-1	Bolt, SMF 1/4-20 x 1	4
10	23.0201	Valve, 2 Spool W/LH Flt, RH SP	1
11	99.SF0516-1	Bolt, SMF 5/16-18 x 2	2
12	42.0605	Rod, Thread 1/4-28 x 6.50 RH/LH	2
13	99.E0081	Nut, 1/4-28 LH Grade 8 YZ	2
14	93.04	Nut, 1/4-28 SAE	2
15	96.04	Washer, Lock 1/4	2
16	90.0410	Bolt, 1/4-20 USS x 1/1-4"	2
17	85.B0027	Bushing, 1/2 ID X 5/8 OD X 5/8	4
18	55.FB16008	Bearing, Flange Block 1/2"	1
19	99.A08N	Locknut, Nylon 1/2-13 USS	1
20	40.0240	Handle, F/R Control ZP	2
21	47.0329	Knob, Round 1-3/8" x 1/2-13	1
22	47.0003	Knob, Round 2" x 1/2-13	1
23	99.A04NFN	Locknut, Nylon 1/4-28	2
24	92.08-4	Nut, 1/2-13 Yellow ZP	2
25	85.SC08	Set Collar, 1/2"	2
26	85.SS19	Set Screw, 1/4-20 x 1/4"	2
27	43.004S	Rod End, 1/4 Spherical w/Stud	2
28	43.004L	Rod End, 1/4 Spherical LH	2
29	55.0081	Bearing, Flange Iigus 5/8"	1
30	KN-6005	Arm, SDLA Pivot	1
31	42.0400	Pivot, SDLA Lift Lever	2

# CONTROLS & LINKAGE

## ILLUSTRATED DRAWING SDLA Linkage



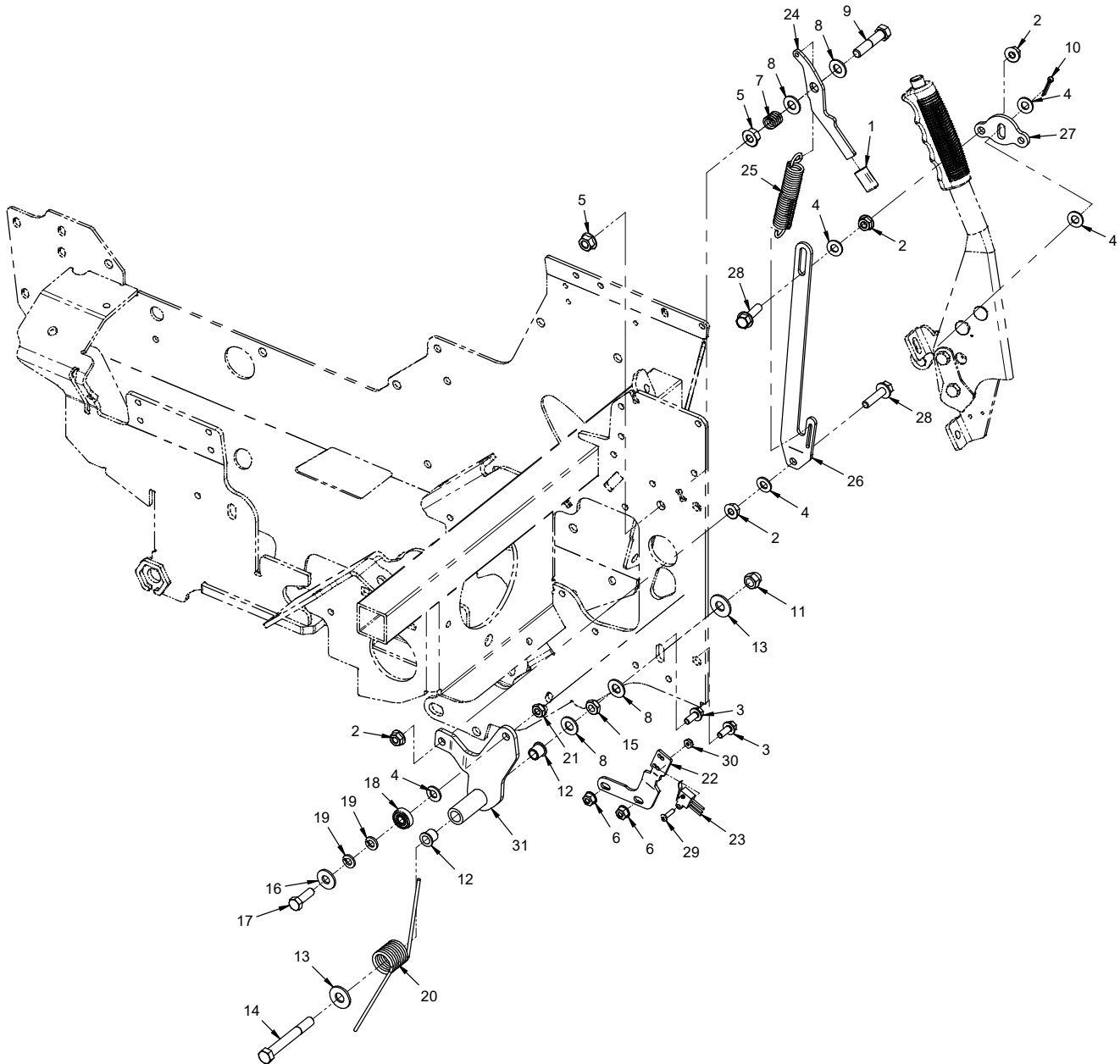
# CONTROLS & LINKAGE

## SDLA Linkage

REF.	PART NO.	DESCRIPTION	QTY.
1	92.05	Nut, 5/16-18 USS	1
2	99.SF05	Nut, SRF 5/16-18 USS	7
3	90.0526-2	Bolt, 5/16-18 x 3-1/4 Tap.	1
4	99.E0102	Nut, Locking Flange 5/16-18	4
5	99.SF08	Nut, SRF 1/2-13 USS	2
6	99.E0082	Nut, Locking Flange 3/8-16	2
7	95.08	Washer, Flat 1/2 SAE	2
8	95.06	Washer, Flat 3/8 SAE	3
9	21.0148	Pump, Hyd. Danfoss 20cc	1
10	99.B0118	Washer, Fender 5/16 X 1-1/4	1
11	99.M0014	Bolt, M8 x 1.25 x 16mm	1
12	05.0197	Washer, Nylon .812 ID x 1.25 OD x .080	1
13	85.B0027	Bushing, 1/2 ID X 5/8 OD X 5/8	2
14	90.0830	Bolt, Hex 1/2-13 UNC x 3-3/4	1
15	42.0604	Rod, Thread 3/8-24 X 11.50" RH/LH ZP.	1
16	99.E0083	Nut, Jam 3/8-24 SAE LH ZP	1
17	93.06	Nut, Hex 3/8-24 UNF.	2
18	90.0612	Bolt, 3/8-16 USS x 1-1/2	2
19	90.0514	Bolt, Hex 5/16-18 UNC x 1-3/4"	1
20	90.0512	Bolt, 5/16-18 USS x 1-1/2"	1
21	97.0510	Bolt, Carriage 5/16 x 1-1/4	4
22	99.K0123	Bolt, SHCS 5/16-18 x 2 Grade 8	1
23	99.A05	Locknut, Stover 5/16-18 USS	1
24	90.0530-2	Bolt, 5/16-18 x 3-3/4 Tap.	1
25	42.0603	Rod, Thread 3/8-24 X 8" RH/LH	1
26	99.E0107	Locknut, 3/8-24 LH ZP.	1
27	99.E0114	Nut, 3/8-24 LH ZP	1
28	44.0161	Link, Tubber for Shift Linkage	1
29	64.0763	Clamp, Rubber Connector	2
30	KN-1012	Bracket, Pump Control Link Long	1
31	99.A06NFN	Locknut, Nylon 3/8-24 SAE ZP	1
32	KN-6006	Arm, SDLA Rocker	1
33	43.006L	Rod End, 3/8 Spherical, LH Thrd	1
34	47.0316	Damper, 3.187 Stroke Gas Shock	1
35	KN-6005	Arm, SDLA Pivot	1
36	43.006	Rod End, 3/8 Spherical, Female	1
37	KN-6004	Bracket, Pump Input	1
38	43.006S	Rod End, 3/8 Spherical W/ Stud	1

# CONTROLS & LINKAGE

## ILLUSTRATED DRAWING Neutral Assist Lever & Neutral Switch



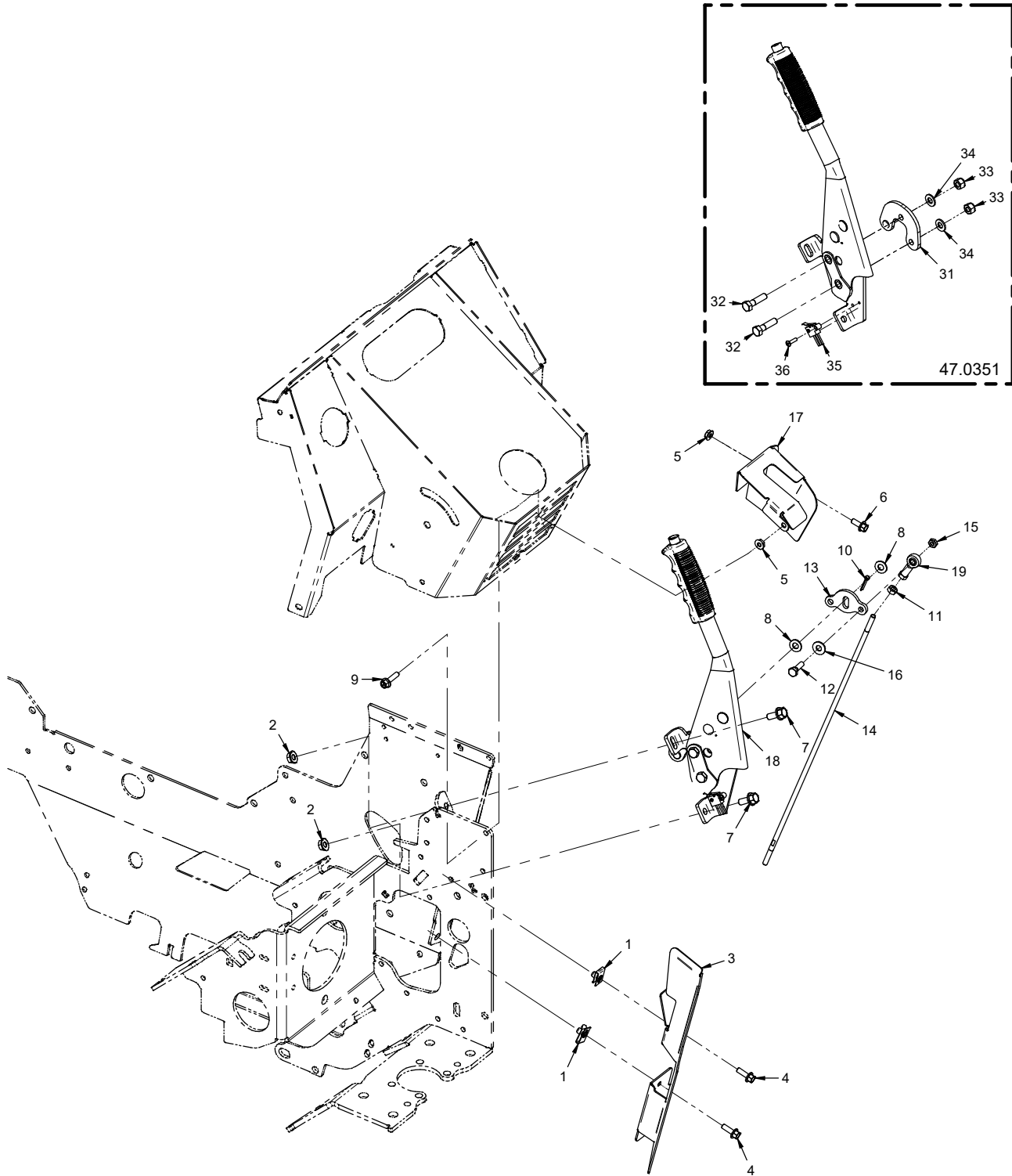
# CONTROLS & LINKAGE

## Neutral Assist Lever & Neutral Switch

REF.	PART NO.	DESCRIPTION	QTY.
1	06.0044	Cap, Plastic 1/8 x 1/2 x 7/8	1
2	99.SF05	Nut, SRF 5/16-18 USS	4
3	99.SF0405-1	Bolt, SMF 1/4-20 X 5/8	2
4	95.05	Washer, Flat 5/16 SAE	5
5	99.SF06	Nut, SRF 3/8-16 USS	2
6	99.E0101	Nut, Locking Flange 1/4-20	2
7	41.0039	Spring, Comp. 9/16 OD X 5/8	1
8	95.06	Washer, Flat 3/8 SAE	4
9	90.0614	Bolt, 3/8-16 USS x 1-3/4	1
10	02.CP0406	Cotter Pin, 1/8 X 3/4, Zinc	1
11	99.E0100	Nut, Acorn 3/8-16	1
12	85.B0068	Bushing, 3/8 X 1/2 OD X 1/2 LG	2
13	94.06	Washer, Flat 3/8 USS	2
14	90.0624	Bolt, 3/8-16 USS x 3	1
15	99.E0037	Nut, Jam 3/8-16 USS	1
16	94.05	Washer, Flat 5/16 USS	1
17	90.0508	Bolt, 5/16-18 USS x 1	1
18	55.0022	Bearing, Ball .315 ID X .8661 OD	1
19	96.05	Washer, Lock 5/16	2
20	41.0105	Spring, Torsion LH .83"ID SS	1
21	99.E0109	Nut, Jam 5/16-18 Nylon Lock	1
22	64.1652	Bracket, Neutral Switch Mount	1
23	31.0058-2	Switch, Micro Neutral	1
24	40.0374	Lever, Neutral Assist	1
25	41.0106	Spring, Ext 3/4 OD X 4 LG	1
26	42.0556	Link, Neutral Assist	1
27	64.1626	Rocker, Park Brake Tensioner	1
28	99.SF0510-1	Bolt, SMF 5/16-18 USS X 1-1/4	2
29	99.K0133	Machine Screw, #8-32 X 5/8	1
30	99.E0104	Nut, Jam #8-32 Nylon Lock	1
31	64.1628	Rocker, Neutral Assist	1

# CONTROLS & LINKAGE

## ILLUSTRATED DRAWING Parking Brake Handle, Brake Rod, & Shields



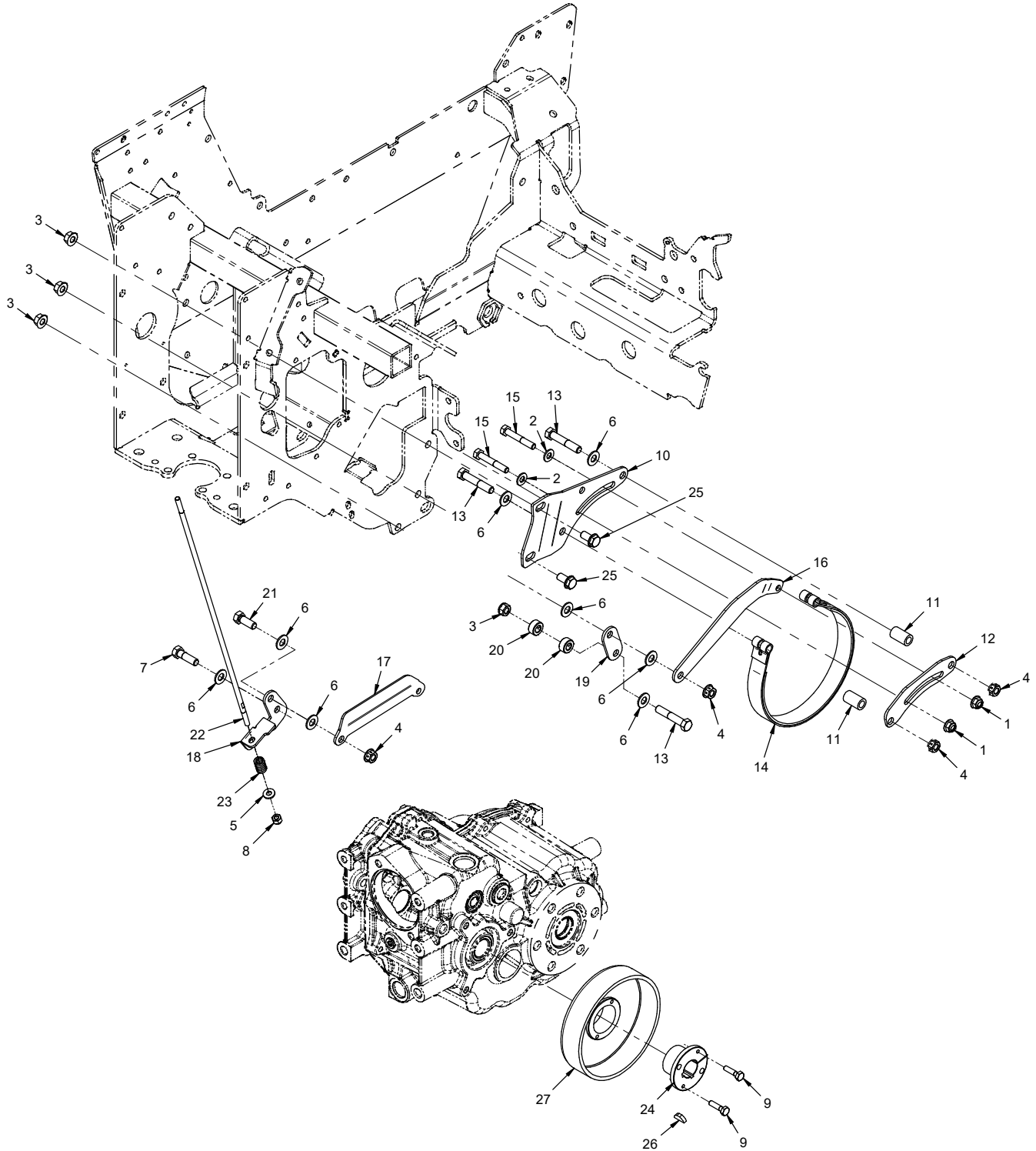
# CONTROLS & LINKAGE

## Parking Brake Handle, Brake Rod, & Shields

REF.	PART NO.	DESCRIPTION	QTY.
1	99.E0046	Nut, "U" 1/4-20 Extruded	2
2	99.SF05	Nut, SRF 5/16-18 USS	2
3	60.1151	Cover, Pump Access Right	1
4	99.SF0406-1	Bolt, SMF 1/4-20 X 3/4	2
5	99.SF04	Nut, SRF 1/4-20 USS	3
6	99.SF0405-1	Bolt, SMF 1/4-20 X 5/8	1
7	99.SF0506-1	Bolt, SMF 5/16-18 USS x 3/4	2
8	95.05	Washer, Flat 5/16 SAE	2
9	99.SF0408-1	Bolt, SMF 1/4-20 x 1	1
10	02.CP0406	Cotter Pin, 1/8 X 3/4, Zinc	1
11	99.E0081	Nut, 1/4-28 LH Grade 8 YZ	1
12	90.0408	Bolt, 1/4-20 USS x 1	1
13	64.1626	Rocker, Park Brake Tensioner	1
14	42.0551	Rod, Thread 1/4-28 x 20" RH/LH	1
15	99.A04	Locknut, Stover 1/4-20 USS	1
16	94.04	Washer, Flat 1/4 USS	1
17	60.1142	Cover, Parking Brake	1
18	47.0351	Lever, Parking Brake	1
19	43.004L	Rod End, 1/4 Spherical LH	1
31	64.1633	Mount, Park Brake Rocker	1
32	91.0510	Bolt, Hex 5/16-24 UNF x 1-1/4	2
33	99.A05NFN	Locknut, Nylon 5/16-24 SAE ZP	2
34	95.05	Washer, Flat 5/16 SAE	2
35	31.0058-1	Switch, Micro Parking Brake	1
36	99.M0033	Machine Screw, M4-0.7 x 14MM	1

# CONTROLS & LINKAGE

## ILLUSTRATED DRAWING Parking Brake Linkage & Brake Drum





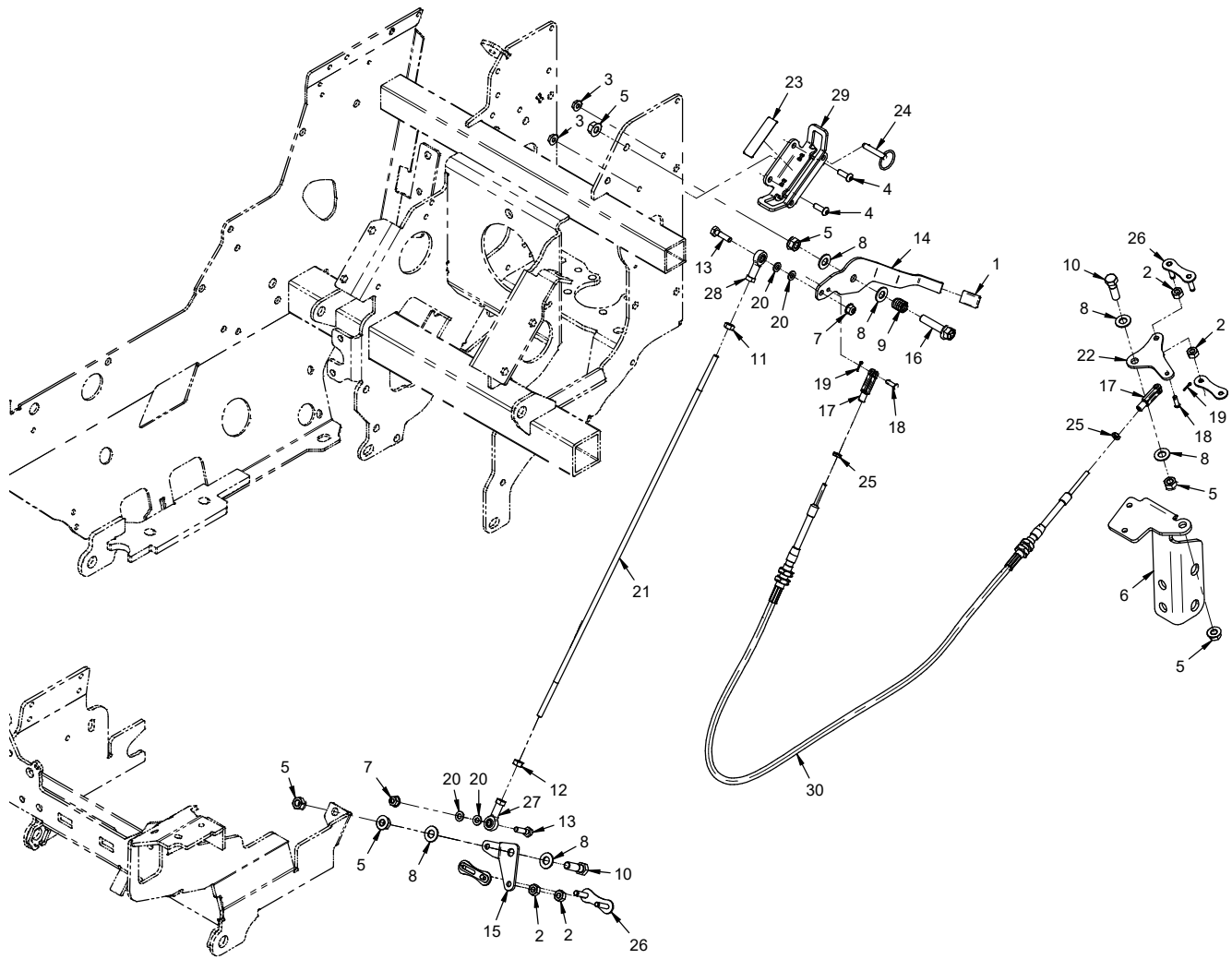
# CONTROLS & LINKAGE

## Parking Brake Linkage & Brake Drum

REF.	PART NO.	DESCRIPTION	QTY.
1	99.E0102	Nut, Locking Flange 5/16-18	2
2	95.05	Washer, Flat 5/16 SAE	2
3	99.SF06	Nut, SRF 3/8-16 USS	4
4	99.E0082	Nut, Locking Flange 3/8-16	4
5	95.04	Washer, Flat 1/4 SAE	1
6	95.06	Washer, Flat 3/8 SAE	8
7	90.0610	Bolt, 3/8-16 USS x 1-1/4	1
8	99.A04NFN	Locknut, Nylon 1/4-28	1
9	90.0408	Bolt, 1/4-20 USS x 1	2
10	64.1614	Plate, Brake Anchor Inner	1
11	64.0718	Spacer, Brake	2
12	64.0920	Plate, Park Bk Mount Alignment	1
13	90.0616	Bolt, 3/8-16 USS x 2	3
14	53.0076	Band, Brake for 6" Drum	1
15	90.0516	Bolt, 5/16-18 USS x 2	2
16	42.0441	Link, Park BK Pull	1
17	42.0442	Link, Park BK Push	1
18	64.1603	Rocker, Park Brake	1
19	42.0443	Link, Park BK Torque	1
20	85.SC06	Set Collar, 3/8"	2
21	90.0608	Bolt, 3/8-16 USS x 1	1
22	42.0551	Rod, Thread 1/4-28 x 20" RH/LH	1
23	41.0108	Spring, Comp. .531 OD X .780 LG	1
24	83.H16S-2	Bushing, 1" Split 3/16 * & 1/4 Key	1
25	99.SF0606	Bolt, SRF 3/8-16 USS x 3/4	2
26	85.W0306	Key, Woodruff 3/16 X 3/4	1
27	53.0134	Drum, 6" Brake - W/Taper Hub	1

# CONTROLS & LINKAGE

## ILLUSTRATED DRAWING High/Low Range Shift Linkage



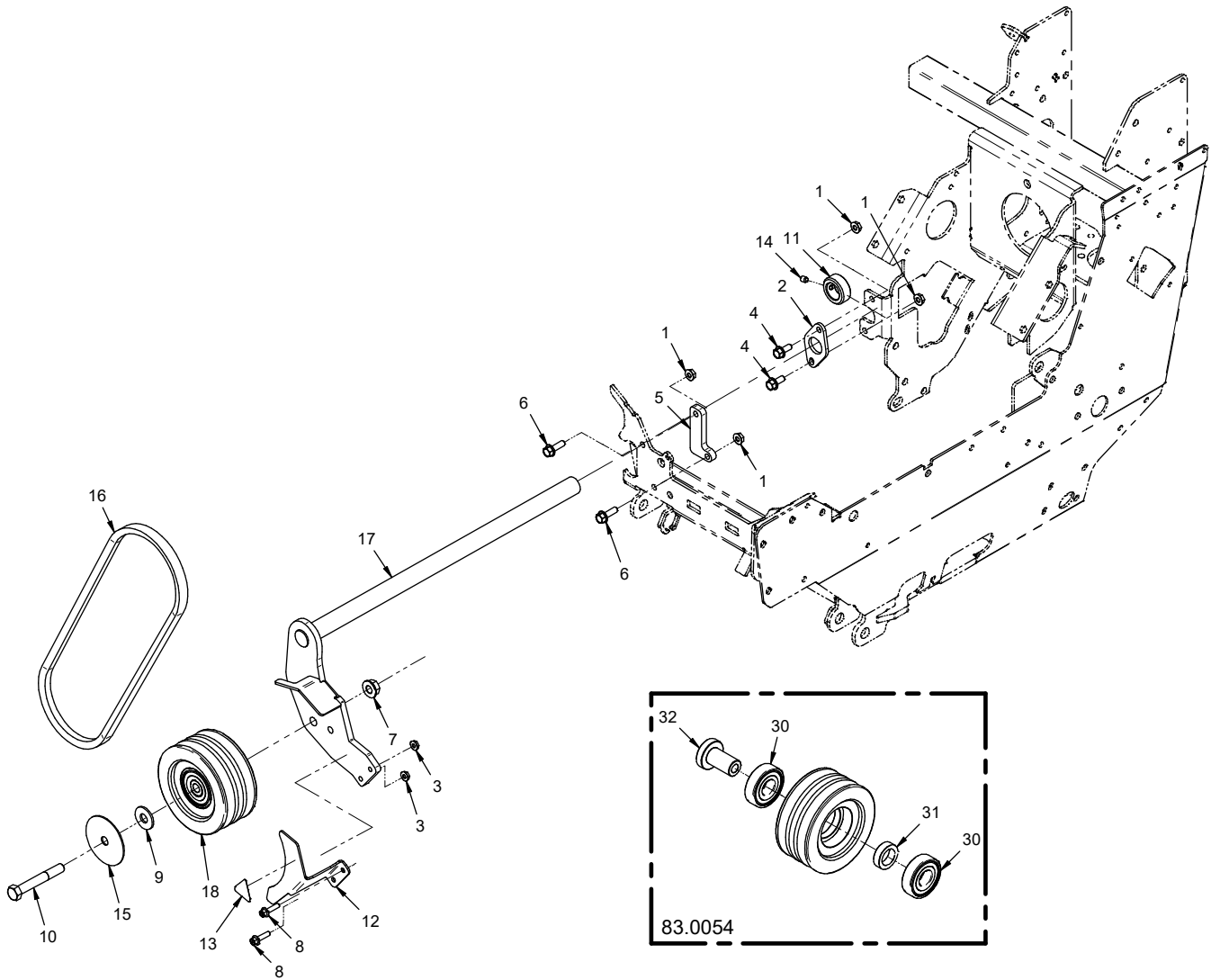
# CONTROLS & LINKAGE

## High/Low Range Shift Linkage

REF.	PART NO.	DESCRIPTION	QTY.
1	06.0044	.Cap, Plastic 1/8 x 1/2 x 7/8	1
2	92.05	.Nut, 5/16-18 USS	4
3	99.SF04	.Nut, SRF 1/4-20 USS	2
4	99.0406	.Bolt, 1/4-20 x 3/4 BSCS	2
5	99.SF06	.Nut, SRF 3/8-16 USS	6
6	KN-1032	.Bracket, Rear Hitch Mt Right	1
7	99.E0101	.Nut, Locking Flange 1/4-20	2
8	95.06	.Washer, Flat 3/8 SAE	6
9	41.0039	.Spring, Comp. 9/16 OD X 5/8	1
10	90.0610	.Bolt, 3/8-16 USS x 1-1/4	2
11	99.E0081	.Nut, 1/4-28 LH Grade 8 YZ	1
12	93.04	.Nut, 1/4-28 SAE	1
13	90.0408	.Bolt, 1/4-20 USS x 1	2
14	40.0379	.Lever, High/Low Shift	1
15	64.0703	.Plate, Front Shift Pivot	1
16	99.SF0614-1	.Bolt, SMF 3/8-16 X 1-3/4	1
17	43.C10-32-1	.Clevis End Kit, #10-32 3/16 Hole	2
18	03.0305	.Clevis Pin, 3/16 x 5/8 ZP	2
19	02.CP0204	.Cotter Pin, 1/16 X 1/2, Zinc	2
20	99.B0109	.Washer, 1/4ID, .50 OD x .062T	4
21	42.0561	.Rod, Thread 1/4-28x21.00 RH/LH	1
22	40.0373	.Arm, High/Low Shift Rocker	1
23	00.0313	.Decal, High/Low Range	1
24	03.0022	.Pin, Ball 1/4" x 1"	1
25	99.E0034	.Nut, #10-32	2
26	81.0124	.Link, Conn #60 Double Pitch	2
27	43.004	.Rod End, 1/4 Spherical	1
28	43.004L	.Rod End, 1/4 Spherical LH	1
29	64.1784	.Bracket, High/Low Shift Lock	1
30	47.0122	.Cable, Hi-Low Shift	1

# CONTROLS & LINKAGE

## ILLUSTRATED DRAWING PTO Idler Pulley & Idler Arm



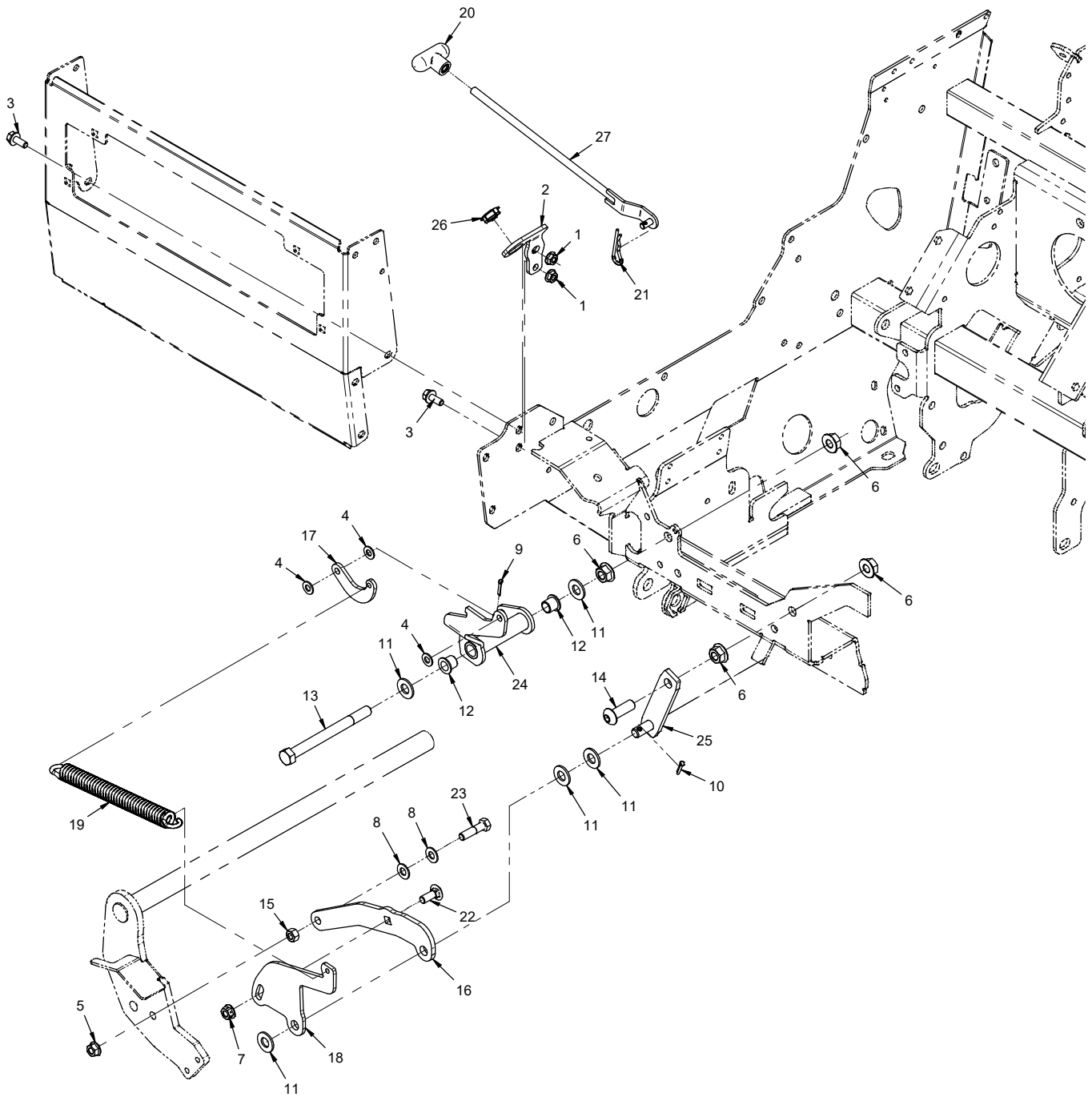
# CONTROLS & LINKAGE

## PTO Idler Pulley & Idler Arm

REF.	PART NO.	DESCRIPTION	QTY.
1	99.SF05	Nut, SRF 5/16-18 USS	4
2	64.1702	Plate, PTO Arm Hanger	1
3	99.SF04	Nut, SRF 1/4-20 USS	2
4	99.SF0506-1	Bolt, SMF 5/16-18 USS X 3/4	2
5	64.1699	Plate, PTO Wearbar	1
6	99.SF0508-1	Bolt, SMF 5/16-18 x 1	2
7	99.E0103	Nut, Locking Flange 1/2-13	1
8	99.SF0408-1	Bolt, SMF 1/4-20 x 1	2
9	94.08	Washer, Flat 1/2 USS	1
10	90.0828	Bolt, 1/2-13 USS x 3-1/2	1
11	85.SC16-1	Set Collar, 1.015"	1
12	60.1135	Guard, PTO Idler Pulley	1
13	00.0339	Decal, Moving Parts	1
14	85.SS18	Set Screw, 5/16-18 x 3/8	1
15	60.1279	Cover, Pulley	1
16	81.B038	Belt, B38	1
17	40.0378	Arm, PTO Idler	1
18	83.0054	Pulley, Idler 2 Groove Asm	1
30	55.0064	Bearing, Ball 25 MM x 62 MM	2
31	85.B0085	Bushing, Bearing Spacer	1
32	85.B0084	Bushing, Drive Pulley	1

# CONTROLS & LINKAGE

## ILLUSTRATED DRAWING PTO Belt Tension Linkage



# CONTROLS & LINKAGE

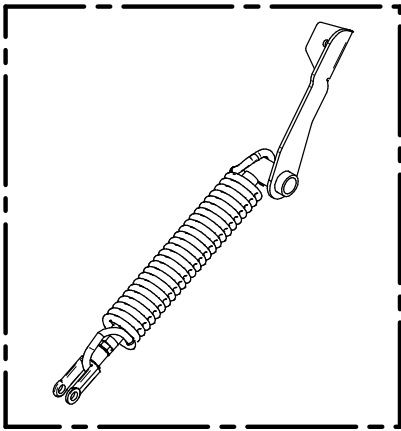
## PTO Belt Tension Linkage

REF.	PART NO.	DESCRIPTION	QTY.
1	99.SF05	Nut, SRF 5/16-18 USS	2
2	64.1616	Bracket, Belt Release Pivot	1
3	99.SF0506-1	Bolt, SMF 5/16-18 USS X 3/4	2
4	95.05	Washer, Flat 5/16 SAE	3
5	99.SF06	Nut, SRF 3/8-16 USS	1
6	99.SF08	Nut, SRF 1/2-13 USS	4
7	99.E0082	Nut, Locking Flange 3/8-16	1
8	95.06	Washer, Flat 3/8 SAE	2
9	02.CP0406	Cotter Pin, 1/8 X 3/4, Zinc	1
10	02.CP0506	Cotter Pin, 5/32 X 3/4, Zinc	1
11	95.08	Washer, Flat 1/2 SAE	5
12	85.B0027	Bushing, 1/2 ID X 5/8 OD X 5/8	2
13	90.0844	Bolt, 1/2-13 USS x 5-1/2	1
14	99.0812	Bolt, 1/2-13 x 1-1/2 BSCS	1
15	92.06	Nut, 3/8-16 USS	1
16	42.0584	Link, PTO Idler Push Arm	1
17	42.0557	Link, PTO Belt Tensioner	1
18	42.0559	Link, PTO Tensioner Adjuster	1
19	41.0056	Spring, Ext 7/8 OD x 8-1/2 Lng	1
20	47.0330	Knob, Bar 2-1/4 x 3/8-16	1
21	02.HP0416	Hairpin, 1/8 X 2 ZP	1
22	97.0608	Bolt, Carriage 3/8-16 x 1	1
23	90.0612	Bolt, 3/8-16 USS x 1-1/2	1
24	64.1627	Rocker, PTO Idler Arm Tension	1
25	64.1610	Rocker, PTO Tensioner	1
26	55.0082	Bearing, Spherical 10MM ID	1
27	42.0554	Rod, PTO Belt Tensioner	1

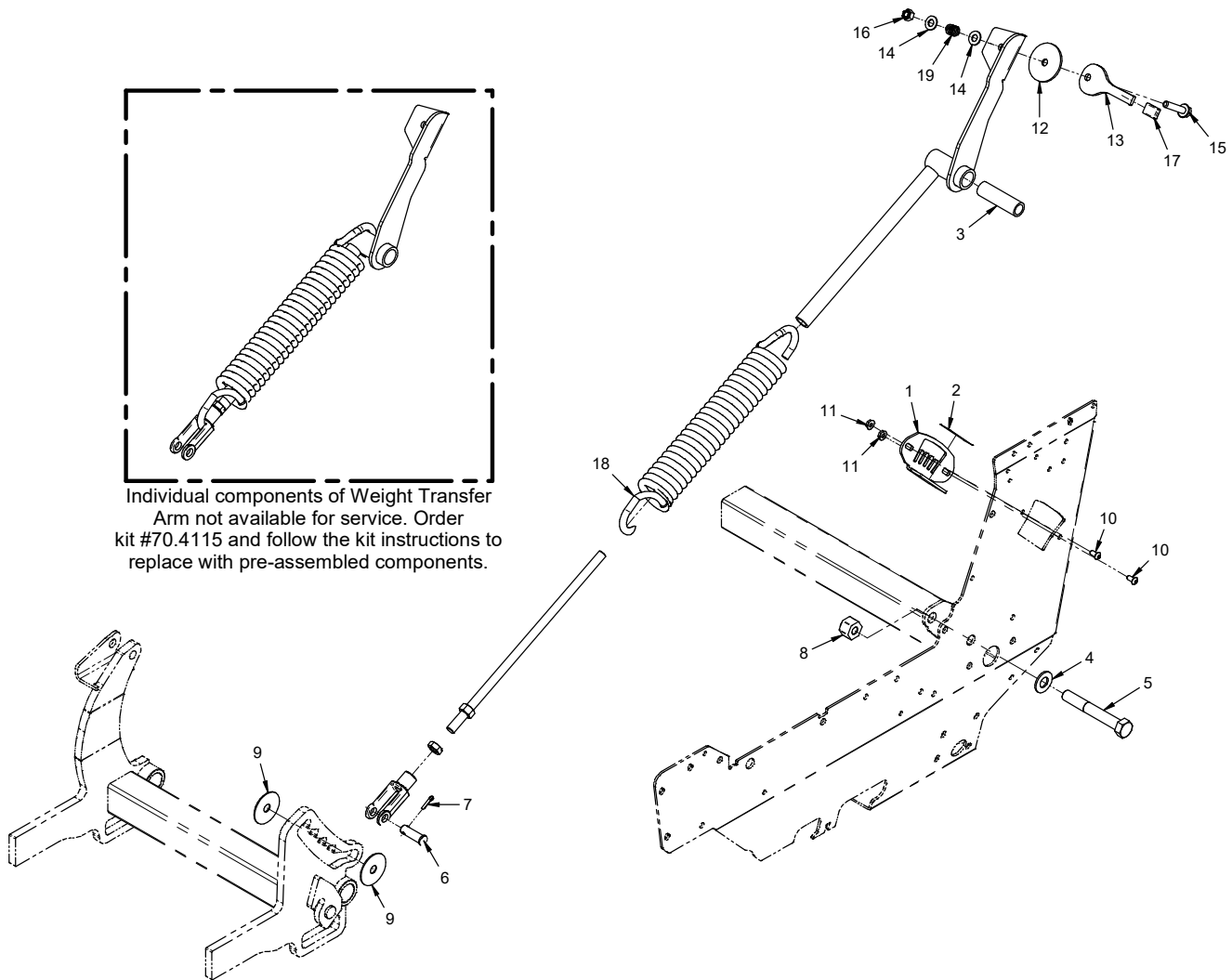
# CONTROLS & LINKAGE

## ILLUSTRATED DRAWING

### Weight Transfer



Individual components of Weight Transfer Arm not available for service. Order kit #70.4115 and follow the kit instructions to replace with pre-assembled components.





# CONTROLS & LINKAGE

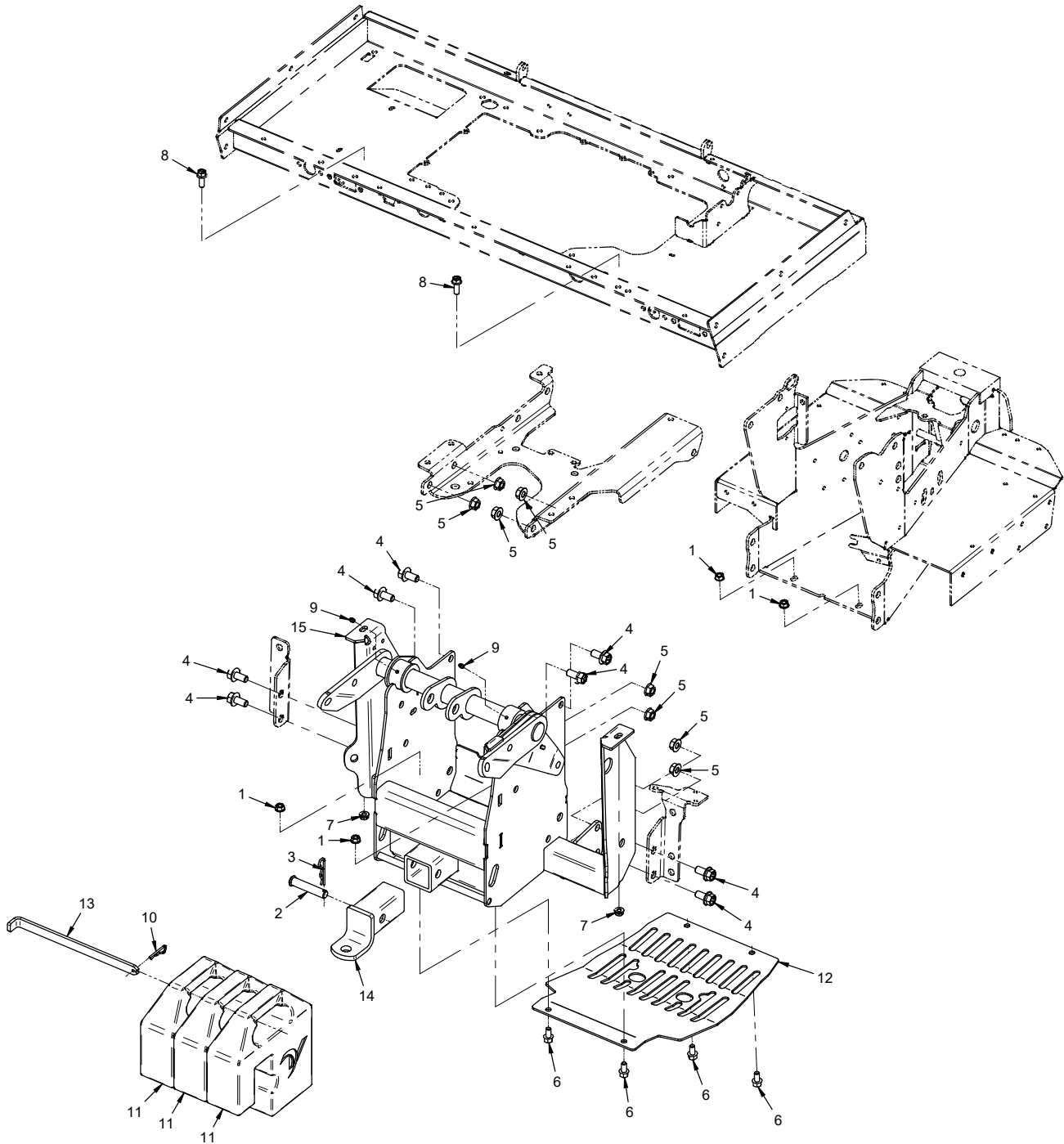
## Weight Transfer

REF.	PART NO.	DESCRIPTION	QTY.
1	42.0555	Rod, Weight Transfer Adjuster	1
2	40.0380	Arm, Weight Transfer	1
3	99.E0079	Nut, Jam 1/2-20 RH ZP	1
4	43.C08-1R-B	Clevis End, 1/2-20 RH Mod.	1
5	64.1619	Bracket, Wt. Transfer Selector	1
6	00.0314	Decal, Weight Transfer	1
7	64.1612	Bushing, Pivot Weight Transfer	1
8	95.10	Washer, Flat 5/8 SAE	1
9	90.1036	Bolt, 5/8-11 UNC x 4-1/2	1
10	03.0812	Clevis Pin, 1/2 X 1-1/2	1
11	02.CP0506	Cotter Pin, 5/32 X 3/4, Zinc	1
12	99.E0095	Locknut, 5/8-11 Heavy Nylon	1
13	99.B0099	Washer, Fender 1/2" x 2" OD ZP	2
14	99.0404	Bolt, 1/4-20 x 1/2 BSCS	2
15	99.SF04	Nut, SRF 1/4-20 USS	2
16	05.0002	Washer, Fric. 2-1/4 X 13/32	1
17	40.0381	Lever, Weight Transfer Select	1
18	95.06	Washer, Flat 3/8 SAE	2
19	99.SF0614-1	Bolt, SMF 3/8-16 X 1-3/4	1
20	99.A06N	Locknut, Nylon 3/8-16	1
21	06.0044	Cap, Plastic 1/8 x 1/2 x 7/8	1
22	70.4115*	Kit, Weight Transfer 4500	1

\*Individual components of Weight Transfer Arm not available for service. Order kit # 70.4115 and follow the kit instructions to replace with pre-assembled components.

# OPTIONS

## ILLUSTRATED DRAWING 3 Point Hitch Frame (Kit #70.4160)



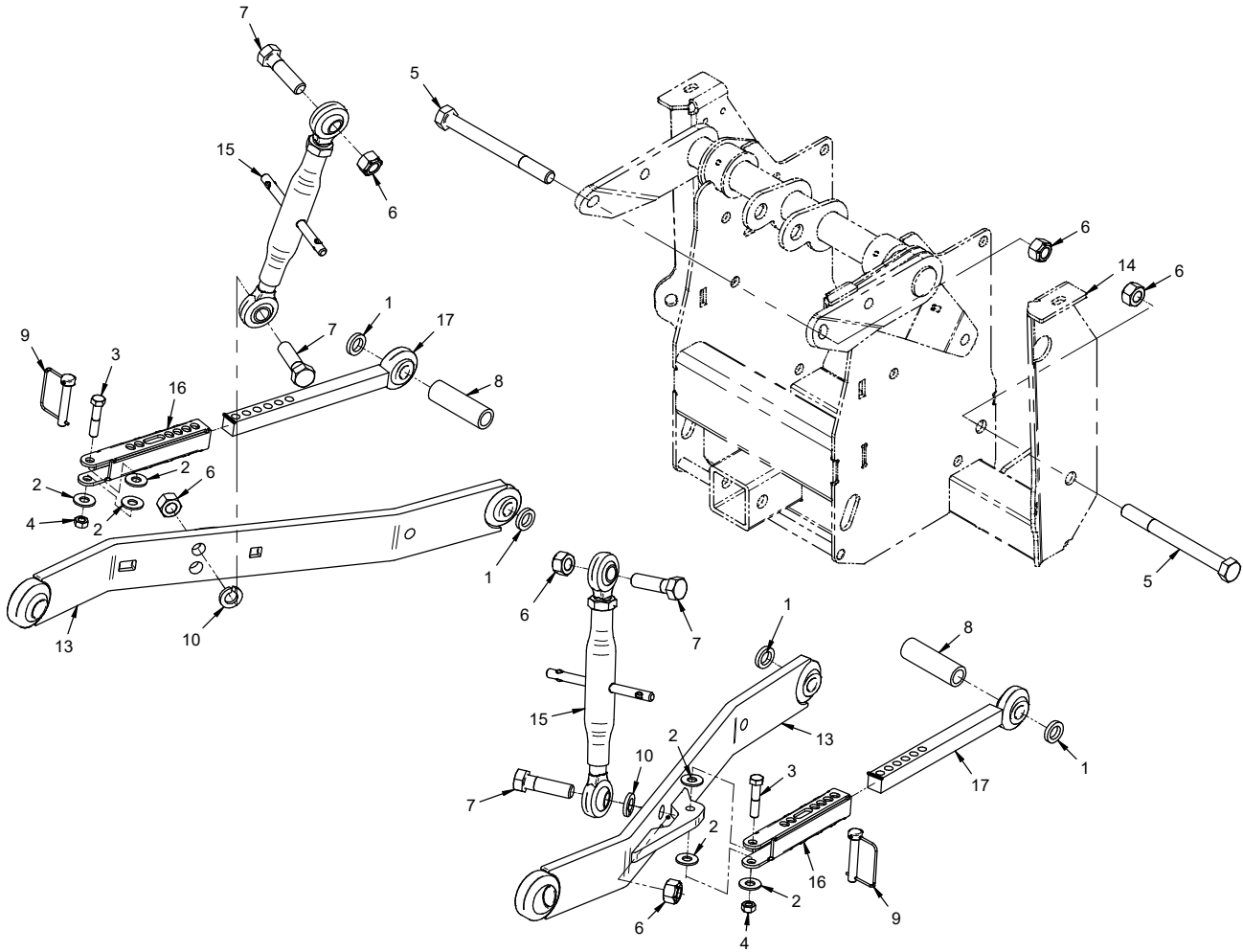
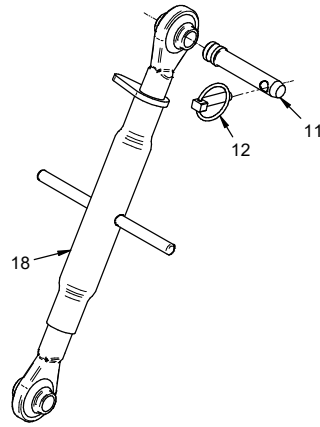
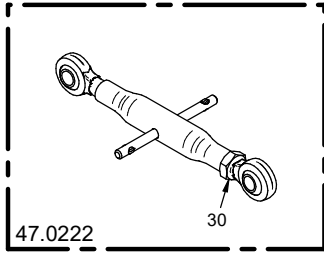
# OPTIONS

## 3 Point Hitch Frame (Kit #70.4160)

REF.	PART NO.	DESCRIPTION	QTY.
1	99.SF06	Nut, SRF 3/8-16 USS	4
2	03.1024	Clevis Pin, 5/8 x 3 Oal ZP	1
3	02.HP0420	Hairpin, 1/8 x 2 9/16 ZP	1
4	99.SF0808-1	Bolt, SMF 1/2-13 x 1	8
5	99.SF08	Nut, SRF 1/2-13 USS	8
6	99.SF0606-1	Bolt, SMF 3/8-16 USS x 3/4	4
7	99.E0082	Nut, Locking Flange 3/8-16	2
8	99.SF0608-1	Bolt, SMF 3/8-16 x 1	2
9	29.GF0001	Grease Ftg, 1/4 SAE ST	2
10	02.HP0416	Hairpin, 1/8 X 2 ZP	1
11	47.0115-1	Weight, Suitcase - 42 LBS	3
12	64.1868	Plate, Rear Axle Skid w/3PT	1
13	64.1312	Pin, Weight Retainer	1
14	62.0968	Hitch, Rear	1
15	62.1365	Frame, Main 3-Point Hitch	1

# OPTIONS

## ILLUSTRATED DRAWING 3 Point Hitch Arms (Kit #70.4160)



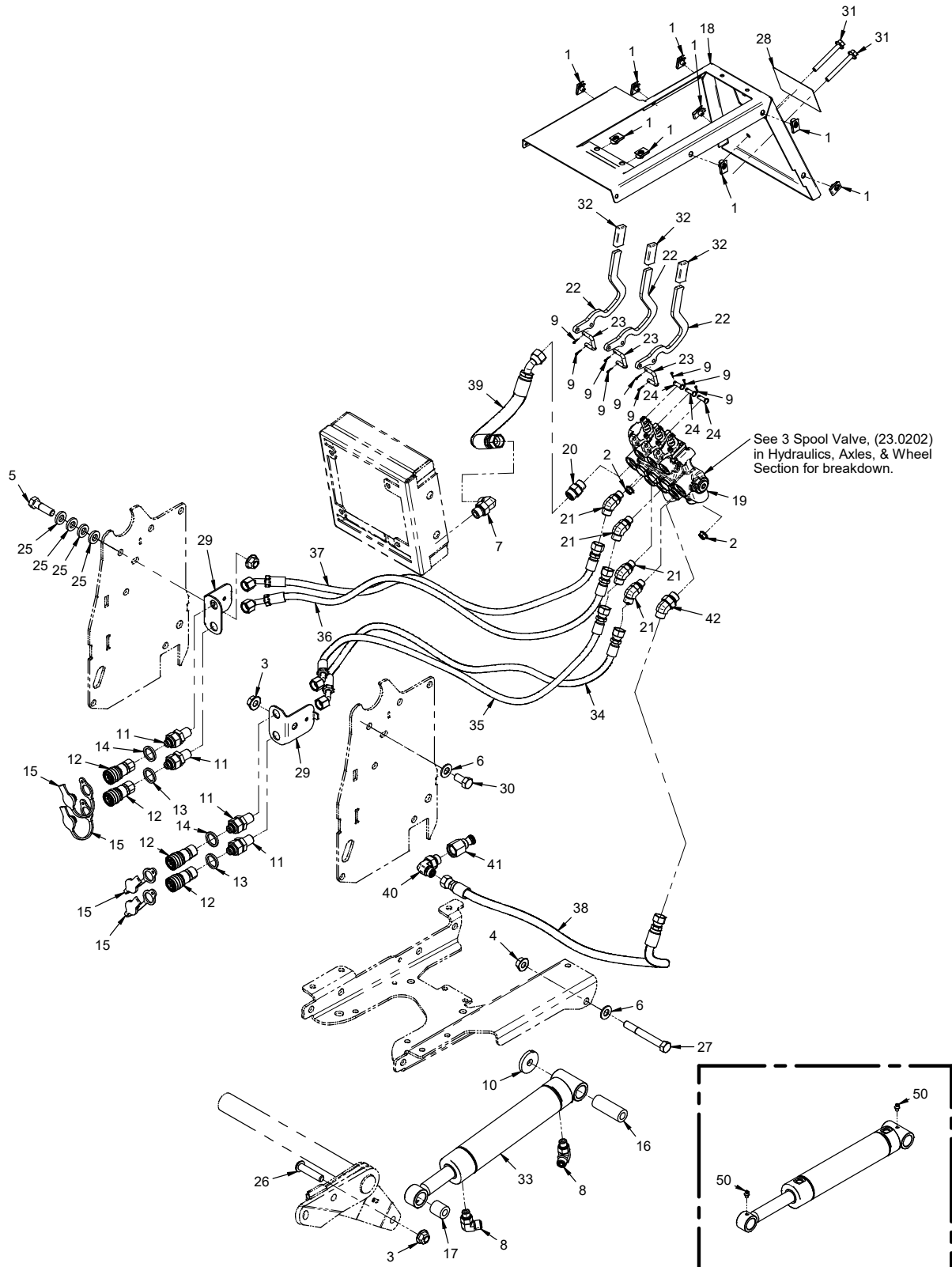
# OPTIONS

## 3 Point Hitch Arms (Kit #70.4160)

REF.	PART NO.	DESCRIPTION	QTY.
1	99.B0061	Washer, 3/16 X 21/32 X 1 1/32	4
2	95.06	Washer, Flat 3/8 SAE	6
3	90.0614	Bolt, 3/8-16 USS x 1-3/4	2
4	99.A06	Locknut, Stover 3/8-16 USS	2
5	90.1052	Bolt, 5/8-11 UNC x 6-1/2	2
6	99.A10	Locknut, Stover 5/8-11 USS	6
7	90.1016	Bolt, 5/8-11 USS x 2	4
8	64.1247	Bushing, Hitch Arm Spacer	2
9	03.0001	Pin, Safety Snap 3/8 X 1-3/4"	1
10	03.0015	Pin, Safety Snap 3/8 X 3"	1
11	96.10	Washer, Lock 5/8	2
12	03.0004	Pin, Top Link Category 1	1
13	03.0005	Pin, Linch	1
14	40.0365	Arm, Universal Lift	2
15	62.1365	Frame, Main 3-Point Hitch	1
16	47.0222	Top Link, Cat. #0, Adjustable	2
17	42.0402	Link, Swaybar 3-Point Female	2
18	42.0403	Link, Swaybar 3-Pt Male	2
19	42.0406	Link, Top Cat #1 Complete	1
30	99.E0087	Nut, Jam 3/4-10 USS	1

# OPTIONS

## ILLUSTRATED DRAWING 3 Point Hitch Hydraulics (Kit #70.4160)



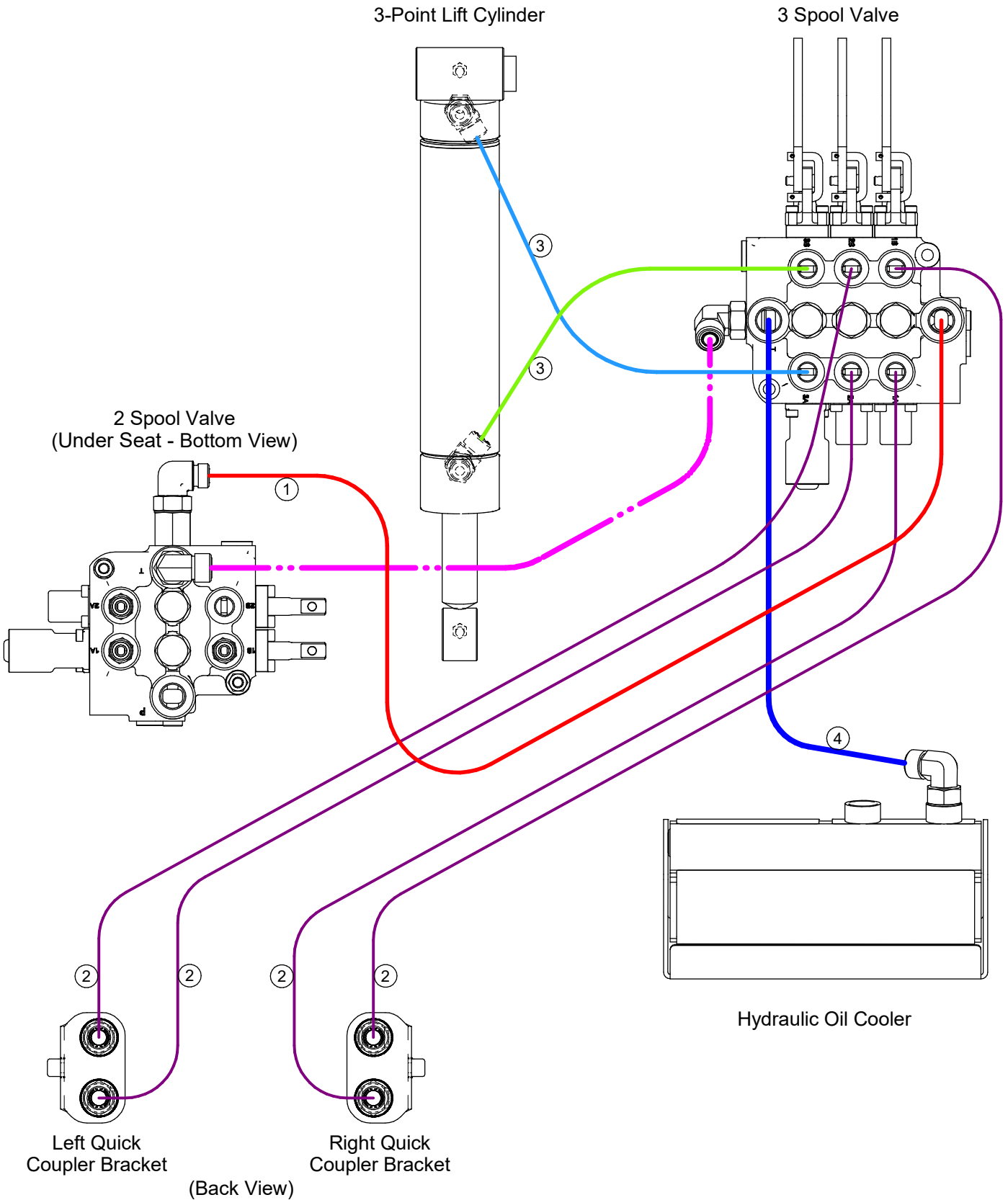
# OPTIONS

## 3 Point Hitch Hydraulics (Kit #70.4160)

REF.	PART NO.	DESCRIPTION	QTY.
1	99.E0046	.Nut, "U" 1/4-20 Extruded	9
2	99.SF05	.Nut, SRF 5/16-18 USS	2
3	99.E0103	.Nut, Locking Flange 1/2-13	3
4	99.SF08	.Nut, SRF 1/2-13 USS	1
5	90.0814	.Bolt, 1/2-13 USS x 1-3/4	1
6	95.08	.Washer, Flat 1/2 SAE	2
7	25.FF6801-08-08	.Fitting, 90 Elbow 8MFF x 8MB	1
8	25.FF6801-06-06	.Fitting, 90 Elbow - 6MFF X 6MB	2
9	02.CP0204	.Cotter Pin, 1/16 X 1/2, Zinc	9
10	99.B0064	.Washer, 1/4 x 1.75 x .531 Hole	1
11	25.FF2764-06-06-LN	.Fitting, Bulkhead Straight 3/8	4
12	23.0197	.Coupler, Hyd Quick Female 1/4 ORB	4
13	05.0190	.Washer, .905 ID x 1.170 x .140 Red	2
14	05.0191	.Washer, .905 ID x 1.170 x .140 Yellow	2
15	23.0126	.Plug, Dust for 23.0106	4
16	64.1722	.Bushing, Steel .563 X 1.000	1
17	64.0749	.Bushing, Steel 0.516 x 1.000	1
18	KN-1243	.Cover, Hydraulic Cooler Top Front	1
19	23.0202	.Valve, 3-Spool	1
20	25.FF6400-08-08	.Fitting, Connector 8MFF x 8MB	1
21	25.FF6802-06-08	.Fitting, 45 Elbow -06MF x -08MB	1
22	25.FF6802-06-06	.Fitting, 45 Elbow - 6Mff X 6Mb.	4
23	KN-1200	.Lever, KN 3PT Hyd Handle	3
24	KN-3010	.Link, Valve Handle "C"	3
25	03.0406	.Clevis Pin, 1/4 X 3/4	3
26	99.B0092	.Washer, 17/32ID X 1"OD X .165	4
27	99.0818	.Bolt, 1/2-13 x 2-1/4 BSCS	1
28	90.0832	.Bolt, 1/2-13 USS x 4	1
29	00.0686	.Decal, 3Pt Hitch	1
30	KN-1195	.Bracket, Hyd. Quick Coupler	2
31	90.0808	.Bolt, 1/2-13 USS x 1	1
32	99.SF0522-1	.Bolt, SMF 5/16-18 x 2-3/4	2
33	06.0058	.Cap, Plastic 1/4 x 5/8 x 1-1/2	3
34	23.0128	.Cylinder, 2" X 8" Lift	1
35	20.0399	.Hose, 1/4x33.00 SAE 100R17AR	1
36	20.0399	.Hose, 1/4x33.00 SAE 100R17AR	1
37	20.0399	.Hose, 1/4x33.00 SAE 100R17AR	1
38	20.0399	.Hose, 1/4x33.00 SAE 100R17AR	1
39	20.0393	.Hose, 3/8x33.00 SAE 100R17AR	1
40	22.0083	.Hose, 1/2x13.75 ASTM D380 / ASTM D6751	1
41	24.0021	.Fitting, Special Power Beyond - SAE08	1
42	25.FF6802-06-08	.Fitting, 45 Elbow -06MF x -08MB	1
50	29.GF0013	.Grease FTG, Adpt 1/4-28	2

# OPTIONS

## ILLUSTRATED DRAWING 3 Point Hitch Hydraulic Diagram (Kit #70.4160)





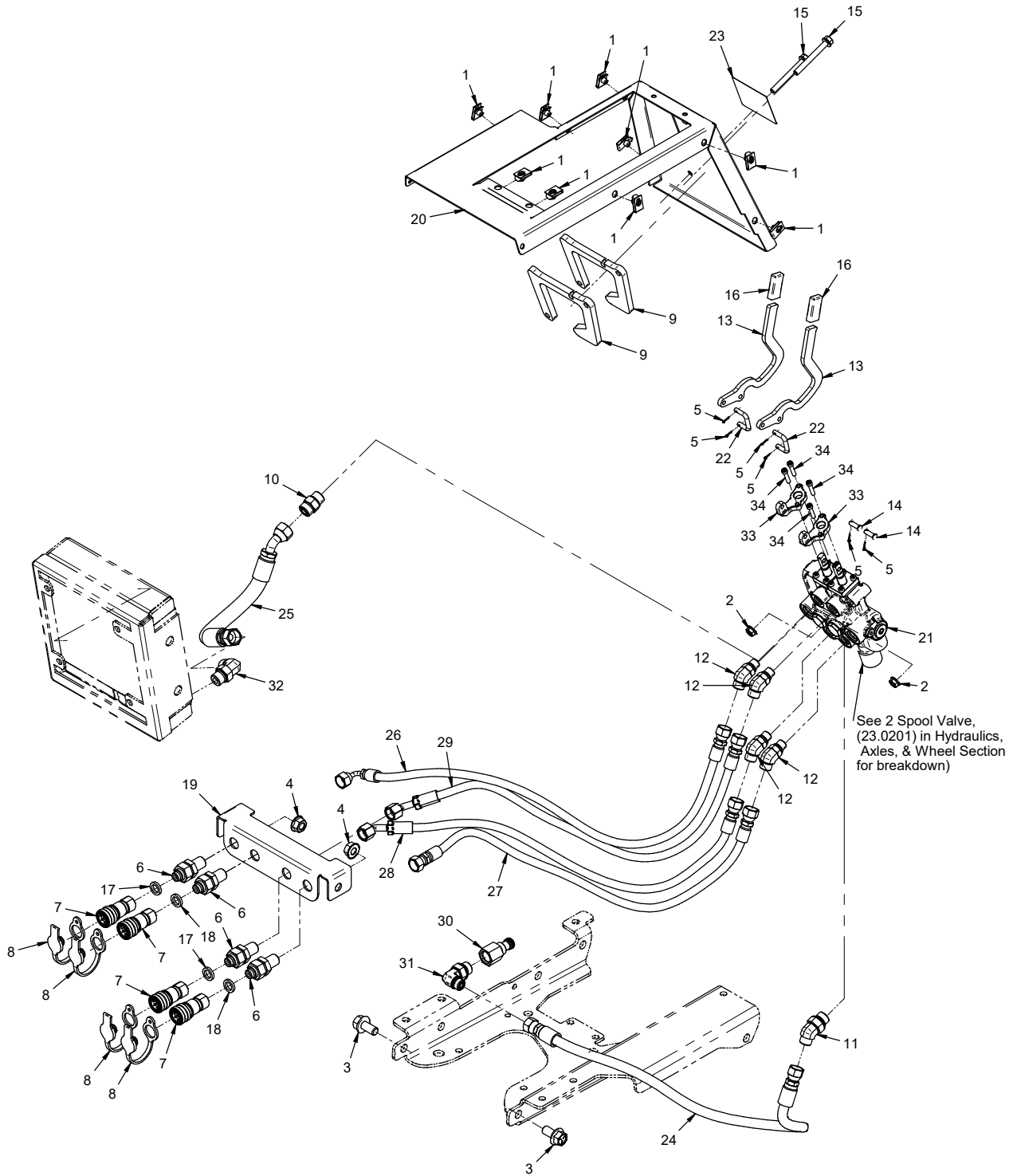
# OPTIONS

## 3 Point Hitch Hydraulic Diagram (Kit #70.4160)

REF.	PART NO.	DESCRIPTION	QTY.
1	20.0393	.Hose, 3/8x33.00 SAE 100R17AR.	1
2	20.0399	.Hose, 1/4x33.00 SAE 100R17AR.	4
3	20.0400	.Hose, 1/4x23.00 SAE 100R17AR.	2
4	22.0083	.Hose, 1/2x13.75 ASTM D380 / ASTM D6751.	1

# OPTIONS

## ILLUSTRATED DRAWING Rear Hydraulic Valve (Kit# 70.4165)



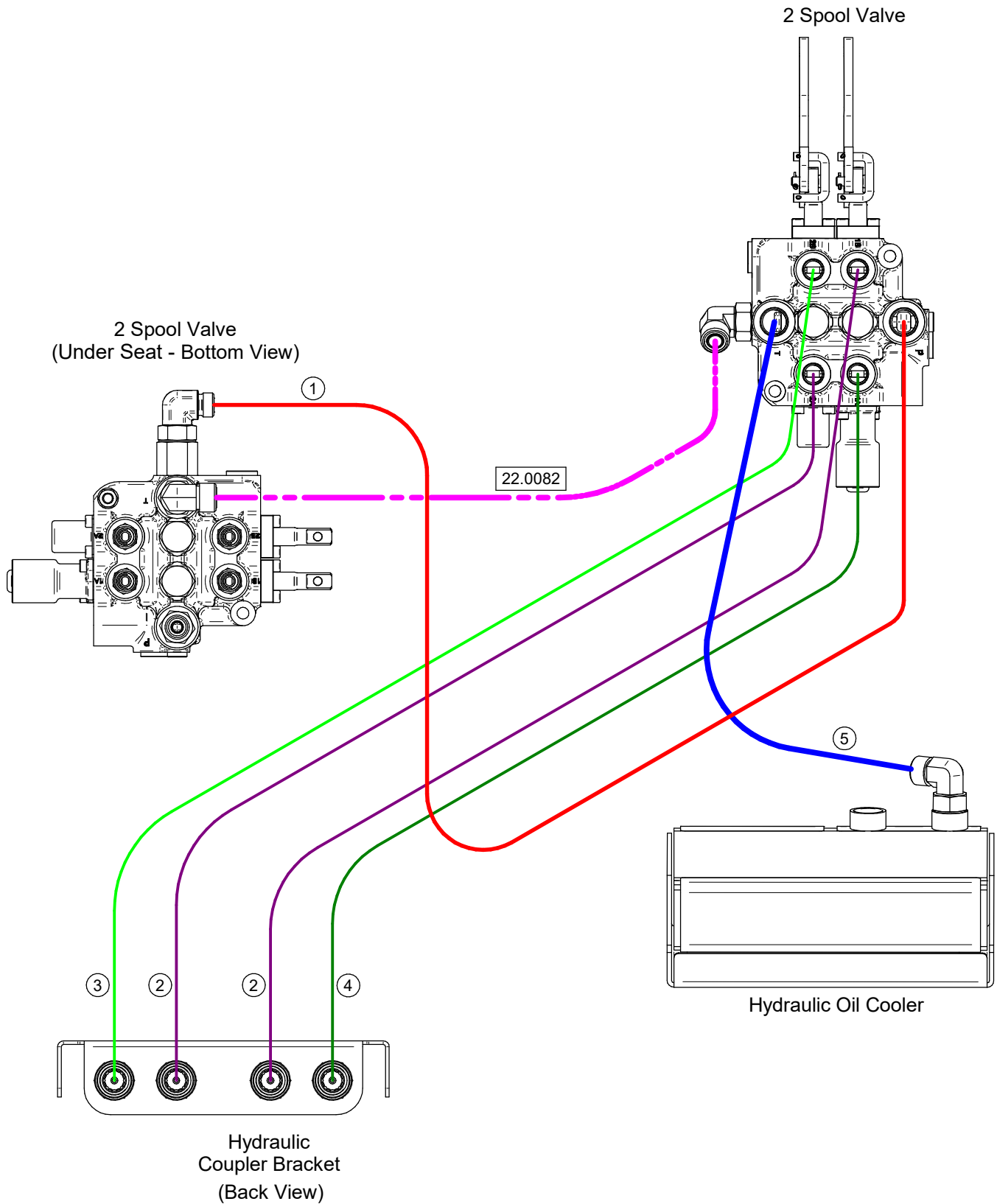
# OPTIONS

## Rear Hydraulic Valve (Kit# 70.4165)

REF.	PART NO.	DESCRIPTION	QTY.
1	99.E0046	.Nut, "U" 1/4-20 Extruded	9
2	99.SF05	.Nut, SRF 5/16-18 USS	2
3	99.SF0808-1	.Bolt, SMF 1/2-13 x 1	2
4	99.SF08	.Nut, SRF 1/2-13 USS	2
5	02.CP0204	.Cotter Pin, 1/16 X 1/2, Zinc	6
6	25.FF2764-06-06-LN	.Fitting, Bulkhead Straight 3/8	4
7	23.0197	.Coupler, Hyd Quick Female 1/4 ORB	4
8	23.0126	.Plug, Dust for 23.0106	4
9	KN-1202	.Plate, Valve Standoff	2
10	25.FF6400-08-08	.Fitting, Connector 8MFF x 8MB	1
11	25.FF6802-06-08	.Fitting, 45 Elbow -06MFF x -08MB	1
12	25.FF6802-06-06	.Fitting, 45 Elbow - 6Mff X 6Mb	4
13	KN-1200	.Lever, KN 3PT Hyd Handle	2
14	03.0406	.Clevis Pin, 1/4 X 3/4	2
15	99.SF0522-1	.Bolt, SMF 5/16-18 x 2-3/4	2
16	06.0058	.Cap, Plastic 1/4 x 5/8 x 1-1/2	2
17	05.0117	.Washer, .544 ID x .817 x .14 Yel	2
18	05.0116	.Washer, .544 ID x .817 x .14 Red	2
19	KN-1067	.Bracket, Hyd Coupler Rear 4	1
20	KN-1295	.Cover, Hydraulic Cooler Top Front	1
21	23.0201	.Valve, 2-Spool w/ Detent (See Hydraulics, Axles, & Wheels Section for breakdown)	1
22	23.0203	.Link, Valve Handle "C"	2
23	00.0669	.Decal, Rear Hyd Valve 4520	1
24	20.0393	.Hose, 3/8x33.00 SAE 100R17AR	1
25	22.0083	.Hose, 1/2x13.75 ASTM D380 / ASTM D6751	1
26	20.0415	.Hose, 1/4x28.00 SAE 100R17AR	1
27	20.0416	.Hose, 1/4x27.00 SAE 100R17AR	1
28	20.0399	.Hose, 1/4x33.00 SAE 100R17AR	1
29	20.0399	.Hose, 1/4x33.00 SAE 100R17AR	1
30	24.0021	.Fitting, Special Power Beyond - SAE08	1
31	25.FF6801-06-08	.Fitting, 90 Elbow 06MFF x 08MB	1
32	25.FF6801-08-08	.Fitting, 90 Elbow 8MFF x 8MB	1
33	23.0211	.BRACKET, HANDLE	2
34	99.M0074	.BOLT, M5X25MM SHCS	4

# OPTIONS

## ILLUSTRATED DRAWING Rear Hydraulic Valve Diagram (Kit# 70.4165)



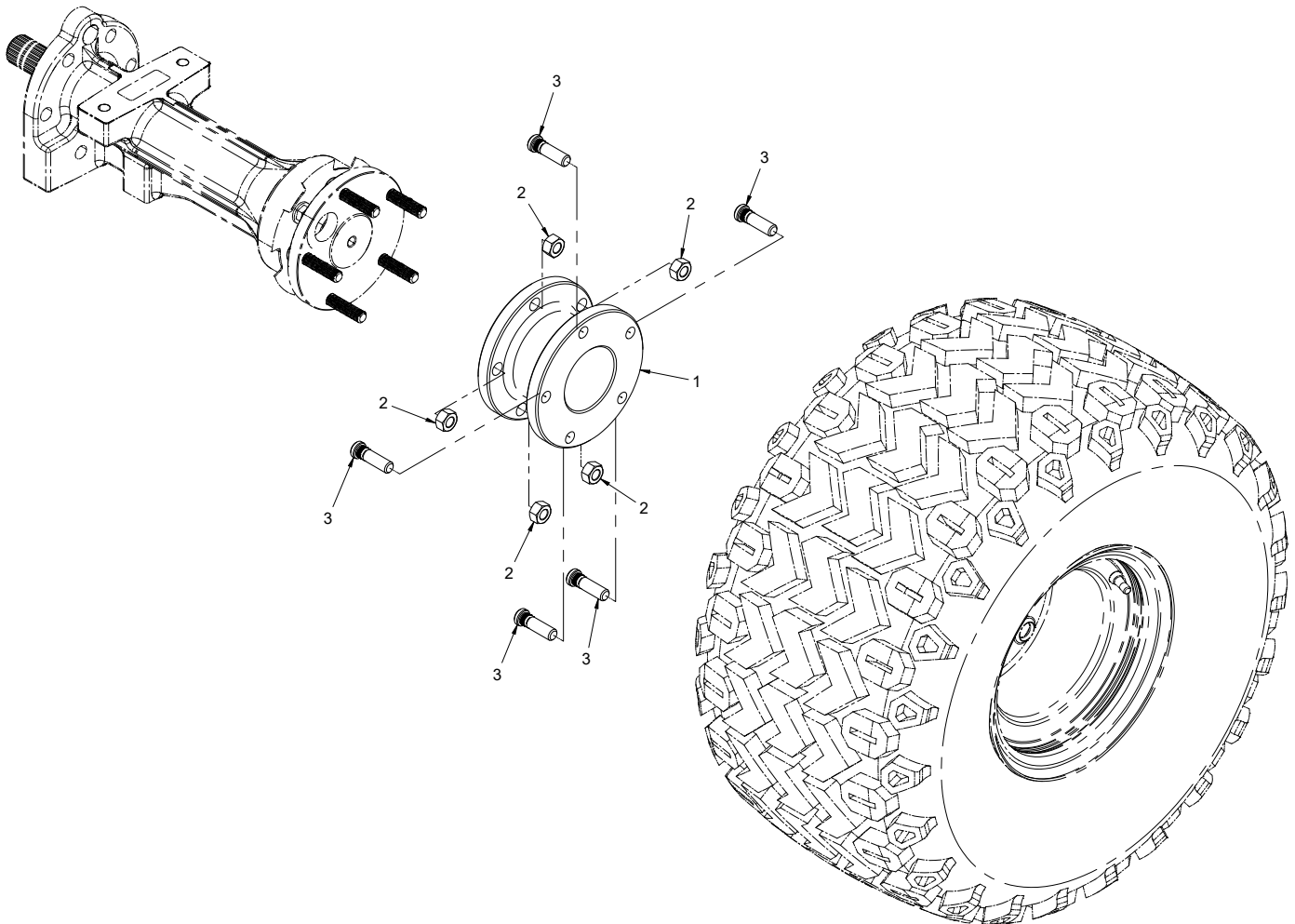
# OPTIONS

## Rear Hydraulic Valve Diagram (Kit# 70.4165)

REF.	PART NO.	DESCRIPTION	QTY.
1	20.0393	Hose, 3/8x33.00 SAE 100R17AR.	1
2	20.0399	Hose, 1/4x33.00 SAE 100R17AR.	2
3	20.0415	Hose, 1/4x28.00 SAE 100R17AR.	1
4	20.0416	Hose, 1/4x27.00 SAE 100R17AR.	1
5	22.0083	Hose, 1/2x13.75 ASTM D380 / ASTM D6751.	1

# OPTIONS

## ILLUSTRATED DRAWING 70.4098 Wheel Extension Kit



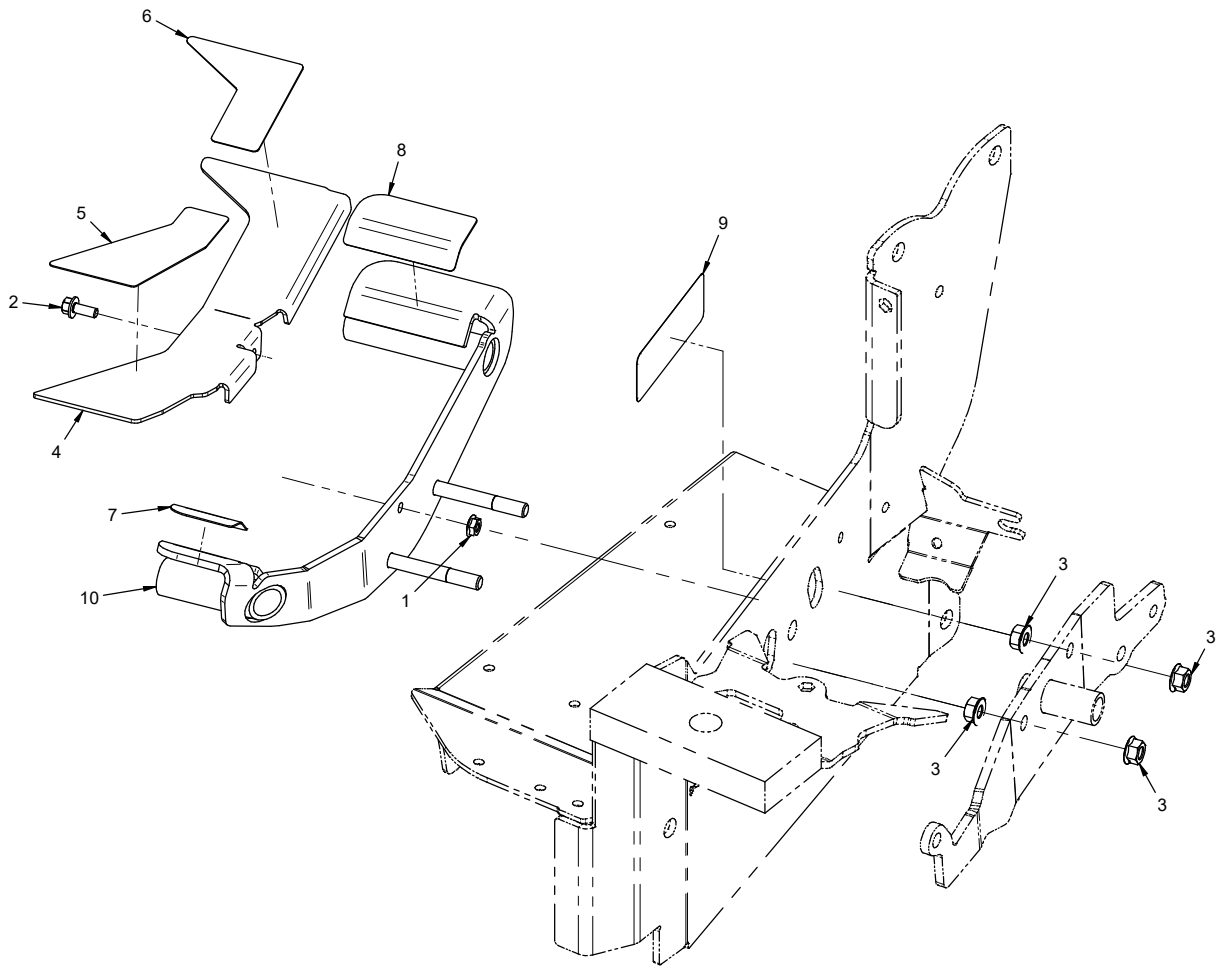
# OPTIONS

## 70.4098 Wheel Extension Kit

REF.	PART NO.	DESCRIPTION	QTY.
1	53.0144	Hub, 3" Wheel Extension	4
2	93.07	Nut, 7/16-20 SAE	20
3	99.K0120	Bolt, 7/16-20 x 1-1/2 Whl Stud.	20

# OPTIONS

## ILLUSTRATED DRAWING 70.4163 Foot Control Kit





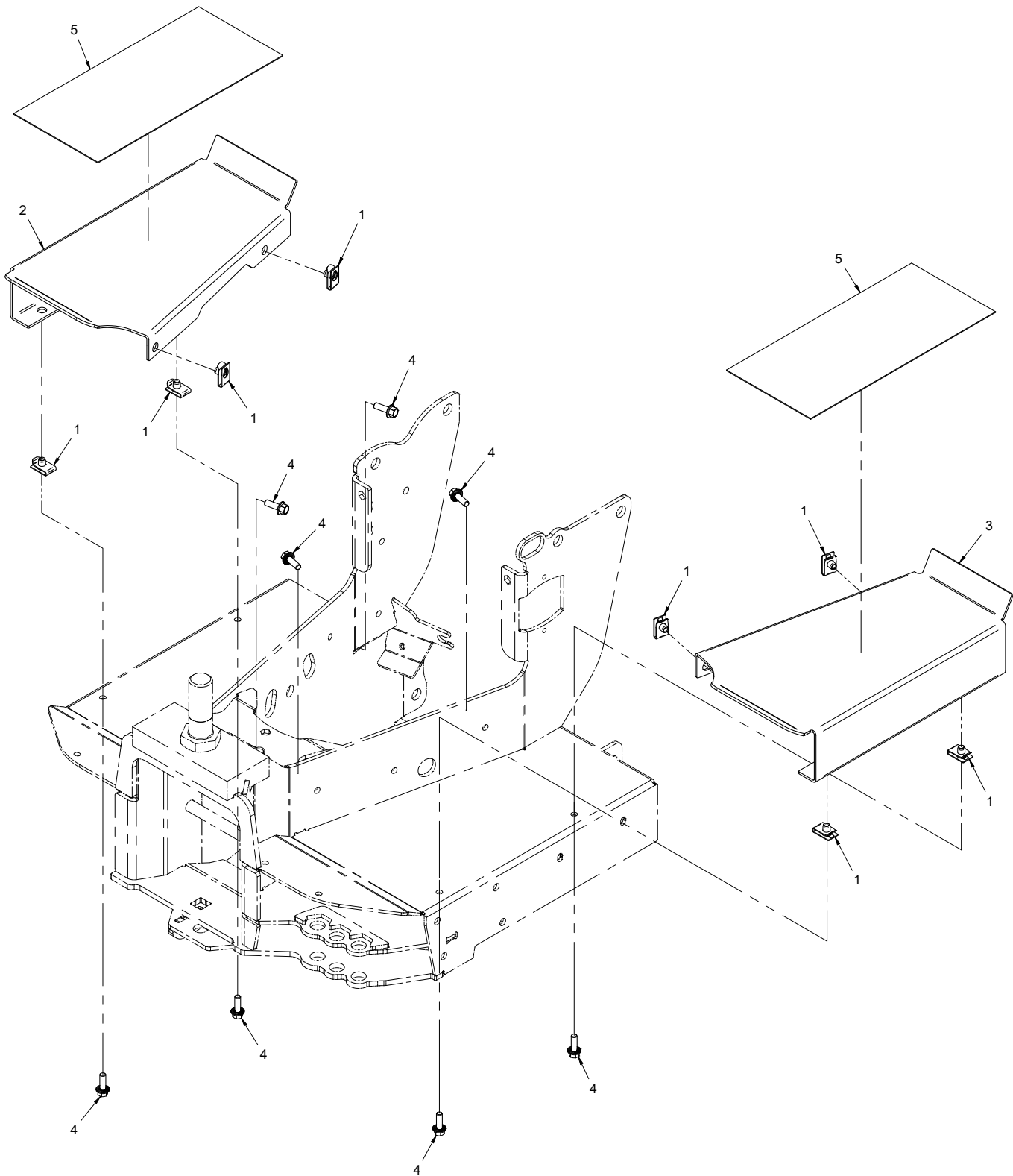
# OPTIONS

## 70.4163 Foot Control Kit

REF.	PART NO.	DESCRIPTION	QTY.
1	99.SF04	Nut, SRF 1/4-20 USS	1
2	99.SF0405-1	Bolt, SMF 1/4-20 X 5/8	1
3	99.SF06	Nut, SRF 3/8-16 USS	4
4	KN-1292	Plate, Foot Center 4520	1
5	KN-1327	Flex Tread, Foot Plate Front	1
6	KN-1328	Flex Tread, Foot Plate Rear	1
7	KN-1329	Flex Tread, Foot Pedal Front	1
8	KN-1330	Flex Tread, Foot Pedal Rear	1
9	00.0338	Decal, Foot Control	1
10	KN-6030	Pedal, Foot 4520	1

# OPTIONS

## ILLUSTRATED DRAWING 70.4108 Raised Platform Kit



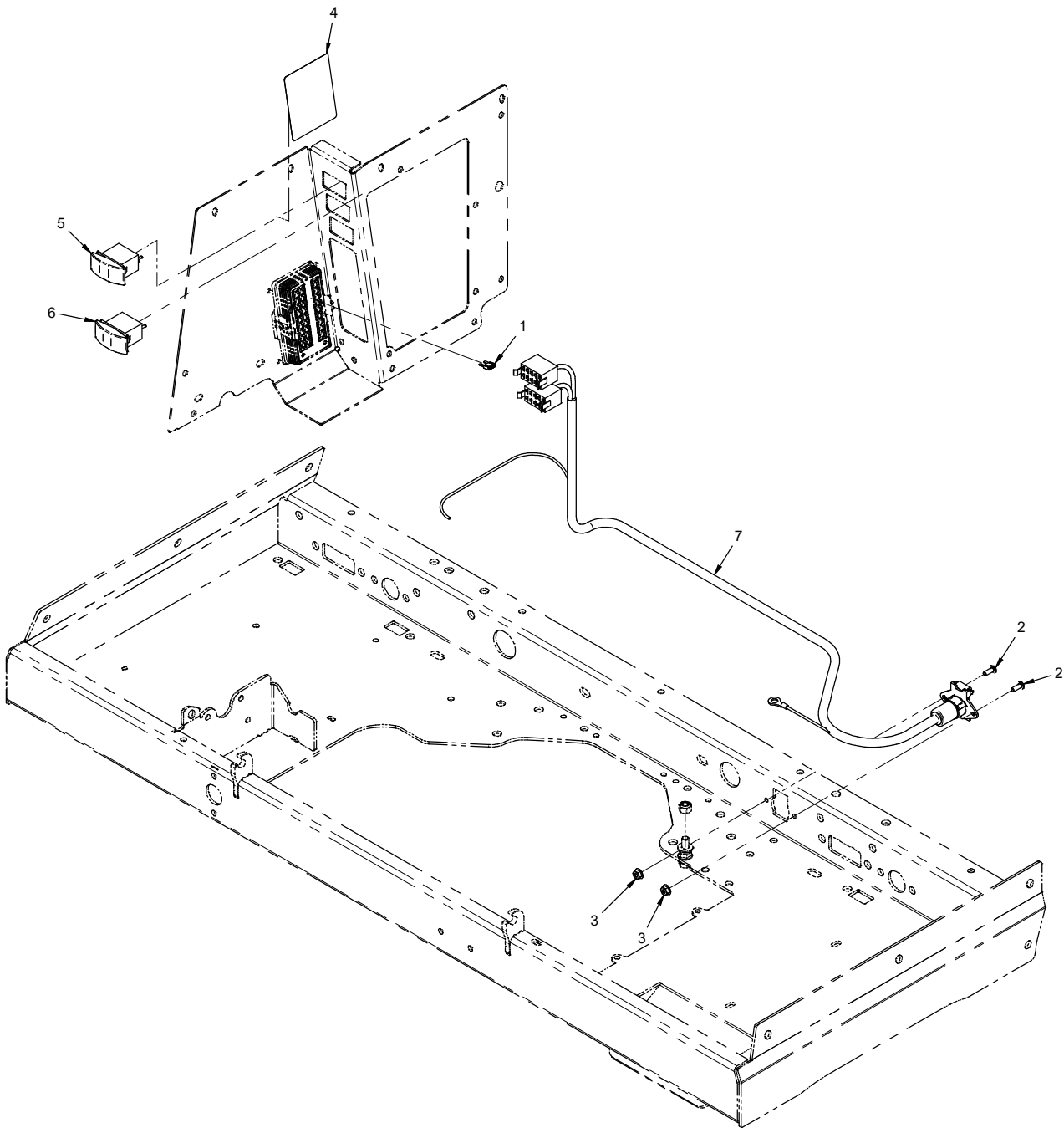
# OPTIONS

## 70.4108 Raised Platform Kit

REF.	PART NO.	DESCRIPTION	QTY.
1	99.E0046	Nut, "U" 1/4-20 Extruded	8
2	62.1384	Frame, Raised Platform RH	1
3	62.1388	Frame, Raised Platform LH	1
4	99.SF0406	Bolt, SRF 1/4-20 X 3/4	8
5	56.0055-11IN	Flex Tread, 5" Black Coarse x 11"	2

# OPTIONS

## ILLUSTRATED DRAWING 70.4105 12 Volt Rear Plug Kit (Serial # 01001-02232)



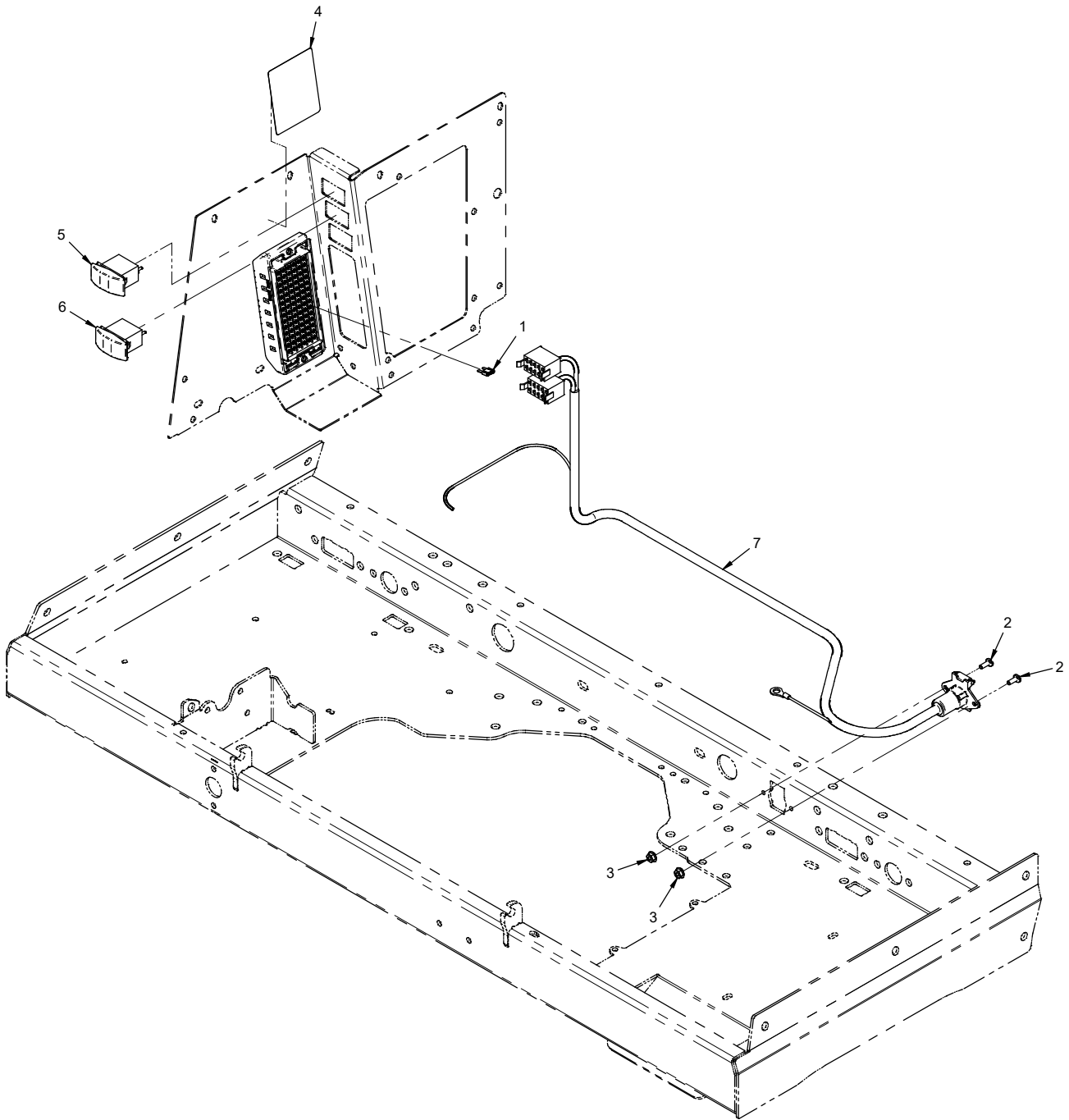
# OPTIONS

## 70.4105 12 Volt Rear Plug Kit (Serial # 01001-02232)

REF.	PART NO.	DESCRIPTION	QTY.
1	30.0335	.Fuse, 20 Amp Mini Yellow	1
2	99.K0062	.Machine Screw, #10-32 X 1/2	2
3	99.E0035	.Nut, SF #10-32	2
4	00.0662	.Decal, 12V Rear	1
5	31.0053	.Switch, Rocker On/Off	1
6	31.0056	.Switch, Rocker (On)/Off/(On)	1
7	32.0113	.Harness, Wire 12V Rear	1

# OPTIONS

## ILLUSTRATED DRAWING 70.4179 12 Volt Rear Plug Kit (Serial # 02233-)



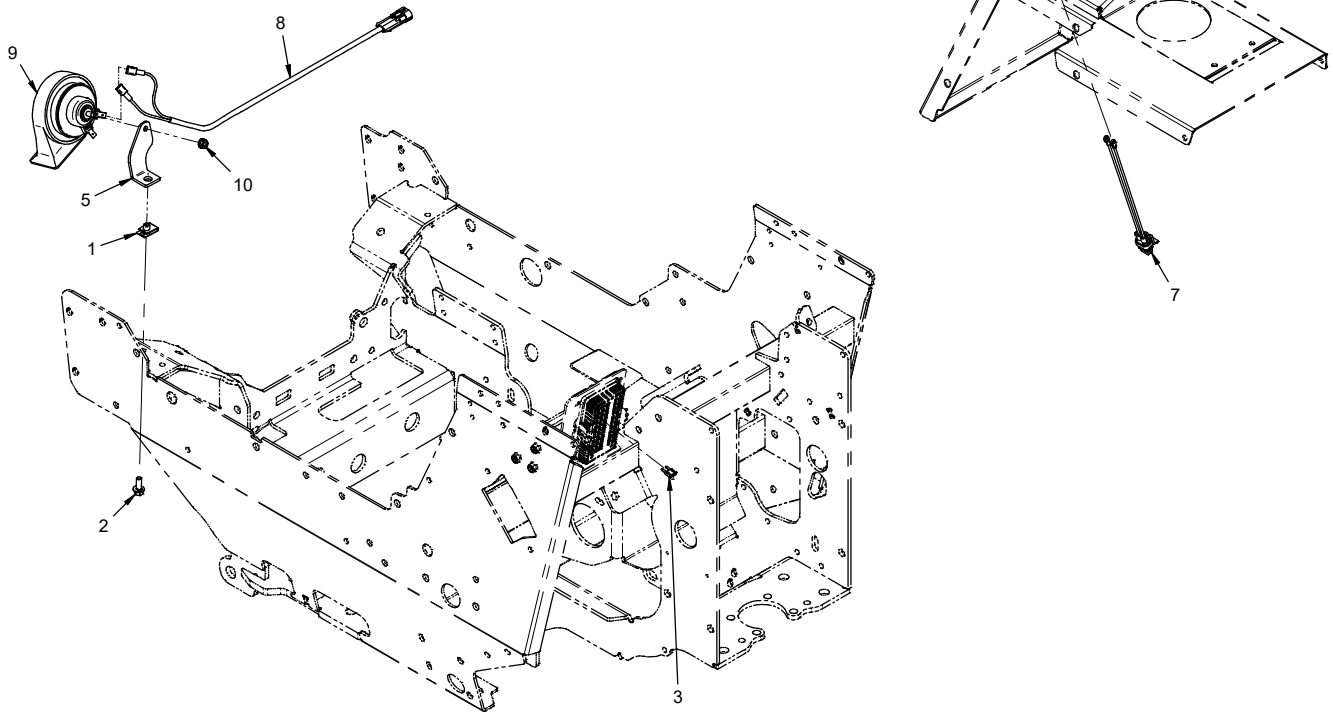
# OPTIONS

## 70.4179 12 Volt Rear Plug Kit (Serial # 02233-)

REF.	PART NO.	DESCRIPTION	QTY.
1	30.0335	Fuse, 20 Amp Mini Yellow	1
2	99.K0062	Machine Screw, #10-32 X 1/2	2
3	99.E0035	Nut, SF #10-32	2
4	00.0662	Decal, 12V Rear	1
5	31.0053	Switch, Rocker On/Off	1
6	31.0056	Switch, Rocker (On)/Off/(On)	1
7	32.0242	Harness, Wire 12V Rear	1

# OPTIONS

## ILLUSTRATED DRAWING 70.4120 Horn Kit





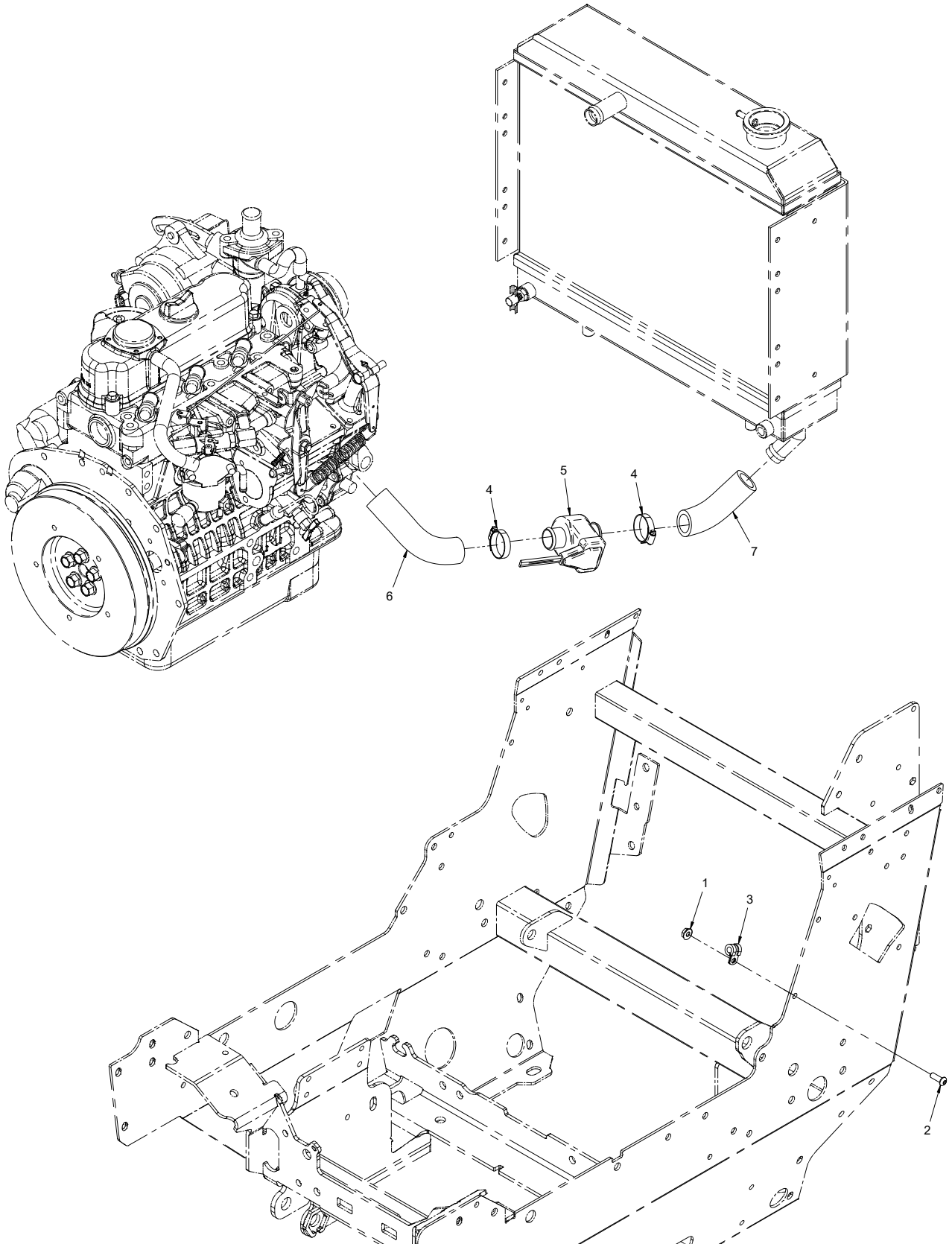
# OPTIONS

## 70.4120 Horn Kit

REF.	PART NO.	DESCRIPTION	QTY.
1	99.E0046	Nut, "U" 1/4-20 Extruded	1
2	99.SF0405-1	Bolt, SMF 1/4-20 X 5/8.	1
3	30.0332	Fuse, 5 Amp Mini Tan	1
4	31.0057	Switch, Horn	1
5	64.1711	Bracket, Horn	1
6	99.K0125	Machine Screw, #2-56 x 3/16	2
7	32.0115	Harness Section for Horn Switch	1
8	32.0115	Harness, Wire Horn	1
9	33.0019	Horn, Low Tone	1
10	99.M0029	Nut, M6 x 1.0 W/Lock Washer	1

# OPTIONS

## ILLUSTRATED DRAWING 70.4102 Kubota Engine Heater Kit



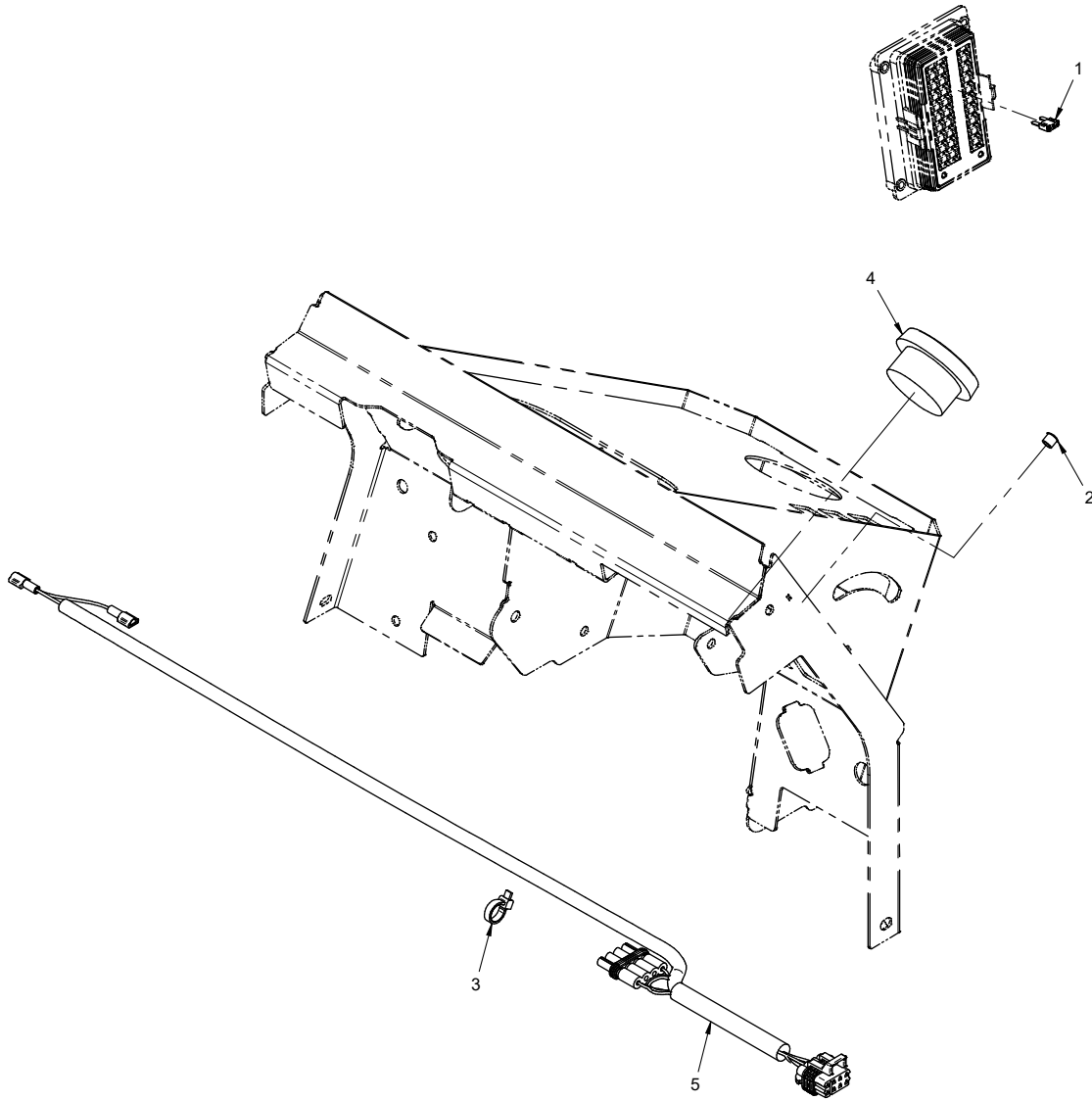
# OPTIONS

## 70.4102 Kubota Engine Heater Kit

REF.	PART NO.	DESCRIPTION	QTY.
1	99.SF04	Nut, SRF 1/4-20 USS	1
2	99.0406	Bolt, 1/4-20 x 3/4 BSCS	1
3	11.0058	Clamp, Cushioned 3/8" Round	1
4	11.0052	Clamp, Hose SS 13/16 x 1-1/2	2
5	13.0303	Heater, Radiator Hose	1
6	13.0263-1	Hose, Heater Engine Side	1
7	13.0263-2	Hose, Heater Radiator Side	1

# OPTIONS

## ILLUSTRATED DRAWING 70.4140 Slope Indicator Kit



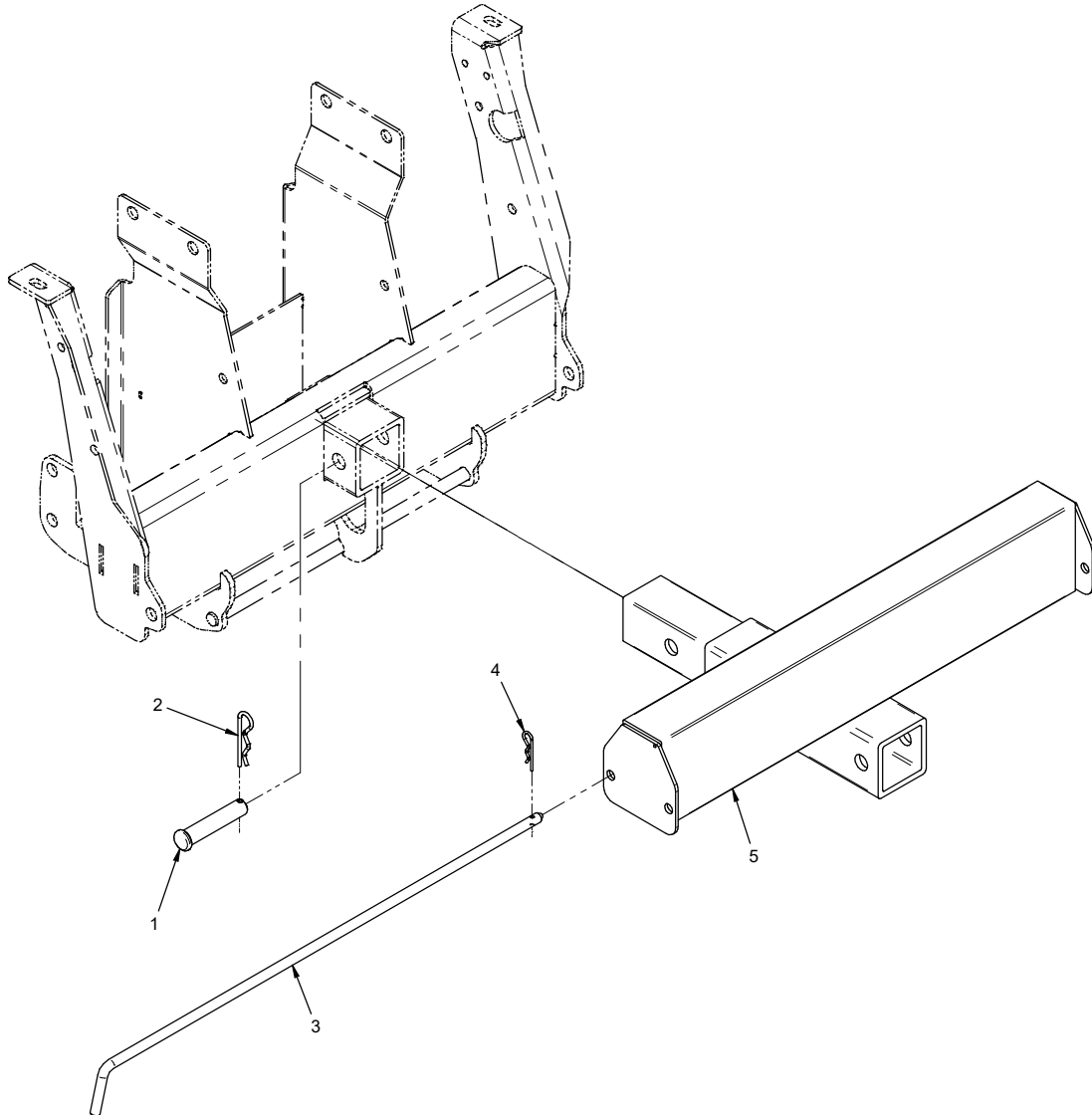
# OPTIONS

## 70.4140 Slope Indicator Kit

REF.	PART NO.	DESCRIPTION	QTY.
1	30.0332	Fuse, 5 Amp Mini Tan	1
2	05.0147	Plug, 5/16" Hole, Nylon Black	1
3	30.0037	Tyton Tie, #50 .18 x 8 Black	4
4	35.0145	Gauge, Slope Indicator	1
5	32.0166	Harness, Wire Slope Indicator	1

# OPTIONS

## ILLUSTRATED DRAWING 70.4144 Rear Weight Bar Kit



# OPTIONS

## 70.4144 Rear Weight Bar Kit

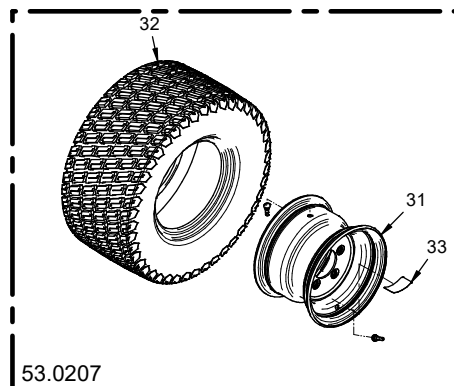
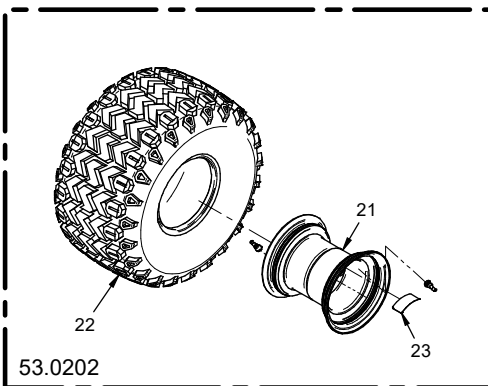
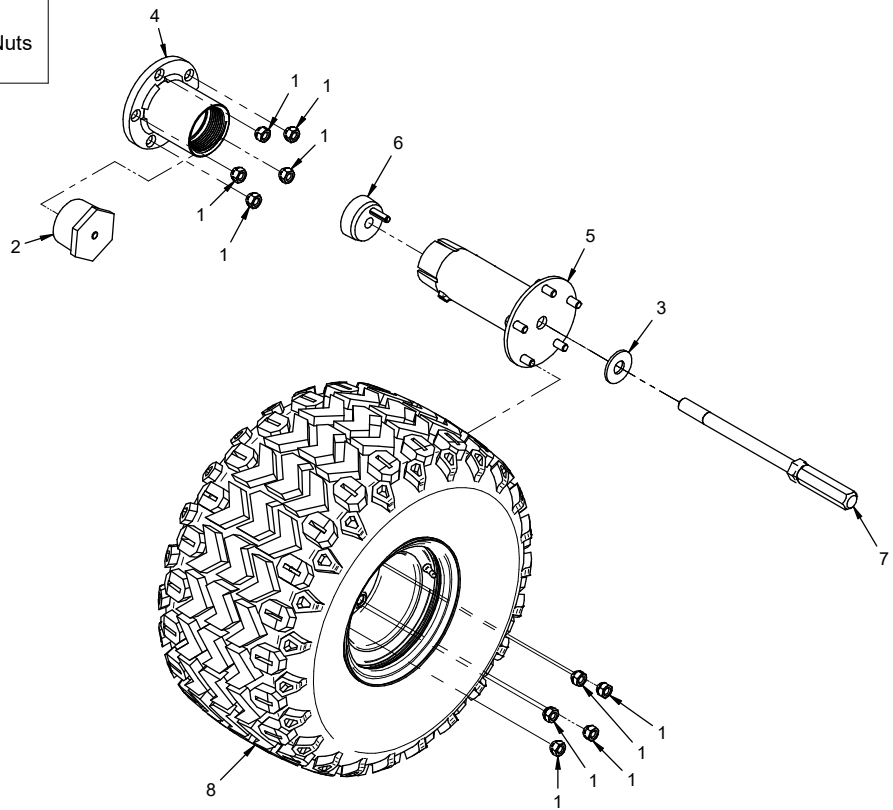
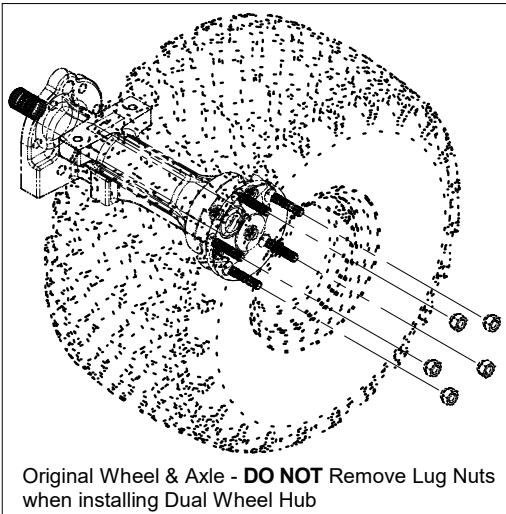
REF.	PART NO.	DESCRIPTION	QTY.
1	03.1024	Clevis Pin, 5/8 X 3 OAL	1
2	02.HP0420	Hairpin, 1/8 X 2 1/2	1
3	64.1912	Pin, Weight Secure 22.5" Usable	1
4	02.HP0313	Hairpin, 3/32 X 1-5/8	1
5	62.1454	Frame, Rear Weight Bar	1

# OPTIONS

## ILLUSTRATED DRAWING Dual Wheels

Field Trax Dual Wheel Kit - # 70.4067

Turf Master Dual Wheel Kit - # 70.4068





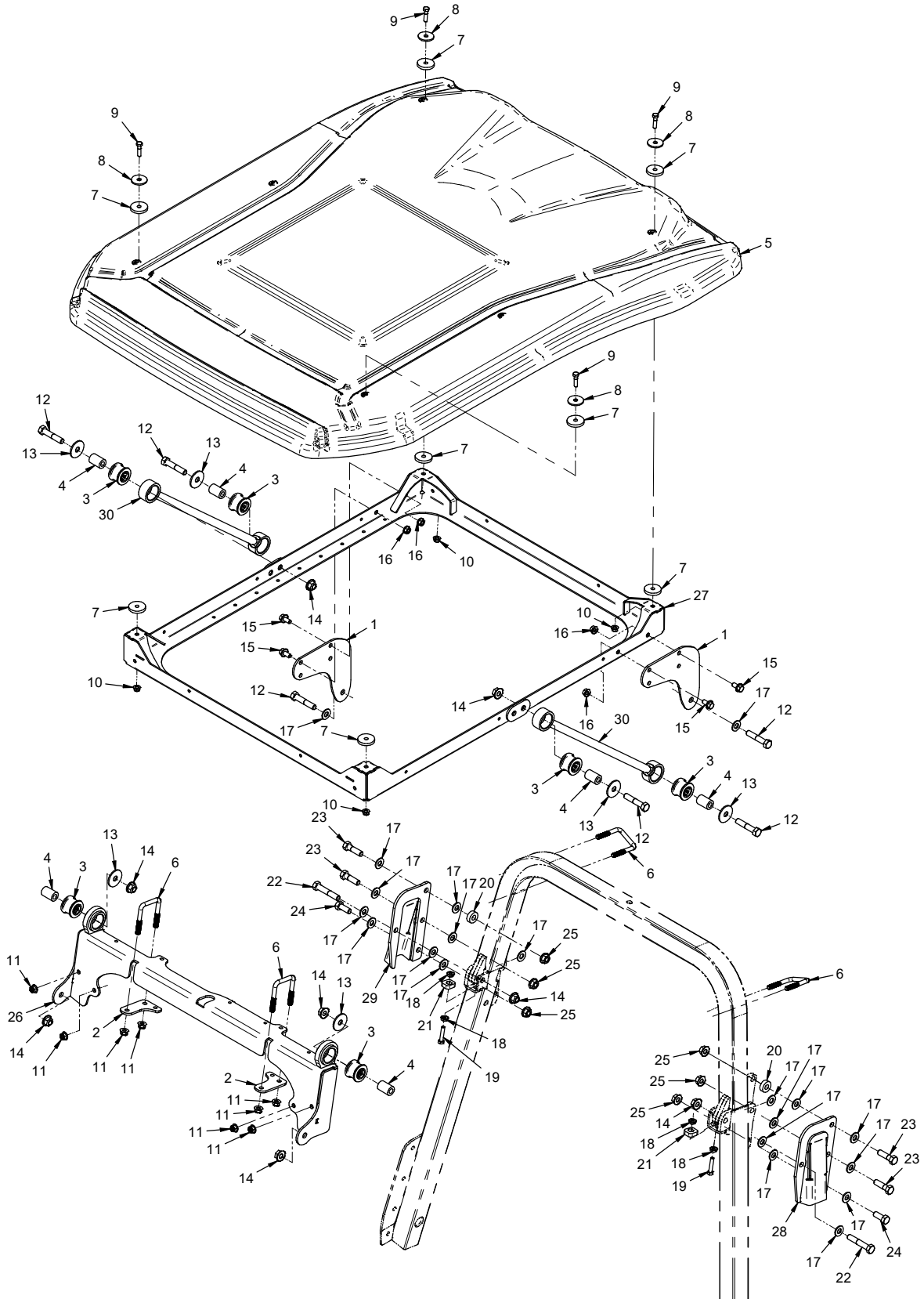
# OPTIONS

## Dual Wheels

REF.	PART NO.	DESCRIPTION	QTY.
1	99.E0044	Nut, Lug 7/16-20 SAE	40
2	05.0195	Plug, 2-1/2 Npt M, Black ABS	4
3	94.12	Washer, Flat 3/4 USS	4
4	50.0190	Increased Stud Hole Flare From .65 to .725	4
5	50.0061	Change Slot Width in 61.36004	4
6	50.0063	Cone, 3/4" Drawcone Duals	4
7	64.0672	Bolt, 3/4" Drawbolt Duals	4
8	53.0202	Wheel, Asm 22 X 12 X 8 Field	4
8	53.0207	Wheel, Asm 22 X 11 X 10 X 5B Turf	4
21	53.0203	Rim, 8 X 8.5, 5 On 4.5 BC	1
22	53.0089	Tire, Field 22 X 12 X 8-No Rim	1
23	00.0645	Decal, Hub Side	1
31	53.0208	Rim, 10 X 7 - 5 On 4.5 BC	1
32	53.0112	Tire, Turfmastr 22X11X10 No Rim	1
33	00.0645	Decal, Hub Side	1

# OPTIONS

## ILLUSTRATED DRAWING 70.4169 Canopy Kit



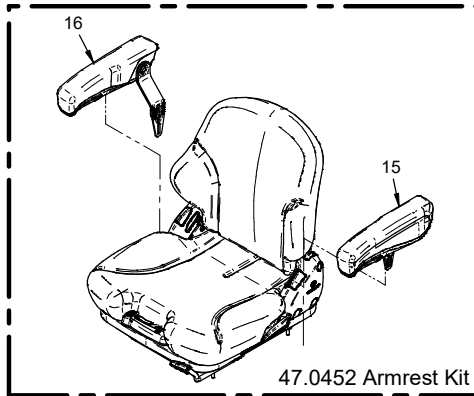
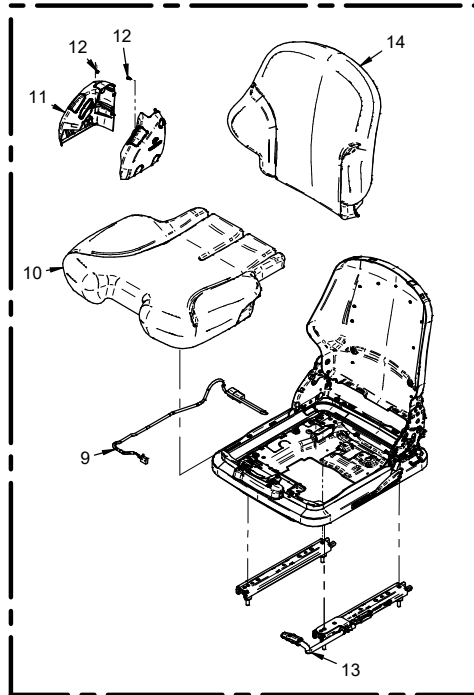
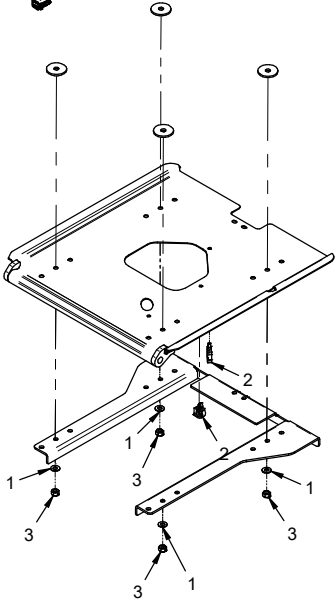
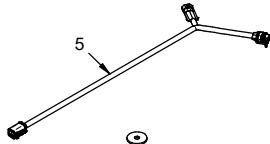
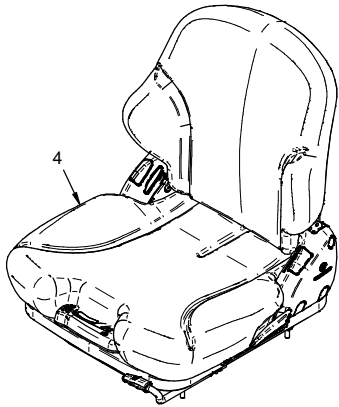
# OPTIONS

## 70.4169 Canopy Kit

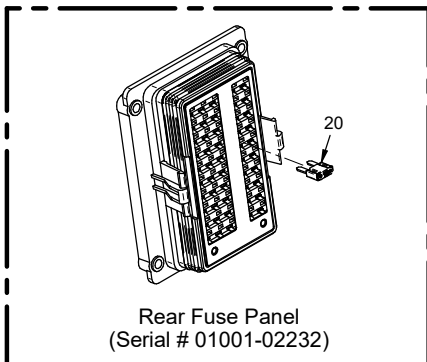
REF.	PART NO.	DESCRIPTION	QTY.
1	KN-1222	.Mount, Canopy Frame	2
2	KN-1225	.Plate, Rollbar Mount	2
3	85.B0113	.Bushing, Link Rod	6
4	64.2034	.Spacer, Link Rod	6
5	44.0363	.Roof, Cab	1
6	11.0053	.U-Bolt, 3/8-16 2-1/16" ID SQ Bend	4
7	05.0085	.Washer, Neoprene	8
8	99.B0076	.Washer, .130T x .395ID x 1.5OD	4
9	90.0510	.Bolt, 5/16-18 USS x 1-1/4	4
10	99.E0102	.Nut, Locking Flange 5/16-18	4
11	99.E0136	.Nut, Nylon Locking Flange 3/8-16	8
12	90.0820	.Bolt, 1/2-13 USS x 2-1/2	6
13	99.B0141	.Washer, Fender 1/2 x 1-3/4 OD	6
14	99.E0103	.Nut, Locking Flange 1/2-13	8
15	99.SF0606-1	.Bolt, SMF 3/8-16 USS x 3/4	4
16	99.SF06	.Nut, SRF 3/8-16 USS	4
17	95.08	.Washer, Flat 1/2 SAE	20
18	99.SF05	.Nut, SRF 5/16-18 USS	4
19	90.0512-2	.Bolt, 5/16-18 USS x 1-1/2 Tap	2
20	KN-1338	.Spacer, 1/2 ID x 1-1/8 OD x 3/8 T	2
21	KN-1339	.Plate, Rollbar Lock	2
22	90.0822	.Bolt, 1/2-13 USS x 2-3/4	2
23	90.0814	.Bolt, 1/2-13 USS x 1-3/4	4
24	90.0810	.Bolt, 1/2-13 USS x 1-1/4	2
25	99.SF08	.Nut, SRF 1/2-13 USS	6
26	KN-6026	.Frame, Rollbar Mount	1
27	KN-6027	.Frame, Canopy	1
28	KN-6055	.Bracket, Rollbar Lock LH	1
29	KN-6053	.Bracket, Rollbar Lock RH	1
30	KN-6035	.Link, Rod 20.00"	2

# OPTIONS

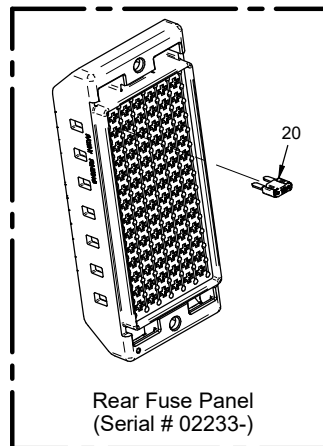
## ILLUSTRATED DRAWING 70.4167 Suspension Seat Kit



47.0452 Armrest Kit



Rear Fuse Panel  
(Serial # 01001-02232)



Rear Fuse Panel  
(Serial # 02233-)

# OPTIONS

## 70.4167 Suspension Seat Kit

REF.	PART NO.	DESCRIPTION	QTY.
1	95.05	Washer, Flat 5/16 SAE	4
2	30.0135	Clamp, Loom 3/8 Rosebud Mount	2
3	99.M0068	Nut, M8 x 1.25 Nylon Lock	4
4	47.0449	Seat, Suspension	1
5	32.0212	Harness, Wire Grammer Seat	1
9	31.0075	Switch, Seat Asm.	1
10	47.0501	Cushion, Seat Heated	1
11	47.0482	Cover, Left & Right Side (Set)	1
12	04.0049	Rivet, Side Covers for Grammer Seat	2
13	47.0510	Rail Set, Slide Adjustment	1
14		Seat Back for 47.0449 Seat	1
15	47.0452-L	Armrest, Left - Suspension Seat	1
16	47.0452-R	Armrest, Right - Suspension Seat	1
20	30.0333	Fuse, 10 Amp Mini Red	1