

Parts Manual

# KJ520

Power Broom



Revised 11/10/22  
09.20056 Rev. 03



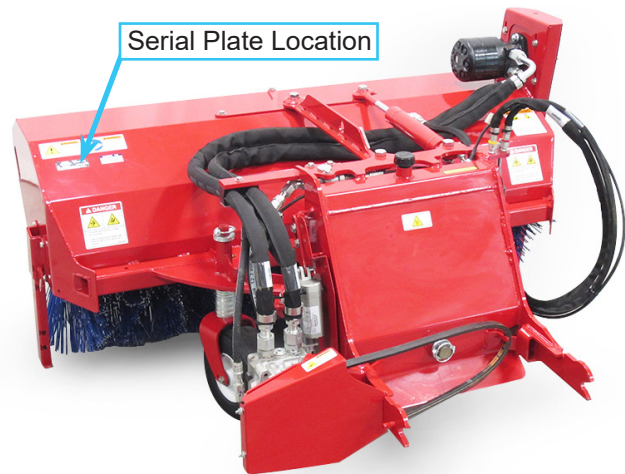
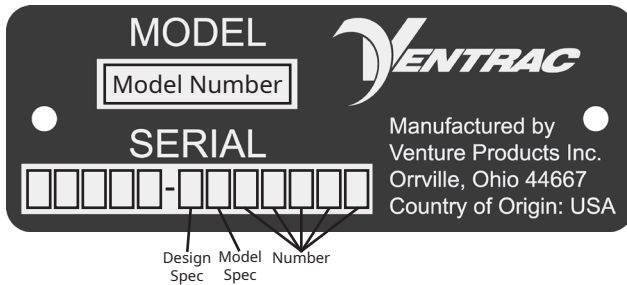
500 Venture Drive  
Orrville Oh 44667  
www.ventrac.com

View all manuals



Visit [ventrac.com/manuals](http://ventrac.com/manuals) for the latest version of this parts manual. A downloadable operator's manual is also available.

### Serial Number Description



### Notes

- If any component requires replacement, use only original Ventrac replacement parts.
- When ordering new components, be sure to order all required safety decals. All current safety decals must be affixed to the replacement components prior to installation of the component.

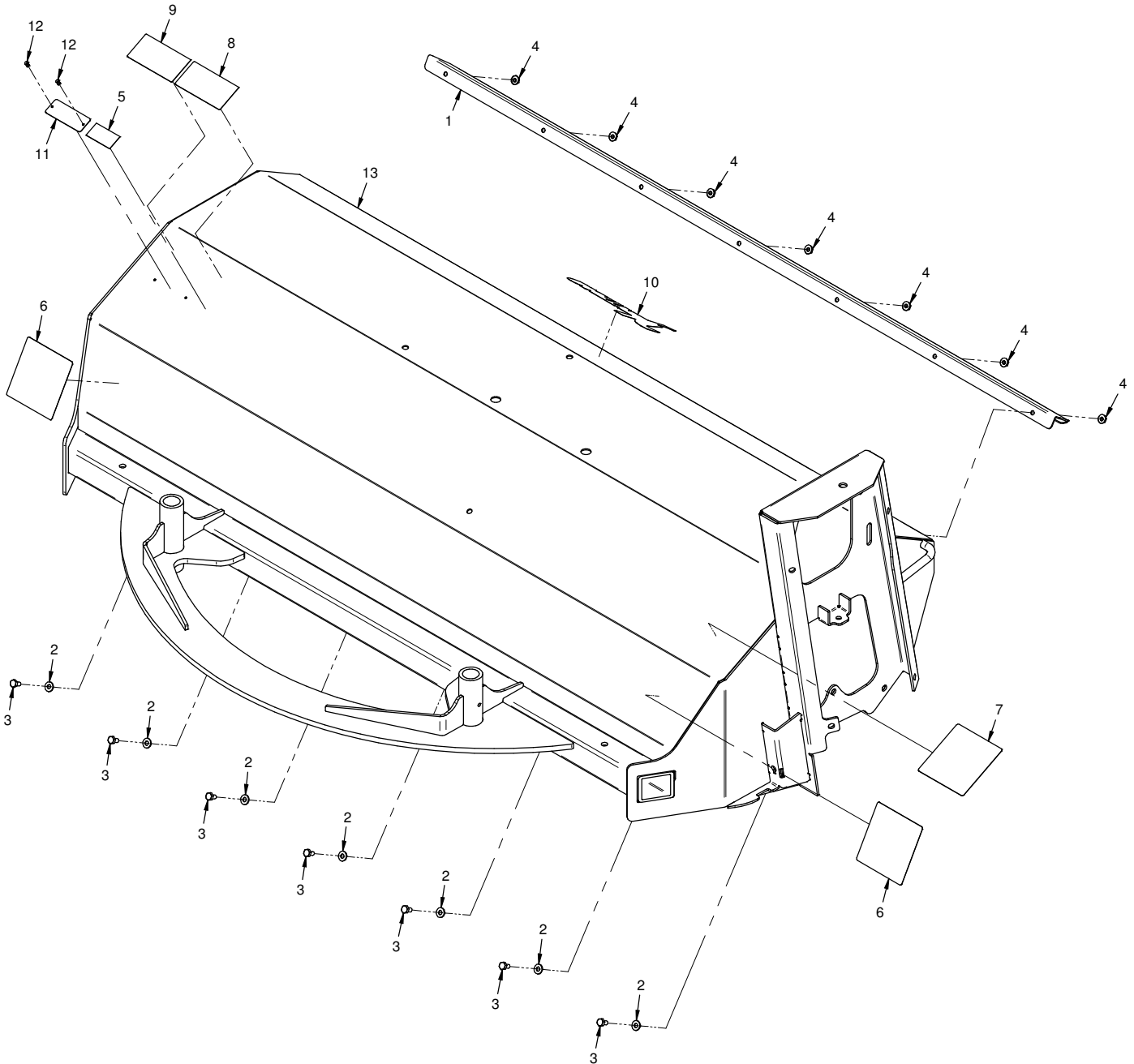
# TABLE OF CONTENTS

---

<b>PARTS</b>	<b>PAGE 4</b>
Brush Shroud Frame & Deflector .....	4
Wheels & Storage Stands .....	6
Broom Angle & Pivot .....	8
Hitch Frame & Pump Mount.....	10
Rotor & Brush Wafers .....	12
Motor Mount & Rotor Drive .....	14
Hydraulic Drive Circuit.....	16
70.8211 Optional 12V Actuator .....	18

# PARTS

## ILLUSTRATED DRAWING Brush Shroud Frame & Deflector



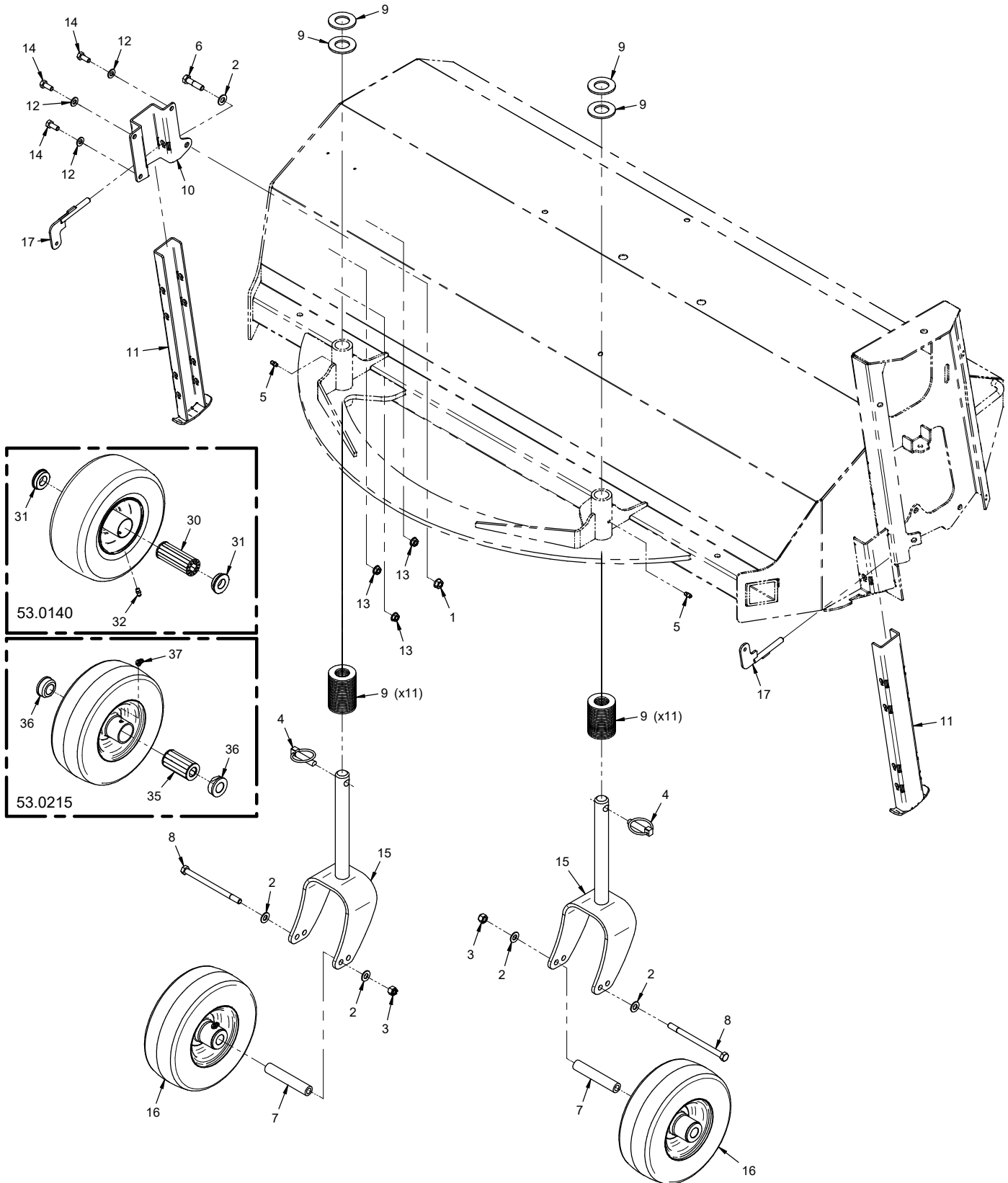
# PARTS

## Brush Shroud Frame & Deflector

REF.	PART NO.	DESCRIPTION	QTY.
1	KJ-1011	.Deflector, Front	1
2	95.04-3	.Washer, Flat 1/4 SAE SS	7
3	90.0404-3	.Bolt, 1/4-20 USS x 1/2 SS	7
4	99.SF04-3	.Nut, SRF 1/4-20 USS Stainless	7
5	00.0100	.Decal, Made In USA	1
6	00.0102	.Decal, Danger - Pinching Hazard (Serial # 01001-01760)	2
6	00.0620	.Decal, Pinching or Crushing Hazard (Serial # 01761-)	2
7	00.0103	.Decal, Hazard - High Press. Fluid (Serial # 01001-01760)	1
7	00.0621	.Decal, High Pressure Fluid Hazard (Serial # 01761-)	1
8	00.0217	.Decal, Warning Read Owners Man (Serial # 01001-01760)	1
8	00.0619	.Decal, Read Operator's Manual (Serial # 01761-)	1
9	00.0220	.Decal, General Safety (Serial # 01001-01760)	1
9	00.0632	.Decal, Moving Parts Hazard (Serial # 01761-)	1
10	00.0383	.Decal, Ventrac	1
11	N/A	.Plate, Ventrac Serial Number	1
12	04.0029	.Rivet, Pop 1/8" X 1/4" SS	2
13	KJ-6014	.Frame, Brush Shroud	1

# PARTS

## ILLUSTRATED DRAWING Wheels & Storage Stands



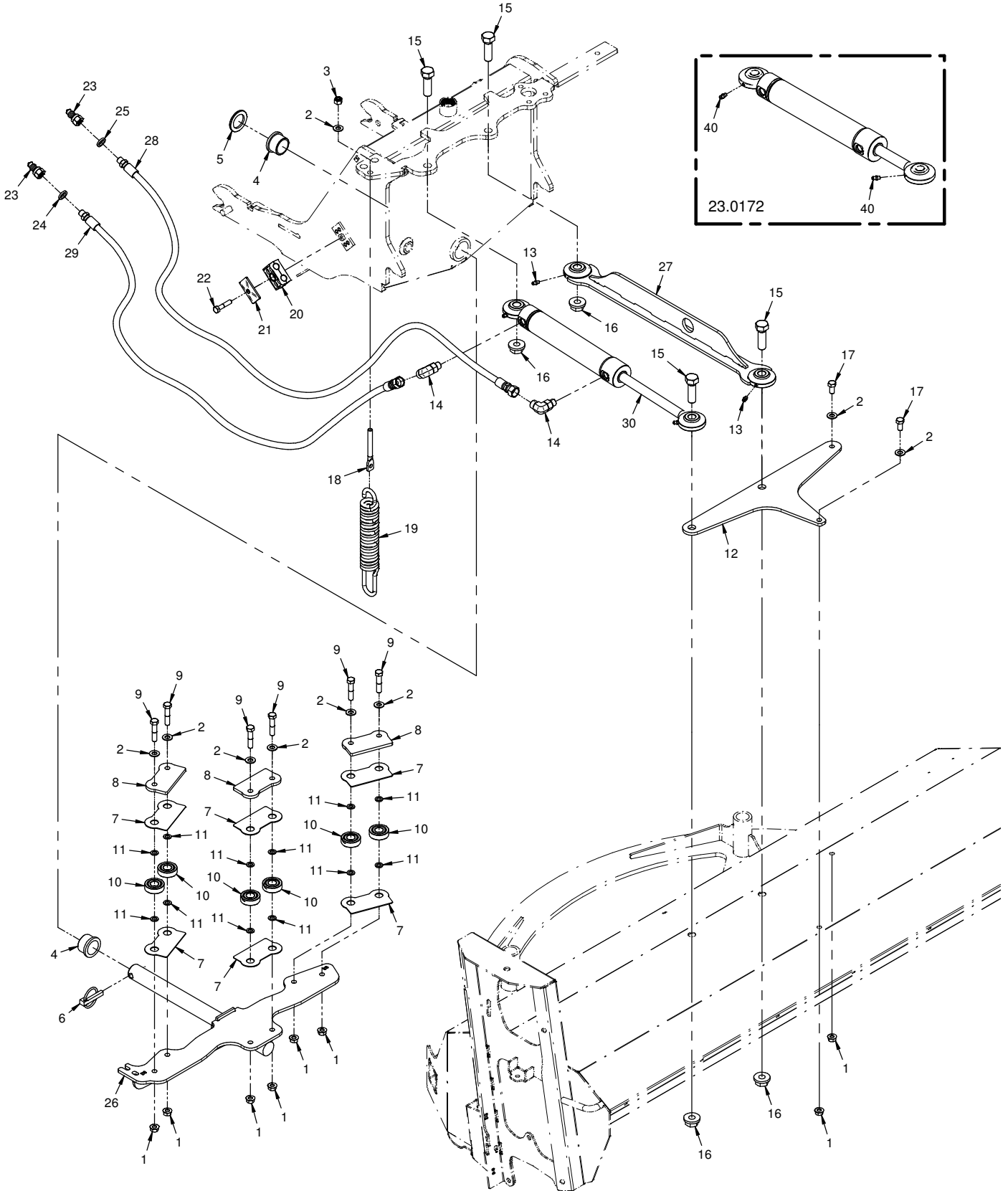
# PARTS

## Wheels & Storage Stands

REF.	PART NO.	DESCRIPTION	QTY.
1	99.SF06-3	.Nut, SRF 3/8-16 USS Stainless	1
2	95.06-3	.Washer, Flat 3/8 SAE SS	5
3	99.A06N-3	.Locknut, Nylon 3/8-16 SS	2
4	03.0005	.Pin, Linch	2
5	29.GF0001	.Grease Ftg, 1/4 SAE ST	2
6	90.0612-3	.Bolt, 3/8-16 USS x 1-1/2 SS	1
7	50.0055	.Tube, Axle-Wheel LM	2
8	90.0644-3	.Bolt, 3/8-16 USS x 5-1/2 SS	2
9	95.16	.Washer, Flat 1 SAE	48
10	KJ-1057	.Bracket, Left Storage Stand	1
11	KJ-1066	.Stand, Storage	2
12	95.05-3	.Washer, Flat 5/16 SAE SS	3
13	99.SF05-3	.Nut, SRF 5/16-18 USS Stainless	3
14	90.0506-3	.Bolt, 5/16-18 USS x 3/4 SS	3
15	KJ-6011	.Spindle, Wheel Swivel	2
16	53.0140	.Wheel, Asm 9 x 3.5 x4 Flatfree (Serial # 01001-01688)	2
16	53.0215	.Wheel, Asm 9 x 3.5 x4 Flatfree (Serial # 01689-)	1
17	KJ-6022	.Pin, Jack Stand	2
30	55.0071	.Bearing, Roller 3.25" Long	1
31	55.0072	.Bearing, Retainer 3/4"	2
32	29.GF0001	.Grease Ftg, 1/4 SAE ST	1
35	55.0115	.Bearing, Roller 2.50" Long	1
36	55.0114	.Retainer, Roller Bearing 3/4"	2
37	29.GF0003	.Grease Ftg, 1/4 SAE 45	1

# PARTS

## ILLUSTRATED DRAWING Broom Angle & Pivot





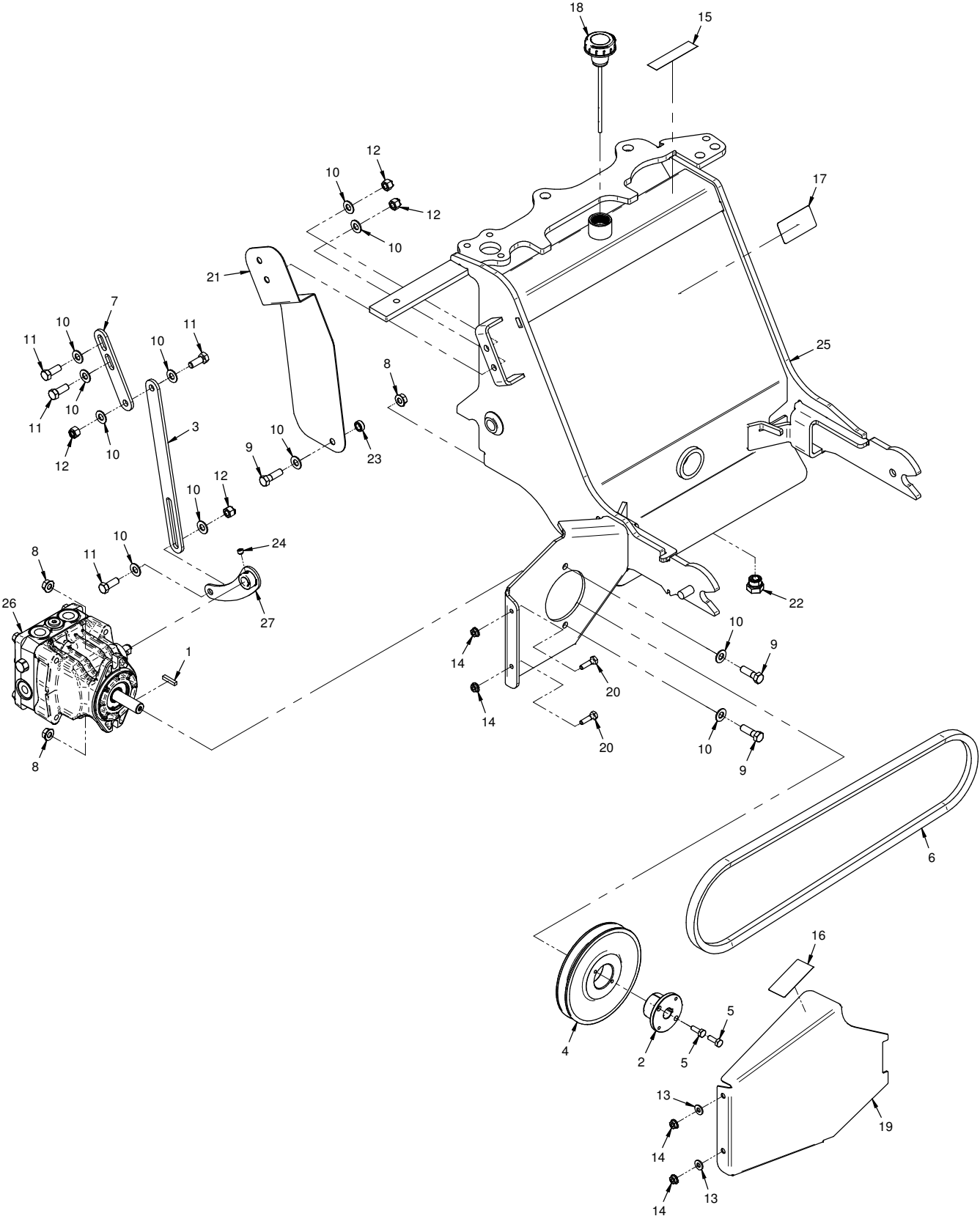
# PARTS

## Broom Angle & Pivot

REF.	PART NO.	DESCRIPTION	QTY.
1	99.SF06-3	Nut, SRF 3/8-16 USS Stainless	8
2	95.06-3	Washer, Flat 3/8 SAE SS	9
3	99.A06N-3	Locknut, Nylon 3/8-16 SS	1
4	85.B0060	Bushing, 1-1/4 ID x 1-1/2 OD 1	2
5	99.B0024-2	Washer, Mach 1-1/4 x 1-7/8 10 GA	1
6	03.0005	Pin, Linch	1
7	NJ-1009	Slide, Broom Pivot	6
8	NJ-1003	Clamp, Broom Pivot Guide	3
9	90.0614-3	Bolt, 3/8-16 USS x 1-3/4 SS	6
10	55.0103	Bearing, Ball .375" ID x 40mm OD	6
11	99.B0125	Shim, .375 ID x .625 OD x .090T SS	12
12	KJ-1114	Plate, Pivot Reinforcement	1
13	29.GF0001	Grease Ftg, 1/4 SAE ST	2
14	25.FF6801-06-06-CP	Fitting, 90 Elbow - 6MFF X 6MB	2
15	90.1016	Bolt, 5/8-11 USS x 2	4
16	99.E0094	Locknut, 5/8-11 Flanged Stover	4
17	90.0606-3	Bolt, 3/8-16 USS x 3/4SS	2
18	99.K0094	Bolt, Hanger 3/8-16 X 4	1
19	41.0128	Spring, Ext. 1.5 OD x 9.925 L	1
20	44.0256	Clamp, HYD Hose 12.7MM ID GRN	1
21	44.0229	Cover Plate, 2D Group	1
22	90.0512-3	Bolt, 5/16-18 USS x 1-1/2 SS	1
23	23.0104	Coupler, Quick Male 1/4	2
24	05.0116	Washer, .544 ID x .817 x .14 Red	1
25	05.0117	Washer, .544 ID x .817 x .14 Yel	1
26	KJ-6016	Frame, Broom Pivot	1
27	KJ-6007	Link, Swivel Upper Pivot	1
28	20.0366	Hose, 1/4x59.00 SAE 100R17AR	1
29	20.0367	Hose, 1/4x48.00 SAE 100R17AR	1
30	23.0172	Cylinder, 1-1/2" X 8"	1
40	29.GF0001	Grease Ftg, 1/4 SAE ST	2

# PARTS

## ILLUSTRATED DRAWING Hitch Frame & Pump Mount



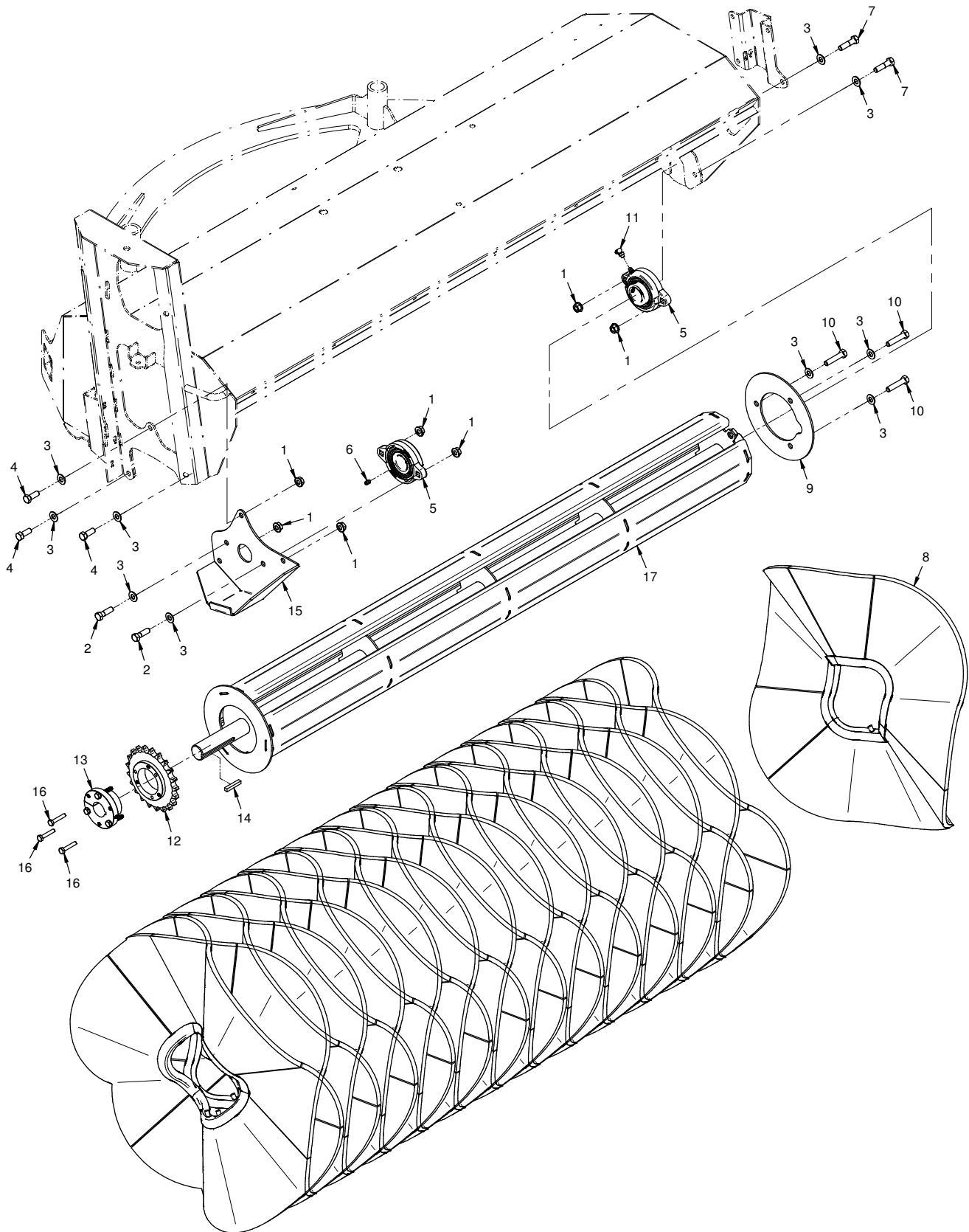
# PARTS

## Hitch Frame & Pump Mount

REF.	PART NO.	DESCRIPTION	QTY.
1	85.K508	.Key, 5mm Sq x 1"	1
2	83.H17M	.Bushing, 17mm H.	1
3	KJ-1150	.Link, Manual Pump Control	1
4	83.BK65H	.Pulley, 6.5" H-Bushing	1
5	90.0406	.Bolt, 1/4-20 USS x 3/4"	2
6	81.B051	.Belt, B51	1
7	KJ-1113	.Mount, Pump Actuator Link	1
8	99.SF06-3	.Nut, SRF 3/8-16 USS Stainless	3
9	90.0610-3	.Bolt, 3/8-16 USS x 1-1/4 SS	3
10	95.06-3	.Washer, Flat 3/8 SAE SS	11
11	90.0608-3	.Bolt, 3/8-16 USS x 1 SS	4
12	99.A06N-3	.Locknut, Nylon 3/8-16 SS	4
13	95.04-3	.Washer, Flat 1/4 SAE SS	2
14	99.SF04-3	.Nut, SRF 1/4-20 USS Stainless	4
15	00.0148	.Decal, Hyd. Oil 3-7/16 x 3/4	1
16	00.0216	.Decal, Warning Moving Parts (Serial # 01001-01760)	1
16	00.0631	.Decal, Finger/Hand Entanglement (Serial # 01761-)	1
17	00.0374	.Decal, Hot Surface	1
18	23.0175	.Dipstick, Asm 5-1/4	1
19	KJ-1119	.Shield, Drive Pulley	1
20	90.0408-3	.Bolt, 1/4-20 USS x 1 SS	2
21	KJ-1120	.Shield, Actuator Heat	1
22	25.6408-08-CP	.Fitting, Plug 8MB	1
23	64.0602	.Bushing, 3/8 x 5/8 x .265	1
24	85.SS31	.Set Screw, 5/16-24 x 3/8" SS	1
25	KJ-6013	.Frame, Hitch / Hyd Tank Main	1
26	21.0145	.Pump, Hyd. Hydrogear	1
27	KJ-6017	.Lever, Pump Control	1

# PARTS

## ILLUSTRATED DRAWING Rotor & Brush Wafers



# PARTS

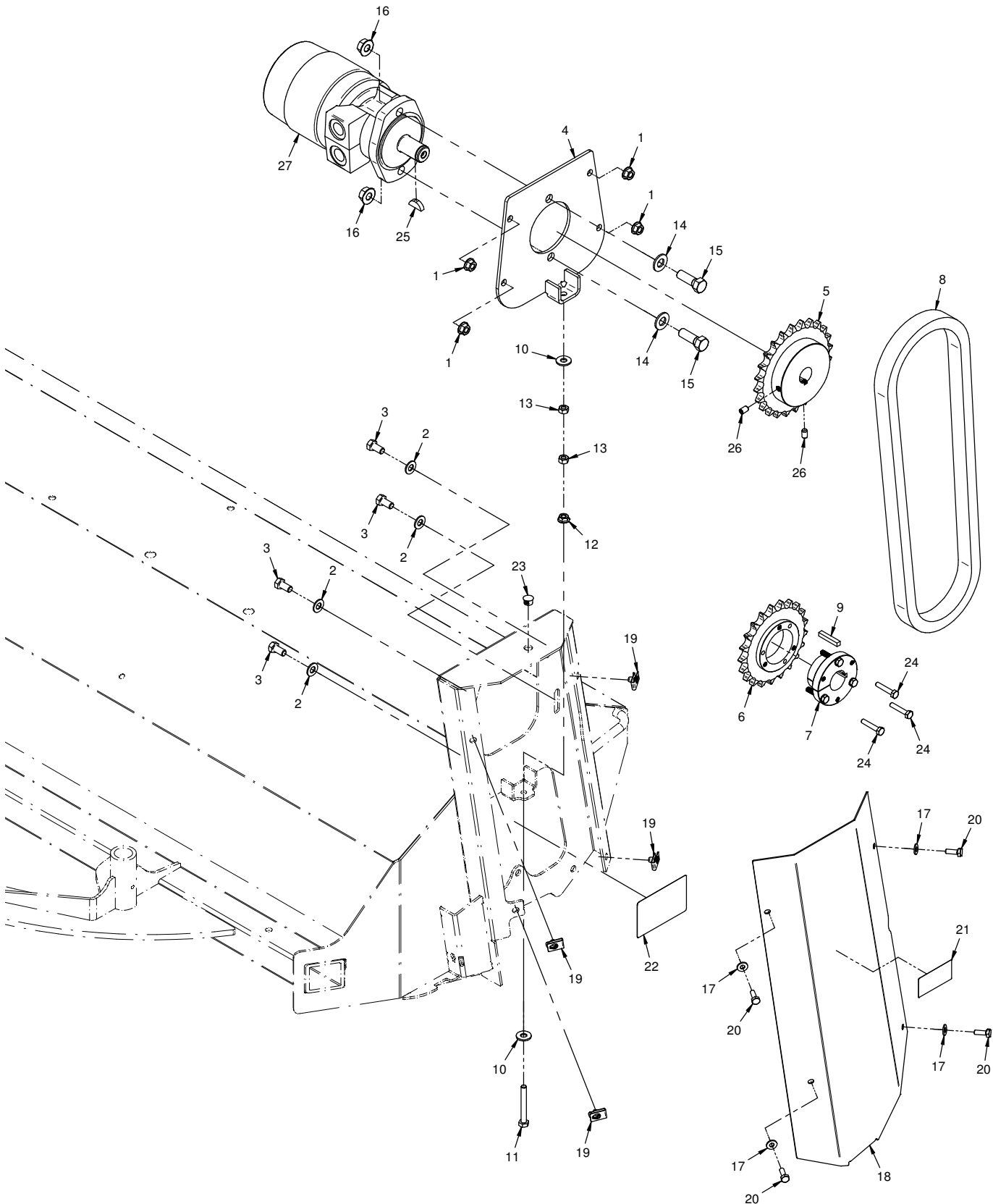
## Rotor & Brush Wafers

REF.	PART NO.	DESCRIPTION	QTY.
1	99.SF06-3	Nut, SRF 3/8-16 USS Stainless	7
2	90.0610-3	Bolt, 3/8-16 USS x 1-1/4 SS	2
3	95.06-3	Washer, Flat 3/8 SAE SS	10
4	90.0608-3	Bolt, 3/8-16 USS x 1 SS	3
5	55.FB16020	Bearing, Flange Block 1-1/4"	2
6	29.GF0001	Grease Ftg, 1/4 SAE ST	1
7	90.0612-3	Bolt, 3/8-16 USS x 1-1/2 SS	2
8	79.0118	Brush, Wafer 24" Poly	28*
9	KJ-1064	Clamp, Brush Wafer	1
10	90.0614-23	Bolt, 3/8-16 x 1-3/4 All Thrd SS	3
11	29.GF0002	Grease Ftg, 1/4 SAE 90	1
12	83.60SDS21	Sprocket, #60 21-T SDS Bushing	1
13	83.SDS20	Bushing, 1 1/4" SDS	1
14	85.K0412	Key, 1/4 X 1-1/2	1
15	KJ-1055	Cover, Brush Drive Bottom	1
16	90.0411-2	Bolt, 1/4-20 x 1-3/8" Tap	3
17	KJ-6006	Frame, Brush Rotor	1

\*as needed

# PARTS

## ILLUSTRATED DRAWING Motor Mount & Rotor Drive



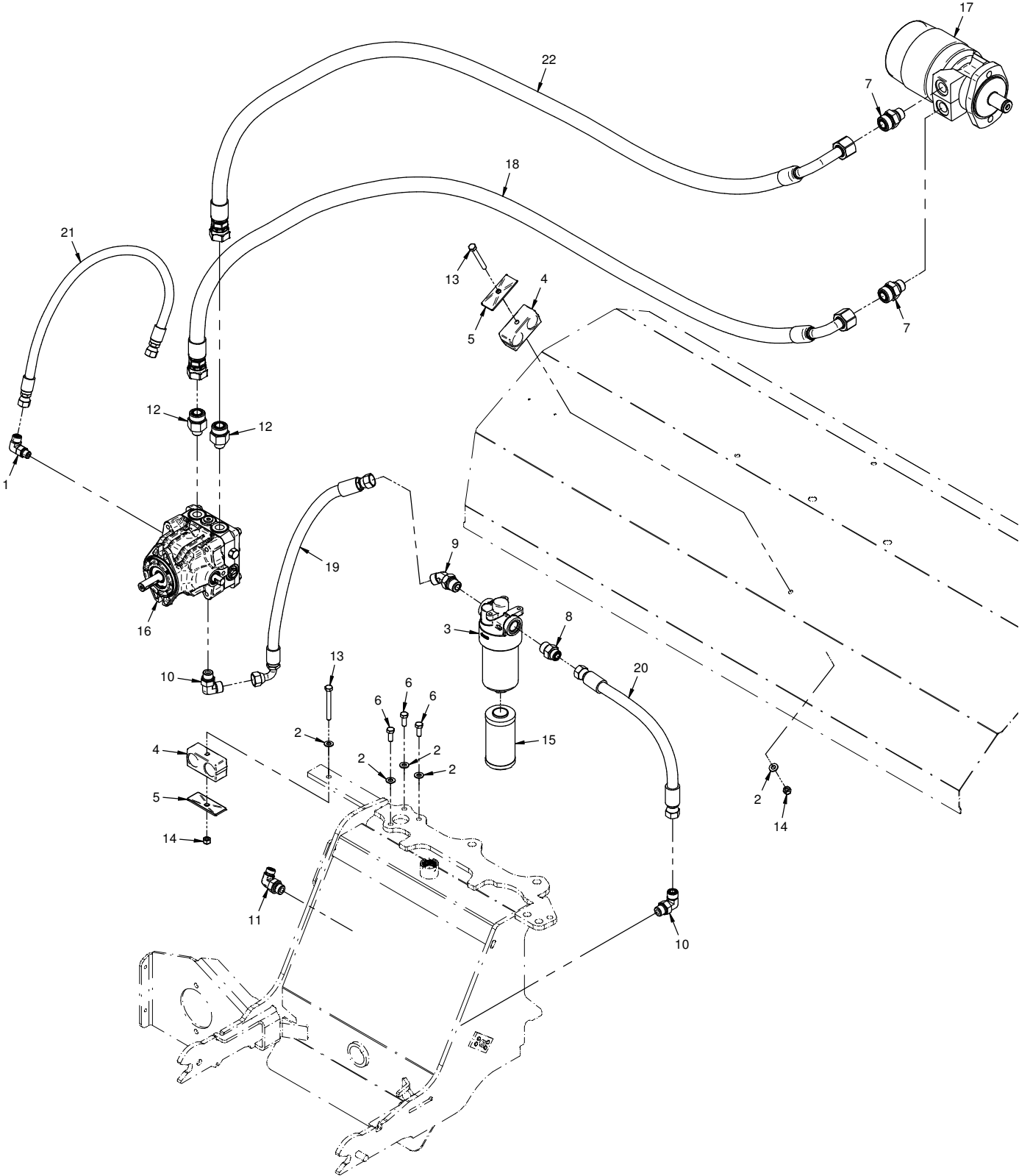
# PARTS

## Motor Mount & Rotor Drive

REF.	PART NO.	DESCRIPTION	QTY.
1	99.SF06-3	Nut, SRF 3/8-16 USS Stainless	4
2	95.06-3	Washer, Flat 3/8 SAE SS	4
3	90.0606-3	Bolt, 3/8-16 USS x 3/4SS	4
4	KJ-1036	Plate, Motor Mount	1
5	83.602416	Sprocket, #60 24-T 1" Bore	1
6	83.60SDS21	Sprocket, #60 21-T SDS Bushing	1
7	83.SDS20	Bushing, 1 1/4" SDS	1
8	81.0182	Chain, Roller #60 x 48"	1
9	85.K0412	Key, 1/4 X 1-1/2	1
10	94.05	Washer, Flat 5/16 USS	2
11	90.0520-2	Bolt, 5/16-18 x 2-1/2" All Thread	1
12	99.SF05	Nut, SRF 5/16-18 USS	1
13	92.05	Nut, 5/16-18 USS	2
14	95.08	Washer, Flat 1/2 SAE	2
15	90.0812	Bolt, 1/2-13 USS x 1-1/2	2
16	99.SF08	Nut, SRF 1/2-13 USS	2
17	95.04-3	Washer, Flat 1/4 SAE SS	4
18	KJ-1010	Cover, Brush Drive	1
19	99.E0046	Nut, "U" 1/4-20 Extruded	4
20	90.0406-3	Bolt, 1/4-20 USS x 3/4 SS	4
21	00.0216	Decal, Warning Moving Parts (Serial # 01001-01760)	1
21	00.0631	Decal, Finger/Hand Entanglement (Serial # 01761-)	1
22	00.0492	Decal, Shield Missing (Serial # 01001-01760)	1
22	00.0625	Decal, Shield Missing (Serial # 01761-)	1
23	05.0070	Plug, 1/2" Hole, Nylon	1
24	90.0411-2	Bolt, 1/4-20 x 1-3/8" Tap	3
25	85.W0408	Key, Woodruff 1/4 x 1	1
26	85.SS16	Set Screw, 5/16-18 x 1/2	2
27	21.0146	Motor, Hyd. Parker	1

# PARTS

## ILLUSTRATED DRAWING Hydraulic Drive Circuit





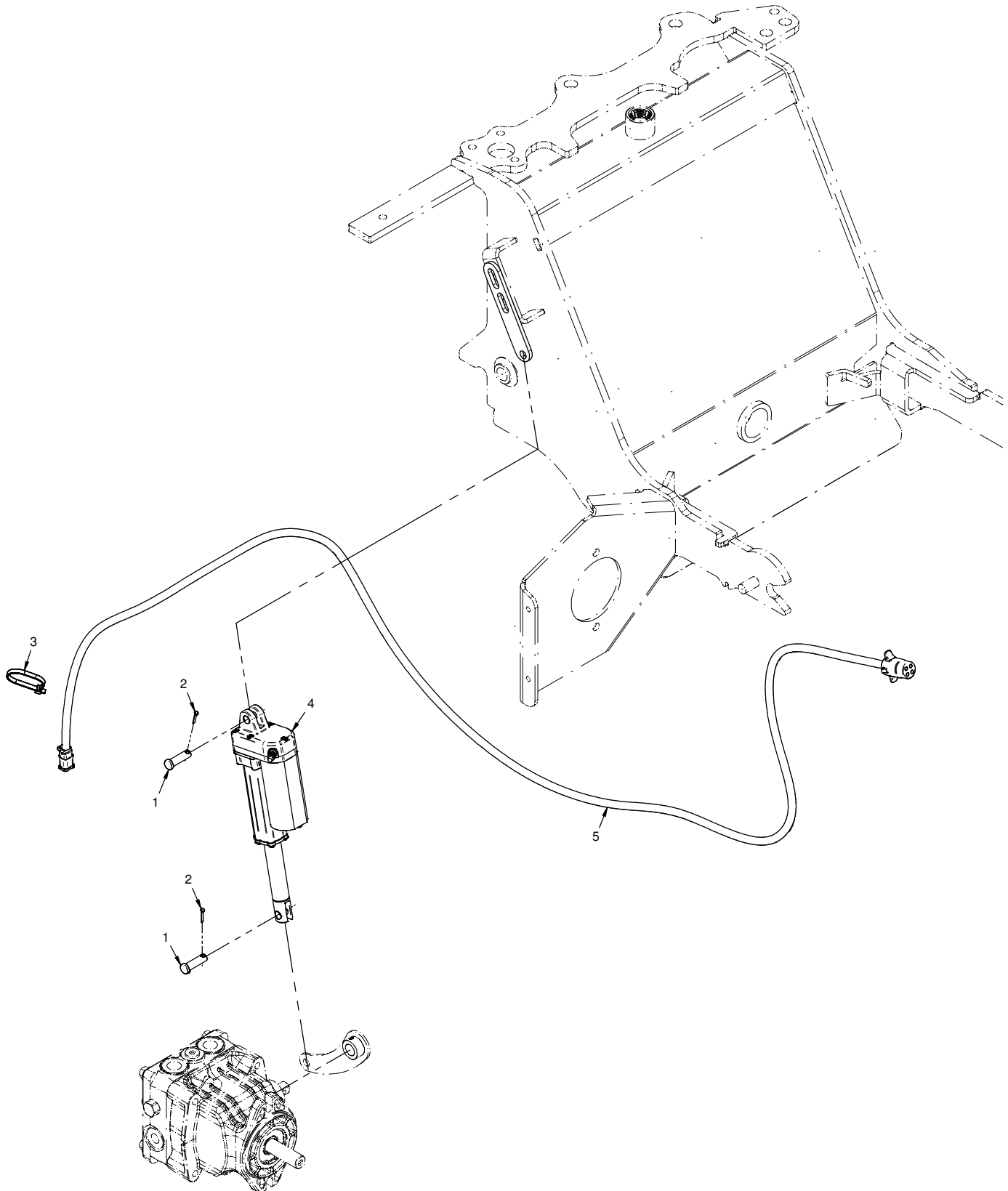
# PARTS

## Hydraulic Drive Circuit

REF.	PART NO.	DESCRIPTION	QTY.
1	25.FF6801-06-06-CP	.Fitting, 90 Elbow - 6MFF X 6MB.	1
2	95.05-3	.Washer, Flat 5/16 SAE SS	5
3	21.0137	.Filter, HYD ASM 25 Micron	1
4	44.0411	.Clamp, Hyd Hose 28mm ID (2)	2
5	44.0412	.Cover Plate, Group 4D (2)	2
6	99.M0066	.Bolt, M8 x 1.25 x 22MM SS	3
7	25.FF6400-12-10-CP	.Fitting, Connector -12MFF x -10MB	2
8	25.FF6400-08-10-CP	.Fitting, Connector 8MFF x 10MB	1
9	25.FF6802-08-10-CP	.Fitting, 45 Elbow -08MFF x -10MB	1
10	25.FF6801-08-08-CP	.Fitting, 90 Elbow 8MFF x 8MB	2
11	25.FF6801-06-08-CP	.Fitting, 90 Elbow 06MFF x 08MB	1
12	25.FF6400-12-08-CP	.Fitting, Connector -12MFF x -08MB	2
13	90.0522-3	.Bolt, 5/16-18 USS x 2-3/4 SS	2
14	99.A05N-3	.Locknut, Nylon 5/16-18 SS	2
15	21.0138	.Filter, Hyd Element 25 Micron	1
16	21.0145	.Pump, Hyd. Hydrogear	1
17	21.0146	.Motor, Hyd. Parker	1
18	20.0365	.Hose, 3/4x71.00 SAE 100R17AR.	1
19	20.0368	.Hose, 1/2x21.00 SAE 100R17AR.	1
20	20.0369	.Hose, 1/2x16.00 SAE 100R17AR.	1
21	20.0370	.Hose, 3/8x25.00 SAE 100R17AR.	1
22	20.0376	.Hose, 3/4x69.00 SAE 100R17AR.	1

# PARTS

## ILLUSTRATED DRAWING 70.8211 Optional 12V Actuator



# PARTS

## 70.8211 Optional 12V Actuator

REF.	PART NO.	DESCRIPTION	QTY.
1	03.0610	Clevis Pin, 3/8 X 1-1/4 ZP	2
2	02.CP0306	Cotter Pin, 3/32 X 3/4	2
3	30.0037	Tyton Tie, #50 .18 x 8 Black	5
4	37.0067	Actuator, 12V	1
5	32.0211	Harness, Wire Actuator	1