

Parts Manual

MJ840

Contour Mower



Revised 10/04/22
09.20034 Rev. 03



500 Venture Drive
Orrville Oh 44667
www.ventrac.com

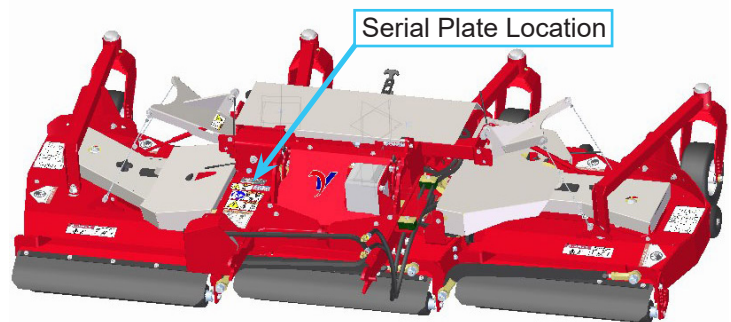
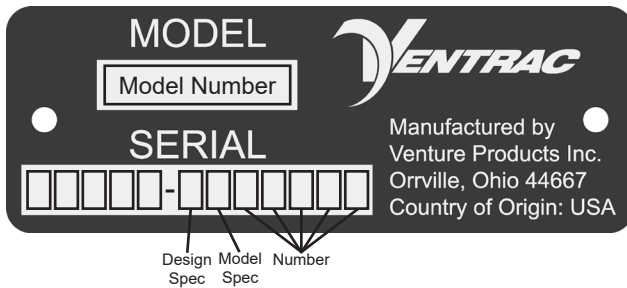
View all manuals



Visit ventrac.com/manuals for the latest version of this parts manual.

A downloadable operator's manual is also available.

Serial Number Description



Notes

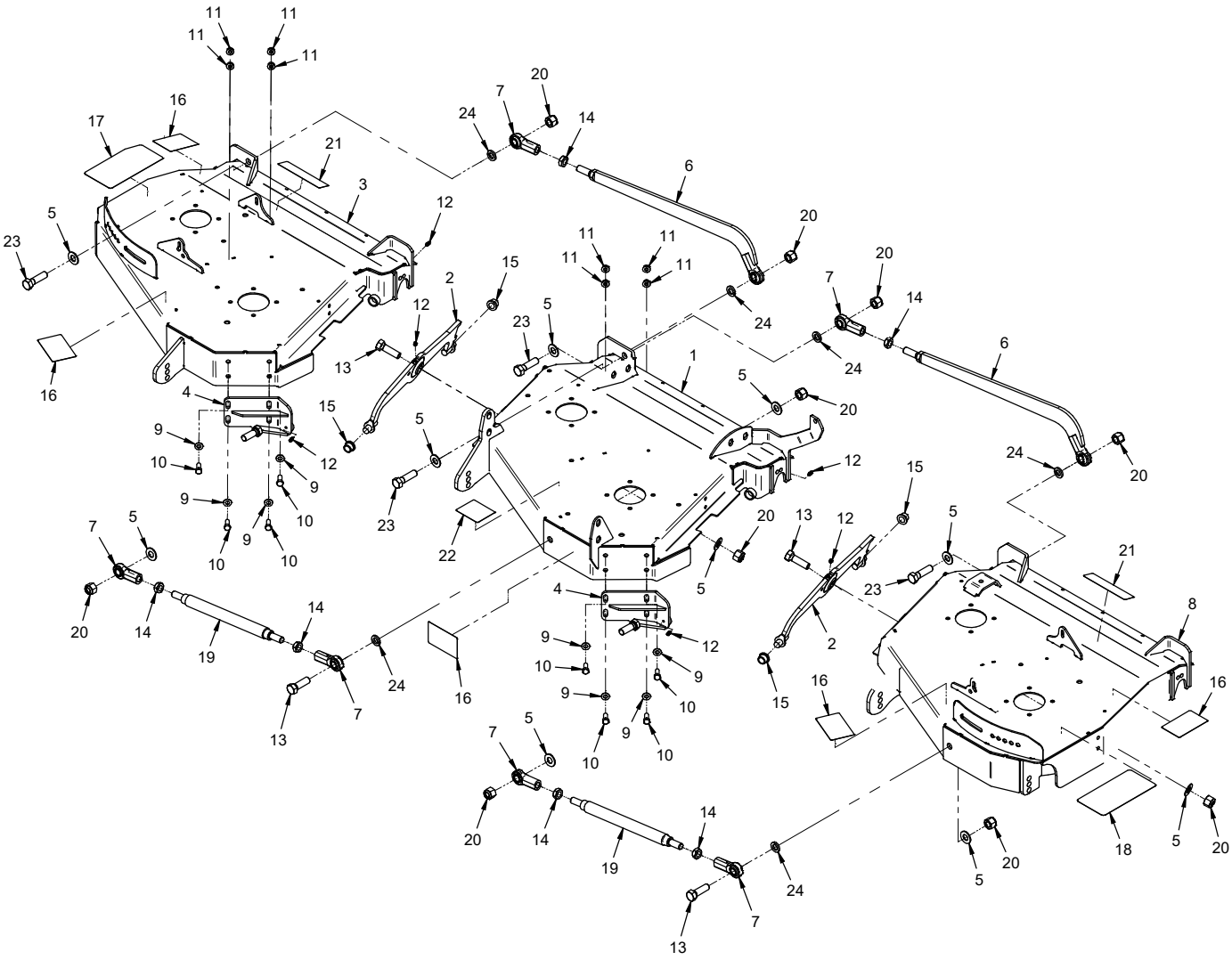
- If any component requires replacement, use only original Ventrac replacement parts.
- When ordering new components, be sure to order all required safety decals. All current safety decals must be affixed to the replacement components prior to installation of the component.

TABLE OF CONTENTS

PARTS	PAGE 4
Decks & Connector Links.....	4
Carrier Frame.....	6
Hitch Arms.....	8
Drive Shaft & Gearbox.....	10
Deck Belts (Serial # 1001-1447).....	12
Deck Belts (Serial # 1448-).....	14
Spindles.....	16
Shields.....	18
Front Anti-Scalp Rollers.....	20
Rear Rollers.....	22
Discharge Deflectors & Rear Belting.....	24
Deck Wing Lift Arms.....	26
Deck Wing Lift Arm Hydraulics.....	28
70.8087 Mulching Kit.....	30

PARTS

ILLUSTRATED DRAWING Decks & Connector Links



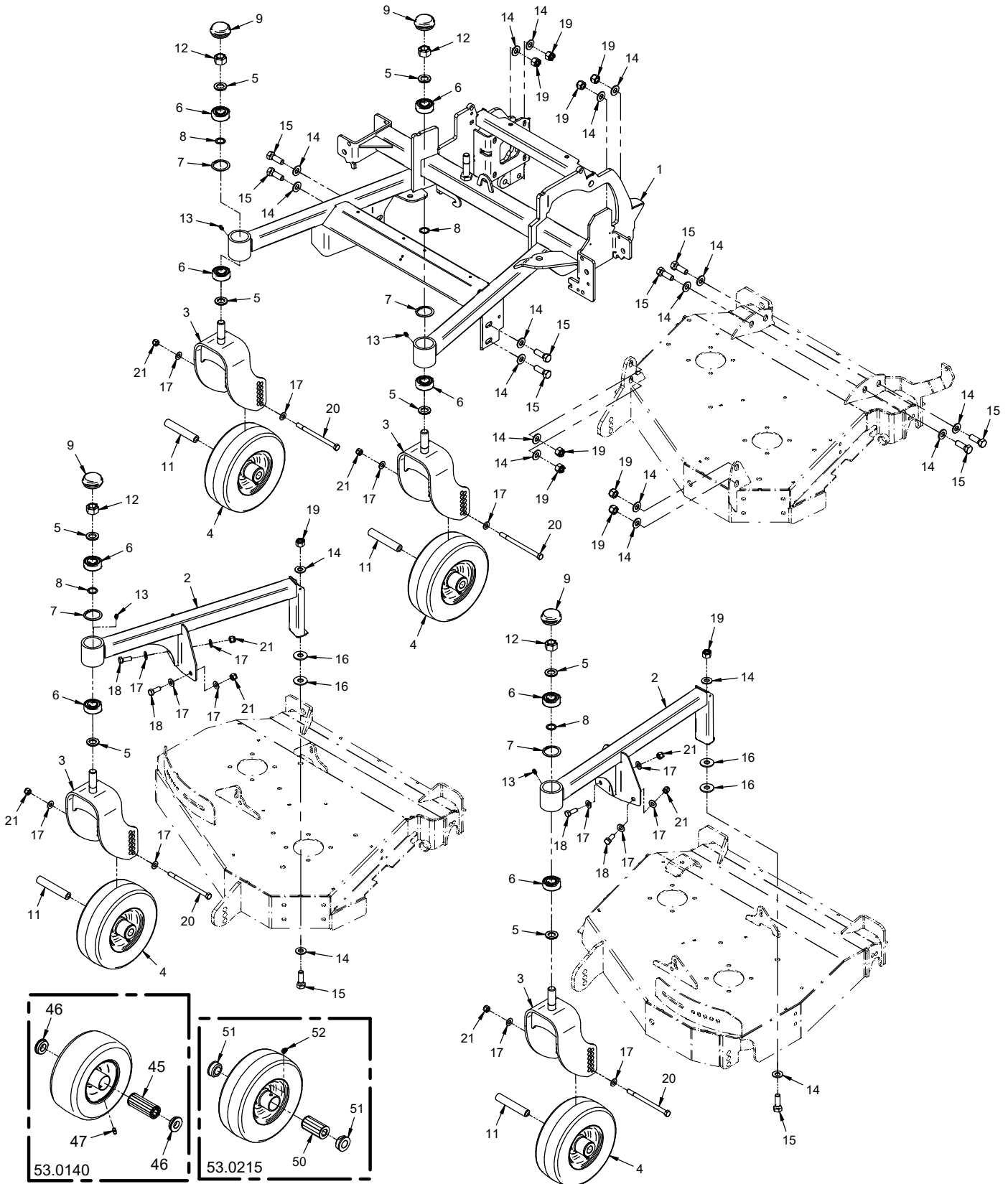
PARTS

Decks & Connector Links

REF.	PART NO.	DESCRIPTION	QTY.
1	62.1293	.DECK, MOWER WELDMENT CENTER MJ (Serial # 1001-2339)	1
1	62.1492	.DECK, MOWER WELDMENT CENTER MJ (Serial # 2340-)	1
2	62.1302	.FRAME, PIVOT YOKE - MJ840 (Serial # 1001-2339)	2
2	62.1489	.FRAME, PIVOT YOKE - MJ840 (Serial # 2340-)	2
3	62.1295	.DECK, MOWER WELDMENT RIGHT (Serial # 1001-2339)	1
3	62.1494	.DECK, MOWER WELDMENT RIGHT (Serial # 2340-)	1
4	64.1401	.PLATE, FRONT YOKE ANCHOR	2
5	95.10	.WASHER, FLAT 5/8 SAE (Serial # 1001-4211)	16
5	95.10	.WASHER, FLAT 5/8 SAE (Serial # 4212-)	10
6	42.0535	.LINK, DECK CONNECT REAR	2
7	43.010	.ROD END, 5/8 SPHERICAL	6
8	62.1294	.DECK, MOWER WELDMENT LEFT (Serial # 1001-2339)	1
8	62.1493	.DECK, MOWER WELDMENT LEFT (Serial # 2340-)	1
9	95.06	.WASHER, FLAT 3/8 SAE	8
10	90.0608	.BOLT, 3/8-16 USS X 1	8
11	99.SF06	.NUT, SRF 3/8-16 USS	8
12	29.GF0001	.GREASE FTG, 1/4 SAE ST	6
13	91.1016	.BOLT, 5/8-18 SAE X 2 (Serial # 1001-4211)	8
13	91.1016	.BOLT, 5/8-18 SAE X 2 (Serial # 4212-)	4
14	99.E0011	.NUT, JAM 5/8-18 SAE	6
15	85.B0065	.BUSHING, 5/8 IDX13/16 ODX5/8LG	4
16	00.0123	.DECAL, KEEP HANDS AND FEET AWAY (Serial # 1001-4163)	5
16	00.0628	.DECAL, CUTTING HAZARD MOWER BLADE (Serial # 4164-)	5
17	00.0260	.DECAL, HT ADJUST, RIGHT	1
18	00.0262	.DECAL, HT ADJUST, LEFT	1
19	42.0534	.LINK, DECK CONNECT FRONT	2
20	99.A10NFN	.LOCKNUT, NYLON 5/8-18 SAE ZP	10
21	00.0265	.DECAL, THROWN OBJECT HAZARD (Serial # 1001-4163)	2
21	00.0633	.DECAL, THROWN OBJECT HAZARD (Serial # 4164-)	2
22	00.0062	.DECAL, DANGER SHIELD MISSING (Serial # 1001-4163)	1
22	00.0625	.DECAL, SHIELD MISSING (Serial # 4164-)	1
23	91.1018	.BOLT, 5/8-18 SAE X 2-1/4 (Serial # 4212-)	4
24	96.10	.WASHER, LOCK 5/8 (Serial # 4212-)	6

PARTS

ILLUSTRATED DRAWING Carrier Frame



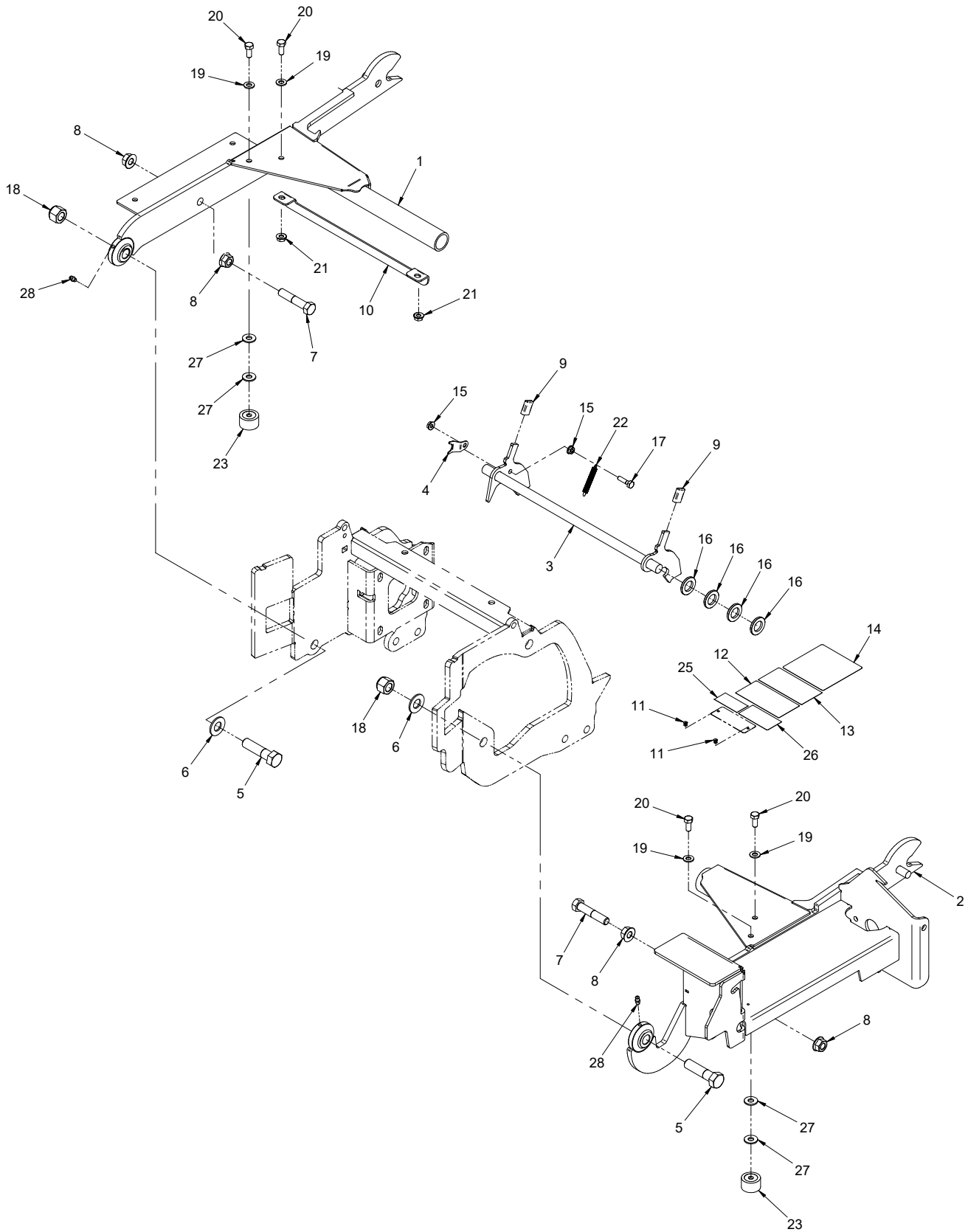
PARTS

Carrier Frame

REF.	PART NO.	DESCRIPTION	QTY.
1	62.1298	.FRAME, CARRIER MAIN - MJ840 (Serial # 1001-1803).	1
1	62.1424	.FRAME, CARRIER MAIN - MJ840 (Serial # 1804-).	1
2	62.1299	.FRAME, TIRE SWIVEL MJ	2
3	50.0187	.SPINDLE, TIRE SWIVEL MJ	4
4	53.0140	.WHEEL, ASM 9 X 3.5 X 4 FLATFREE (Serial # 1001-4355)	4
4	53.0215	.WHEEL, ASM 9 X 3.5 X 4 FLATFREE (Serial # 4356-)	4
5	99.B0057-2	.WASHER, MACH 3/4 X 1-1/4 10 GA ZP	8
6	55.0023	.BEARING, BALL .75 ID X 1.78 OD	8
7	04.0013	.SNAP RING, INT .068 X 1.75	4
8	99.B0052	.SHIM, STEEL 3/4 X 1 X .062	4
9	53.0080	.DUST CAP, BEARING MOWER CASTER	4
11	50.0055	.TUBE, AXLE-WHEEL LM	4
12	99.A12NF	.LOCKNUT, STOVER 3/4-16 SAE	4
13	29.GF0001	.GREASE FTG, 1/4 SAE ST	4
14	95.08	.WASHER, FLAT 1/2 SAE	20
15	90.0812	.BOLT, 1/2-13 USS X 1 1/2	10
16	94.08	.WASHER, FLAT 1/2 USS	4
17	95.06	.WASHER, FLAT 3/8 SAE	16
18	90.0608	.BOLT, 3/8-16 USS X 1	4
19	99.A08N	.LOCKNUT, NYLON 1/2-13 USS	10
20	90.0644	.BOLT, 3/8-16 USS X 5 1/2	4
21	99.A06N	.LOCKNUT, NYLON 3/8-16 USS	8
45	55.0071	.BEARING, 3/4 ROLLER 3.25" LONG	1
46	55.0072	.BEARING, RETAINER 3/4"	2
47	29.GF0001	.GREASE FTG, 1/4 SAE ST	1
50	55.0115	.BEARING, ROLLER 2.50" LONG	1
51	55.0114	.RETAINER, ROLLER BEARING 3/4"	2
52	29.GF0003	.GREASE FTG, 1/4 SAE 45	1

PARTS

ILLUSTRATED DRAWING Hitch Arms



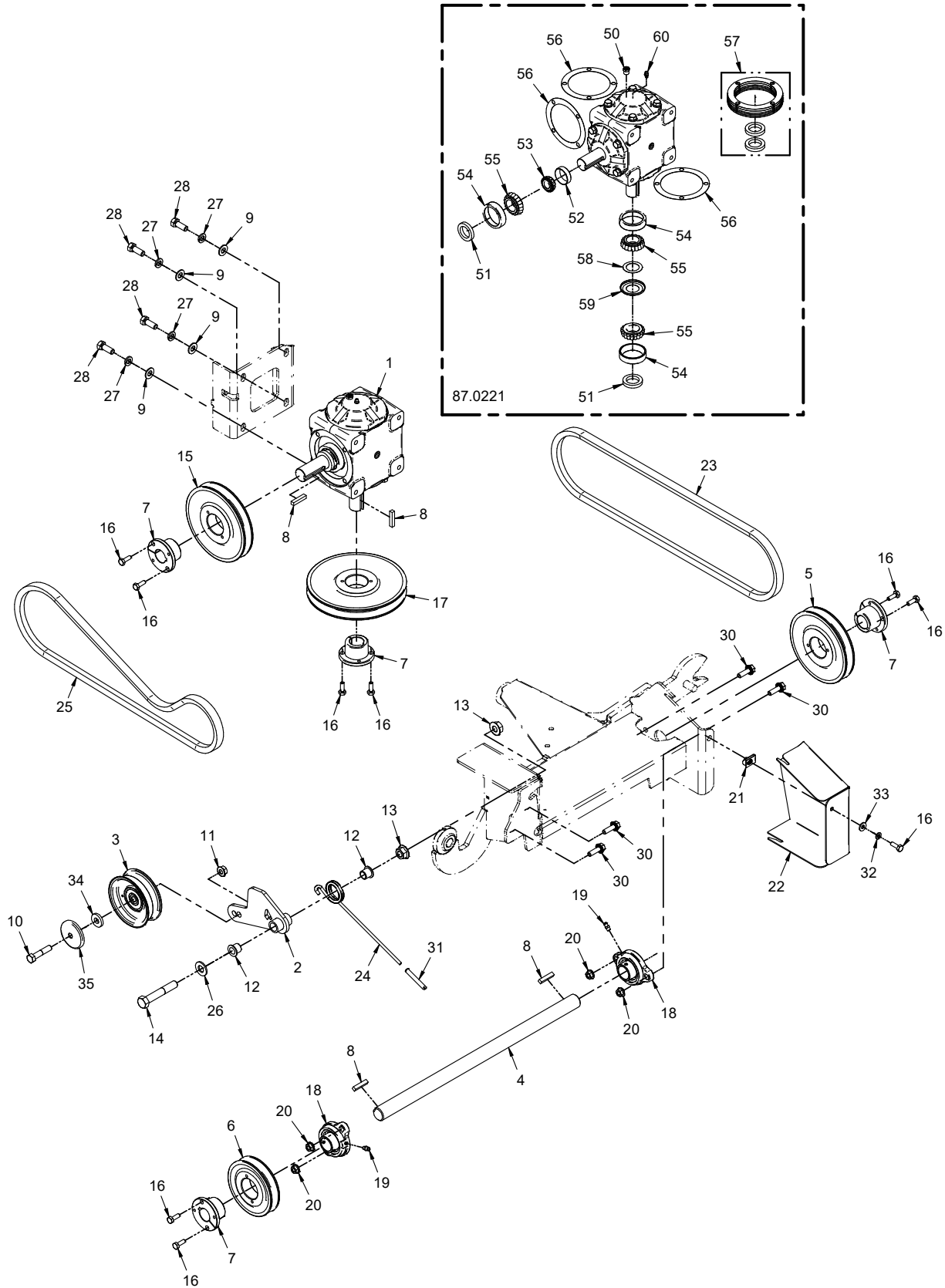
PARTS

Hitch Arms

REF.	PART NO.	DESCRIPTION	QTY.
1	62.1296	.HITCH, ARM RIGHT - MJ840	1
2	62.1297	.HITCH, ARM LEFT - MJ840	1
3	42.0533	.LATCH, DECK PIVOT MJ	1
4	64.1411	.BRACKET, DECK PIVOT LATCH MJ	1
5	91.1020	.BOLT, 5/8-18 SAE X 2 1/2	2
6	95.10	.WASHER, FLAT 5/8 SAE	2
7	90.0820	.BOLT, 1/2-13 USS X 2 1/2	2
8	99.SF08	.NUT, SRF 1/2-13 USS	4
9	06.0044	.CAP, PLASTIC 1/8 X 1/2 X 7/8	2
10	42.0450	.LINK, SPACING - LIFT ARMS	1
11	04.0007	.RIVET, POP DOME 1/8 X 1/8 S.S.	2
12	00.0217	.DECAL, WARNING READ OWNERS MANUAL (Serial # 1001-4163)	1
12	00.0619	.DECAL, READ OWNERS MANUAL (Serial # 4164-)	1
13	00.0220	.DECAL, GENERAL SAFETY (Serial # 1001-4163)	1
14	00.0101	.DECAL, HAZARD-MOVING PART (Serial # 1001-4163)	1
14	00.0626	.DECAL, ENTANGLEMENT HAZARD (Serial # 4164-)	1
15	99.SF04	.NUT, SRF 1/4-20 USS	2
16	99.B0057-2	.WASHER, MACH 3/4 X 1-1/4 10 GA ZP	4
17	90.0408	.BOLT, 1/4-20 USS X 1	1
18	99.A10NFN	.LOCKNUT, NYLON 5/8-18 SAE ZP	2
19	95.05	.WASHER, FLAT 5/16 SAE	4
20	90.0506	.BOLT, 5/16-18 USS X 3/4	4
21	99.SF05	.NUT, SRF 5/16-18 USS	2
22	41.0096	.SPRING, EXT 5/16 OD X 2-1/4	1
23	05.0118	.BUMPER, RUBBER CYLINDRICAL	2
25	00.0100	.DECAL, MADE IN USA	1
26	00.0219	.DECAL, WARNING DO NOT REACH (Serial # 1001-4163)	1
27	94.05	.WASHER, FLAT 5/16 USS	4
28	29.GF0001	.GREASE FTG, 1/4 SAE ST	2

PARTS

ILLUSTRATED DRAWING Drive Shaft & Gearbox



PARTS

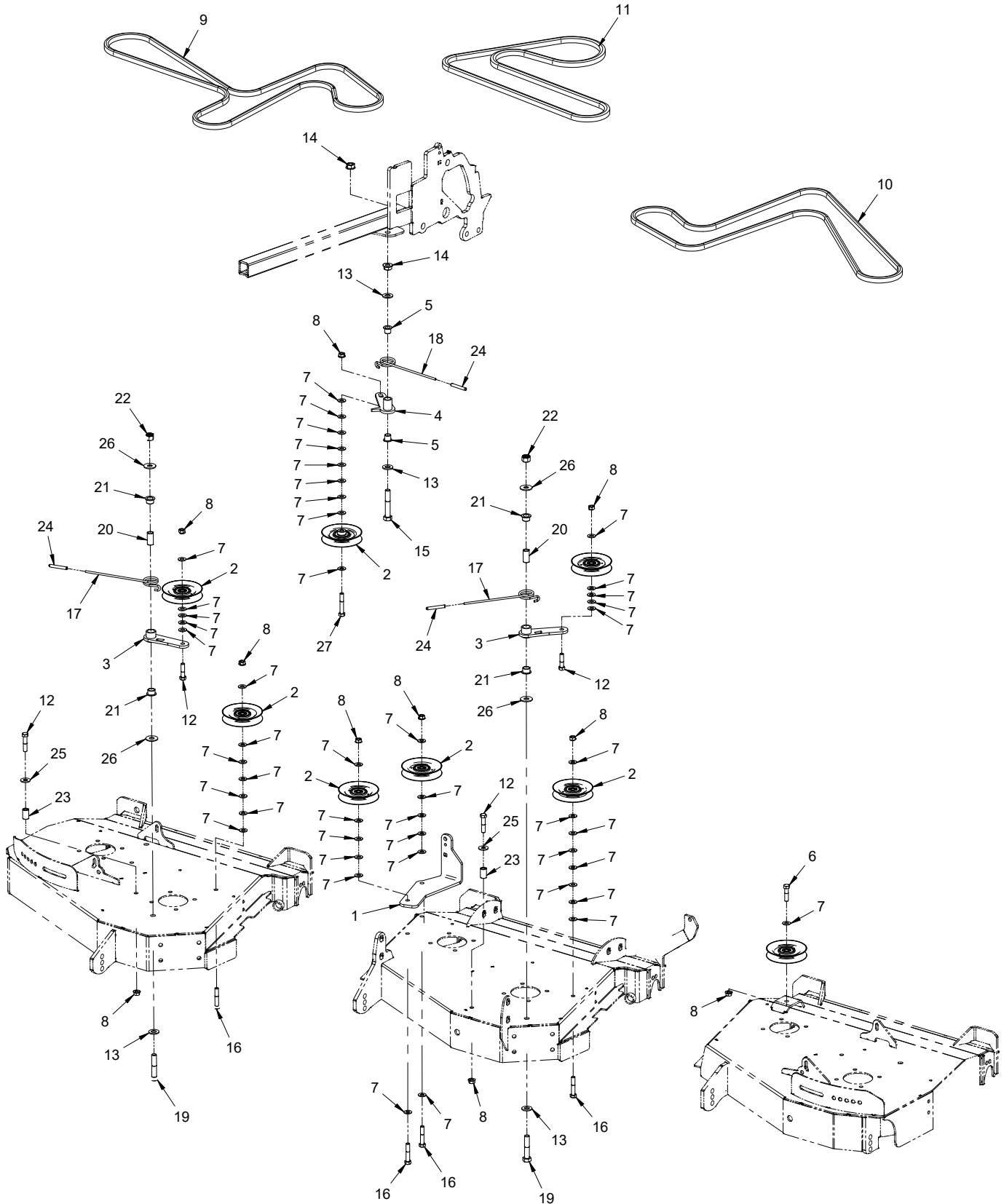
Drive Shaft & Gearbox

REF.	PART NO.	DESCRIPTION	QTY.
1	87.0221	GEARBOX	1
2	40.0354	IDLER ARM, GEAR BOX MJ	1
3	83.0013	PULLEY, IDLER FLAT 3/8 X 3 1/2	1
4	42.0536	SHAFT, DRIVE HITCH ARM MJ	1
5	83.BK55H	PULLEY, 5.5" H-BUSHING	1
6	83.BK45H	PULLEY, 4.5" H-BUSHING	1
7	83.H16S	BUSHING, 1" SPLIT 1/4" KEY	4
8	85.K0410	KEY, 1/4 X 1-1/4	4
9	95.06	WASHER, FLAT 3/8 SAE	4
10	90.0614	BOLT, 3/8-16 USS X 1 3/4	1
11	99.SF06	NUT, SRF 3/8-16 USS	1
12	85.B0027	BUSHING, 1/2 ID X 5/8 OD X 5/8	2
13	99.SF08	NUT, SRF 1/2-13 USS	2
14	90.0824	BOLT, 1/2-13 USS X 3	1
15	83.BK60H	PULLEY, 6" H-BUSHING	1
16	90.0406	BOLT, 1/4-20 USS X 3/4	9
17	83.BK72H	PULLEY, 7.2" H-BUSH	1
18	55.FB16016-1	BEARING, FLANGE BLOCK 1"	2
19	29.GF0001	GREASE FTG, 1/4 SAE ST	2
20	99.SF05	NUT, SRF 5/16-18 USS	4
21	99.E0046	NUT, "U" 1/4-20 EXTRUDED	1
22	60.1034	SHIELD, DRIVE PULLEY - MJ	1
23	81.B045	BELT, B45	1
24	41.0084	SPRING, TORSION LH 1-3/16 IDX7	1
25	81.B045	BELT, B45	1
26	95.08	WASHER, FLAT 1/2 SAE	1
27	96.06	WASHER, LOCK 3/8	4
28	90.0608	BOLT, 3/8-16 USS X 1	4
30	99.SF0508	BOLT, SRF 5/16-18 USS X 1	4
31	06.0060	CAP, VINYL 3/16 ID X 2 LONG	1
32	96.04	WASHER, LOCK 1/4	1
33	95.04	WASHER, FLAT 1/4 SAE	1
34	95.06	WASHER, FLAT 3/8 SAE (Serial # 1001-1447)	1
34	99.G0014	WASHER, 3/8 USS FW .165 THK (Serial # 1448-2355)	1
35	60.1056	COVER, PULLEY (Serial # 1448-)	1
50	23.0163	VALVE, RELIEF	1
51	89.0094	SEAL, SHAFT	2
52	55.0089	BEARING, CUP SMALL	1
53	55.0090	BEARING, CONE SMALL	1
54	55.0091	BEARING, CUP LARGE	3
55	55.0092	BEARING, CONE LARGE	3
56	89.0096	GASKET, .005, FOR 87.0221	A/R^
56	89.0097	GASKET, .015, FOR 87.0221	A/R^
56	89.0098	GASKET, .003, FOR 87.0221	A/R^
57	89.0099	KIT, SEAL & GASKET FOR 87.0221	1
58	99.B0140	SHIM, 0.010"	1
59	89.0109	NILOS RING, GEARBOX	1
60	29.GF0019	GREASE FTG, 3/16 SAE	1

^ When replacing gaskets, measure the thickness of the gasket stack that was removed from the gearbox and replace with a stack of equal thickness.

PARTS

ILLUSTRATED DRAWING Deck Belts (Serial # 1001-1447)



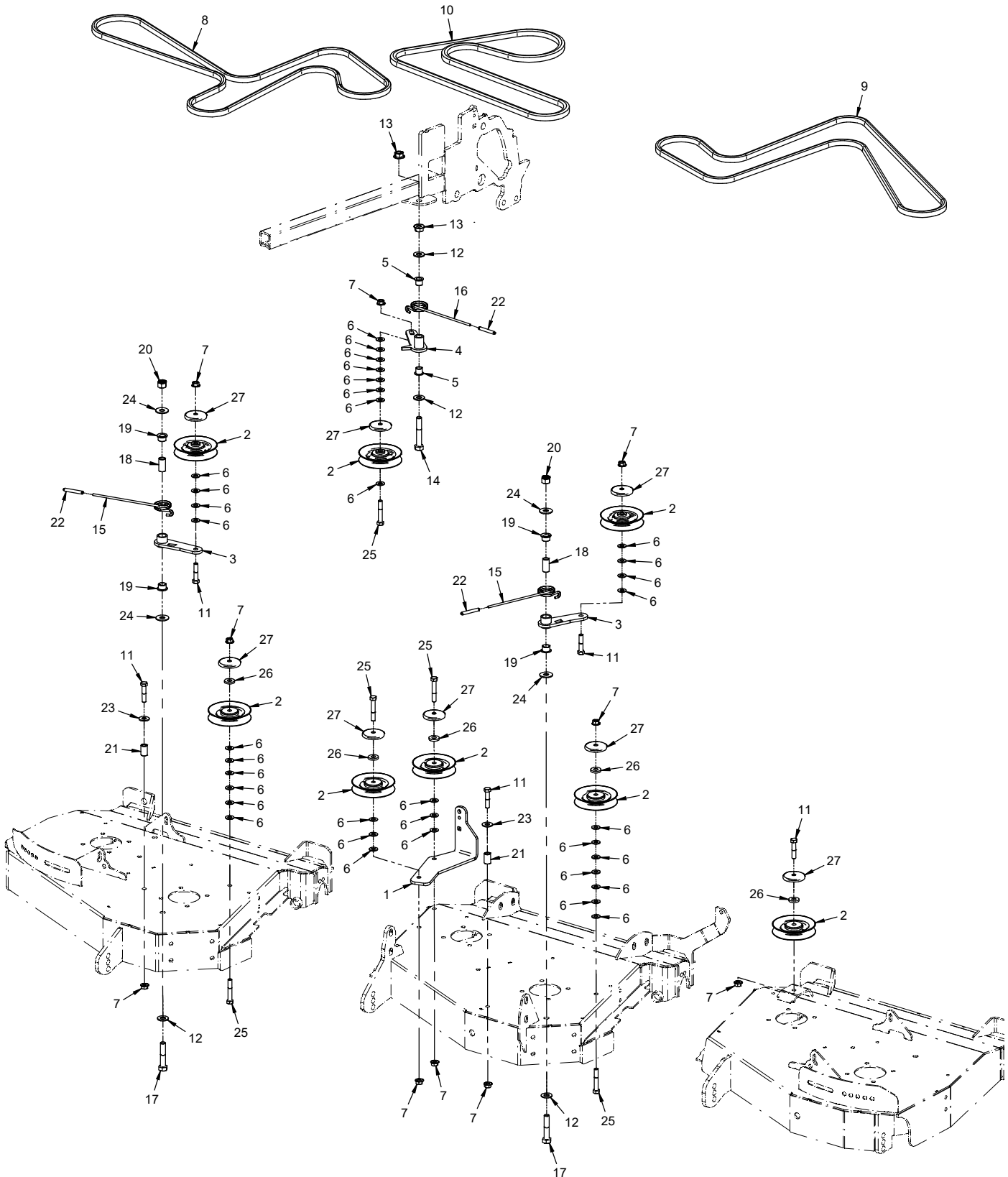
PARTS

Deck Belts (Serial # 1001-1447)

REF.	PART NO.	DESCRIPTION	QTY.
1	64.1412	.BRACKET, IDLER MOUNT	1
2	83.0038	.PULLEY, V-IDLER 4-1/4 X 3/8 ID	8
3	40.0355	.IDLER ARM, OUTER DECK MJ	2
4	40.0353	.IDLER ARM, CENTER DECK MJ	1
5	85.B0027	.BUSHING, 1/2 ID X 5/8 OD X 5/8	2
6	90.0612	.BOLT, 3/8-16 USS X 1 1/2	1
7	95.06	.WASHER, FLAT 3/8 SAE	48
8	99.SF06	.NUT, SRF 3/8-16 USS	10
9	81.AA096	.BELT, AA96	1
10	81.AA096	.BELT, AA96	1
11	81.BB078	.BELT, BB78	1
12	90.0614	.BOLT, 3/8-16 USS X 1 3/4	4
13	95.08	.WASHER, FLAT 1/2 SAE	4
14	99.SF08	.NUT, SRF 1/2-13 USS	2
15	90.0824	.BOLT, 1/2-13 USS X 3	1
16	90.0616	.BOLT, 3/8-16 USS X 2	4
17	41.0084	.SPRING, TORSION LH 1-3/16 IDX7	2
18	41.0083	.SPRING, TORSION RH 1-3/16 IDX7	1
19	90.0820	.BOLT, 1/2-13 USS X 2 1/2	2
20	64.1415	.BUSHING, ANTI-SCALP/IDLER SS	2
21	85.B0088	.BUSHING, 5/8 ID X 3/4 OD X 1/2	4
22	99.A08N	.LOCKNUT, NYLON 1/2-13 USS	2
23	64.1453	.BUSHING, BELT TENSIONER	2
24	06.0060	.CAP, VINYL 3/16 ID X 2 LONG	3
25	94.06	.WASHER, FLAT 3/8 USS	2
26	94.07	.WASHER, FLAT 7/16 USS	4
27	90.0618	.BOLT, 3/8-16 USS X 2 1/4	1

PARTS

ILLUSTRATED DRAWING Deck Belts (Serial # 1448-)



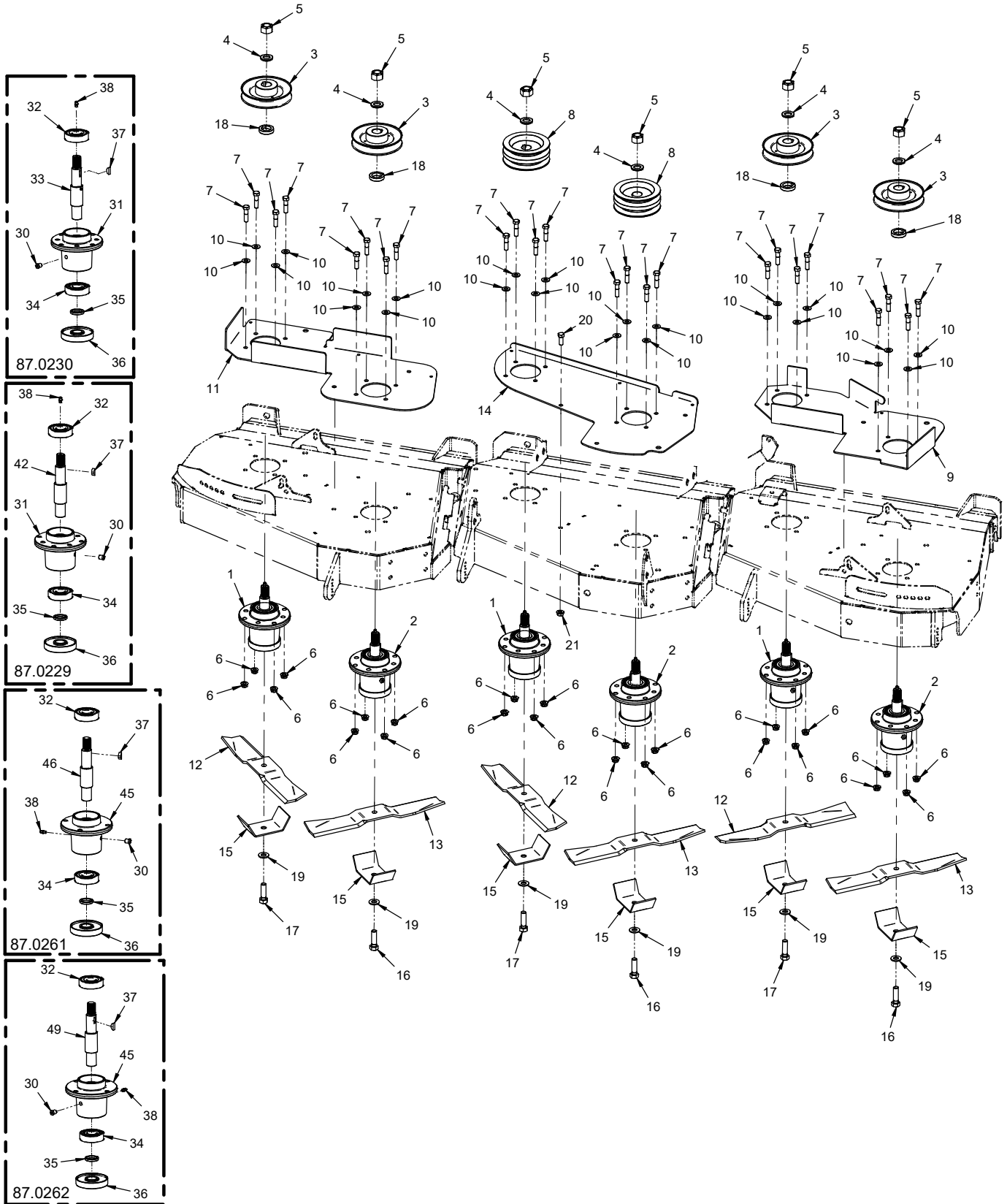
PARTS

Deck Belts (Serial # 1448-)

REF.	PART NO.	DESCRIPTION	QTY.
1	64.1412	.BRACKET, IDLER MOUNT	1
2	83.0038	.PULLEY, V-IDLER 4-1/4 X 3/8 ID	8
3	40.0355	.IDLER ARM, OUTER DECK MJ	2
4	40.0353	.IDLER ARM, CENTER DECK MJ	1
5	85.B0027	.BUSHING, 1/2 ID X 5/8 OD X 5/8	2
6	95.06	.WASHER, FLAT 3/8 SAE	35
7	99.SF06	.NUT, SRF 3/8-16 USS	10
8	81.AA096	.BELT, AA96	1
9	81.AA096	.BELT, AA96	1
10	81.BB078	.BELT, BB78	1
11	90.0614	.BOLT, 3/8-16 USS X 1 3/4	5
12	95.08	.WASHER, FLAT 1/2 SAE	4
13	99.SF08	.NUT, SRF 1/2-13 USS	2
14	90.0824	.BOLT, 1/2-13 USS X 3	1
15	41.0084	.SPRING, TORSION LH 1-3/16 IDX7	2
16	41.0083	.SPRING, TORSION RH 1-3/16 IDX7	1
17	90.0820	.BOLT, 1/2-13 USS X 2 1/2	2
18	64.1415	.BUSHING, ANTI-SCALP/IDLER SS	2
19	85.B0088	.BUSHING, 5/8 ID X 3/4 OD X 1/2	4
20	99.A08N	.LOCKNUT, NYLON 1/2-13 USS	2
21	64.1453	.BUSHING, BELT TENSIONER	2
22	06.0060	.CAP, VINYL 3/16 ID X 2 LONG	3
23	94.06	.WASHER, FLAT 3/8 USS	2
24	94.07	.WASHER, FLAT 7/16 USS	4
25	90.0618	.BOLT, 3/8-16 USS X 2 1/4	5
26	99.G0014	.WASHER, 3/8 USS FW .165 THK (Serial # 1448-2339)	5
27	60.1056	.COVER, PULLEY	8

PARTS

ILLUSTRATED DRAWING Spindles



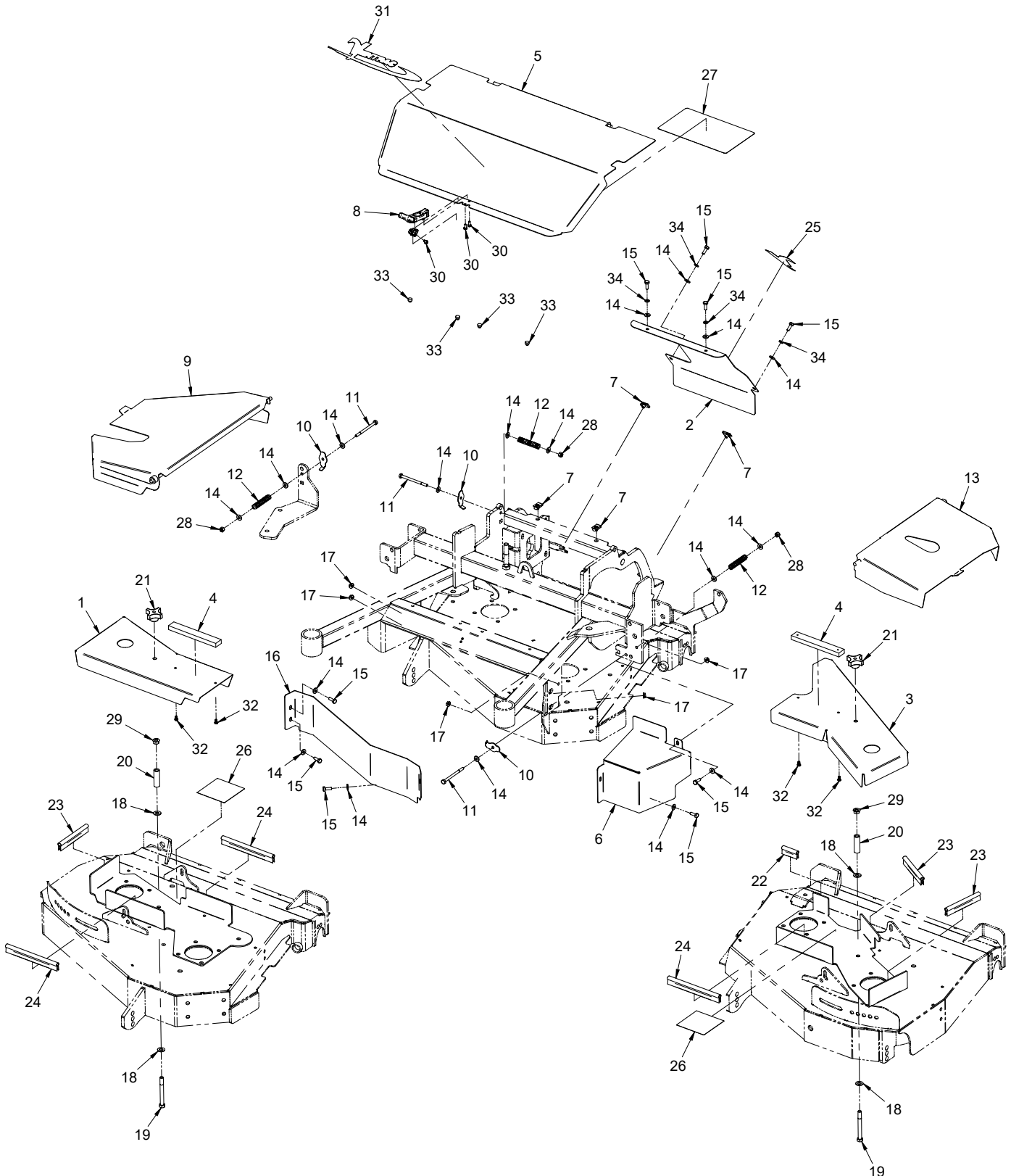
PARTS

Spindles

REF.	PART NO.	DESCRIPTION	QTY.
1	87.0229	.SPINDLE, ASM RH 25MM AL (Serial # 1001-4403)	3
1	87.0261	.SPINDLE, ASM RH 25MM AL (Serial # 4404-)	3
2	87.0230	.SPINDLE, ASM LH 25MM AL (Serial # 1001-4403)	3
2	87.0262	.SPINDLE, ASM LH 25MM AL (Serial # 4404-)	3
3	83.0050	.PULLEY, 5-1/8, 25MM STR. BORE	4
4	99.B0057-2	.WASHER, MACH 3/4 X 1-1/4 10 GA ZP	6
5	99.A12NF	.LOCKNUT, STOVER 3/4-16 SAE	6
6	99.E0082	.NUT, LOCKING FLANGE 3/8 - 16	24
7	90.0612	.BOLT, 3/8-16 USS X 1 1/2	24
8	83.0055	.PULLEY, 2BK50 25MM BORE	2
9	64.1408	.BRACKET, SPINDLE MOUNT LEFT (Serial # 1001-2339)	1
9	64.1985	.BRACKET, SPINDLE MOUNT LEFT (Serial # 2340-)	1
10	95.06	.WASHER, FLAT 3/8 SAE	24
11	64.1407	.BRACKET, SPINDLE MOUNT RIGHT (Serial # 1001-2339)	1
11	64.1984	.BRACKET, SPINDLE MOUNT RIGHT (Serial # 2340-)	1
12	79.0079	.BLADE, 15.00X1/2 RH F LOWLIFT	3
13	79.0080	.BLADE, 15.00X1/2 LH F LOWLIFT	3
14	64.1409	.BRACKET, SPINDLE MOUNT CENTER (Serial # 1001-2059)	1
14	64.1902	.BRACKET, SPINDLE MOUNT CENTER (Serial # 2060-)	1
15	64.2002	.GUARD, SPINDLE/ANTI-STRING	6
16	91.0814-8L	.BOLT, 1/2-20 X 1 3/4 LH GR8	3
17	91.0814-8	.BOLT, 1/2-20 X 1 3/4 GR8	3
18	85.B0080	.BUSHING, 1-1/2 OD, 1 ID	4
19	95.08	.WASHER, FLAT 1/2 SAE	6
20	90.0608	.BOLT, 3/8-16 USS X 1 (Serial # 2060-)	1
21	99.SF06	.NUT, SRF 3/8-16 USS (Serial # 2060-)	1
30	29.GF0017	.FITTING, RELIEF	1
31	87.0209-1	.HOUSING, SPINDLE AL	1
32	55.0064	.BEARING, BALL 25 MM X 62 MM	1
33	87.0208-2	.SHAFT, SPINDLE LH	1
34	55.0064	.BEARING, BALL 25 MM X 62 MM	1
35	85.B0082	.BUSHING, SPINDLE SHAFT SPACER	1
36	87.0210	.SPINDLE, FLANGE SHIELD	1
37	85.W0406	.KEY, WOODRUFF 1/4 X 3/4	1
38	29.GF0001	.GREASE FTG, 1/4 SAE ST	1
42	87.0209-2	.SHAFT, SPINDLE RH	1
45	87.0261-1	.HOUSING, SPINDLE AL	1
46	87.0261-2	.SHAFT, SPINDLE RH	1
49	87.0262-2	.SHAFT, SPINDLE LH	1

PARTS

ILLUSTRATED DRAWING Shields



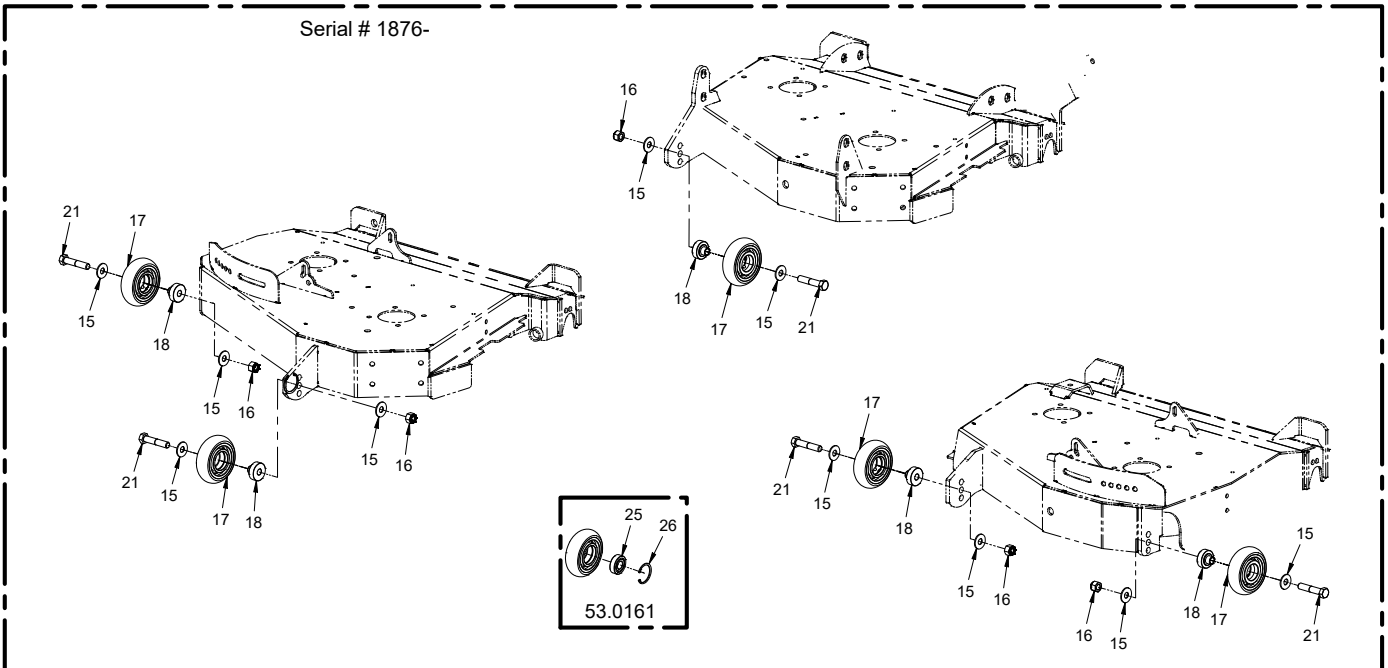
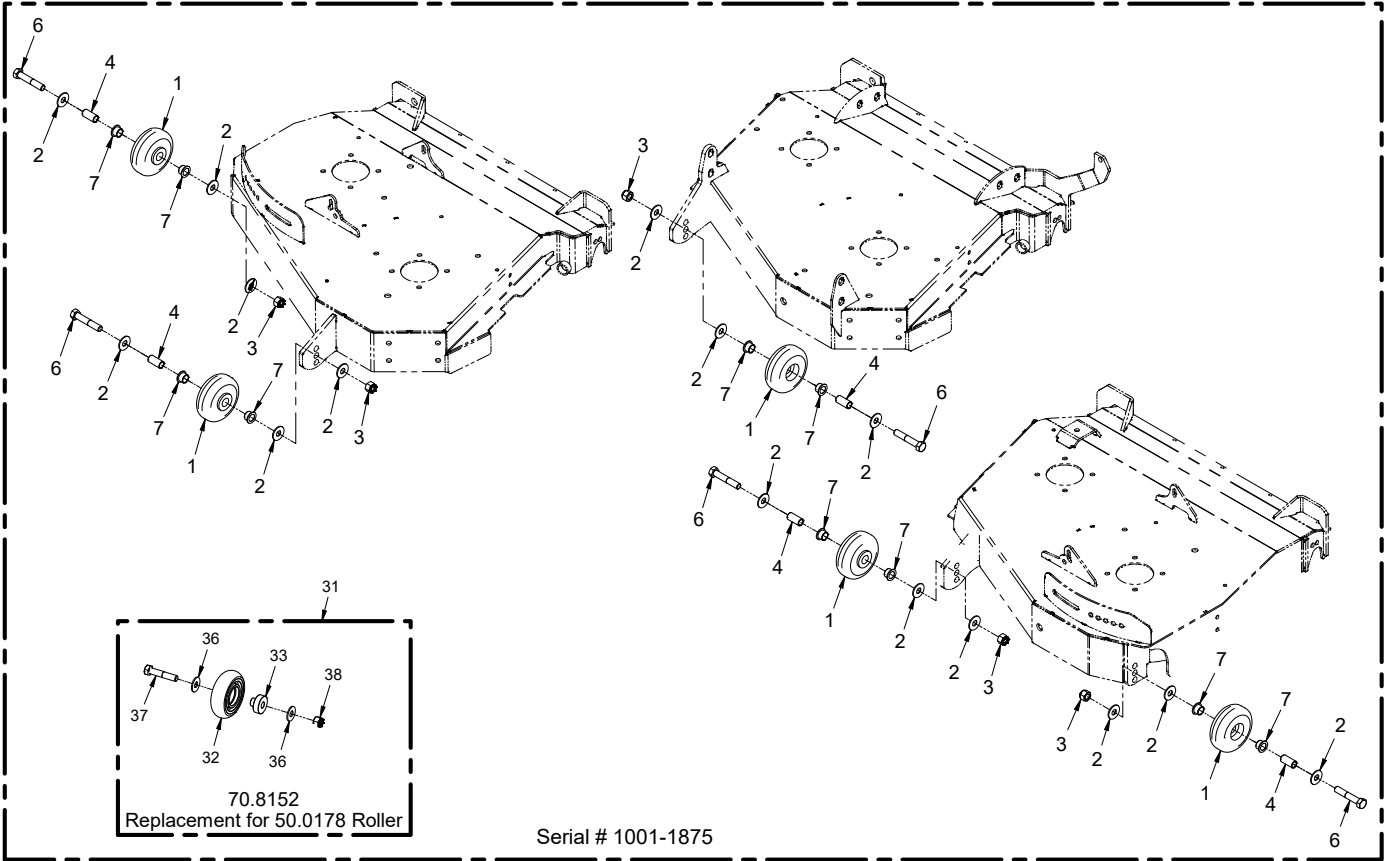
PARTS

Shields

REF.	PART NO.	DESCRIPTION	QTY.
1	60.1028	.SHIELD, DECK RIGHT	1
2	60.1033	.SHIELD, CARRIER FRAME REAR	1
3	60.1027	.SHIELD, DECK LEFT	1
4	44.0250	.SLIDE, SHIELD	2
5	60.1026	.SHIELD, CARRIER FRAME	1
6	60.1032	.SHIELD, CARRIER FRAME LEFT	1
7	99.E0046	.NUT, "U" 1/4-20 EXTRUDED	4
8	47.0127	.LATCH, RUBBER DRAW T-HANDLE	1
9	60.1029	.SHIELD, DECK HINGE RIGHT	1
10	64.1413	.BRACKET, SHIELD SPRING	3
11	90.0428	.BOLT, 1/4-20 USS X 3 1/2	3
12	41.0021	.SPRING, COMP 1/2 OD X 2-3/4 LG	3
13	60.1030	.SHIELD, DECK HINGE LEFT	1
14	95.04	.WASHER, FLAT 1/4 SAE	18
15	90.0406	.BOLT, 1/4-20 USS X 3/4	9
16	60.1031	.SHIELD, CARRIER FRAME FRONT	1
17	99.SF04	.NUT, SRF 1/4-20 USS	5
18	95.06	.WASHER, FLAT 3/8 SAE	4
19	90.0628	.BOLT, 3/8-16 USS X 3 1/2	2
20	64.1410	.BUSHING, SHIELD MOUNT	2
21	47.0213	.KNOB, 3/8-16 THRU HOLE	2
22	06.0062-2IN	.TRIM, TRIM SEAL W/BULB X 2"	1
23	06.0062-5IN	.TRIM, TRIM SEAL W/BULB X 5"	3
24	06.0062-7IN	.TRIM, TRIM SEAL W/BULB X 7"	3
25	00.0192	.DECAL, V-DECAL DIE CUT BLUE	1
26	00.0062	.DECAL, DANGER SHIELD MISSING (Serial # 1001-4163)	2
26	00.0625	.DECAL, SHIELD MISSING (Serial # 4164-)	2
27	00.0261	.DECAL, MAINTENANCE MJ (Serial # 1001-1875)	1
27	00.0398	.DECAL, MAINTENANCE MJ (Serial # 1876-)	1
28	99.A04N	.LOCKNUT, NYLON 1/4-20	3
29	99.SF06	.NUT, SRF 3/8-16 USS	2
30	99.K0072	.MACHINE SCREW, 10-24 X 1/2 ZP	3
31	00.0189	.DECAL, VENTRAC ORBITAL	1
32	99.K0105	.MACHINE SCREW, #10-32 X 3/8	4
33	05.0120	.BUMPER, NEOPRENE 10 GA - 1/4	4
34	96.04	.WASHER, LOCK 1/4	4

PARTS

ILLUSTRATED DRAWING Front Anti-Scalp Rollers



PARTS

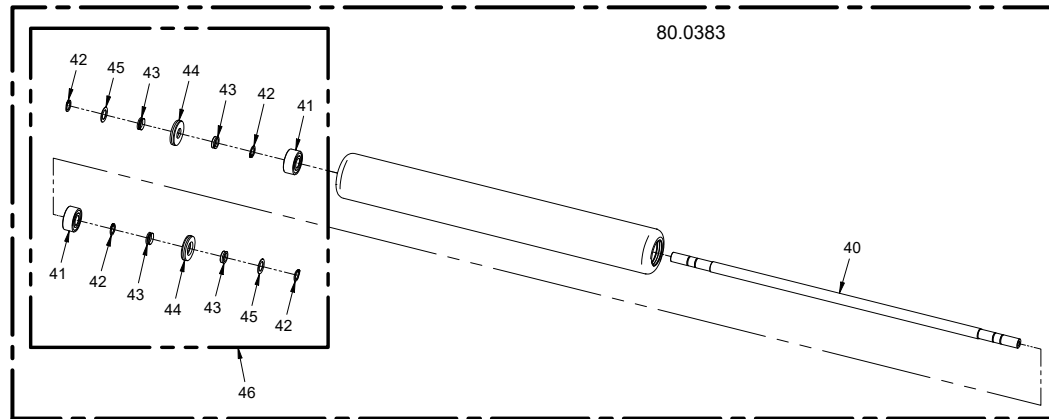
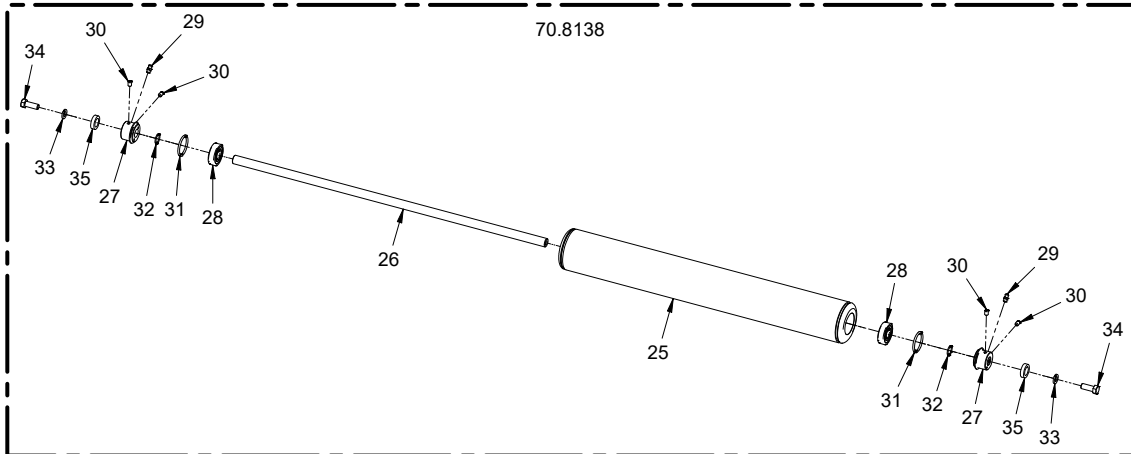
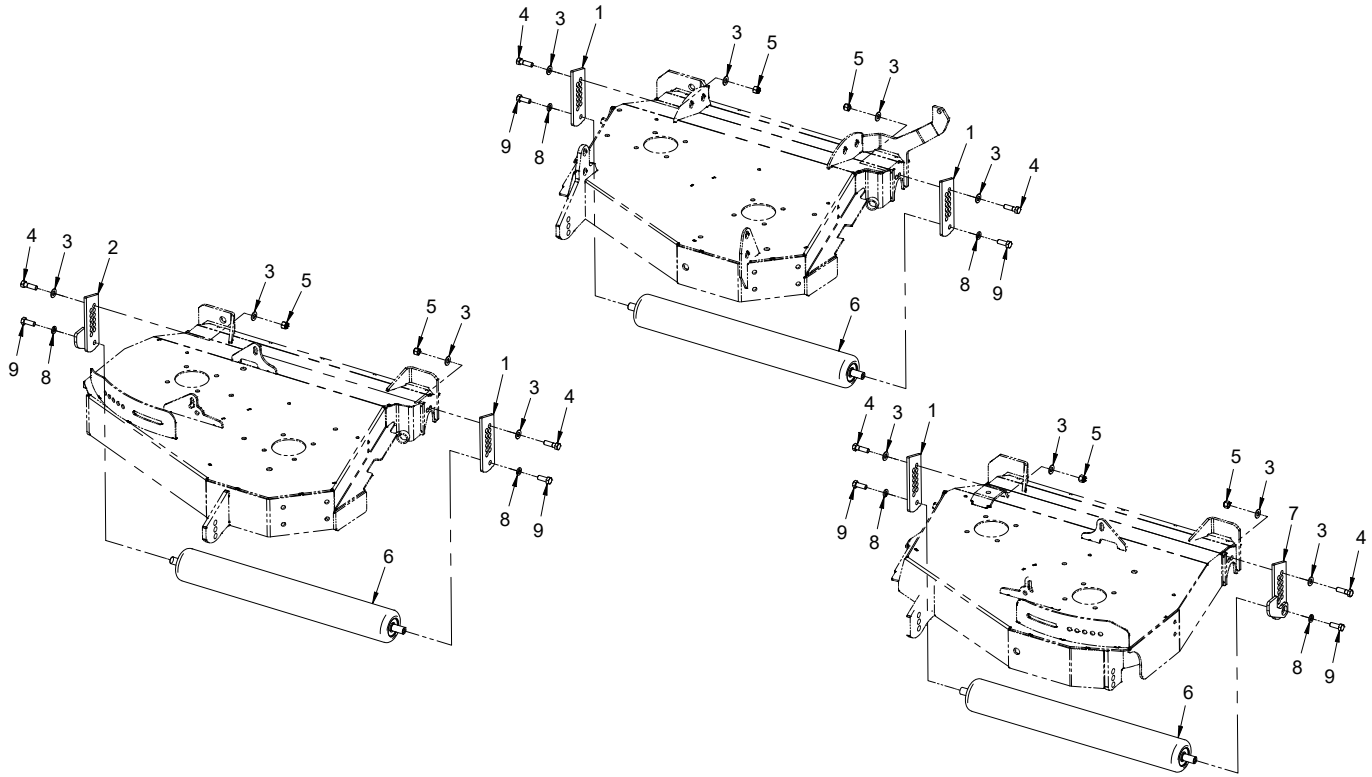
Front Anti-Scalp Rollers

REF.	PART NO.	DESCRIPTION	QTY.
1	50.0178	.ROLLER, 4" X 1.625 BLACK UHMW (Serial # 1001-1875)	5
2	94.07	.WASHER, FLAT 7/16 USS	15
3	99.A08N	.LOCKNUT, NYLON 1/2-13 USS	5
4	64.1415	.BUSHING, .495ID X5/8OD X1-9/32 SS (Serial # 1001-1875)	5
6	90.0822	.BOLT, 1/2-13 USS X 2 3/4 (Serial # 1001-1875)	5
7	85.B0088	.BUSHING, 5/8 ID X 3/4 OD X 1/2 (Serial # 1001-1875)	10
15	94.07	.WASHER, FLAT 7/16 USS	10
16	99.A08N	.LOCKNUT, NYLON 1/2-13 USS	5
17	53.0161	.WHEEL, 4" OD COMPLETE (Serial # 1876-)	5
18	50.0192	.BUSHING, ANTI-SCALP WHEEL (Serial # 1876-)	5
21	90.0820	.BOLT, 1/2-13 USS X 2-1/2 (Serial # 1876-)	5
25	55.0094	.BEARING, BALL 17 X 40MM 2RSTFP	1
26	04.0033	.SNAP RING, INT 1-9/16 BORE	1
31	70.8152	.KIT, ANTI-SCALP WHEEL MJ840	5
32	53.0161	.WHEEL, 4" OD COMPLETE	1
33	50.0192	.BUSHING, ANTI-SCALP WHEEL	1
36	94.07	.WASHER, FLAT 7/16 USS	2
37	90.0820	.BOLT, 1/2-13 USS X 2-1/2	1
38	99.A08N	.LOCKNUT, NYLON 1/2-13 USS	1

PARTS

ILLUSTRATED DRAWING

Rear Rollers



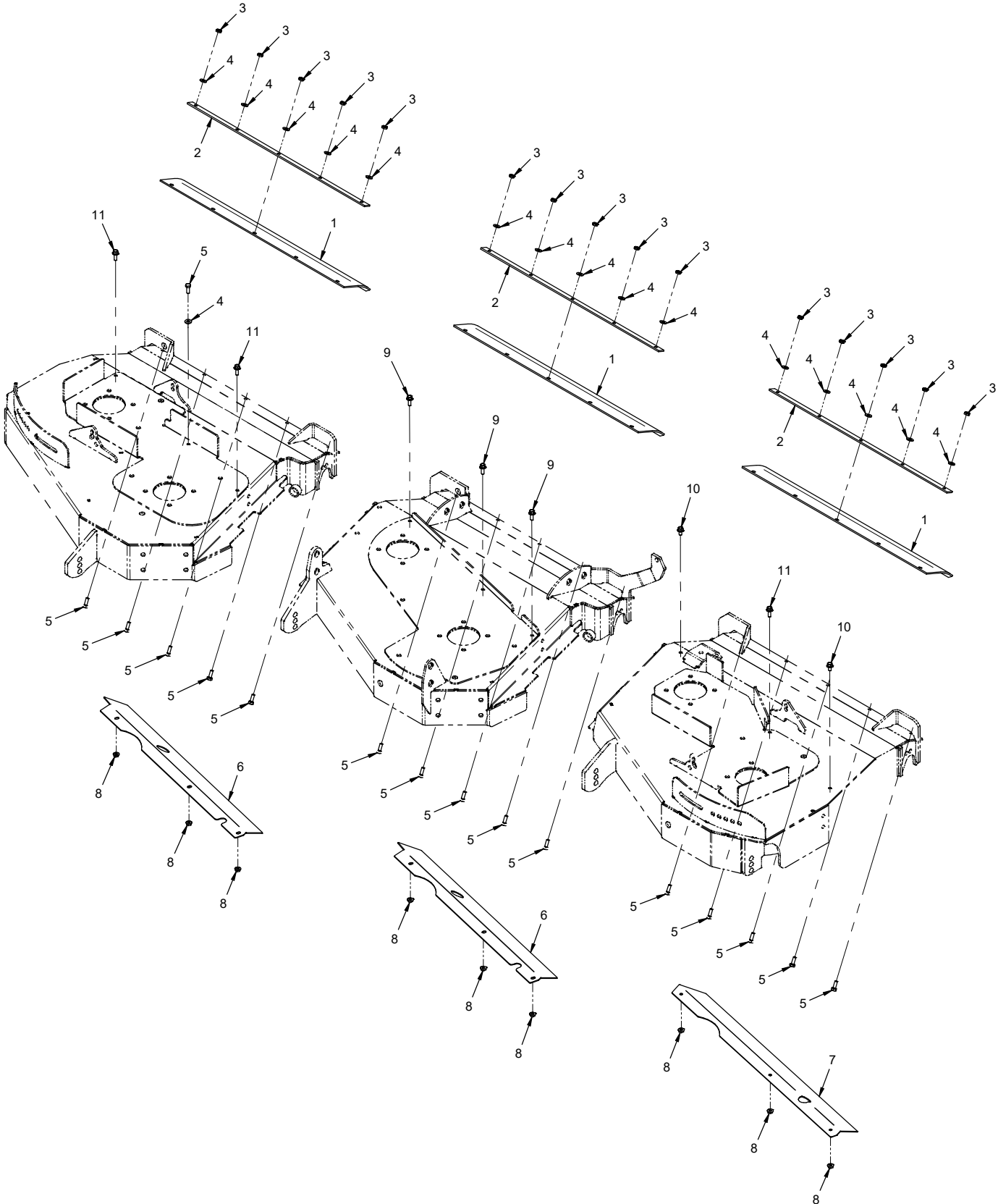
PARTS

Rear Rollers

REF.	PART NO.	DESCRIPTION	QTY.
1	64.1425	.PLATE, ROLLER HEIGHT ADJUST	4
2	64.1402	.MOUNT, ROLLER HEIGHT ADJ RIGHT	1
3	95.06	.WASHER, FLAT 3/8 SAE	12
4	90.0610	.BOLT, 3/8-16 USS X 1-1/4	6
5	99.A06N	.LOCKNUT, NYLON 3/8-16 USS	6
6	70.8138	.KIT, ROLLER ASSEMBLY MJ840 (Serial # 1001-1871)	3
6	80.0383	.ROLLER, REAR MJ840 COMPLETE (Serial # 1872-)	3
7	64.1403	.MOUNT, ROLLER HEIGHT ADJ. LEFT	1
8	96.06	.WASHER, LOCK 3/8	6
9	99.K0104	.BOLT, 3/8-24 X 1 GRD 8	6
25	80.0372	.ROLLER, REAR DECK - MJ840	1
26	42.0537	.SHAFT, REAR ROLLER	1
27	53.0135	.COLLAR, ROLLER END CAP	2
28	55.0069	.BEARING, BALL .625 IN X 40MM	2
29	29.GF0001	.GREASE FTG, 1/4 SAE ST	2
30	85.SS11	.SET SCREW, 1/4-28 X 3/8"	4
31	26.0029	.O-RING, 1-5/16 X 1-9/16 X 1/8	2
32	26.0028	.O-RING, 5/8 ID X 3/4 OD X 1/16	2
33	96.06	.WASHER, LOCK 3/8	2
34	99.K0104	.BOLT, 3/8-24 SAE X 1 GRADE 8	2
35	05.0112	.WASHER, NYLON .635ID X1OD X1/4	2
40	80.0384	.SHAFT, 80.0383 ROLLER	1
41	55.0093	.BEARING, 80.0383 ROLLER	2
42	04.0036	.SNAP RING, EXT .575 ID X .05THK	4
43	89.0101	.SEAL, 80.0383 ROLLER ENDCAP	4
44	80.0385	.ENDCAP, 80.0383 ROLLER	2
45	99.B0114	.SHIM, 5/8"X1"X .032 THK SS	2
46	80.0383-1	.KIT, OVERHAUL 80.0383 ROLLER	1

PARTS

ILLUSTRATED DRAWING Discharge Deflectors & Rear Belting



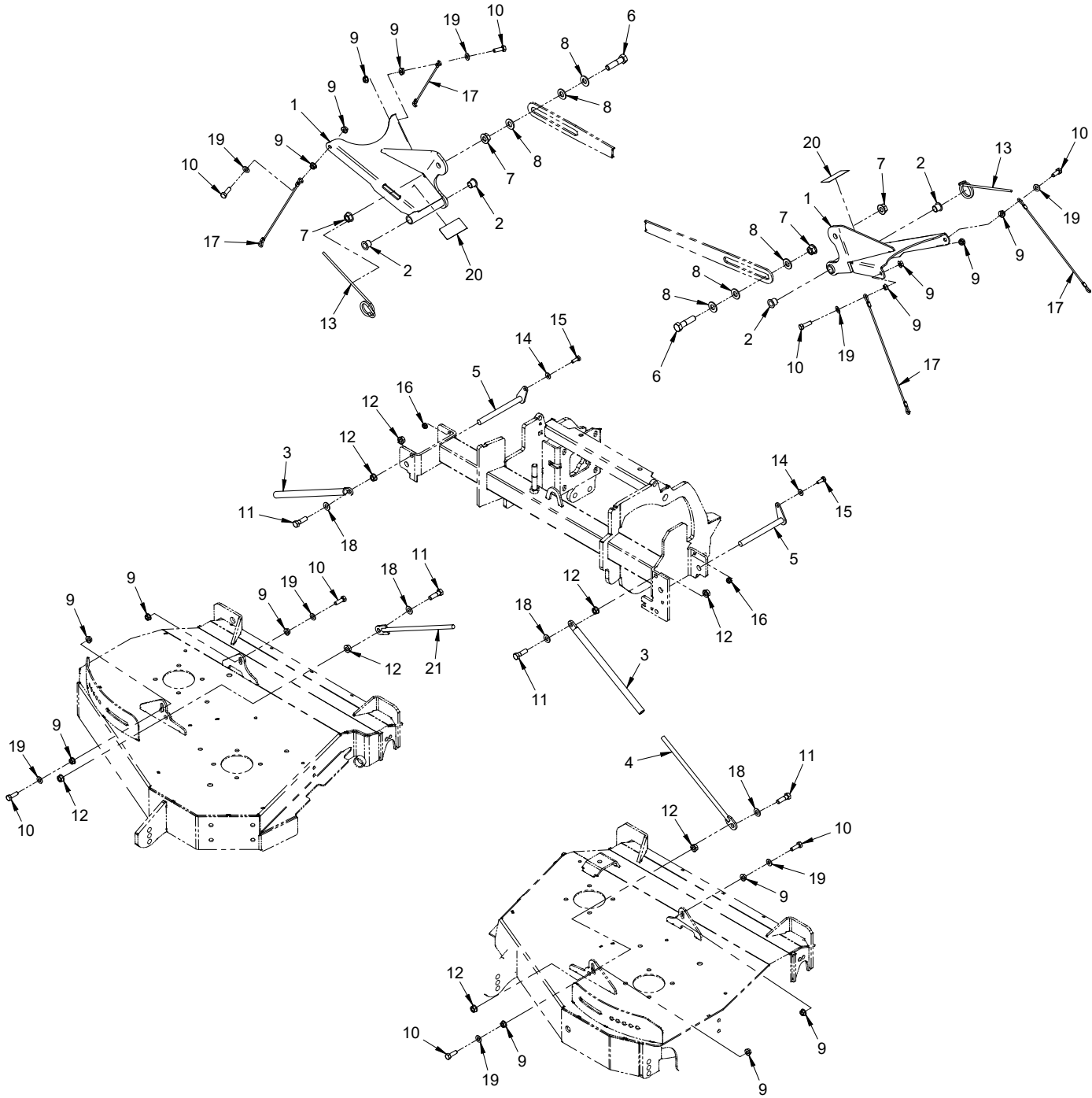
PARTS

Discharge Deflectors & Rear Belting

REF.	PART NO.	DESCRIPTION	QTY.
1	44.0251	.BELTING, REAR DISCHARGE	3
2	64.1422	.CLAMP, REAR BELTING	3
3	99.A04	.LOCKNUT, STOVER 1/4-20 USS	15
4	95.04	.WASHER, FLAT 1/4 SAE	16
5	90.0406	.BOLT, 1/4-20 USS X 3/4	16
6	60.1035	.DEFLECTOR, DECK DISCHARGE R/C	2
7	60.1036	.DEFLECTOR, DECK DISCHARGE LEFT	1
8	99.SF04	.NUT, SRF 1/4-20 USS	9
9	99.SF0404	.BOLT, SRF 1/4-20 X 1/2 (Serial # 1001-2059)	3
9	99.SF0406	.BOLT, SRF 1/4-20 X 3/4 (Serial # 2060-)	3
10	99.SF0404	.BOLT, SRF 1/4-20 X 1/2	2
11	99.SF0404	.BOLT, SRF 1/4-20 X 1/2 (Serial # 1001-2339)	3
11	99.SF0406	.BOLT, SRF 1/4-20 X 3/4 (Serial # 2340-)	3

PARTS

ILLUSTRATED DRAWING Deck Wing Lift Arms



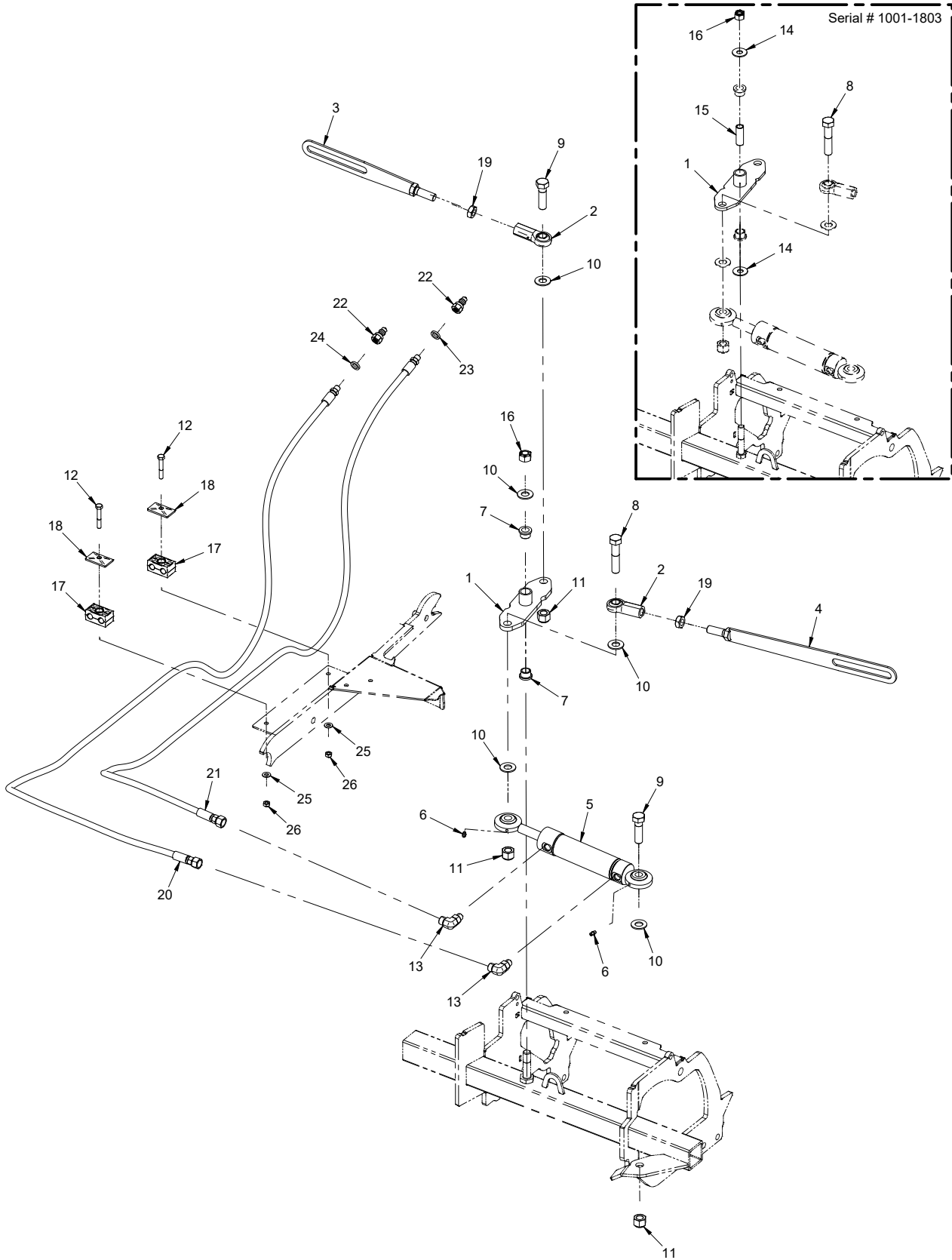
PARTS

Deck Wing Lift Arms

REF.	PART NO.	DESCRIPTION	QTY.
1	62.1300	LIFT ARM, OUTSIDE DECK WING (Serial # 1001-1875)	2
1	62.1427	LIFT ARM, OUTSIDE DECK WING (Serial # 1876-)	2
2	85.B0027	BUSHING, 1/2 ID X 5/8 OD X 5/8	4
3	64.1406	LIMITER, DECK HINGE UPPER	2
4	64.1405	LIMITER, DECK HINGE LOWER L	1
5	64.1404	PIN, LIFT ARM PIVOT	2
6	90.0816	BOLT, 1/2-13 USS X 2	2
7	99.SF08	NUT, SRF 1/2-13 USS	4
8	95.08	WASHER, FLAT 1/2 SAE	6
9	99.SF05	NUT, SRF 5/16-18 USS	16
10	90.0508	BOLT, 5/16-18 USS X 1	8
11	90.0610	BOLT, 3/8-16 USS X 1 1/4	4
12	99.SF06	NUT, SRF 3/8-16 USS	8
13	41.0111	SPRING, TORSION LH 1-3/16 ID X 7	2
14	95.04	WASHER, FLAT 1/4 SAE	2
15	90.0406	BOLT, 1/4-20 USS X 3/4	2
16	99.SF04	NUT, SRF 1/4-20 USS	2
17	45.0047	CABLE, 1/8 X 12 SS W/3/8 LOOPS (Serial # 1001-2339)	4
17	45.0055	CABLE, 1/8 X 12 SS STAMPED END (Serial # 2340-)	4
18	95.06	WASHER, FLAT 3/8 SAE	4
19	95.05	WASHER, FLAT 5/16 SAE	8
20	00.0218	DECAL, WARNING PINCH POINT (Serial # 1001-4163)	2
20	00.0364	DECAL, WARNING PINCH POINT (Serial # 4164)	2
21	64.1405	LIMITER, DECK HINGE LOWER (Serial # 1001-1221)	1
21	64.1658	LIMITER, DECK HINGE LOWER R (Serial # 1222-)	1

PARTS

ILLUSTRATED DRAWING Deck Wing Lift Arm Hydraulics



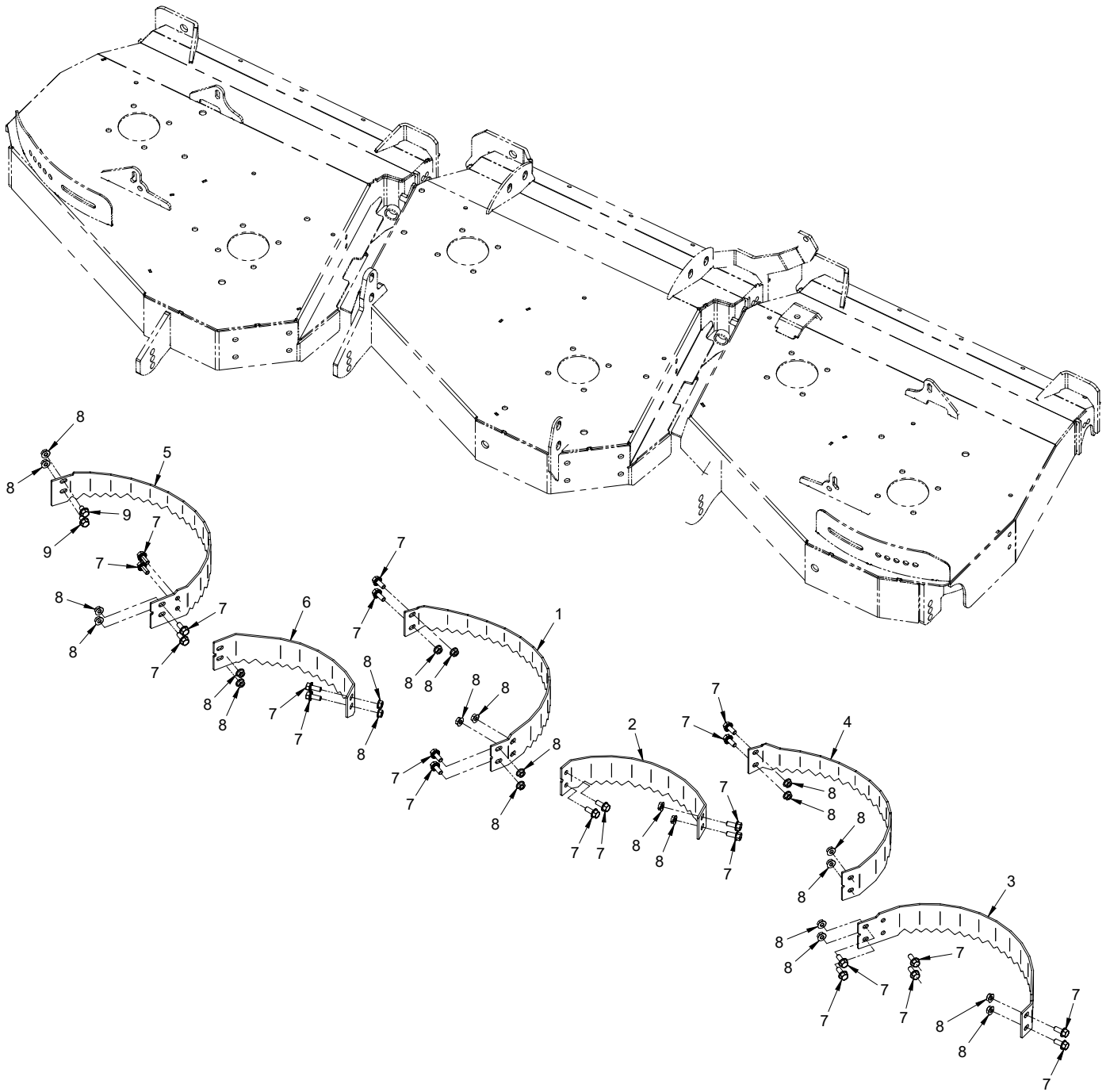
PARTS

Deck Wing Lift Arm Hydraulics

REF.	PART NO.	DESCRIPTION	QTY.
1	42.0532	.PIVOT, LIFT LINK MJ (Serial # 1001-1803)	1
1	42.0574	.PIVOT, LIFT LINK MJ (Serial # 1804-)	1
2	43.010	.ROD END, 5/8 SPHERICAL	2
3	42.0531	.LINK, LIFT ARM RIGHT DECK	1
4	42.0530	.LINK, LIFT ARM LEFT DECK	1
5	23.0130	.CYLINDER, 1-1/2" X 5"	1
6	29.GF0001	.GREASE FTG, 1/4 SAE ST	2
7	85.B0065	.BUSHING, 5/8 IDX13/16 ODX5/8LG	2
8	91.1024	.BOLT, 5/8-18 SAE X 3 (Serial # 1001-1803)	1
8	91.1026	.BOLT, 5/8-18 SAE X 3-1/4 (Serial # 1804-)	1
9	91.1018	.BOLT, 5/8-18 SAE X 2 1/4	2
10	95.10	.WASHER, FLAT 5/8 SAE (Serial # 1001-1803)	4
10	95.10	.WASHER, FLAT 5/8 SAE (Serial # 1804-)	5
11	99.A10NFN	.LOCKNUT, NYLON 5/8-18 SAE ZP	3
12	90.0516	.BOLT, 5/16-18 USS X 2	2
13	25.FF6801-06-06	.FITTING, 90 - 6 MFF X 6 MB	2
14	94.07	.WASHER, FLAT 7/16 USS (Serial # 1001-1803)	2
15	64.1427	.BUSHING, .495 ID X 5/8 OD X 1-3/4 SS (Serial # 1001-1803)	1
16	99.A08N	.LOCKNUT, NYLON 1/2-13 USS (Serial # 1001-1803)	1
16	99.A10	.LOCKNUT, STOVER 5/8-11 USS (Serial # 1804-)	1
17	44.0256	.CLAMP, HYD HOSE 12.7MM ID GRN	2
18	44.0229	.COVER PLATE, 2D GROUP	2
19	99.E0011	.NUT, JAM 5/8 SAE	2
20	20.0284	.HOSE ASM, 1/4 X 73 SAE 100R17	1
21	20.0285	.HOSE ASM, 1/4 X 66 SAE 100R17	1
22	23.0104	.COUPLER, HYDRAULIC QUICK - 1/4 MALE	2
23	05.0117	.WASHER, .544 ID X .817 X .14 YEL	1
24	05.0116	.WASHER, .544 ID X .817 X .14 RED	1
25	95.05	.WASHER, FLAT 5/16 SAE	2
26	99.A05	.LOCKNUT, STOVER 5/16-18 USS	2

PARTS

ILLUSTRATED DRAWING 70.8087 Mulching Kit



PARTS

70.8087 Mulching Kit

REF.	PART NO.	DESCRIPTION	QTY.
1	64.1418	.RING, RIGHT MULCH -CENTER DECK	1
2	64.1419	.RING, LEFT MULCH - CENTER DECK	1
3	64.1421	.RING, LEFT MULCH - LEFT DECK	1
4	64.1420	.RING, RIGHT MULCH - LEFT DECK	1
5	64.1416	.RING, RIGHT MULCH - RIGHT DECK	1
6	64.1417	.RING, LEFT MULCH - RIGHT DECK	1
7	99.SF0506	.BOLT, SRF 5/16-18 USS X 3/4	22
8	99.SF05	.NUT, SRF 5/16-18 USS	24
9	99.SF0504	.BOLT, SRF 5/16-18USS X 1/2	2